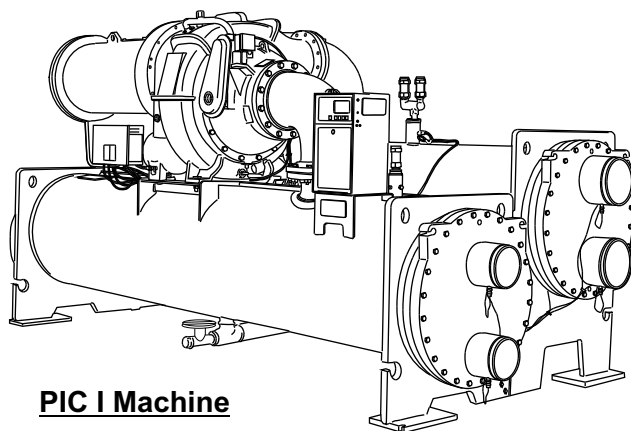
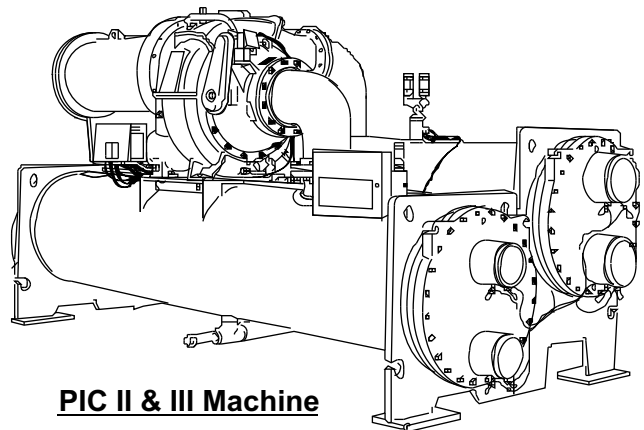


This service part guide includes information for the 19XR & 19XRV machines with frame #5 compressor with frame #7 or #8 vessels.



**PIC I Machine**



**PIC II & III Machine**

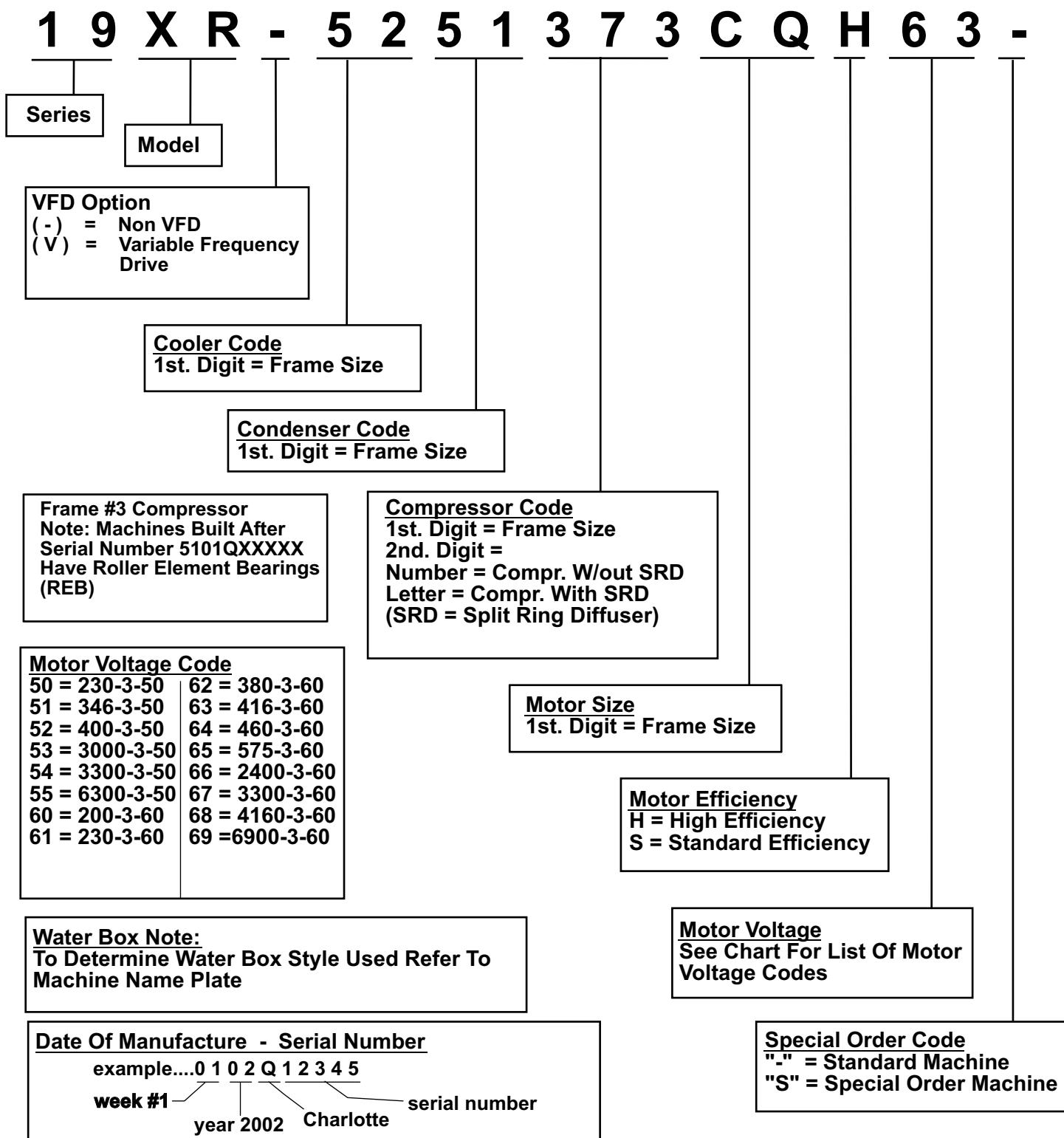
### **How To Use This Catalog**

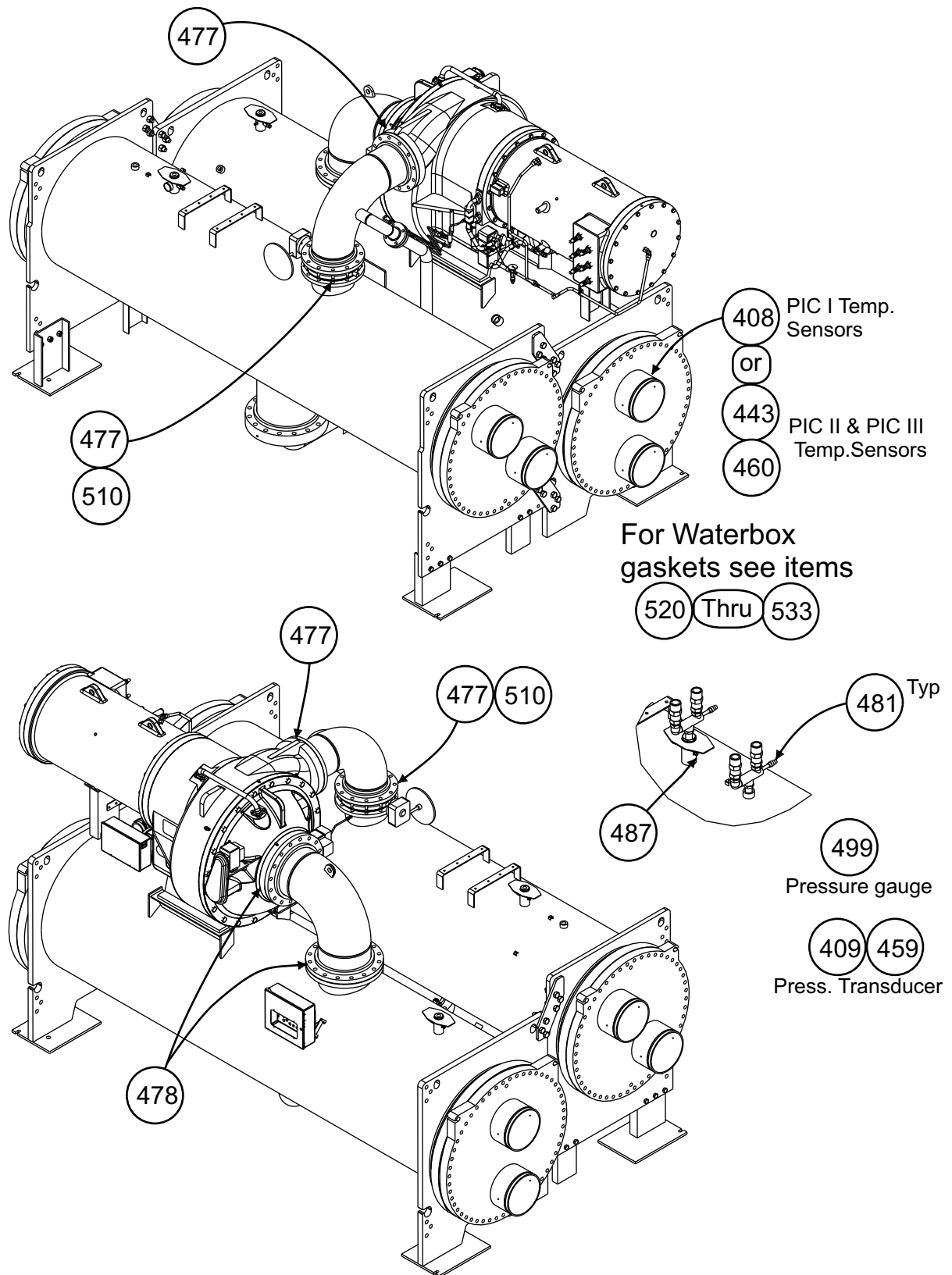
1. This Catalog Presents The Most Commonly Used Specified Replacement Parts For The Standard 19XR Centrifugal Refrigeration Machine And Is Not Applicable To Any Special Order Machines. (Contact Carrier With Machine Serial Number For Any Special Order Machine Parts.)
2. Occasionally, Due To Limitations Of Illustrations Used, A Part May Not Be Illustrated. These Parts Are Identified by "N" In The Column Next To The Item Number.
3. The Following Parts Are Not Listed In This Catalog:
  - A. Impellers, Shrouds, Diffusers
  - B. Compressor Motor (Rotor & Stator)
  - C. Evaporator Tube Part Number
  - D. Condenser Tube Part Number

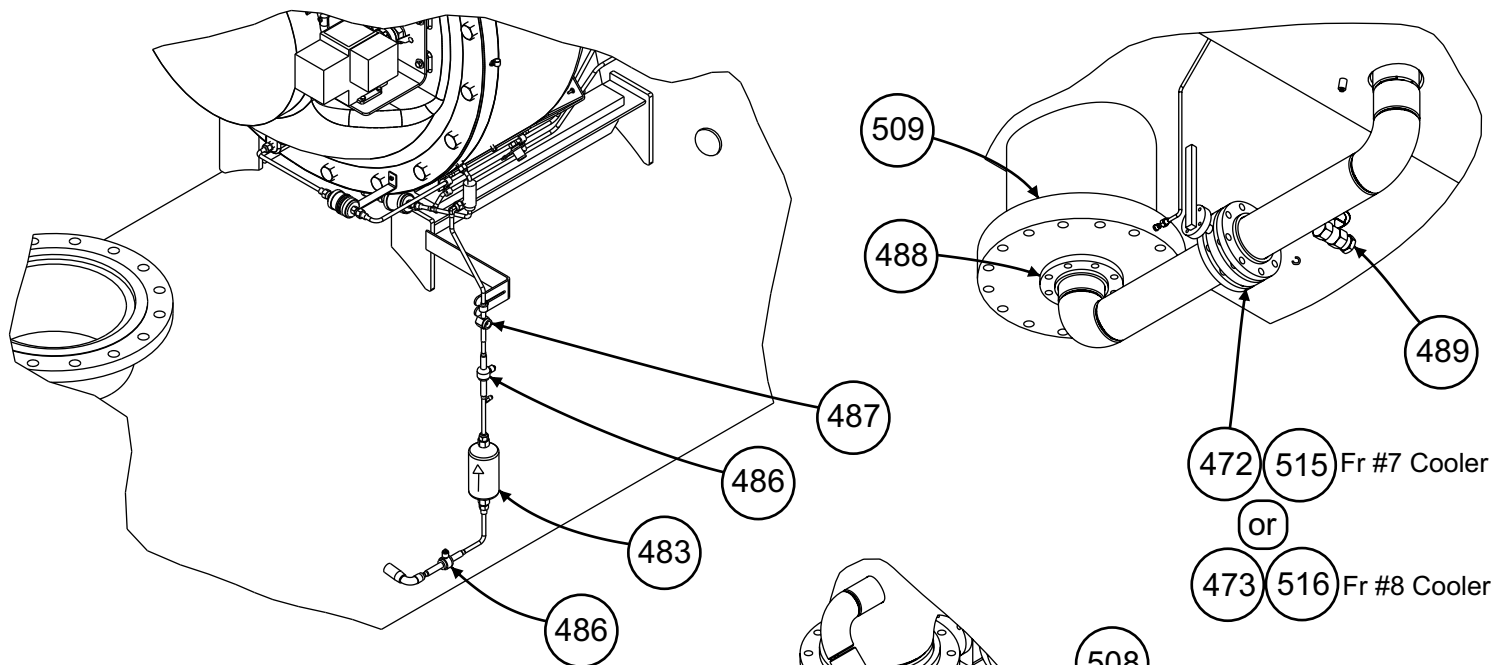
If Any Of These Parts Are Required, Contact Your RCD Customer Service Representative With The Model Number And Serial Number Of Your Machine.

4. Positive Identification Of Your Machine To Properly Select Parts May Be Done By Referring To Machine Name Plate, See Significance Chart On Page #2 (Graphic 19068002)

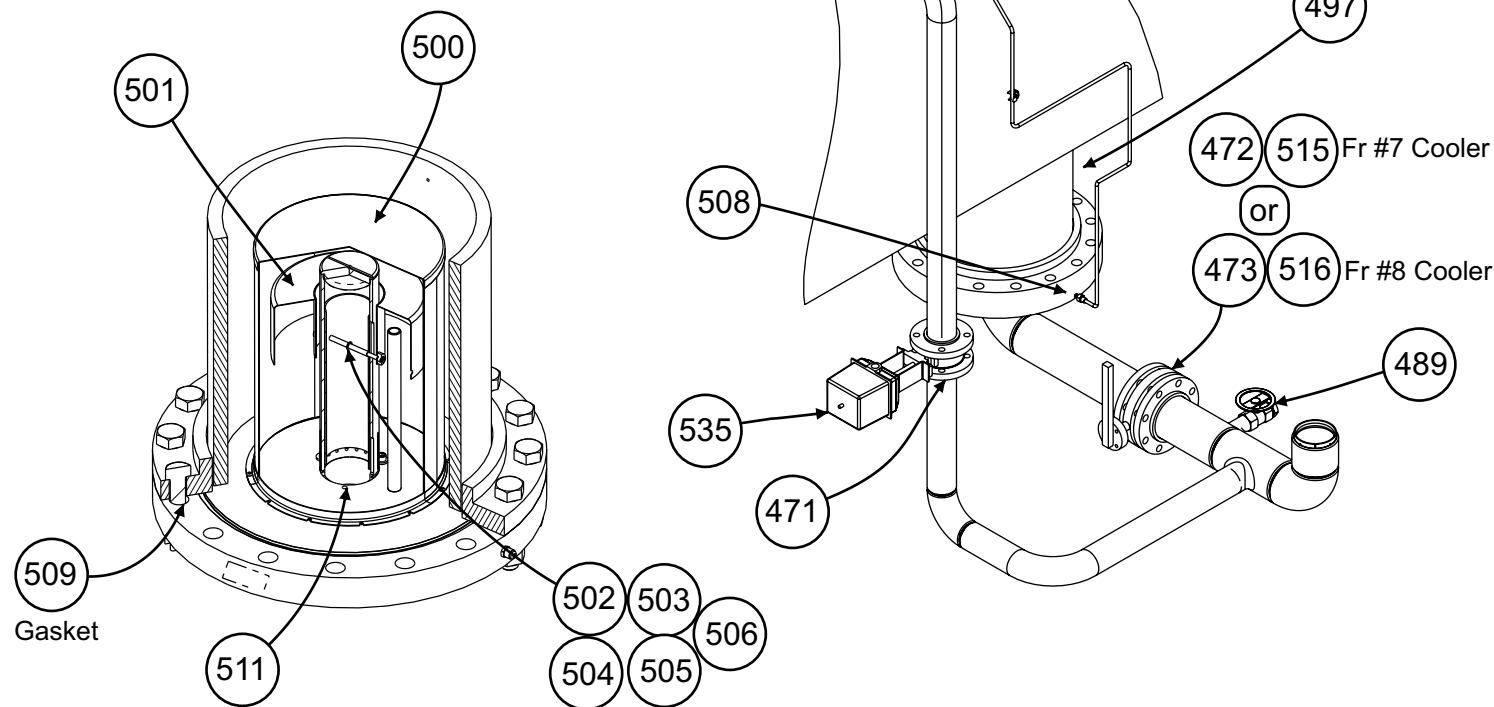
## Model Number Significance Chart

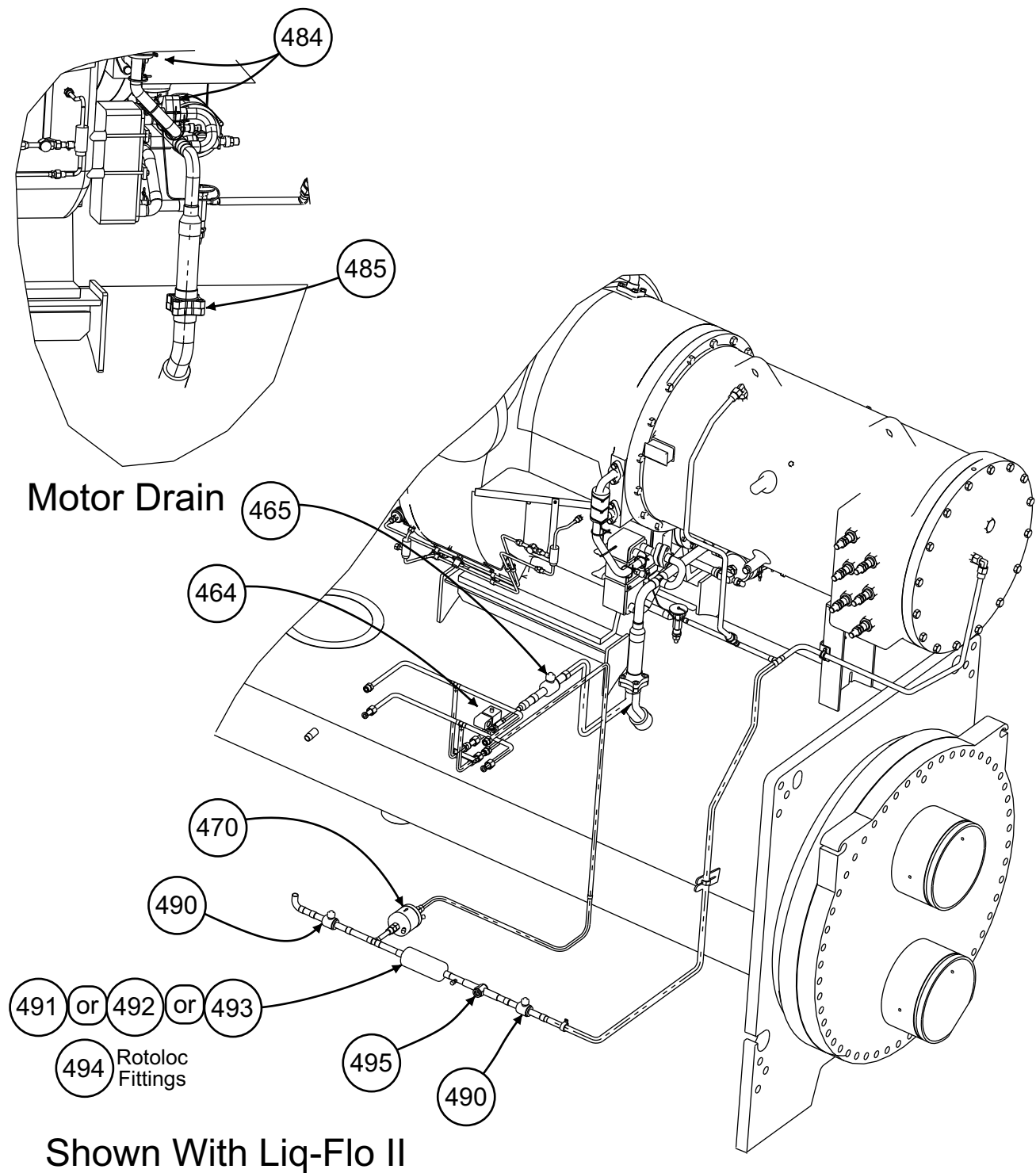


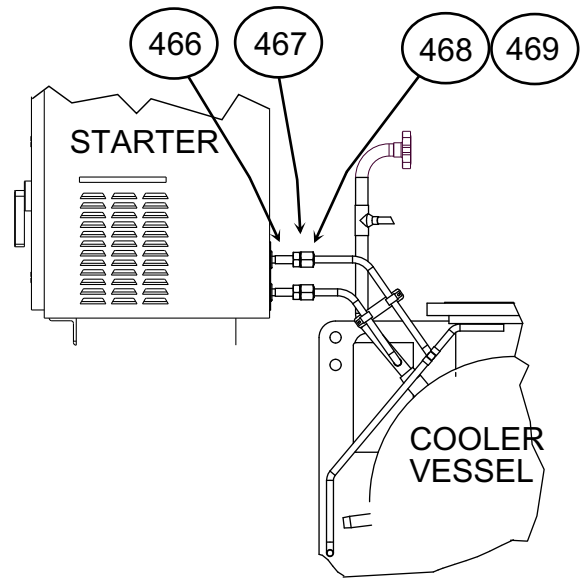




### Oil Reclaim Line "Skimmer Line"

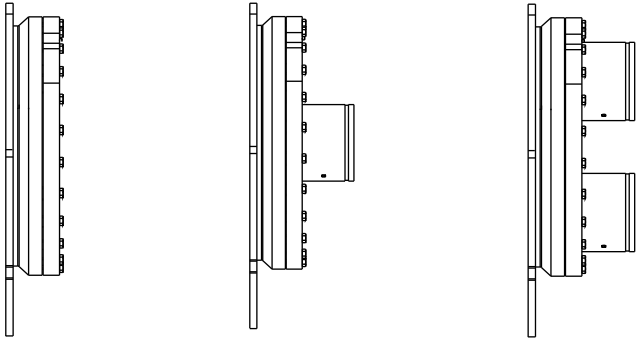






19XRV VFD  
COOLING CONN.  
(Liquid FLO 1 & FLO 2)

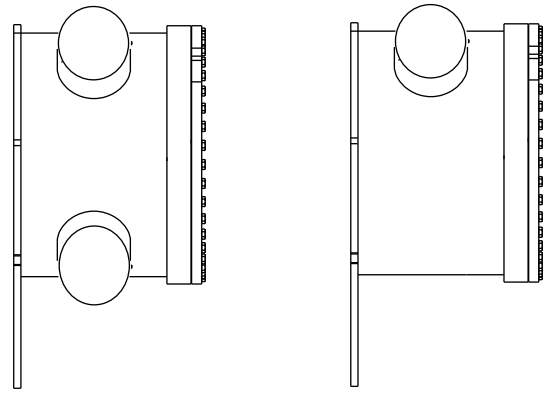
THREADED CONNECTOR  
CONFIGURATION



Blanked Head

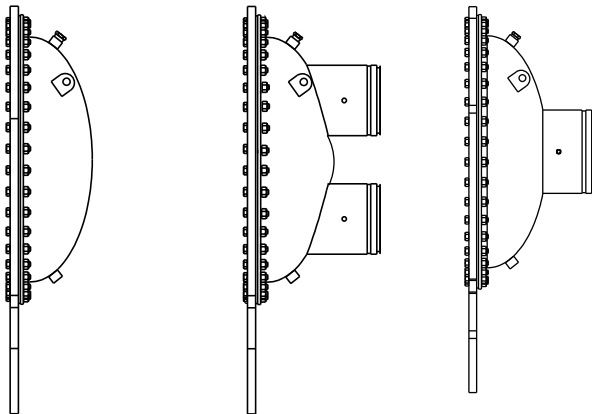
521 or 522 or 523 or 524

Nozzle In Head Style Waterboxes



525 or 526 or 527 or 528

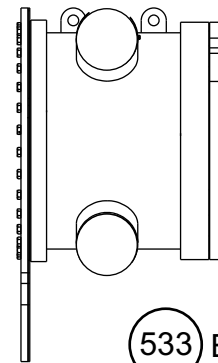
Marine Style Waterboxes



Blanked Head

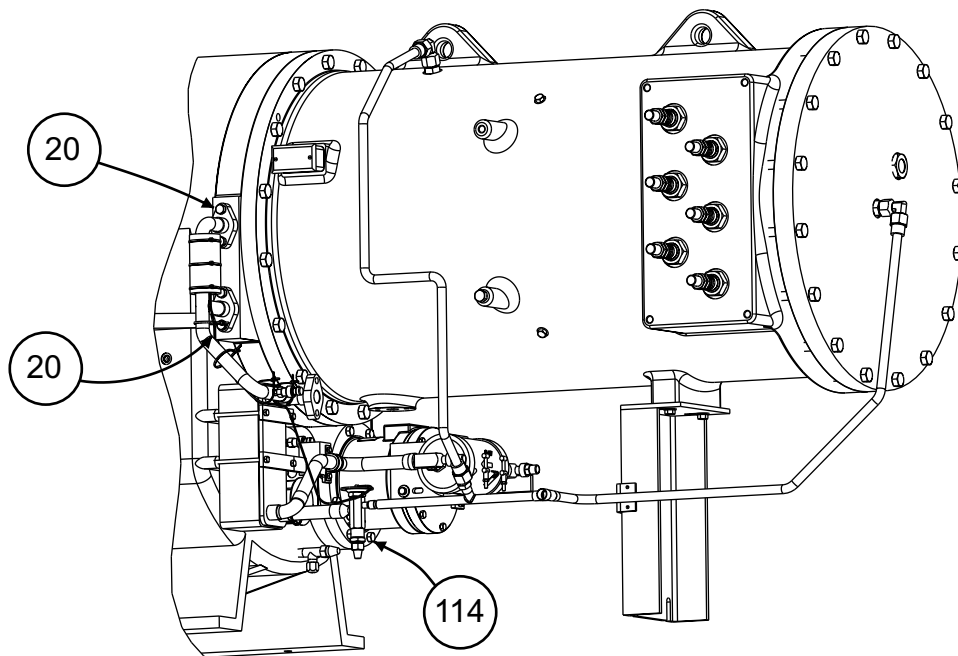
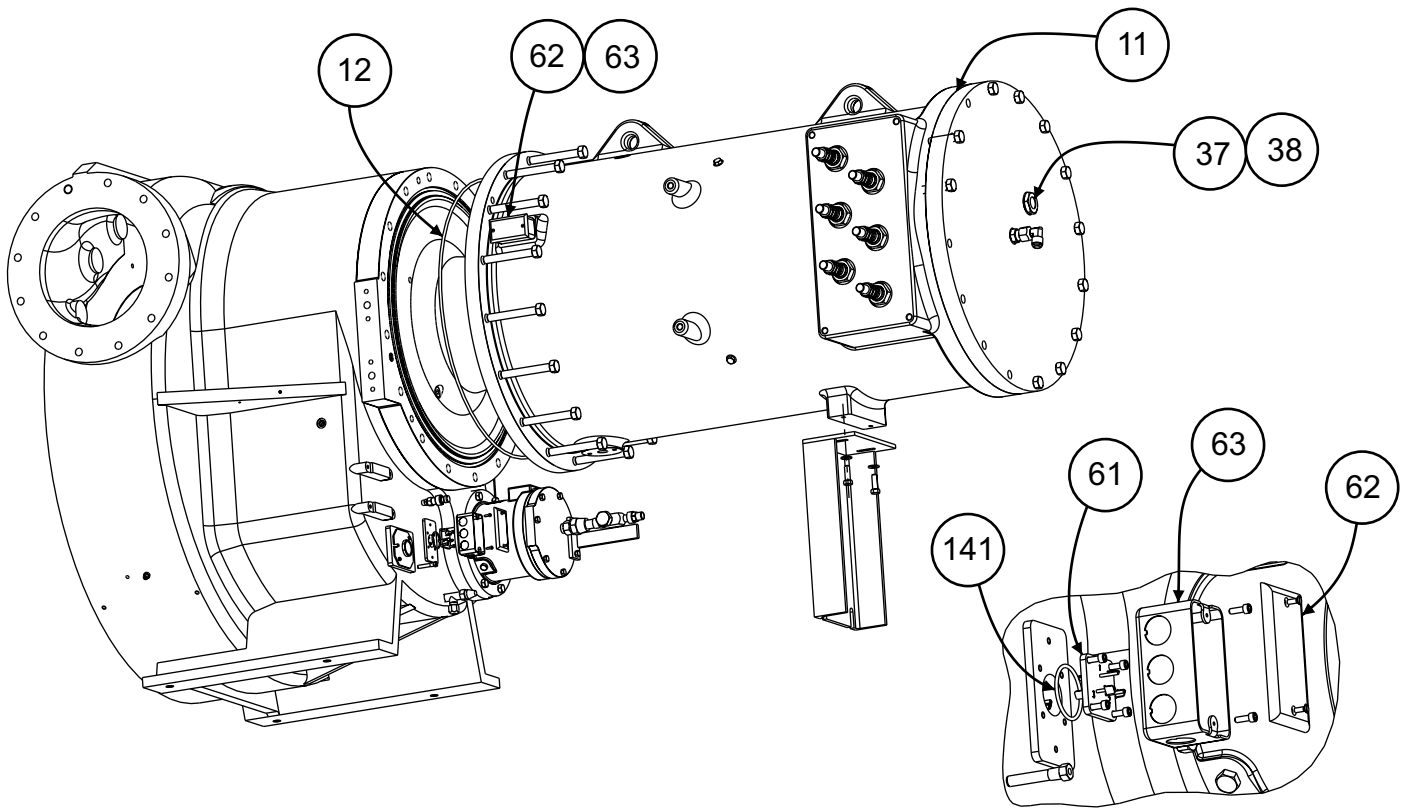
529 or 530 or 531 or 532

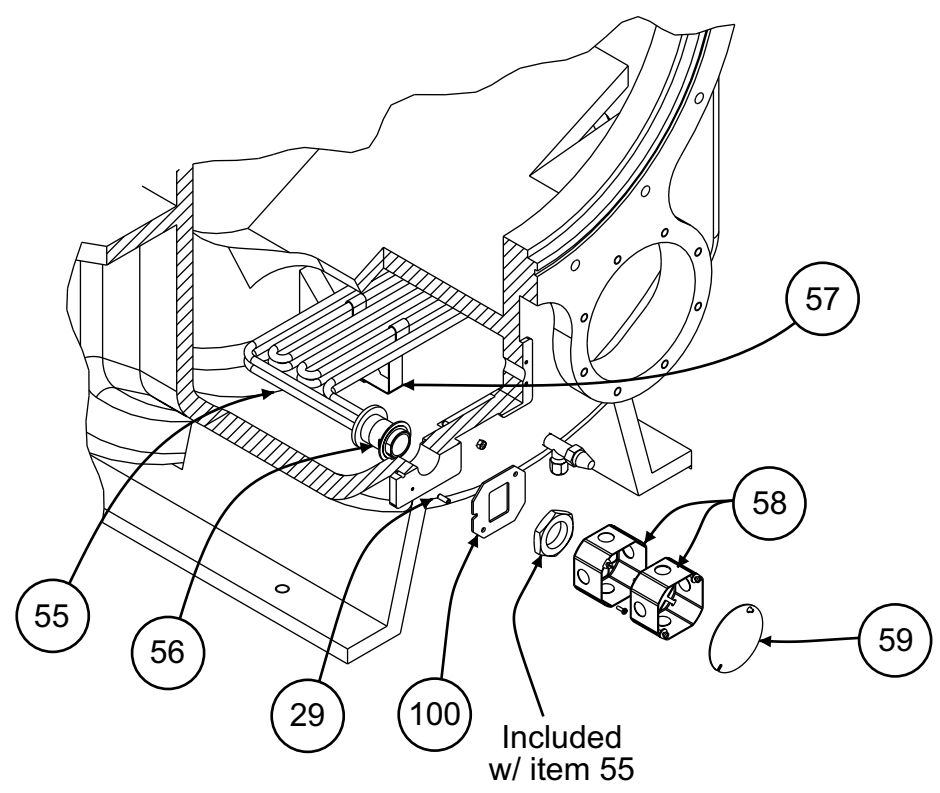
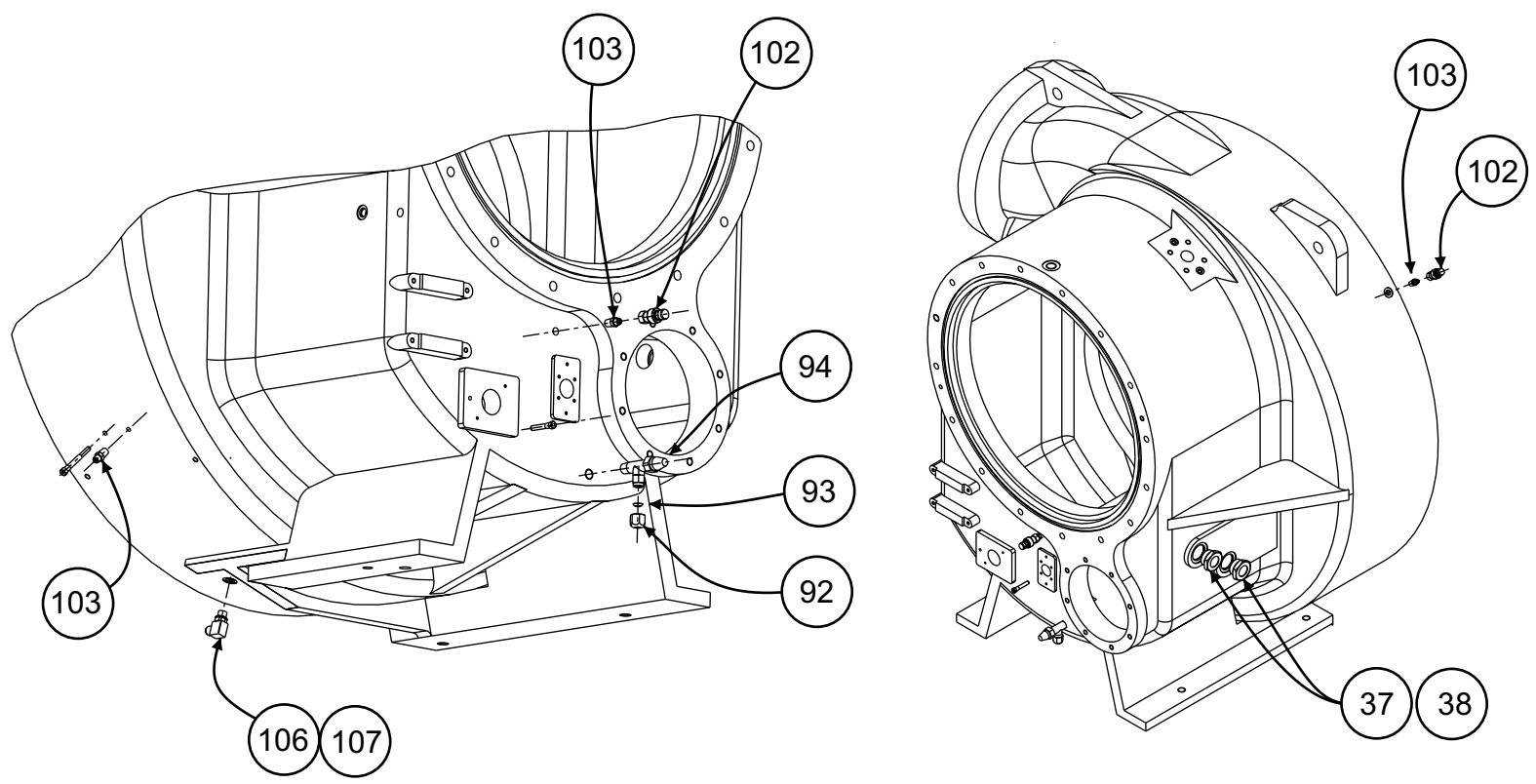
Dished Head Style Waterboxes

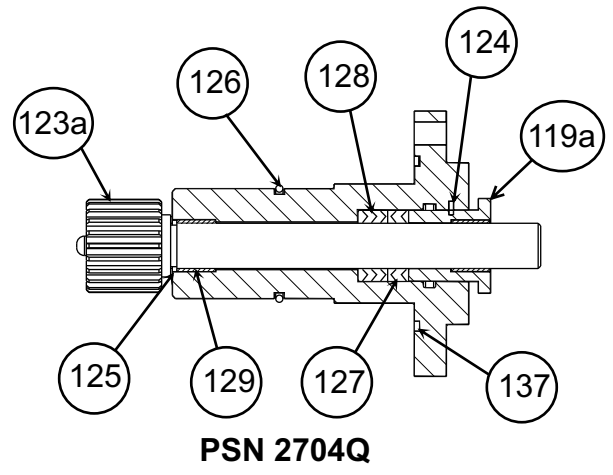
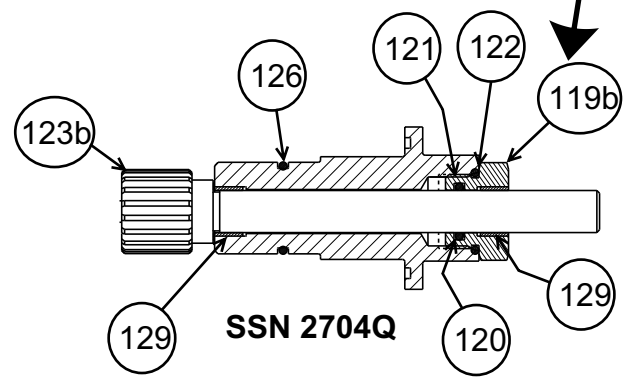
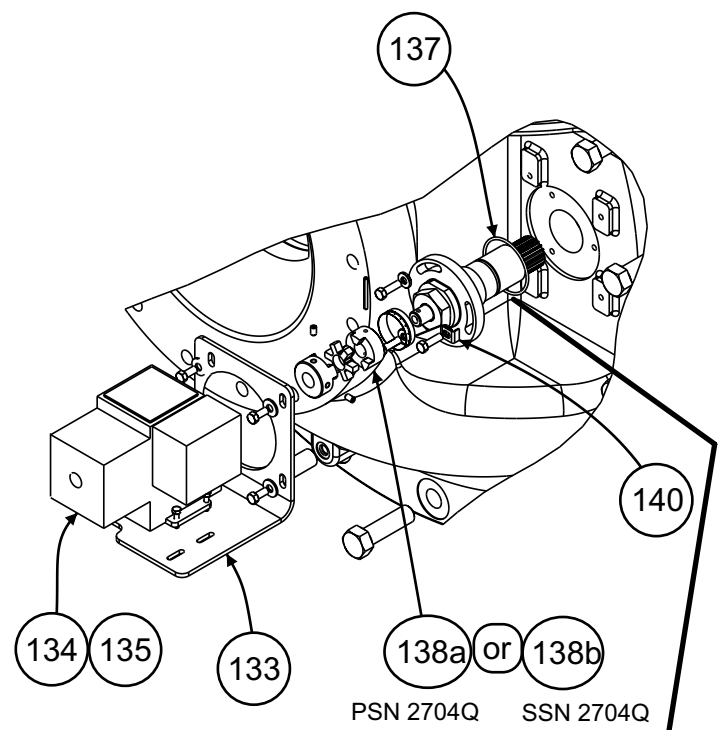
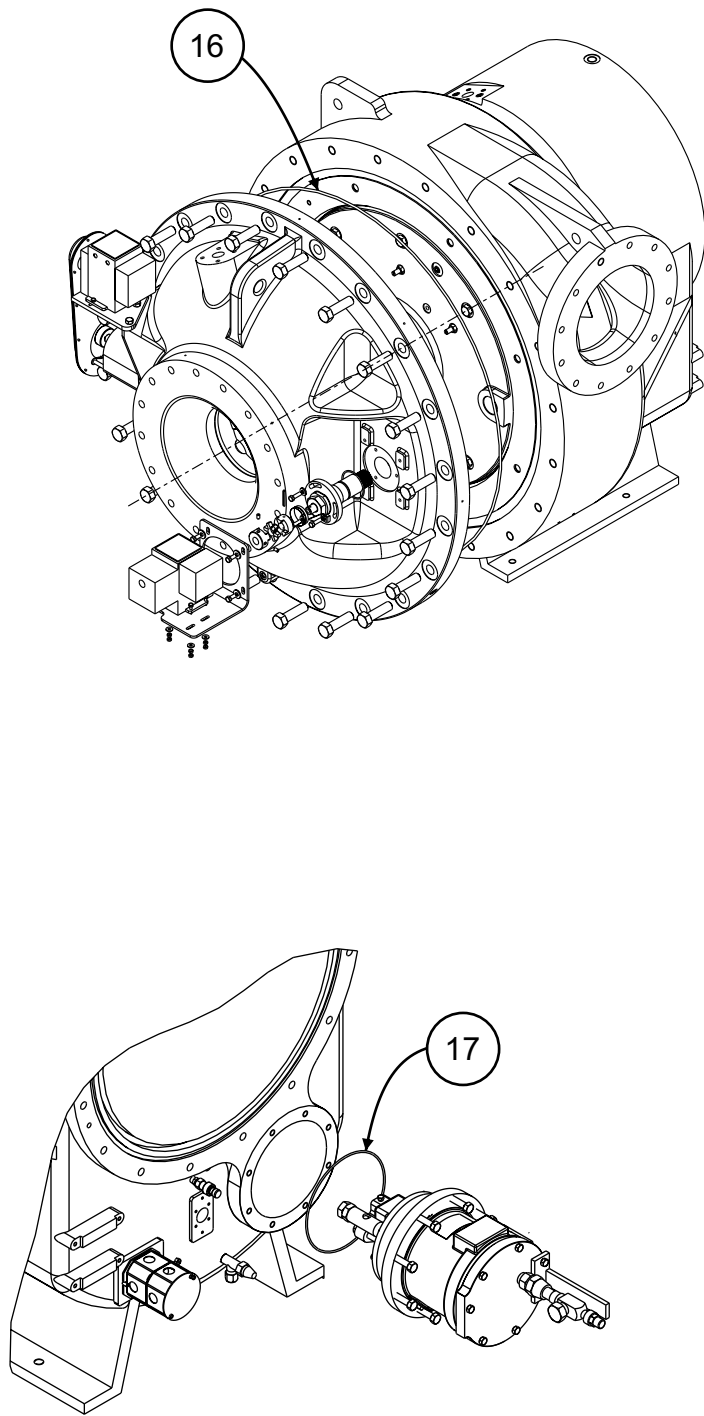


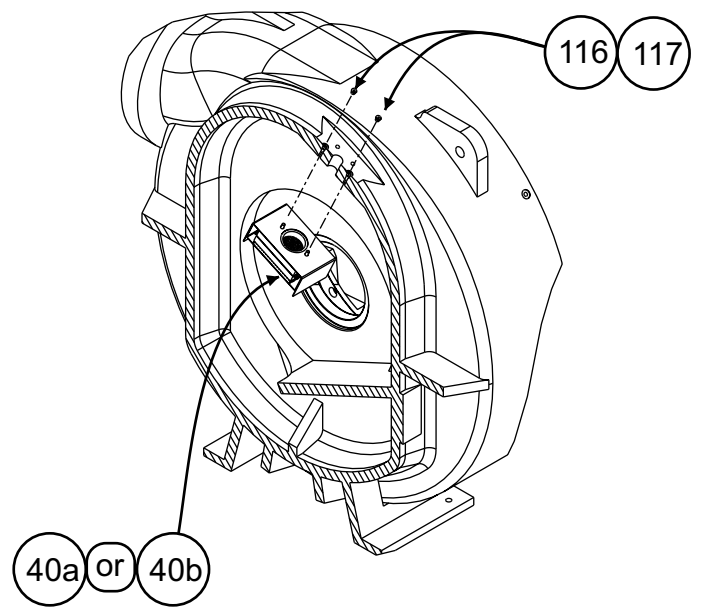
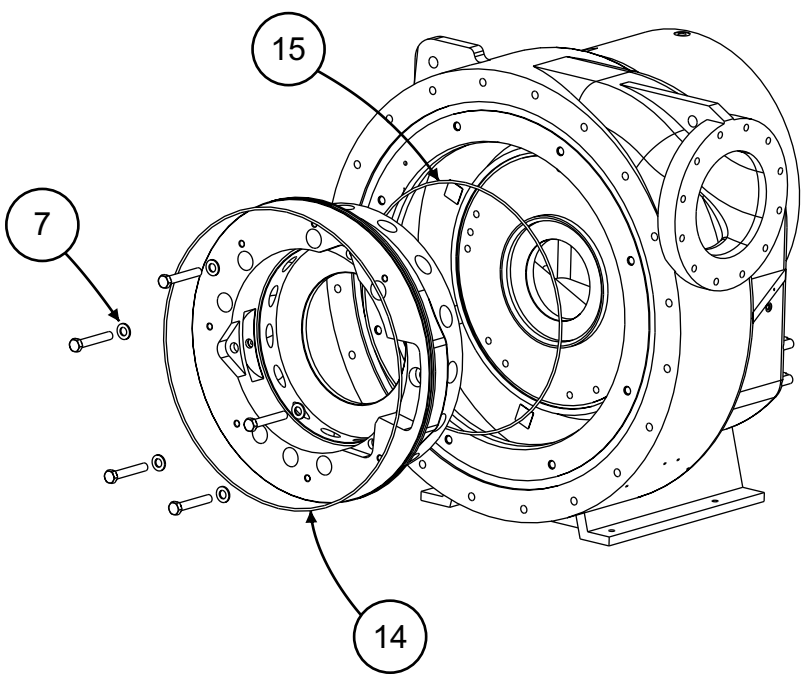
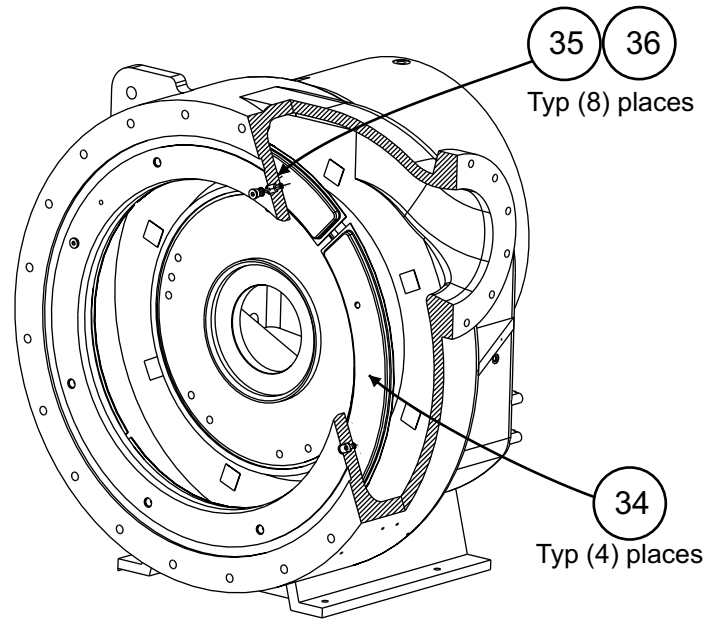
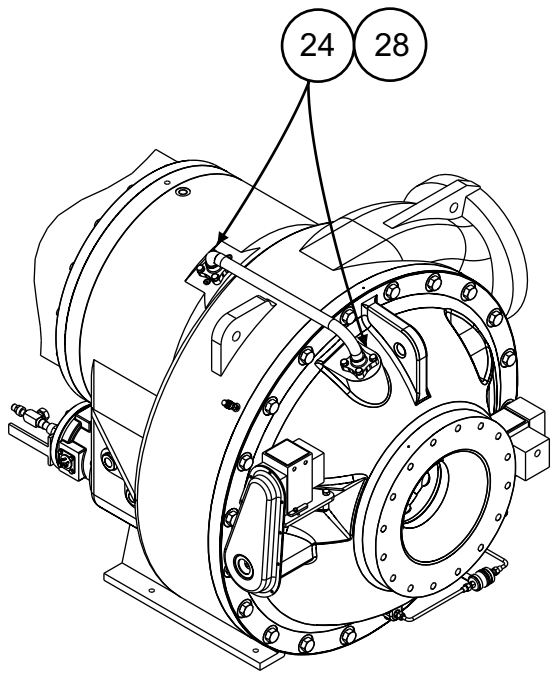
533 Both locations

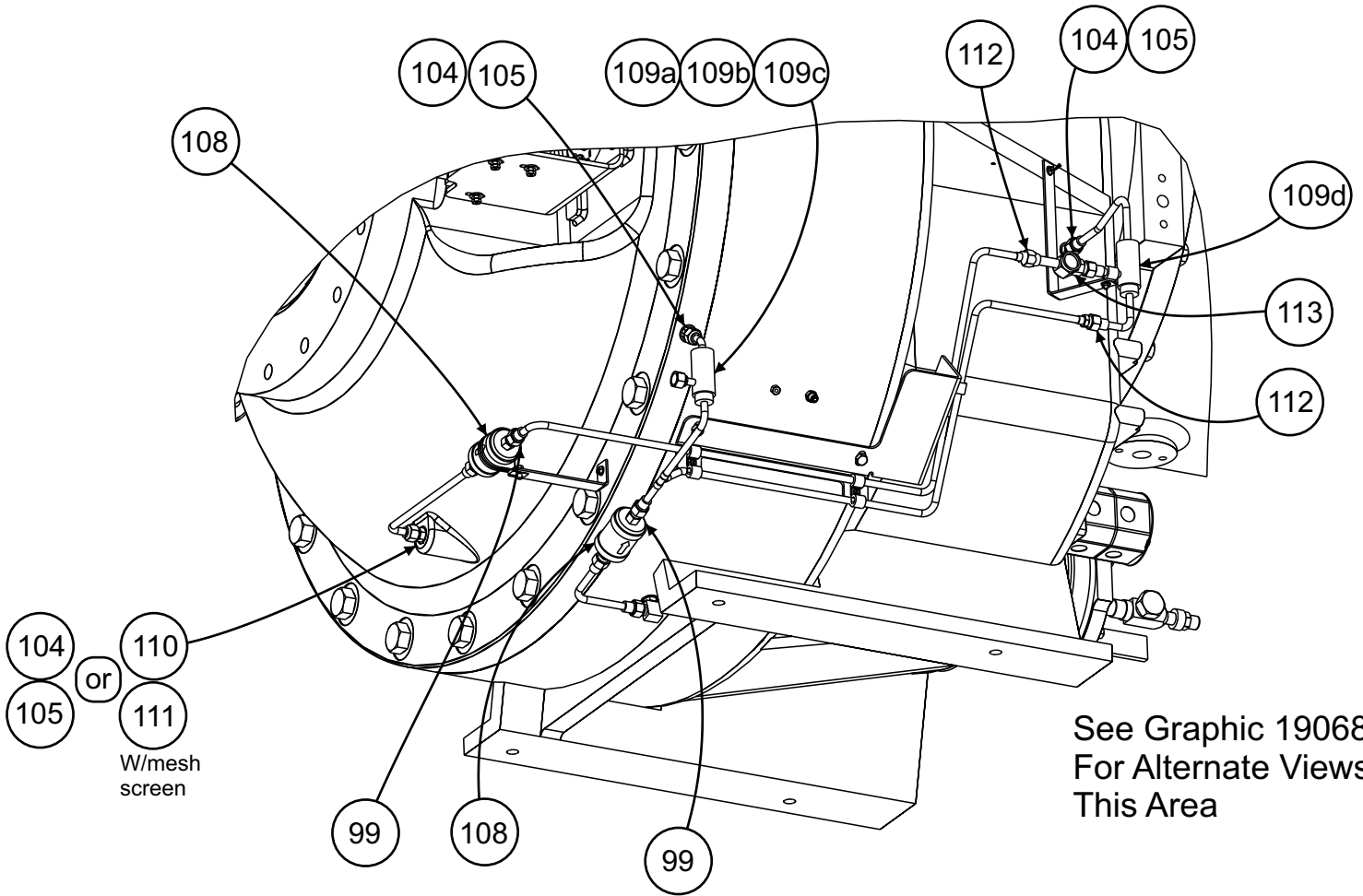
Bolted On Marine Style Waterboxes



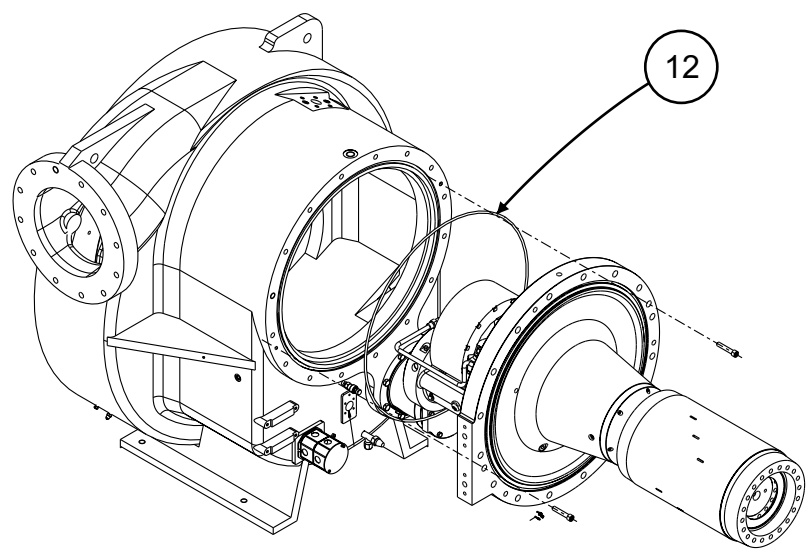


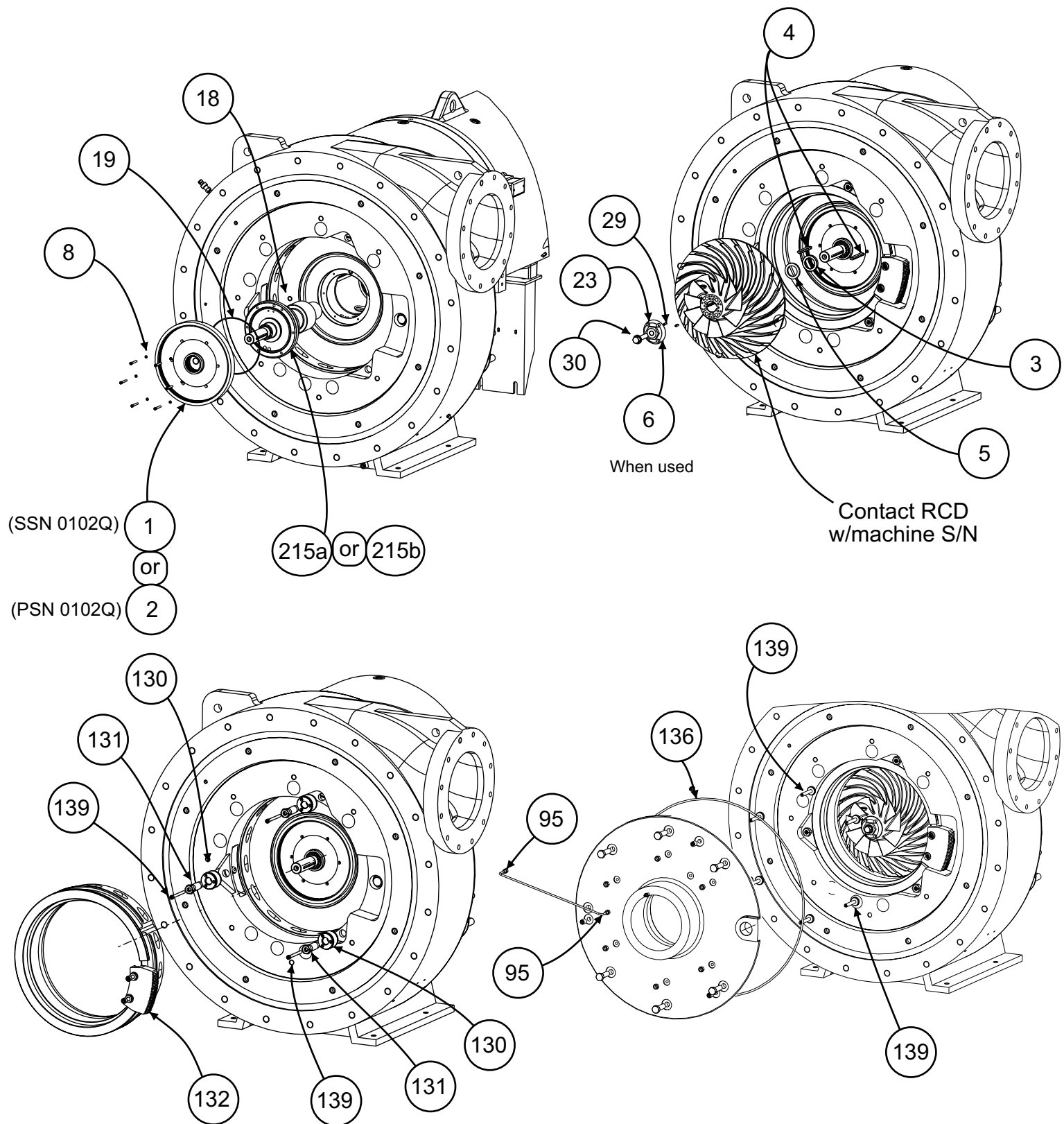


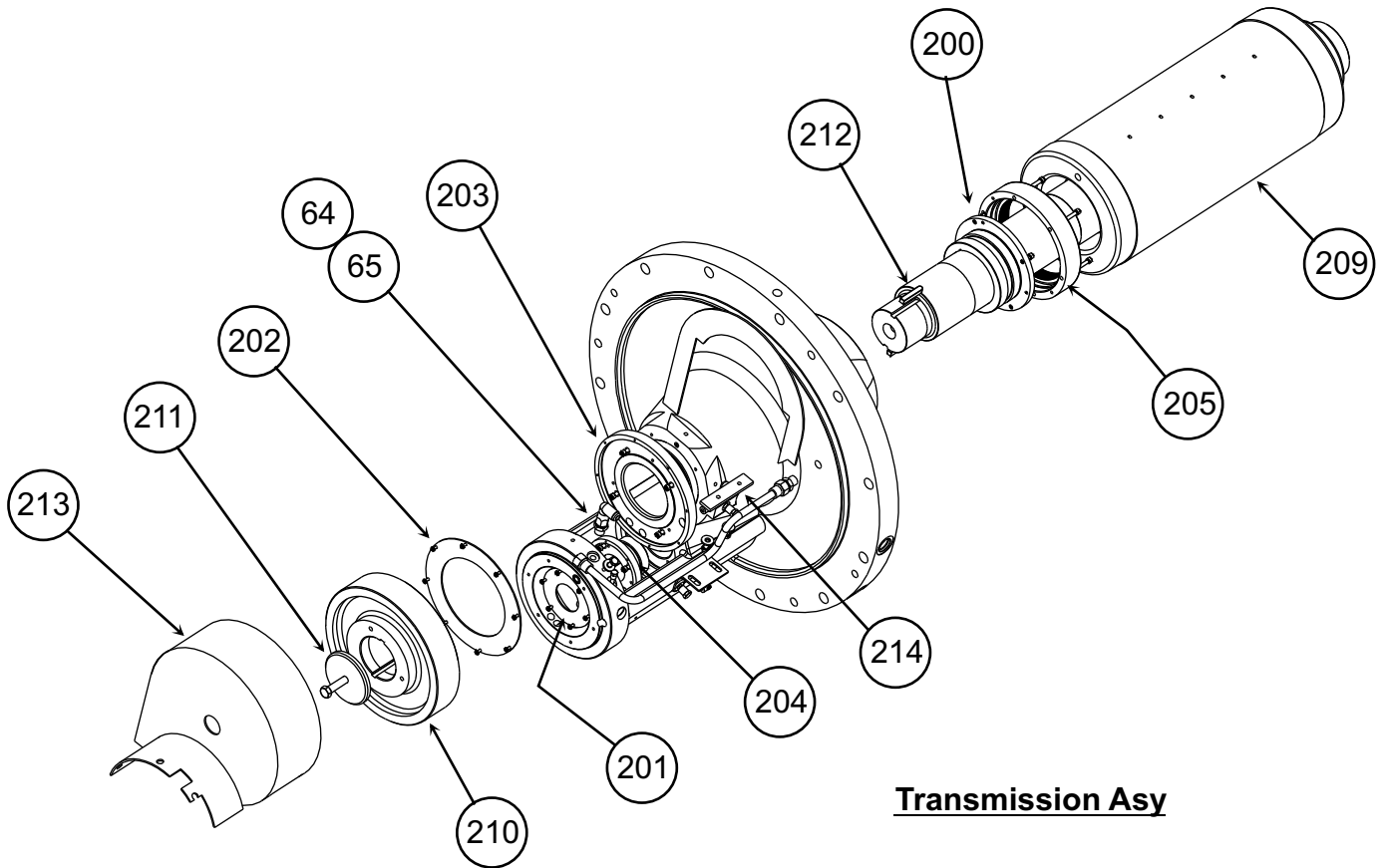




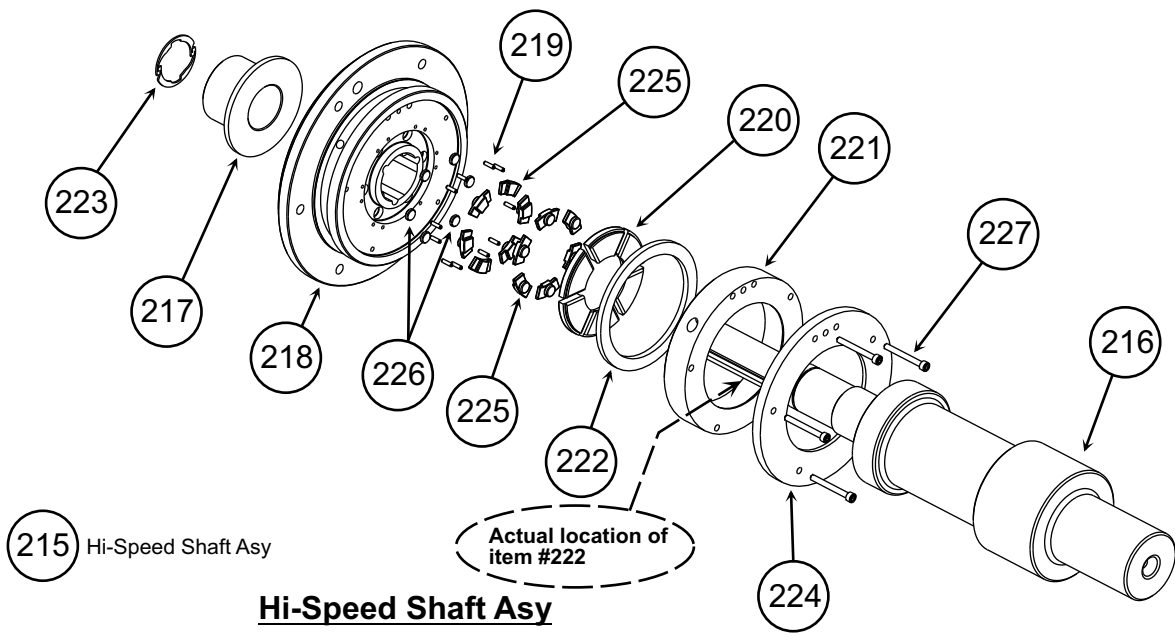
See Graphic 19068016  
For Alternate Views of  
This Area





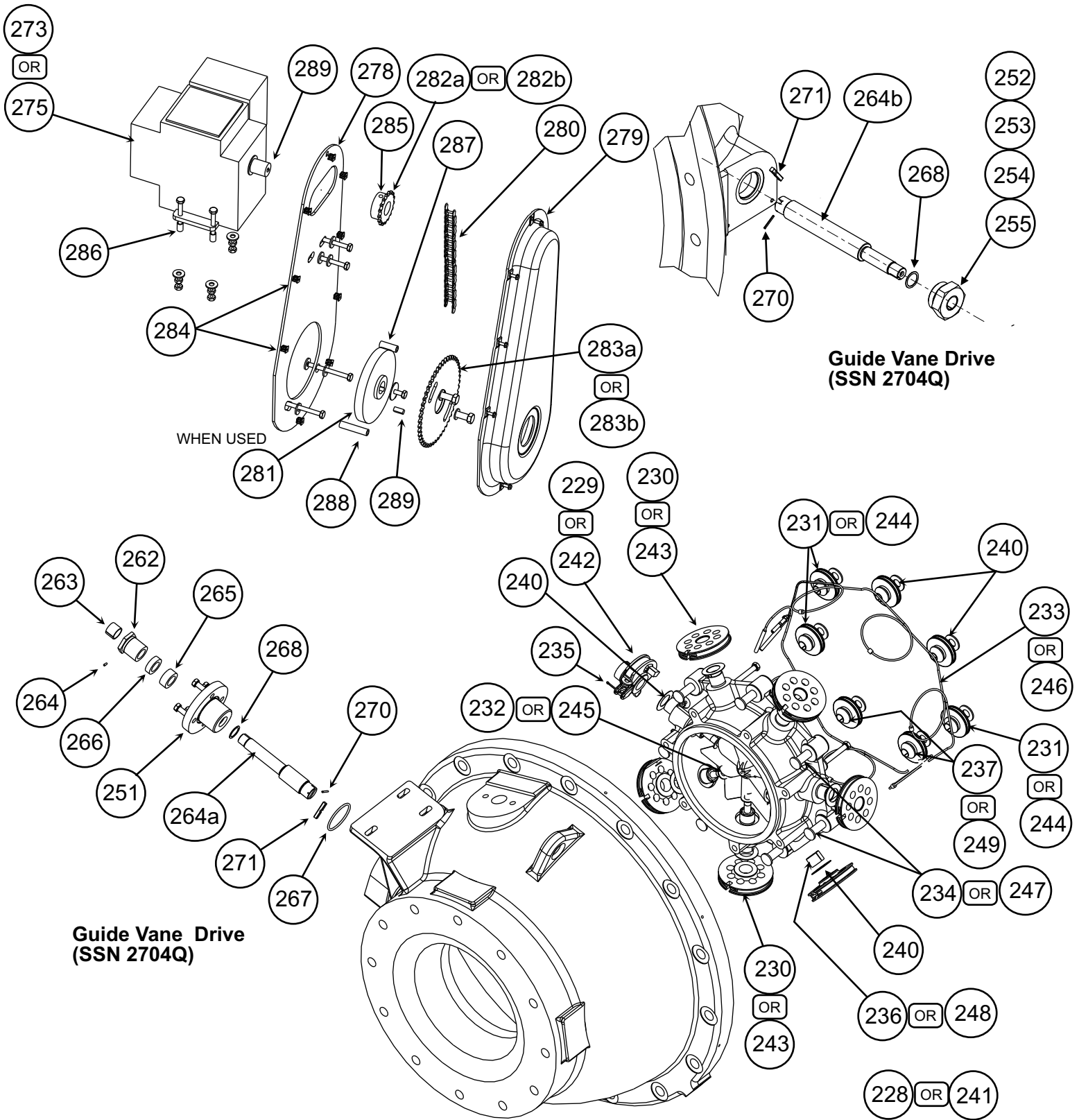


**Transmission Asy**

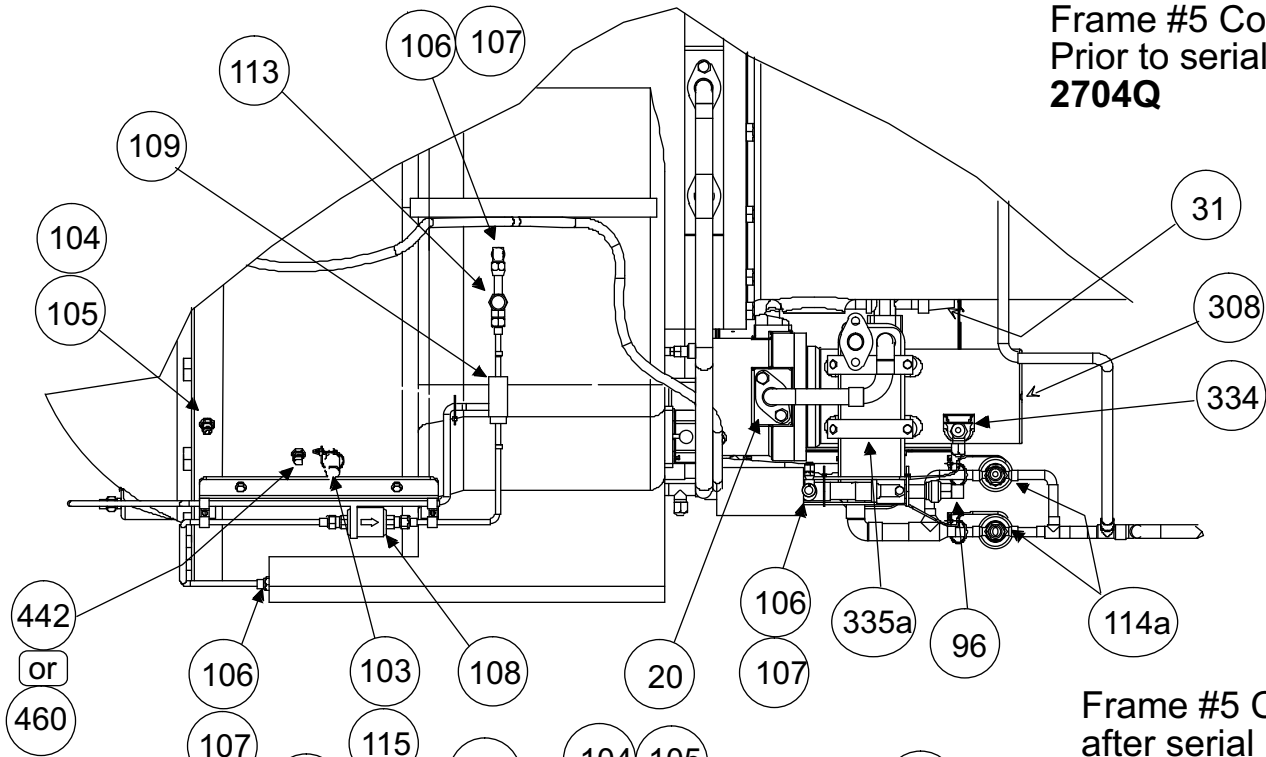


**215** Hi-Speed Shaft Asy

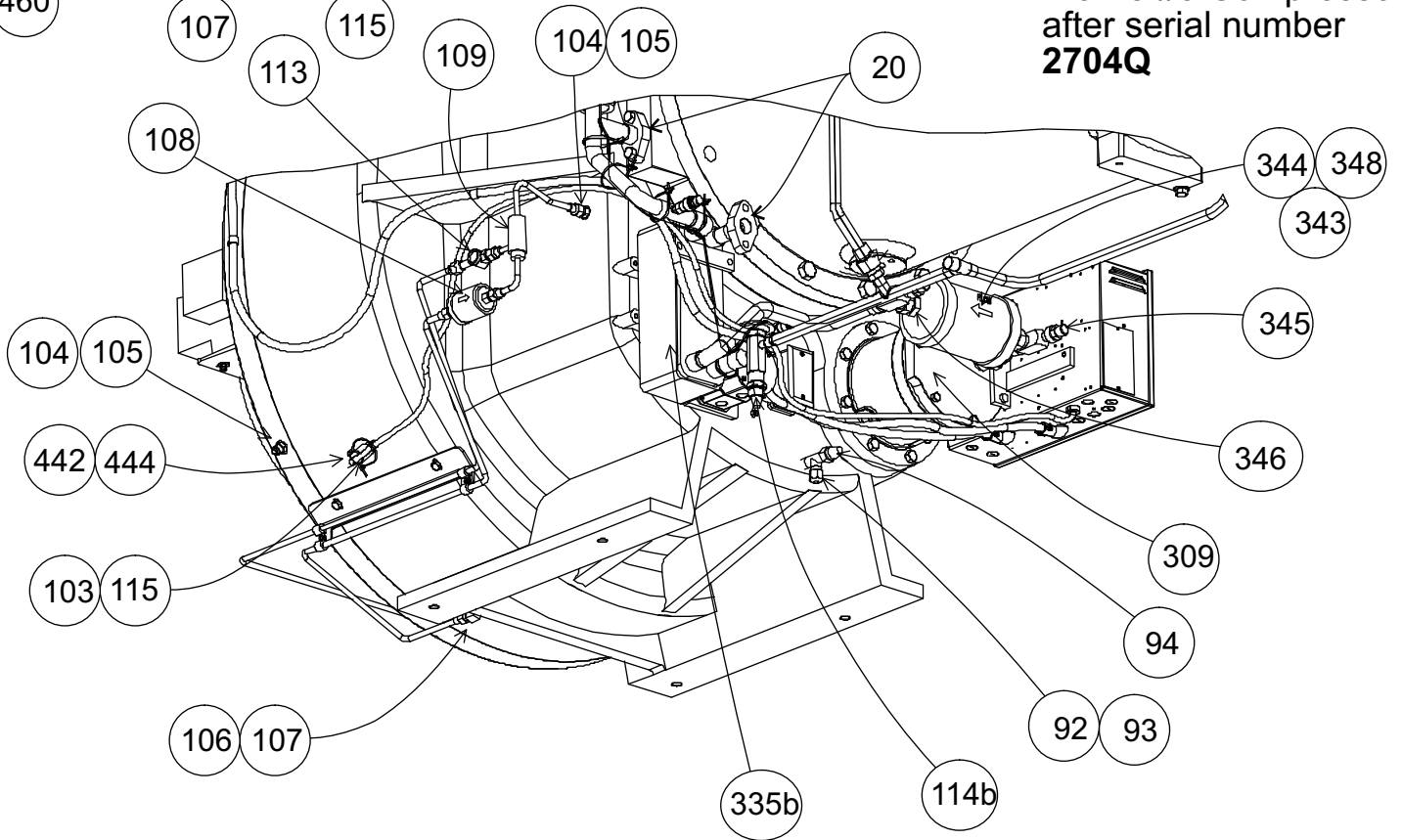
**Hi-Speed Shaft Asy**



Frame #5 Compressor  
Prior to serial number  
2704Q



Frame #5 Compressor  
after serial number  
2704Q



### Motor Cooling Nozzle Selection

**1 9 X R V 8 5 8 5 5 2 7 E P S 6 5 -**

Motor Code

- EH
- EJ
- EK
- EL
- EM
- EN
- EP
- EQ

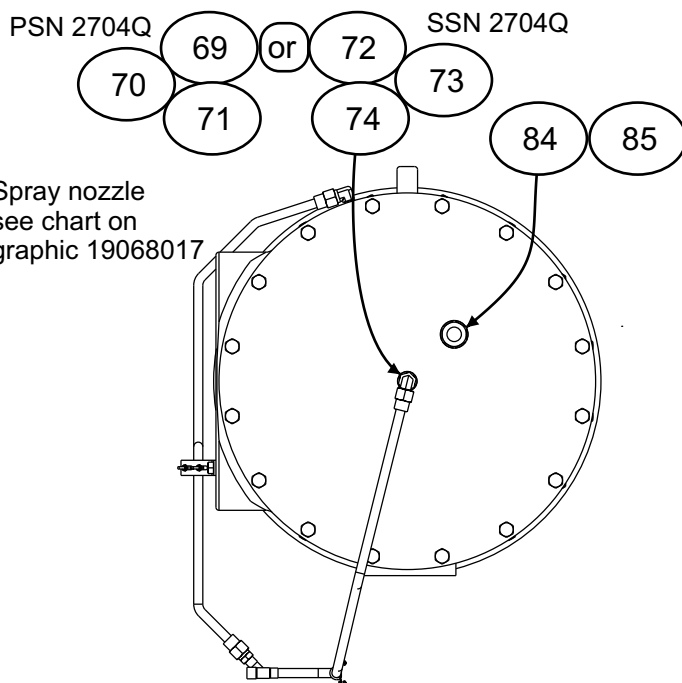
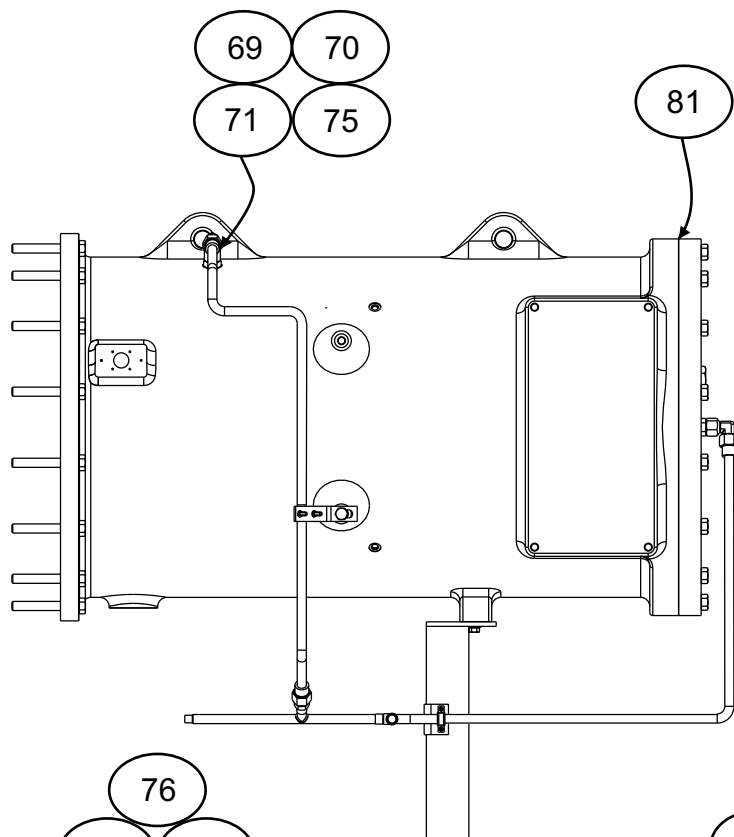
**S** = Standard Efficiency

**H** = High Efficiency

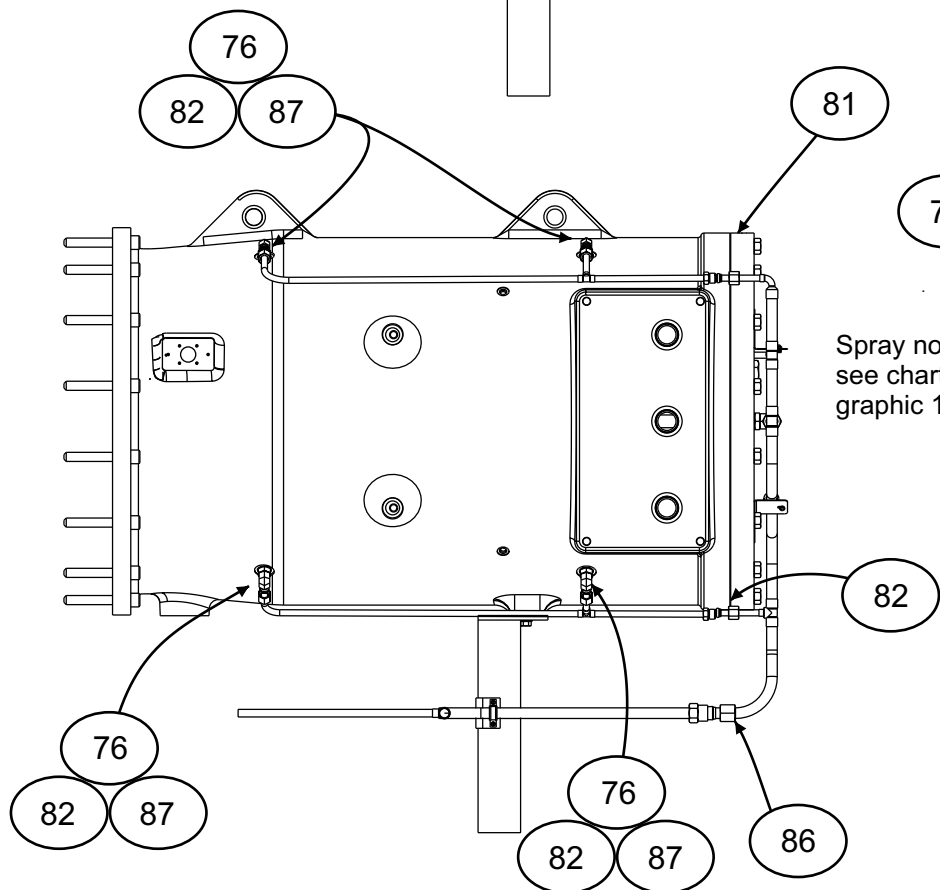
Motor Voltage Code

- |                      |                       |                       |
|----------------------|-----------------------|-----------------------|
| <b>60</b> = 200-3-60 | <b>66</b> = 2400-3-60 | <b>52</b> = 400-3-50  |
| <b>61</b> = 230-3-60 | <b>67</b> = 3300-3-60 | <b>53</b> = 3000-3-50 |
| <b>62</b> = 380-3-60 | <b>68</b> = 4160-3-60 | <b>54</b> = 3300-3-50 |
| <b>63</b> = 416-3-60 | <b>69</b> = 6900-3-60 | <b>55</b> = 6300-3-50 |
| <b>64</b> = 460-3-60 | <b>50</b> = 230-3-50  |                       |
| <b>65</b> = 575-3-60 | <b>51</b> = 346-3-50  |                       |

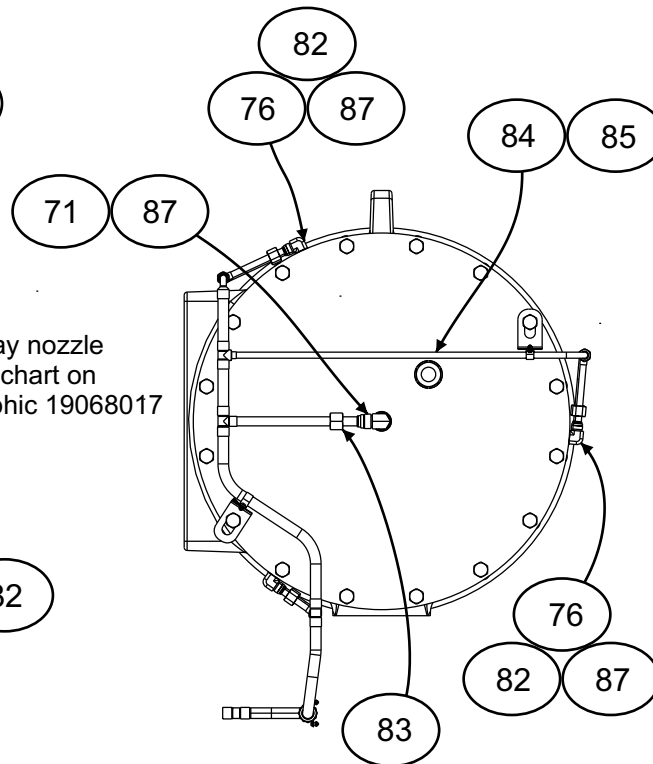
Motor Supplier	Hertz	Used With Motor	Motor Cooling Nozzle
Ideal	60	EH - EQ 380v - 575v Standard & High Efficiency	02XR44015705
Ideal	60	EH - EQ 2400v - 6900v Standard & High Efficiency	02XR44015705
Ideal	50	EH - EP 400v Standard & High Efficiency	02XR44015705
Ideal	50	EH - EM 3000v - 6300v Standard & High Efficiency	02XR44015705
Ideal	50	EN - EP 3000v - 6300v Standard & High Efficiency	02XR44015703
Reliance	60	EH - EP 380v - 575v Standard & High Efficiency	02XR44015705
Reliance	60	EQ 380v - 575v Standard & High Efficiency	02XR44015703
Reliance	60	EH - EQ 2400v - 6900v Standard & High Efficiency	02XR44015705
Reliance	50	EH - EM 400v High Efficiency	02XR44015705
Reliance	50	EN - EP 400v High Efficiency	02XR44015703
Reliance	50	EH - EP 400v Standard Efficiency	02XR44015705
Reliance	50	EH - EM 3000v - 6300v Standard & High Efficiency	02XR44015705
Reliance	50	EN - EP 3000v - 6300v High Efficiency	02XR44015703
Reliance	50	EN - EP 3000v - 3300v Standard Efficiency	02XR44015705
Reliance	50	EN - EP 6300v Standard Efficiency	02XR44015705

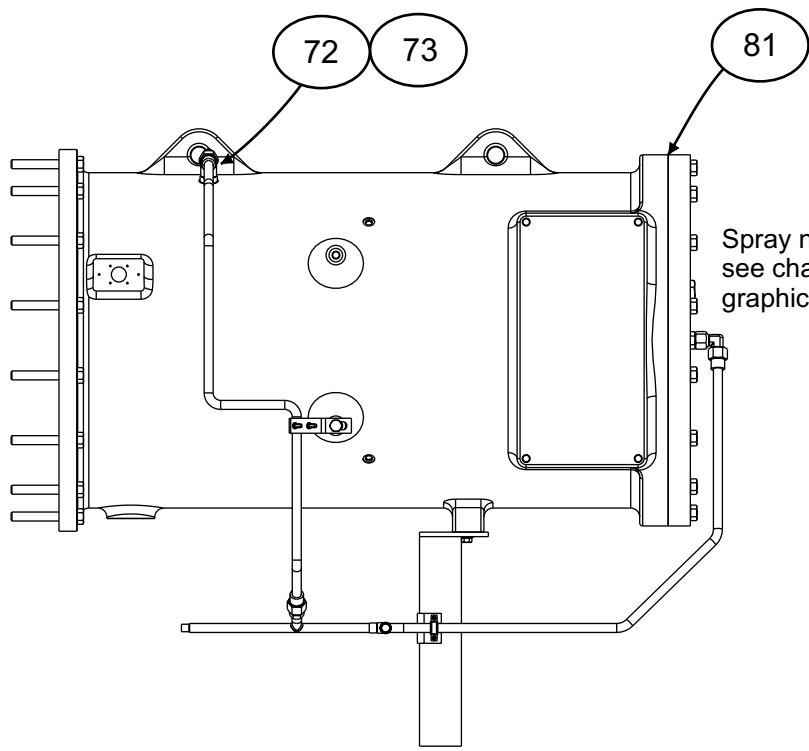


Spray nozzle  
see chart on  
graphic 19068017

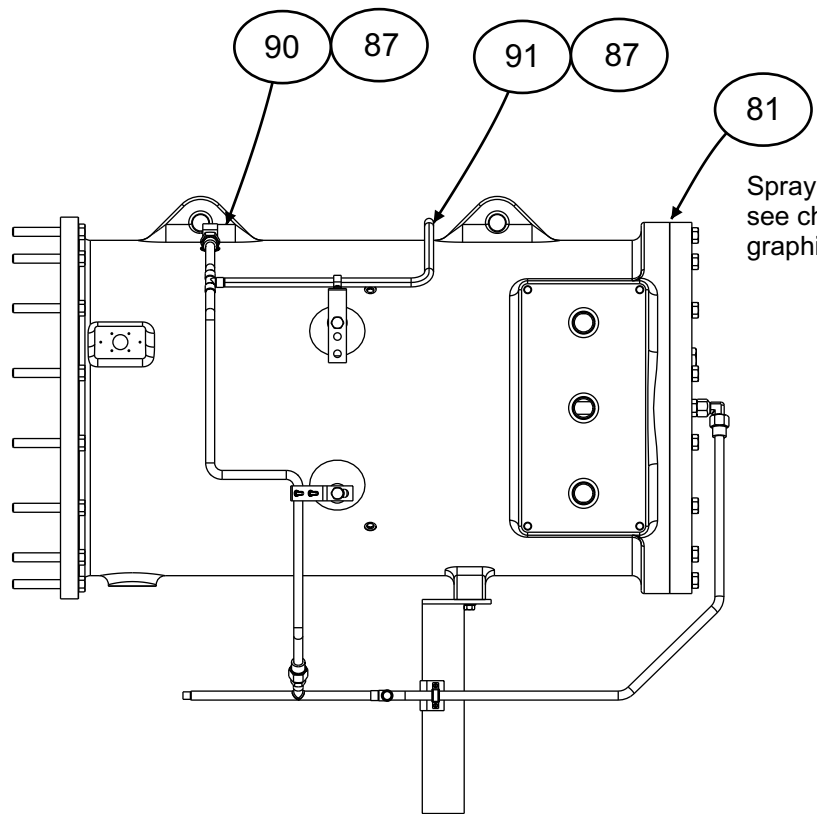
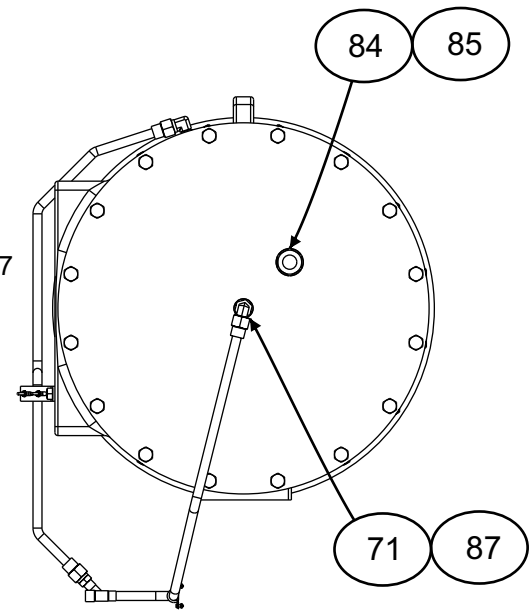


Spray nozzle  
see chart on  
graphic 19068017

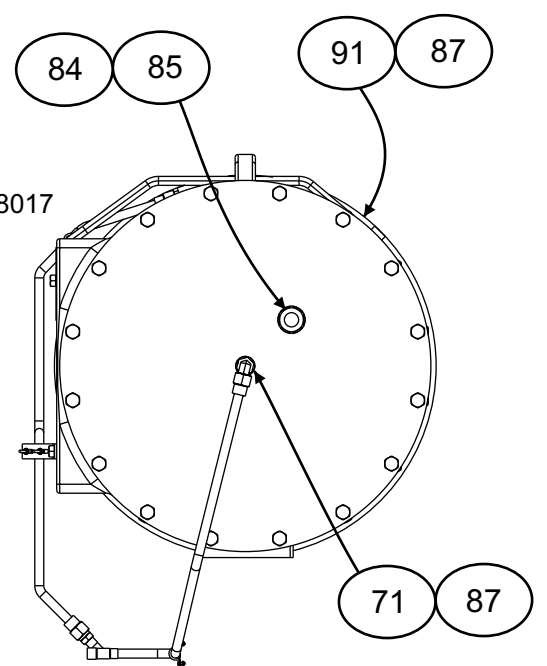


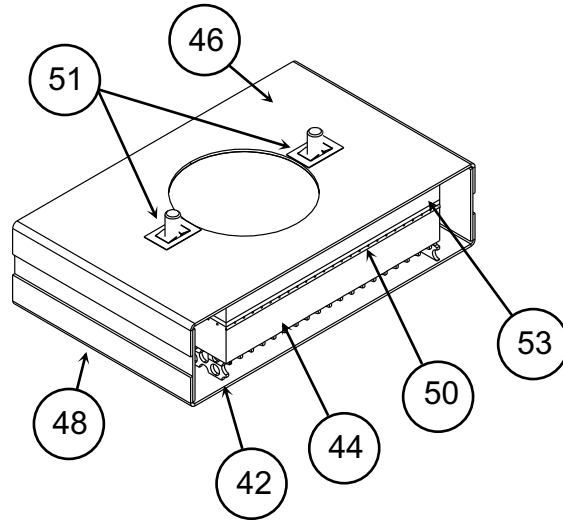


Spray nozzle  
see chart on  
graphic 19068017

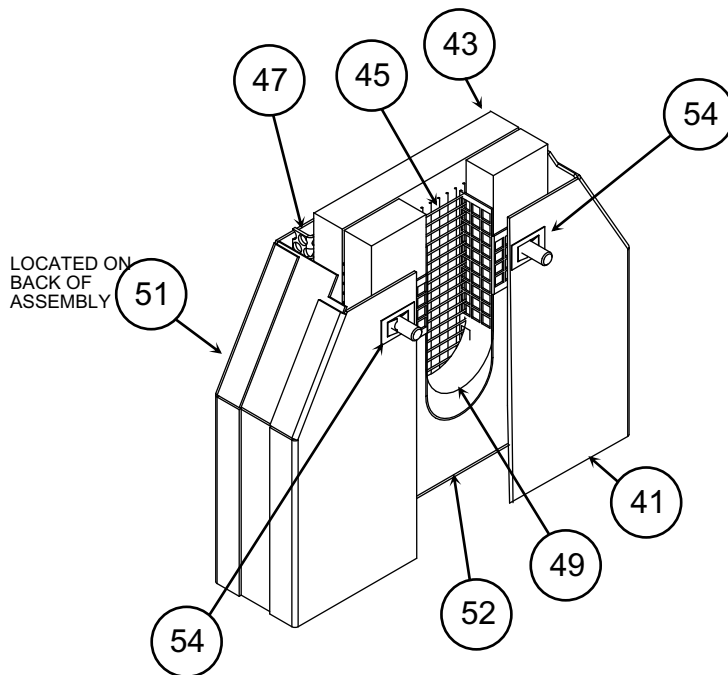


Spray nozzle  
see chart on  
graphic 19068017

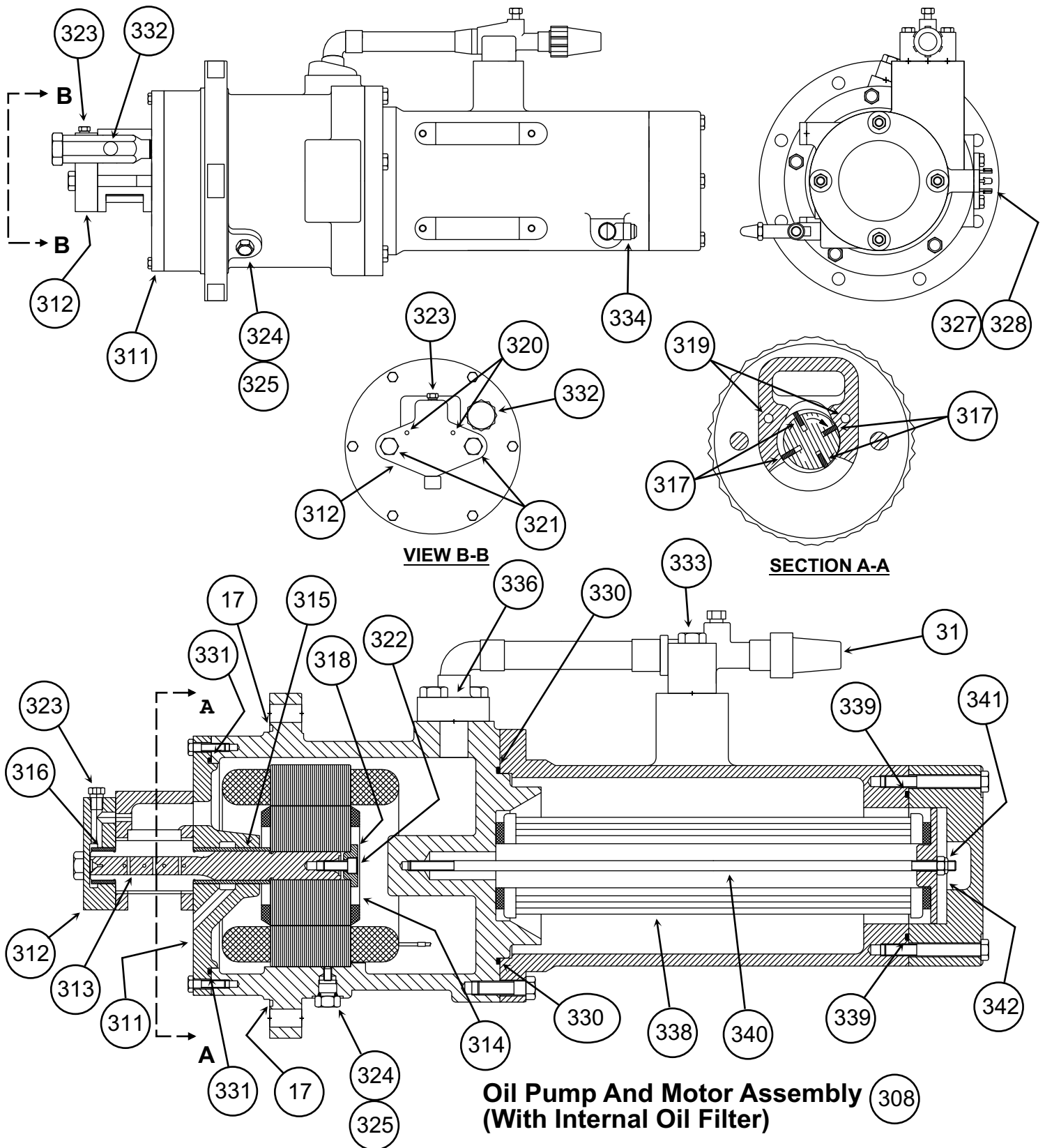


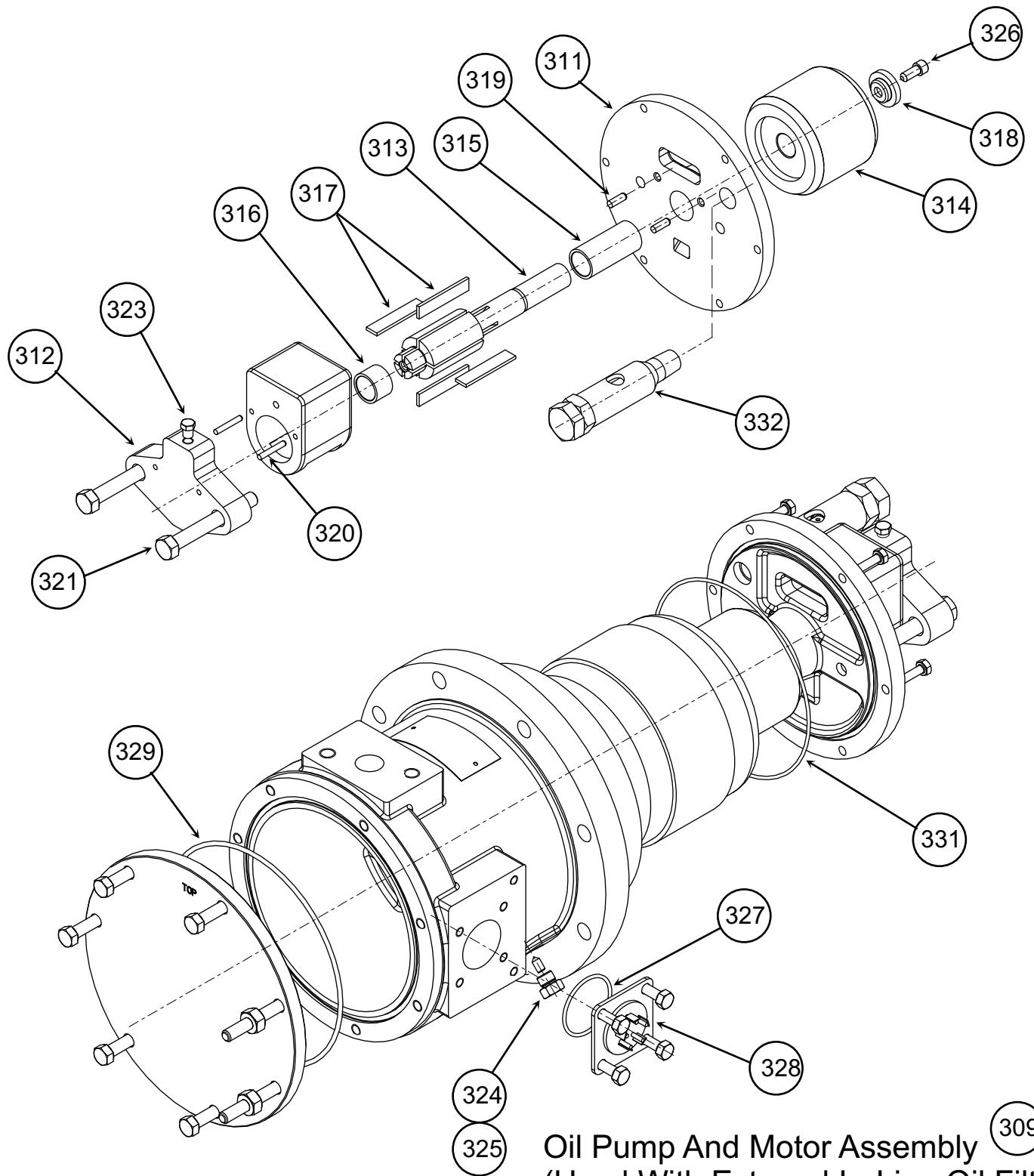


Demister Assembly  
(SSN 2704Q)

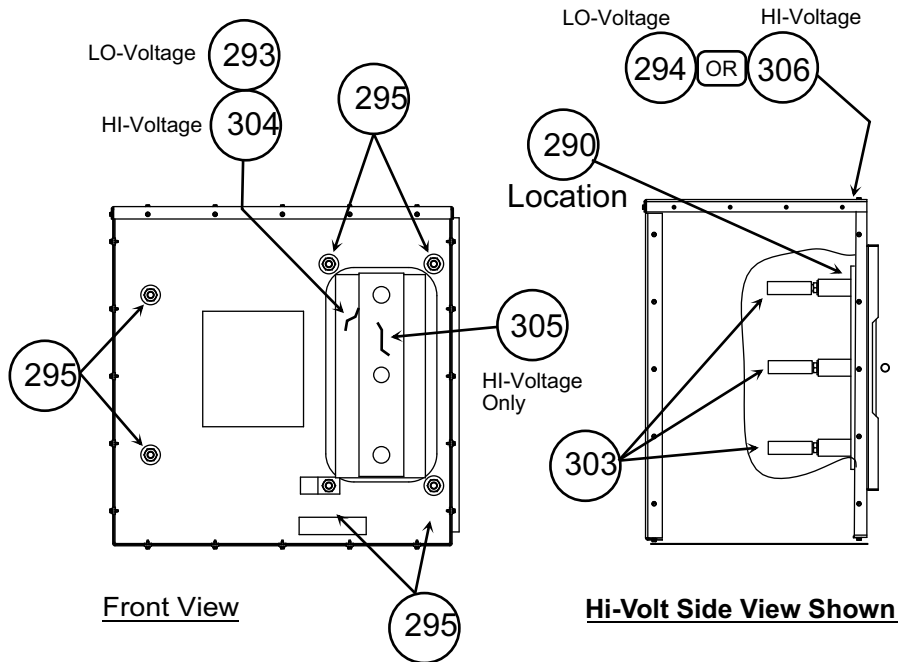


Demister Assembly  
(PSN 2704Q)

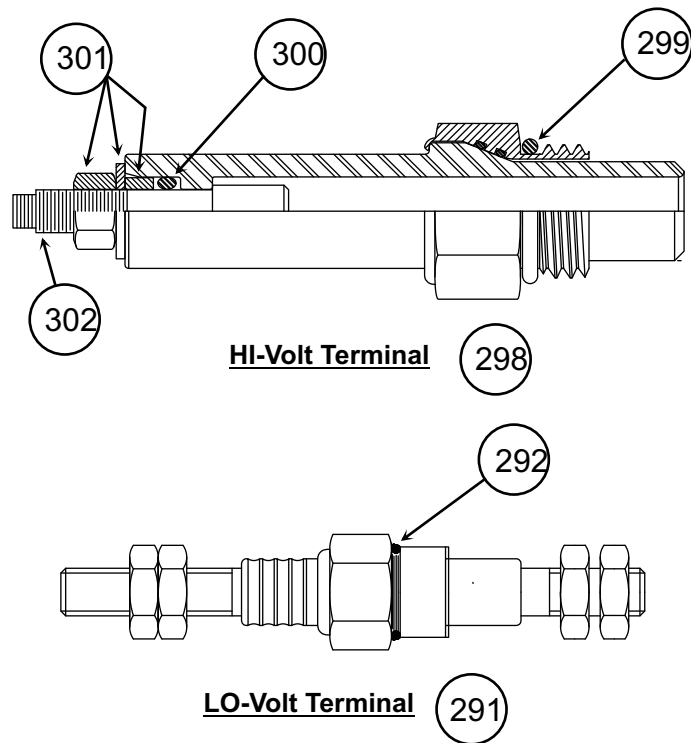


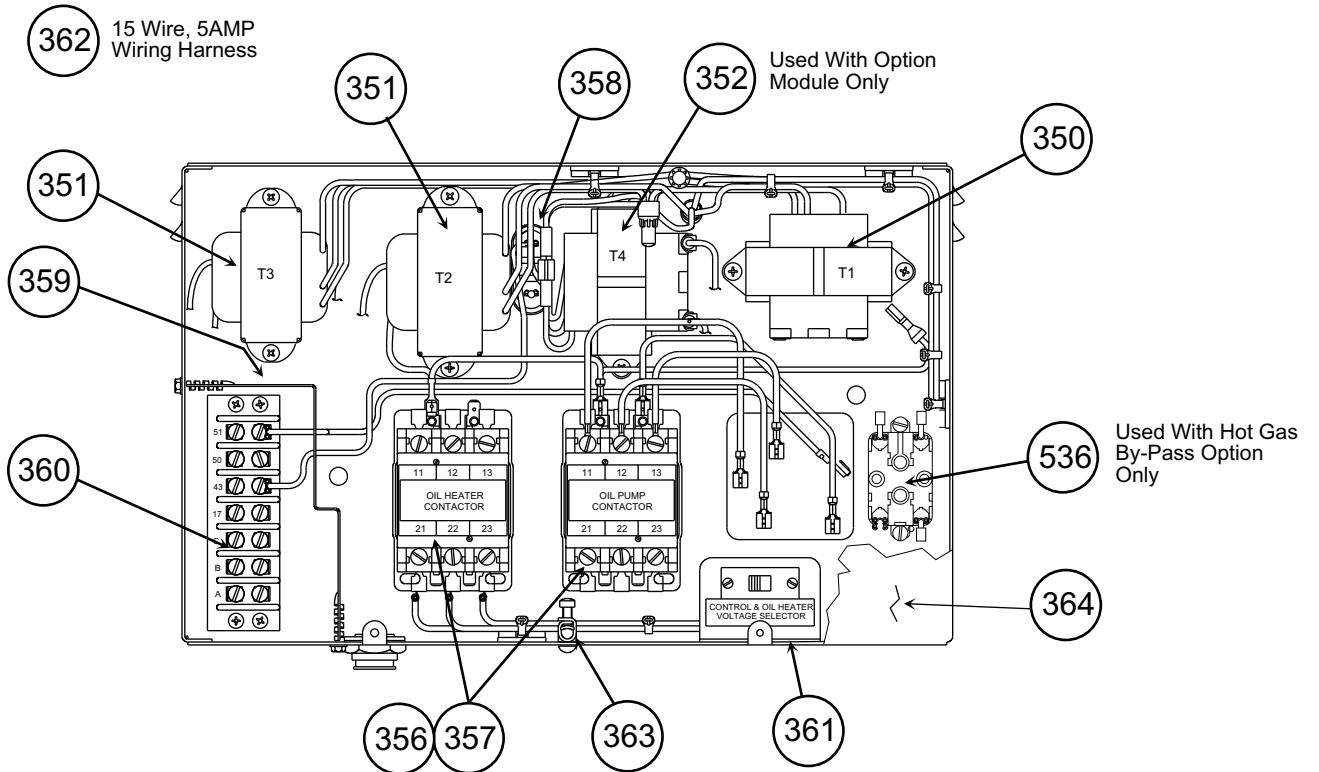


Oil Pump And Motor Assembly (Used With External In-Line Oil Filter) 309

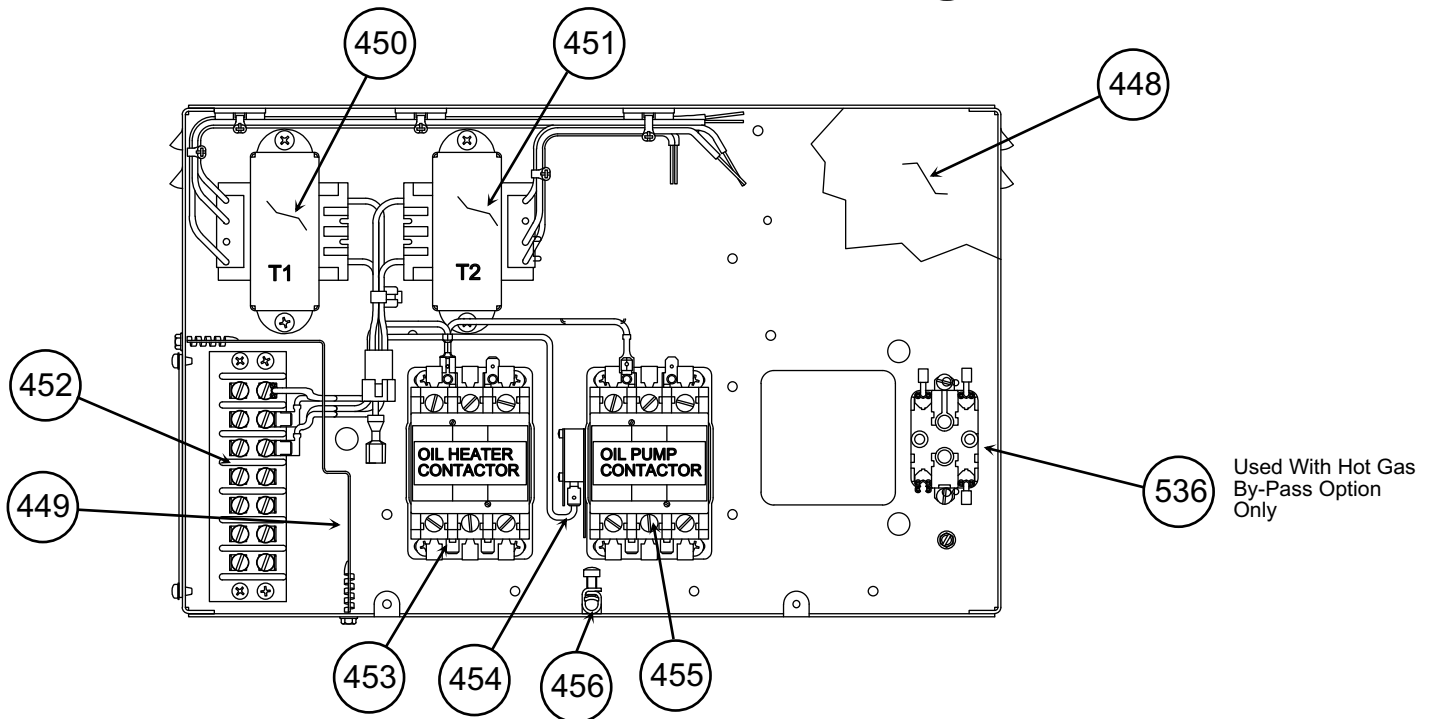


## Compressor Terminal Box Assembly

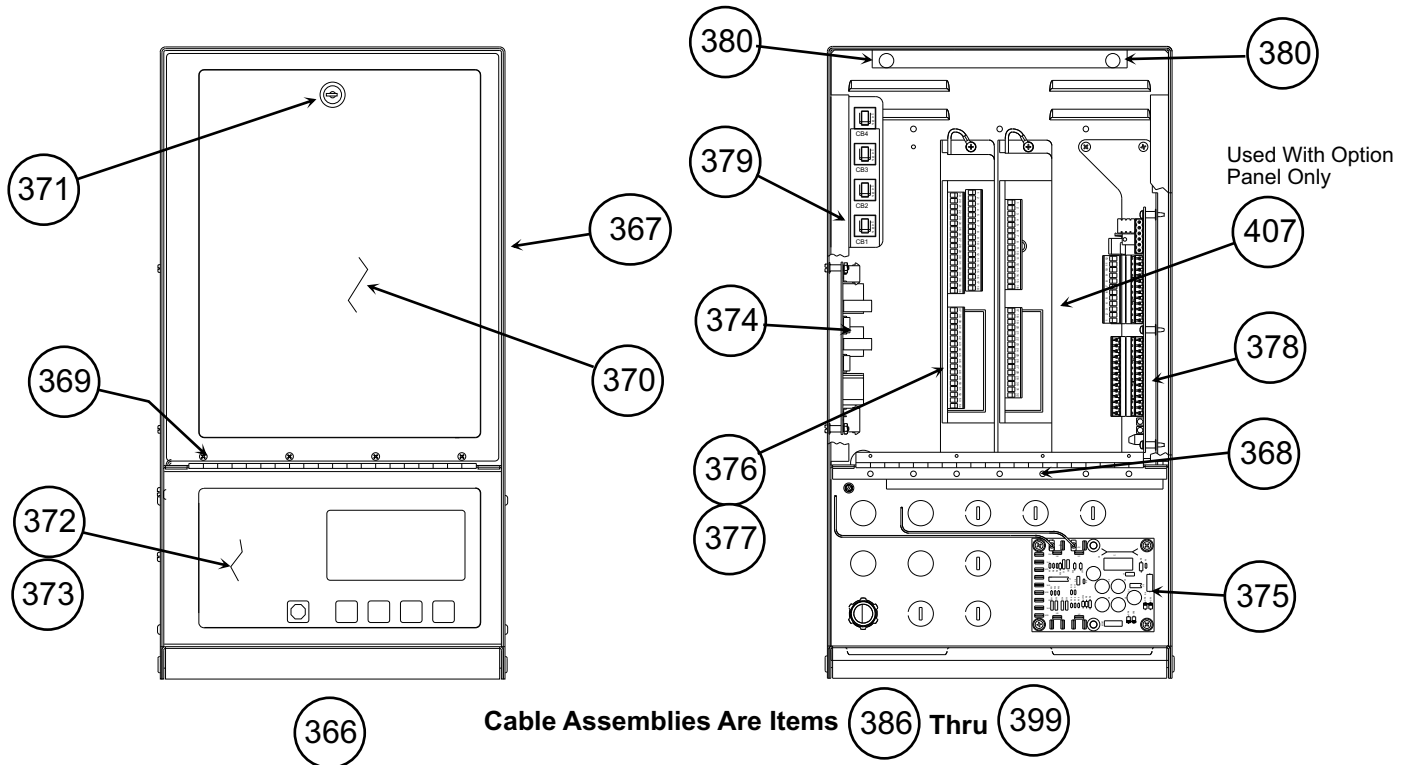




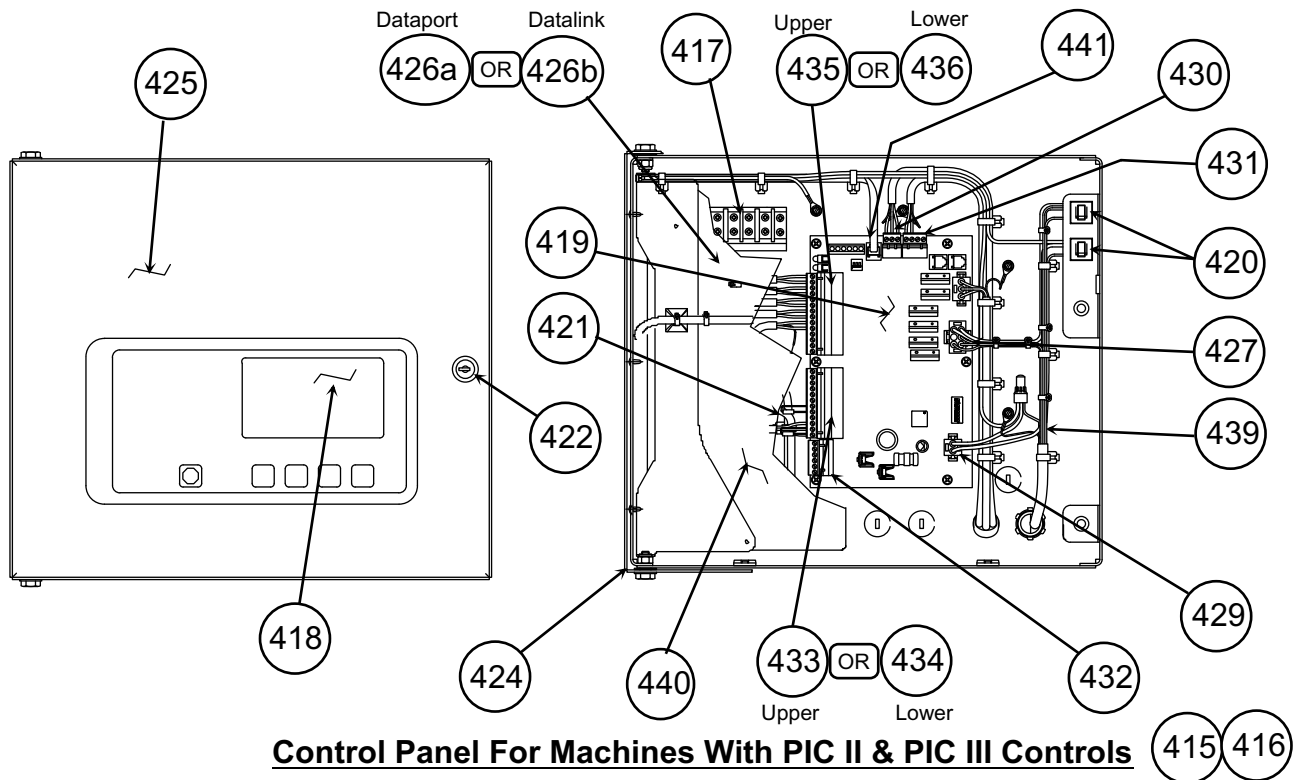
**Power Panel For PIC I Machines** (349)

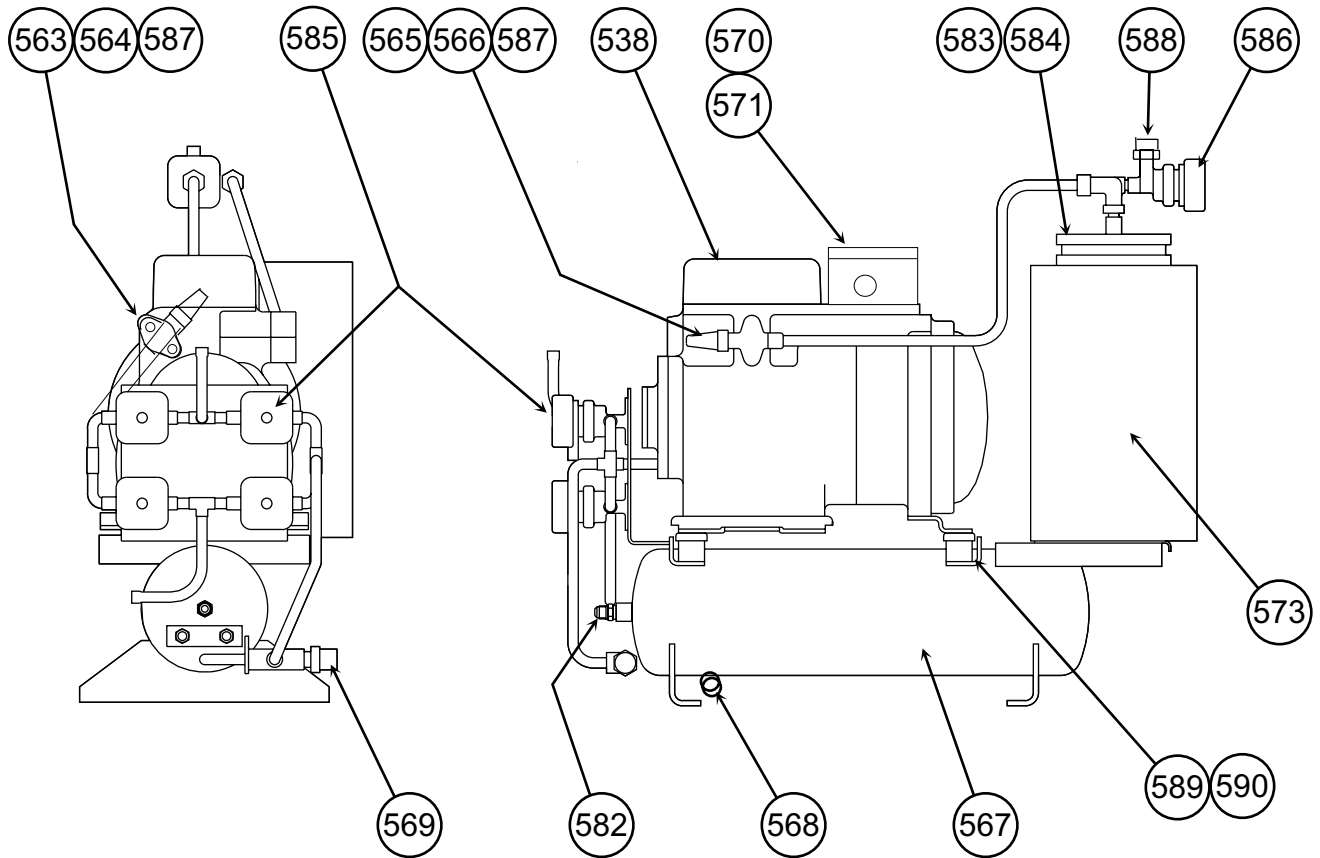


**Power Panel For PIC II & PIC III Machines** (447)

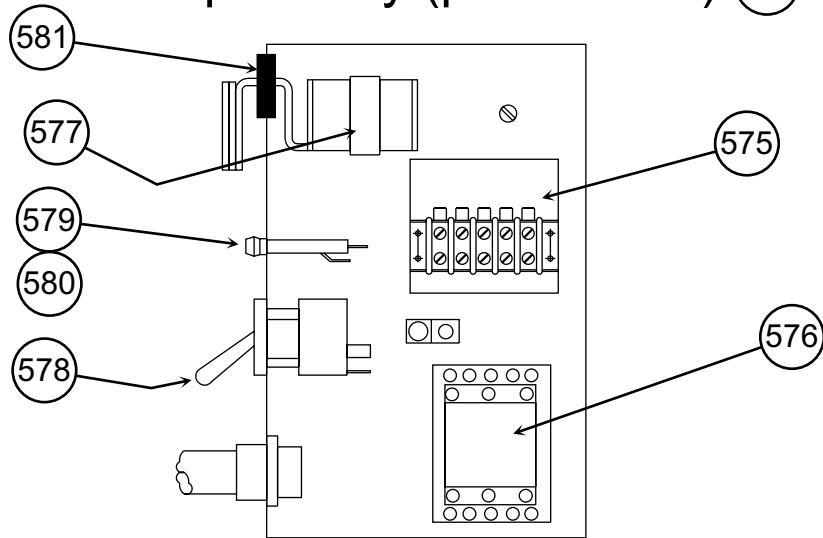


**Control Panel For PIC I Machines**

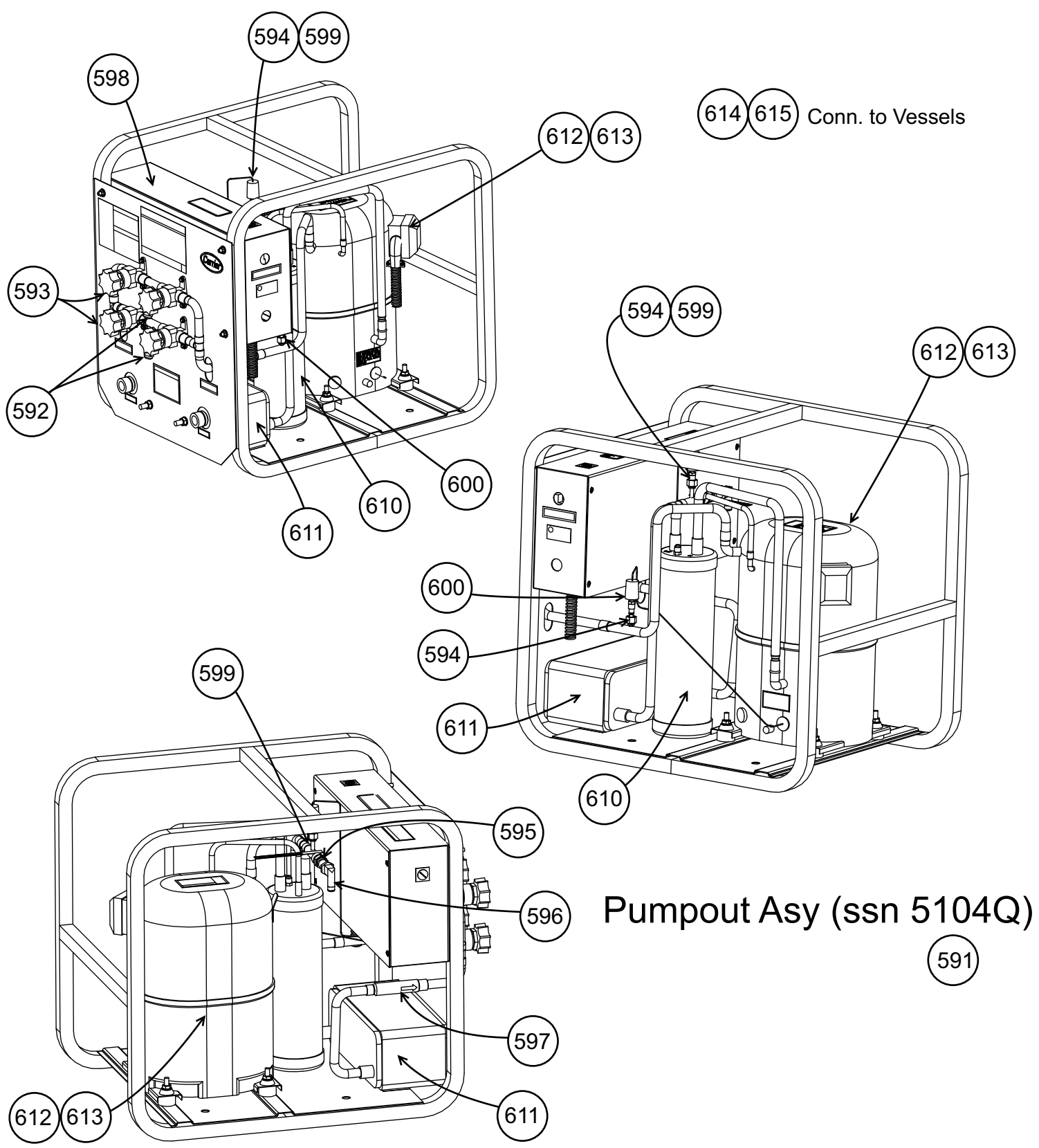




**Pumpout Asy (psn 5104Q) (537)**



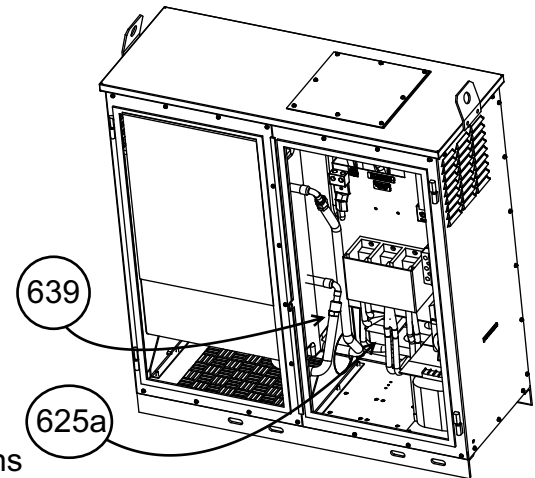
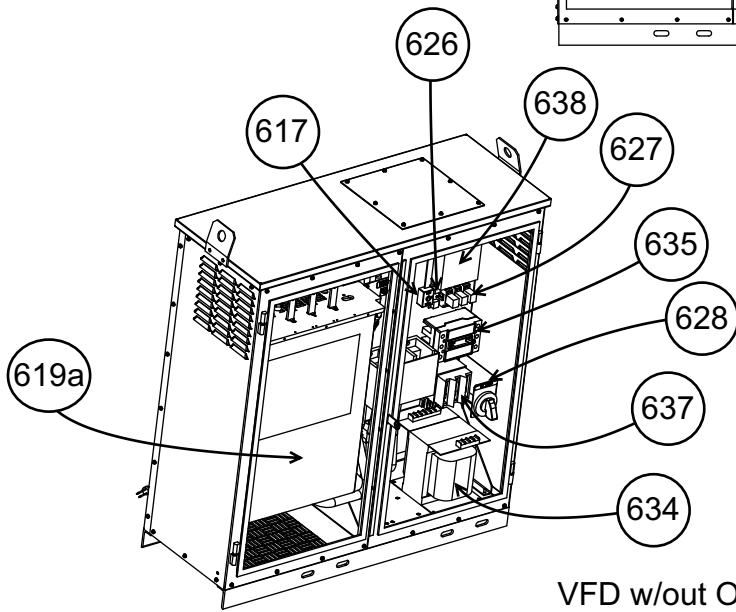
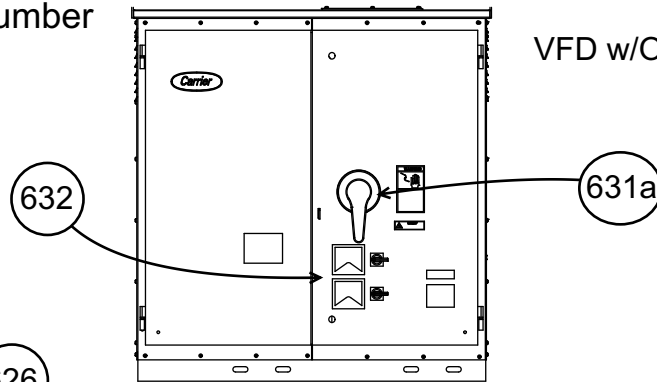
**Pumpout Control Box**



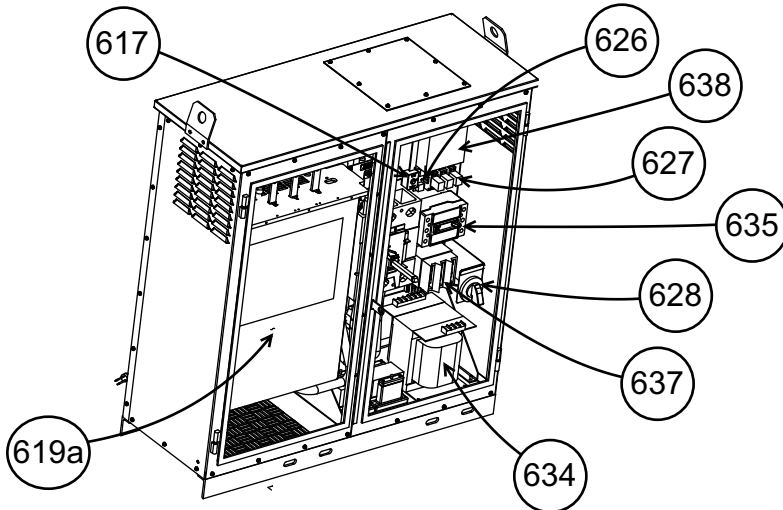
Liquid-Flo I (414 max amps)  
Order Code/Assembly number  
19XVR0414XXX

Note: PIC II Controls

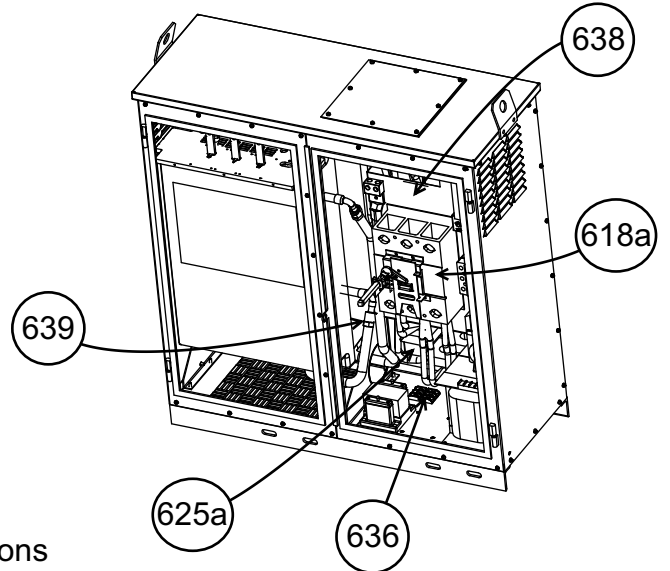
VFD w/Options Shown



VFD w/out Options

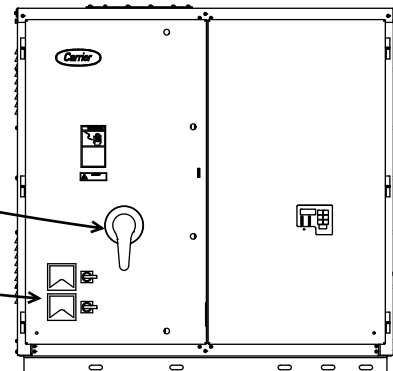


VFD w/Options

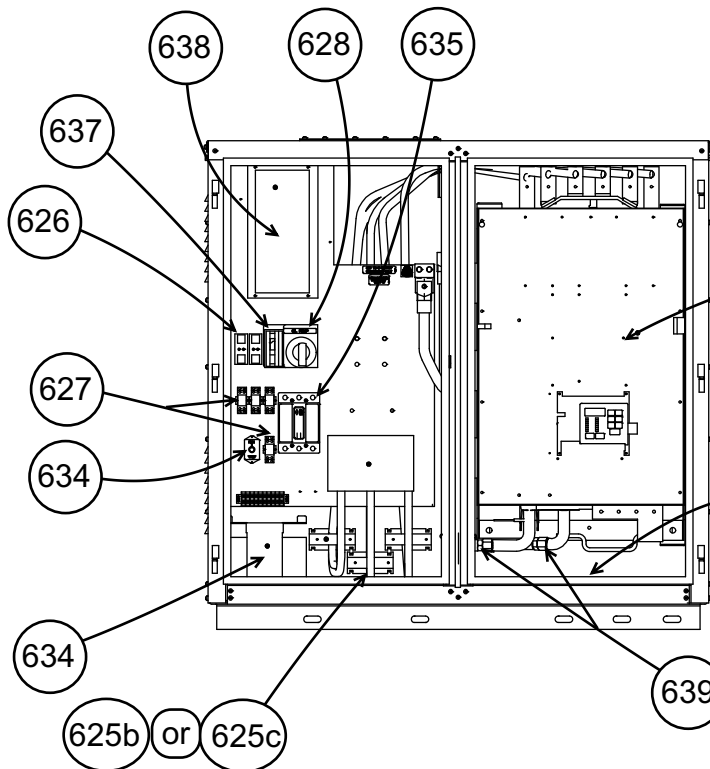


**Note: PIC II Controls**

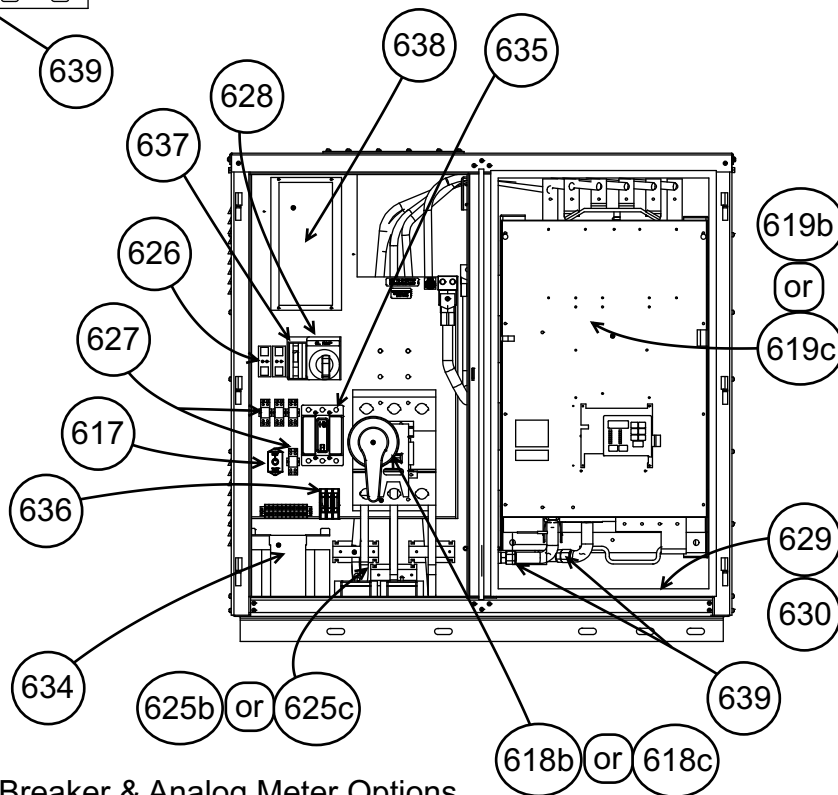
Liquid-Flo I (500 & 643 max amps)  
 Order Code/Assembly number  
 19XVR0500XXX & 19XVR643XXX



VFD w/Options Shown

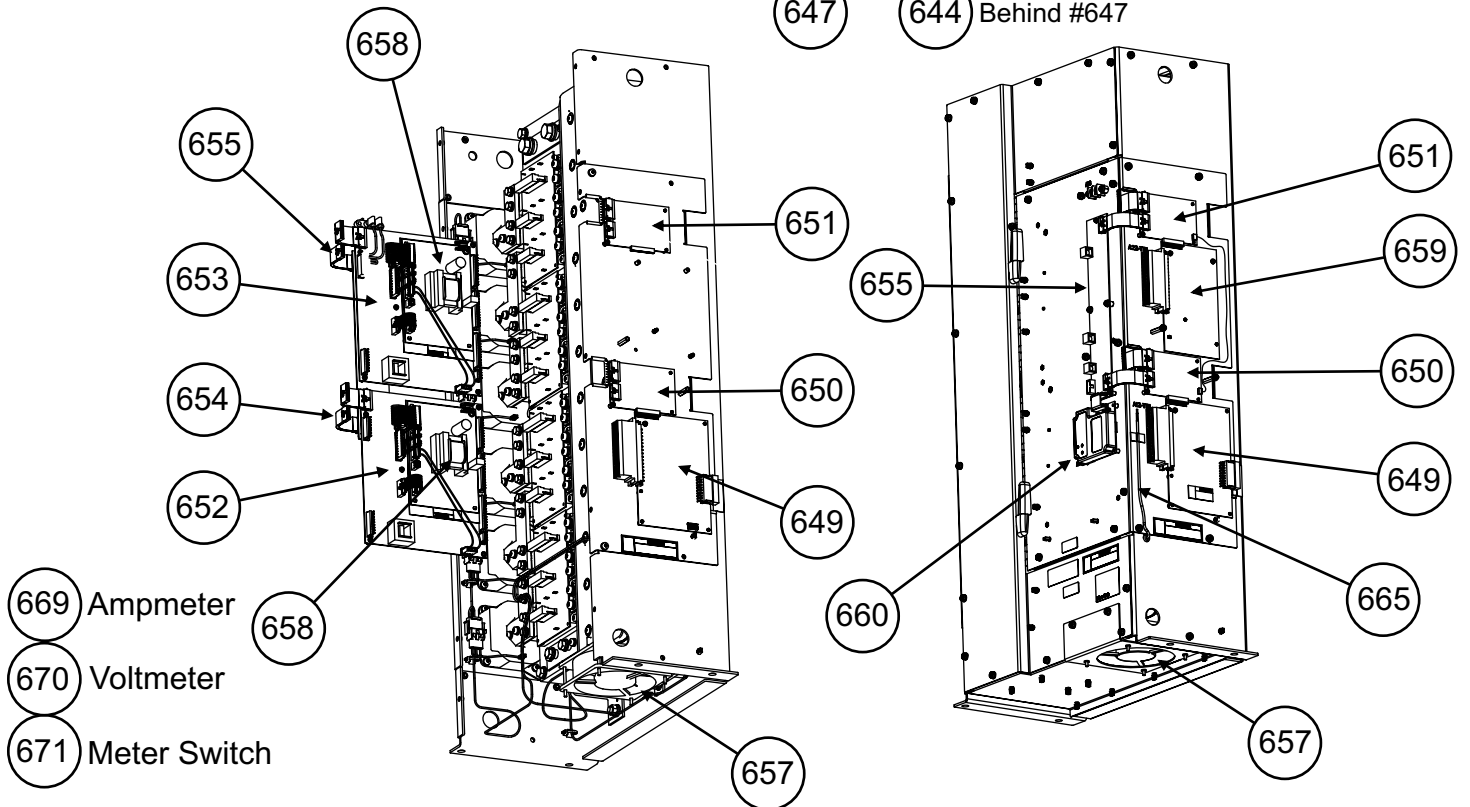
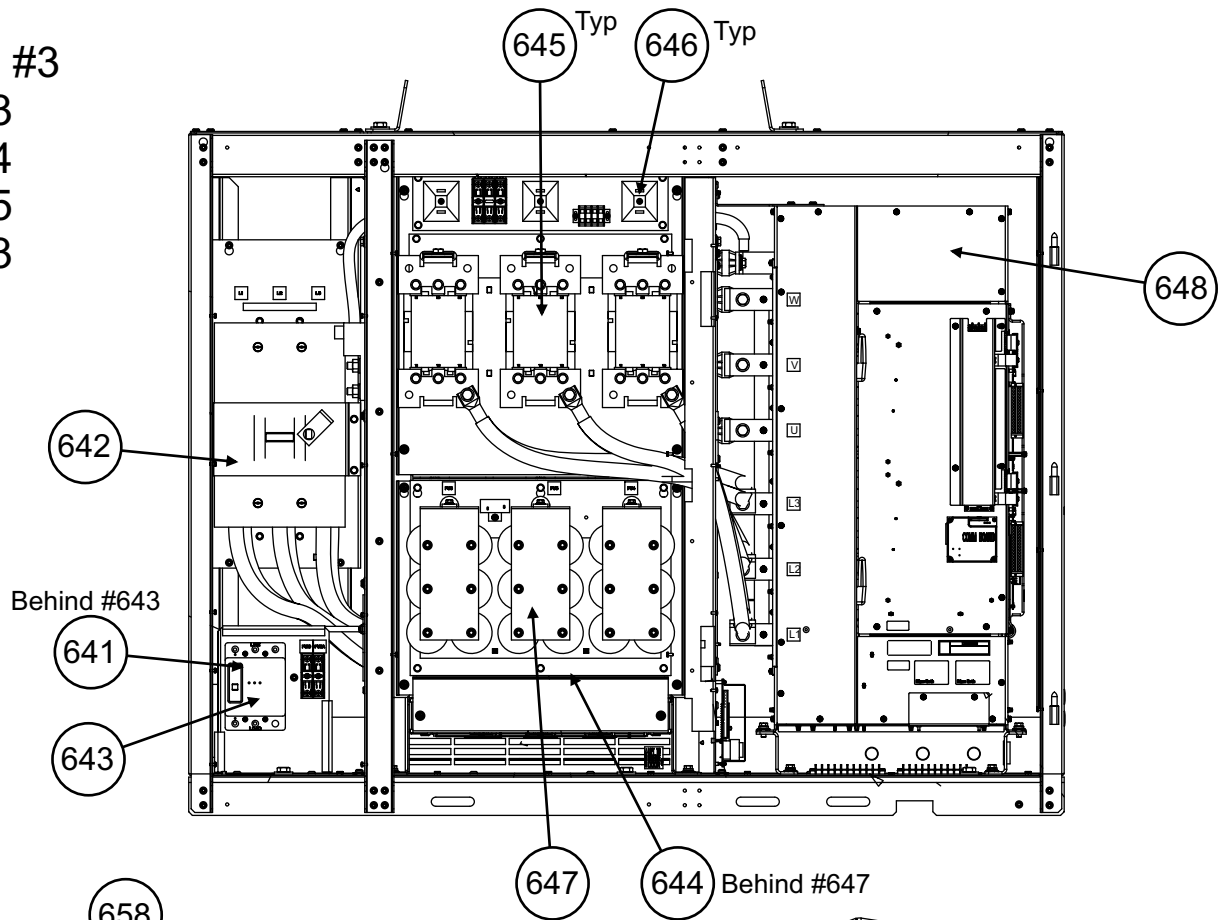


Standard Package w/o Options

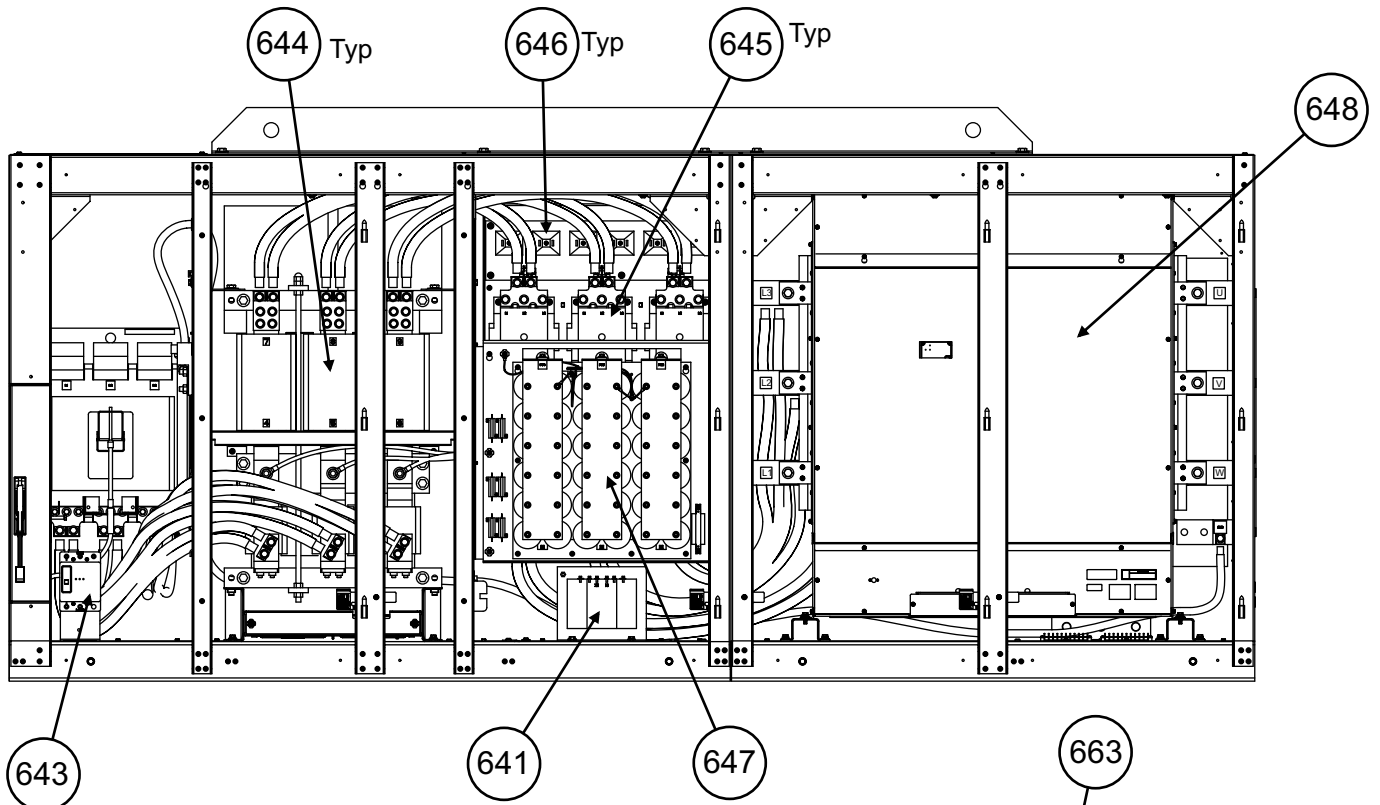


Circuit Breaker & Analog Meter Options

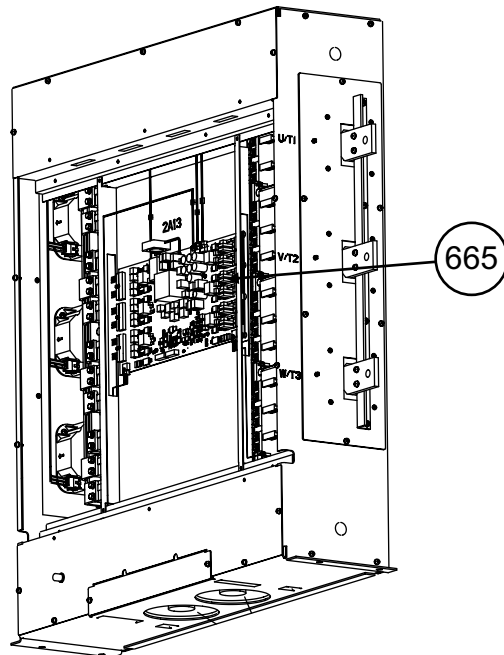
VFD Frame #3  
 180700-A03  
 180700-A04  
 180700-A05  
 180700-A43



- 669 Ampmeter
- 670 Voltmeter
- 671 Meter Switch



VFD Frame #4  
181285-A07  
181285-A09



- 669 Ampmeter
- 670 Voltmeter
- 671 Meter Switch

**Model/Sales Package: 19XR.FR#5.COMPR.**



**Model** 19XR.FR#5.COMPR.

**Description** ALL 19XR MACHINES WITH FRAME 5 COMPRESSOR, ALL VESSELS

Item#	Qty	Rec	Part Number	Description
1A	1	-	19XR660036	LABYRINTH,IMPELLER (SSN 0102QXXXXX): Compressor Codes Used On: 521,531,541 For Machines Built Prior To s/n 0102QXXXXX See Item 2A.
1B	1	-	19XR660037	LABYRINTH,IMPELLER (SSN 0102QXXXXX): Compressor Codes Used On: 501,551,561,571,581,591,502,522,532,542 552,562,572,582,592,523,533,543 For Machines Built Prior To s/n 0102QXXXXX See Item 2B.
1C	1	-	19XR660038	LABYRINTH,IMPELLER (SSN 0102QXXXXX): Compressor Codes Used On: 503,553,563,573,583,593 For Machines Built Prior To s/n 0102QXXXXX See Item 2C.
1D	1	-	19XR660039	LABYRINTH,IMPELLER (SSN 0102QXXXXX): Compressor Codes Used On: 504,524,534,544,554,564,574,584,594,525,535 And 545 For Machines Built Prior To s/n 0102QXXXXX See Item 2D.
1E	1	-	19XR660040	LABYRINTH,IMPELLER (SSN 0102QXXXXX): Compressor Codes Used On: 505,555,565,575,585,595,506,526,536 546,556,566,576,586,596,527,537,547 For Machines Built Prior To s/n 0102QXXXXX See Item 2E.
1F	1	-	19XR660041	LABYRINTH,IMPELLER (SSN 0102QXXXXX): Compressor Codes Used On: 507,557,567,577,587,597,508,528,538,548,558 568,578,588,598,509,529,539,549,559,569,579 589,599 For Machines Built Prior To s/n 0102QXXXXX See Item 2F.
1G	1	-	19XR660061	LABYRINTH,IMPELLER (HIGH LIFT): Compressor Codes Used On: 55J & 59J
1H	1	-	19XR660062	LABYRINTH,IMPELLER (HIGH LIFT): Compressor Codes Used On: 55K, 55L, 57L, 58K
1I	1	-	19XR660063	LABYRINTH,IMPELLER (HIGH LIFT): Compressor Codes Used On: 55H & 59H
2	1	-	AX17VP025	PIN PLUG (ALUM) (INCL. IN ITEM #1)
2A	1	-	02XR54004501	LABYRINTH,IMPELLER (PSN 0102QXXXXX): Compressor Codes Used On: 521,531,541 For Machines Built After s/n 0102QXXXXX See Item 1S.
2B	1	-	02XR54004502	LABYRINTH,IMPELLER (PSN 0102QXXXXX): Compressor Codes Used On: 501,551,561,571,581,591,502,522,532,542 552,562,572,582,592,523,533,543 For Machines Built After s/n 0102QXXXXX See Item 1T.
2C	1	-	02XR54004503	LABYRINTH,IMPELLER (PSN 0102QXXXXX): Compressor Codes Used On: 503,553,563,573,583,593 For Machines Built After s/n 0102QXXXXX See Item 1U.
2D	1	-	02XR54004504	LABYRINTH,IMPELLER (PSN 0102QXXXXX): Compressor Codes Used On: 504,524,534,544,554,564,574,584,594,525,535 And 545 For Machines Built After s/n 0102QXXXXX See Item 1V.
2E	1	-	02XR54004505	LABYRINTH,IMPELLER (PSN 0102QXXXXX): Compressor Codes Used On: 505,555,565,575,585,595,506,526,536,546,556 566,576,586,596,527,537,547 For Machines Built After s/n 0102QXXXXX See Item 1W.
2F	1	-	02XR54004506	LABYRINTH,IMPELLER (PSN 0102QXXXXX): Compressor Codes Used On: 507,557,567,577,587,597,508,528,538,548,558 568,578,588,598,509,529,539,549,559,569,579 589,599 For Machines Built After s/n 0102QXXXXX See Item 1X.
3	1	-	02XR55006601	SPACER, IMPELLER
4	2	-	02XR55003601	KEY, IMPELLER
5	1	-	02XR55006301	SHIM, IMPELLER
6	1	-	AU04AQ331	WASHER, IMPELLER
7	5	-	AU04AQ391	WASHER, HARD
8	6	-	AU52NA171	WASHER, SEALING
11	1	-	KK71EU172	"O" RING (MOTOR COVER)
12	2	-	KK71EU172	"O" RING (MTR HSG/TRANS)
13	1	-	KK71EU172	"O" RING (DIFFUSER/BASE)
14	1	-	KK71EU173	"O" RING (OUTER DIFF)
15	1	-	KK71EU172	"O" RING (INNER DIFF)
16	1	-	KK71EU174	"O" RING (SUCTION HSG)
17	1	-	KK71EW268	"O" RING (OIL PUMP)
18	1	-	KK71EW015	"O" RING (LABY GAS)
19	1	-	KK71EW269	"O" RING (LABY/TRANS)
20	2	-	KK71EW223	"O" RING (OIL COOL)
23	1	-	02XR55009801	NOSE PIECE
24	2	-	KK71EW229	"O" RING (EQUAL LINE)
26	1	-	DK16CB302	FLANGE (4-BOLT,O-RING KK71EW229)

Itm#	Qty	Rec	Part Number	Description
28	2	-	DK16CA250	FLANGE (4-BOLT,O-RING KK71EW229)
29	3	-	AX14CA168	ROLL PIN
30	1	-	AA03AA329	CAP SCREW,IMPELLER
31	1	-	EP23LA155	VALVE,SHUT-OFF
34	4	-	02XR54016901	SEGMENT ASSEMBLY
35	8	-	CA64AM225	PLUG,O-RING SEAL (SEGMENT ASY'S): Includes: Item #36.
36	1	-	KK71EW910	> "O" RING,PLUG SEAL
37	3	-	KM36BS162	SIGHT GLASS: Includes: Item #38.
38	1	-	KK71EW920	> "O" RING,SIGHT GLASS
39	1	-	KM43AG002	SIGHT GLASS (EDUCTOR)
40A	1	-	02XR34003301	DEMISTER ASSEMBLY (PSN 2704Q): Includes: Items #41 - 54.
40B	1	-	02XR04001101	DEMISTER ASSEMBLY (SSN 2704Q): Includes: Items #41 - 54.
41	1	-	02XR34003201	> HOUSING,DEMISTER
42	1	-	02XR25002501	> SUPPORT,DEMISTER
43	1	-	02XR35007301	> FILTER,DEMISTER
44	1	-	02XR05006501	> FILTER,DEMISTER (SSN 2704Q)
45	1	-	02XR35007401	> SUPPORT,DEMISTER
46	1	-	02XR05005801	> COVER,DEMISTER
47	1	-	02XR35007201	> SUPPORT,DEMISTER
48	1	-	02XR05005901	> COVER,DEMISTER
49	1	-	02XR35007601	> SUPPORT,DEMISTER
50	1	-	02XR05006001	> SUPPORT,DEMISTER PLATE
51	2	-	02XB35003801	> SPACER
52	1	-	02XR35007501	> FILTER,DEMISTER(NOTCHED)(PSN 2704Q)
53	1	-	02XR05006502	> FILTER,DEMISTER(NOTCHED)(SSN 2704Q)
54	2	-	AS01XD180	> SPEED NUT
55	1	-	02XR05001501	OIL HEATER (115 VOLT)
56	1	-	AU29AB561	SEAL WASHER (INSIDE)
57	1	-	02XR45005802	BRACKET,HEATER SUPPORT
58	1	-	HX22FB052	EXTERNAL RING,BOX (OIL HEATER)
59	1	-	HX02FB050	COVER,BOX (OIL HEATER)
60	2	-	32MP500354	MOTOR TEMP SENSOR (WITH REWIND ONLY)
61	2	-	HY85FP022	HERMETIC TERM.(THRUST/MTR SENSOR)
62	2	-	HX08FZ050	COVER,BOX (THRUST/MOTOR SENSORS)
63	2	-	HX22FS036	BOX EXTENSION (THRUST/MTR SENSOR)
64	1	-	02XR44004302	THRUST SENSOR ASSEMBLY: Includes: Item #65.
65	1	R	HH79NZ044	> SENSOR (1.38" BULB)
67	1	-	DE08DA401	COUPLING (3/4" TUBE)
68	1	-	02XR05003001	MOTOR COOLING ORIFICE
69	1	-	02XR55005601	ELL CONNECTOR(3/4 X 3/8 FLX1 1/16-12: Includes: Item #70.
70	1	-	KK71EW912	> O-RING,ELL CONNECTOR
71	1	-	02XR54003601	SPRAY NOZZLE,MOTOR COOLING: Important: For proper selection of motor spray nozzle refer to graphic 19068017. (pdf file at right)
72	1	-	02XR05002902	ORIFICE,MOTOR SPRAY: Includes: Item #73.
73	1	-	KK71EW912	> O-RING
74	1	-	DD41CA502	ELBOW,90 DEG. SWIVEL
75	1	-	02XR05003001	MOTOR COOLING ORIFICE
76	6	-	02XR04004301	NOZZLE ASSEMBLY (AUX. COOLING)
81	1	-	KK71EU172	O-RING (27.485 I.D.)
82	9	-	KK71EW014	O-RING (.489 I.D.)
83	1	-	KK71EW018	O-RING (.739 I.D.)
84	1	-	KM36BS162	SIGHTGLASS: Includes: Item #85.
85	1	-	KK71EW920	> O-RING (SIGHTGLASS)

Itm#	Qty	Rec	Part Number	Description
86	1	-	KK71EW020	O-RING (.864 I.D.)
87	7	-	KK71EW912	O-RING (.924)
90	1	-	02XR54014401	NOZZLE ASSEMBLY (AUX. COOLING)
91	1	-	02XR55017601	ELL CONNECTOR(3/4 X 3/8 FLX1 1/16-12
92	2	-	DD19DA201	CAP,FLARE 1/2"
93	2	-	DD24FA151	GASKET,FLARE 1/2"
94	1	-	EP23LA155	VALVE,OIL CHARGE (3/8"NPT)
95	2	-	DD07UA051	FITTING,IMPELLER PRESS. TUBE
96	1	-	EP12BC331	VALVE,ANGLE
98	1	-	AX14CA135	ROLL PIN
99	1	-	DD01CA101	FLARE NUT (3/8)
100	1	-	02XR45006001	POSITIONING WASHER (OIL HEATER)
101	1	-	DD41CA502	ELBOW,90 DEG. SWIVEL
102	3	R	HK05YZ007	TRANSDUCER,PRESSURE
103	5	-	06DA403844	VALVE,SERVICE (SCHRADER)
104	3	-	02XB05000301	STR CONNECTOR(3/8 X 9/16-18): Includes: Item #105.
105	1	-	KK71EW906	> "O" RING,STR CONNECTOR
106	2	-	02XB05000601	ELL CONNECTOR(3/8 X 9/16-18): Includes: Item #107.
107	1	-	KK71EW906	> "O" RING,ELL CONNECTOR
108	2	R	KH11NG070	STRAINER (OIL RECLAIM)
109A	1	-	02XB05002201	EDUCTOR (PSN 3101Q)
109B	1	-	02XR05004303	EDUCTOR (SSN 3101Q THRU PSN 1905Q)
109C	1	-	02XR54018101	EDUCTOR (SSN 1905Q)
109D	1	-	02XR54018001	EDUCTOR (SSN 1905Q)
110	1	-	02XR35006901	FITTING,IN-LINE STRAINER: Includes: Item #111.
111	1	-	KK71EW906	> "O" RING,STRAINER FITTING
112	1	-	DE08DA101	COUPLING,RECLAIM SUCTION LINE
113	1	-	KM43AG002	SIGHTGLASS (3/8 FL)
114A	2	-	02XR05001401	EXPANSION VALVE (PSN 2704Q)
114B	1	-	02XR05004101	EXPANSION VALVE (SSN 2704Q)
115	1	-	HK02ZA165	HIGH DISCHARGE CUTOFF SWITCH
116	2	-	CA64AM125	PLUG,O-RING SEAL (7/16-20): Includes: Item #117.
117	1	-	KK71EW904	> "O" RING,PLUG SEAL
118A	1	-	02XR54001801	SEAL HSG ASY(DIFF. DRIVE)(PSN 2704Q)
118B	1	-	02XR54008901	SEAL HSG ASY(DIFF. DRIVE)(SSN 2704Q)
119A	1	-	02XR44001601	> SEAL HOUSING (PSN 2704Q): Includes: Items #120 - 122.
119B	1	-	02XR04001201	> SEAL HOUSING (SSN 2704Q): Includes: Items #120 - 122.
120	1	-	KK71EW212	> > "O" RING
121	1	-	KT53XL093	> > BUSHING
122	1	-	KK71EW924	> > "O" RING
123A	1	-	02XR55007201	> PINION & SHAFT (PSN 2704Q)
123B	1	-	02XR55015701	> PINION & SHAFT (SSN 2704Q)
124	1	-	19EA411031	> PELLET
125	1	-	AU51YA391	> WASHER,THRUST
126	1	-	KK71EW225	> "O" RING
127	1	-	KK71HT014	> "V" RING ASY
128	1	-	KK71HT016	> "V" RING ASY
129	1	-	KT53XL093	> BUSHING
130	3	-	02XR54002101	WHEEL ASY,VARIABLE DIFFUSER
131	3	-	02XR55003501	CAM LOCK,ROLLER
132	1	-	02XR55007301	GEAR RACK
133	1	-	02XR55007601	BRACKET,ACTUATOR SUPPORT
134	1	-	HF26BB029	MOTOR,ACTUATOR (VARIABLE DIFFUSER): Includes: Item #135.
135	1	-	AD-718-701	> POTENTIOMETER

Itm#	Qty	Rec	Part Number	Description
136	1	-	KK71EU175	"O" RING (SHROUD/BASE)
137	1	-	KK71EW235	"O" RING (DIFFUSER DRIVE SEAL)
138A	1	-	02XR54007701	COUPLING,JAW (PSN 2704Q)
138B	1	-	02XR54009601	COUPLING,JAW (SSN 2704Q)
139	6	-	02XR05002001	SUPPORT FOOT,DIFFUSER
140	1	-	02XR55015001	POINTER
141	1	-	KK71EW128	"O" RING
200	1	-	02XR55011401	BEARING,DRIVE END LO-SPEED
201	1	-	02XR55003902	COVER,HI-SPEED OIL CATCHER
202	1	-	02XR55003901	COVER,LO-SPEED OIL CATCHER
203	1	-	02XR55005301	BEARING,COMPR. END LO-SPEED
204	1	-	02XR55001501	BEARING,DRIVE END HI-SPEED
205	1	-	02XR54005801	SHAFT LABYRINTH,LO-SPEED
209A	1	-	PERMACHINE	ROTOR & LO-SPEED GEAR ASY (60HZ): Includes: Items #210 - 212.
209B	1	-	PERMACHINE	ROTOR & LO-SPEED GEAR ASY (50HZ): Includes: Items #210 - 212.
210A	1	-	02XR55017001	> GEAR,LO-SPEED (60HZ)
210B	1	-	02XR55017002	> GEAR,LO-SPEED (50HZ)
211	1	-	02XR55003801	> RING,RETAINING
212	2	-	02XR45007202	> KEY
213	1	-	02XR54002901	SHROUD ASSEMBLY
214	1	-	02XR55004701	STRIPPER (GEAR OIL)
215A	1	-	02XR54012601	HI-SPEED SHAFT ASY (60HZ): Includes: Items #216 - 227.
215B	1	-	02XR54012602	HI-SPEED SHAFT ASY (50HZ): Includes: Items #216 - 227.
216A	1	-	02XR55017101	> IMPELLER SHAFT (60HZ) (PSN 2404Q)
216B	1	-	02XR55017102	> IMPELLER SHAFT (50HZ) (PSN 2404Q)
217	1	-	02XR55010401	> SLINGER
218	1	-	19XR660025	> THRUST BEARING ASSEMBLY: Includes: Item #219.
219	12	-	AX14CA035	> > ROLL PIN
220	1	-	02XR54004301	> THRUST SHOE ASSEMBLY (SET OF 6)
221	1	-	02XR55010101	> SPACER RING
222	1	-	02XR55010301	> SEAL RING
223	1	-	AU48AA591	> RETAINING RING
224	1	-	02XR55010201	> RETAINING RING (5-1/2")
225	12	-	19D320052	> LEVELING PAD
226	1	-	19D23841	> ADJUSTING PAD PACKAGE
227	5	-	AA44AA109	> SCREW, SOCKET HEAD
228	1	-	02XR44000501	BLADE RING ASSEMBLY (PSN 4801Q): Includes: Items #229 - 240.
229	1	-	19EA511003	> PULLEY,DRIVE (PSN 4801Q)
230	6	-	19EA512142	> PULLEY,BLADE (PSN 4801Q)
231	7	-	19C476131	> PULLEY,IDLER (PSN 4801Q)
232	7	-	19EA52418	> BLADE,PREWHIRL (PSN 4801Q)
233	1	-	19EA51102	> CABLE ASSEMBLY (PSN 4801Q)
234	1	-	AH27AM295	> BOLT,SHOULDER (PSN 4801Q)
235	2	-	AX01AA027	> COTTER PIN (3/32) (PSN 4801Q)
236	14	-	KT53XL102	> BUSHING,BLADE (PSN 4801Q)
237	7	-	KT53XL065	> BUSHING,IDLER PULLEY (PSN 4801Q)
238	2	-	AE13AR170	> SET SCREW (1/4-20) (PSN 4801Q)
239	7	-	AU48AR062	> SNAP RING (PSN 4801Q)
240	7	-	19EA512012	> WASHER (PSN 4801Q)
241	1	-	02XR44011201	BLADE RING ASSEMBLY (SSN 4801Q): Includes: Items #242 - 250.
242	1	-	02XR45011001	> PULLEY,DRIVE (SSN 4801Q)
243	6	-	02XR05007001	> PULLEY,BLADE (SSN 4801Q)
244	7	-	19C476131	> PULLEY,IDLER (SSN 4801Q)
245	7	-	19EA52418	> BLADE,PREWHIRL (SSN 4801Q)

Itm#	Qty	Rec	Part Number	Description
246	1	-	02XR04001303	> CABLE ASSEMBLY (SSN 4801Q)
247	7	-	19EA512022	> PIN,TAPERED SHAFT (SSN 4801Q)
248	14	-	KT53XL102	> BUSHING,BLADE (PSN 4801Q)
249	7	-	KT53XL065	> BUSHING,IDLER PULLEY (SSN 4801Q)
250	7	-	AT40AA301	> JAM NUT (SSN 4801Q)
251	1	-	02XB35008101	SEAL HOUSING
252	1	-	02XR04001201	SEAL HOUSING ASY.: Includes: Items #253 - 255.
253	1	-	KT53XL093	> BUSHING
254	1	-	KK71EW212	> "O" RING
255	1	-	KK71EW924	> "O" RING
262	1	-	02XR44001601	SEAL RETAINER
263	1	-	KT53XL093	BUSHING
264A	1	-	02XR45004402	DRIVE SHAFT (S'LESS STEEL)(PSN 2704Q)
264B	1	-	02XR05004405	DRIVE SHAFT (S'LESS STEEL)(SSN 2704Q)
265	1	-	KK71HT016	"V" RING (INNER)
266	1	-	KK71HT014	"V" RING (OUTER)
267	1	-	KK71EW228	"O" RING (2.50"OD)
268	1	-	AU51YA391	WASHER
269	1	-	19EA411031	PELLET (1/8" DIA NYLON)
270	1	-	AX14CA044	ROLL PIN (11/16" LG)
271	1	-	19D211391	KEY
272	1	-	HF26BB026	MOTOR,ACTUATOR (PIC I MACH.): Includes: Items #273 - 274.
273	1	-	AD-718-702	> POTENTIOMETER (PIC I)
274	1	-	HF39CB001	> MODULE,DRIVE (PIC I)
275	1	-	HF26BB030	MOTOR,ACTUATOR (PIC II & PIC III): Includes: Items #276 - 277.
276	1	-	AD-718-704	> POTENTIOMETER PIC II & PIC III)
277	1	-	CP-8391-920	> MODULE,DRIVE PIC II & PIC III)
278	1	-	02XR05002801	MOUNTING PLATE (ABS)
279	1	-	02XR05003301	CHAIN GUARD (ABS)
280	1	-	19FA660016	CHAIN KIT (#35) (3/8"PITCH)
281	1	-	17FA5021583	SPROCKET,HUB
282A	1	-	17FA5021712	SPROCKET,DRIVE (PSN 2704Q)
282B	1	-	02XR05009201	SPROCKET,DRIVE (SSN 2704Q)
283A	1	-	17FA5121543	SPROCKET,SHAFT (PSN 2704Q)
283B	1	-	02XR05005701	SPROCKET,SHAFT (SSN 2704Q)
284	9	-	AT99RA101	EXPANSION NUT (#8 NYLON)
285	2	-	AE12AA196	SET SCREW (5/16-18 X 1/2"LG)
286	3	-	17FA5021762	SPACER (1/2")
287	2	-	02XR45006202	SPACER (1-1/8")
288	2	-	02XR45006201	SPACER (1-7/8")
289	1	-	17FA5021782	KEY
290	6	-	AU51AS391	SPRING WASHER (LO-VOLT)(INTERNAL)
291	6	-	02XR45004301	LO-VOLTAGE TERMINAL ASY.: Includes: Item #292.
292	6	-	KK71EW924	> LO-VOLT TERMINAL "O" RING
293	1	-	19XR55001801	LO-VOLTAGE TERMINAL FOAM PAD
294	1	-	19XR44000401	LO-VOLTAGE TERMINAL FRAME ASY.
295	6	-	02XB05001801	THERMAL INSULATOR (1 1/8"OD)
296	1	-	19EA4111102	INSULATING PUTTY,MED-VOLT TERMS.
297	1	-	19EA4111112	ELECTRICAL TAPE,MED-VOLT TERMS.
298	3	-	19XR660064	HI-VOLTAGE TERMINAL ASY.: Includes: Items #299 - 301.
299	3	-	KK71EW325	> HI-VOLTAGE TERM. "O" RING (INNER)
300	3	-	KK71EW311	> HI-VOLTAGE TERM. "O" RING (OUTER)
301	1	-	19XR660018	> HI-VOLTAGE TERMINAL REBUILD KIT: Note: Consists Of Hex Nut, Washer, Sleeves And "O" Rings.
302	3	-	02XB05003101	HI-VOLTAGE TERMINAL STUD: Note: Terminal Stud May Req. Field Modification Before Installation.

Itm#	Qty	Rec	Part Number	Description
303	3	-	02XB05002901	HI-VOLTAGE CONNECTOR LUG
304	1	-	19XR45001501	HI-VOLTAGE TERMINAL FOAM PAD
305	1	-	19XR75001401	HI-VOLTAGE TERMINAL FOAM PAD
306	1	-	19XR44001201	HI-VOLTAGE TERMINAL,FRAME ASY.
307	2	-	KK71EW128	"O" RING (TERMINAL PLATE)
308A	1	-	02XR54002701	OIL PUMP ASY (200/240-60)W/OIL FILTER
308B	1	-	02XR54002702	OIL PUMP ASY (380/480-60)W/OIL FILTER
308C	1	-	02XR54002705	OIL PUMP ASY (507/619-60)W/OIL FILTER
308D	1	-	02XR54002703	OIL PUMP ASY (220/240-50)W/OIL FILTER
308E	1	-	02XR54002704	OIL PUMP ASY (346/440-50)W/OIL FILTER: Note: Oil Pump Assembly Item 308 Includes Internal Oil Filter. Oil Pump Assemblies Include Items That Make Up Service Packages.
309A	1	-	02XR04002106	OIL PUMP ASY (200/240-60)W/O OIL FILTER
309B	1	-	02XR04002107	OIL PUMP ASY (380/480-60)W/O OIL FILTER
309C	1	-	02XR04002110	OIL PUMP ASY (507/619-60)W/O OIL FILTER
309D	1	-	02XR04002108	OIL PUMP ASY (220/240-50)W/O OIL FILTER
309E	1	-	02XR04002109	OIL PUMP ASY (346/440-50)W/O OIL FILTER: Note: Oil Pump Asy Item 309 Are Used With External Inline Oil Filter. Oil Pump Assemblies Include Items That Make Up Service Packages.
310A	1	-	02XB34013801	SERVICE PKG,STATOR (FOR IT#308 ONLY): Note: Stator Good For A Minimum Of 346V To Maximum Of 619V, All Hertz.
310B	1	-	02XB34013802	SERVICE PKG,STATOR (FOR IT#308 ONLY): Note: Stator Good For A Minimum Of 200V To Maximum Of 240V, All Hertz.
310C	1	-	02XR04003501	SERVICE PKG,STATOR (FOR IT#309 ONLY): Note: Stator Good For A Minimum Of 346V To Maximum Of 619V, All Hertz.
310D	1	-	02XR04003502	SERVICE PKG,STATOR (FOR IT#309 ONLY): Note: Stator Good For A Minimum Of 200V To Maximum Of 240V, All Hertz.
310E	1	-	02XR54012902	SERVICE PKG,ROTOR (COPELAND) (60HZ): Can be used with items #308 or #309 Includes: Items #311 - 322.
310F	1	-	02XR54012902	SERVICE PKG,ROTOR (COPELAND) (50HZ): Can be used with items #305 or #306 Includes: Items #311 - 322.
311	1	-	02XR55005501	> MACHINE COVER
312	1	-	19EA5111143	> COVER,PUMP END
313	1	-	19EA5111133	> PUMP SHAFT
314	1	-	02XB05002401	> ROTOR (COPELAND)
315	1	-	02XB35024601	> SLEEVE (LONG)
316	1	-	02XB35024701	> SLEEVE (SHORT)
317	4	-	19EA517012	> PUMP VANE
318	2	-	19D211011	> CLAMPING RING
319	2	-	AX11AR168	> DOWEL PIN (3/4" LONG)
320	2	-	AX11AR172	> DOWEL PIN (1-1/4" LONG)
321	1	-	NOTSOLDSEPARATELY	> HEX HD CAP SCREW (1/2-13 X 4")
322	1	-	NOTSOLDSEPARATELY	> SOCK.HD SCREW (5/16-18 X 3/4")
323	1	-	CA63AA001	> PIPE PLUG (1/8")
324	2	-	CA63AM200	> PLUG (W/"O" RING)
325	1	-	KK71EW905	> "O" RING
326	1	-	AA44AA203	> SCREW (5/16-18 X 1-1/2LG)
327	1	-	KK71EW134	"O" RING (HERM TERM) (2 1/16"OD)
328	1	-	HY85FP032	HERMETIC TERMINAL (5 PIN)
329	1	-	KK71EW263	"O" RING (PUMP W/O FILTER)
330	1	-	KK71EW257	"O" RING (PUMP W/FILTER)
331	1	-	KK71EW165	"O" RING
332	1	-	02XR54003001	RELIEF VALVE ASY (REGULATOR)
333	1	-	KK71EW023	"O" RING (1 3/16"OD)
334	1	-	EP23LA155	VALVE (3/8")
335A	1	-	02EX55000401	OIL COOLER (PSN 2404Q)
335B	1	-	02XR05003201	OIL COOLER (SSN 2404Q)
336	1	-	KK71EW223	"O" RING (1 7/8"OD)
337	1	R	02XB660004	FILTER KIT: Includes: Items #338 - 339.
338	1	R	KH09AZ003	> FILTER CORE
339	1	-	KK71EW245	> "O" RING (4 5/8"OD)

Itm#	Qty	Rec	Part Number	Description
340	1	-	02XB35015201	ROD (FILTER SUPPORT)
341	1	-	AT55BA201	HEX LOCK NUT (5/16-18)
342	1	-	02XB35014901	FILTER RETAINER
343	1	-	02XR05009602	CLAMP,OIL FILTER
344	1	R	02XR05006201	OIL FILTER,INLINE (W/SEAL)
345	1	-	02XR04003001	VALVE,SHUTOFF
346	2	-	02XR05010601	VALVE,SHUTOFF
347	1	R	HK05YZ007	TRANSDUCER,PRESSURE
348	1	-	24592	"O" RING,INLINE OIL FILTER
349	1	-	PICICONTROLS	PIC I CONTROL USED UNTIL WK#28 1998: Note: See Service Bulletin C9831 For More Details.
349A	1	-	19XR54004501	POWER PANEL ASY,BASIC (PIC I): Includes: Items #350 - 364.
349B	1	-	19XR54004502	POWER PANEL ASY,OPTIONS (PIC I): Includes: Items #350 - 364.
350	1	-	HT01BD113	> TRANSFORMER (21V) (T1)
351	2	-	HT01AW235	> TRANSFORMER (24V) (T2) & (T3)
352	1	-	HT01BD113	> TRANSFORMER ASY (OPTIONS)(T4): Includes: Items #353 - 355.
353	1	-	HT01BD113	> > TRANSFORMER (21V)
354	1	-	HY06MP081	> > PLUG
355	3	-	HY57MP019	> > PIN
356	2	-	HN53CC024	> CONTACTOR(3 POLE)(OIL PUMP/HEATER)
357	1	-	HN53AB035	> AUXILIARY CONTACTOR (SIDE MOUNT)
358	1	R	HK06UB011	> PRESSURE SWITCH,DIFF.
359	1	-	19XB05000401	> BARRIER
360	1	-	19XB05002301	> TERMINAL BLOCK
361	1	-	HR67ZZ125	> VOLTAGE SELECTOR SWITCH
362	1	-	19XB04002501	> WIRE HARNESS (15 WIRE) 5AMP
363	1	-	HY90HR001	> GROUND LUG
364	1	-	19XR04000502	> COVER ASY (W/LABEL)
365	1	-	PICICONTROLS	PIC I CONTROL USED UNTIL WK#28 1998: Note: See Service Bulletin C9831 For More Details.
366A	1	-	19XR54004101	CONTROL PANEL ASY,BASIC (PIC I): Includes: Items #367 - 407.
366B	1	-	19XR54004102	CONTROL PANEL ASY,OPTIONS (PIC I): Includes: Items #367 - 407.
367	1	-	19EX04003101	> PANEL ASY (SHT. MTL.): Includes: Items #368 - 369.
368	1	-	19XT05000401	> > ANGLE,SUPPORT
369	1	-	19XB05001201	> > HINGE
370	1	-	19EX04000501	> DOOR PANEL ASY
371	1	-	KA19NL010	> CAM LOCK (W/KEYS)
372	1	-	CES0130036	> LID ASY (LOCAL INTERFACE DISPLAY)
373	1	-	CECO120803-01	> LID BATTERY (SEE SB C9623)
374	1	-	HK35AA003	> RELAY BOARD (6 PACK)
375	1	-	HK35AA007	> POWER SUPPLY/COMPARITOR (5V DC)
376	1	-	19XR04017404	> MODULE ASY (PSIO)
377	1	-	CECO120803-01	> PSIO BATTERY (SEE SB C9623)
378	1	-	CES0130038	> CONTROL BOARD (SPLIT RING DIFFUSER)
379	4	-	HH83ZB001	> CIRCUIT BREAKER (3.2 AMPS)
380	2	-	KA58MR001	> RUBBER BUMPER
381	1	-	HT21AZ111	> RESISTOR (4.3K)
382	1	-	19XR04008201	> WIRE HARNESS ASY (15 WIRE)
383	1	-	19XR04009601	> WIRE HARNESS ASY (5 WIRE)
384	1	-	19XB04003301	> WIRE ASSEMBLY (RESISTORS): Includes Item #385.
385	3	-	HT21AZ110	> > RESISTOR (10K 1/2 W)
386	1	-	19EX04001601	> CABLE ASY(MTR. WINDING TEMP)
387	1	-	19EX04001602	> CABLE ASY(THRUST BEARING TEMP)
388	1	-	HH79NZ064	> CABLE ASY(COOL. LEAVING WATER TEMP)
389	1	-	HH79NZ064	> CABLE ASY(COND. ENTERING WATER TEMP)

Itm#	Qty	Rec	Part Number	Description
390	1	-	HH79NZ064	> CABLE ASY(COMPR. SUMP OIL TEMP)
391	1	-	HH79NZ064	> CABLE ASY(COOL. ENTERING WATER TEMP)
392	1	-	HH79NZ064	> CABLE ASY(COND. LEAVING WATER TEMP)
393	1	-	19EX54002702	> CABLE ASY(GUIDE VANE ACUATOR)
394	1	-	HH79NZ064	> CABLE ASY(COMPR. DISCH. TEMP)
395	1	-	19XB660008	> CABLE ASY(COMPR. OIL PRESS.)
396	1	-	19XB660008	> CABLE ASY(COND. & COOL. PRESS.)
397	1	-	19XB660008	> CABLE ASY(STARTER COMMUNICATION)
398	1	-	19XR04009501	> CABLE ASY(DIFFUSER ACTUATOR)
399	1	-	19XB660008	> CABLE ASY(DIFFUSER ACTUATOR)
400	1	-	HY84EE004	> CONNECTOR PLUG (4 PIN) (SIDE PSIO)
401	1	-	HY84EE003	> CONNECTOR PLUG (3 PIN) (SIDE PSIO)
402	3	-	HY84EE021	> CONNECTOR PLUG (18 PIN)
403	1	-	HY06MP106	> CONNECTOR PLUG (6 PIN)
404	1	-	HY06AM015	> CONNECTOR PLUG (2 PIN)
405	1	-	HY84EE103	> CONNECTOR PLUG (3 PIN)(SRD BOARD)
406	1	-	HY84EE112	> CONNECTOR PLUG (12 PIN) (SRD BOARD)
407	1	-	HK50AA006	> MODULE (INPUT)(OPTIONS PANEL ONLY)
408	4	R	HH79NZ059	TEMPERATURE SENSOR (W/BOX NOZZLE)
409	2	R	HK05YZ007	TRANSDUCER,PRESSURE(COOL/COND)(PIC 1)
410	1	-	CES0121319-01	STARTER MANAGEMENT MODULE (SMM)
411	4	-	32MP400333	TEMP SENSOR PKG (SHIPPED IN CONT BOX): Includes: Items #412 - 413.
412	1	R	HH79NZ024	> SENSOR (20" LEAD)
413	1	-	DC99RA015	> MALE CONNECTOR
414	1	-	PICII&IIICONTROL	PIC II/III CONTROLS AFTER WK#28 1998: Note: See Service Bulletin C9831 For More Details.
415A	1	-	19XR04016404	CONTROL PANEL (PIC II)(STANDARD)(CVC): Note: Used On Machines With A Serial Number Prior To 4101QXXXXX.
415B	1	-	19XR04016405	CONTROL PANEL (PIC II)(W/DATAPORT)(CVC): Note: Used On Machines With A Serial Number Prior To 4101QXXXXX.
415C	1	-	19XR04016406	CONTROL PANEL (PIC II)(W/DATALINK)(CVC): Note: Used On Machines With A Serial Number Prior To 4101QXXXXX.
416D	1	-	19XR04030704	CONTROL PANEL (PIC II)(STANDARD)(ICVC): Note: Used On Machines With A Serial Number After 4101QXXXXX And Without a VFD Or With A Liquid Flo I VFD.
416E	1	-	19XR04030705	CONTROL PANEL (PIC II)(W/DATAPORT)(ICVC): Note: Used On Machines With A Serial Number After 4101QXXXXX And Without A VFD Or With A Liquid Flo I VFD.
416F	1	-	19XR04030706	CONTROL PANEL (PIC II)(W/DATALINK)(ICVC): Note: Used On Machines With A Serial Number After 4101QXXXXX And Without A VFD Or With A Liquid Flo I VFD.
416G	1	-	19XR04030804	CONTROL PANEL (PIC III) (STANDARD): Note: Used On Machines With A Serial Number After 4101QXXXXX And With a Liquid Flo II VFD.
416H	1	-	19XR04030805	CONTROL PANEL (PIC III) (W/DATAPORT): Note: Used On Machines With A Serial Number After 4101QXXXXX And With a Liquid Flo II VFD.
416J	1	-	19XR04030806	CONTROL PANEL (PIC III) (W/DATALINK): Note: Used On Machines With A Serial Number After 4101QXXXXX And With a Liquid Flo II VFD.
417	1	-	23XL05007901	> TERMINAL BLOCK
418A	1	-	19XR04011605	> CONTROLLER,CHILLER VISUAL (CVC): Note: Used On Machines With A Serial Number Prior To 4101QXXXXX
418B	1	-	19XR04023407	> CONTROLLER,CHILLER VISUAL (ICVC): Note: Used On PIC II Machines With a Serial Number After 4101QXXXXX
418C	1	-	19XR04029402	> CONTROLLER,CHILLER VISUAL (ICVC): Note: Used On PIC III Machines with Liquid-Flo II VFD's.
419	1	-	CES0130038	> MODULE,CHILLER CONTROL (CCM)
420	2	R	HH83ZB001	> CIRCUIT BREAKER (CB)
421	1	-	HT21AZ111	> RESISTOR (4.3K) (TERM. 7 TO 8)
422	1	-	KA19NL010	> CAM LOCK (W/KEYS)
423	2	-	KA58MR001	> BUMBER,RUBBER
424	2	-	19XR05007401	> BOLT,SHOULDER (SPECIAL)
425	1	-	19XR05007501	> COVER,PANEL

Itm#	Qty	Rec	Part Number	Description
426A	1	-	CEPL130363-01	> MODULE,DATAPORT OPTION
426B	1	-	CEFA121549-02	> MODULE,DATALINK OPTION
427	1	-	HY06MP106	> CONNECTOR (6 PIN) (J12)
428	1	-	HY07MP505	> CONNECTOR (5 PIN) (J1 ON CVC)
429	1	-	HY06AM015	> CONNECTOR (2 PIN)
430	1	-	HY84EE103	> CONNECTOR (3 PIN)
431	1	-	HY84EE104	> CONNECTOR (4 PIN)
432	1	-	HY84EE106	> CONNECTOR (6 PIN)
433	1	-	HY84EE112	> CONNECTOR (12 PIN) (MARKED 1-12)
434	1	-	HY84EE132	> CONNECTOR (12 PIN) (MARKED 13-24)
435	1	-	HY84EE114	> CONNECTOR (14 PIN) (MARKED 1-14)
436	1	-	HY84EE134	> CONNECTOR (14 PIN) (MARKED 15-28)
437	1	-	19XB660008	> CABLE,PRESS. TRANSDUCER (3 WIRE)
438	1	-	HH79NZ064	> CABLE,TEMPERATURE SENSOR (2 WIRE)
439	1	-	19XR04010701	> WIRE HARNESS (10 WIRE)
440	1	-	19XR05013701	> BRACKET,MOUNTING (DL & DP MODULE)
441	1	-	19XR05009701	> CABLE ASY (CCM TO CVC)
442	3	R	HH79NZ031	> SENSOR,TEMP. (WELL INSERTION): Note: Included With Control Panels Installed On Machines With Serial Numbers After 4101QXXXXX. For Direct Insertion Temp. Sensors See Item #491. Compr. Disch. & Sump Temp, Cooler Saturation Temp. Sensor Includes Intergral Cable.
443	4	R	HH79NZ032	> SENSOR,TEMP. (WELL INSERTION): Note: Included With Control Panels Installed On Machines With Serial Numbers After 4101QXXXXX. For Direct Insertion Temp. Sensors See Item #491. Cooler & Condenser Entering And Leaving Temp. Sensor Includes Intergral Cable.
444	1	R	19EF5011212	WELL,TEMP. SENSOR (USED W/IT 475 & 476)
445	1	R	23XR04007701	SENSOR,HUMIDITY (FLOTRONIC II VFD)
446	1	-	PICII&IIICONTROL	PIC II/III CONTROLS AFTER WK#28 1998: Note: See Service Bulletin C9831 For More Details.
447A	1	-	19XR04009902	POWER PANEL ASY (PIC II) (SEE NOTE!): Note: (Standard) Used On Machines With A Serial Number Prior To 4101Q And Without A VFD Or With A Liquid Flo I VFD.
447B	1	-	19XR04009902	POWER PANEL ASY (PIC II) (SEE NOTE!): Note: (Standard) Used On Machines With A Serial Number After 4101Q And Without A VFD Or With A Liquid Flo I VFD.
447C	1	-	19XR04023002	POWER PANEL ASY (PIC II) (SEE NOTE!): Note:(Dataport/Link) Used On Machines With A Serial Number After 4101Q And Without A VFD Or With A Liquid Flo I VFD.
447D	1	-	19XR04031403	POWER PANEL ASY (PIC III) (SEE NOTE!): Note: Used On Standard Controls Machines.
447E	1	-	19XR04031203	POWER PANEL ASY (PIC III) (SEE NOTE!): Note: Used On Dataport/Datalink Controls Machines.
448	1	-	19XB05000301	> COVER,PANEL
449	1	-	19XB05000401	> BARRIER
450	1	-	HT01AW235	> TRANSFORMER (T1)
451	1	-	HT01AW235	> TRANSFORMER (T2)
452	1	-	19XR05013101	> TERMINAL BLOCK
453	1	-	HN53CC024	> CONTACTOR (OIL HEATER)
454	1	-	HN53AB035	> AUXILIARY CONTACTOR (SIDE MOUNT)
455	1	-	HN53HC023	> CONTACTOR (OIL PUMP)
456	1	-	HY90HR001	> GROUND LUG
458	1	-	19XR04010001	MOUNTING BRACKET,CONTROL PANEL
459	7	R	HK05YZ007	TRANSDUCER,PRESSURE
460	5	R	HH79NZ059	SENSOR,TEMPERATURE (DIRECT INSERTION): Note: Direct Insertion Type Used On Machines With Serial Numbers Prior To 4101QXXX. For Well Insertion Type See Items 475 & 476.
461	1	-	19XR04012202	INTEGRATED STARTER MODULE W/SCHEMATIC
462A	1	R	ATO-1	> FUSE,ISM (USED W/19XR04002201)
462B	1	R	GDB-1A	> FUSE,ISM (USED W/19XR04002202)
463	1	-	19XR04029501	CABLE ASY (VFD FLO II SOLENOID)
464	1	-	23XR05006601	VALVE,SOLENOID (LIQ FLO 2 VFD)
465	1	-	EP71BA331	VALVE,BALL (LIQ FLO 2 VFD)
466	5	-	DF34CA019	CONNECTOR,BRAZE (THREADED CONN.)

Itm#	Qty	Rec	Part Number	Description
467	3	-	KK71EW016	O-RING (VFD COOL.)(THREADED CONN.)
468	3	-	DF02CA025	SLEEVE,BRAZE O-RING FACE SEAL)
469	3	-	DF01CA007	NUT (O-RING FACE SEAL)
470	1	R	23XR05015401	STRAINER,REFRIGERANT (FLO II VFD)
471	3	-	CT99QX501	GASKET,RING (3")
472	2	-	CT99QX601	GASKET,RING (4")
473	2	-	CT99QX651	GASKET,RING (5")
477	3	-	CT99QN951	GASKET,RING (12")
478	2	-	CT99QX960	GASKET,RING (16")
479	4	-	19EB660005	VALVE,RELIEF (COND.)
480	4	-	19EB660005	VALVE,RELIEF (COOL.)
481	2	-	EP83CC301	VALVE,SHUTOFF (1")
482	2	-	CA53AA424	BUSHING,REDUCER (COOL/COND RELIEF)
483	1	-	KH42ME060	FILTER,REFRIGERANT (OIL RECLAIM)
484	3	-	KK71EW223	"O" RING (2-BOLT FLANGE)
485	1	-	KK71EW229	"O" RING (4-BOLT FLANGE)
486	2	-	EP71BA121	VALVE,BALL (3/8")
487	1	-	AMI-1SS3	SIGHTGLASS
488	1	-	KK71EW262	"O" RING,DRAIN
489	1	-	EP71CQ422	VALVE,BALL (1-1/2")
490	2	-	EP71BA271	VALVE,BALL (7/8")
491	1	R	KH45LE170	DRIER,FILTER (7/8") (13-5/8 LONG)
492	1	R	KH45LE171	DRIER,FILTER (7/8") (7-5/8 LONG): Note: This Filter Drier Is Used With Sweated Joints. For Alternative See Item 493.
493	1	R	19XR680047	DRIER,FILTER (7/8") (7-5/8)(SEE NOTE): Note: Used With Rotoloc Fittings. For First Time Installation 2 Item 494's Must Also Be Ordered.
494	2	-	02XR05005101	ROTALOC FITTING 7/8 (SEE NOTE)
495	1	-	KM43AG501	INDICATOR,MOISTURE (7/8")
496	3	-	99CC409372	CAP,SERVICE VALVE
497A	3	-	EP71CQ182	VALVE,SERVICE (1/2") (LEVER STYLE)
497B	3	-	EP71CZ182	VALVE,SERVICE (1/2")
498	2	-	06DA403844	VALVE,SCHRADER
499	1	-	KM03AC256	GAUGE,PRESSURE
500A	1	-	09XR04001101	SCREEN,FLOAT VALVE (PSN 4505Q)
500B	1	-	09XR04005801	SCREEN,FLOAT VALVE (SSN 4505Q)
501	1	-	09XR04005304	VALVE ASY,FLOAT (COND.): Includes: Items #502 - 506.
502	3	-	AU45AZ025	> RING,RETAINING
503	1	-	09XR05003801	> PIN,DRIVE (COND.) (PSN 3503Q)
504	1	-	09XR05013003	> SHAFT,FLOAT(COND.)(SSN 3503Q)
505	2	-	09XR05011301	> BEARING,FLOAT SHAFT (SSN 3503Q)
506	2	-	09XR05013203	> SPACER (SSN 3503Q) (COND.)
507	3	-	AU04AV241	WASHER,FLOAT VALVE
508	1	-	DD07DA101	COUPLING (3/8 MPT X 3/8 MFL)
509	1	-	KK71EW468	"O" RING,FLOAT VALVE (COND.)
510A	1	-	ER39MZ890	VALVE,BUTTERFLY (DISCH. ISOLATION): Note: Used On Machines Built Prior To Week 40,2000.
510B	1	-	19XR05016407	VALVE,BUTTERFLY (DISCH. ISOLATION): Note: Used On Machines Built After Week 40,2000. (No Gaskets Required)
513	1	-	540003011	> O-RING KIT (4") (FOR 19XR05016402)
514	1	-	540003014	> O-RING KIT (5") (FOR 19XR05016403)
515A	1	-	ER38MZ711	VALVE,BUTTERFLY (COOL. ISOL.) (FR#7): Note: Used On Machines Built Prior To Week 40,2000.
515B	1	-	19XR05016402	VALVE,B-FLY (COOL. ISOL.) (FR#7)(4"): Note: Used On Machines Built After Week 40,2000. (No Gaskets Required)
516A	1	-	ER38MZ801	VALVE,BUTTERFLY (COOL. ISOL.) (FR#8): Note: Used On Machines Built Prior To Week 40,2000.
516B	1	-	19XR05016403	VALVE,B-FLY (COOL. ISOL.) (FR#8)(5"): Note: Used On Machines Built After Week 40,2000. (No Gaskets Required)
518	1	-	TUBEQUANTITY	COOLER TUBE (SEE NOTE): Note: To Obtain The Proper Tubes For Your Particular Machine Contact Your Carrier (RCD) Rep. You Must Provide Machine Serial No.

Itm#	Qty	Rec	Part Number	Description
518A	1	-	644	COOLER TUBE QTY. (FR# 70,75)
518B	1	-	726	COOLER TUBE QTY. (FR# 71,76)
518C	1	-	790	COOLER TUBE QTY. (FR# 72,77)
518D	1	-	829	COOLER TUBE QTY. (FR# 80,85)
518E	1	-	901	COOLER TUBE QTY. (FR# 81,86)
518F	1	-	976	COOLER TUBE QTY. (FR# 82,87)
519	1	-	TUBEQUANTITY	CONDENSER TUBE (SEE NOTE): Note: To Obtain The Proper Tubes For Your Particular Machine Contact Your Carrier (RCD) Rep. You Must Provide Machine Serial No.
519A	1	-	781	CONDENSER TUBE QTY. (FR# 70,75)
519B	1	-	870	CONDENSER TUBE QTY. (FR# 71,76)
519C	1	-	956	CONDENSER TUBE QTY. (FR# 72,77)
519D	1	-	990	CONDENSER TUBE QTY. (FR# 80,85)
519E	1	-	1080	CONDENSER TUBE QTY. (FR# 81,86)
519F	1	-	1170	CONDENSER TUBE QTY. (FR# 82,87)
520	1	-	19XB680001	GASKET,DIVISION PLATE (25' ROLL)
521	1	-	10XR75000401	COOLER W/B GASKET (NIH) (FR#7): Used on Frame #7 Coolers with Nozzle in Head & Blank Head waterbox styles. See drawing for style clarification.
522	1	-	10XR85000601	COOLER W/B GASKET (NIH) (FR#8): Used on Frame #7 Coolers with Nozzle in Head & Blank Head Waterbox styles. See drawing for style clarification.
523	1	-	09XR75000901	CONDENSER W/B GASKET (NIH) (FR#7): Used on Frame #7 Condensers with Nozzle in Head & Blank Head Waterbox styles. See drawing for style clarification.
524	1	-	09XR85000901	CONDENSER W/B GASKET (NIH) (FR#8): Used on Frame #8 Condensers with Nozzle in Head & Blank Head Waterbox styles. See drawing for style clarification.
525	1	-	10XR75000401	COOLER W/B GASKET (MARINE) (FR#7): Used on Frame #7 Coolers with Marine Waterbox styles. See drawing for style clarification.
526	1	-	10XR85000601	COOLER W/B GASKET (MARINE) (FR#8): Used on Frame #8 Coolers with Marine Waterbox styles. See drawing for style clarification.
527	1	-	09XR75000901	CONDENSER W/B GASKET (MARINE) (FR#7): Used on Frame #7 Condensers with Marine Waterbox styles. See drawing for style clarification.
528	1	-	09XR85000901	CONDENSER W/B GASKET (MARINE) (FR#8): Used on Frame #8 Condensers with Marine Waterbox styles. See drawing for style clarification.
529	1	-	09XR05007004	COOLER W/B GASKET (DISHED) (FR#7): Used on Frame #7 Coolers with Dished Head & Blank Head Waterbox styles See drawing for style clarification.
530	1	-	09XR05007005	COOLER W/B GASKET (DISHED) (FR#8): Used on Frame #8 Coolers with Dished Head & Blank Head Waterbox styles See drawing for style clarification.
531	1	-	09XR05007004	CONDENSER W/B GASKET (DISHED) (FR#7): Used on Frame #7 Condensers with Dished Head & Blank Head Waterbox styles. See drawing for style clarification.
532	1	-	09XR05007005	CONDENSER W/B GASKET (DISHED) (FR#8): Used on Frame #8 Condensers with Dished Head & Blank Head Waterbox styles. See drawing for style clarification.
533	1	-	09XR75001901	CONDENSER W/B GASKET (BOLTED MARINE): Used on Frame #7 Condensers with Bolted on Marine Waterbox styles. See drawing for style clarification.
535	1	-	19XR74003401	VALVE,SOLENOID
536	1	-	HN61KQ120	PILOT RELAY
537A	1	-	19EA411113	PUMPDOWN ASSEMBLY (208-3-60)
537B	1	-	19EA421113	PUMPDOWN ASSEMBLY (230-3-60)
537C	1	-	19EA431113	PUMPDOWN ASSEMBLY (400/460-3-50/60)
537D	1	-	19EA461113	PUMPDOWN ASSEMBLY (575-3-60)
538A	1	-	06DM8086GC3250	> COMPRESSOR ASY (208/230-3-60)
538B	1	-	06DM8086GC3650	> COMPRESSOR ASY (400/460-3-50/60)
538C	1	-	06DM8086GC3150	> COMPRESSOR ASY (575-3-60)
539	1	-	6D43172	> GASKET SET
540	1	-	NOLONGERAVAILABLE	> VALVE PLATE PACKAGE (1-13/16" BORE): Includes: Items #541 - 547.
541	1	-	NOLONGERAVAILABLE	> VALVE PLATE ASY

Itm#	Qty	Rec	Part Number	Description
542	2	-	6D751062	> > DISCHARGE VALVE
543	2	-	6D751072	> > DISCHARGE VALVE STOP
544	2	-	6D401021	> > SUCTION VALVE SPRING
545	2	-	6D451072	> > SUCTION VALVE
546	1	-	6D401073	> > GASKET,VALVE PLATE
547	1	-	05GA502213	> > GASKET,CYLINDER HEAD
548	1	-	06DA660120	> VALVE PLATE PACKAGE (2" BORE): Includes: Items 549 - 557.
549	1	-	06DA404674	> > VALVE PLATE ASY.
550	1	-	05DA500153	> > GASKET,VALVE PLATE
551	1	-	05GA502213	> > GASKET,CYLINDER HEAD (PLAIN)
552	1	-	05GA502223	> > GASKET,CYLINDER HEAD (S.C.O.U.)
553	2	-	06DA502903	> > SUCTION VALVE
554	2	-	6D401021	> > SPRING,SUCTION VALVE POSITIONING
555	1	-	05GA502173	> > GASKET,CYLINDER HEAD (CENTER BANK)
556	1	-	06DA502923	> > GASKET,VALVE PLATE (LESS I PORT)
557	1	-	7J16032	> > DOWEL PIN
558	2	-	6D68962	> PISTON & PIN PACKAGE
559	2	-	5D401372	> ECCENTRIC STRAP
560	2	-	AU50CP355	> COMPRESSION RING
561	1	-	06DA660060	> BEARING HEAD ASY
562	1	-	6D40103	> OIL FILTER ASY
563	1	-	5F20660002	> SERVICE VALVE PKG. (SUCTION): Includes: Item #564.
564	1	-	6D231421	> > GASKET,SUCTION VALVE
565	1	-	06DA660060	> SERVICE VALVE PKG. (DISCHARGE): Includes: Item #566.
566	1	-	6D231421	> > GASKET,DISCHARGE VALVE
567	1	-	19EA41531	> CONDENSER ASY: Includes: Items #568 - 569.
568	1	-	7F0132	> > TRY COCK ASY
569	1	-	EP12BH211	> > VALVE,LIQUID
570	1	-	HN68JX003	COMPR.OVERLOAD(30A)(FURNAS-MAN RESET)
571A	3	-	HN71JC050	OVERLOAD HEATER (208V)
571B	3	-	HN71JC049	OVERLOAD HEATER (230V)
571C	3	-	HN71JC036	OVERLOAD HEATER (460V)
571D	3	-	HN71JC031	OVERLOAD HEATER (575V)
573	1	-	07DA500002	CONTROL BOX COVER
574	1	-	19EA41588	CONTROL BOX ASSEMBLY: Includes: Items #575 - 581.
575	1	-	HY84EG017	> TERMINAL BLOCK
576	1	-	HN53CD115	> CONTACTOR
577	1	R	HK01UA181	> PRESSURE STAT
578	1	-	HR53ZA035	> SWITCH,TOGGLE
579	1	-	HKP-HH	> FUSE HOLDER
580	1	R	AGC3	> FUSE (3 AMP)
581	1	-	KA56XM040	> GROMMET
582	1	-	EB51LR385	SAFETY HEAD
583	1	-	KH31LZ008	OIL SEPERATOR
584	1	-	KY31LY003LA	GASKET,OIL SEPERATOR
585	4	-	A-14841	VALVE,DIAPHRAGM (1/2")
586	1	-	EP23LA211	VALVE,ANGLE
587	4	-	AU51YA003	GASKET,CAPSCREW (5/16")
588	1	-	DD24FA151	GASKET,FLARE (1/2")
589	4	-	50K21231	SPRING,COMPRESSOR MOUNTING
590	4	-	50K41221	SPRING CUP,COMPRESSOR MOUNTING
591A	1	-	19XR04026501	PUMPOUT ASSEMBLY (208/230-3-50/60): Includes: Items #592 - 613.
591B	1	-	19XR04026502	PUMPOUT ASSEMBLY (460-3-60): Includes: Items #592 - 613.

Itm#	Qty	Rec	Part Number	Description
591C	1	-	19XR04026503	PUMPOUT ASSEMBLY (400-3-50): Includes: Items #592 - 613.
592	2	-	DE08DA202	> COUPLING (1/2 MFL X 1/2 ODS)
593	4	-	EP10BA211	> VALVE,DIAPHRAGM (5/8 ODS)
594	2	-	DD02CA051	> NUT,FLARE (1/4)
595	1	-	DE06DA204	> ADAPTOR (5/8 ODF X 3/8 INT FPT)
596	1	-	EB51LZ188	> VALVE,RELIEF (3/8)
597	1	-	EC31EZ212	> VALVE,CHECK (5/8)
598A	1	-	19XR04028201	> CONTROL PANEL (208/230-3-50/60): Includes: Items #599 - 609.
598B	1	-	19XR04028202	> CONTROL PANEL (460-3-60): Includes: Items #599 - 609.
598C	1	-	19XR04028203	> CONTROL PANEL (400-3-50): Includes: Items #599 - 609.
599	1	R	19XR05029201	> > SWITCH,HIGH PRESSURE
600	1	R	19XR05018801	> > SWITCH,VACUUM
601	1	-	HN53CD115	> > CONTACTOR
602A	2	R	KLDR1/2	> > FUSE,PRIMARY (230V)(FU1 & FU2)
602B	2	R	KLDR1/4	> > FUSE,PRIMARY (460V)(FU1 & FU2)
602C	2	R	KLDR4/10	> > FUSE,PRIMARY (400V)(FU1 & FU2)
603	1	R	KLDR1/2	> > FUSE (FU3)
604	6	-	115188.11	> > BLOCK,TERMINAL (TB)
605	1	-	M3SS4-10B	> > SWITCH,SELECTOR (ON/OFF)(SS1): Note: holder item number 714b should also be ordered.
606	1	-	MCBH-00	> > HOLDER,SWITCH
607	2	-	CBK-CB10	> > BLOCK,CONTACT (SS1)
608	3	-	030722014	> > HOLDER,FUSE (FU1,FU2,FU3)
609A	1	-	1497-A-BASK-O-N	> > TRANSFORMER (230/460V)(XFMR)
609B	1	-	1497-A-M4-O-N	> > TRANSFORMER (380/400/415)(XFMR)
610	1	-	19XR05016701	> SEPARATOR,OIL
611	1	-	19XR05020901	> CONDENSER
612A	1	-	CS27K6E-TF5-970	> COMPRESSOR (200/230V)
612B	1	-	CS27K6E-TFD-970	> COMPRESSOR (380/420/460)
613	1	-	P041-4131	> > CRANKCASE HEATER (200/600V)
614	4	-	DD01CA201	NUT,FLARE (1/2)(PUMPOUT TO CLR&COND)
615	4	-	DD07DA201	COUPLING (1/2)(PUMPOUT TO CLR&COND)
616	1	-	(LIQUID-FLOI)	VARI. FREQ. DRIVE (VFD)(LIQUID-FLO I): Liquid-Flo I VFD's order number on data plate start with "19XVR".
617	1	-	111-16-73-XN	> RUN TEST SWITCH
618A	1	-	19XV05004901	> BREAKER (414 AMPS): Liquid-Flo I VFD's with a 19XVR0414XXX code number. See data plate.
618B	1	-	19XV05004902	> BREAKER (500 AMPS): Liquid-Flo I VFD's with a 19XVR0500XXX code number. See data plate.
619A	1	-	RX-41LR4060	> MODULE,DRIVE (414 AMPS): Liquid-Flo I VFD's with a 19XVR0414XXX code number. See data plate.
619B	1	-	RX-50LR4060	> MODULE,DRIVE (500 AMPS): Liquid-Flo I VFD's with a 19XVR0500XXX code number. See data plate.
619C	1	-	RX-64LR4060	> MODULE,DRIVE (643 AMPS): Liquid-Flo I VFD's with a 19XVR0643XXX code number. See data plate.
620	1	-	179116	> > REGULATOR CARD
621	1	-	2SI3000	> > REMOTE METER INTERFACE CARD
622A	1	-	179170	> > POWER MOD. CONTROL CARD (414 AMP)
622B	1	-	179134	> > POWER MOD. CONTROL CARD (500 AMP)
622C	1	-	179067	> > POWER MOD. CONTROL CARD (643 AMP)
623	1	-	179069	> > BUS CONTROL CARD
624	1	-	RC-SNUBBER-C	> > SNUBBER RESISTOR KIT
625A	3	-	19XV05005201	> TRANSFORMER,CURRENT (414 AMPS): Liquid-Flo I VFD's with a 19XVR0414XXX code number. See data plate.
625B	3	-	19XV05005202	> TRANSFORMER,CURRENT (500 AMPS): Liquid-Flo I VFD's with a 19XVR0500XXX code number. See data plate.
625C	3	-	19XV05005202	> TRANSFORMER,CURRENT (643 AMPS): Liquid-Flo I VFD's with a 19XVR0643XXX code number. See data plate.
626	2	-	19XV05005401	> FUSE ASSEMBLY

Itm#	Qty	Rec	Part Number	Description
627	3	-	19XV05005502	> RELAY
628	1	-	19XV05005601	> DISCONNECT SWITCH
629	1	-	19XV05002501	> GUARD,FAN
630	1	-	19XV05002502	> FAN
631A	1	-	NOTREQUIRED	> HANDLE,DISCONNECT (414 AMP): Liquid-Flo I VFD's with a 19XVR0414XXX code number. See data plate.
631B	1	-	19XV04004302	> HANDLE,DISCONNECT (500 AMP): Liquid-Flo I VFD's with a 19XVR0500XXX code number. See data plate.
631C	1	-	19XV04004303	> HANDLE,DISCONNECT (643 AMP): Liquid-Flo I VFD's with a 19XVR0643XXX code number. See data plate.
632	1	-	19XV05006601	> METER KIT: Includes: Amp-meter current transformer, AC amp-meter switch, AC volt- meter, AC voltmeter 0-600v, AC amp-meter 0-800 amps.
633A	2	-	19XV05007101	> TRANSFORMER,POTENTIAL (60 HERTZ): Liquid-Flo I VFD's all 60 hertz models.
633B	2	-	19XV05007102	> TRANSFORMER,POTENTIAL (50 HERTZ): Liquid-Flo I VFD's all 50 hertz models.
634	1	-	19XV05007201	> TRANSFORMER
635	1	R	19XV05007501	> CIRCUIT BREAKER
636	3	R	ATQR-1	> FUSE (1 AMP)
637	3	R	64676-75AD	> FUSE (15 AMP)
638	1	-	19XR04012202	> INTEGRATED STARTER MODULE (ISM)
639	2	-	KK71EW016	> O-RING
640A	1	-	180700-A03	VFD DRIVE (A03)(LIQ-FLO II)(REF. ONLY)
640B	1	-	180700-A04	VFD DRIVE (A04)(LIQ-FLO II)(REF. ONLY)
640C	1	-	180700-A05	VFD DRIVE (A05)(LIQ-FLO II)(REF. ONLY)
640D	1	-	180700-A43	VFD DRIVE (A43)(LIQ-FLO II)(REF. ONLY)
640E	1	-	181285-A07	VFD DRIVE (A07)(LIQ-FLO II)(REF. ONLY)
640F	1	-	181285-A09	VFD DRIVE (A09)(LIQ-FLO II)(REF. ONLY)
641	1	-	21T-180086	> CONTROL TRANSFORMER (3KVA)
642A	1	-	21T-317826-Q02	> MAIN BREAKER (65K)(CB1)(FR# A03)
642B	1	-	21T-317826-Q01	> MAIN BREAKER (65K)(CB1)(FR# A04)
642C	1	-	21T-317826-Q01	> MAIN BREAKER (65K)(CB1)(FR# A05)
642D	1	-	21T-317826-Q01	> MAIN BREAKER (65K)(CB1)(FR# A43)
642E	1	-	21T-807300-293D	> MAIN BREAKER (65K)(CB1)(FR# A07)
642F	1	-	21T-807300-293D	> MAIN BREAKER (65K)(CB1)(FR# A09)
642G	1	-	21T-180623-Q01	> MAIN BREAKER (100K)(CB1)(FR# A03)
642H	1	-	21T-180623-Q02	> MAIN BREAKER (100K)(CB1)(FR# A04)
642I	1	-	21T-180623-Q02	> MAIN BREAKER (100K)(CB1)(FR# A05)
642J	1	-	21T-180623-Q02	> MAIN BREAKER (100K)(CB1)(FR# A43)
642K	1	-	21T-181029-Q01	> MAIN BREAKER (100K)(CB1)(FR# A07)
642L	1	-	21T-181029-Q01	> MAIN BREAKER (100K)(CB1)(FR# A09)
643A	1	-	21T-169652	> CONTROL CIRCUIT BREAKER (65K)(CB2)
643B	1	-	21T-347762-Q01	> CONTROL CIRCUIT BREAKER (100K)(CB2)
644A	1	-	21T-179607-Q02	> INPUT INDUCTOR (FRAME A03)
644B	1	-	21T-179607-Q03	> INPUT INDUCTOR (FRAME A04)
644C	1	-	21T-179607-Q04	> INPUT INDUCTOR (FRAME A05)
644D	1	-	21T-179607-Q03	> INPUT INDUCTOR (FRAME A43)
644E	1	-	21T-180211-Q01	> INPUT INDUCTOR (FRAME A07)
644F	1	-	21T-180211-Q02	> INPUT INDUCTOR (FRAME A09)
645A	1	-	21T-320716	> PRE-CHARGED CONTACTOR (FRAME A03)
645B	1	-	21T-320716	> PRE-CHARGED CONTACTOR (FRAME A04)
645C	1	-	21T-320716	> PRE-CHARGED CONTACTOR (FRAME A05)
645D	1	-	21T-320716	> PRE-CHARGED CONTACTOR (FRAME A43)
645E	1	-	21T-320720	> PRE-CHARGED CONTACTOR (FRAME A07)
645F	1	-	21T-320720	> PRE-CHARGED CONTACTOR (FRAME A09)
646	1	-	21T-422302-1E	> PRE-CHARGED RESISTOR
647A	1	-	21T-342008-A03	> INPUT FILTER CAP. (FRAME A03)
647B	1	-	CONTACTRCD	> INPUT FILTER CAP. (FRAME A04)
647C	1	-	21T-342008-A01	> INPUT FILTER CAP. (FRAME A05)
647D	1	-	21T-342008-A02	> INPUT FILTER CAP. (FRAME A43)

Itm#	Qty	Rec	Part Number	Description
647E	1	-	21T-344342-A02	> INPUT FILTER CAP. (FRAME A07)
647F	1	-	21T-344342-A01	> INPUT FILTER CAP. (FRAME A09)
648A	1	-	21T-RX-LF200460AAR	> POWER MODULE (FRAME A03)
648B	1	-	21T-RX-LF200520BBR	> POWER MODULE (FRAME A04)
648C	1	-	21T-RX-LF200608CCR	> POWER MODULE (FRAME A05)
648D	1	-	21T-RX-LF200460BAR	> POWER MODULE (FRAME A43)
648E	1	-	21T-RX-LF200900CCR	> POWER MODULE (FRAME A07)
648F	1	-	21T-RX-LF201215CCR	> POWER MODULE (FRAME A09)
649	1	-	21T-180090-A01	> AC LINE I/O BOARD
650	1	-	21T-180063-A01	> RECTIFIER CONTROL ASSEMBLY
651	1	-	21T-180064-A01	> INVERTER CONTROL ASSEMBLY
652A	1	-	21T-351839-A04	> RECTIFIER INTERFACE ASY (FRAME A03)
652B	1	-	21T-351839-A02	> RECTIFIER INTERFACE ASY (FRAME A04)
652C	1	-	21T-351839-A05	> RECTIFIER INTERFACE ASY (FRAME A05)
652D	1	-	21T-351839-A02	> RECTIFIER INTERFACE ASY (FRAME A43)
652E	1	-	N/A	> RECTIFIER INTERFACE ASY (FRAME A07)
652F	1	-	N/A	> RECTIFIER INTERFACE ASY (FRAME A09)
653A	1	-	21T-351893-A04	> INVERTER INTERFACE ASY (FRAME A03)
653B	1	-	21T-351893-A02	> INVERTER INTERFACE ASY (FRAME A04)
653C	1	-	21T-351893-A05	> INVERTER INTERFACE ASY (FRAME A05)
653D	1	-	21T-351893-A04	> INVERTER INTERFACE ASY (FRAME A43)
653E	1	-	N/A	> INVERTER INTERFACE ASY (FRAME A07)
653F	1	-	N/A	> INVERTER INTERFACE ASY (FRAME A09)
654	1	-	21T-351893-A10	> RECTIFIER POWER INTERFACE HARNESS
655	1	-	21T-351893-A10	> INVERTER POWER INTERFACE HARNESS
656	1	-	21T-180062-A01	> COMMUNICATON INTERFACE ASSEMBLY
657	1	-	21T-191673-Q02	> INTERNAL FAN
658	1	-	21T-179196	> INTERNAL FAN
659	1	-	21T-180089-A01	> 80W POWER SUPPLY ASSEMBLY
660	1	-	21T-180060-A01	> STANDARD I/O ASSEMBLY
661	1	-	21T-392134-A01	> RECOMM-CARRIER (GATEWAY)
662	1	-	21T-180043	> LINE SYNC PC BOARD ASSEMBLY
663	1	-	21T-180325-A01	> COMBINED CONTROL ASY (FR# A07/A09)
664	1	-	21T-180370-A02	> COMBINED I/O BOARD (FR# A07/A09)
665A	1	-	21T-316972-A02	> COMBINED PWR INTERFACE ASY(FR# A07)
665B	1	-	21T-316972-A01	> COMBINED PWR INTERFACE ASY(FR# A09)
666	1	-	21T-180037-A01	> EXTERNAL NTC ASSEMBLY
667	1	-	21T-69739-48A	> INTERNAL FAN
668	1	-	23XR04000306	METER PACKAGE OPTION (REFERENCE ONLY)
669	1	-	180621-Q01	> AMMETER
670	1	-	180620-Q01	> VOLTMETER
671	1	-	800MR-JH2BLA	> METER SWITCH (PHASE SELECTOR)
672	1	-	PH23GH022	PAINT (SPRAY CAN)(GRAY)
673	1	-	PH23GH022G	PAINT (GALLON CAN)(GRAY)
674	1	-	GTC-21111/16	BRUSH,TUBE CLEANING (3/4" I.D.)
675	1	-	PP23BZ103001	COMPRESSOR OIL (1 GALLON)
676	1	-	PP23BZ103005	COMPRESSOR OIL (5 GALLON)
677	1	-	PP23BZ103055	COMPRESSOR OIL (55 GALLON)
678	1	-	QR0948486434	INSULATION, SHEET (3/4 X 48 X 64)
679	2	-	19XB05010301	UNIT LOGO "CARRIER": Note: For Any "Take Apart Kits" Or "Maintenance Kits" Refer To "Kitting Program" Or Contact Your Carrier (RCD) Rep.
680	1	R	HK06ZC033	FLOW SWITCH,DIFFERENTIAL PRESSURE
681	1	-	19XR05004201	LOGO "EVERGREEN"
682	1	-	16JT8106657	GREASE,CONDUCTIVE (20 GRAM TUBE)
683	1	-	19XL680001	O-RING LUBRICANT
684	1	-	19XL680002	GASKET SEALANT