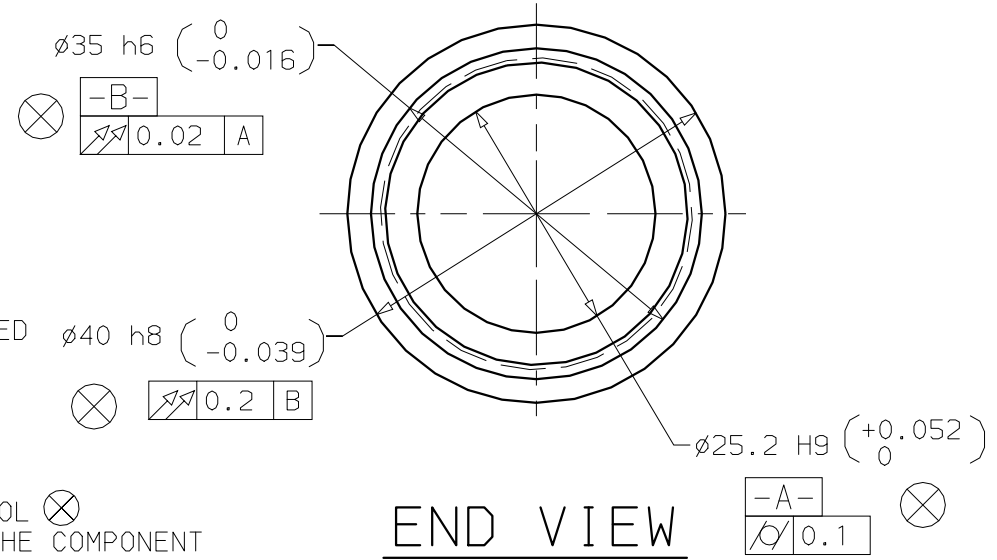


NOTES:

1. REMOVE ALL BURRS.
2. BREAK ALL SHARP EDGES FORMED BY TOOL MACHINED SURFACES 0.25 X 45° CHAMFER OR 0.25 RADIUS.
3. ALL MACHINED SURFACES TO BE 3.2µm UNLESS OTHERWISE SPECIFIED.
4. GEOMETRIC TOLERANCING PER ANSI Y14.5M 1982.
5. CLEANLINESS PER ENGRG REQMT AG1-1.
6. COMPONENT FEATURES IDENTIFIED WITH THE SYMBOL ⊗ ARE CRITICAL TO INSURE PROPER FUNCTION OF THE COMPONENT AND/OR PRODUCT DESIGN. BOTH THE FEATURES AND MANUFACTURING PROCESSES AFFECTING THESE FEATURES SHALL BE CLOSELY MONITORED AND CONTROLLED BY THE SUPPLIER.



END VIEW

TYP BOTH ENDS
SCALE 4:1

| SYM | REVISION RECORD | DATE | BY | CHK'D BY | APP'D BY | AUTH NO. |
|-----|---------------------------------|----------|-----|----------|----------|-----------|
| D | ADD 0.55 FINISH , MIN. ZONE 188 | 12/04/97 | ME | ME | DJ | CAR30060 |
| C | REINSTATE, NO CHANGE REQ'D. | 08/22/97 | ME | ME | DJ | CAR30053 |
| B | VOID & SUPERSEDED BY 1TC0031C | 10/22/96 | DHL | DL | DJ | CAR 30024 |
| A | NOT FINAL RELEASED | 03/19/96 | DHL | DL | DJ | CAR 30003 |

| | | | |
|---|---|---|--------------------------------|
| THIRD ANGLE PROJECTION | | UNLESS OTHERWISE SPECIFIED DIMENSIONS ARE IN MILLIMETERS TOLERANCES ON: | |
| MATERIAL | C1040 - C1050 STEEL OR C1026 COLD DRAWN SEAMLESS TUBING | 0 DEC | 1 DEC 2 DEC ANG |
| APPLIED FINISH | NONE | ± 0.25 | ± 0.1 ± 0.1 ± |
| PART(S) MUST COMPLY WITH ENGINEERING REQUIREMENT(S) | AG1-1 | FRACTIONS | SURFACES HOLE SPACING HOLE LOC |
| WEIGHT | MFG/PURCH MFG | ✓ | NON-CUMULATIVE |

| | | | |
|---|-------------|-----------------------------------|---|
| DRAWING STATUS LEVEL | | PRODUCTION | |
| LATEST REV DATE | | 12/04/97 | |
| CHANGE AUTHORIZATION NUMBER | | CAR30060 | |
| UNITED TECHNOLOGIES CARRIER | | P O BOX 4808 SYRACUSE N. Y. 13221 | |
| THIS DOCUMENT IS THE PROPERTY OF CARRIER CORPORATION AND IS DELIVERED UPON THE EXPRESS CONDITION THAT THE CONTENTS WILL NOT BE DISCLOSED OR USED WITHOUT CARRIER CORPORATION'S WRITTEN CONSENT. | | | |
| TITLE | | SLIDE ROD, CAPACITY 160/200 TON | |
| SIZE | DRAWING NO. | REV | |
| C | 1TC0448C | 1 | D |
| NEXT DRAWING | | SCALE 1:2 | |

REV D 1TC0448C DNG NO. COMMODITY CODE