



**HERMETIC CENTRIFUGAL
LIQUID CHILLER (R134A)**

19EX
SIZE: 003 - 005
SERIES: 0

SERVICE PARTS GUIDE INDEX

GRAPHICS CATALOG NUMBER: RCD-3519-047 REV.

PAGE:

MACHINE ASSEMBLY GRAPHICS..... 1 - 21

PARTS LIST CATALOG NUMBER: RCD-3519-047 REV.

PAGE:

19EX W/FA4 COMPR., 19EX W/FA5 COMPR., 19EX W/02EX COMPR..... 1 - 11

*** THIS NEW SERVICE PARTS CATALOG SUPERSEDES THE
PREVIOUS 19EX CATALOGS NUMBERED RCD-3519-035 AND
RCD-3519-038***

ATTENTION: PLEASE FILE THIS INFORMATION AS A FINAL RELEASE

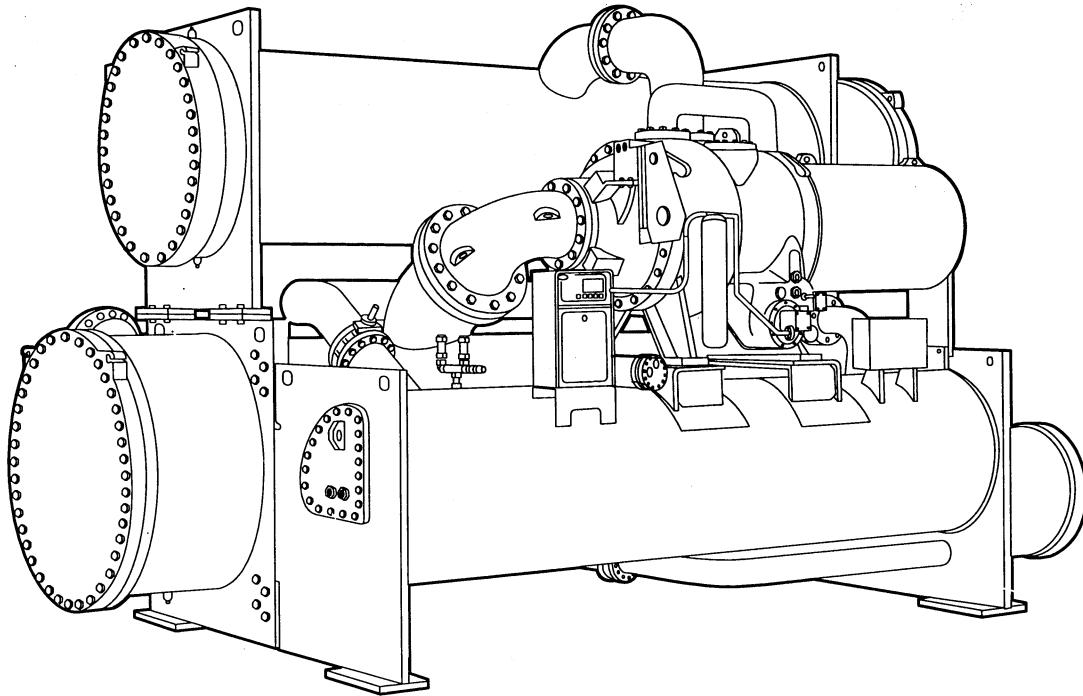
.....Attached you will find information that is released as a two part Service Parts Guide. A Service Parts Guide consists of "Graphics Catalog" and "Parts List Catalog". The common link between these two types of catalogs is the CATALOG NUMBER ONLY!! The revision block that follows the Catalog No. is used as a way to update one or both parts of the Service Parts Guide. This Index Page is a reference to let the Service Parts Center know what has been released on the model listed above.

Information about This Release 11/26/96

Graphics Catalog	
Catalog No: RCD-3519-047	Rev.
Supersedes: 19.029 & RCD-3519-035	Rev.

INDEX PAGE
Litho in U.S.A

19EX MACHINE WITH 19FA OR 02EX COMPRESSOR SERVICE PARTS GUIDE



HOW TO USE THIS CATALOG

1. THIS CATALOG PRESENTS THE MOST COMMONLY USED SPECIFIED PARTS FOR THE STANDARD 19EX CENTRIFUGAL REFRIGERATION MACHINE AND IS NOT APPLICABLE TO ANY SPECIAL ORDER MACHINES. (CONTACT CARRIER WITH MACHINE SERIAL NUMBER FOR ANY SPECIAL ORDER UNIT PARTS.)
2. OCCASIONALLY DUE TO LIMITATIONS OF ILLUSTRATIONS USED, A PART MAY NOT BE ILLUSTRATED, THESE PARTS ARE IDENTIFIED BY "N" IN THE COLUMN NEXT TO THE ITEM NUMBER.
3. THE FOLLOWING PARTS ARE NOT LISTED IN THIS CATALOG.
 - A. IMPELLERS, SHROUDS, DIFFUSERS
 - B. COMPRESSOR MOTOR (ROTOR & STATOR)
 - C. EVAPORATOR TUBE PART NUMBERS
 - D. CONDENSER TUBE PART NUMBERS

IF ANY OF THESE PARTS ARE REQUIRED, CONTACT YOUR CARRIER REPRESENTATIVE WITH THE MODEL AND SERIAL NUMBER OF YOUR MACHINE.
4. POSITIVE IDENTIFICATION OF YOUR MACHINE TO PROPERLY SELECT PARTS MAY BE DONE BY REFERRING TO THE MACHINE NAME PLATE. REFER TO CHART ON PAGE #2

Graphics Catalog
 Catalog No: RCD-3519-047 Rev.
 Supersedes: RCD-3519-035 & 038 Rev.

Graphics Page: 1
 Litho in U.S.A

Note: See "Catalog Notes" on last page for explanation of symbolism.





HERMETIC CENTRIFUGAL LIQUID CHILLER (R134A)

19EX

MODEL NUMBER SIGNIFICANCE CHART

1 9 E X 4 1 4 3 5 3 1 A D F 6 5 2 -

MODEL

COOLER CODE
FR #31,#32,#33,#41,#42
#43,#44,#45,#46,#47,#48,
1ST. DIGIT= FRAME SIZE

GEAR CODE
19FA COMPR.
A, B, C, D, OR T
02EX COMPR.
5 = 50HZ
6 = 60HZ

CONDENSER CODE
FR #31,#32,#33 #41,#42,#43,#45
#46,#47 #51,#52,#53,#55,#56,#57
1ST. DIGIT = FRAME SIZE

COMPRESSOR CODE
19FA COMPR.
1ST. DIGIT = FRAME SIZE
2ND. DIGIT = SHROUD SIZE
3RD. DIGIT = IMP. NUMBER
02EX COMPR.
1ST. DIGIT = (-)
2ND. DIGIT = SHROUD SIZE
5 = A3, 6 = A4, 7 = A5, 8 = A6
3RD. DIGIT = IMP. NUMBER

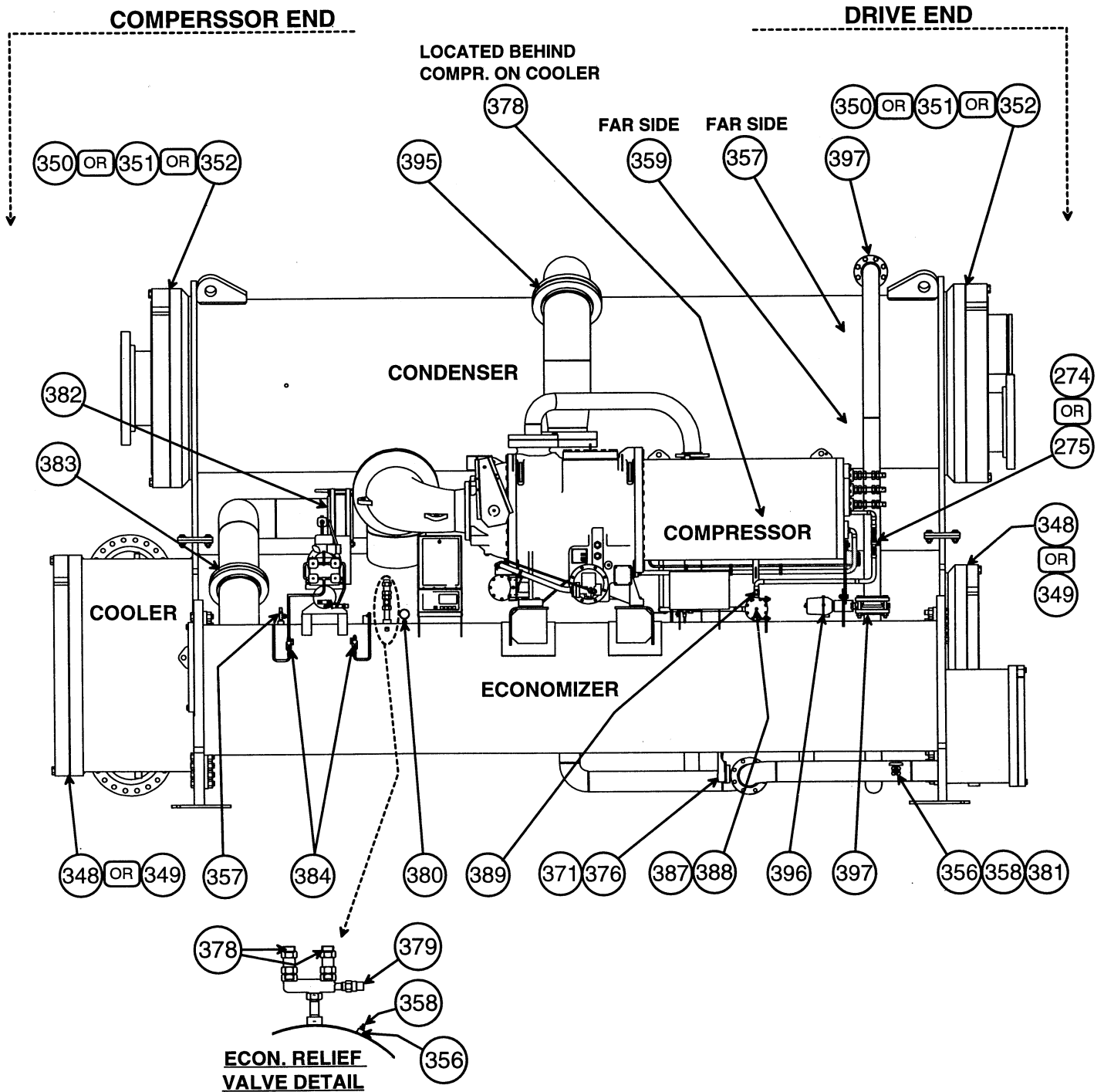
HERMETIC MOTOR CODE
MOTOR SIZE
DB = D2, D25, HD2, HD25
DC = D3, D35, HD3, HD35
DD = D4, D45, HD4, HD45
DE = D5, D55, HD5, HD55
DF = D6, D65, HD6, HD65
DG = D7, D75, HD7, HD75
DH = D8, D85, HD8, HD85
DJ = D9, D95, HD9, HD95
DK = D10, D105, HD10, HD105
DL = D11, D115, HD11, HD115
DM = D12, D125, HD12, HD125
DN = D13, D135, HD13, HD135
DP = D14, D145, HD14, HD145
DQ = D14.6, D14.65, HD14.6
HD14.65
EA = E1, E15, HE1, HE15
EB = E2, E25, HE2, HE25
EC = E3, E35, HE3, HE35
ED = E4, E45, HE4, HE45
EE = E5, E55, HE5, HE55

MOTOR VOLTAGE CODE

50 = 230-3-50	55 = 6300-3-50	63 = 575-3-60
51 = 346-3-50	06 = 200-3-60	64 = 2400-3-60
52 = 400-3-50	60 = 230-3-60	65 = 3300-3-60
53 = 3000-3-50	61 = 380-3-60	66 = 4160-3-60
54 = 3300-3-50	62 = 460-3-60	67 = 6900-3-60

WATERBOX CODE
1 - MARINE COOLER / MARINE COND.
2 - MARINE COOLER / NIH COND.
3 - NIH COOLER / MARINE COND.
4 - NIH COOLER / NIH COND.

SPECIAL ORDER CODE
- = STANDARD UNIT
S = SPECIAL ORDER

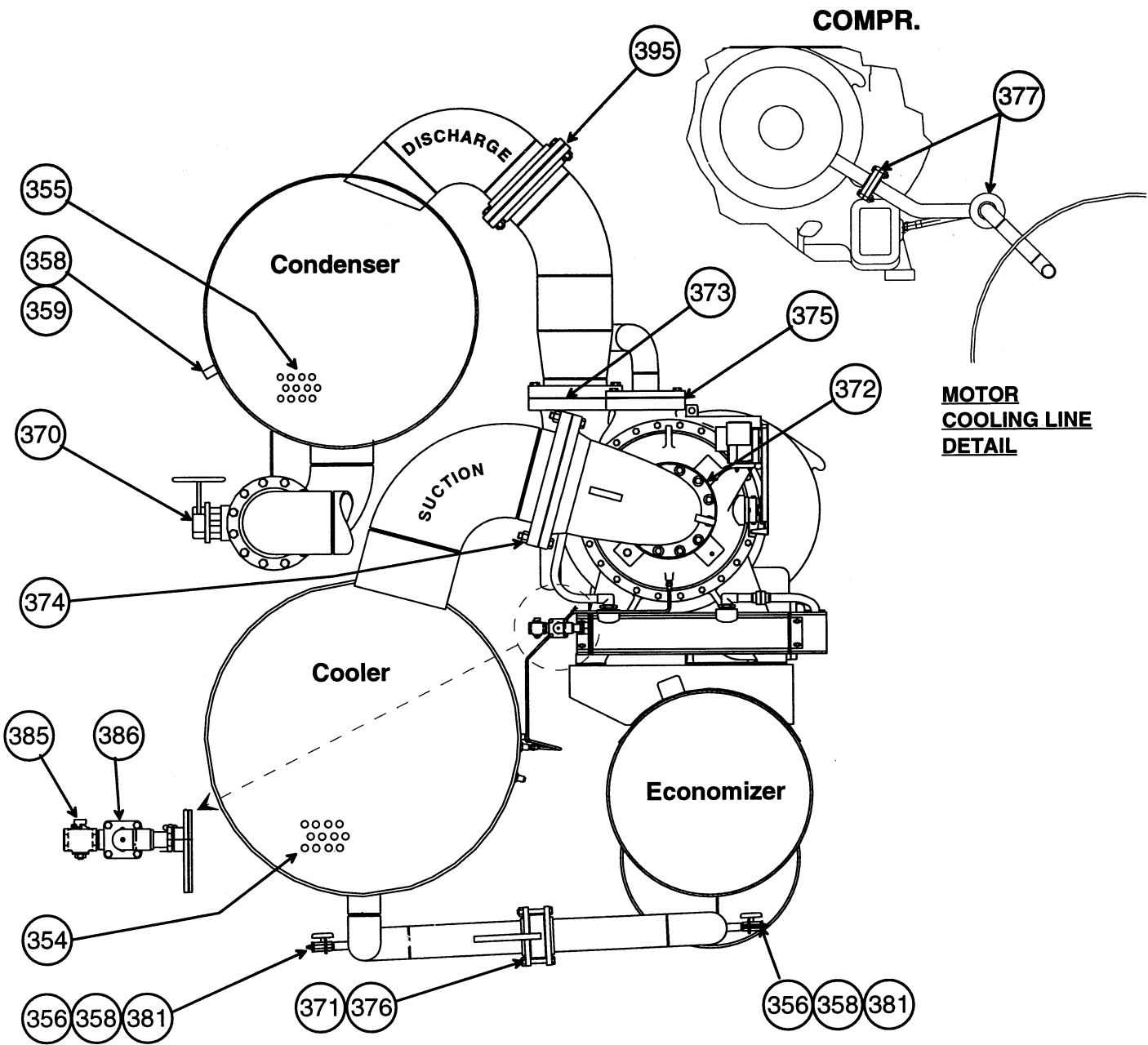


MACHINE ASSEMBLY, SIDE VIEW

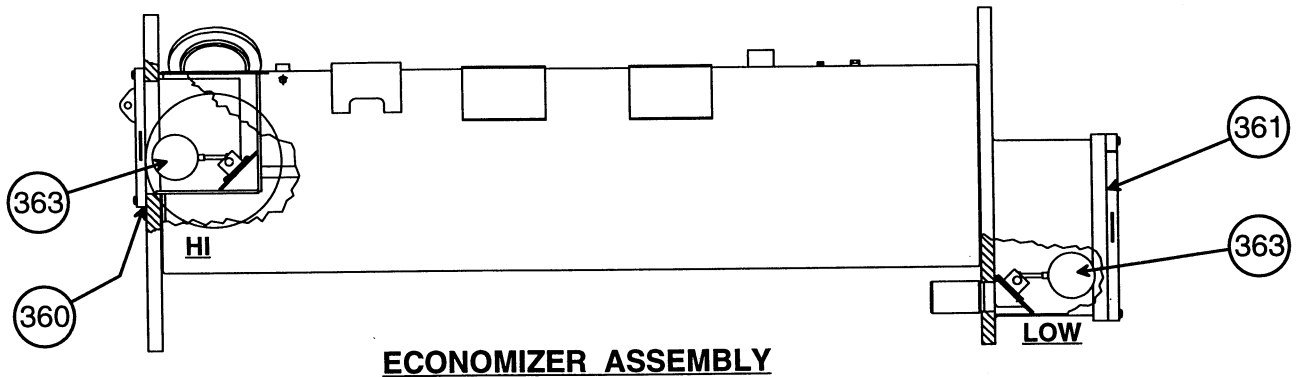
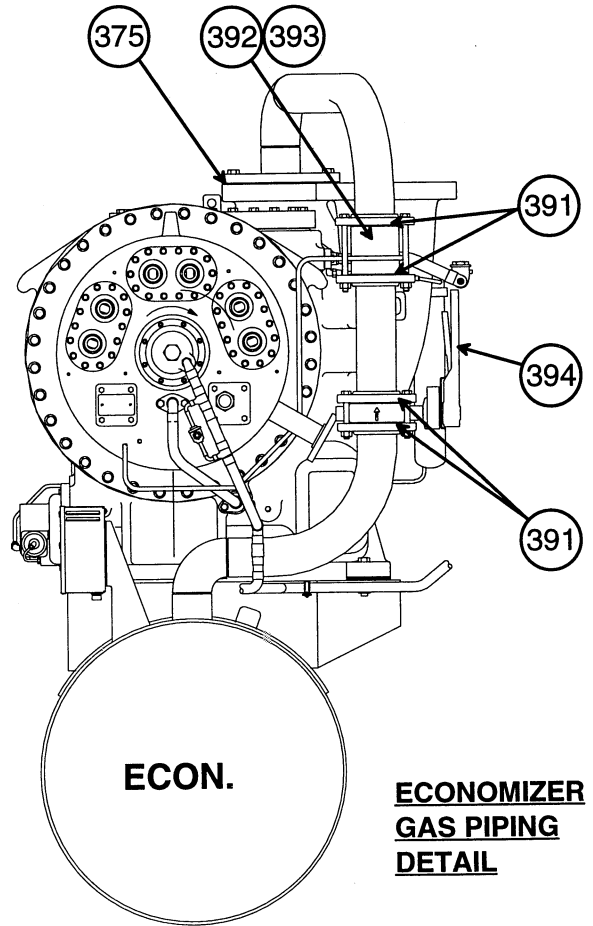
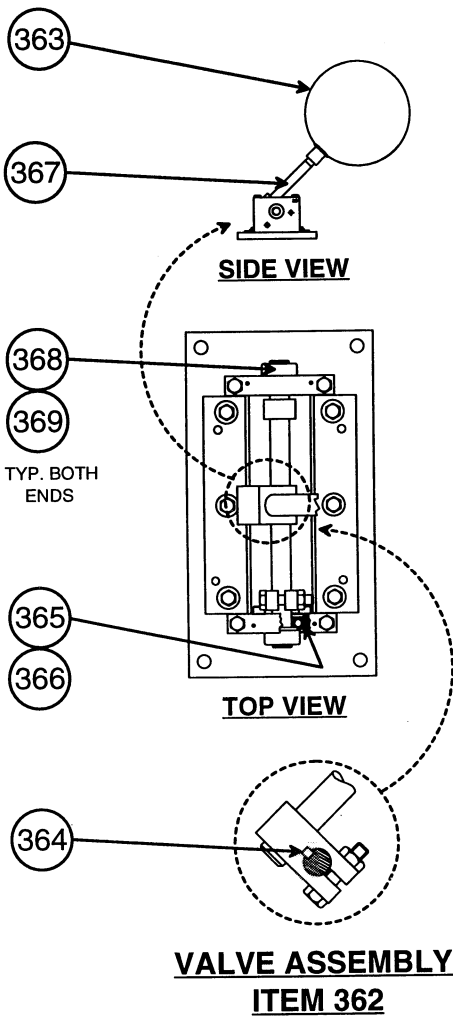
Graphics Catalog
 Catalog No: RCD-3519-047 Rev.
 Supersedes: RCD-3519-035 & 038 Rev.
 Note: See "Catalog Notes" on last page for explanation of symbolism.

Graphics Page: 3
 Litho in U.S.A



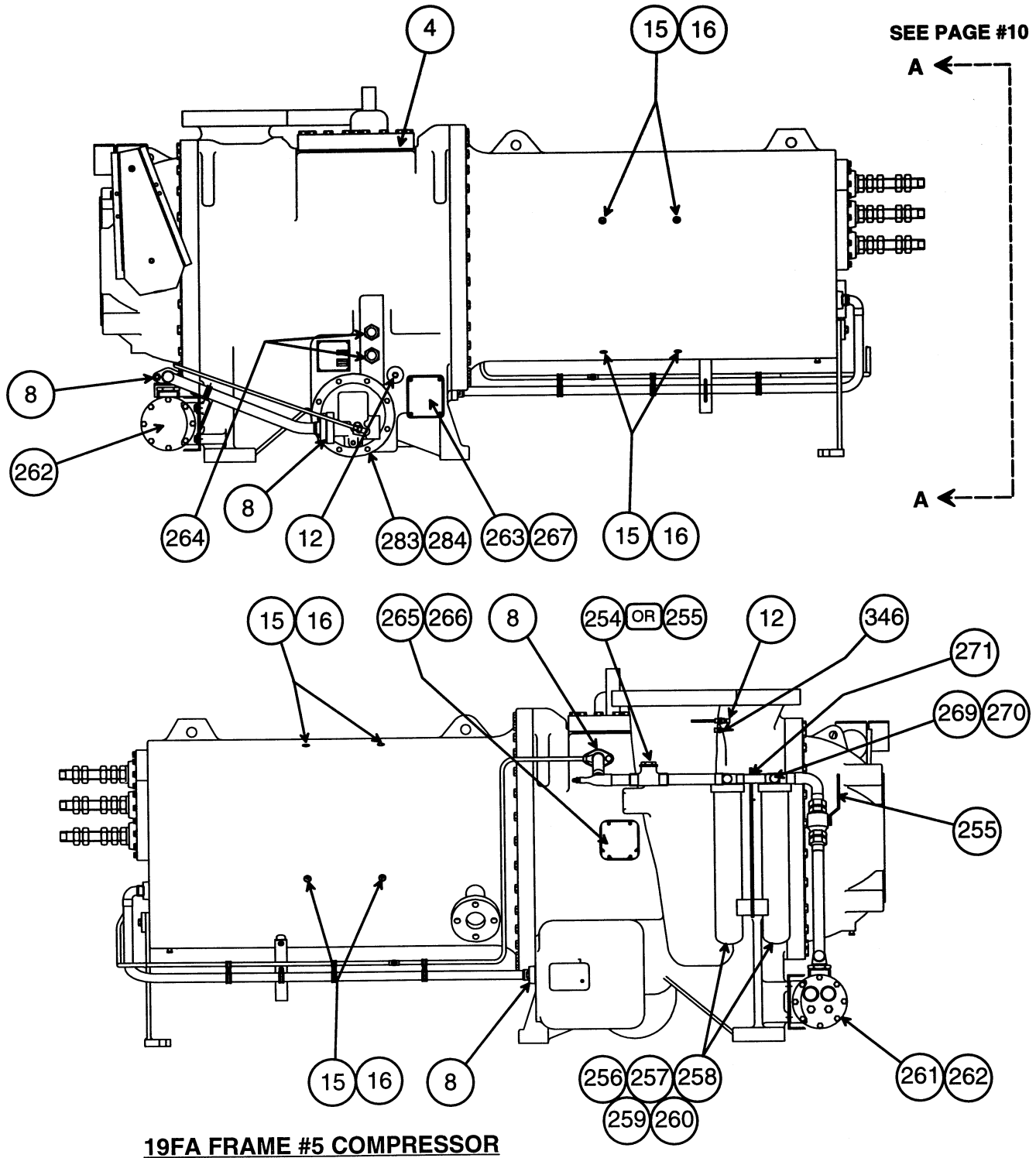


MACHINE ASSEMBLY, END VIEW

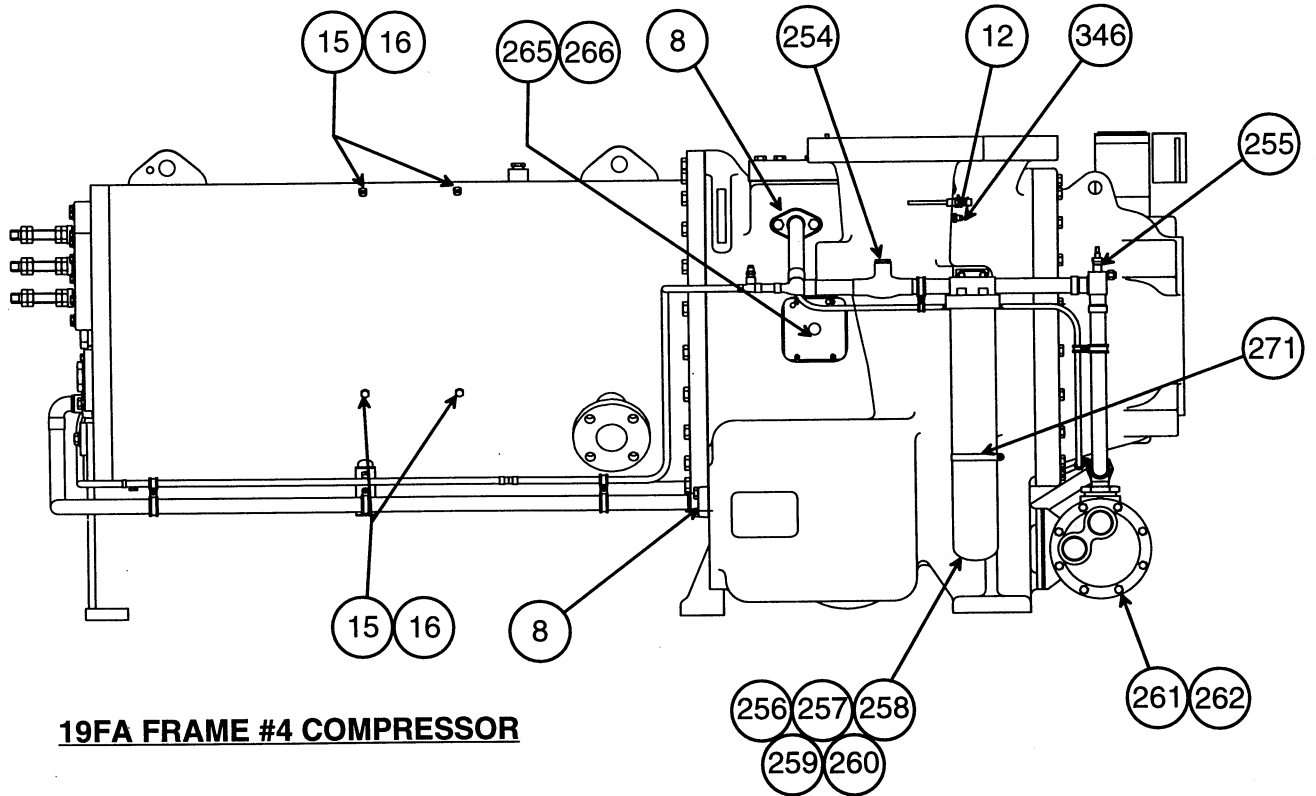
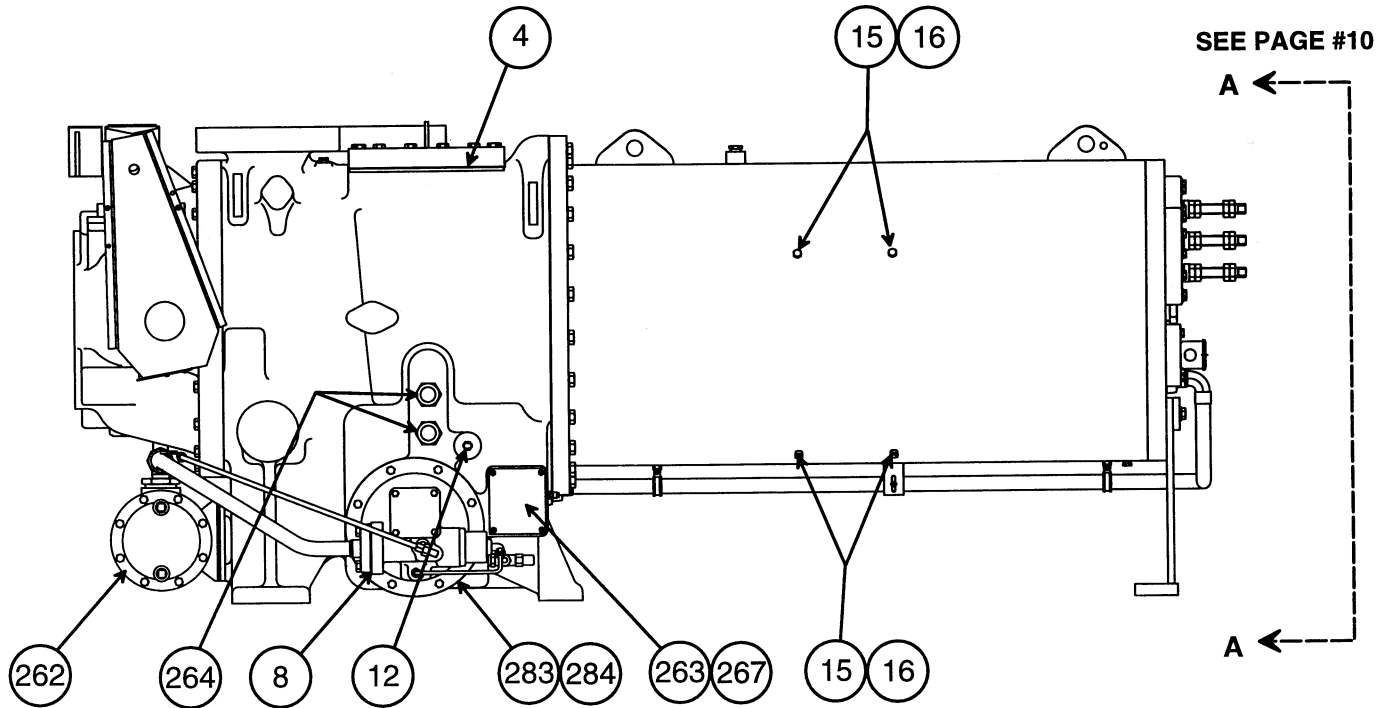


**HERMETIC CENTRIFUGAL
LIQUID CHILLER (R134A)**

19EX



19FA FRAME #5 COMPRESSOR



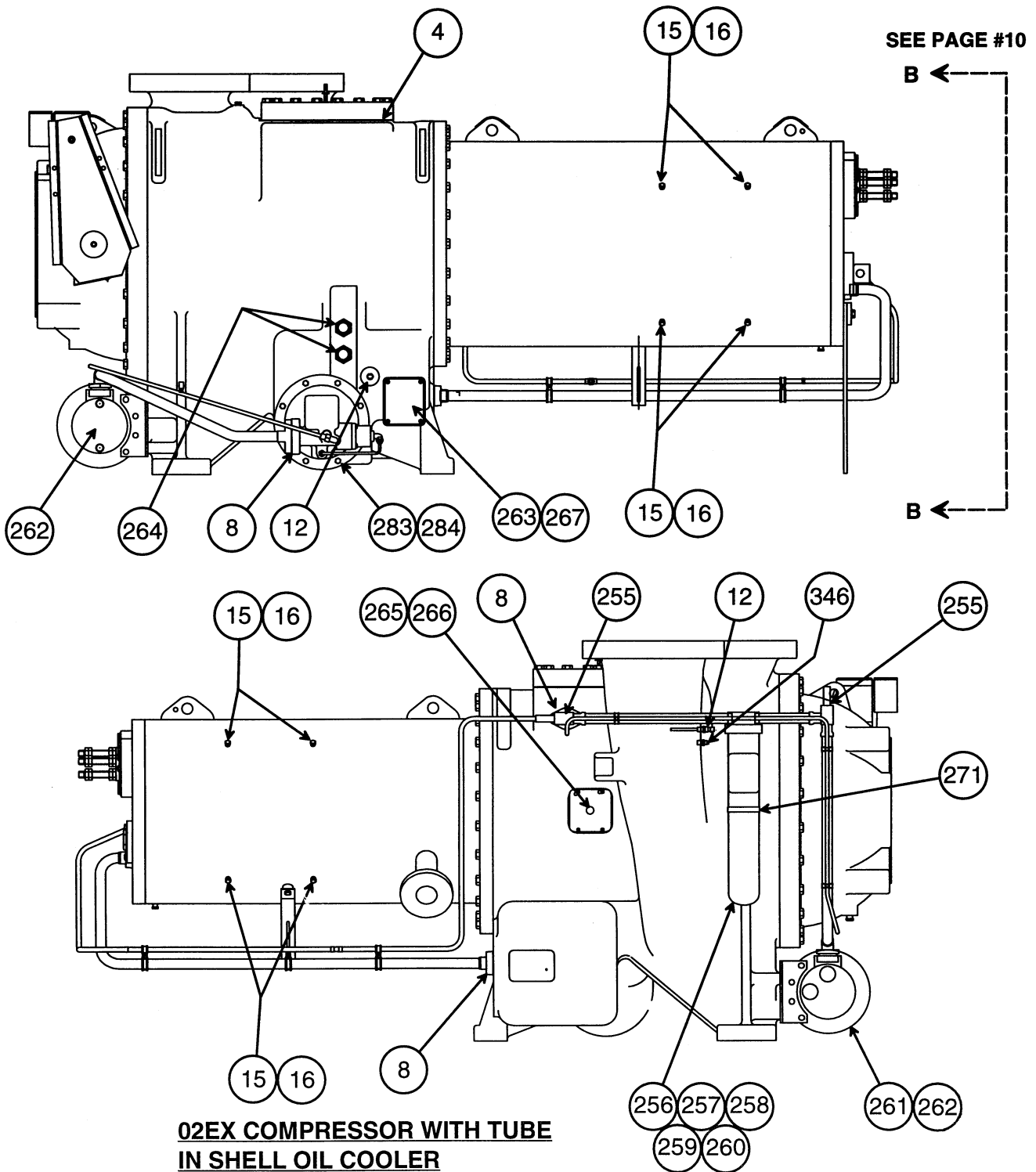
Graphics Catalog
 Catalog No: RCD-3519-047 Rev.
 Supersedes: RCD-3519-035 & 038 Rev.
 Note: See "Catalog Notes" on last page for explanation of symbolism.

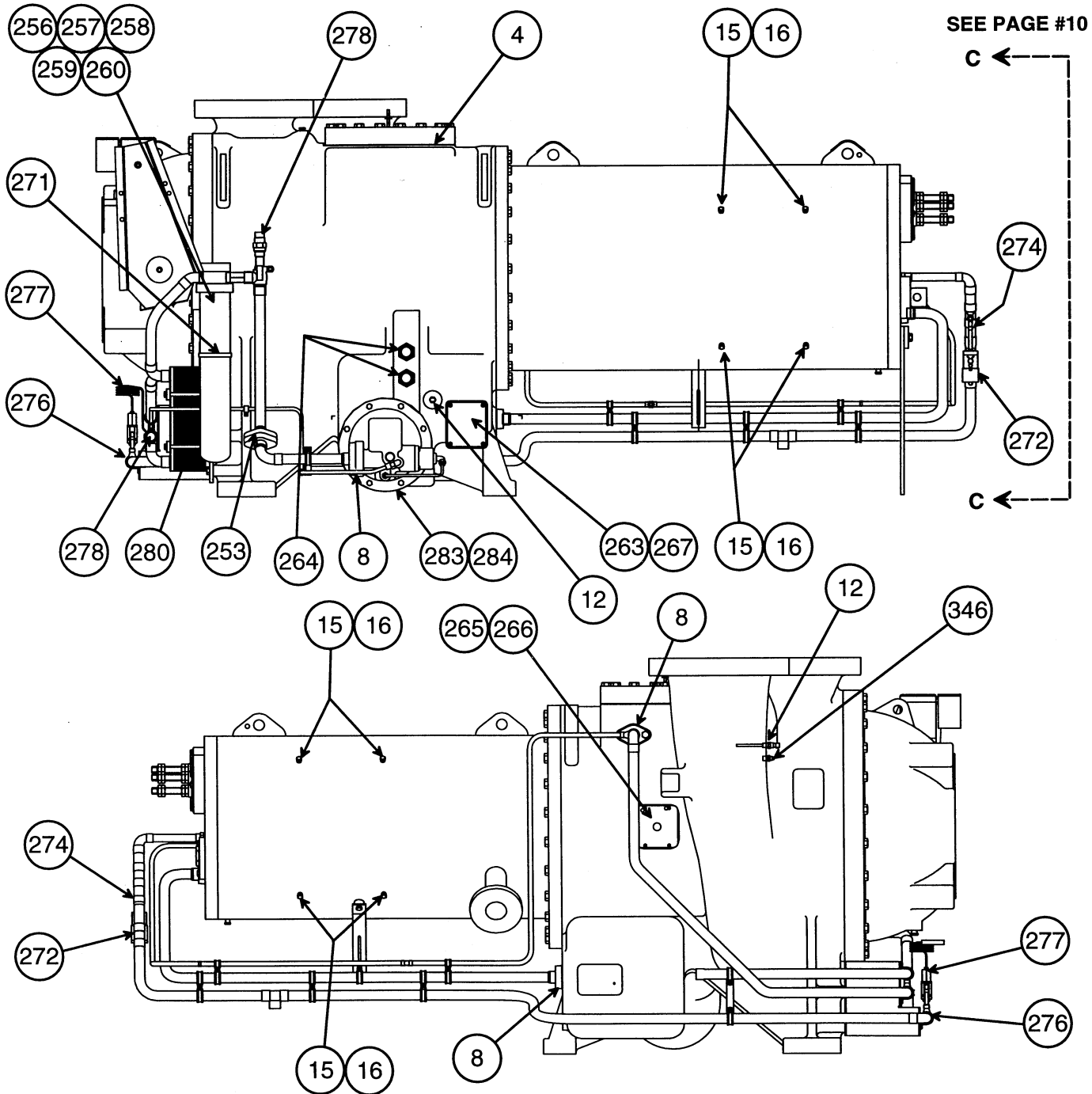
Graphics Page: 7
 Litho in U.S.A



**HERMETIC CENTRIFUGAL
LIQUID CHILLER (R134A)**

19EX

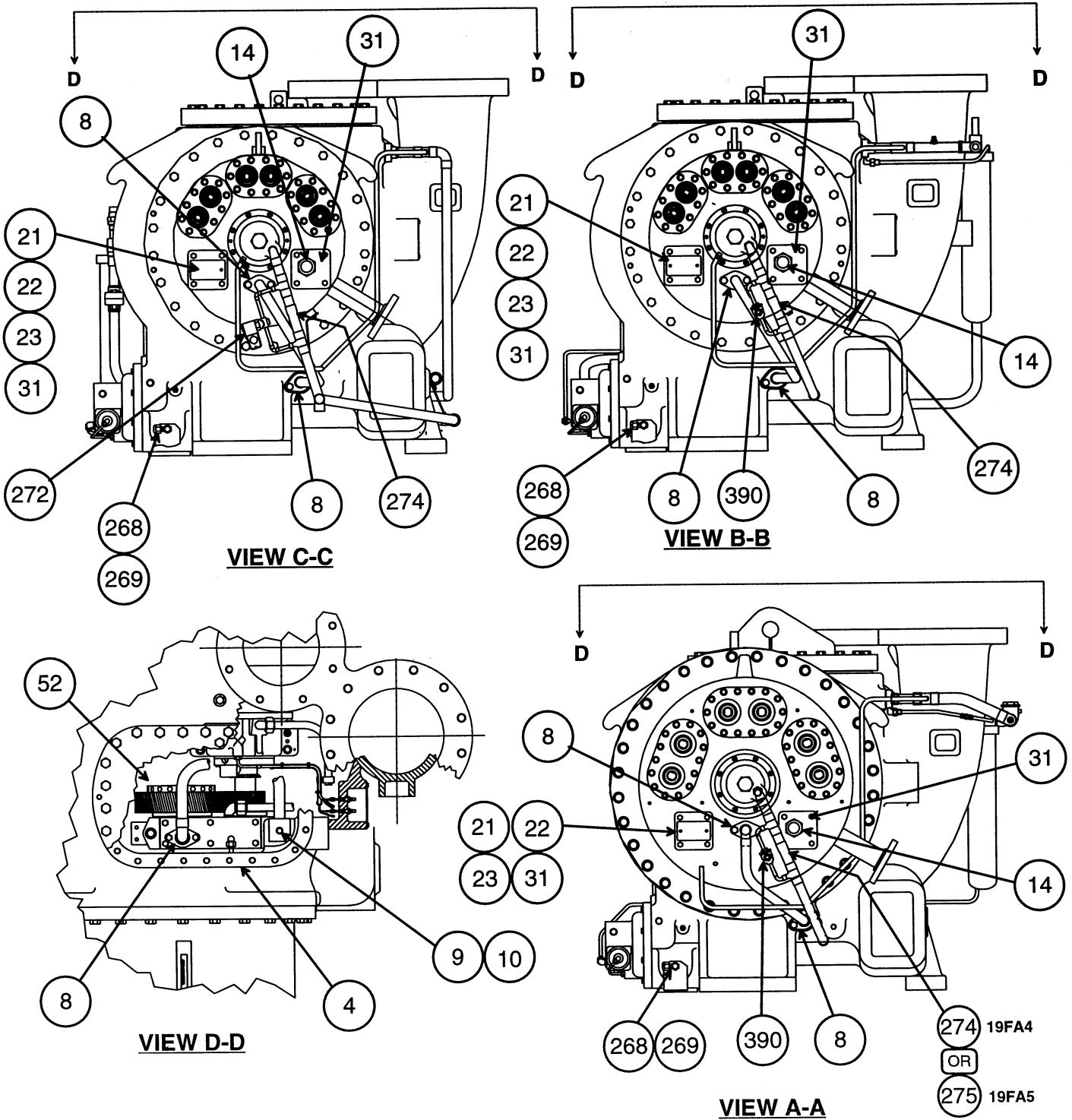




**02EX COMPRESSOR WITH BRAZED
PLATE OIL COOLER**

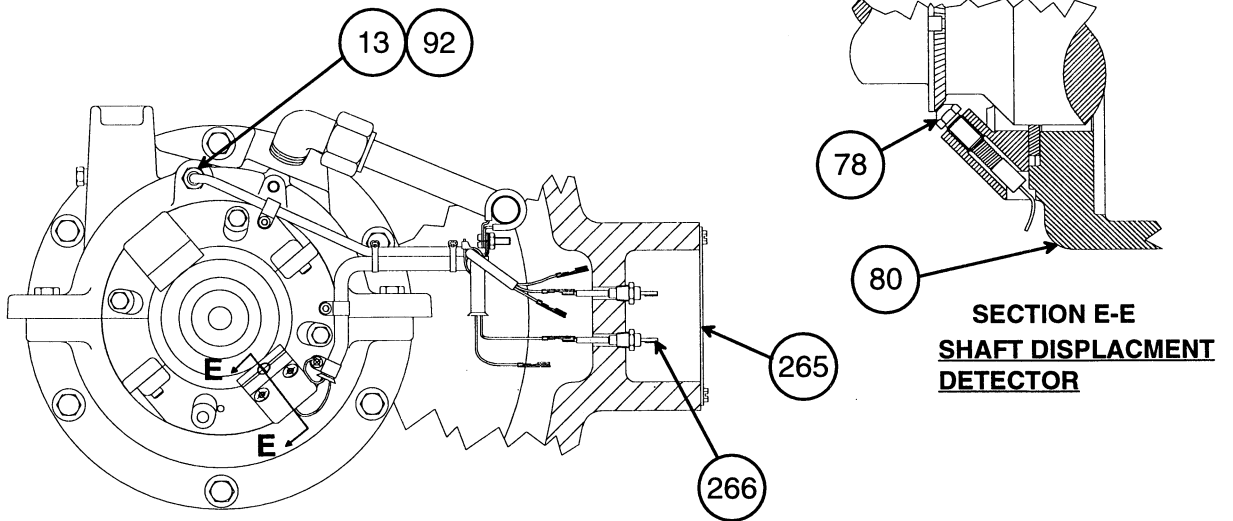
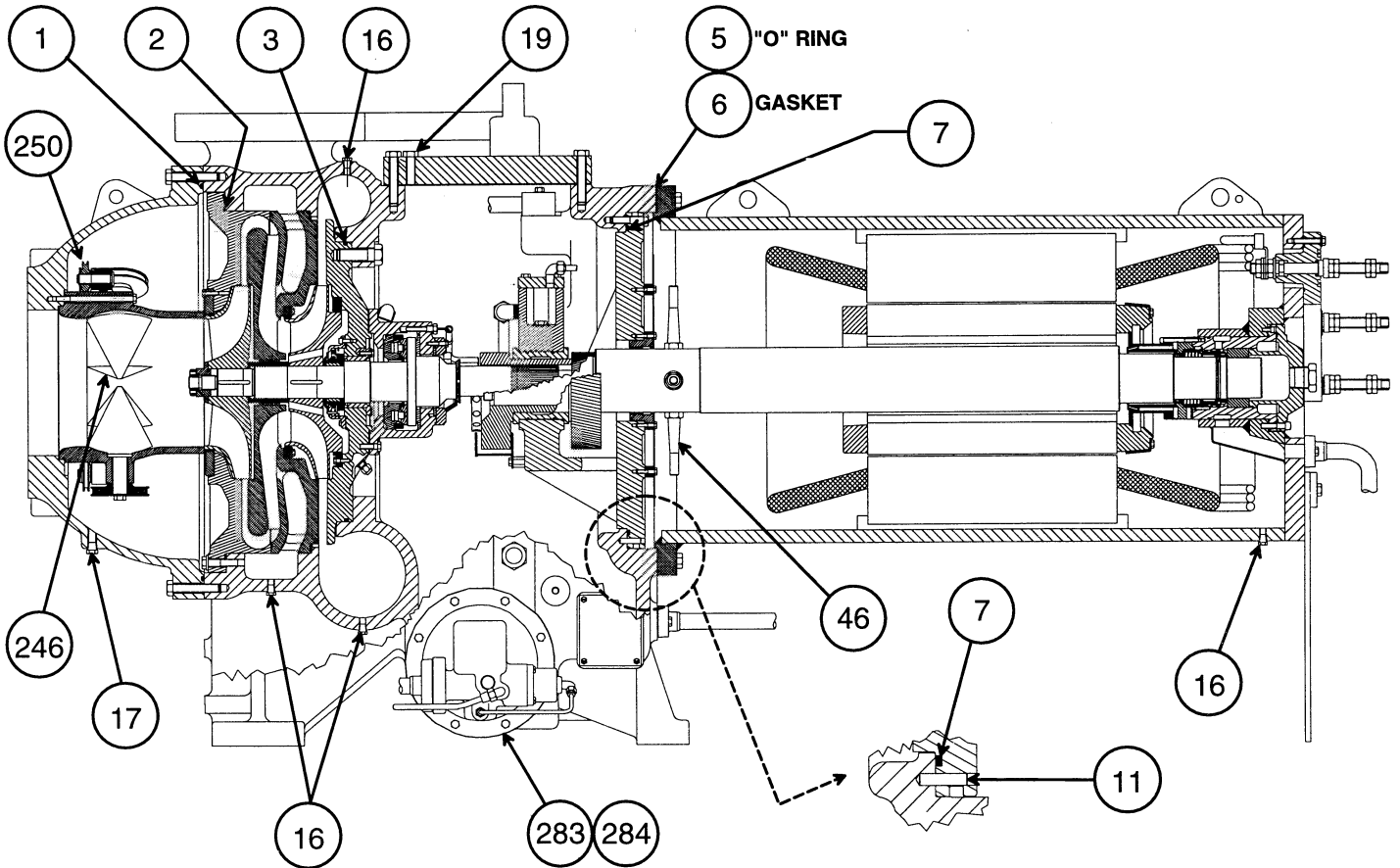
**HERMETIC CENTRIFUGAL
LIQUID CHILLER (R134A)**

19EX



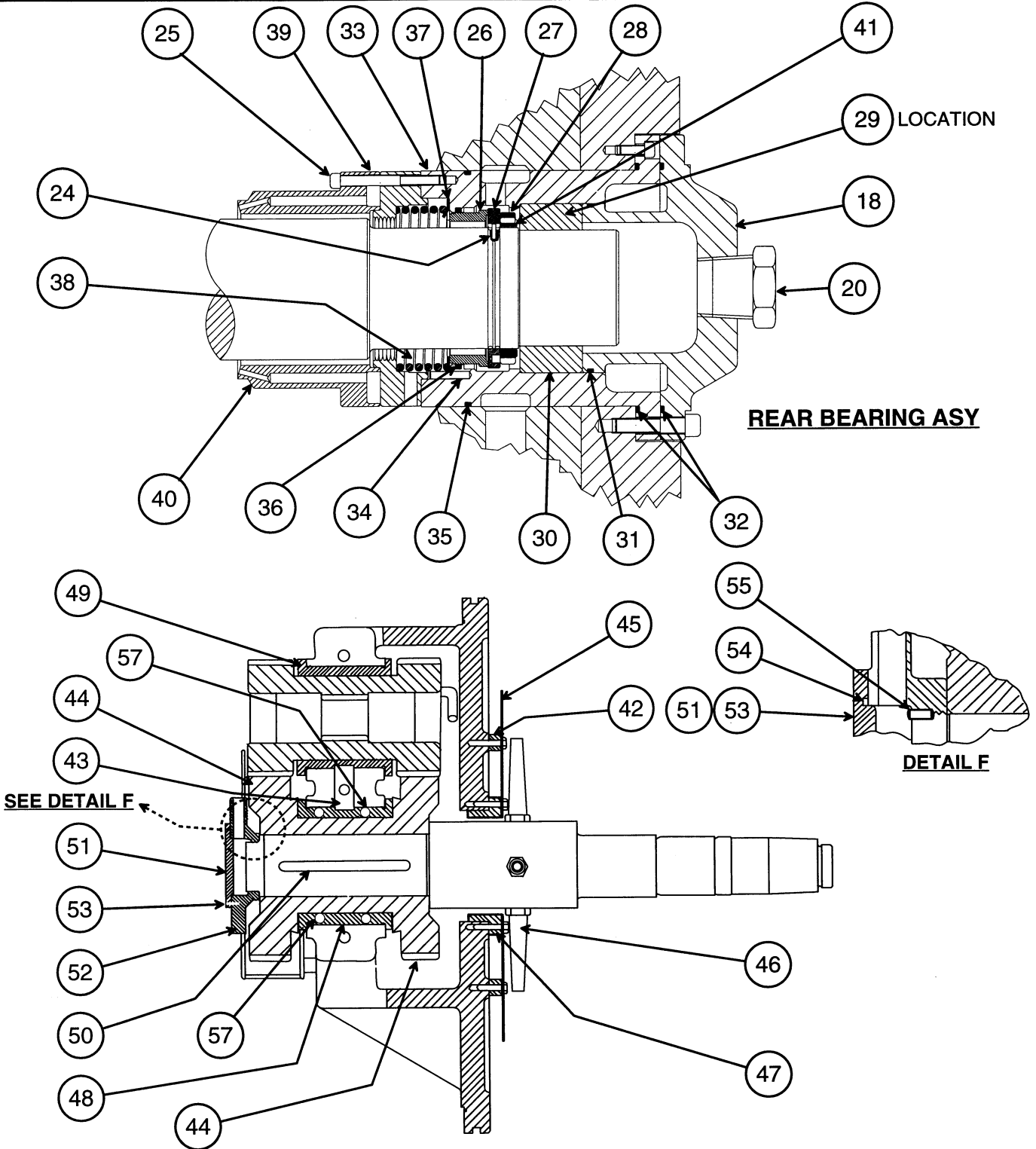
Graphics Catalog
 Catalog No: RCD-3519-047 Rev.
 Supersedes: RCD-3519-035 & 038 Rev.
 Note: See "Catalog Notes" on last page for explanation of symbolism.

Graphics Page: 10
 Litho in U.S.A



**HERMETIC CENTRIFUGAL
LIQUID CHILLER (R134A)**

19EX



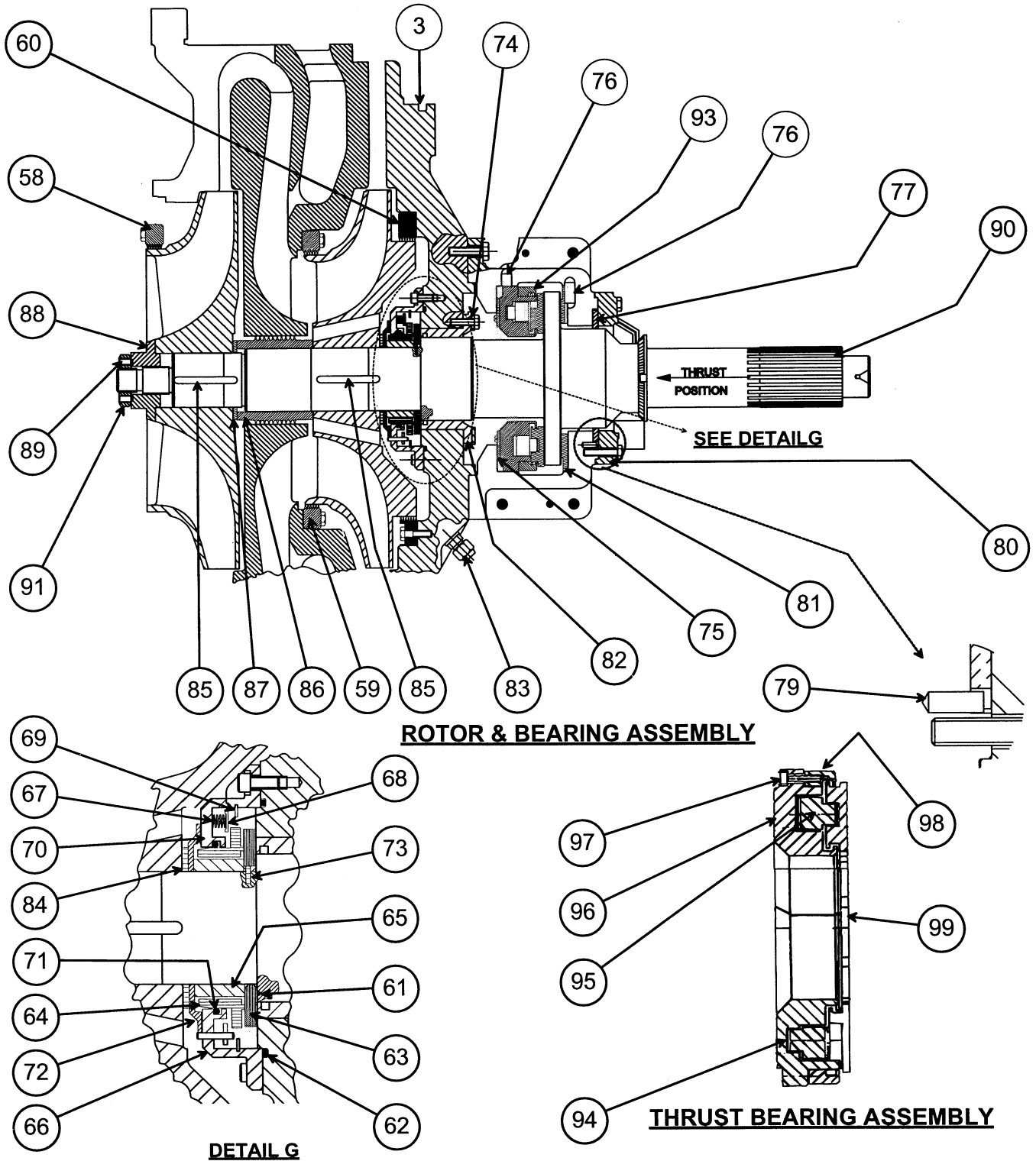
TRANSMISSION ASSEMBLY

Graphics Catalog
Catalog No: RCD-3519-047
Supersedes: RCD-3519-035 & 038
Note: See "Catalog Notes" on last page for explanation of symbolism.

Rev.
Rev.

Graphics Page: 12
Litho in U.S.A

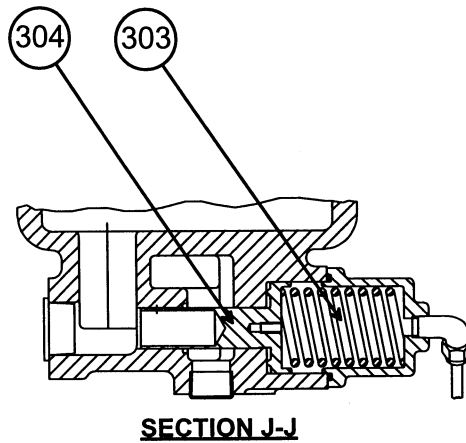
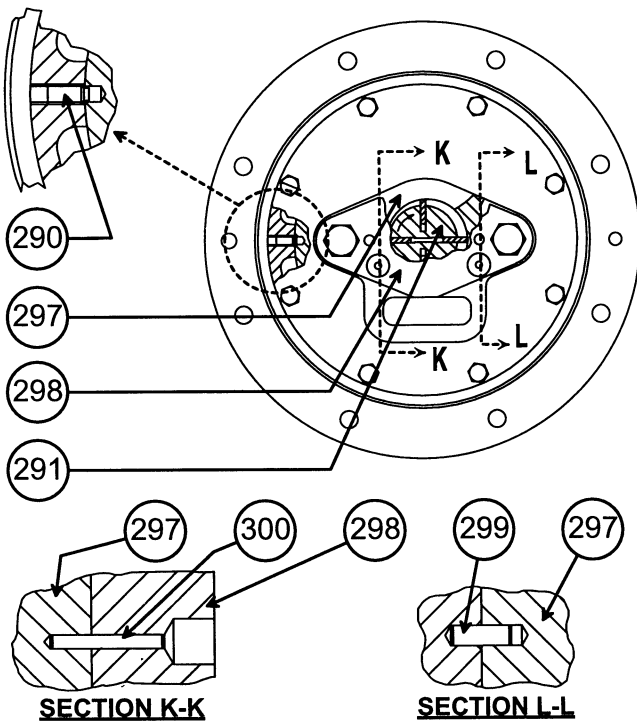
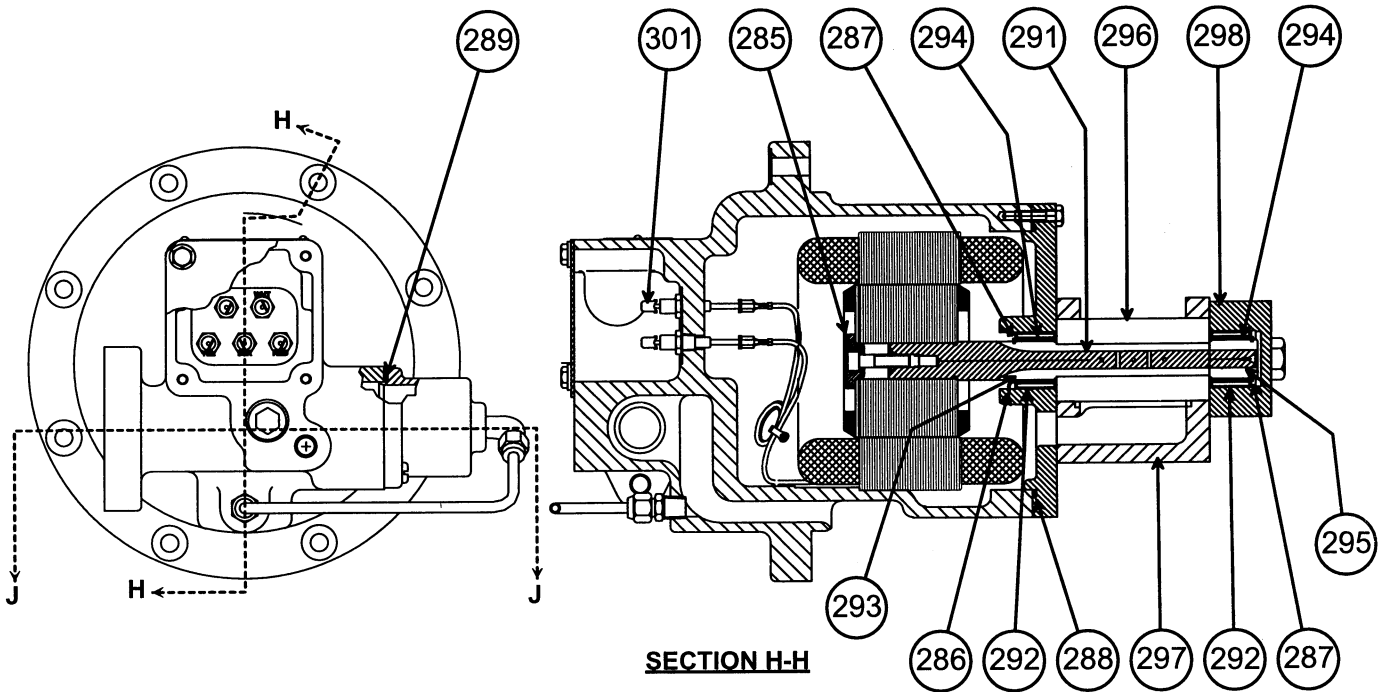




Graphics Catalog
 Catalog No: RCD-3519-047 Rev.
 Supersedes: RCD-3519-035 & 038 Rev.
 Note: See "Catalog Notes" on last page for explanation of symbolism.

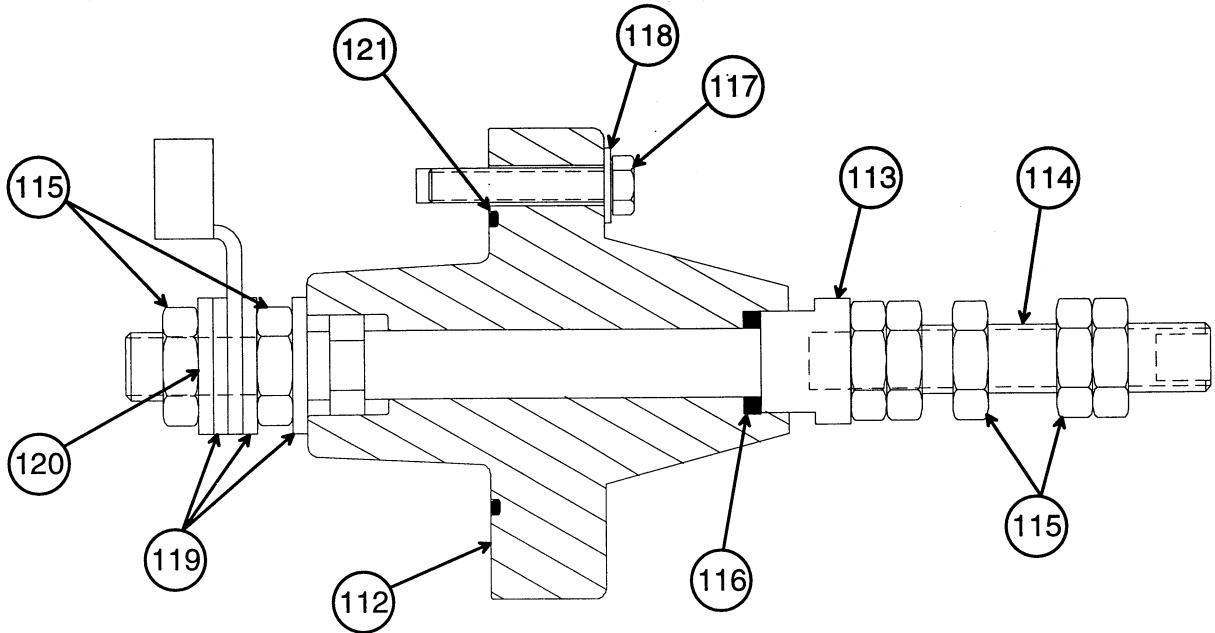
Graphics Page: 13
 Litho in U.S.A



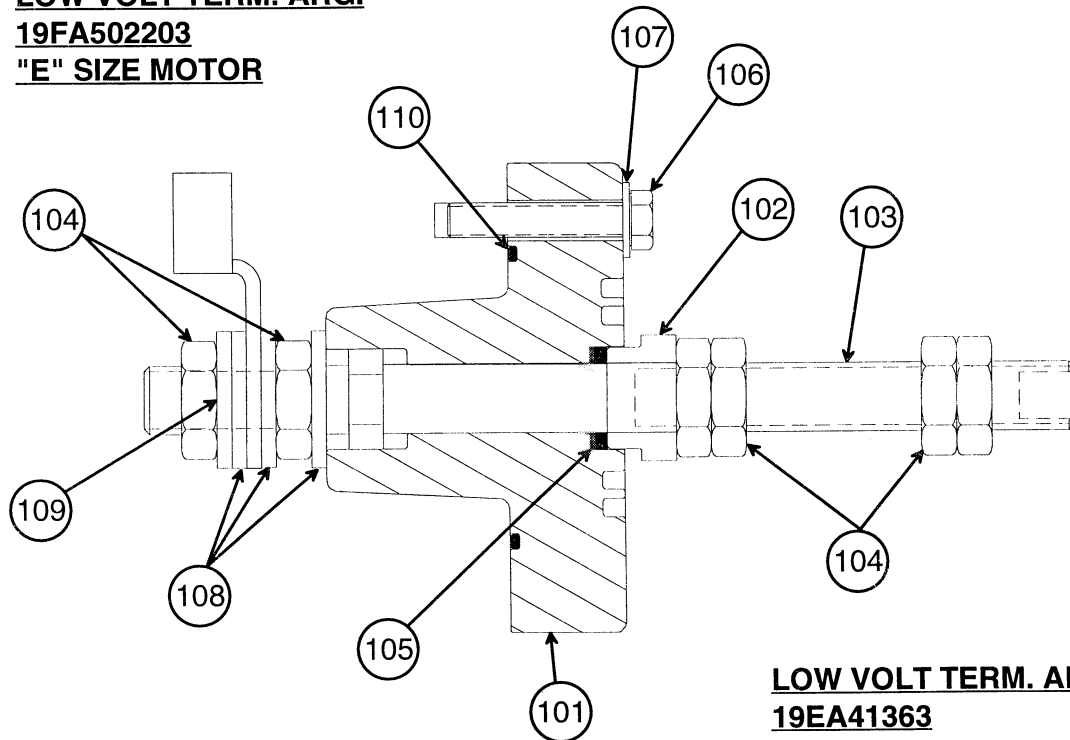


OIL PUMP AND MOTOR ASSEMBLY





LOW VOLT TERM. ARG.
19FA502203
"E" SIZE MOTOR

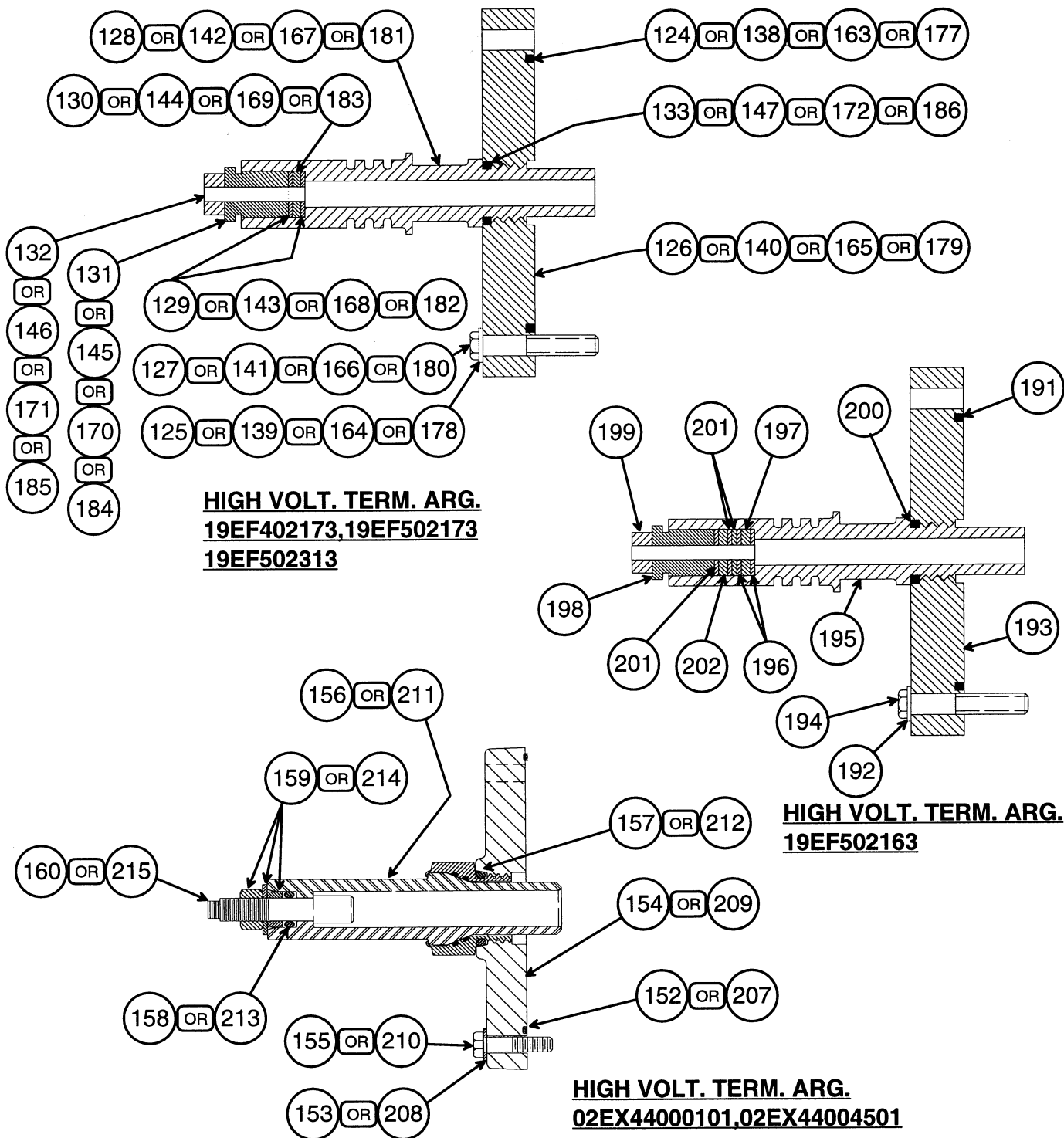


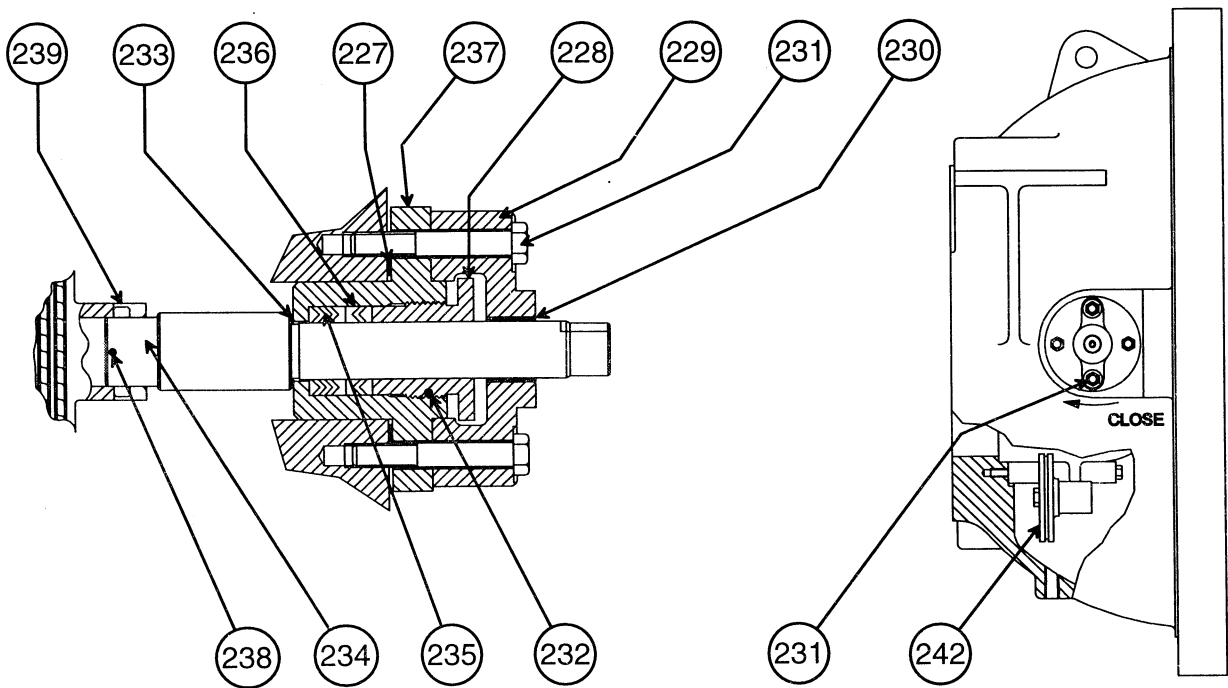
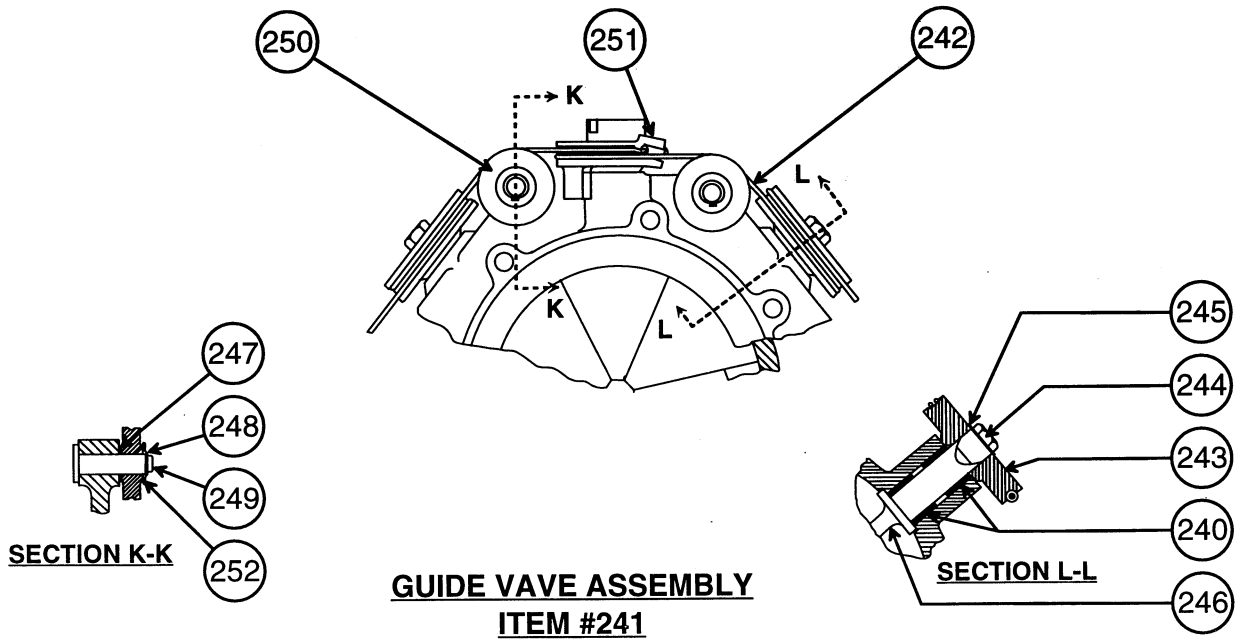
LOW VOLT TERM. ARG.
19EA41363
"D" SIZE MOTOR

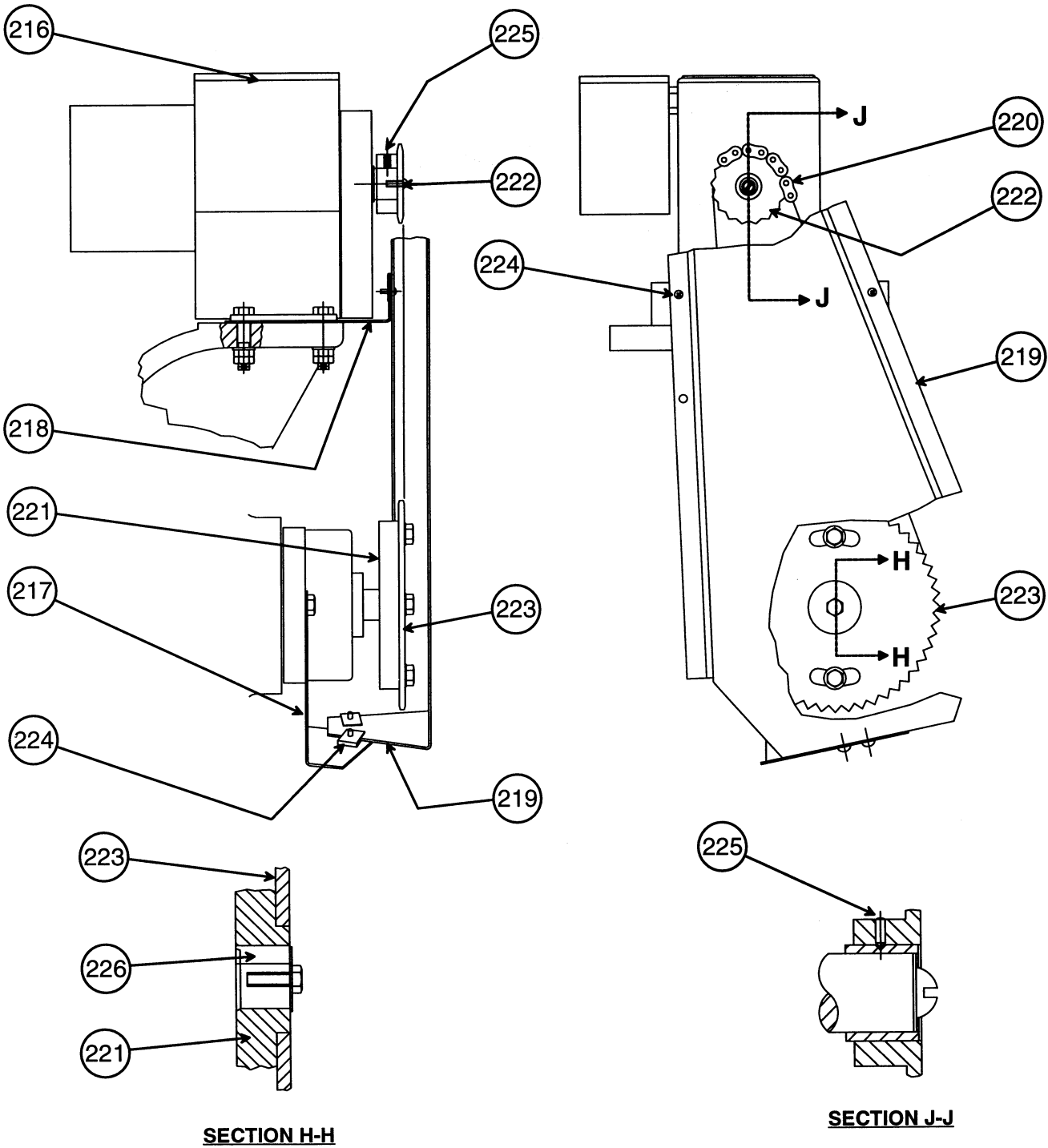


**HERMETIC CENTRIFUGAL
LIQUID CHILLER (R134A)**

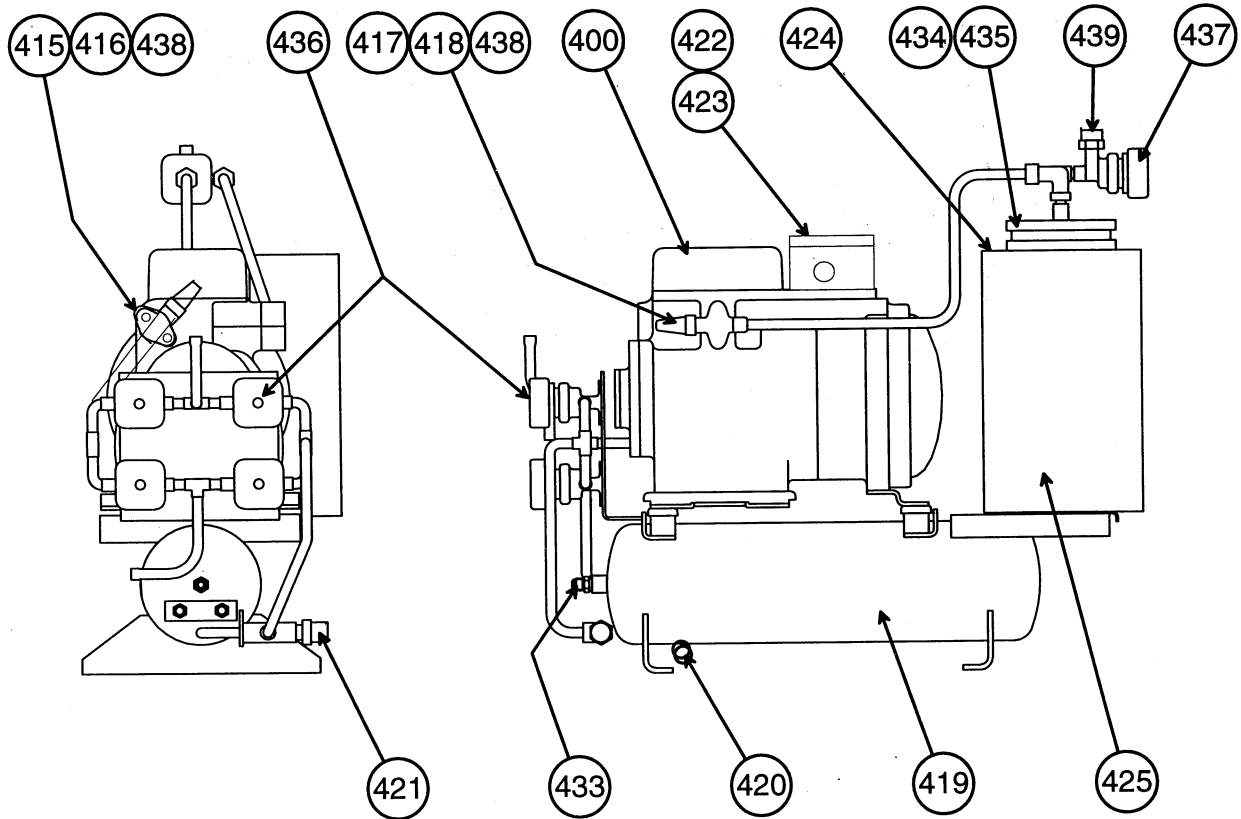
19EX



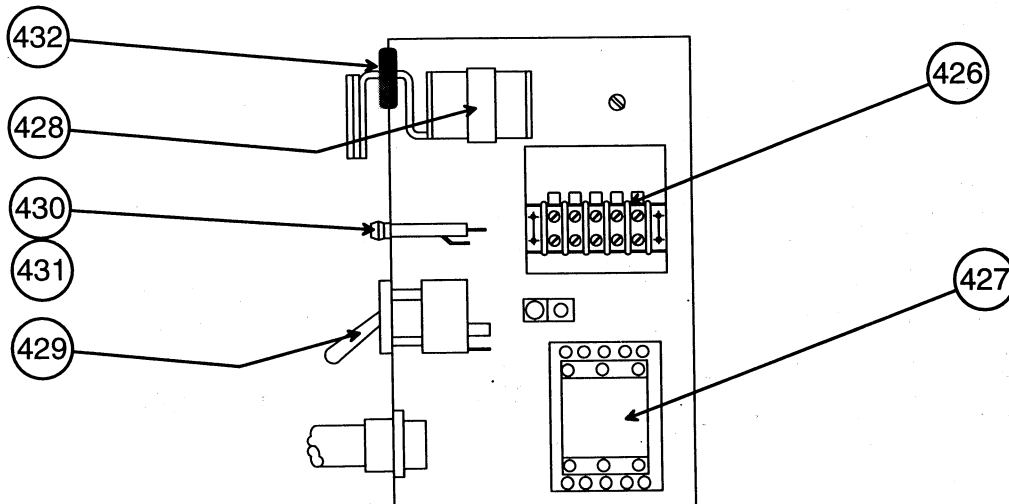




GUIDE VANE DRIVE ASSEMBLY



PUMP DOWN ASSEMBLY, ITEM #399

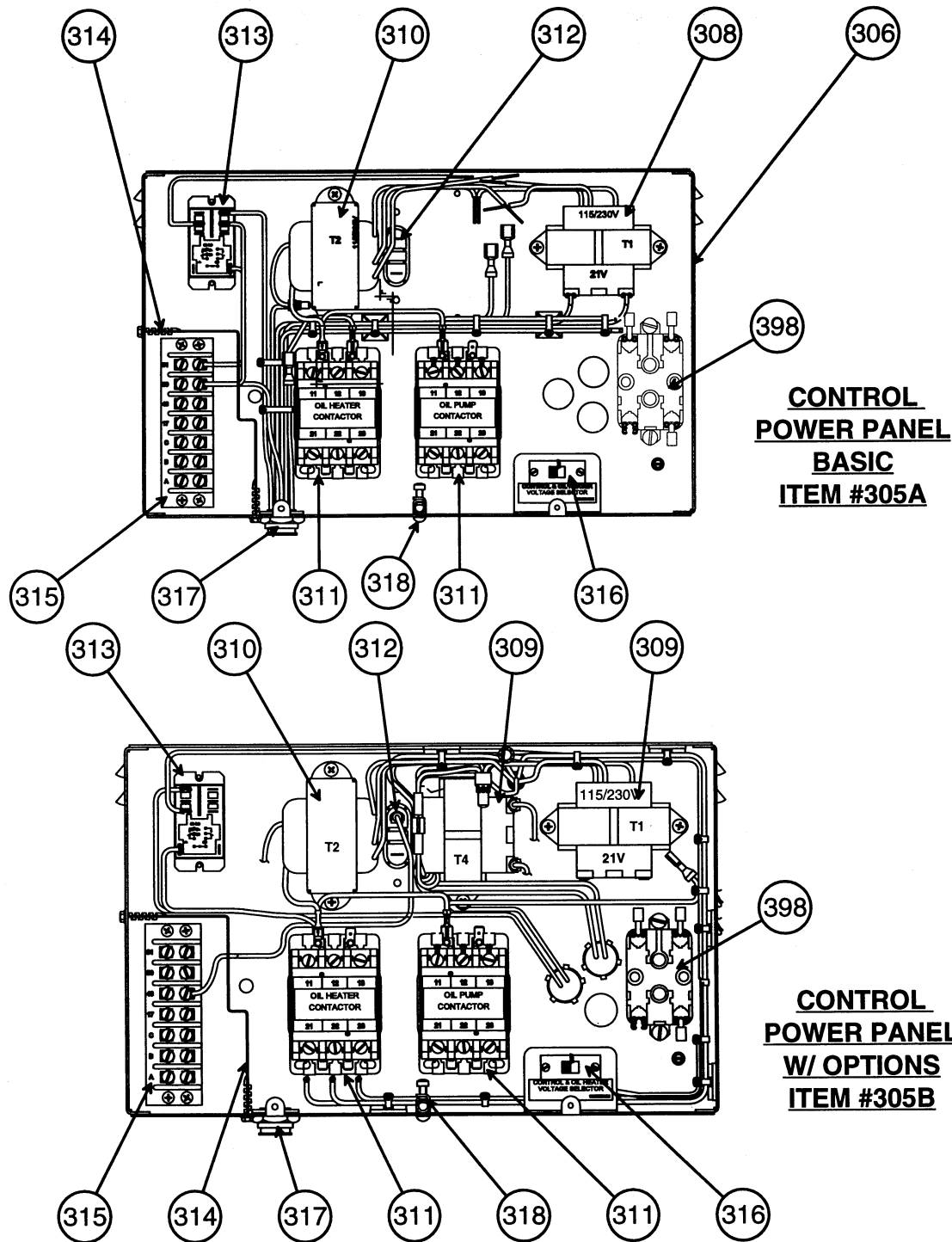


PUMP DOWN CONTROL BOX, ITEM #425



**HERMETIC CENTRIFUGAL
LIQUID CHILLER (R134A)**

19EX



Graphics Catalog

Catalog No: RCD-3519-047

Rev.

Supersedes: RCD-3519-035 & 038

Rev.

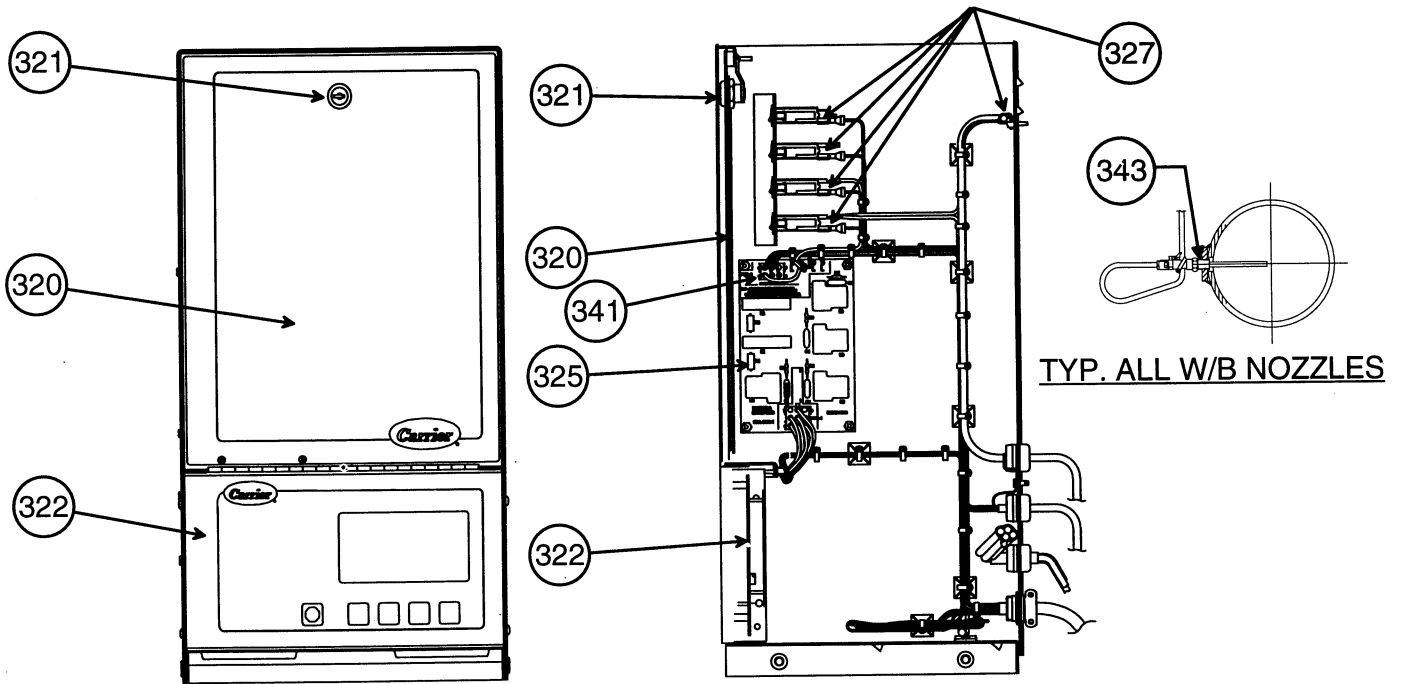
Note: See "Catalog Notes" on last page for explanation of symbolism.

Graphics Page: 20

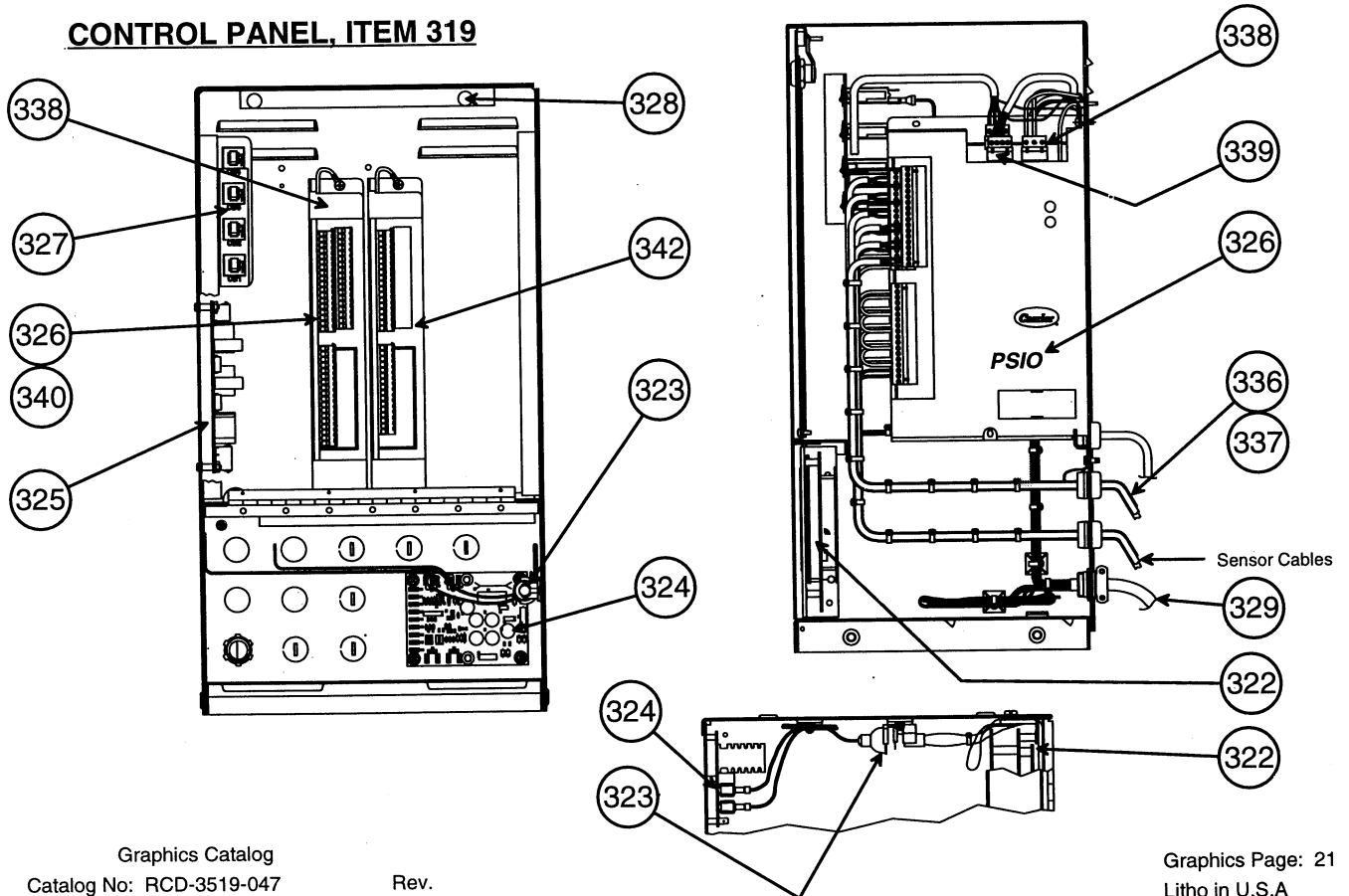
Litho in U.S.A



Electronic Graphics 19047020



CONTROL PANEL, ITEM 319



Graphics Catalog
 Catalog No: RCD-3519-047 Rev.
 Supersedes: RCD-3519-035 & 038 Rev.
 Note: See "Catalog Notes" on last page for explanation of symbolism.

Graphics Page: 21
 Litho in U.S.A





HERMETIC CENTRIFUGAL LIQUID CHILLER (134A)

19EX

SIZE: 003 - 005

SERIES: 0

SERVICE PARTS GUIDE INDEX

GRAPHICS CATALOG NUMBER: RCD-3519-047 REV.

PAGE:

MACHINE ASSEMBLY GRAPHICS..... 1 - 21

PARTS LIST CATALOG NUMBER: RCD-3519-047 REV.

PAGE:

19EX W/FA4 COMPR., 19EX W/FA5 COMPR., 19EX W/02EX COMPER... 1 - 11

*** THIS NEW SERVICE PARTS CATALOG SUPERSEDES THE PRVIOUS
19EX CATALOGS NUMBERED 19.029 AND RCD-3519-035 ***

ATTENTION: PLEASE FILE THIS INFORMATION AS A FINAL RELEASE

.....Attached you will find information that is released as a two part Service Parts Guide. A Service Parts Guide consists of "Graphics Catalog" and "Parts List Catalog". The common link between these two types of catalogs is the CATALOG NUMBER ONLY!! The revision block that follows the Catalog No. is used as a way to update one or both parts of the Service Parts Guide. This Index Page is a reference to let the Service Parts Center know what has been released on the model listed above.

Information about This Release

11/26/96

Parts List Catalog	
Catalog No: RCD-3519-047	Rev.
Supersedes: 19.029 & RCD-3519-035	Rev.

INDEX PAGE
Litho in U.S.A



HERMETIC CENTRIFUGAL
LIQUID CHILLER R134A

19EX

SIZE: 003 005
SERIES: 0

ITM	PART DESCRIPTION	19EX	19EX.	19EX..
		FA4 COMPR.	FA5 COMPR.	02EX COMPR.
COMPRESSOR GROUP				
1	"O" RING, GUIDE VANE HOUSING	KK71GX218	KK71GX267	->
2	"O" RING, INTAKE WALL	KK71GX200	KK71GX245	->
3	"O" RING, DISCHARGE WALL	KK71ER151	KK71EW468	KK71PR075
4	GASKET, INSPECTION COVER	17FA4021303LA	17FA5021303LA	->
5	"O" RING, MOTOR HOUSING	KK71EW500	KK71GX310	KK71EW500
6	GASKET, MOTOR HOUSING (PSN 4996JXXXX)	19EA411303LA	X	X
7	"O" RING	KK71GX199	KK71GX267	KK71GM223
8	GASKET	(5) DK29GA005LA	->	->
9	"O" RING	KK71GZ018	->	->
10	WASHER GASKET	AU51YA015	->	->
11	DOWEL PIN (TRAN HSG/COMPR SHELL)	AX23AT293	->	->
12	SENSOR, TEMPERATURE (DISCH/OIL)	(2) HH79NZ047	(2) ->	(2) ->
13	SENSOR, TEMP. (BEARING)(PART OF # 92)	02EX54002401	->	->
14	SIGHT GLASS (MOTOR END)	KM36BZ002	->	->
15	DOWEL PIN (MTR. SHELL/STATOR)	(8) 19EA431822	(8) ->	(8) ->
16	PIPE PLUG 1/4" NPT	(13) CA63AA051	(14) ->	(14) ->
17	PIPE PLUG 3/8" NPT	X	CA63AA101	->
18	COVER, BEARING HOUSING	19EA521714	->	19EA4121714
19	PIPE PLUG 1/2" NPT	CA63AA151	->	->
20	PIPE PLUG 1-1/4" HEX HD.	CA63AA301	->	->
21	COVER, BOX (MTR. TEMP. SENSOR)	HX08FZ050	->	->
22	BOX, TERMINAL (MTR. TEMP. SENSOR)	HX22FS036	->	->
23	TERMINAL (MTR. TEMP. SENSOR)	HY85FP041	->	->
REAR BEARING ASSEMBLY				
24	DOWEL PIN	AX11AR037	->	->
25	SOCKET HEAD CAP SCREW	(5) AA44AA177	(5) ->	(5) ->
26	SEAL RING, CARBON	19EA511312	->	->
27	CONTACT RING	19EA511962	->	->
28	LOCKNUT	19EA511362	->	->
29	DOWEL PIN	19EA512062	(3) ->	(3) ->
30	BEARING, END BELL	19EA511972	->	->
31	"O" RING	(3) KK71GZ041	->	->
32	"O" RING	(2) KK71GX060	(2) ->	(2) ->
33	BEARING HOUSING	19EA521024	->	->
34	DOWEL PIN	(3) AX11AR130	(3) ->	(3) ->
35	"O" RING	KK71GX052	->	->
36	"O" RING	KK71GX037	->	->
37	PRESSURE PLATE	19EA5121013	->	->
38	SPRING	19EA511952	->	->
39	LABYRINTH	19EA521023	->	->
40A	SPRAY RING (D FRAME MOTOR ONLY)	19EA511194	->	->
40B	SPRAY RING (E FRAME MOTOR ONLY)	19FA5021014	->	->
41	SCREW SET	AE19AR100	->	->
COMPRESSOR TRANSMISSION ASSEMBLY				
42	SPACER (WINDAGE BAFFLE)	(6) 17FA4021072	(6) ->	(6) ->
43	KEY, BEARING	17FA4021122	17FA5021122	19FF5121142
44A	GEAR & PINION PKG (A SIZE GEAR)	19FA660010	19FA660005	X
44B	GEAR & PINION PKG (B SIZE GEAR)	19FA660001	19FA660006	X
44C	GEAR & PINION PKG (C SIZE GEAR)	19FA660002	19FA660007	X
44D	GEAR & PINION PKG (D SIZE GEAR)	19FA660003	19FA660008	X
44E	GEAR & PINION PKG (60HZ)	X	X	19EA51831
44F	GEAR & PINION PKG (50HZ)	X	X	19EA56831
45	WINDAGE BAFFLE	(2) 17FA4021243	(2) 17FA5021243	(2) ->
46	NOZZLE	(4) 19EA411792	(4) ->	(4) ->

PARTS LIST CATALOG

PARTS LIST PAGE: 001

CATALOG NO.: RCD-3519-047 REV.
SUPERSEDES : 3519-035 & 038 REV.

NOTE: SEE "CATALOG NOTES" ON LAST PAGE FOR EXPLANATION OF SYMBOLISM.



HERMETIC CENTRIFUGAL
LIQUID CHILLER R134A

19EX

SIZE: 003 005
SERIES: 0

ITM	PART DESCRIPTION	19EX	19EX.	19EX..	
		FA4 COMPR.	FA5 COMPR.	02EX COMPR.	
COMPRESSOR TRANSMISSION ASSEMBLY					
47	SHAFT LABYRINTH	17FA4022094	17FA5022094	->	
48	BEARING ASY,BULL GEAR	19FA402354	19FA502354	19EF512204	
49A	BEARING ASY,PINION GEAR(A SIZE GEAR)	17FA402324	17FA502384	X	
49B	BEARING ASY,PINION GEAR(B SIZE GEAR)	17FA402324	17FA502384	X	
49C	BEARING ASY,PINION GEAR(C SIZE GEAR)	17FA402314	17FA502384	X	
49D	BEARING ASY,PINION GEAR(D SIZE GEAR)	17FA402314	17FA502374	X	
49E	BEARING ASY,PINION(02EX COMPR. ONLY)	X	X	19EF512224	
50	GEAR KEY	(2) 17FA4021252	(2) 17FA5021252	(2) 19FA5119222	
51	COVER,DEMISTER	19FA411152	->	->	
52	DEMISTER	19FA411063	->	->	
53	SCREW,MACHINE	(6) AC26A1126	(6) ->	(6) ->	
54	"0" RING,DEMISTOR COVER	KK71GU031LA	->	->	
55	SET SCREW	AF11CA164	->	->	
56	"0" RING(PINION/GEAR BRG OIL SUPPLY)	(2) KK71GX010	(2) ->	KK71GX011	
57	"0" RING	X	X	(2) KK71GX052	
COMPRESSOR ROTOR & BEARING ASSEMBLY					
58A	1ST STAGE LABYRINTH (A2 SHROUD)	19FA4021163	X	X	
58B	1ST STAGE LABYRINTH (A3 SHROUD)	19FA431413	19FA532034	->	
58C	1ST STAGE LABYRINTH (A4 SHROUD)	19FA451413	19FA542034	->	
58D	1ST STAGE LABYRINTH (A5 SHROUD)	19FA481413	19FA552034	->	
58E	1ST STAGE LABYRINTH (A6 SHROUD)	19FA411363	19FA562034	->	
58F	1ST STAGE LABYRINTH (A8 SHROUD)	X	17FA6022904	X	
58G	1ST STAGE LABYRINTH (A9 SHROUD)	X	17FA6122904	X	
59A	2ND STAGE LABYRINTH (A2 SHROUD)	19FA4021155	X	X	
59B	2ND STAGE LABYRINTH (A3 SHROUD)	19FA421033	19FA532044	->	
59C	2ND STAGE LABYRINTH (A4 SHROUD)	19FA441033	19FA542044	->	
59D	2ND STAGE LABYRINTH (A5 SHROUD)	19FA461033	19FA552044	->	
59E	2ND STAGE LABYRINTH (A6 SHROUD)	19FA421073	19FA562044	->	
59F	2ND STAGE LABYRINTH (A8 SHROUD)	X	17FA5823004	X	
59G	2ND STAGE LABYRINTH (A9 SHROUD)	X	17FA5923004	X	
60A	LABY,BAL PISTON(A2 SHROUD)(5.19 DIA)	17FA4121343	X	X	
60B	LABY,BAL PISTON(A2 SHROUD)(6.09 DIA)	17FA4021333	X	X	
60C	LABY,BAL PISTON(A3 SHROUD)(6.09 DIA)	17FA4021333	X	X	
60D	LABY,BAL PISTON(A4 SHROUD)(6.09 DIA)	17FA4021333	X	X	
60E	LABY,BAL PISTON(A4 SHROUD)(6.96 DIA)	17FA4021343	X	X	
60F	LABY,BAL PISTON(A5 SHROUD)(6.96 DIA)	17FA4021343	X	X	
60G	LABY,BAL PISTON(A6 SHROUD)(6.96 DIA)	17FA4021343	X	X	
60H	LABY,BAL PISTON(A3 SHROUD)(7.60 DIA)	X	17FA5021333	->	
60I	LABY,BAL PISTON(A4 SHROUD)(7.60 DIA)	X	17FA5021333	->	
60J	LABY,BAL PISTON(A5 SHROUD)(8.76 DIA)	X	17FA5021343	->	
60K	LABY,BAL PISTON(A5 SHROUD)(9.08 DIA)	X	17FA5021353	->	
60L	LABY,BAL PISTON(A6 SHROUD)(9.08 DIA)	X	17FA5021353	->	
60M	LABY,BAL PISTON(A8 SHROUD)(8.50 DIA)	X	17FA5823104	X	
60N	LABY,BAL PISTON(A9 SHROUD)(8.50 DIA)	X	17FA5823104	X	
61	"0" RING	KK71GX022	KK71GX024	->	
62	"0" RING,SEAL HOUSING	KK71GX037	KK71GX051	->	
63	CONTACT SEAL	19EA411172	19EA511172	->	
64	CARBON SEAL RING	19EB4121003	19EB5121012	->	
65	SHAFT SLEEVE	19EA411081	19EA511082	->	
66	SEAL HOUSING ASSEMBLY	19EB412102	19EB512102	->	
INCLUDES: ITEMS 67 - 70					
67	SPRING	(8) 19EA411291	(12) ->	(12) ->	
68	SPRING RETAINER	19EA411392	19EA511392	->	
69	RETAINING RING	AU46AR975	AU46AR976	->	

PARTS LIST CATALOG

PARTS LIST PAGE: 002

CATALOG NO. : RCD-3519-047 REV.
SUPERSEDES : 3519-035 & 038 REV.

NOTE: SEE "CATALOG NOTES" ON LAST PAGE FOR EXPLANATION OF SYMBOLISM.



HERMETIC CENTRIFUGAL
LIQUID CHILLER R134A

19EX

SIZE: 003 005
SERIES: 0

ITM	PART DESCRIPTION	19EX	19EX.	19EX..	
		FA4 COMPR.	FA5 COMPR.	02EX COMPR.	
COMPRESSOR ROTOR & BEARING ASSEMBLY					
70	SEAL HOUSING	19EB412102	19EB512103	->	
71	"O" RING,CARBON SEAL	KK71GX025	KK71GX031	->	
72	SLINGER RING	19FA411382	19FA511382	->	
73	DOWEL PIN	AX11AR037	->	->	
74	RETAINER,BEARING	17FA4021052	17FA5021052	->	
75	SHIM,THRUST BEARING	17FA402213	17FA502213	->	
76	KEY,THRUST BEARING	(2) 17FA4021372	(2) ->	(2) ->	
77	SEAL RING	19FA411312	19FA511862	->	
78	SHAFT DISPLACEMENT DETECTOR	17FA402382	19FA680006	->	
79	DRIVE PIN	AX27AB122	->	->	
80	MOUNTING RING ASSEMBLY	17FA402143	17FA502143	->	
81	BEARING,COUNTERTHRUST	17FA402113	17FA502113	->	
82	JOURNAL BEARING ASSEMBLY	17FA402123	17FA502123	->	
83	CHECK VALVE ORIFICE	19EA41262	->	->	
84	SHIM,IMPELLER	19EA411111	19EA511882	->	
85	KEY,IMPELLER	(6) 17FA4021362	(6) 17FA5021362	(6) ->	
86	SPACER,IMPELLER	19EA411372	19EA511372	->	
87	SHIM,IMPELLER	19EA411101	19EA531882	->	
88	LOCKNUT,IMPELLER	17FA4121602	17FA5121602	->	
89	SET SCREW,IMPELLER LOCKNUT	(2) AE17AR122	(2) AE17AR166	(2) ->	
90A	SHAFT,IMPELLER(A2/A3/A4/A5/A6 SHROUD	17FA4021054	17FA5021054	19EF5021004	
90B	SHAFT,IMPELLER(A8/A9 SHROUD)	X	17FA5822184	X	
91	LOCKNUT	17FA4021602	17FA5021602	->	
92	THRUST BEARING SENSOR	02EX54002401	->	->	
THRUST BEARING ASSEMBLY					
93	THRUST BEARING ASSEMBLY	17FA402354	17FA502354	->	
INCLUDES: ITEMS 94 - 99					
94	PAD,SPACER	(6) 19DA131261	(8) 19FA512032	(8) ->	
95	LEVELING PAD	(12) 19D320052	(16) 19EA520163	(16) ->	
96	BASE RING ASSEMBLY	17FA402344	17FA502344	->	
97	SCREW,SOC HEAD CAP	(6) AA44AA080	(6) AA44AA246	(6) ->	
98	SHOE RETAINING ASSEMBLY	17FA402103	17FA502103	->	
99	SHOE SET,THRUST BEARING	17FA402212	17FA502212	->	
TERMINAL ARRANGEMENT					
100	TERM. ARG. "D" MTR. (LO-VOLT)	19EA41363	->	->	
INCLUDES: ITEMS 101 - 110					
101	TERMINAL BOARD (LO-VOLT)	19EA421573	->	->	
102	PACKING GLAND (LO-VOLT)	(2) 19FA411142	(2) ->	(2) ->	
103	TERMINAL STUD ASY (LO-VOLT)	(2) 19EA42353	(2) ->	(2) ->	
104	JAM NUT (LO-VOLT)	(12) AT14QA361	(12) ->	(12) ->	
105	PACKING RING (LO-VOLT)	(2) 19FA412432	(2) ->	(2) ->	
106	CAPSCREW,HEXHEAD (LO-VOLT)	(10) AA06BS235	(10) ->	(10) ->	
107	WASHER,PLAIN (LO-VOLT)	(10) AU02AB242	(10) ->	(10) ->	
108	WASHER,BRASS (LO-VOLT)	(6) AU02QA361	(6) ->	(6) ->	
109	WASHER,SPRING (BELL) (LO-VOLT)	(2) AU51AS541	(2) ->	(2) ->	
110	QUAD RING (LO-VOLT)	KK74ZW487	->	->	
111	TERM. ARG. "E" MTR. (LO-VOLT)	X	19FA502203	X	
INCLUDES: ITEMS 112 - 121					
112	TERMINAL BOARD (LO-VOLT)	X	19FA5021013	X	
113	PACKING GLAND (LO-VOLT)	X	(2) 19FA5021012	X	
114	TERMINAL STUD ASY (LO-VOLT)	X	(2) 19FA502102	X	
115	JAM NUT (BRASS) (LO-VOLT)	X	(14) AT14QA481	X	
116	PACKING RING (LO-VOLT)	X	(2) 19FA5021032	X	
117	CAPSCREW,HEXHEAD (LO-VOLT)	X	(14) AA06BS236	X	

PARTS LIST CATALOG

PARTS LIST PAGE: 003

CATALOG NO.: RCD-3519-047 REV.
SUPERSEDES : 3519-035 & 038 REV.

NOTE: SEE "CATALOG NOTES" ON LAST PAGE FOR EXPLANATION OF SYMBOLISM.



HERMETIC CENTRIFUGAL
LIQUID CHILLER R134A

19EX

SIZE: 003 005
SERIES: 0

ITM	PART DESCRIPTION	19EX	19EX.	19EX..	
		FA4 COMPR.	FA5 COMPR.	02EX COMPR.	
TERMINAL ARRANGEMENT					
118	WASHER,PLAIN (LO-VOLT)	X	(14) AU02AB242	X	
119	WASHER,BRASS (LO-VOLT)	X	(6) AU02QA481	X	
120	WASHER,SPRING (BELL) (LO-VOLT)	X	(2) AU51AS781	X	
121	QUAD RING (LO-VOLT)	X	KK71GW0731A	X	
122	TERM. ARG. "D" MTR(HI-VOLT)PSN 1496J	X	19EF402173	X	
123	USED ON MOTOR VOLTAGE	X	2.4, 3.3, 4.16 KV	X	
INCLUDES: ITEMS 124 - 133					
124	QUAD RING (HI-VOLT)	X	KK74ZW487	X	
125	WASHER,PLAIN (HI-VOLT)	X	(10) AU02AB242	X	
126	TERMINAL BOARD (HI-VOLT)	X	19EF4021013	X	
127	CAPSCREW,HEXHEAD (HI-VOLT)	X	(10) AA06BS235	X	
128	TERMINAL INSULATOR (HI-VOLT)	X	19EF680001	X	
129	TERMINAL RETAINER (HI-VOLT)	X	(2) 19FA5021242	X	
130	PACKING RING (HI-VOLT)	X	19FA5021232	X	
131	PACKING NUT (HI-VOLT)	X	19FA5021222	X	
132	JAM NUT (HI-VOLT)	X	AT149A311	X	
133	"O" RING (HI-VOLT)	X	KK71GX015	X	
134	ADAPTER (ANG #4) (HI-VOLT)	X	19EA41004	X	
135	ADAPTER (ANG #1) (HI-VOLT)	X	19EA41005	X	
136	TERM. ARG. "D" MTR(HI-VOLT)PSN 1496J	X	19EF502173	X	
137	USED ON MOTOR VOLTAGE	X	6.3, 6.9 KV	X	
INCLUDES: ITEMS 138 - 147					
138	QUAD RING (HI-VOLT)	X	KK71GW0731A	X	
139	WASHER,PLAIN (HI-VOLT)	X	(14) AU02AB242	X	
140	TERMINAL BOARD (HI-VOLT)	X	19EF5021013	X	
141	CAPSCREW,HEXHEAD (HI-VOLT)	X	(14) AA06BS236	X	
142	TERMINAL INSULATOR (HI-VOLT)	X	19EF680001	X	
143	TERMINAL RETAINER (HI-VOLT)	X	(2) 19FA5021242	X	
144	PACKING RING (HI-VOLT)	X	19FA5021232	X	
145	PACKING NUT (HI-VOLT)	X	19FA5021222	X	
146	JAM NUT (HI-VOLT)	X	AT149A311	X	
147	"O" RING (HI-VOLT)	X	KK71GX015	X	
148	ADAPTER (ANG #4) (HI-VOLT)	X	19EA41004	X	
149	ADAPTER (ANG #1) (HI-VOLT)	X	19EA41005	X	
150	TERM. ARG. "D" MTR(HI-VOLT)SSN 1496J	02EX44000101	->	->	
151	USED ON MOTOR VOLTAGE	ALL HIGH VOLTAGES	->	->	
INCLUDES: ITEMS 152 - 156					
152	QUAD RING (HI-VOLT)	KK74ZW487	->	->	
153	WASHER,PLAIN (HI-VOLT)	(10) AU02AB242	(10) ->	(10) ->	
154	TERMINAL BOARD (HI-VOLT)	02EX45000201	->	->	
155	CAPSCREW,HEXHEAD (HI-VOLT)	(10) AA06BS234	(10) ->	(10) ->	
156	TERMINAL ASY (HI-VOLT)	(3) 02XB05003001	(3) ->	(3) ->	
INCLUDES: ITEMS 157 - 160					
157	"O" RING (INNER)(HI-VOLT)	KK71EW325	->	->	
158	"O" RING (OUTER)(HI-VOLT)	KK71EW311	->	->	
159	TERMINAL REBUILD KIT (HI-VOLT)	19XR660018	->	->	
160	TERMINAL STUD (HI-VOLT)	19XR660019	->	->	
161	TERM. ARG. "E" MTR(HI-VOLT)PSN 1496J	X	19FA502313	X	
162	USED ON MOTOR VOLTAGE	X	2.4 KV ONLY	X	
INCLUDES: ITEMS 163 - 172					
163	QUAD RING (HI-VOLT)	X	KK71GW0731A	X	
164	WASHER,PLAIN (HI-VOLT)	X	(14) AU02AB242	X	
165	TERMINAL BOARD (HI-VOLT)	X	19EF5021013	X	
166	CAPSCREW,HEXHEAD (HI-VOLT)	X	(14) AA06BS236	X	

PARTS LIST CATALOG

PARTS LIST PAGE: 004

CATALOG NO.: RCD-3519-047 REV.
SUPERSEDES : 3519-035 & 038 REV.

NOTE: SEE "CATALOG NOTES" ON LAST PAGE FOR EXPLANATION OF SYMBOLISM.



HERMETIC CENTRIFUGAL
LIQUID CHILLER R134A

19EX

SIZE: 003 005
SERIES: 0

ITM	PART DESCRIPTION	19EX	19EX.	19EX..
		FA4 COMPR.	FA5 COMPR.	02EX COMPR.
TERMINAL ARRANGEMENT				
167	TERMINAL INSULATOR (HI-VOLT)	X	19EF680001	X
168	TERMINAL RETAINER (HI-VOLT)	X	(2) 19FA5021242	X
169	PACKING RING (HI-VOLT)	X	19FA5021232	X
170	PACKING NUT (HI-VOLT)	X	19FA5021222	X
171	JAM NUT (HI-VOLT)	X	AT14QA311	X
172	"O" RING (HI-VOLT)	X	KK71GX015	X
173	ADAPTER (AWG #4) (HI-VOLT)	X	19EA41004	X
174	ADAPTER (AWG #1) (HI-VOLT)	X	19EA41005	X
175	TERM. ARG. "E" MTR(HI-VOLT)PSN 1496J	X	19EF502173	X
176	USED ON MOTOR VOLTAGE	X	3.3, 4.16 KV	X
INCLUDES: ITEMS 177 - 186				
177	QUAD RING (HI-VOLT)	X	KK71GW073LA	X
178	WASHER,PLAIN (HI-VOLT)	X	AU02AB242	X
179	TERMINAL BOARD (HI-VOLT)	X	19EF5021013	X
180	CAPSCREW,HEXHEAD (HI-VOLT)	X	(14) AA06BS236	X
181	TERMINAL INSULATOR (HI-VOLT)	X	19EF680001	X
182	TERMINAL RETAINER (HI-VOLT)	X	(2) 19FA5021242	X
183	PACKING RING (HI-VOLT)	X	19FA5021232	X
184	PACKING NUT (HI-VOLT)	X	19FA5021222	X
185	JAM NUT (HI-VOLT)	X	AT14QA311	X
186	"O" RING (HI-VOLT)	X	KK71GX015	X
187	ADAPTER (AWG #4) (HI-VOLT)	X	19EA41004	X
188	ADAPTER (AWG #1) (HI-VOLT)	X	19EA41005	X
189	TERM. ARG. "E" MTR(HI-VOLT)PSN 1496J	X	19EF502163	X
190	USED ON MOTOR VOLTAGE	X	6.3, 6.9 KV	X
INCLUDES: ITEMS 191 - 202				
191	QUAD RING (HI-VOLT)	X	KK71GW073LA	X
192	WASHER,PLAIN (HI-VOLT)	X	(14) AU02AB242	X
193	TERMINAL BOARD (HI-VOLT)	X	19EF5021013	X
194	CAPSCREW,HEXHEAD (HI-VOLT)	X	(14) AA06BS236	X
195	TERMINAL INSULATOR (HI-VOLT)	X	19EF680002	X
196	TERMINAL RETAINER (HI-VOLT)	X	(2) 19EA4021042	X
197	PACKING RING (HI-VOLT)	X	19EA4021052	X
198	PACKING NUT (HI-VOLT)	X	19FA5021222	X
199	JAM NUT (HI-VOLT)	X	AT14QA311	X
200	"O" RING (HI-VOLT)	X	KK71GX015	X
201	TERMINAL RETAINER (HI-VOLT)	X	(3) 19FA5021242	X
202	PACKING RING (HI-VOLT)	X	19FA5021232	X
203	ADAPTER (AWG #4)	X	19EA41004	X
204	ADAPTER (AWG #1)	X	19EA41005	X
205	TERM. ARG. "E" MTR(HI-VOLT)SSN 1496J	X	02EX54004501	X
206	USED ON MOTOR VOLTAGE	X	ALL HIGH VOLTAGES	X
INCLUDES: ITEMS 207 - 211				
207	QUAD RING (HI-VOLT)	X	KK71GW073LA	X
208	WASHER,PLAIN (HI-VOLT)	X	(14) AU02AB242	X
209	TERMINAL BOARD (HI-VOLT)	X	02EX55006201	X
210	CAPSCREW,HEXHEAD (HI-VOLT)	X	(14) AA06BS234	X
211	TERMINAL ASY (HI-VOLT)	X	(3) 02XR05003001	X
INCLUDES: ITEMS 212 - 215				
212	"O" RING (INNER) (HI-VOLT)	X	KK71EW325	X
213	"O" RING (OUTER) (HI-VOLT)	X	KK71EW311	X
214	TERMINAL REBUILD KIT (HI-VOLT)	X	19XR660018	X
215	TERMINAL STUD (HI-VOLT)	X	19XR660019	X

PARTS LIST CATALOG

PARTS LIST PAGE: 005

CATALOG NO.: RCD-3519-047 REV.
SUPERSEDES : 3519-035 & 038 REV.

NOTE: SEE "CATALOG NOTES" ON LAST PAGE FOR EXPLANATION OF SYMBOLISM.



HERMETIC CENTRIFUGAL
LIQUID CHILLER R134A

19EX

SIZE: 003 005
SERIES: 0

ITM	PART DESCRIPTION	19EX	19EX.	19EX..	
		FA4 COMPR.	FA5 COMPR.	02EX COMPR.	
GUIDE VANE & BLADE RING					
216	MOTOR,ACTUATOR	HF268B025	->	->	
217	MOUNTING BRACKET (LOWER)	17FA5121533	->	->	
218	MOUNTING PLATE	17FA5121553	->	->	
219	CHAIN GUARD (ABS)	17FA512303	02EX54002301	->	
220	CHAIN KIT	19EX660002	->	->	
221	SPROCKET HUB (SHAFT)	(2) 17FA5021583	(2) ->	(2) ->	
222	SPROCKET (DRIVE)	17FA5021712	->	->	
223	SPROCKET (SHAFT)	17FA5121543	17FA5121593	17FA5121543	
224	SPEED NUT	(4) AS41BS052	(4) ->	(4) ->	
225	SET SCREW	(2) AE12AA196	(2) ->	(2) ->	
226	KEY (SPROCKET/SHAFT)	17FA5021782	->	->	
227	GASKET,SEAL HOUSING	19EA411021LA	->	->	
228	SEAL RETAINER	19EA421042	->	->	
229	BEARING HOUSING	19EA411032	->	->	
230	BUSHING	KT53XL093	->	->	
231	CAP SCREW,HEX HEAD	(2) AA06GR237	(2) ->	(2) ->	
232	PELLET	19EA411031	->	->	
233	WASHER,THRUST	AU51YA391	->	->	
234	SHAFT,DRIVE PULLEY	19EA432602	19EA531052	->	
235	"V" RING ASSEMBLY (PRESSURE)	KK71HT016	->	->	
236	"V" RING ASSEMBLY (VACUUM)	KK71HT014	->	->	
237	SEAL HOUSING	19EA411022	->	->	
238	ROLLPIN	AX14CA044	->	->	
239	KEY	19D211391	->	->	
240	BUSHING,PRE WHIRL BLADE	(14) KT53XL093	(14) KT53XL102	(14) ->	
241A	GUIDE VANE ASY (A2 SHROUD)	19FA402263	X	X	
241B	GUIDE VANE ASY (A3 SHROUD)	19EA43467	19EA53467	->	
241C	GUIDE VANE ASY (A4 SHROUD)	19EA45467	19EA55467	->	
241D	GUIDE VANE ASY (A5 SHROUD)	19EA47467	19EA57467	->	
241E	GUIDE VANE ASY (A6 SHROUD)	19EA49467	19EA59467	->	
241F	GUIDE VANE ASY (A8 SHROUD)	X	17FA582438	X	
241G	GUIDE VANE ASY (A9 SHROUD)	X	17FA592438	X	
INCLUDES: ITEMS 242 - 252					
242	CABLE ASSEMBLY	19FA43102	19EA51102	->	
243	BLADE PULLEY	(6) 19EA412142	(6) 19EA512142	(6) ->	
244	CAP SCREW,HEX HEAD	(7) AA13BR294	(7) AA13BR295	(7) ->	
245	WASHER	(7) 19EA412592	(7) ->	(7) ->	
246	PRE-WHIRL BLADE PACKAGE	(7) 19EA660016	(7) 19EA660017	(7) ->	
247	BUSHING,IDLER PULLEY	(7) KT53XL055	(7) KT53XL065	(7) ->	
248	RING,RETAINING	(14) AU48AR061	(7) AU48AR062	(7) ->	
249	PIN,IDLER PULLEY	(7) 19EA431001	(7) 19EA512022	(7) ->	
250	IDLER PULLEY	(7) 19D211252	(7) 19C47771	(7) ->	
251	DRIVE PULLEY	19EA411003	19EA511003	->	
252	WASHER,THRUST	(7) AU02AA332	(7) ->	(7) ->	
LUBRICATION PACKAGE					
253	"O" RING	X	X	KK71EW223	
254	VALVE,SWING CHECK 1 3/8"	EC33BC331	EC33BC391	X	
255	VALVE,LIQUID SHUT OFF	EP12BH331	EP71CQ421	(2) EP12BH331	
256	FILTER ASSEMBLY	17FA502343	(2) ->	(2) ->	
INCLUDES: ITEMS 257 - 260					
257	FILTER CARTRIDGE	(2) 17S40001	(4) ->	(4) ->	
257A	"O" RING,FILTER HOUSING	KK71GX031	->	->	
NOTE:CORRECT HOUSING "O" RING NOT IN FILTER PKG.(17S40001) USE IT#257A					
258	FILTER GUIDE	17FA402372	(2) ->	(2) ->	

PARTS LIST CATALOG

PARTS LIST PAGE: 006

CATALOG NO.: RCD-3519-047 REV.
SUPERSEDES : 3519-035 & 038 REV.

NOTE: SEE "CATALOG NOTES" ON LAST PAGE FOR EXPLANATION OF SYMBOLISM.



HERMETIC CENTRIFUGAL
LIQUID CHILLER R134A

19EX

SIZE: 003 005
SERIES: 0

ITM	PART DESCRIPTION	19EX	19EX.	19EX..	
		FA4 COMPR.	FA5 COMPR.	02EX COMPR.	
LUBRICATION PACKAGE					
259	STOPPER ASSEMBLY	19EA41512	(2) ->	(2) ->	
260	SPRING	17FA4021992	(2) ->	(2) ->	
261	GASKET,OIL COOLER	19FA680004	19FA680005	X	
262	OIL COOLER (TUBE IN SHELL)	17DA712012	17EA9021723	19EF502193	
263	COVER,C'CASE HEATER BOX	02EX55003101	->	->	
264	SIGHT GLASS (OIL LEVEL)	(2) KM368Q199	(2) ->	(2) ->	
265	COVER,ELECTRICAL BOX (BRG TEMP)	02EX55004301	->	->	
266	TERMINALS (BRG TEMP/SHAFT MOVEMENT)	(4) HY85FP041	(4) ->	(4) ->	
267	OIL HEATER	17FA4021363	->	->	
268	VALVE,CHARGING	7792-B	->	->	
269	FLARE CAP	DD19DA201	->	->	
270	BODY,CHECK VALVE (EC39DM062 CORE)	EC39DM061	->	->	
271	RUBBER STRIP	(4) 19EF5021222	(4) ->	(4) ->	
272	SOLENOID VALVE	X	X	EF11JE121	
273	SOLENOID VALVE COIL (24V)	X	X	EF19ZE024	
274	ORIFICE,MOTOR COOLING LINE (25)	02EX55000601	X	02EX55000601	
275	ORIFICE,MOTOR COOLING LINE (38)	X	02EX55000602	X	
276	ORIFICE,OIL COOLING LINE (12)	X	X	02EX55000701	
277	VALVE,EXPANSION	X	X	02XB35018301	
278	VALVE,LIQUID SHUT OFF	X	X	(2) EP12BC331	
280	OIL COOLER (BRAZED PLATE)	X	X	02EX55000401	
OIL PUMP & MOTOR ASSEMBLY					
281 N	COMPRESSOR OIL 68 VIS (5 GAL CAN)	PP23BZ103	->	->	
282 N	COMPRESSOR OIL 68 VIS (1 GAL)(6 PAC)	P903-1001	->	->	
283	"O" RING (OIL PUMP HSG)	KK71G2087	->	->	
284A	OIL PUMP ASSEMBLY (200/240-3-60)	17FA502184	->	02EX54000401	
284B	OIL PUMP ASSEMBLY (380/480-3-60)	17FA512184	->	02EX54000402	
284C	OIL PUMP ASSEMBLY (507/619-3-60)	17FA522184	->	02EX54000403	
284D	OIL PUMP ASSEMBLY (220/240-3-50)	17FA532184	->	02EX54000404	
284E	OIL PUMP ASSEMBLY (346/440-3-50)	17FA542184	->	02EX54000405	
INCLUDES: ITEMS 285 - 304					
285	CLAMPING RING	19D211011	->	->	
286	SNAP RING (INTERNAL)	AU47AA511	->	X	
287	SNAP RING (EXTERNAL)	(2) AU48AR094	(2) ->	X	
288	"O" RING	KK71EW259	->	->	
289	"O" RING	KK71EW228	->	->	
290	SET SCREW (STATOR PINING)	AE17AR166	->	->	
291	SHAFT	17FA4221023	->	19EA5111133	
292	BEARING,ROLLER	(2) KT55ZU100	(2) ->	X	
293	SLEEVE,INNER	X	X	02XB35036101	
294	RACE,INNER	(2) KT55ZU101	(2) ->	X	
295	SLEEVE,OUTER	X	X	02XB35024701	
296	PUMP,VANE	(4) 17FA4021022	(4) ->	(4) 19EA517012	
297	OIL PUMP HOUSING	17FA4222684	->	19EA415394	
298	OIL PUMP COVER	17FA4121603	->	19EA5111143	
299	DOWEL PIN	(2) AX11AR168	(2) ->	(2) ->	
300	DOWEL PIN	(2) AX11AR172	(2) ->	(2) ->	
301	TERMINAL PIN	(5) HY85FP060	(5) ->	(5) ->	
302 N	WIRE CONNECTOR (INTERNAL)	HY89TB009	->	->	
303	SPRING	17FA4121002	->	->	
304	PISTON	17FA4021013	->	->	

PARTS LIST CATALOG

PARTS LIST PAGE: 007

CATALOG NO.: RCD-3519-047 REV.
SUPERSEDES : 3519-035 & 038 REV.

NOTE: SEE "CATALOG NOTES" ON LAST PAGE FOR EXPLANATION OF SYMBOLISM.



HERMETIC CENTRIFUGAL
LIQUID CHILLER R134A

19EX

SIZE: 003 005
SERIES: 0

ITM	PART DESCRIPTION	19EX	19EX.	19EX..	
		FA4 COMPR.	FA5 COMPR.	02EX COMPR.	
CONTROL BOX GROUP					
305A	POWER PANEL ASSEMBLY (BASIC)	19EX54000301	->	->	
305B	POWER PANEL ASSEMBLY (OPTIONS)	19EX54000302	->	->	
	INCLUDES: ITEMS 306 - 318				
306	ENCLOSURE (SHEET METAL ONLY)	19EX04003001	->	->	
307	POWER BOX COVER (W/LABELS)	19EX04002901	->	->	
308	TRANSFORMER (21V)(BASIC)(T1)	HT01BD113	->	->	
309	TRANSFORMER (21V)(OPTIONS)(T1,T4)	HT01BD113	->	->	
310	TRANSFORMER (24V)(T2,T3)	HT01AW235	->	->	
311	CONTACTOR (2)	HN53CD024	(2) ->	(2) ->	
312	DIFF. PRESSURE SWITCH	HK06UB011	->	->	
313	RELAY,OIL AUX	HN61PK052	->	->	
314	BARRIER	19XB05000401	->	->	
315	TERMINAL BLOCK	19XB05002301	->	->	
316	VOLT SELECTOR SWITCH (115/230V)	HR67ZZ125	->	->	
317	WIRE HARNESS ASSEMBLY	19XB04002501	->	->	
318	GROUND LUG	HY90HR001	->	->	
	NOTE: IF YOU HAVE BASIC & WISH TO CONVERT TO OPTIONS YOU MAY ORDER 19XB04005001 OPTIONS PKG.WHICH INCLUDES ALL NECESSARY PARTS TO CONVERT A BASIC PANEL TO AN OPTIONS ONE.INSTRUCTIONS ARE INCLUDED.				
319A	CONTROL PANEL ASY (BASIC)	19EX54001201	->	->	
319B	CONTROL PANEL ASY (OPTIONS)	19EX54001202	->	->	
	INCLUDES: ITEMS 320 - 342				
320	DOOR PANEL ASSEMBLY	19EX04000501	->	->	
321	CAM LOCK (W/KEYS)	KA19NL010	->	->	
322A	LID ASY (PIC CNTRL PANEL)(PSN3596)	19XB04007701	->	->	
322B	LID ASY (PIC CNTRL PANEL)(SSN3596)	CESD130036	->	->	
323	LIGHT ASSY (FOR LID)(PSN3596)	HY19AD005	->	->	
324	POWER SUPPLY (5V DC)(PSN3596)	HK35AA007	->	->	
325	RELAY BOARD (6 PAC)	HK35AA003	->	->	
326	MODULE ASSY (PSIO)	19EX54001901	->	->	
327	CIRCUIT BREAKER (4)	HH83ZB001	(4) ->	(4) ->	
328	RUBBER BUMPER (2)	KA58MR001	(2) ->	(2) ->	
329	WIRE HARNESS (15 WIRE)	19XB04002701	->	->	
330	WIRE HARNESS (6 WIRE)	XXXXXXXXXXXX	->	->	
331	RESISTOR WIRE ASY	19XT04000601	->	->	
	INCLUDES: ITEM 332				
332	RESISTOR (10K,1/2 W)	(3) HT21A2110	(3) ->	(3) ->	
333	TRANSDUCER CABLE ASY	19XB660003	->	->	
	INCLUDES: ITEMS 334 - 335				
334	CABLE CONNECTOR	30GT510011	->	->	
335	PIN TERMINAL	30GT510010	->	->	
336	SENSOR CABLE ASY. (COMPR DISCH)	19EX04001301	->	->	
337	SENSOR CABLE ASY (OIL SUMP TEMP)	19EX04001302	->	->	
338	CONNECTOR PLUG(3PIN)(PSIO)TOP SIDE	HY84EE003	->	->	
339	CONNECTOR PLUG(4PIN)(PSIO)TOP SIDE (2)	HY84EE004	(2) ->	(2) ->	
340	CONNECTOR PLUG(18 PIN)(PSIO) (3)	HY84EE021	(3) ->	(3) ->	
341	CONNECTOR PLUG(6 PIN)(OPTIONS ONLY)	HY06MP106	->	->	
342	MODULE (INPUT) (OPTIONS ONLY)	HK50AA006	->	->	
343	TEMPERATURE SENSOR (W/B NOZZLES) (4)	HH79NZ047	(4) ->	(4) ->	
344	PRESS. TRANSDUCER(CLR/COND/OIL LINE) (3)	HK05YZ002	(3) ->	(3) ->	
345	SENSOR BOX COVER (THRUST/SHAFT MOV.)	HX06HZ050	->	->	
346	HI-DISCHARGE PRESS. CUTOUT	19EX04002601	->	->	
347	STRAIN RELIEF (6)	HW60ZZ250	(6) ->	(6) ->	

PARTS LIST CATALOG

PARTS LIST PAGE: 008

CATALOG NO.: RCD-3519-047 REV.
SUPERSEDES : 3519-035 & 038 REV.

NOTE: SEE "CATALOG NOTES" ON LAST PAGE FOR EXPLANATION OF SYMBOLISM.



HERMETIC CENTRIFUGAL
LIQUID CHILLER R134A

19EX

SIZE: 003 005
SERIES: 0

ITM	PART DESCRIPTION	19EX	19EX.	19EX..
		FA4 COMPR.	FA5 COMPR.	02EX COMPR.
MACHINE ARRANGEMENT & PIPING				
348A	GSKT.CLR WATER BOX FR #3 NIH 150/300	(2) 10EX35001101	X	(2) 10EX35001101
348B	GSKT.CLR WATER BOX FR #3 MAR 150/300	(2) 10EX35001101	X	(2) 10EX35001101
349A	GSKT.CLR WATER BOX FR #4 NIH 150/300	X	(2) 10EX45004701	(2) ->
349B	GSKT.CLR WATER BOX FR #4 MAR 150/300	X	(2) 10EX45005001	(2) ->
350	GSKT.COND W/B FR #3 NIH/MAR 150/300	(2) 09EX35001101	X	(2) 09EX35001101
351	GSKT.COND W/B FR #4 NIH/MAR 150/300	X	(2) 09EX45001101	(2) ->
352	GSKT.COND W/B FR #5 NIH/MAR 150/300	X	(2) 09EX55003001	(2) ->
353 N	SEAL STRIP.DIV PLT 25'LG(CUT TO SUIT)	19XB680001	->	->
NOTE: TO OBTAIN THE PROPER TUBES FOR YOUR PARTICULAR MACHINE CONTACT YOUR CARRIER REPRESENTATIVE. YOU MUST PROVIDE MACHINE SERIAL NUMBER.				
354	COOLER TUBE (SEE NOTE ABOVE)	TUBE QUANTITY	->	->
354A	COOLER TUBE QTY FR #31	672	X	672
354B	COOLER TUBE QTY FR #32	756	X	756
354C	COOLER TUBE QTY FR #33	840	X	840
354D	COOLER TUBE QTY FR #41/45	X	924	->
354E	COOLER TUBE QTY FR #42/46	X	1088	->
354F	COOLER TUBE QTY FR #43/47	X	1092	->
354G	COOLER TUBE QTY FR #44/48	X	1452	->
355	CONDENSER TUBE (SEE NOTE ABOVE)	TUBE QUANTITY	->	->
355A	CONDENSER TUBE QTY FR #31	720	X	720
355B	CONDENSER TUBE QTY FR #32	810	X	810
355C	CONDENSER TUBE QTY FR #33	900	X	900
355D	CONDENSER TUBE QTY FR #41/45	X	990	->
355E	CONDENSER TUBE QTY FR #42/46	X	1080	->
355F	CONDENSER TUBE QTY FR #43/47	X	1170	->
355G	CONDENSER TUBE QTY FR #51/55	X	1288	->
355H	CONDENSER TUBE QTY FR #52/56	X	1458	->
355I	CONDENSER TUBE QTY FR #53/57	X	1602	->
356	VALVE.SCHRADER	(4) 06DA403844	(4) ->	(4) ->
357	ANGLE VALVE 1/2" (ECON/COND)	(2) 7792-B	(2) ->	(2) ->
358	FLARE CAP 1/2"	(4) DD19CA601	(4) ->	(4) ->
359	THERMOWELL (COND)	17FA101102	->	->
360	GASKET,ECON HI SIDE COVER	09EX45002201	->	->
361	GASKET,ECON LO SIDE COVER	09EX45002101	->	->
362A	FLOAT VALVE ASSEMBLY (CODE 1)(HI/LO)	09EX44007501	->	->
362B	FLOAT VALVE ASSEMBLY (CODE 2)(HI/LO)	09EX54001301	->	->
INCLUDES: ITEMS 363 - 369				
363	FLOAT BALL	EC28HZ243	->	->
364	SHAFT KEY	(2) 17FA1051452	(2) ->	(2) ->
365	BALL BEARING	(2) KT01BG060	(2) ->	(2) ->
366	RING.INTERNAL RETAINING	AU47AA511	->	->
367	FLOAT ARM ASSEMBLY	09EX44001601	->	->
368	SHAFT COLLAR	(2) 09EX45002801	(2) ->	(2) ->
369	SET SCREW	(2) AE19AR193	(2) ->	(2) ->
370A	VALVE 8" (CONDENSER DRAIN)	ER39MZ830	X	ER39MZ830
370B	VALVE 10" (CONDENSER DRAIN)	X	ER39MZ860	->
371A	VALVE 4" (COOLER LIQUID FEED)	ER39MZ711	X	ER39MZ711
371B	VALVE 5" (COOLER LIQUID FEED)	X	ER39MZ751	->
372A	GASKET 11.75 B.C.(SUCTION AT COMPR.)	17FA1011052LA	X	X
372B	GASKET 14.25 B.C.(SUCTION AT COMPR.)	X	19EA411432LA	->
373A	GASKET 11.75 B.C.(DISCH. AT COMPR.)	17FA1011082LA	X	X
373B	GASKET 14.25 B.C.(DISCH. AT COMPR.)	X	19EA411432LA	->
374A	GASKET 10" (SUCTION LINE)	CT99QX851	X	X
374B	GASKET 21.25" (SUCTION LINE)	X	17FA2411052LA	->

PARTS LIST CATALOG

PARTS LIST PAGE: 009

CATALOG NO.: RCD-3519-047 REV.
SUPERSEDES : 3519-035 & 038 REV.

NOTE: SEE "CATALOG NOTES" ON LAST PAGE FOR EXPLANATION OF SYMBOLISM.



HERMETIC CENTRIFUGAL
LIQUID CHILLER R134A

19EX

SIZE: 003 005
SERIES: 0

ITM	PART DESCRIPTION	19EX	19EX.	19EX..	
		FA4 COMPR.	FA5 COMPR.	02EX COMPR.	
MACHINE ARRANGEMENT & PIPING					
375A	GASKET 9.25 B.C.(ECON LINE/COMPR END	17FA1011062LA	X	X	
375B	GASKET 11.75 B.C.(ECON LINE/COMPR EN	X	17FA1011052LA	->	
376A	GASKET,RING 4" (COOLER FEED)	(2) 19EX05001401	X	(2) 19EX05001401	
376B	GASKET,RING 5" (COOLER FEED)	X	(2) CT99QX651	(2) ->	
377	GASKET,RING 2" (REFRIG RETURN)	(2) CT99QX401LA	(2) ->	(2) ->	
378	VALVE,RELIEF (3 CLR/2 ECON)	(4) 19EB660006	(5) ->	(5) ->	
379	3 WAY VALVE (ECON)	8024	->	->	
380	COMPOUND GAUGE (ECON)	KM03AF280	->	->	
381	VALVE,BALL 1" (CLR FEED DRAINS)	(2) EP71CQ306	(2) ->	(2) ->	
382A	GASKET,RING 8" (CONDENSER DRAIN)	(2) CT99QX801	X	(2) CT99QX801	
382B	GASKET,RING 10" (CONDENSER DRAIN)	X	(2) CT99QX851	->	
383	GASKET,RING 10" (CONDENSER DRAIN)	CT99QX851	->	->	
384	VALVE,BALL 1/2 ODS	900204	->	->	
385	VALVE,PLUG (1") (OIL COOLER)	EV01CZ305	->	->	
386	VALVE,SOLENOID (1") (OIL COOLER)	EF23CM301	->	->	
387	FILTER DRIER	P505-81449	->	->	
388	DRIER CORES	(3) P506-8D48	(3) ->	(3) ->	
389	MOISTURE INDICATOR 1 1/8 ODS	P509-8SS9	->	->	
390	VALVE,BALL,3/8 ODS (MTR COOL LINE)	EP71BA121	->	->	
391	GASKET 4" (ECON GAS VALVES)	(4) 19EX05001401	(4) ->	(4) ->	
392	VALVE ASY 4" (ECON GAS)	19FA501123	->	->	
393	"O" RING AND PACKING PACKAGE	19FA660027	->	->	
394	VALVE ASY,BUTTERFLY 4" (ECON GAS)	ER39M2711	->	->	
395A	GASKET,RING 8" (DISCHARGE)	CT99QX801	X	X	
395B	GASKET,RING 10" (DISCHARGE)	X	X	CT99QX851	
395C	GASKET,RING 12" (DISCHARGE)	X	CT99QX951	->	
HOT GAS BYPASS					
396A	HOT GAS BYPASS VALVE 3"	19EX34000901	X	19EX34000901	
396B	HOT GAS BYPASS VALVE 4"	X	19EX44001001	->	
397A	GASKET,RING 3" (HGBP VLV)	(2) CT99QX501	X	(2) CT99QX501	
397B	GASKET,RING 4" (HGBP VLV)	X	(2) CT99QX601	->	
398	RELAY HGBP (POWER BOX)	HN61KQ120	->	->	
PUMPDOWN ASSEMBLY					
399A	PUMPDOWN ASSEMBLY (208-3-60)	19EA42658	->	->	
399B	PUMPDOWN ASSEMBLY (230-3-60)	19EA44658	->	->	
399C	PUMPDOWN ASSEMBLY (400/460-3-50/60)	19EA46658	->	->	
399D	PUMPDOWN ASSEMBLY (575-3-60)	19EA47658	->	->	
INCLUDES: ITEMS 400 - 439					
400A	COMPRESSOR ASSEMBLY (208/230-3-60)	06DM80866C3250	->	->	
400B	COMPRESSOR ASSEMBLY (460-3-60)	06DM80866C3650	->	->	
400C	COMPRESSOR ASSEMBLY (575-3-60)	06DM80866C3150	->	->	
INCLUDES: ITEMS 401 - 418					
401	GASKET SET	6D43172	->	->	
402	VALVE PLATE PACKAGE	06DA660038	->	->	
INCLUDES: ITEMS 403 - 408					
403	DISCHARGE VALVE	(2) 6D751062	(2) ->	(2) ->	
404	DISCH VALVE STOP	(2) 6D751072	(2) ->	(2) ->	
405	SUCTION VALVE SPRING	(2) 6D401021	(2) ->	(2) ->	
406	SUCTION VALVE	(2) NSS	(2) ->	(2) ->	
407	GASKET,VALVE PLATE	6D401073	->	->	
408	GASKET,CYL HEAD	05GA502213	->	->	
409	PISTON & PIN PACKAGE	(2) 6D68962	(2) ->	(2) ->	
410	ECCENTRIC STRAP	(2) 5D401372	(2) ->	(2) ->	
411	COMPRESSION RING	(2) AU50CP355	(2) ->	(2) ->	

PARTS LIST CATALOG

PARTS LIST PAGE: 010

CATALOG NO.: RCD-3519-047 REV.
SUPERSEDES: 3519-035 & 038 REV.

NOTE: SEE "CATALOG NOTES" ON LAST PAGE FOR EXPLANATION OF SYMBOLISM.

19EX



HERMETIC CENTRIFUGAL LIQUID CHILLER R134A

SIZE: 003 005
SERIES: 0

ITM	PART DESCRIPTION	19EX		19EX.		19EX..	
		FA4 COMPR.		FA5 COMPR.		02EX COMPR.	
PUMPDOWN ASSEMBLY							
412	VALVE PLATE ASSEMBLY		06DA660120		->		->
413	BEARING HEAD ASSEMBLY		06DA660060		->		->
414	OIL FILTER ASSEMBLY		6D40103		->		->
415	COMP SUCT SERVICE VALVE PKG		06DA660060		->		->
416	GASKET		6D231421		->		->
417	COMP DISCH SERVICE VALVE PKG		5F20660002		->		->
418	GASKET		6D231421		->		->
419	CONDENSER ASSEMBLY		6D21104060		->		->
	INCLUDES: ITEMS 420 - 421						
420	TRY COCK ASSY	(2)	7F0132	(2)	->	(2)	->
421	LIQUID VALVE		EP12BH211		->		->
422	COMPR OVERLOAD(30A)(FURNAS-MAN RESET		HN68JK003		->		->
423A	OVERLOAD HEATER (208V)	(3)	HN71JC050	(3)	->	(3)	->
423B	OVERLOAD HEATER (230V)	(3)	HN71JC049	(3)	->	(3)	->
423C	OVERLOAD HEATER (460V)	(3)	HN71JC036	(3)	->	(3)	->
423D	OVERLOAD HEATER (575V)	(3)	HN71JC031	(3)	->	(3)	->
424	CONTROL BOX COVER		07DA500002		->		->
425	CONTROL BOX ASSEMBLY		19EA41588		->		->
	INCLUDES: ITEMS 426 - 432						
426	TERMINAL BLOCK		HY84EG017		->		->
427	CONTACTOR		HN53CD115		->		->
428	PRESSURESTAT		HK01UA181		->		->
429	TOGGLE SWITCH		HR53ZA035		->		->
430	FUSE HOLDER		HKP-HH		->		->
431	FUSE (3 AMP)		AGC3		->		->
432	GROMMET		KA56XM040		->		->
433	SAFETY HEAD		EB51LP121		->		->
434	OIL SEPERATOR		KH31LZ008		->		->
435	GASKET,OIL SEPERATOR		KY31LY003LA		->		->
436	VALVE,DIAPHRAGM (1/2" ODS)	(4)	5164	(4)	->	(4)	->
437	VALVE,ANGLE		EP23LA103		->		->
438	GASKET,CAPSCREW 5/16"	(4)	AU51YA003	(4)	->	(4)	->
439	GASKET,FLARE 1/2"		DD24FA151		->		->
MISCELLANEOUS GROUP							
440 N	CARRIER LOGO (DECAL)	(2)	19XB05010301	(2)	->	(2)	->
441 N	SHEAR-FLEX PAD (16 X 22 NEOPRENE)	(4)	19XB55003201	(4)	->	(4)	->
442 N	PAINT (SPRAY CAN) (GRAY)		PH23GH022		->		->
443 N	PAINT (GALLON CAN)(GRAY)		PH23GH022G		->		->
444 N	STARTER MANAGEMENT MODULE		CES0121319-01		->		->

PARTS LIST CATALOG

PARTS LIST PAGE: 011

CATALOG NO. : RCD-3519-047 REV.
SUPERSEDES : 3519-035 & 038 REV.

NOTE: SEE "CATALOG NOTES" ON LAST PAGE FOR EXPLANATION OF SYMBOLISM.



ORDERING INSTRUCTION

1. All orders must include the complete model number and the serial number of the unit on which the parts are to be used, and the part number and description of each part.
2. Dealers should forward orders to their distributor.

GENERAL NOTES

1. This catalog contains those items most commonly required for replacement purposes. If parts other than those cataloged are required, please provide the complete model number and serial number of the unit which the parts are to be used and a complete description including references to items which are cataloged.
2. Casing parts and panels are not normally stocked, but are available upon request. Requests for casing parts and panels for units no longer in production can be quoted through Customer Service, please contact your Customer Service Representative
3. Complete "Accessory Packages" of "F.I.O.P.'s" (Factory-Installed Option Plan) are not normally stocked or supplied by the Replacement Components Division. (Refer to Master Price Pages and order from your normal source or finished goods.)

Accessory packages and F.I.O.P.'s are listed in this catalog only for reference and to assist in the selection and ordering of replacement components.

4. The replacement parts listed in this catalog are RCD "Factory-Authorized Parts" and, as a result of "standardization", may not be identical to the original part furnished on the equipment

CATALOG NOTES

1. The part number in the salespackage column indicates the part number required for that model, size, series, and/or voltage.
2. an arrow → in the salespackage column indicates that the model, size, series, and/or voltage uses the same part number as the number shown to the left.
3. An X in the salespackage column indicates that the part is not used on that model, size, series, and/or voltage.
4. A number in parenthesis before the part number indicates the quantity required for that model, size, and/or voltage. Part number only in the column indicates a quantity of one.
5. The notation "N" following the item number indicates that the item is not illustrated in the Graphic Catalog.

