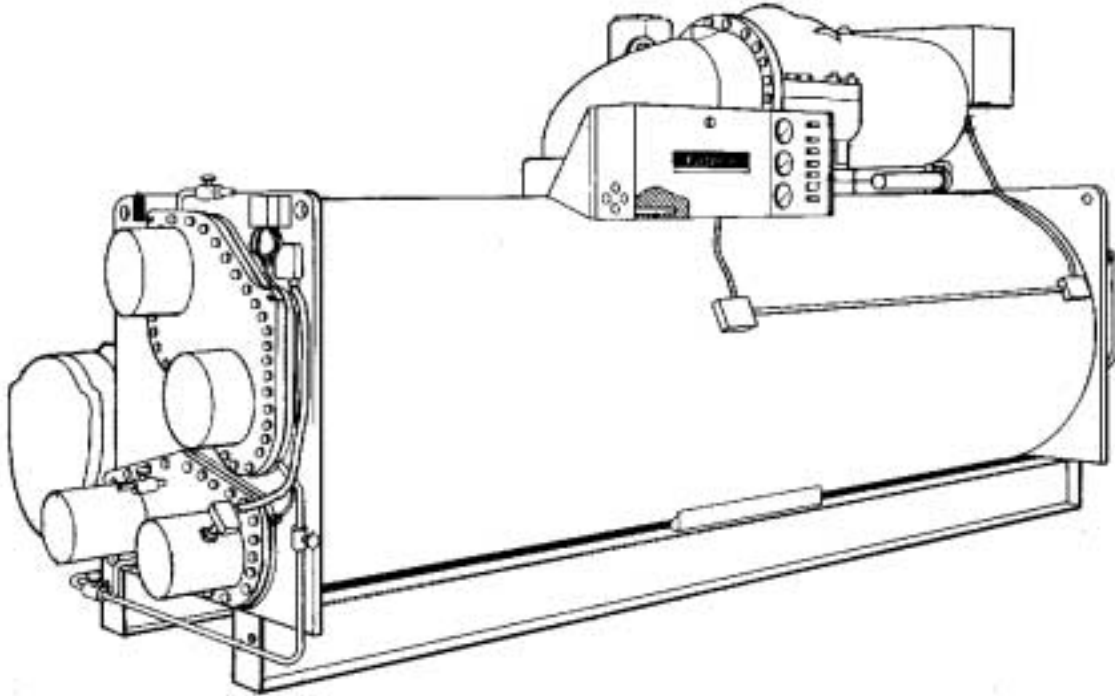


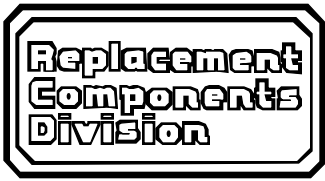
19EB MACHINE WITH FRAME 4 OR 5 COMPRESSOR SERVICE PARTS GUIDE



HOW TO USE THIS CATALOG

1. THIS CATALOG PRESENTS THE MOST COMMONLY USED SPECIFIED PARTS FOR THE STANDARD 19EB CENTRIFUGAL REFRIGERATION MACHINE AND IS NOT APPLICABLE TO ANY SPECIAL ORDER MACHINES. (CONTACT CARRIER WITH MACHINE SERIAL NUMBER FOR ANY SPECIAL ORDER UNIT PARTS.)
 2. OCCASIONALLY, DUE TO LIMITATIONS OF ILLUSTRATIONS USED, A PART MAY NOT BE ILLUSTRATED. THESE PARTS ARE IDENTIFIED BY "N" IN THE COLUMN NEXT TO THE ITEM NUMBER.
 3. THE FOLLOWING PARTS ARE NOT LISTED IN THIS CATALOG:
 - A. IMPELLERS, SHROUDS, DIFFUSERS
 - B. COMPRESSOR MOTOR (ROTOR & STATOR)
 - C. EVAPORATOR TUBE PART NUMBERS
 - D. CONDENSER TUBE PART NUMBERS
- IF ANY OF THESE PARTS ARE REQUIRED, CONTACT YOUR CARRIER REPRESENTATIVE WITH THE MODEL AND SERIAL NUMBER OF YOUR MACHINE.**
4. POSITIVE IDENTIFICATION OF YOUR MACHINE TO PROPERLY SELECT PARTS MAY BE DONE BY REFERRING TO THE MACHINE NAME PLATE. REFER TO PAGE #2.
 5. ITEM NOTES ARE GENERALLY ASSOCIATED WITH THE PART NUMBER DIRECTLY ABOVE.





HERMETIC CENTRIFUGAL LIQUID CHILLER

19EB

SIZE: 004 - 005

MOTOR CODE POSITION 9 & 10	Carrier Machinery and Systems Division			
COMPRESSOR CODE POSITION 7 & 8	HERMETIC CENTRIFUGAL WATER CHILLER			
UNISHELL CODE POSITION 5 & 6	MODEL 19EB9157DK	REFRIGERANT	2000 LBS	kg
	SERIAL NO. 783227451	TEST PRESS.	231 PSI	kPa
UNISHELL SIZE	COMPONENT	SIZE	SERIAL NO.	DESIGN PRESS.
	COMPRESSOR	19EB5457DK	102576	185 PSI kPa
	UNISHELL	19EB51	202592	EVAP. WATER PRESS. PSI kPa
	COND. WATER PRESS.	PSI	kPa	
	COOLER		COMPRESSOR MOTOR DATA	
	CONDENSER		VOLTS/PHASE/HERTZ 460/3/60 AC	
	ECONOMIZER	19EB51	302593	RL AMPS 68 LR AMPS D381
	REFRIGERANT	R-12	CHARGED	OLT AMPS* LH AMPS
<p>SAFETY CODE CERTIFICATION</p> <p>THIS UNIT IS DESIGNED, CONSTRUCTED AND TESTED IN CONFORMANCE WITH THE "AMERICAN NATIONAL STANDARDS INSTITUTE" B9.1 SAFETY CODE FOR MECHANICAL REFRIGERATION.</p> <p>*THE COMPRESSOR MOTOR CONTROLLER AND OVERLOAD PROTECTION ARE NOT AN INTEGRAL PART OF THE MACHINE ASSEMBLY. SEE CARRIER SPECIFICATION Z-283.</p>				
MADE IN USA				

CODE POSITION		UNISHELL SIZE	CODE POSITION		COMPR. FRAME SIZE	IMPELLER SHROUD	CODE POSITION		COMPR. FRAME SIZE	IMPELLER SHROUD	MOTOR CODE		
#5	#6		#7	#8			#7	#8			POSITION	9	10
7	1	41	1	1	3	3	5	1	3	D	B	D-2	
	2	42		3				C			D-3		
	3	43		5				D			D-4		
	5	45		7				E			D-5		
	6	46		9				F			D-6		
	7	47		1				G			D-7		
	8	48		3				H			D-8		
8	1	51	2	3	4	4	6	3	5	D	J	D-9	
	2	52		5				K			D-10		
	3	53		7				L			D-11		
	5	55	9	M			D-12						
	7	57	1	N			D-13						
	9	59	3	P			D-14						
			5	Q			D-14.6						
			7										
			9										
		1	4	3	6	6	8	1	6	D			
		3		5				3					
		5		7				5					
		7		7				7					
		9		9				9					
		1		1				1					
		3		3				3					
		5		5				5					
		7		7				7					
		9		9				9					

Graphics Catalog

Catalog No: RCD-3519-056 (1/99)

Rev.

Supersedes: 19.011 & 551-915

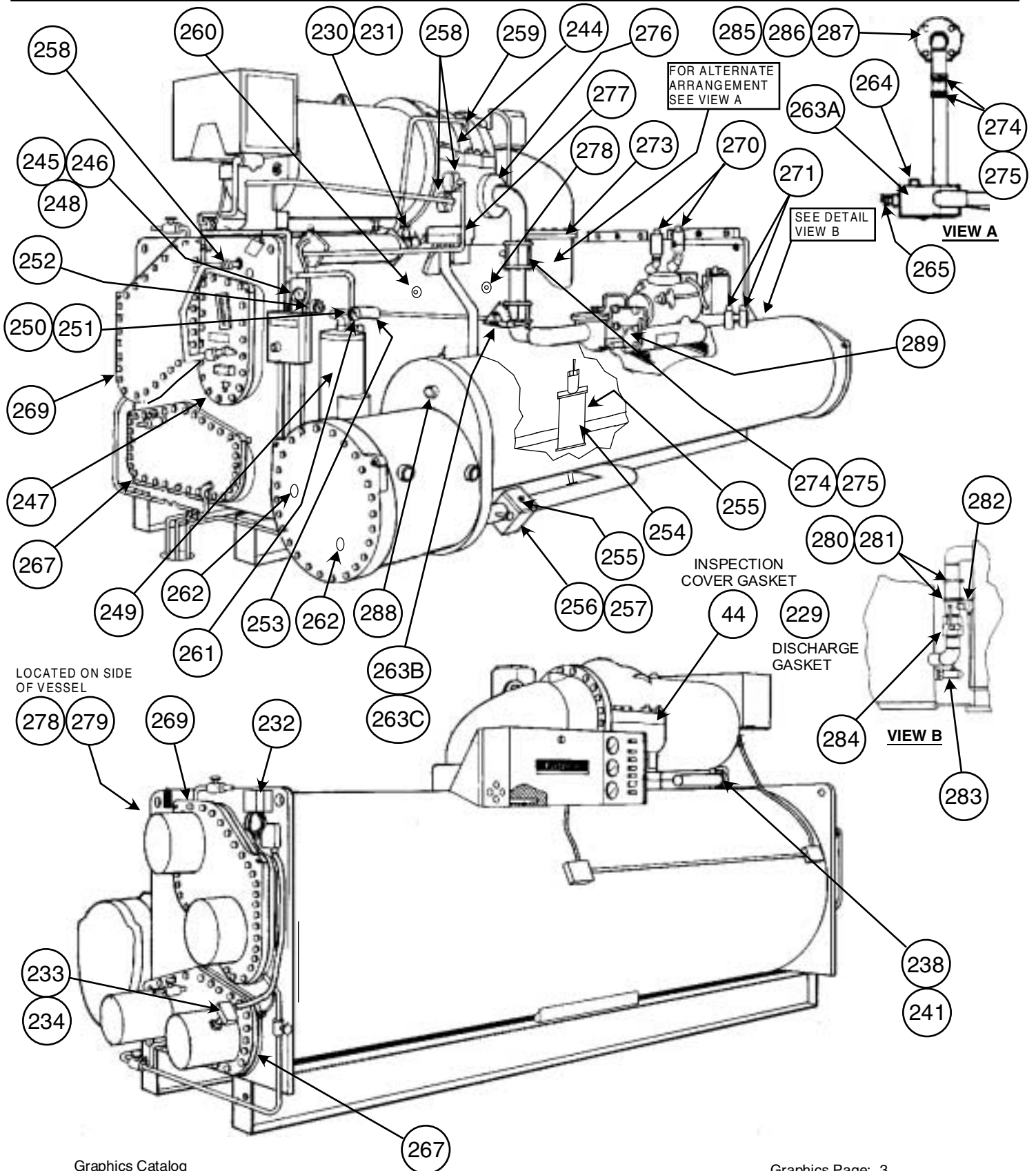
Rev.

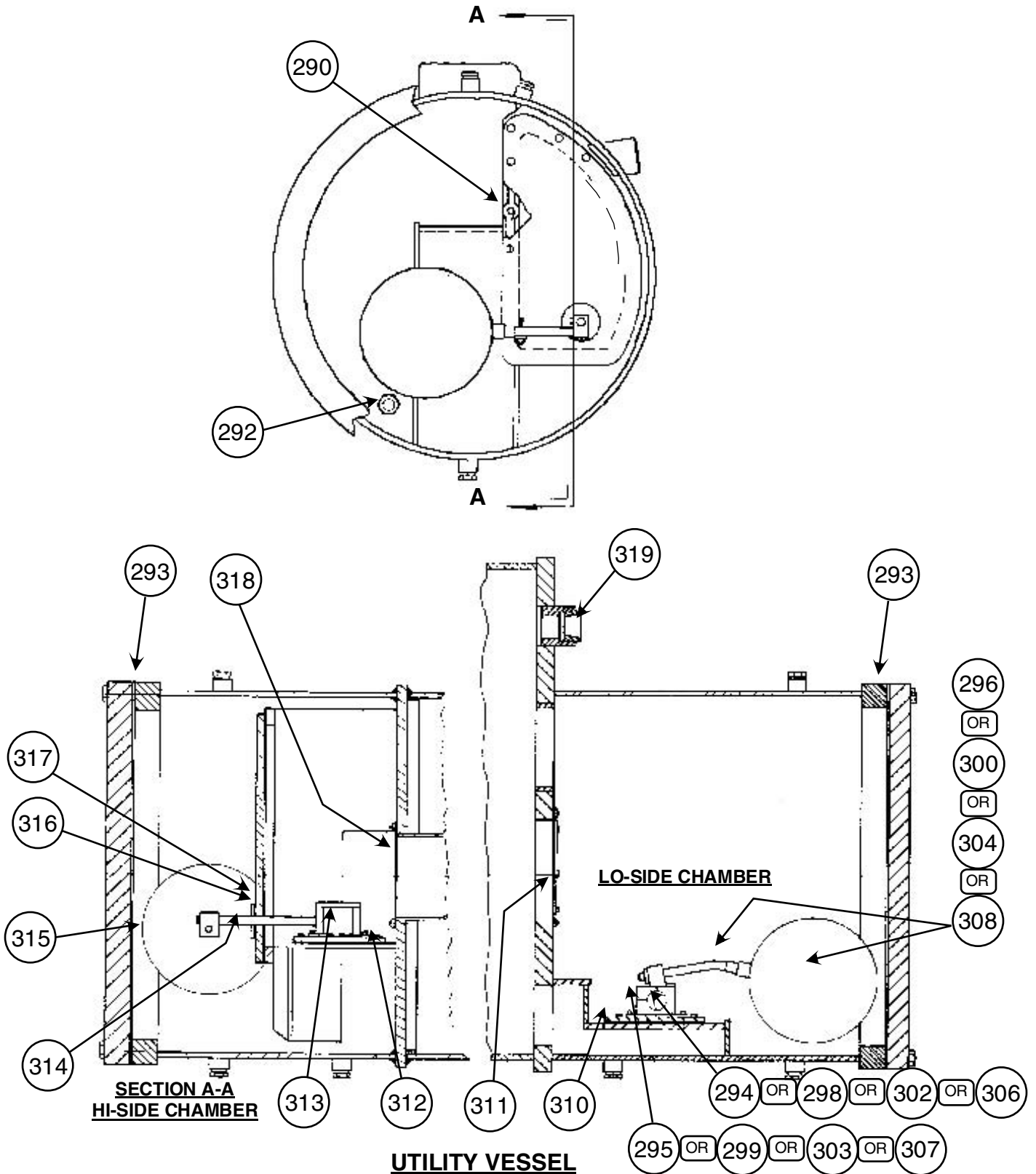
Note: See "Catalog Notes" on last page for explanation of symbolism.

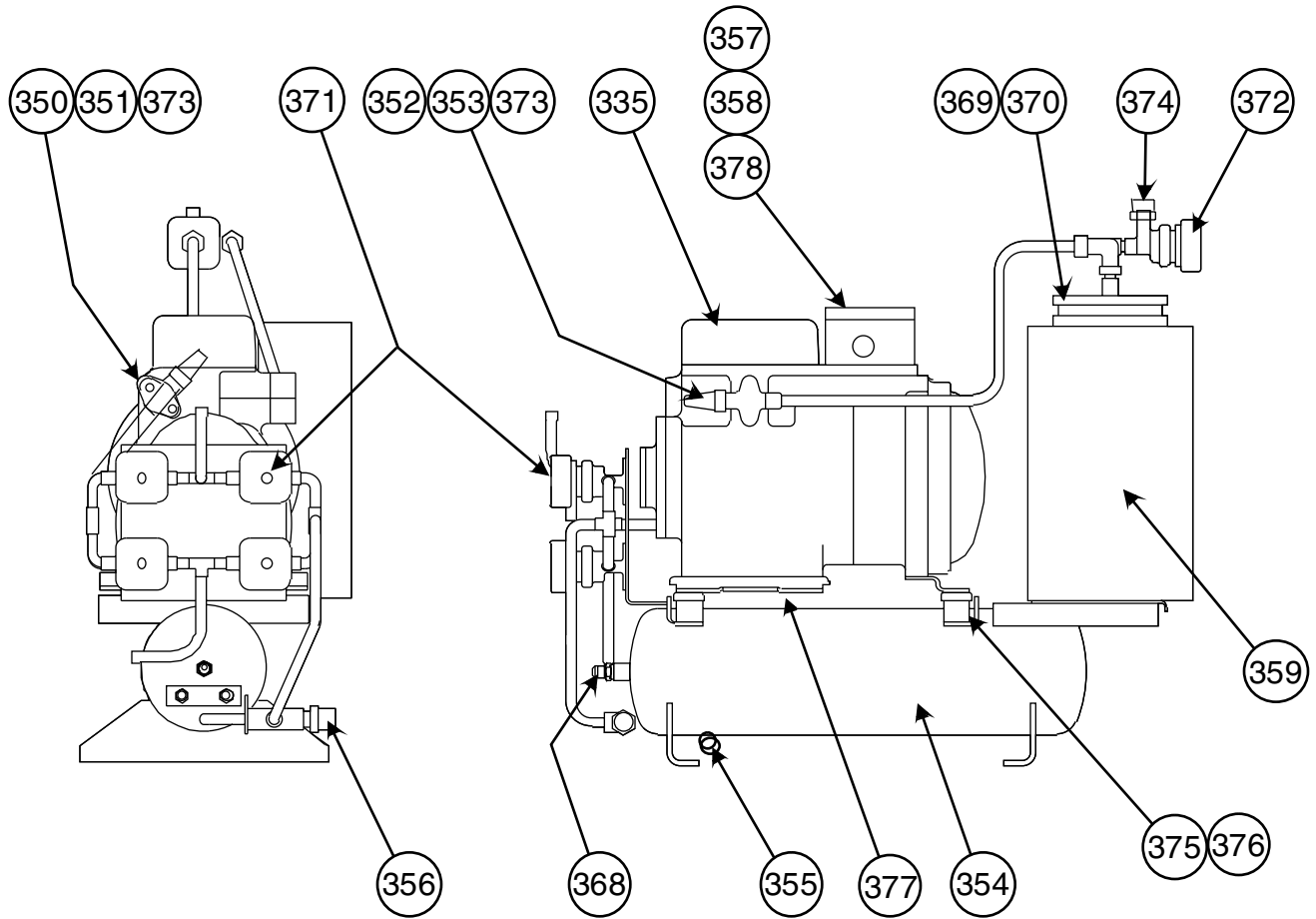
Graphics Page: 2
Litho in U.S.A.



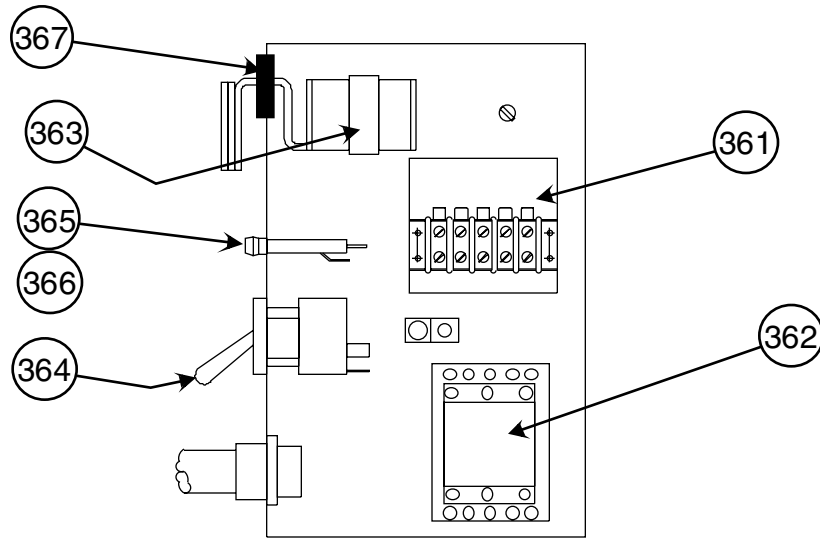
Electronic Graphics 19056002



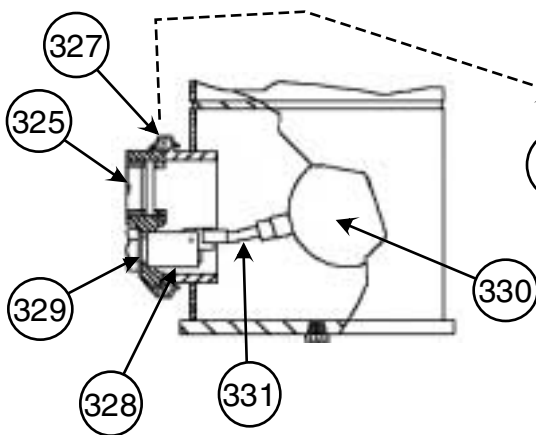




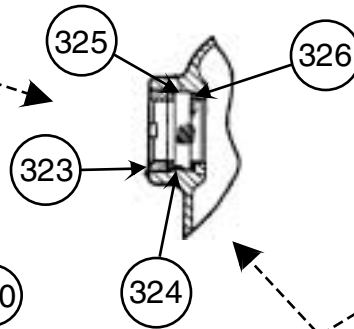
PUMPDOWN ASSEMBLY



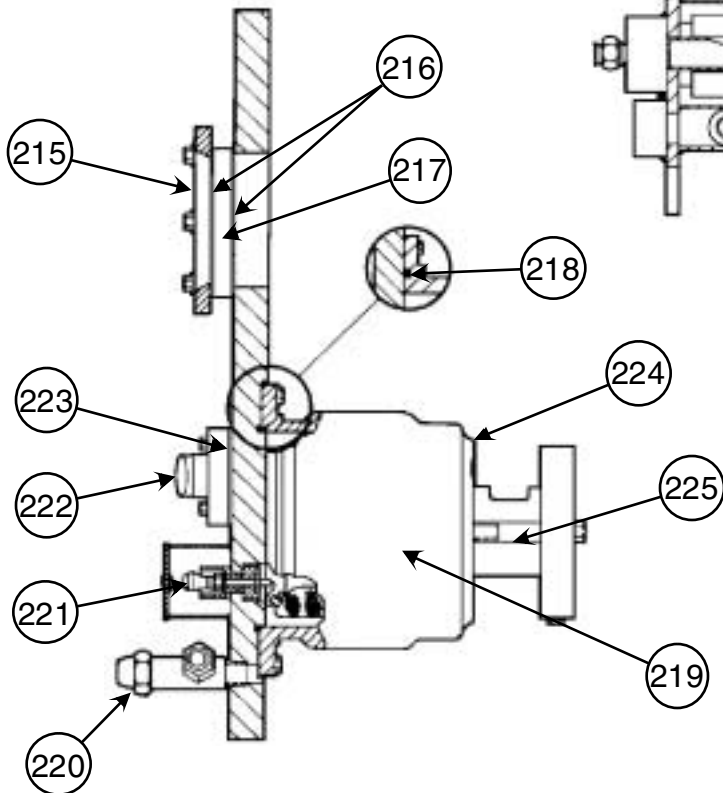
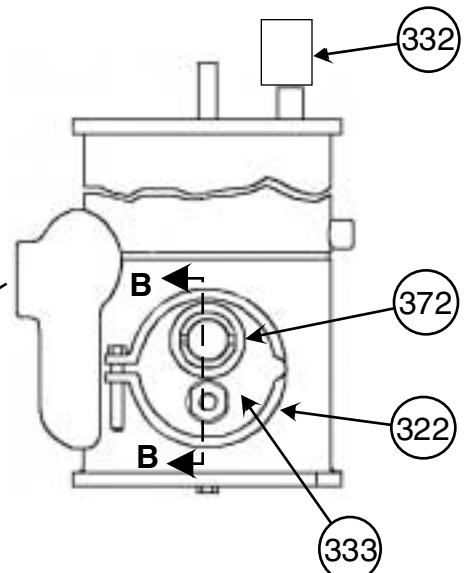
PUMPDOWN CONTROL BOX ASSEMBLY



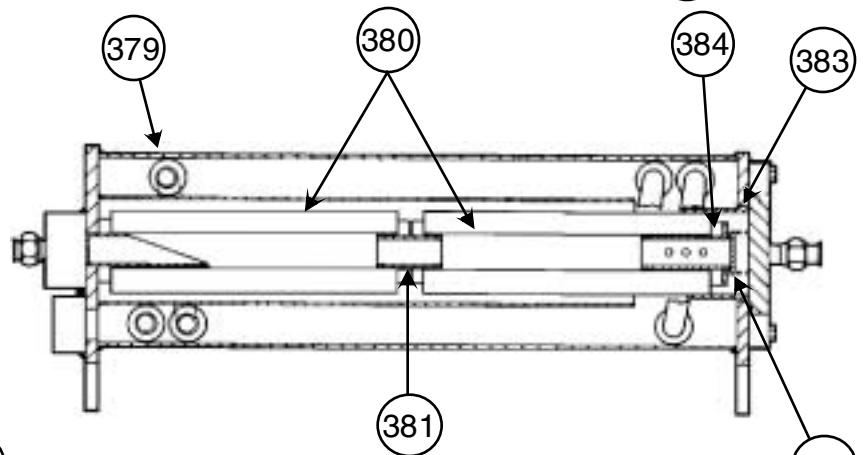
SECTION B-B



DEHYDRATOR

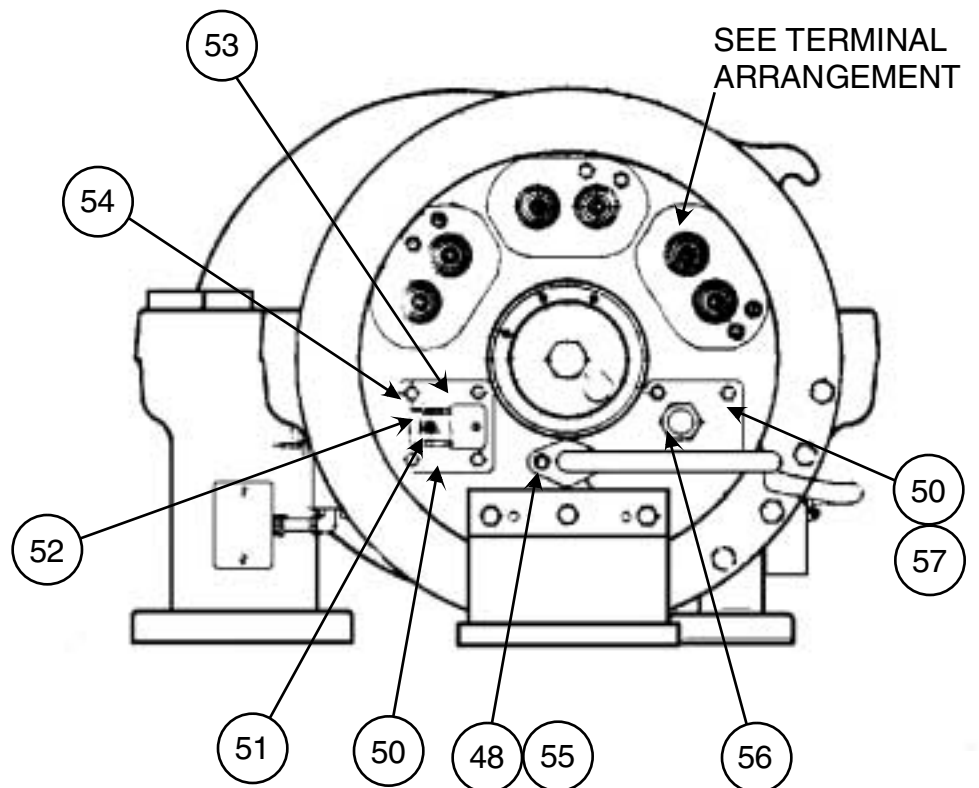
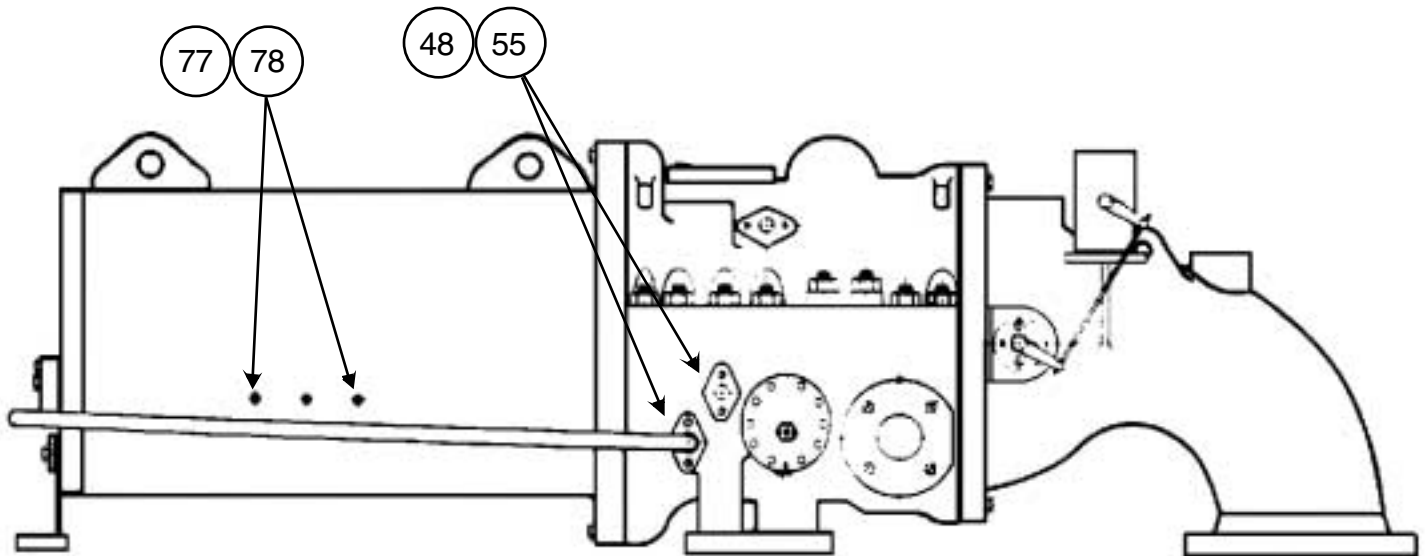


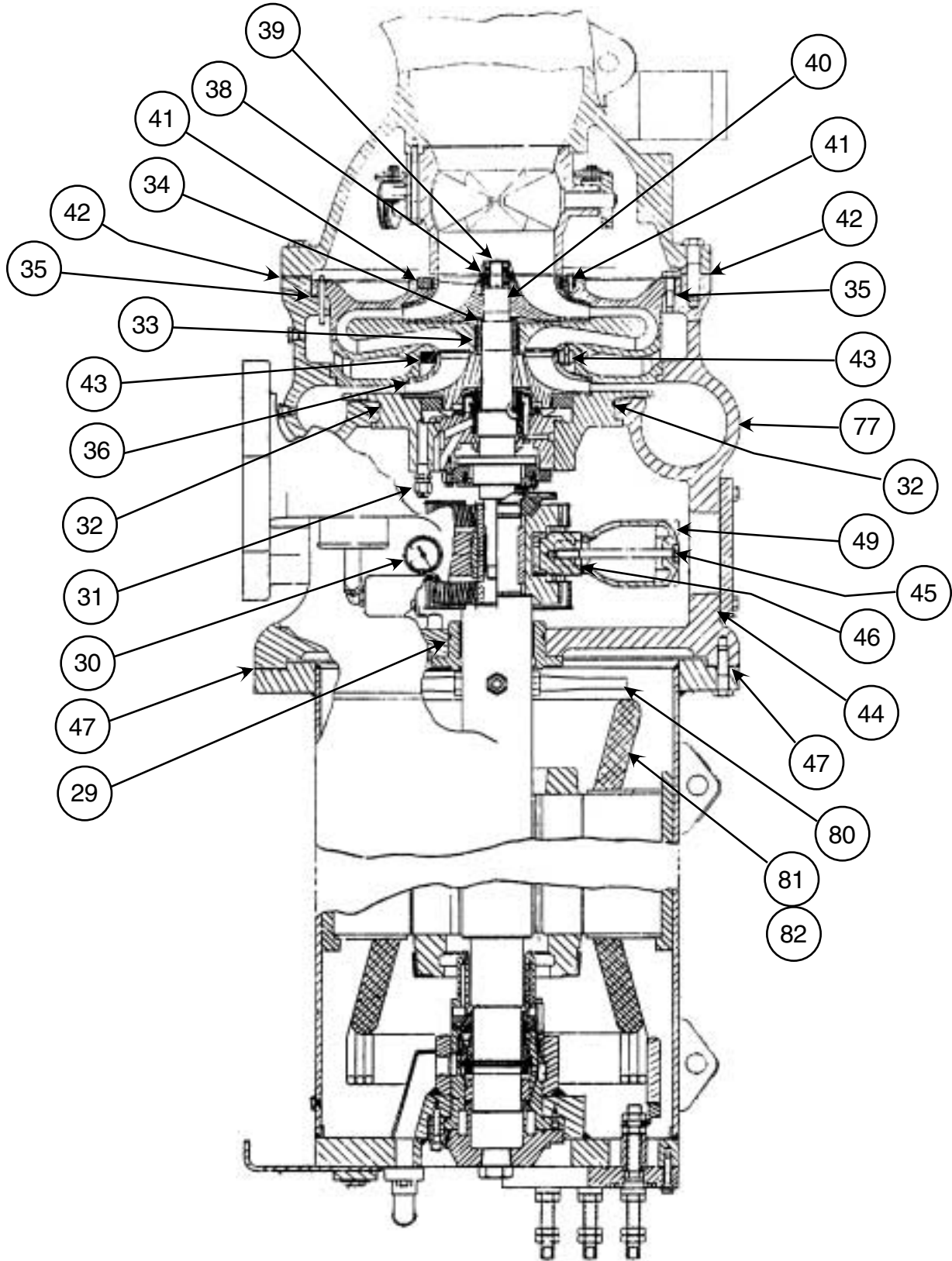
OIL RESERVOIR COVER ASSEMBLY

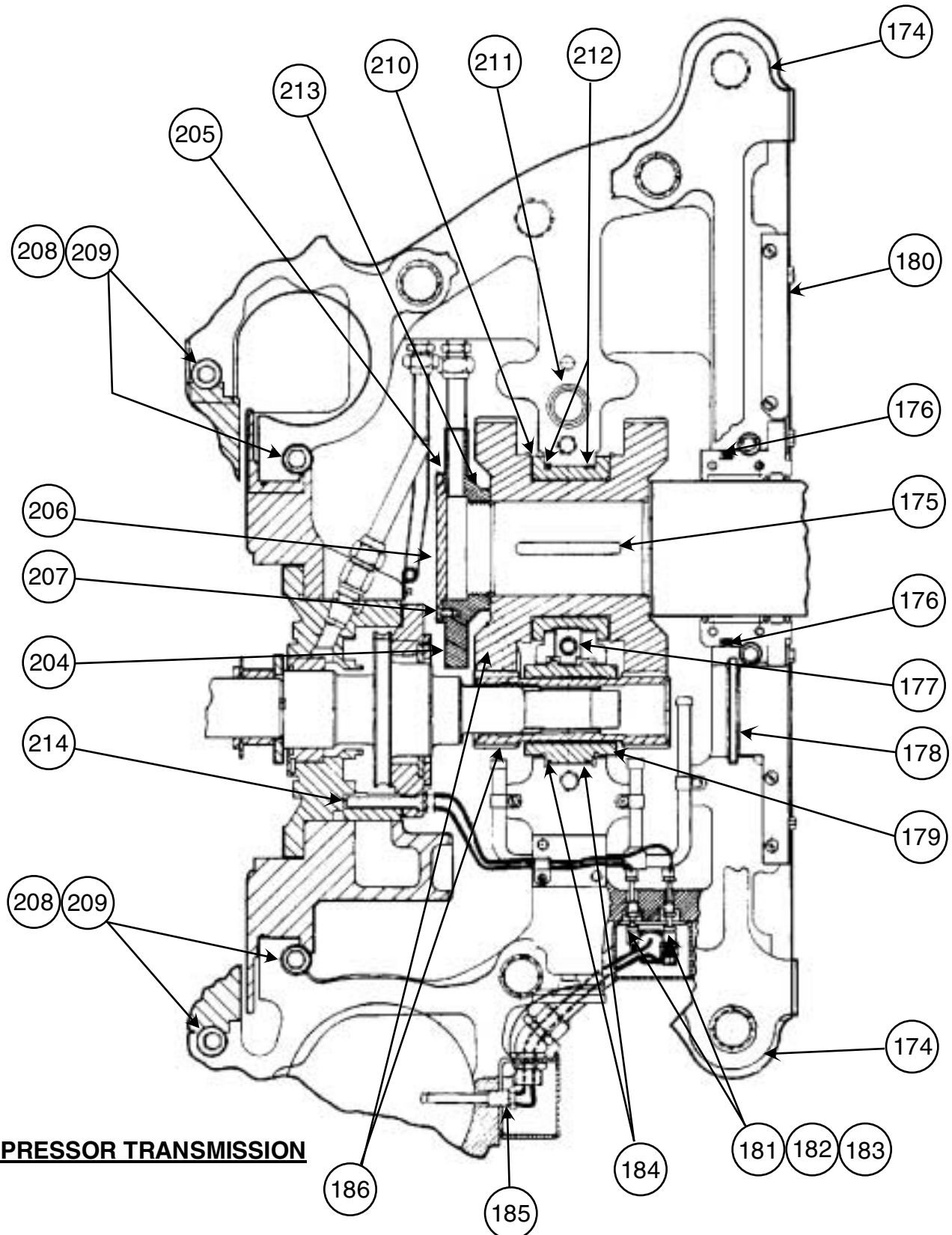


OIL COOLER FILTER ASSEMBLY



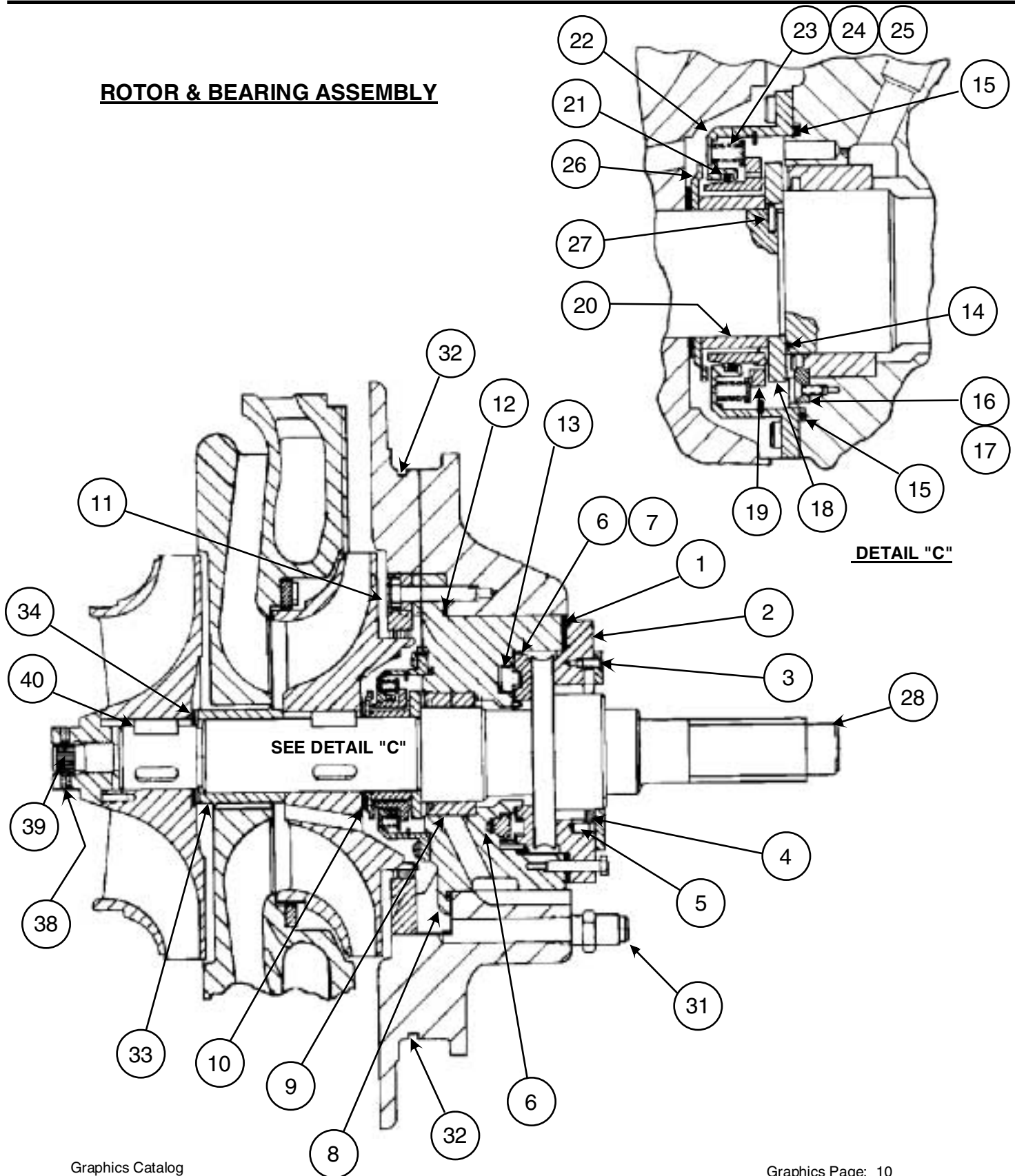


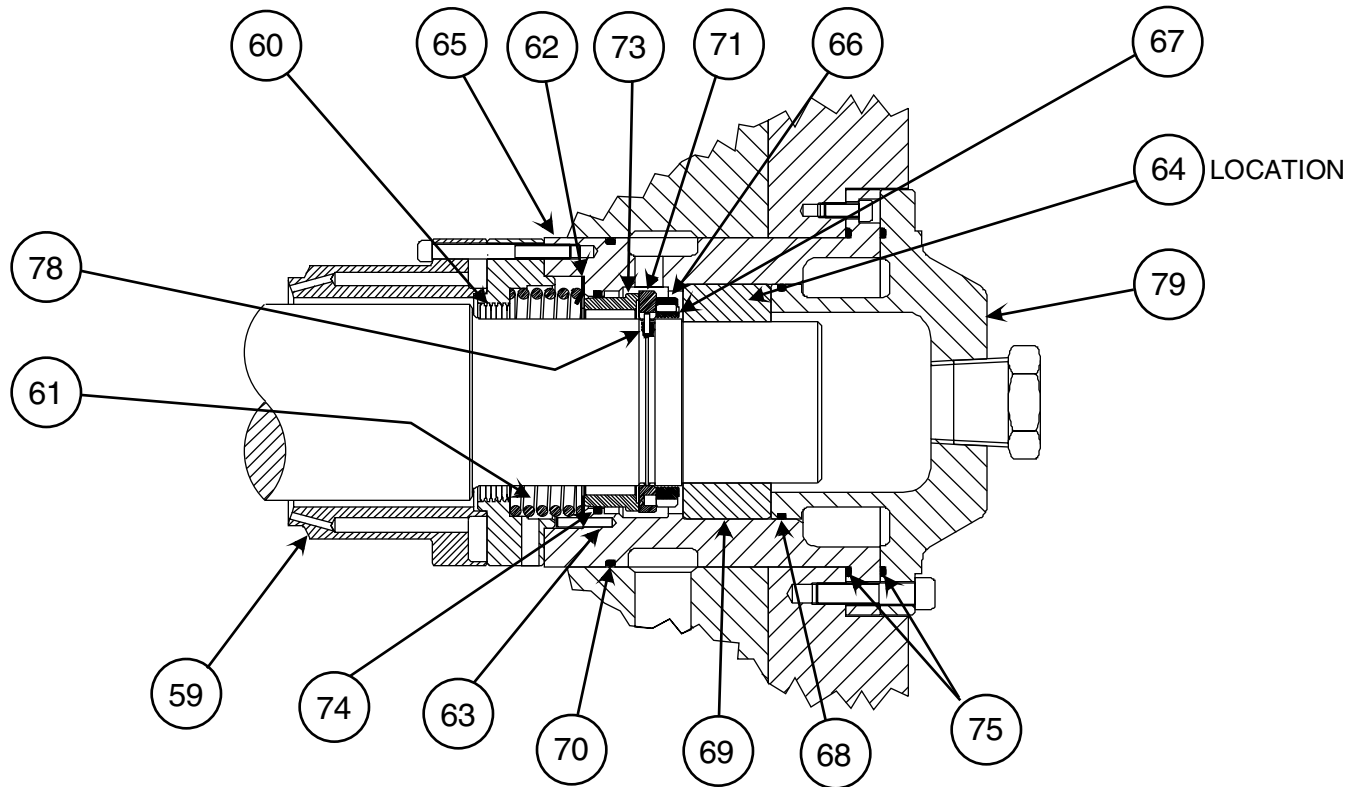




COMPRESSOR TRANSMISSION

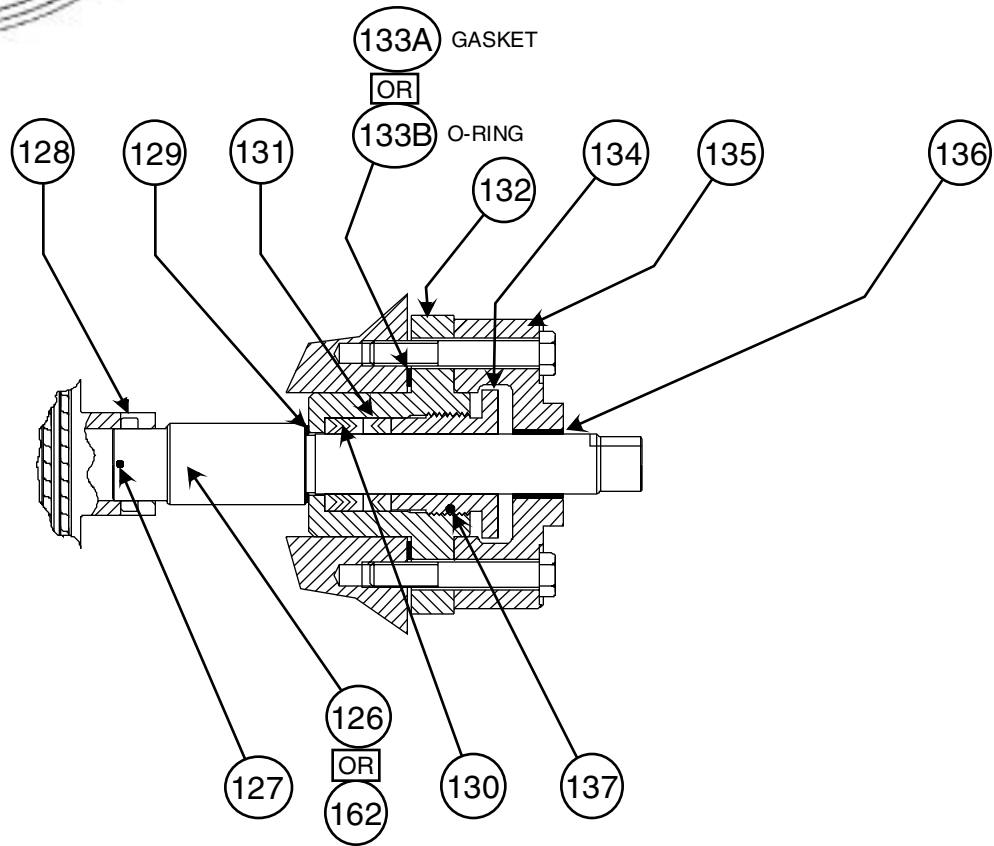
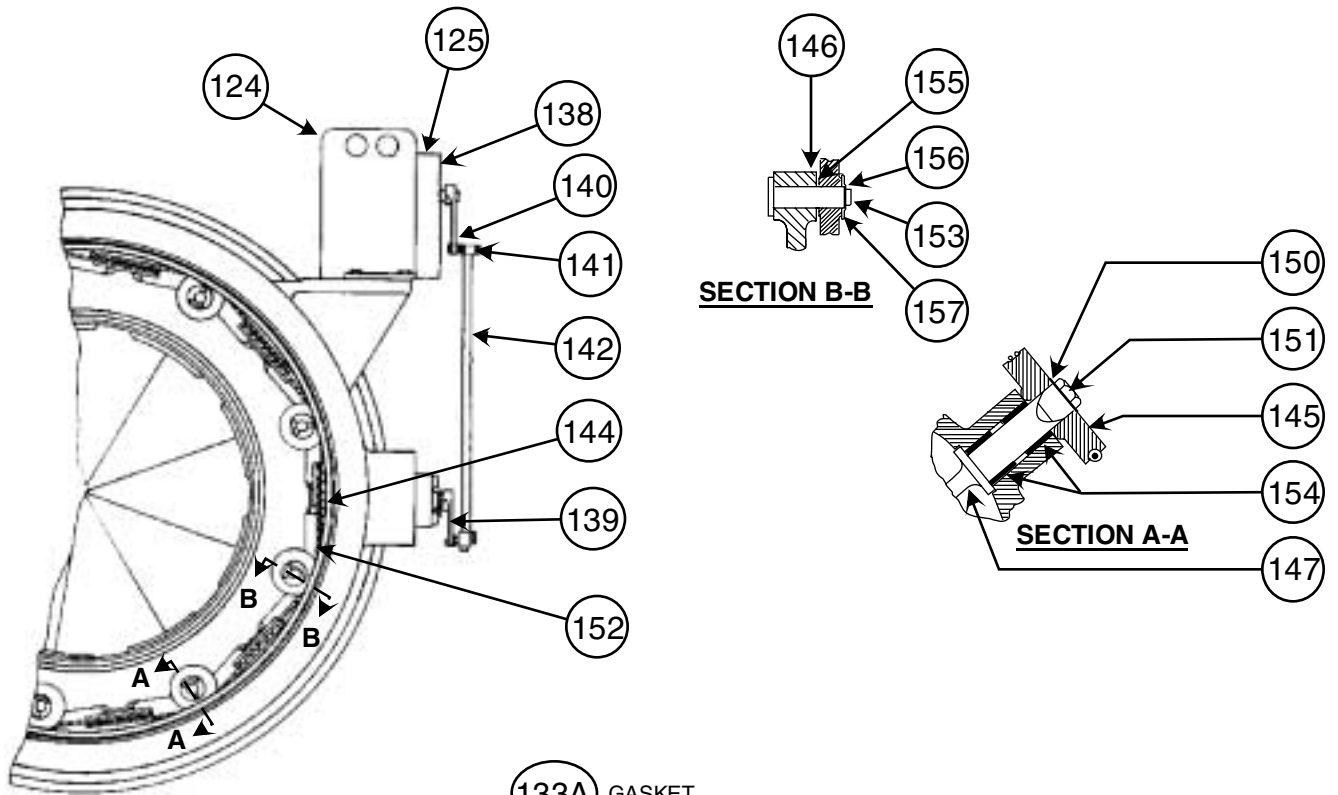
ROTOR & BEARING ASSEMBLY





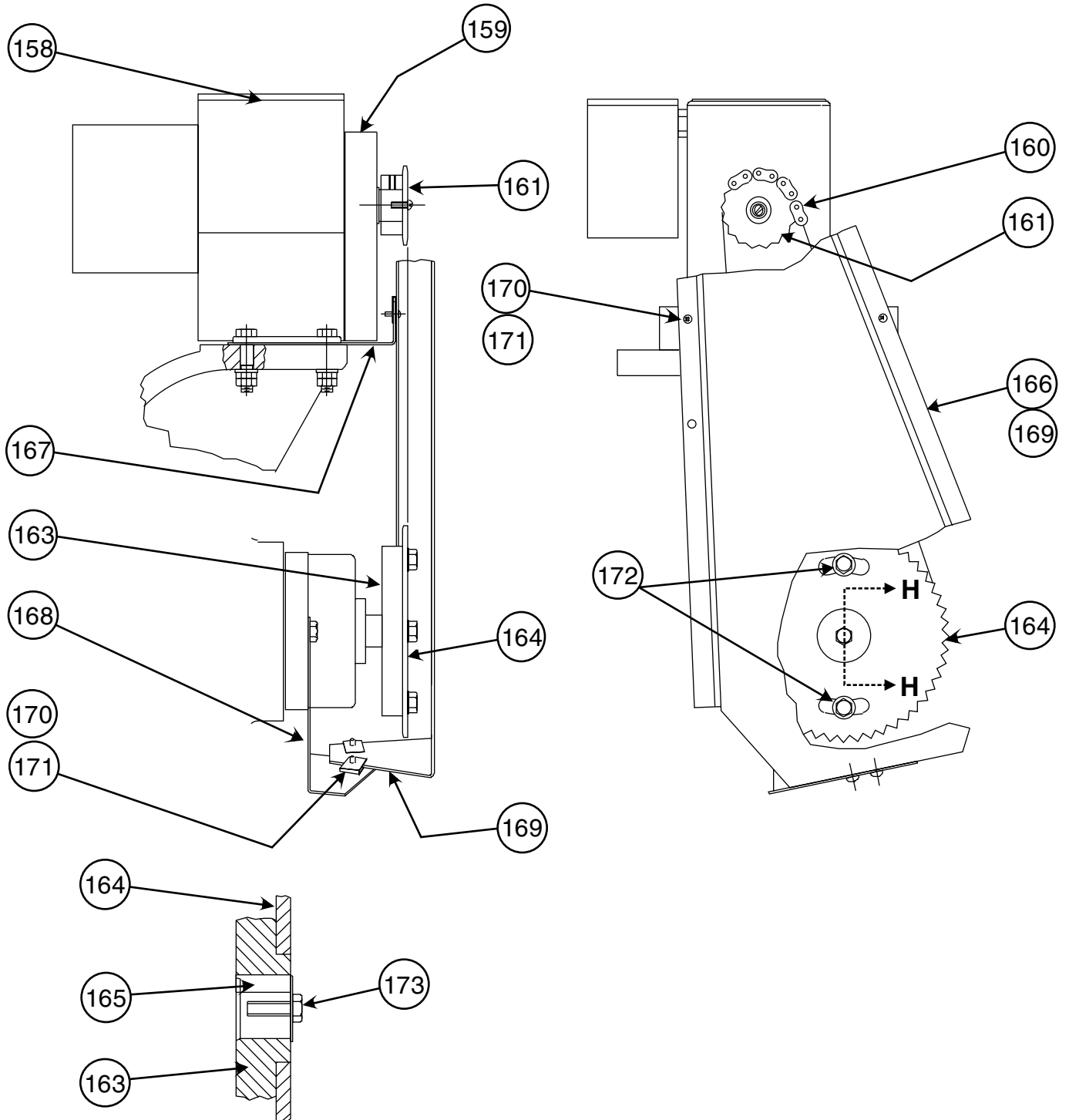
REAR BEARING ASSEMBLY
ITEM #58





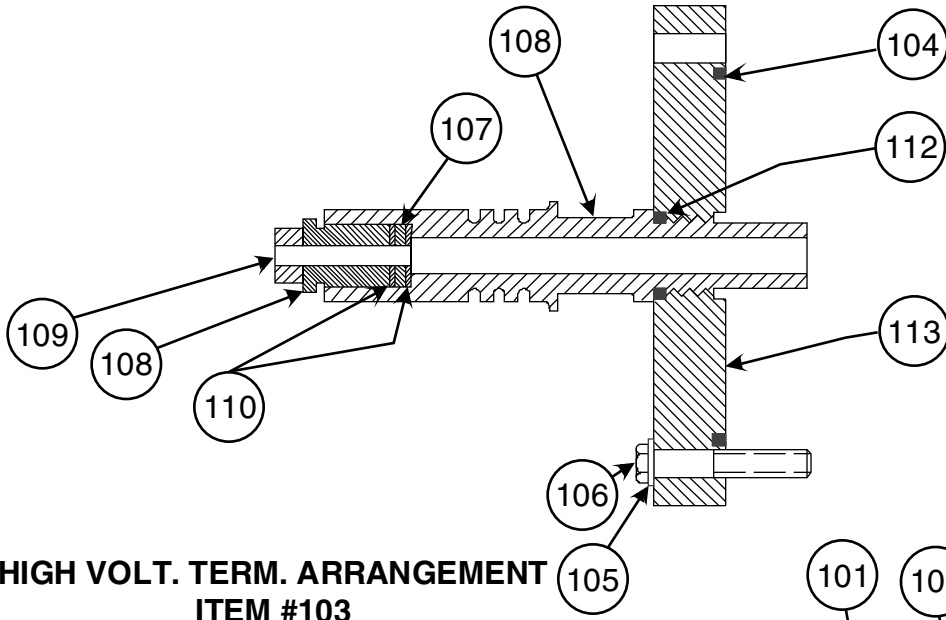
GUIDE VANE SHAFT & SEAL ASSEMBLY



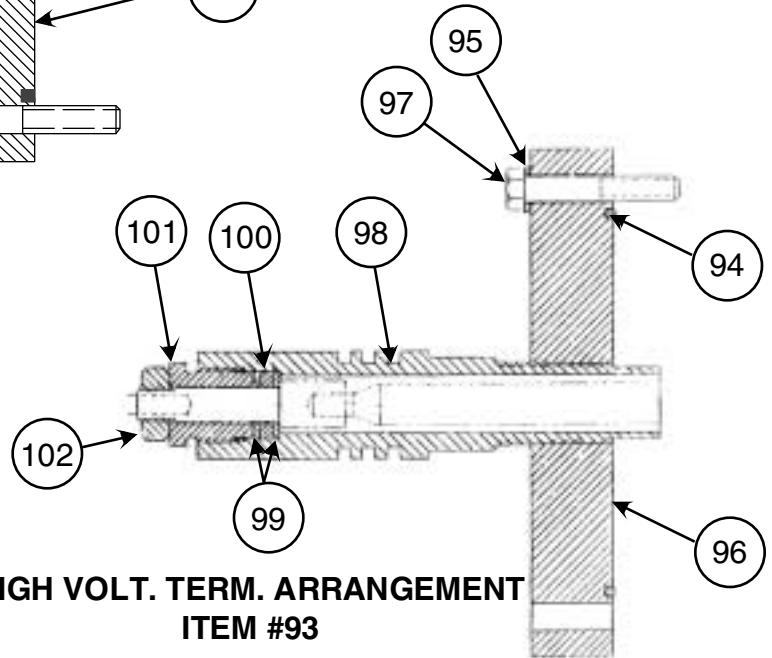


CHAIN DRIVE GUIDE VANE ASSEMBLY

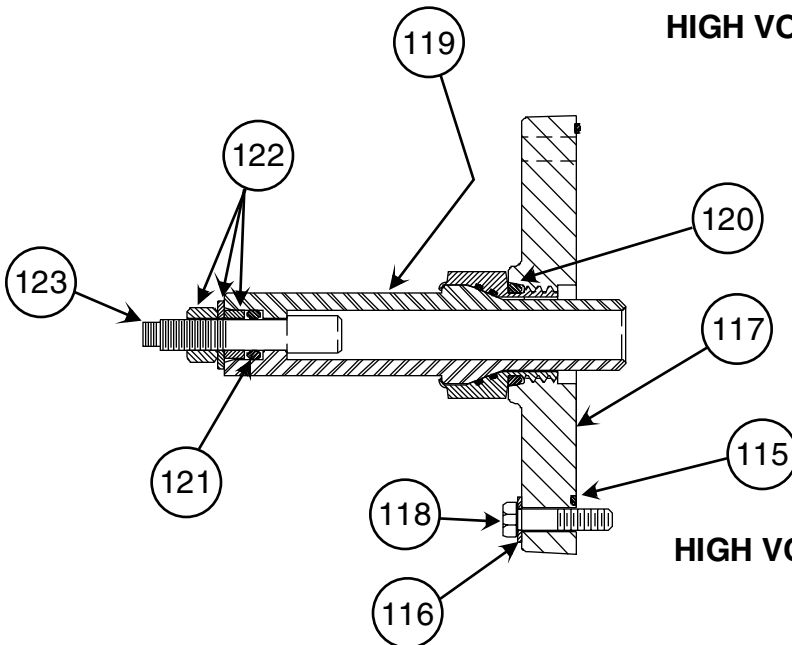




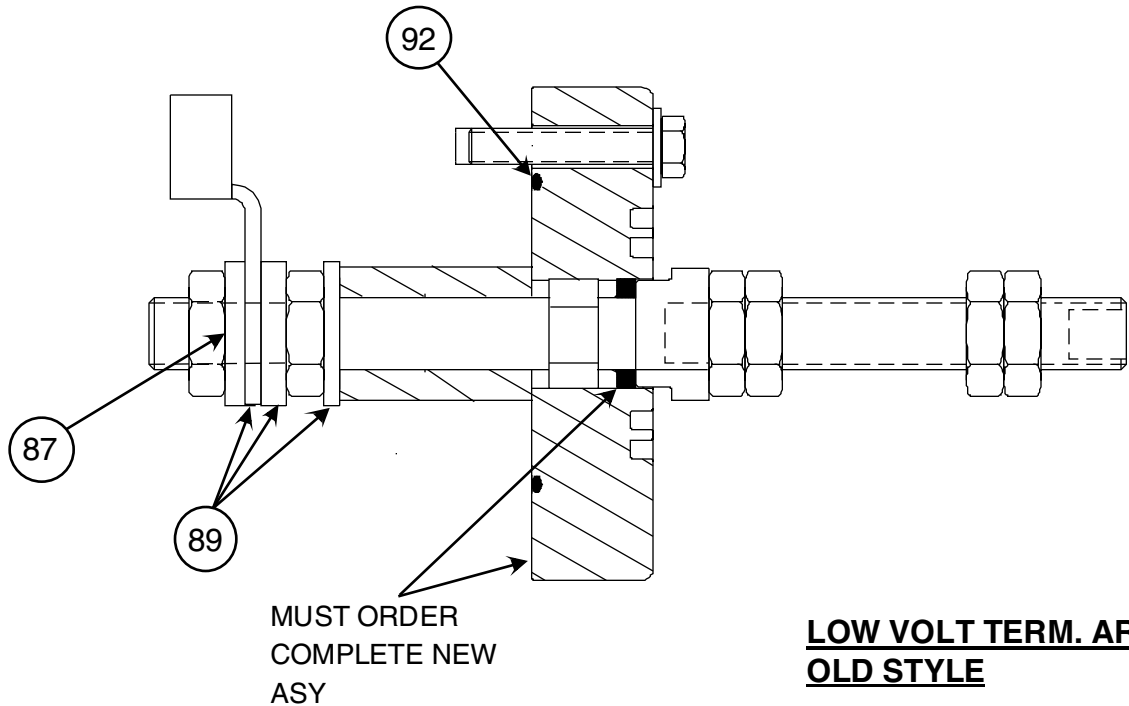
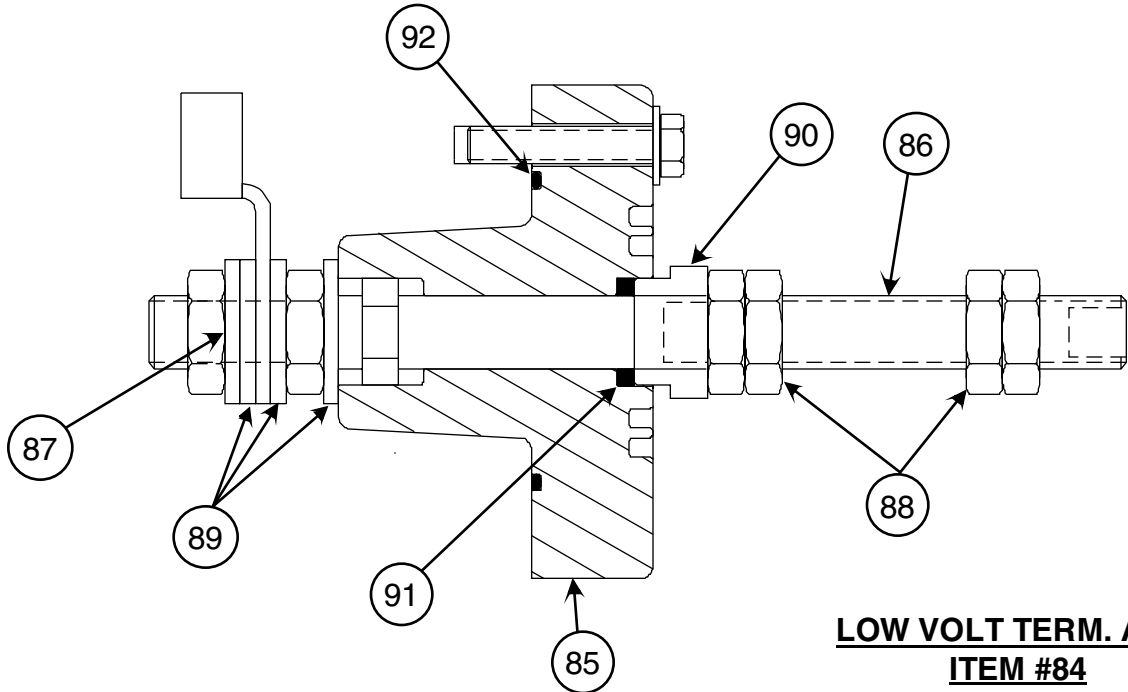
**HIGH VOLT. TERM. ARRANGEMENT
ITEM #103**

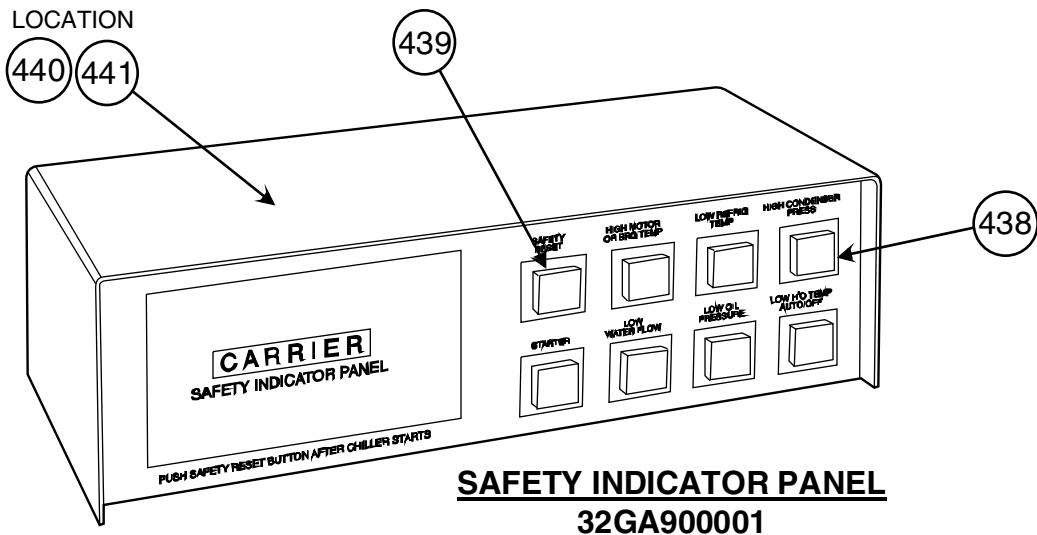
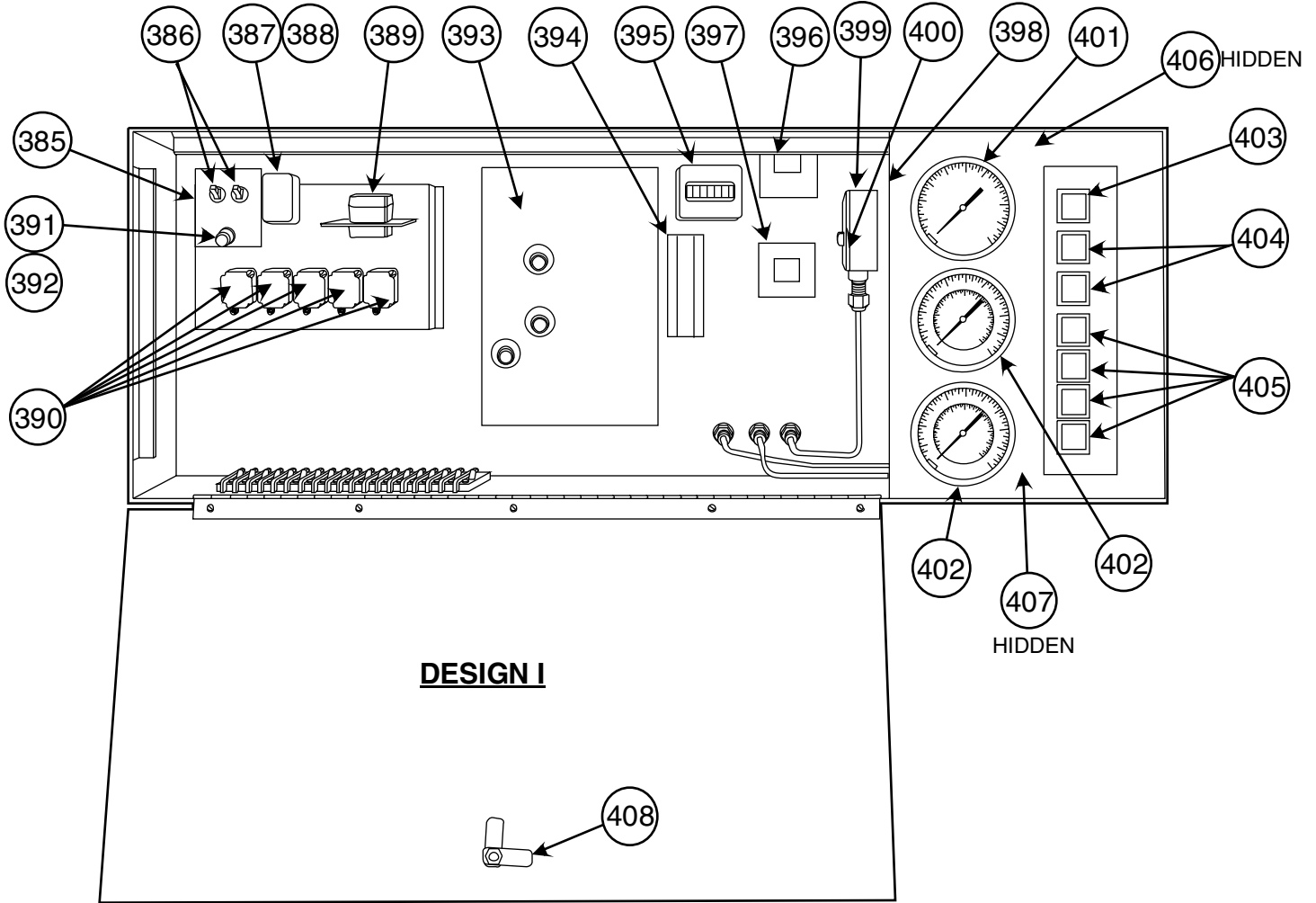


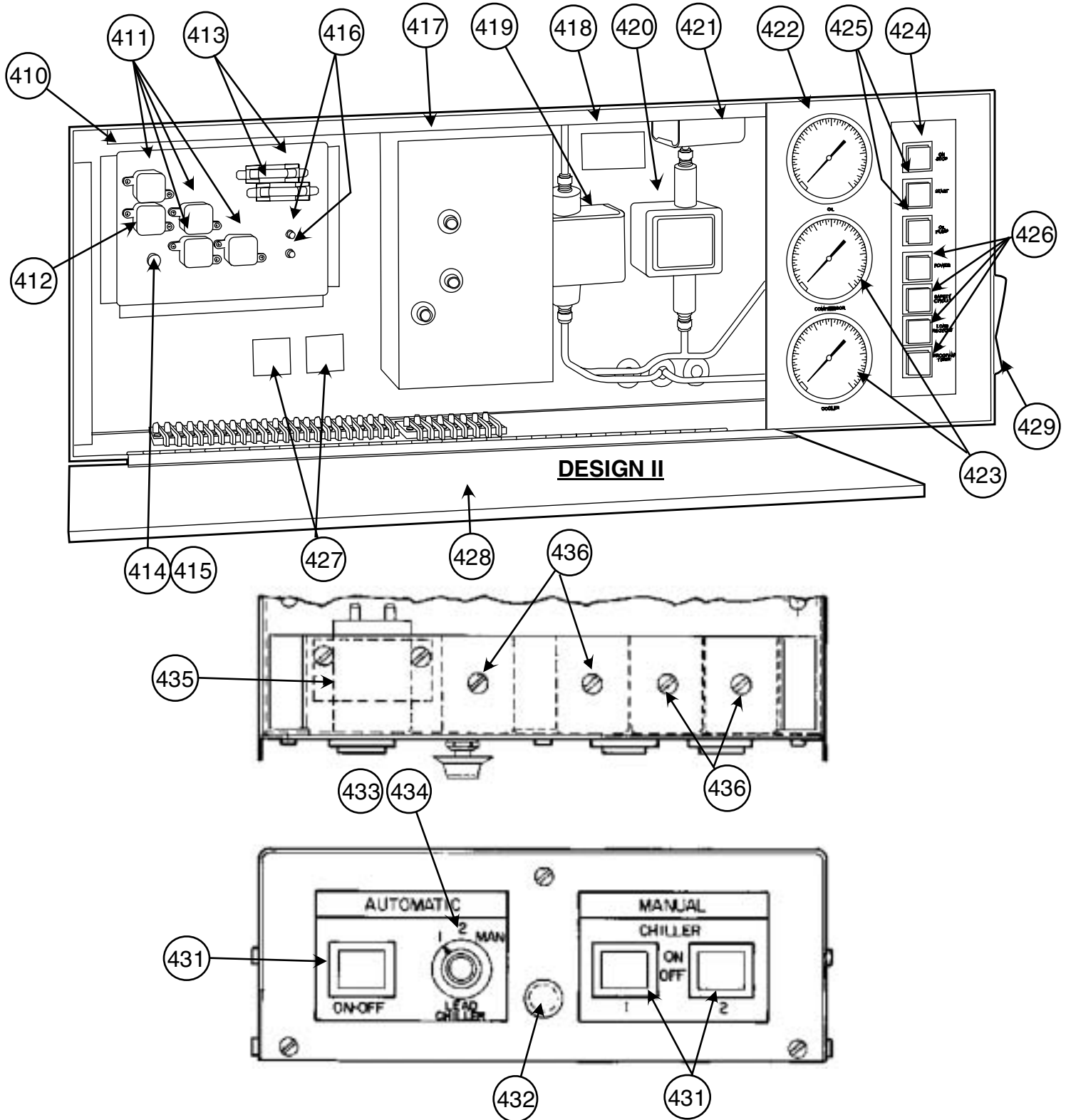
**HIGH VOLT. TERM. ARRANGEMENT
ITEM #93**



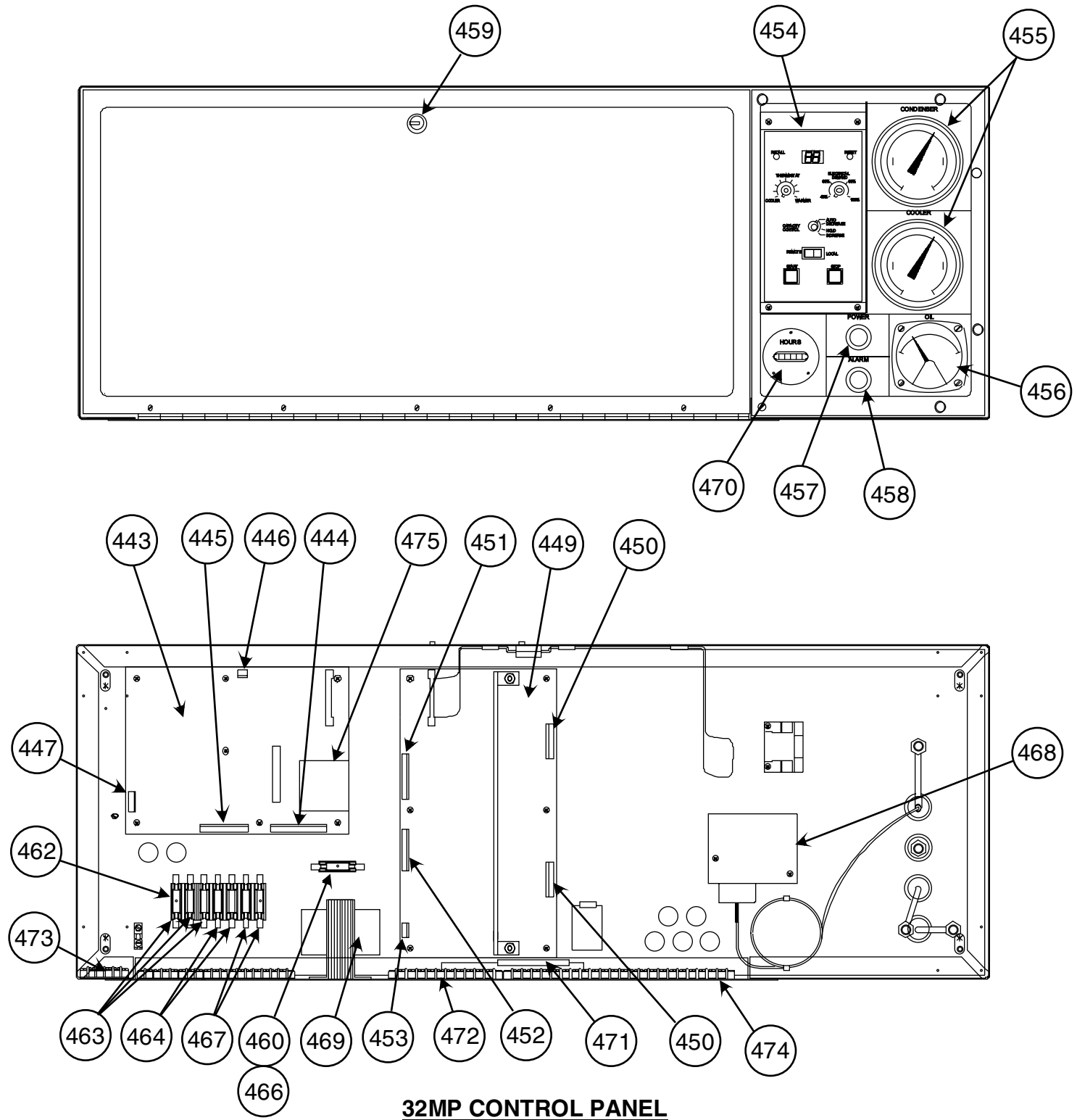
**HIGH VOLT. TERM. ARRANGEMENT
ITEM #114**







LEAD-LAG CONTROL ASSEMBLY
32SM90001





HERMETIC CENTRIFUGAL
CHILLER

19EB

SIZE: 004 005
SERIES: 0

ITM	PART DESCRIPTION	19EB004	19EB005		
		COMPR. SIZE	COMPR. SIZE		
Sales package is designated by compr. frame size (ex. 19EB004 = FR#4)					
COMPRESSOR GROUP					
1	COUNTER THRUST BEARING SHIM	19EA421332	19EA511332		
2	COUNTER THRUST BEARING	19EA42153	19EA51153		
3	SEAL RING RETAINER	19EA421322	19EA511322		
4	SEAL RING	19EA411312	19EA511862		
5	PIN	AX11AR122	->		
6	ADJUSTING PAD PACKAGE	19D23841	19EA51841		
7	THRUST SHOE PKG.	19EA41216	19EA51673		
8A	BEARING HOUSING (A3 & A4 SHROUD)	19EA41607	19EA51164		
8B	BEARING HOUSING (A5 & A6 SHROUD)	19EA42407	19EA51164		
9A	BEARING LINER (ALL OTHERS)	19EA411342	19EA511373		
9B	BEARING LINER (50HZ HI-SPEED ONLY)	19EA421353	19EA511323		
10	IMPELLER SHIM,2ND STAGE	19EA411111	19EA511882		
11A	BALANCING PISTON,LABY(A3 & A4 SHROUD)	19EA421043	19EA531043		
11B	BALANCING PISTON,LABY(A5 & A6 SHROUD)	19EA431043	19EA551043		
12	O-RING	KK71GX066	KK71G2087		
13	LEVELING PAD	(12) 19D320052	(16) 19EA520163		
14	O-RING	KK71GX022	KK71GX024		
15	O-RING	KK71GX037	KK71G2051		
16	KEY	19EA411091	->		
17	SCREW	AC26AA080	->		
18	CONTACT RING	19EA411172	19EA511172		
19	SEAL RING (IMPORTANT! SEE NOTE)	19EB4121003	19EB5121012		
NOTE: FOR FIRST TIME CHANGE OUT ON MACHINES SHIPPED PRIOR TO 8/81, A NEW SEAL HOUSING (ITEM 22) MUST ALSO BE ORDERED.					
20	SHAFT SLEEVE	19EA411081	19EA511892		
21	O-RING	KK71GX025	KK71GX031		
22	SEAL HOUSING (IMPORTANT! SEE NOTE)	19EB412102	19EB512102		
NOTE: FOR FIRST TIME CHANGE OUT ON MACHINES SHIPPED PRIOR TO 8/81, A NEW SEAL RING (ITEM 19) MUST ALSO BE ORDERED.					
23	RETAINER,SPRING	19EA411392	19EA511392		
24	SPRING	(8) 19EA411291	(12) ->		
25	RETAINING RING	AU46AR975	AU46AR976		
26	SLINGER	19EA411382	19EA511382		
27	PIN	AX11AR037	->		
28	SHAFT	19EA422364	19EA511464		
29	LABYRINTH ASY	19EA412204	19EA502204		
30	OIL TEMP GAUGE	KM16BC222	->		
31	CHECK VALVE (3/8" NPT)	19EA41262	->		
32	O-RING	KK71GX132	KK71GX175		
33	IMPELLER SPACER	19EA411372	19EA511372		
34	1ST STAGE IMPELLER SHIM	19EA411101	19EA531882		
35	O-RING	KK71GX200	KK71GX245		
36	IMPELLER DISPLACEMENT DETECTOR	19EA4121114	->		
37	TERMINAL,DISPLACEMENT DETECTOR	(2) HY85FP041	(2) ->		
38	SET SCREW	(2) AE54FR164	(2) ->		
39	IMPELLER LOCKNUT	19EA411362	19EA512052		
40	IMPELLER KEY	(6) 19EA411151	(6) 19EA511992		
41A	LABY,1ST STAGE IMPELLER (A3 SHROUD)	19EA431413	19EA522034		
41B	LABY,1ST STAGE IMPELLER (A4 SHROUD)	19EA451413	19EA542034		
41C	LABY,1ST STAGE IMPELLER (A5 SHROUD)	19EA481413	19EA552034		
41D	LABY,1ST STAGE IMPELLER (A6 SHROUD)	19EA411363	19EA562034		
42	SUCTION ELBOW GASKET	19EA4113131A	19EA5113131A		
43A	LABY,2ND STAGE IMPELLER (A3 SHROUD)	19EA421033	19EA532044		

PARTS LIST CATALOG

PARTS LIST PAGE: 001

CATALOG NO.: REV.
SUPERSEDES: REV.

NOTE: SEE "CATALOG NOTES" ON LAST PAGE FOR EXPLANATION OF SYMBOLISM.



HERMETIC CENTRIFUGAL
CHILLER

19EB

SIZE: 004 005
SERIES: 0

ITM	PART DESCRIPTION	19EB004	19EB005		
		COMPR. SIZE	COMPR. SIZE		
COMPRESSOR GROUP					
43B	LABY.2ND STAGE IMPELLER (A4 SHROUD)	19EA441033	19EA542044		
43C	LABY.2ND STAGE IMPELLER (A5 SHROUD)	19EA4461033	19EA552044		
43D	LABY.2ND STAGE IMPELLER (A6 SHROUD)	19EA4421073	19EA562044		
44	GASKET,INSPECTION COVER	19EA4212531A	19EA5112531A		
45	GASKET	AU51YA015	->		
46	O-RING	KK71GZ100	->		
47	GASKET,MOTOR FLANGE	19EA4113031A	->		
48	GASKET (2 BOLT)	(2) DK29GA0051A	(2) ->		
49	OIL RESERVOIR	19EA511094	->		
50	O-RING,SIGHT GLASS	(2) KK71GZ041	(2) ->		
51	MOTOR SENSOR TERMINAL	(3) HY85FP065	(3) ->		
52	PLATE,MOTOR SENSOR TERMINAL	19EA441232	->		
53	COVER	HX08FZ050	->		
54	EXTENSION	HX22FS036	->		
55	FLANGE	DK24CA712	->		
56	SIGHT GLASS	KH36BZ002	->		
NOTE: USED ON MACHINES WITH COMPRESSOR S/N PRIOR TO 100440.					
57	SIGHT GLASS COVER	19EA421782	->		
58	REAR BEARING HOUSING ASY	19EA52173	->		
59	SPRAY RING	19EA511194	->		
60	LABYRINTH	19EA521023	->		
61	SPRING	19EA511952	->		
62	PRESSURE PLATE	19EA5121013	->		
63	DOWEL PIN	(3) AX11AR130	(3) ->		
64	DOWEL PIN	19EA512062	->		
65	BEARING HOUSING	19EA521024	->		
66	LOCKNUT	19EA511362	->		
67	SCREW,SET	(2) AE19AR100	(2) ->		
68	O-RING	KK71GZ041	->		
69	BELL END BEARING	19EA511972	->		
70	O-RING	KK71GX052	->		
71	CONTACT RING	19EA511962	->		
72	DOWEL PIN	AX11AR037	->		
73	SEAL RING,CARBON	19EA511312	->		
74	O-RING	KK71GX037	->		
75	O-RING	(2) KK71GX060	(2) ->		
76	DOWEL PIN	AX35AA237	->		
77	PLUG	CA63AA051	->		
78	PIN	19EA431822	->		
79	COVER	19EA4121714	->		
80	NOZZLES,ROTOR	(4) 19EA411792	X		
81	MOTOR SENSOR,HI-TEMP (KLIXON,32SM)	HH12HA105	->		
82	MOTOR SENSOR,HI-TEMP (32SM)	19EA660029	->		
82A	SENSOR (MOTOR WINDINGS)	(2) 06EA500832	(2) ->		
83	MOTOR SENSOR,HI-TEMP (32MP) TERMINAL ARRANGEMENT	32MP500354	->		
84	TERMINAL ASY (10-VOLT)	19EA660014	->		
85	TERMINAL BOARD	19EA421573	->		
86	TERMINAL ASY STUD	(2) 19EA42353	(2) ->		
87	WASHER	(2) AU51AS541	(2) ->		
88	JAM NUT (3/4-10)	(12) AT149A361	(12) ->		
89	BRASS WASHER (3/4)	(6) AU02QA361	(6) ->		
90	PACKING GLAND	(2) 19EA411142	(2) ->		
91	PACKING RING	(2) 19EA412432	(2) ->		

PARTS LIST CATALOG

PARTS LIST PAGE: 002

CATALOG NO. : REV.
SUPERSEDES : REV.

NOTE: SEE "CATALOG NOTES" ON LAST PAGE FOR EXPLANATION OF SYMBOLISH.



HERMETIC CENTRIFUGAL
CHILLER

19EB

SIZE: 004 005
SERIES: 0

ITM	PART DESCRIPTION	19EB004	19EB005		
		COMPR. SIZE	COMPR. SIZE		
TERMINAL ARRANGEMENT					
92	O-RING	KK74ZW487	->		
93	TERMINAL ARG. (HI-VOLT)(DESIGN #2)	NO LONGER AVAILABLE	->		
NOTE: IF A COMPLETE NEW TERMINAL ASSEMBLY IS REQUIRED REFER TO SERVICE BULLETIN C9732 OR KIT NUMBERS 19EF660001 & 19EF660002.					
94	O-RING	KK71ZR001	->		
95	PLAIN WASHER	(10) AU02AB242	(10) ->		
96	TERMINAL BOARD	19EF4021013	->		
97	HEX HEAD CAPSCREW	(10) AA06BS235	(10) ->		
98	TERMINAL INSULATOR	19FA680013	->		
99	TERMINAL RETAINER	(2) 19FA5021242	(2) ->		
100	PACKING RING	19FA5021232	->		
101	PACKING NUT	19FA680013	->		
102	JAM NUT	AT140A311	->		
103	TERMINAL ARG. (HI-VOLT)(DESIGN #3)	NO LONGER AVAILABLE	->		
NOTE: IF A COMPLETE NEW TERMINAL ASSEMBLY IS REQUIRED REFER TO SERVICE BULLETIN C9732 OR KIT NUMBERS 19EF660001 & 19EF660002.					
104A	QUAD RING	KK74ZW487	->		
104B	QUAD RING (50HZ DG/DH/DJ MOTORS)	KK71GM0731A	->		
105	WASHER,PLAIN (3/8")	(10) AU02AB242	(10) ->		
106	CAP SCREW,HEX. HEAD (3/8")	(10) AA06BS235	(10) ->		
107	PACKING RING	19FA5021232	->		
108	TERMINAL INSULATOR/PACKING NUT KIT	19EF680002	->		
109	JAM NUT	AT140A311	->		
110	TERMINAL RETAINER	(2) 19FA5021242	(2) ->		
112	O-RING	KK71GX015	->		
113A	TERMINAL BOARD	19EF4021013	->		
113B	TERMINAL BOARD (50HZ DG/DH/DJ MOTO	19EF5021013	->		
114	TERMINAL ARG. (HI-VOLT)(DESIGN #4)	SEE NOTE	->		
NOTE: IF A COMPLETE NEW TERMINAL ASSEMBLY IS REQUIRED REFER TO SERVICE BULLETIN C9732 OR KIT NUMBERS 19EF660001 & 19EF660002.					
115	QUAD RING	KK74ZW487	->		
116	WASHER,PLAIN	(10) AU02AB242	(10) ->		
117	TERMINAL BOARD	02EX45000201	->		
118	CAPSCREW,HEX. HEAD	(10) AA06BS234	(10) ->		
119	TERMINAL ASY	02XB05003001	->		
120	O-RING,INNER	KK71EW235	->		
121	O-RING,OUTER	KK71EW311	->		
122	TERMINAL REBUILD KIT	19XR660018	->		
123	TERMINAL STUD	02XB05003101	->		
GUIDE VANE & BLADE RING					
124	MOTOR ACTUATOR	19ER411123	X		
125	POTENTIOMETER	HT24AV120	X		
126	DRIVE PULLEY SHAFT	19EA631052	X		
127	ROLL PIN	AX14CA044	->		
128	KEY	19D211391	->		
129	WASHER	AU51YA391	->		
130	V-RING PRESSURE ASY	KK71HT016	->		
131	V-RING VACUUM ASY	KK71HT014	->		
132	SEAL HOUSING	19EA611022	->		
133A	GASKET,SEAL HOUSING	19EA4110211A	->		
133B	O-RING,SEAL HOUSING	KK71EW229	->		
134	SEAL RETAINER	19EA421042	->		
135	BEARING HOUSING	19EA611032	->		
136	BUSHING	KT53X1093	->		

PARTS LIST CATALOG

PARTS LIST PAGE: 003

CATALOG NO. : REV.
SUPERSEDES : REV.

NOTE: SEE "CATALOG NOTES" ON LAST PAGE FOR EXPLANATION OF SYMBOLISM.



HERMETIC CENTRIFUGAL
CHILLER

19EB

SIZE: 004 005
SERIES: 0

ITM	PART DESCRIPTION	19EB004	19EB005		
		COMPR. SIZE	COMPR. SIZE		
GUIDE VANE & BLADE RING					
137	PELLET	19EA411031	->		
138	CRANK ARM	19EB4121032	X		
139	CRANK ARM	19D232152	X		
140	LOCKWASHER	AU11AS171	->		
141	LINKAGE CONNECTOR	HF91AB115	X		
142	PUSH ROD	19EA411331	X		
143	BLADE RING ASY	REFERENCE ONLY	->		
144	DRIVE PULLEY	19EA411003	19EA511003		
145	PULLEY	(6) 19EA412142	(6) 19EA512142		
146	IDLER PULLEY PKG	(7) 19D211252	(7) 19C47771		
147	PRE-WHIRL BLADE PKG	(7) 19EA660016	(7) 19EA660017		
148	BLADE	19EA660016	19EA660017		
149	PULLEY	19EA412142	19EA512142		
150	WASHER	19EA412592	->		
151	BOLT	AA13BR294	AA13BR295		
152	CABLE ASY	19EA43102	19EA51102		
153	PIN	(7) 19EA431001	(7) 19EA512022		
154	BUSHING	(14) KT53XL093	(14) KT53XL102		
155	BUSHING	(7) KT53XL055	(7) KT53XL065		
156	RETAINING RING	(14) AU48AR061	X		
157	THRUST WASHER	X	AU2AA332		
158	ACTUATOR MOTOR (CHAIN DRIVE)	X	19EB511123		
159	POTENTIOMETER (CHAIN DRIVE)	X	HT24AV120		
160	ACTUATOR CHAIN (CHAIN DRIVE)	X	19FA660016		
161	ACTUATOR SPROCKET (CHAIN DRIVE)	X	17FA5021712		
162	DRIVE PULLEY SHAFT (CHAIN DRIVE)	X	19EA531052		
163	HUB SPROCKET (CHAIN DRIVE)	X	17FA5021583		
164	SPROCKET GUIDE VANE (CHAIN DRIVE)	X	17FA5121543		
165	KEY (CHAIN DRIVE)	X	17FA5021782		
166	CHAIN GUARD ASY (CHAIN DRIVE)	X	19EA660007		
167	BRACKET-UPPER (CHAIN DRIVE)	X	19EA511513		
168	BRACKET-LOWER (CHAIN DRIVE)	X	19EA511523		
169	CHAIN GUARD (CHAIN DRIVE)	X	17FA512303		
170	SPEED MUT (CHAIN DRIVE)	X	(4) AS41BS052		
171	SCREW (CHAIN DRIVE)	X	(4) AL56AU215		
172	SCREW (3/8-16 X 7/8)	X	(2) AA06BR229		
173	SCREW (1/4-20 X 5/8)	X	AA06BR167		
COMPRESSOR TRANSMISSION ASSEMBLY					
174	SPLITLINE GASKET PKG	19EA660025	19EA660026		
175	PINION KEY	(2) 19D311411	(2) 19EA511922		
176	O-RING	KK71GX051	KK71GX055		
177	BEARING ANTI-ROTATION KEY	19EA412252	19EA512002		
178	DISC	19EA421452	19EA511452		
179	PINION BEARING (50/60HZ)	19EA41438	19EA51214		
180	WINDAGE BAFFLE	19EB4121003	19EA5121003		
181A	TERMINAL (USED WITH PIC & 32MP)	(2) HY85FP065	(2) ->		
181B	TERMINAL (USED WITH 32SM)	(2) HY85FP041	(2) ->		
182	FUSE HOLDER	(2) 19EA412142	(2) ->		
183	FUSE	MKB-1/8	->		
184	O-RING	(2) KK71GX050	(2) KK71GX052		
185A	SENSOR ASY.BEARING TEMP. (32MP & PIC)	19EB402112	->		
185B	SENSOR.ANALOG	HH79NZ050	->		
185C	SENSOR ASY.BEARING TEMP. (32SM)	17FA502402	->		
185D	SENSOR.KLIXON	HH79YZ075	->		

PARTS LIST CATALOG

PARTS LIST PAGE: 004

CATALOG NO. : REV.
SUPERSEDES : REV.

NOTE: SEE "CATALOG NOTES" ON LAST PAGE FOR EXPLANATION OF SYMBOLISM.



HERMETIC CENTRIFUGAL
CHILLER

19EB

SIZE: 004 005
SERIES: 0

ITM	PART DESCRIPTION	19EB004		19EB005	
		COMPR. SIZE		COMPR. SIZE	
COMPRESSOR TRANSMISSION ASSEMBLY					
186A	PINION PKG (60HZ) (R12 & R500)	19EA43831		19EA51831	
186B	PINION PKG (50HZ) (R12 & R500)	19EA45831		19EA56831	
186C	PINION PKG (50HZ HI-SPD) (R134A)	19EA46831		19EA52831	
186D	PINION PKG (60HZ LO-SPD)(54HZ)(R134A)	19EA45831-13		19EA56831-13	
187 N	GEAR SHROUD KIT (60HZ)	19EA660053		X	
NOTE: KIT USED FOR REPLACEMENT OF STANDARD 60HZ GEAR SHROUD ONLY.					
188 N	UPPER SHROUD,MOTOR END (60HZ)	19EA41377		X	
189 N	UPPER SHROUD,COMPR. END (60HZ)	19EA41387		X	
190 N	LOWER SHROUD,MOTOR END (60HZ)	19EA43377		X	
191 N	LOWER SHROUD,COMPR. END (60HZ)	19EA43387		X	
192 N	GEAR SHROUD KIT (50HZ/54HZ)	19EA660051		X	
NOTE: KIT USED FOR 60HZ CONVERSION TO 134A REFRIGERANT AND REPLACEMENT OF STANDARD 50HZ GEAR SHROUD.					
193 N	UPPER SHROUD,MOTOR SIDE (50HZ/54HZ)	19EA46377		X	
194 N	UPPER SHROUD,COMPR. SIDE (50HZ/54H)	19EA46387		X	
195 N	LOWER SHROUD,MOTOR SIDE (50HZ/54HZ)	19EA48377		X	
196 N	LOWER SHROUD,COMPR. SIDE (50HZ/54H)	19EA48387		X	
197 N	GEAR SHROUD KIT (50HZ HI-SPD)	19EA660052		X	
NOTE: KIT USED FOR 50HZ CONVERSION TO 134A REFRIGERANT ONLY.					
198 N	UPPER SHROUD,MOTOR END (50HZ HI-SP)	19EA42128		X	
199 N	UPPER SHROUD,COMPR. END (50HZ HI-S)	19EA42168		X	
200 N	LOWER SHROUD,MOTOR END (50HZ HI-S)	19EA42428		X	
201 N	LOWER SHROUD,COMPR. END (50HZ HI-S)	19EA42398		X	
202 N	SCREW (1/4-20 X 2-3/4)	(3) AA138R178		X	
203 N	SCREW (1/4-20 X 3)	(3) AA138R179		X	
204	DEMISTOR (GEAR LOCKNUT)	19EB4121013		19EA411063	
205	O-RING	KK71GU0311A		->	
206	COVER,DEMISTER	19EA411152		->	
207	SCREW (#10-24 X 1/2)	(6) AC26AA126	(6)	->	
208	WASHER,PLAIN (3/8)	AU01AA241		->	
209	SCREW (3/8-16 X 3/4)	AA068R228		->	
210A	BEARING ASY(ALL OTHERS)	19EA41284		19EA51204	
210B	BEARING ASY(50HZ HI-SPEED,R134A ONLY)	19EA41494		19EA51494	
211	O-RING	KK71GX014		->	
212	O-RING	(2) KK71GX050	(2)	KK71GX052	
213	SET SCREW	AF11CA164		->	
214	SENSOR ASY	19FA660028		->	
OIL RESERVOIR COVER ASSEMBLY					
215	SIGHT GLASS COVER	17DA811822		->	
216	SIGHT GLASS GASKET	(2) KM39BT041	(2)	->	
217	SIGHT GLASS (REFLEX)	KM39BT031		->	
218A	O-RING	KK71PR055		->	
218B	O-RING (R134A ONLY)	X		X	
219A	OIL PUMP ASY (ALL OTHER VOLTAGES)	19EA511223		->	
219B	OIL PUMP ASY (550V-60HZ)	19EA531223		->	
220	ANGLE VALVE	EP231A155		->	
221	TERMINAL PKG	19DA660003		->	
222	RELIEF VALVE ASY (OIL PRESSURE)	19EA411133		->	
222A	RELIEF VALVE (OIL PRESSURE)	19EA411123		->	
223	GASKET	(2) DK29GA0051A	(2)	->	
224	O-RING,MOTOR COVER	KK71PR050		->	
225	PUMP VANES	(4) 19EA517012	(4)	->	

PARTS LIST CATALOG

PARTS LIST PAGE: 005

CATALOG NO. : REV.
SUPERSEDES : REV.

NOTE: SEE "CATALOG NOTES" ON LAST PAGE FOR EXPLANATION OF SYMBOLISH.



HERMETIC CENTRIFUGAL
CHILLER

19EB

SIZE: 004 005
SERIES: 0

ITM	PART DESCRIPTION	19EB004		19EB005	
		COMPR. SIZE		COMPR. SIZE	
MACHINE ARRANGEMENT & PIPING					
226	STRAIN RELIEF	(3)	HM602W260	(3)	->
227	SENSOR,TEMPERATURE	(3)	HH79N2024	(3)	->
228	CONNECTOR,MALE (3/16 X 1/8 MPT)	(3)	DC998A015	(3)	->
229	DISCHARGE GASKET		19EA4112921A		19EA5112921A
230	STEAM COCK,OIL COOLER		EV01AM041		->
231	SOLENOID VALVE		FF11CH182		->
232	LOW TEMP CHILLED WATER CUT OUT		19EA660027		->
233	CHILLED WATER SENSOR & WELL ASY		32SM500234		->
234	SENSOR		32SM680001		->
235 N	COOLER TUBE PART NUMBER & QTY.		CONTACT RCD		->
236 N	CONDENSER TUBE PART NUMBER & QTY.		CONTACT RCD		->
237 N	STARTER,OIL PUMP (LESS HEATERS)		HM03AC800		->
237AN	HEATER ELEMENT (200-240 60HZ)		HN71AZ850		->
237BN	HEATER ELEMENT (380-480 60HZ)		HN71AZ846		->
237CN	HEATER ELEMENT (550-600 60HZ)		HN71AZ843		->
237DN	HEATER ELEMENT (220-240 50HZ)		HN71AZ852		->
237EN	HEATER ELEMENT (380-440 50HZ)		HN71AZ846		->
238	FILTER PACKAGE W/HOUSING		19FA660031		->
239 N	GUIDE,FILTER		17FA402372		->
240 N	HOUSING,FILTER		KH33QA182		->
241	ELEMENT,FILTER	(2)	17S40-001	(2)	->
242 N	STOPPER,FILTER		19EA41512		->
243 N	SPRING,FILTER		17FA4021992		->
244	GASKET		DK29GA0051A		->
245	OIL HEATER		HT3222221		->
246	PILOT LIGHT,OIL HEATER		HY19AD024		->
247	OIL RESERVOIR GASKET (24 HOLE)		19EA6350221A		->
248	OIL HEATER SWITCH		HH16NA105		->
249	DEHYDRATOR DRAIN VALVE		EP20LA095		->
250	ORIFICE ADAPTER	(2)	19CB7211012	(2)	->
251	GASKET	(2)	DD24FA151	(2)	->
252	TEMPERATURE GAUGE		KM14BC222		->
253	STRAINER	(2)	P507-8214S	(2)	->
254	ISOLATION VALVE(COOLER/STORAGE TANK)		19EA660036		19EA660038
255	RELIEF PLUG	(2)	EB51LR810	(2)	->
256	ISOLATION VALVE (COOLER)		19EA660037		->
257	SAFETY HEAD		EB51LR810		->
258A	GASKET (2 HOLE)	(4)	DK29GA0051A	(4)	->
258B	GASKET (4 HOLE)	(2)	DK37GA001	(2)	->
259	GASKET,RING (3-1/2")		CT99GX351		->
260	OIL TEMP SWITCH (LOW)		HH16NA120		->
261	PRESSURE GAUGE		KM03AF280		->
262	SIGHT GLASS	(2)	KM36BZ002	(2)	->
263A	ISOLATION VALVE		19EA660037		->
	NOTE: USED ON MACHINES BUILT AFTER 10/20/81.				
263B	ISOLATION VALVE (BUTTERFLY TYPE)		19EA417462		19EA427462
	NOTE: USED ON MACHINES BUILT PRIOR TO 11/20/81.				
263C	GASKET,BUTTERFLY ISOLATION VALVE	(2)	CT99ZX501	(2)	CT99GX6011A
	NOTE: USED ON MACHINES BUILT PRIOR TO 11/20/81.				
264	RELIEF PLUG		EB51LR810		->
	NOTE: USED ON MACHINES BUILT AFTER 10/20/81.				
265	PACKING		KK71HT012		->
	NOTE: USED ON MACHINES BUILT AFTER 10/20/81.				
266	ANGLE VALVE		EB20BA610		->

PARTS LIST CATALOG

PARTS LIST PAGE: 006

CATALOG NO. : REV.
SUPERSEDES : REV.

NOTE: SEE "CATALOG NOTES" ON LAST PAGE FOR EXPLANATION OF SYMBOLISM.



HERMETIC CENTRIFUGAL
CHILLER

19EB

SIZE: 004 005
SERIES: 0

ITM	PART DESCRIPTION	19E004	19E005		
		COMPR. SIZE	COMPR. SIZE		
MACHINE ARRANGEMENT & PIPING					
267A	GASKET, COOLER W/B (UNISHELL 41,42)	(2) 19EA4131103	X		
267B	GASKET, COOLER W/B (UNISHELL 43,45)	(2) 19EA4331103	X		
267C	GASKET, COOLER W/B (UNISHELL 46,47)	(2) 19EA4631103	X		
267D	GASKET, COOLER W/B (UNISHELL 51,52,53)	X	(2) 19EA5131103		
267E	GASKET, COOLER W/B (UNISHELL 55,57)	X	(2) 19EA5531103		
267F	GASKET, COOLER W/B (UNISHELL 59)	X	(2) 19EA5931103		
268A	GASKET, DIVISION PLATE (20")	19XB680001	->		
268B	GASKET, DIVISION PLATE (50")	OR02SR019	->		
269A	GASKET, COND. W/B (UNISHELL 41,42)	(2) 19EA415104	X		
269B	GASKET, COND. W/B (UNISHELL 43,45)	(2) 19EA435104	X		
269C	GASKET, COND. W/B (UNISHELL 46,47)	(2) 19EA465104	X		
269D	GASKET, COND. W/B (UNISHELL 51,52,53)	X	(2) 19EA515104		
269E	GASKET, COND. W/B (UNISHELL 55,57)	X	(2) 19EA555104		
269F	GASKET, COND. W/B (UNISHELL 59)	X	(2) 19EA595104		
270	RELIEF VALVE (1")	19EB660005	->		
271	RELIEF VALVE (1")	(2) 19EB660005	(2) ->		
272	RELIEF VALVE (1/2")	EB51FZ101	->		
273	SUCTION GASKET	19EA4114321A	19EA5114321A		
274	COUPLING	CT29AC501	->		
275	COUPLING GASKET	(2) 19EA41001	(2) 19EA51002		
276	RING GASKET	(2) CT992X501	(2) CT99GX6011A		
277	FOOT GASKET	19EA4310121A	->		
278	ANGLE VALVE	EP20BA410	->		
279	FLARE GASKET	DD24FA151	X		
280	GASKET, COUPLING (FOR 4" & 7-1/2")	(2) CT96SX4011A	(2) ->		
281A	COUPLING (4")	CT29AM030	->		
281B	COUPLING (7-1/2")	CT29AM020	->		
282	SOLENOID VALVE	FF11CM182	->		
283	ANGLE VALVE	EP23LA155	->		
284	BALL VALVE (2")	EP71CQ481	->		
285	DAMPER VALVE	19FA41287	19FA501123		
286	DAMPER VALVE REPAIR KIT	19FA660027	->		
287	DAMPER VALVE GASKET	(2) CT992X501	CT99GX6011A		
288	ANGLE VALVE	EP23LA155	->		
289	ANGLE VALVE	447-233	->		
UTILITY VESSEL GROUP					
290	GASKET, VALVE CHAMBER	19EA4260431A	19EA5160431A		
291	VALVE (5/8)	(2) 447-233	(2) ->		
292	REFRIGERANT STRAINER	19EA41852	->		
293	FLOAT BOX COVER GASKET	(2) 19EA4153531A	(2) 19EA5153531A		
294	FLOAT VALVE ASY, LO-SIDE	19EA41768	X		
	NOTE: USED WITH UTILITY VESSEL SIZE 41-47 WITH R-500, 41-45 WITH R-12.				
295	FLOAT VALVE BODY	17F35503	X		
296	FLOAT BALL & ARM ASY	19EA660002	X		
297	ROLL PIN	AX14CA064	X		
298	FLOAT VALVE ASY, LO-SIDE	19EA46768	X		
	NOTE: USED WITH UTILITY VESSEL SIZE 46,47 WITH R-12.				
299	FLOAT VALVE BODY	17F40503	X		
300	FLOAT BALL & ARM ASY	19EA660003	X		
301	ROLL PIN	AX14CA064	X		
302	FLOAT VALVE ASY, LO-SIDE	X	19EA51768		
	NOTE: USED WITH UTILITY VESSEL SIZE 51-59 WITH R-500, 51-53 WITH R-12.				
303	FLOAT VALVE BODY	X	17F40503		
304	FLOAT BALL & ARM ASY	X	19EA660004		

PARTS LIST CATALOG

PARTS LIST PAGE: 007

CATALOG NO. : REV.
SUPERSEDES : REV.

NOTE: SEE "CATALOG NOTES" ON LAST PAGE FOR EXPLANATION OF SYMBOLISM.



HERMETIC CENTRIFUGAL
CHILLER

19EB

SIZE: 004 005
SERIES: 0

ITM	PART DESCRIPTION	19EB004	19EB005		
		COMPR. SIZE	COMPR. SIZE		
UTILITY VESSEL GROUP					
305	ROLL PIN	X	AX14CA064		
306	FLOAT VALVE ASY, LO-SIDE	X	19EA55768		
	NOTE: USED WITH UTILITY VESSEL SIZE	56-59 WITH R-12.			
307	FLOAT VALVE BODY	X	17F45503		
308	FLOAT BALL & ARM ASY	X	19EA660005		
309	ROLL PIN	X	AX14CA064		
310	FLOAT VALVE GASKET	19EA466492	19EA516492		
311	LO-SIDE SCREEN	19EA415722	19EA515722		
312	HI-SIDE FLOAT VALVE GASKET	19EA416492	19EA466492		
313A	HI-SIDE FLOAT BODY	19EA41943	X		
	NOTE: USED WITH UTILITY VESSEL SIZE	41-47 WITH R-500, 41-45 WITH R-12.			
313B	HI-SIDE FLOAT BODY	19EA46243	X		
	NOTE: USED WITH UTILITY VESSEL SIZE	46 & 47 WITH R-12.			
313C	HI-SIDE FLOAT BODY	X	19EA52943		
	NOTE: USED WITH UTILITY VESSEL SIZE	51-59 WITH R-500 & R-12.			
314	HI-SIDE FLOAT ARM	19EA42802	->		
315A	HI-SIDE FLOAT BALL	EC28HZ243	X		
	NOTE: USED WITH UTILITY VESSEL SIZE	41-47 WITH R-12 AND R-500.			
315B	HI-SIDE FLOAT BALL	X	EC28HZ243		
	NOTE: USED WITH UTILITY VESSEL SIZE	51-59 WITH R-500, 51-53 WITH R-12.			
315C	HI-SIDE FLOAT BALL	X	EC28SH121		
	NOTE: USED WITH UTILITY VESSEL SIZE	55-59 WITH R-12.			
316	SEAL RETAINER	19EA415081	->		
317	SHAFT SEAL	19EA415091	->		
318	HI-SIDE SCREEN	19EA415712	19EA515712		
319	VALVE ANGLE	EP23LA155	->		
320	SCALE, REFRIGERANT PURGE ASSEMBLY	19EA4151002	->		
321	DEHYDRATOR ASY	19EA41543	->		
322	V-BAND COUPLING	CT28MP035	->		
323	SIGHT GLASS GLAND	(2) TS-380	(2) ->		
324	OUTER SIGHT GLASS GASKET	(2) 5F201631012	(2) ->		
325	SIGHT GLASS	(2) 19C356151	(2) ->		
326	INNER SIGHT GLASS GASKET	(2) 5F201011	(2) ->		
327	O-RING	KK74ZW325	->		
328	VALVE	EC29WN211	->		
329	RING GASKET	19DK119104233	->		
330	FLOAT BALL	EC28Q2030	->		
331	FLOAT ARM	19DA11501	->		
332	GAUGE	KM03AF280	->		
333	COVER (CASTING)	19DA115043	->		
PUMPDOWN ASSEMBLY					
334A	PUMPDOWN ASSEMBLY (208-3-60)	19EA411113	->		
334B	PUMPDOWN ASSEMBLY (230-3-60)	19EA421113	->		
334C	PUMPDOWN ASSEMBLY (400/460-3-50/60)	19EA431113	->		
334D	PUMPDOWN ASSEMBLY (575-3-60)	19EA461113	->		
335AN	COMPRESSOR ASY (208/230-3-60)	06DM8086GC3250	->		
335BN	COMPRESSOR ASY (400/460-3-50/60)	06DM8086GC3650	->		
335CN	COMPRESSOR ASY (575-3-60)	06DM8086GC3150	->		
336 N	GASKET SET	6D43172	->		
337 N	VALVE PLATE PACKAGE (1-13/16" BORE)	NO LONGER AVAILABLE	->		
	INCLUDES: ITEMS 337A-337G.				
337AN	VALVE PLATE ASY	NO LONGER AVAILABLE	->		
337BN	DISCHARGE VALVE	(2) 6D751062	(2) ->		

PARTS LIST CATALOG

PARTS LIST PAGE: 008

CATALOG NO.: REV.
SUPERSEDES : REV.

NOTE: SEE "CATALOG NOTES" ON LAST PAGE FOR EXPLANATION OF SYMBOLISM.



HERMETIC CENTRIFUGAL
CHILLER

19EB

SIZE: 004 005
SERIES: 0

ITM	PART DESCRIPTION	19EB004		19EB005	
		COMPR. SIZE		COMPR. SIZE	
PUMPDOWN ASSEMBLY					
337CN	DISCHARGE VALVE STOP	(2)	6D751072	(2)	->
337DN	SUCTION VALVE SPRING	(2)	6D401021	(2)	->
337EN	SUCTION VALVE	(2)	6D451072	(2)	->
337FN	GASKET,VALVE PLATE		6D401073		->
337GN	GASKET,CYLINDER HEAD		05GA502213		->
338 N	VALVE PLATE PACKAGE (2" BORE)		06DA660120		->
INCLUDES: ITEMS 338A-338J.					
338AN	VALVE PLATE ASY.		06DA404674		->
338BN	GASKET,VALVE PLATE		05DA500153		->
338CN	GASKET,CYLINDER HEAD (PLAIN)		05GA502213		->
338DN	GASKET,CYLINDER HEAD (S.C.D.U.)		05GA502223		->
338EN	SUCTION VALVE	(2)	06DA502903	(2)	->
338FN	SPRING,SUCTION VALVE POSITIONING	(2)	6D401021	(2)	->
338GN	GASKET,CYLINDER HEAD (CENTER BAN		05GA502173		->
338HN	GASKET,VALVE PLATE (LESS I PORT)		06DA502923		->
338 J	DOWEL PIN		7J16032		->
344 N	PISTON & PIN PACKAGE	(2)	6D60962	(2)	->
345 N	ECCENTRIC STRAP	(2)	5D401372	(2)	->
346 N	COMPRESSION RING	(2)	AU50CP355	(2)	->
348 N	BEARING HEAD ASY		06DA660060		->
349 N	OIL FILTER ASY		6D40103		->
350	SERVICE VALVE PKG. (SUCTION)		5F20660002		->
351	GASKET,SUCTION VALVE		6D231421		->
352	SERVICE VALVE PKG. (DISCHARGE)		06DA660060		->
353	GASKET,DISCHARGE VALVE		6D2311421		->
354	CONDENSER ASY		19EA41531		->
355	TRY COCK ASY		7F0132		->
356	VALVE,LIQUID		EP12BH211		->
357	COMPR.0"LOAD(30A)(FURNAS-MAN RESET		HN68JX003		->
358A	OVERLOAD HEATER (208V)(MAN. RESET)	(3)	HN71JC050	(3)	->
358B	OVERLOAD HEATER (230V)(MAN. RESET)	(3)	HN71JC049	(3)	->
358C	OVERLOAD HEATER (460V)(MAN. RESET)	(3)	HN71JC036	(3)	->
358D	OVERLOAD HEATER (575V)(MAN. RESET)	(3)	HN71JC031	(3)	->
358E	OVERLOAD (200V-60)(AUTO. RESET)	(2)	HN69G2007	(2)	->
358F	OVERLOAD (230V-60)(AUTO. RESET)	(2)	HN69G2039	(2)	->
358G	OVERLOAD (400/460V-50/60)(AUTO. RE	(2)	HN69G2015	(2)	->
358H	OVERLOAD (220V/50)(AUTO. RESET)	(2)	HN69G2012	(2)	->
359	CONTROL BOX COVER		07DA500002		->
360	CONTROL BOX ASSEMBLY		19EA41508		->
361	TERMINAL BLOCK		HY84EG017		->
362	CONTACTOR		HN53CD115		->
363A	PRESSURE STAT (R12,R134A,R500)		HK01UA101		->
363B	PRESSURE STAT (R22)		HK01UA107		->
364	SWITCH,TOGGLE		HR53ZA035		->
365	FUSE HOLDER		HKP-HH		->
366	FUSE (3 AMP)		AGC3		->
367	GROMMET		KA56XM040		->
368	SAFETY HEAD		EB51LP121		->
369	OIL SEPERATOR		KH51LZ008		->
370	GASKET,OIL SEPERATOR		KY31LY0031A		->
371A	VALVE,DIAPHRAGH (1/2")	(4)	A-14841	(4)	->
371B	VALVE,DIAPHRAGH (5/8")	(4)	EP10BA211	(4)	->
371C	VALVE,DIAPHRAGH (3/4")	(4)	A-14841	(4)	->
372	VALVE,ANGLE		EP20LA103		->

PARTS LIST CATALOG

PARTS LIST PAGE: 009

CATALOG NO. : REV.
SUPERSEDES : REV.

NOTE: SEE "CATALOG NOTES" ON LAST PAGE FOR EXPLANATION OF SYMBOLISM.



HERMETIC CENTRIFUGAL
CHILLER

19EB

SIZE: 004 005
SERIES: 0

ITM	PART DESCRIPTION	19EB004		19EB005	
		COMPR. SIZE		COMPR. SIZE	
PUMPDOWN ASSEMBLY					
373	GASKET,CAPSCREW (5/16")	(4)	AU51YA003	(4)	->
374	GASKET,FLARE (1/2")		DD24FA151		->
375	SPRING,COMPRESSOR MOUNTING	(4)	50K21231	(4)	->
376	SPRING CUP,COMPRESSOR MOUNTING	(4)	50K41221	(4)	->
377	GASKET,BOTTOM PLATE		6D401043		->
378	TERMINAL BOX		06DA660078		->
OIL COOLER FILTER GROUP					
379	OIL COOLER,FILTER ASY		19DR504143		->
380	OIL FILTER	(2)	17S40001	(2)	->
381	FILTER GUIDE ASY		19C35731		->
382	SPRING		19C354991		->
383	O-RING (INCLUDED IN 17S40001)		KK71G2034		->
384	STOPPER		19FA41512		->
CONTROL GROUP					
385	RELAY MODULE ASY (DESIGN #1)		32SM660004		->
NOTE: RELAY MODULE ASY DESIGN I IS NO LONGER AVAILABLE. FOR NEW RELAY MODULE ASSEMBLY SEE DESIGN II. WHEN CONVERTING FROM DESIGN I TO DESIGN II USE KIT NUMBER 32SM660004.					
386	CIRCUIT BREAKER	(2)	HH83XH110	(2)	->
387	RESISTOR		HT21AU100		->
388	TIME DELAY RELAY		19EA41611	19EA41-611	
389	PROGRAM TIMER		HK25BB020		->
390	RELAY	(5)	HN61KL616	(5)	->
391	FUSE		AGC3		->
392	FUSE HOLDER		HTB84I		->
393	AMPLIFIER MODULE ASY		32SM500704		->
394	CYCLING TIMER		HK25DB004		->
395A	ELAPSED TIME IND. (60HZ) RECTANGULAR		19EA660035		->
395B	ELAPSED TIME IND. (50HZ) RECTANGULAR		19EA660050		->
395C	ELAPSED TIME IND. (60HZ) ROUND FACED		HK28DG115		->
395D	ELAPSED TIME IND. (50HZ) ROUND FACED		HK28DG116		->
396	MOTOR SENSOR MODULE		HN65B J090		->
397	DISCHARGE & BEARING SENSOR MODULE		HN65B J003		->
398	TRANSFORMER	(2)	HT01B J115	(2)	->
399	CONDENSER HI-PRESSURE CUTOUT		HK01UA180		->
400	COOLER LO-PRESSURE CUTOUT		HK01CB042		->
401	DIFF,OIL PRESSURE GAUGE		KM05BN220		->
402	COOL/CONDENSER PRESSURE GAUGE	(2)	KM03AF362	(2)	->
403	PUSH BUTTON SWITCH		HR54ZA001		->
404	PUSH BUTTON SWITCH	(2)	HR54ZA020	(2)	->
405	INDICATING LIGHT	(4)	HY19MM020	(4)	->
406	ECONOMIZER,COOLER DIFFERENTIAL PS		HK06CA407		->
407	LOW OIL PRESSURE SWITCH		KH06CB402		->
408	LOCK & KEY		KA19NL010		->
409	TRANSDUCER		32SM660003		->
410	RELAY MODULE ASY (DESIGN #2)		32SM400694		->
NOTE: USED ON MACHINES SHIPPED AFTER MARCH 1977.					
411	RELAY (K1,K3,KB,KM)	(4)	HN61KL615	(4)	->
412	RELAY (K2)		HN61KL616		->
413	PROGRAM TIMER		HK25ZD030		->
414	FUSE		AGC3		->
415	FUSE HOLDER		HTB84I		->
416	LIGHT,INDICATING	(2)	32SM400702	(2)	->
417	AMPLIFIER MODULE ASY		32SM500704		->

PARTS LIST CATALOG

PARTS LIST PAGE: 010

CATALOG NO. : REV.
SUPERSEDES : REV.

NOTE: SEE "CATALOG NOTES" ON LAST PAGE FOR EXPLANATION OF SYMBOLISM.



HERMETIC CENTRIFUGAL
CHILLER

19EB

SIZE: 004 005
SERIES: 0

ITM	PART DESCRIPTION	19EB004		19EB005	
		COMPR. SIZE		COMPR. SIZE	
CONTROL GROUP					
418	CYCLING TIMER (NOT ON ALL ASY)		HK25DB004		->
419	SWITCH, CONDENSER HI-PRESSURE		HK01UA183		->
420	SWITCH, LOW OIL PRESSURE		HK06CB402		->
421	SWITCH, COOLER LOW PRESSURE		HK01CB042		->
422	GAUGE, OIL DIFFERENTIAL		KM05BW220		->
423	GAUGE, PRESSURE COOLER & CONDENSER	(2)	KM03AF362	(2)	->
424	SWITCH, PUSH BUTTON		HR52ZD040		->
425	SWITCH, PUSH BUTTON	(2)	HR54ZA020	(2)	->
426	LIGHT, INDICATING	(4)	HY19MM020	(4)	->
427	CONTROL MODULE (DUAL SENSOR)	(2)	HM65BJ090	(2)	->
428	LOCK & KEY		KA19NL010		->
429	COUNT, START		HK28ZZ115		->
430	LEAD, LAG CONTROL ASY		32SM900001		->
431	SWITCH	(3)	HR54ZA001	(3)	->
432	POTENTIOMETER		32SM500623		->
433	SWITCH (SELECTOR)		32SM500843		->
434	KNOB		KA21RB156		->
435	RELAY		HM67SK007		->
436	RELAY	(4)	HM61KL616	(4)	->
437	SAFETY INDICATOR PANEL		32SM900001		->
438	SWITCH, PUSH BUTTON/LITE (WHITE)	(7)	HR54ZA020	(7)	->
439	SWITCH, PUSH BUTTON/LITE (RED)		HR54ZA040		->
440	RELAY	(10)	HM61KL615	(10)	->
441	RELAY (K104)		HM61KL616		->
442A	CONTROL PANEL REPLACEMENT (60HZ)		19EB660003		->
	NOTE: FACTORY STYLE CONTROL PANEL WITH ESPII. FOR USE IN 60HZ, HIGH PRESSURE MACHINES. DOES NOT INCLUDE SENSORS OR WELLS.				
442B	CONTROL PANEL REPLACEMENT (60HZ)		19EB660001		->
	NOTE: FACTORY STYLE CONTROL PANEL WITHOUT ESPII. FOR USE IN 60HZ, HIGH PRESSURE MACHINES. DOES NOT INCLUDE SENSORS OR WELLS.				
442C	CONTROL PANEL REPLACEMENT (50HZ)		19EB660004		->
	NOTE: FACTORY STYLE CONTROL PANEL WITH ESPII. FOR USE IN 50HZ, HIGH PRESSURE MACHINES. DOES NOT INCLUDE SENSORS OR WELLS.				
442D	CONTROL PANEL REPLACEMENT (50HZ)		19EB660002		->
	NOTE: FACTORY STYLE CONTROL PANEL WITHOUT ESPII. FOR USE IN 50HZ, HIGH PRESSURE MACHINES. DOES NOT INCLUDE SENSORS OR WELLS.				
443	PROCESSOR BOARD PANEL		32MP400974		->
444	HOUSING, 16 POSITION (1J1)		HY07MP216		->
445	HOUSING, 14 POSITION (1J2)		HY07MP214		->
446	HOUSING, 3 POSITION (1J5 & 6J1)	(2)	HY07MP203	(2)	->
447	HOUSING, 6 POSITION (1J4)		HY07MP206		->
448	KEYING PLUG	(9)	HY07MQ004	(9)	->
449	INPUT/OUTPUT BOARD ASY.		HK35EZ002		->
450	HOUSING, 10 POSITION (2J1 & 2J2)	(2)	HY07MP210	(2)	->
451	HOUSING, 13 POSITION (2J4)		HY07MP213		->
452	HOUSING, 12 POSITION (2J5)		HY07MP212		->
453	HOUSING, 4 POSITION (2J6 & 6J2)	(2)	HY07MP204	(2)	->
454	BASIC SET POINT & DISPLAY BOARD ASY		HK35EZ003		->
455	GAUGE, PRESSURE (COOLER/CONDENSER)	(2)	KM03AF363	(2)	->
456	GAUGE & SWITCH, PRESSURE (OIL DIFF.)		KM05BW222		->
457	LIGHT (AMBER)		HY19UC019		->
458	LIGHT (RED)		HY19UC014		->
459	LOCK, CAM		KA19NL010		->
460	FUSE BLOCK (1 POS.)		S-8202-01		->

PARTS LIST CATALOG

PARTS LIST PAGE: 011

CATALOG NO. : REV.
SUPERSEDES : REV.

NOTE: SEE "CATALOG NOTES" ON LAST PAGE FOR EXPLANATION OF SYMBOLISM.

