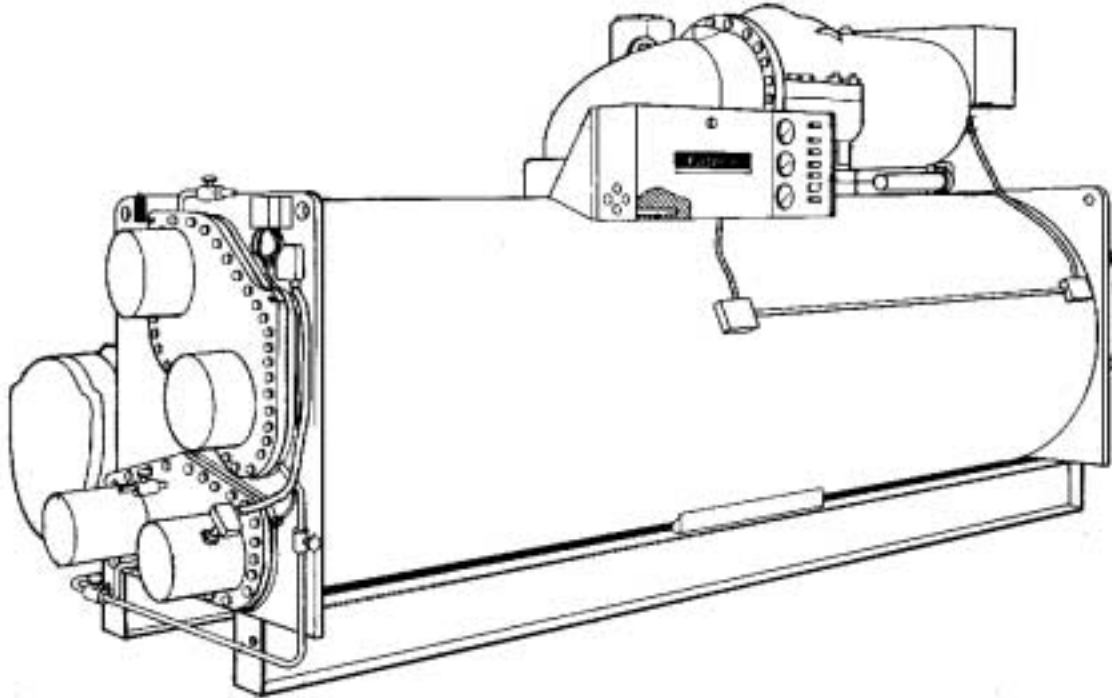


**19EA MACHINE WITH FRAME 4 OR 5 COMPRESSOR SERVICE PARTS GUIDE**



**HOW TO USE THIS CATALOG**

1. THIS CATALOG PRESENTS THE MOST COMMONLY USED SPECIFIED PARTS FOR THE STANDARD 19EA CENTRIFUGAL REFRIGERATION MACHINE AND IS NOT APPLICABLE TO ANY SPECIAL ORDER MACHINES. (CONTACT CARRIER WITH MACHINE SERIAL NUMBER FOR ANY SPECIAL ORDER UNIT PARTS.)
  2. OCCASIONALLY, DUE TO LIMITATIONS OF ILLUSTRATIONS USED, A PART MAY NOT BE ILLUSTRATED. THESE PARTS ARE IDENTIFIED BY "N" IN THE COLUMN NEXT TO THE ITEM NUMBER.
  3. THE FOLLOWING PARTS ARE NOT LISTED IN THIS CATALOG:
    - A. IMPELLERS, SHROUDS, DIFFUSERS
    - B. COMPRESSOR MOTOR (ROTOR & STATOR)
    - C. EVAPORATOR TUBE PART NUMBERS
    - D. CONDENSER TUBE PART NUMBERS
- IF ANY OF THESE PARTS ARE REQUIRED, CONTACT YOUR CARRIER REPRESENTATIVE WITH THE MODEL AND SERIAL NUMBER OF YOUR MACHINE.
4. POSITIVE IDENTIFICATION OF YOUR MACHINE TO PROPERLY SELECT PARTS MAY BE DONE BY REFERRING TO THE MACHINE NAME PLATE. REFER TO PAGE #2 AND #3.
  5. ITEM NOTES ARE GENERALLY ASSOCIATED WITH THE PART NUMBER DIRECTLY ABOVE.



**MACHINE NAME PLATE**

ORIGINAL "NOMINAL TONNAGE" MODEL NO.

**Carrier Air Conditioning Company**  
A DIVISION OF CARRIER CORPORATION

MACHINE MODEL 19EA465

MACHINE NO. \_\_\_\_\_

SERIAL NO. \_\_\_\_\_

REFRIGERANT NUMBER \_\_\_\_\_

MADE IN UNITED STATES OF AMERICA

NEW "TEN DIGIT" MODEL NO.

**Carrier Air Conditioning Company**  
A DIVISION OF CARRIER CORPORATION

MACHINE MODEL 19EA7233DD

MACHINE NO. \_\_\_\_\_

SERIAL NO. \_\_\_\_\_

REFRIGERANT NUMBER \_\_\_\_\_

MADE IN UNITED STATES OF AMERICA

UNISHELL SIZE

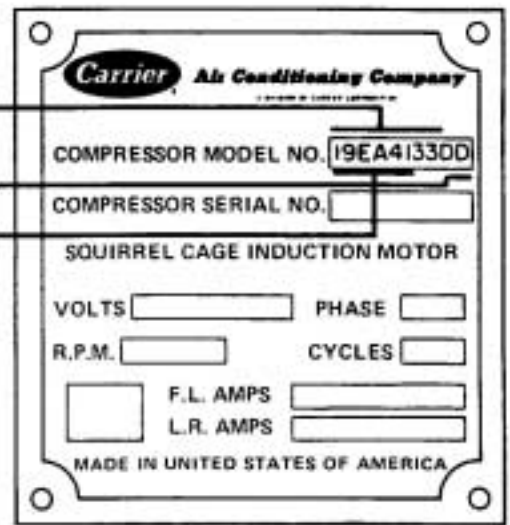
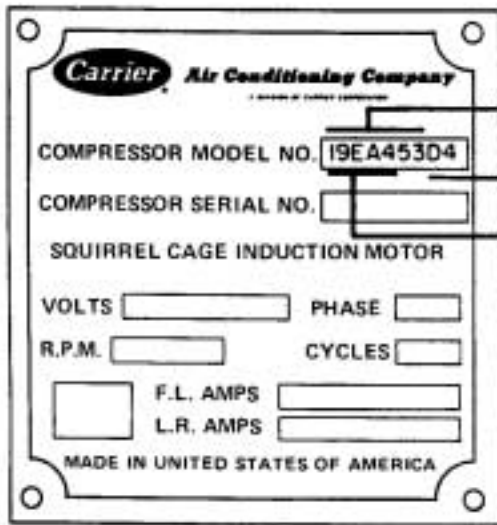
( LOCATED ON THE UNISHELL END FLANGE )

UNISHELL AND UTILITY VESSEL TABLE

MODEL		UNISHELL SIZE	UTILITY VESSEL SIZE
ORIGINAL "NOMINAL TONNAGE" MODEL NO.	FIRST SIX DIGITS OF NEW MODEL NO.		
19EA400	19EA71	41	41
19EA430	19EA71	41	41
19EA465	19EA72	42	41
19EA500	19EA73	43	41
19EA550	19EA75	45	41
19EA590	19EA76	46	46
19EA630	19EA77	47	46
19EA680	19EA81	51	51
19EA750	19EA82	52	51
19EA825	19EA83	53	51
19EA910	19EA85	55	56
19EA1000	19EA87	57	56
19EA1100	19EA89	59	56



**COMPRESSOR NAME PLATE**



COMPRESSOR CODE

MOTOR SIZE

COMPRESSOR SIZE  
(19EA4=19EA41)  
(19EA5=19EA51)

ORIGINAL STYLE NAMEPLATE

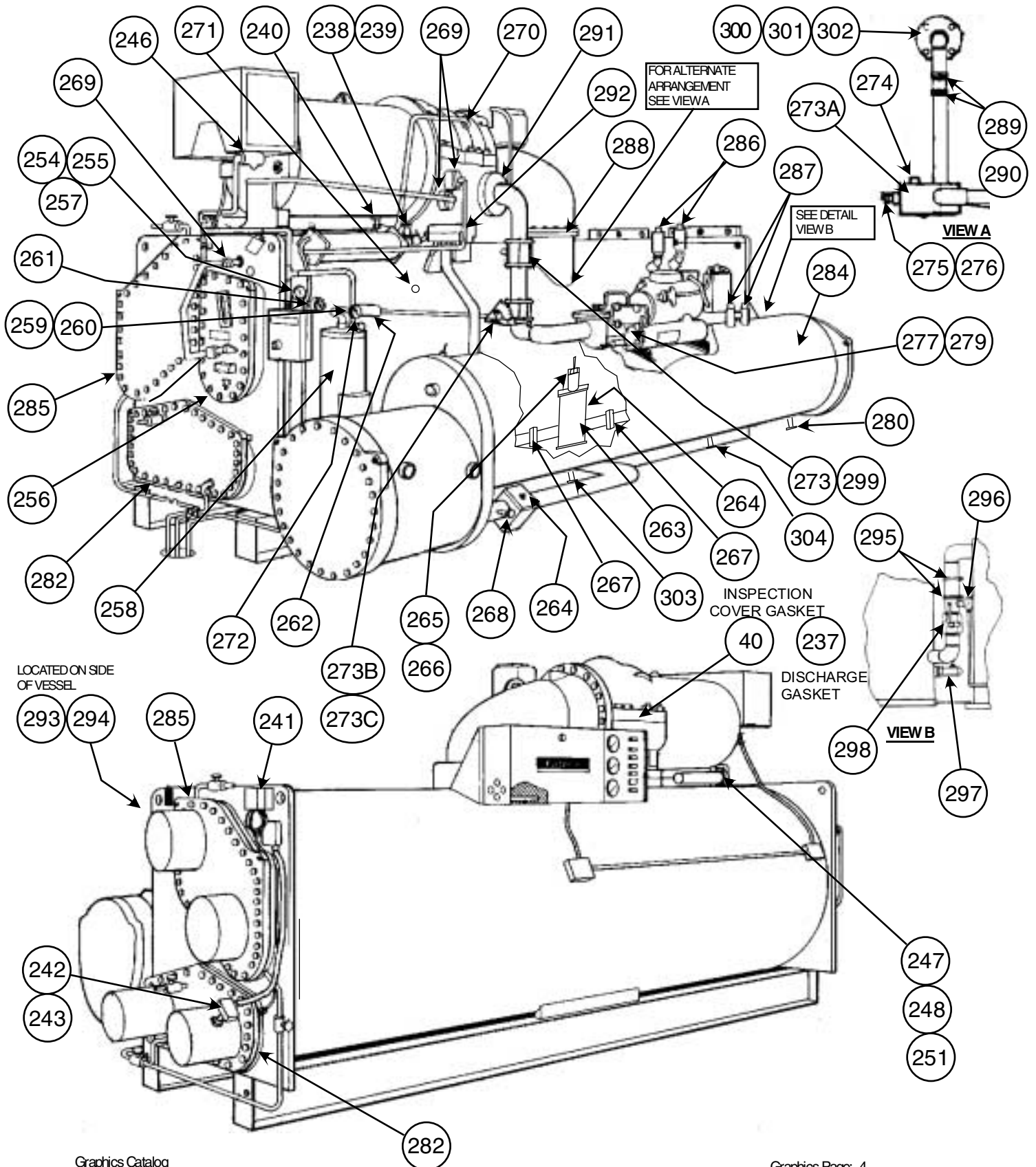
NEW STYLE NAMEPLATE

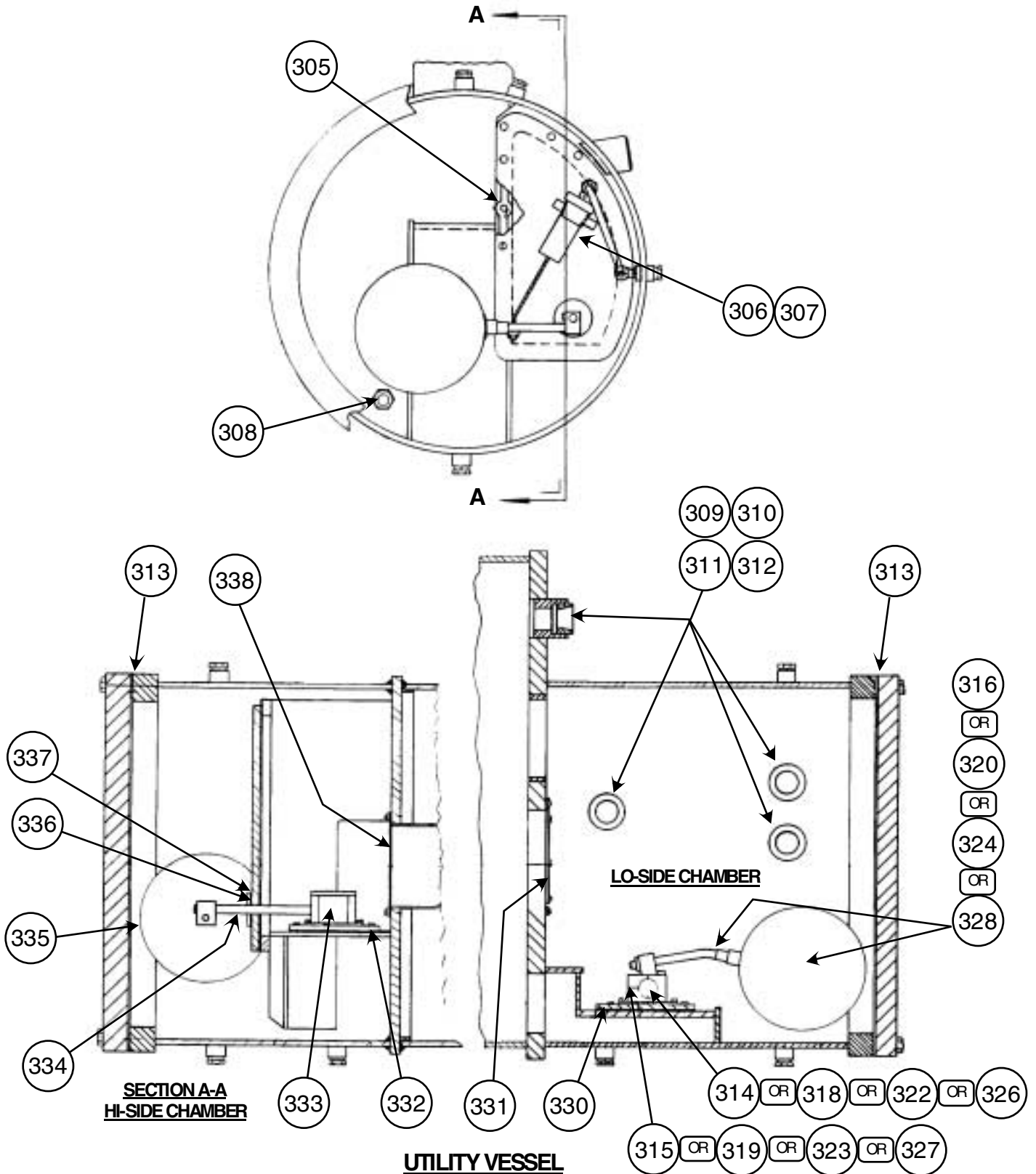
( LOCATED ON THE COMPRESSOR )

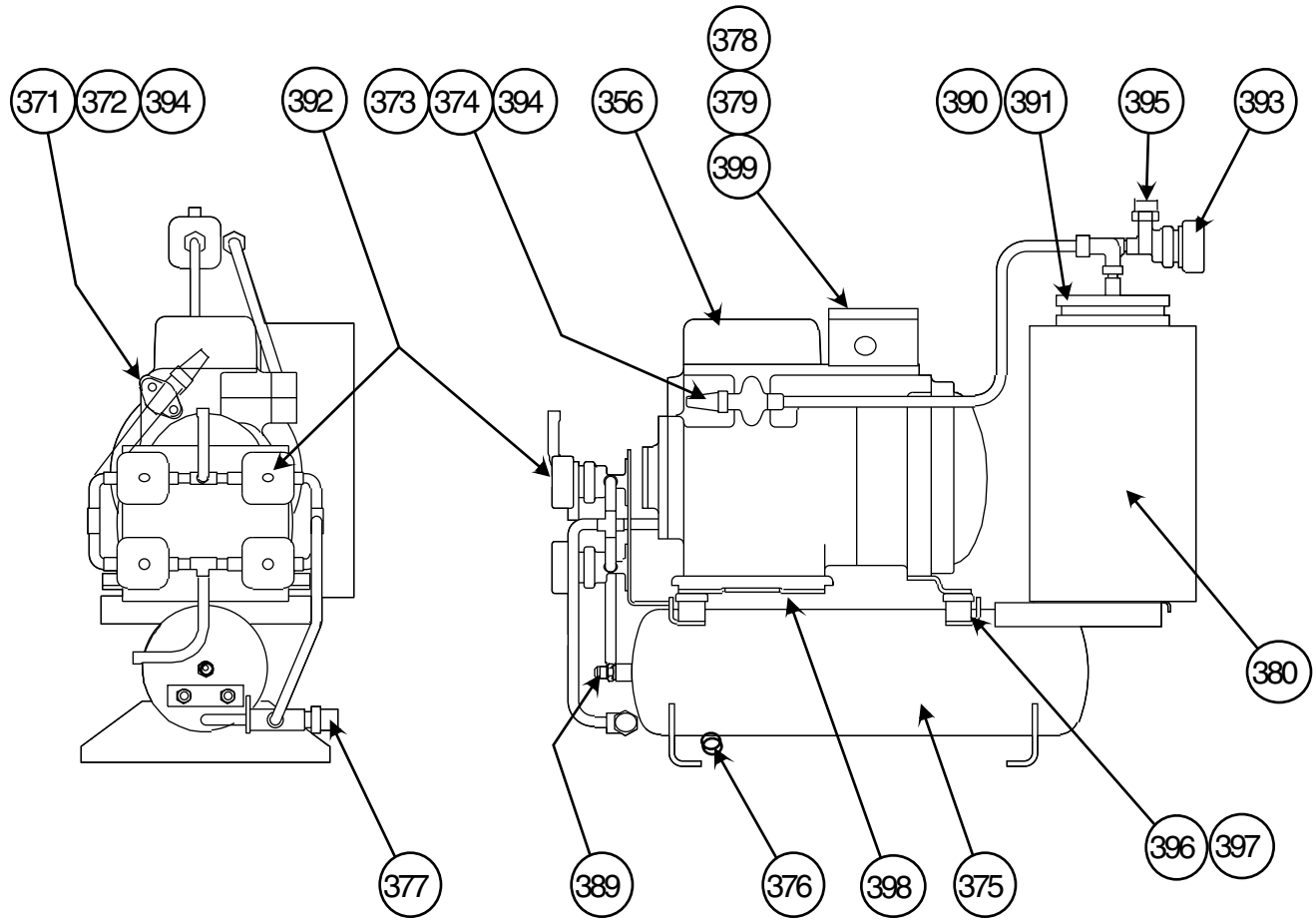
**COMPRESSOR CODE AND SHROUD TABLE**

COMPRESSOR CODE FOR COMPR. SIZE #41		SHROUD	COMPRESSOR CODE FOR COMPR. SIZE #51		SHROUD
ORIGINAL	NEW		ORIGINAL	NEW	
431	4111	A3	531	5151	A3
433	4113	A3	533	5153	A3
435	4115	A3	535	5155	A3
437	4117	A3	537	5157	A3
439	4119	A3	539	5159	A3
441	4121	A4	541	5161	A4
443	4123	A4	543	5163	A4
445	4125	A4	545	5165	A4
447	4127	A4	547	5167	A4
449	4129	A4	549	5169	A4
451	4131	A5	551	5171	A5
453	4133	A5	553	5173	A5
455	4135	A5	555	5175	A5
457	4137	A5	557	5177	A5
459	4139	A5	559	5179	A5
461	4141	A6	561	5181	A6
463	4143	A6	563	5183	A6
465	4145	A6	565	5185	A6
467	4147	A6	567	5187	A6
469	4149	A6	569	5189	A6

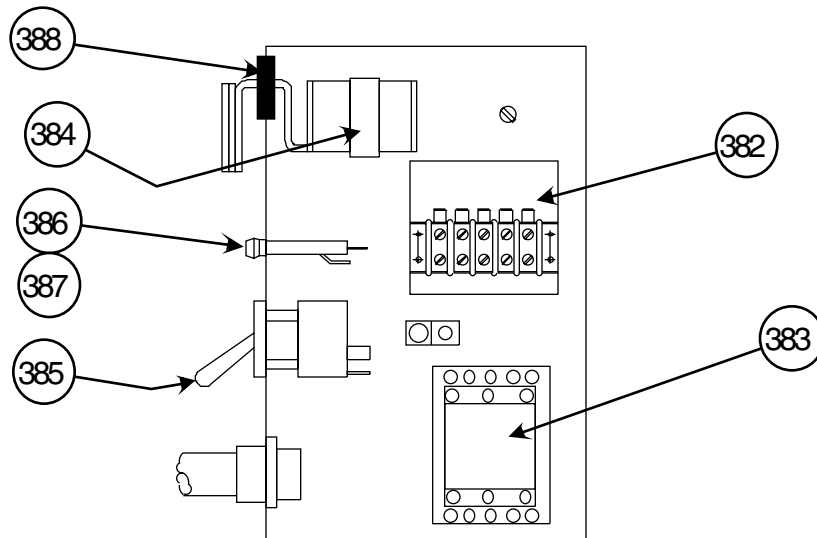




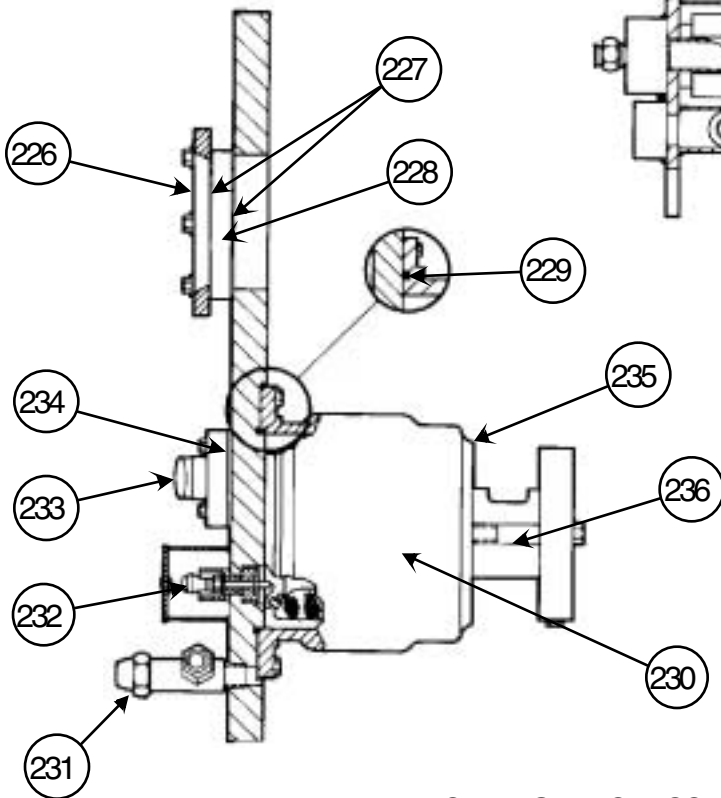
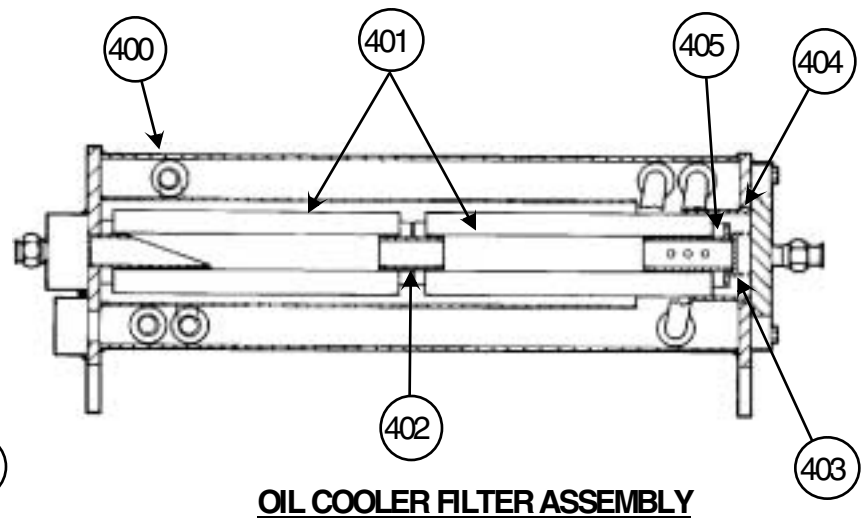
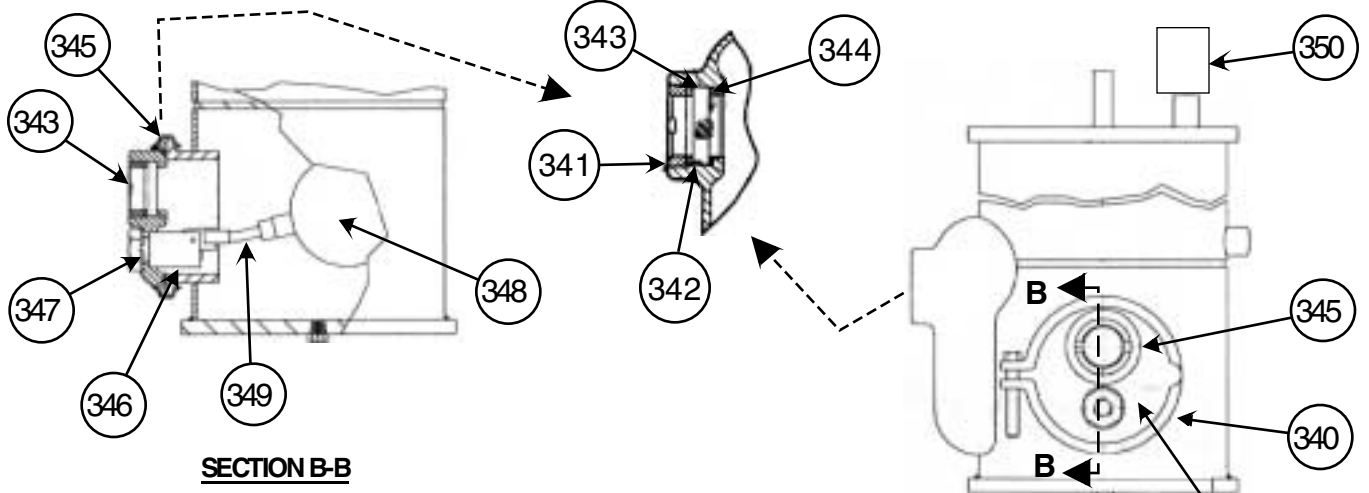


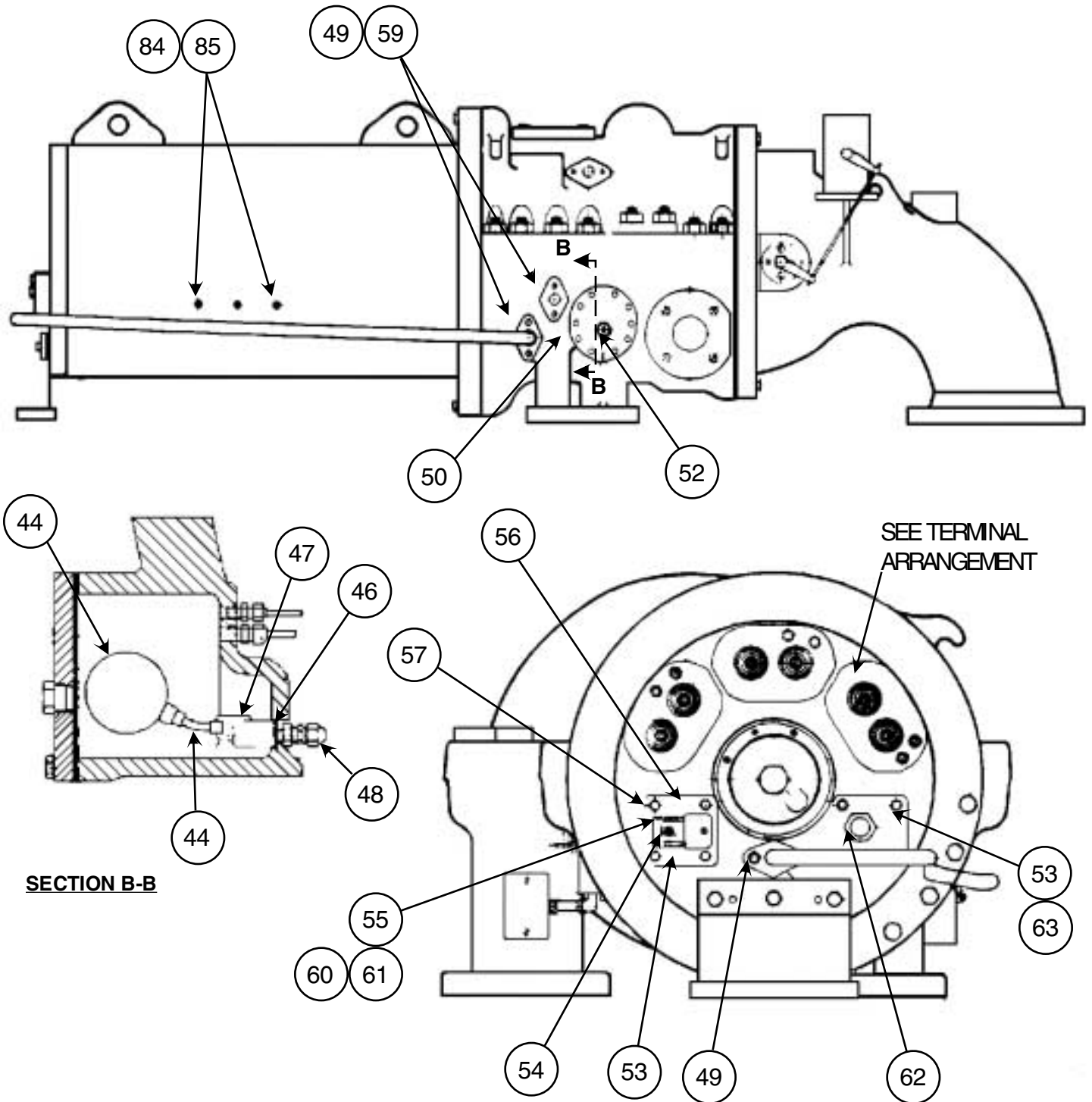


**PUMPDOWN ASSEMBLY**



**PUMPDOWN CONTROL BOX ASSEMBLY**

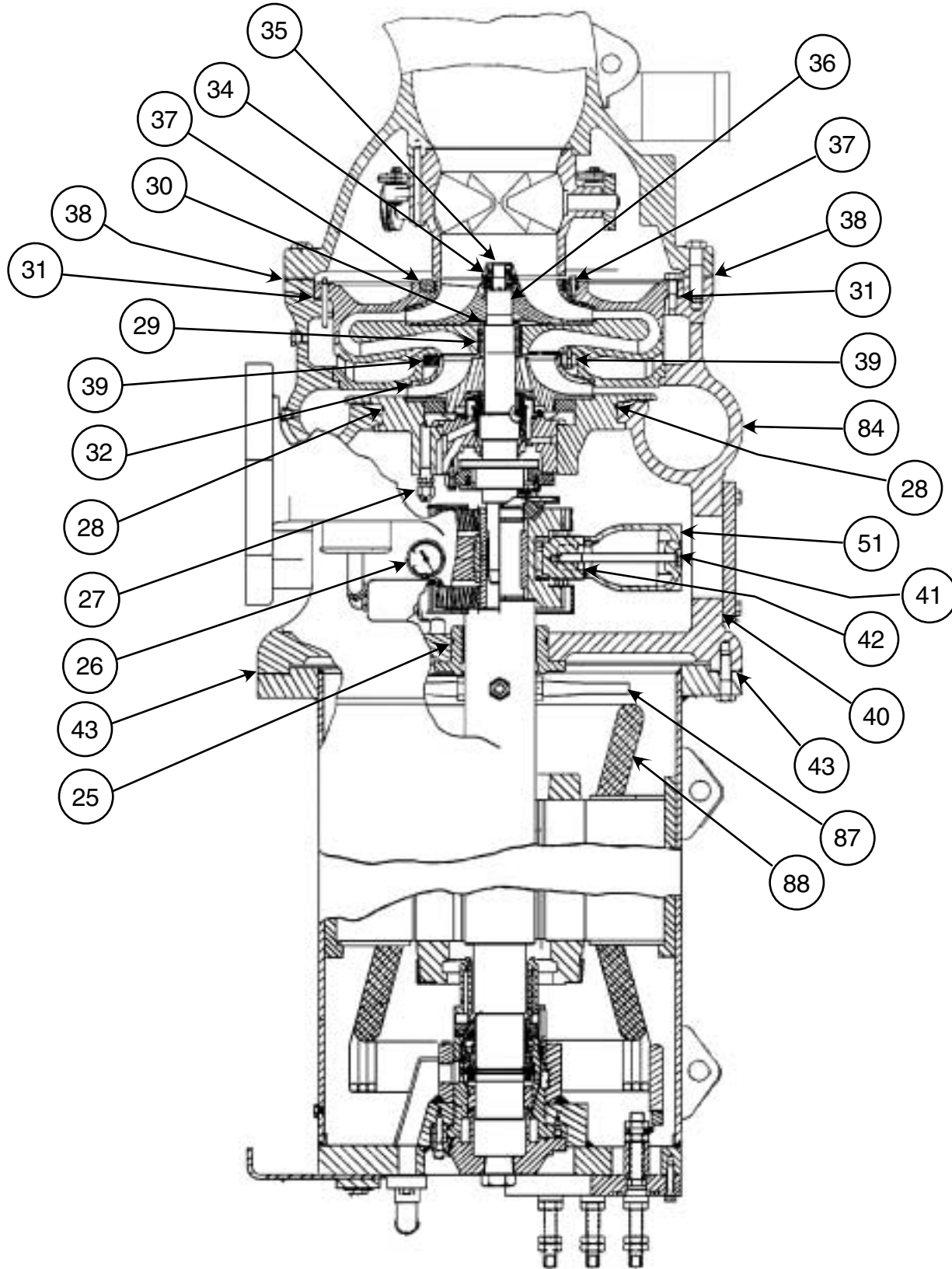




**SECTION B-B**

SEE TERMINAL  
ARRANGEMENT





Graphics Catalog

Catalog No: RCD-3519-055 (10/98)

Rev.

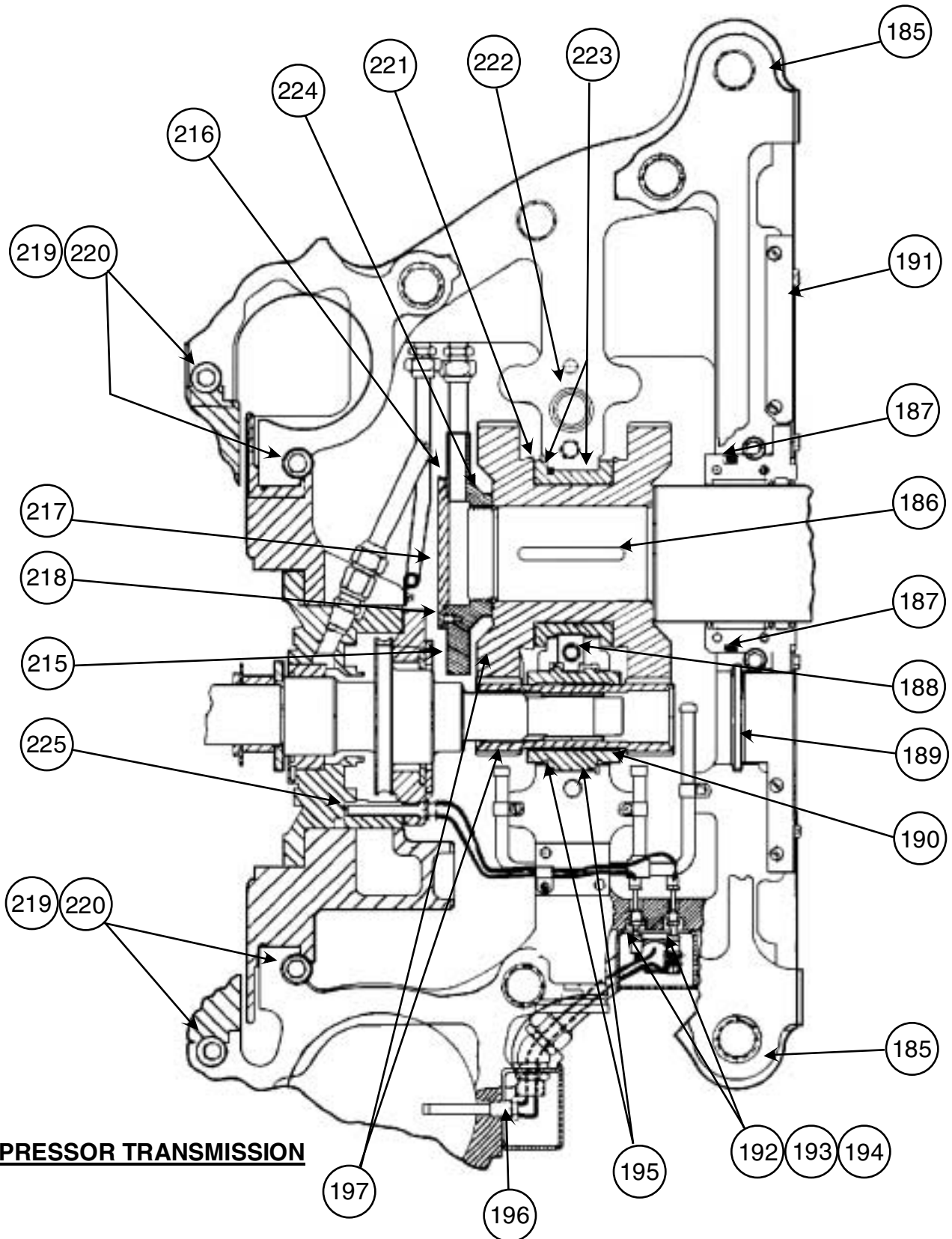
Supersedes: 551-917 (3/82)

Rev.

Note: See "Catalog Notes" on last page for explanation of symbolism.

Graphics Page: 9  
Litho in U.S.A





**COMPRESSOR TRANSMISSION**

Graphics Catalog

Catalog No: RCD-3519-055 (10/98)

Rev.

Supersedes: 551-917 (3/82)

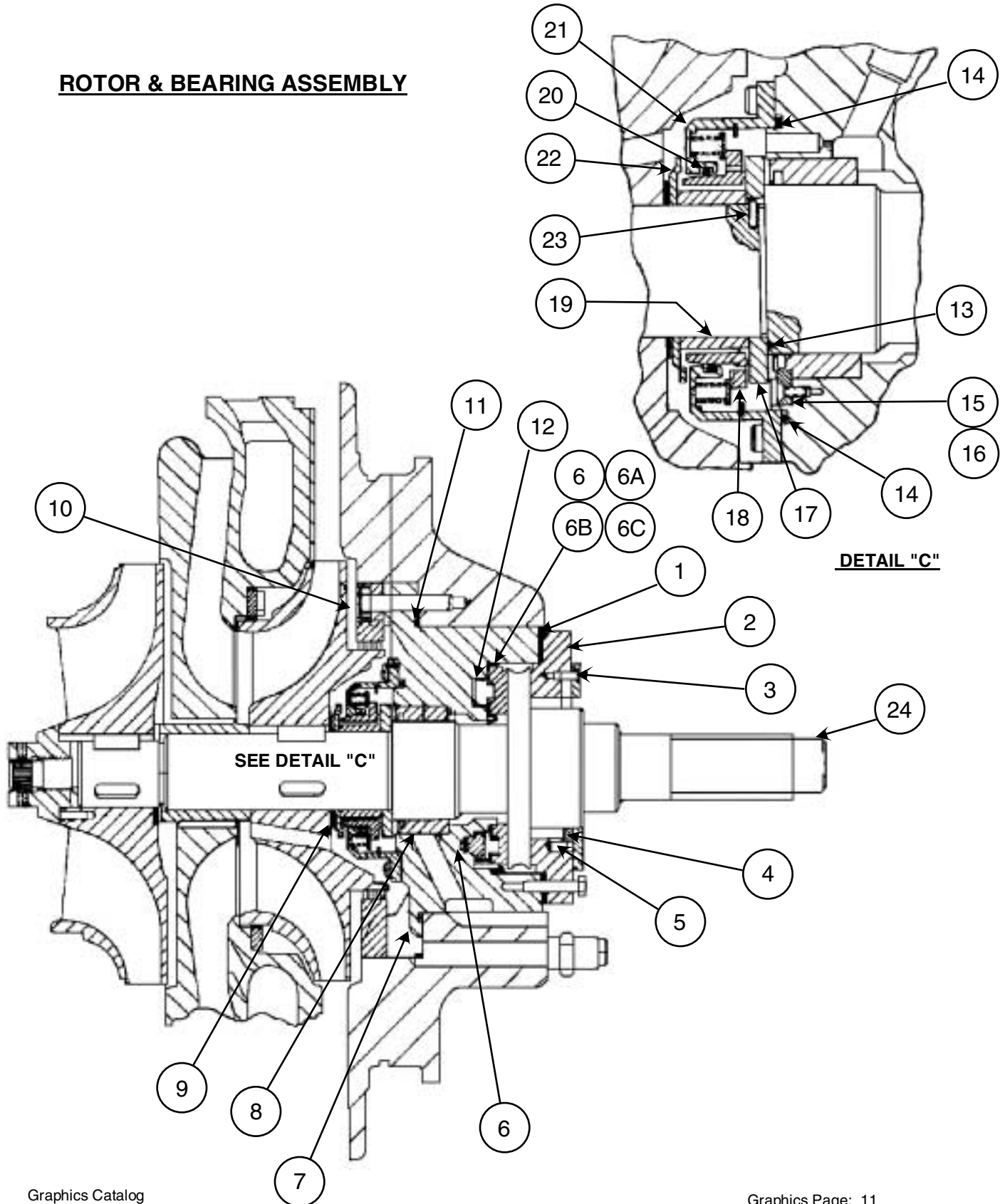
Rev.

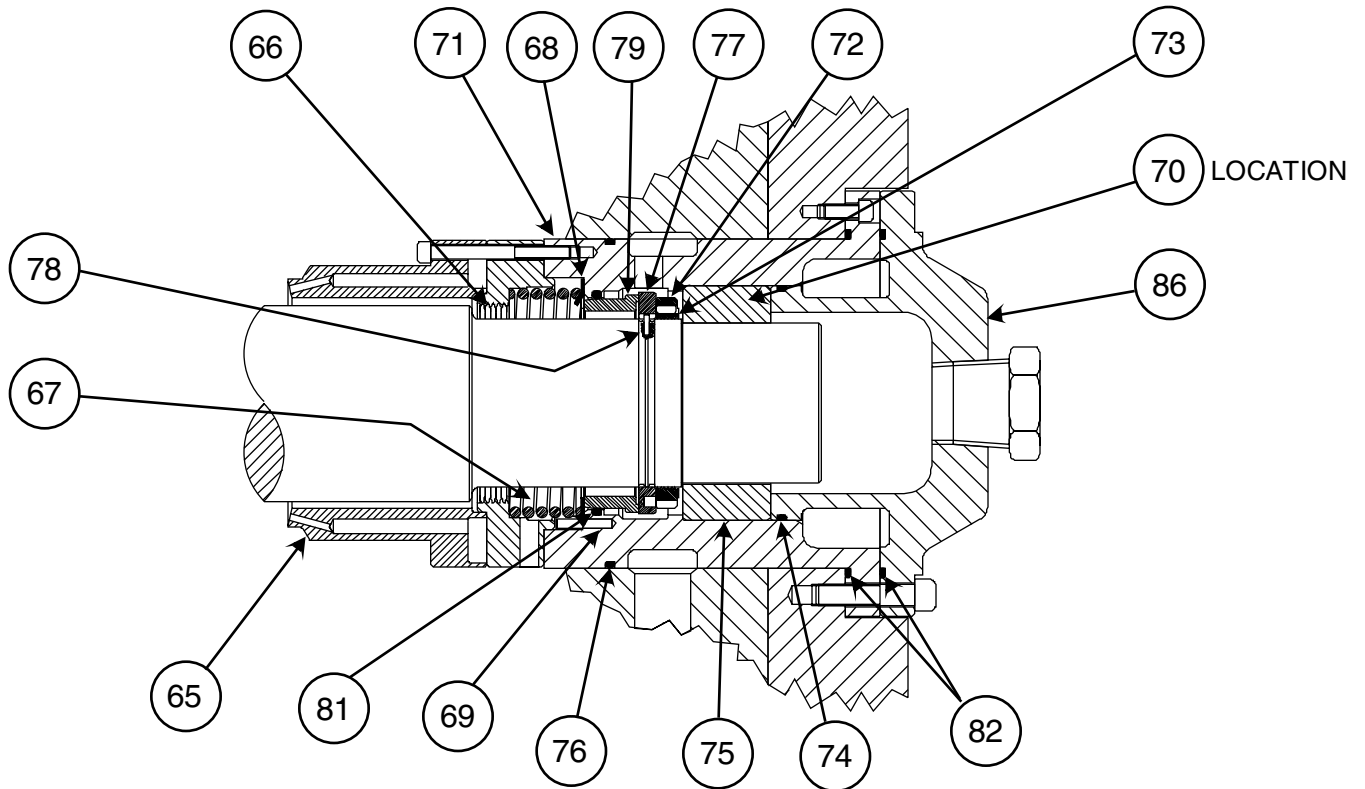
Note: See "Catalog Notes" on last page for explanation of symbolism.

Graphics Page: 10  
Litho in U.S.A



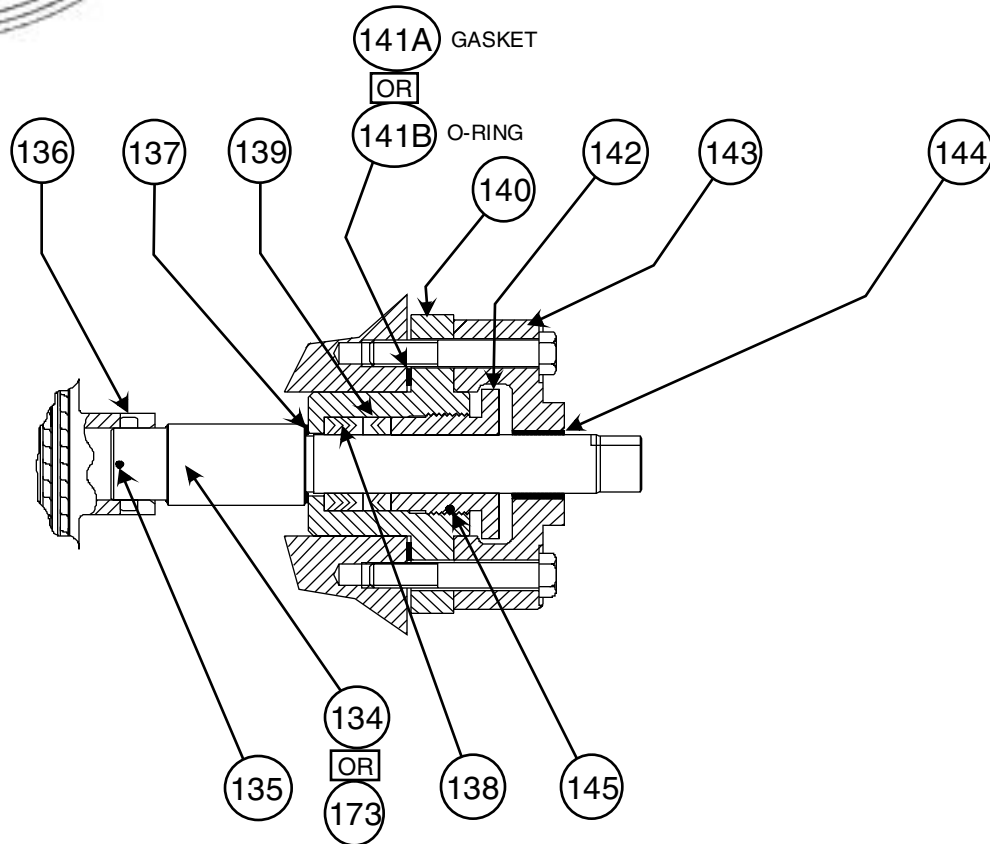
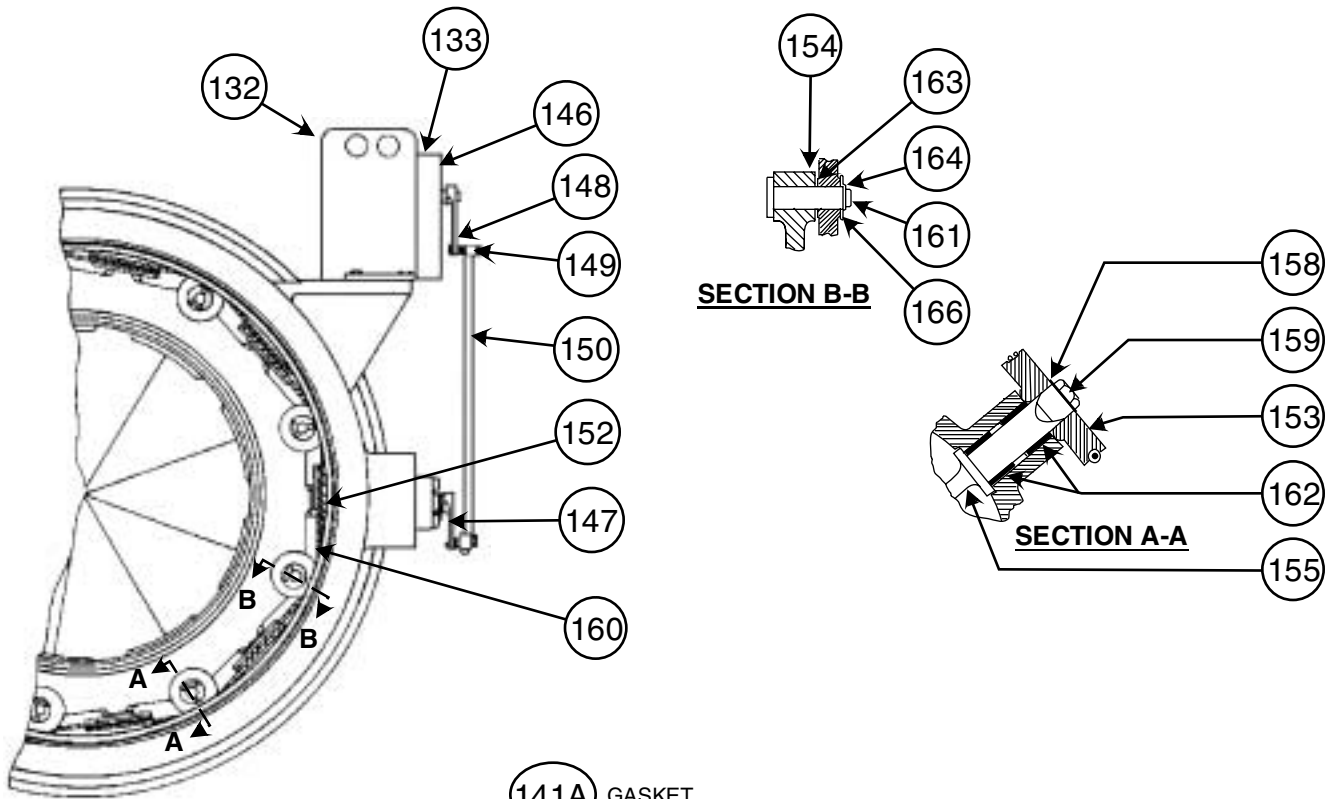
**ROTOR & BEARING ASSEMBLY**





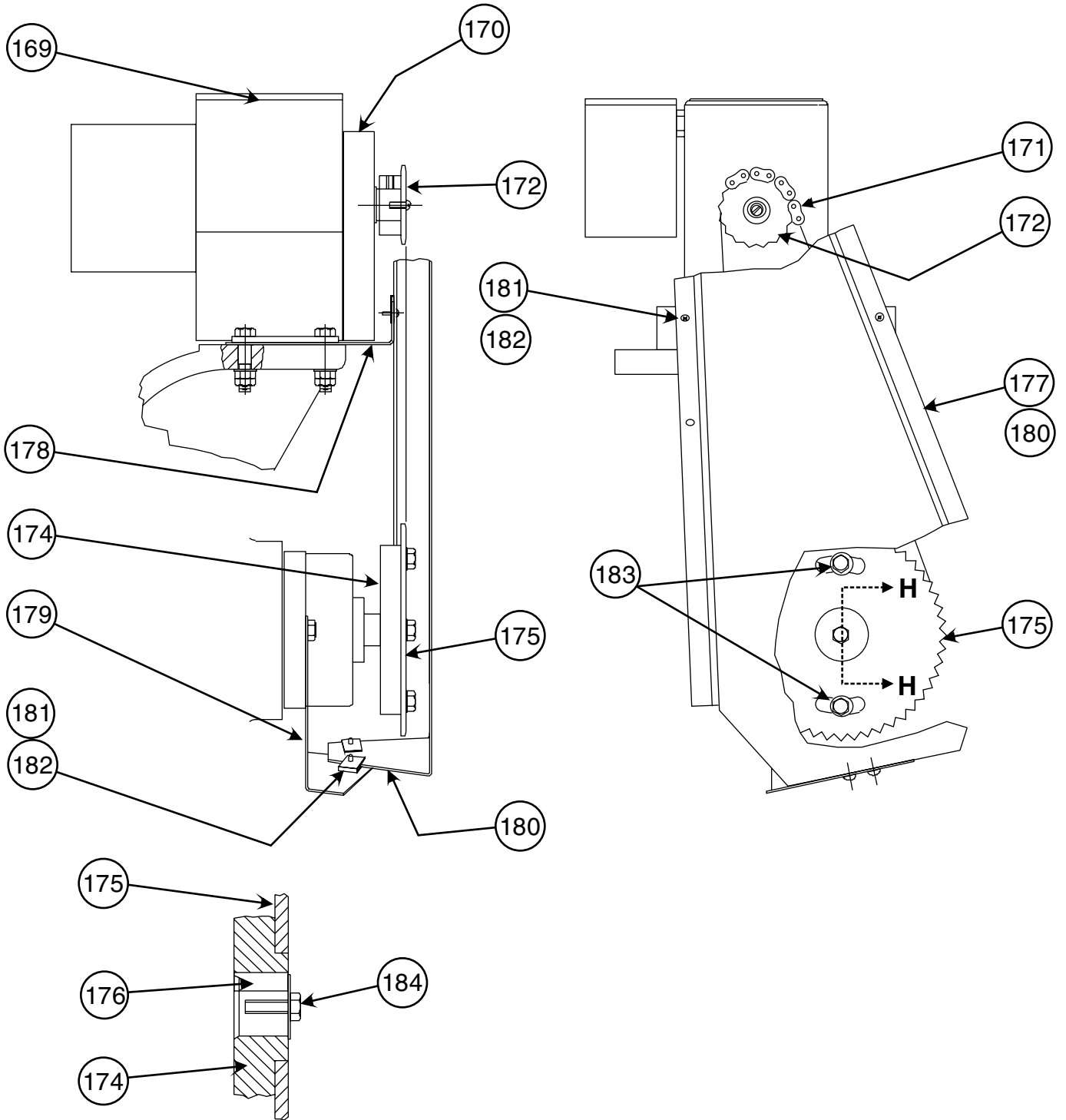
**REAR BEARING ASSEMBLY**





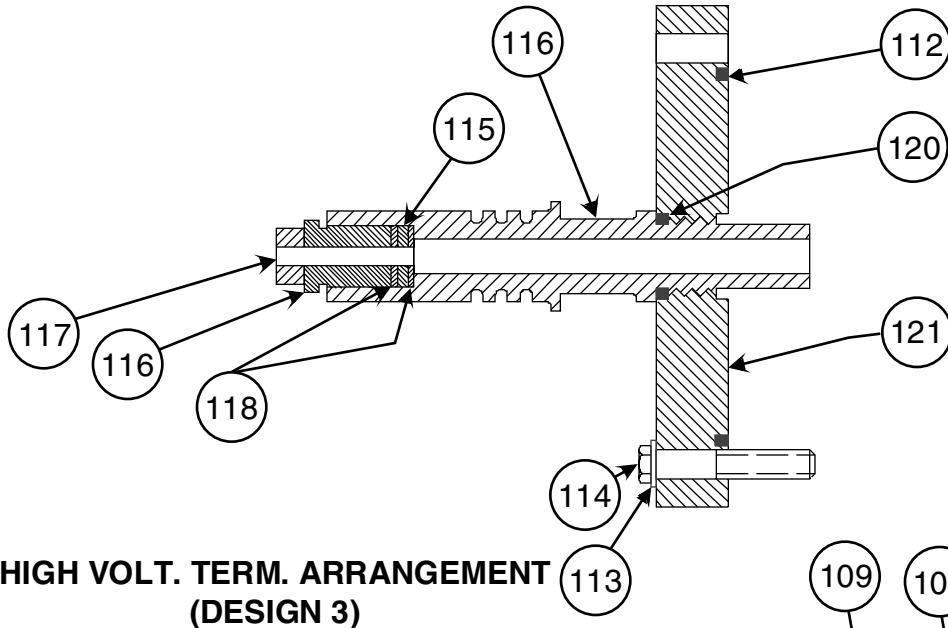
**GUIDE VANE SHAFT & SEAL ASSEMBLY**



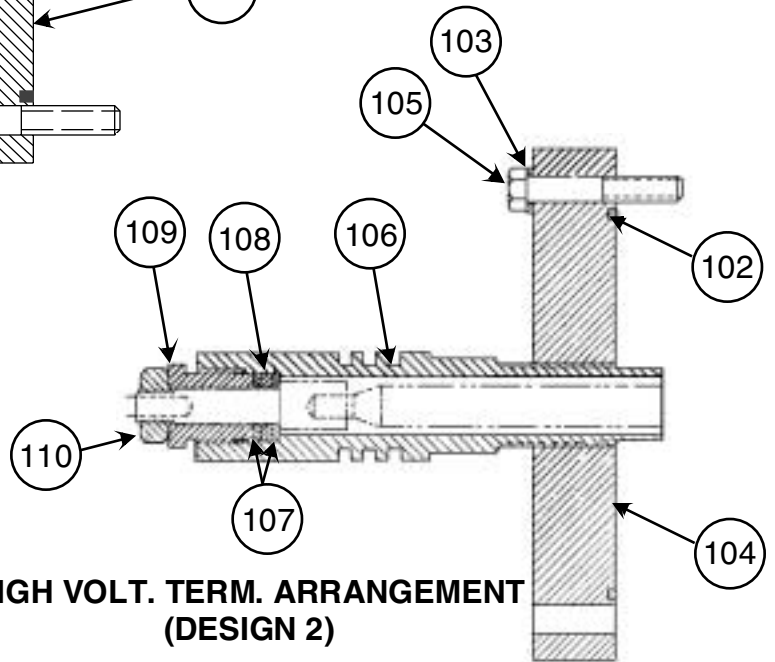


**CHAIN DRIVE GUIDE VANE ASSEMBLY**

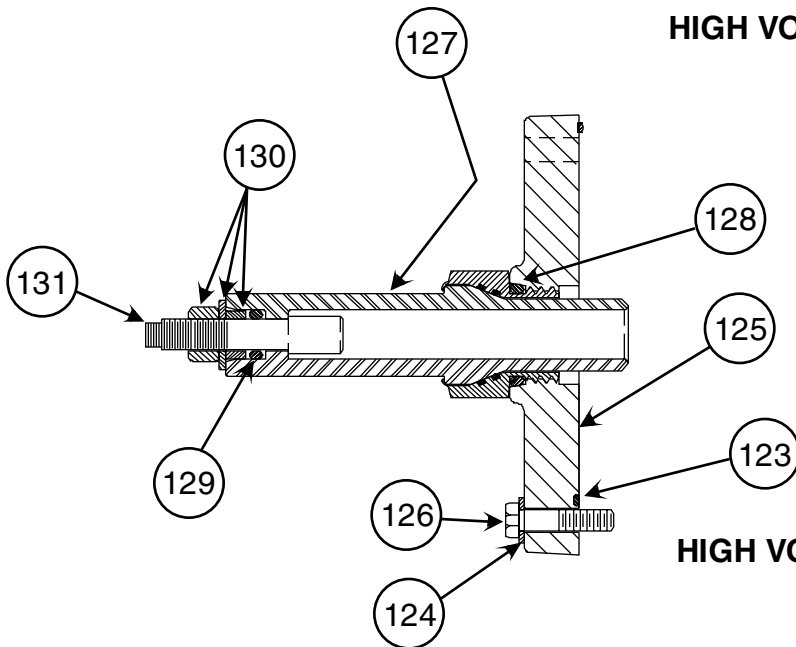




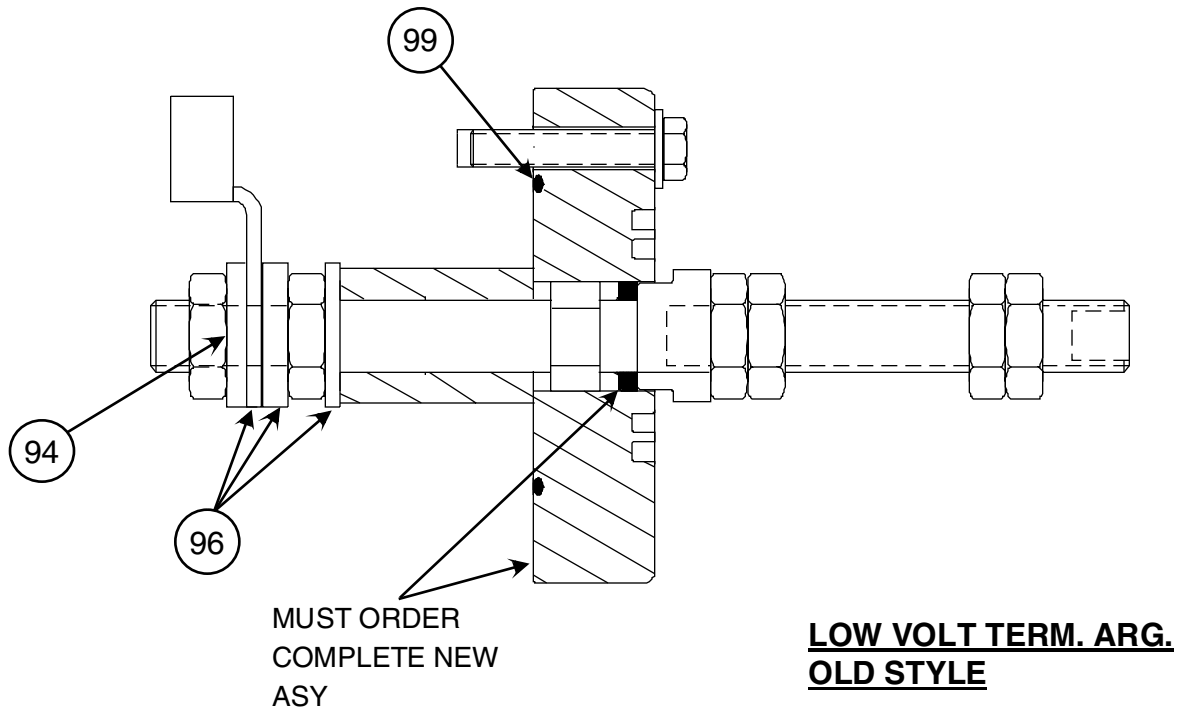
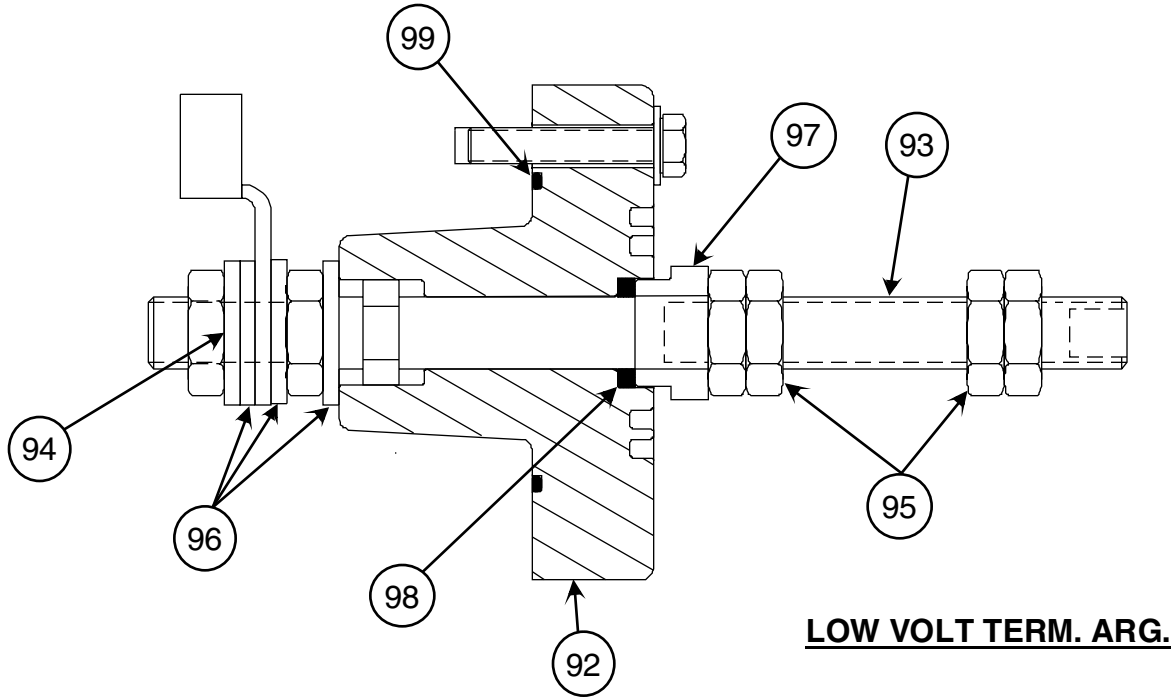
**HIGH VOLT. TERM. ARRANGEMENT  
(DESIGN 3)**

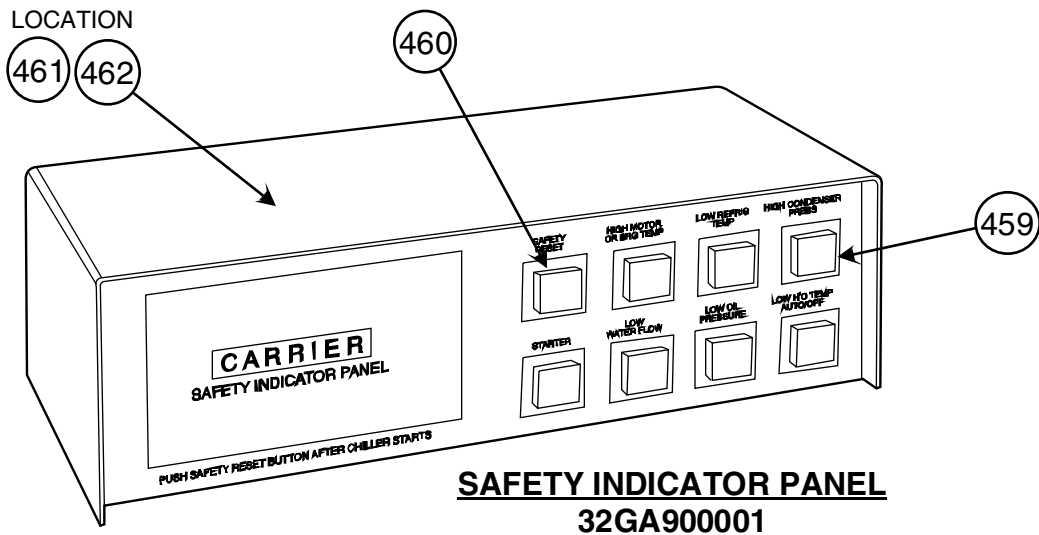
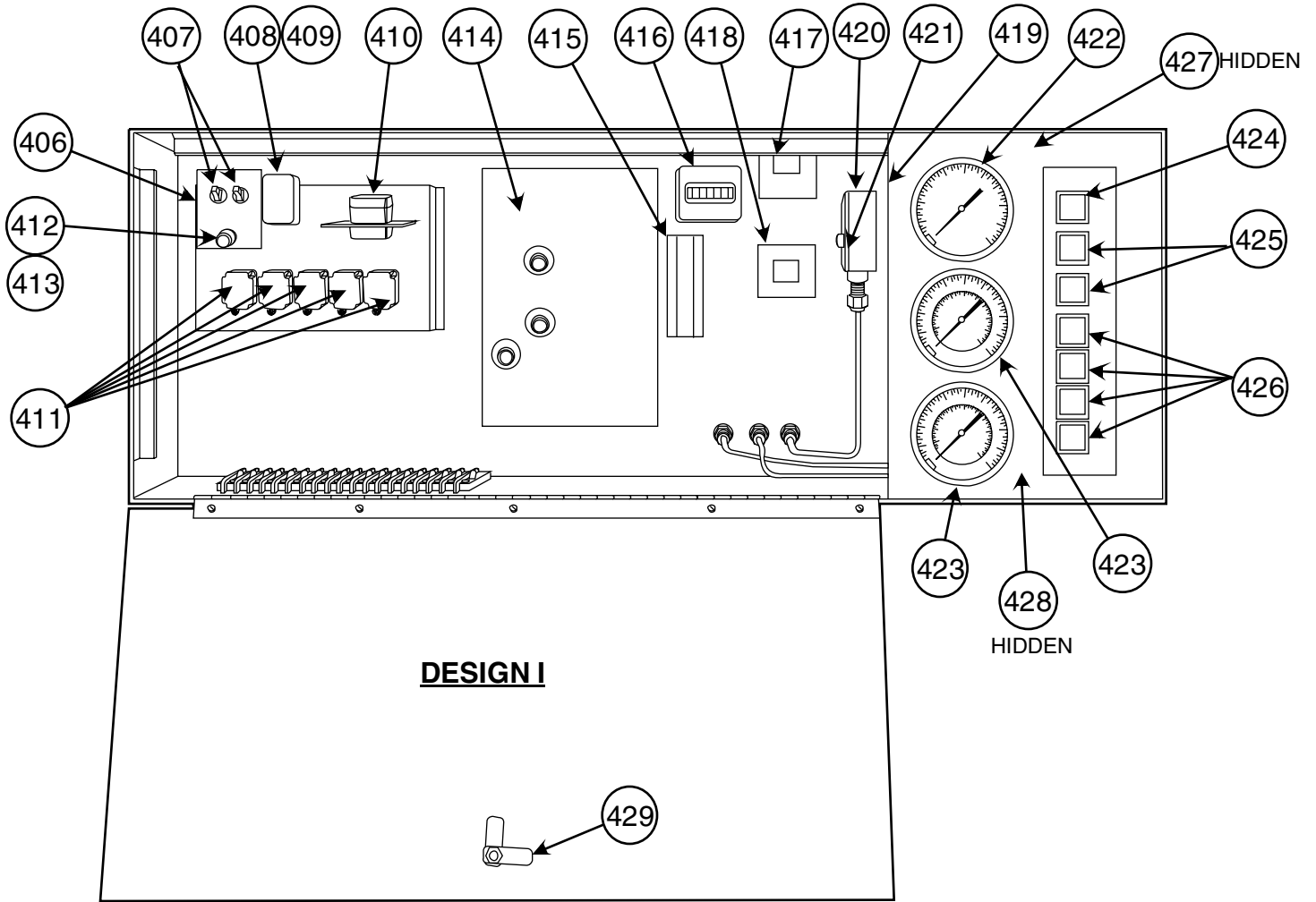


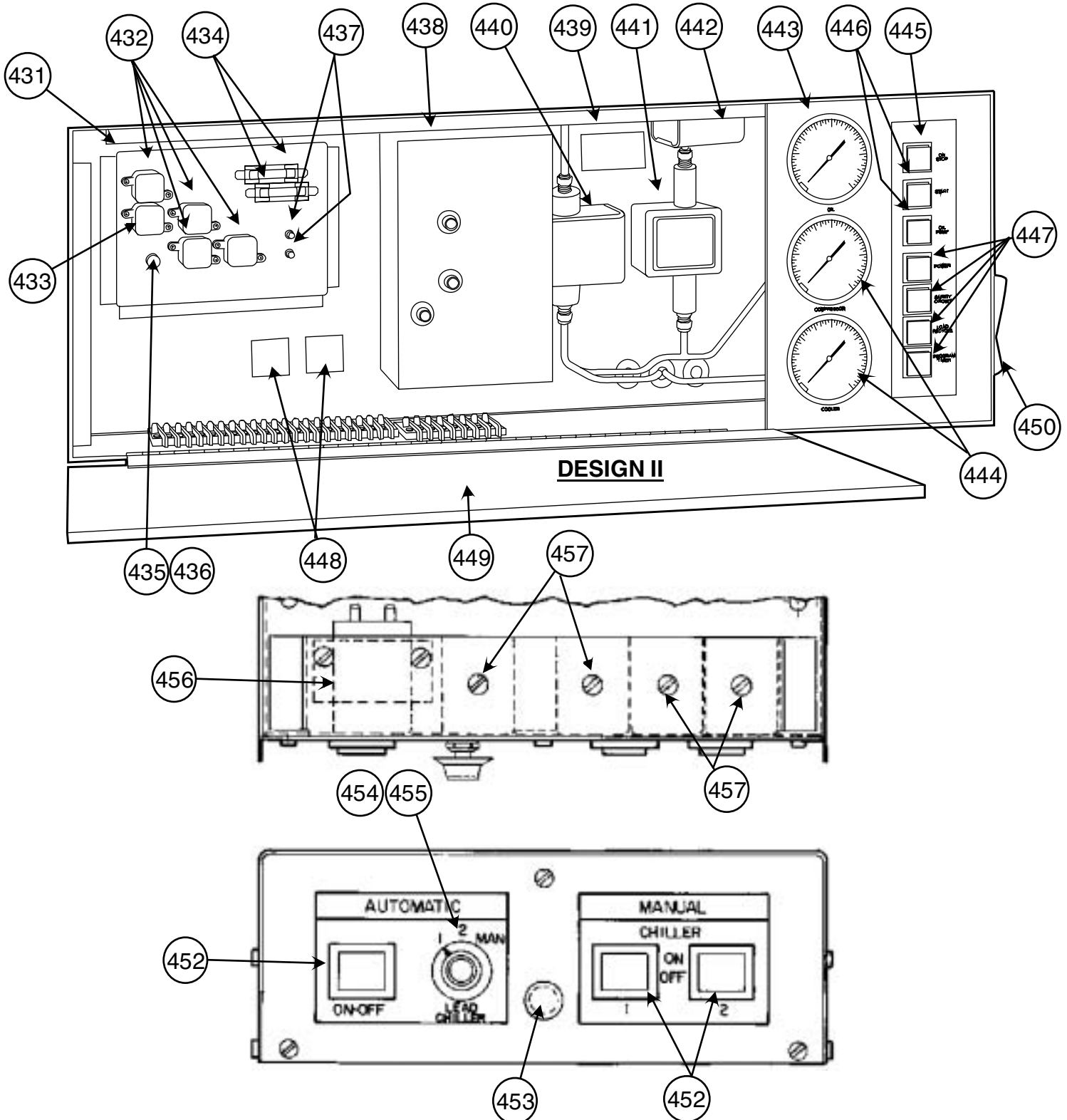
**HIGH VOLT. TERM. ARRANGEMENT  
(DESIGN 2)**



**HIGH VOLT. TERM. ARRANGEMENT  
(DESIGN 4)**







**LEAD-LAG CONTROL ASSEMBLY**  
**32SM900001**





HERMETIC CENTRIFUGAL  
CHILLER

19EA

SIZE: 004 005  
SERIES: 0

ITM	PART DESCRIPTION	19EA004	19EA005
		COMPR. SIZE	COMPR. SIZE
Sales package is designated by compr. frame size (ex. 19EA004 = FR14)			
COMPRESSOR GROUP			
1	COUNTER THRUST BEARING SHIM	19EA421332	19EA511332
2	COUNTER THRUST BEARING	19EA42153	19EA51153
3	SEAL RING RETAINER	19EA421322	19EA511322
4	SEAL RING	19EA411312	19EA511862
5	PIN	AX11AR122	->
6	ADJUSTING PAD PACKAGE	19D23841	19EA51841
6A	THRUST SHOE PKG. (COMPR. SSN 101215)	19DA33203	X
6B	THRUST SHOE PKG. (COMPR. PSN 101216)	19EA41216	X
6C	THRUST SHOE PKG.	X	19EA51473
7A	BEARING HOUSING (A3 & A4 SHROUD)	19EA41607	X
NOTE: WHEN ORDERING FOR A MACHINE SHIPPED PRIOR TO 10/73, A NEW THRUST SHOE PACKAGE (PART NUMBER 19EA41216) MUST ALSO BE ORDERED.			
7B	BEARING HOUSING (A5 & A6 SHROUD)	19EA42407	X
NOTE: WHEN ORDERING FOR A MACHINE SHIPPED PRIOR TO 10/73, A NEW THRUST SHOE PACKAGE (PART NUMBER 19EA41216) MUST ALSO BE ORDERED.			
7C	BEARING HOUSING	X	19EA51164
8A	BEARING LINER (ALL OTHERS)	19EA411342	19EA511373
8B	BEARING LINER (50HZ HI-SPEED ONLY)	19EA421353	19EA511323
9	IMPELLER SHIM, 2ND STAGE	19EA411111	19EA511882
10A	BALANCING PISTON, LABY (A3 & A4 SHROUD)	19EA421043	19EA531043
10B	BALANCING PISTON, LABY (A5 & A6 SHROUD)	19EA431043	19EA551043
11	O-RING	KK71GX066	KK71GZ087
12	LEVELING PAD (12)	19D320052	(16) 19EA520163
13	O-RING	KK71GX022	KK71GX024
14	O-RING	KK71GX037	KK71GZ051
15	KEY	19EA411091	->
16	SCREW	AC26AA080	->
17	CONTACT RING	19EA411172	19EA511172
18	SEAL RING (IMPORTANT! SEE NOTE)	19EB4121003	19EB5121012
NOTE: FOR FIRST TIME CHANGE OUT ON MACHINES SHIPPED PRIOR TO 8/81, A NEW SEAL HOUSING (ITEM 21) MUST ALSO BE ORDERED.			
19	SHAFT SLEEVE	19EA411081	19EA511892
20	O-RING	KK71GX025	KK71GX031
21	SEAL HOUSING (IMPORTANT! SEE NOTE)	19EB412102	19EB512102
NOTE: FOR FIRST TIME CHANGE OUT ON MACHINES SHIPPED PRIOR TO 8/81, A NEW SEAL RING (ITEM 18) MUST ALSO BE ORDERED.			
22	SLINGER	19EA411382	19EA511382
23	PIN	AX11AR037	->
24A	SHAFT	19EA411184	X
NOTE: USED ON MACHINES WITH COMPR. S/N PRIOR TO 100718 EXCEPT 100505, ALSO 100719, 21, 23, 24, 26, 29, 30, 33, 34, 35, 36, 39.			
24B	SHAFT	19EA422364	X
NOTE: USED ON MACHINES WITH COMPR. S/N AFTER 100717 EXCEPT 100719, 21, 23, 24, 26, 29, 30, 33, 34, 35, 36, 39.			
24C	SHAFT	X	19EA511464
25	LARYRINTH ASY	19EA412204	19EA502204
26A	OIL TEMP GAUGE (ENGLISH)	KM14BC222	->
26B	OIL TEMP GAUGE (METRIC)	KM14BC222	->
27A	CHECK VALVE (1/4" NPT)	19EA49373	19EA41373
NOTE: USED ON MACHINES WITH COMPR. S/N PRIOR TO 100718, ALSO 100719, 21, 23, 24, 26, 29, 30, 33, 34, 35, 36, 39.			
27B	CHECK VALVE (3/8" NPT)	19EA41262	->
NOTE: USED ON MACHINES WITH COMPR. S/N AFTER 100717 EXCEPT 100719, 21			

PARTS LIST CATALOG

PARTS LIST PAGE: 001

CATALOG NO.: REV.  
SUPERSEDES : REV.

NOTE: SEE "CATALOG NOTES" ON LAST PAGE FOR EXPLANATION OF SYMBOLISM.



HERMETIC CENTRIFUGAL  
CHILLER

19EA

SIZE: 004 005  
SERIES: 0

ITM	PART DESCRIPTION	19EA004	19EA005		
		COMPR. SIZE	COMPR. SIZE		
COMPRESSOR GROUP					
23, 24, 26, 29, 30, 33, 34, 35, 36, 39.					
28	O-RING	KK71GX132	KK71GX175		
29	IMPELLER SPACER	19EA411372	19EA511372		
30	1ST STAGE IMPELLER SHIM	19EA411101	19EA531882		
31	O-RING	KK71GX200	KK71GX245		
32	IMPELLER DISPLACEMENT DETECTOR	19EA6121114	->		
33	TERMINAL,DISPLACEMENT DETECTOR	(2) HY85FP041	(2) ->		
34	SET SCREW	(2) AE54FR164	(2) ->		
35	IMPELLER LOCKNUT	19EA611362	19EA512052		
36	IMPELLER KEY	(6) 19EA411151	(6) 19EA511992		
37A	LABY,1ST STAGE IMPELLER (A3 SHROUD)	19EA431413	X		
37B	LABY,1ST STAGE IMPELLER (A4 SHROUD)	19EA451413	X		
37C	LABY,1ST STAGE IMPELLER (A5 SHROUD)	19EA471413	X		
NOTE: USED ON MACHINES WITH COMPR. S/N PRIOR TO 100717, EXCEPT 100505. ALSO 100719, 21, 23, 24, 26, 29, 30, 33, 34, 35, 36.					
37D	LABY,1ST STAGE IMPELLER (A5 SHROUD)	19EA481413	X		
NOTE: USED ON MACHINES WITH COMPR. S/N AFTER 100717, EXCEPT 100719, 21, 23, 24, 26, 29, 30, 33, 34, 35, 36.					
37E	LABY,1ST STAGE IMPELLER (A6 SHROUD)	19EA411363	X		
37F	LABY,1ST STAGE IMPELLER (A3 SHROUD)	X	19EA532034		
37G	LABY,1ST STAGE IMPELLER (A4 SHROUD)	X	19EA542034		
37H	LABY,1ST STAGE IMPELLER (A5 SHROUD)	X	19EA552034		
37I	LABY,1ST STAGE IMPELLER (A6 SHROUD)	X	19EA562034		
38	SUCTION ELBOW GASKET	19EA4113131A	19EA5113131A		
39A	LABY,2ND STAGE IMPELLER (A3 SHROUD)	19EA421033	19EA532044		
39B	LABY,2ND STAGE IMPELLER (A4 SHROUD)	19EA441033	19EA542044		
39C	LABY,2ND STAGE IMPELLER (A5 SHROUD)	19EA461033	19EA552044		
39D	LABY,2ND STAGE IMPELLER (A6 SHROUD)	19EA421073	19EA562044		
40A	GASKET,INSPECTION COVER	19EA4112531A	X		
NOTE: USED ON MACHINES WITH COMPR. S/N PRIOR TO 100718, EXCEPT 100505. ALSO 100719, 21, 23, 24, 26, 29, 30, 33, 34, 35, 36.					
40B	GASKET,INSPECTION COVER	19EA4212531A	X		
NOTE: USED ON MACHINES WITH COMPR. S/N AFTER 100717, EXCEPT 100719, 21, 23, 24, 26, 29, 30, 33, 34, 35, 36.					
40C	GASKET,INSPECTION COVER	X	19EA5112531A		
41	GASKET	AU51YA015	->		
42A	O-RING	KK71GZ082	X		
NOTE: USED ON MACHINES WITH COMPR. S/N PRIOR TO 100718, EXCEPT 100505. ALSO 100719, 21, 23, 24, 26, 29, 30, 33, 34, 35, 36.					
42B	O-RING	KK71GZ100	X		
NOTE: USED ON MACHINES WITH COMPR. S/N AFTER 100717, EXCEPT 100719, 21, 23, 24, 26, 29, 30, 33, 34, 35, 36.					
42C	O-RING	X	KK71GZ100		
43	GASKET,MOTOR FLANGE	19EA4113031A	->		
44	FLOAT BALL	EC28QZ030	->		
45	FLOAT ARM	19DA11501	->		
46	RING GASKET	19DK119104233	->		
47	FLOAT VALVE	EC29MN211	->		
48	CHECK VALVE	19EA41373	->		
49A	GASKET (2 BOLT)	(2) DK29GA0051A	(2) ->		
49B	GASKET (4 BOLT)	(2) DK37GA001	(2) ->		
50	SEAL RETURN OIL GASKET	19EA4112231A	->		
51	OIL RESERVOIR	19EA411094	19EA511094		
52	SIGHT GLASS	KM36BR199	->		

PARTS LIST CATALOG

PARTS LIST PAGE: 002

CATALOG NO.: REV.  
SUPERSEDES : REV.

NOTE: SEE "CATALOG NOTES" ON LAST PAGE FOR EXPLANATION OF SYMBOLISM.



HERMETIC CENTRIFUGAL  
CHILLER

19EA

SIZE: 004 005  
SERIES: 0

ITM	PART DESCRIPTION	19EA004		19EA005	
		COMPR. SIZE		COMPR. SIZE	
<b>COMPRESSOR GROUP</b>					
53	O-RING	(2)	KK71G2041	(2)	->
54	MOTOR SENSOR TERMINAL	(3)	HY85FP041	(3)	->
55	PLATE,MOTOR SENSOR TERMINAL		19EA441232		->
56	COVER		HX08F2050		->
57	EXTENSION		HX22FS036		->
59	FLANGE		DK24CA712		->
60	FUSE HOLDER		19EA412142		->
61	FUSE (1/8 AMP) (PACKAGE OF 5)		MKB 1/8		->
62A	SIGHT GLASS (1-1/4")		KM36BQ129		->
	NOTE: USED ON MACHINES WITH COMPRESSOR S/N PRIOR TO 100440.				
62B	SIGHT GLASS (1-1/2")		KM36BZ002		->
	NOTE: USED ON MACHINES SHIPPED AFTER 5/72.				
63	SIGHT GLASS COVER		19EA421782		->
64	REAR BEARING HOUSING ASY		19EA52173		->
65	SPRAY RING		19EA511194		->
66	LABYRINTH		19EA521023		->
67	SPRING		19EA511952		->
68	PRESSURE PLATE		19EA5121013		->
69	DOWEL PIN	(3)	AX11AR130	(3)	->
70	DOWEL PIN		19EA512062		->
71	BEARING HOUSING		19EA521024		->
72	LOCKNUT		19EA511362		->
73	SCREW,SET	(2)	AF19AR100	(2)	->
74	O-RING		KK71G2041		->
75	BELL END BEARING		19EA511972		->
76	O-RING		KK71GX052		->
77	CONTACT RING		19EA511962		->
78	DOWEL PIN		AX11AR037		->
79	SEAL RING,CARBON		19EA511312		->
80	DOWEL PIN		AX11AR130		->
81	O-RING		KK71GX037		->
82	O-RING	(2)	KK71GX060	(2)	->
83	DOWEL PIN		AX35AA237		->
84	PLUG		CA63AA051		->
85	PIN		19EA631822		->
86	COVER		19EA521714		->
87	NOZZLES,ROTOR	(4)	19EA411792		X
88	MOTOR SENSOR,HI-TEMP (KLIXON,32SM)		HM12HA105		->
89	MOTOR SENSOR,HI-TEMP (32SM)		19EA660029		->
89A	SENSOR (MOTOR WINDINGS)	(2)	06EA500832	(2)	->
90	MOTOR SENSOR,HI-TEMP (32MP)		32MP500354		->
<b>TERMINAL ARRANGEMENT</b>					
91	TERMINAL ASY (LO-VOLT)		19EA660014		->
92	TERMINAL BOARD		19EA421573		->
93	TERMINAL ASY STUD	(2)	19EA42353	(2)	->
94	WASHER	(2)	AU51AS541	(2)	->
95	JAM NUT (3/4-10)	(12)	AT149A361	(12)	->
96	BRASS WASHER (3/4)	(6)	AU020A361	(6)	->
97	PACKING GLAND	(2)	19EA611142	(2)	->
98	PACKING RING	(2)	19EA412432	(2)	->
99	O-RING		KK74ZM487		->
100	TERMINAL ARG. (HI-VOLT)(DESIGN #1)		SEE NOTE		->
	NOTE: IF A COMPLETE NEW TERMINAL ASSEMBLY IS REQUIRED REFER TO SERVICE BULLETIN C9732 OR KIT NUMBERS 19EF660001 & 19EF660002.				

PARTS LIST CATALOG

PARTS LIST PAGE: 003

CATALOG NO.:                   REV.  
SUPERSEDES :                   REV.

NOTE: SEE "CATALOG NOTES" ON LAST PAGE FOR EXPLANATION OF SYMBOLISM.



HERMETIC CENTRIFUGAL  
CHILLER

19EA

SIZE: 004 005  
SERIES: 0

ITM	PART DESCRIPTION	19EA004	19EA005		
		COMPR. SIZE	COMPR. SIZE		
<b>TERMINAL ARRANGEMENT</b>					
101	TERMINAL ARG. (HI-VOLT)(DESIGN #2)	SEE NOTE	->		
	NOTE: IF A COMPLETE NEW TERMINAL ASSEMBLY IS REQUIRED REFER TO SERVICE BULLETIN C9732 OR KIT NUMBERS 19EF660001 & 19EF660002.				
102	O-RING	KK71ZR001	->		
103	PLAIN WASHER	(10) AU02AB242	(10) ->		
104	TERMINAL BOARD	19EF4021013	->		
105	HEX HEAD CAPSCREW	(10) AA06BS235	(10) ->		
106	TERMINAL INSULATOR	19FA680013	->		
107	TERMINAL RETAINER	(2) 19FA5021242	(2) ->		
108	PACKING RING	19FA5021232	->		
109	PACKING NUT	19FA680013	->		
110	JAM NUT	AT149A311	->		
111	TERMINAL ARG. (HI-VOLT)(DESIGN #3)	SEE NOTE	->		
	NOTE: IF A COMPLETE NEW TERMINAL ASSEMBLY IS REQUIRED REFER TO SERVICE BULLETIN C9732 OR KIT NUMBERS 19EF660001 & 19EF660002.				
112	QUAD RING	KK74ZM487	->		
113	WASHER,PLAIN (3/8")	(10) AU02AB242	(10) ->		
114	CAP SCREW,HEX. HEAD (3/8")	(10) AA06BS235	(10) ->		
115	PACKING RING	19FA5021232	->		
116	TERMINAL INSULATOR/PACKING NUT KIT	19EF680001	->		
117	JAM NUT	AT149A311	->		
118	TERMINAL RETAINER	(2) 19FA5021242	(2) ->		
120	O-RING	KK71GX015	->		
121	TERMINAL BOARD	19EF4021013	->		
	NOTE: THIS TERMINAL BOARD IS NLA. A NEW MOTOR TERMINAL KIT PART NUMBER NUMBER 19EF660001 OR 19EF660002 MUST BE PURCHASED. REFER TO S.B. C9732 FOR SELECTION.				
122	TERMINAL ARG. (HI-VOLT)(DESIGN #4)	SEE NOTE	->		
	NOTE: THIS IS THE LATEST DESIGN OF THE HIGH VOLTAGE TERMINAL ARRGT. THESE ARE ALSO THE PARTS INCL. IN KITS 19EF660001 & 19EF660002				
123	QUAD RING	KK74ZM487	->		
124	WASHER,PLAIN	(10) AU02AB242	(10) ->		
125A	TERMINAL BOARD (2400-4160 VOLTS)	02EX45000201	->		
125B	TERMINAL BOARD (6300 VOLTS)	02EX55000201	->		
126	CAPSCREW,HEX. HEAD	(10) AA06BS234	(10) ->		
127	TERMINAL ASY	02XB05003001	->		
128	O-RING,INNER	KK71EW235	->		
129	O-RING,OUTER	KK71EW311	->		
130	TERMINAL REBUILD KIT	19XR660018	->		
131	TERMINAL STUD	02XB05003101	->		
<b>GUIDE VANE &amp; BLADE RING</b>					
132	MOTOR ACTUATOR	HF26BB061	->		
133	POTENTIOMETER	HT24AV120	->		
134A	DRIVE PULLEY SHAFT	19EA431052	19EA531052		
	NOTE: REFER TO SERVICE BULLETIN CA-SB-19-E-76-80 BEFORE ORDERING. USED ON MACHINES WITH S/N AFTER 24149.				
134B	DRIVE PULLEY SHAFT	19EA421052	17FA5021772		
	NOTE: REFER TO SERVICE BULLETIN CA-SB-19-E-76-80 BEFORE ORDERING. USED ON MACHINES WITH S/N PRIOR TO 24150.				
135	ROLL PIN	AX14CA042	->		
136	KEY	19D211391	->		
137	WASHER	AU51YA391	->		
138	V-RING PRESSURE ASY	KK71HT016	->		
139	V-RING VACUUM ASY	KK71HT014	->		

PARTS LIST CATALOG

PARTS LIST PAGE: 004

CATALOG NO. : REV.  
SUPERSEDES : REV.

NOTE: SEE "CATALOG NOTES" ON LAST PAGE FOR EXPLANATION OF SYMBOLISM.



HERMETIC CENTRIFUGAL  
CHILLER

19EA

SIZE: 004 005  
SERIES: 0

ITM	PART DESCRIPTION	19EA004	19EA005		
		COMPR. SIZE	COMPR. SIZE		
	GUIDE VANE & BLADE RING				
140	SEAL HOUSING	19EA411022	->		
141A	GASKET,SEAL HOUSING	19EA411021LA	->		
141B	O-RING,SEAL HOUSING	KK71EW229	->		
142	SEAL RETAINER	19EA421042	->		
143	BEARING HOUSING	19EA411032	->		
144	BUSHING	KT53XL093	->		
145	PELLET	19EA411031	->		
146	CRANK ARM	19D212152	->		
	NOTE: USED ON MACHINES WITH A SERIAL NUMBER PRIOR TO 24150.				
147	CRANK ARM	19D232152	19EA512042		
	NOTE: USED ON MACHINES WITH A SERIAL NUMBER PRIOR TO 24150.				
148	LOCKWASHER	AU11AS171	->		
149	LINKAGE CONNECTOR	HF91BB125	->		
150	PUSH ROD	19EA411331	->		
151	BLADE RING ASY	X	X		
152	DRIVE PULLEY	19EA411003	19EA511003		
	NOTE: REFER TO SERVICE BULLETIN CA-SB-19-E-76-80 BEFORE ORDERING.				
153	PULLEY	(6) 19EA412142	(6) 19EA512142		
	NOTE: REFER TO SERVICE BULLETIN CA-SB-19-E-76-80 BEFORE ORDERING.				
154	IDLER PULLEY PKG	(7) 19D211252	(7) 19C47771		
155	PRE-WHIRL BLADE PKG	(7) 19EA660016	(7) 19EA660017		
	NOTE: REFER TO SERVICE BULLETIN CA-SB-19-E-76-80 BEFORE ORDERING.				
156	BLADE	19EA660016	19EA660017		
157	PULLEY	19EA412142	19EA512142		
158	WASHER	19EA412592	->		
159	BOLT	AA13BR294	AA13BR295		
160	CABLE ASY	19EA43102	19EA51102		
161	PIN	(7) 19EA431001	(7) 19EA512022		
162	BUSHING	(14) KT53XL093	(14) KT53XL102		
163	BUSHING	(7) KT53XL055	(7) KT53XL065		
164	RETAINING RING	(14) AU48AR061	(14) AU48AR062		
166	THRUST WASHER	X	AU02AA332		
167	GUIDE VANE CHAIN DRIVE KIT	X	19EA51621		
	NOTE: THIS KIT CAN BE USED TO CONVERT TO A CHAIN DRIVE. SEE SERVICE BULLETIN CA-SB-19-E-76-80.				
168	GUIDE VANE DRIVE KIT(USE W/ITEM 167)	19EA660006	->		
	NOTE: USED IN CONJUNCTION WITH CHAIN DRIVE KIT TO PROVIDE MORE SECURE FASTENING. SEE BULLETIN F.E.R. 74.5				
169	ACTUATOR MOTOR (CHAIN DRIVE)(SEE NOTE)	X	19EB511123		
	NOTE: THIS REPLACEMENT ACTUATOR COMES WITH A 7/8" DIA SHAFT. IF A 1/2" SHAFT IS DESIRED YOU MUST REMOVE THE SHAFT SLEEVE.				
170	POTENTIOMETER (CHAIN DRIVE)	X	HT24AZ120		
171	ACTUATOR CHAIN (CHAIN DRIVE)	X	19FA660016		
172A	ACTUATOR SPROCKET(1/2" BORE,CHAIN DR	X	17FA5021692		
172B	ACTUATOR SPROCKET(7/8" BORE,CHAIN DR	X	17FA5021712		
173	DRIVE PULLEY SHAFT (CHAIN DRIVE)	X	19EA531052		
174	HUB SPROCKET (CHAIN DRIVE)	X	17FA5021583		
175	SPROCKET GUIDE VANE (CHAIN DRIVE)	X	17FA5121543		
176	KEY (CHAIN DRIVE)	X	19D211391		
177	CHAIN GUARD ASY (CHAIN DRIVE)	X	19EA660007		
178	BRACKET-UPPER (CHAIN DRIVE)	X	19EA511513		
179	BRACKET-LOWER (CHAIN DRIVE)	X	19EA511523		
188	CHAIN GUARD (CHAIN DRIVE)	X	17FA512303		
181	SPEED NUT (CHAIN DRIVE)	X	(4) AS41BS052		

PARTS LIST CATALOG

PARTS LIST PAGE: 005

CATALOG NO.: REV.  
SUPERSEDES : REV.

NOTE: SEE "CATALOG NOTES" ON LAST PAGE FOR EXPLANATION OF SYMBOLISM.



HERMETIC CENTRIFUGAL  
CHILLER

19EA

SIZE: 004 005  
SERIES: 0

ITM	PART DESCRIPTION	19EA004	19EA005		
		COMPR. SIZE	COMPR. SIZE		
	GUIDE VANE & BLADE RING				
182	SCREW (CHAIN DRIVE)	X	(4) AL56AU215		
183	SCREW (3/8-16 X 7/8)	X	(2) AA06BR229		
184	SCREW (1/4-20 X 5/8)	X	AA06BR167		
	COMPRESSOR TRANSMISSION ASSEMBLY				
185A	SPLITLINE GASKET PKG	19EA660024	X		
	NOTE: USED ON MACHINES WITH COMPR. S/N PRIOR TO 100718, EXCEPT 100505, ALSO 100719, 21, 23, 24, 26, 29, 30, 33, 34, 35, 36, 39.				
185B	SPLITLINE GASKET PKG	19EA660025	X		
	NOTE: USED ON MACHINES WITH COMPR. S/N AFTER 100717, EXCEPT 100719, 21 23, 24, 26, 29, 30, 33, 34, 35, 36, 39.				
185C	SPLITLINE GASKET PKG	X	19EA660026		
186	PINION KEY	(2) 19D311411	(2) 19EA511922		
187	O-RING	KK71GX051	KK71GX055		
188A	BEARING ANTI-ROTATION KEY	19EA411161	X		
	NOTE: USED ON MACHINES WITH COMPR. S/N PRIOR TO 100718, EXCEPT 100505, ALSO 100719, 21, 23, 24, 26, 29, 30, 33, 34, 35, 36, 39.				
188B	BEARING ANTI-ROTATION KEY	19EA412252	X		
	NOTE: USED ON MACHINES WITH COMPR. S/N AFTER 100717, EXCEPT 100719, 21 23, 24, 26, 29, 30, 33, 34, 35, 36, 39.				
188C	BEARING ANTI-ROTATION KEY	X	19EA512002		
189A	DISC	19EA411452	X		
	NOTE: USED ON MACHINES WITH COMPR. S/N PRIOR TO 100718, EXCEPT 100505, ALSO 100719, 21, 23, 24, 26, 29, 30, 33, 34, 35, 36, 39.				
189B	DISC	19EA421452	X		
	NOTE: USED ON MACHINES WITH COMPR. S/N AFTER 100717, EXCEPT 100719, 21 23, 24, 26, 29, 30, 33, 34, 35, 36, 39.				
189C	DISC	X	19EA511452		
190A	PINION BEARING (60HZ)	19EA41214	X		
	NOTE: USED ON MACHINES WITH COMPR. S/N PRIOR TO 100718, EXCEPT 100505, ALSO 100719, 21, 23, 24, 26, 29, 30, 33, 34, 35, 36, 39.				
190B	PINION BEARING (50HZ)	19EA42224	X		
	NOTE: USED ON MACHINES WITH COMPR. S/N PRIOR TO 100718, EXCEPT 100505, ALSO 100719, 21, 23, 24, 26, 29, 30, 33, 34, 35, 36, 39.				
190C	PINION BEARING (50/60HZ)	19EA41438	X		
	NOTE: USED ON MACHINES WITH COMPR. S/N AFTER 100717, EXCEPT 100719, 21 23, 24, 26, 29, 30, 33, 34, 35, 36, 39.				
190D	PINION BEARING (50/60HZ)	X	19EA51214		
191	WINDAGE BAFFLE	19EA4121003	19EA5121003		
192	TERMINAL	(2) HY85FP041	(2) ->		
193	FUSE HOLDER	(2) 19EA412142	(2) ->		
194	FUSE	MKB-1/8	->		
195	O-RING	(2) KK71GX050	(2) KK71GX052		
196	SENSOR ASY	19EA660028	->		
197A	GEAR PKG (60HZ) (R12 & R500)	19EA42831	X		
	NOTE: USED ON MACHINES WITH COMPR. S/N PRIOR TO 100718, EXCEPT 100505, ALSO 100719, 21, 23, 24, 26, 29, 30, 33, 34, 35, 36, 39.				
197B	GEAR PKG (50HZ) (R12 & R500)	19EA44831	X		
	NOTE: USED ON MACHINES WITH COMPR. S/N PRIOR TO 100718, EXCEPT 100505, ALSO 100719, 21, 23, 24, 26, 29, 30, 33, 34, 35, 36, 39. IMPORTANT! IF ORDERING THIS PART FOR THE FIRST TIME A NEW SHAFT, PART NUMBER 19EA421464 MUST BE ORDERED.				
197C	GEAR PKG (60HZ) (R12 & R500)	19EA43831	X		
	NOTE: USED ON MACHINES WITH COMPR. S/N AFTER 100717, EXCEPT 100719, 21 23, 24, 26, 29, 30, 33, 34, 35, 36, 39.				

PARTS LIST CATALOG

PARTS LIST PAGE: 006

CATALOG NO.:                   REV.  
SUPERSEDES:                   REV.

NOTE: SEE "CATALOG NOTES" ON LAST PAGE FOR EXPLANATION OF SYMBOLISM.



HERMETIC CENTRIFUGAL  
CHILLER

19EA

SIZE: 004 005  
SERIES: 0

ITM	PART DESCRIPTION	19EA004	19EA005		
		COMPR. SIZE	COMPR. SIZE		
<b>COMPRESSOR TRANSMISSION ASSEMBLY</b>					
197D	GEAR PKG (50HZ) (R12 & R500)	19EA45831	X		
	NOTE: USED ON MACHINES WITH COMPR. S/N AFTER 100717, EXCEPT 100719, 21 23, 24, 26, 29, 30, 33, 34, 35, 36, 39.				
197E	GEAR PKG (60HZ) (R12 & R500)	X	19EA51831		
197F	GEAR PKG (50HZ) (R12 & R500)	X	19EA56831		
197G	GEAR PKG (50HZ HI-SPD) (R134A)	19EA46831	19EA52831		
197H	GEAR PKG (60HZ LO-SPD)(54HZ)(R134A)	19EA45831-13	19EA56831-13		
198 N	GEAR SHROUD KIT (60HZ)	19EA660053	X		
	NOTE: KIT USED FOR REPLACEMENT OF STANDARD 60HZ GEAR SHROUD ONLY.				
199 N	UPPER SHROUD,MOTOR END (60HZ)	19EA41377	X		
200 N	UPPER SHROUD,COMPR. END (60HZ)	19EA41387	X		
201 N	LOWER SHROUD,MOTOR END (60HZ)	19EA43377	X		
202 N	LOWER SHROUD,COMPR. END (60HZ)	19EA43387	X		
203 N	GEAR SHROUD KIT (50HZ/54HZ)	19EA660051	X		
	NOTE: KIT USED FOR 60HZ CONVERSION TO 134A REFRIGERANT AND REPLACEMENT OF STANDARD 50HZ GEAR SHROUD.				
204 N	UPPER SHROUD,MOTOR SIDE (50HZ/54HZ)	19EA46377	X		
205 N	UPPER SHROUD,COMPR. SIDE (50HZ/54H)	19EA46387	X		
206 N	LOWER SHROUD,MOTOR SIDE (50HZ/54HZ)	19EA48377	X		
207 N	LOWER SHROUD,COMPR. SIDE (50HZ/54H)	19EA48387	X		
208 N	GEAR SHROUD KIT (50HZ HI-SPD)	19EA660052	X		
	NOTE: KIT USED FOR 50HZ CONVERSION TO 134A REFRIGERANT ONLY.				
209 N	UPPER SHROUD,MOTOR END (50HZ HI-SP)	19EA42128	X		
210 N	UPPER SHROUD,COMPR. END (50HZ HI-S)	19EA42168	X		
211 N	LOWER SHROUD,MOTOR END (50HZ HI-S)	19EA42428	X		
212 N	LOWER SHROUD,COMPR. END (50HZ HI-S)	19EA42398	X		
213 N	SCREW (1/4-20 X 2-3/4)	(3) AA13BR178	X		
214 N	SCREW (1/4-20 X 3)	(3) AA13BR179	X		
215A	DEMISTOR (GEAR LOCKNUT)	19EA411063	X		
	NOTE: USED ON MACHINES WITH COMPR. S/N PRIOR TO 100718, EXCEPT 100505, ALSD 100719, 21, 23, 24, 26, 29, 30, 33, 34, 35, 36, 39.				
215B	DEMISTOR (GEAR LOCKNUT)	19EB4121013	X		
	NOTE: USED ON MACHINES WITH COMPR. S/N AFTER 100717, EXCEPT 100719, 21 23, 24, 26, 29, 30, 33, 34, 35, 36, 39.				
215C	DEMISTOR (GEAR LOCKNUT)	X	19EA411063		
216	O-RING	KK71GU0311A	->		
217	COVER,DEMISTER	19EA411152	->		
218	SCREW (#10-24 X 1/2)	(6) AC26AA126	(6) ->		
219	WASHER,PLAIN (3/8)	AU01AA242	->		
220	SCREW (3/8-16 X 3/4)	AA06BR228	->		
221A	BEARING ASY(ALL OTHERS)	19EA41204	19EA51204		
221B	BEARING ASY(50HZ HI-SPEED,R134A ONLY)	19EA41494	19EA51494		
222	O-RING	KK71GX014	->		
223	O-RING	(2) KK71GX050	(2) KK71GX052		
224	SET SCREW	AF11CA164	->		
225	SENSOR ASY	19FA660028	->		
<b>OIL RESERVOIR COVER ASSEMBLY</b>					
226	SIGHT GLASS COVER	17DA811822	->		
227	SIGHT GLASS GASKET	(2) KM39BT041	(2) ->		
228	SIGHT GLASS (REFLEX)	KM39BT031	->		
229A	O-RING	KK71GZ065	->		
	NOTE: ORDER FOR MACHINES SHIPPED PRIOR TO 4/72.				
229B	O-RING	KK71PR055	->		
	NOTE: ORDER FOR MACHINES SHIPPED AFTER 4/72.				

PARTS LIST CATALOG

PARTS LIST PAGE: 007

CATALOG NO. : REV.  
SUPERSEDES : REV.

NOTE: SEE "CATALOG NOTES" ON LAST PAGE FOR EXPLANATION OF SYMBOLISH.



HERMETIC CENTRIFUGAL  
CHILLER

19EA

SIZE: 004 005  
SERIES: 0

ITM	PART DESCRIPTION	19EA004	19EA005		
		COMPR. SIZE	COMPR. SIZE		
<b>OIL RESERVOIR COVER ASSEMBLY</b>					
230A	OIL PUMP ASY (ALL OTHER VOLTAGES)	19EA511223	->		
230B	OIL PUMP ASY (550V-60HZ)	19EA531223	->		
231	ANGLE VALVE	EP231A155	->		
232	TERMINAL PKG	19DA660003	->		
233	RELIEF VALVE,OIL PRESSURE	19EA411123	->		
234	GASKET	(2) DK29GA0051A	(2) ->		
235	O-RING,MOTOR COVER	KK71PR050	->		
236	PUMP VANES	(4) 19EA517012	(4) ->		
<b>MACHINE ARRANGEMENT &amp; PIPING</b>					
236A	GASKET,RESERVOIR VENT LINE	CT99GX351	->		
237	DISCHARGE GASKET	19EA4112921A	19EA5112921A		
238	STEAM COCK,OIL COOLER	EV01AM041	->		
239	SOLENOID VALVE	EF11CH182	->		
240	ANGLE VALVE	EP231C090	->		
241	LOW TEMP CHILLED WATER CUT OUT	19EA660027	->		
242	CHILLED WATER SENSOR & WELL ASY	32SM500234	->		
243	SENSOR	32SM600001	->		
244 N	COOLER TUBE PART NUMBER & QTY.	CONTACT RCD	->		
245 N	CONDENSER TUBE PART NUMBER & QTY.	CONTACT RCD	->		
246	VARIABLE ORIFICE VALVE	X	X		
NOTE: IF VALVE MUST BE REMOVED, DO NOT REPLACE IT; RECONNECT THE MOTOR COOLING LINE WITHOUT THE VALVE OR ORIFICE.					
247	REFRIGERANT STRAINER	KH12FM130	->		
NOTE: USED ON MACHINES WITH S/N PRIOR TO 24179, EXCEPT 24155, 24167, 24173.					
248	FILTER PACKAGE W/HOUSING	19EA660040	->		
NOTE: USED ON MACHINES WITH S/N AFTER 24170					
249	REFRIGERANT FILTER PACKAGE	19FA660019	->		
250	REFRIGERANT FILTER HOUSING	KH33QA182	->		
251	FILTER CARTRIDGE	(2) 17S40-001	(2) ->		
NOTE: REFER TO SERVICE BULLETIN CA-SB-19-E-76-79.					
252	STRAINER PACKAGE	19EA660019	->		
NOTE: REFER TO SERVICE BULLETIN CA-SB-19-E-76-79.					
253	GASKET	DK29GA0051A	->		
254	OIL HEATER	HT32Z2221	->		
255	PILOT LIGHT,OIL HEATER	HY19AD026	->		
256A	OIL RESERVOIR GASKET (18 HOLE)	19EA4150221A	->		
256B	OIL RESERVOIR GASKET (24 HOLE)	19EA4350221A	->		
257	OIL HEATER SWITCH	HH16NA105	->		
258	DEHYDRATOR DRAIN VALVE	EP20LA095	->		
259	ORIFICE ADAPTER	(2) 19D111952	(2) ->		
NOTE: USED ON MACHINES WITH COMPR. S/N PRIOR TO 100718 ALSO 100719, 21 23, 24, 26, 29, 30, 33, 34, 35, 36, 39.					
259A	ORIFICE ADAPTER (1/16")	(2) 19CB7211012	(2) ->		
NOTE: USED ON MACHINES WITH COMPR. S/N AFTER 100717, EXCEPT 100719, 21, 23, 24, 26, 29, 30, 33, 34, 35, 36, 39.					
259B	ORIFICE ADAPTER (1/8")	19CB7111012	->		
NOTE: USED ON MACHINES WITH COMPR. S/N AFTER 100717, EXCEPT 100719, 21, 23, 24, 26, 29, 30, 33, 34, 35, 36, 39.					
260	GASKET	(2) DD24FA151	(2) ->		
NOTE: USED ON MACHINES WITH COMPR. S/N AFTER 100717, EXCEPT 100719, 21, 23, 24, 26, 29, 30, 33, 34, 35, 36, 39.					
261A	TEMPERATURE GAUGE (ENGLISH)	KM148C222	->		
261B	TEMPERATURE GAUGE (METRIC)	KM148C222	->		

PARTS LIST CATALOG

PARTS LIST PAGE: 008

CATALOG NO. : REV.  
SUPERSEDES : REV.

NOTE: SEE "CATALOG NOTES" ON LAST PAGE FOR EXPLANATION OF SYMBOLISM.



HERMETIC CENTRIFUGAL  
CHILLER

19EA

SIZE: 004 005  
SERIES: 0

ITM	PART DESCRIPTION	19EA004		19EA005	
		COMPR. SIZE		COMPR. SIZE	
<b>MACHINE ARRANGEMENT &amp; PIPING</b>					
262A	STRAINER NOTE: USED ON MACHINES WITH COMPR. S/N PRIOR TO 100717, ALSO 100719, 21, 23, 24, 26, 29, 30, 33, 34, 35, 36, 39.	(2)	KH11X100	(2)	->
262B	STRAINER NOTE: USED ON MACHINES WITH COMPR. S/N AFTER 100717, EXCEPT 100719, 21, 23, 24, 26, 29, 30, 33, 34, 35, 36, 39.	(2)	P507-8214S	(2)	->
263	ISOLATION VALVE(COOLER/STORAGE TANK)		19EA660036		19EA660038
264	RELIEF PLUG	(2)	FB51LR810	(2)	->
265	PACKING	(2)	KK71HT012	(2)	->
266	PACKING NUT	(2)	19EA416272	(2)	->
267	COUPLING GASKET	(2)	19EA41002	(2)	19EA51001
268	ISOLATION VALVE (COOLER)		19EA660037		->
268A	SAFETY HEAD		FB51LR810		->
269A	GASKET (2 HOLE)	(4)	DK29GA0051A	(4)	->
269B	GASKET (4 HOLE)	(2)	DK37GA001	(2)	->
270	GASKET,RING (3-3/8",TRANS. VENT)		CT99GX551		->
271	OIL TEMP SWITCH (LOW)		HH16NA120		->
272	PRESSURE GAUGE		KH03AF280		->
273A	ISOLATION VALVE NOTE: USED ON MACHINES WITH COMPR. S/N PRIOR TO 100717, ALSO 100719, 21, 24, 26, 29, 33, 34, 35, 36, 39.		19EA660039		19EA660037
273B	ISOLATION VALVE (BUTTERFLY TYPE) NOTE: USED ON MACHINES WITH COMPR. S/N AFTER 100718, EXCEPT 100719, 21 23, 24, 26, 29, 30, 33, 34, 35, 36, 39.		19EA417462		19EA427462
273C	GASKET,BUTTERFLY ISOLATION VALVE NOTE: USED ON MACHINES WITH COMPR. S/N AFTER 100717, EXCEPT 100719, 21 23, 24, 26, 29, 30, 33, 34, 35, 36, 39.	(2)	CT99ZX501	(2)	CT99GX6011A
274	RELIEF PLUG NOTE: USED ON MACHINES WITH COMPR. S/N PRIOR TO 100718, ALSO 100719, 21, 24, 26, 29, 33, 34, 35, 36, 39.		FB51LR810		->
275	PACKING NOTE: USED ON MACHINES WITH COMPR. S/N PRIOR TO 100718, ALSO 100719, 21, 24, 26, 29, 33, 34, 35, 36, 39.		KK71HT012		->
276	PACKING NUT NOTE: USED ON MACHINES WITH COMPR. S/N PRIOR TO 100718, ALSO 100719, 21, 24, 26, 29, 33, 34, 35, 36, 39.		19EA416272		->
277A	ANGLE VALVE NOTE: USED ON MACHINES WITH COMPR. S/N PRIOR TO 100718, ALSO 100719, 21, 24, 26, 29, 33, 34, 35, 36, 39.		EP20LA103		->
277B	ANGLE VALVE NOTE: USED ON MACHINES WITH COMPR. S/N AFTER 100717, EXCEPT 100719, 21 23, 24, 26, 29, 30, 33, 34, 35, 36, 39.		447-233		->
279	FLARE GASKET NOTE: USED ON MACHINES WITH COMPR. S/N PRIOR TO 100718, ALSO 100719, 21, 24, 26, 29, 33, 34, 35, 36, 39.		DD26FA151		X
280A	ANGLE VALVE NOTE: USED ON MACHINES WITH COMPR. S/N PRIOR TO 100718, ALSO 100719, 21, 24, 26, 29, 33, 34, 35, 36, 39.		EP20LA101		->
280B	ANGLE VALVE NOTE: USED ON MACHINES WITH COMPR. S/N AFTER 100717, EXCEPT 100719, 21 23, 24, 26, 29, 30, 33, 34, 35, 36, 39.		FB20BA410		->
282A	GASKET,COOLER W/B (UNISHELL 41.42)	(2)	19EA4131103		X
282B	GASKET,COOLER W/B (UNISHELL 43.45)	(2)	19EA4331103		X
282C	GASKET,COOLER W/B (UNISHELL 46.47)	(2)	19EA4631103		X

PARTS LIST CATALOG

PARTS LIST PAGE: 009

CATALOG NO. :                   REV.  
SUPERSEDES :                   REV.

NOTE: SEE "CATALOG NOTES" ON LAST PAGE FOR EXPLANATION OF SYMBOLISM.



HERMETIC CENTRIFUGAL  
CHILLER

19EA

SIZE: 004 005  
SERIES: 0

ITM	PART DESCRIPTION	19EA004	19EA005		
		COMPR. SIZE	COMPR. SIZE		
<b>MACHINE ARRANGEMENT &amp; PIPING</b>					
282D	GASKET, COOLER W/B (UNISHELL 51,52,53)	X	(2) 19EA5131103		
282E	GASKET, COOLER W/B (UNISHELL 55,57)	X	(2) 19EA5531103		
282F	GASKET, COOLER W/B (UNISHELL 59)	X	(2) 19EA5931103		
283A	GASKET, DIVISION PLATE (20')	19XB680001	->		
283B	GASKET, DIVISION PLATE (50')	QR02SR019	->		
284	ANGLE VALVE	EP20LA103	->		
	NOTE: USED ON MACHINES WITH COMPR. S/N PRIOR TO 100718, ALSO 100719, 21, 24, 26, 29, 33, 34, 35, 36, 39.				
285A	GASKET, COND. W/B (UNISHELL 41,42)	(2) 19EA415104	X		
285B	GASKET, COND. W/B (UNISHELL 43,45)	(2) 19EA435104	X		
285C	GASKET, COND. W/B (UNISHELL 46,47)	(2) 19EA465104	X		
285D	GASKET, COND. W/B (UNISHELL 51,52,53)	X	(2) 19EA515104		
285E	GASKET, COND. W/B (UNISHELL 55,57)	X	(2) 19EA555104		
285F	GASKET, COND. W/B (UNISHELL 59)	X	(2) 19EA595104		
286	RELIEF VALVE	19EB660005	->		
287	RELIEF VALVE	(2) 19EB660005	(2) ->		
288	SUCTION GASKET	19EA4114321A	19EA5114321A		
289	COUPLING	CT29AC501	->		
290	COUPLING GASKET	(2) 19EA41001	(2) 19EA51002		
	NOTE: USED ON MACHINES WITH COMPR. S/N PRIOR TO 100718, ALSO 100719, 21, 24, 26, 29, 33, 34, 35, 36, 39.				
291	RING GASKET	17DA8963221A	19EA5160221A		
292	FOOT GASKET	19EA4310121A	->		
293A	ANGLE VALVE	EP20LA101	EP20LA103		
	NOTE: USED ON MACHINES WITH COMPR. S/N PRIOR TO 100718, ALSO 100719, 21, 24, 26, 29, 33, 34, 35, 36, 39.				
293B	ANGLE VALVE	EP20BA610	->		
	NOTE: USED ON MACHINES WITH COMPR. S/N AFTER 100717, EXCEPT 100719, 21, 23, 24, 26, 29, 30, 33, 34, 35, 36, 39.				
294	FLARE GASKET	DD24FA151	X		
	NOTE: USED ON MACHINES WITH COMPR. S/N AFTER 100718, EXCEPT 100719, 21, 23, 24, 26, 29, 30, 33, 34, 35, 36, 39.				
295A	GASKET, COUPLING (FOR 4" & 7-1/2")	(2) CT96SX6011A	(2) ->		
295B	COUPLING (4")	CT29AM030	->		
295C	COUPLING (7-1/2")	CT29AM020	->		
296	SOLENOID VALVE	EF11CH182	->		
	NOTE: USED ON MACHINES WITH SERIAL NUMBER PRIOR TO 25462.				
297	ANGLE VALVE	EP23LA155	->		
	NOTE: USED ON MACHINES WITH SERIAL NUMBER PRIOR TO 25462.				
298	BALL VALVE (2")	EP71CQ481	->		
299	ISOLATION VALVE GASKET	(2) 17DA8963221A	(2) 19EA5160221A		
	NOTE: USED ON MACHINES WITH COMPR. S/N AFTER 100717, EXCEPT 100719, 21, 23, 24, 26, 29, 30, 33, 34, 35, 36, 39. USED WITH BUTTERFLY DESIGN ISOLATION VALVES.				
300	DAMPER VALVE	19EA41987	19FA501123		
	NOTE: USED ON MACHINES WITH SERIAL NUMBER AFTER 25461.				
301	DAMPER VALVE REPAIR KIT	19FA660027	->		
302	DAMPER VALVE GASKET	(2) CT99ZX501	CT99GX6011A		
	NOTE: USED ON MACHINES WITH SERIAL NUMBER AFTER 25461.				
303	ANGLE VALVE	447-233	->		
	NOTE: USED ON MACHINES WITH SERIAL NUMBER AFTER 25461.				
304	ANGLE VALVE	447-233	->		
	NOTE: USED ON MACHINES WITH SERIAL NUMBER PRIOR TO 25462.				

PARTS LIST CATALOG

PARTS LIST PAGE: 010

CATALOG NO.: REV.  
SUPERSEDES: REV.

NOTE: SEE "CATALOG NOTES" ON LAST PAGE FOR EXPLANATION OF SYMBOLISM.



HERMETIC CENTRIFUGAL  
CHILLER

19EA

SIZE: 004 005  
SERIES: 0

ITM	PART DESCRIPTION	19EA004	19EA005		
		COMPR. SIZE	COMPR. SIZE		
<b>UTILITY VESSEL GROUP</b>					
305A	GASKET, VALVE CHAMBER NOTE: USED ON MACHINES SHIPPED PRIOR TO 12/74.	19DR504143	X		
305B	GASKET, VALVE CHAMBER NOTE: USED ON MACHINES SHIPPED AFTER 12/74.	19EA4260431A	X		
305C	GASKET, VALVE CHAMBER	X	19EA5160431A		
306	REFRIGERANT FEED CONTROL NOTE: USED ON MACHINES WITH SERIAL NUMBER PRIOR TO 25463.	19EA41923	->		
307	CABLE NOTE: USED ON MACHINES WITH SERIAL NUMBER PRIOR TO 25463.	19EA41752	->		
308	REFRIGERANT STRAINER	19EA41852	->		
309	INNER SIGHT GLASS GASKET	(4) 19EA416782	(4) ->		
310	SIGHT GLASS GLAND	(4) R51001	(4) ->		
311	OUTER SIGHT GLASS GASKET	(4) R51004005	(4) ->		
312	SIGHT GLASS	(4) KM36AW105	(4) ->		
313	FLOAT BOX COVER GASKET	(2) 19EA4153531A	(2) 19EA5153531A		
314	FLOAT VALVE ASY, LO-SIDE NOTE: USED WITH UTILITY VESSEL SIZE 41.	19EA41768	X		
315	FLOAT VALVE BODY	17F35503	X		
316	FLOAT BALL & ARM ASY	19EA660002	X		
317	ROLL PIN	AX14CA064	X		
318	FLOAT VALVE ASY, LO-SIDE NOTE: USED WITH UTILITY VESSEL SIZE 46.	19EA46768	X		
319	FLOAT VALVE BODY	17F40503	X		
320	FLOAT BALL & ARM ASY	19EA660003	X		
321	ROLL PIN	AX14CA064	X		
322	FLOAT VALVE ASY, LO-SIDE NOTE: USED WITH UTILITY VESSEL SIZE 51.	X	19EA51768		
323	FLOAT VALVE BODY	X	17F40503		
324	FLOAT BALL & ARM ASY	X	19EA660004		
325	ROLL PIN	X	AX14CA064		
326	FLOAT VALVE ASY, LO-SIDE NOTE: USED WITH UTILITY VESSEL SIZE 56.	X	19EA55768		
327	FLOAT VALVE BODY	X	17F45503		
328	FLOAT BALL & ARM ASY	X	19EA660005		
329	ROLL PIN	X	AX14CA064		
330	FLOAT VALVE GASKET	19EA466492	19EA516492		
331	LO-SIDE SCREEN	19EA415722	19EA515722		
332	HI-SIDE FLOAT VALVE GASKET	19EA416492	19EA466492		
333A	HI-SIDE FLOAT BODY NOTE: USED WITH UTILITY VESSEL SIZE 41.	19EA41943	X		
333B	HI-SIDE FLOAT BODY NOTE: USED WITH UTILITY VESSEL SIZE 46.	19EA46943	X		
333C	HI-SIDE FLOAT BODY NOTE: USED WITH UTILITY VESSEL SIZE 51.	X	19EA52943		
334	HI-SIDE FLOAT ARM	19EA41802	->		
335A	HI-SIDE FLOAT BALL NOTE: USED WITH UTILITY VESSEL SIZE 41, 46.	EC28HZ243	X		
335B	HI-SIDE FLOAT BALL NOTE: USED WITH UTILITY VESSEL SIZE 51.	X	EC28HZ243		
335C	HI-SIDE FLOAT BALL NOTE: USED WITH UTILITY VESSEL SIZE 56.	X	EC28SH121		
336	SEAL RETAINER	19EA415001	->		
337	SHAFT SEAL	19EA415091	->		
338	HI-SIDE SCREEN	19EA415712	19EA515712		

PARTS LIST CATALOG

PARTS LIST PAGE: 011

CATALOG NO. :                   REV.  
SUPERSEDES :                   REV.

NOTE: SEE "CATALOG NOTES" ON LAST PAGE FOR EXPLANATION OF SYMBOLISM.



HERMETIC CENTRIFUGAL  
CHILLER

19EA

SIZE: 004 005  
SERIES: 0

ITM	PART DESCRIPTION	19EA004		19EA005	
		COMPR. SIZE		COMPR. SIZE	
<b>PURGE ASSEMBLY</b>					
339	DEHYDRATOR ASY		19EA41543		->
340	V-BAND COUPLING		CT28MP035		->
341	SIGHT GLASS GLAND	(2)	TS-380	(2)	->
342	OUTER SIGHT GLASS GASKET	(2)	5F201631012	(2)	->
343	SIGHT GLASS	(2)	19C356151	(2)	->
344	INNER SIGHT GLASS GASKET	(2)	5F201011	(2)	->
345	O-RING		KK742W325		->
346	VALVE		EC29WN211		->
347	RING GASKET		19DK119104233		->
348	FLOAT BALL		EC28QZ030		->
349	FLOAT ARM		19DA11501		->
350	GAUGE		KM03AF280		->
351	COVER (CASTING)		19DA115043		->
<b>PUMPDOWN ASSEMBLY</b>					
352A	PUMPDOWN ASSEMBLY (208-3-60)		19EA411113		->
352B	PUMPDOWN ASSEMBLY (230-3-60)		19EA421113		->
352C	PUMPDOWN ASSEMBLY (400/460-3-50/60)		19EA431113		->
352D	PUMPDOWN ASSEMBLY (575-3-60)		19EA461113		->
356AN	COMPRESSOR ASY (208/230-3-60)		06DM00866C3250		->
356BN	COMPRESSOR ASY (400/460-3-50/60)		06DM00866C3650		->
356CN	COMPRESSOR ASY (575-3-60)		06DM00866C3150		->
357 N	GASKET SET		6D43172		->
358 N	VALVE PLATE PACKAGE (1-13/16" BORE)		NO LONGER AVAILABLE		->
	INCLUDES: ITEMS 358A-358G.				
358AN	VALVE PLATE ASY		NO LONGER AVAILABLE		->
358BN	DISCHARGE VALVE	(2)	6D751062	(2)	->
358CN	DISCHARGE VALVE STOP	(2)	6D751072	(2)	->
358DN	SUCTION VALVE SPRING	(2)	6D401021	(2)	->
358EN	SUCTION VALVE	(2)	6D451072	(2)	->
358FN	GASKET, VALVE PLATE		6D401073		->
358GN	GASKET, CYLINDER HEAD		05GA502213		->
359 N	VALVE PLATE PACKAGE (2" BORE)		06DA660120		->
	INCLUDES: ITEMS 359A-359J.				
359AN	VALVE PLATE ASY.		06DA404674		->
359BN	GASKET, VALVE PLATE		05DA500153		->
359CN	GASKET, CYLINDER HEAD (PLAIN)		05GA502213		->
359DN	GASKET, CYLINDER HEAD (S.C.O.U.)		05GA502223		->
359EN	SUCTION VALVE	(2)	06DA502903	(2)	->
359FN	SPRING, SUCTION VALVE POSITIONING	(2)	6D401021	(2)	->
359GN	GASKET, CYLINDER HEAD (CENTER BAN		05GA502173		->
359HN	GASKET, VALVE PLATE (LESS I PORT)		06DA502923		->
359JN	DOWEL PIN		7J16032		->
365 N	PISTON & PIN PACKAGE	(2)	6D68962	(2)	->
366 N	ECCENTRIC STRAP	(2)	5D401372	(2)	->
367 N	COMPRESSION RING	(2)	AU50CP355	(2)	->
368 N	VALVE PLATE ASY		06DA660120		->
369 N	BEARING HEAD ASY		06DA660060		->
370 N	OIL FILTER ASY		6D40103		->
371	SERVICE VALVE PKG. (SUCTION)		5F20660002		->
372	GASKET, SUCTION VALVE		6D231421		->
373	SERVICE VALVE PKG. (DISCHARGE)		06DA660060		->
374	GASKET, DISCHARGE VALVE		6D2311421		->
375	CONDENSER ASY		19EA41531		->
376	TRY COCK ASY		7F0132		->

PARTS LIST CATALOG

PARTS LIST PAGE: 012

CATALOG NO. :                   REV.  
SUPERSEDES :                   REV.

NOTE: SEE "CATALOG NOTES" ON LAST PAGE FOR EXPLANATION OF SYMBOLISM.



HERMETIC CENTRIFUGAL  
CHILLER

19EA

SIZE: 004 005  
SERIES: 0

ITM	PART DESCRIPTION	19EA004		19EA005	
		COMPR. SIZE		COMPR. SIZE	
<b>PUMPDOWN ASSEMBLY</b>					
377	VALVE, LIQUID		EP12BH211		->
378	COMPR. O'LOAD(30A)(FURNAS-MAN RESET)		HN68JX003		->
379A	OVERLOAD HEATER (208V)(MAN. RESET)	(3)	HN71JC050	(3)	->
379B	OVERLOAD HEATER (230V)(MAN. RESET)	(3)	HN71JC049	(3)	->
379C	OVERLOAD HEATER (460V)(MAN. RESET)	(3)	HN71JC036	(3)	->
379D	OVERLOAD HEATER (575V)(MAN. RESET)	(3)	HN71JC031	(3)	->
379E	OVERLOAD (200V-60)(AUTO. RESET)	(2)	HN69G2007	(2)	->
379F	OVERLOAD (230V-60)(AUTO. RESET)	(2)	HN69G2039	(2)	->
379G	OVERLOAD (400/460V-50/60)(AUTO. RE	(2)	HN69G2015	(2)	->
379H	OVERLOAD (220V/50)(AUTO. RESET)	(2)	HN69G2012	(2)	->
380	CONTROL BOX COVER		07DA500002		->
381	CONTROL BOX ASSEMBLY		19EA41588		->
382	TERMINAL BLOCK		HY84EG017		->
383	CONTACTOR		HN53CD115		->
384A	PRESSURE STAT (R12,R134A,R500)		HK01UA181		->
384B	PRESSURE STAT (R22)		HK01UA187		->
385	SWITCH, TOGGLE		HR53ZA035		->
386	FUSE HOLDER		HKP-HH		->
387	FUSE (3 AMP)		AGC3		->
388	GROMMET		KA56XM040		->
389	SAFETY HEAD		EB51LR385		->
390	OIL SEPERATOR		KH31L2008		->
391	GASKET, OIL SEPERATOR		KY31LY0031A		->
392A	VALVE, DIAPHRAGM (1/2")	(4)	A-14841	(4)	->
392B	VALVE, DIAPHRAGM (5/8")	(4)	EP10BA211	(4)	->
392C	VALVE, DIAPHRAGM (3/4")	(4)	A-14841	(4)	->
393	VALVE, ANGLE		EP20LA103		->
394	GASKET, CAPSCREW (5/16")	(4)	AU51YA003	(4)	->
395	GASKET, FLARE (1/2")		DD24FA151		->
396	SPRING, COPRESSOR MOUNTING	(4)	50K21231	(4)	->
397	SPRING CUP, COMPRESSOR MOUNTING	(4)	50K41221	(4)	->
398	GASKET, BOTTOM PLATE		6D401043		->
399	TERMINAL BOX		06DA660078		->
<b>OIL COOLER FILTER GROUP</b>					
400	OIL COOLER, FILTER ASY		19DR504143		->
401	OIL FILTER	(2)	17S40001	(2)	->
402	FILTER GUIDE ASY		19C35731		->
403	SPRING		19C354991		->
404	O-RING (INCLUDED IN 17S40001)		KK71G2034		->
405	STOPPER		19EA41512		->
<b>CONTROL GROUP</b>					
406	RELAY MODULE ASY (DESIGN #1)		32SM660004		->
NOTE: RELAY MODULE ASY DESIGN I IS NO LONGER AVAILABLE. FOR NEW RELAY MODULE ASSEMBLY SEE DESIGN II. WHEN CONVERTING FROM DESIGN I TO DESIGN II USE KIT NUMBER 32SM660004.					
407	CIRCUIT BREAKER	(2)	HH83XH110	(2)	->
408	RESISTOR		HT21AU100		->
409	TIME DELAY RELAY		19EA41611	19EA41-611	
410	PROGRAM TIMER		HK25BB020		->
411	RELAY	(5)	HN61KL616	(5)	->
412	FUSE		AGC3		->
413	FUSE HOLDER		HTB84I		->
414	AMPLIFIER MODULE ASY		32SM500704		->
415	CYCLING TIMER		HK25DB004		->

PARTS LIST CATALOG

PARTS LIST PAGE: 013

CATALOG NO. :                   REV.  
SUPERSEDES :                   REV.

NOTE: SEE "CATALOG NOTES" ON LAST PAGE FOR EXPLANATION OF SYMBOLISM.



HERMETIC CENTRIFUGAL  
CHILLER

19EA

SIZE: 004 005  
SERIES: 0

ITM	PART DESCRIPTION	19EA004		19EA005	
		COMPR. SIZE		COMPR. SIZE	
CONTROL GROUP					
416A	ELAPSED TIME IND. (60HZ) RECTANGULAR		19EA660035		->
416B	ELAPSED TIME IND. (50HZ) RECTANGULAR		19EA660050		->
416C	ELAPSED TIME IND. (60HZ) ROUND FACED		HK28DG115		->
416D	ELAPSED TIME IND. (50HZ) ROUND FACED		HK28DG116		->
417	MOTOR SENSOR MODULE		HN65BJ090		->
418	DISCHARGE & BEARING SENSOR MODULE		HN65BJ003		->
419	TRANSFORMER	(2)	HT01BJ115	(2)	->
420	CONDENSER HI-PRESSURE CUTOUT		HK01UA180		->
421	COOLER LO-PRESSURE CUTOUT		HK01CB042		->
422	DIFF.OIL PRESSURE GAUGE		KM05BH220		->
423	COOL/CONDENSER PRESSURE GAUGE	(2)	KM03AF362	(2)	->
424	PUSH BUTTON SWITCH		HR54ZA001		->
425	PUSH BUTTON SWITCH	(2)	HR54ZA020	(2)	->
426	INDICATING LIGHT	(4)	HY19MM020	(4)	->
427	ECONOMIZER,COOLER DIFFERENTIAL PS		HK06CA407		->
428	LOW OIL PRESSURE SWITCH		KH06CB402		->
429	LOCK & KEY		KA19NL010		->
430	TRANSDUCER		32SM660003		->
431	RELAY MODULE ASY (DESIGN #2)		32SM400694		->
NOTE: USED ON MACHINES SHIPPED AFTER MARCH 1977.					
432	RELAY (K1,K3,KB,KM)	(4)	HN61KL615	(4)	->
433	RELAY (K2)		HN61KL616		->
434	PROGRAM TIMER		HK252D030		->
435	FUSE		AGC3		->
436	FUSE HOLDER		HTB94I		->
437	LIGHT,INDICATING	(2)	32SM400702	(2)	->
438	AMPLIFIER MODULE ASY		32SM500704		->
439	CYCLING TIMER (NOT ON ALL ASY)		HK25DB004		->
440	SWITCH,CONDENSER HI-PRESSURE		HK01UA183		->
441	SWITCH,LOW OIL PRESSURE		HK06CB402		->
442	SWITCH,COOLER LOW PRESSURE		HK01CB042		->
443	GAUGE,OIL DIFFERENTIAL		KM05BH220		->
444	GAUGE,PRESSURE COOLER & CONDENSER	(2)	KM03AF362	(2)	->
445	SWITCH,PUSH BUTTON		HR52ZD040		->
446	SWITCH,PUSH BUTTON	(2)	HR54ZA020	(2)	->
447	LIGHT,INDICATING	(4)	HY19MM020	(4)	->
448	CONTROL MODULE (DUAL SENSOR)	(2)	HN65BJ090	(2)	->
449	LOCK & KEY		KA19NL010		->
450	COUNT,START		HK28Z115		->
451	LEAD,LAG CONTROL ASY		32SM900001		->
452	SWITCH	(3)	HR54ZA001	(3)	->
453	POTENTIOMETER		32SM500623		->
454	SWITCH (SELECTOR)		32SM500843		->
455	KNOB		KA21RB156		->
456	RELAY		HN67SK007		->
457	RELAY	(4)	HN61KL616	(4)	->
458	SAFETY INDICATOR PANEL		32SM900001		->
459	SWITCH,PUSH BUTTON/LITE (WHITE)	(7)	HR54ZA020	(7)	->
460	SWITCH,PUSH BUTTON/LITE (RED)		HR54ZA040		->
461	RELAY	(10)	HN61KL615	(10)	->
462	RELAY (K104)		HN61KL616		->

