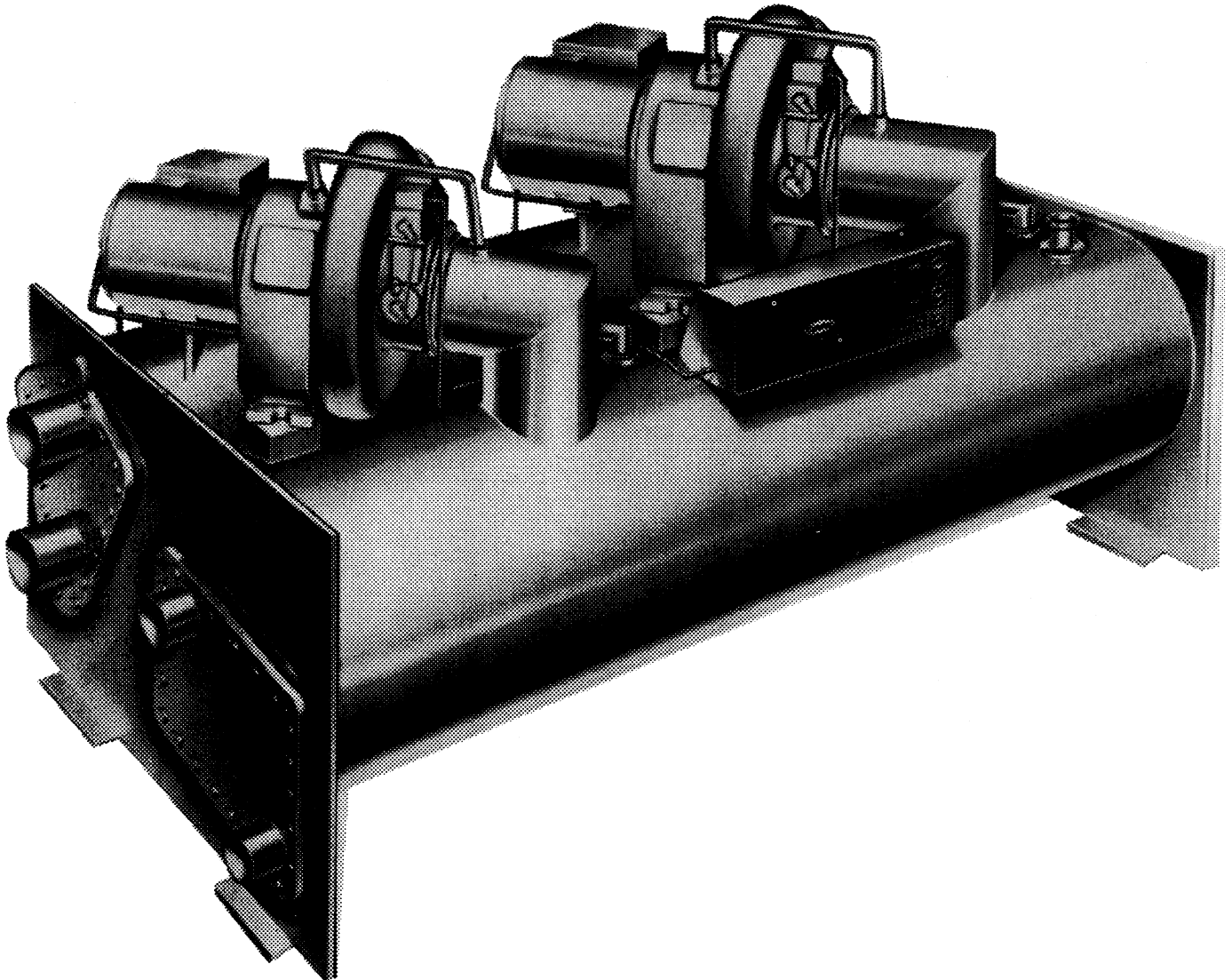


# HERMETIC CENTRIFUGAL CHILLER WITH MICROPROCESSOR

# 19 DR

**CHECK MACHINE AND COMPRESSOR  
NAMEPLATE BEFORE USING THIS CATALOG**



**19DR  
WITH MICROPROCESSOR**



# HERMETIC CENTRIFUGAL CHILLER WITH MICROPROCESSOR

# 19 DR

## HOW TO USE THIS CATALOG

THIS CATALOG PRESENTS THE MOST COMMONLY USED SPECIFIED PARTS FOR THE STANDARD 19DR CENTRIFUGAL REFRIGERATION MACHINE AND IS NOT APPLICABLE TO ANY SPECIAL ORDER MACHINES.

1. THE 19DR HERMETIC CETRIFUGAL CHILLER HAS THE VARIATION OF HAVING EITHER ONE OR TWO COMPRESSORS MOUNTED ON ONE UNISHELL.
2. IF YOU HAVE A UNIT WITH THE DUAL COMPRESSOR BOTH WILL BE EITHER 19DK OR 19DM COMPRESSOR THE TWO TYPES ARE NOT MIXED ON THE SAME MACHINE.
3. THERE CAN BE A MIX OF A FRAME 2 AND A FRAME 3 COMPRESSOR ON SAME MACHINE BE SURE TO CHECK MODEL NUMBER OF EACH COMPRESSOR BEFORE SELECTING PARTS FROM THIS CATALOG TO INSURE PROPER CHOICE. THERE IS AN OPTION OF DUAL OIL PUMPS, 2ND PUMP CANNOT BE ADDED LATER.
4. TO LOCATE PARTS YOU REQUIRE REFER TO THE UNIT ILLUSTRATIONS IN THE FIRST PART OF THIS CATALOG TO OBTAIN THE ITEM NUMBER THEN REFER TO THE PARTS LISTING FOR THE DESCRIPTION ,QUANTITY AND UNIT SIZE PART IS USED ON .
5. OCCASIONALLY DUE TO THE LIMITATIONS OF ILLUSTRATIONS USED , A PART MAY NOT BE SHOWN ON AN ILLUSTRATION , THESE PARTS ARE IDENTIFIED BY "N" OR "NI" IN THE COLUMN NEXT TO THE ITEM NUMBER . IDENTIFY A SERIAL NUMBER CHANGE BY "PSN" FOR PRIOR SERIAL NUMBER OR "SSN" FOR START SERIAL NUMBER.
6. IF YOU HAVE A MACHINE THAT USES HCFC - 123 AS THE REFRIGERANT DO NOT USE THIS PARTS CATALOG .  
TO SELECT SERVICE PARTS , CONTACT YOUR CARRIER REPRESENTATIVE FOR THE PART NUMBERS FOR YOUR APPLICATION.
- 7 THE FOLLOWING PARTS ARE NOT LISTED IN THIS CATALOG .
  - IMPELLER
  - COMPRESSOR MOTOR ( ROTOR & STATOR )
  - EVAPORATOR TUBES
  - CONDENSER TUBES
8. IF ANY OF THESE PARTS ARE REQUIRED , CONTACT YOUR CARRIER REPRESENTATIVE WITH THE MODEL AND SERIAL NUMBER OF YOUR MACHINE.
9. POSITIVE IDENTIFICATION OF YOUR UNIT SIZE TO PROPERLY SELECT PARTS MAY BE DONE BY REFERRING TO THE NAME PLATE ON THE MACHINE.

Catalog No.: 19 . 027 ( 08 - 93 )

Page : 2

Supersedes: 19 . 015 ( 06 - 86 )

Note: See "Catalog Notes " on last page for explanation of symbolism.

Litho in U.S.A.

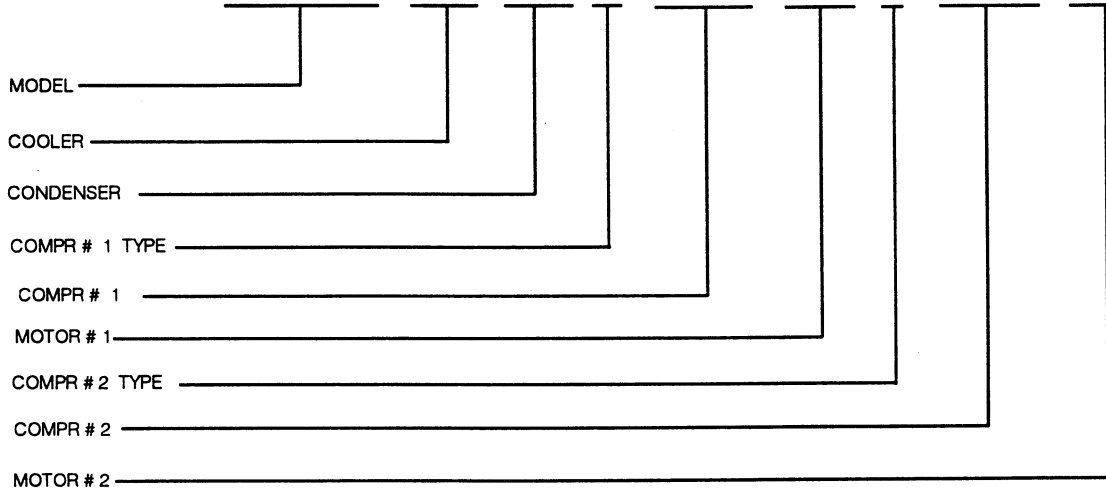


# HERMETIC CENTRIFUGAL CHILLER WITH MICROPROCESSOR

# 19 DR

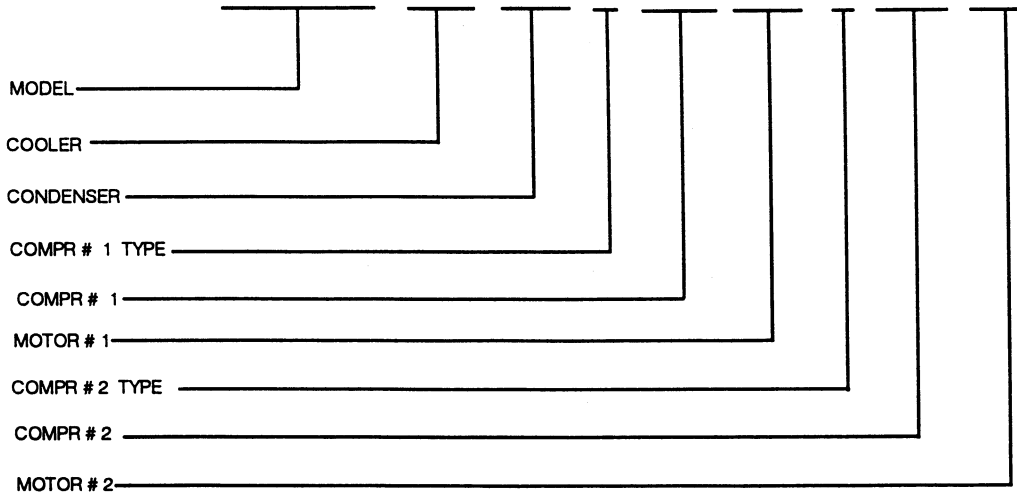
## CURRENT MODEL NUMBER SIGNIFICANCE

POSITION	1	2	3	4	5	6	7	8	9	10	11	12	13	14	15	16	17	18	19	20
CODE	1	9	D	R	5	7	5	7	M	3	5	6	C	E	M	3	5	6	C	E



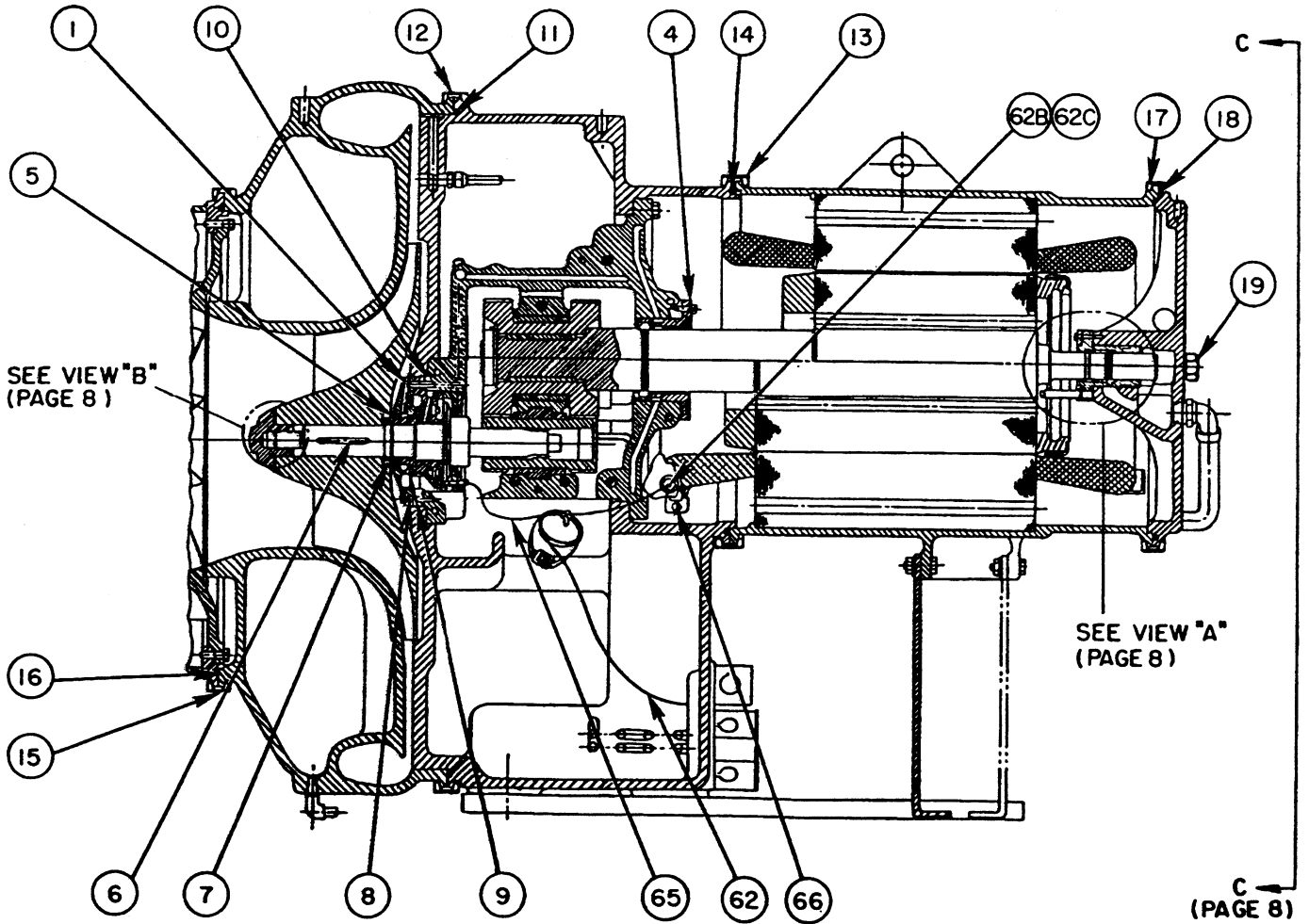
## OLDER MODEL NUMBER SIGNIFICANCE

POSITION	1	2	3	4	5	6	7	8	9	10	11	12	13	14	15	16	17	18
CODE	1	9	D	R	5	7	5	7	M	6	5	C	E	M	6	5	C	E

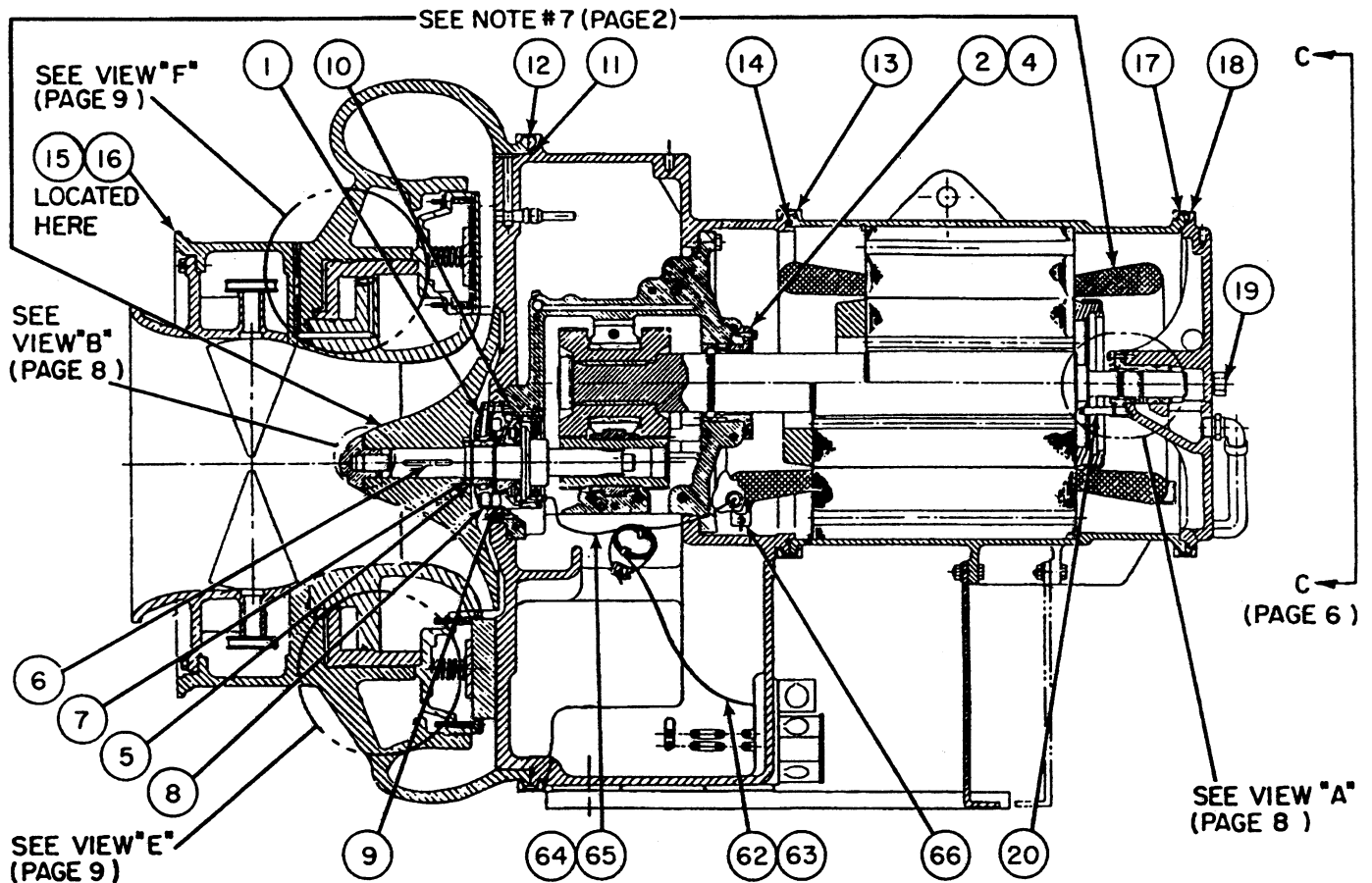


**HERMETIC CENTRIFUGAL CHILLER  
WITH MICROPROCESSOR**

**19 DR**

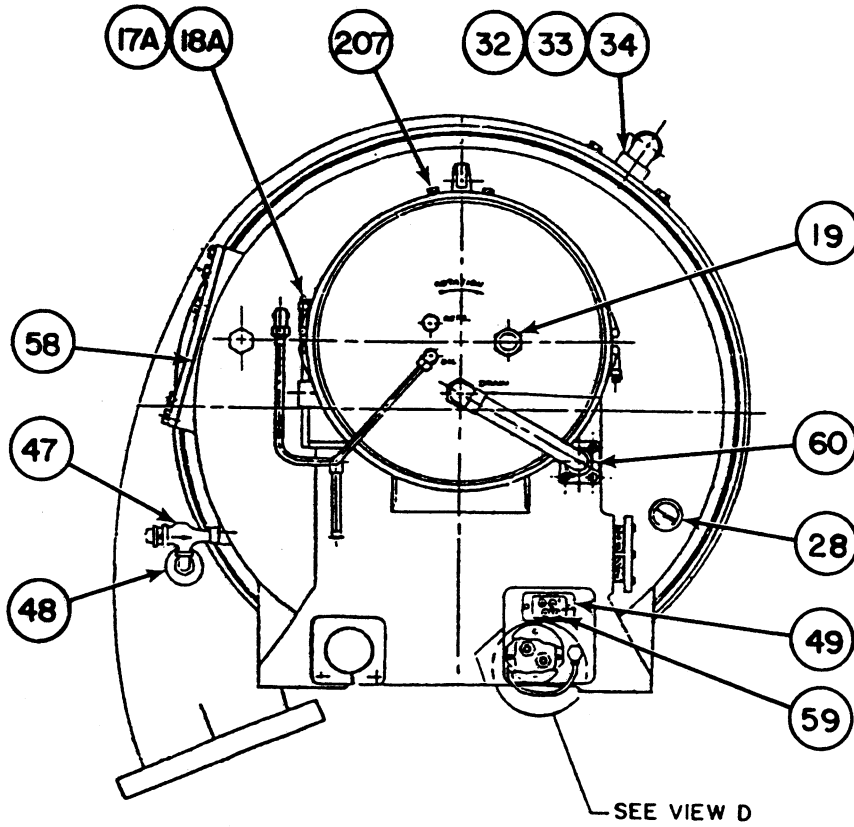


**19DK3 COMPRESSOR ASSEMBLY**

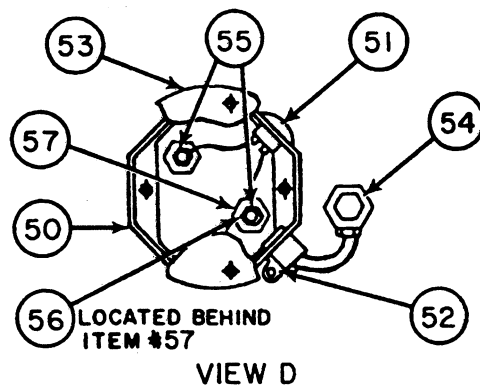
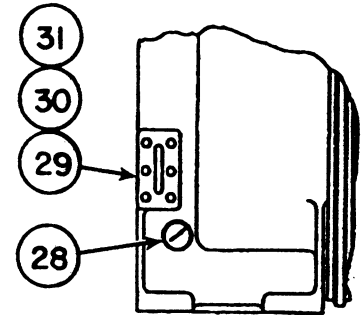


**19DM3 COMPRESSOR ASSEMBLY**

## HERMETIC CENTRIFUGAL CHILLER WITH MICROPROCESSOR

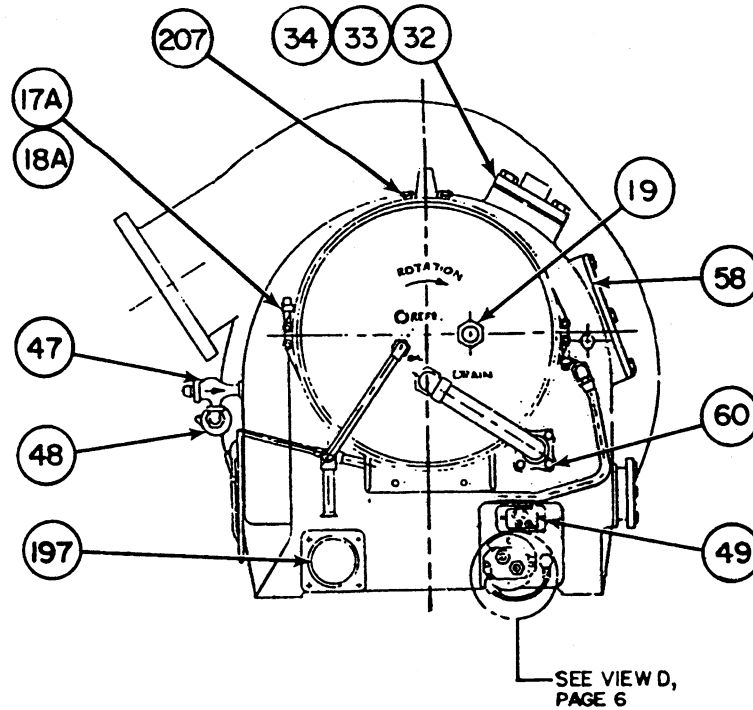


**VIEW C-C**  
**19DK3**

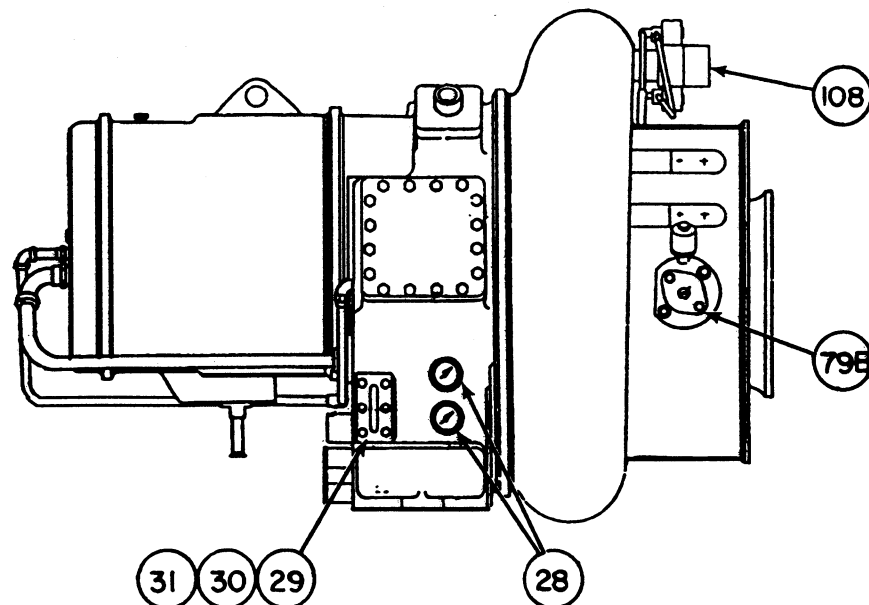


**VIEW D**

## HERMETIC CENTRIFUGAL CHILLER WITH MICROPROCESSOR

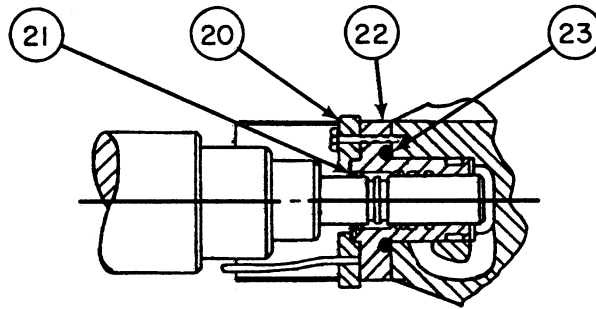


19DM2

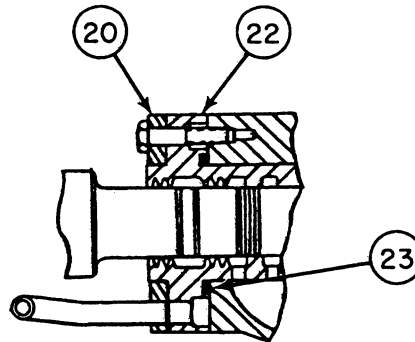


19DM2

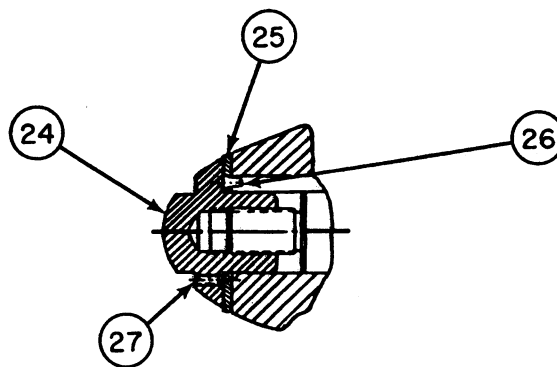
## HERMETIC CENTRIFUGAL CHILLER WITH MICROPROCESSOR



VIEW "A"  
HIGH VOLTAGE



VIEW "A"  
LOW VOLTAGE



VIEW "B"

### COMPRESSOR ASSEMBLY

Catalog No. : 19 . 027 (08-93)

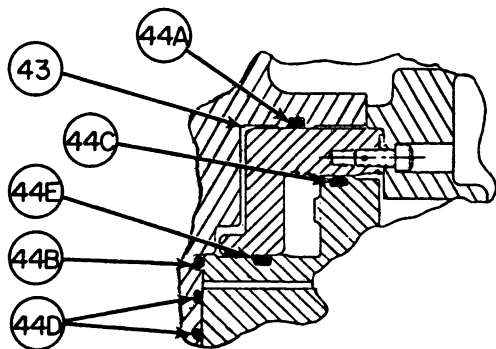
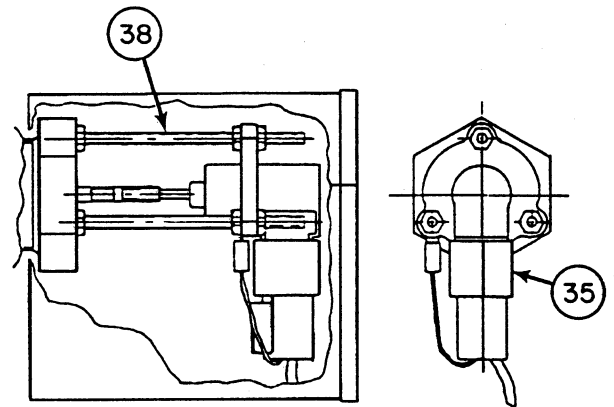
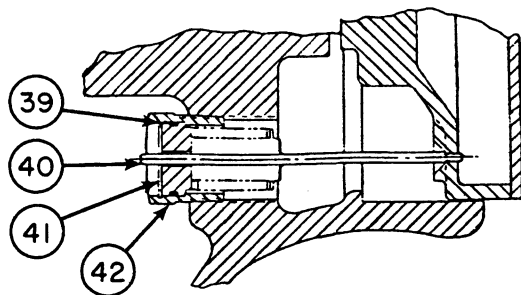
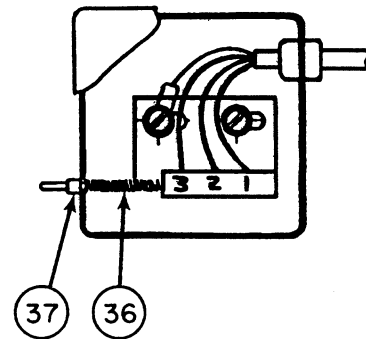
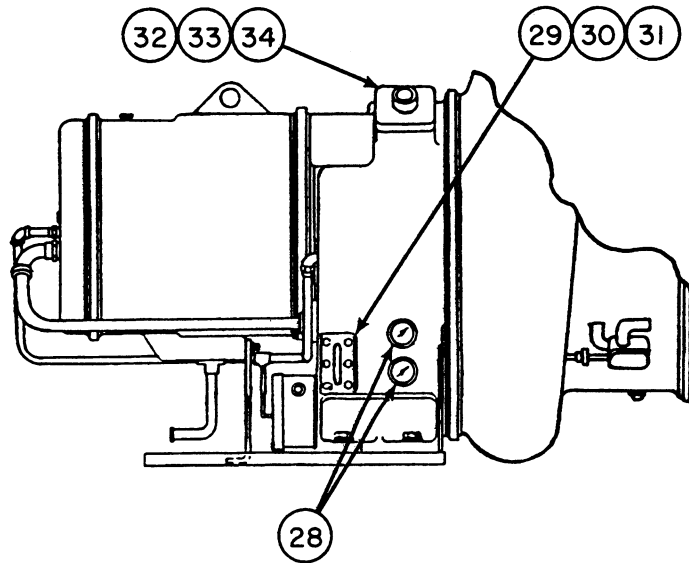
Supersedes: 19 . 015 (06-86)

Note: See "Catalog Notes" on last page for explanation of symbolism.

Page: 8

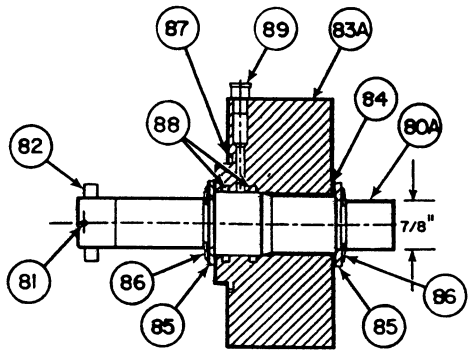
Litho in U.S.A.

## HERMETIC CENTRIFUGAL CHILLER WITH MICROPROCESSOR

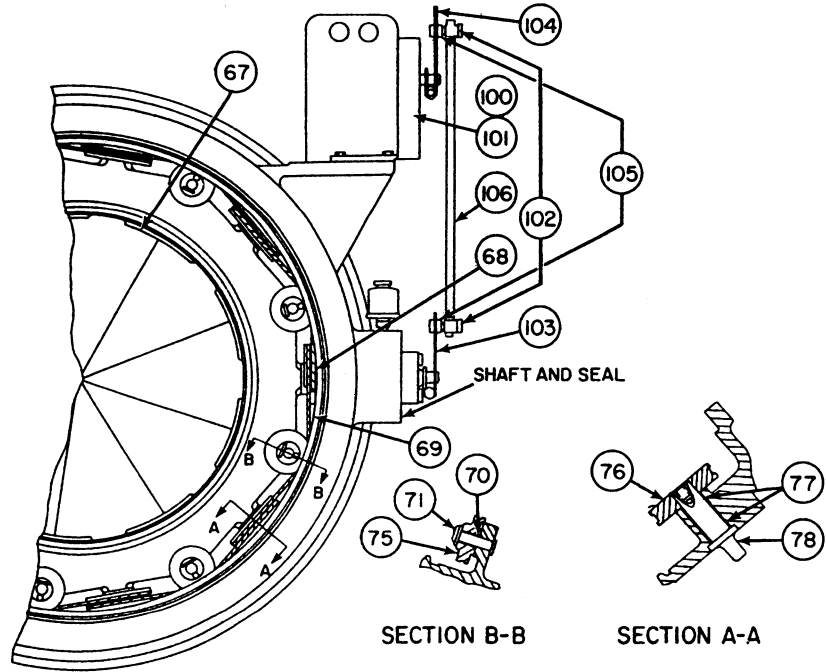


**VIEW "F"**

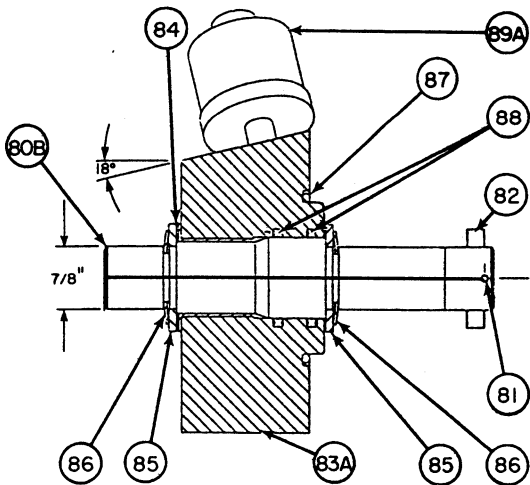
### COMPRESSOR ASSEMBLY



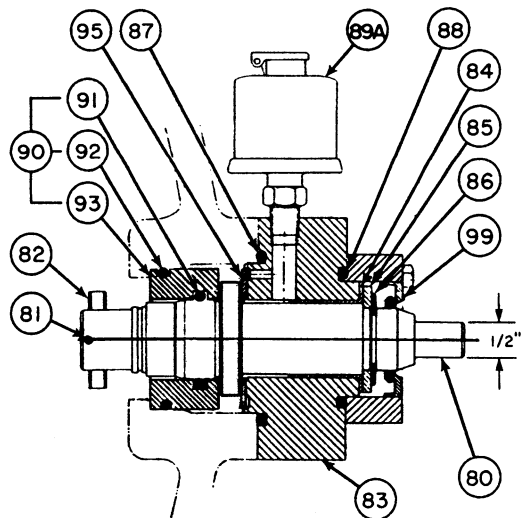
**#79A - INCLUDES ALL SHOWN**



**GUIDE VANE & BLADE RING**

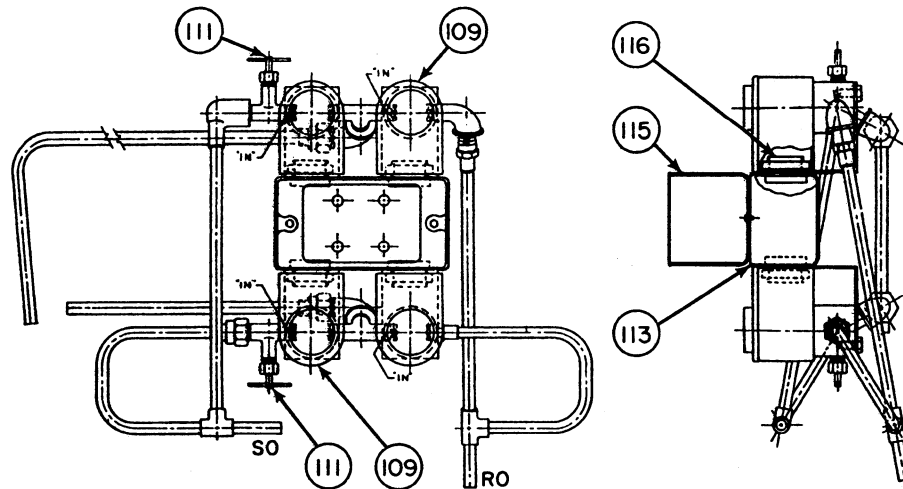
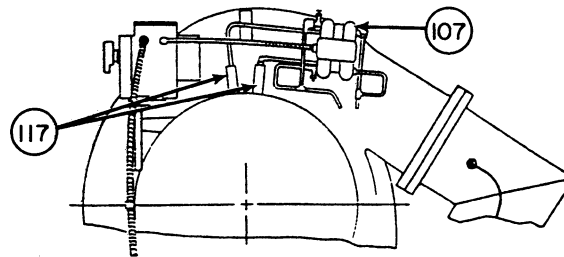


**#79B - SHAFT & SEAL ASSEMBLY**

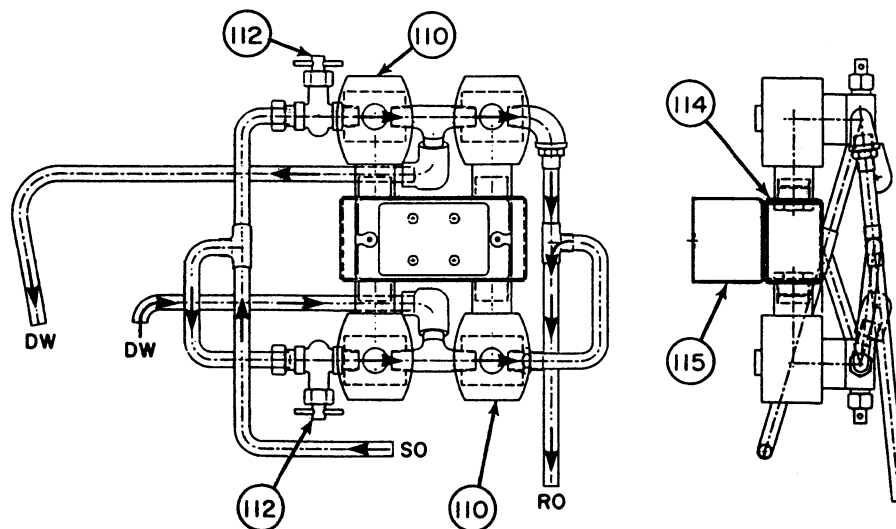


**#79 - SHAFT & SEAL ASSEMBLY**

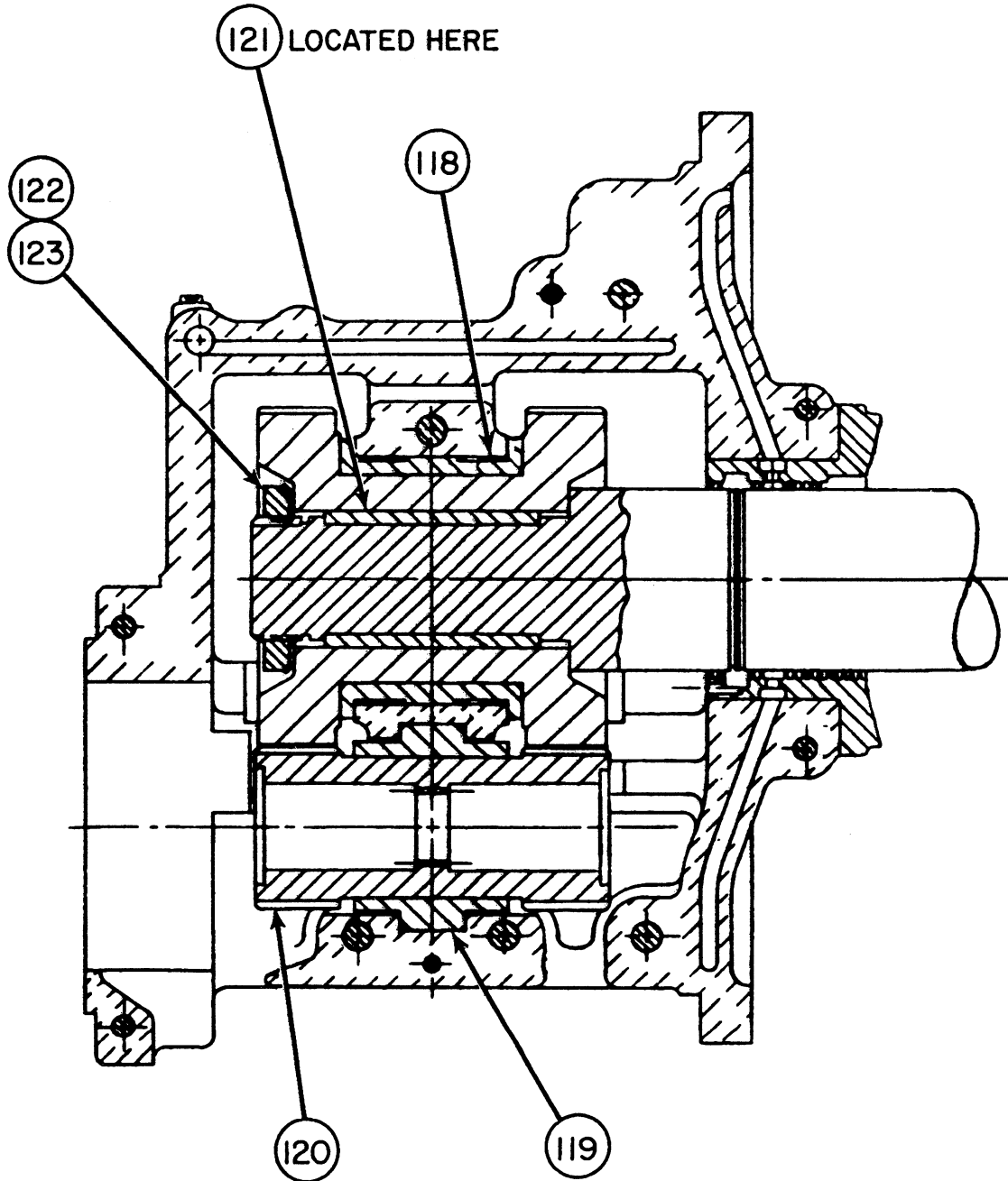
## HERMETIC CENTRIFUGAL CHILLER WITH MICROPROCESSOR



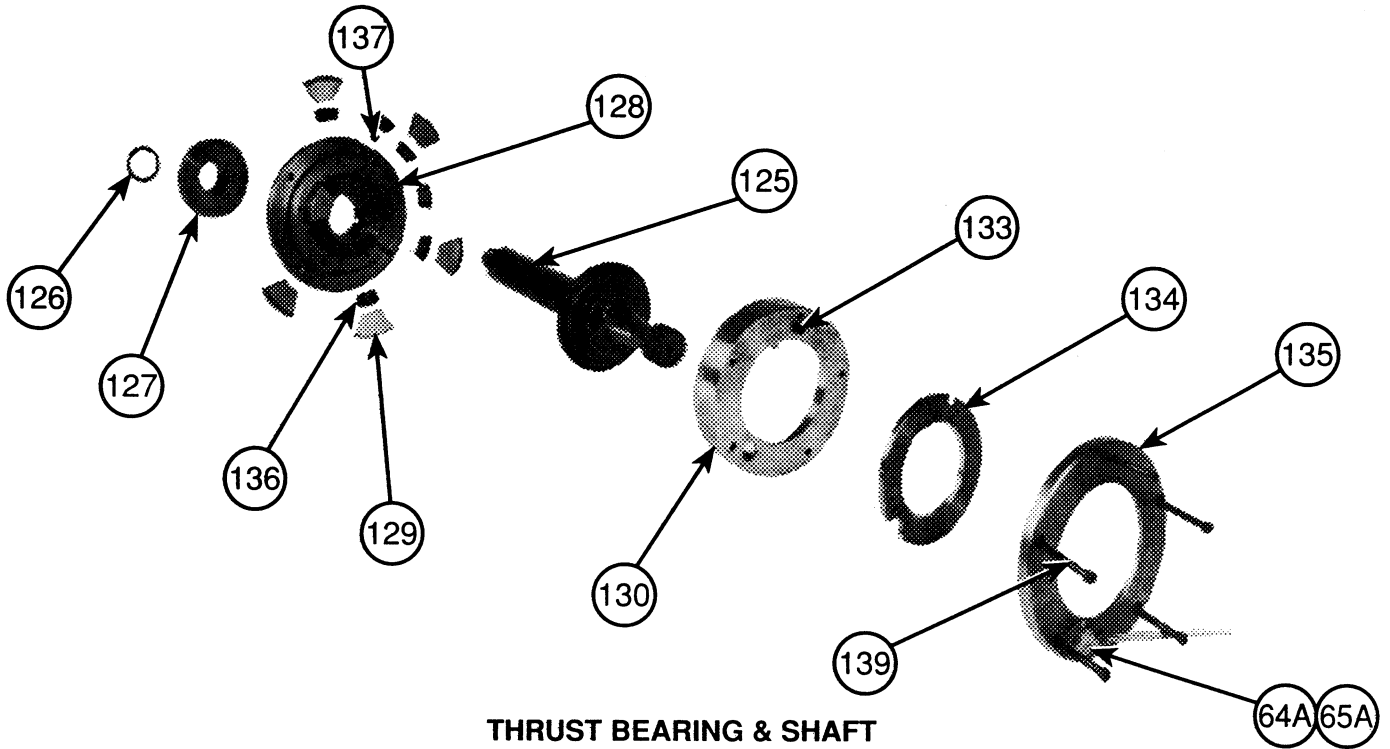
**#107 - SOLENOID VALVE ASSEMBLY**



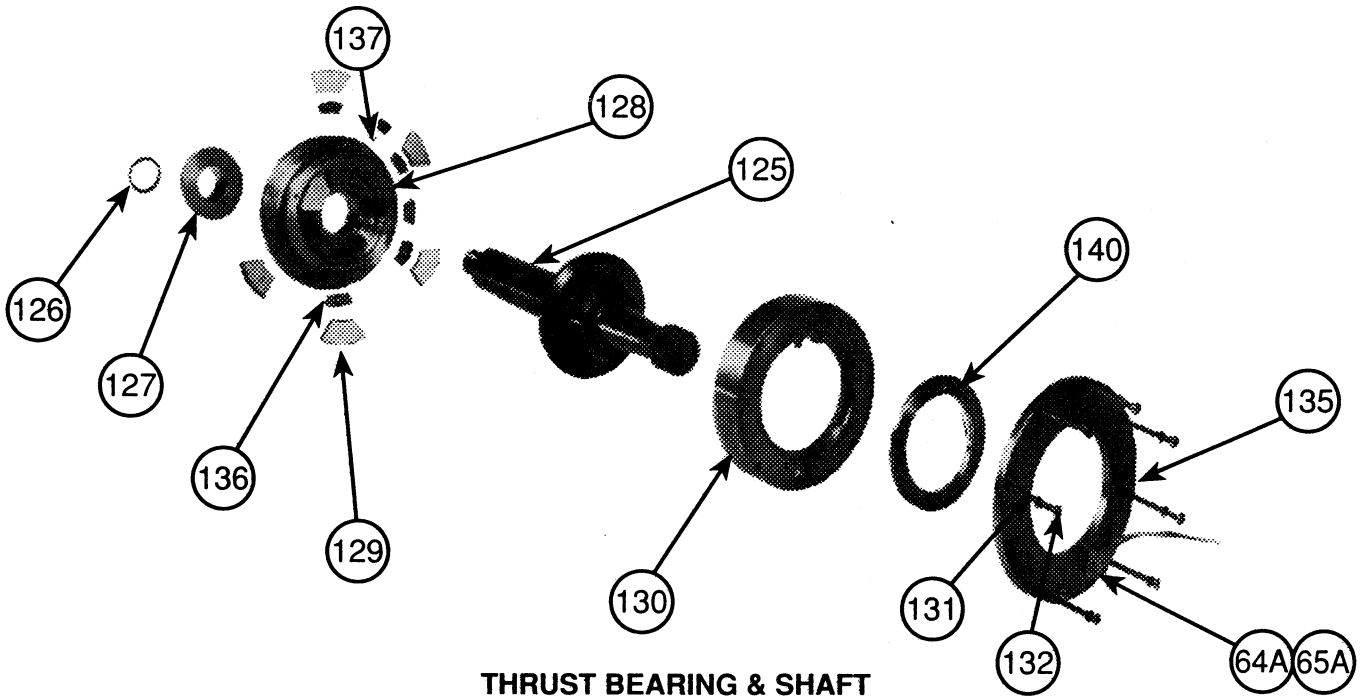
**#108 - SOLENOID VALVE ASSEMBLY**



COMPRESSOR TRANSMISSION ASSEMBLY



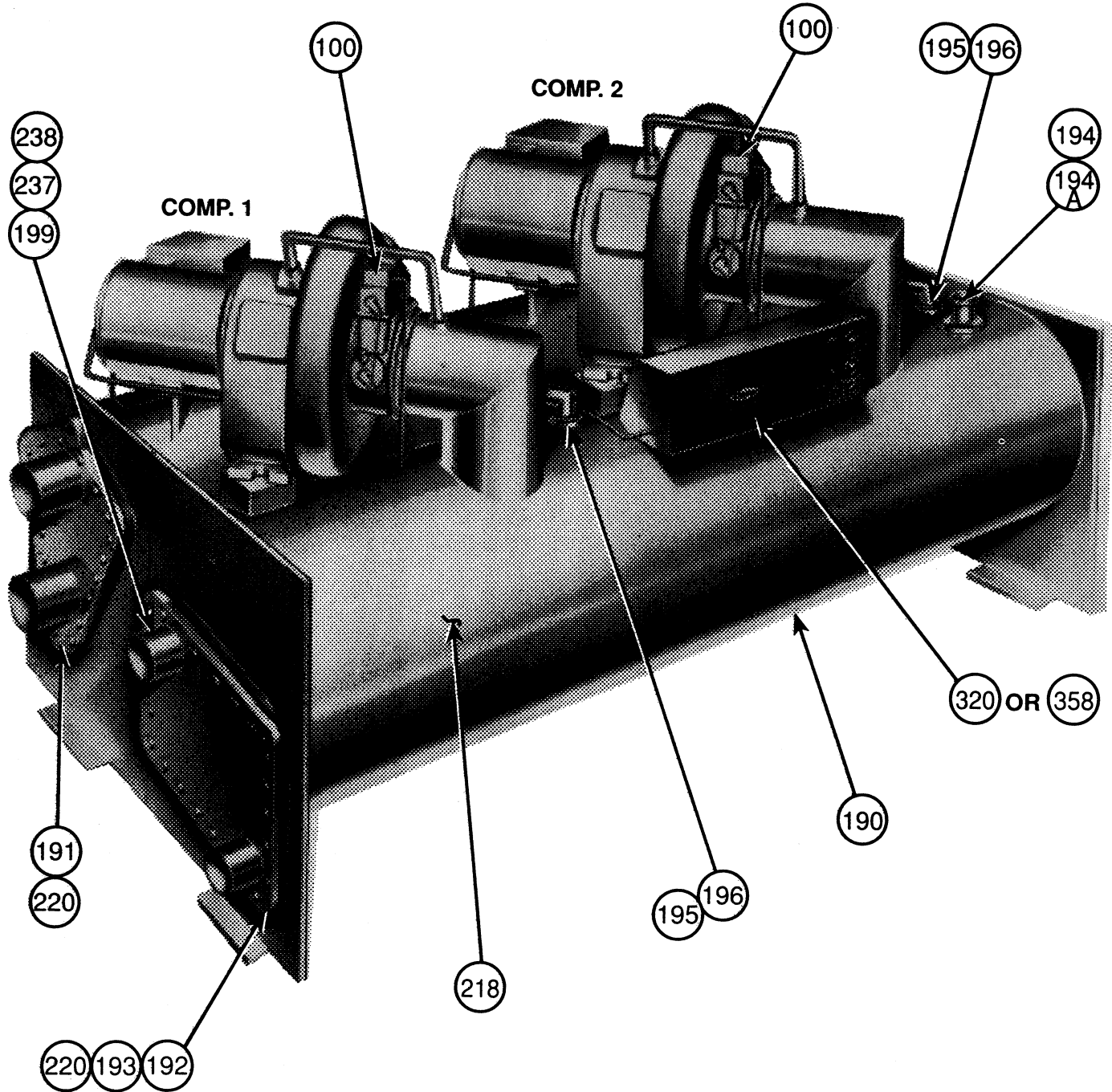
**THRUST BEARING & SHAFT  
19DK/DM 21/212 COMPRESSOR**

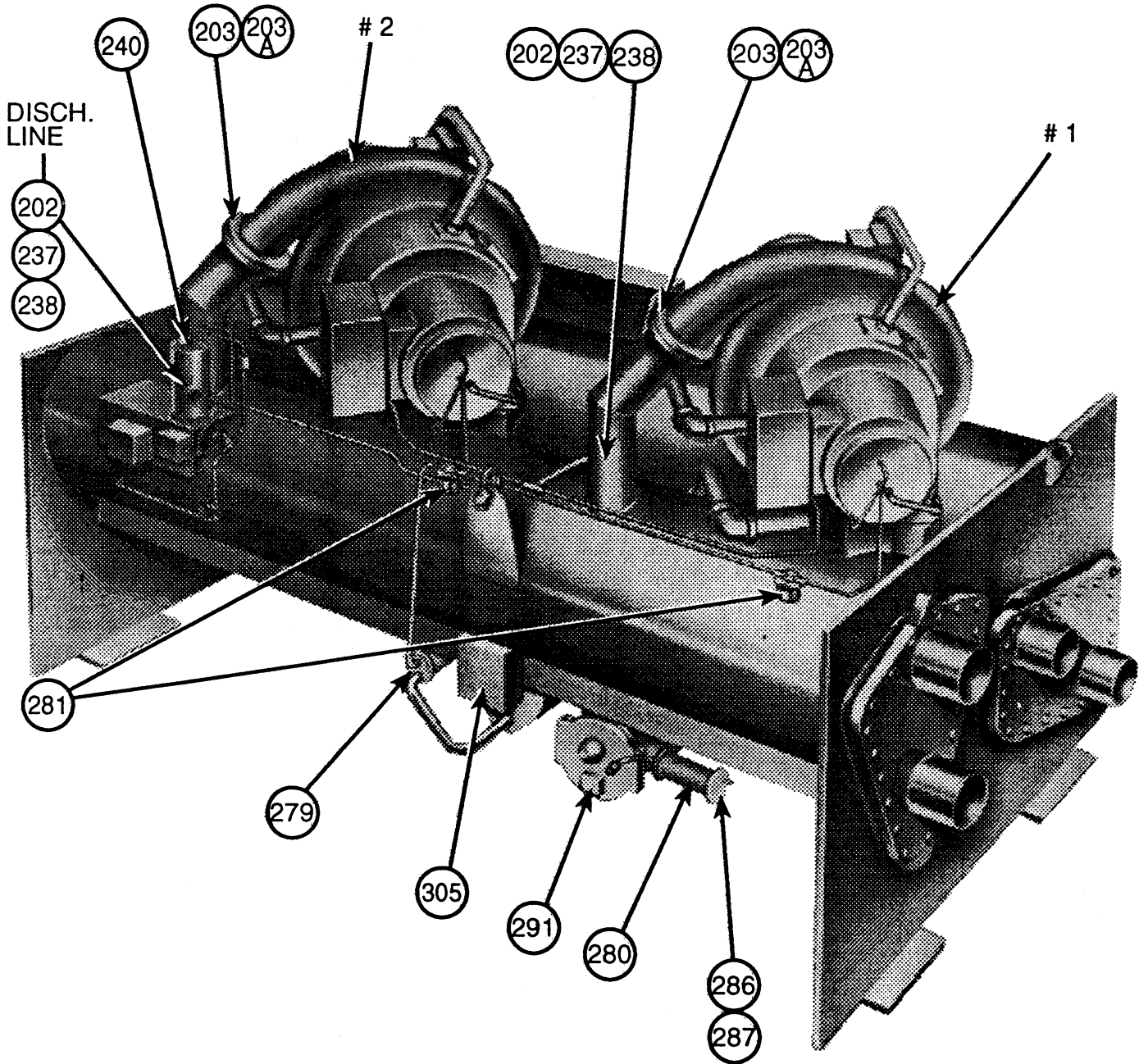


**THRUST BEARING & SHAFT  
19DK/DM 31/312 COMPRESSOR**

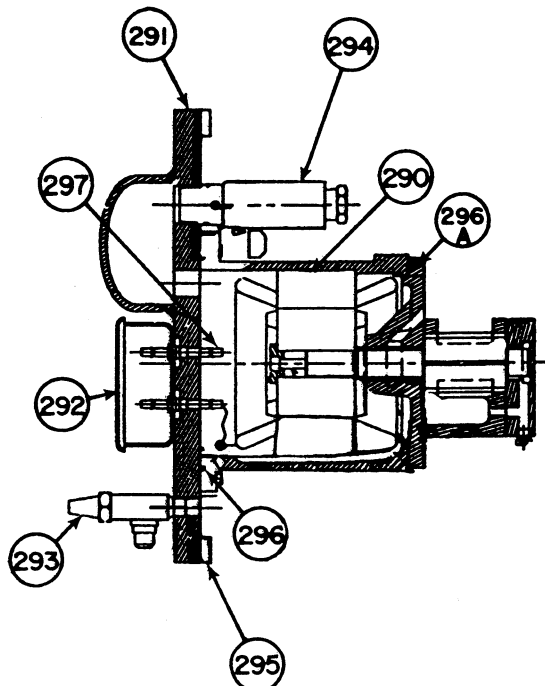
**HERMETIC CENTRIFUGAL CHILLER  
WITH MICROPROCESSOR**

**19 DR**

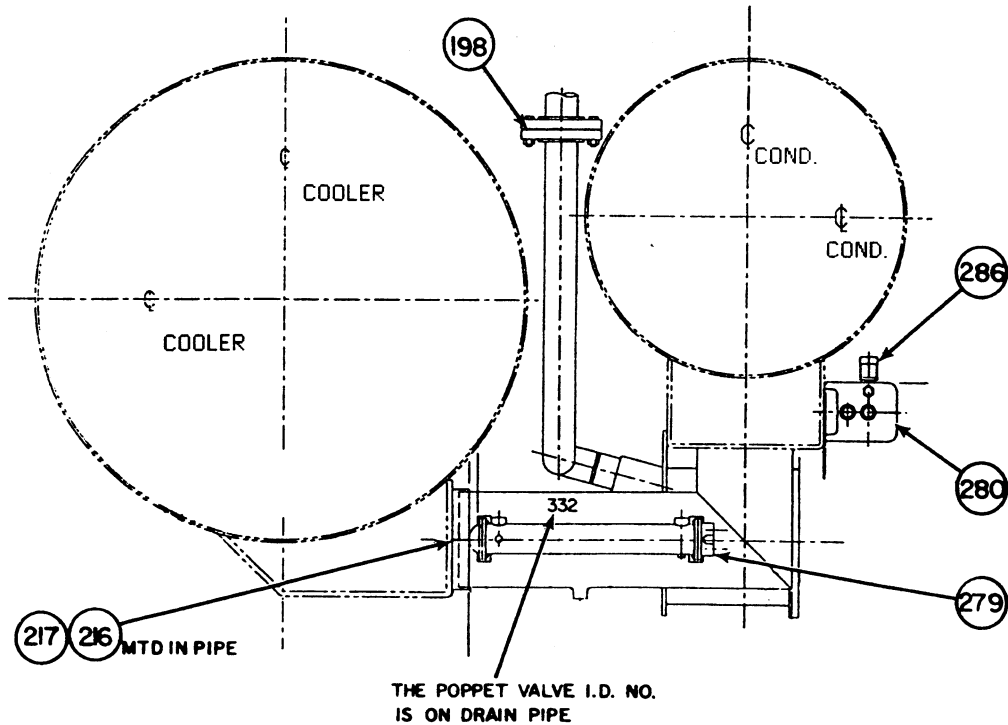




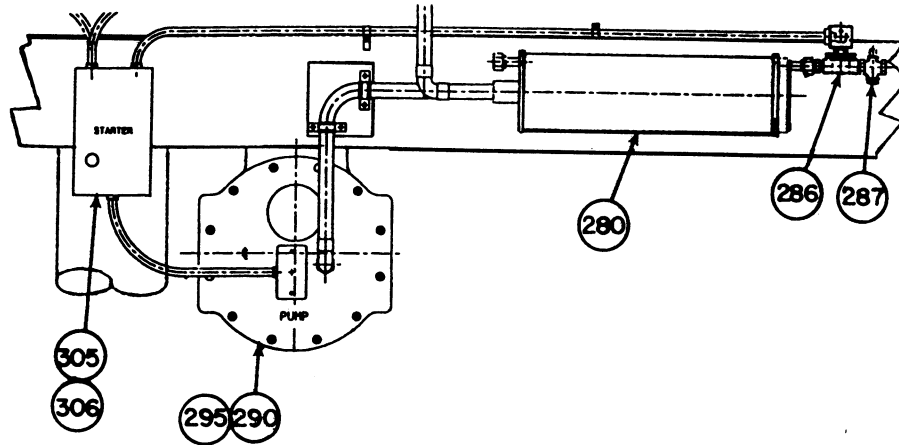
## HERMETIC CENTRIFUGAL CHILLER WITH MICROPROCESSOR



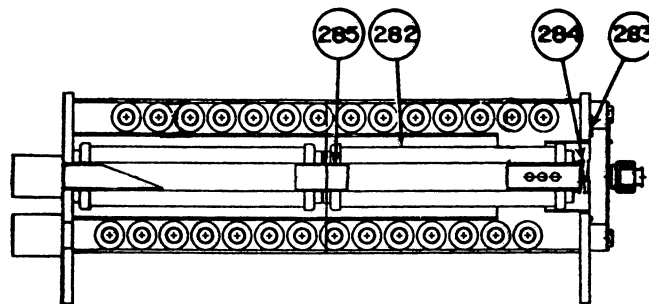
**OIL RESERVOIR COVER ASSEMBLY**



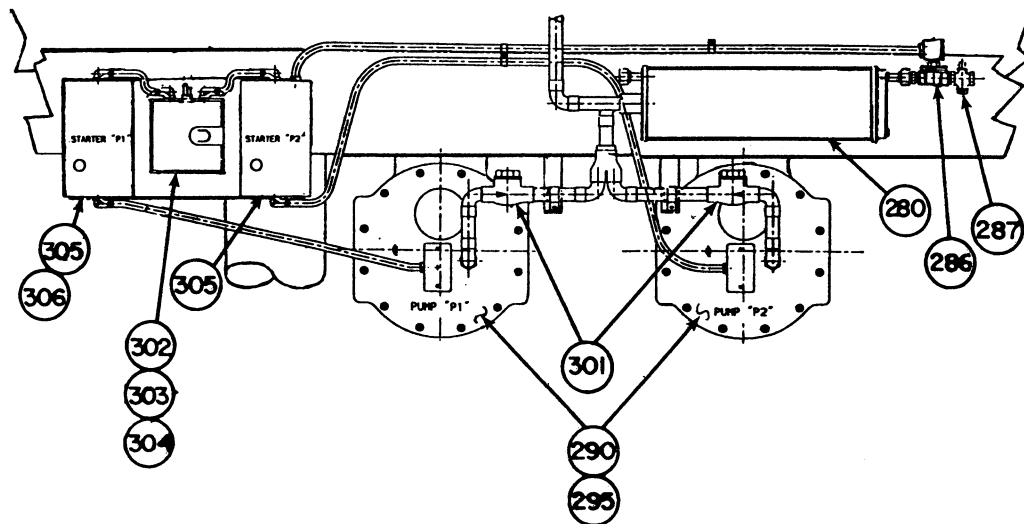
**HERMETIC CENTRIFUGAL CHILLER  
WITH MICROPROCESSOR**



**SINGLE OIL PUMP MACHINES**

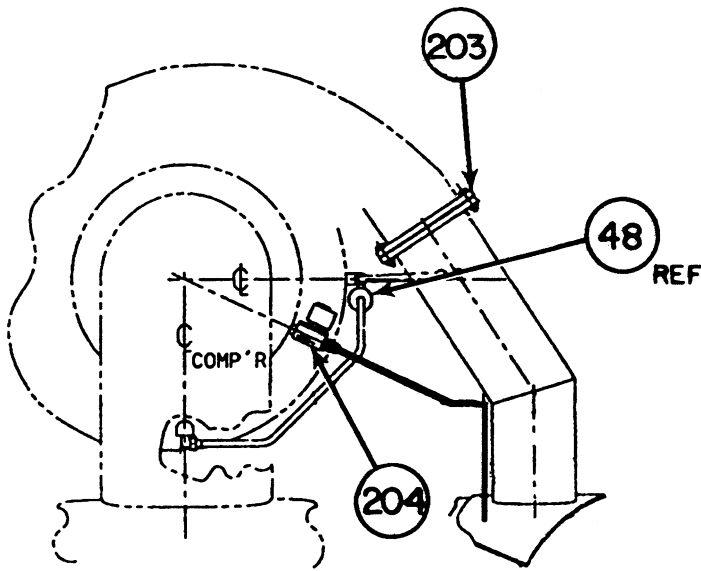
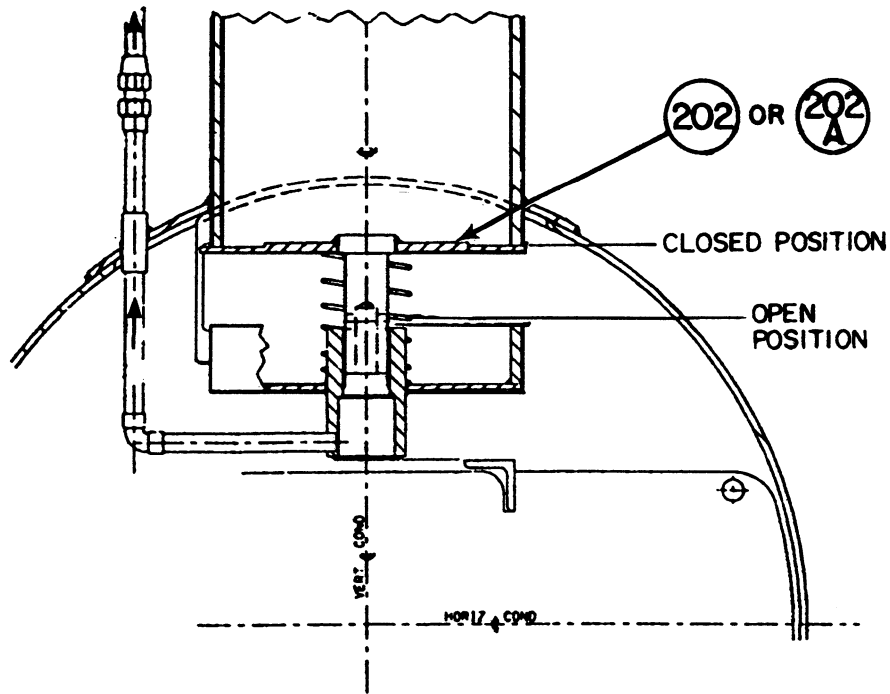


**OIL COOLER FILTER ASSEMBLY, ITEM #280**

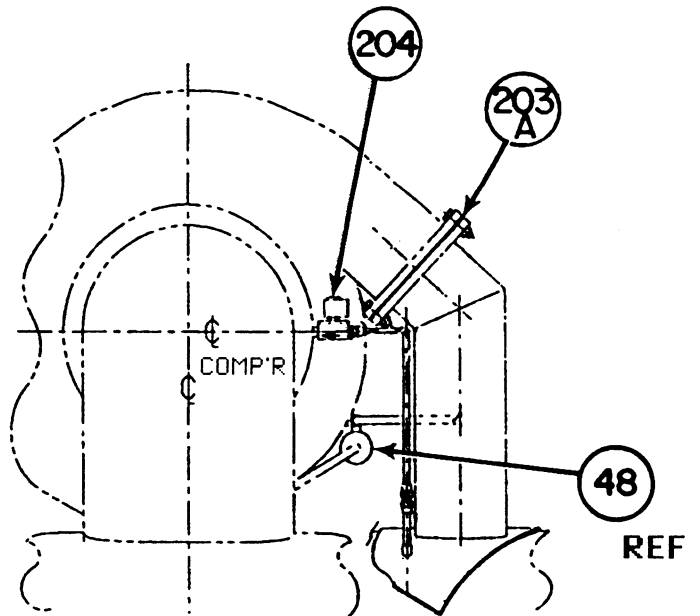


**DUAL OIL PUMP MACHINES**

## HERMETIC CENTRIFUGAL CHILLER WITH MICROPROCESSOR

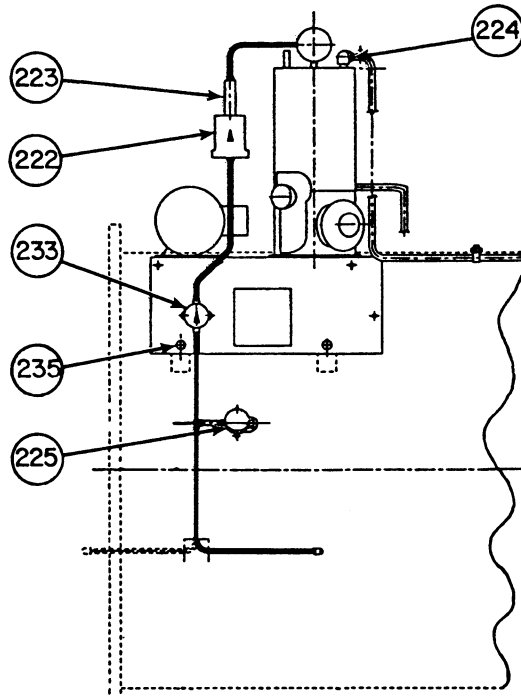
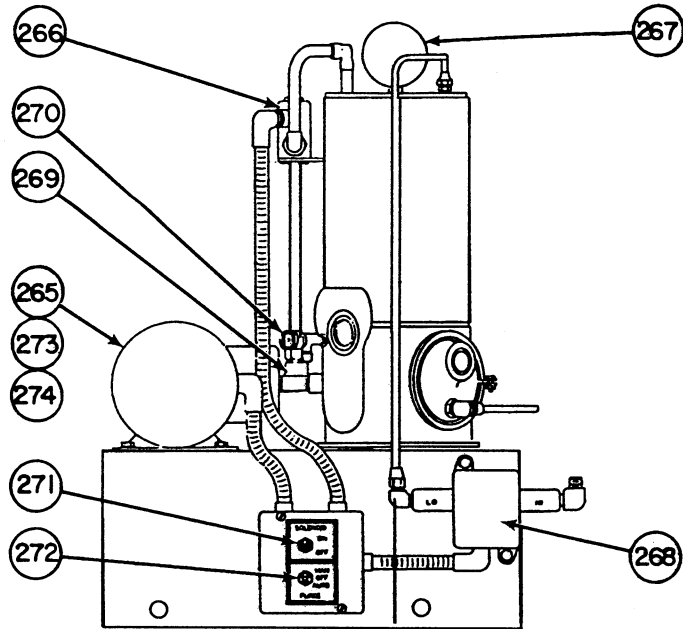


**DK2 COMP'R**



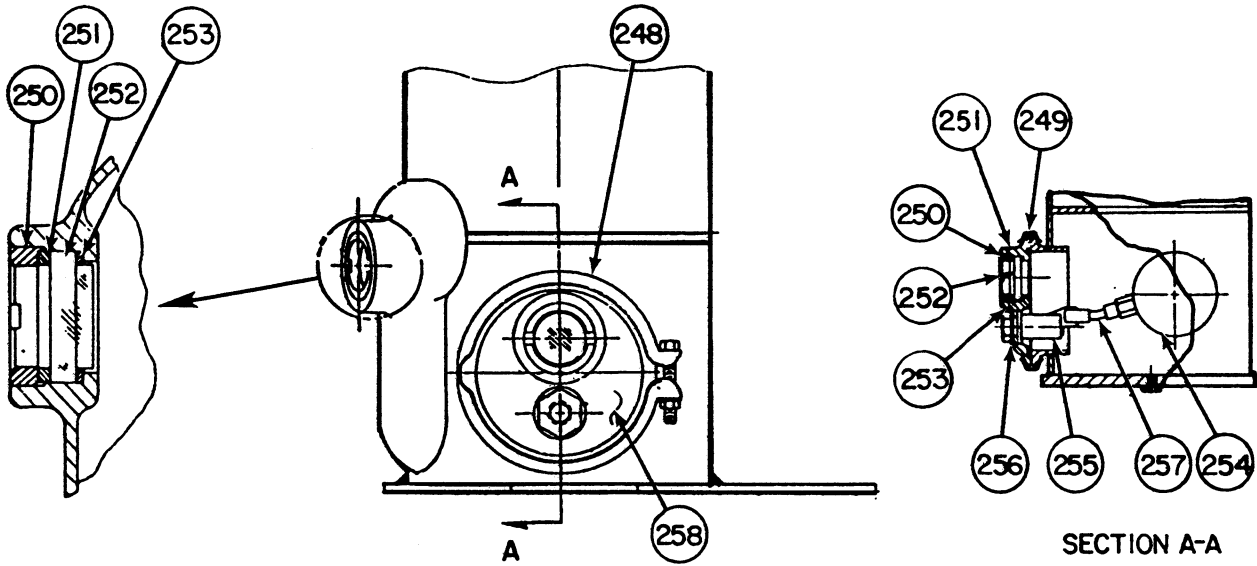
**DM3 COMP'R**

**USE ON 2 COMPRESSOR MACHINES ONLY**

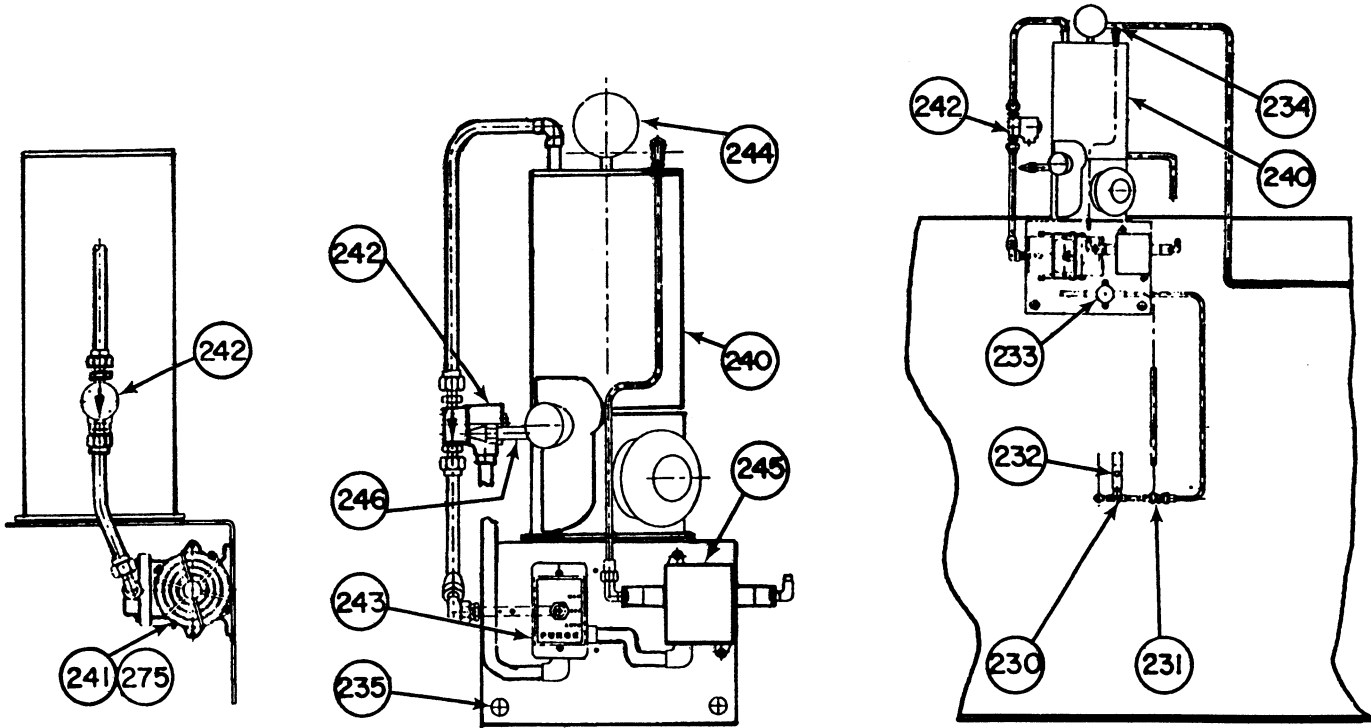


**MACHINE ARRANGEMENT  
PURGE VALVES**

## HERMETIC CENTRIFUGAL CHILLER WITH MICROPROCESSOR

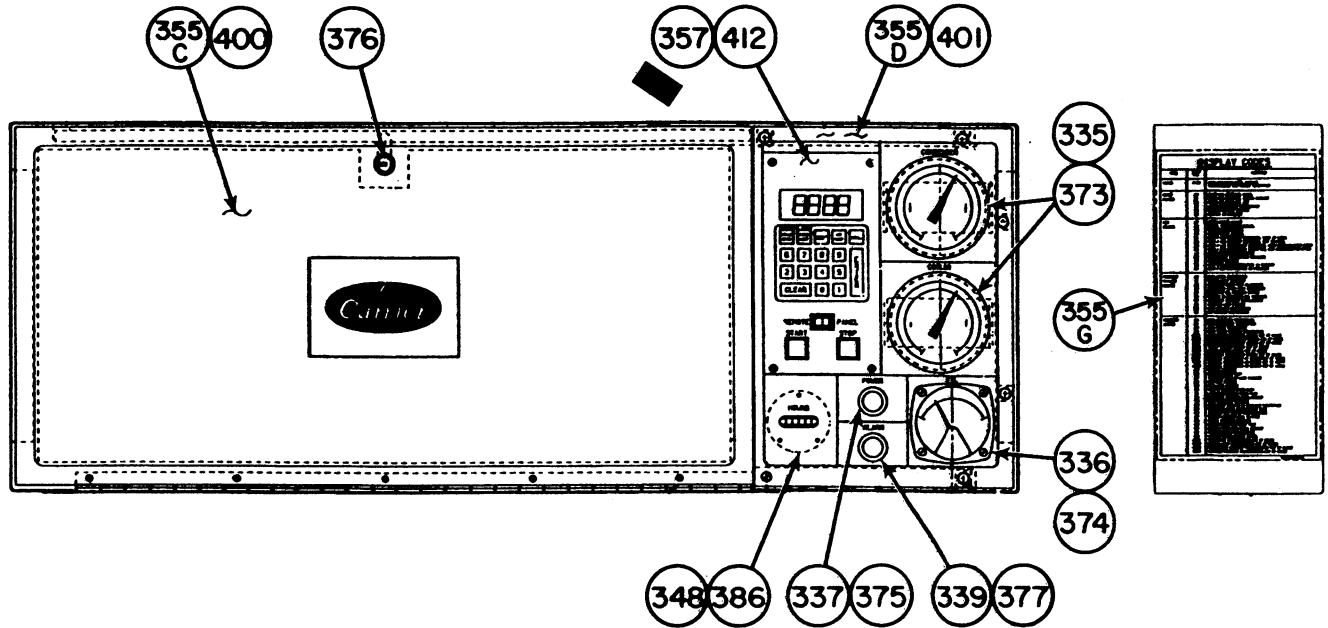


**19DK PURGE CONDENSER ASSEMBLY**

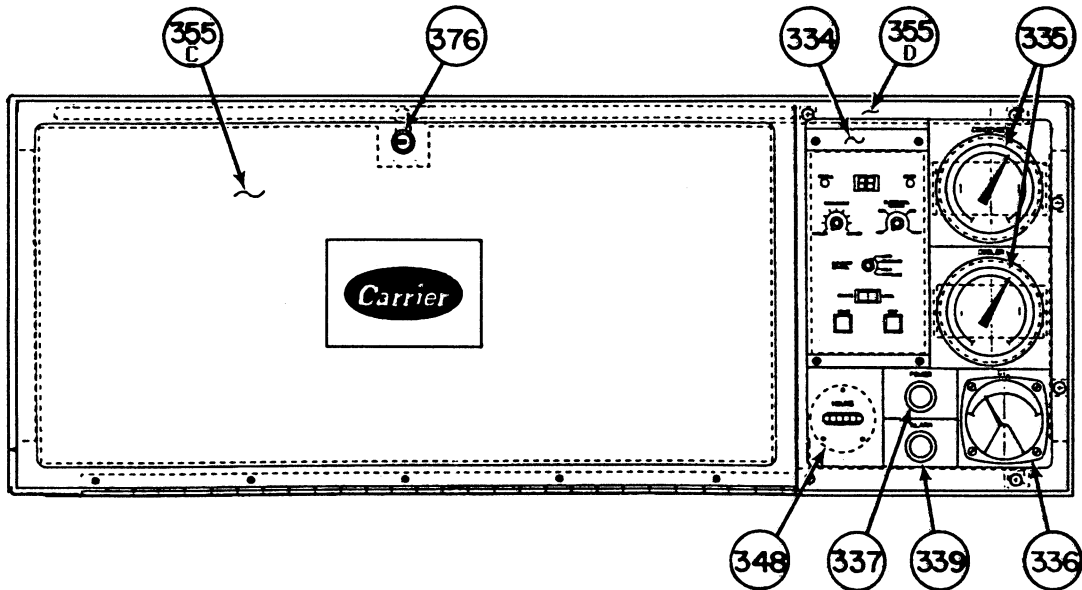


**MACHINE ARRANGEMENT  
PURGE PIPING**

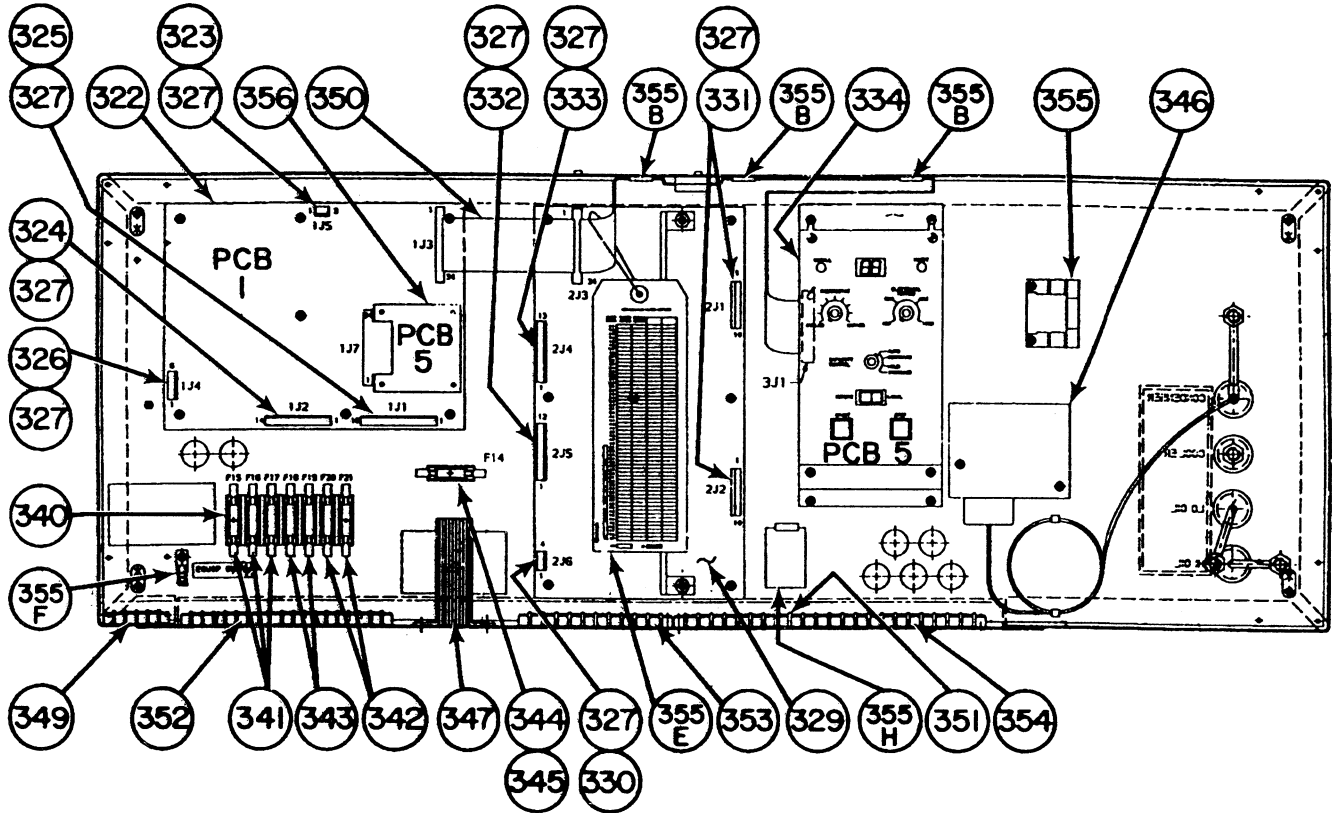
**HERMETIC CENTRIFUGAL CHILLER  
WITH MICROPROCESSOR**



**MICROPROCESSOR CONTROL PANEL ASSEMBLY  
(SHOWN WITH OPTIONAL ESP PANEL)**



**MICROPROCESSOR CONTROL PANEL ASSEMBLY (BASIC)  
ITEM #320, 320A, 358, 358A**



**SINGLE COMPRESSOR MACHINE, ITEM #320B, 320C  
(OPTIONS PANEL SHOWN)**





# HERMETIC CENTRIFUGAL CHILLER WITH MICROPROCESSOR

# 19 DR

ITEM	PART DESCRIPTION	19DK 212	19DK 312	19DM 212	19DM 312
COMPRESSOR GROUP					
1	LABYRINTH ASSEMBLY	19DH21-102	19DH31-102	19DH21-102	19DH31-102
2	LABYRINTH ASSY (NOTE 21, 31 SIZES)	19DM660007	19DM660008	19DM660007	19DM660008
2A	NI LABYRINTH ASSY (31 HI VOLTAGE)	X	19DM660009	X	19DM660009
NOTE: THE 1/4" NPT CONNS IN LABYRINTH ARE USED ONLY ON RELIANCE MOTOR JOBS. THESE CONNS NEED NOT BE PLUGGED IF YOU HAVE AN IDEAL MOTOR IN COMPRESSOR.					
4	"O" RING	KK71PR046	KK71PR047	KK71PR046	KK71PR047
5	SPACER, IMPELLER	19D21-1301	19D31-1301	19D21-1301	19D31-1301
6	KEY, IMPELLER	(3) 19DH212-1032	(3) 19DH312-1032	(3) 19DH212-1032	(3) 19DH312-1032
7	SHIM, IMPELLER	19D21-1551	19D31-1551	19D21-1551	19D31-1551
8	SEAL, STATIC	(4) KK73GV025	(6) ->	(4) ->	(6) ->
9	"O" RING (LABYRINTH)	KK71PR050	KK71PR055	KK71PR050	KK71PR055
10	"O" RING (LABY PASSAGE)	KK71PR004	KK71PR005	KK71PR004	KK71PR005
11	COUPLING, "V" BAND	CT28MM313	CT28MM388	CT28MM313	CT28MM388
12	"O" RING (COMPR BASE / VOLUTE)	KK71ER293	KK71ER371	KK71ER293	KK71ER371
13	COUPLING, "V" BAND	CT28MM204	->	->	->
14	"O" RING (COMPR BASE / MTR HSG)	KK71GX193	->	->	->
15	COUPLING, "V" BAND	CT28MM241	CT28MM278	CT28MM241	CT28MM278
16	"O" RING (VOLUTE / G. V. HSG)	KK71GX195	KK71GX263	KK71GX195	KK71GX263
17	COUPLING "V" BAND (21 A6)	CT28MM165	X	CT28MM165	X
17A	NI COUPLING, "V" BAND (21 CB - CL, 31)	CT28MM204	->	->	->
18	"O" RING (21 A6)	KK71GX155	X	KK71GX155	X
18A	NI "O" RING (21 CB - CL, 31)	KK71GX193	->	->	->
19	GLASS, SIGHT	KM36BZ002	->	->	->
20	FLANGE & NOZZLE ASSY (21 A6)	19DH11-112	X	19DH11-112	X
20A	FLG. & NOZ. ASSY (21 C2 - 6; 31 C4-7)	19DH21-112	->	->	->
20B	FLGE & NOZZLE ASSY (31 C8 - 10)	X	19DG212-112	X	19DG212-112
20C	SPRAY HEADER (21, HC1-6; 31, HC4 -10)	19DH15-143	->	->	->
NOTE: ITEMS #20 ARE ALSO FOR THE 50 HERTZ EQUIVALENT OF MODELS LISTED.					
21	RING, FELT (HI VOLTAGE ONLY)	19DH21-1092	->	->	->
22	BEARING, REAR MOTOR	19DH11-1104	->	->	->
23	"O" RING (REAR BEARING)	KK71PR025	->	->	->
24	NOSE PIECE (1/4 - 28 TAPPING)	19D21-2282	19DH31-1002	19D21-2282	19DH31-1002
24A	NI NOSE PIECE (5/16 - 24 TAPPING)	19DK212-1032	19DK312-1032	19DK212-1032	19DK312-1032
25	LOCKWASHER	19D21-2181	19D31-2181	19D21-2181	19D31-2181
26	PIN, LOCKING	(3) 19D31-2191	(3) ->	(3) ->	(3) ->
27	SCREW, SET (1/4 - 28 CUP POINT)	(2) AE54FR164	(2) AE54FR167	(2) AE54FR164	(2) AE54FR167
27A	NI SCREW, SET (5/16 - 24 CUP PT KNUURL)	(2) AE54BR194	(2) AE54BR197	(2) AE54BR194	(2) AE54BR197
28	GAUGE, TEMPERATURE	(2) KM14BC222P	(2) ->	(2) ->	(2) ->
29	COVER, SIGHT GLASS	17DA81-1822	->	->	->
30	GASKET, SIGHT GLASS	(2) KM39BT041	(2) ->	(2) ->	(2) ->
31	GLASS, SIGHT	KM39BT031	->	->	->
32	ASSEMBLY, DEMISTOR	19DK112-103	->	->	->
33	GASKET, DEMISTOR	19DK119-1053	->	->	->
34	COVER, DEMISTOR ASSEMBLY	19DH11-196	->	->	->
35	NI POTENT. KIT, DIFF. WALL FEEDBACK	X	X	19DM660006	->
INCLUDES: ITEM 35A					
35A	POTENTIOMETER & CABLE ASSY	X	X	19DM116-364	->
36	SPRING, POTENT. (OLDER TYPE)	X	X	19DM232-1202	->
37	END CAP, POTENT. (OLDER TYPE)	X	X	19DM221-1022	->
38	ROD, THREADED	X	X	(3) 19DM221-1102	(3) ->
39	"O" RING	X	X	KK71GX013	->
40	BELLOWS ASSY (8.04" ROD LGTH) (21)	X	X	19DM232-134	X
40A	NI BELLOWS ASSY (7.08" ROD LGTH) (212)	X	X	19DM232-534	X
40B	NI BELLOWS ASSY (10.50" ROD LGTH) (31)	X	X	X	19DM332-134
40C	NI BELLOWS ASSY (8.34" ROD LGTH) (312)	X	X	X	19DM332-534
41	SNAP RING	X	X	AU47AA571	->
42	FITTING, SNAP RING (6 TAPPED HOLES)	X	X	19DM232-1133	->



# HERMETIC CENTRIFUGAL CHILLER WITH MICROPROCESSOR

# 19 DR

ITEM	PART DESCRIPTION	19DK 212	19DK 312	19DM 212	19DM 312
<b>COMPRESSOR GROUP (CONT'D)</b>					
43	NI PISTON (TEFLON COATED) 212 COMP	X	X	19DM232-1073	X
43A	NI PISTON (TEFLON COATED) 312 COMP	X	X	X	19DM332-1073
44	NI VOLUTE "O" RING PACKAGE	X	X	19DM660001	19DM660002
	INCLUDES: ITEMS 44A - 44F				
44A	QUAD - BON RING (VOLUTE)	X	X	KK74ZW196	KK74ZW246
44B	"O" RING (CHAMBER)	X	X	19DM212-1003	19DM222-1003
44C	QUAD - BON RING (SHROUD)	X	X	KK74ZW170	KK74ZW215
44D	NI "O" RING (SUPPLY) (7/8" O.D.)	X	X	KK71GX008	->
44E	QUAD - BON RING (PISTON)	X	X	KK74ZW136	KK74ZW170
44F	"O" RING	X	X	19DM212-1272	19DM312-1272
45	NI PIN, ANTI - ROTATION	X	X	19DM232-1172	19DM332-1172
46	GASKET, SEAL LEAK RETURN	19DK119-1093	->	->	->
47	EJECTOR	17EA013-1572	->	->	->
48	STRAINER	KH11NG070	->	->	->
49	BOX, CONDUIT	HX22FS036	->	->	->
50	BOX, CONDUIT	19DK101-152	->	->	->
51	LIGHT, PILOT (WHITE) (105-125 VDC)	HY19AD024	->	->	->
52	CONNECTOR 3/8" - 90	NSS	->	->	->
53	COVER, TERMINAL BOX	NSS	->	->	->
54	SWITCH, TEMPERATURE	HH16NA020	->	->	->
55	TERMINAL, RING (2)	HY94TW330	(2) ->	(2) ->	(2) ->
56	TERMINAL, RING	HY94TW475	->	->	->
57	HEATER, OIL	HT32ZZ122	->	->	->
58	GASKET, ACCESS OPENING	19DK119-1062	19DK139-1062	19DK119-1062	19DK139-1062
59	TERMINAL, HERMETIC (4)	HY85FP065	(4) ->	(4) ->	(4) ->
60	GASKET, SEAL LEAK RETURN	19DK119-1093	->	->	->
61	"O" RING	KK71GX020	->	->	->
62	WIRING ASSY (THRUST SENSOR)	19DK660004	->	->	->
	INCLUDES: ITEMS 62A - 62C				
62A	NI HARNESS, WIRING	NSS	->	->	->
62B	NI RING, SNAP	AU49AR210	->	->	->
62C	NI RETAINER, GROMMET	19DK212-1052	->	->	->
65	THERMISTOR WIRE ASSY (THRUST)	19DK116-202	->	->	->
	INCLUDES: ITEM 65A				
65A	NI SENSOR	HH79NZ045	->	->	->
66	SENSOR, TEMP (MOTOR WINDINGS)	32MP500354	->	->	->
<b>GUIDE VANE &amp; BLADE RING ASSEMBLY</b>					
67	BLADE RING ASSEMBLY	19DA21-143	19DA31-143	19DM232-104	19DA332-104
	INCLUDES: ITEMS 68 - 78				
68	PULLEY, DRIVE	19D21-2063	->	->	->
69	CABLE ASSEMBLY	19D21-192	19D31-192	19D21-192	19D31-192
70	BUSHING (IDLER PULLEY)	(9) KT53XL055	(9) ->	(9) ->	(9) ->
71	PIN PACKAGE	19DA21-001	->	->	->
	INCLUDES: ITEMS 72 - 74				
72	NI PIN (9)	NSS	(9) ->	(9) ->	(9) ->
73	NI WASHER (18)	NSS	(18) ->	(18) ->	(18) ->
74	NI COTTER PIN (18)	AX01AA016	(18) ->	(18) ->	(18) ->
75	PULLEY, IDLER (9)	19D21-1252	(9) ->	(9) ->	(9) ->
76	PULLEY, BLADE (8)	19D21-1242	(8) ->	(8) ->	(8) ->
77	BUSHING (FOR ITEM # 78)	(18) KT53XL093	(18) ->	(18) ->	(18) ->
78	BLADE, PRE WHIRL (9)	19D21-1044	(9) 19D31-1044	(9) 19D21-1044	(9) 19D31-1044
79	SHAFT & SEAL ASSY 1/2" (VERT CUP)	19D21-113	->	->	->
79A	NI SHAFT & SEAL ASSY 1/2" (SMALL CAP)	19DM212-213	->	->	->
79B	SHAFT & SEAL ASSY 7/8" (ANGLE CUP)	19DM222-253	->	->	->
	INCLUDES: ITEMS 80 - 99				
80	SHAFT (1/2" DIA. CRANK END) (FOR #79)	19D21-1063	->	->	->
80A	NI SHAFT (1/2" DIA. CRANK END) (#79A)	19DM212-1103	->	->	->
80B	SHAFT (7/8" DIA. CRANK END) (#79B)	19DM212-1123	->	->	->
81	ROLL PIN	AX14CA042	->	->	->
82	KEY	19D21-1391	->	->	->



# HERMETIC CENTRIFUGAL CHILLER WITH MICROPROCESSOR

# 19 DR

ITEM	PART DESCRIPTION	19DK 212	19DK 312	19DM 212	19DM 312
<b>GUIDE VANE &amp; BLADE RING ASSEMBLY (CONT'D)</b>					
83	HOUSING, BEARING ( FOR #79 )	19D21-1073	->	->	->
83A	HOUSING, BEARING ( FOR #79A,79B )	19DM222-1093	->	->	->
84	FLANGED NYLINER	KT58BZ082	->	->	->
85	WASHER, OUTER THRUST	(2) 19DM212-1282	(2) ->	(2) ->	(2) ->
86	RING, BOWED RETAINER	(2) AU45AR187	(2) ->	(2) ->	(2) ->
87	*O* RING ( 2 3/8" O. D. )	KK71PR020	->	->	->
88	*O* RING ( 1 3/8" O. D. )	(2) KK71PR015	(2) ->	(2) ->	(2) ->
89	OIL CUP ( SNAP CAP)(PRESS IN)( 79A )	CW51ZZ001	->	->	->
89A	OILER, RESERVOIR 1/8" NPT ( 79,79B )	CW51EG603	->	->	->
90	SHAFT SEAL PACKAGE	19C35-014	->	->	->
	INCLUDES: ITEMS 91 - 93				
91	QUAD-RING	KK74ZW181	->	->	->
92	QUAD-RING	KK74ZW112	->	->	->
93	SEAL, MECHANICAL	NSS	->	->	->
95	WASHER, THRUST ( INNER )	KT59WL160	->	->	->
97	*O* RING	KK71GZ018	->	->	->
99	SEAL, OIL	KT90UL087	->	->	->
100	MOTOR, ACTUATOR 115VAC-1-50/60	HF26BB061	->	->	->
	INCLUDES: ITEM 101				
101	FEEDBACK POT	HT24AV120	->	->	->
102	CONNECTOR, LINKAGE	(2) HF91BB125	(2) ->	(2) ->	(2) ->
103	CRANK ARM (LOWER)(CST)(1/2" BORE)	19D23-2152	->	->	->
103A	CRANK ARM (LOWER)(STL)(7/8" BORE)	19DM212-1322	->	->	->
104	CRANK ARM (UPPER)(CST)(1/2" BORE)	19EB412-1032	->	->	->
104A	CRANK ARM (UPPER)(STL)(7/8" BORE)	19DM212-1312	->	->	->
105	LOCKWASHER, SPRING 1/4"	(2) NSS	(2) ->	(2) ->	(2) ->
106	PUSH ROD	19DG112-1002	->	->	->
107	SOLENOID VALVE ASSY (1/8" VALVES)	X	X	19DM232-154	->
108	SOLENOID VALVE ASSY (1/4" VALVES)	X	X	19DM232-744	->
	INCLUDES: ITEMS 109 - 116				
109	VALVE, SOLENOID ( 1/8" )	X	X	(4) EF13CU032	(4) ->
110	VALVE, SOLENOID ( 1/4" )	X	X	(4) EF13CU063	(4) ->
111	VALVE, NEEDLE ( 1/8" )	X	X	(2) ER40EA031	(2) ->
112	VALVE, NEEDLE ( 1/4" )	X	X	(2) ER40FA061	(2) ->
113	BOX, JUNCTION ( 1/8" VALVE ASSY )	X	X	HX07FB048	->
114	BOX, JUNCTION ( 1/4" VALVE ASSY )	X	X	19DM232-1452	->
115	RING, EXTENSION ( OUTER BOX )	X	X	HX22FS036	->
116	NIPPLE, INSUL. CHASE ( VALVE / BOX )	X	X	(4) HW13FA001	(4) ->
117	STRAINER ASSY ( 1/8" VALVE ONLY )	X	X	(2) 19DM232-102	(2) ->
<b>COMPRESSOR - TRANSMISSION - ASSEMBLY</b>					
118	BEARING ASSEMBLY ( BULL GEAR )	19D21-244	19D31-244	19D21-244	19D31-244
119	BEARING ASSEMBLY 50 HZ	19D21-464	19D31-464	19D21-464	19D31-464
119A	BEARING ASSEMBLY 60 HZ	19D21-234	19D31-234	19D21-234	19D31-234
120	PINION PACKAGE 50 HZ	19DA21-181	19DA31-181	19DA21-181	19DA31-181
120A	PINION PACKAGE 60 HZ	19D21-841	19D31-841	19D21-841	19D31-841
121	KEY, PINION	(2) 19D21-1411	(2) 19D31-1411	(2) 19D21-1411	(2) 19D31-1411
122	LOCK NUT, BULL GEAR	KT89ZZ390	KT89ZZ420	KT89ZZ390	KT89ZZ420
123	LOCKWASHER, MULTI TANG	AU46AA601	AU46AA721	AU46AA601	AU46AA721
<b>THRUST BEARING &amp; SHAFT ASSEMBLY</b>					
124	THRUST BEARING & SHAFT ASSY	19DK212-104	19DK312-104	19DK212-104	19DK312-104
	INCLUDES: ITEMS 125 - 140				
125	SHAFT, IMPELLER	19DH21-1003	19DH31-1004	19DH21-1003	19DH31-1004
126	RETAINING RING, EXTERNAL	AU49AR143	AU49AR181	AU49AR143	AU49AR181
127	SLINGER	19D21-1292	19D31-1292	19D21-1292	19D31-1292
128	BEARING ASSY ( W / DOWEL PINS )	19DA21-171	19DH31-171	19DA21-171	19DH31-171
129	THRUST SHOE ASSY (SET OF 6)	19DA23-203	19DA33-203	19DA23-203	19DA33-203
130	RING, SPACER	19DK212-1034	19DK312-1034	19DK212-1034	19DK312-1034
131	LOCKWASHER #8	X	(8) AU11AR101	X	(8) AU11AR101
132	SCREW, PAN HEAD #8-32 X 1 3/4" LG	X	(8) AC41AA110	X	(8) AC41AA110
133	CAPSCREW, SCKT HD #8-32 X 1/4" LG.	NSS	X	NSS	X



# HERMETIC CENTRIFUGAL CHILLER WITH MICROPROCESSOR

# 19 DR

ITEM	PART DESCRIPTION	19DK 212		19DK 312		19DM 212		19DM 312	
<b>THRUST BEARING &amp; SHAFT ASSEMBLY ( CONT ' D )</b>									
134	RING, SEAL		19DK212-1022		X		19DK212-1022		X
135	RING, RETAINING		19DK212-1013		19DK312-1012		19DK212-1013		19DK312-1012
136	PAD, LEVELING	(12)	19D21-0052	(12)	19D32-0052	(12)	19D21-0052	(12)	19D32-0052
137	PAD PACKAGE, ADJUSTING		19D23-841		->		->		->
139	CAPSCREW,SCKT HD #8-32 X 1 1/2"LG	(5)	AA44AA109		X	(5)	AA44AA109		X
140	SEAL RING & PIN ASSEMBLY		X		19DA33-472		X		19DA33-472
<b>COMPRESSOR TERMINAL GROUP</b>									
171	INSULATOR,TERM.1 1/4" NPT (HI-VOLT)	(3)	19FA502-1504	(3)	->	(3)	->	(3)	->
172	RETAINER,TERMINAL ( HI - VOLTAGE )	(6)	19FA502-1242	(6)	->	(6)	->	(6)	->
173	RING, PACKING ( HI - VOLTAGE )	(3)	19FA502-1232	(3)	->	(3)	->	(3)	->
174	NUT, PACKING ( HI - VOLTAGE )	(3)	19FA502-1222	(3)	->	(3)	->	(3)	->
175	NUT, JAM 9/16 - 18 ( HI - VOLTAGE )	(3)	AT14QA311	(3)	->	(3)	->	(3)	->
176	TERMINAL, LOW VOLTAGE 1" NPT	(6)	19DA11-1502	(6)	->	(6)	->	(6)	->
177	ADAPTER,TERMINAL (.611 DIA CABLE)	(3)	19EA41-004	(3)	->	(3)	->	(3)	->
178	ADAPTER,TERMINAL (.789 DIA CABLE)	(3)	19EA41-005	(3)	->	(3)	->	(3)	->

Catalog No.: 19 . 027 ( 08 - 93 )

Page : 27

Supersedes: 19 . 015 ( 06 - 86 )

Note: See "Catalog Notes " on last page for explanation of symbolism.

Litho in U.S.A.



# HERMETIC CENTRIFUGAL CHILLER WITH MICROPROCESSOR

# 19 DR

ITEM	PART DESCRIPTION	REPLACEMENT PART NUMBER
UNISHELL & INTERCONNECTING PIPING GROUP		
190	GLOBE VALVE 3/4" NPT	ER39BE090
NOTE: THE 1 & 3 PASS VESSELS ( NOZZLE ON EACH END) USES THE SAME GASKET ON BOTH ENDS. ON A 2 OR 4 PASS VESSEL ( INLET / OUTLET SAME END) WITH MARINE W/ B'S, THE PLAIN END ( NO NOZZLE END ) USES SAME GASKET AS A NIH TYPE OF THE SAME FRAME SIZE.		
191	GASKET, CONDENSER W/ B ( 50 - 59 ) 150 PSI NIH	(2) 19DR504-1004
191A	NI GASKET, CONDENSER W/ B ( 60 - 69 ) 150 PSI NIH	(2) 19DR604-1004
191B	NI GASKET, CONDENSER W/ B ( 50 - 59 ) 300 PSI NIH	(2) 19DR504-1014
191C	NI GASKET, CONDENSER W/ B ( 60 - 69 ) 300 PSI NIH	(2) 19DR604-1014
191D	NI GASKET, CONDENSER W/ B ( 50 - 59 ) 150 1, 3 PASS MARINE	(2) 19DR504-1074
191E	NI GASKET, CONDENSER W/ B ( 50 - 59 ) 150 2, 4 PASS MAR NOZZLE END	19DR504-1074
191F	NI GASKET, CONDENSER W/ B ( 50 - 59 ) 150 2, 4 PASS MAR PLAIN END	19DR504-1004
191G	NI GASKET, CONDENSER W/ B ( 50 - 59 ) 300 1, 3 PASS MARINE	(2) 19DR514-1074
191H	NI GASKET, CONDENSER W/ B ( 50 - 59 ) 300 2, 4 PASS MAR NOZZLE END	19DR514-1074
191J	NI GASKET, CONDENSER W/ B ( 50 - 59 ) 300 2, 4 PASS MAR PLAIN END	19DR504-1014
191K	NI GASKET, CONDENSER W/ B ( 60 - 69 ) 150 1, 3 PASS MARINE	(2) 19DR604-1074
191L	NI GASKET, CONDENSER W/ B ( 60 - 69 ) 150 2, 4 PASS MAR NOZZLE END	19DR604-1074
191M	NI GASKET, CONDENSER W/ B ( 60 - 69 ) 150 2, 4 PASS MAR PLAIN END	19DR604-1004
191N	NI GASKET, CONDENSER W/ B ( 60 - 69 ) 300 1, 3 PASS MARINE	(2) 19DR614-1074
191P	NI GASKET, CONDENSER W/ B ( 60 - 69 ) 300 2, 4 PASS MAR NOZZLE END	19DR614-1074
191Q	NI GASKET, CONDENSER W/ B ( 60 - 69 ) 300 2, 4 PASS MAR PLAIN END	19DR604-1014
192	GASKET, COOLER W/ B ( 50 - 52, 55, 56 ) 150 NIH	(2) 19DR503-1004
192A	NI GASKET, COOLER W/ B ( 50 - 52, 55, 56 ) 300 NIH	(2) 19DR503-1014
192B	NI GASKET, COOLER W/ B ( 53, 54, 57 - 59 ) 150 NIH	(2) 19DR523-1004
192C	NI GASKET, COOLER W/ B ( 53, 54, 57 - 59 ) 300 NIH	(2) 19DR523-1014
192E	NI GASKET, COOLER W/ B ( 50, 51, 55, 56 ) 150 MAR 2 & 4 PASS NOZZLE END	19DR503-1053
192F	NI GASKET, COOLER W/ B ( 50, 51, 55, 56 ) 150 MAR 2 & 4 PASS PLAIN END	19DR503-1073
192G	NI GASKET, COOLER W/ B ( 52, 57 ) 150 MAR 2, 4 PASS NOZZLE END	19DR523-1053
192H	NI GASKET, COOLER W/ B ( 52, 57 ) 150 MAR 2, 4 PASS PLAIN END	19DR523-1073
192I	NI GASKET, COOLER W/ B ( 53, 54, 58, 59 ) 150 MAR 2 & 4 PASS NOZZLE END	19DR533-1053
192J	NI GASKET, COOLER W/ B ( 53, 54, 58, 59 ) 150 MAR 2 & 4 PASS PLAIN END	19DR533-1073
192K	NI GASKET, COOLER W/ B ( 50, 51, 55, 56 ) 150 MAR 3 PASS	(2) 19DR503-1053
192L	NI GASKET, COOLER W/ B ( 52 - 57 ) 150 3 PASS MARINE	(2) 19DR523-1053
192M	NI GASKET, COOLER W/ B ( 53, 54, 58, 59 ) 150 3 PASS MARINE	(2) 19DR533-1053
192N	NI GASKET, COOLER W/ B ( 50, 51, 55, 56 ) 300 2, 4 PASS MAR NOZZLE END	19DR503-1063
192O	NI GASKET, COOLER W/ B ( 50, 51, 55, 56 ) 300 2, 4 PASS MAR PLAIN END	19DR503-1083
192P	NI GASKET, COOLER W/ B ( 52, 57 ) 300 2, 4 PASS MAR NOZ END	19DR523-1063
192Q	NI GASKET, COOLER W/ B ( 50, 51, 55, 56 ) 300 2, 4 PASS MAR PLAIN END	19DR523-1083
192R	NI GASKET, COOLER W/ B ( 52, 57 ) 300 2, 4 PASS MAR NOZZLE END	19DR533-1063
192S	NI GASKET, COOLER W/ B ( 52, 57 ) 300 2, 4 PASS MAR PLAIN END	19DR533-1083
192T	NI GASKET, COOLER W/ B ( 53, 54, 58, 59 ) 300 2, 4 MAR NOZZLE END	19DR503-1063
192U	NI GASKET, COOLER W/ B ( 53, 54, 58, 59 ) 300 2, 4 MAR PLAIN END	19DR523-1063
192V	NI GASKET, COOLER W/ B ( 50, 51, 55, 56 ) 300 3 PASS MARINE	(2) 19DR503-1063
192W	NI GASKET, COOLER W/ B ( 52, 57 ) 300 3 PASS MARINE	(2) 19DR523-1063
192X	NI GASKET, COOLER W/ B ( 53, 54, 58, 59 ) 300 3 PASS MARINE	(2) 19DR533-1063
192Y	NI GASKET, COOLER W/ B ( 60, 65 ) 150 2, 4 PASS MAR NOZZLE END	19DR603-1053
192Z	NI GASKET, COOLER W/ B ( 60, 65 ) 150 2, 4 PASS MAR PLAIN END	19DR603-1073
193	GASKET, COOLER W/ B ( 61 - 63, 66 - 68 ) 150 2, 4 PASS MAR NOZZLE END	19DR613-1053
193A	NI GASKET, COOLER W/ B ( 61 - 63, 66 - 68 ) 150 2, 4 PASS MAR PLAIN END	19DR613-1053
193B	NI GASKET, COOLER W/ B ( 64, 69 ) 150 2, 4 PASS MAR NOZZLE END	19DR643-1073
193C	NI GASKET, COOLER W/ B ( 64, 69 ) 150 2, 4 PASS MAR PLAIN END	19DR613-1073
193D	NI GASKET, COOLER W/ B ( 60, 65 ) 150 3 PASS MARINE	(2) 19DR603-1053
193E	NI GASKET, COOLER W/ B ( 61 - 63, 66 - 68 ) 150 3 PASS MARINE	(2) 19DR613-1053
193F	NI GASKET, COOLER W/ B ( 64 - 69 ) 150 3 PASS MARINE	(2) 19DR643-1053
193G	NI GASKET, COOLER W/ B ( 60, 65 ) 300 3 PASS MARINE	(2) 19DR603-1063
193H	NI GASKET, COOLER W/ B ( 61 - 63, 66 - 68 ) 300 3 PASS MARINE	(2) 19DR613-1063
193J	NI GASKET, COOLER W/ B ( 64, 69 ) 300 3 PASS MARINE	(2) 19DR613-1063
193K	NI GASKET, COOLER W/ B ( 60, 65 ) 300 2, 4 PASS MAR NOZZLE END	19DR603-1063
193L	NI GASKET, COOLER W/ B ( 60, 65 ) 300 2, 4 PASS MAR PLAIN END	19DR603-1083
193M	NI GASKET, COOLER W/ B ( 61 - 63, 66 - 68 ) 300 2, 4 MAR NOZZLE END	19DR613-1063
193N	NI GASKET, COOLER W/ B ( 61 - 63, 66 - 68 ) 300 2, 4 MAR PLAIN END	19DR613-1063
193P	NI GASKET, COOLER W/ B ( 64, 69 ) 300 2, 4 PASS MAR NOZZLE END	19DR643-1083



# HERMETIC CENTRIFUGAL CHILLER WITH MICROPROCESSOR

# 19 DR

ITEM	PART DESCRIPTION	REPLACEMENT PART NUMBER
UNISHELL & INTERCONNECTING PIPING GROUP ( CONT ' D )		
193Q	NI GASKET, COOLER W/ B ( 64, 69 ) 300 2,4 PASS MAR PLAIN END	19DR613-1083
194	RUPTURE DISC	19CB511-1532
194A	GASKET, RUPTURE DISC	(2) CR90SZ002
NOTE: DUE TO THE LIMITATIONS OF THE SYSTEM USED TO PRODUCE THIS CATALOG WE CAN NOT CALL OUT VARIABLE QUANTITIES OF PARTS REQUIRED FOR A DUAL COMPRESSOR MACHINE ABOVE THAT USED ON A SINGLE COMPRESSOR MACHINE. IT MUST BE DETERMINED IN THE FIELD IF MULTIPLE QUANTITIES OF A PARTICULAR PART IS NEEDED TO SERVICE YOUR DUAL COMPRESSOR MACHINE.		
195	VALVE, BACK PRESSURE	19D11-1962
196	GASKET, FULL FACE 2" ( REFRIG DRAIN )	19DK119-1132
197	GASKET, OIL DRAIN 3" ( COMPR END )	19DK119-1103
198	GASKET, OIL DRAIN 3" ( LINE FLG )	19DK119-1142
201	RELIEF, STRAIN ( SENSORS )	HW60ZW250
202	VALVE, CHECK 8" 212 COMPR	19DR660004
202A	VALVE, CHECK 10" 312 COMPR	19DR660005
203	GASKET, DISCHARGE 8" 212 COMPR	19DK129-1043
203A	GASKET, DISCHARGE 10" 312 COMPR	19DK139-1043
204	VALVE, SOLENOID 1/2" ( DISCH VALVE LINE )	EF13CU184
206	FILTER ASSEMBLY ( 1 PER COMPR )	KH11YZ141
INCLUDES: ITEMS 206A - 206C		
206A	CARTRIDGE, FILTER	KH19YZ140
206B	SEAL, BOLT	AU52NA301
206C	"O" RING	KK71PR040
207	ORIFICE ( 1 PER LO VOLTAGE )	19DG11-1092
207A	ORIFICE ( 2 PER HI VOLTAGE )	19DG11-1092
208	NI STRAINER ( MOTOR COOL SUPPLY )	KH11HH062
209	GASKET ( DEMISTOR VENT LINE )	19DK119-1093
210	PROBE, CONDENSER ( PURGE )	19DR504-1032
211	COUPLING ( PROBE CONN )	19DR504-1022
212	VALVE, ANGLE 1/4" ( FLASC DRAIN )	EP20LA093
216	SHIM, POPPET VALVE	19DG117-1112
NOTE: POPPET VALVE SIZE IS STAMPED ON CONDENSER DRAIN LINE ABOVE THE REFRIGERANT COOLER. ( 3 DIGIT CODE EXAMPLE: 334 )		
217	VALVE ASSEMBLY, POPPET ( ID 321 )	19DR501-444
217A	NI VALVE ASSEMBLY, POPPET ( ID 322 )	19DR511-444
217B	NI VALVE ASSEMBLY, POPPET ( ID 323 )	19DR521-444
217C	NI VALVE ASSEMBLY, POPPET ( ID 324 )	19DR531-444
217D	NI VALVE ASSEMBLY, POPPET ( ID 325 )	19DR541-444
217E	NI VALVE ASSEMBLY, POPPET ( ID 326 )	19DR551-444
217F	NI VALVE ASSEMBLY, POPPET ( ID 327 )	19DR561-444
217G	NI VALVE ASSEMBLY, POPPET ( ID 328 )	19DR571-444
217H	NI VALVE ASSEMBLY, POPPET ( ID 329 )	19DR601-444
217J	NI VALVE ASSEMBLY, POPPET ( ID 330 )	19DR611-444
217K	NI VALVE ASSEMBLY, POPPET ( ID 331 )	19DR621-444
217L	NI VALVE ASSEMBLY, POPPET ( ID 332 )	19DR631-444
217M	NI VALVE ASSEMBLY, POPPET ( ID 333 )	19DR641-444
217N	NI VALVE ASSEMBLY, POPPET ( ID 334 )	19DR651-444
217P	NI VALVE ASSEMBLY, POPPET ( ID 335 )	19DR661-444
217Q	NI VALVE ASSEMBLY, POPPET ( ID 336 )	19DR671-444
NOTE: FOR COOLER & CONDENSER TUBE PART NUMBERS AND QUANTITIES REQUIRED FOR YOUR MACHINE CONTACT YOUR CARRIER OFFICE. * YOU MUST PROVIDE MACHINE SERIAL & MODEL NUMBER.*		
218	TUBE, COOLER	SEE NOTE
219	TUBE, CONDENSER	SEE NOTE
220	GASKET, DIVISION PLATE ( COOLER / COND ) ( 20" LG CUT TO SUIT )	16JB680043
221	GLASS, SIGHT ( NO LONGER USED )	(2) KM36BQ199
222	STRAINER, SEALED 3/8 MFL	KH11NG070
223	ORIFICE ( .06 ) 3/8 FL X 3/8 FFL	19DG11-5466
224	ORIFICE ( .125 ) 1/2 FL X 5/8 FFL	19DG12-5466
225	VALVE, SERVICE, DIAPHRAGM W/ CAP	EP10UZ121
230	STRAINER, INSERT	KH11HH066
231	ORIFICE ( .06 ) 3/8 MFL	19DK111-1012
232	VALVE, ANGLE 1/4 NPT X 1/4 MFL	EP23LC090

Catalog No.: 19 . 026 ( 08 - 93 )

Page : 29

Supersedes: 19 . 015 ( 06 - 86 )

Note: See "Catalog Notes " on last page for explanation of symbolism.

Litho in U.S.A.



# HERMETIC CENTRIFUGAL CHILLER WITH MICROPROCESSOR

# 19 DR

ITEM	PART DESCRIPTION	REPLACEMENT PART NUMBER
UNISHELL & INTERCONNECTING PIPING (CONT'D)		
233	VALVE, DIAPHRAGM 3/8 ODS	EP10BA130
234	ORIFICE (.125) 5/8 FFL X 1/2 MFL	19DK111-1002
235	GROMMET (PURGE MTG)	(4) P041-5104
236	WELL, SENSOR (1/8" NPT 2 3/4" DEEP)	(5) 19EF501-1212
237A	SENSOR 3" W/35' CABLE	(5) HH79NZ024
237B	FERRULE, COMPRESSION FITTING	DC680001
237C	NUT, COMPRESSION FITTING	DC680002
	ITEM # 238 INCLUDES ITEMS # 237B & 237C.	
238	COMPRESSION FITTING 1/8" NPT X 3/16" OD	(5) DC99RA015
PURGE ASSEMBLY GROUP		
240	PURGE ASSEMBLY KIT (INCLD'S 19DK111-434 ASSY) INCLUDES: ITEMS 241 - 258	19DK660010
241	PUMP & MOTOR (115 - 1 - 60) (THOMAS)	KK82ZX002
242	VALVE, SOLENOID	EF13CQ062
243	SWITCH, TOGGLE 3 POS	HR53E0011
244	GAUGE, PRESSURE	KM03AC250
245	SWITCH, PRESSURE	HK06ZC030
246	VALVE, ANGLE 1/4" NPT X 1/4" FL	EP23LC090
247	PURGE CONDENSER ASSEMBLY	19DK111-233
248	COUPLING, "V" BAND	CT28MP035
249	"O" RING	KK71PR040
250	GLAND	(2) TS-380
251	GASKET, OUTER	(2) 5F20-1631
252	GLASS, SIGHT	(2) 19C35-6151
253	GASKET, INNER	(2) 5F20-1011
254	BALL, FLOAT	EC28QZ030
255	VALVE	19DA11-551
256	GASKET, RING	19DK119-1042
257	ARM, FLOAT	19DA11-501
258	COVER	19DA11-5043
275	PUMP REPAIR PACKAGE (THOMAS) 107CAB18 - 178 1/4" INCLUDES: ITEMS 275A-275C	19DK660003
275A	DIAPHRAGM	KK89ZX001
275B	VALVE, FLAPPER	(2) NSS
275C	GASKET, VALVE PLATE	NSS
OIL COOLER FILTER GROUP		
279	SUBCOOLER, MOTOR COOLING	19DR501-1074
280	OIL COOLER - FILTER ASSEMBLY INCLUDES: ITEMS 281 - 285	19DR504-143
281 NI	OIL FILTER PACKAGE INCLUDES: ITEMS 282-285	17S40-001
282	ELEMENT, FILTER	NSS
283	"O" RING	KK71PR037
284	SPRING	19C35-4991
285	FILTER GUIDE ASSEMBLY	19C35-731
286	VALVE, SOLENOID 1/2"	EF13CU183
287	VALVE, PLUG 1/2" NPT	EV01AM041
OIL RESERVOIR COVER ASSEMBLY		
290	OIL PUMP & MOTOR PKG 1.5 HP 200 - 480V; 60 HZ (DUAL COMPR UNITS ONLY)	19EA511-223
290A NI	OIL PUMP & MOTOR PKG 1.5 HP 220 - 440V; 50 HZ (DUAL COMPR UNITS ONLY)	19EA521-223
290B NI	OIL PUMP & MOTOR PKG 1.5 HP 550 - 600V; 60 HZ (DUAL COMPR UNITS ONLY)	19EA531-223
290C NI	OIL PUMP & MOTOR PKG .5 HP 200 - 240V; 60 HZ (SINGLE COMPR UNITS ONLY)	19DR660001
290D NI	OIL PUMP & MOTOR PKG .5 HP 380 - 480V; 60 HZ (SINGLE COMPR UNITS ONLY)	19DR660001
290E NI	OIL PUMP & MOTOR PKG .5 HP 220 - 240V; 50 HZ (SINGLE COMPR UNITS ONLY)	19DR660002



# HERMETIC CENTRIFUGAL CHILLER WITH MICROPROCESSOR

# 19 DR

ITEM	PART DESCRIPTION		REPLACEMENT PART NUMBER
<b>OIL RESERVOIR COVER ASSEMBLY (CONT'D)</b>			
290F	NI OIL PUMP & MOTOR PKG .5 HP 380 - 480V; 60 HZ (SINGLE COMPR UNITS ONLY)		19DR660002
290G	NI OIL PUMP & MOTOR PKG .5 HP 550 - 600V; 60 HZ (SINGLE COMPR UNITS ONLY)		19DR660003
291	COVER ASSEMBLY, SUMP PUMP		19DR501-163
292	COVER, TERMINAL BOX		HX08FZ050
293	VALVE, ANGLE 3/8" MPT X 1/2" FL		EP23LA155
294	VALVE ASSEMBLY, RELIEF		19DR501-103
295	GASKET, RING		19DR501-1013
296	"O" RING		KK71GZ073
297	TERMINAL PACKAGE		19DA660003
	INCLUDES: ITEMS 298 - 300		
298	NI TERMINAL, HERMETIC	(3)	HY85FP060
299	NI BUSHING, REDUCING 1/4" MPT X 1/8" FPT	(3)	CA53AA052
300	NI CONNECTOR, QUICK CONNECT	(3)	HY61AM084
301	CHECK VALVE, SWING 1 1/8"	(2)	EC33BC331
302	BLOCK, TERMINAL		HY84FP003
303	SWITCH, TOGGLE		HR53BE019
304	CONDUIT BOX		17DR501-1072
305	STARTER, OIL PUMP (CUTTLER - HAMMER) (LESS HEATER)		HN03AC800
NOTE: ONLY THE CUTTLER - HAMMER STARTER (HN03AC800) IS AVAILABLE FROM RCD. IF YOU NEED TO REPLACE A GENERAL ELECTRIC STARTER (HN03HC818), ORDER A CUTLER - HAMMER (C - H) STARTER AND THE HEATER OF YOUR REQUIRED VOLTAGE.			
306	HEATER ELEMENT (STARTER) (C - H) (200 - 240 / 60)		HN71AZ850
306A	NI HEATER ELEMENT (STARTER) (C - H) (380 - 480 / 60)		HN71AZ846
306B	NI HEATER ELEMENT (STARTER) (C - H) (550 - 600 / 60)		HN71AZ843
306C	NI HEATER ELEMENT (STARTER) (C - H) (220 - 240 / 50)		HN71AZ852
306D	NI HEATER ELEMENT (STARTER) (C - H) (380 - 440 / 50)		HN71AZ846
306E	NI HEATER ELEMENT (STARTER) (GE) (200 - 240 / 60)		HN71HZ060
306F	NI HEATER ELEMENT (STARTER) (GE) (380 - 480 / 60)		HN71HZ064
306G	NI HEATER ELEMENT (STARTER) (GE) (550 - 600 / 60)		HN71HZ052
306H	NI HEATER ELEMENT (STARTER) (GE) (220 - 240 / 50)		HN71HZ065
306J	NI HEATER ELEMENT (STARTER) (GE) (380 - 440 / 50)		HN71HZ064
<b>HOT GAS BYPASS</b>			
310	NI BUTTERFLY VALVE & ACTUATOR ASSY 3"		19DH117-1004
311	NI GASKET, RING 3"	(2)	CT99ZX501
312	NI SWITCH, TEMPERATURE		17FA101-1323
313	NI BOX, CONDUIT		HX01FB052
314	NI COVER, CONDUIT BOX		HX02FB050
<b>BASIC MICROPROCESSOR CONTROL PANEL (1 COMPR)</b>			
320	32MP CONTROL PANEL 60 HZ (NO ESP) 1 COMP		19DR660012
320A	32MP CONTROL PANEL 50 HZ (NO ESP) 1 COMP		19DR660013
320B	32MP CONTROL PANEL 60 HZ (W/ ESP) 1 COMP		19DR660014
320C	32MP CONTROL PANEL 50 HZ (W/ ESP) 1 COMP		19DR660015
NOTE: IF YOU DO NOT HAVE ESP AND WOULD LIKE TO ADD IT ORDER 32MP9009 41FOR SINGLE COMPRESSOR MACHINES FROM FINISHED GOODS.(32MP900951 FOR DUAL COMPRESSOR MACHINES).THIS PKG CONTAINS ALL PARTS FOR A MACHINE MOUNTED ESP INSTALLATION FOR A DESK OR SURFACE MOUNT ESP ORDER 32MP900921FOR SINGLE COMPRESSORS OR 32MP900931 FOR DUAL COMPRESSORS. FOR FLUSH MOUNT ORDER 32MP900901 FOR SINGLE COMPRESSOR AND 32MP900911 FOR DUAL. ITEM #321 IS A WIRING PACKAGE TO INSTALL A SEPERATE PUCHASED ESP BOARD(32MP400934 FOR SINGLE COMPR & 944 FOR DUAL) IT#321 HARNESS IS ALSO PART OF 32MP900941 & 32MP900951 LISTED PREVIOUSLY.			
321	NI WIRING PACKAGE (TO INSTALL ESP ON BASIC)		32MP400272
322	PROCESSOR BOARD ASSEMBLY (PCB1)		32MP400974
NOTE: A TERMINAL HOUSING & PIN PACKAGE (32MP660015) CONTAINS ITEMS # 323 TO 326,328,330 TO 333.			
323	HOUSING (3 POS) (1J5)		NSS
324	HOUSING (14 POS) (1J2)		NSS
325	HOUSING (16 POS) (1J1)		NSS
326	HOUSING (6 POS) (1J4)		NSS
327	NI PLUG, KEYING	(9)	HY07MQ004
328	PIN, TERMINAL		NSS
329	INPUT/OUTPUT BOARD ASSY (PCB2)		HK35EZ002
330	HOUSING (4 POS) (2J6)		NSS
331	HOUSING (10 POS) (2J1, 2J2)	(2)	NSS
332	HOUSING (12 POS) (2J5)		NSS



# HERMETIC CENTRIFUGAL CHILLER WITH MICROPROCESSOR

# 19 DR

ITEM	PART DESCRIPTION	REPLACEMENT PART NUMBER
<b>BASIC MICROPROCESSOR CONTROL PANEL ( 1 COMPR ) ( CONT ' D )</b>		
333	HOUSING ( 13 POS ) ( 2J4 )	NSS
334	BASIC SET POINT & DISPLAY BOARD ( PCB3 )	HK35EZ003
335	GAUGE, PRESSURE ( COOLER / CONDENSER ) 30 " - 0 - 30	(2) KM03AF303
NOTE: GAUGE ( ITEM # 335 ) HAS A CENTER BACK CONNECTION, THIS IS THE ONLY GAUGE AVAILABLE. THE PREVIOUSLY USED GAUGE HAD A CONNECTION 1.06 " BELOW CENTERLINE IS NO LONGER AVAILABLE. YOU MUST MODIFY TUBING TO FIT AVAILABLE GAUGE IN FIELD THERE IS NO TUBING PACKAGE AVAILABE TO DO THIS.		
336	GAUGE & SWITCH, OIL DIFF. PRESSURE 0 - 50 PSID	KM05BW222
337	LIGHT, AMBER ( POWER )	HY19UC019
338	LOCK, CAM ( W / 2 KEYS )	KA19NL010
339	LIGHT, RED ( ALARM )	HY19UC014
340	BLOCK, FUSE ( 7 POS )	HY11UM007
341	FUSE ( F15, 16, 17 )	(3) MGB 1/8
342	FUSE ( F20, 21 )	(2) MDL 3/4
343	FUSE ( F18, 19 )	(2) MDL 2 1/2
344	BLOCK, FUSE ( 1 POS )	S-8202-01
345	FUSE ( F14 )	MDL1
346	SWITCH, HIGH CONDENSER CUTOOUT SPST	HK01CA015
347	TRANSFORMER, POWER	HT01BE115
348	INDICATOR, ELAPSED TIME ( 60 HZ )	HK28DG115
348A NI	INDICATOR, ELAPSED TIME ( 50 HZ )	HK28DG116
349	BLOCK, TERMINAL ( 4 POS ) ( CCN ONLY )	HY84EF002
350	CABLE ASSEMBLY, RIBBON	HY20HS005
351	ASSY, CAPACITOR ( .22 MFD / 400 VDC )	19EB516-222
352	BLOCK, TERMINAL ( 17 POS )	HY84EF018
353	BLOCK, TERMINAL ( 10 POS )	HY84EF010
354	BLOCK, TERMINAL ( 22 POS )	HY84EF022
355	RELAY ( PURGE )	HN61KP012
355A	SHIELD BEAD	HK98EZ001
355B	CLAMP, RIBBON CABLE	(3) AS84ZZ101
355C	DOOR, CONTROL BOX	19EB416-1073
355D	GAUGE PANEL	19EB516-1043
355E	TAG, DIP SWITCH	19EB416-1202
355F	LUG, GROUND	HY90HR001
355G	LABEL, DISPLAY CODE	19DR516-1113
355H	SERVICE PACKAGE ( NOTE )	19EB416-173
NOTE: SERVICE PACKAGE CONTAINS ( 1 ) EACH OF ITEMS # 341, 342, 343 & 345 ALONG WITH A TRIMMER ADJUSTING TOOL HT29AA001 AND AN MGB 1/8 FUSE.		
<b>EXPANDED SERVICE CONTROL PANEL</b>		
356	BOARD, MEMORY EXPANSION ( PCB5 )	32MP400954
357	PANEL, EXPANDED SERVICE ( ESP II )	32MP400934
357A NI	"E" PROM KIT ( 1 COMPR )	32MP660016
	INCLUDES: ITEMS 357B-357D	
357B NI	"E" PROM ( BASIC )	HK98EZ101
357C NI	"E" PROM ( MX )	NSS
357D NI	"E" PROM ( ESP )	NSS
<b>BASIC MICROPROCESSOR CONTROL PANEL ( 2 COMPR )</b>		
358	32MP CONTROL PANEL ( NO ESP ) 60 HZ 2 COMPR	19DR660016
358A	32MP CONTROL PANEL ( NO ESP ) 50 HZ 2 COMPR	19DR660017
358B	32MP CONTROL PANEL ( W / ESP ) 60 HZ 2 COMPR	19DR660018
358C	32MP CONTROL PANEL ( W / ESP ) 50 HZ 2 COMPR	19DR660019
NOTE: SEE NOTE FOR ITEM # 320 FOR ESP CHANGE OVER PARTS.		
360	PROCESSOR BOARD ASSEMBLY ( PCB1 )	32MP400974
NOTE: A TERMINAL HOUSING & PIN PACKAGE ( 32MP660015 ) CONTAINS ITEMS # 361 TO 364, 366, 368 TO 371.		
361	HOUSING ( 16 POS ) ( 1J1 )	NSS
362	HOUSING ( 14 POS ) ( 1J2 )	NSS
363	HOUSING ( 3 POS ) ( 1J5 )	NSS
364	HOUSING ( 6 POS ) ( 1J4 )	NSS
365	PLUG, KEYING	(14) HY07MQ004
366	PIN, TERMINAL	NSS
367	INPUT / OUTPUT BOARD ASSEMBLY ( PCB2 )	HK35EZ002



# HERMETIC CENTRIFUGAL CHILLER WITH MICROPROCESSOR

# 19 DR

ITEM	PART DESCRIPTION	REPLACEMENT PART NUMBER
BASIC MICROPROCESSOR CONTROL PANEL ( 2 COMPR ) ( CONT'D )		
368	HOUSING ( 4 POS ) ( 2J6 )	NSS
369	HOUSING ( 10 POS ) ( 2J1, 2, 7J1, 2 )	(4) NSS
370	HOUSING ( 12 POS ) ( 2J5, 4J1, 7J5 )	(3) NSS
371	HOUSING ( 13 POS ) ( 2J4, 7J4 )	(2) NSS
372	BASIC SETPOINT & DISPLAY BOARD ( PCB3 )	HK35EZ003
373	GAUGE, PRESSURE ( COOLER / CONDENSER ) 30 " 0 - 30	(2) KM03AF303
NOTE: FOR ITEM # 373 SEE NOTE FOR ITEM # 335.		
374	GAUGE & SWITCH, OIL DIFF PRESSURE 0 - 50 PSID	KM05BW222
375	LIGHT, AMBER ( POWER )	HY19UC019
376	LOCK, CAM ( W / 2 KEYS )	KA19NL011
377	LIGHT, RED ( ALARM )	HY19UC014
378	FUSE ( F14 )	MDL 1
379	BLOCK, FUSE ( 7 POS )	HY11UM007
380	FUSE ( F15, 16, 17 )	(3) MGB 1/8
381	FUSE ( F20, 21 )	(2) MDL 2 1/2
382	FUSE ( F18, 19 )	(2) MDL 3/4
383	BLOCK, FUSE ( 1 POS )	S-8202-1
384	SWITCH, HIGH CONDENSER CUTOUT DPST	HK01CH015
385	TRANSFORMER ( POWER )	HT01BE115
386	INDICATOR, ELAPSED TIME ( 60 HZ )	HK2BDG115
386A	INDICATOR, ELAPSED TIME ( 50 HZ )	HK2BDG116
387	BLOCK, TERMINAL ( 4 POS )	HY84EF002
388	CABLE ASSEMBLY, RIBBON	HY20HS006
389	ASSEMBLY, CAPACITOR ( .22MFD / 400 VDC )	19EB516-222
390	BLOCK, TERMINAL ( 17 POS )	HY84EF017
391	BLOCK, TERMINAL ( 10 POS )	HY84EG010
392	BLOCK, TERMINAL ( 24 POS )	HY84EG024
393	RELAY ( PURGE )	HN61KP012
394	RELAY, OIL PUMP INTERLOCK	HN61KK041
395	ANALOG EXPANSION BOARD ( PCB4 )	HK35EZ009
396	INPUT / OUTPUT BOARD ( PCB7 )	HK35EZ008
397	MEMORY EXPANSION BOARD ( PCB5 )	HK35EZ008
398	SHIELD BEAD ( CARBON )	HK99EZ001
399	CLAMP, RIBBON CABLE	(3) AS84ZZ101
400	DOOR, CONTROL BOX	19EB416-1073
401	GAUGE PANEL	19EB516-1043
402	TAG, DIP SWITCH	19EB416-1202
403	LUG, GROUNDING	HY90HR001
404	LABEL, DISPLAY CODE	19DR516-1123
405	SERVICE PACKAGE ( NOTE )	19EB416-173
NOTE: ITEM # 405 CONTAINS ITEMS # 378, 380, 381 & 382 ALONG WITH A TRIM ADJUSTER TOOL HT29AA001 AND AN MGB 1/8 FUSE.		
EXPANDED SERVICE CONTROL PANEL ( 2 COMPR )		
410	BOARD, MEMORY EXPANSION ( PCB5 )	32MP400954
411	NI "E" PROM KIT ( 2 COMPR )	32MP660017
412	PANEL, EXPANDED SERVICE ( ESP II )	32MP400944
INCLUDES: ITEMS 413 - 420		
413	NI SHIELD, BEAD	(2) HK99EZ001
414	NI TRANSFORMER, STEP DOWN 115 V / 19 VCT	HT01BD115
415	NI HOLDER, FUSE ( 3 POS )	HY11UM003
416	NI BLOCK, TERMINAL ( 9 POS )	HY84EF009
417	NI FUSE .25A ( F71 )	HY10FJ001
418	NI FUSE .75A ( F72, 73 )	(2) MGB 3/4
419	NI LIGHT, ALARM ( RED W / BULB )	HY19MM015
420	NI SWITCH & LIGHT, POWER ( AMBER )	HR52TA002
MISCELLANEOUS GROUP		
425	NI PAINT ( 5 GAL / 18.9 L ) ( HORIZON GREEN )	19P47-005
426	NI PAINT ( 12 OZ SPRAY ) ( HORIZON GREEN )	PH23GH017
427	NI BRUSH, TUBE CLEANING ( 3 / 4 " ID )	KC21AH105
428	NI INSULATION, SHEET ( 3 / 4 X 48 X 64 )	QR0948 486434

Catalog No.: 19. 026 ( 08 - 93 )

Page : 33

Supersedes: 19. 015 ( 06 - 86 )

Note: See "Catalog Notes " on last page for explanation of symbolism.

Litho in U.S.A.



**HERMETIC CENTRIFUGAL CHILLER  
WITH MICROPROCESSOR**

**19 DR**

ITEM	PART DESCRIPTION	REPLACEMENT PART NUMBER
429	NI TAPE, INSUL ( FOR ITEM # 428 )	19DA660002
430	NI OIL, COMPRESSOR ( 5 GAL / 18.9 L ) ( 68 VIS )	PP23BB006
433	NI STATOR INSULATION KIT	19DA11-001
	NOTE: MATERIAL REQUIRED TO REINSULATE A STATOR SHELL. INCLUDES ITEMS # 428 & 429.	
434	NI CLEAN UP KIT ( BURNOUT / WET )	19CB660006
	NOTE: CONTAINS ALL NEC ESSARY PARTS AND PIPING FOR CLEANUP AFTER MOTOR BURNOUT OR FOR CLEANING UP A WET MACHINE.	
435	NI EXTERNAL OIL FILTER KIT	19DK660016
	NOTE: CONTAINS A DUPLEX FILTER SO THAT MACHINE CAN CONTINUE TO RUN WHILE CHANGING OIL FILTERS.	
436	NI RUPTURE DISC / RELIEF VALVE CONVERSION KIT ( VAPOR SAVER )	19DK660011
	INCLUDES: ITEM 437	
437	NI DISC, NON - FRAGMENTING	EB59LX014
	NOTE: CONTAINS A REPLACEMENT ASSEMBLY FOR CARBON RUPTURE DISC.	

Catalog No.: 19 . 026 ( 08 - 93 )

Page : 34

Supersedes: 19 . 015 ( 06 - 86 )

Note: See "Catalog Notes " on last page for explanation of symbolism.

Litho in U.S.A.



---

## ORDERING INSTRUCTIONS

1. All orders should include the complete model and serial number of the unit on which the parts are to be used, and the part number and description of each part.
2. Dealers should forward orders to their Carrier distributor.

## GENERAL NOTES

1. This catalog contains those items most commonly required for replacement purposes. If parts other than those cataloged are required, please provide the model number and serial number of the unit on which the parts are to be used and a complete description including references to items which are cataloged.
2. Casing parts and panels are not normally stocked, but are available upon request while in production. Requests for casing parts and panels for units no longer in production must be cleared for availability prior to submitting an order.
3. Complete "Accessory Packages" of "F.I.O.P.'s" (Factory-Installed Option Plan) are not normally stocked or supplied by the Replacement Components Division. (Refer to Master Price Pages and order from your normal source for finished goods.)  
Accessory packages and F.I.O.P.'s are listed in this catalog only for reference and to assist in the selection and ordering of replacement components.
4. The replacement parts listed in this catalog are RCD "Factory-Authorized Parts" and, as a result of "standardization," may not be identical to the original part furnished on the equipment.

## CATALOG NOTES

1. The part number in the model column indicates the part number required for that model, size and/or voltage.
2. An arrow → in the model column indicates that the model, size, and/or voltage uses the same part number as the part number shown to the left.
3. An X in the model column indicates that the part is not used on that model, size and/or voltage.
4. A number in parenthesis before the part number indicates the quantity required for that model, size, and/or voltage. Part number only in the column indicates a quantity of one.
5. The notation "NI" following the item number indicates that the item is not illustrated in the catalog.



