



HERMETIC CENTRIFUGAL CHILLER WITH / WITHOUT MICRO-PROCESSOR

19 DK

HOW TO USE THIS CATALOG

THIS CATALOG PRESENTS THE MOST COMMONLY USED SPECIFIED PARTS FOR THE STANDARD 19DK CENTRIFUGAL REFRIGERATION MACHINE AND IS NOT APPLICABLE TO ANY SPECIAL ORDER MACHINES.

1. TO LOCATE PARTS YOU REQUIRE REFER TO THE UNIT ILLUSTRATIONS IN THE FIRST PART OF THIS CATALOG TO OBTAIN THE ITEM NUMBER. THEN REFER TO THE PARTS LISTING FOR THE DESCRIPTION, QUANTITY AND UNIT SIZE PART IS USED ON.
2. OCCASIONALLY DUE TO THE LIMITATIONS OF ILLUSTRATIONS USED, A PART MAY NOT BE SHOWN ON AN ILLUSTRATION. THESE PARTS ARE IDENTIFIED BY "N" TO "NI" IN THE COLUMN NEXT TO THE ITEM NUMBER. IDENTIFY A SERIAL NUMBER CHANGE BY "PSN" FOR PRIOR SERIAL NUMBER OR "SSN" FOR START SERIAL NUMBER.
3. IF YOU HAVE A MACHINE THAT USES HCFC-123 AS THE REFRIGERANT DO NOT USE THIS PARTS CATALOG. TO SELECT SERVICE PARTS, CONTACT YOUR CARRIER REPRESENTATIVE FOR THE PART NUMBERS FOR YOUR APPLICATION.
4. THE FOLLOWING PARTS ARE NOT LISTED IN THIS CATALOG.

- IMPELLER
- COMPRESSOR MOTOR (ROTOR & STATOR)
- EVAPORATOR TUBES
- CONDENSER TUBES

IF ANY OF THESE PARTS ARE REQUIRED, CONTACT YOUR CARRIER REPRESENTATIVE WITH THE MODEL AND SERIAL NUMBER OF YOUR MACHINE.

5. POSITIVE IDENTIFICATION OF YOUR UNIT SIZE TO PROPERLY SELECT PARTS MAY BE DONE BY REFERRING TO THE NAME PLATE ON THE MACHINE.

		UNITED TECHNOLOGIES CARRIER			
		CENTRIFUGAL WATER CHILLER			
MODEL	19DK51125CE (See Example)		REFRIGERANT	LBS	kg
SERIAL NO.	782927730		TEST PRESS	30 PSI	207 kPa
COMPONENT	SIZE	SERIAL NO.	DESIGN PRESS.	15 PSI	103 kPa
COMPRESSOR	19DK112	32863	EVAP. WATER PRESS	150 PSI	1034 kPa
UNISHELL	19DK217	36599	COND. WATER PRESS	150 PSI	1034 kPa
COOLER			COMPRESSOR MOTOR DATA		
CONDENSER			VOLTS/PHASE/HERTZ 440/3/60 AC		
ECONOMIZER			PL. AMPS 241	LR AMPS Y:347	
REFRIGERANT	H-11	CHARGED	OLT AMPS* 261	LR AMPS D1085	
SAFETY CODE CERTIFICATION THIS UNIT IS DESIGNED, CONSTRUCTED, AND TESTED IN CONFORMANCE WITH THE "ANSI/ASHRAE 15-1978" SAFETY CODE FOR MECHANICAL REFRIGERATION. *THE COMPRESSOR MOTOR CONTROLLER AND OVERLOAD PROTECTION ARE NOT AN INTEGRAL PART OF THE MACHINE ASSEMBLY. SEE CARRIER SPECIFICATION Z-375.					
MADE IN USA 19DK111-103*					

EXAMPLE 19DK51125CE	
MACHINE MODEL	19DK
UNISHELL SIZE	51
COMPRESSOR CODE	125
MOTOR CODE	CE

CFE-11 REFRIGERANT CHARGE

UNISHELL SIZE	LBS	(KG)
42	450	(204.1)
44	450	(204.1)
46	475	(215.5)
50	575	(260.8)
51	575	(260.8)
53	600	(272.2)
55	625	(283.5)
57	625	(283.5)
61	775	(351.5)
63	810	(367.4)
65	850	(385.6)
71	975	(442.3)
72	985	(446.8)
73	1010	(458.1)
76	1100	(499)
77	1150	(521.6)
78	1200	(544.3)

OIL CHANGE

COMPR SIZE	GALS	(L)
11	8	30.3
21	17	49.3
31	21	64.4

TUBE QUANTITIES

UNISHELL SIZE	EVAPORATOR	CONDENSER
42	76	80
44	84	90
46	98	102
50	110	114
51	120	124
53	136	142
55	148	156
57	170	178
61	190	200
63	212	222
65	242	254
71	256	265
72	270	286
73	298	310
76	328	346
77	370	388
78	410	431

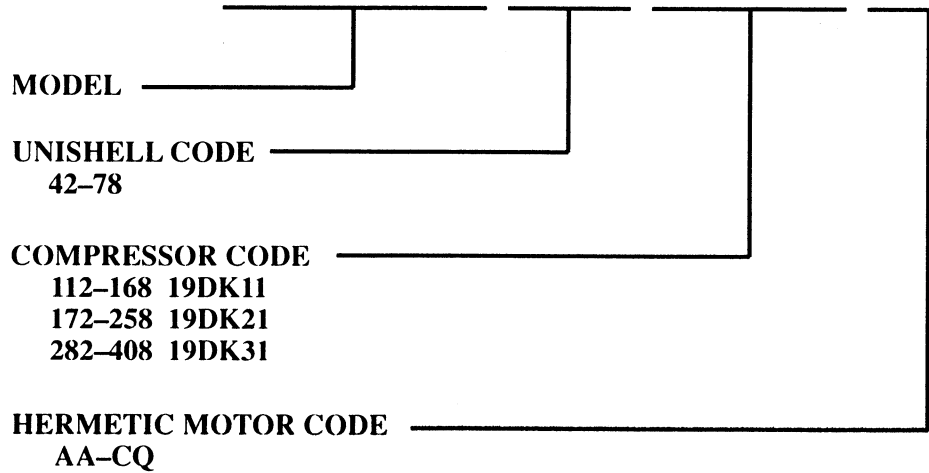


**HERMETIC CENTRIFUGAL CHILLER
WITH / WITHOUT MICRO-PROCESSOR**

19 DK

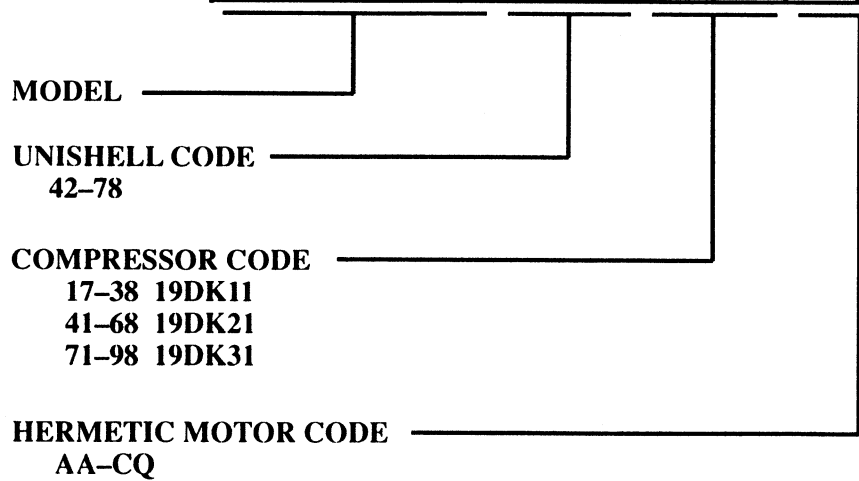
CURRENT MODEL NUMBER SIGNIFICANCE CHART

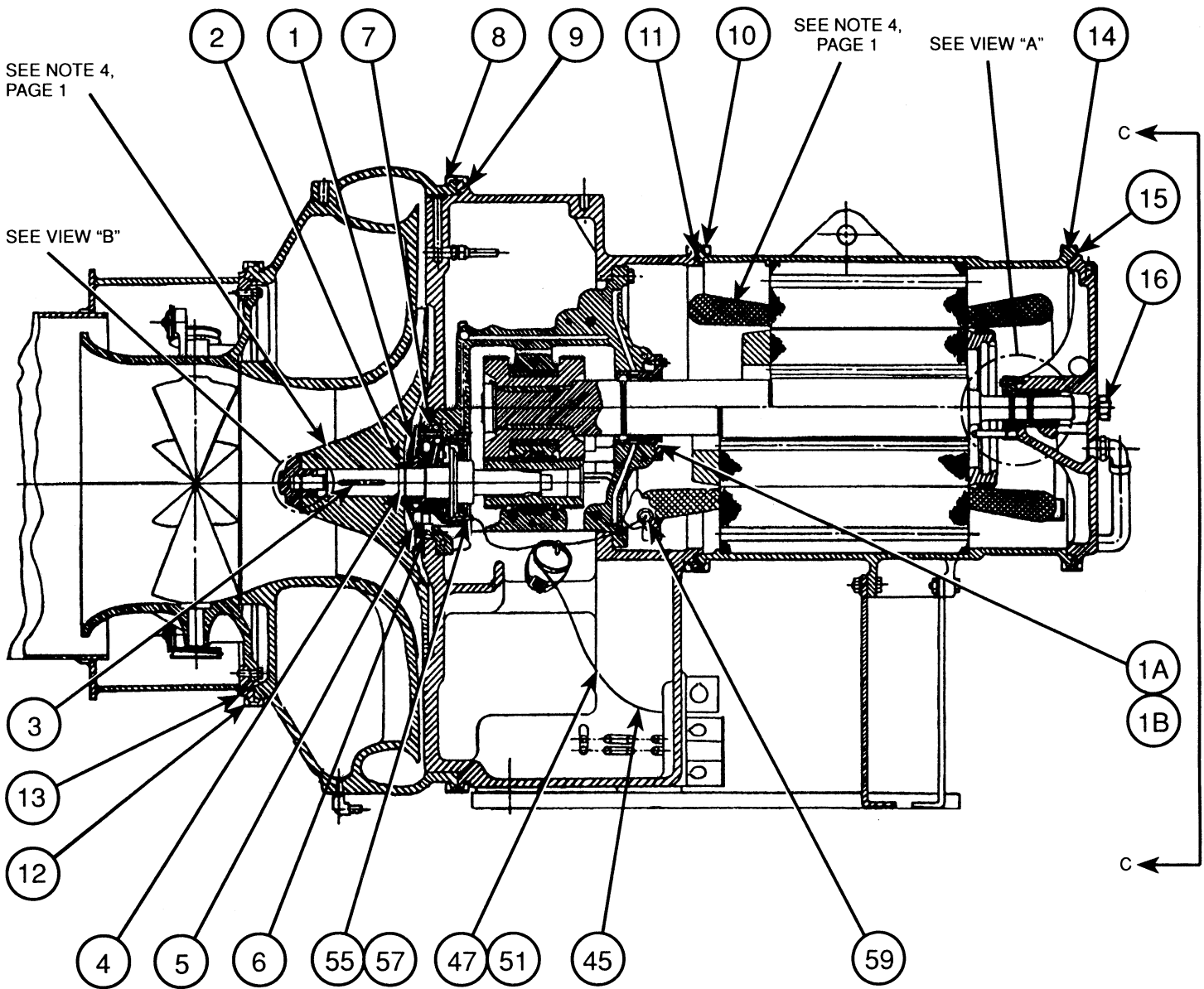
1	2	3	4	5	6	7	8	9	10	11
1	9	D	K							



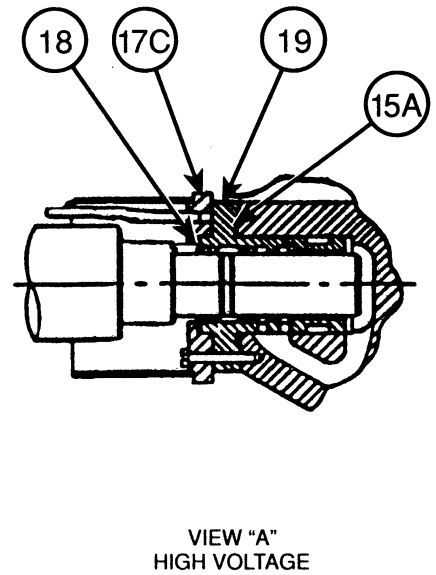
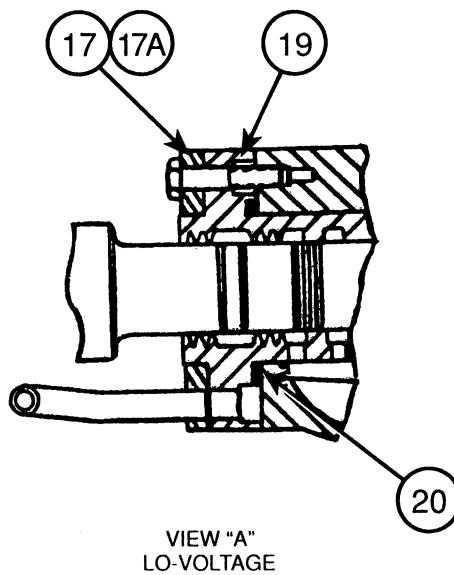
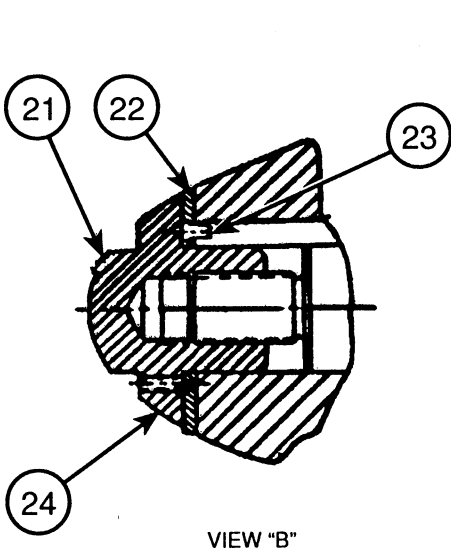
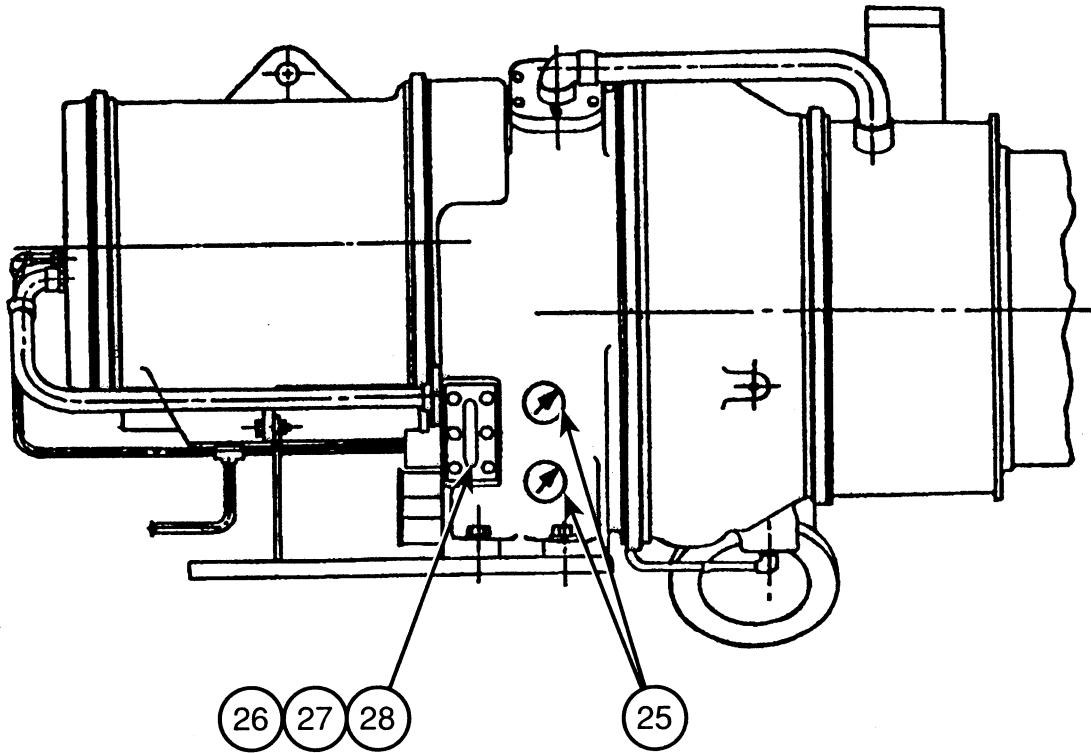
EARLIER MODEL NUMBER SIGNIFICANCE CHART

1	2	3	4	5	6	7	8	9	10
1	9	D	K						

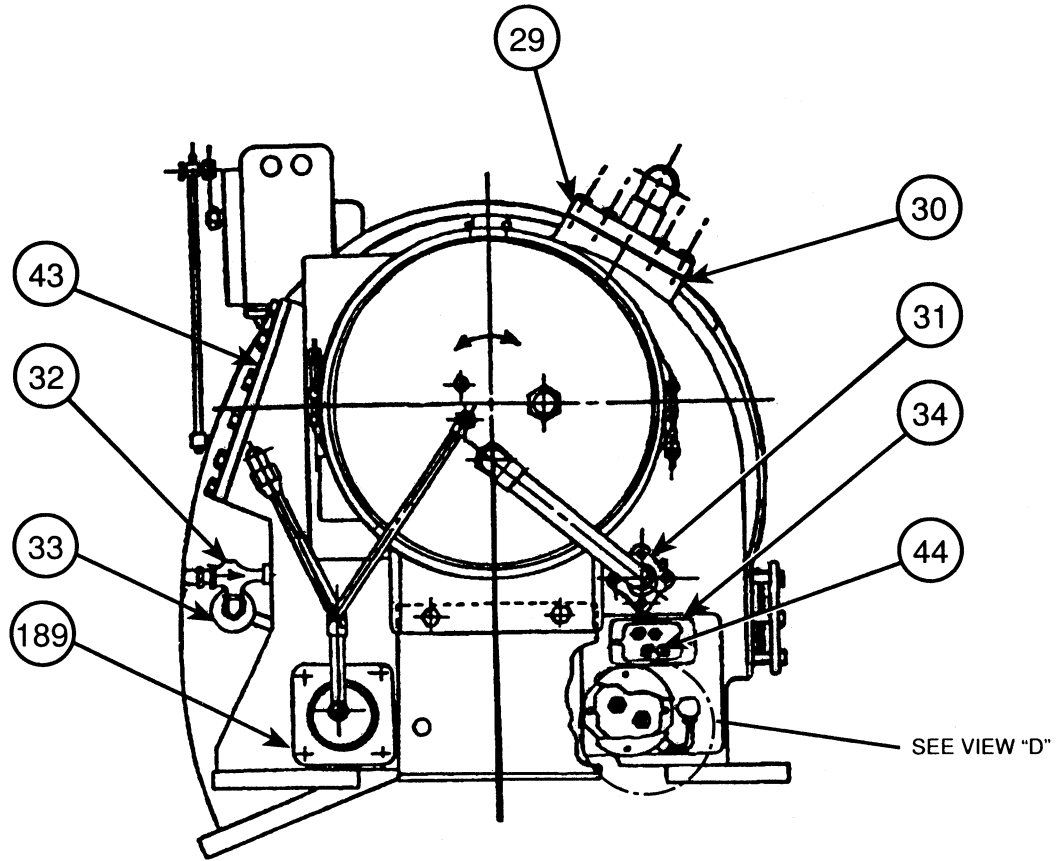




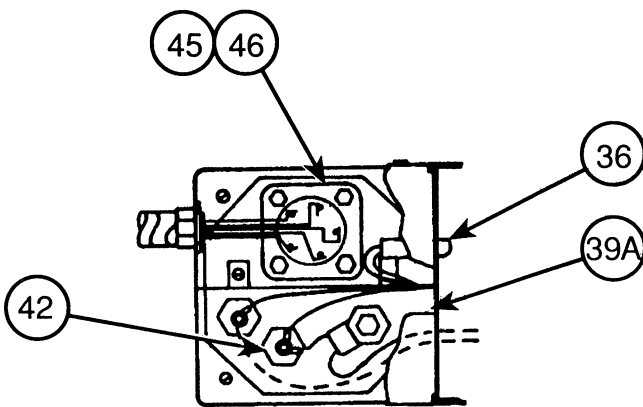
COMPRESSOR ASSEMBLY



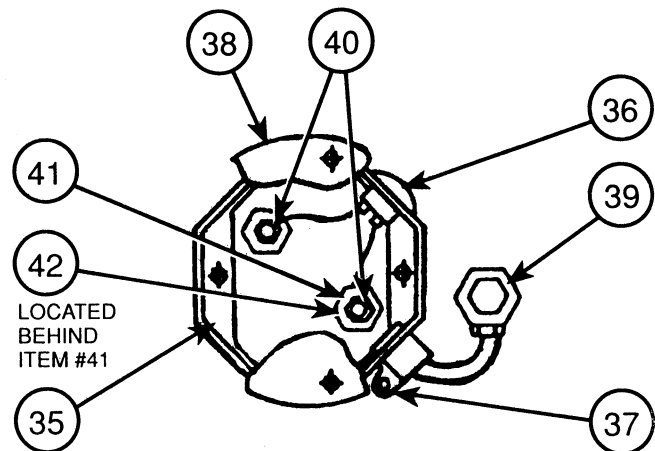
COMPRESSOR ASSEMBLY



VIEW C-C

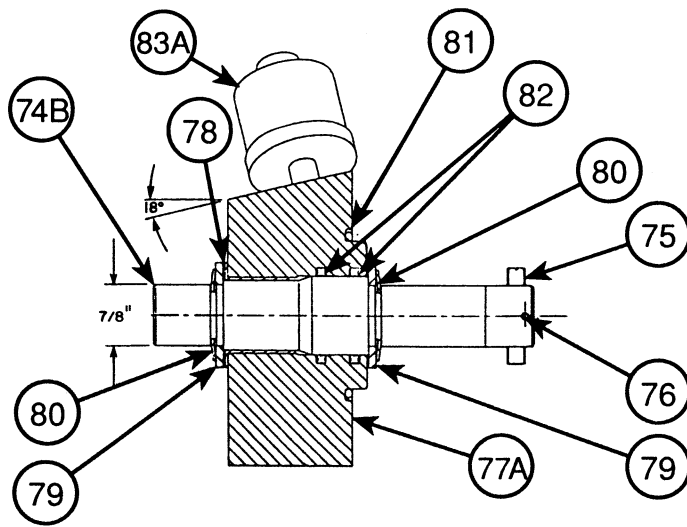
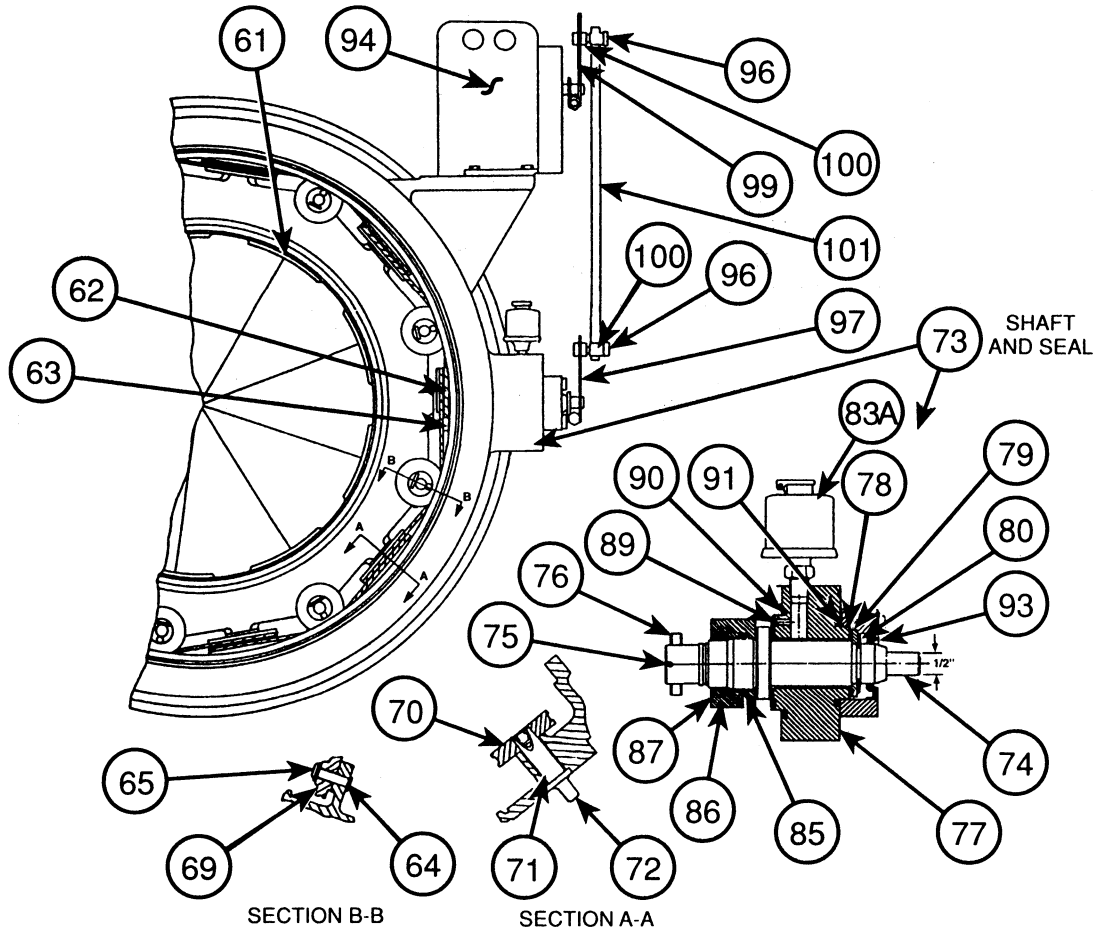


VIEW D (32SM)

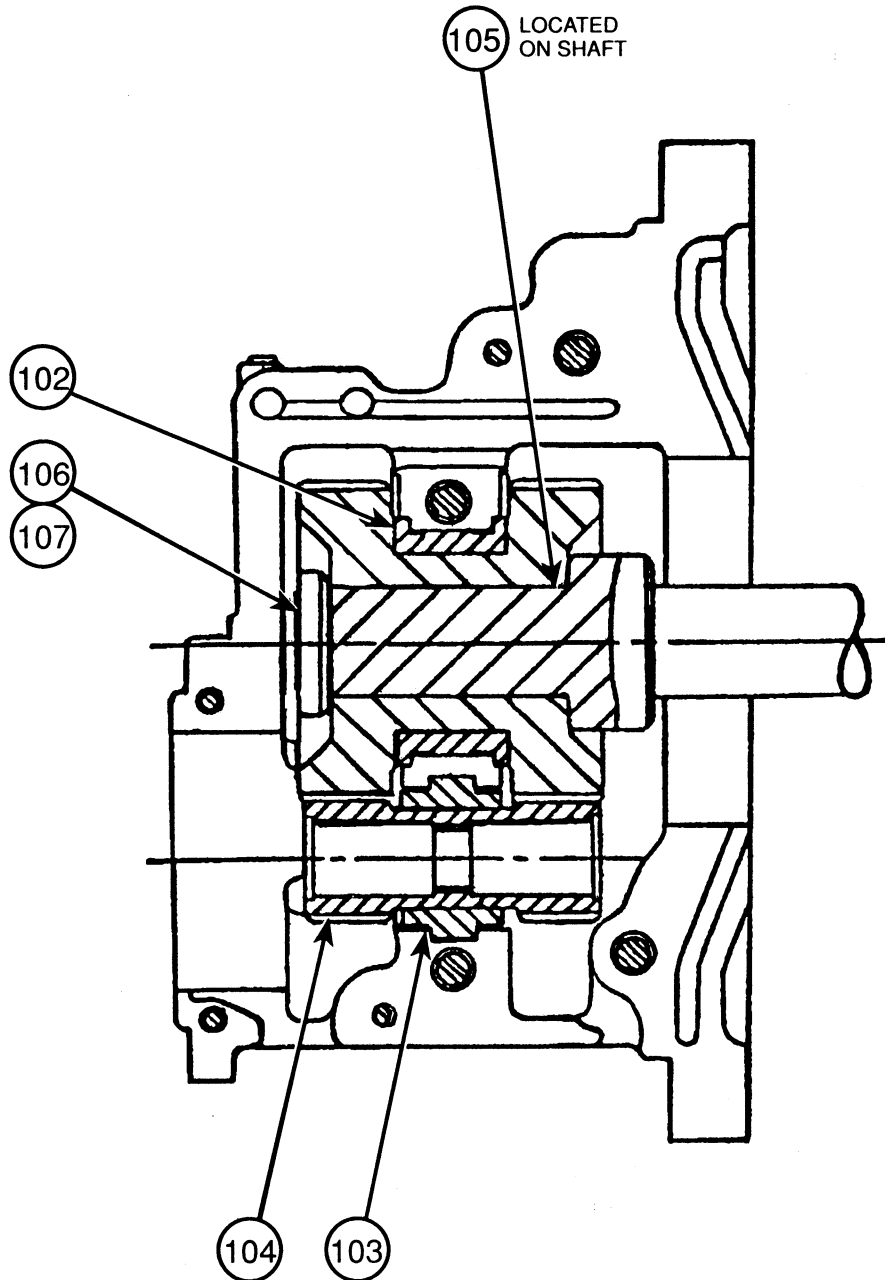


VIEW D (32MP)

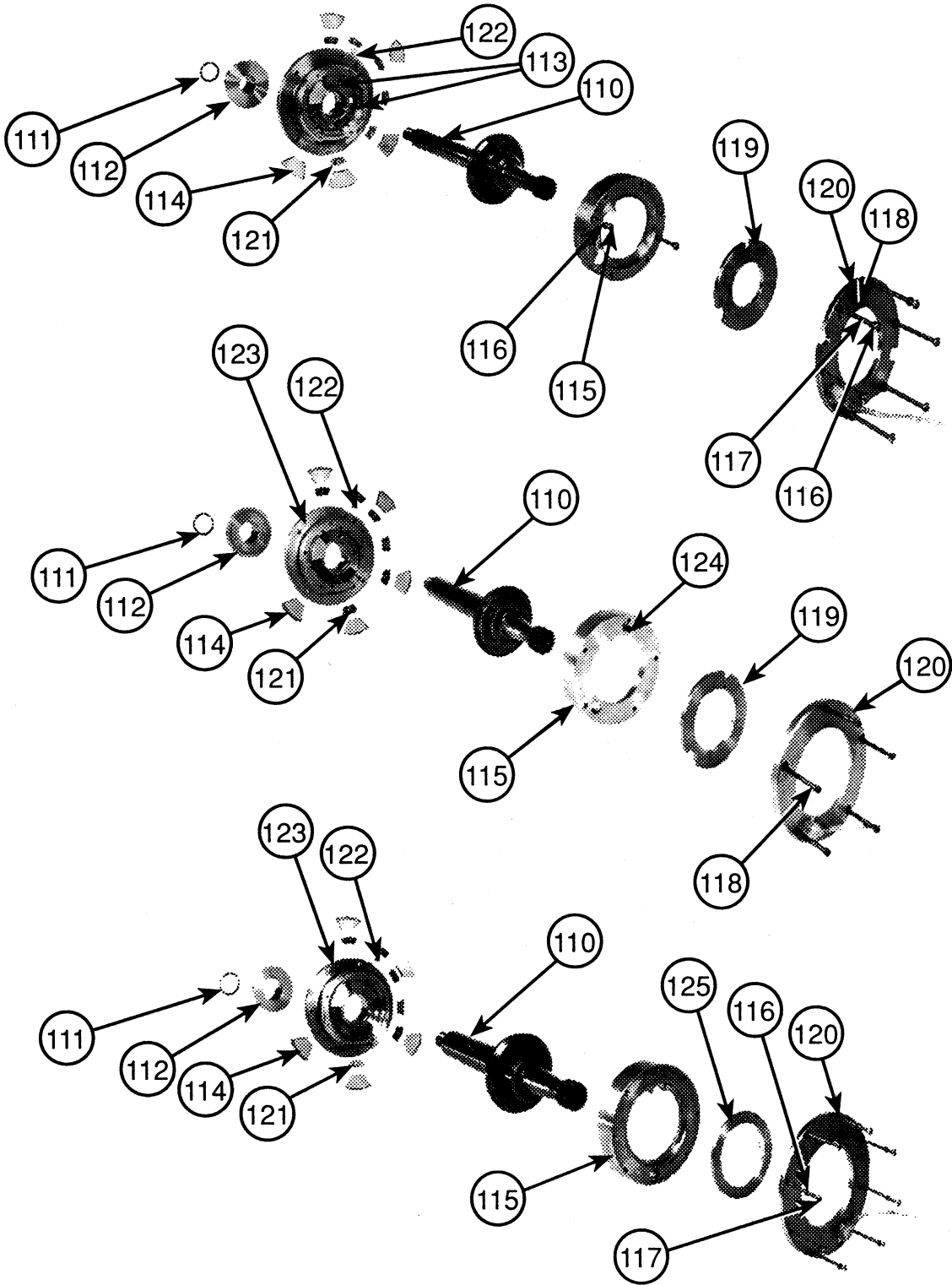
COMPRESSOR ASSEMBLY



GUIDE VANE AND BLADE RING



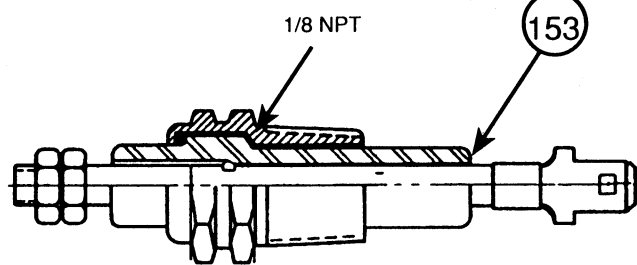
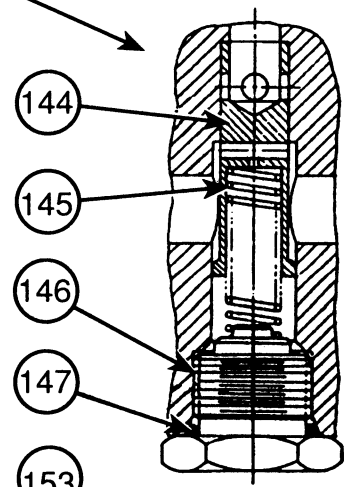
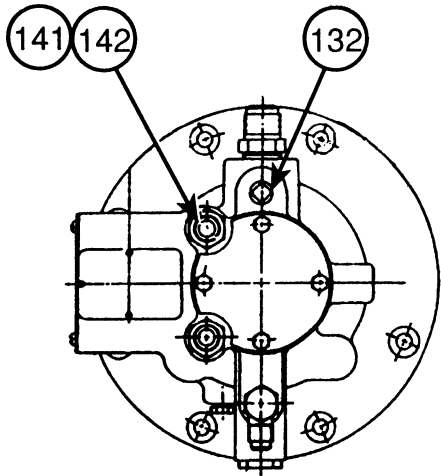
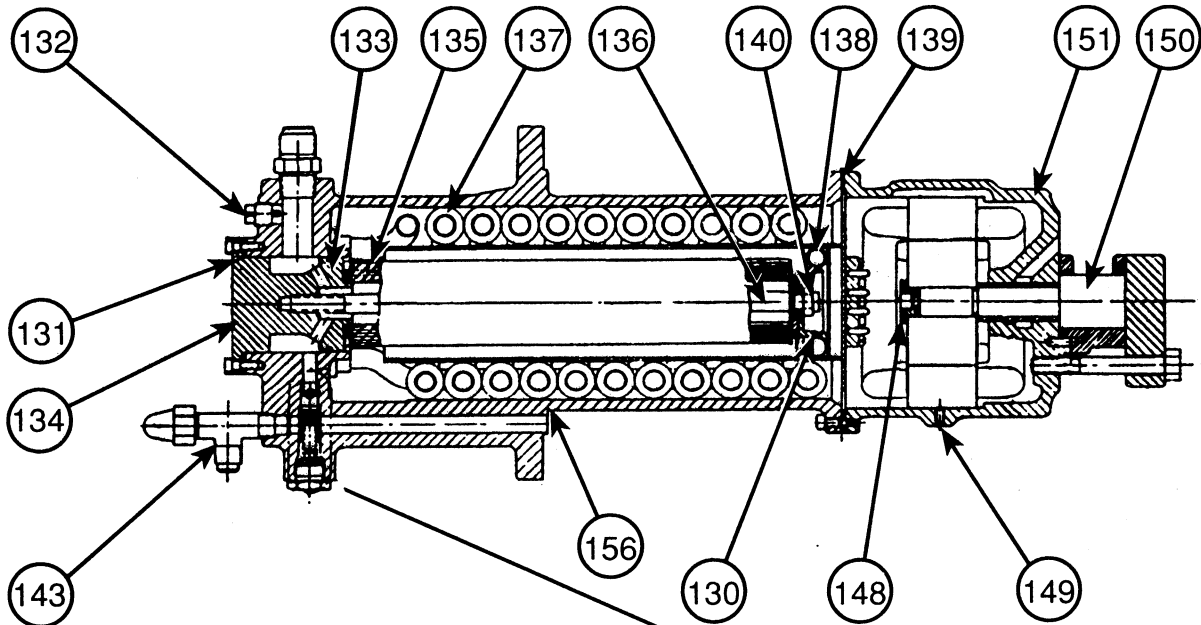
COMPRESSOR TRANSMISSION ASSEMBLY



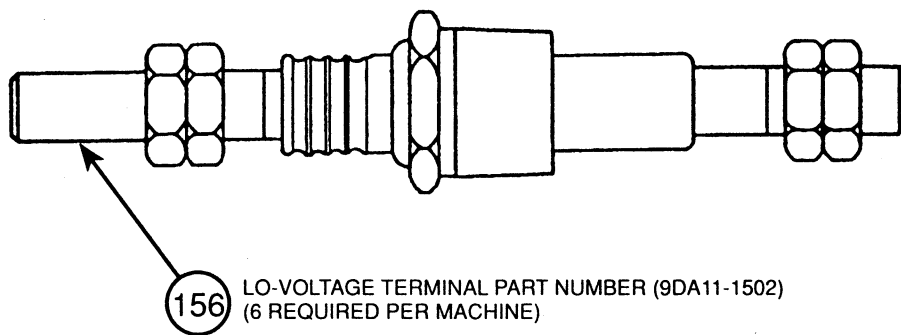
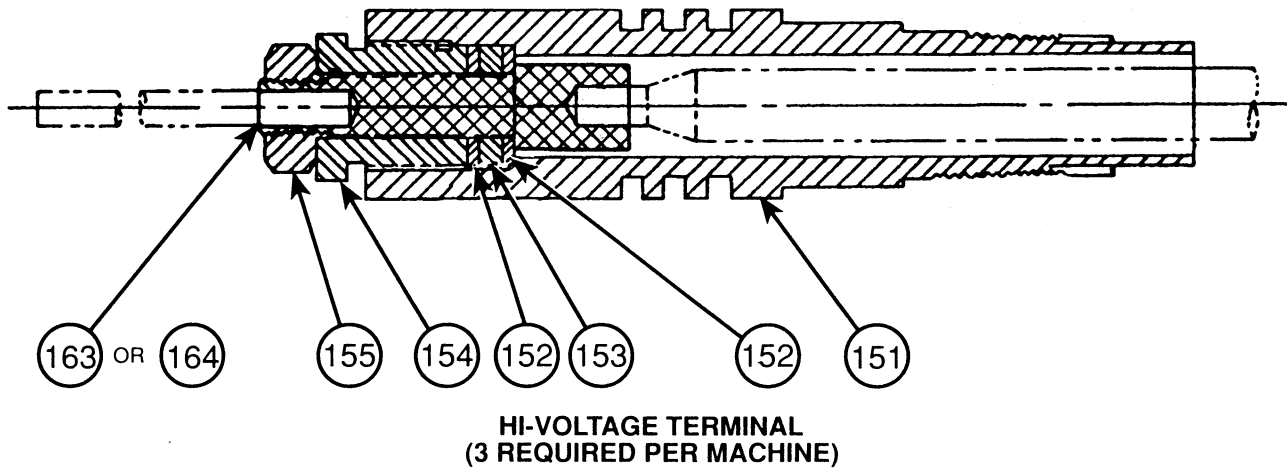
#108, #108A
19DK11

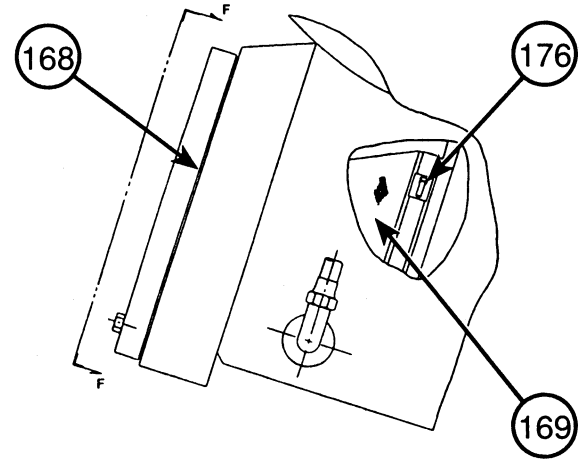
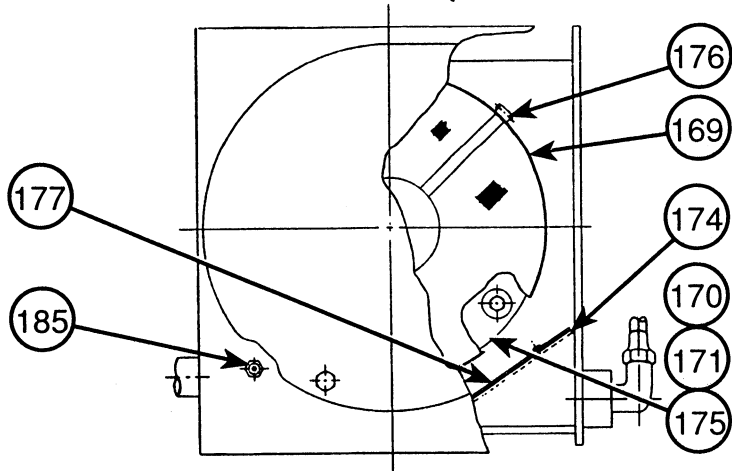
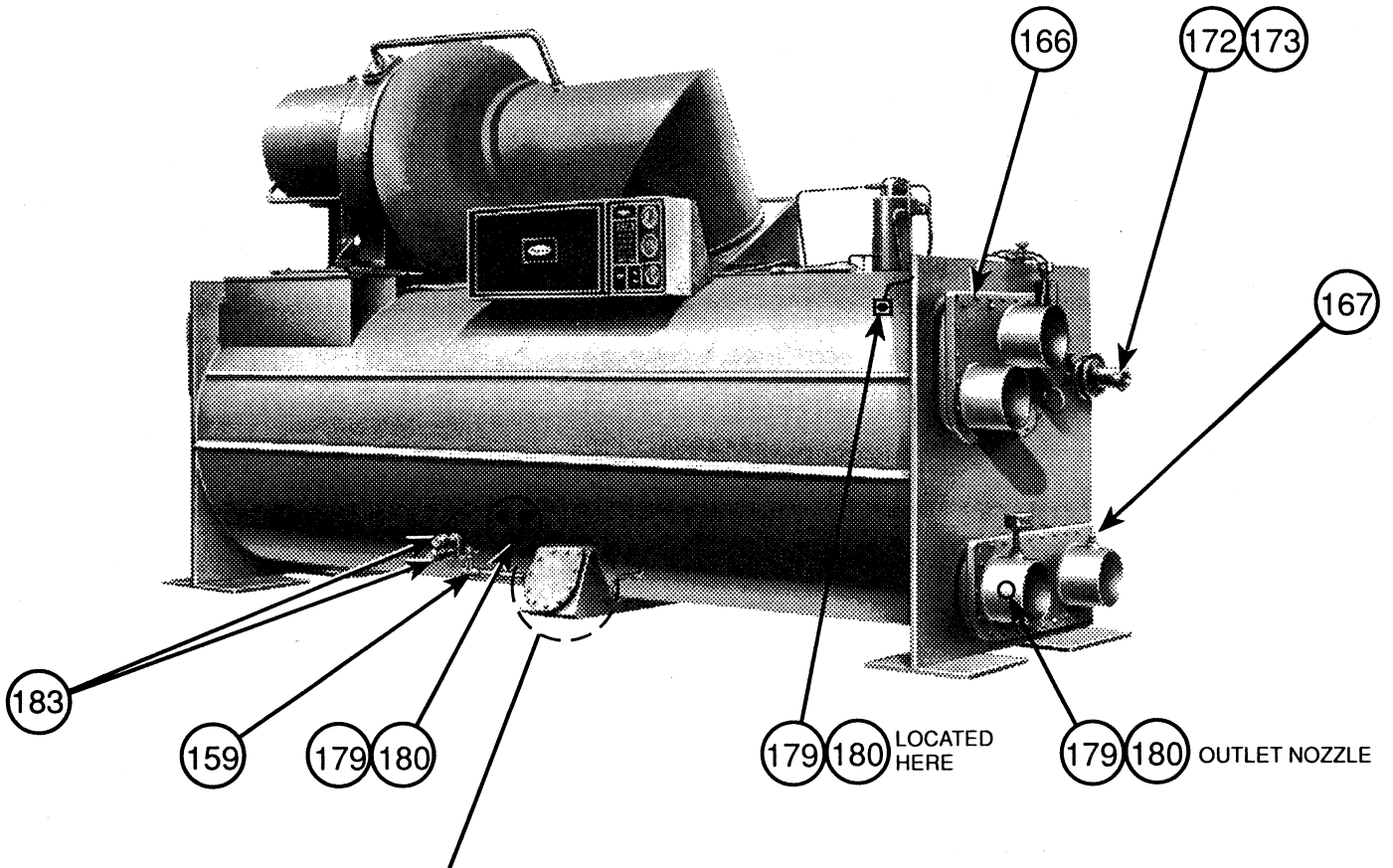
#108, #108A
19DK21

19DK31



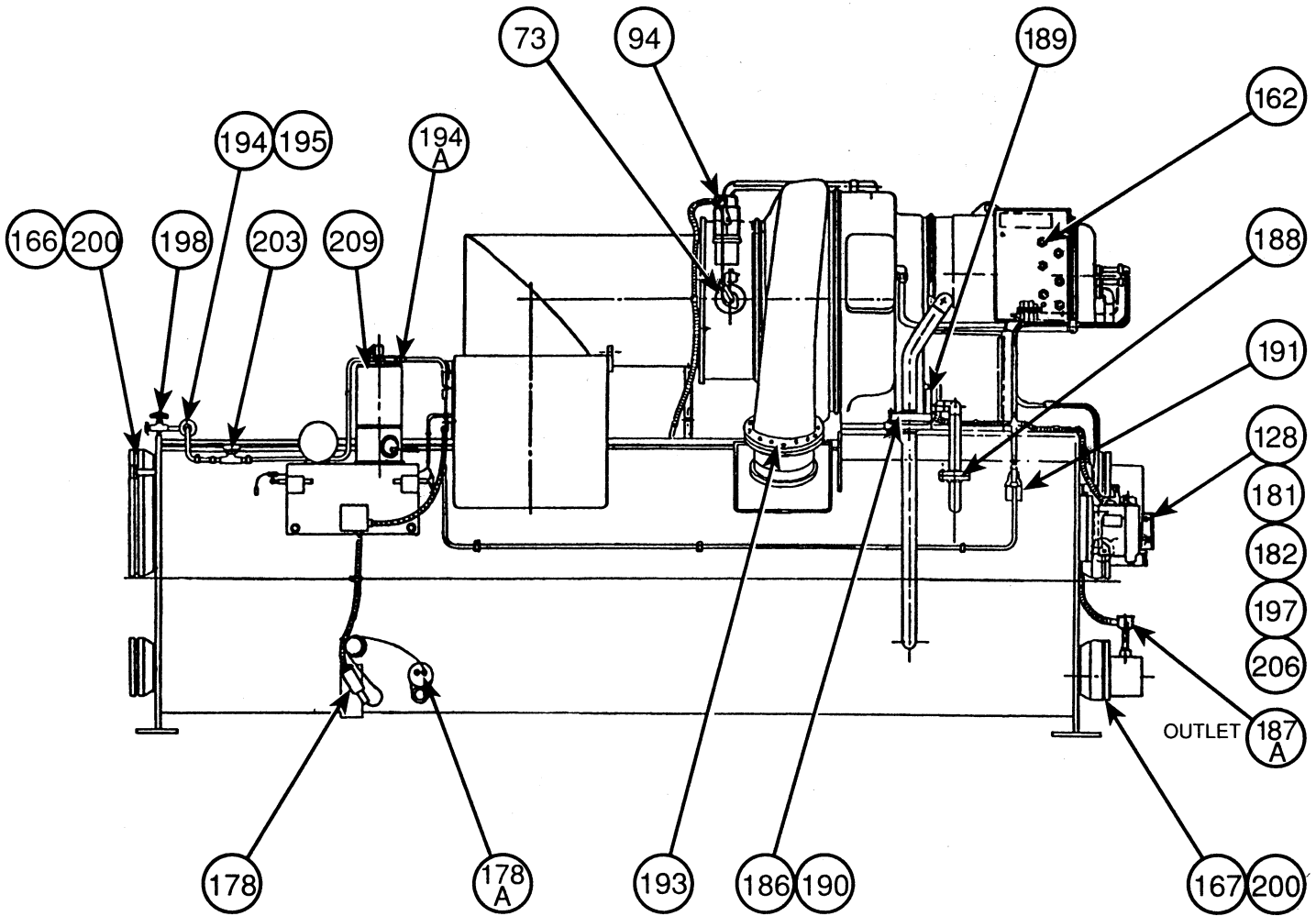
**LUBRICATION PACKAGE
(OIL PUMP ASSEMBLY)**



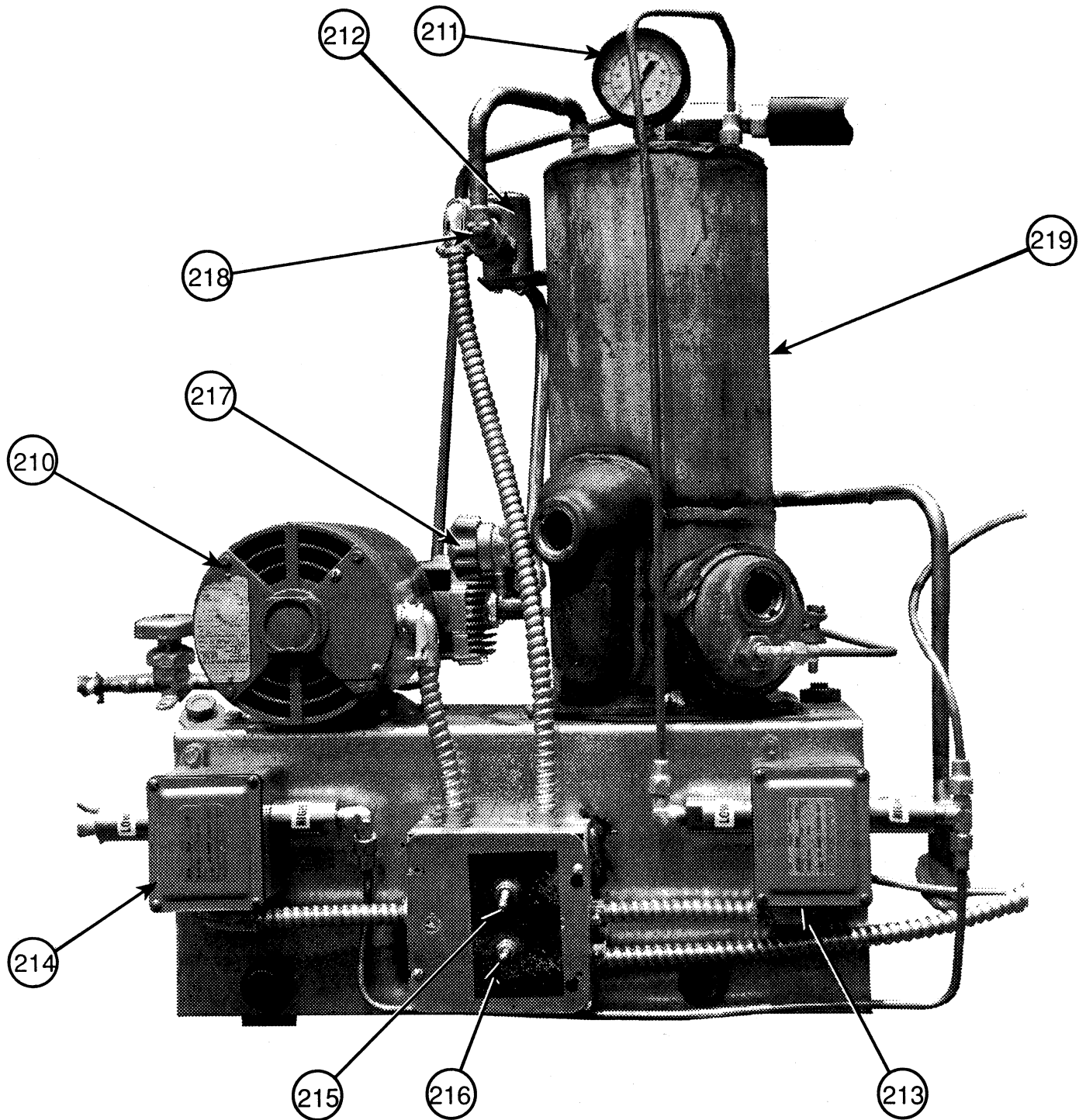


VIEW F-F

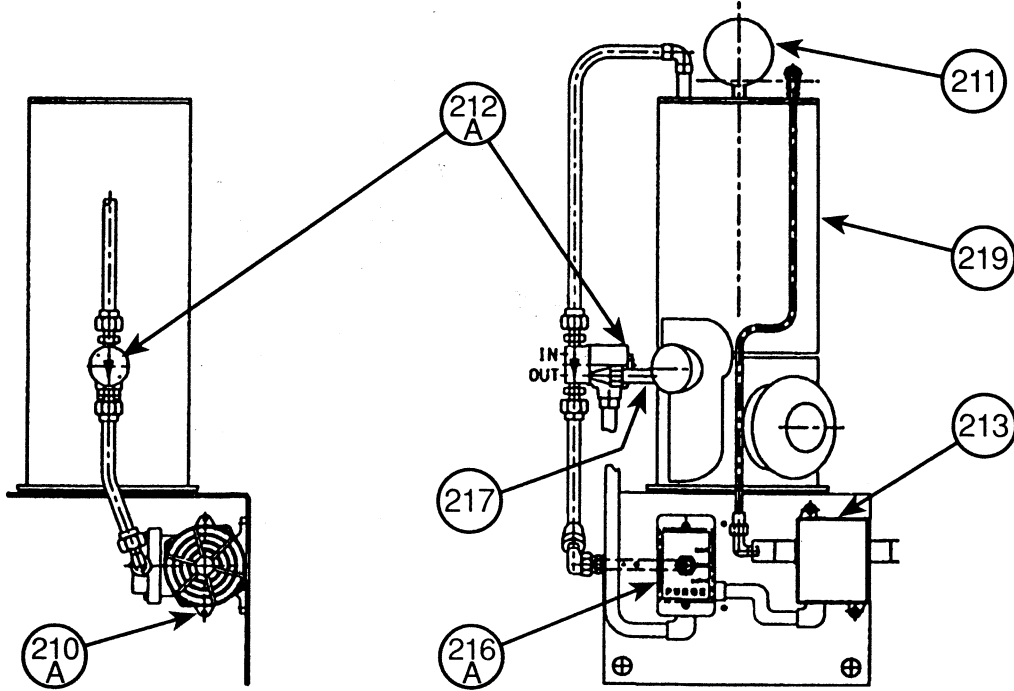
**UNISHELL AND INTERCONNECTING PIPING
MP CONTROLS**



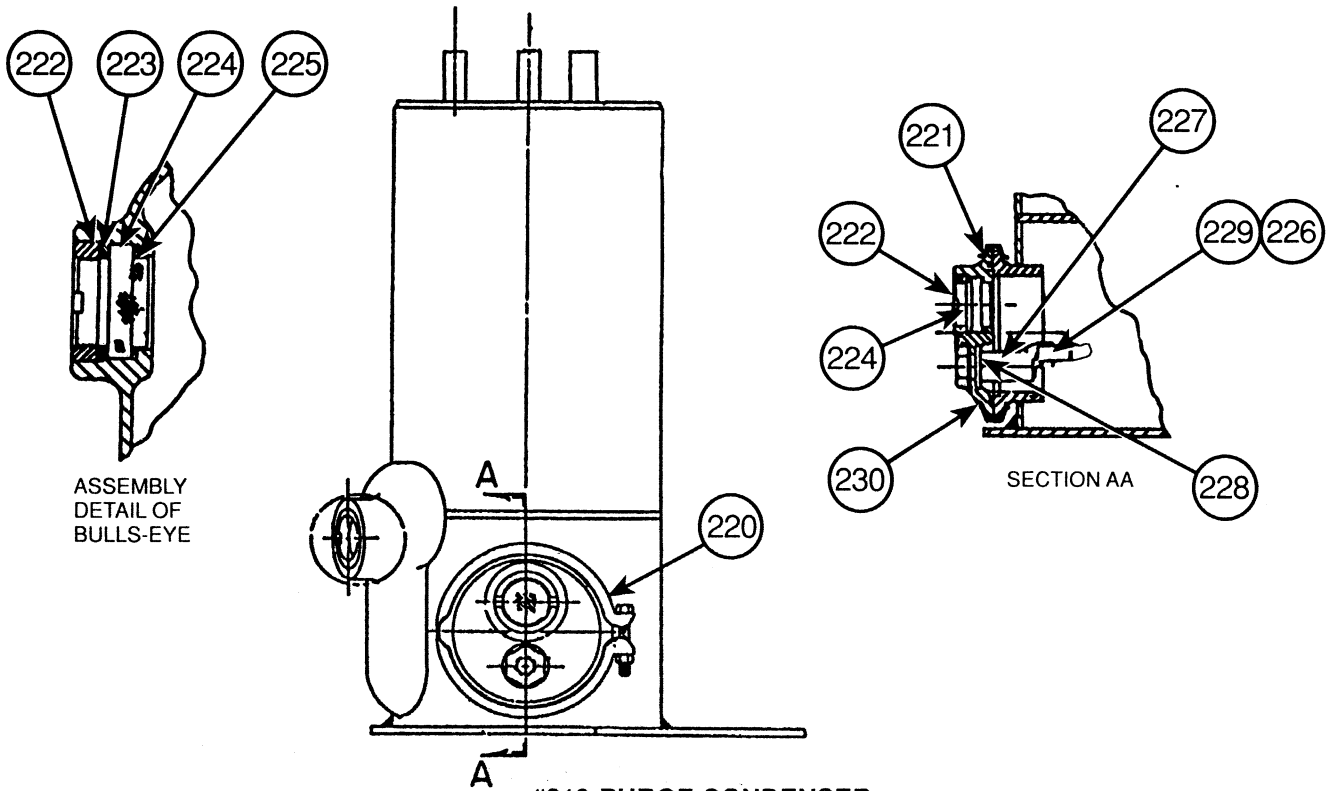
**UNISHELL AND INTERCONNECTING PIPING
(32SM)**



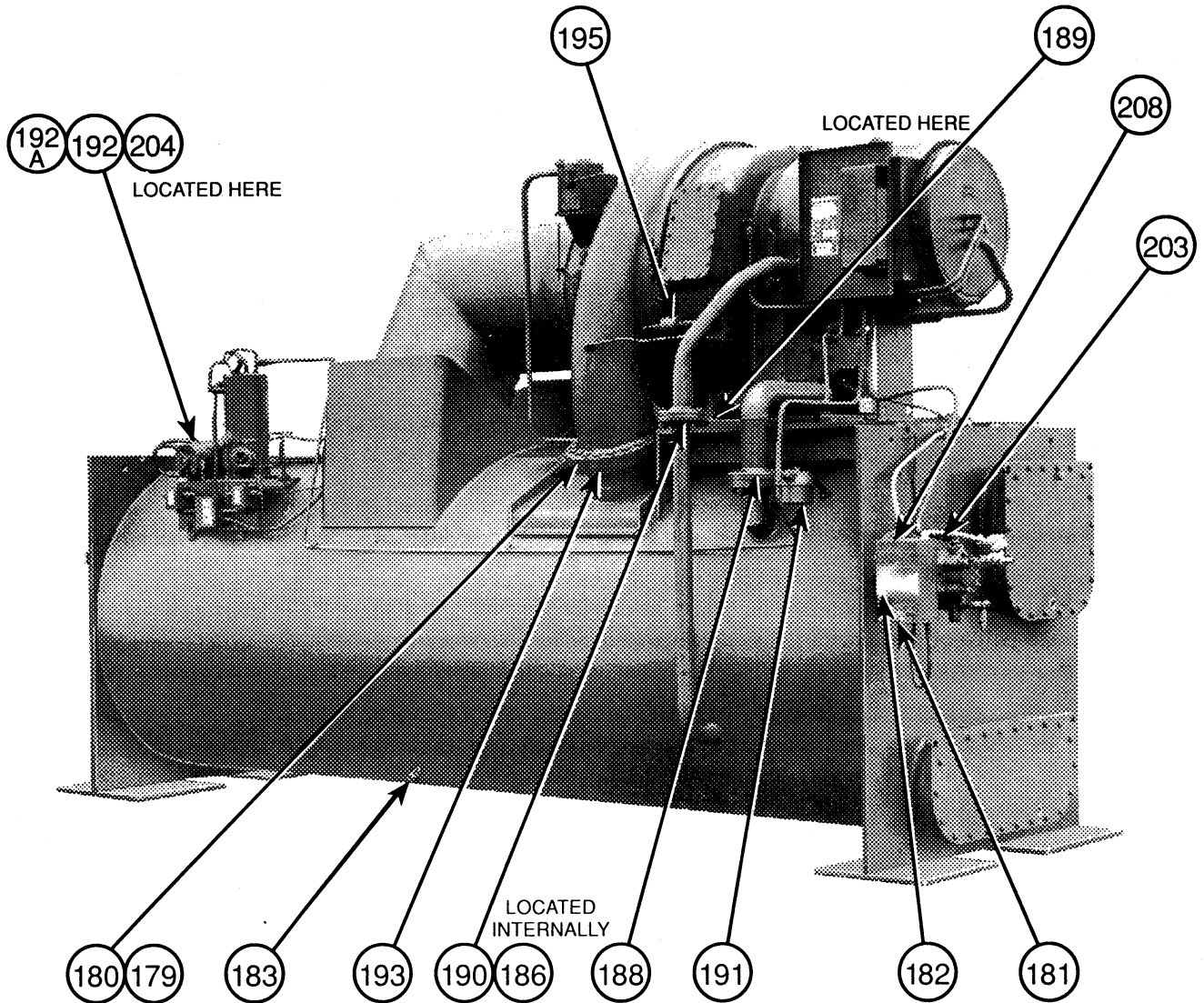
#209 - PURGE ASSEMBLY



#209A-PURGE ASSEMBLY



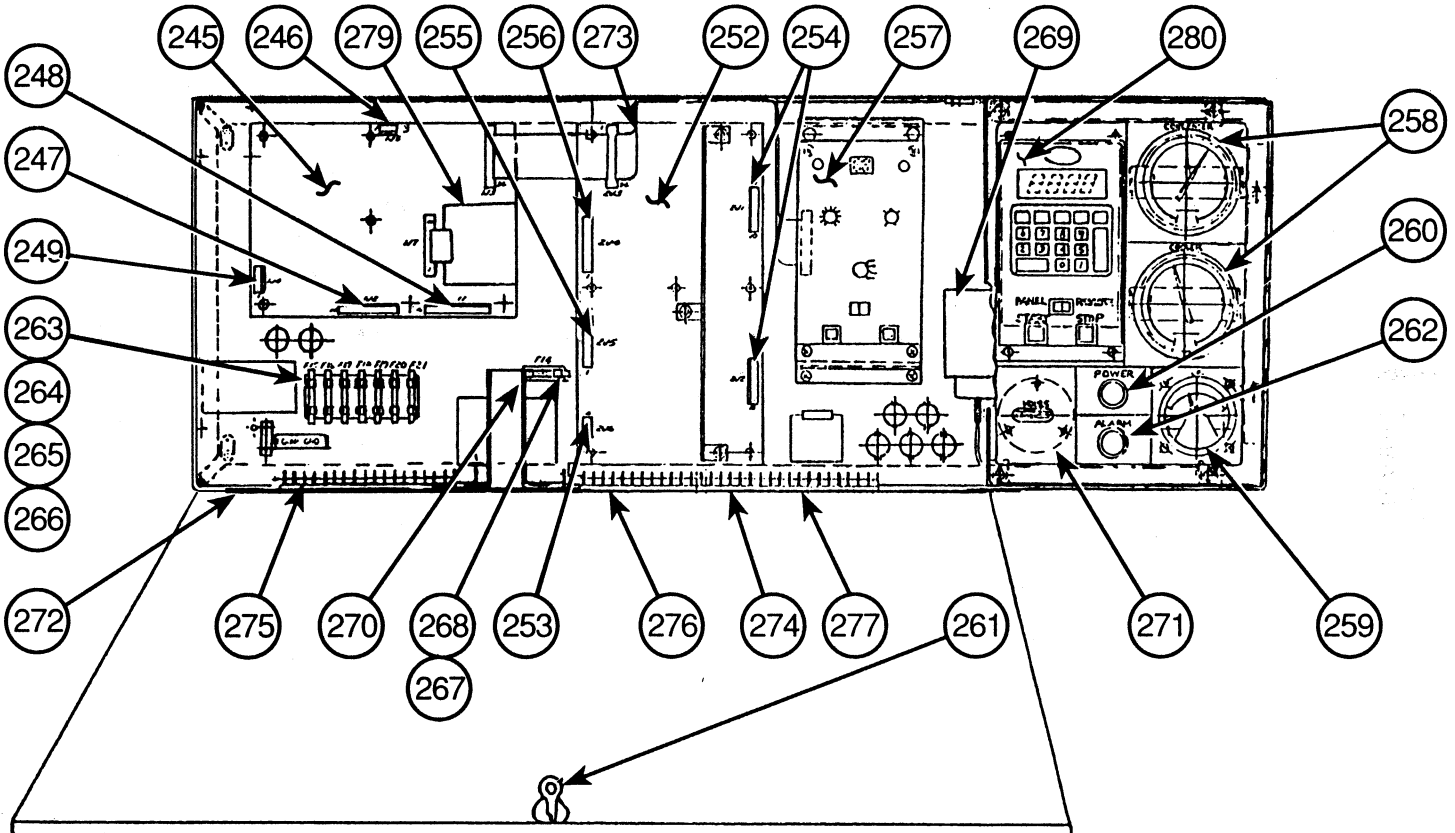
#219-PURGE CONDENSER



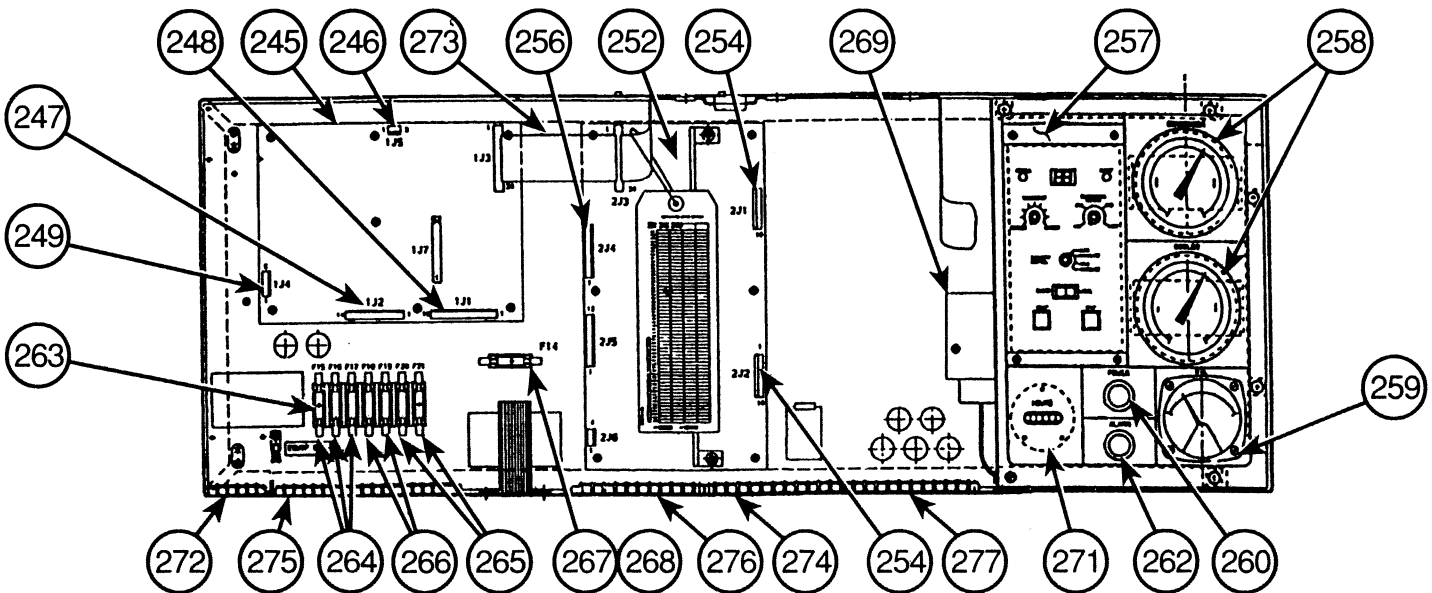
**UNISHELL AND INTERCONNECTING PIPING
(32MP)**

**HERMETIC CENTRIFUGAL CHILLER
WITH / WITHOUT MICRO-PROCESSOR**

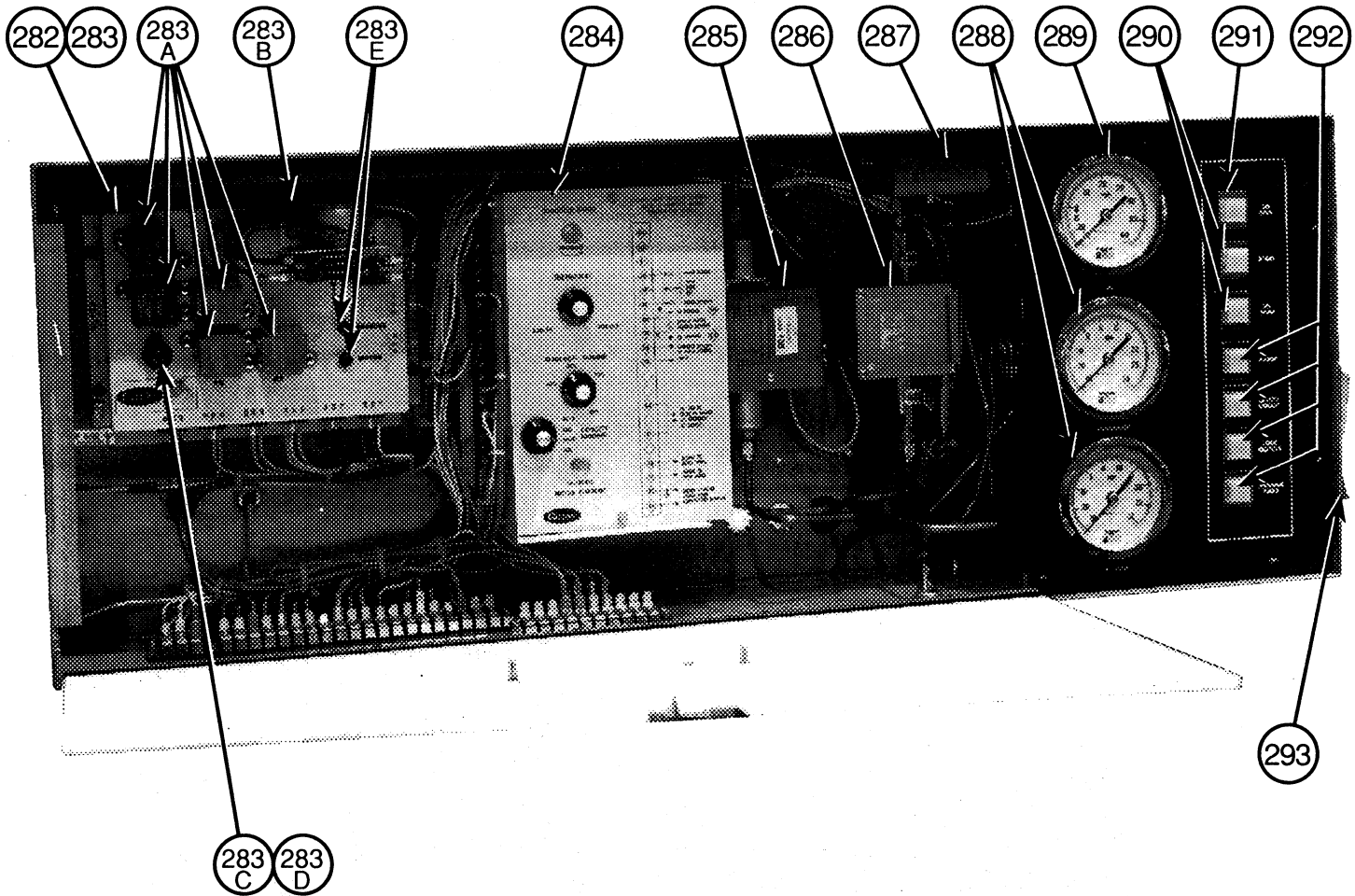
19 DK



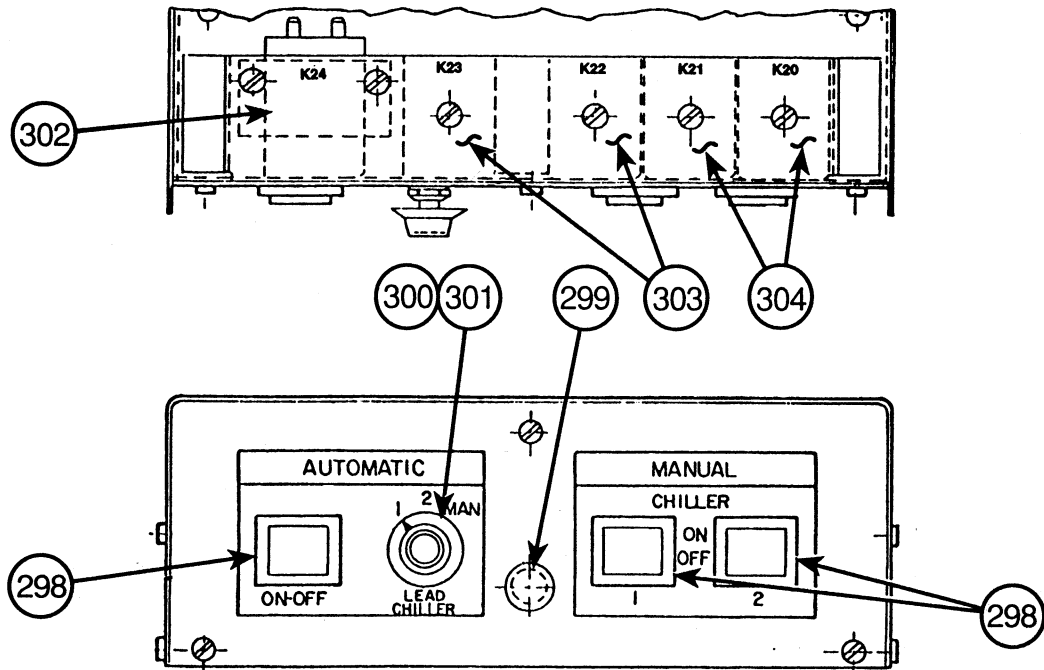
#243B, #243C - MICROPROCESSOR PANEL WITH ESP



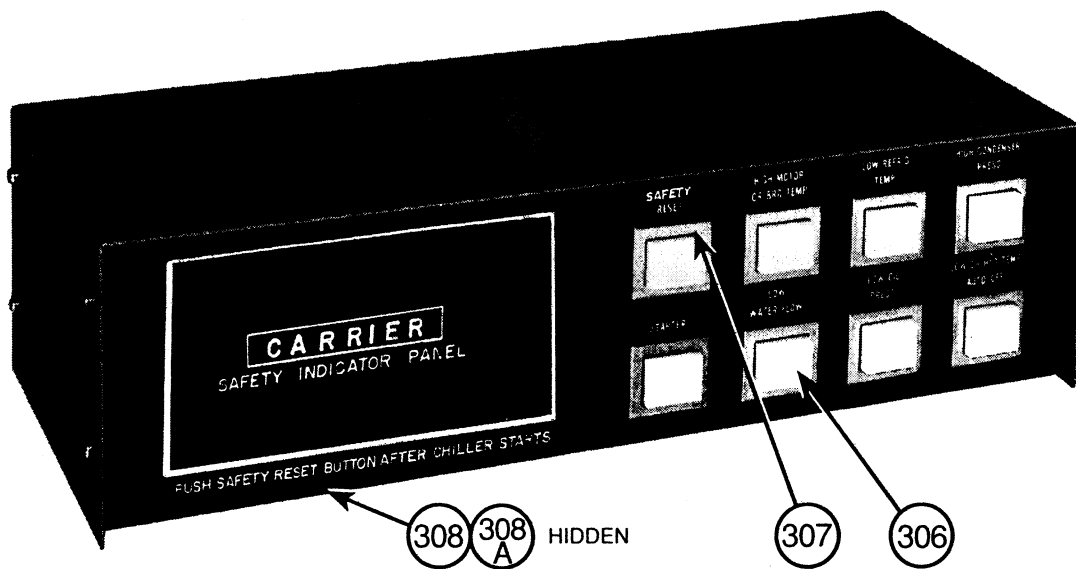
#243, #243A - BASIC MICROPROCESSOR PANEL



#281 CONTROL PANEL (32SM)



**#297-LEAD-LAG CONTROL ASSEMBLY
(32SM900001)**



**#305-SAFETY INDICATOR PANEL
(32GA900001) (32SM)**



HERMETIC CENTRIFUGAL CHILLER WITH / WITHOUT MICRO-PROCESSOR

19 DK

ITEM	PART DESCRIPTION	19DK 11	19DK 21	19DK 31
		COMPR SIZE	COMPR SIZE	COMPR SIZE
COMPRESSOR GROUP				
1	LABYRINTH ASSEMBLY	19DH11-102	19DH21-102	19DH31-102
1A	LABYRINTH ASSY (SEE NOTE 21, 31 SIZES)	19DG11-164	19DM660007	19DM660008
1B	LABYRINTH ASSEMBLY (31 HI VOLTAGE)	X	X	19DM660009
NOTE: THE 1/4" NPT CONNS IN LABYRINTH ON 21 & 31 COMPRESSORS ARE USED FOR SPRAY NOZZLES ONLY ON RELIANCE MOTOR JOBS. THESE CONNECTIONS NEED NOT BE PLUGGED IF YOU HAVE AN IDEAL MOTOR IN COMPRESSOR. THE NOZZLES USED IN RELIANCE MOTOR UNITS ARE 19DK221 - 283 ON 21 LO VOLT; 19DK221 - 293 ON 21 HI VOLTAGE; 19DK331-283 ON 31 LO VOLTAGE AND 19DK331-293 ON 31 HI-VOLTAGE, QUANTITY REQUIRED IS (4) IN ALL CASES.				
1C	"O" RING	X	KK71PR046	KK71PR047
2	SPACER, IMPELLER	19D11-1301	19D21-1301	19D31-1301
3	KEY, IMPELLER	(3) 19DH11-1012	(3) 19DH212-1032	(3) 19DH312-1032
4	SHIM, IMPELLER	19D11-1551	19D21-1551	19D31-1551
5	SEAL, STATIC	(4) KK73GV025	(4) ->	(6) ->
6	"O" RING (LABYRINTH)	KK71PR045	KK71PR050	KK71PR055
7	"O" RING (LABY PASSAGE)	KK71PR004	->	KK71PR005
8	COUPLING, " V " BAND	CT28MM255	CT28MM313	CT28MM388
9	"O" RING (COMPR BASE / VOLUTE)	KK71ER240	KK71ER293	KK71ER371
10	COUPLING, " V " BAND	CT28MM181	CT28MM204	->
11	"O" RING (COMPR BASE / MOTOR HSG)	KK71GX165	KK71GX193	->
12	COUPLING, " V " BAND	CT28MM215	CT28MM241	CT28MM278
13	"O" RING (VOLUTE / G. V. HOUSING)	KK71GX195	KK71GX225	KK71GX263
14	COUPLING " V " BAND (11, 21 A6)	CT28MM165	->	X
14A	COUPLING, " V " BAND (21 CB - CL, 31)	X	CT28MM204	->
15	"O" RING (11,21 A6)	KK71GX155	->	X
15A	"O" RING (21 CB - CL,31)	X	KK71GX193	->
16	GLASS, SIGHT	KM36BZ002	->	->
17	FLANGE & NOZZLE ASSY (11, 21 A6)	19DH11-112	->	X
17A	FLANGE & NOZZLE ASSY (21C2-C6 ; 31C4-C10)	X	19DH21-112	->
17C	SPRAY HEADER (21 HC1- 6; 31 HC4 - 10)	X	19DH15-143	->
NOTE: ITEMS #17,17A & 17C ARE ALSO FOR THE 50 HERTZ EQUIVALENTS OF MODELS LISTED.				
18	RING, FELT (HI VOLTAGE ONLY)	X	19DH21-1092	->
19	BEARING, REAR MOTOR	19DH11-1104	->	->
20	"O" RING (REAR BEARING)	KK71PR025	->	->
21	NOSE PIECE (1/4 - 28 TAPPING)	19DH11-1002	19D21-2282	19DH31-1002
21A	NOSE PIECE (5/16 - 24 TAPPING)	19DK112-1032	19DK212-1032	19DK312-1032
22	LOCK WASHER	19D11-2181	19D21-2181	19D31-2181
23	PIN, LOCKING	(3) 19D11-2191	(3) 19D31-2191	(3) ->
24	SCREW, SET (1/4 - 28 CUP POINT)	(2) AE54FR164	(2) ->	(2) AE54FR167
24A	SCREW, SET (5/16 - 24 CUP PT KNURL)	(2) AE54BR194	(2) ->	(2) AE54BR197
25	GAUGE, TEMPERATURE	(2) KM14BC222P	(2) ->	(2) ->
26	COVER, SIGHT GLASS	17DA81-1822	->	->
27	GASKET, SIGHT GLASS	(2) KM39BT041	(2) ->	(2) ->
28	GLASS, SIGHT	KM39BT031	->	->
29	ASSY, DEMISTOR	19DK112-103	->	->
30	GASKET, DEMISTOR	19DK119-1053- 33	->	->
31	GASKET, SEAL LEAK RETURN	19DK119-1093-33	->	->
32	EJECTOR	17EA013-1572	->	->
33	STRAINER	KH11NG070	->	->
34	BOX, CONDUIT (32MP) (SENSORS)	HX22FS036	->	->
35	BOX, OIL HEATER CONDUIT	HX22FB052	->	->
36	LIGHT, PILOT (WHITE) (105 - 125 VDC)	HY19AD024	->	->
37	CONNECTOR 3/8" - 90	HW62EH106	->	->
38	COVER, TERMINAL BOX	HX02FB050	->	->
39	SWITCH, TEMPERATURE (32MP)	HH16NA020	->	->
39A	NI SWITCH, TEMPERATURE (32SM)	HH16NA019	->	->
40	TERMINAL, RING	(2) HY94TW330	(2) ->	(2) ->
41	TERMINAL, RING	HY94TW475	->	->
42	HEATER, OIL	HT32ZZ122	->	->
43	GASKET, ACCESS OPENING	19DK119-1062	->	19DK139-1062
44	TERMINAL, HERMETIC	(4) HY85FP065	(4) ->	(4) ->
45	TERMINAL, THERMOSTAT (4 PIN) (32SM)	HY85FP031	->	->



HERMETIC CENTRIFUGAL CHILLER WITH / WITHOUT MICRO-PROCESSOR

19 DK

ITEM	PART DESCRIPTION	19DK 11	19DK 21	19DK 31
		COMPR SIZE	COMPR SIZE	COMPR SIZE
COMPRESSOR GROUP (CONT'D)				
46	"O" RING (32SM)	KK71GX020	->	->
47	WIRING HARNESS (THRUST SENSOR/32MP) INCLUDES: ITEMS 47A - 47C	19DK660004	->	->
47A NI	HARNESS, WIRING (SEE NOTE 51A)	NSS	->	->
47B NI	RING, SNAP	AU49AR210	->	->
47C NI	RETAINER, GROMMET	19DK212-1052	->	->
51	WIRING ASSEMBLY (THRUST SENSOR/32SM) INCLUDES: ITEMS 51 - 51C	19DA660008	->	->
51A NI	WIRING ASSEMBLY	NSS	->	->
NOTE: BOTH 51A & 47A USE 19DK119 - 1102 BUSHING				
51B NI	RING, SNAP	AU49AR201	->	->
51C NI	RETAINER, GROMMET	19DK212-1052	->	->
55	THERMOSTAT WIRE ASSY (32SM/THRUST) INCLUDES: ITEM 55A	19DA11-112	->	->
55A	THERMOSTAT	19DA11-1402	->	->
57	THERMISTOR SENSOR ASSY (32MP/THRUST) INCLUDES: ITEM 57A	19DK116-202	->	->
57A NI	SENSOR	HN79NZ045	->	->
59	SENSOR, TEMP (MOTOR WINDINGS) (32SM)	HH12HA105	->	->
59A	SENSOR, TEMP (MOTOR WINDINGS) (32MP)	32MP500354	->	->
GUIDE VANE & BLADE RING				
61	BLADE RING ASSEMBLY INCLUDES: ITEMS 62 - 72	19DA11-143	19DA21-143	19DA31-143
62	PULLEY, DRIVE	19D21-2063	->	->
63	CABLE ASSEMBLY	19D11-192	19D21-192	19D31-192
64	BUSHING (IDLER PULLEY)	(9) KT53XL055	(9) ->	(9) ->
65	PIN PACKAGE INCLUDES: ITEMS 66 - 68	19DA21-001	->	->
66 NI	PIN	(9) NSS	(9) ->	(9) ->
67 NI	WASHER	(18) NSS	(18) ->	(18) ->
68 NI	COTTER PIN	(18) AX01AA046	(18) ->	(18) ->
69	PULLEY, IDLER	(9) 19D21-1252	(9) ->	(9) ->
70	PULLEY, BLADE	(8) 19D21-1242	(8) ->	(8) ->
71	BUSHING	(18) KT53XL093	(18) ->	(18) ->
72	BLADE, PRE WHIRL	(9) 19D11-1044	(9) 19D21-1044	(9) 19D31-1044
73	SHAFT & SEAL ASSY 1/2" (VERT. OIL CUP)	19D21-113	->	->
73A NI	SHAFT & SEAL ASSY 1/2" (NO OILCUP)	19DM212-213	->	->
73B	SHAFT & SEAL ASSY 7/8" (ANGLE OIL CUP) INCLUDES: ITEMS 74 - 93	19DM222-253	->	->
74	SHAFT (1/2" DIA. CRANK END) (FOR #73)	19D21-1063	->	->
74A NI	SHAFT (1/2" DIA. CRANK END) (FOR #73A)	19DM212-1103	->	->
74B	SHAFT (7/8" DIA. CRANK END) (FOR #73B)	19DM212-1123	->	->
75	ROLL PIN	AX14CA042	->	->
76	KEY	19D21-1391	->	->
77	HOUSING, BEARING (FOR #73)	19D21-1073	->	->
77A	HOUSING, BEARING (FOR #73A, 73B)	19DM222-1093	->	->
78	FLANGED NYLINER	KT58BZ082	->	->
79	WASHER, THRUST (OUTER)	19DM212-1282	->	->
80	RING, BOWED RETAINER	AU45AR187	->	->
81	"O" RING (2 3/8" O.D.)	KK71PR020	->	->
82	"O" RING (1 3/8" O.D.)	(2) KK71PR015	(2) ->	(2) ->
83	OIL CUP, SNAP CAP (PRESS IN)	CW51ZZ001	->	->
83A	OILER, RESERVOIR (1/8" NPT)	CW51EG603	->	->
84	SEAL, MECHANICAL INCLUDES: ITEMS 85 - 87	19C35-014	->	->
85	QUAD-RING	KK74ZW181	->	->
86	QUAD-RING	KK74ZW112	->	->
87	SEAL, MECHANICAL	NSS	->	->
89	WASHER, THRUST (INNER)	KT59WL180	->	->

Catalog No.: 19.018 (03-93)

Page : 20

Supersedes: 19.012 (06-85) & 19.014 (08-85)

Note: See "Catalog Notes" on last page for explanation of symbolism.

Litho in U.S.A.



HERMETIC CENTRIFUGAL CHILLER WITH / WITHOUT MICRO-PROCESSOR

19 DK

ITEM	PART DESCRIPTION	19DK 11	19DK 21	19DK 31
		COMPR SIZE	COMPR SIZE	COMPR SIZE
GUIDE VANE & BLADE RING ASSEMBLY (CONT'D)				
91	"O" RING	KK71GZ018	->	->
93	SEAL, OIL	KT90UL087	->	->
94	MOTOR, ACTUATOR	HF26BB061	->	->
	INCLUDES: ITEM 95			
95	NI FEEDBACK POT	HT24AV120	->	->
96	CONNECTOR, LINKAGE	(2) HF91BB125	(2) ->	(2) ->
97	CRANK ARM (LOWER) (CAST) (1/2" BORE)	19D23-2152	->	->
97A	CRANK ARM (LOWER) (STEEL) (7/8" BORE)	19DM212-1322	->	->
99	CRANK ARM (UPPER) (CAST) (1/2" BORE)	19EB412-1032	->	->
99A	CRANK ARM (UPPER) (STEEL) (7/8" BORE)	19DM212-1312	->	->
100	LOCKWASHER, SPRING 1/4"	(2) NSS	(2) ->	(2) ->
101	PUSH ROD	19DG112-1002	->	->
COMPRESSOR TRANSMISSION ASSEMBLY				
102	BEARING ASSEMBLY (BULL GEAR)	19D21-244	->	19D31-244
103	BEARING ASSEMBLY 50 HZ	19D11-664	19D21-464	19D31-464
103A	NI BEARING ASSEMBLY 60 HZ	19D11-234	19D21-234	19D31-234
104	PINION PACKAGE 50 HZ	19DA11-181	19DA21-181	19DA31-181
104A	NI PINION PACKAGE 60 HZ	19D17-841	19D21-841	19D31-841
105	KEY, PINION	(2) 19D11-1411	19D21-1411	19D31-1411
106	LOCK NUT, BULL GEAR	KT89ZZ390	->	KT89ZZ420
107	LOCKWASHER, MULTI TANG	AU46AA601	->	AU46AA721
THRUST BEARING & SHAFT ASSEMBLY				
108	THRUST BEARING & SHAFT ASSY (32MP)	19DK112-104	19DK212-104	19DK312-104
108A	THRUST BEARING & SHAFT ASSY (32SM)	19DH13-161	19DH23-161	19DH33-161
NOTE: SELECT ASSEMBLY OR PARTS PER YOUR CONTROL SYSTEM TYPE. USE PARTS IDENTIFIED WITH THE CONTROL SYSTEM YOU HAVE EITHER SENSOR MODULE (SM) OR MICRO PROCESSOR (MP).				
	INCLUDES: ITEMS 110 - 127			
110	SHAFT, IMPELLER	19DH11-1003	19DH21-1003	19DH31-1004
111	RETAINING RING, EXTERNAL	AU49AR106	AU49AR143	AU49AR181
112	SLINGER	19D11-1292	19D21-1292	19D31-1292
113	BEARING ASSEMBLY	19DA11-171	19DA21-171	19DH31-171
114	THRUST SHOE ASSY (SET OF 6)	19DA13-203	19DA23-203	19DA33-203
115	RING, SPACER (32MP)	19DK112-1004	19DK212-1034	19DK312-1034
115A	RING, SPACER (32SM)	19DA13-1014	19DA23-1014	19DA33-1014
116	LOCKWASHER #8	(8) AU11AR101	X	(8) AU11AR101
117	SCREW, PAN HEAD #8 - 32	(8) AC41AA109	X	(8) AC41AA110
118	CAPSCREW, SOCKET HD #8 - 32 X 1/4" LG.	X	AA44AA098	X
119	RING, SEAL (32MP)	19DK112-1022	19DK212-1022	X
119A	RING, SEAL (32SM)	19DA13-1272	19DA23-1272	X
120	RING, RETAINING (32MP)	19DK112-1012	19DK212-1013	19DK312-1012
120A	RING, RETAINING (32SM)	19DA13-1012	19DA23-1013	19DA33-1012
121	PAD, LEVELING	(12) 19D11-0103	(12) 19D21-0052	(12) 19D32-0052
122	PAD PACKAGE, ADJUSTING	19D23-841	->	->
124	CAPSCREW, SOCKET HD #8 - 32 X 1 1/2" LG	X	(5) AA44AA109	X
125	SEAL RING & PIN ASSEMBLY	X	X	19DA33-472
126	NI NOSE PIECE (32SM)	19D11-2282-1	19D21-2282-1	19D31-2282-1
127	NI KEY, IMPELLER (32SM)	(3) 19DH11-1012	(3) 19DH212-1032	(3) 19DH312-1032
LUBRICATION PACKAGE				
128	OIL PUMP ASSEMBLY (200 - 240V; 3 - 60HZ)	19DK111-444	->	->
128A	OIL PUMP ASSEMBLY (380 - 600V; 3 - 60HZ)	19DK311-444	->	->
128B	OIL PUMP ASSEMBLY (310 - 440V; 3 - 50HZ)	19DK311-454	->	->
	INCLUDES: ITEMS 130 - 155			
130	RING, FILTER	19D31-2382	->	->
131	"O" RING	KK71PR035	->	->
132	PLUG, MAGNETIC 3/8"	CA99RA101	->	->
133	"O" RING	KK71PR030	->	->
134	PLUG, FILTER	19D31-2134	->	->
135	FILTER	KH09AZ002	->	->
136	ROD, FILTER CLAMPING	19D31-2372	->	->



HERMETIC CENTRIFUGAL CHILLER WITH / WITHOUT MICRO-PROCESSOR

19 DK

ITEM	PART DESCRIPTION	COMPR SIZE		
		19DK 11	19DK 21	19DK 31
LUBRICATION PACKAGE (CONT'D)				
137	COIL ASSY, COOLING	19D31-723	->	->
138	SPRING	19D21-1071	->	->
139	GASKET	19DK119-1023	->	->
140	LOCKNUT 5/16 - 18	AT55BA201	->	->
141	GASKET, OIL COOLER	(2) 19DK119-1032	(2) ->	(2) ->
142	WASHER	(2) 19D21-1061	(2) ->	(2) ->
143	VALVE, ANGLE	EP23LA155	->	->
144	PISTON VALVE	19D21-1002	->	->
145	SPRING	19D31-1591	->	->
146	RETAINER, SPRING	19D31-1012	->	->
147	"O" RING	KK71PR010	->	->
148	RING, CLAMPING	19D21-1011	->	->
149	SCREW, SET (SPOT DRILL STATOR)	(2) AE17AR166	(2) ->	(2) ->
150	VANE, PUMP (60 HZ)	(4) 19D31-1021	(4) ->	(4) ->
150A NI	VANE, PUMP (50 HZ)	(4) 17CA61-1181	(4) ->	(4) ->
151	PUMP & MOTOR PACKAGE (200 - 480V; 60 HZ)	19D32-841	->	->
151A NI	PUMP & MOTOR PACKAGE (550 - 619V; 60 HZ)	19D37-841	->	->
151B NI	PUMP & MOTOR PACKAGE (220 - 415V; 50 HZ)	19D36-841	->	->
151C NI	HOUSING, OIL PUMP (60 HZ)	19D21-1323	->	->
151D NI	HOUSING, OIL PUMP (50 HZ)	19D23-1323	->	->
152 NI	TERMINAL PACKAGE	19DA660003	->	->
INCLUDES: ITEMS 153 - 155				
153	HERMETIC TERMINAL	(3) HY85FP060	(3) ->	(3) ->
154 NI	BUSHING, RED. 1/4 MPT X 1/8 FPT	(3) CA53AA052	(3) ->	(3) ->
155 NI	CONNECTOR, Q / C	(3) HY61AM084	(3) ->	(3) ->
156	GASKET, OIL PUMP	19DK119-1022	->	->
MOTOR TERMINAL ARRANGMENT GROUP				
157	INSULATOR, TERM. 1 1/4" NPT (HI - VOLT)	(3) 19FA502-1504	(3) ->	(3) ->
158	RETAINER, TERMINAL (HI - VOLTAGE)	(6) 19FA502-1242	(6) ->	(6) ->
159	RING, PACKING (HI - VOLTAGE)	(3) 19FA502-1232	(3) ->	(3) ->
160	NUT, PACKING (HI - VOLTAGE)	(3) 19FA502-1222	(3) ->	(3) ->
161	NUT, JAM 9/16 - 18 (HI - VOLTAGE)	(3) AT14QA311	(3) ->	(3) ->
162	TERMINAL, LOW VOLTAGE 1" NPT	(6) 19DA11-1502	(6) ->	(6) ->
163	ADAPTER, TERMINAL (.611 DIA. CABLE)	(3) 19EA41-004	(3) ->	(3) ->
164	ADAPTER, TERMINAL (.789 DIA. CABLE)	(3) 19EA41-005	(3) ->	(3) ->



HERMETIC CENTRIFUGAL CHILLER WITH / WITHOUT MICRO-PROCESSOR

19 DK

ITEM	PART DESCRIPTION	REPLACEMENT PART NUMBER
UNISHELL & INTERCONNECTING PIPING		
165	VALVE, GLOBE 3/4" NPT (50 - 78)	ER39BE090
NOTE: ON 3 PASS VESSELS (NOZZLE ON EACH END) USE SAME GASKET ON BOTH ENDS. ON A 2 OR 4 PASS VESSEL WITH MARINE W/ B'S, THE PLAIN END USES SAME GASKET AS A NIH TYPE OF SAME SIZE.		
166	GASKET, CONDENSER W/B (NIH) (42 - 57)	(2) 19DK214-1003
166A NI	GASKET, CONDENSER W/B (NIH) (61 - 65) (1 PASS 71 - 73)	(2) 19DK314-1003
166B NI	GASKET, CONDENSER W/B (NIH) (71 - 73) (2 - 4 PASS)	(2) 19DK414-1003
166C NI	GASKET, CONDENSER W/B (NIH) (76 - 78)	(2) 19DK464-1014
166D NI	GASKET, CONDENSER W/B (MAR) (50 - 57) (2 PASS)	19DK114-1034
166E NI	GASKET, CONDENSER W/B (MAR) (50 - 57) (3 PASS)	(2) 19DK114-1034
166F NI	GASKET, CONDENSER W/B (MAR) (61 - 65) (2 - 4 PASS)	19DK314-1034
166G NI	GASKET, CONDENSER W/B (MAR) (61 - 65) (3 PASS)	(2) 19DK314-1034
166H NI	GASKET, CONDENSER W/B (MAR) (71 - 73) (2 / 4 PASS)	19DK414-1034
166J NI	GASKET, CONDENSER W/B (MAR) (71 - 73) (3 PASS)	(2) 19DK414-1034
166K NI	GASKET, CONDENSER W/B (MAR) (76 - 78) (2 / 4 PASS)	19DK464-1034
167	GASKET, COOLER W/B (NIH) (42 - 46)	(2) 19DG11-5213
167A NI	GASKET, COOLER W/B (NIH) (50 - 57)	(2) 19DG213-1123
167B NI	GASKET, COOLER W/B (NIH) (61 - 65)	(2) 19DG313-1164
167C NI	GASKET, COOLER W/B (NIH) (71 - 73)	(2) 19DG413-1164
167D NI	GASKET, COOLER W/B (NIH) (76 - 78)	(2) 19EA463-1103
167E NI	GASKET, COOLER W/B (MAR) (50 - 57) (2 PASS)	19DK103-1004
167F NI	GASKET, COOLER W/B (MAR) (50 - 57) (3 PASS)	(2) 19DK103-1004
167G NI	GASKET, COOLER W/B (MAR) (61 - 65) (2 / 4 PASS)	19DK303-1004
167H NI	GASKET, COOLER W/B (MAR) (61 - 65) (3 PASS)	(2) 19DK303-1004
167J NI	GASKET, COOLER W/B (MAR) (71 - 78) (2 / 4 PASS)	19DK403-1004
167K NI	GASKET, COOLER W/B (MAR) (71 - 78) (3 PASS)	(2) 19DK403-1004
168	GASKET, SUMP	19DG117-1532
169	SCREEN, VALVE (INTERNAL) (42 - 57)	19DG117-214
169A NI	SCREEN, VALVE (INTERNAL) (61 - 78)	19DG317-214
170	VALVE ASSEMBLY, POPPET (I.D. 321)	19DR501-444
170A NI	VALVE ASSEMBLY, POPPET (I.D. 322)	19DR511-444
170B NI	VALVE ASSEMBLY, POPPET (I.D. 323) (REPL 19DG117-204)	19DR521-444
170C NI	VALVE ASSEMBLY, POPPET (I.D. 324) (REPL 19DG217-204)	19DR531-444
170D NI	VALVE ASSEMBLY, POPPET (I.D. 325)	19DR541-444
170E NI	VALVE ASSEMBLY, POPPET (I.D. 326) (REPL 19DG237-204)	19DR551-444
170F NI	VALVE ASSEMBLY, POPPET (I.D. 327)	19DR561-444
170G NI	VALVE ASSEMBLY, POPPET (I.D. 328) (REPL 19DG317-204)	19DR571-444
170H NI	VALVE ASSEMBLY, POPPET (I.D. 329) (REPL 19DG417-204)	19DR601-444
170J NI	VALVE ASSEMBLY, POPPET (I.D. 330)	19DR611-444
171	SHIM, POPPET VALVE (INTERNAL)	19DG117-1112
NOTE: THE 2" RUPTURE DISC WAS USED ON ALL MACHINE SIZES AFTER 8551. (1985 WEEK 51) SEE ITEM #333 FOR ATERNATE CHOICE.		
172	RUPTURE DISC PKG. 2" (42 - 57)	17Q3-317
172A NI	RUPTURE DISC PKG. 3" (61 - 78)	17Q4-317
INCLUDES: ITEM 173 OR 173A		
173	GASKET, RUPTURE DISC (FOR ITEM #172)	(2) CR90SZ001
173A NI	GASKET, RUPTURE DISC (FOR ITEM #172A)	(2) CR90SZ002
174	SCREEN, MOTOR COOLING	19DG117-1502
175	SPRING, COMPRESSION (POPPET)	19DG117-1012
176	CLAMP (FOR ITEM #169)	KA69KM300
177	PLATE, MOTOR COOLING RETAINING	19DG117-1512
178	SWITCH ASSEMBLY, TEMPERATURE (32SM)	HH24ZB034
178A	THERMOWELL (FOR ITEM #178)	HL79MZ006
179	SENSOR, TEMPERATURE (32MP)	(4) HN79NZ024
180	CONNECTOR, MALE (32MP)	(4) DC99RA015
181	STARTER, OIL PUMP CUTTLER - HAMMER, W/O HEATERS	HN03AC800
NOTE: THE G/E STARTER IS NO LONGER AVAILABLE REPLACE WITH ITEM #181 & HEATER ITEM #182 OF YOUR REQUIRED VOLTAGE.		
182	HEATER, ELEMENT (C - H) (200 - 240 / 60 HZ)	HN71AZB50
182A NI	HEATER, ELEMENT (C - H) (380 - 480 / 60 HZ)	HN71AZB46
182B NI	HEATER, ELEMENT (C - H) (550 - 600 / 60 HZ)	HN71AZB43
182C NI	HEATER, ELEMENT (C - H) (220 - 240 / 50 HZ)	HN71AZB52
182D NI	HEATER, ELEMENT (C - H) (380 - 440 / 50 HZ)	HN71AZB46

Catalog No.: 19.018 (03 - 93)

Page : 23

Supersedes: 19.012 (06 - 85) & 19.014 (08 - 85)

Note: See "Catalog Notes" on last page for explanation of symbolism.

Litho in U.S.A.

**HERMETIC CENTRIFUGAL CHILLER
WITH / WITHOUT MICRO-PROCESSOR**

19 DK

ITEM	PART DESCRIPTION	REPLACEMENT PART NUMBER
UNISHELL & INTERCONNECTING PIPING (CONT'D)		
183	GLASS, SIGHT (PRE 10/86 ONLY) (42-78)	(2) KM36BQ199
185	THERMOWELL, SUMP	19DG117-102
186	GASKET, REFRIG. DRAIN 2"	19DK119-1132
187	NI CHILL WATER TEMPERATURE PROBE PKG. (32SM)	32SM500234
	INCLUDES: ITEM 187A	
187A	PROBE	32SM680001
188	GASKET, OIL DRAIN 2" (42-57)	19DK119-1132
188A	NI GASKET, OIL DRAIN 3" (61-78)	CT99ZX501
189	GASKET, OIL DRAIN (SQUARE) (COMPR END) (42-78)	19DK119-1103
190	VALVE, BACK PRESSURE	19D11-1962
191	FILTER ASSEMBLY	KH11YZ141
	INCLUDES: ITEMS 191A - 191B	
191A	NI CARTRIDGE, FILTER	KH19YZ140
191B	NI "O" RING	KK71PR044
192	FILTER (PURGE SUPPLY) (1 3/4" LG, 1/4" DIA)	19DK111-1242
192A	ORIFICE FITTING (.063) (PURGE PIPING AT SHELL) (KK71PR006 "O" RING)	19DK117-1212
193	GASKET, DISCHARGE 11 COMPR	19DK119-1043
193A	NI GASKET, DISCHARGE 21 COMPR	19DK129-1043
193C	NI GASKET, DISCHARGE 31 COMPR	19DK139-1043
194	ORIFICE (.062) 3/8" MFL (1 1/2" LG)	19DK111-1012
194A	ORIFICE (.12) 5/8" FFL X 1/2" MFL (1 3/4" LG)	19DK111-1002
194B	ORIFICE (.12) 3/8" FFL X 1/2" MFL (1 3/8" LG)	19DK111-1112
194C	NI ORIFICE (.062) 3/8" MFL (2 1/4" LG)	19DG11-5466
194D	NI ORIFICE (.12) 5/8" FFL X 1/2" MFL (1 3/4" LG)	19DG12-5466
195	STRAINER, SEALED (PRE 4 / 87 MACH'S)	KH11NG070
195A	NI STRAINER, INSERT (START 4 / 87 MACH'S)	KH11HH066
197	VALVE, PLUG (OIL PUMP)	EV01AM041
198	VALVE, SERVICE 3/8" ODS X 3/8" M.F.L.	EP10UZ121
200	GASKET, DIVISION PLATE (20" LG. CUT TO SUIT)	16JB680043
203	TUBES, COOLER / CONDENSER (SEE NOTE & PG.#2)	SEE NOTE
NOTE: FOR COOLER & CONDENSER TUBE NUMBERS AND QUANTITIES REQUIRED FOR YOUR MACHINE CONTACT YOUR CARRIER OFFICE		
PLEASE NOTE YOU MUST PROVIDE MACHINE SERIAL NUMBER.		
204	VALVE, ANGLE 1/4 NPT X 1/4 FL	EP23LC090
205	VALVE, PACKLESS DIAPHRAGM 3/8" ODS	EP10BA130
206	VALVE, SOLENOID (OIL PUMP)	EF11CM182
HOT GAS BYPASS		
207	NI VALVE, HOT GAS BYPASS (1 1/2") (11 COMPR)	17FA101-1313
207A	NI VALVE, HOT GAS BYPASS (2") (21 COMPR)	17FA111-1313
207B	NI ACTUATOR (FOR ITEM # 207 & 207A)	17FA101-1333
208	NI VALVE & ACTUATOR ASSY 3" (31 COMPR)	19DH117-1004
208A	NI GASKET, 3" RING (FOR ITEM # 208)	(2) CT99ZX501
208B	NI SWITCH, HGBP TEMPERATURE (W/WELL) (SET 44F)	17FA101-1323
PURGE ASSEMBLY		
209	PURGE ASSEMBLY PACKAGE (INCL'D'S 194C, 194D & 219) (32SM)	19DG660010
209A	PURGE ASSEMBLY PACKAGE (INCL'D'S ITEMS # 219A, 194, 194A & 195) (32MP)	19DK660010
	INCLUDES: ITEMS 210 - 230	
210	PUMP & MOTOR (115-1-50/60) (32SM) (B/ GLGH-2V) (1/4" NPT CONNS)	KK81AX031
	NOTE: SEE ITEMS # 231 - 234 FOR PUMP REPAIR PARTS.	
210A	PUMP & MOTOR (115-1-50/60) (32MP) (THOMAS 107CAB18-178)(1/4 NPT)	KK82ZX002
211	GAUGE, PRESSURE (32SM/MP)	KM03AC250
212	VALVE, SOLENOID (32SM)	EF11CQ070
212A	VALVE, SOLENOID (32MP)	EF13CQ062
213	SWITCH, PURGE OPERATING (32SM/MP)	HK06ZC030
214	SWITCH, PURGE SAFETY (32SM)	HK06ZC026
215	SWITCH, TOGGLE (2 WAY) (32SM)	HR53BE019
216	SWITCH, TOGGLE (3 WAY, 2 POLE) (32SM)	HR53VK120
216A	SWITCH, TOGGLE (3 WAY, 1 POLE) (32MP)	HR53ED011
217	VALVE, ANGLE (1/4" NPT X 1/4" FL)	EP23LC090
218	VALVE, CHECK (1/4" FPT)	19DG660002
219	PURGE ASSEMBLY (SINGLE COIL) (INCL'S ITEM # 219B) (32SM)	19DG12-908



HERMETIC CENTRIFUGAL CHILLER WITH / WITHOUT MICRO-PROCESSOR

19 DK

ITEM	PART DESCRIPTION	REPLACEMENT PART NUMBER
PURGE ASSEMBLY (CONT'D)		
219A	PURGE ASSEMBLY (INCL'S ITEM # 219B) (32MP)	19DK111-434
219B	PURGE CONDENSER ASSEMBLY	19DK111-233
	INCLUDES: ITEMS 220 - 230	
220	COUPLING, "V" BAND	CT28MP035
221	"O" RING	KK74ZW325
222	GLAND (2)	TS-380
223	GASKET, OUTER (2)	5F20-1631
224	GLASS, SIGHT (2)	19C35-6151
225	GASKET, INNER (2)	5F20-1011
226	BALL, FLOAT	EC28QZ030
227	VALVE	19DA11-551
228	GASKET, RING	19DK119-1042
229	ARM, FLOAT	19DA11-501
230	COVER	19DA11-5043
NOTE: CURRENT PUMPS MAY BE LABELED "PNEUMOTIVE DIV., ITT CORP" USE SAME REPAIR PACKAGES AS LISTED BELOW FOR B/G.		
231	NI PISTON REPAIR PACKAGE (B/G BLVGH ONLY) (3/8" NPT CONNS)	19DG660001
	INCLUDES: ITEMS 231A - 231C	
231A	NI RING SET, TEFLON PISTON (2 PER SET)	NSS
231B	NI SPRING SET (2 PER SET)	NSS
231C	NI SKIRT, TEFLON TAPE	NSS
232	NI VALVE REPAIR PACKAGE (B/G BLVGH ONLY) (3/8" NPT CONNS)	19P47-002
	INCLUDES: ITEMS 232A - 232C	
232A	NI GASKET (2)	NSS
232B	NI VALVE	NSS
232C	NI VALVE	NSS
233	NI PISTON REPAIR PACKAGE (B/G LGH - 2V ONLY) (1/4" NPT CONNS)	19P47-003
	INCLUDES: ITEMS 233A - 233B	
233A	NI RING SET	NSS
233B	NI SPRING SET	NSS
234	NI VALVE REPAIR KIT (B/G LGH - 2V ONLY) (1/4" NPT CONNS)	19DA660006
	INCLUDES: ITEMS 234A - 234E	
234A	NI GASKET, CYLINDER SLEEVE	NSS
234B	NI GASKET, CYLINDER HEAD	NSS
234C	NI REED, VALVE (2)	NSS
234D	NI PLATE, VALVE	NSS
234E	NI "O" RING & SPRING	NSS
235	NI PUMP REPAIR PACKAGE (THOMAS 107CAB18-178 ONLY)	19DK660003
	INCLUDES: ITEMS 235A - 235C	
235A	NI DIAPHRAGM	NSS
235B	NI VALVE, FLAPPER (2)	NSS
235C	NI GASKET, VALVE PLATE	NSS
MICROPROCESSOR CONTROL PANEL GROUP		
243	32MP CONTROL PANEL 60 HZ (NO ESP)	19DF660012
243A	32MP CONTROL PANEL 50 HZ (NO ESP)	19DF660013
243B	32MP CONTROL PANEL 60 HZ (W/ ESP) (ESP = EXPANDED SERVICE PANEL)	19DF660014
243C	32MP CONTROL PANEL 50 HZ (W/ ESP)	19DF660015
NOTE: IF YOU DO NOT HAVE ESP AND WOULD LIKE TO ADD IT ORDER 32MP900941 FROM FINISHED GOODS. THIS PKG CONTAINS ALL PARTS FOR A MACHINE MOUNTED ESP INSTALLATION. FOR A DESK OR SURFACE MOUNT ESP ORDER 32MP900921. FOR FLUSH MOUNT ORDER 32MP900901. ITEM # 244 IS THE WIRING TO INSTALL SEPERATE PURCHASED ESP BOARD (32MP400424) THIS HARNESS IS INCLUDED IN THE 32MP900941 PACKAGE LISTED PREVIOUSLY.		
	ITEMS 243 INCLUDE: ITEMS 245 - 281	
244	NI WIRING PACKAGE (TO INSTALL ESP ON BASIC PANEL)	32MP400272
245	PROCESSOR BOARD ASSEMBLY (PCB1)	32MP400974
NOTE: A TERMINAL HOUSING & PIN PACKAGE (32MP660015) CONTAINS ITEMS 247 - 249 AND 253 - 256. (ONLY 1 # 247A)		
247	HOUSING (3 POSITION) (1J5)	NSS
247A	HOUSING (10 POSITION) (2J1, 2J2)	(2) NSS
248	HOUSING (14 POSITION) (1J2)	NSS
249	HOUSING (6 POSITION) (1J4)	NSS
250	NI PLUG, KEYING (9)	HY07MQ004
251	NI PIN, TERMINAL	NSS



HERMETIC CENTRIFUGAL CHILLER WITH / WITHOUT MICRO-PROCESSOR

19 DK

ITEM	PART DESCRIPTION	REPLACEMENT PART NUMBER
MICROPROCESSOR CONTROL PANEL GROUP (CONT'D)		
252	INPUT/OUTPUT BOARD ASSY (PCB2)	HK35EZ002
253	HOUSING (4 POSITION) (2J6)	NSS
254	HOUSING (16 POSITION) (1J1)	NSS
255	HOUSING (12 POSITION) (2J5)	NSS
256	HOUSING (13 POSITION) (2J4)	NSS
257	BASIC SET POINT & DISPLAY BOARD (PCB3)	HK35EZ003
258	GAUGE,PRESSURE (COOLER & CONDENSER) 30 " - 0 - 30	(2) KM03AF303
NOTE: GAUGES (ITEM #258 & 288) HAVE A CENTER BACK CONNECTION .THIS IS THE ONLY GAUGE AVAILABLE FROM CARRIER.THE PREVIOUS GAUGE WITH CONNECTION 1.06 " BELOW CENTER IS <u>NLA</u> .YOU MUST FIELD MODIFY TUBING TO FIT THE AVAILABLE GAUGE. THERE IS NO TUBING KIT AVAILABLE		
259	GAUGE & SWITCH, OIL DIFF. PRESSURE	KM05BW222
260	LIGHT, POWER (AMBER)	HY19UC019
261	LOCK, CAM (W/ KEY)	KA19NL010
262	LIGHT, ALARM (RED)	HY19UC014
263	BLOCK, FUSE (7 POSITION)	HY11UM007
264	FUSE (F15, 16, 17) (0.1 AMP)	(3) MGB 1/8
265	FUSE (F18, 19) (.75 AMP)	(2) MDL 3/4
266	FUSE (F20, 21) (3.0 AMP)	(2) MDL2 1/2
267	BLOCK, FUSE (1 POSITION)	S-8202-01
268	FUSE (F 14) (1.0 AMP)	MDL1
269	SWITCH, HIGH CONDENSER CUTOUT	HK01CA015
270	TRANSFORMER, POWER	HT01BE115
271	INDICATOR, ELAPSED TIME (60 HZ)	HK28DG115
271A NI	INDICATOR, ELAPSED TIME (50 HZ)	HK28DG116
272	BLOCK, TERMINAL (4 POS) (USED FOR CCN ONLY)	HY84EF002
273	CABLE ASSEMBLY, RIBBON	HY20HS005
274	ASSEMBLY, CAPACITOR (.22 MFD / 400 DC)	19EB516-222
275	BLOCK, TERMINAL (17 POSITION)	HY84EF018
276	BLOCK, TERMINAL (10 POSITION)	HY84EF010
277	BLOCK, TERMINAL (22 POSITION)	HY84EF022
EXPANDED SERVICE CONTROL PANEL (ESP)		
279	BOARD, MEMORY EXPANSION (PCB5)	32MP400954
280	PANEL, EXPANDED SERVICE (ESP II)	32MP400934
SENSOR MODULE CONTROL GROUP		
281	CONTROL PANEL ASSEMBLY (32SM)	19DH116-104
INCLUDES: ITEMS 282 - 293		
282	RELAY MODULE ASSEMBLY (PSN 25280)	32SM660004
NOTE: ITEM # 282 CONTAINS ITEMS # 283, 297 & WIRING ASSEMBLIES WITH INSTRUCTIONS HOW TO INSTALL.		
283	RELAY MODULE ASSEMBLY (SSN 25280)	32SM400694
INCLUDES: ITEMS 283A - 283D		
283A	RELAY (K1, K3, KM, KB)	(4) HN61KL615
283B	RELAY (K2) (RED PILOT LIGHT)	HN61KL616
283C	TIMER, PROGRAM	HK25ZD030
283D	HOLDER, FUSE	HTB-84I
283E	FUSE	AGC3
283F	LIGHT, INDICATOR	(2) 32SM400702
284	AMPLIFIER MODULE ASSEMBLY	32SM500704
285	SWITCH, LOW OIL PRESSURE	HK06CA401
286	SWITCH, VANE CLOSE OIL PRESSURE	HK06ZC025
287	SWITCH, HIGH CONDENSER CUT-OUT	HK01CA015
288	GAUGE, PRESSURE (COOL / CONDENSER) (30" - 0 - 30) SEE NOTE ITEM # 258	(2) KM03AF301
289	GAUGE, OIL PRESSURE DIFF. (0 - 50 PSID)	KM05BW220
290	SWITCH, PUSH BUTTON	(2) HR54ZA020
291	SWITCH, PUSH BUTTON	HR52ZD040
292	LIGHT, INDICATING	(4) HY19MM020
293	COUNTER, START	HK28ZZ115
294A NI	INDICATOR, ELAPSED TIME (60 HZ)	HK28DG115
294B NI	INDICATOR, ELAPSED TIME (50 HZ)	HK28DG116
295 NI	LOCK & KEY	KA19NL010



HERMETIC CENTRIFUGAL CHILLER WITH / WITHOUT MICRO-PROCESSOR

19 DK

ITEM	PART DESCRIPTION	REPLACEMENT PART NUMBER
SENSOR MODULE CONTROL GROUP (CONT'D)		
297	LEAD - LAG CONTROL ASSEMBLY (32SM) INCLUDES: ITEMS 298 - 304	32SM900001
298	SWITCH	(3) HR52ZD040
299	POTENTIOMETER	32SM500623
300	SWITCH	32SM500843
301	KNOB	KA21RB156
302	RELAY, TIME DELAY (K24)	HN67SK007
303	RELAY (K20 - 21)	(2) HN61KL616
304	RELAY (K22 - 23)	(2) HN61KL615
305	SAFETY INDICATOR PANEL (32SM)	32GA900001
306	SWITCH, PUSH BUTTON (WHITE)	(7) HR54ZA020
307	SWITCH, PUSH BUTTON (WHITE WAS RED)	HR54ZA040
308	RELAY, PILOT DUTY (K101 - 103, 105 - 111)	(10) HN61KL615
309	RELAY (K104) (REAR LEFT CORNER)	HN61KL616
MISCELLANEOUS GROUP		
316	NI PAINT (5 GAL / 18.9 L CAN) (HORIZON GREEN)	19P47-005
317	NI PAINT (16 OZ SPRAY) (HORIZON GREEN)	PH23GH017
318	NI INSULATION, SHEET (3/4" THK X 48 X 64)	QR0948 486434
319	NI TAPE, INSULATION (FOR ITEM # 318)	19DA660002
320	NI BRUSH, TUBE CLEANING (3/4" I.D.)	KC21AH105
321	NI OIL, COMPRESSOR (5 GAL / 18.9 L CAN) (68 VIS)	PP23BB006
322	NI COMPRESSOR TABLE	19DK - DM - T100
NOTE: THE FOLLOWING LISTED KITS WITH THE EXCEPTION OF ITEM #331 ARE USED ONLY ON MACHINES WITH 32SM CONTROLS.		
323	NI 32SM LOW TEMPERATURE PROBE NOTE: REPLACES STANDARD 32SM PROBE ON BRINE JOBS WHEN CONTROL BELOW 32 F / 0 C.	19DA21-114-1
324	NI RELAY MODULE PRINTED CIRCUIT BOARD. NOTE: USE WHEN EXISTING BOARD IS CRACKED OR DAMAGED. INCLUDES RELAY SOCKETS AND TERMINAL STRIPES.	32SM400004
328	NI ANTI - RECYCLE TIMER KIT NOTE: FOR USE ON JOBS WHERE 15 MIN DOWN (RECYCLE) TIME CANNOT BE TOLERATED. ALLOWS ONE RESTART WITHIN 2 MIN., BUT 20 MINUTES BEFORE NEXT.	19EA660001
TO BE USED "ONLY" WHEN REAL NEED EXISTS.		
329	NI TWO MINUTE PROGRAM TIMER NOTE: SPECIAL TIMER INCLUDED WITH ITEM #328. NOT TO BE USED SEPERATELY.	19EA41-003
330	NI STATOR INSULATION KIT NOTE: MATERIAL REQUIRED TO REINSULATE A STATOR SHELL.	19DA11-001
331	NI CLEAN UP KIT (BURNOUT / WET) NOTE: CONTAINS ALL NECESSARY PARTS & PIPING FOR CLEANUP AFTER MOTOR BURNOUT OR FOR CLEANING A WET MACHINE.	19CB660006
332	NI EXTERNAL OIL FILTER KIT NOTE: CONTAINS A DUPLEX FILTER SO THAT MACHINE CAN CONTINUE TO RUN WHILE CHANGING OIL FILTERS.	19DK660016
333	NI RUPTURE DISC / RELIEF VALVE CONVERSION KIT 2" (42 - 57) INCLUDES: ITEM 334	19DK660015
334	NI RUPTURE DISC 15 PSIG NOTE: CHECK MACHINE SERIAL NUMBER BEFORE ORDERING RUPTURE DISC / RELIEF VALVE PACKAGE FOR A 61 - 78 SHELL SIZE BEFORE 1985, WEEK 51, USE 19DK660011 (ITEM # 335). DURING OR AFTER 1985 WEEK 51 USE (2") 19DK660015. (ITEM # 333)	EB59LX014
335	NI RUPTURE DISC / RELIEF VALVE CONVERSION KIT 3" (61 - 78) (SEE NOTE) INCLUDES: ITEM 336	19DK660011
336	NI RUPTURE DISC 15 PSIG NOTE: ITEMS #333 & # 335 CONTAIN A REPLACMENT ASSEMBLY FOR A RUPTURE DISC.	EB59LX014
337	NI LOCTITE (RED) 8 OZ / 250 CC	19EA680002



ORDERING INSTRUCTIONS

1. All orders should include the complete model and serial number of the unit on which the parts are to be used, and the part number and description of each part.
2. Dealers should forward orders to their Carrier distributor.

GENERAL NOTES

1. This catalog contains those items most commonly required for replacement purposes. If parts other than those cataloged are required, please provide the model number and serial number of the unit on which the parts are to be used and a complete description including references to items which are cataloged.
2. Casing parts and panels are not normally stocked, but are available upon request while in production. Requests for casing parts and panels for units no longer in production must be cleared for availability prior to submitting an order.
3. Complete "Accessory Packages" of "F.I.O.P.'s" (Factory-Installed Option Plan) are not normally stocked or supplied by the Replacement Components Division. (Refer to Master Price Pages and order from your normal source for finished goods.)

Accessory packages and F.I.O.P.'s are listed in this catalog only for reference and to assist in the selection and ordering of replacement components.
4. The replacement parts listed in this catalog are RCD "Factory-Authorized Parts" and, as a result of "standardization," may not be identical to the original part furnished on the equipment.

CATALOG NOTES

1. The part number in the model column indicates the part number required for that model, size and/or voltage.
2. An arrow → in the model column indicates that the model, size, and/or voltage uses the same part number as the part number shown to the left.
3. An X in the model column indicates that the part is not used on that model, size and/or voltage.
4. A number in parenthesis before the part number indicates the quantity required for that model, size, and/or voltage. Part number only in the column indicates a quantity of one.
5. The notation "NI" following the item number indicates that the item is not illustrated in the catalog.



