



HERMETIC CENTRIFUGAL CHILLER

19 DG

HOW TO USE THIS CATALOG

THIS CATALOG PRESENTS THE MOST COMMONLY USED SPECIFIED PARTS FOR THE STANDARD 19DG CENTRIFUGAL REFRIGERATION MACHINE AND IS NOT APPLICABLE TO ANY SPECIAL ORDER MACHINES.

1. TO LOCATE PARTS YOU REQUIRE REFER TO THE UNIT ILLUSTRATIONS IN THE FIRST PART OF THIS CATALOG TO OBTAIN THE ITEM NUMBER THEN REFER TO THE PARTS LISTING FOR THE DESCRIPTION, QUANTITY AND UNIT SIZE PART IS USED ON.
2. OCCASIONALLY DUE TO THE LIMITATIONS OF ILLUSTRATIONS USED, A PART MAY NOT BE SHOWN ON AN ILLUSTRATION, THESE PARTS ARE IDENTIFIED BY "N" OR "NI" IN THE COLUMN NEXT TO THE ITEM NUMBER. IDENTIFY A SERIAL NUMBER CHANGE BY "PSN" FOR PRIOR SERIAL NUMBER OR "SSN" FOR START SERIAL NUMBER.
3. IF YOU HAVE A MACHINE THAT USES HCFC - 123 AS THE REFRIGERANT DO NOT USE THIS PARTS CATALOG. TO SELECT SERVICE PARTS CONTACT YOUR CARRIER REPRESENTATIVE FOR THE PART NUMBERS FOR YOUR APPLICATION.
4. THE FOLLOWING PARTS ARE NOT LISTED IN THIS CATALOG.

IMPELLER

COMPRESSOR MOTOR (ROTOR & STATOR)

EVAPORATOR TUBES

CONDENSER TUBES

IF ANY OF THESE PARTS ARE REQUIRED, CONTACT YOUR CARRIER REPRESENTATIVE WITH THE MODEL AND SERIAL NUMBER OF YOUR MACHINE

5. POSITIVE IDENTIFICATION OF YOUR UNIT SIZE TO PROPERLY SELECT PARTS MAY BE DONE BY REFERRING TO THE NAME PLATES THAT ARE ON THE MACHINE. SEE PAGE 2 FOR NAME PLATE POSSIBILITIES.

HCFC - 11 REFRIGERANT CHARGE

OIL CHARGE

TUBE QUANTITIES

UNISHELL SIZE	LBS	(KG)	COMPR SIZE	GALS	(L)	UNISHELL SIZE	EVAPORATOR	CONDENSER
41 11	450	(204.1)	11	8	30.3	41 11	76	80
43 13	450	(204.1)				43 13	84	90
45 15	475	(215.5)	21	17	64.4	45 15	98	102
47 17	500	(226.8)				47 17	110	116
50 20	575	(260.8)	31	21	79.5	50 20	110	114
51 21	575	(260.8)				51 21	120	124
53 23	600	(272.2)				53 23	136	142
55 25	625	(283.5)				55 25	148	156
57 27	625	(283.5)				57 27	170	178
61 31	775	(351.5)				61 31	190	200
63 33	810	(367.4)				63 33	212	222
65 35	850	(385.6)				65 35	242	254
66 36	975	(442.3)				66 36	256	266
67 37	985	(446.8)				67 37	270	286
69 39	1010	(458.1)				69 39	296	310

Catalog No.: 19.023 (07-93)

Supersedes: 551-920 (03-82)

Note: See "Catalog Notes" on last page for explanation of symbolism.

Page : 1

Litho in U.S.A.



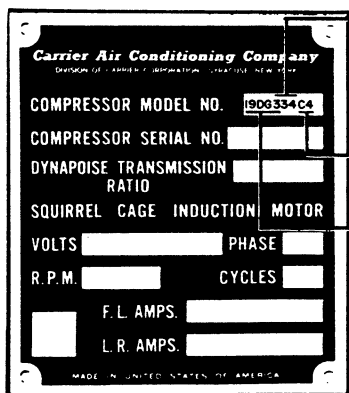
HERMETIC CENTRIFUGAL CHILLER

19 DG

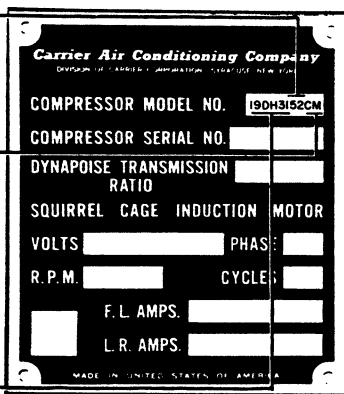
NOTE: DUE TO REDESIGN OF THESE UNITS, CHECK THE MACHINE MODEL NAMEPLATE BEFORE USING THIS CATALOG.

IF THE MACHINE MODEL NAMEPLATE HAS A SEVEN DIGIT NUMBER, THE MACHINE HAS A 19DG COMPRESSOR.

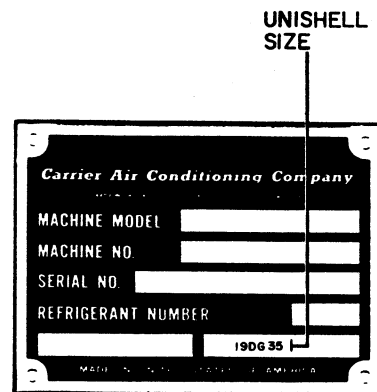
IF THE MACHINE MODEL NAMEPLATE HAS A TEN DIGIT NUMBER, THE MACHINE HAS A 19DH COMPRESSOR.



19DG MACHINE WITH 19DG COMPRESSOR



19DG MACHINE WITH 19DH COMPRESSOR

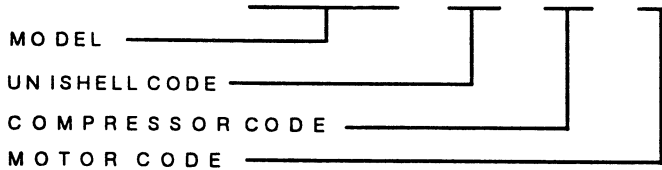


MACHINE MODEL NAMEPLATE

MACHINE MODEL NAMEPLATE

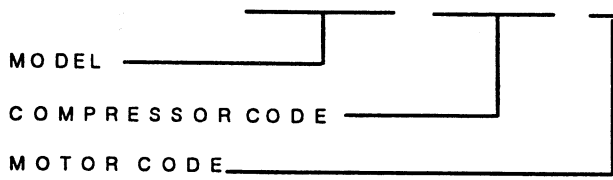
19DG MACHINE WITH 19DH COMPRESSOR

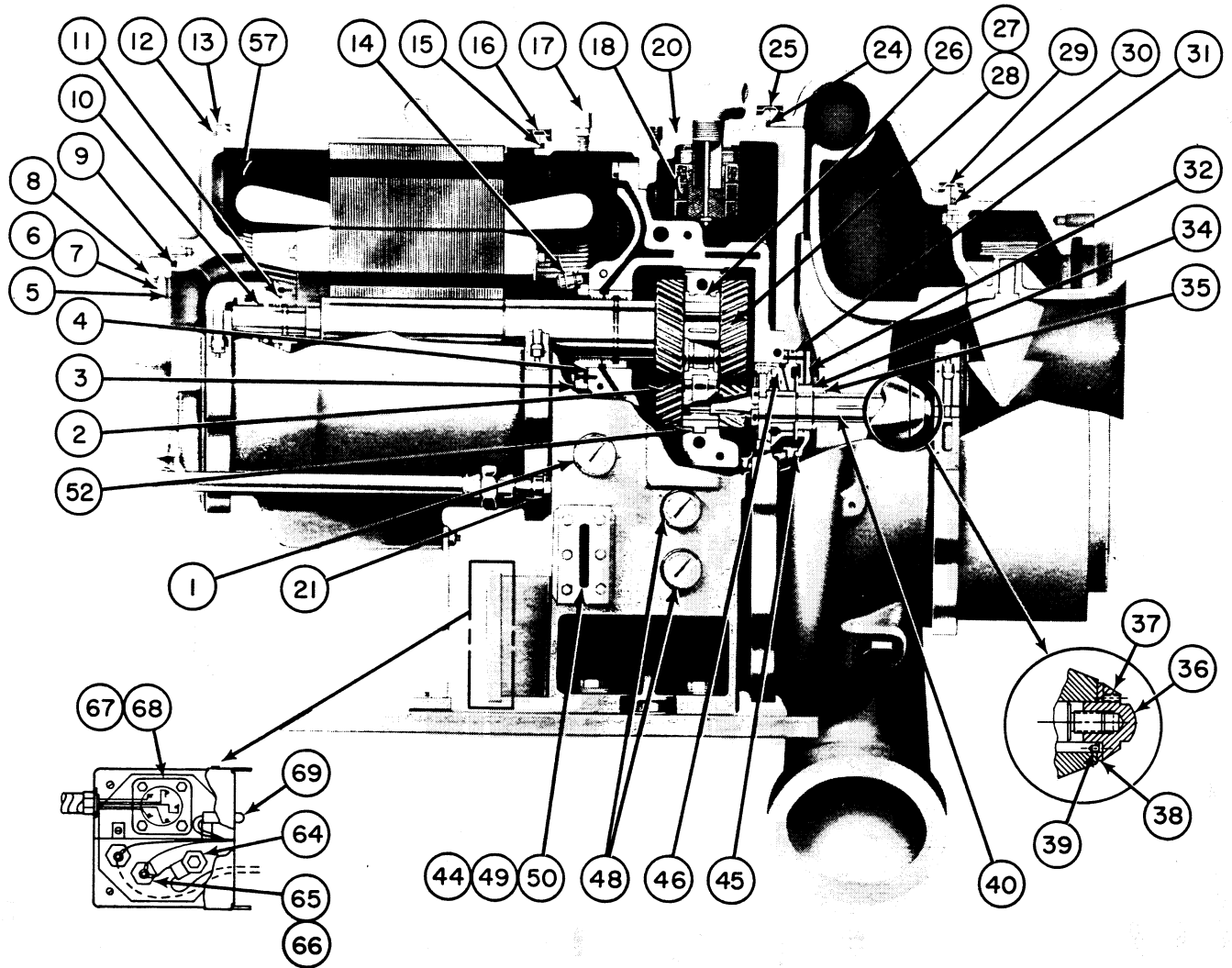
POSITION	1	2	3	4	5	6	7	8	9	10
CODENO.	1	9	D	G						



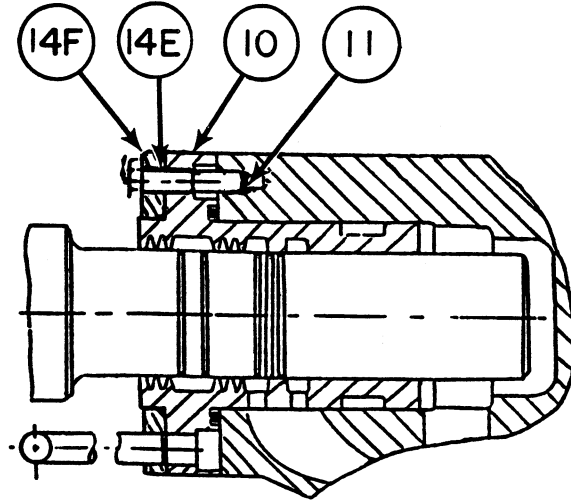
19DG MACHINE WITH 19DG COMPRESSOR

POSITION	1	2	3	4	5	6	7	8	9
CODENO	1	9	D	G					

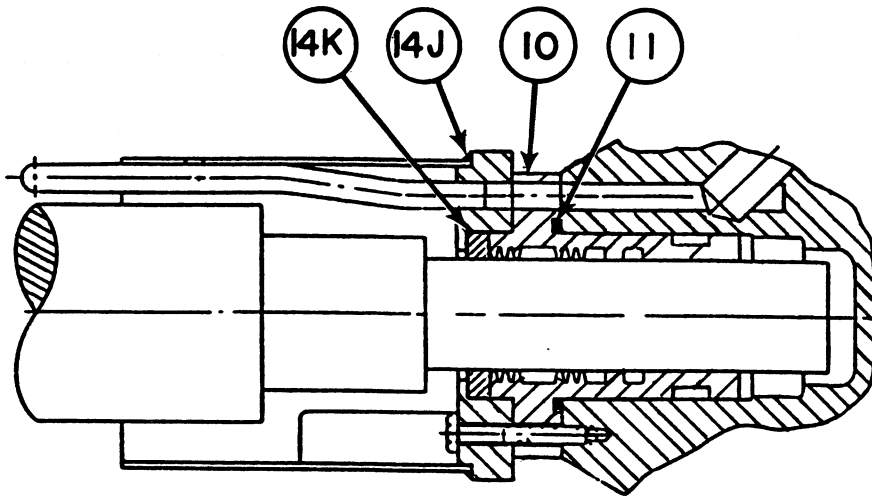




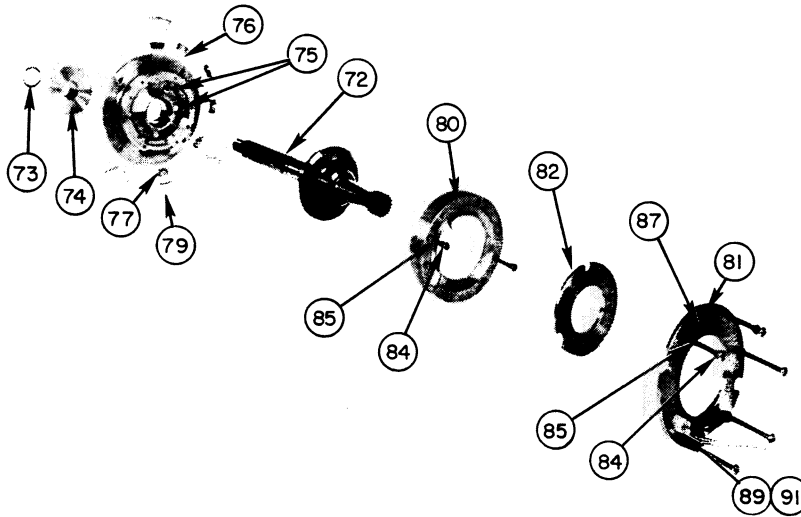
COMPRESSOR ASSEMBLY



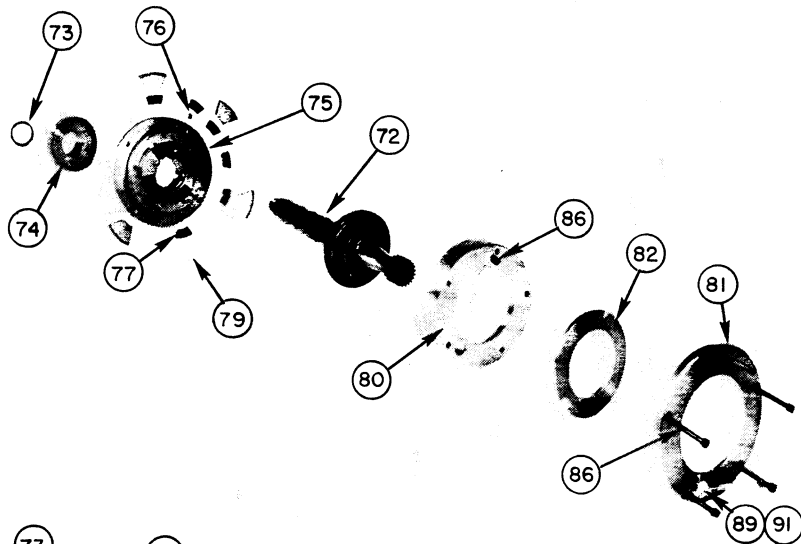
LOW VOLTAGE



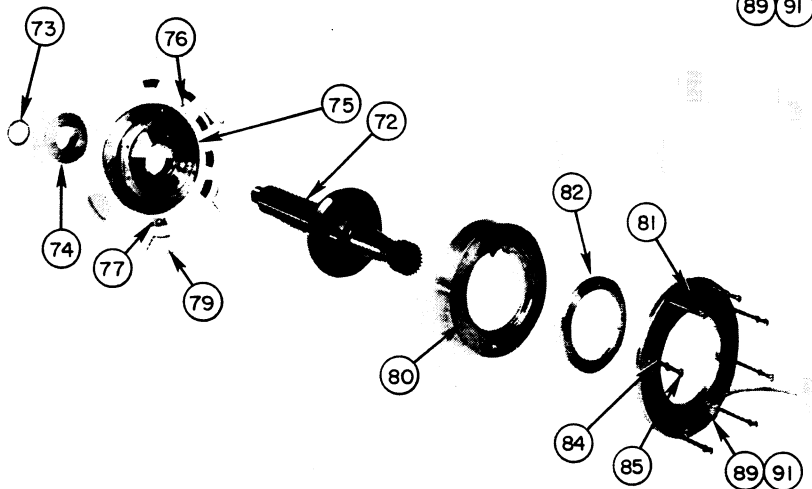
HIGH VOLTAGE



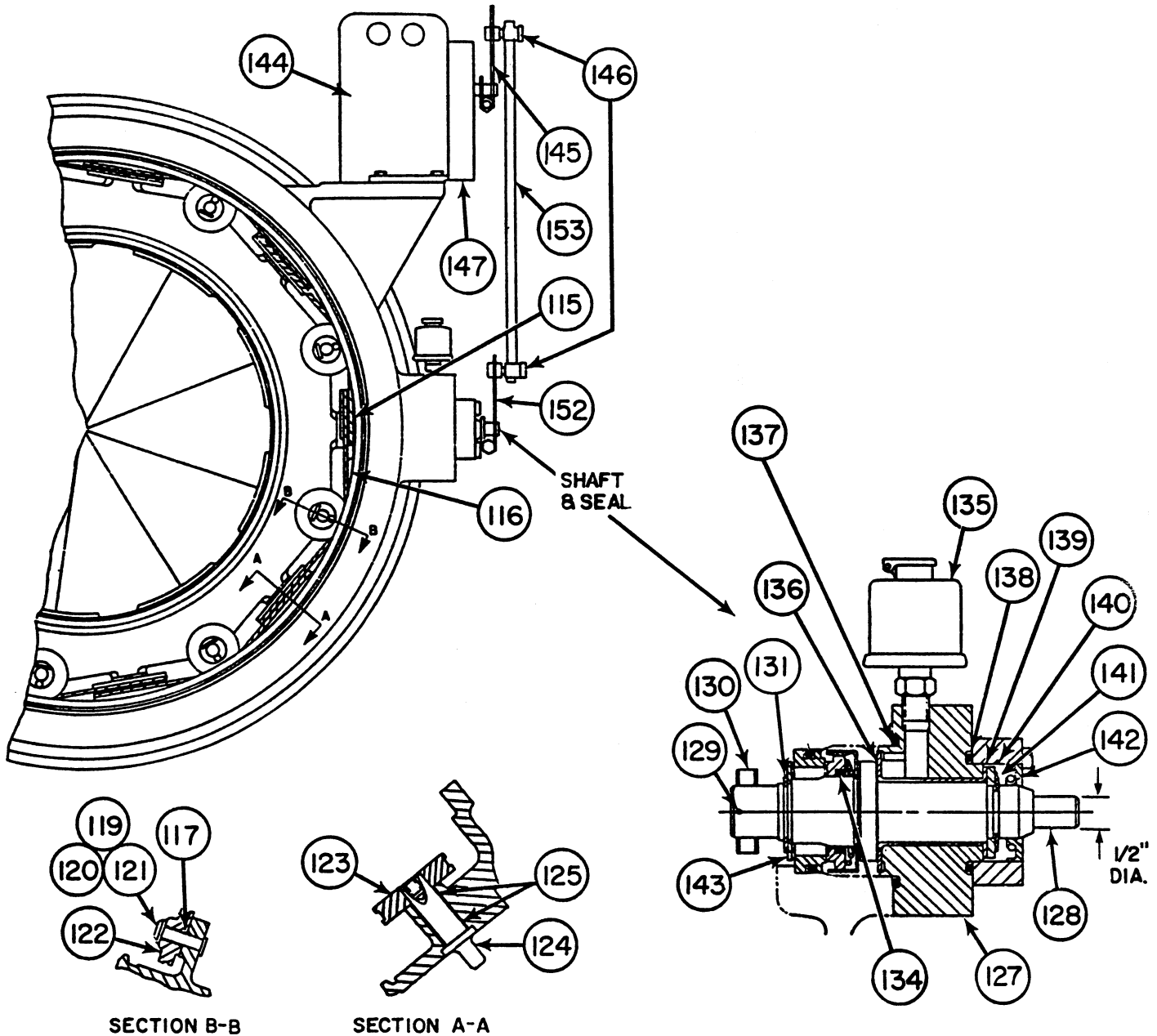
**#71-19DG & DH11
THRUST BEARING AND SHAFT**



**#71-19DG & DH21
THRUST BEARING AND SHAFT**



**#71-19DG & DH31
THRUST BEARING AND SHAFT**



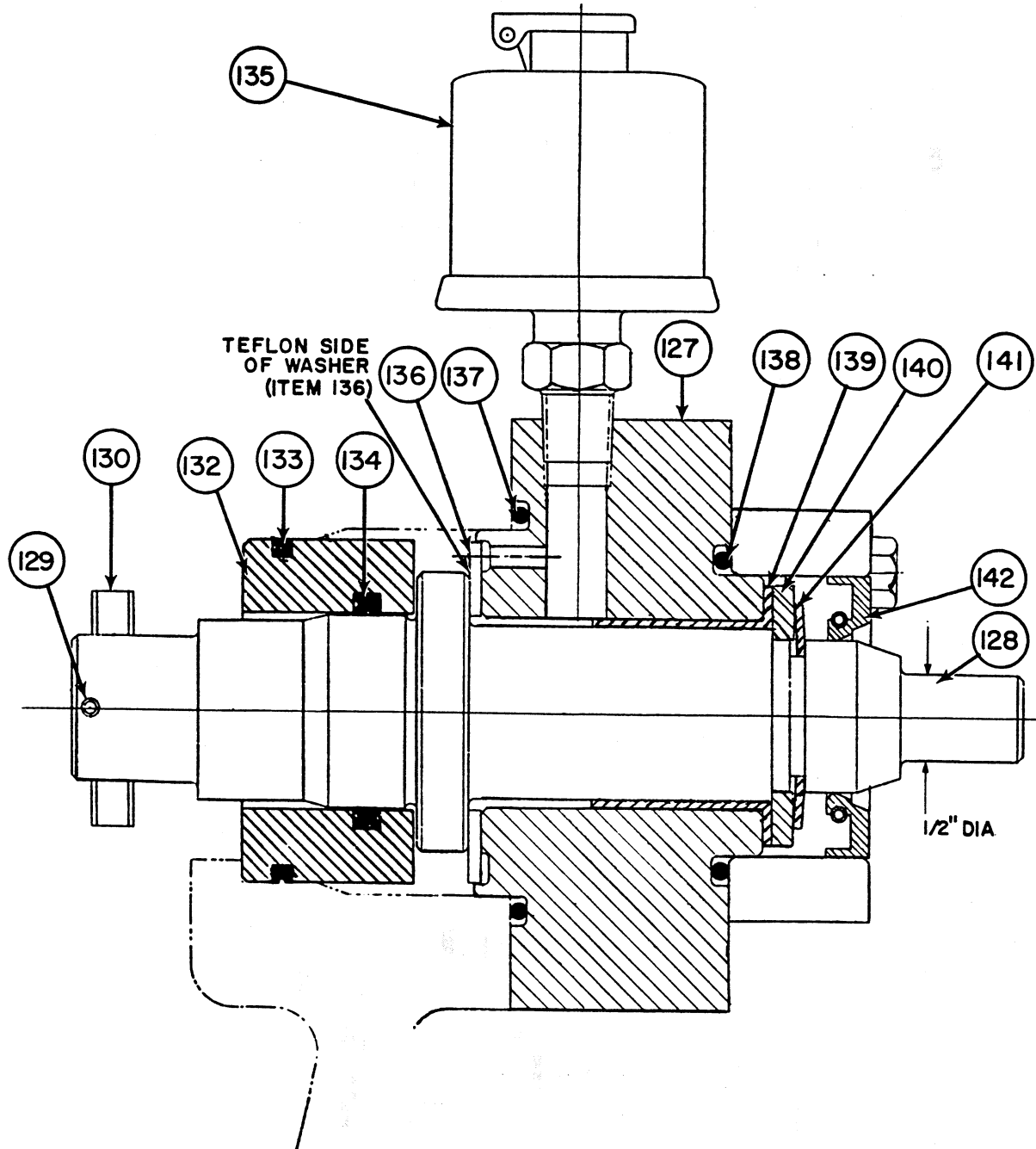
SECTION B-B

SECTION A-A

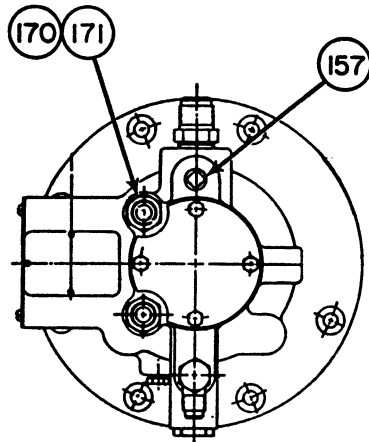
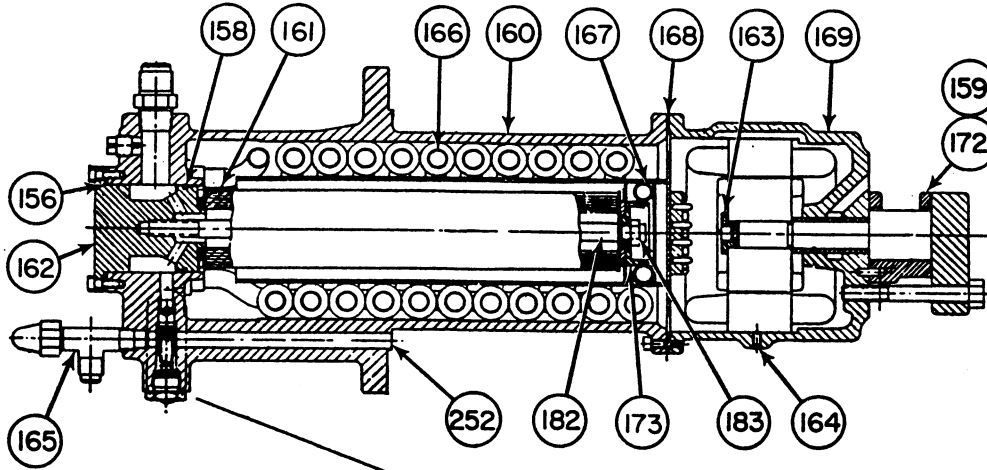
#126-SHAFT AND SEAL
OLDER TYPE

#114-GUIDE VANE AND BLADE RING

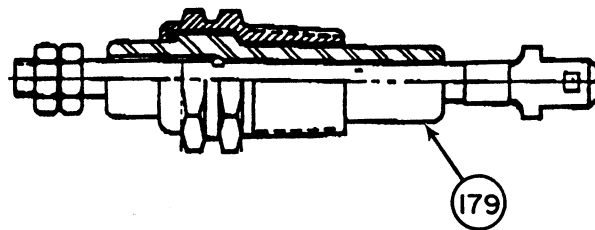
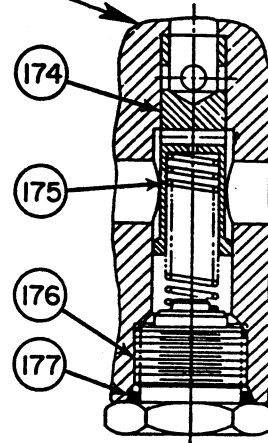
ITEMS 131 AND 143 USED ON MACHINES WITH S/N 17500 AND LOWER.
ITEMS 131 AND 143 ARE NOT REQUIRED WITH NEW SEAL, ITEM 132.



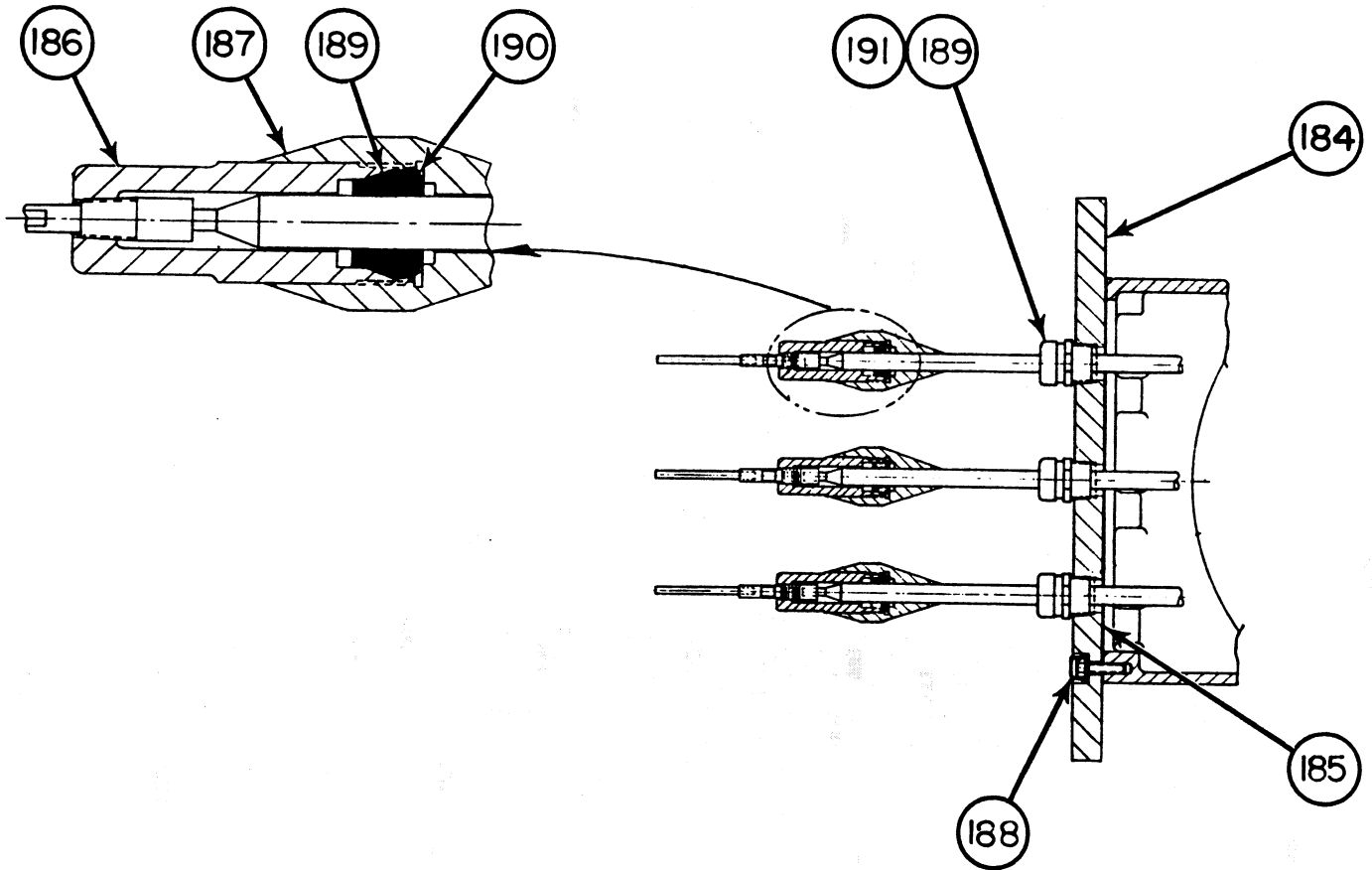
#126-SHAFT AND SEAL ASSEMBLY



#155-OIL PUMP ASSEMBLY



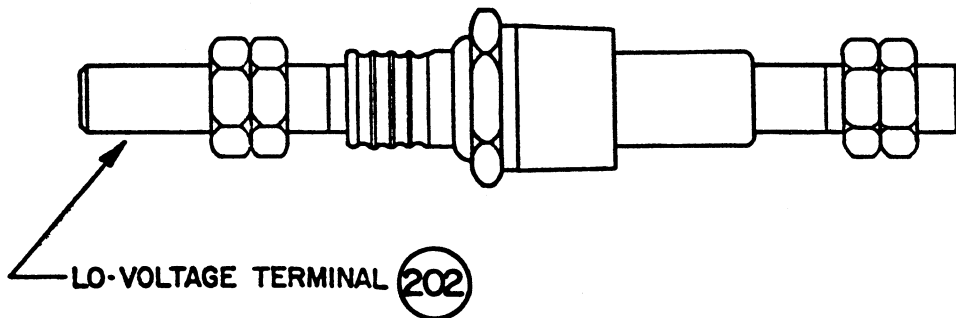
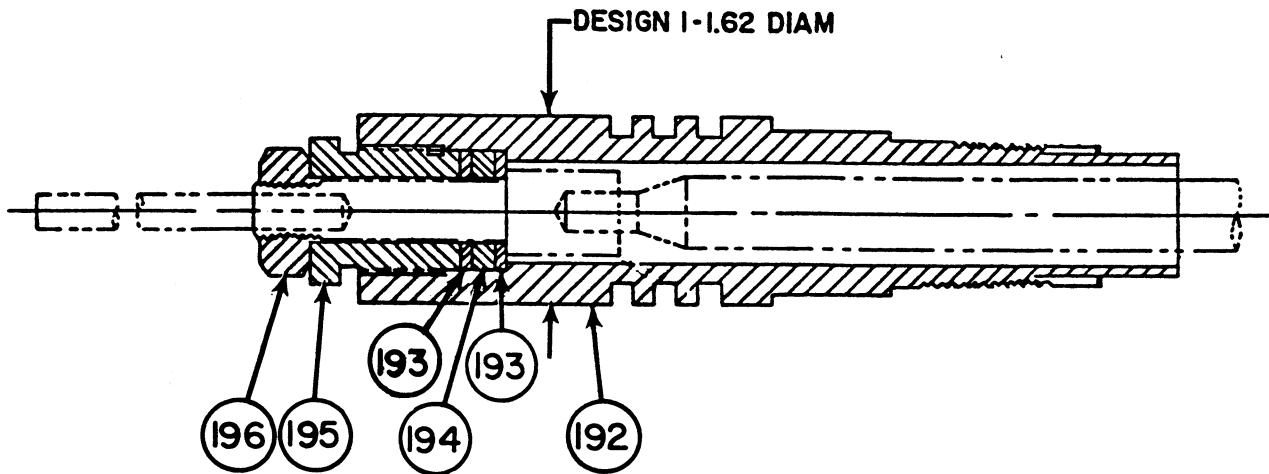
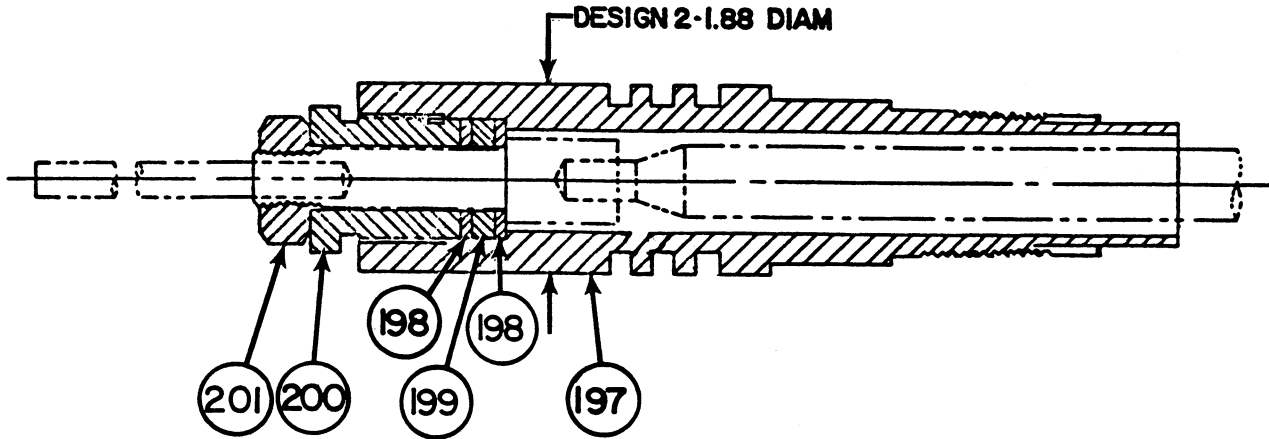
LUBRICATION PACKAGE

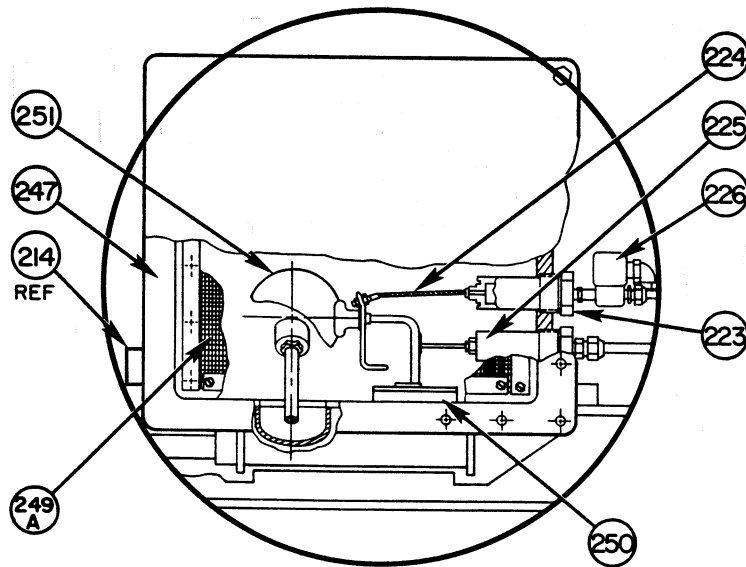
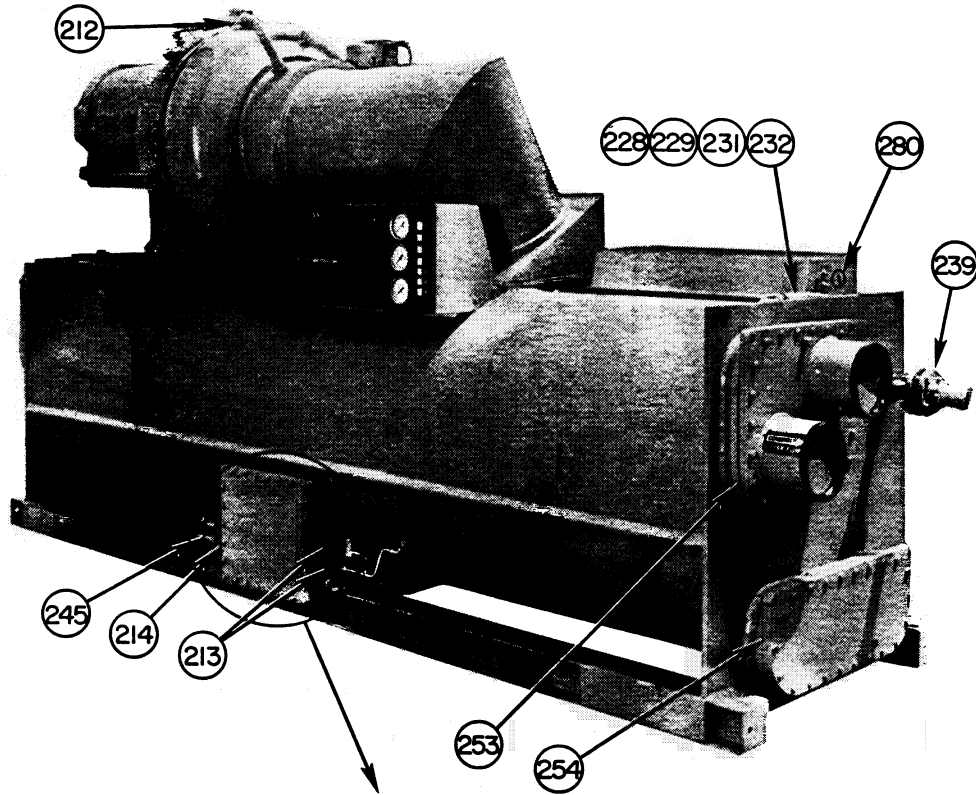


DESIGN #1
GROUP G - 19DG MOTOR TERMINAL ARRANGEMENT
HC-1 - HC-9 MOTORS 2300 AND 4160 VOLTS
NOTE: USED ON MACHINES WITH COMPRESSOR PSN 26109

19DG MOTOR TERMINAL ARRANGEMENT HC1-HC9 MOTORS 2300 & 4160 VOLTS

NOTE: Used on machines with Compressor Serial Number 26109 and higher.



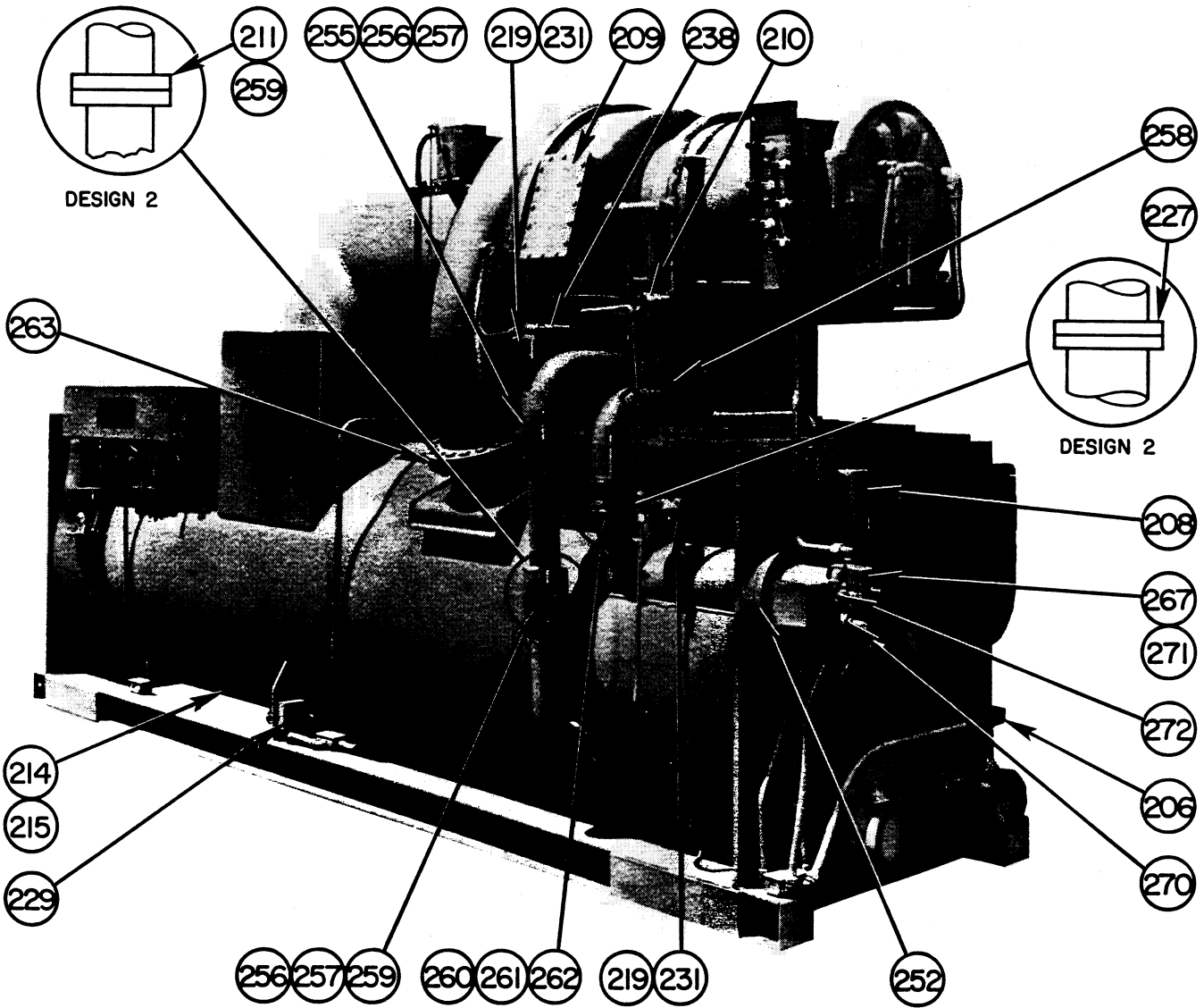


UNISHELL AND INTERCONNECTING PIPING

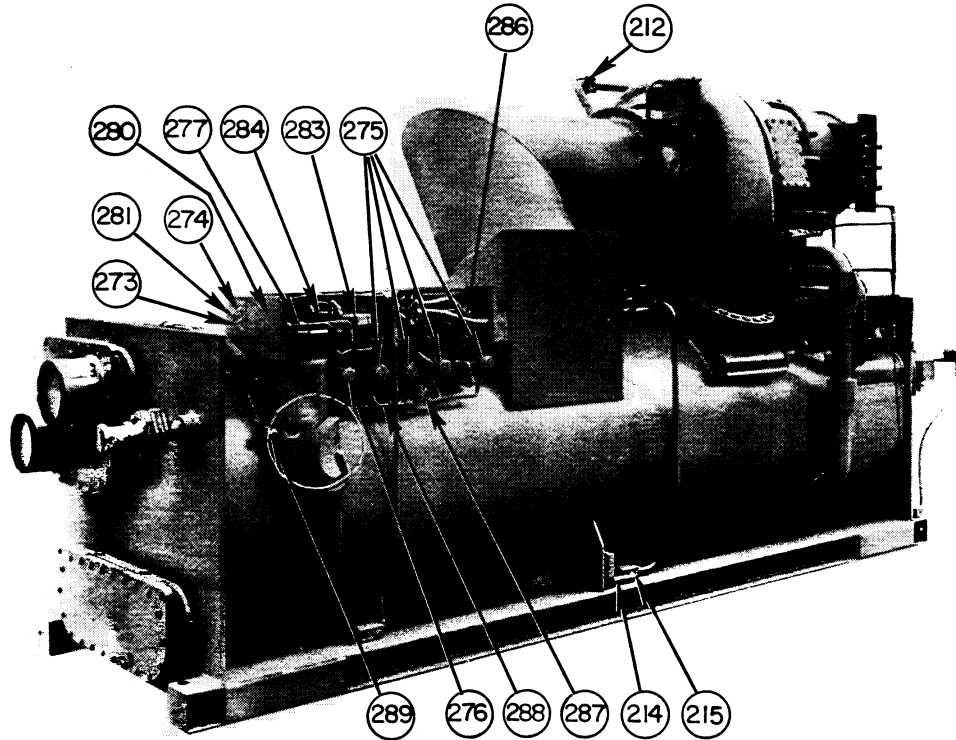
Catalog No.: 19 . 023 (07 - 93)

Supersedes: 551 - 920 (03 - 82)

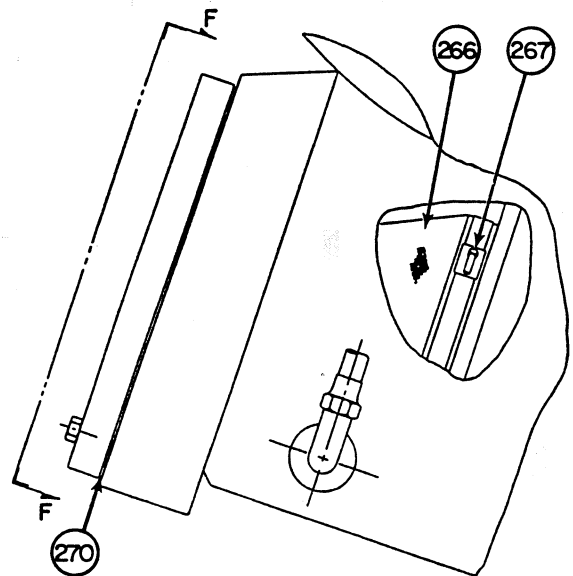
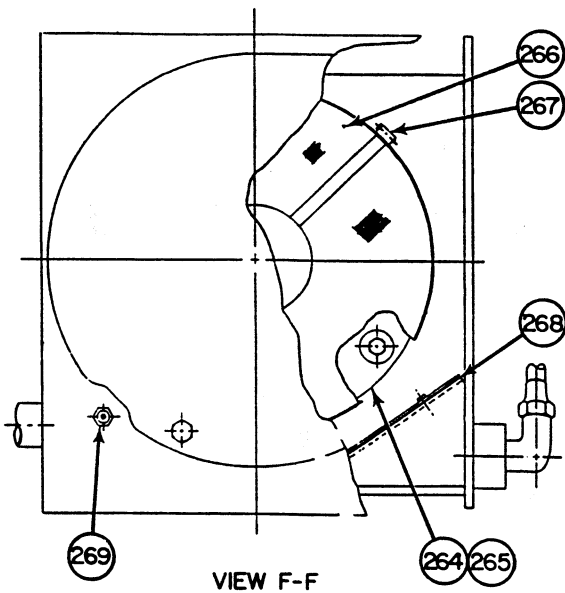
Note: See "Catalog Notes " on last page for explanation of symbolism.



UNISHELL AND INTERCONNECTING PIPING



EARLY PURGE CONTROLS

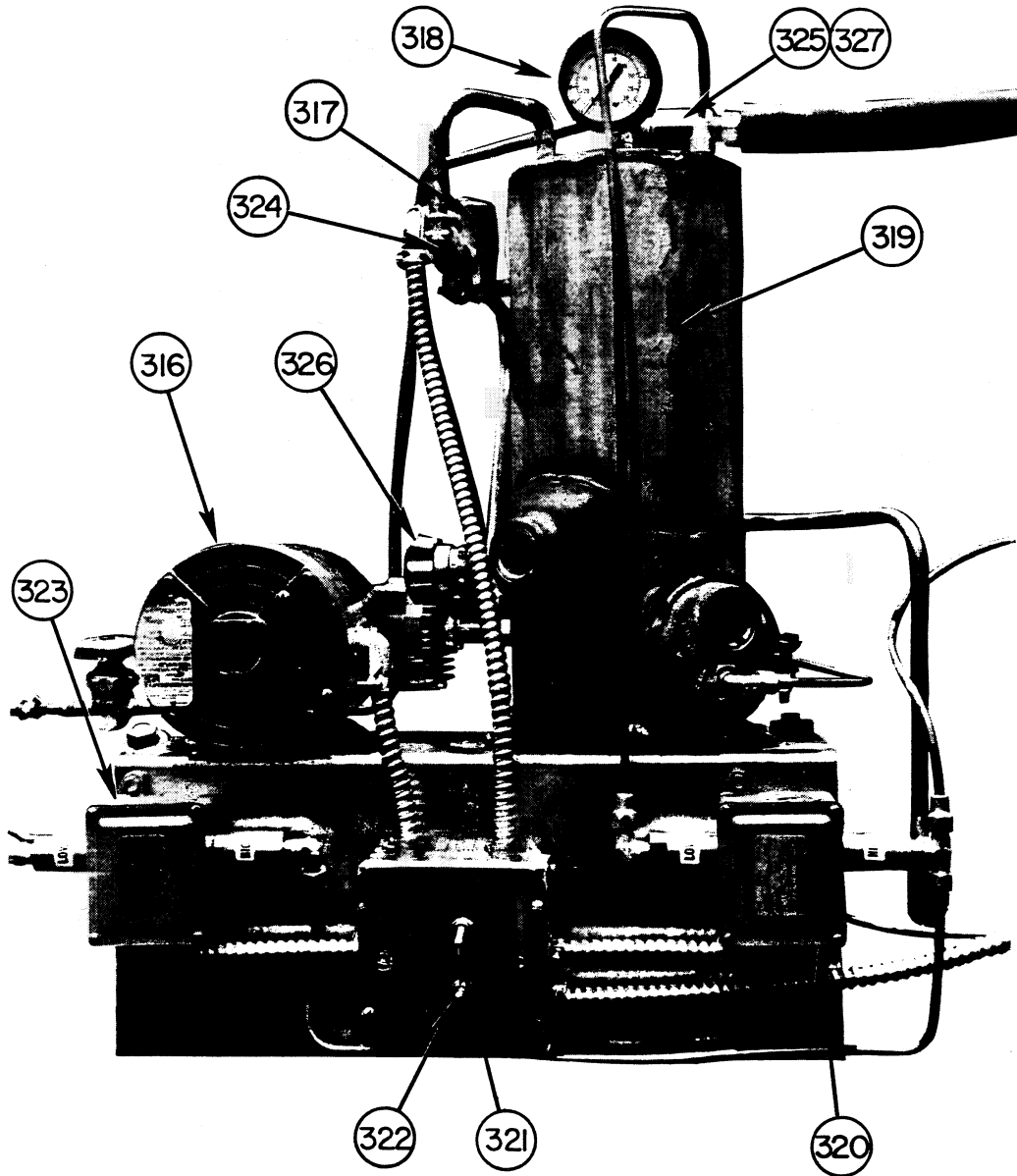


LATER MODELS SUMP ASSY

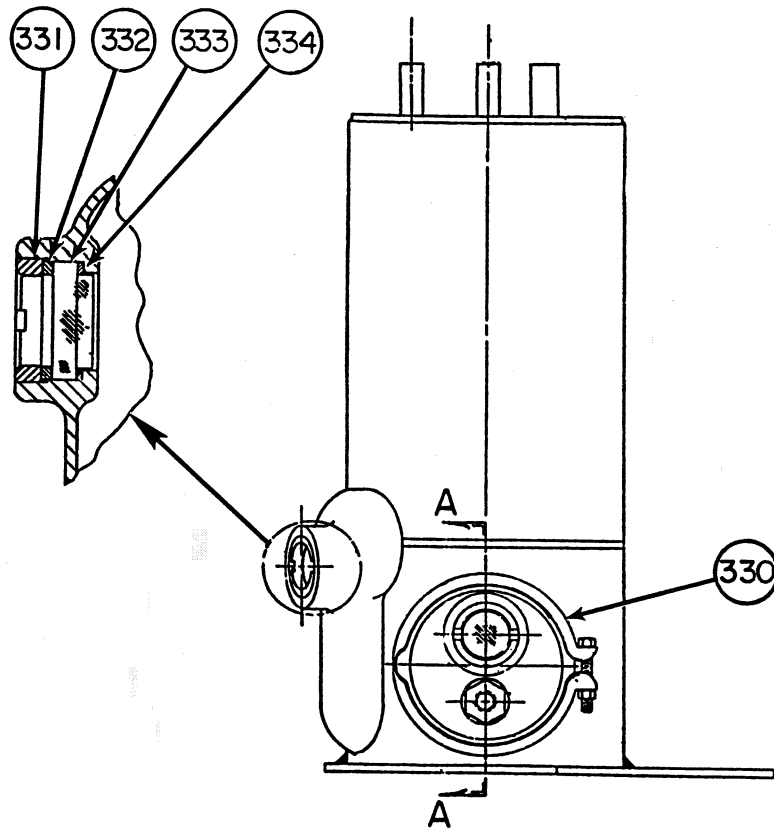
Catalog No.: 19.023 (07-93)

Supersedes: 551-920 (03-82)

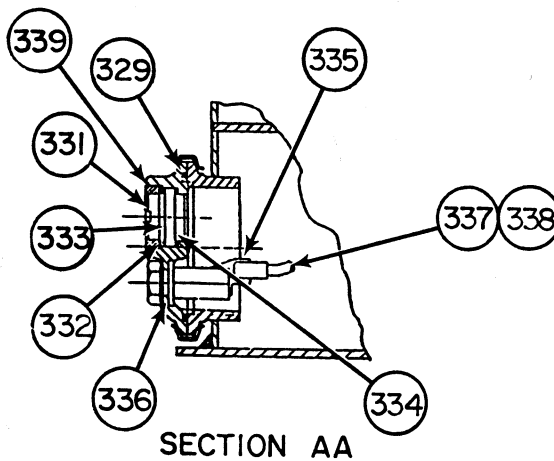
Note: See "Catalog Notes" on last page for explanation of symbolism.

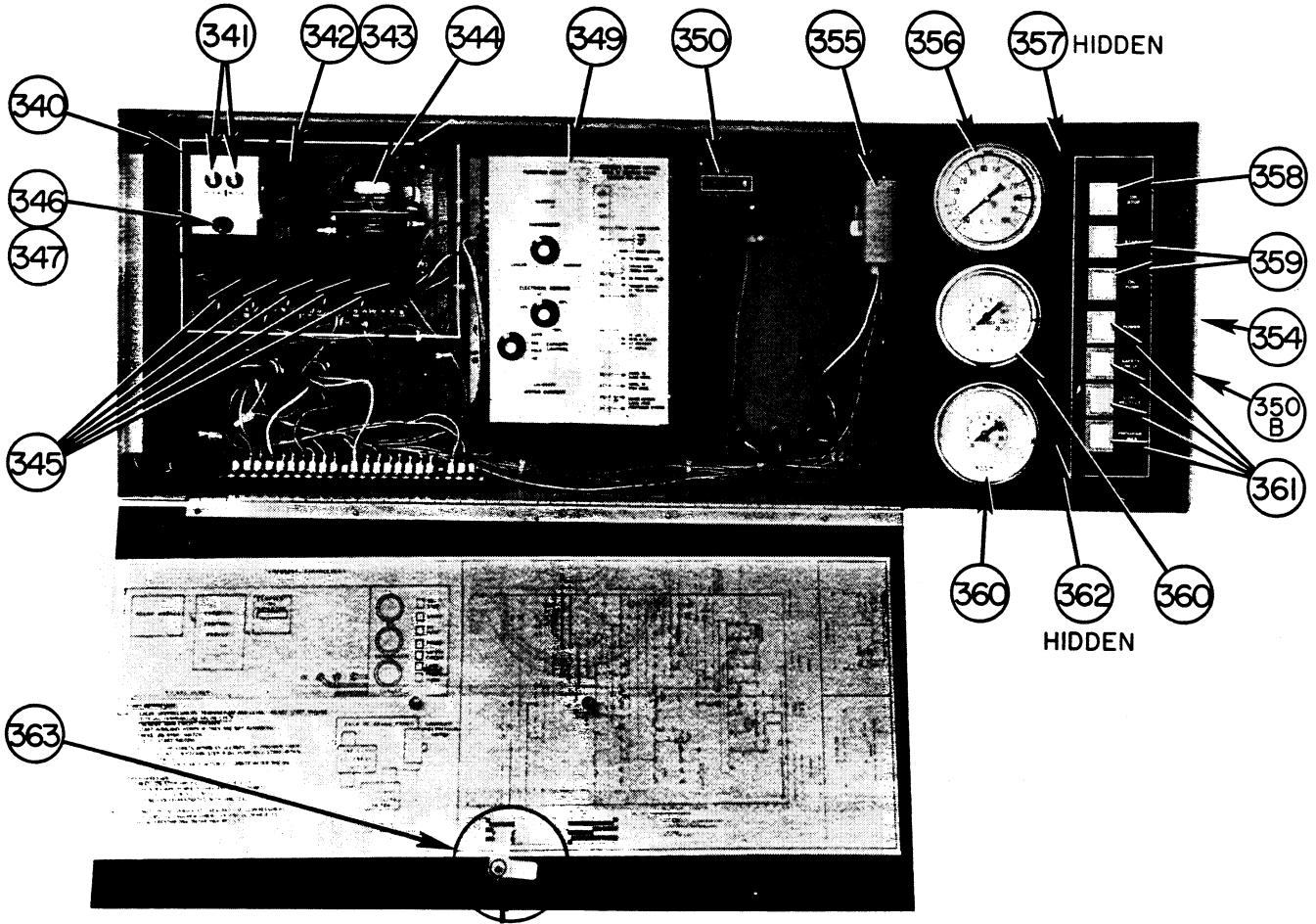


#315-PURGE ASSEMBLY

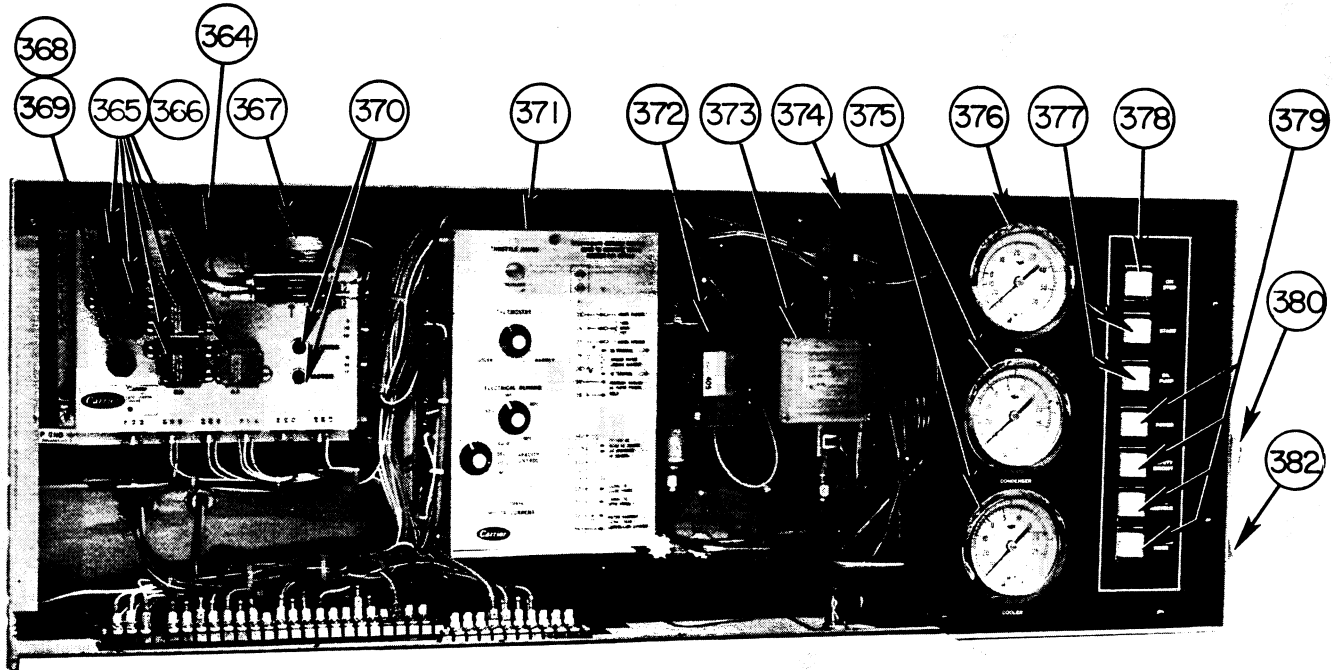


#328-19DK PURGE CONDENSER (DESIGN #2)

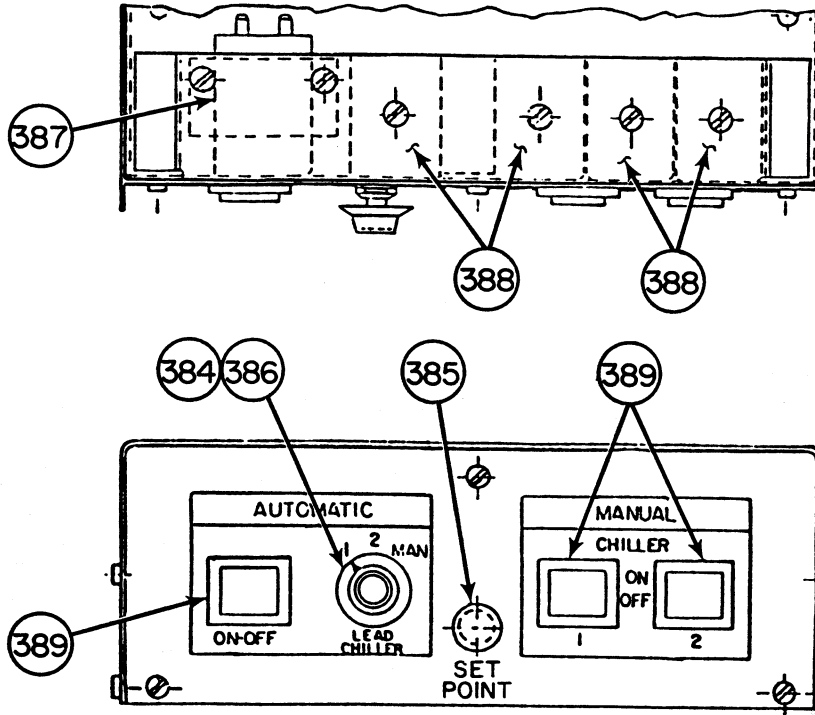




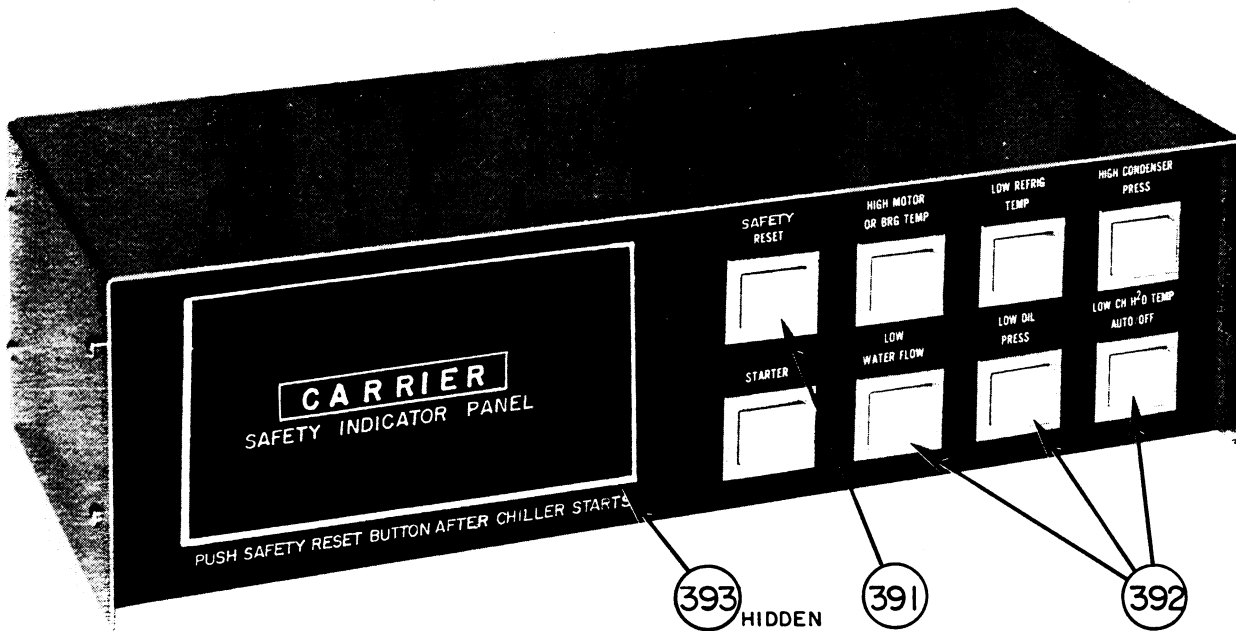
DESIGN I CONTROL PANEL



DESIGN II CONTROL PANEL



#383-LEAD-LAG CONTROL ASSEMBLY



#390-SAFETY PANEL



HERMETIC CENTRIFUGAL CHILLER

19 DG

ITEM	PART DESCRIPTION	19DG 11	19DG 21	19DG 31
		COMPR SIZE	COMPR SIZE	COMPR SIZE
COMPRESSOR GROUP				
1	PRESSURE GAUGE	KM03BC262	->	->
2	PINION GEAR PACKAGE (60 HZ)	19D17-841	19D21-841	19D31-841
2A NI	PINION GEAR PACKAGE (50 HZ)	19DA11-181	19DA21-181	19DA31-181
3	LABYRINTH ASSY (ALL 11 MTRS) PSN 15554	19D11-644	X	X
3A NI	LABYRINTH ASSY (21 A6 MTRS) PSN 15554	X	19D23-164	X
3B NI	LABY ASSY (21 C1 - C4 MTRS) PSN 15554	X	19D21-164	X
3C NI	LABY ASSY (31 C4 - C9 MTRS) PSN 15554	X	X	19D31-164
3D NI	LABYRINTH ASSY (31 HC1- HC4) PSN 15554	X	X	19DA21-334
3E NI	LABY ASSY (ALL 11 MTRS) SSN 15554	19DG11-164	X	X
3F NI	LABY ASSY (ALL 21 MTRS) SSN 15554	X	19DM660007	X
3G NI	LABY ASSY (31 C4 - C9 MTRS) SSN 15554	X	X	19DM660008
3H NI	LABY ASSY (31 HC4 - HC9 MTRS) SSN 15554	X	X	19DM660009
NOTE: THE SSN LABYRINTH ASSEMBLIES INCLUDE "O" RING (ITEM # 4), EXCEPT ON THE 11 SIZE.				
4	"O" RING PSN 15554	KK71GZ042	KK71GZ045	KK71GZ050
4A NI	"O" RING (31 HC4 - HC9 MTRS) PSN 15554	X	KK71PR046	KK71PR047
4B NI	"O" RING SSN 15554	X	X	KK71PR047
5	GASKET, INNER SIGHT GLASS	(2) 19DK119-1012	(2) ->	(2) ->
6	SIGHT GLASS	(2) 19C35-6151	(2) ->	(2) ->
7	GASKET, OUTER SIGHT GLASS	(2) 5F20-1631	(2) ->	(2) ->
8	GLAND	(2) TS 380	(2) ->	(2) ->
9	"O" RING	KK71GZ058	->	->
10	MOTOR BEARING, REAR (PSN 15554)	19D21-1364	->	->
10A NI	MOTOR BEARING, REAR (SSN 15554)	19DH11-1104	->	->
11	"O" RING	KK71PR025	->	KK71PRO25
12	"O" RING (11 ALL MTRS)	KK71GX155	X	X
12A NI	"O" RING (21 A6 MTRS)	X	KK71GX155	X
12B NI	"O" RING (21 C1 - C4 MTRS)	X	KK71GX193	X
12C	"O" RING (31 ALL MTRS)	X	X	KK71GX193
13	COUPLING "V" BAND (11 ALL MTRS)	CT28MM165	X	X
13A NI	COUPLING "V" BAND (21 A6 MTRS)	X	CT28MM165	X
13B NI	COUPLING "V" BAND (21 C1 - C4 MTRS)	X	CT28MM204	X
13C NI	COUPLING "V" BAND (31 ALL MTRS)	X	X	CT28MM204
14	MALE SPRAY NOZZLE (11 ALL MTRS) *	(4) LH11SB082	X	X
14A NI	MALE SPRAY NOZZLE (21 A6 MTRS) *	X	(4) LH11SB082	X
14B NI	MALE SPRAY NOZZLE (21 C1 - C4 MTRS) *	X	(4) LH11SB094	X
14C NI	MALE SPRAY NOZZLE (21 HC1 - HC4 MTRS) *	X	(6) LH11SB082	X
14D NI	MALE SPRAY NOZZLE (31 C4 - C9 MTRS) *	X	X	(4) LH11SB094
14E NI	MALE SPRAY NOZZLE (31 HC4 - HC9 MTRS) *	X	X	(6) LH11SB082
NOTE: * ITEMS # 14 - 14E (SPRAY NOZZLES) USED PSN 15554 ONLY.				
14F NI	FLNG & NOZZLE ASSY (ALL 11; 21 A6 MTRS) #	19DH11-112	->	X
14G NI	FLNG & NOZZLE ASSY (21 C2- C6; 31 C4- C7) #	X	19DH21- 112	->
14H NI	FLNG & NOZZLE ASSY (21 C8-C10; 31 C8-C10) #	X	19DG212-112	->
14J	SPRAY HEADER (21, HC1- HC6; 31 HC4-HC10) #	X	19DH15-143	->
NOTE: # ITEMS 14F-14J USED SSN 15554.				
14K	FELT RING (HI - VOLT MTRS ONLY) SSN 15554	X	19DH21-1092	->
15	"O" RING	KK71GX165	KK71GX193	->
16	COUPLING "V" BAND	CT28MM181	CT28MM204	->
17	SPRAY NOZZLE (PSN 15554)	LH11SB081	->	->
18	DEMISTOR ASSEMBLY	19DK112-103	->	->
20	GASKET, DEMISTOR (PSN 18500) (19DH)	19D11-1912	->	->
20A	GASKET, DEMISTOR (SSN 18500) (19DH)	19DK119-1053	->	->
21	GASKET, FLANGE (OIL RETURN ON DH COMPR)	DK36GA001	->	->
24	"O" RING	KK71ER240	KK71ER293	KK71ER371
25	COUPLING "V" BAND	CT28MM255	CT28MM313	CT28MM388
26	BEARING ASSEMBLY	19D21-244	->	19D31-244
27	LOCKWASHER	AU46AA601	->	AU46AA721
28	LOCKNUT (SHAFT END)	KT89ZZ390	->	KT89ZZ420
29	COUPLING "V" BAND	CT28MM215	CT28MM241	CT28MM278
30	"O" RING	KK71GX195	KK71GX225	KK71GX263
31	"O" RING	KK71PR045	KK71PR050	KK71PR055

Catalog No.: 19. 023 (07 - 93)

Page : 19

Supersedes: 551 - 920 (03 - 82)

Note: See "Catalog Notes " on last page for explanation of symbolism.

Litho in U.S.A.



HERMETIC CENTRIFUGAL CHILLER

19 DG

ITEM	PART DESCRIPTION	19DG 11	19DG 21	19DG 31
		COMPR SIZE	COMPR SIZE	COMPR SIZE
COMPRESSOR GROUP (CONT'D)				
32	LABYRINTH ASSEMBLY	19DH11-102	19DH21-102	X
32A NI	LABYRINTH	X	X	* 19D31-182
32B NI	LABYRINTH	X	X	** 19DH31-102
NOTE: * USED WITH ORIG DESIGN THRUST BRG & SHAFT ASSY 19DA33-151. ** USED WITH NEW DESIGN THRUST BRG & SHAFT ASSY 19DH33-161.				
34	IMPELLER SPACER	19D11-1301	19D21-1301	19D31-1301
35	IMPELLER SHIM	19D11-1551	19D21-1551	19D31-1551
36	SHAFT CAP (DG COMPR) (LONG SHAFT)	19D11-2282	19D21-2282	19D31-2282
NOTE: THE 19DG IMPELLER SHAFT LENGTH WAS CHG'D TO A SHORTER VERSION. THE OLDER LONGER SHAFTS ARE NLA .TO BE SURE YOU SELECT THE PROPER CAP.THE UNIT SHAFT SHOULD BE MEASURED,THE OLDER LONG SHAFTS WERE,11.21" IN 11 COMPR; 13.00" IN 21 COMPR & 16.12" IN 31 COMPR. THE NEWER SHORT SHAFTS ARE 9.81" IN 11 COMPR; 11.14" IN 21 COMPR & 13.94" IN 31 COMPR. THE SHORT SHAFTS ARE LISTED AS ITEM #72 & REQ'S ITEM #92 CAP. THE OLDER LONG SHAFTS REQ ITEM #36 CAP. THE SHORT SHAFT ALSO TAKE KEY (ITEM # 93) THAT IS SHORTER .USE ITEM # 36A IF YOU HAVE A DH 11 OR 31 COMPRESSOR SSN 25691.				
36A NI	SHAFT CAP (DH COMPR)	19DH11-1002	19D21-2282	19DH31-1002
37	SET SCREW	(2) AE54FR164	(2) ->	(2) AE54FR167
38	LOCK WASHER	19D11-2181	19D21-2181	19D31-2181
39	LOCKING PIN	(3) 19D11-2191	(3) 19D31-2191	(3) ->
40	IMPELLER KEY (LONG SHAFT) (NOTE ABOVE)	(3) 19D11-1241	(3) 19D21-1241	(3) 19D31-1241
44	COVER, SIGHT GLASS	17DA81-1822	->	->
45	STATIC SEAL	(4) KK73GV025	(4) ->	(6) ->
46	"O" RING	KK71PR004	->	KK71PR005
48	TEMPERATURE GAUGE	(2) KM14BC222P	(2) ->	(2) ->
49	SIGHT GLASS	KM39BT031	->	->
50	GASKET, SIGHT GLASS	(2) KM39BT041	(2) ->	(2) ->
52	BEARING ASSEMBLY (60 HZ)	19D11-234	19D21-234	19D31-234
52A NI	BEARING ASSEMBLY (50 HZ)	19D11-664	19D21-464	19D31-464
57	MOTOR T'STAT (MOTOR WINDINGS)	HH12HA105	->	->
59	WIRE ASSEMBLY PACKAGE	19DA660008	->	->
INCLUDES: ITEMS 60 - 63				
60 NI	WIRE ASSEMBLY	NSS	->	->
61 NI	SNAP RING	AU49AR201	->	->
62 NI	RETAINER	19DK212-1052	->	->
63 NI	GROMMET	19DK119-1102	->	->
64	THERMOSTAT, OIL HEATER	HH16NA019	->	->
65	OIL HEATER (1000 W)	HT32ZZ122	->	->
66	GASKET, OIL HEATER	(2) 19DK119-1082	(2) ->	(2) ->
67	TERMINAL, THERMOSTAT	HY85FP041	->	->
68	"O" RING (TERMINAL)	KK71GX020	->	->
69	PILOT LIGHT, HEATER (AMBER) (PSN 24020)	HY19AD026	->	->
69A NI	PILOT LIGHT, HEATER (WHITE) (SSN 24020)	HY19AD024	->	->
THRUST BEARING & SHAFT ASSEMBLY				
71	THRUST BEARING & SHAFT ASSEMBLY	19DH13-161	19DH23-161	***19DH33-161
INCLUDES: ITEMS 72 - 93				
72	SHAFT (SHORT, USES ITEM # 92) (NOTE IT#36)	19DH11-1003	19DH21-1003	19DH31-1004
73	RING, RETAINING, EXTERNAL	AU49AR106	AU49AR143	AU49AR181
74	SLINGER	19D11-1292	19D21-1292	19D31-1292
75	BEARING & PIN PACKAGE	*19DA11-171	*19DA21-171	*19DA31-171
76	ADJUSTING PAD PACKAGE	19D23-841	->	->
77	LEVELING PAD	(12) 19D11-0103	(12) 19D21-0052	(12) 19D32-0052
79	THRUST SHOE PKG. (SET OF 6 SHOES)	19DA13-203	19DA23-203	19DA33-203
80	SPACER RING	*19DA13-1014	*19DA23-1014	*19DA33-1014
81	RETAINING RING	*19DA13-1012	*19DA23-1013	*19DA33-1012
82	SEAL RING	*19DA13-1272	*19DA23-1272	X
83	SEAL RING & PIN	X	X	*19DA33-472
84	LOCKWASHER	(8) AU11AR101	(8) ->	(8) ->
85	PAN HEAD SCREW	(8) NLA	(8) ->	(8) ->
86	SOCKETHEAD CAPSCREW	X	(5) AA44AA109	X
87	SOCKETHEAD CAPSCREW	NLA	->	X



HERMETIC CENTRIFUGAL CHILLER

19 DG

ITEM	PART DESCRIPTION	19DG 11		19DG 21		19DG 31	
		COMPR SIZE		COMPR SIZE		COMPR SIZE	
THRUST BEARING & SHAFT ASSEMBLY (CONT'D)							
88	NI THERMOSTAT WIRE ASSEMBLY		19DA11-112	->		->	
	INCLUDES: ITEMS 89						
89	THERMOSTAT		19DA11-1402	->		->	
91	T'STAT MOUNTING SCREW	(2)	AC15AA036	(2)	->	(2)	->
92	NI SHAFT CAP (SHORT SHAFT) (SEE IT #72)		19D11-2282-1		19D21-2282-1		19D31-2282-1
93	NI KEY (FOR SHORT SHAFTS)	(3)	19DH11-1012	(3)	19DH212-1032	(3)	19DH312-1032
NOTE: * DUE TO REDSIGN IF YOU HAVE TO REPLACE ANY PART MARKED (*) YOU MUST ORDER ALL PARTS MARKED (*) PLUS (1) SET OF THRUST SHOES.THIS PERTAINS ONLY TO COMPR'S WHICH ARE PSN 23161.*** WHEN THE 19DH33-161 THRUST BRG & SHAFT ASSY IS USED FOR THE 1ST TIME, IT IS ALSO NECESSARY TO USE THE 19DH31- 102 LABY (ITEM # 32B).THE ORIGINAL DESIGN LABY IS NOT COMPATIBLE WITH THE 19DH33 - 161 THRUST ASSEMBLY .							
GUIDE VANE & BLADE RING							
114	BLADE RING ASSEMBLY		19DA11-143		19DA21-143		19DA31-143
	INCLUDES: ITEMS 115 - 1250J						
115	DRIVE PULLEY		19D21-2063		->		->
116	CABLE ASSEMBLY		19D11-192		19D21-192		19D31-192
117	BUSHING (IDLER PULLEY)	(9)	KT53XL055	(9)	->	(9)	->
118	NI PIN PACKAGE		19DA21-001		->		->
	INCLUDES: ITEMS 119 - 121						
119	PIN	(9)	NSS	(9)	->	(9)	->
120	WASHER	(18)	NSS	(18)	->	(18)	->
121	COTTER PIN	(18)	AX01AA046	(18)	->	(18)	->
122	IDLER PULLEY	(9)	19D21-1252	(9)	->	(9)	->
123	BLADE PULLEY	(8)	19D21-1242	(8)	->	(8)	->
124	PRE WHIRL BLADE	(9)	19D11-1044	(9)	19D21-1044	(9)	19D31-1044
125	BUSHING (PRE WHIRL BLADE)	(18)	KT53XL093	(18)	->	(18)	->
126	SHAFT & SEAL ASSEMBLY		19D21-113		->		->
	INCLUDES: ITEMS 127 - 143						
127	BEARING HOUSING		19D21-1073		->		->
128	SHAFT		19D21-1063		->		->
129	ROLLPIN		AX14CA042		->		->
130	KEY		19D21-1391		->		->
131	RETAINING RING (PSN 17501)(OLDER TYPE)		AU46AR093		->		->
132	MECHANICAL SEAL (LATEST STYLE)		19C35-014		->		->
	INCLUDES: ITEMS 133 - 134						
133	QUAD RING		KK74ZW181		->		->
134	QUAD RING		KK74ZW112		->		->
135	OILER		CW51EG603		->		->
136	INNER THRUST WASHER		KT59WL160		->		->
137	"O" RING		KK71PR020		->		->
138	"O" RING		KK71GZ018		->		->
139	FLANGED NYLINER		KT58BZ082		->		->
140	OUTTER THRUST WASHER		19DM212-1282		->		->
141	BOWED RETAINER RING		AU45AR187		->		->
142	OIL SEAL		KT90UL087		->		->
143	WASHER (OLDER TYPE SEAL)		19D21-1381		->		->
144	ACTUATOR MOTOR (115 - 1 - 50 / 60)		HF268B061		->		->
145	CRANK ARM (UPPER) (CAST)		19D21-2152		->		->
146	LINKAGE CONNECTOR	(2)	HF91BB125	(2)	->	(2)	->
147	POTENTIOMETER (B/C) (INCL. IN IT#144)		HT24AV120		->		->
152	CRANK ARM (LOWER) (CAST)		19D23-2152		->		->
153	PUSH ROD		19DG112-1002		->		->
LUBRICATION PACKAGE							
155	OIL PUMP ASSEMBLY (200 - 240V - 3 - 60 HZ)		19DK111-444		->		->
155A	NI OIL PUMP ASSEMBLY (380 - 600V - 3 - 60 HZ)		19DK311-444		->		->
155C	NI OIL PUMP ASSEMBLY (310 - 440V - 3 - 50 HZ)		19DK311-454		->		->
	INCLUDES: ITEMS 156 - 183						
156	"O" RING		KK71PR035		->		->
157	MAGNETIC PLUG		CA99RA101		->		->
158	"O" RING		KK71PR030		->		->

Catalog No.: 19 . 023 (07 - 93)

Page : 21

Supersedes: 551 - 920 (03 - 82)

Note: See "Catalog Notes" on last page for explanation of symbolism.

Litho in U.S.A.



HERMETIC CENTRIFUGAL CHILLER

19 DG

ITEM	PART DESCRIPTION	19DG 11		19DG 21		19DG 31	
			COMPR SIZE		COMPR SIZE		COMPR SIZE
LUBRICATION PACKAGE (CONT'D)							
159	OIL PUMP HOUSING (60 HZ)		19D21-1323		->		->
159A NI	OIL PUMP HOUSING (50 HZ)		19D21-1353		->		->
160	COOLER FILTER BODY		19DG131-1104		->		->
161 NI	FILTER		KH09AZ002		->		KH09AZ002
162	FILTER PLUG		19D31-2134		->		->
163	CLAMPING RING		19D21-1011		->		->
164	SET SCREW (SPOT DRILL STATOR)	(2)	AE17AR166	(2)	->	(2)	->
165	ANGLE VALVE (3/8 MPT X 1/2 FL)		EP23LA155		->		->
166	COOLING COIL		19D31-723		->		->
167	SPRING		19D21-1071		->		->
168	GASKET		19DK119-1023		->		->
169	PUMP & MOTOR PKG (208 - 440 V; 60 HZ)		19D32-841		->		->
169A NI	(550 V; 60 HZ)		19D37-841		->		->
169B NI	(220 - 415 V; 50 HZ)		19D36-841		->		->
170	GASKET	(2)	19DK119-1032	(2)	->	(2)	->
171	WASHER	(2)	19D21-1061	(2)	->	(2)	->
172	VANE, PUMP (60 HZ)	(4)	19D31-1021	(4)	->	(4)	->
172A NI	VANE, PUMP (50 HZ)	(4)	17CA61-1181	(4)	->	(4)	->
173	RING (FILTER)		19D31-2382		->		->
174	VALVE PISTON		19D21-1002		->		->
175	SPRING		19D31-1591		->		->
176	SPRING RETAINER		19D31-1012		->		->
177	"O" RING		KK71PR010		->		->
178 NI	TERMINAL ARRANGEMENT		19DA660003		->		->
	INCLUDES: ITEMS 179 - 181						
179	TERMINAL	(3)	HY85FP060	(3)	->	(3)	->
180	BUSHING	(3)	CA53AA052	(3)	->	(3)	->
181 NI	STAKE - ON	(3)	HY 61AM 084	(3)	->	(3)	->
182	CLAMPING ROD		19D31-2372		->		->
183	LOCKNUT 5/ 16 - 18		AT55BA201		->		->
MOTOR TERMINAL ARRANGEMENT GROUP							
NOTE: ITEMS 184 - 191 ARE USED ON MACHINES WITH COMPRESSORS PSN 26109 WITH HC - 1 - HC - 9 HI VOLTAGE .							
184	TERMINAL PLATE		19DA23-1113		->		->
185	GASKET, TERMINAL PLATE		19DA13-1242		->		->
186	INSULATOR	(3)	19C85-3862	(3)	->	(3)	->
187	INSULATOR CAP	(3)	19C85-3852	(3)	->	(3)	->
188	HEX HEAD CAP SCREW	(10)	NSS	(10)	->	(10)	->
189	BUSHING	(6)	HW90JA012	(6)	->	(6)	->
190	RING, RETAINING	(3)	HW90JA059	(3)	->	(3)	->
191	CONNECTOR	(3)	HW67JA062	(3)	->	(3)	->
NOTE: ITEMS 192 - 196 ARE USED ON HI VOLTAGE COMPRESSORS SSN 26109 WITH HC 1 - HC 9 MOTORS 2300 & 4160 VOLTS WITH A TERMINAL INSULATOR DIAMETER OF 1.62 .							
192	INSULATOR, TERMINAL	(3)	19EA41-1433	(3)	->	(3)	->
193	RETAINER, TERMINAL	(6)	19EA51-1832	(6)	->	(6)	->
194	PACKING RING	(3)	19EA51-1942	(3)	->	(3)	->
195	PACKING NUT	(3)	19C65-4122	(3)	->	(3)	->
196	JAM NUT	(3)	AT14QA311	(3)	->	(3)	->
NOTE: ITEMS 197 - 201 ARE USED ON HI VOLTAGE COMPRESSORS SSN 26109 WITH HC 1 - HC 9 MOTORS 2300 & 4160 VOLTS WITH A TERMINAL INSULATOR DIAMETER OF 1.88 .							
197	INSULATOR, TERMINAL	(3)	19FA502-1504	(3)	->	(3)	->
198	RETAINER, TERMINAL	(6)	19FA502-1242	(6)	->	(6)	->
199	PACKING RING	(3)	19FA502-1232	(3)	->	(3)	->
200	PACKING NUT	(3)	19FA502-1222	(3)	->	(3)	->
201	JAM NUT	(3)	AT14QA311	(3)	->	(3)	->
202	LO - VOLTAGE TERMINAL	(6)	19DA11-1502	(6)	->	(6)	->
204	ADAPTER (.611 DIA. CABLE)	(3)	19EA41-004	(3)	->	(3)	->
205	ADAPTER (.789 DIA. CABLE)	(3)	19FA41-005	(3)	->	(3)	->

Catalog No.: 19 . 023 (07 - 93)

Page : 22

Supersedes: 551 - 920 (03 - 82)

Note: See "Catalog Notes " on last page for explanation of symbolism.

Litho in U.S.A.



HERMETIC CENTRIFUGAL CHILLER

19 DG

ITEM	PART DESCRIPTION	REPLACEMENT PART NUMBER
UNISHELL & INTERCONNECTING PIPING		
206	TEMP PROBE, CHILLED WATER (19D_11-48)	32SM500234
	INCLUDES: ITEM 207	
207	PROBE (19D_11-48)	32SM680001
208	SWITCH, CHILLED WATER LOW TEMPERATURE	19EA660027
209	GASKET, ACCESS COVER (19DG11) (PSN15554)	19DA11-1162
209A	GASKET, ACCESS COVER (19DG21) (PSN15554)	19DA11-1162
209B	GASKET, ACCESS COVER (19DG31) (PSN15554)	19DA31-1362
209C	GASKET, ACCESS COVER (19DG11) (SSN15554)	19DK119-1062
209D	GASKET, ACCESS COVER (19DG21) (SSN15554)	19DK119-1062
209E	GASKET, ACCESS COVER (19DG31) (SSN15554)	19DK139-1062
210	VALVE, VARIABLE ORIFICE (19D_11-48)	NLA
NOTE: ITEM #210 IS NLA, IF DEFECTIVE CONNECT PIPING & BYPASS VALVE.		
211	GASKET, REFRIG. RETURN (19D_11-48)	19DK119-1132
212	GASKET, RING (VENT LINE) (ALL COMPR'S)	DK36GA001
213	SIGHT GLASS (19D_11-48)	(2) KM36BQ199
214	THERMOWELL ASSEMBLY (19D_11-48)	(2) 19DA11-531
215	WELL, CONTROL BULB (19D_11-48)	HL79MZ006
216	NI GASKET, DIVISION PLATE (20"LG) (CUT TO SUIT)	16JB680043
217	COOLER TUBE	SEE NOTE
218	CONDENSER TUBE	SEE NOTE
NOTE: CONTACT CARRIER TO DETERMINE THE REQUIRED TUBE PART NUMBER AND QUANTITY FOR YOUR MACHINE SIZE. YOU MUST PROVIDE MACHINE SERIAL NUMBER.		
219	FILTER HOUSING ASSY (19D_11-48)	(2) KH11YZ141
	INCLUDES: ITEMS 220 - 222	
220	NI FILTER	(2) KH19YZ140
221	NI "O" RING (FILTER BODY)	(2) KK71PR044
222	NI SEAL WASHER (ASSY BOLT)	(2) AU52NA301
223	AGITATOR ASSEMBLY (19DG11-17)	19DG11-533
223A	NI AGITATOR ASSEMBLY (19DG20-27)	19DG21-533
223B	NI AGITATOR ASSEMBLY (19DG31-48)	19DG31-533
	INCLUDES: ITEM 224	
224	CABLE	19EA41-752
225	HEAD CONTROL (19D_11-48)	19DG31-543
226	VALVE, SOLENOID (50 / 60 HZ) (19D_11-48)	EF11CQ070
227	GASKET, OIL RETURN 2" (19DH COMPR)	# 19DK119-1132
227A	GASKET, OIL RETURN 3" (19DG COMPR)	##19DK119-1103
227B	GASKET, OIL RETURN RING 3"	CT99ZX501
NOTE: # USED ON 31 COMPRESSOR'S S / N 18500 TO 23000. ## USED ON 31 COMPRESSORS WITH S / N LOWER THAN 18500 & HIGHER THAN 23000.		
228	ORIFICE ADAPTER 1 / 16" (PURGE CONN) (11-48)	19D11-1952
229	CONTROL, LO - TEMPERATURE (19D_11-48)	HH24ZB034
231	STRAINER (1/2 FLARE) (19D_11-48)	891B-1/2X
231A	STRAINER (1/2 SWEAT) (19D_11-48)	P507-8214S
232	FLARE GASKET (19D_11-48)	DD24FA151
238	EJECTOR (ALL COMPR'S)	17EA013-1572
239	RUPTURE DISC PACKAGE (19D_11-48)	17Q3-317
	INCLUDES: ITEMS 240 - 241	
240	NI DISC	19DG11-6132
241	NI GASKET	(2) CR90SZ001
245	VALVE, GLOBE 3/4 FPT (19D_11-48)	ER39BE090
247	GASKET, FLOAT BOX (19D_11-17)	19DG11-5263
247A	GASKET, FLOAT BOX (19D_21-48)	19DG31-5263
248	NI SCREEN, SIDE FLOAT BOX (19DG11-17)	19DA11-5712
249	NI SCREEN, FRONT FLOAT BOX (19DG11-17)	19DA11-5702
249A	SCREEN, FRONT FLOAT BOX (19DG21-48)	19DA21-5732
250	FLOAT VALVE ASSEMBLY (ALL UNISHELLS)	19DG31-704
	INCLUDES: ITEM 251	
251	FLOAT BALL	EC28HZ026

Catalog No.: 19 . 023 (07 - 93)

Page : 23

Supersedes: 551 - 920 (03 - 82)

Note: See "Catalog Notes" on last page for explanation of symbolism.

Litho in U.S.A.



HERMETIC CENTRIFUGAL CHILLER

19 DG

ITEM	PART DESCRIPTION	REPLACEMENT PART NUMBER
UNISHELL & INTERCONNECTING PIPING (CONT'D)		
252	GASKET, OIL PUMP	19DK119-1022
253	GASKET, CONDENSER W/B (19DG11 - 17)	(2) 19DG11-5203
253A NI	GASKET, CONDENSER W/B (19DG20 - 27)	(2) 19DG214-1133
253B NI	GASKET, CONDENSER W/B (19DG31 - 35) (22 HOLES)	(2) 19DG31-5203
253C NI	GASKET, CONDENSER W/B (19DG31 - 35) (20 HOLES)	(2) 19DG314-1133
253D NI	GASKET, CONDENSER W/B (19DG36 - 39)	(2) 19EA37-5203
253E NI	GASKET, CONDENSER W/B (19DG46 - 48)	(2) 19EA46-5104
254	GASKET, COOLER W/B (19DG11 - 17)	(2) 19DG11-5313
254A NI	GASKET COOLER W/B (19DG20 - 27)	(2) 19DG213-1123
254C NI	GASKET, COOLER W/B (19DG31 - 35)	(2) 19DG31-5213
254D NI	GASKET, COOLER W/B (19DG36 - 39)	(2) 19EA37-5213
254E NI	GASKET, COOLER W/B (19DG46 - 48)	(2) 19EA463-1103
255	SPRING 2" (INSIDE HOSE) (19D 11 - 48) (PSN 15554)	19DA11-1041
256	HOSE 2" (19D 11 - 48) (PSN 15554)	(2) 19DA11-5621
257	CLAMP, HOSE 2" (19D 11 - 48) (PSN 15554)	(4) KA69VA027
258	GASKET, OIL DRAIN (19D 11 - 48)	19DK119-1103
259	BACK PRESSURE VALVE (ALL UNISHELLS)	19D11-1962
260	SPRING 3" (INSIDE HOSE) (19D 11 - 48) (PSN 15554)	19DA13-1041
261	HOSE 3" (19D 11 - 48) (PSN 15554)	19DA11-5631
262	CLAMP, HOSE 3" (11,17,31,39) (PSN 15554)	(2) KA69VA038
262A NI	CLAMP, HOSE 3" (21 - 27) (PSN 15554)	(4) KA69VA038
263	GASKET, DISCHARGE (11 - 25 UNISHELL / 11 COMPR)	19DK119-1043
263A NI	GASKET, DISCHARGE (21 - 35 UNISHELL / 21 COMPR)	19DK129-1043
263B NI	GASKET, DISCHARGE (31 - 48 UNISHELL / 31 COMPR)	19DK139-1043
264	POPPET VALVE (COMPR CODE 12 - 31)	19DR521-444
264A NI	POPPET VALVE (COMPR CODE 33 - 47)	19DR531-444
264B NI	POPPET VALVE (COMPR CODE 49 - 61)	19DR551-444
264C NI	POPPET VALVE (COMPR CODE 63 - 78)	19DR571-444
264D NI	POPPET VALVE (COMPR CODE 79 - 98)	19DR601-444
265	SHIM, POPPET VALVE	19DG117-1112
266	SCREEN, VALVE (CONE STRAINER) (U 12 - 57) (4.75" TALL)	19DG117-214
266A NI	SCREEN, VALVE (CONE STRAINER) (U 61 - 78) (5.88" TALL)	19DG317-214
267	CLAMP	KA69KM300
268	SCREEN, MOTOR COOLING SUPPLY	19DG117-1502
269	THERMOWELL ASSEMBLY (SUMP CHAMBER)	19DG117-102
270	GASKET, SUMP COVER	19DG117-1532
271	SOLENOID VALVE	EF11CM182
PURGE ASSEMBLY		
272	PLUG VALVE 1/2"	EV01AM041
273	TOGGLE SWITCH 3 WAY	HR53VK120
274	TOGGLE SWITCH 2 WAY	HR53BE019
275	VALVE, 3 WAY (FLARE) (IF ORIGINAL WAS SOLDER USE IT # 276 TO REPLACE)	EP10AA212
276	VALVE, 2 WAY	(4) 5164
277	ORIFICE (.062) (1/2" ODS X 3/8" ODS)	19DG12-5466
280	PURGE PRESSURE GAUGE	KM03AF301
281	AMBER PILOT LIGHT	HY19AD026
283	PRESSURE SWITCH (OPERATING)	HK06ZC030
284	PRESSURE SWITCH (SAFETY)	HK06ZC026
286	PURGE PUMP (VACUUM) (115 - 1 - 50/60 HZ) (LGH - 2V) (1/4" CONN'S)	KK81AX031
287	SOLENOID VALVE	EF11CQ070
288	CHECK VALVE 1/2"	19DG660002
289	VALVE, ANGLE	EP20LA095
NOTE: CURRENT PUMPS MAY BE LABELED "PNEUMOTIVE DIV., ITT CORP." USE SAME REPAIR PKGS. LISTED BELOW FOR B/G.		
292 NI	VALVE REPAIR PACKAGE (BELL - GOSSETT LGH - 2V / GH - 3V1) (1/4" CONN'S)	19DA660006
INCLUDES: ITEMS 292A - 292D		
292A NI	GASKET	(2) NSS
292B NI	VALVE PLATE	NSS

Catalog No.: 19.023 (07 - 93)

Page : 24

Supersedes: 551 - 920 (03 - 82)

Note: See "Catalog Notes" on last page for explanation of symbolism.

Litho in U.S.A.



HERMETIC CENTRIFUGAL CHILLER

19 DG

ITEM	PART DESCRIPTION	REPLACEMENT PART NUMBER
PURGE ASSEMBLY (CONT'D)		
292D	N "O" RING & SPRING	NSS
293	N VALVE REPAIR PACKAGE (BELL - GOSSETT BLVGH PUMP) (3/8" CONN'S)	19P47 - 002
	INCLUDES: ITEMS 293A - 293	
293A	NI GASKET	(2) NSS
293B	NI VALVE	NSS
293C	NI VALVE	NSS
294	NI PISTON REPAIR PACKAGE (BELL - GOSSETT LGH2V PUMP) (1/4" CONN'S)	19P47-003
	INCLUDES: ITEMS 294A - 294B	
	NOTE: ITEM # 294 IS USED ON MACHINES PSN 18400.	
294A	NI PISTON RING	NSS
294B	NI PISTON SPRING	NSS
295	PISTON REPAIR PACKAGE	19DG660001
	INCLUDES: ITEMS 295A - 295B	
	NOTE: ITEM # 295 IS USED ON MACHINES SSN 18400.	
295A	NI PISTON RING SET	NSS
295B	NI SPRING SET	NSS
315	PURGE ASSEMBLY	19DG660010
	INCLUDES: ITEMS 316 - 339	
316	PUMP & MOTOR (115 - 3 - 50 / 60)	KK81AX031
317	VALVE, SOLENOID (50 / 60 HZ)	EF11CQ070
318	GAUGE, PRESSURE	KM03AC250
319	PURGE ASSEMBLY (INCLUDES ITEM # 328)	19DG12-908
320	SWITCH, OPERATING	HK06ZC030
321	SWITCH, SOLENOID	HR53BE019
322	SWITCH, SELECTION	HR53VK120
323	SWITCH, SAFETY	HK06ZC026
324	VALVE, CHECK	19DG660002
325	STRAINER	891B-1/2X
326	VALVE, ANGLE	EP20LA095
327	ORIFICE 1/8"	19DG12-5466
328	PURGE CONDENSER ASSEMBLY (DESIGN # 2)	19DK111-233
	INCLUDES: ITEMS 329 - 339	
329	"O" RING	KK74ZW325
330	COUPLING, "V" BAND	CT28MP035
331	GLAND	(2) TS-380
332	GASKET, OUTER SIGHT GLASS	(2) 5F20-1631
333	SIGHT GLASS	(2) 19C35-6151
334	GASKET, INNER SIGHT GLASS	(2) 5F20-1011
335	VALVE	19DA11-551
336	GASKET, RING	19DK119-1042
337	BALL, FLOAT	EC28QZ030
338	ARM, FLOAT	19DA11-501
339	COVER, FLOAT CHAMBER	19DA11-5043
CONTROL GROUP		
340	RELAY MODULE ASSEMBLY (DESIGN # 1)	NLA
	INCLUDES: ITEMS 341 - 348	
	NOTE: IF IT IS NECESSARY TO REPLACE THE COMPLETE RELAY MODULE ASSEMBLY, (DESIGN #1), USE 32SM660004 RELAY MODULE CONVERSION KIT FOR THE FIRST TIME AND THAN USE DESIGN # 2 RELAY COMPONENT PARTS. (SEE ITEM # 364)	
341	CIRCUIT BREAKER	HH83XH110
342	RESISTOR	HT21AU100
343	RELAY, TIME DELAY	19EA41-611
344	TIMER, PROGRAM	HK25BB020
345	RELAY	(5) HN81KL616
346	FUSE	AGC3
347	FUSE HOLDER	HKP-HH
348	NI CIRCUIT BOARD, PRINTED	32SM400004
349	AMPLIFIER MODULE ASSEMBLY	32SM500704
350	INDICATOR, ELAPSED TIME (60 HZ) (SQUARE)	19EA660035
350A	NI INDICATOR, ELAPSED TIME (50 HZ) (SQUARE)	HK28HZ117

Catalog No.: 19 . 023 (07 - 93)

Page : 25

Supersedes: 551 - 920 (03 - 82)

Note: See "Catalog Notes " on last page for explanation of symbolism.

Litho in U.S.A.



HERMETIC CENTRIFUGAL CHILLER

19 DG

ITEM	PART DESCRIPTION			REPLACEMENT PART NUMBER
CONTROLS GROUP (CONT'D)				
350B	NI	INDICATOR, ELAPSED TIME (60 HZ) (ROUND)		HK28DG115
350C	NI	INDICATOR ELAPSED TIME (50 HZ) (ROUND)		HK28DG116
354		COUNTER (NOT ON EARLY ASSYS)		HK28ZZ115
355		SWITCH, CONDENSER HI - PRESSURE		19P47-1713
356		GAUGE, OIL PRESSURE (30 " - 0 - 60 PSI) (SEE NOTE BELOW)		KM03AF302
357		SWITCH, VANE CLOSED		HK06ZC025
358		SWITCH, PUSH BUTTON		HR54ZA001
359		SWITCH, PUSH BUTTON	(2)	HR54ZA020
360		GAUGE, PRESSURE (COOLER / CONDENSER) (30 " - 0 - 30 PSI)	(2)	KM03AF301
NOTE: THE GAUGES LISTED FOR ITEMS 356 & 360 HAVE CENTER BACK CONNECTIONS , COMPARED TO 1.06 " BELOW CENTER ON THOSE THEY REPLACE . ADJUST TUBING TO FIT .				
361		LIGHT, INDICATING	(4)	HY19MM020
362		SWITCH, LOW - OIL PRESSURE (C 14.5 / O 9.5)		HK06CA401
363		LOCK & KEY		KA19NL010
364		RELAY MODULE ASSEMBLY (DESIGN # 2)		32SM400694
INCLUDES: ITEMS 365 - 370				
365		RELAY (LIGHTED) (K2)		HN61KL616
366		RELAY (K1 ,K3 ,KB ,KM)	(4)	HN61KL615
367		PROGRAM TIMER		HK25ZD030
368		FUSE		AGC3
369		FUSE HOLDER		HTB - 84 I
370		LIGHT, INDICATING	(2)	32SM400702
371		AMPLIFER MODULE ASSEMBLY		32SM500704
372		SWITCH, LO - OIL PRESS CUTOUT		HK06CA401
373		SWITCH, VANE CLOSED		HK06ZC025
374		SWITCH, HI - CONDENSER CUT - OUT		HK01CA015
375		GAUGE, PRESSURE COOLER / CONDENSER (SEE NOTE ITEM # 360)	(2)	KM03AF301
376		GAUGE, PRESSURE, OIL (SEE NOTE ITEM # 360)		KM03AF302
377		SWITCH, PUSH BUTTON	(2)	HR54ZA020
378		SWITCH, PUSH BUTTON		HR54ZD040
379		LIGHT, INDICATING	(4)	HY19MM020
380		ELAPSED TIME INDICATOR (60 HZ)		HK28DG115
380A	NI	ELAPSED TIME INDICATOR (50 HZ)		HK28DG116
382		COUNTER, START		HK28ZZ115
383		LEAD - LAG CONTROL		32SM900001
INCLUDES: ITEMS 384 - 389				
384		SWITCH, SELECTOR		32SM500843
385		POTENTIOMETER		32SM500623
386		KNOB		KA21RB156
387		RELAY, TIME DELAY (K24)		HN67SK007
388		RELAY (K20 - 24)	(4)	HN61KL616
389		SWITCH, PUSH BUTTON (S2 - S4)	(3)	HR54ZA001
390		SAFETY PANEL		32GA900001
INCLUDES: ITEMS 391 - 393				
391		SWITCH, LIGHTED PUSH BUTTON (RED)		HR54ZA040
392		SWITCH, LIGHTED PUSH BUTTON (WHITE)	(7)	HR54ZA020
393		RELAY	(11)	HN61KL615
MISCELLANEOUS GROUP				
394	NI	OIL, COMPRESSOR (5 GAL. CAN)		PP23BB006
395	NI	TUBE CLEANING BRUSH (3/4 " OD TUBE)		KC21AH105
396	NI	PAINT (5 GALLON CAN)		19P47-005
397	NI	PAINT (12 OZ SPRAY)		PH23GH017
398	NI	INSULATION, SHEET (3/4 X 44 X 56)		QR0911 C445634
399	NI	TAPE (FOR INSULATION)		PG 8741
400	NI	32SM LOW TEMPERATURE PROBE		19DA21-114-1
NOTE: REPLACES STANDARD 32SM PROBE ON JOBS WHEN CONTROL BELOW 32 F / 0 C IS REQUIRED.				
401	NI	RELAY MODULE PRINTED CIRCUIT BOARD (DESIGN # 1)		32SM400004
NOTE: USE WHEN EXISTING BOARD IS DAMAGED. INCLUDES RELAY SOCKETS AND TERMINAL STRIPES.				
402	NI	INNER PROBE / 32SM CHILLED WATER SENSOR		32SM680001
NOTE: TO REPLACE DEFECTIVE PROBE WITH OUT REPLACING THE ENTIRE ASSEMBLY				

Catalog No.: 19 . 023 (07 - 93)

Page : 26

Supersedes: 551 - 920 (03 - 82)

Note: See "Catalog Notes " on last page for explanation of symbolism.

Litho in U.S.A.



HERMETIC CENTRIFUGAL CHILLER

19 DG

ITEM		PART DESCRIPTION	REPLACEMENT PART NUMBER
MISCELLANEOUS GROUP (CONT'D)			
403	NI	NEW RELAY MODULE	32SM400694
NOTE: SERVICE REPLACEMENT FOR MACHINES WITH NEW CONTROL SCHEME (4-CAM PROGRAM TIMER, INDICATOR LIGHTS IN PLACE OF CB1 & CB2).			
404	NI	RELAY MODULE CONVERSION PACKAGE.	32SM660004
NOTE: TO CONVERT MACHINES FROM OLD SCHEME (W/32 SM400494 MODULE) TO SCHEME UTILIZING ITEM # 403.			
405	NI	ANTI-RECYCLE TIMER KIT	19EA660001
NOTE: FOR USE ON JOBS WHERE 15 MINUTES DOWN (RECYCLE) TIME CANNOT BE TOLERATED. ALLOWS 1 RESTART WITHIN 2 MINUTES, BUT 20 MINUTES BEFORE NEXT. TO BE USED " ONLY " WHEN REAL NEED EXISTS.			
406	NI	TWO MINUTE PROGRAM TIMER	19EA41-003
NOTE: SPECIAL TIMER INCLUDED WITH ITEM # 393. NOT TO BE USED SEPERATE			
407	NI	CLEANUP KIT	19CB660006
NOTE: CONTAINS ALL NECESSARY PARTS & PIPING FOR CLEANUP AFTER BURNOUT OR FOR CLEANING UP A WET MACHINE.			
408	NI	EXTERNAL OIL FILTER KIT	19DK660016
NOTE: CONTAINS A DUPLEX FILTER SO THAT MACHINE CAN CONTINUE TO RUN WHILE CHANGING OIL FILTERS.			
409	NI	RUPTURE DISC / RELIEF VALVE CONVERSION PKG. 2"	19DK660015
INCLUDES: ITEM 410			
410	NI	DISC, NON-FRAGMENTING (15 PSIG)	EB59LX014
NOTE: CONTAINS REPLACEMENT ASSEMBLY FOR CARBON RUPTURE DISC.			



ORDERING INSTRUCTIONS

1. All orders should include the complete model and serial number of the unit on which the parts are to be used, and the part number and description of each part.
2. Dealers should forward orders to their Carrier distributor.

GENERAL NOTES

1. This catalog contains those items most commonly required for replacement purposes. If parts other than those cataloged are required, please provide the model number and serial number of the unit on which the parts are to be used and a complete description including references to items which are cataloged.
2. Casing parts and panels are not normally stocked, but are available upon request while in production. Requests for casing parts and panels for units no longer in production must be cleared for availability prior to submitting an order.
3. Complete "Accessory Packages" of "F.I.O.P.'s" (Factory-Installed Option Plan) are not normally stocked or supplied by the Replacement Components Division. (Refer to Master Price Pages and order from your normal source for finished goods.)
Accessory packages and F.I.O.P.'s are listed in this catalog only for reference and to assist in the selection and ordering of replacement components.
4. The replacement parts listed in this catalog are RCD "Factory-Authorized Parts" and, as a result of "standardization," may not be identical to the original part furnished on the equipment.

CATALOG NOTES

1. The part number in the model column indicates the part number required for that model, size and/or voltage.
2. An arrow → in the model column indicates that the model, size, and/or voltage uses the same part number as the part number shown to the left.
3. An X in the model column indicates that the part is not used on that model, size and/or voltage.
4. A number in parenthesis before the part number indicates the quantity required for that model, size, and/or voltage. Part number only in the column indicates a quantity of one.
5. The notation "NI" following the item number indicates that the item is not illustrated in the catalog.



