

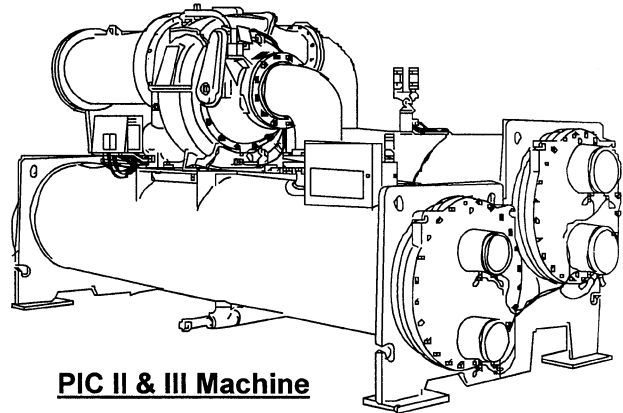
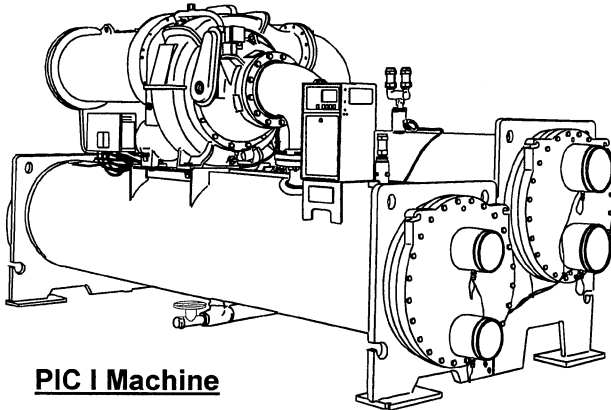
Centrifugal Liquid Chiller (Includes 19XR & 19XRV Info.) PIC I, PIC II, PIC III Controls

19XR

This Service Parts Guide Is Compressor Frame Size Driven.

Model Name Descriptions:

- (19XR FR#2) 19XR Machine With Frame #2 Compressor & With Frame #1, 2, Or 3 Cooler\Condenser Vessels.
- (19XR FR#3) 19XR Machine With Frame #3 Compressor & With Frame #3, 4, Or 5 Cooler\Condenser Vessels.
- (19XR FR#3 REB) 19XR Machine With Frame #3 Compressor With Roller Element Bearings & With Frame #3, 4 Or 5 Cooler\Condenser Vessels.
- (19XR FR#4) 19XR Machine With Frame #4 Compressor Without Split Ring Diffuser & With Frame #5, 6, Or 7 Cooler\Condenser Vessels, Built Prior To January 2002.
- 19XR FR#4 2002) 19XR Machine With Frame #4 Compressor Without Split Ring Diffuser & With Frame #5, 6, Or 7 Cooler\Condenser Vessels, Built After December 2001.
- 19XR FR#4) 19XR Machine With Frame #4 Compressor With Split Ring Diffuser & With Frame #5, 6, Or 7 Cooler\Condenser Vessels.
- (19XR FR#5) 19XR Machine With Frame #5 Compressor & With Frame #7 Or 8 Cooler\Condenser Vessels.



How To Use This Catalog

1. This Catalog Presents The Most Commonly Used Specified Replacement Parts For The Standard 19XR Centrifugal Refrigeration Machine And Is Not Applicable To Any Special Order Machines. (Contact Carrier With Machine Serial Number For Any Special Order Machine Parts.)
2. Occasionally, Due To Limitations Of Illustrations Used, A Part May Not Be Illustrated. These Parts Are Identified by "N" In The Column Next To The Item Number.
3. The Following Parts Are Not Listed In This Catalog:
 - A. Impellers, Shrouds, Diffusers
 - B. Compressor Motor (Rotor & Stator)
 - C. Evaporator Tube Part Number
 - D. Condenser Tube Part Number

If Any Of These Parts Are Required, Contact Your RCD Customer Service Representative With The Model Number And Serial Number Of Your Machine.

4. Positive Identification Of Your Machine To Properly Select Parts May Be Done By Referring To Machine Name Plate, See Significance Chart On Page #2 (Graphic 19061002)

Graphics Catalog

Catalog No: RCD-3519-061 (9/06)

Supersedes: RCD-3519-061

Rev. B

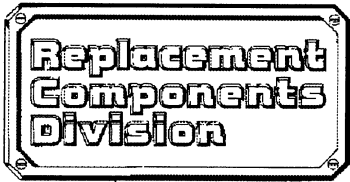
Rev. A

Graphics Page: 1

Litho in U.S.A



Electronic Graphics 19061001

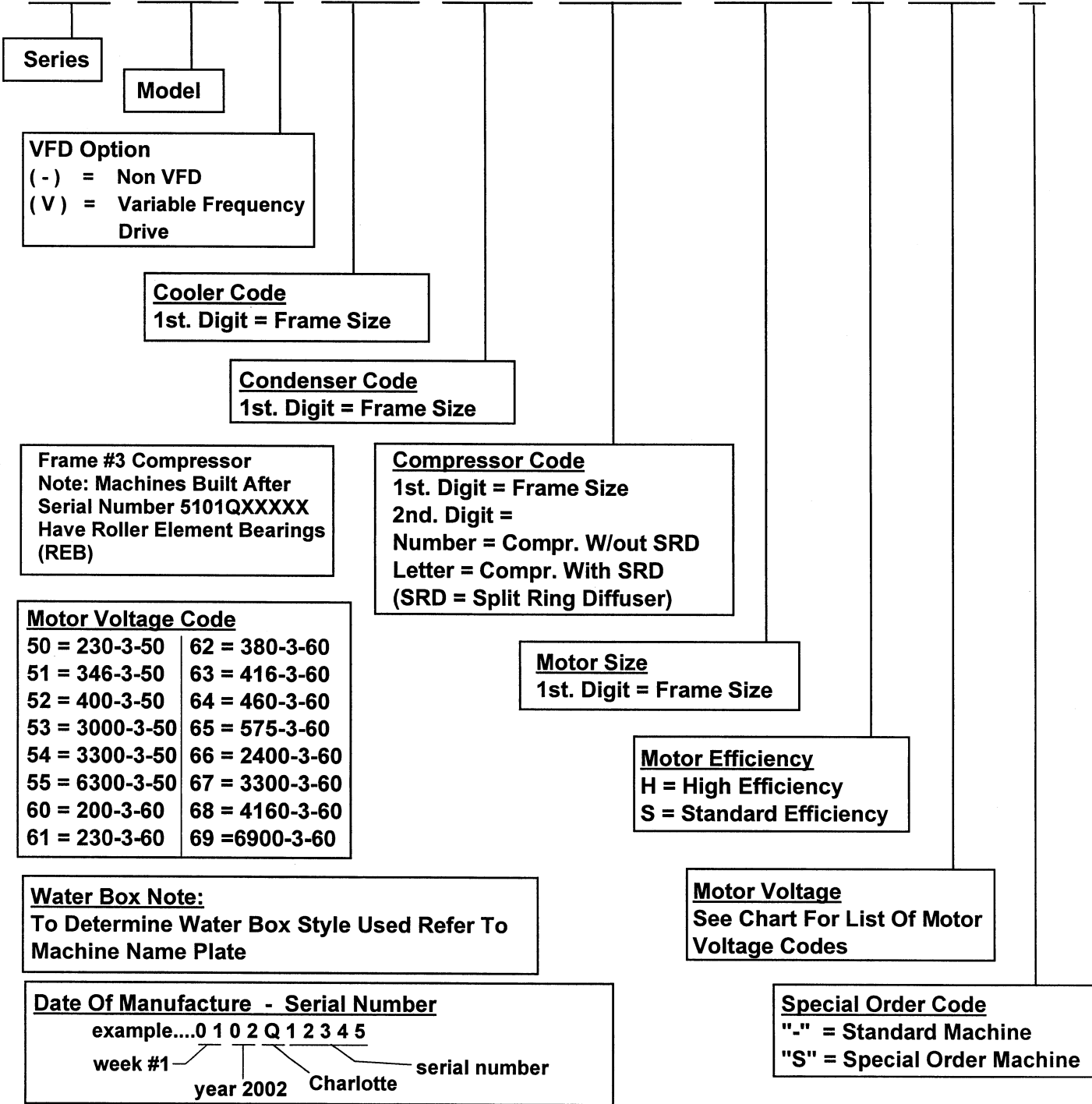


**Centrifugal Liquid Chiller
(Includes 19XR & 19XRV Info.)
PIC I, PIC II, PIC III Controls**

19XR

Model Number Significance Chart

1 9 X R - 5 2 5 1 3 7 3 C Q H 6 3 -



Low-Speed Labyrinth & Gear Selection Charts

**Low-Speed Labyrinth & Gear Selection Chart
To Be Used For Frame #2 Compressor Only**

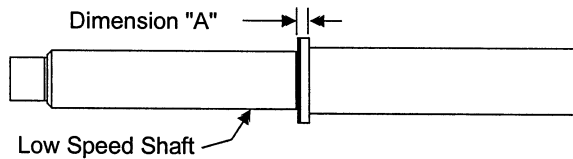
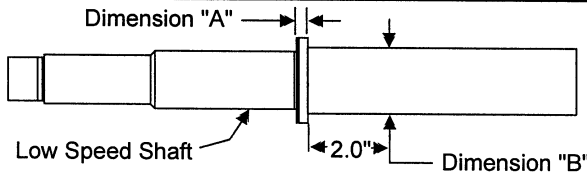


Chart 1A

- If Dimension "A" = 0.50" Use Item #206 For Low Speed Labyrinth
 #210A For 60Hz Low Speed Gear
 #210B For 50Hz Low Speed Gear
 #211A For Retaining Ring
- If Dimension "A" = 1.00" Use Item #207 For Low Speed Labyrinth
 #210C For 60Hz Low Speed Gear (psn 1504Q)
 #210E For 60Hz Low Speed Gear (ssn 1504Q)
 #210D For 50Hz Low Speed Gear (psn 1504Q)
 #210F For 50Hz Low Speed Gear (ssn 1504Q)
 #211B For Retaining Ring (psn 1504Q)
 #211C For Retaining Ring (ssn 1504Q)

**Low-Speed Labyrinth & Gear Selection Chart
To Be Used For Frame #3, #3 w/REB & #4 Compressors Only**

Chart 1B

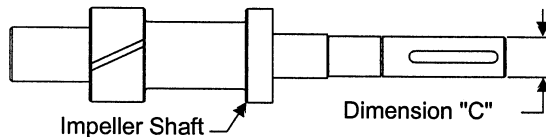


Do Not Use For Frame #4 Compressors w/SRD
 Or Frame #4 Compressors (2002)

- If Dimension "A" = 1.44" Or 1.50" Use Item #206 For Low Speed Labyrinth
 If Dimension "A" = .50" Check Dimension "B"
 If Dimension "B" = 4.25" Use Item #207 For Low Speed Labyrinth
 If Dimension "B" = 4.50" Or 4.62" Use Item #208 For Low Speed Labyrinth

**Impeller Shaft Selection Chart
To Be Used For Frame #3 & #4 Compressors Only**

Chart 2



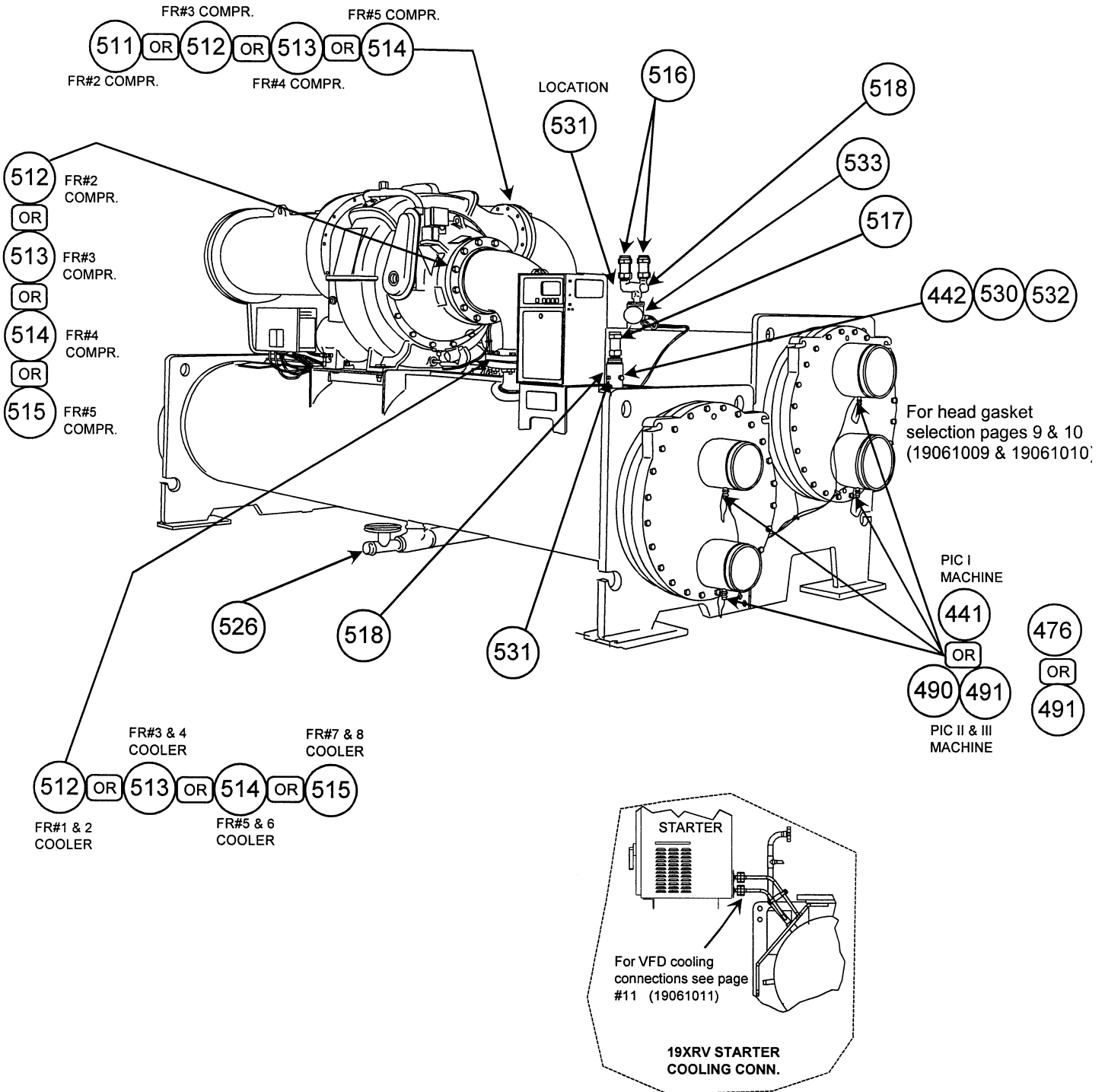
Do Not Use For Frame #3 Compressors
 w/REB , Frame #4 Compressors w/SRD Or
 Frame #4 Compressors (2002)

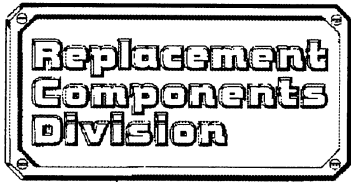
- If Dimension "C" = 1.37" You Have The Larger Diameter Shaft
 Which Is A Direct Replacement
- If Dimension "C" = 1.15" You Have The Smaller Diameter Shaft
 Which Is Not A Direct Replacement And You Must Call Your Carrier (RCD)
 Representative Refer To Service Bulletin C9921 For More Information



**Centrifugal Liquid Chiller
(Includes 19XR & 19XRV Info.)
PIC I, PIC II, PIC III Controls**

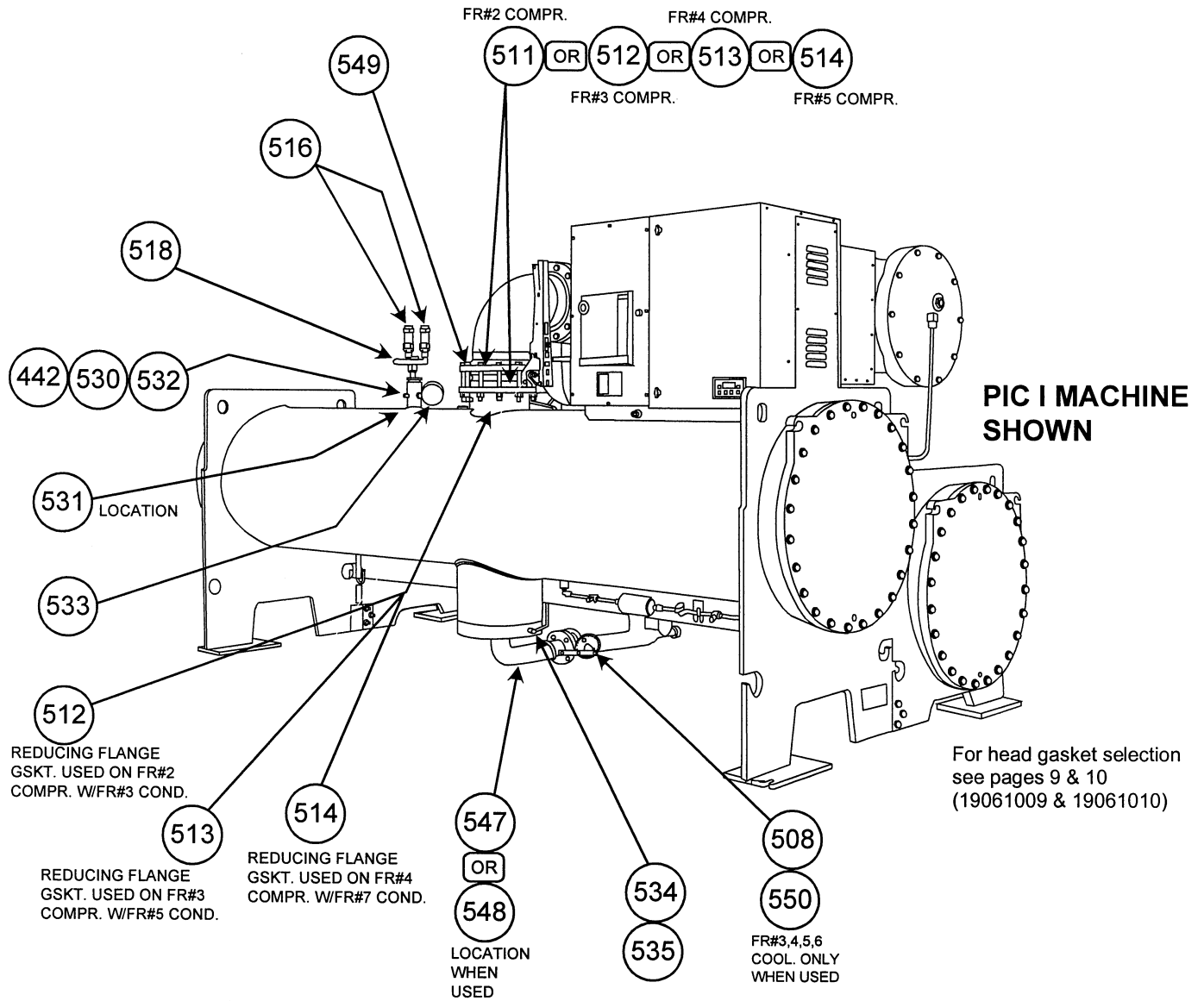
19XR





Centrifugal Liquid Chiller (Includes 19XR & 19XRV Info.) PIC I, PIC II, PIC III Controls

19XR



Graphics Catalog
Catalog No: RCD-3519-061 (9/06)
Supersedes: RCD-3519-061

Rev. B
Rev. A

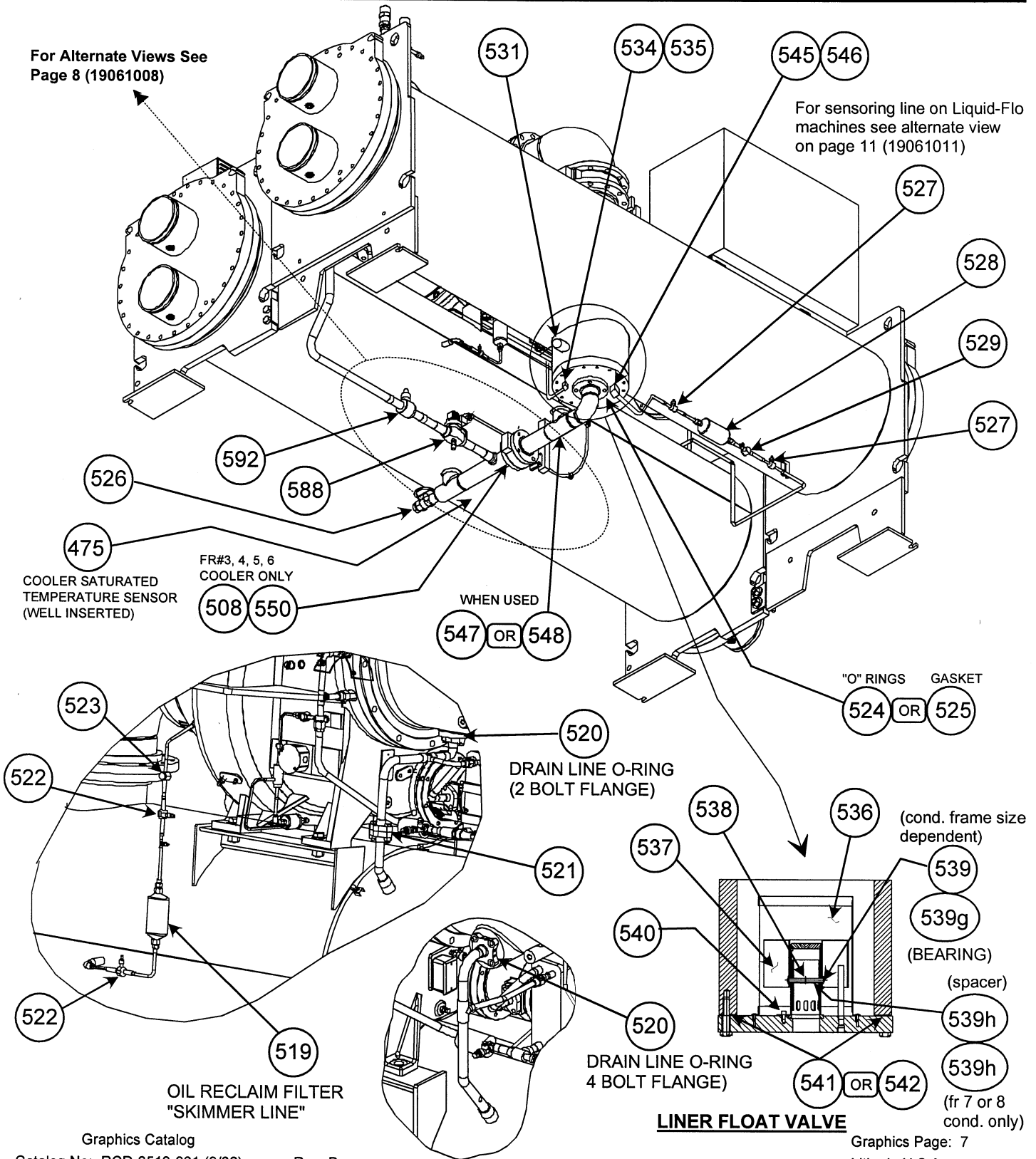
Graphics Page: 6
Litho in U.S.A

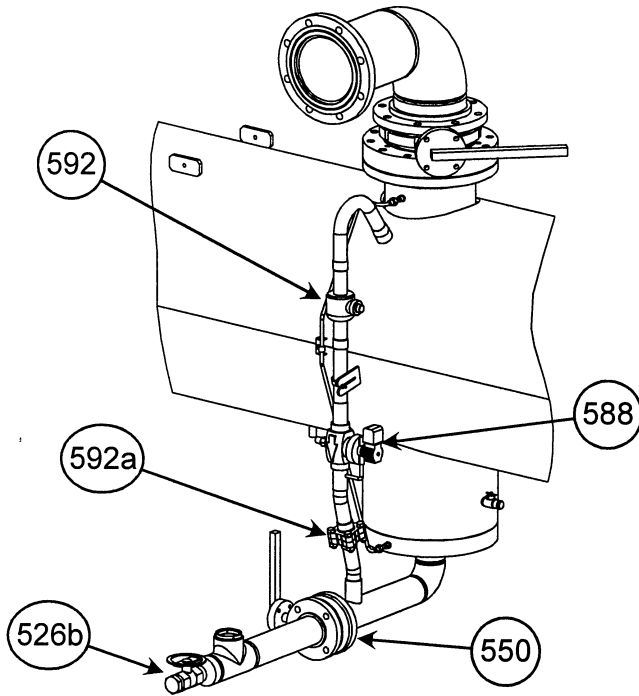


Electronic Graphics 19061006

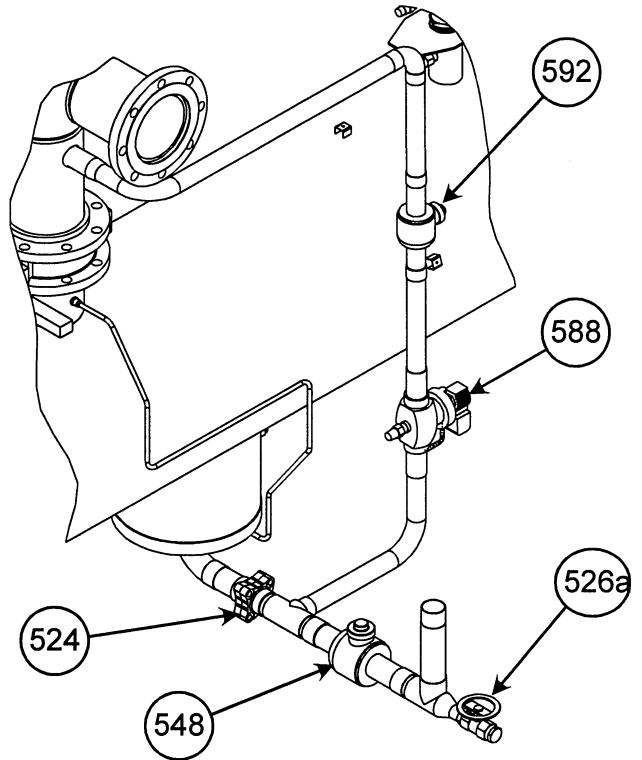
**Centrifugal Liquid Chiller
(Includes 19XR & 19XRV Info.)
PIC I, PIC II, PIC III Controls**

19XR

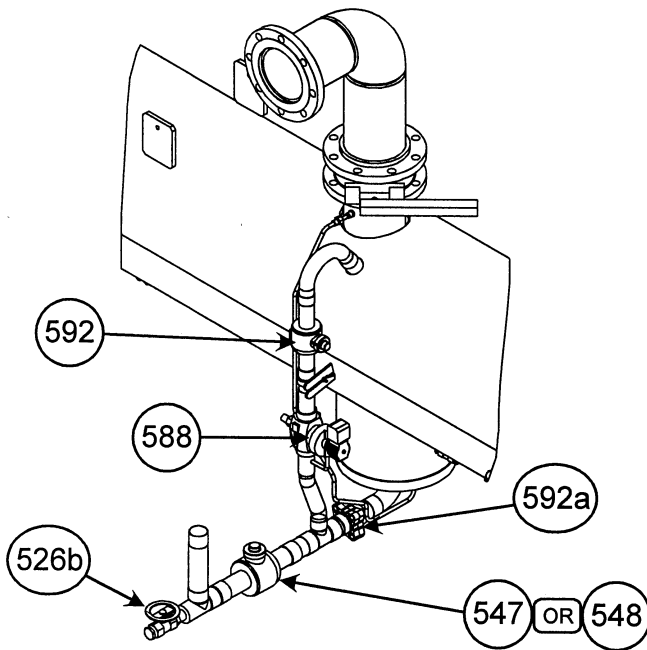




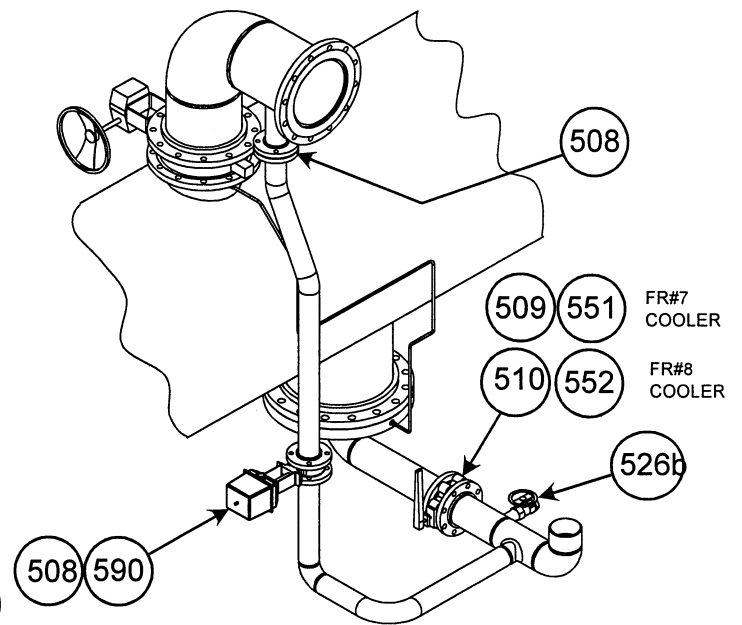
**Cooler/Condenser Fr# 5 & 6
w/HGBP & w/Liquid Flo II VFD**



**Cooler/Condenser Fr# 1, 2, 3 & 4
w/HGBP & w/out VFD or w/Liquid Flo I VFD**

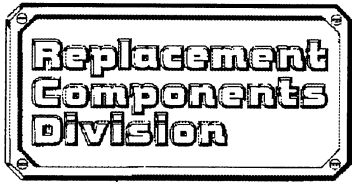


**Cooler/Condenser Fr# 1, 2, 3 & 4
w/HGBP & w/Liquid Flo II VFD**



**Cooler/Condenser Fr# 5, 6, 7 & 8
w/HGBP & w/out VFD or w/Liquid Flo I VFD**



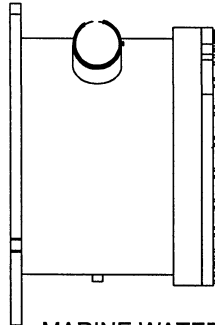
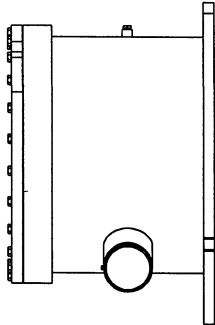


Centrifugal Liquid Chiller (Includes 19XR & 19XRV Info.) PIC I, PIC II, PIC III Controls

19XR

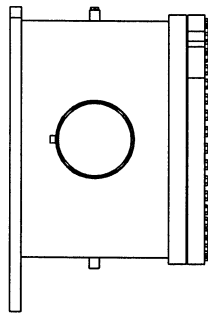
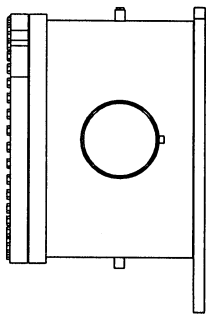
COOLER & CONDENSER VESSEL HEAD & WATERBOX GASKETS

SEE ITEMS
557n THRU 557w
OR
558j THRU 558s



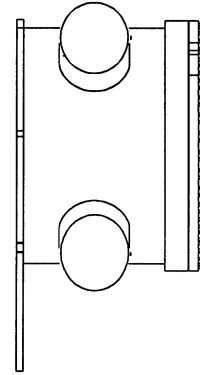
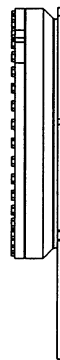
MARINE WATERBOXS
3-PASS

SEE ITEMS
557a THRU 557m
OR
558a THRU 558i

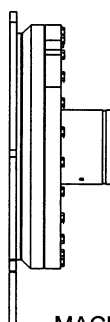
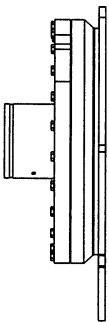


MARINE WATERBOXS
1-PASS

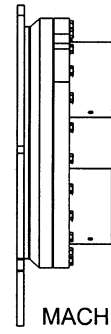
SEE ITEMS
557n THRU 557w
OR
558j THRU 558s



MACHINED HEAD & MARINE WATERBOX
2-PASS



MACHINED HEADS (NIH)
1-PASS



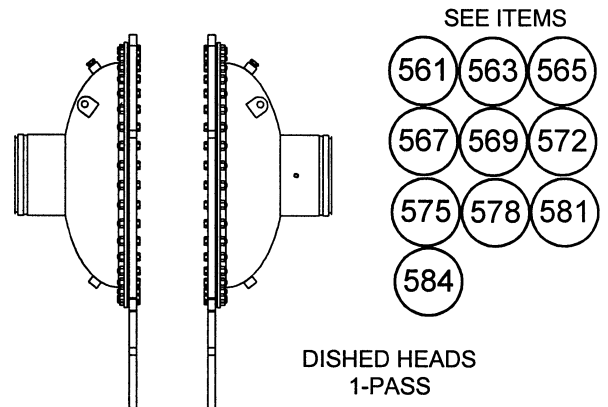
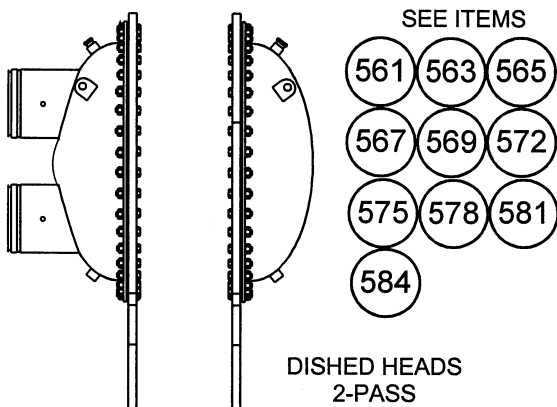
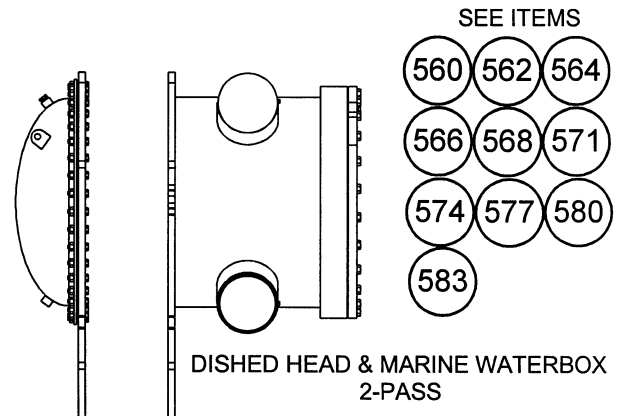
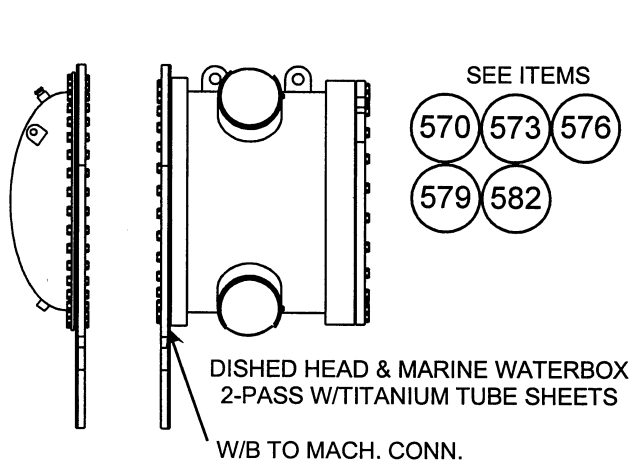
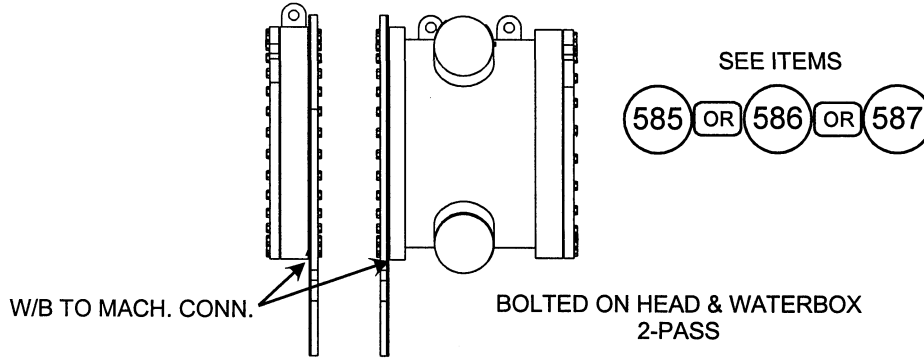
MACHINED HEADS (NIH)
2-PASS

SEE ITEMS
555a THRU 555p
OR
556a THRU 556p

SEE ITEMS
555a THRU 555p
OR
556a THRU 556p



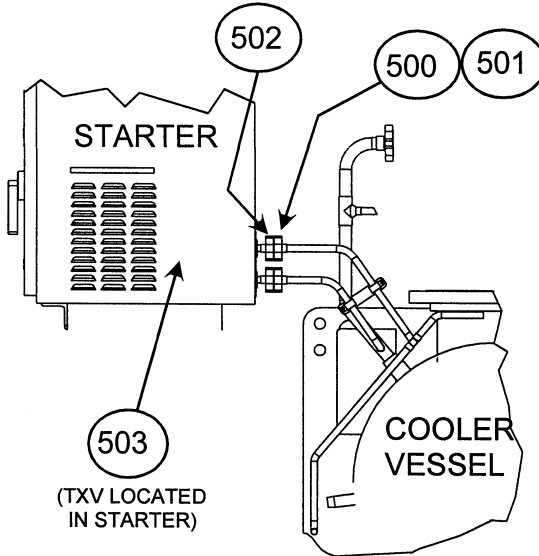
COOLER & CONDENSER VESSEL HEAD & WATERBOX GASKETS





**Centrifugal Liquid Chiller
(Includes 19XR & 19XRV Info.)
PIC I, PIC II, PIC III Controls**

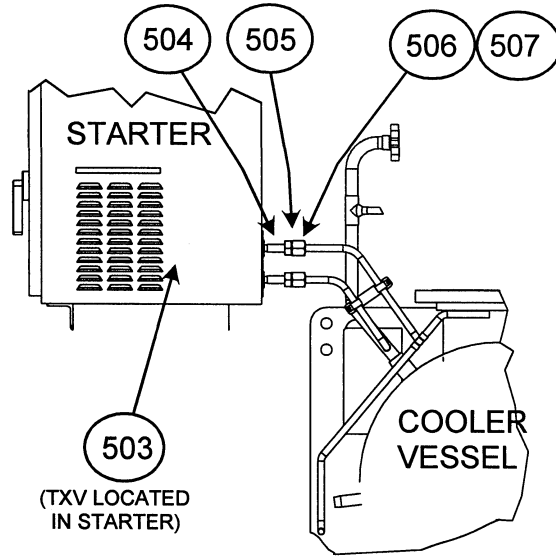
19XR



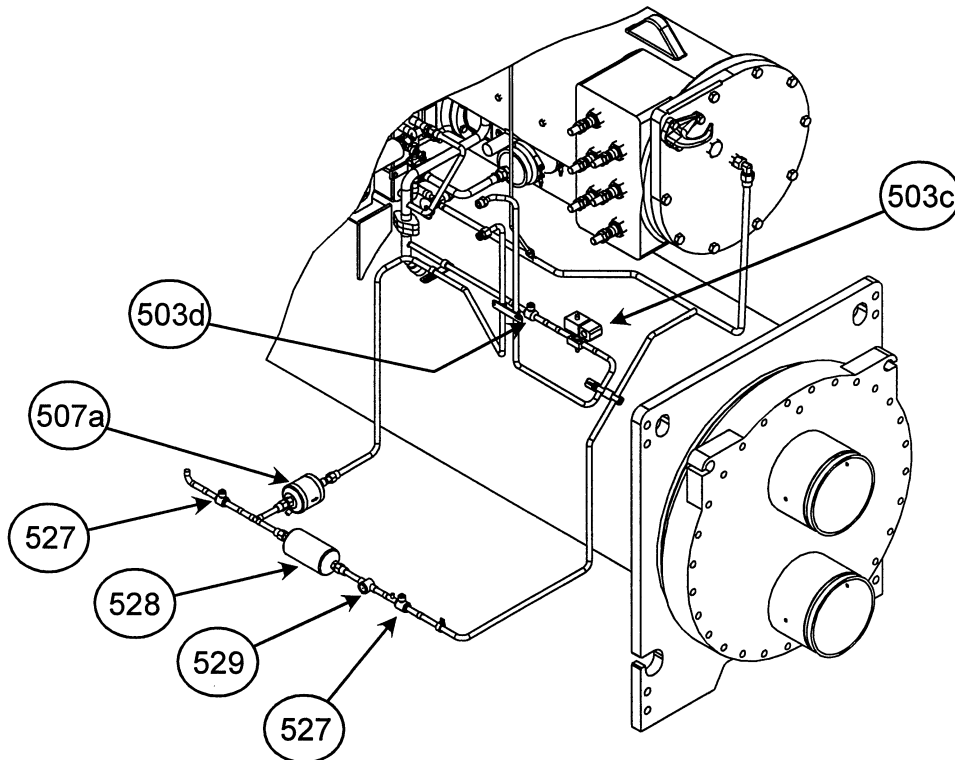
2-BOLT FLANGE CONFIGURATION

Note: To retrofit cooling line connections to latest design refer to Service Bulletin C0317

**19XRV VFD
COOLING CONN.
(Liquid FLO 1 & FLO 2)**

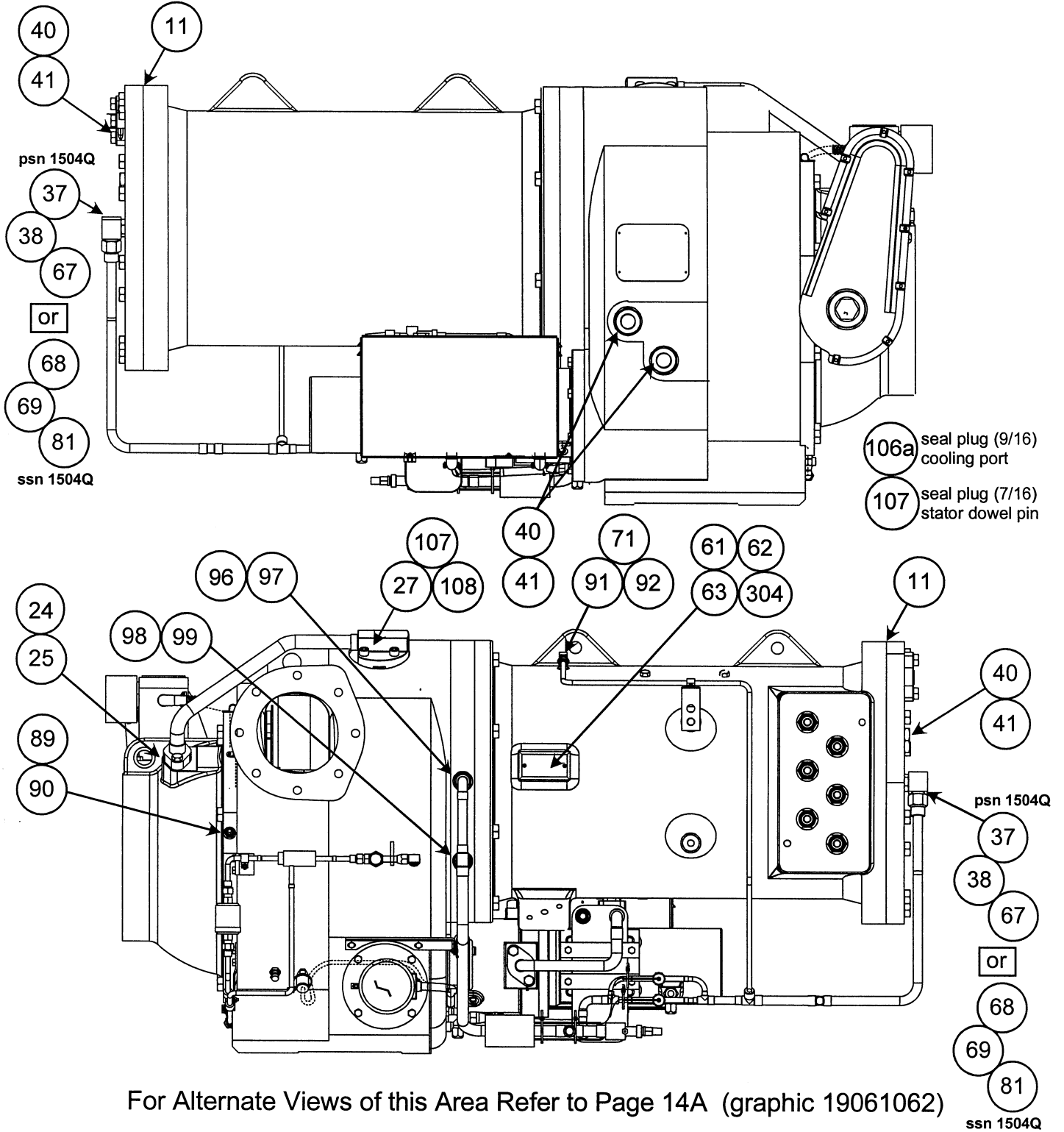


THREADED CONNECTOR CONFIGURATION



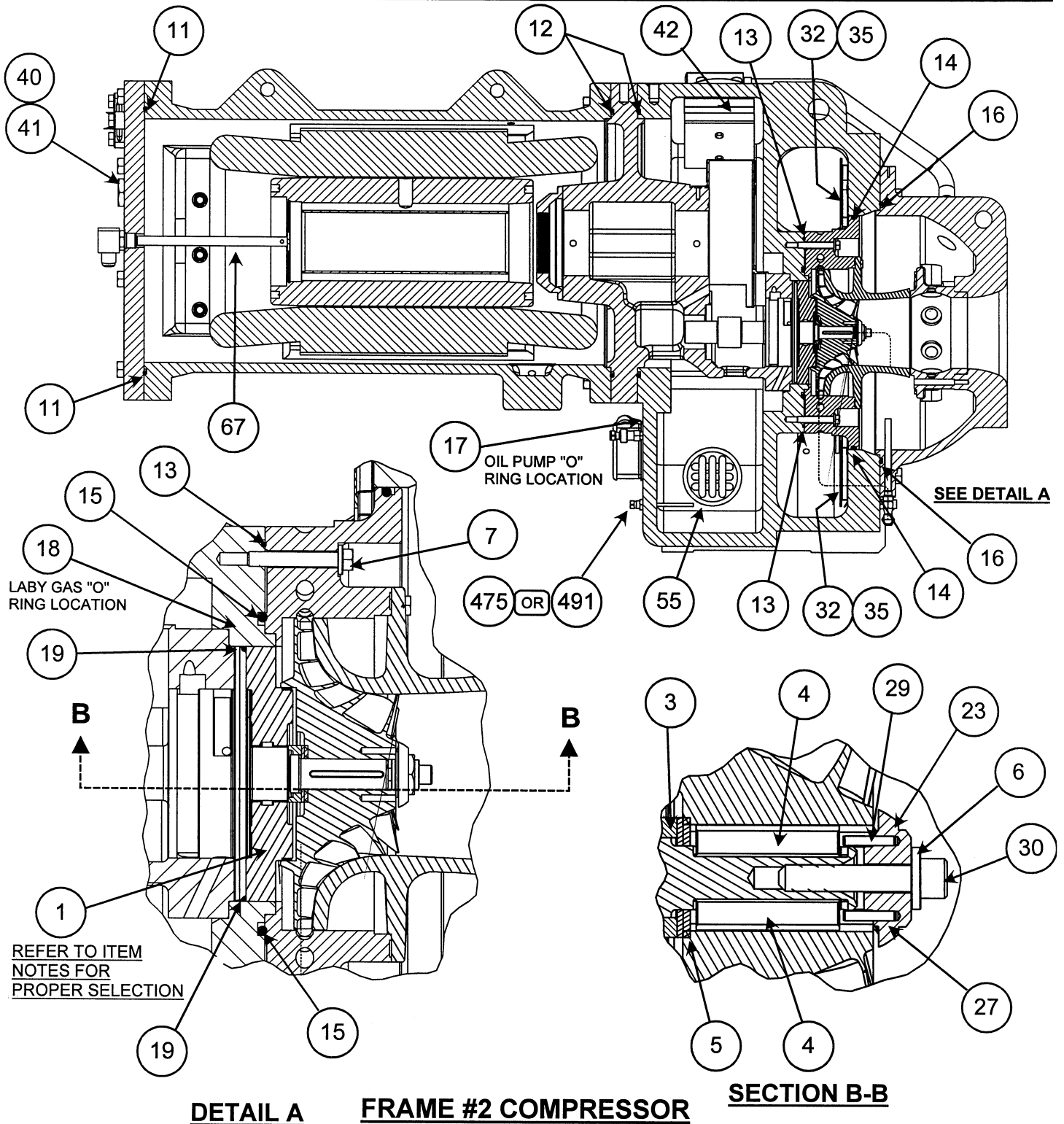
Liquid Flo II





**Centrifugal Liquid Chiller
(Includes 19XR & 19XRV Info.)
PIC I, PIC II, PIC III Controls**

19XR

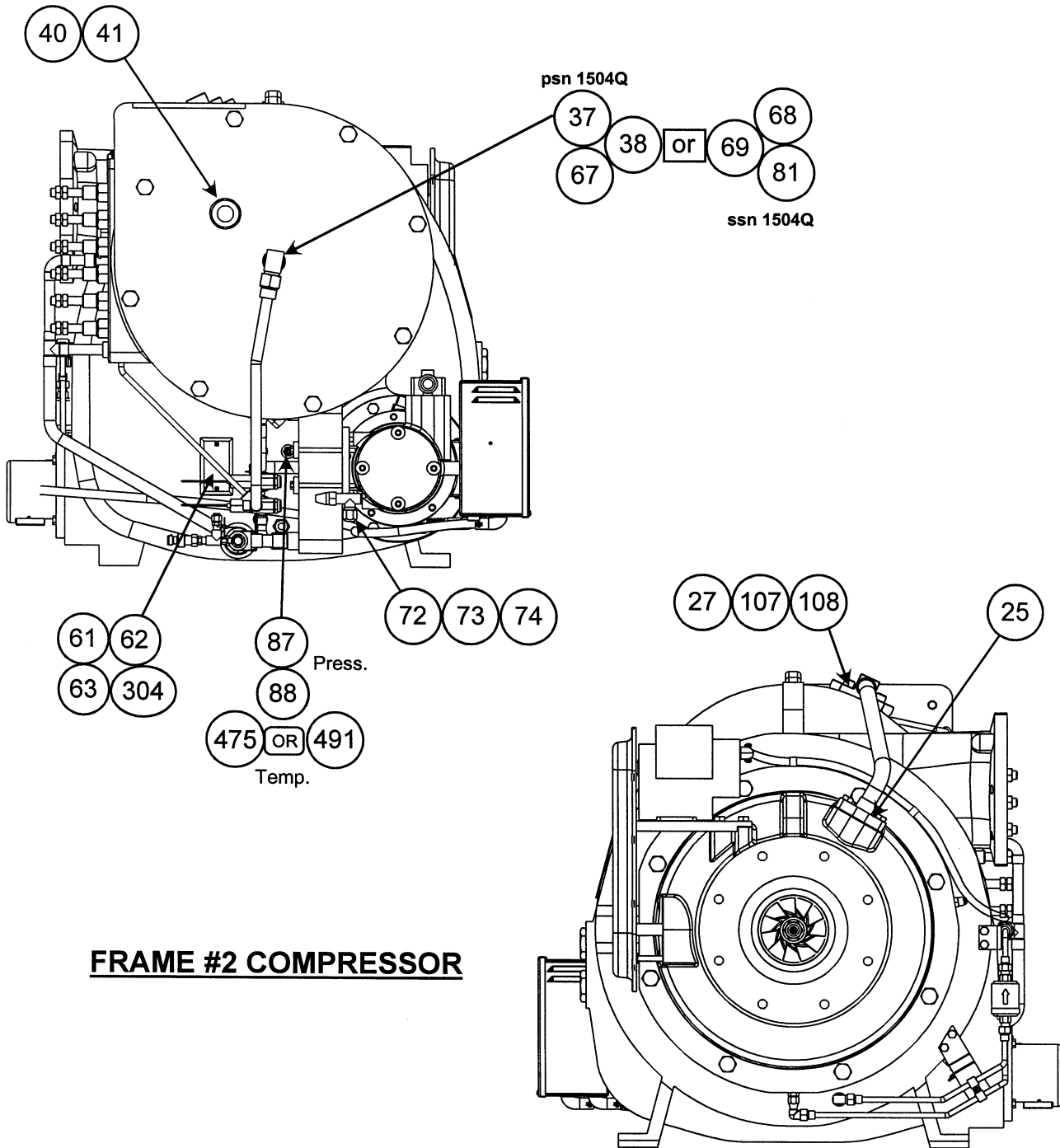


DETAIL A

FRAME #2 COMPRESSOR

SECTION B-B





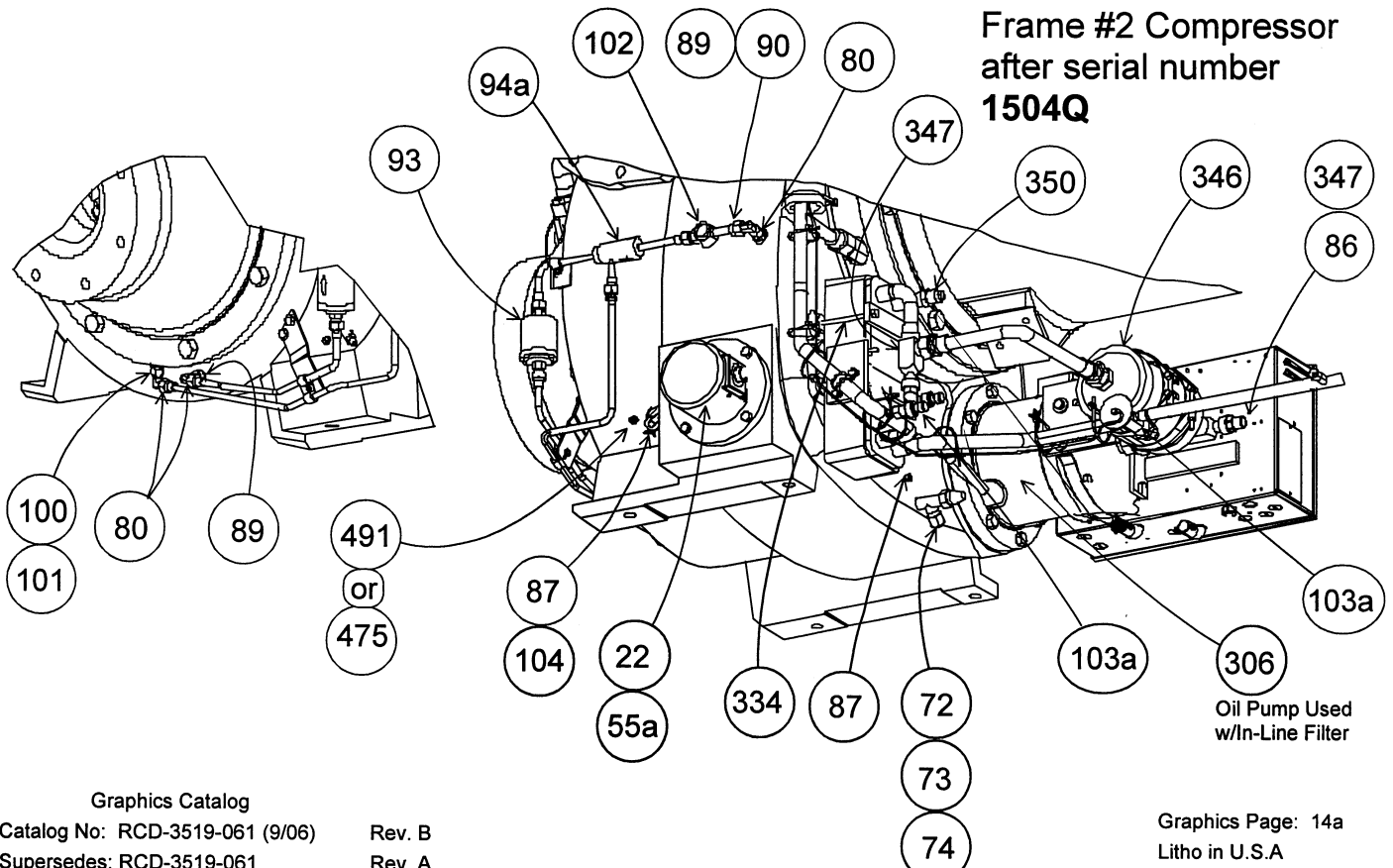
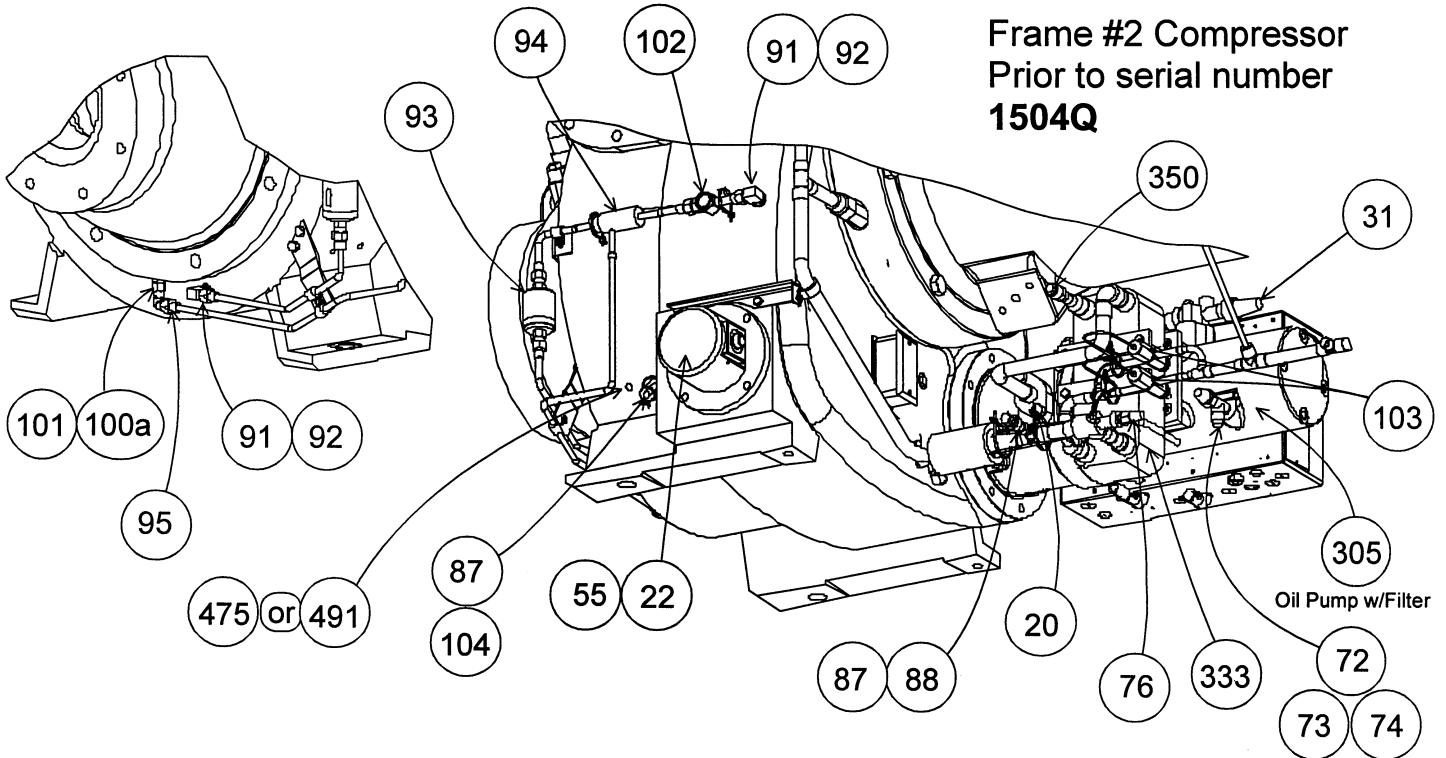
FRAME #2 COMPRESSOR

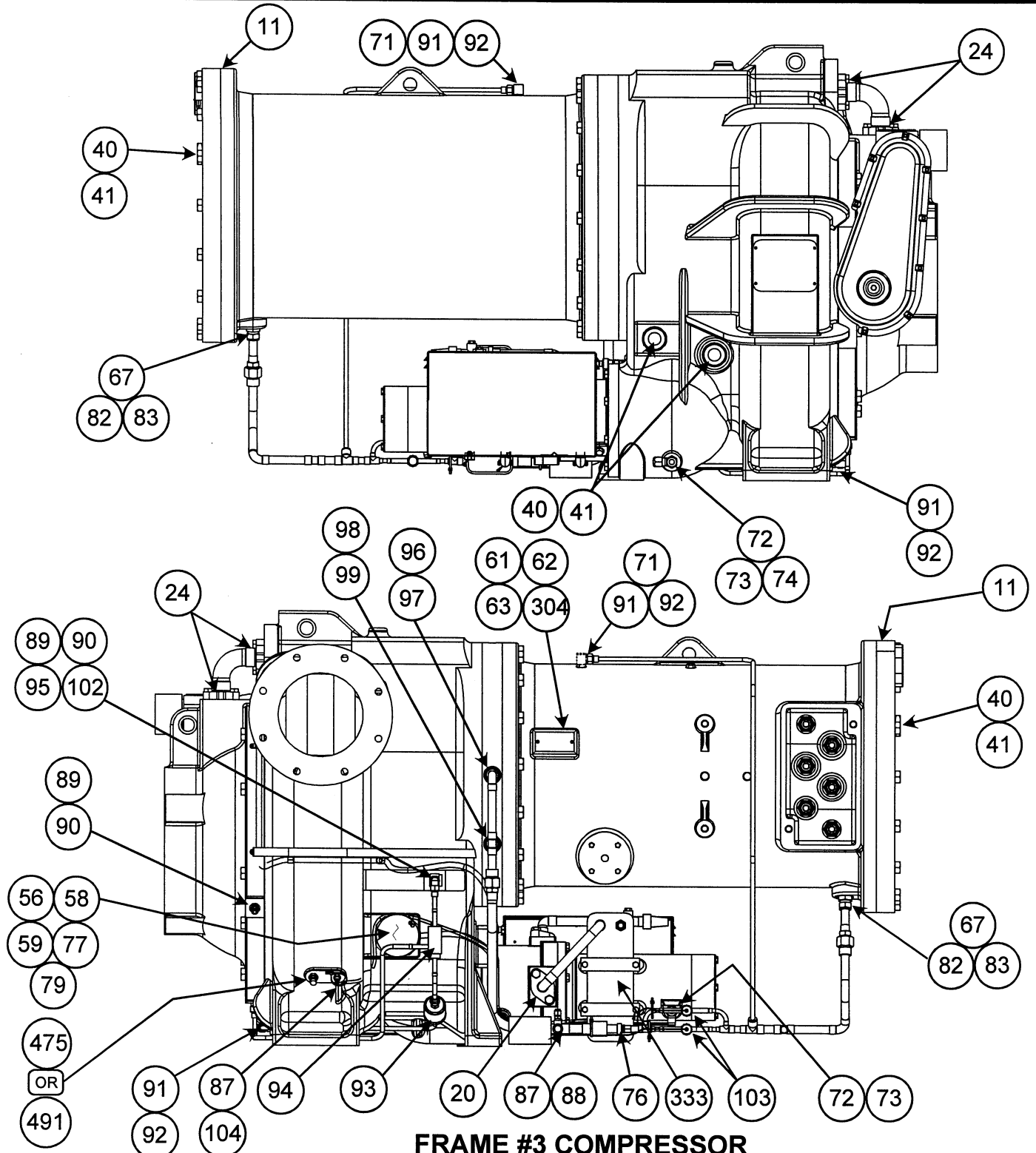
For Alternate Views of this Area Refer to
Page 14A (graphic 19061063)



**Centrifugal Liquid Chiller
(Includes 19XR & 19XRV Info.)
PIC I, PIC II, PIC III Controls**

19XR





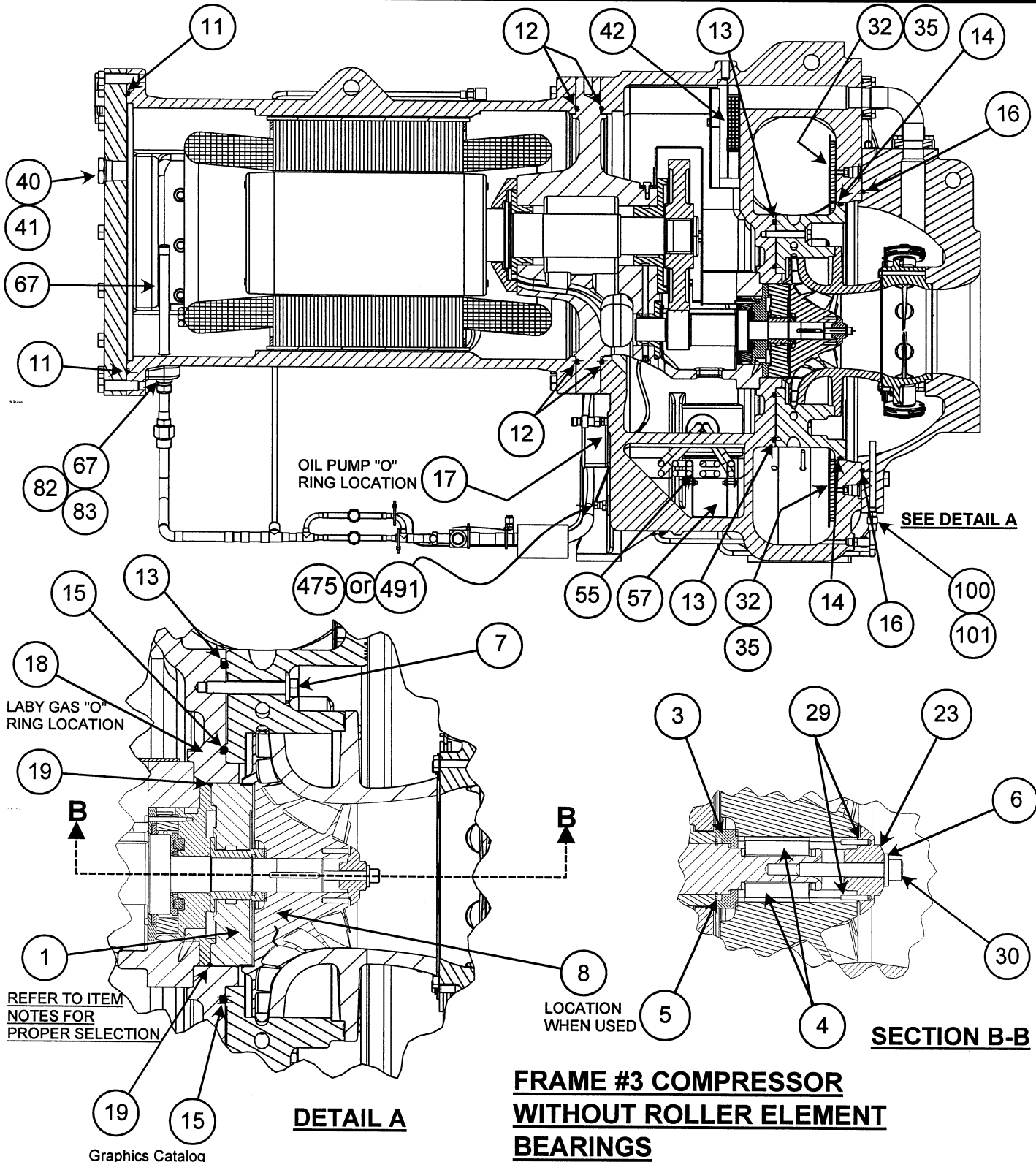
**FRAME #3 COMPRESSOR
WITHOUT ROLLER ELEMENT
BEARINGS**

Graphics Catalog
Catalog No: RCD-3519-061 (9/06)
Supersedes: RCD-3519-061

Rev. B
Rev. A

Graphics Page: 15
Litho in U.S.A

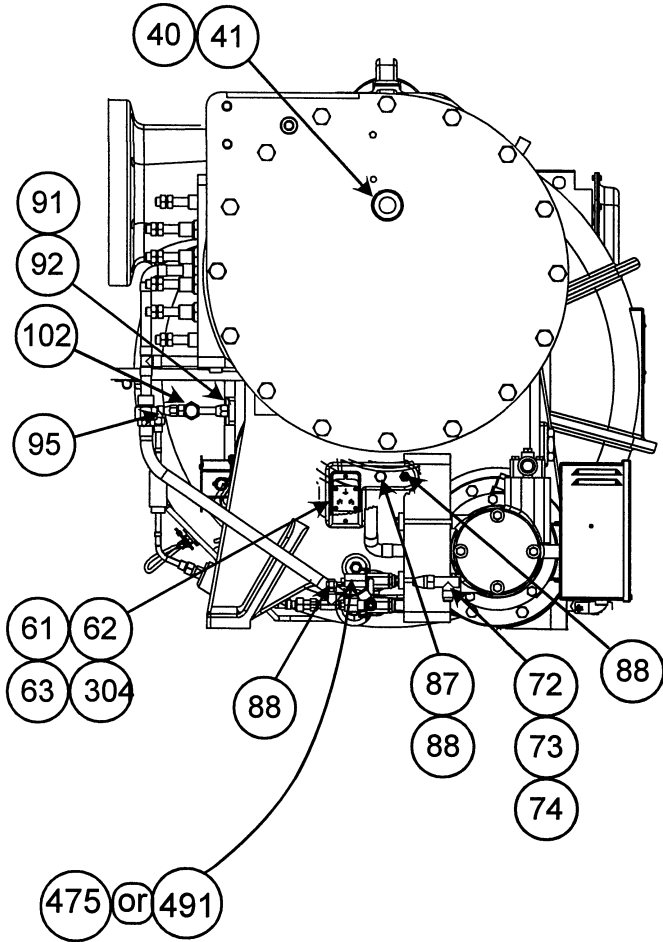




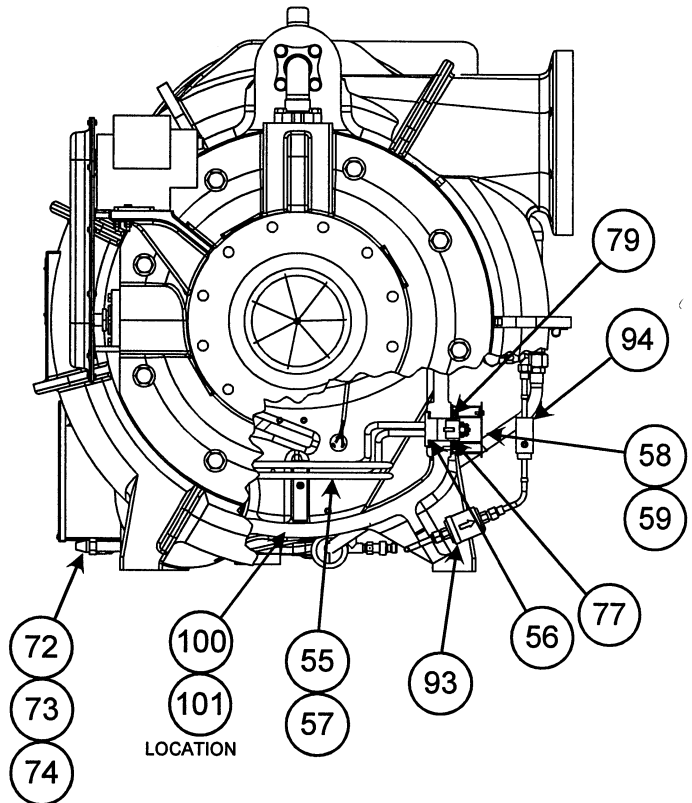
Graphics Catalog
Catalog No: RCD-3519-061 (9/06)
Supersedes: RCD-3519-061

Rev. B
Rev. A

Graphics Page: 16
Litho in U.S.A.

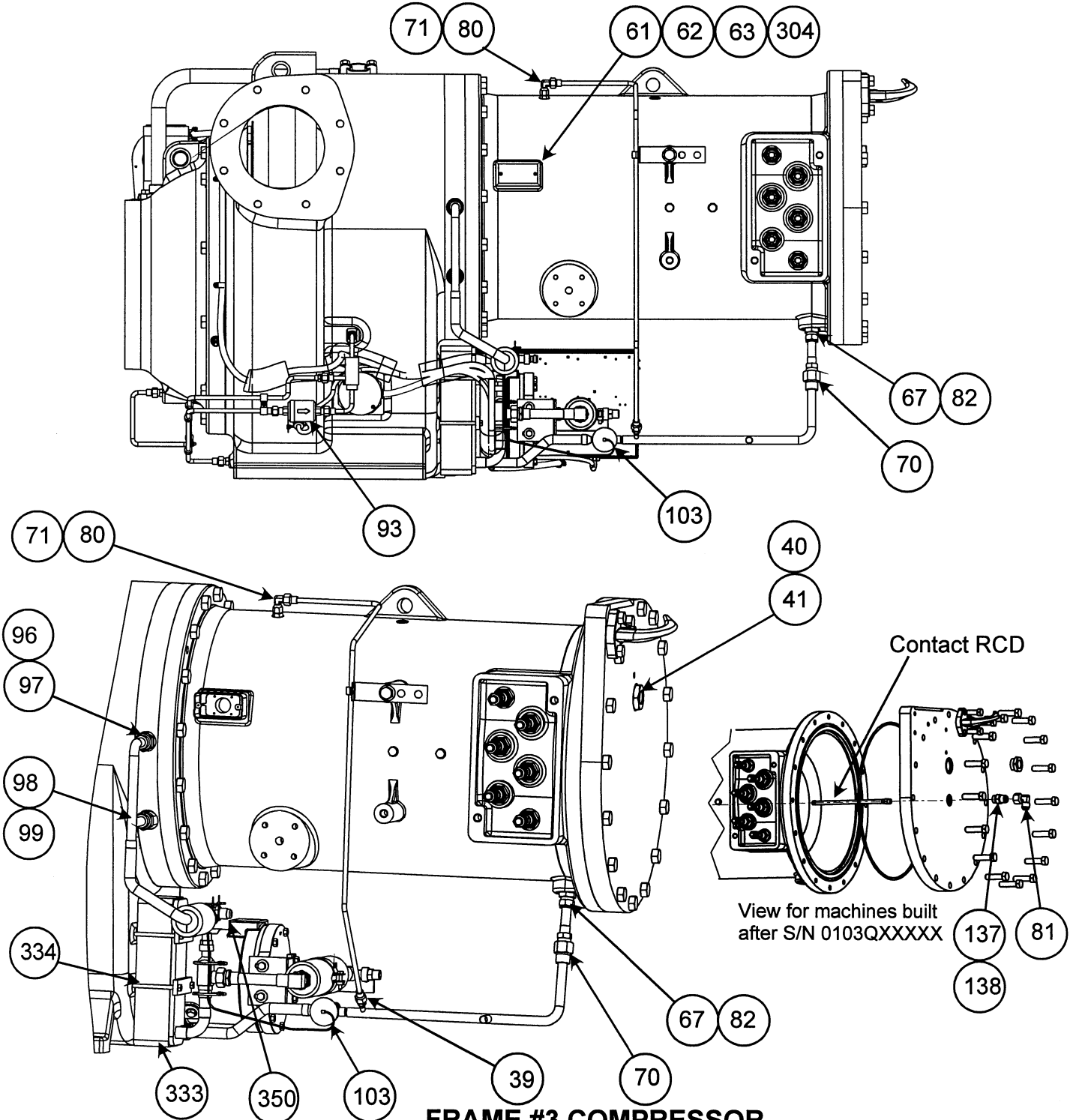


**FRAME #3 COMPRESSOR
WITHOUT ROLLER ELEMENT
BEARINGS**



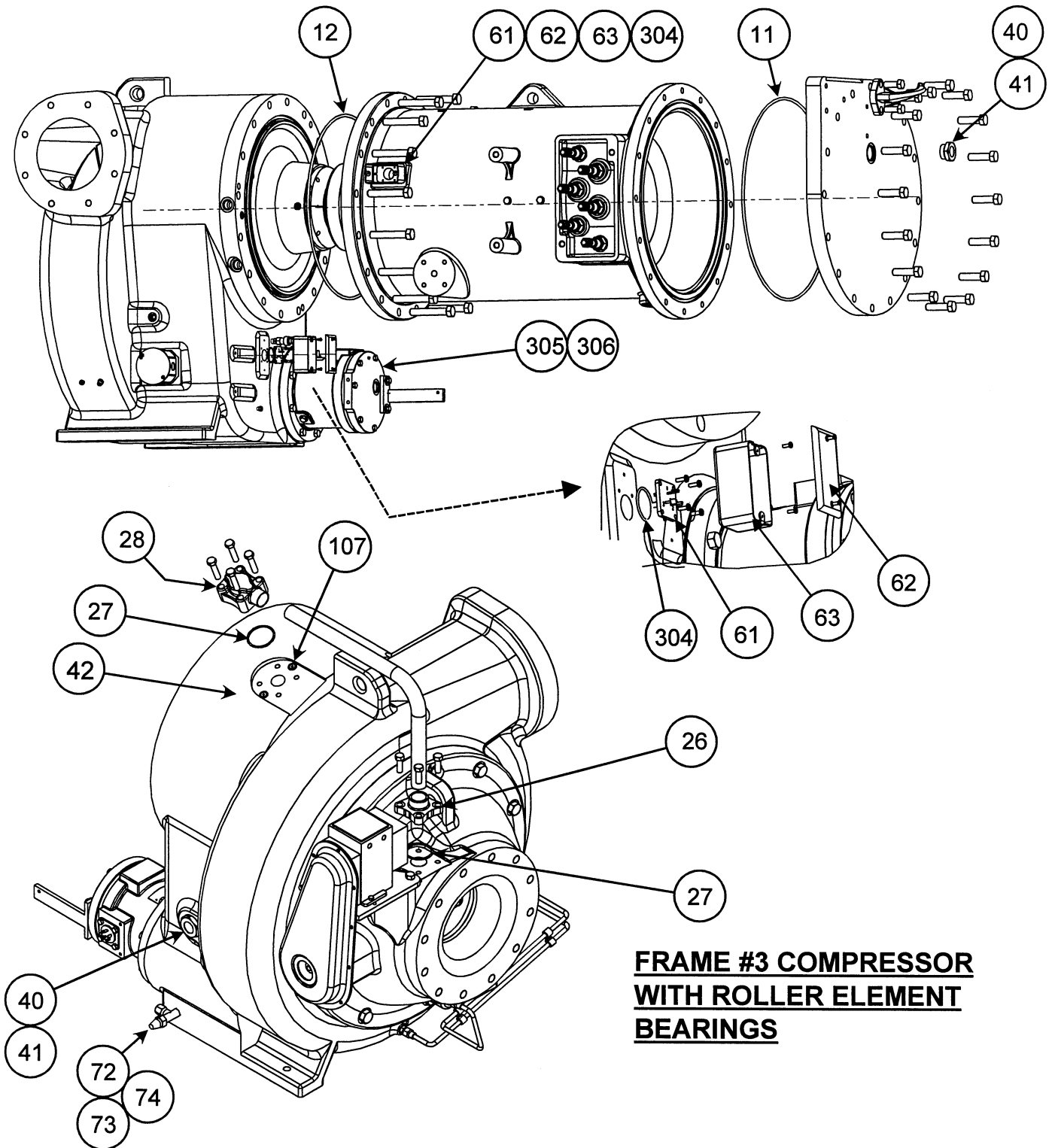
LOCATION





**FRAME #3 COMPRESSOR
WITH ROLLER ELEMENT
BEARINGS**



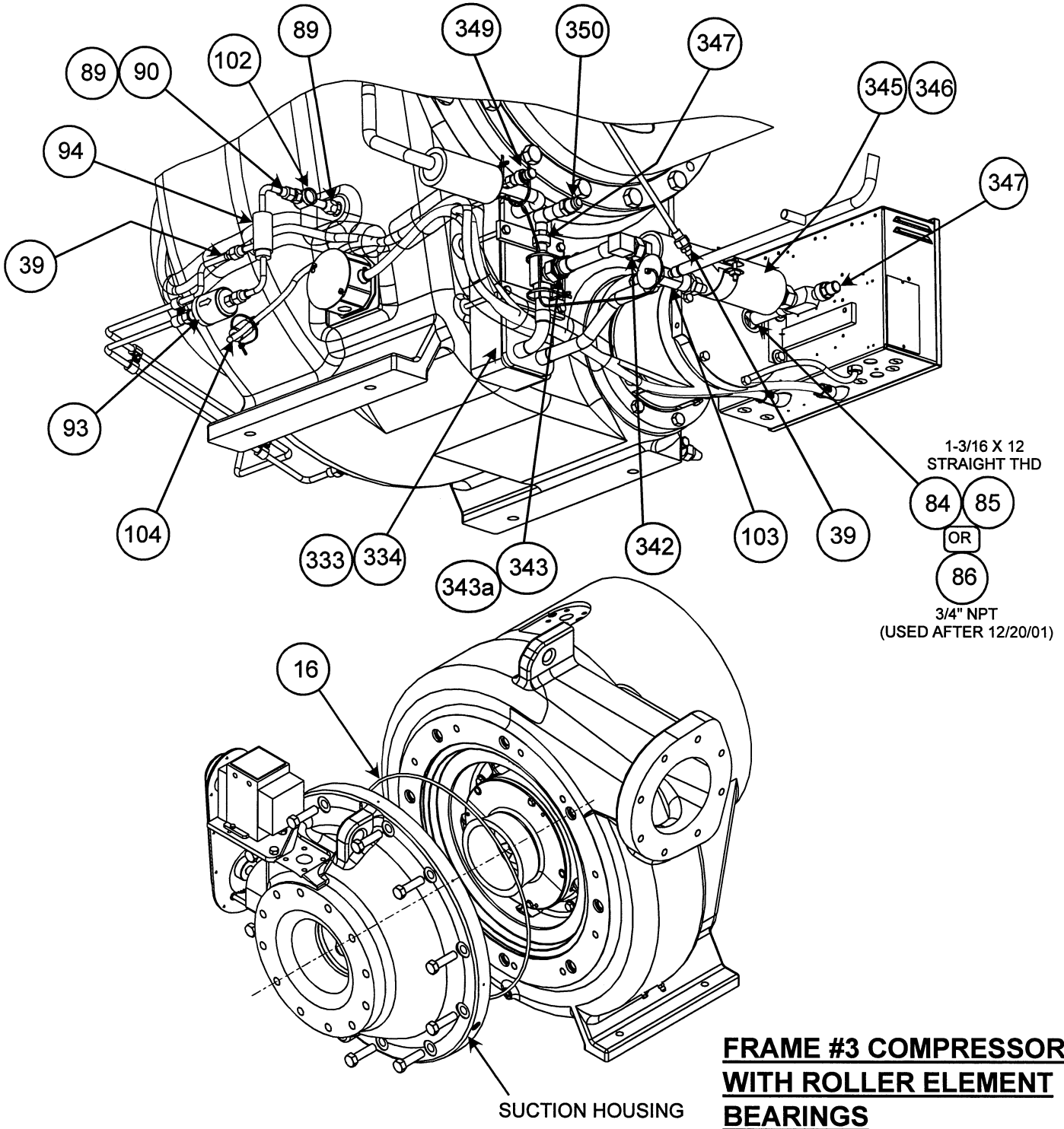


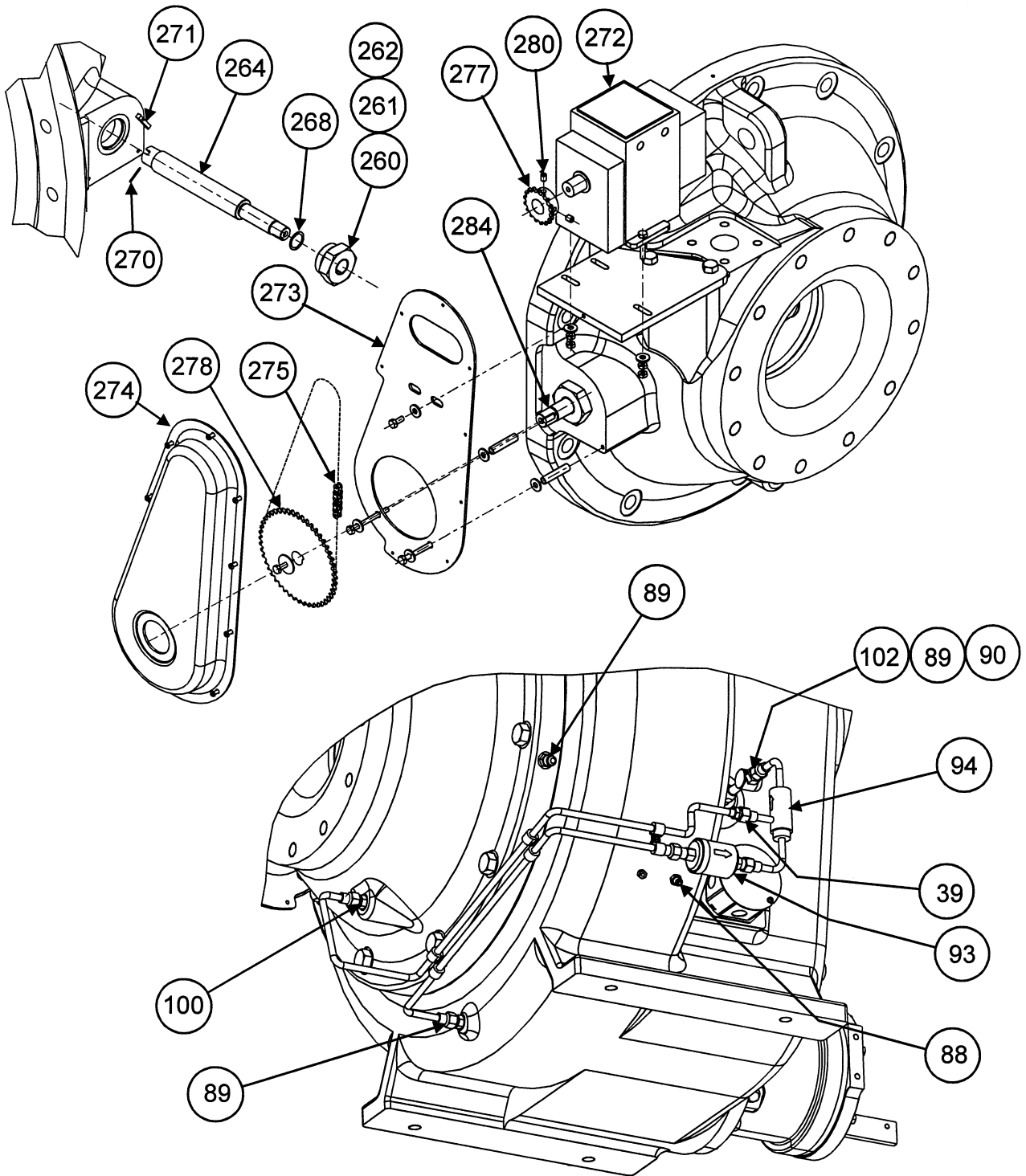
**FRAME #3 COMPRESSOR
WITH ROLLER ELEMENT
BEARINGS**



**Centrifugal Liquid Chiller
(Includes 19XR & 19XRV Info.)
PIC I, PIC II, PIC III Controls**

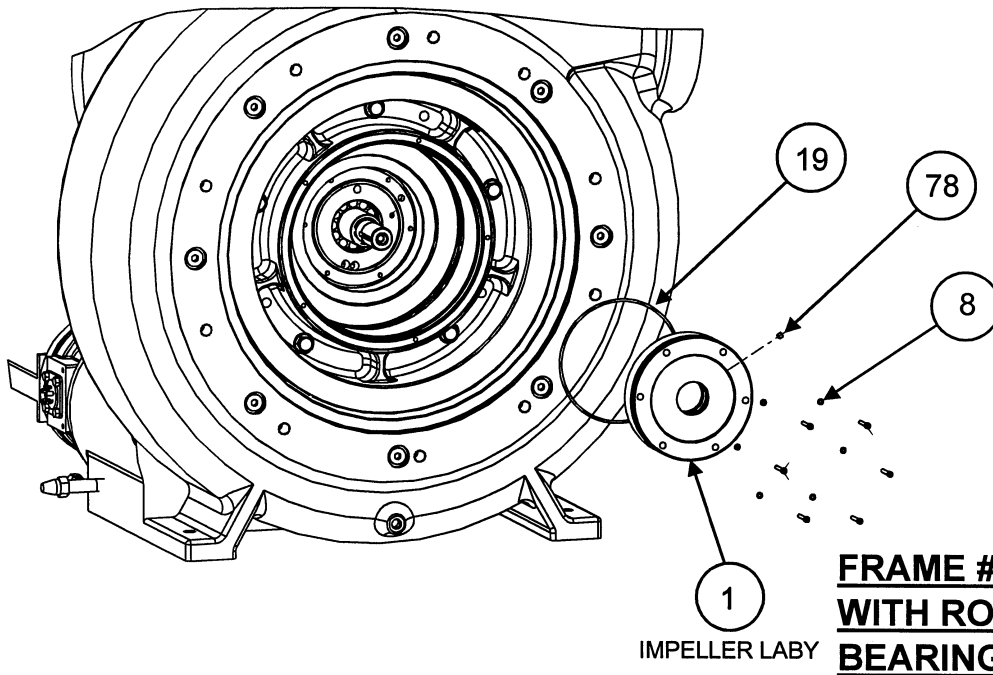
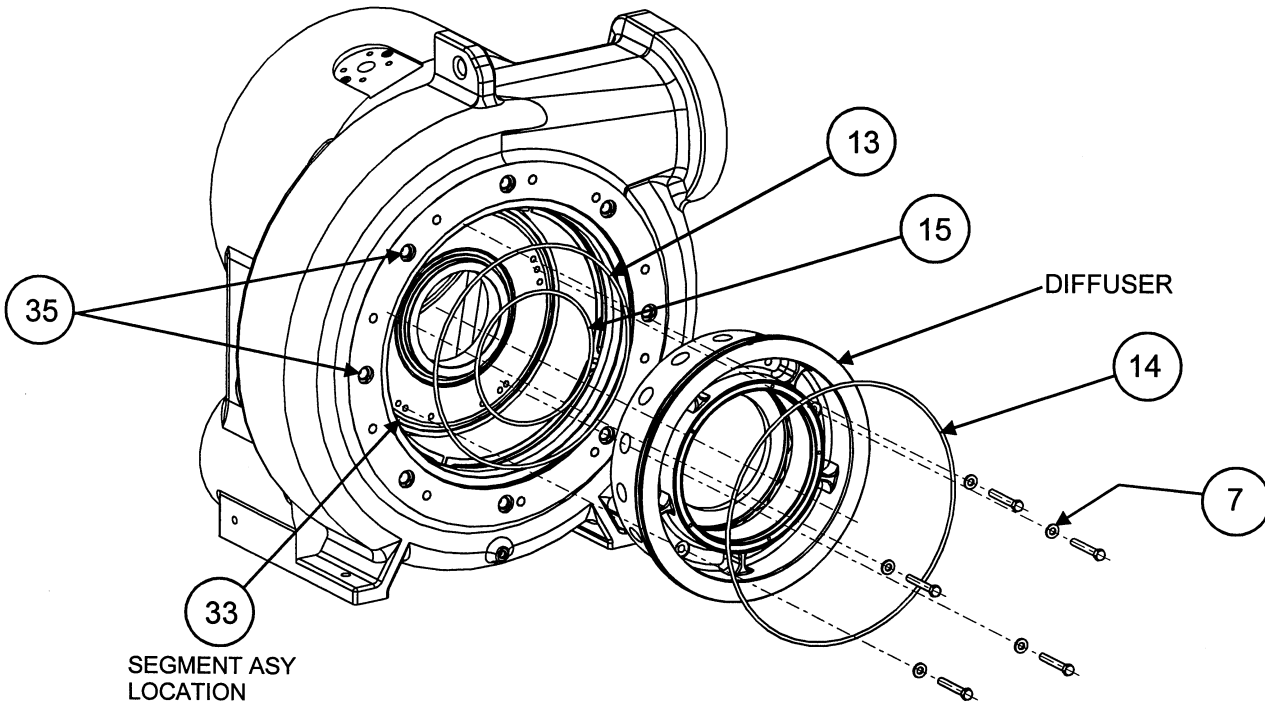
19XR

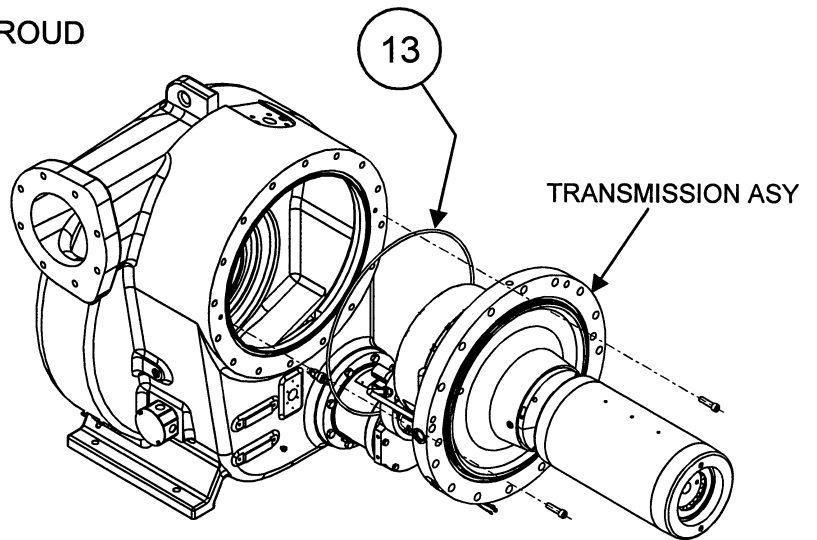
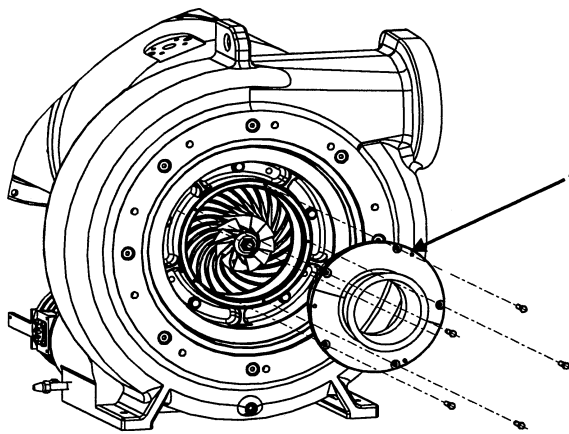
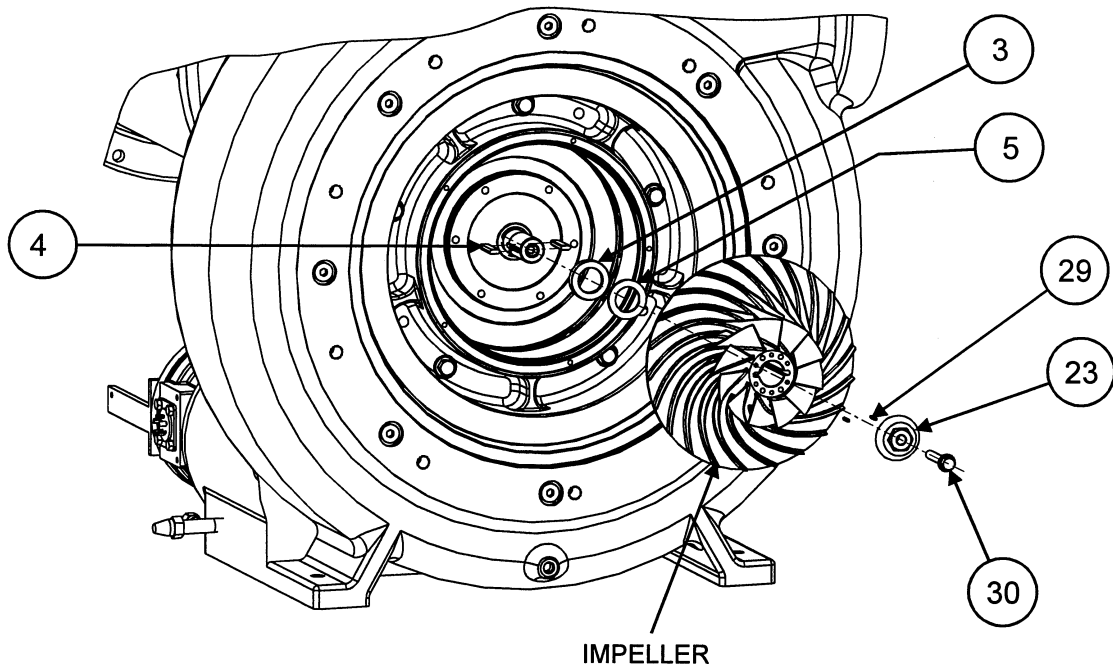




**FRAME #3 COMPRESSOR
WITH ROLLER ELEMENT
BEARINGS**

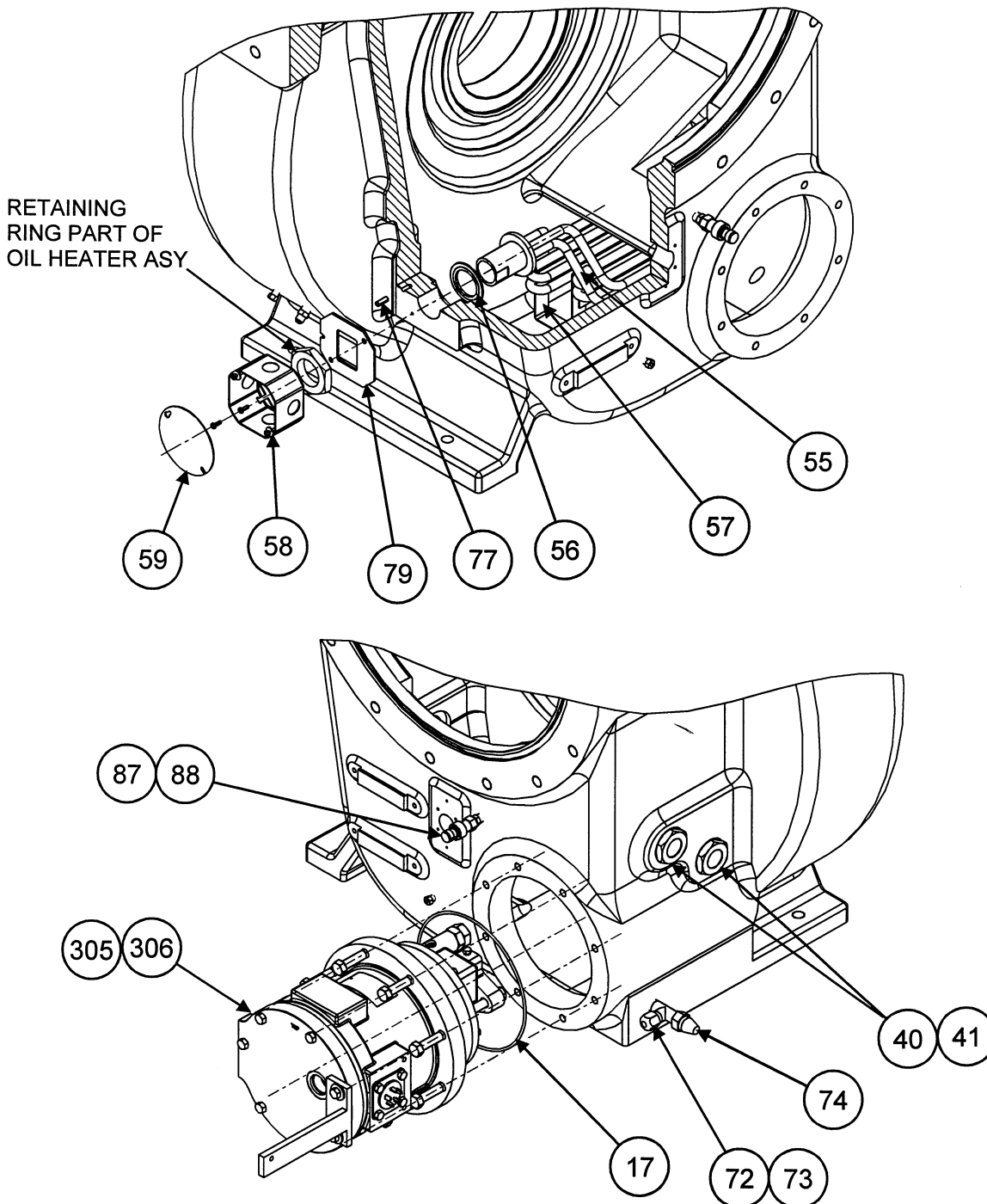






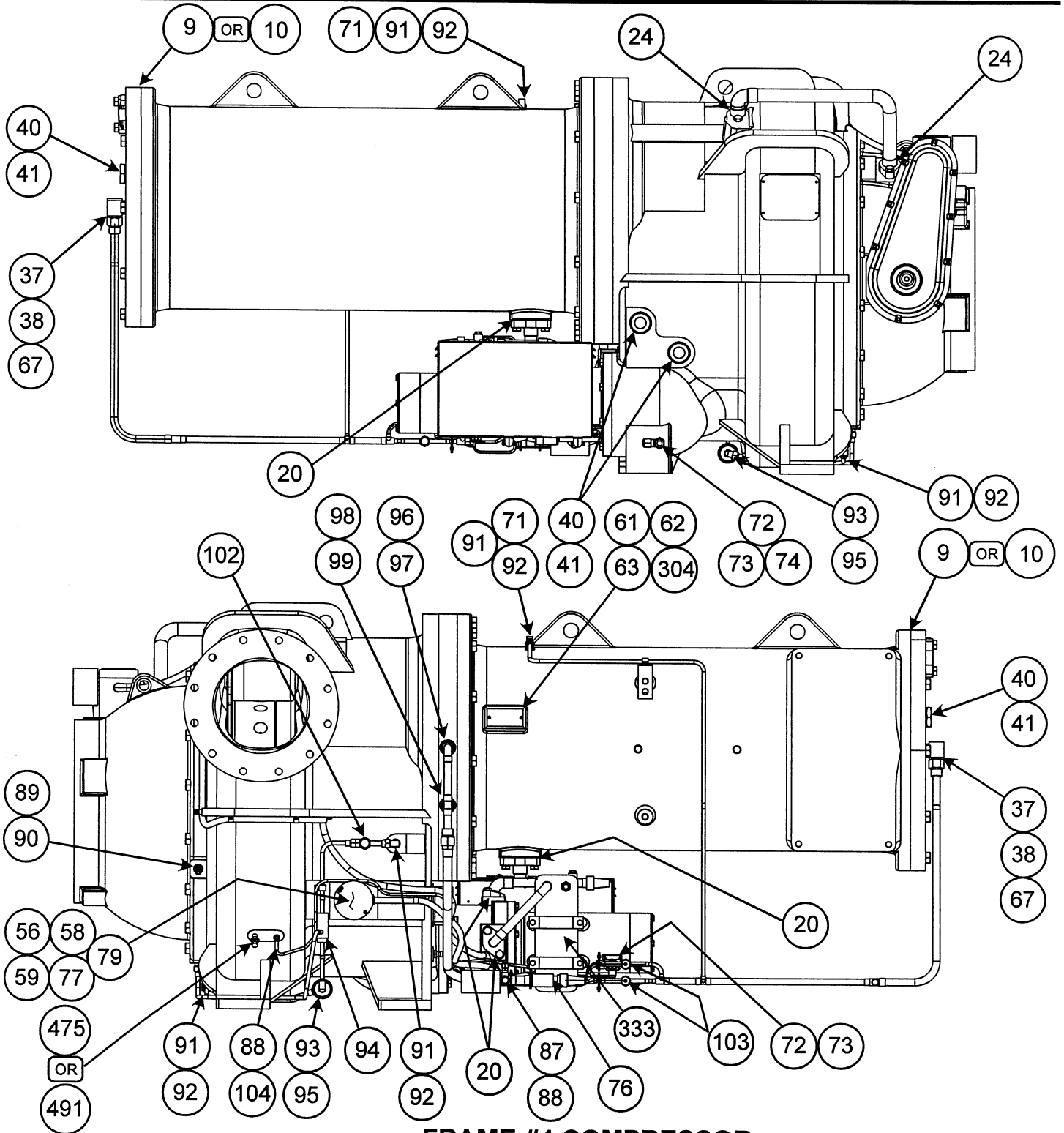
**FRAME #3 COMPRESSOR
WITH ROLLER ELEMENT
BEARINGS**





**FRAME #3 COMPRESSOR
WITH ROLLER ELEMENT
BEARINGS**





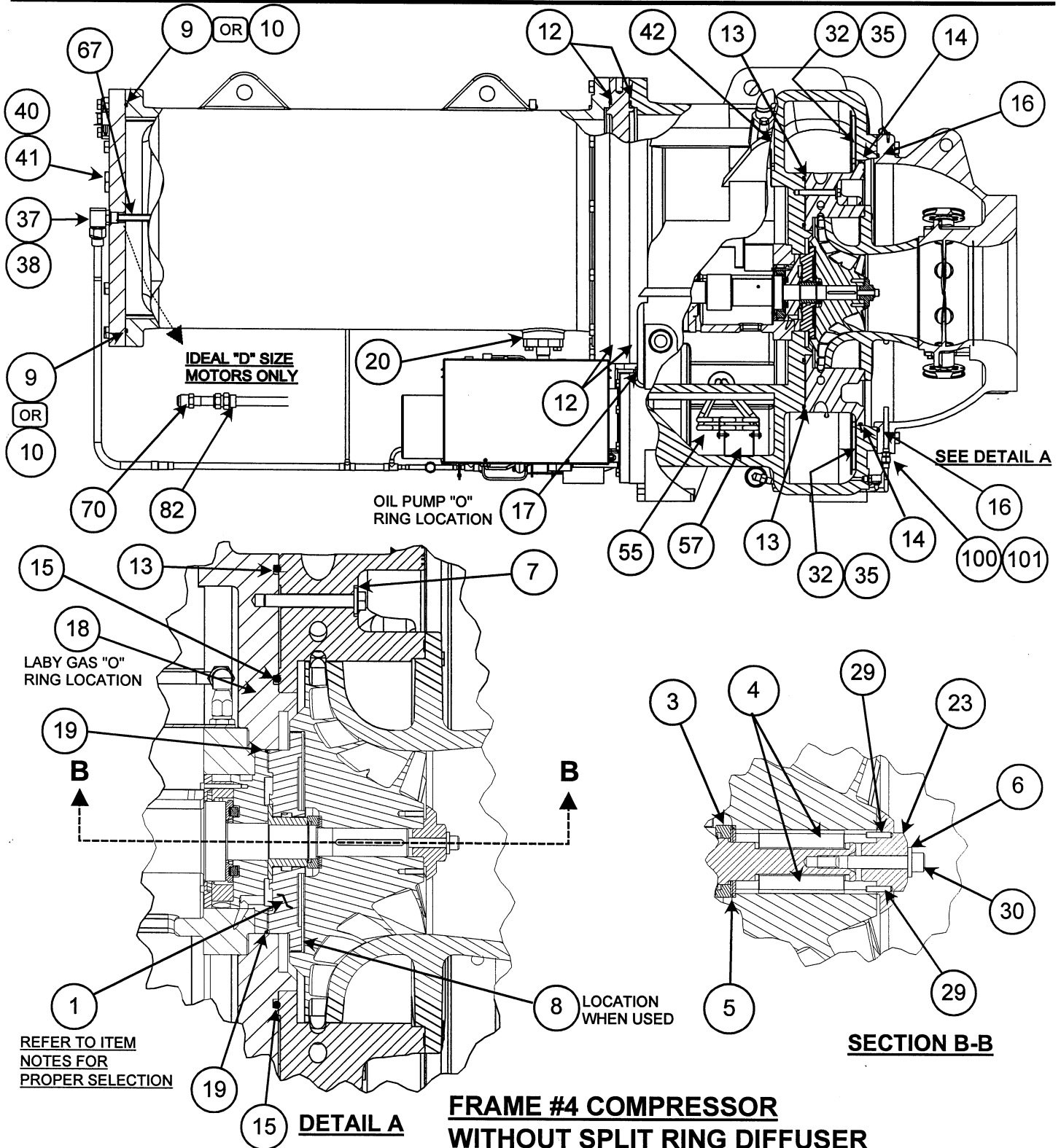
**FRAME #4 COMPRESSOR
WITHOUT SPLIT RING DIFFUSER
BUILT PRIOR TO JAN. 2002**

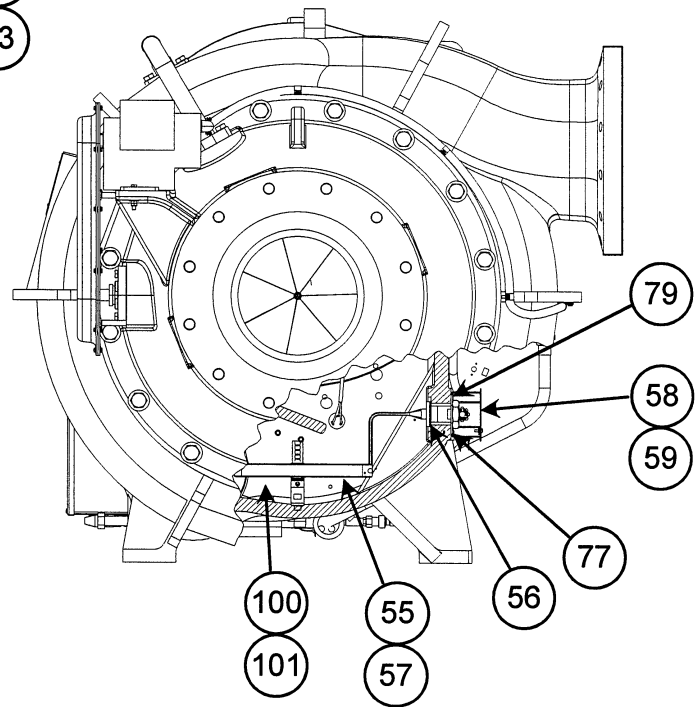
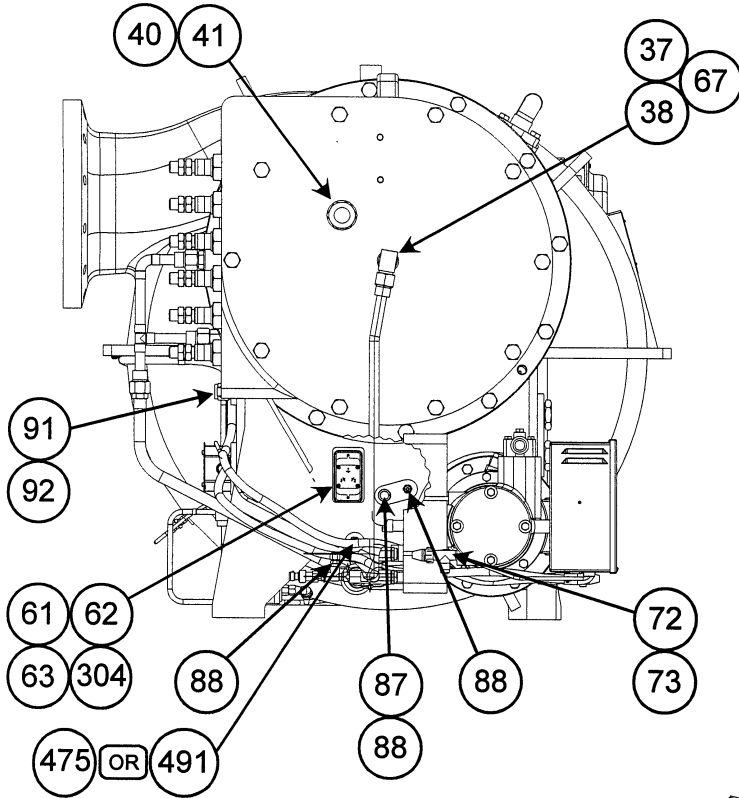
Graphics Catalog
Catalog No: RCD-3519-061 (9/06)
Supersedes: RCD-3519-061

Rev. B
Rev. A

Graphics Page: 25
Litho in U.S.A



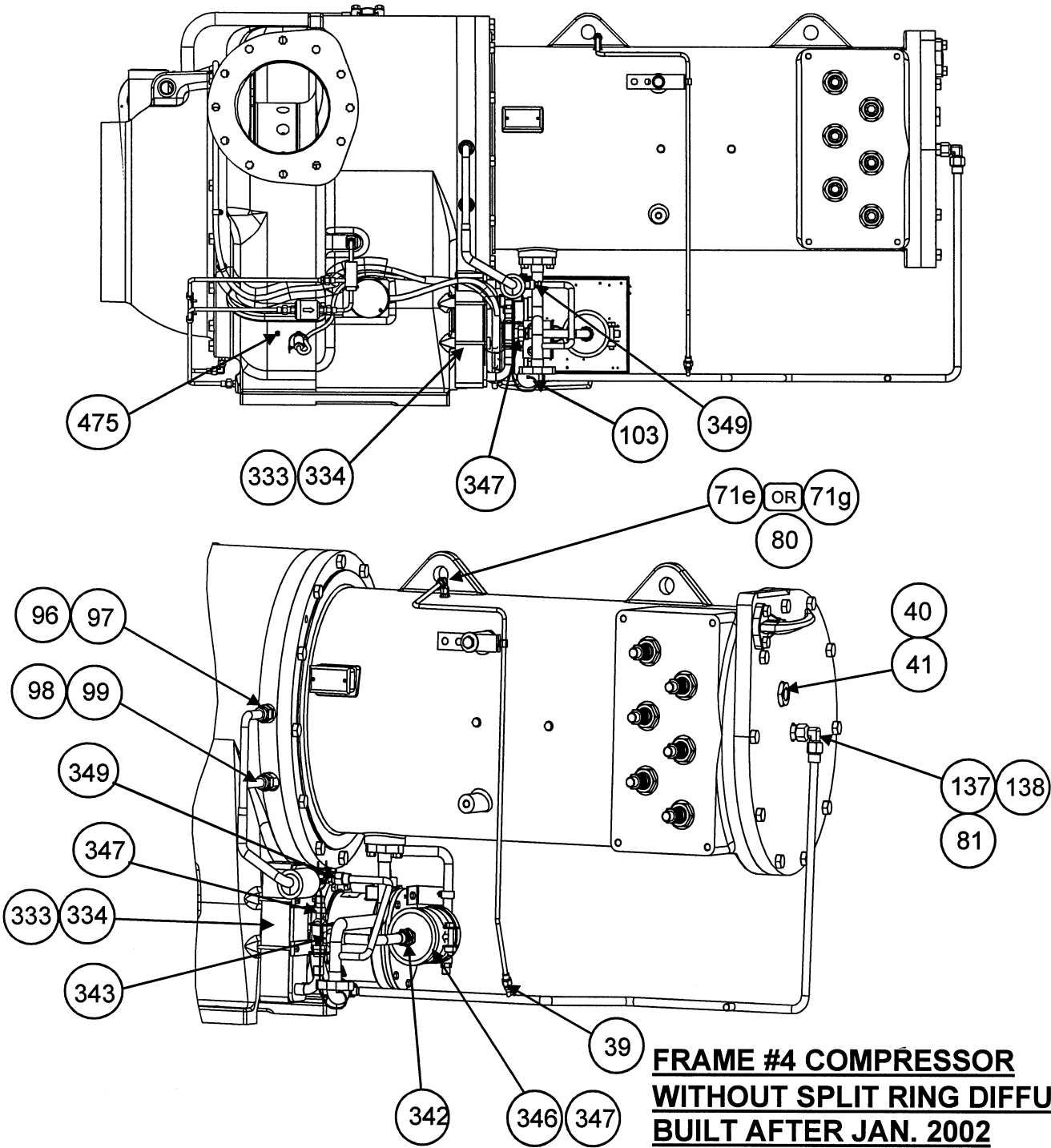


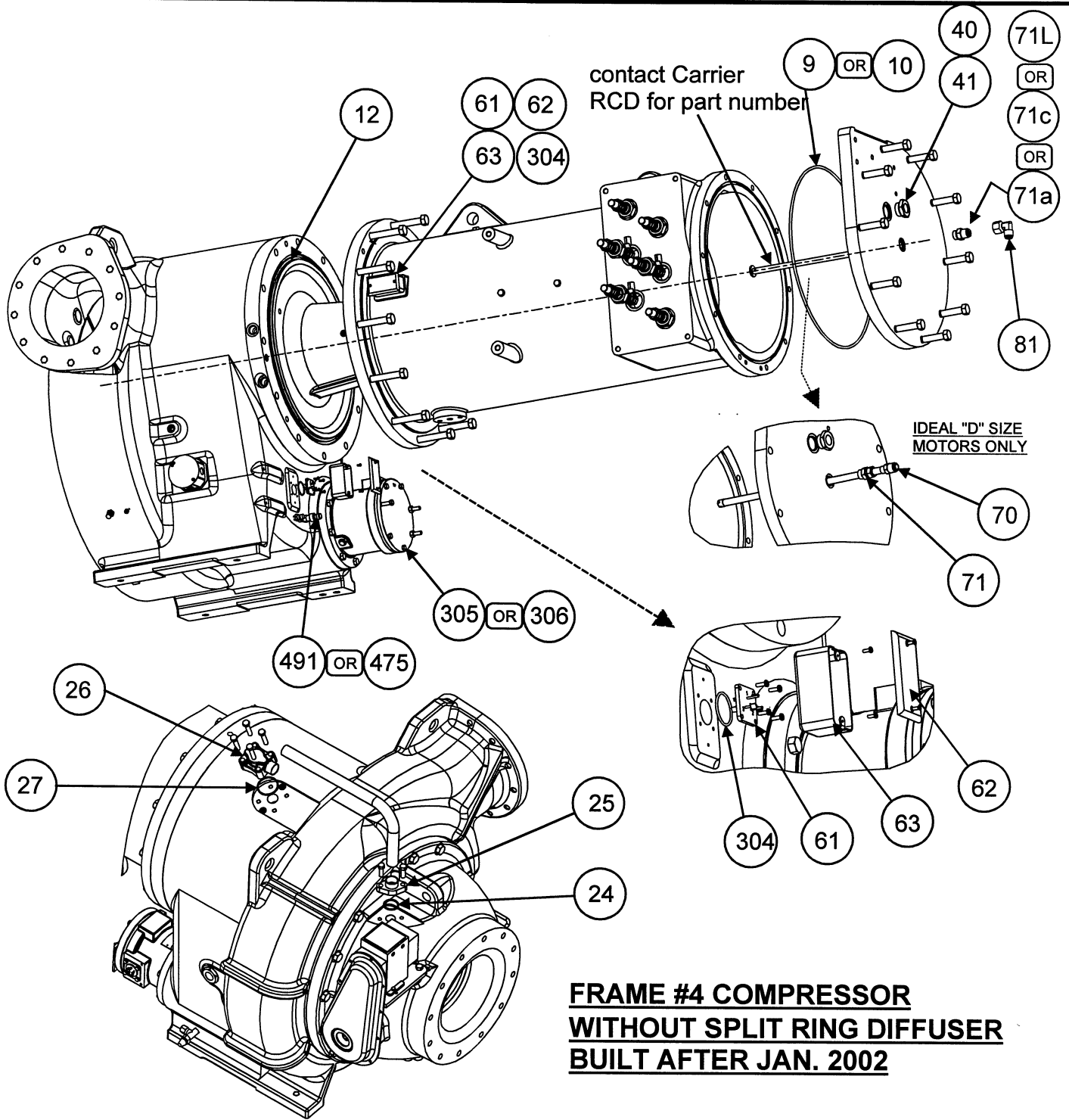


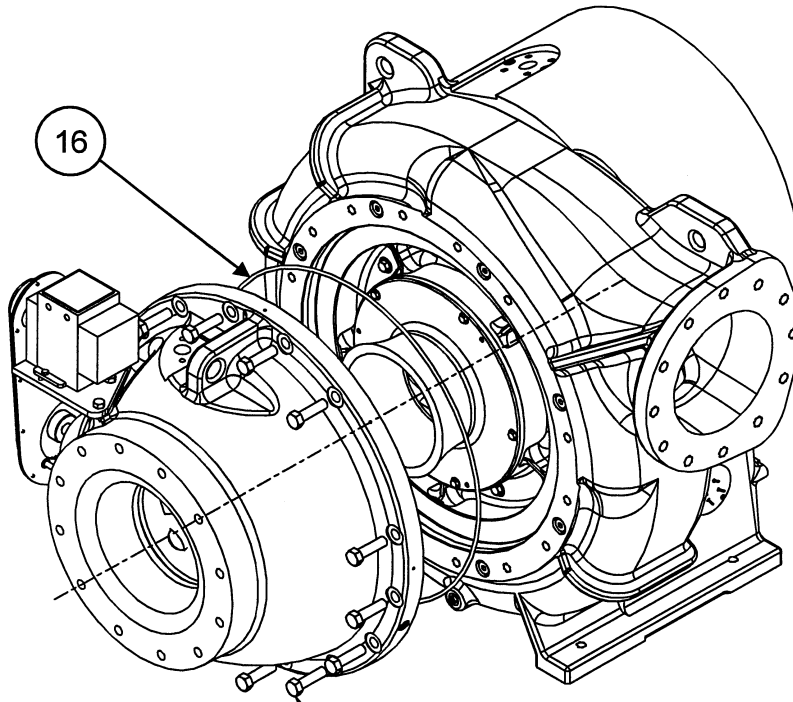
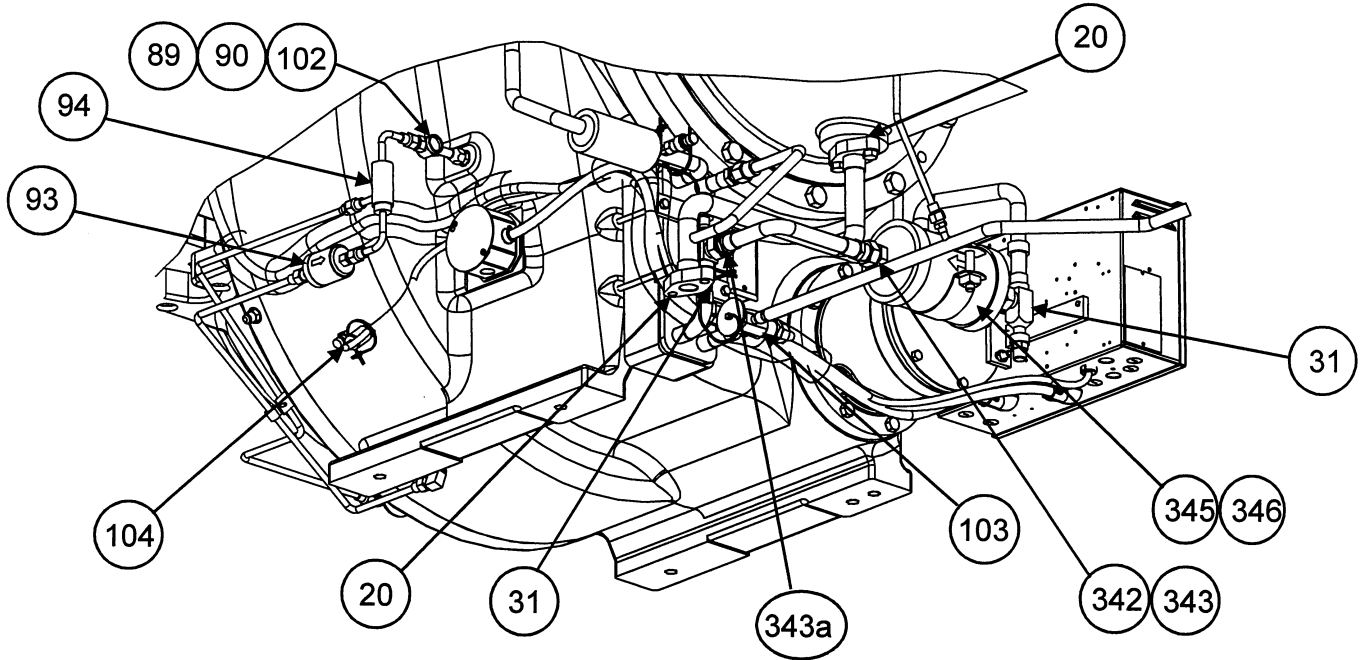
LOCATION

FRAME #4 COMPRESSOR
WITHOUT SPLIT RING DIFFUSER
BUILT PRIOR TO JAN. 2002

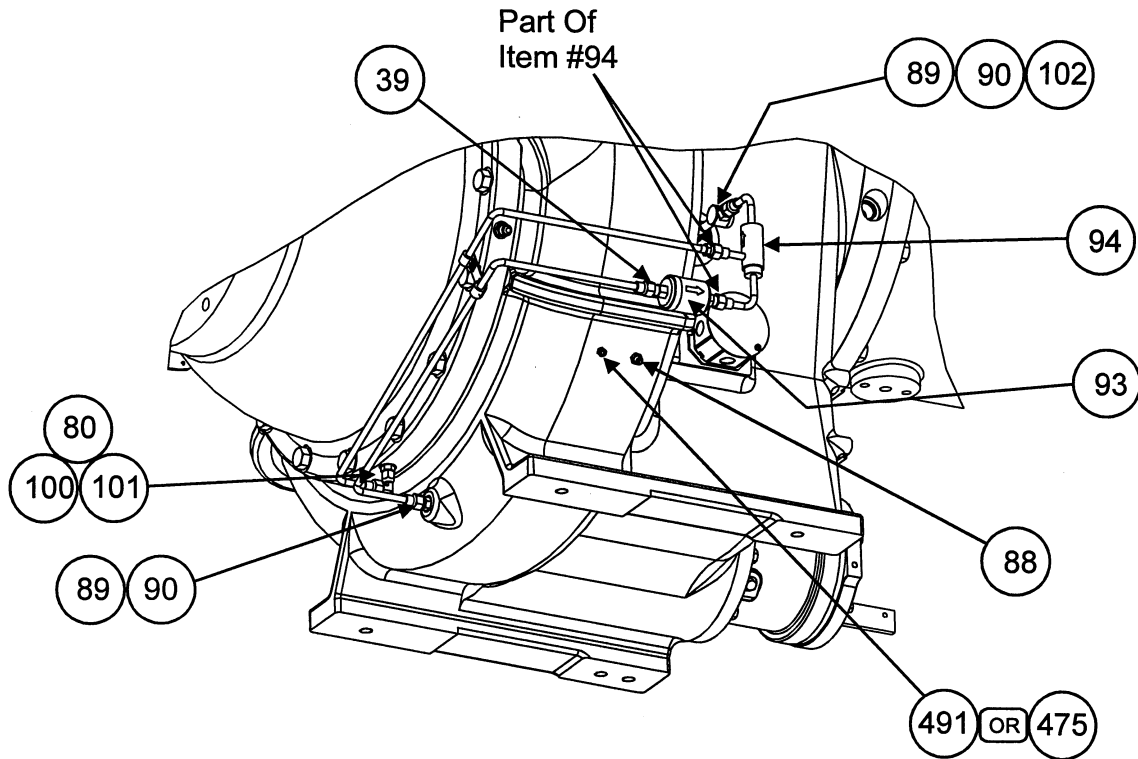




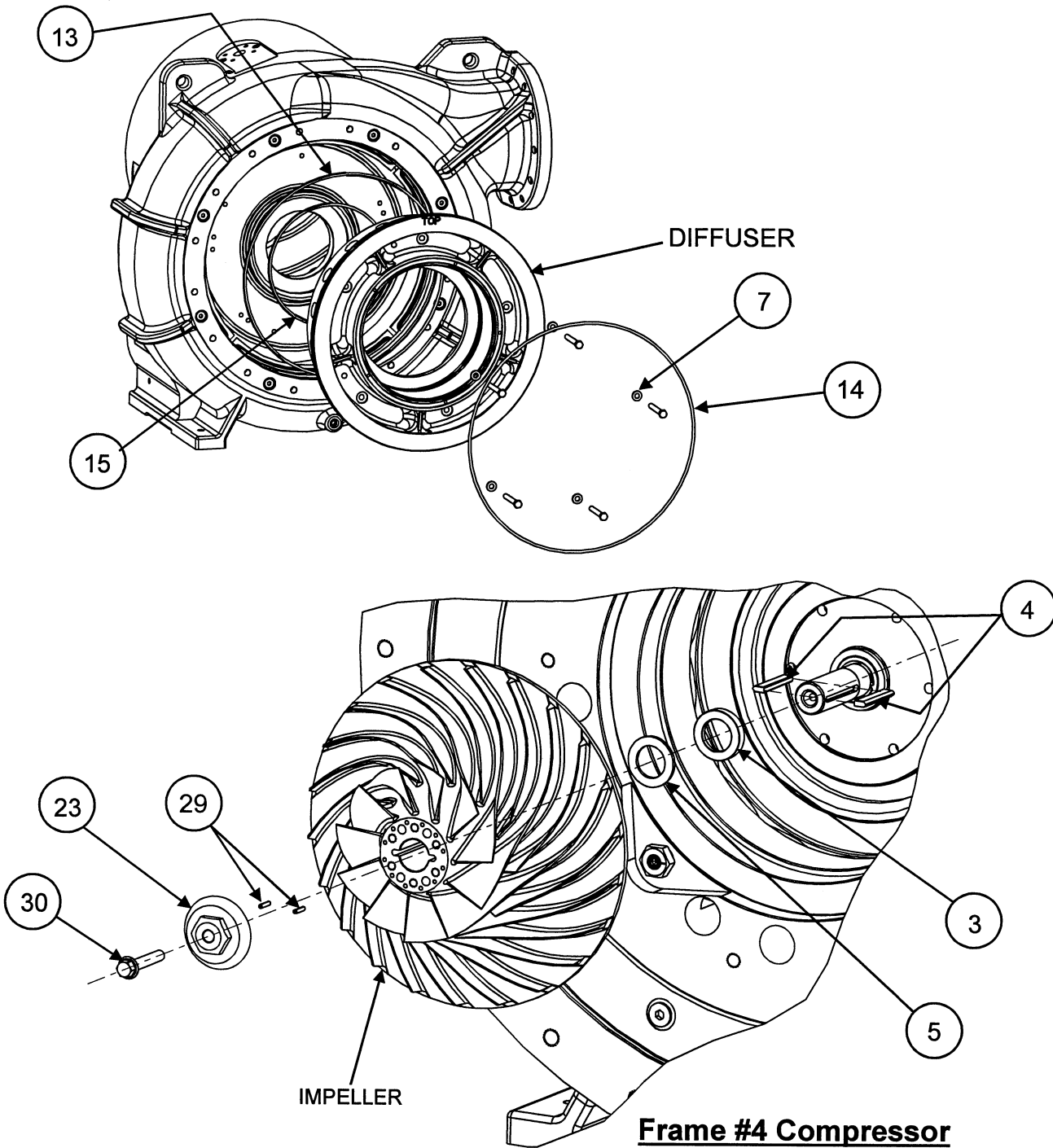




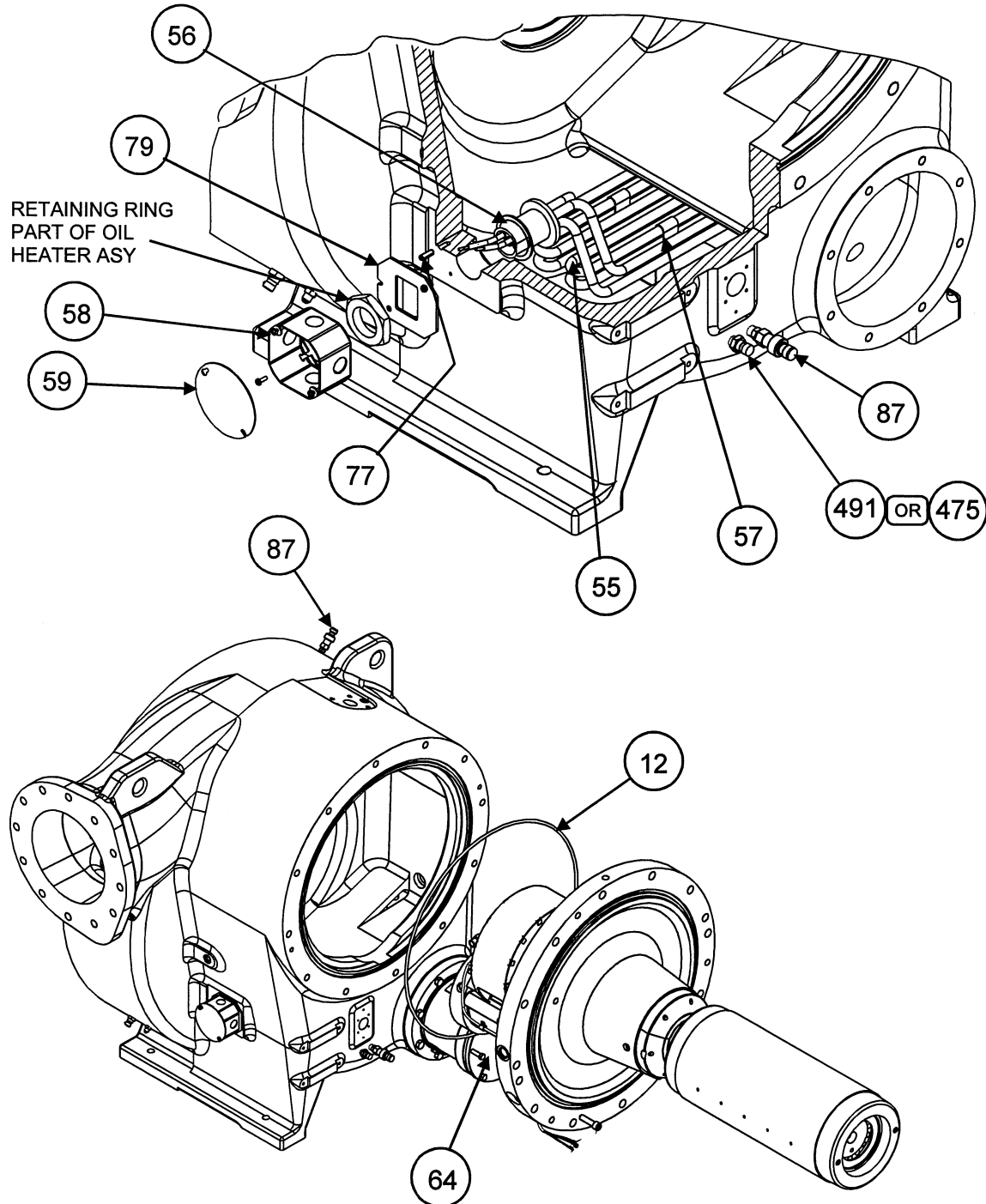
FRAME #4 COMPRESSOR
WITHOUT SPLIT RING DIFFUSER
BUILT AFTER JAN. 2002



**FRAME #4 COMPRESSOR
WITHOUT SPLIT RING DIFFUSER
BUILT AFTER JAN. 2002**



Frame #4 Compressor
Without Split Ring Diffuser
Built After January, 2002



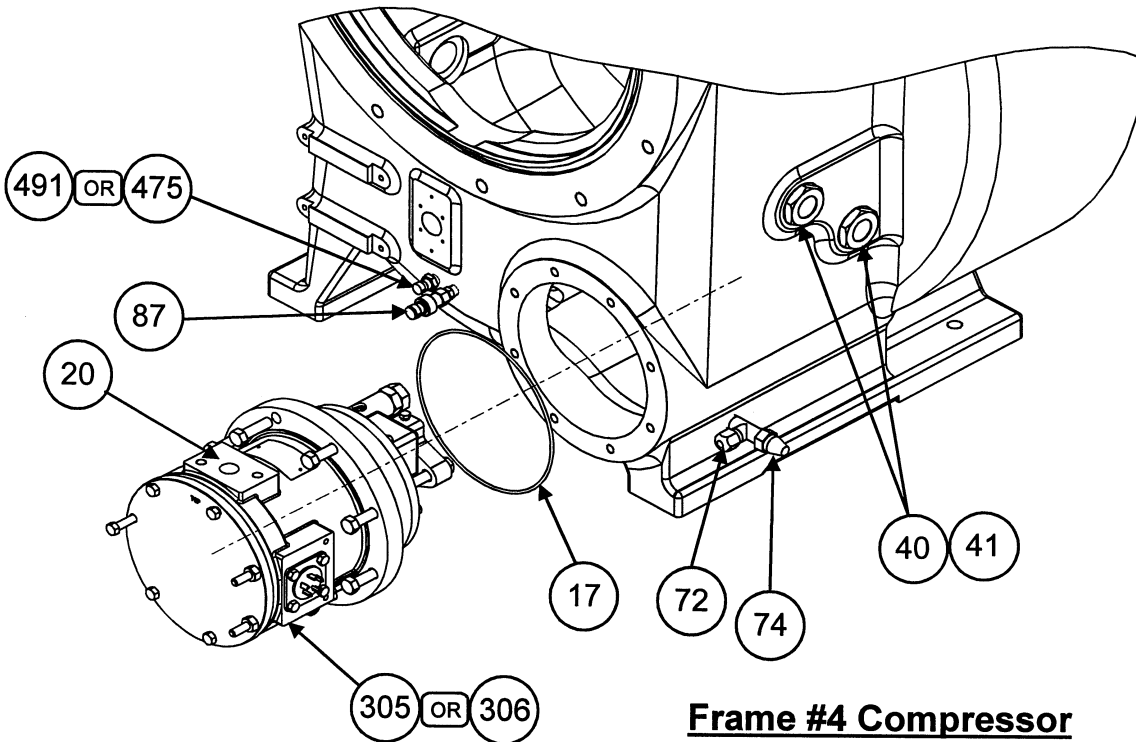
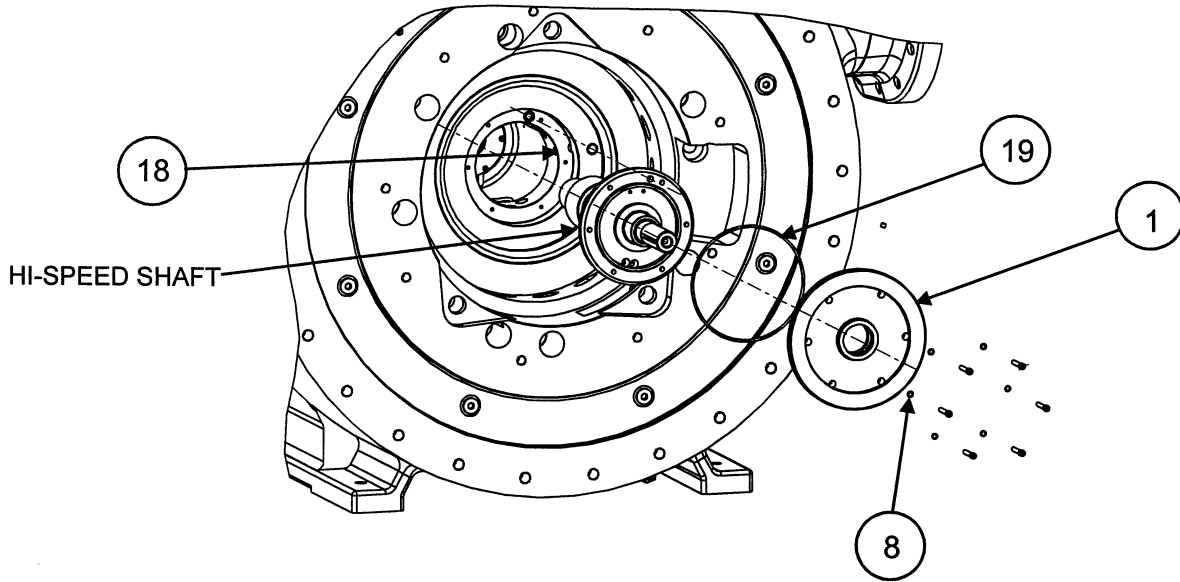
**Frame #4 Compressor
Without Split Ring Diffuser
Built After January, 2002**

Graphics Catalog
Catalog No: RCD-3519-061 (9/06)
Supersedes: RCD-3519-061

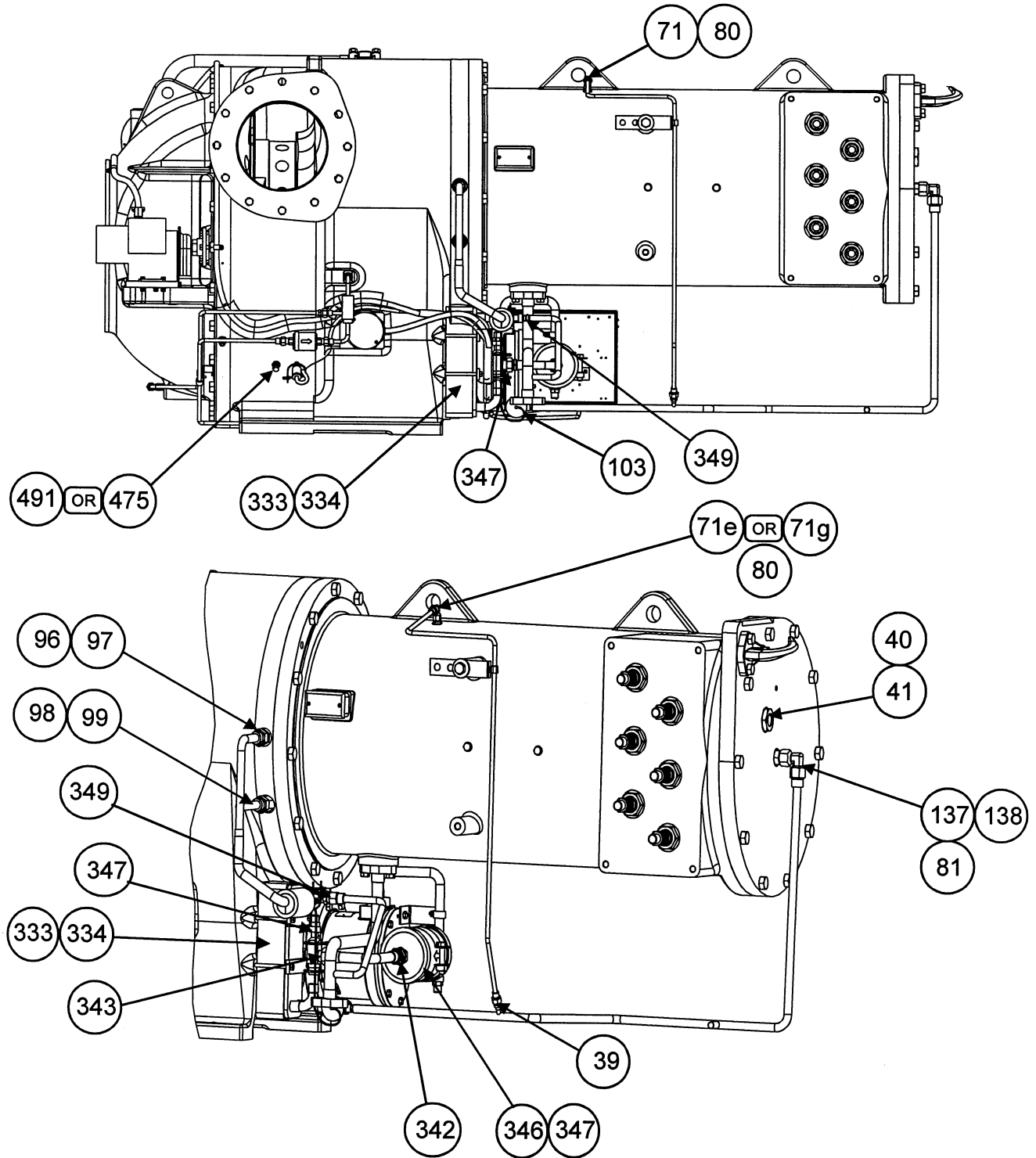
Rev. B
Rev. A

Graphics Page: 33
Litho in U.S.A





**Frame #4 Compressor
Without Split Ring Diffuser
Built After January, 2002**



**Frame #4 Compressor
With Split Ring Diffuser**

Graphics Catalog
Catalog No: RCD-3519-061 (9/06)
Supersedes: RCD-3519-061

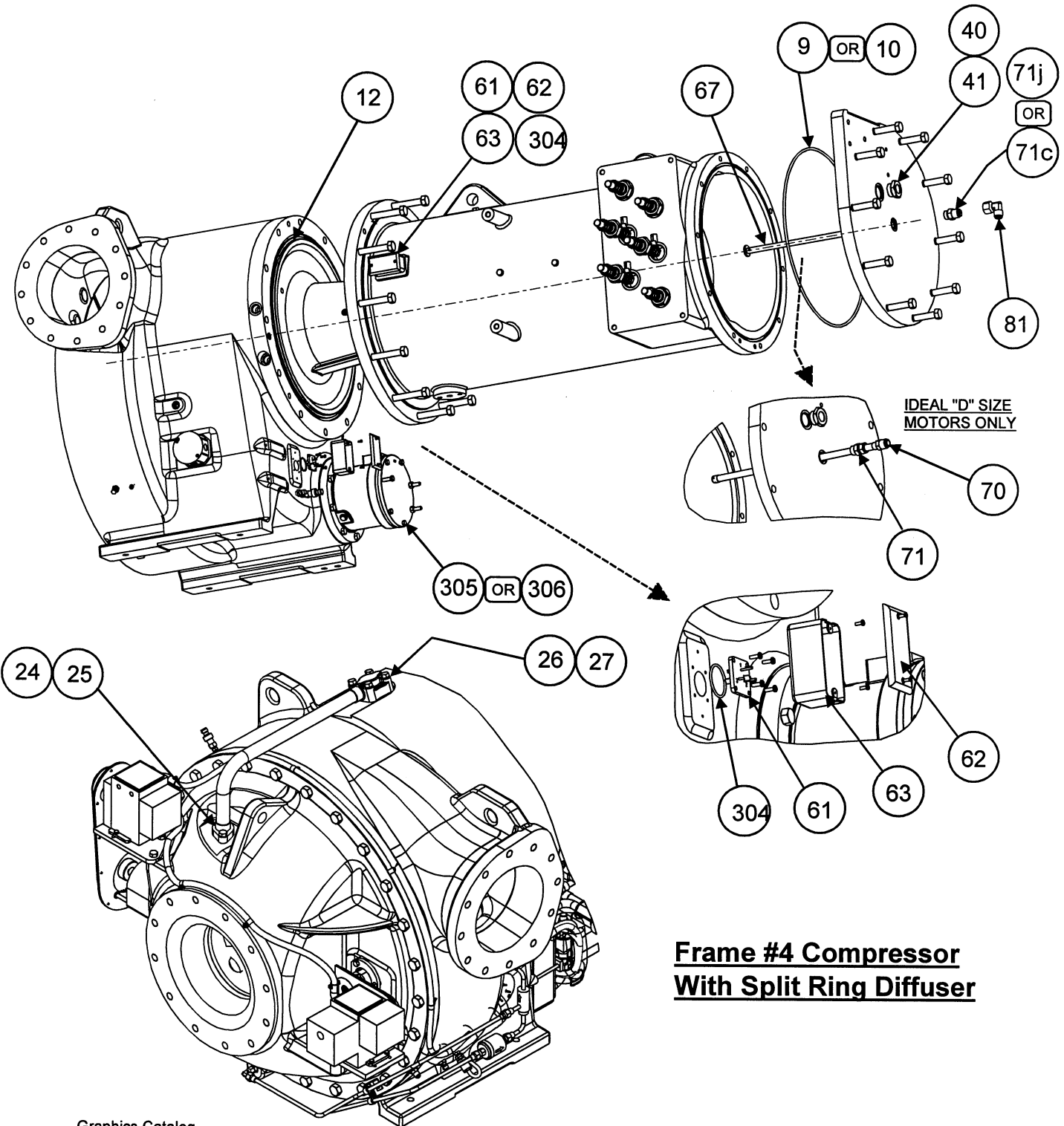
Rev. B
Rev. A

Graphics Page: 35
Litho in U.S.A



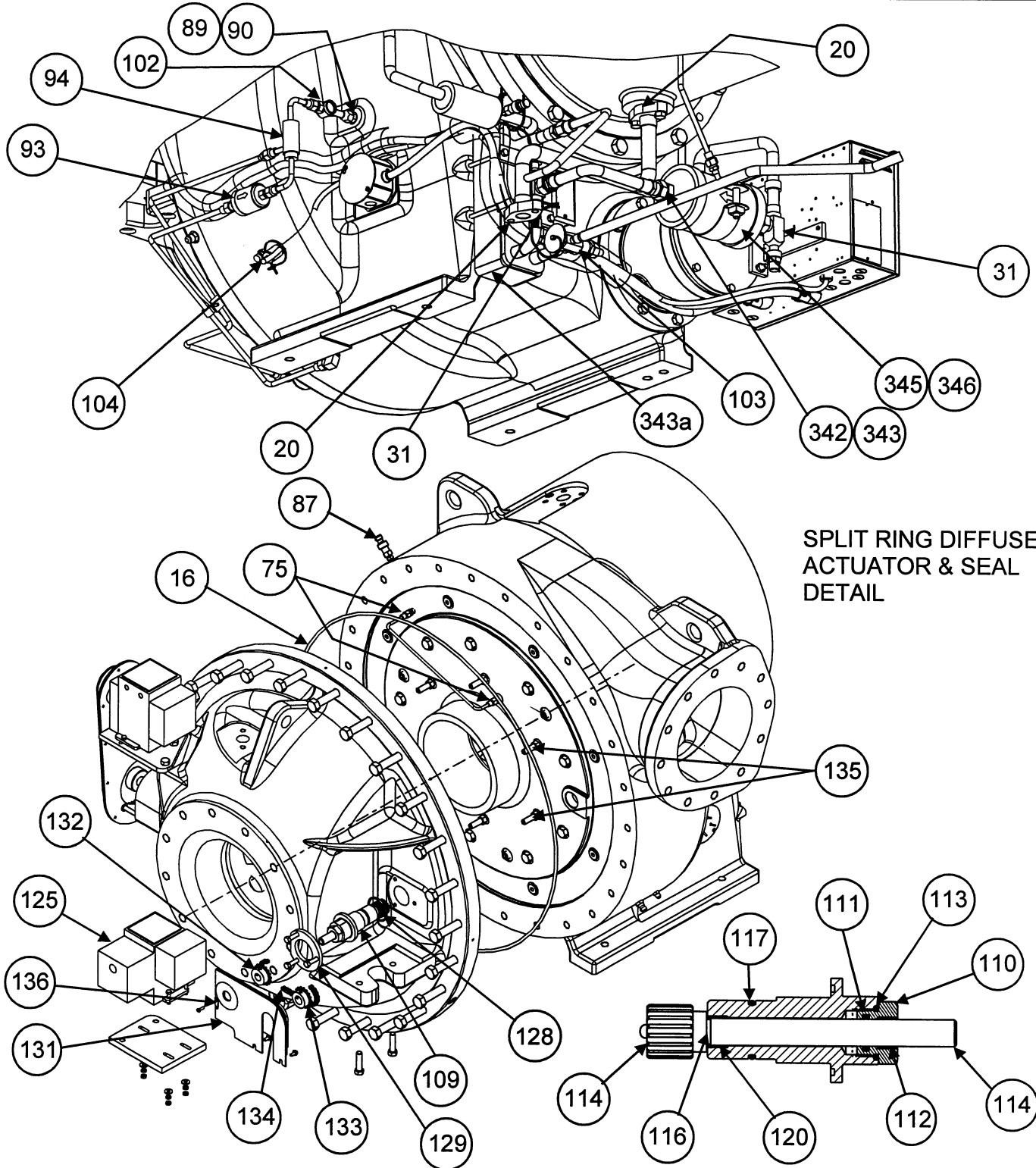
**Centrifugal Liquid Chiller
(Includes 19XR & 19XRV Info.)
PIC I, PIC II, PIC III Controls**

19XR



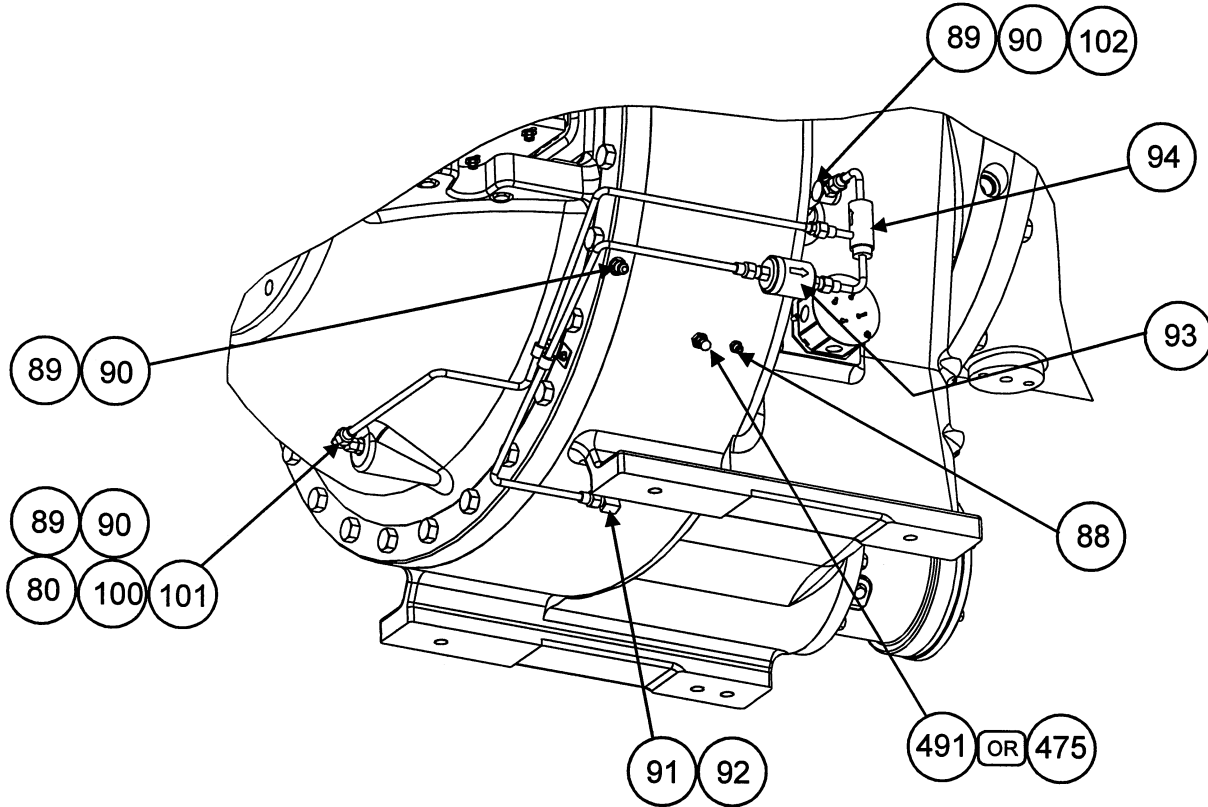
**Frame #4 Compressor
With Split Ring Diffuser**



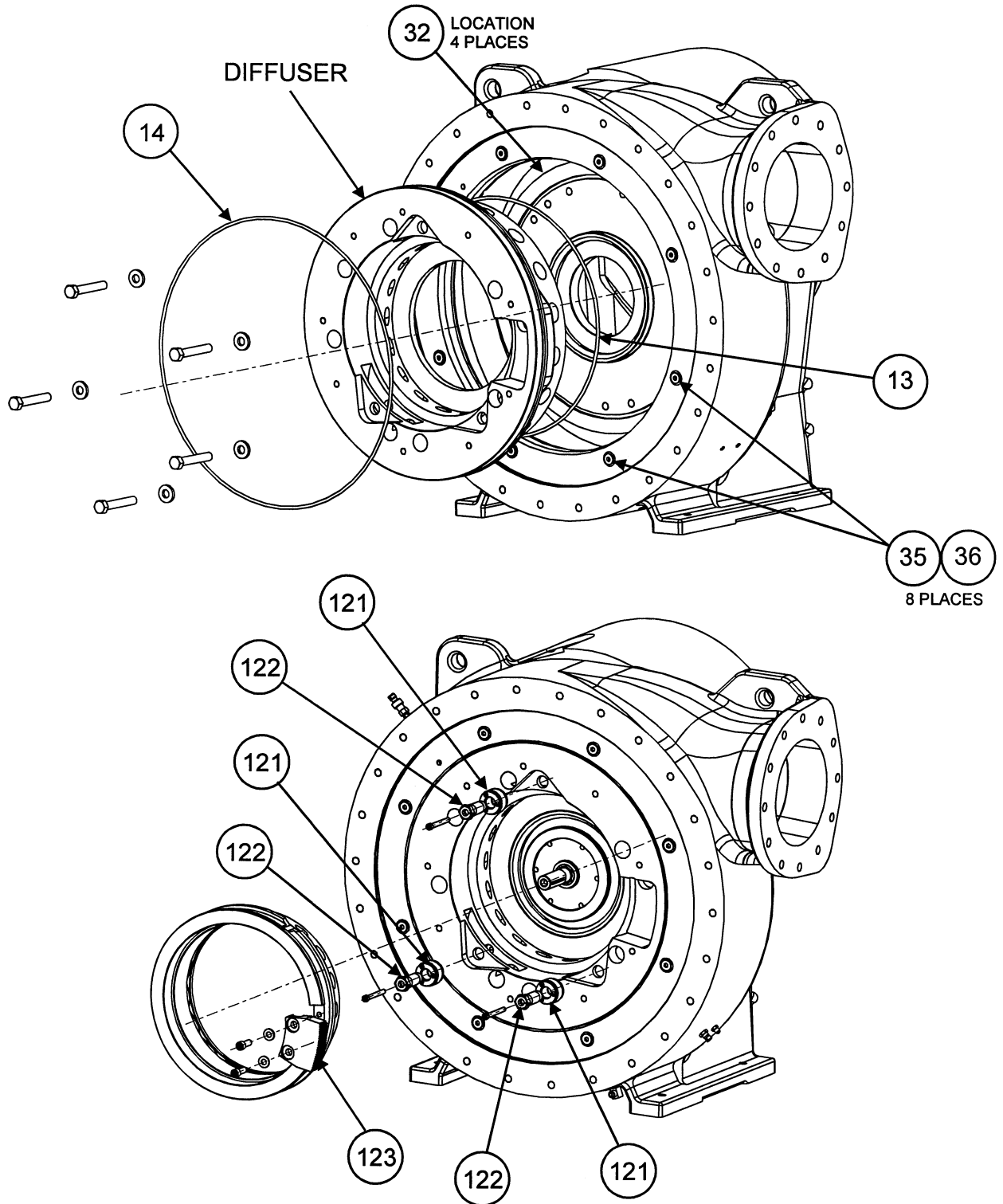


**SPLIT RING DIFFUSER
ACTUATOR & SEAL
DETAIL**





**Frame #4 Compressor
With Split Ring Diffuser**



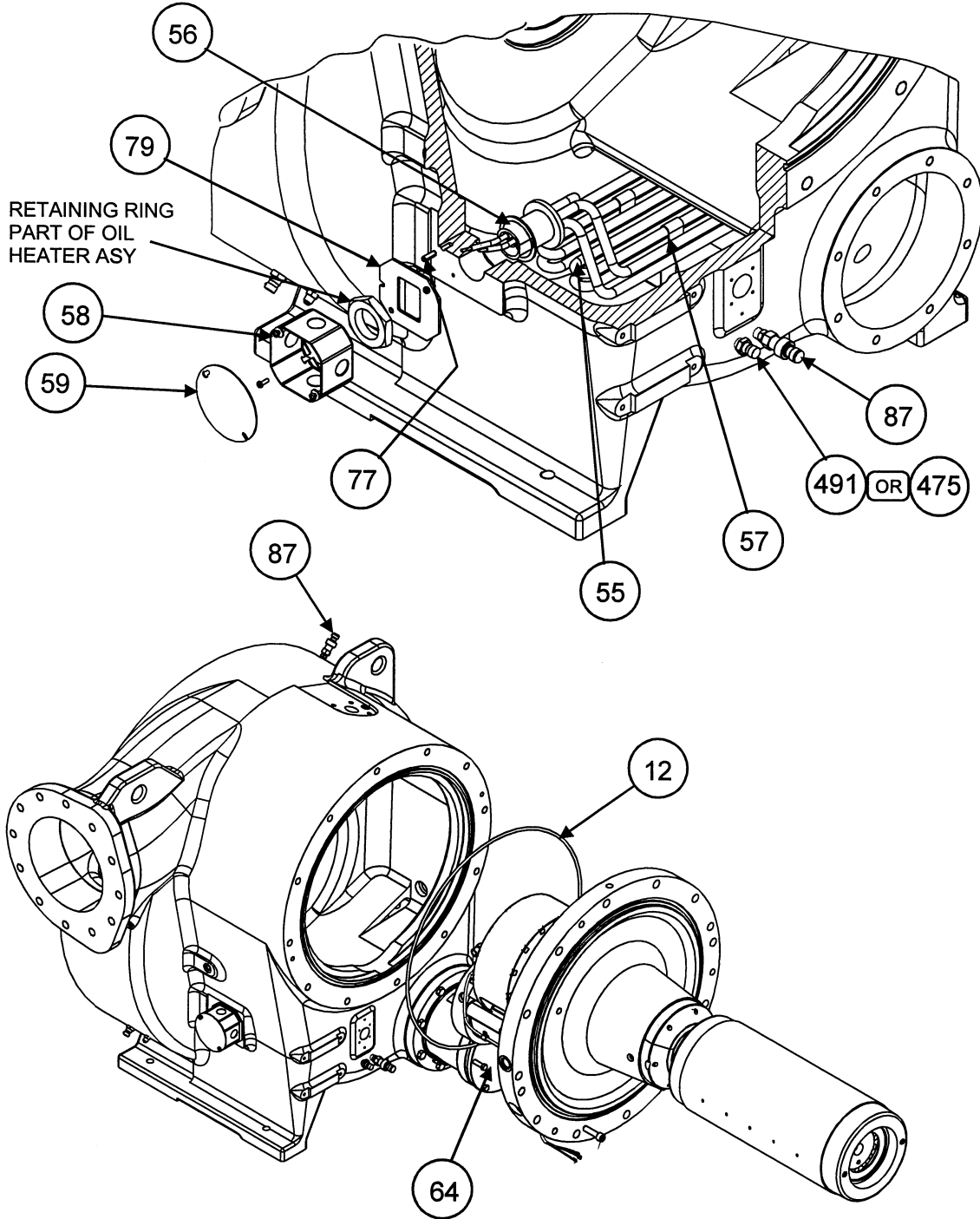
**Frame #4 Compressor
With Split Ring Diffuser**

Graphics Catalog
Catalog No: RCD-3519-061 (9/06)
Supersedes: RCD-3519-061

Rev. B
Rev. A

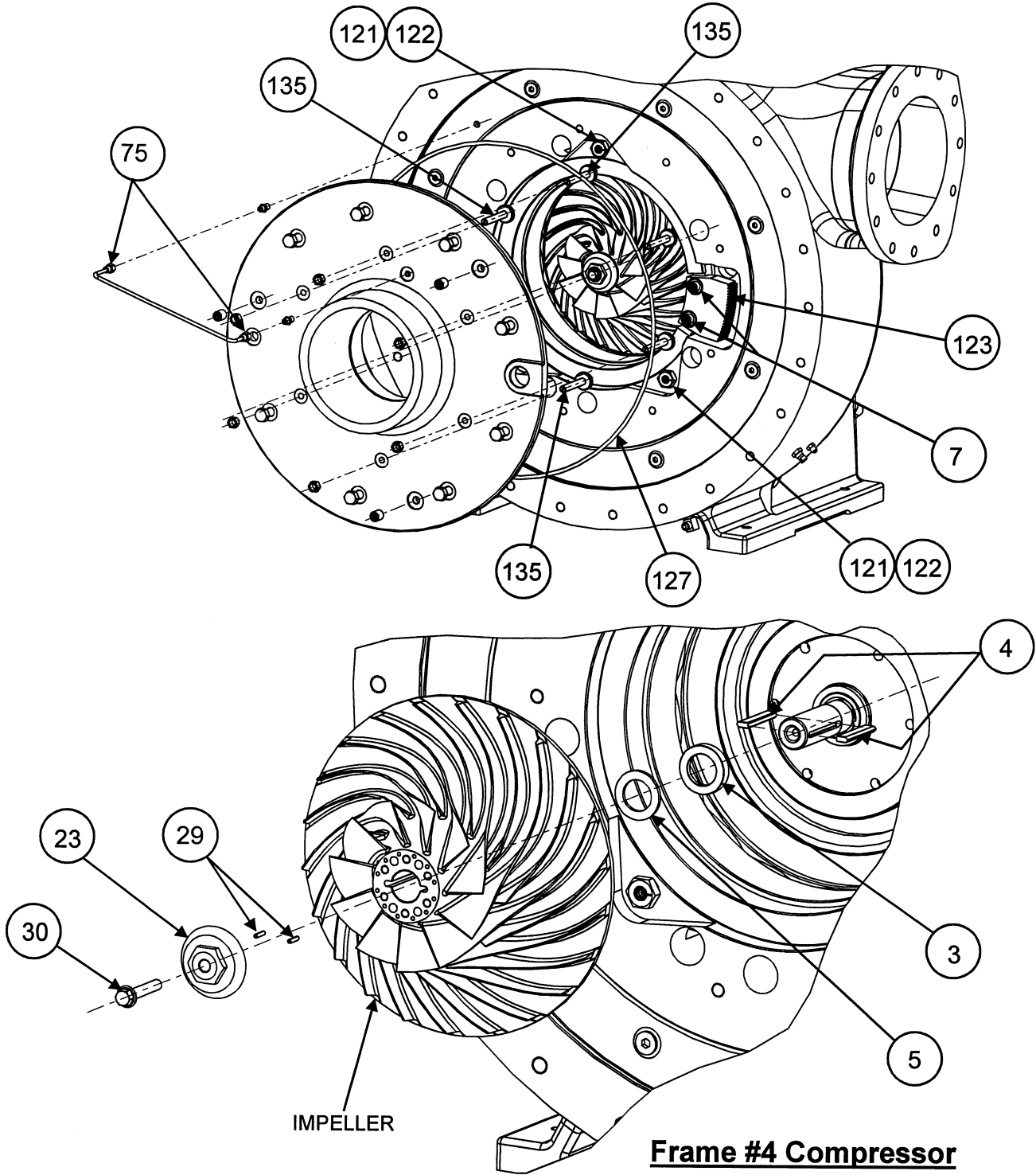
Graphics Page: 39
Litho in U.S.A.

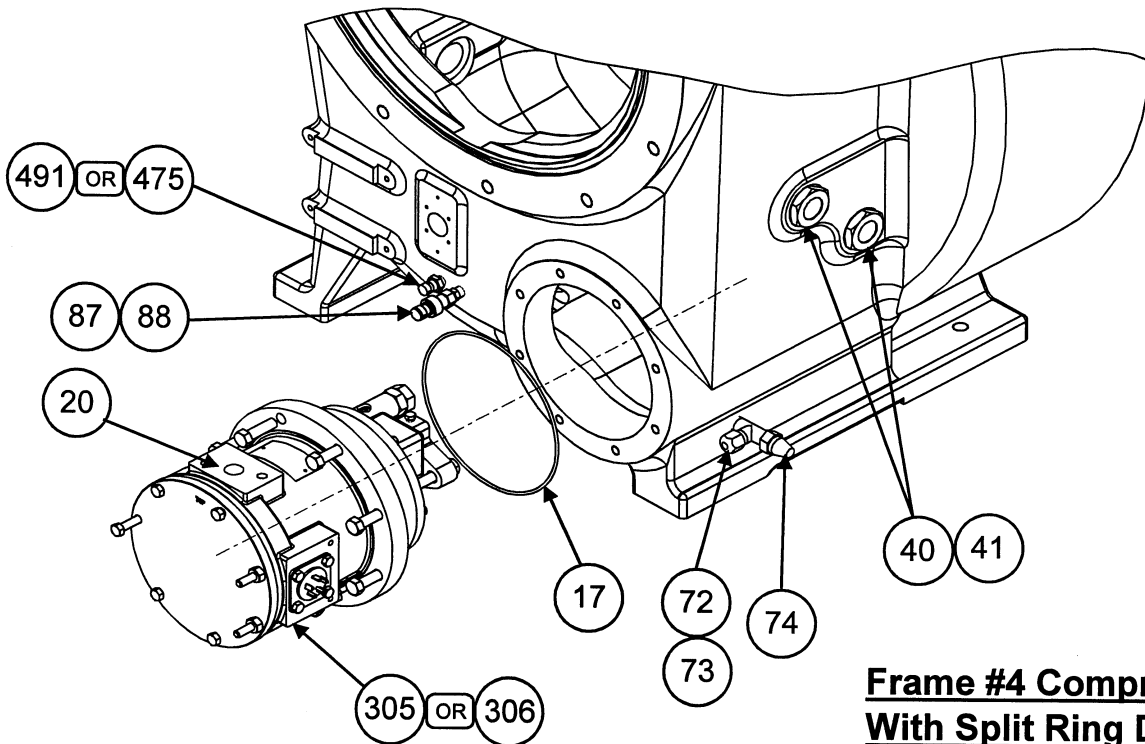
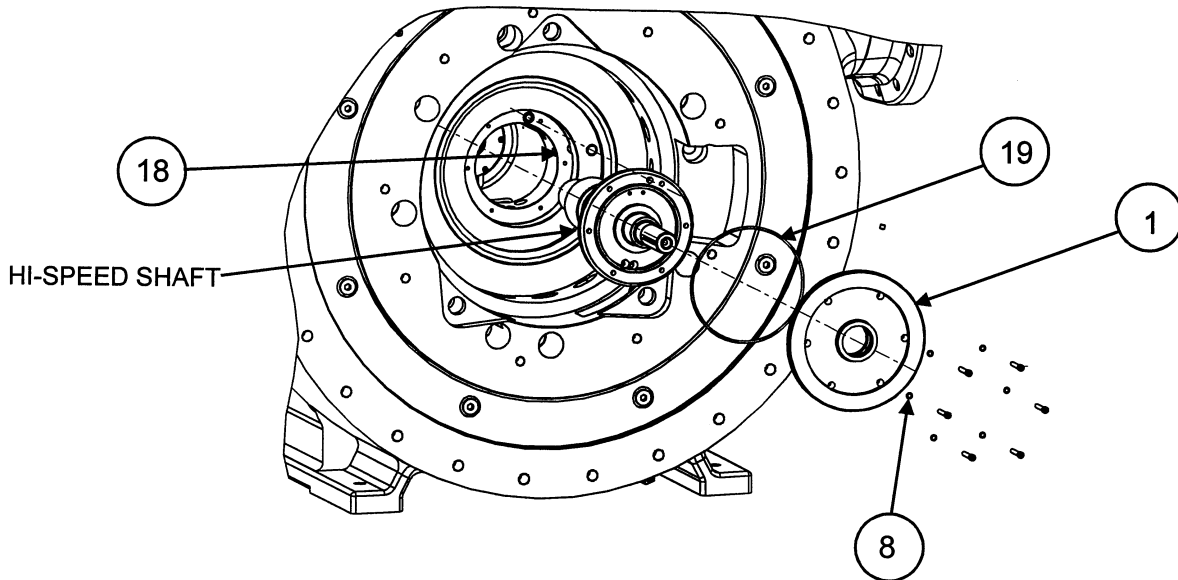




**Frame #4 Compressor
With Split Ring Diffuser**





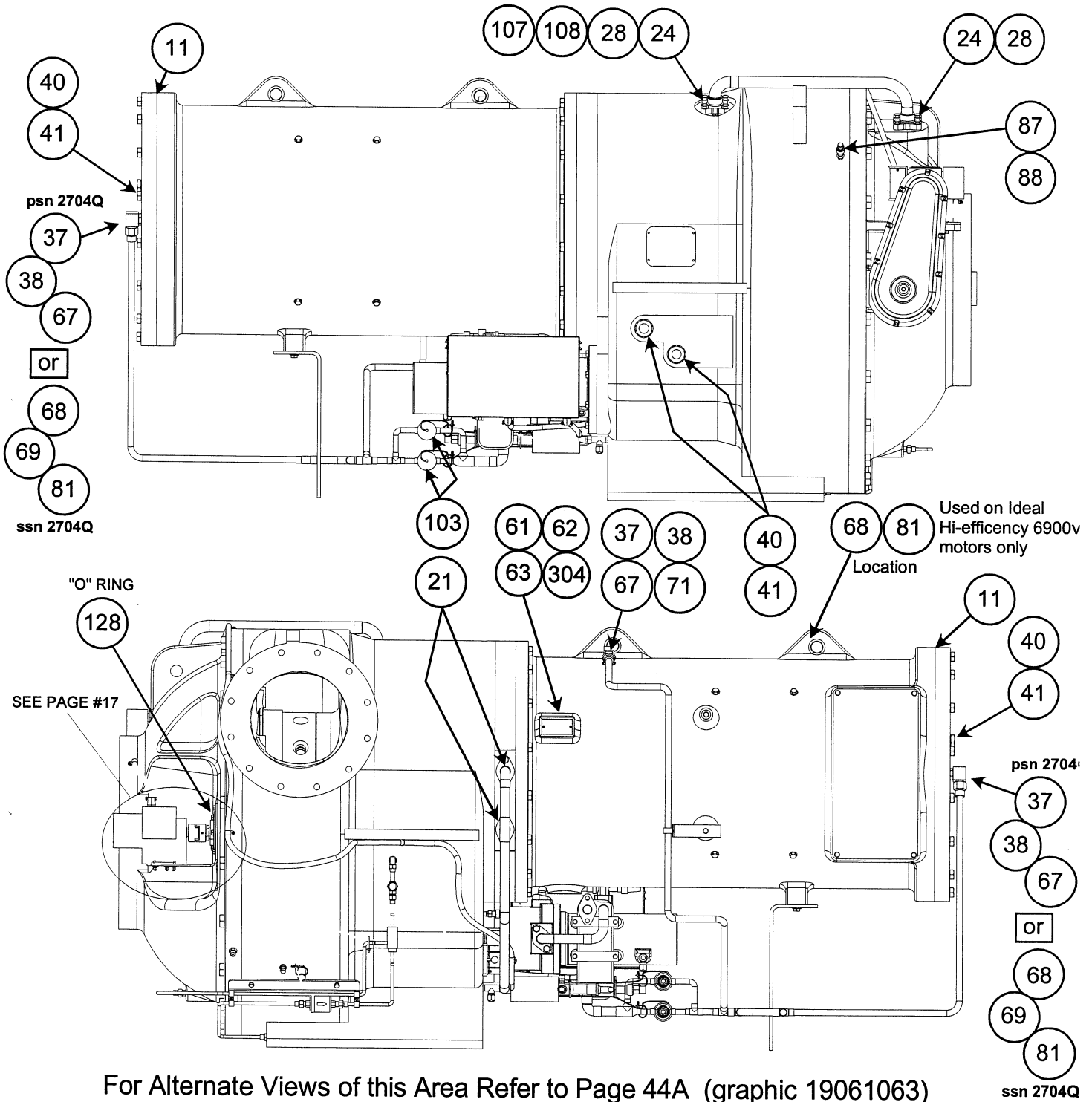


**Frame #4 Compressor
With Split Ring Diffuser**



Centrifugal Liquid Chiller (Includes 19XR & 19XRV Info.) PIC I, PIC II, PIC III Controls

19XR



For Alternate Views of this Area Refer to Page 44A (graphic 19061063)

Frame #5 Compressor

Graphics Catalog
Catalog No: RCD-3519-061 (9/06)
Supersedes: RCD-3519-061

Rev. B
Rev. A

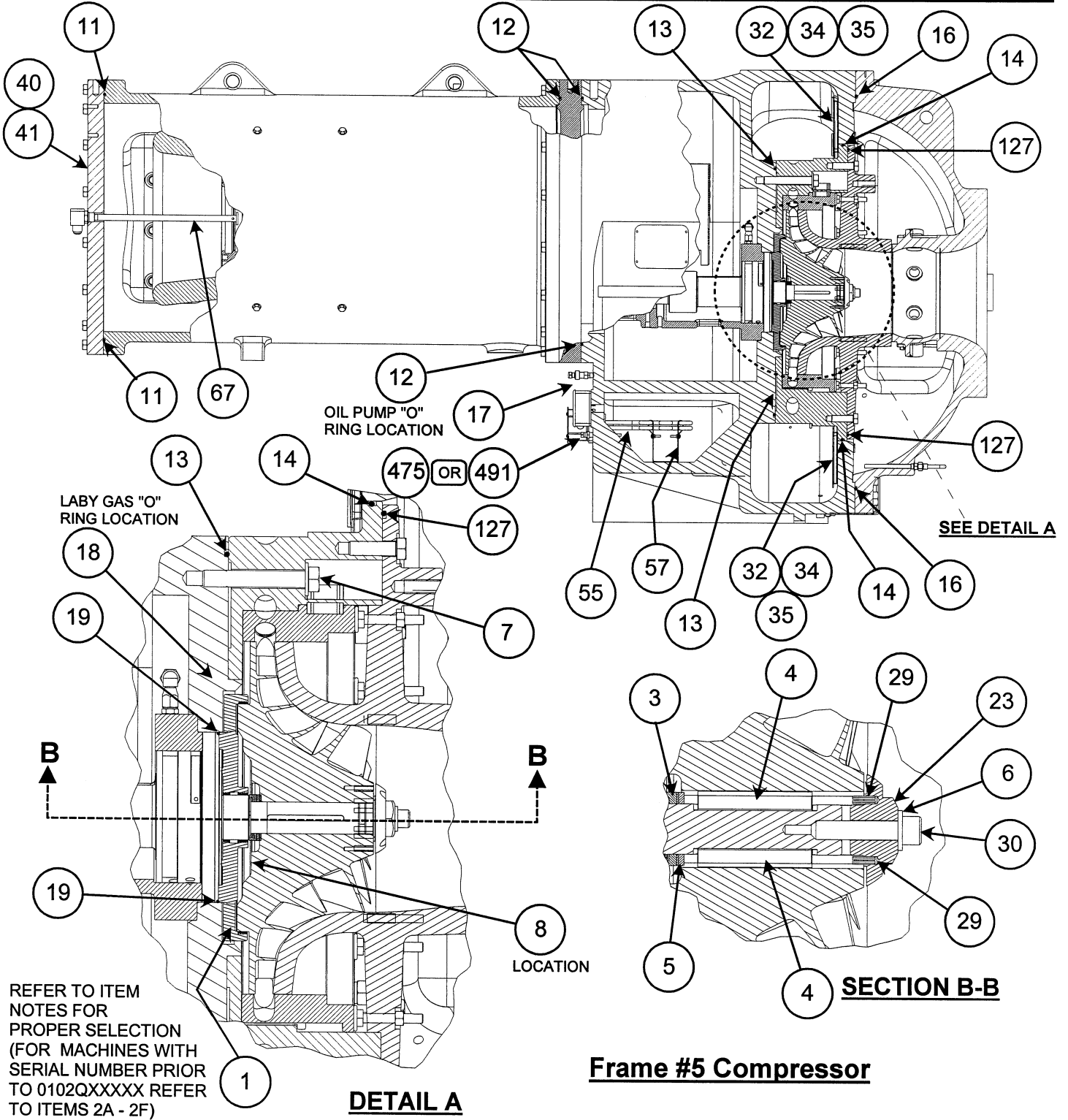
Graphics Page: 43
Litho in U.S.A



Electronic Graphics 19061043

**Centrifugal Liquid Chiller
(Includes 19XR & 19XRV Info.)
PIC I, PIC II, PIC III Controls**

19XR

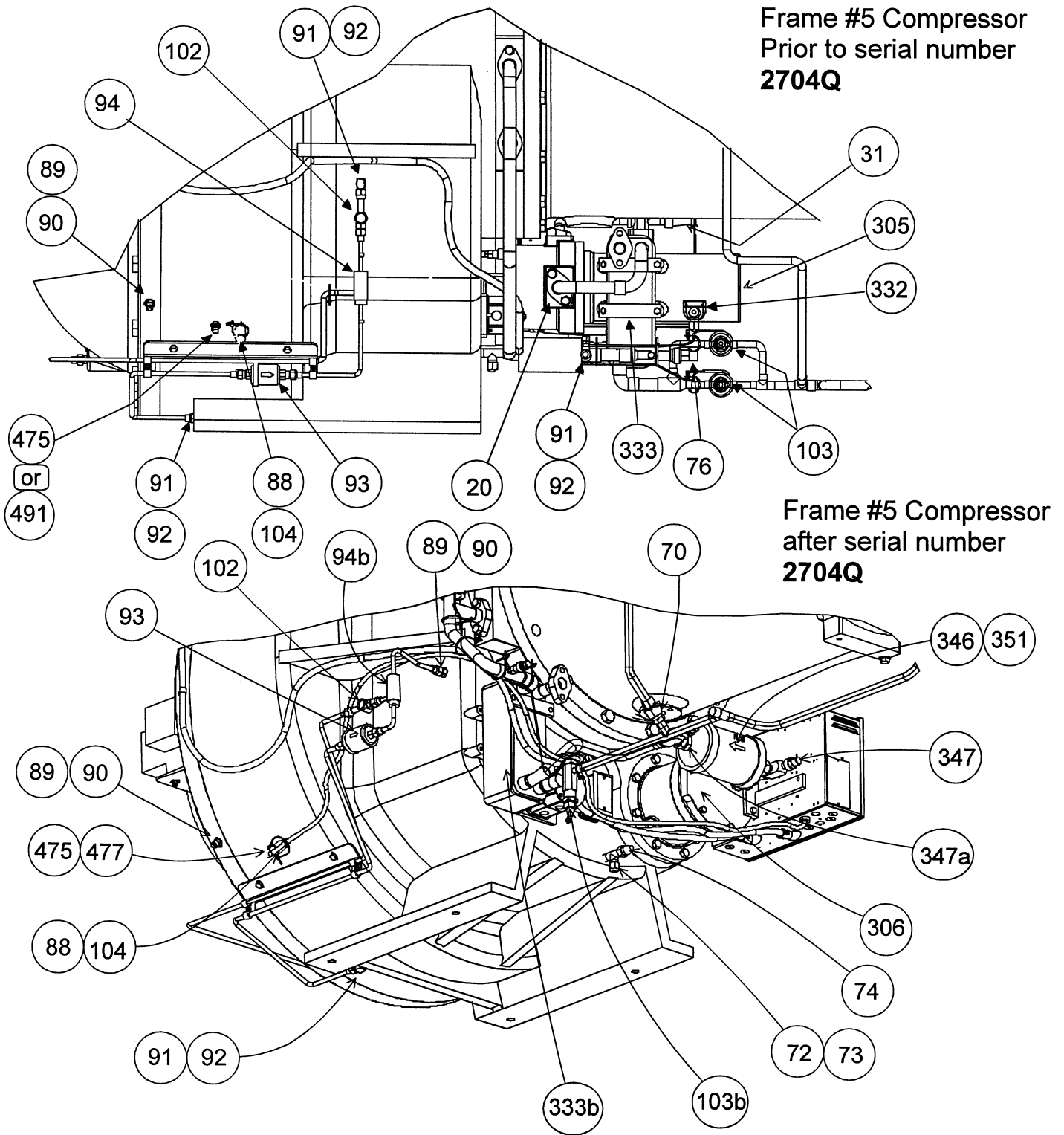


Frame #5 Compressor



**Centrifugal Liquid Chiller
(Includes 19XR & 19XRV Info.)
PIC I, PIC II, PIC III Controls**

19XR



Graphics Catalog
Catalog No: RCD-3519-061 (9/06)
Supersedes: RCD-3519-061

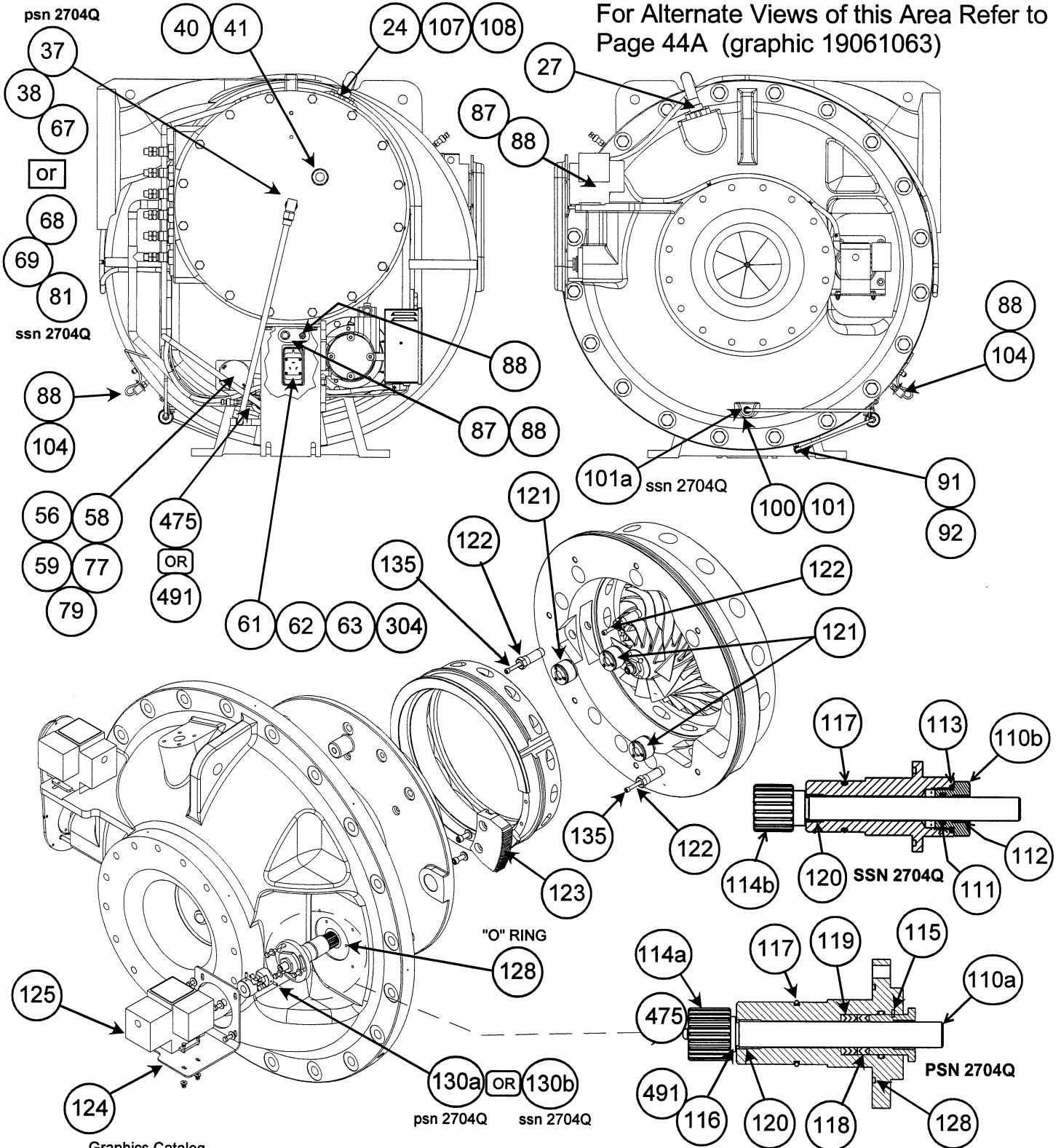
Rev. B
Rev. A

Graphics Page: 44a
Litho in U.S.A



**Centrifugal Liquid Chiller
(Includes 19XR & 19XRV Info.)
PIC I, PIC II, PIC III Controls**

19XR



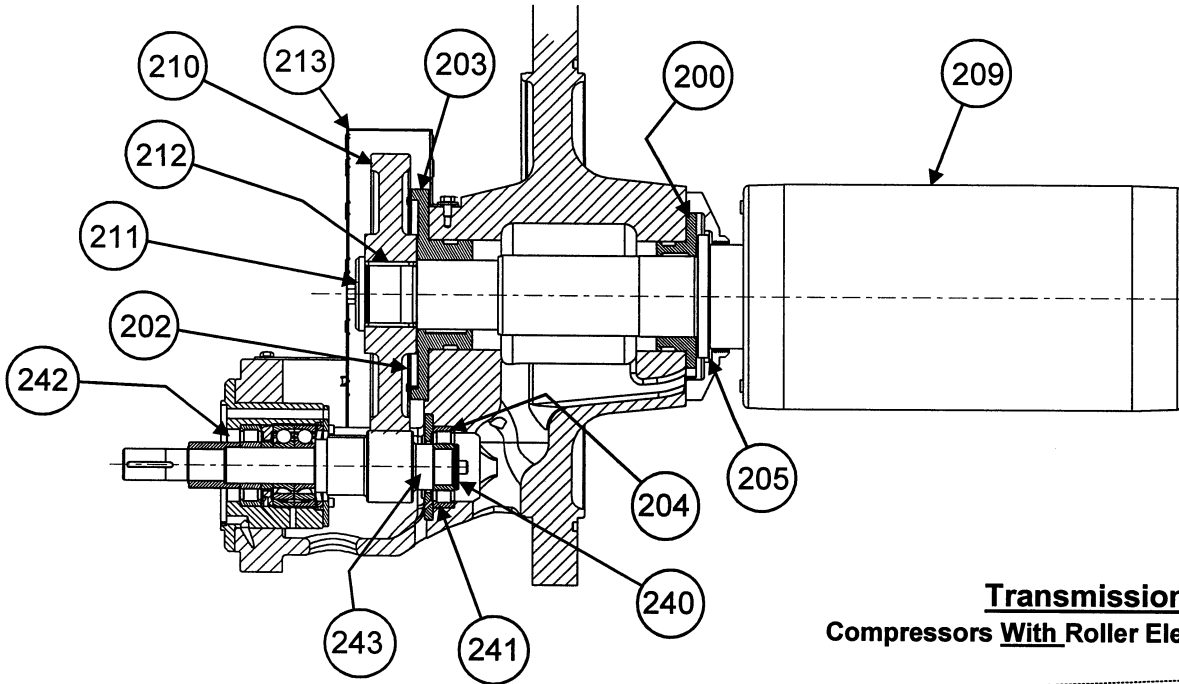
Graphics Catalog
Catalog No: RCD-3519-061 (9/06)
Supersedes: RCD-3519-061

Rev. B
Rev. A

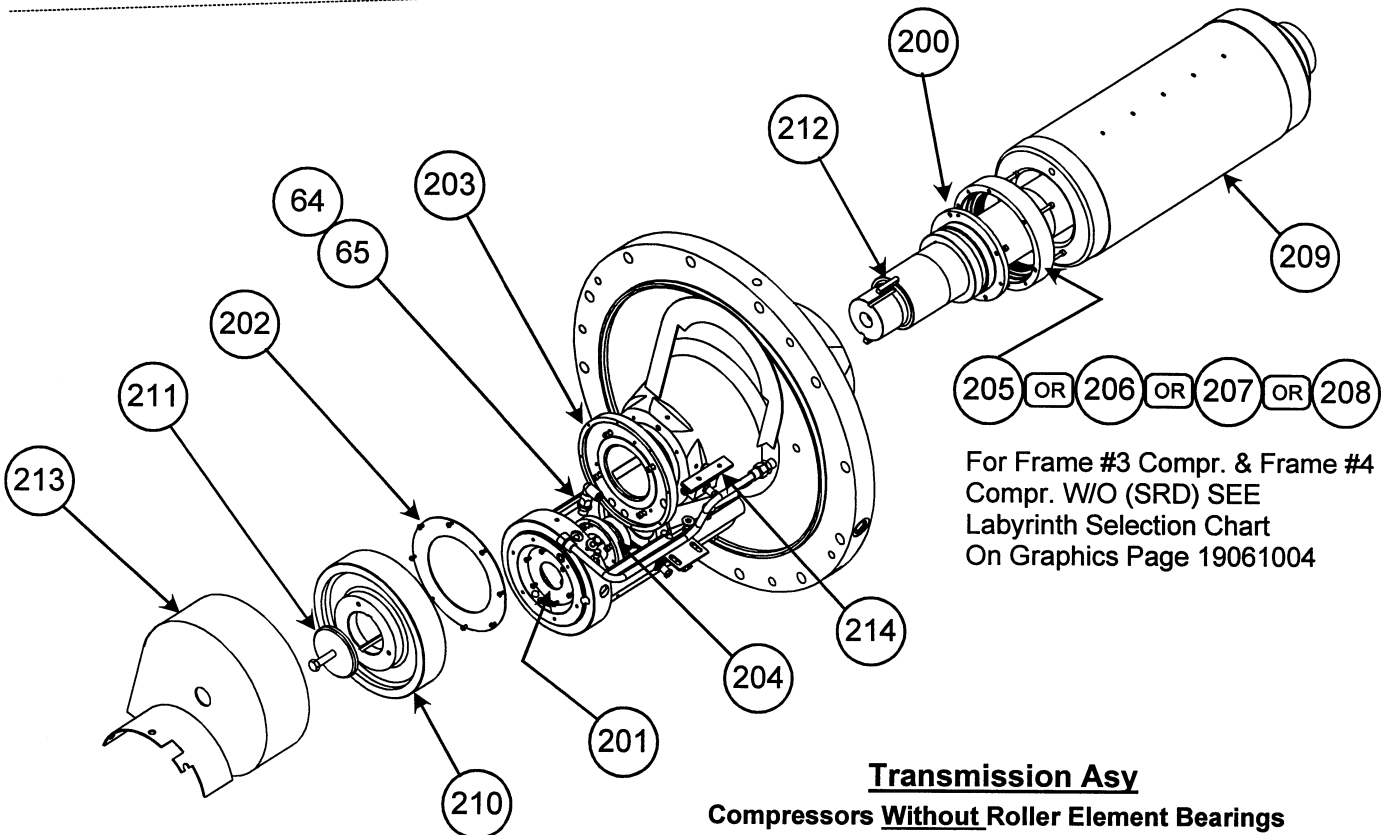
Frame #5 Compressor

Graphics Page: 45
Litho in U.S.A



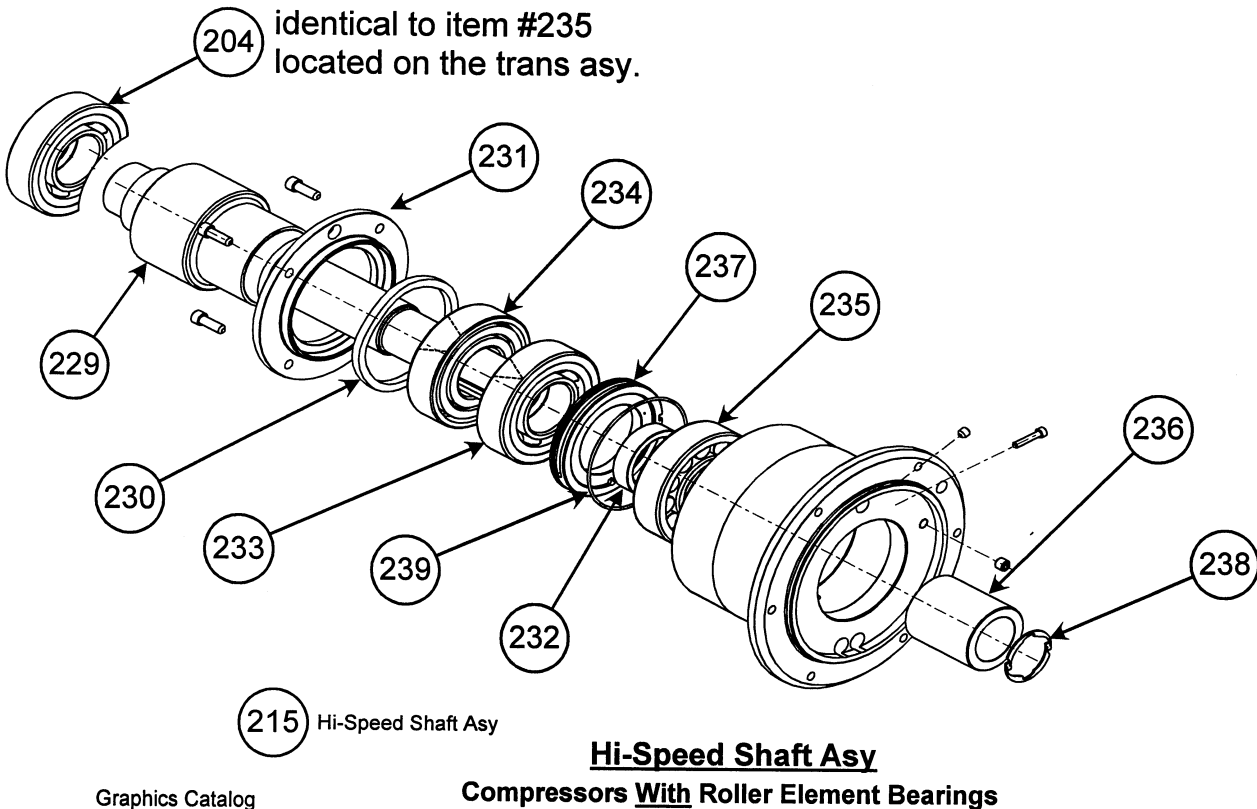
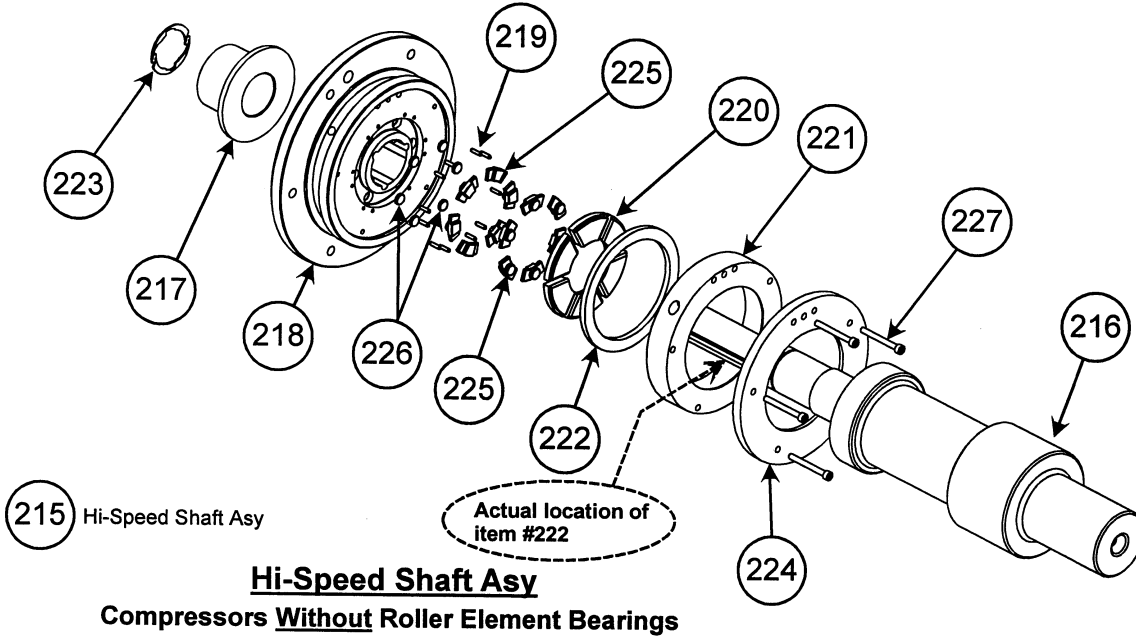


Transmission Asy
Compressors With Roller Element Bearings



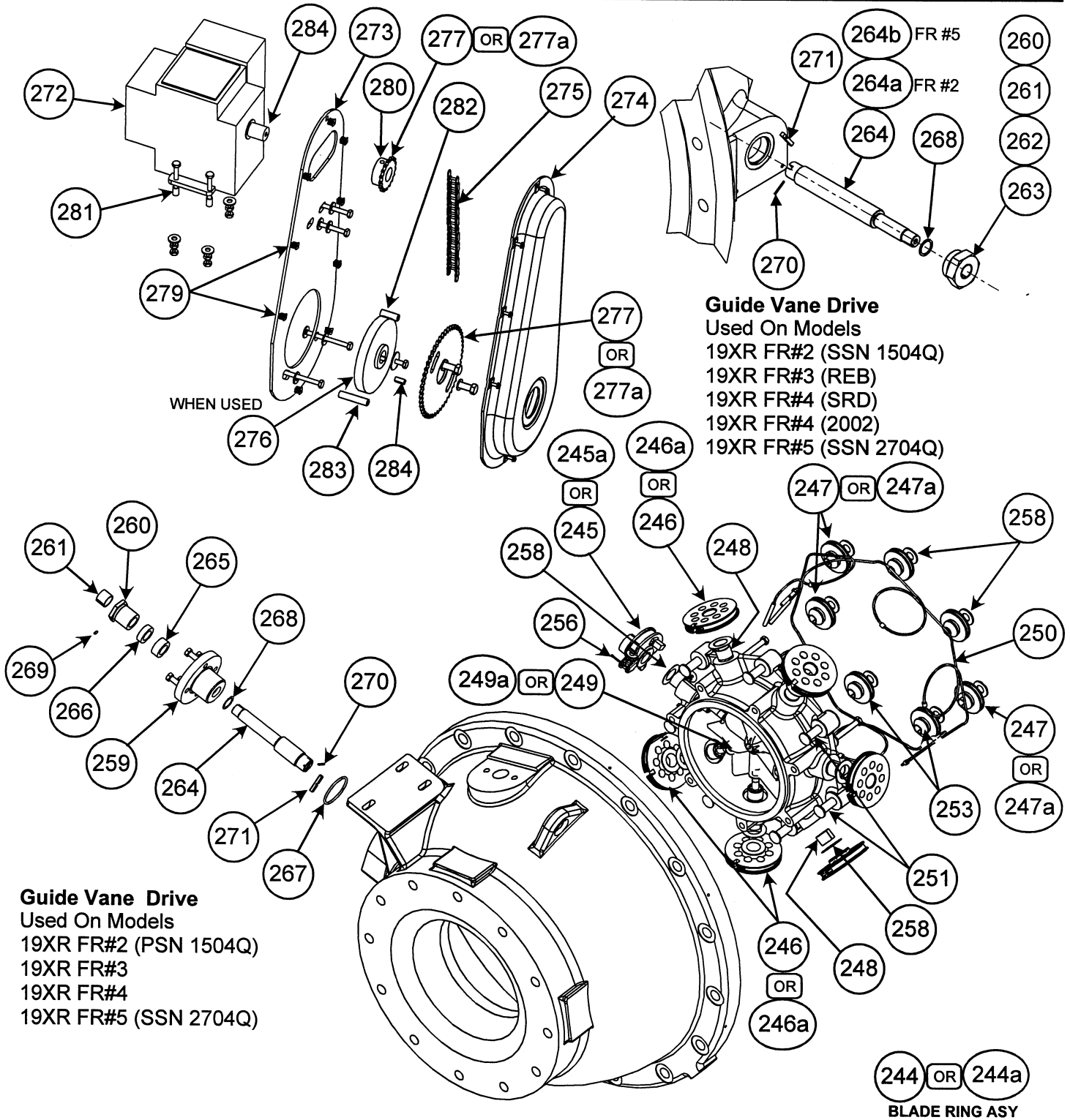
Transmission Asy
Compressors Without Roller Element Bearings





**Centrifugal Liquid Chiller
(Includes 19XR & 19XRV Info.)
PIC I, PIC II, PIC III Controls**

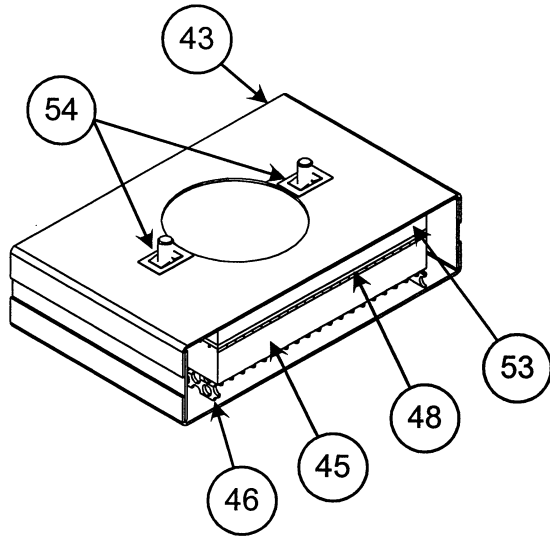
19XR



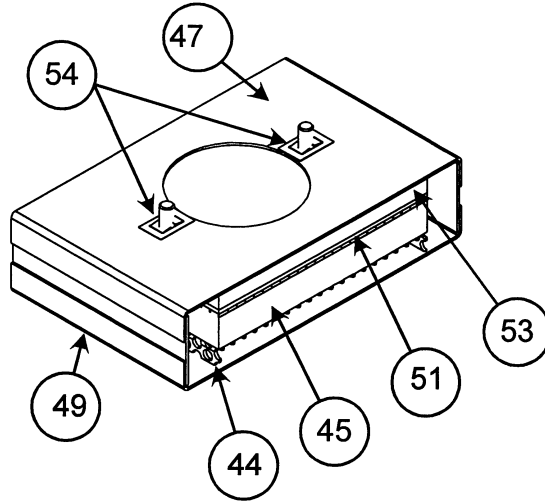
Guide Vane Drive
Used On Models
19XR FR#2 (SSN 1504Q)
19XR FR#3 (REB)
19XR FR#4 (SRD)
19XR FR#4 (2002)
19XR FR#5 (SSN 2704Q)

Guide Vane Drive
Used On Models
19XR FR#2 (PSN 1504Q)
19XR FR#3
19XR FR#4
19XR FR#5 (SSN 2704Q)

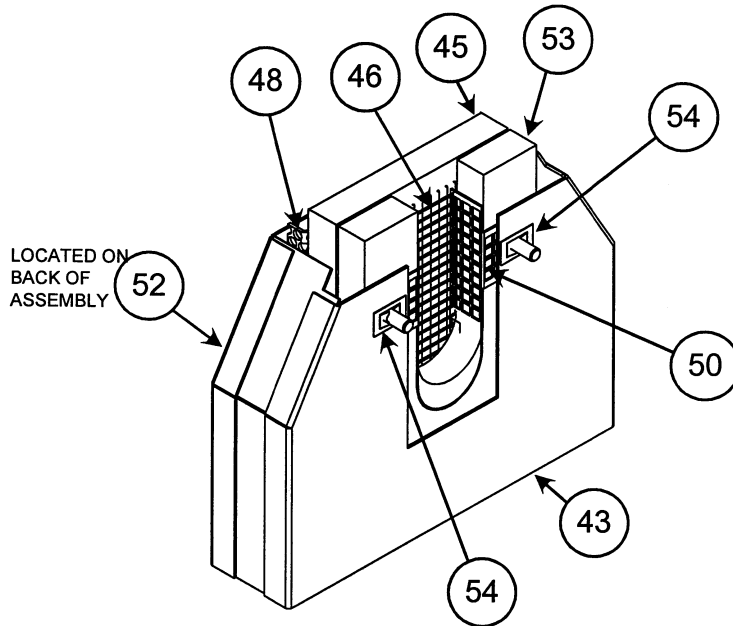
Suction End Housing For All Compressors



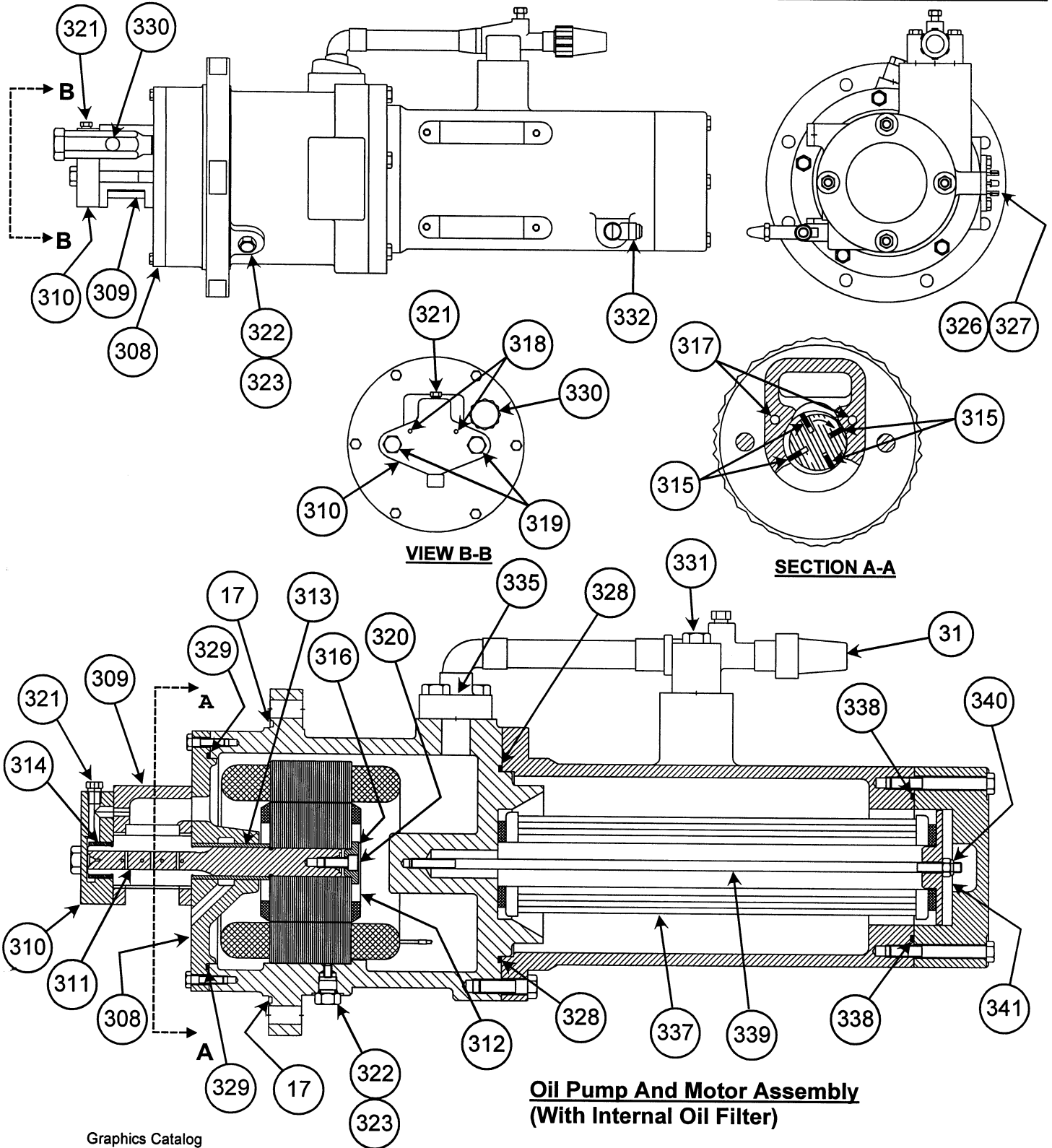
Demister Assembly
Frame #2 Compressor (PSN 1504Q)



Demister Assembly
Frame #2 Compressor (SSN 1504Q)
Frame #3 (REB) Compressor
Frame #4 (SRD) Compressor
Frame #4 (2002) CompressorR
Frame #5 Compressor (SSN 2704Q)



Demister Assembly
Frame #3 Compressor
Frame #4 Compressor
Frame #5 Compressor (PSN 2704Q)

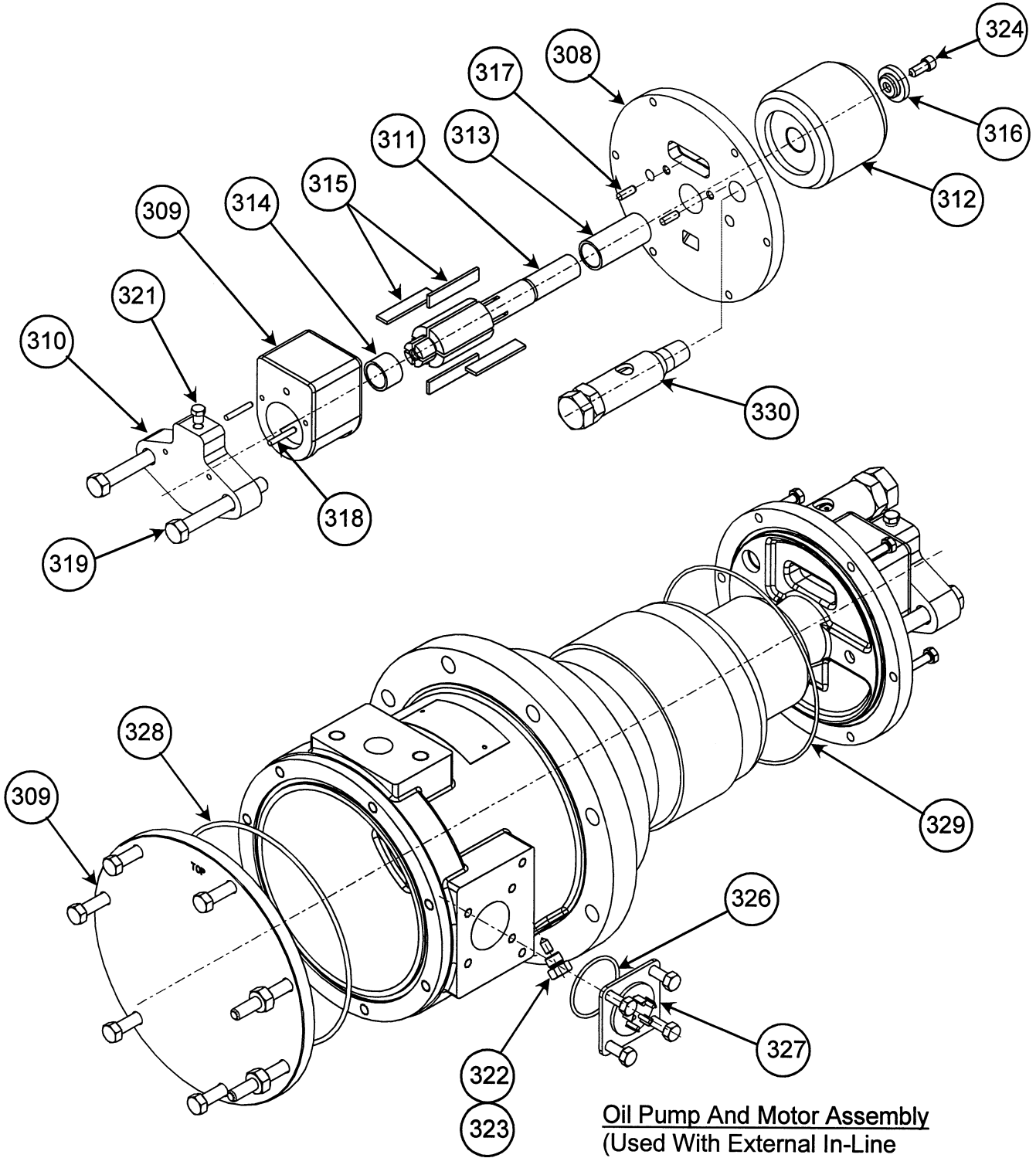


**Oil Pump And Motor Assembly
(With Internal Oil Filter)**



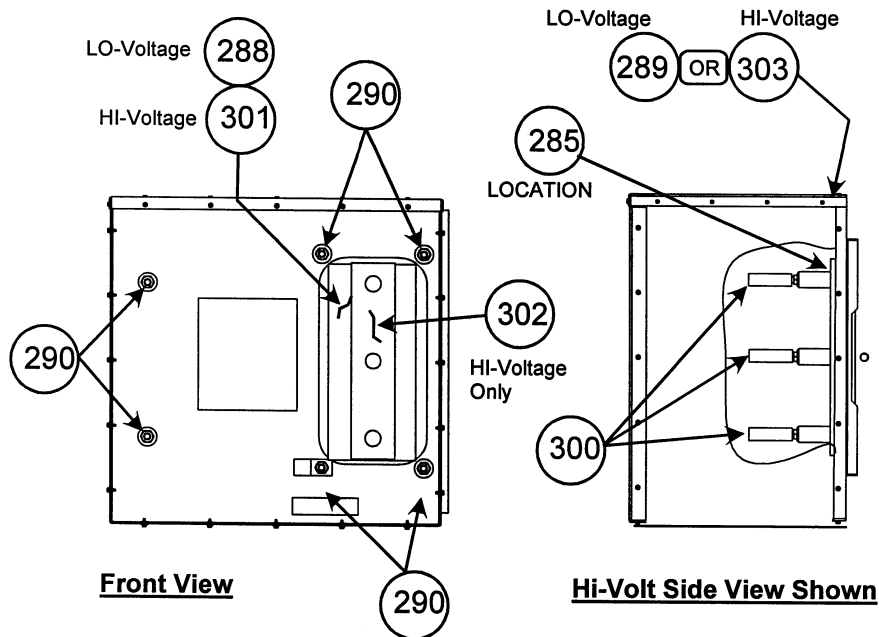
**Centrifugal Liquid Chiller
(Includes 19XR & 19XRV Info.)
PIC I, PIC II, PIC III Controls**

19XR

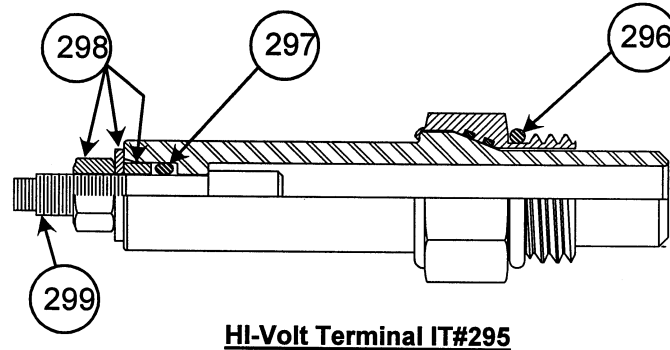


**Oil Pump And Motor Assembly
(Used With External In-Line
Oil Filter)**

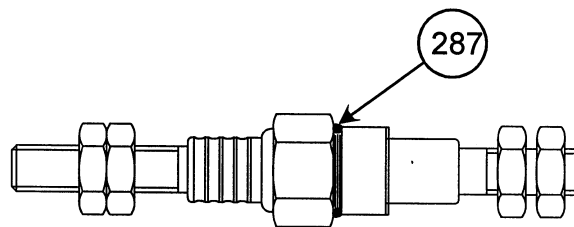




Compressor Terminal Box Assembly



HI-Volt Terminal IT#295

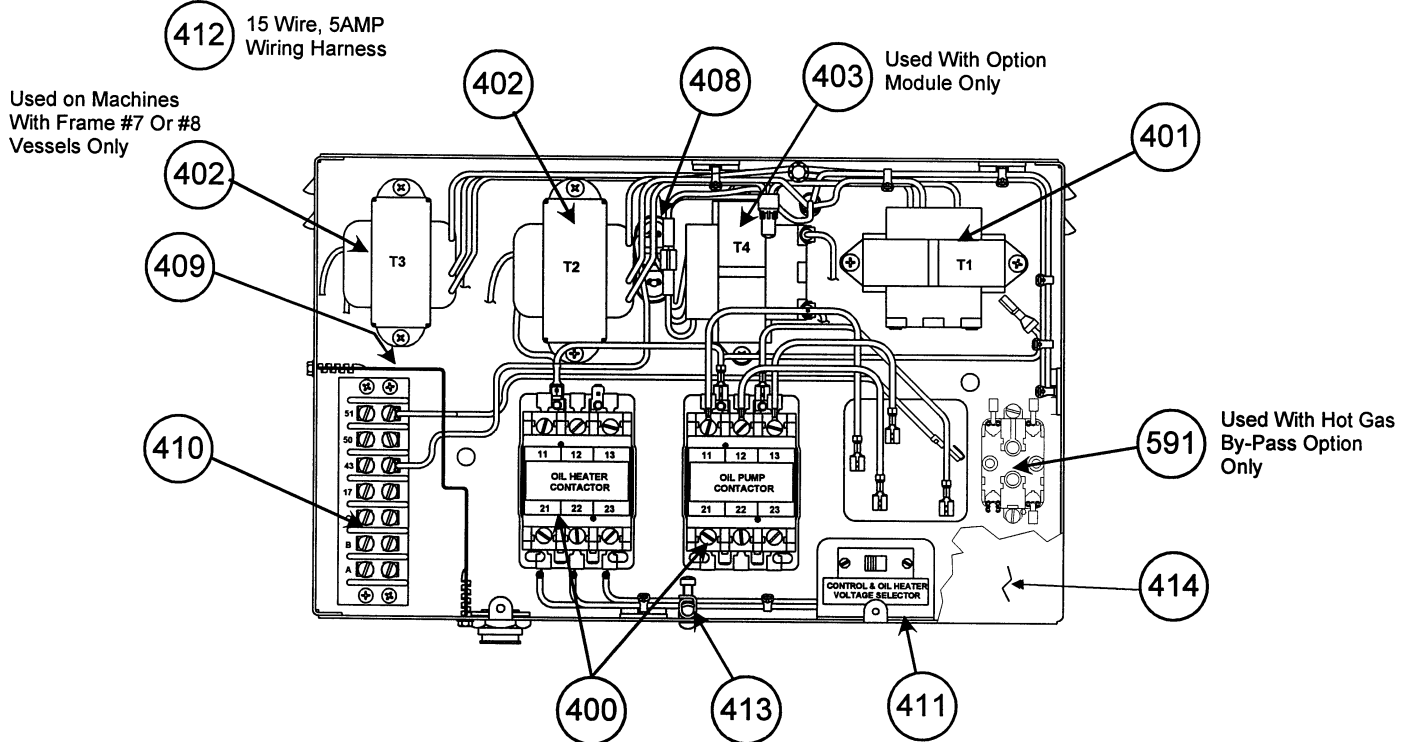


LO-Volt Terminal IT#286

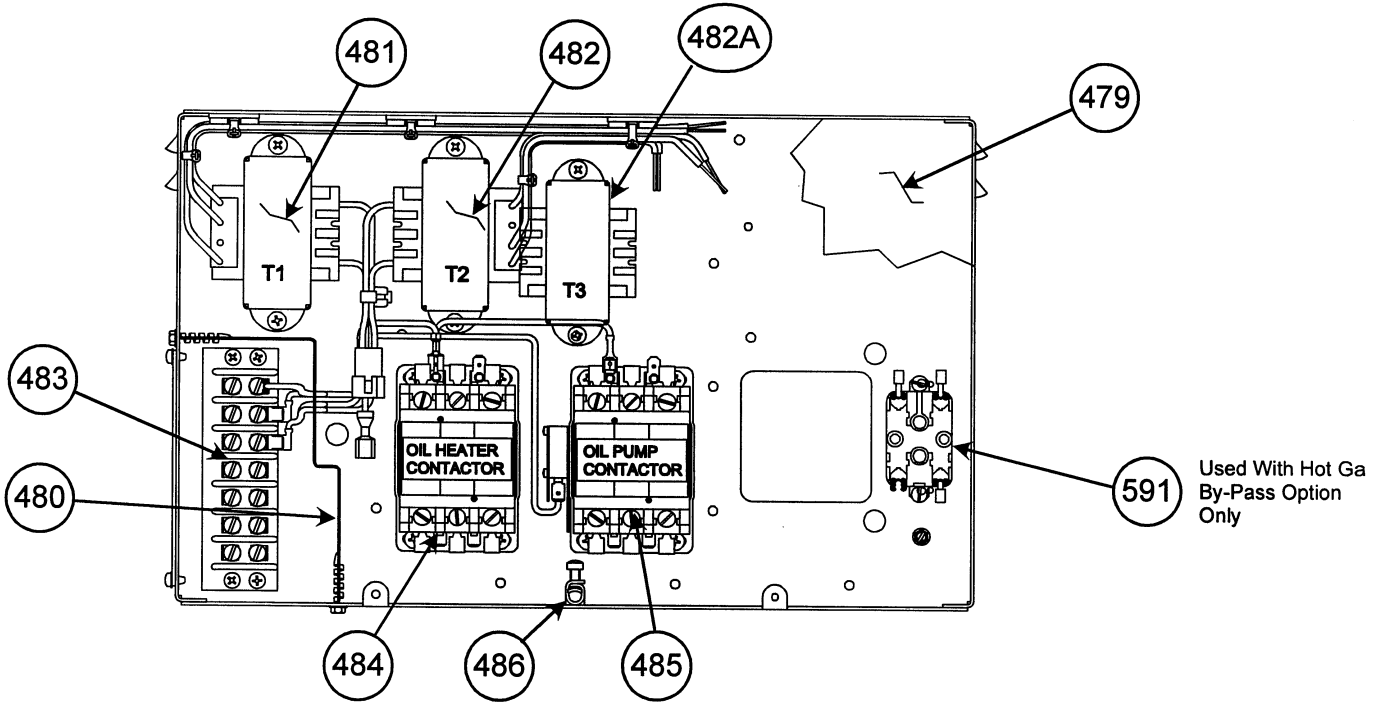


**HERMETIC CENTRIFUGAL
LIQUID CHILLER (R134A)
WITH PIC I OR PIC II CONTROLS**

19XR

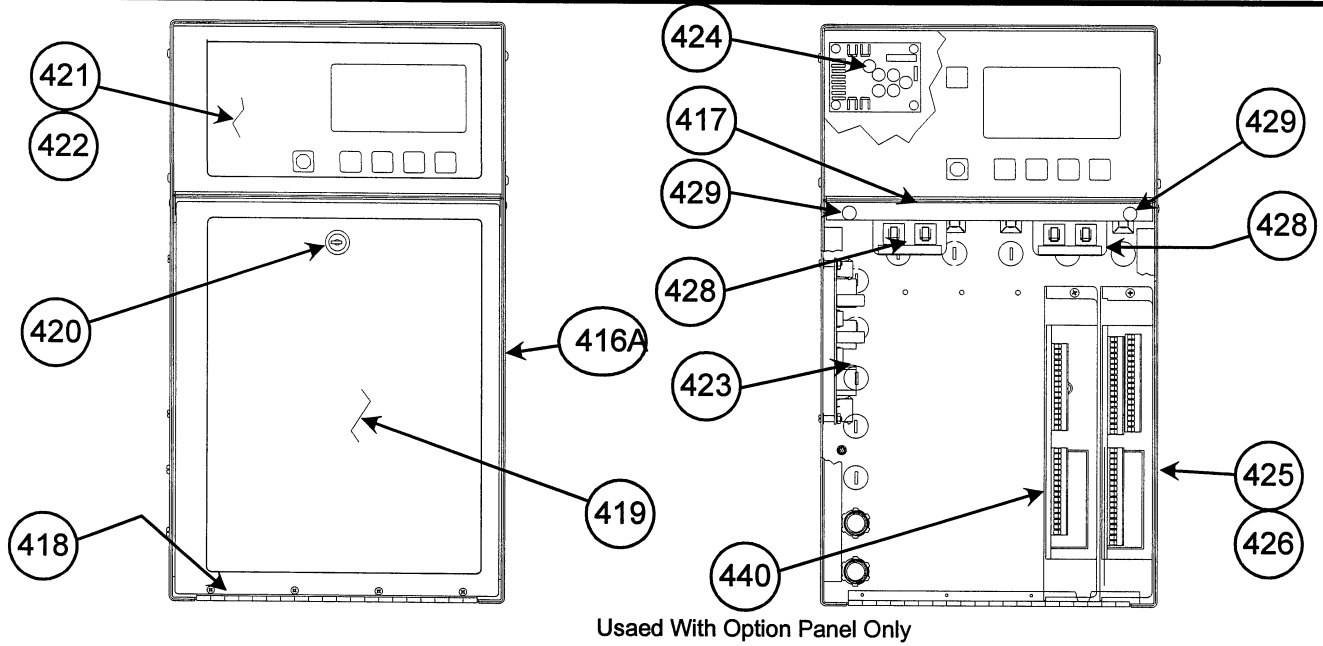


Power Panel For PIC I Machines



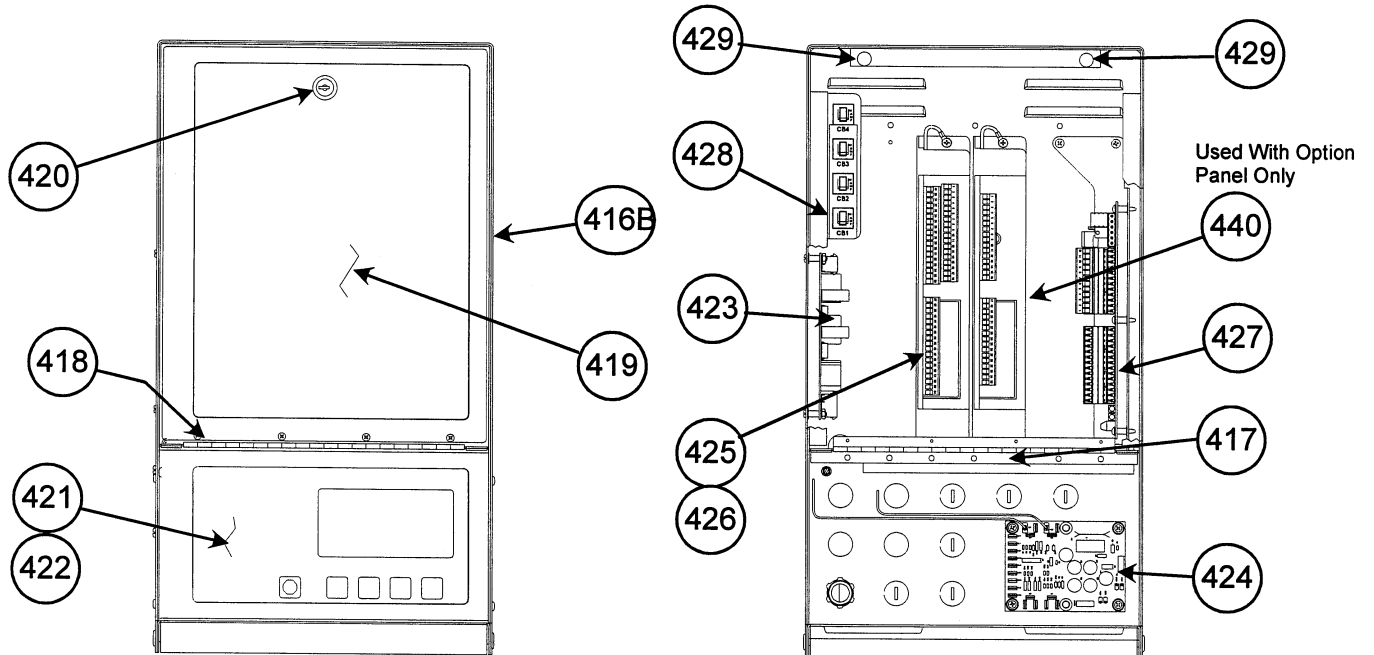
Power Panel For PIC II & PIC III Machines





Cable Assemblies Are Items 431 & 432

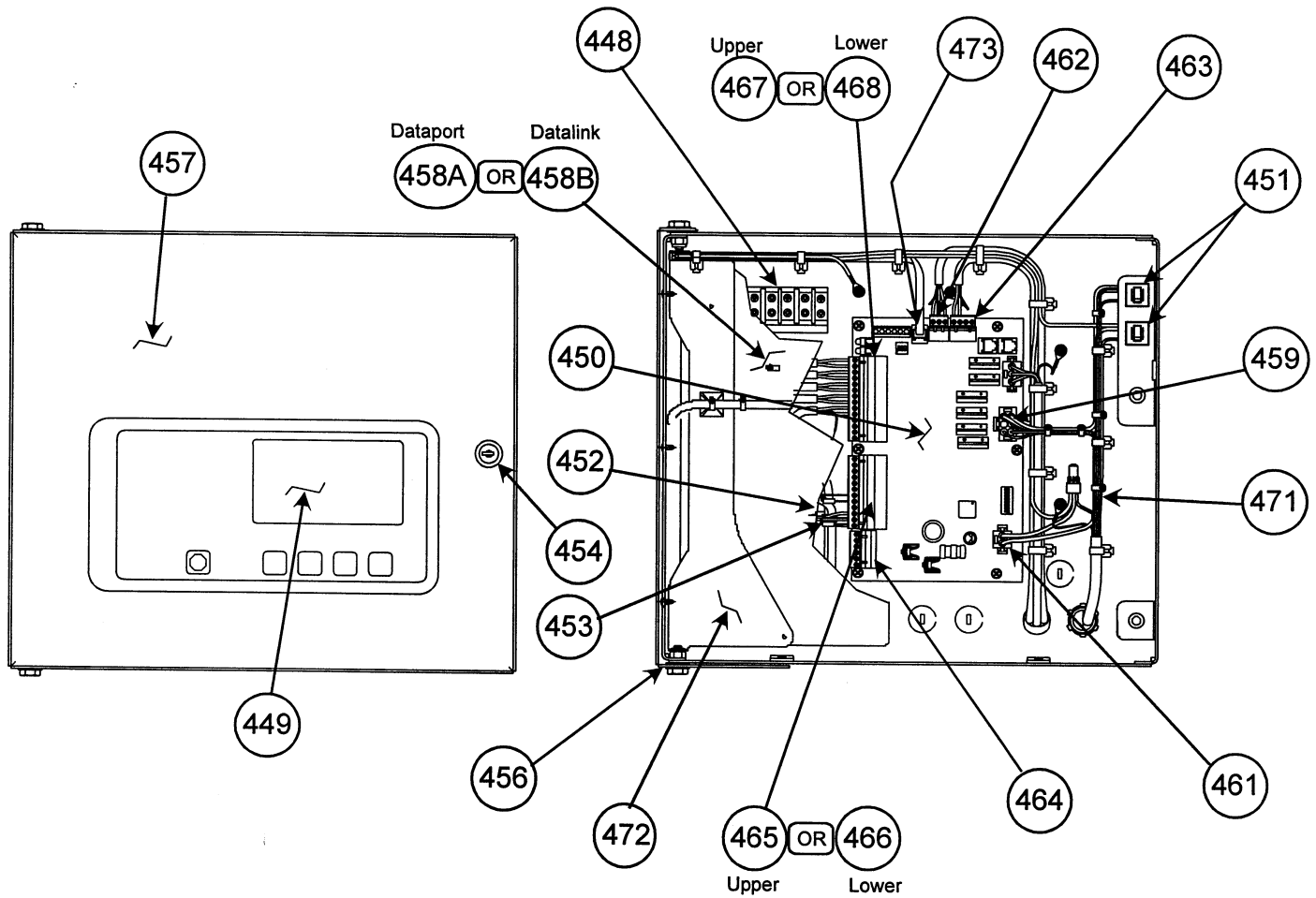
Control Panel For PIC I Machines With Frame #1, 2, 3, 4, 5 Or 6 Vessels



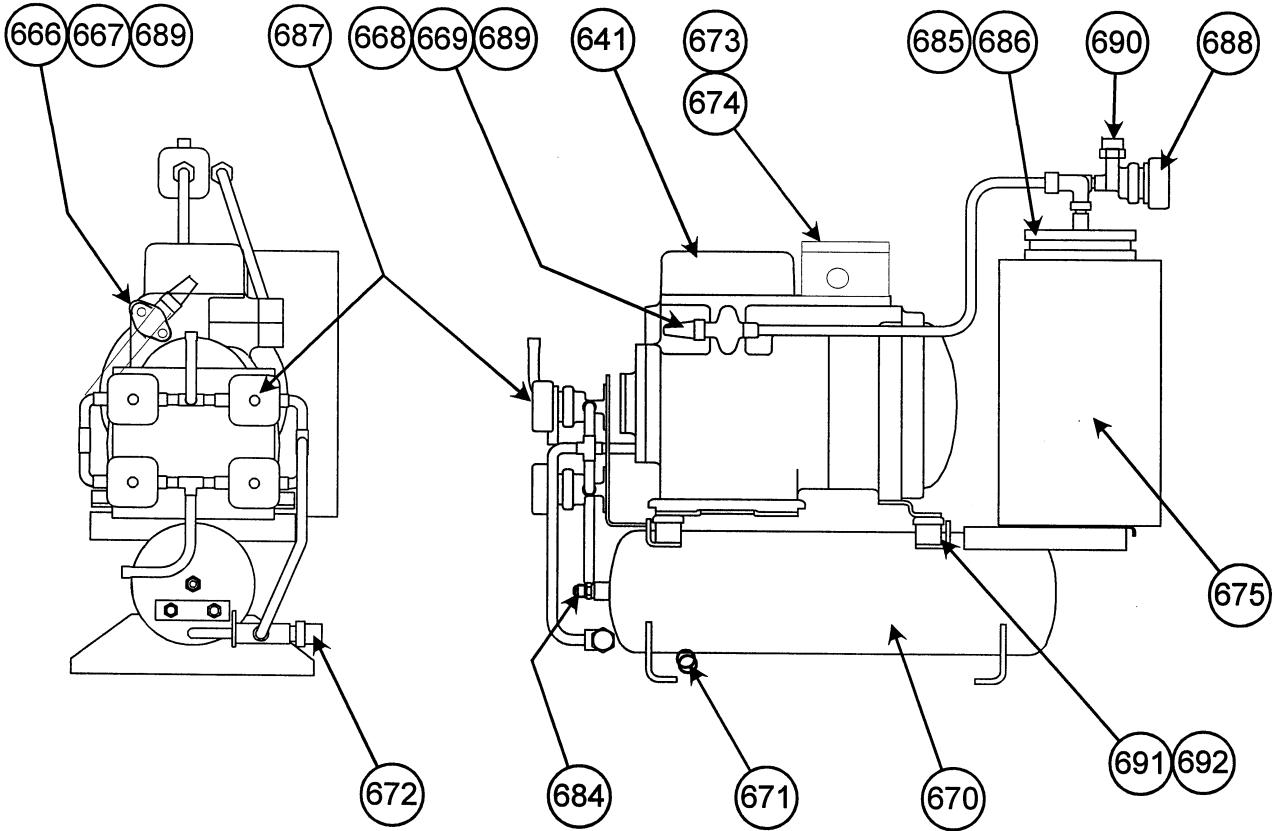
Cable Assemblies Are Items 431 & 432

Control Panel For PIC I Machines With Frame #7 Or 8 Vessels

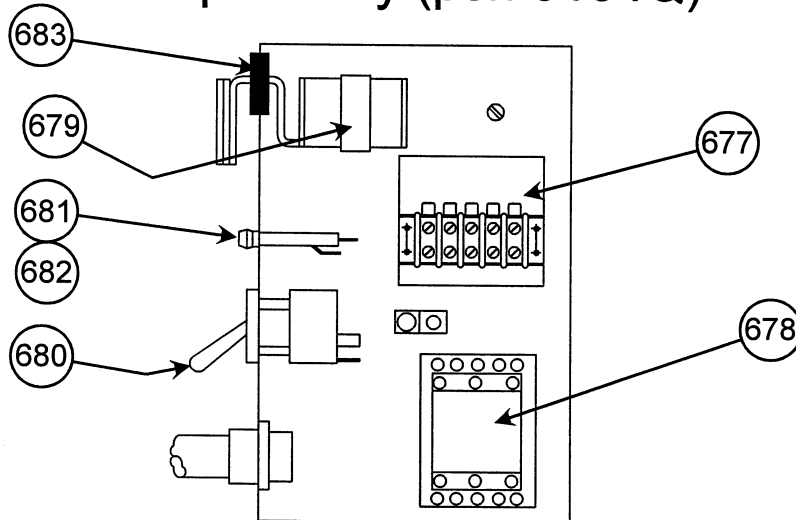




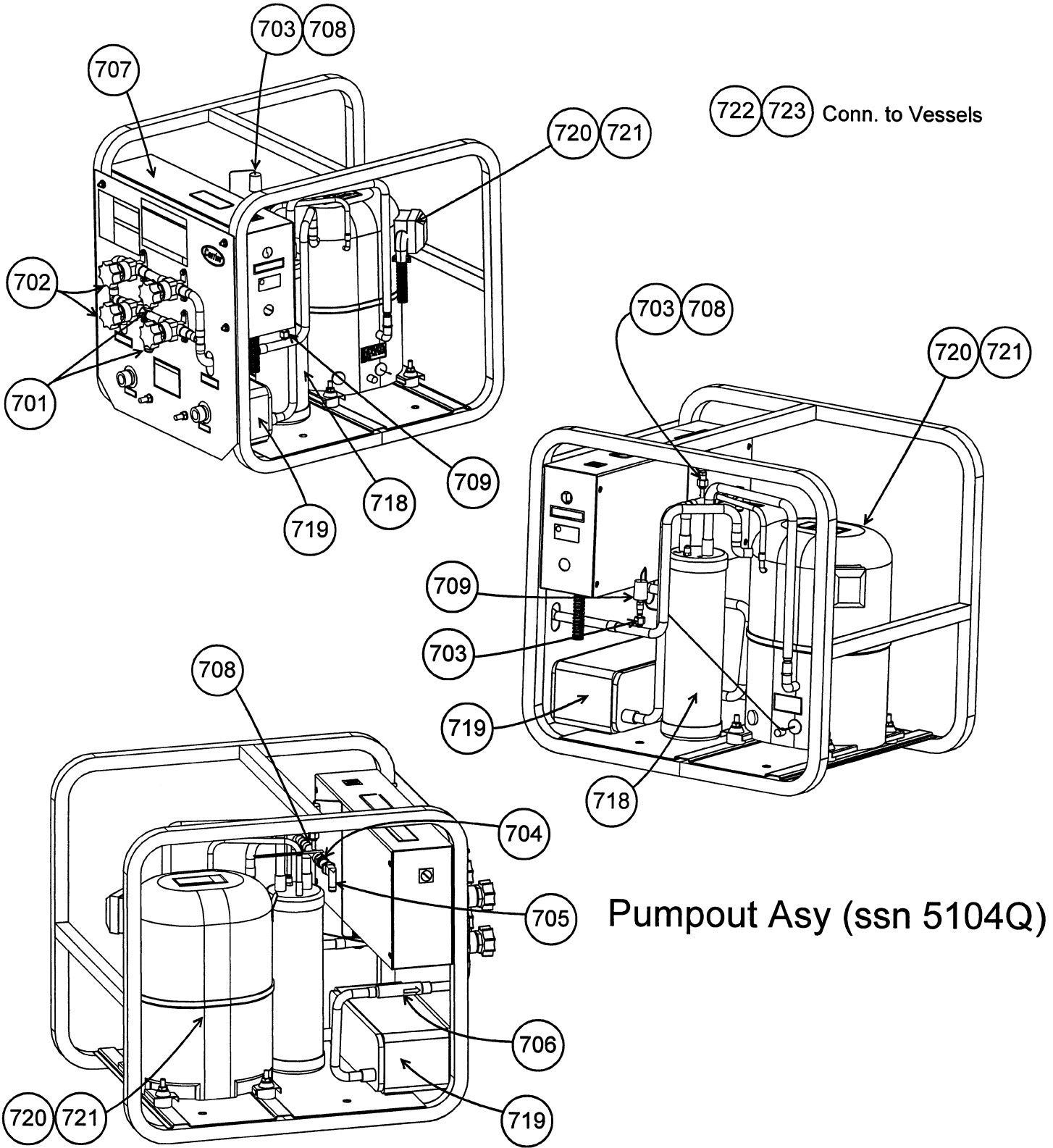
Control Panel For Machines With PIC II & PIC III Controls



Pumpout Asy (psn 5104Q)



Pumpout Control Box



Release Date: 9/06

Catalog No: RCD-3519-061 Revision: B

Supersedes: RCD-3519-061 Revision: A

Graphics Page: 57
Litho in U.S.A

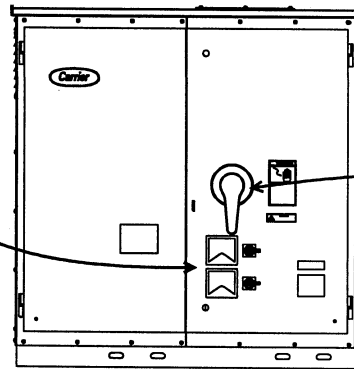


**Centrifugal Liquid Chiller
(Includes 19XR & 19XRV Info.)
PIC I, PIC II, PIC III Controls**

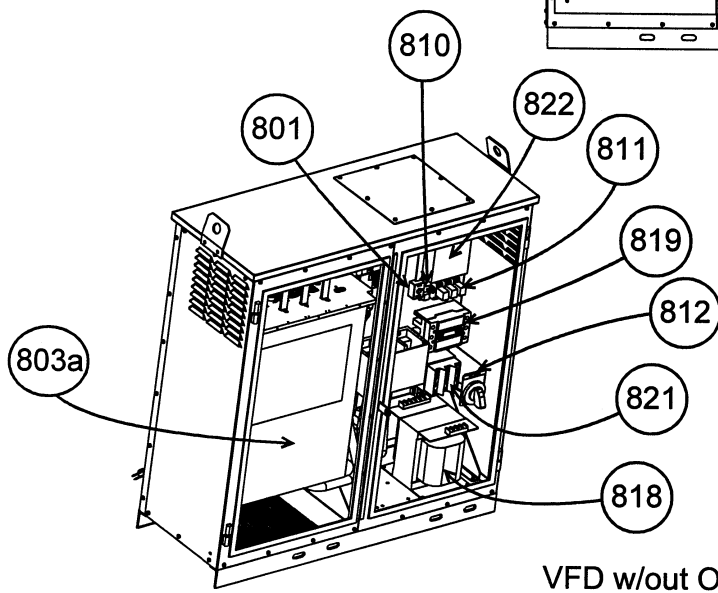
19XR

Liquid-Flo I (414 max amps)
Order Code/Assembly number
19XVR0414XXX

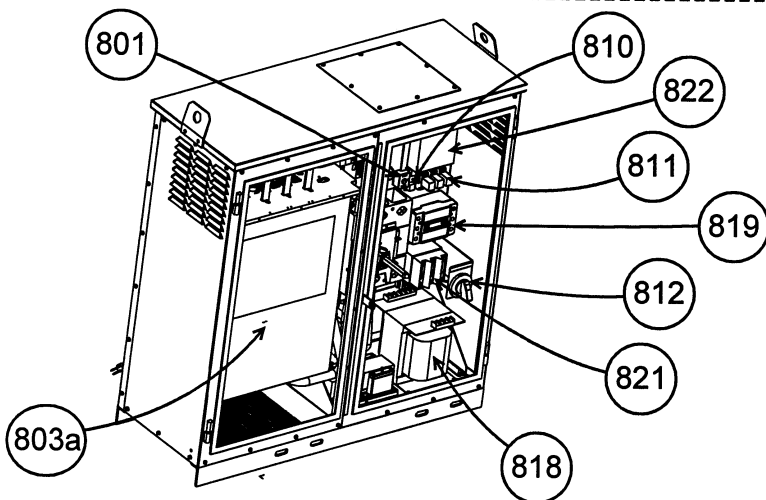
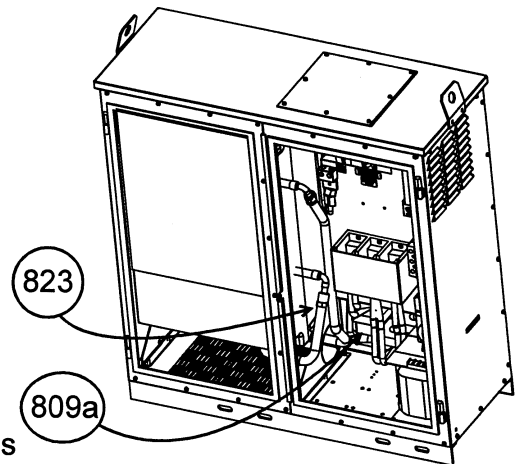
Note: PIC II Controls



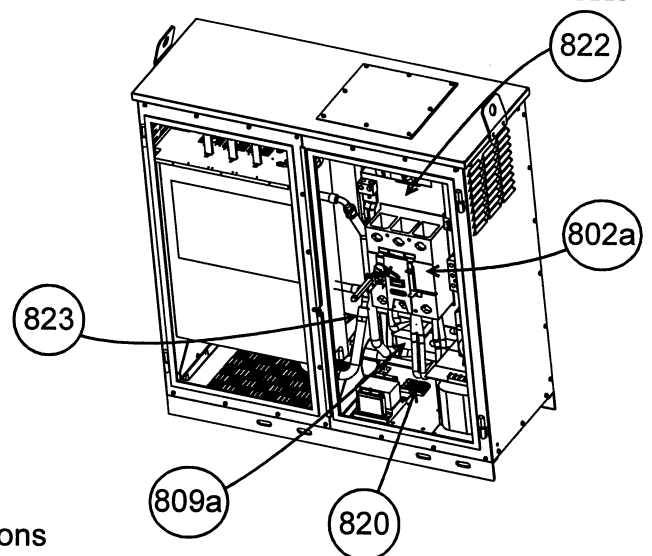
VFD w/Options Shown

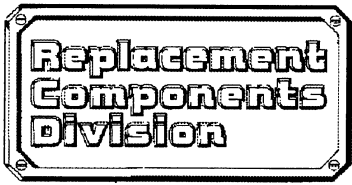


VFD w/out Options



VFD w/Options



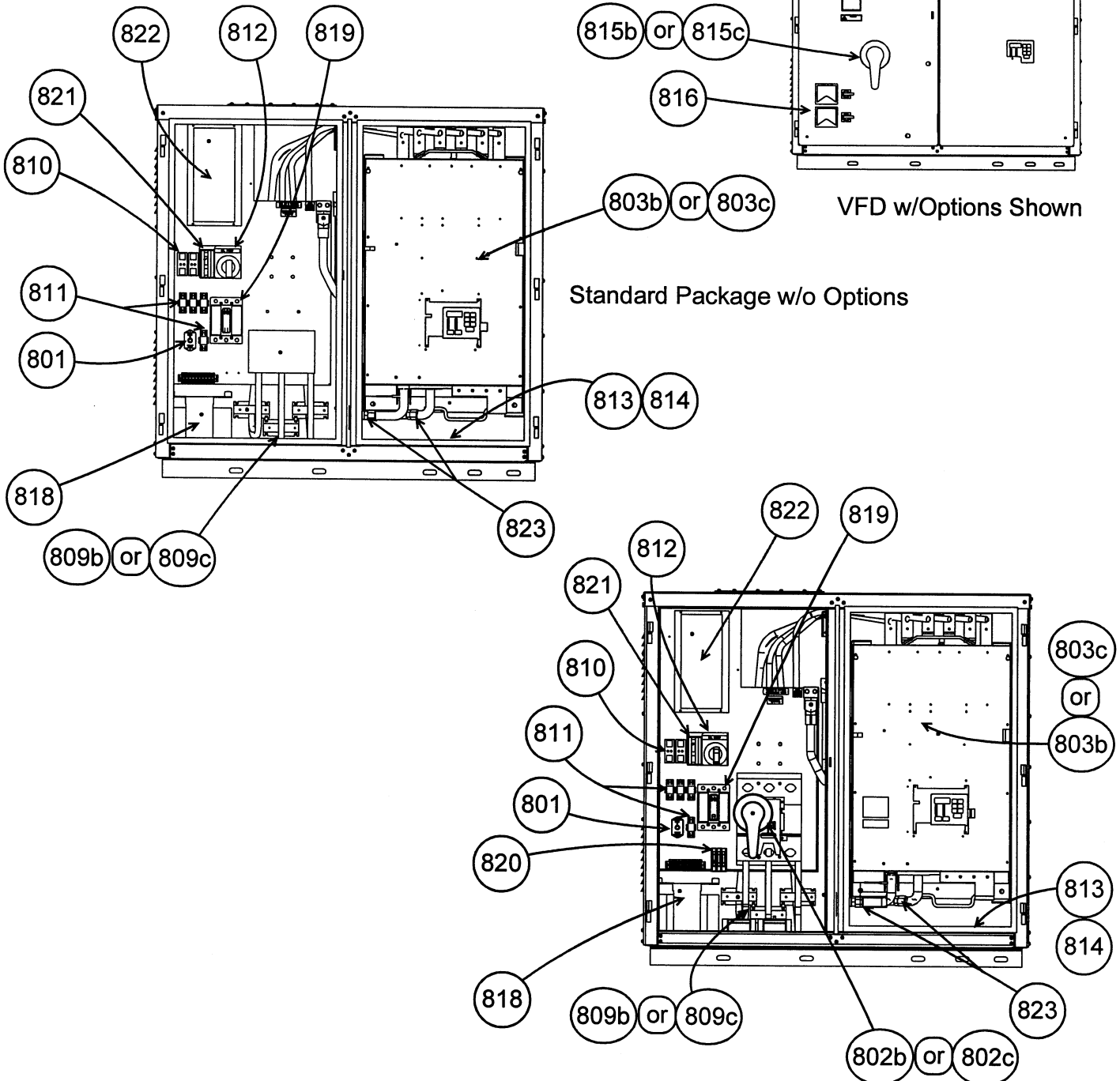


Centrifugal Liquid Chiller (Includes 19XR & 19XRV Info.) PIC I, PIC II, PIC III Controls

19XR

Note: PIC II Controls

Liquid-Flo I (500 & 643 max amps)
Order Code/Assembly number
19XVR0500XXX & 19XVR643XXX



Graphics Catalog
Catalog No: RCD-3519-061 (9/06)
Supersedes: RCD-3519-061

Rev. B
Rev. A

Circuit Breaker & Analog Meter Options

Graphics Page: 59
Litho in U.S.A

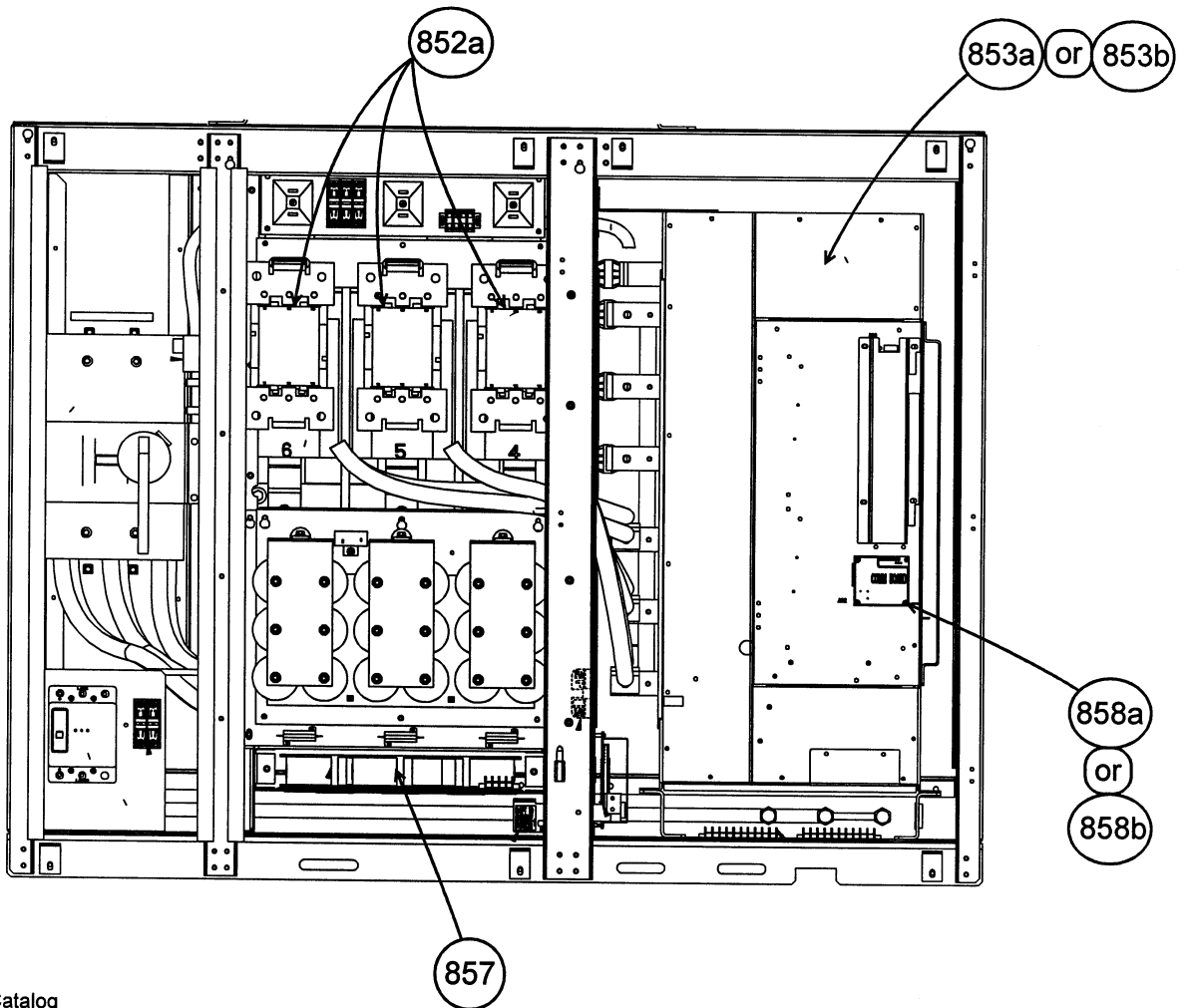
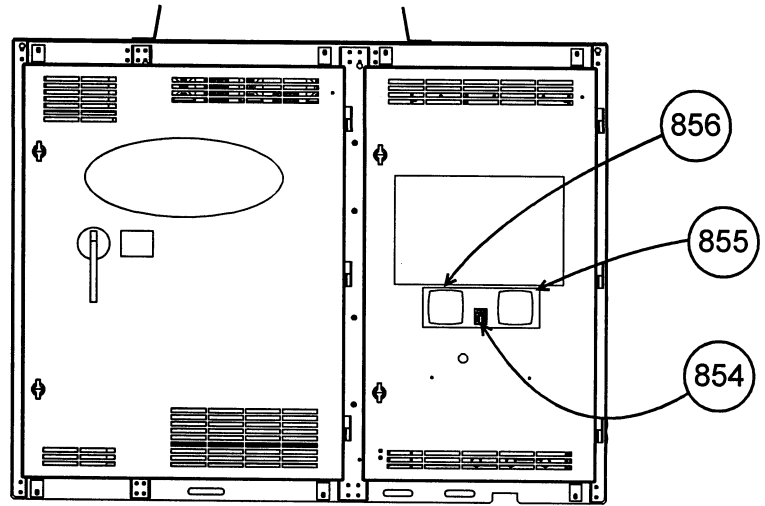


Centrifugal Liquid Chiller (Includes 19XR & 19XRV Info.) PIC I, PIC II, PIC III Controls

19XR

Note: PIC III Controls

Liquid-Flo II
Order Code/Assembly number
19XVA2AAXX & 19XVA2CCXX



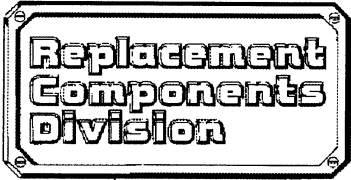
Graphics Catalog
Catalog No: RCD-3519-061 (9/06)
Supersedes: RCD-3519-061

Rev. B
Rev. A

Graphics Page: 60
Litho in U.S.A



Electronic Graphics 19061060

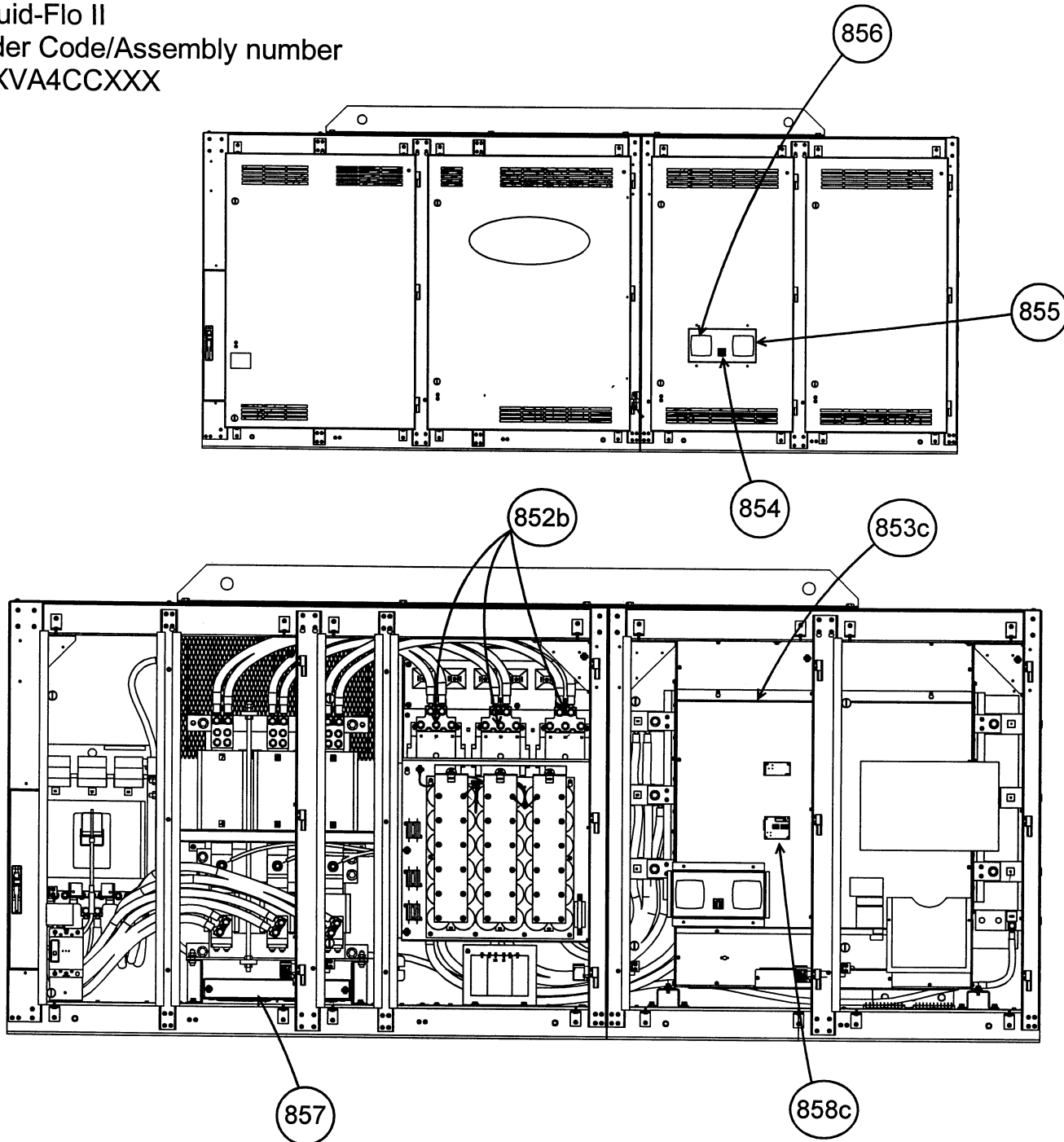


Centrifugal Liquid Chiller (Includes 19XR & 19XRV Info.) PIC I, PIC II, PIC III Controls

19XR

Note: PIC III Controls

Liquid-Flo II
Order Code/Assembly number
19XVA4CCXXX



Graphics Catalog
Catalog No: RCD-3519-061 (9/06)
Supersedes: RCD-3519-061

Rev. B
Rev. A

Graphics Page: 61
Litho in U.S.A



Electronic Graphics 19061061



**CENTRIFUGAL CHILLER
(INCLUDES 19XR & 19XRV
INFORMATION)**

19XR

SIZE: 002 005
SERIES: 1

ITM	PART DESCRIPTION	19XR FR#2	19XR FR#3	19XR FR#3 (REB)
		COMPR. SIZE	COMPR. SIZE	COMPR. SIZE
	Sales Package Notes:			
	19XR FR#2 = 19XR Machine With Frame #2 Coolers And Condensers.	Compressor & With Frame	1,2,3	
	19XR FR#3 = 19XR Machine With Frame #3 Element Bearings & With Frame #3,4,5 Coolers & Condensers.	Compressor Without Roller		
	19XR FR#3 REB = 19XR Machine With Frame #3 Element Bearings & Frame #3,4,5 Coolers & Condensers.	Compressor With Roller		
	19XR FR#4 = 19XR Machine With Frame #4 Diffuser & With Frame #5,6,7 Coolers & Condensers, Prior To January 2002.	Compressor Without Split Ring	Built	
	19XR FR#4 2002 = 19XR Machine With Frame #4 Ring Diffuser & With Frame #5,6,7 Coolers & Condensers Built After December 2001.	Compressor Without Split		
	19XR FR#4 SRD = 19XR Machine With Frame #4 Diffuser & With Frame #5,6,7 Coolers & Condensers.	Compressor With Split Ring		
	19XR FR#5 = 19XR Machine With Frame #5 Coolers & Condensers.	Compressor & With Frame	#7,8	
COMPRESSOR GROUP				
1 A	LABYRINTH,IMPELLER W/PIN PLUG IT#2 Compressor Codes Used On: 201,221,231,241,251,261,271,281,291,202,222 232,242,252,262,272,282,292	19XR660026	X	X
1 B	LABYRINTH,IMPELLER W/PIN PLUG IT#2 Compressor Codes Used On: 203,223,233,243,253,263,273,283,293,204,224 234,244,254,264,274,284,294,205,225,235,245 255,265,275,285,295	19XR660027	X	X
1 C	LABYRINTH,IMPELLER W/PIN PLUG IT#2 Compressor Codes Used On: 206,226,236,246,256,266,276,286,296,207,227 237,247,257,267,277,287,297	19XR660027	X	X
1 D	LABYRINTH,IMPELLER W/PIN PLUG IT#2 Compressor Codes Used On: 208,228,238,248,258,268,278,288,298	19XR660028	X	X
1 E	LABYRINTH,IMPELLER W/PIN PLUG IT#2 Compressor Codes Used On: 209,229,239,249,259,269,279,289,299	19XR660028	X	X
1 F	LABYRINTH,IMPELLER W/PIN PLUG IT#2 Compressor Codes Used On: 321,331,341,351,361,371,381,391,301,322,322 332,342,352,362,372,382,392,302	X	19XR660009	->
1 G	LABYRINTH,IMPELLER W/PIN PLUG IT#2 Compressor Codes Used On: 323,333,343,353,363,373,383,324,334,344,354 364,374,384,325,335,345,355,365,375,385 Note: Outside Diameter Of This Labrinth Is 6.30". Laby's 1G And 1H Are Size Dependent, Refer To Service Bulletin C9812 For More Info.	X	19XR660010	->
1 H	LABYRINTH,IMPELLER W/PIN PLUG IT#2 Compressor Codes Used On: 323,333,343,353,363,373,383,393,303,324,334 344,354,364,374,384,394,304,325,335,345 355,365,375,385,395,305 Note: Outside Diameter Of This Labrinth Is 6.20". Laby's 1G And 1H Are Size Dependent, Refer To Service Bulletin C9812 For More Info.	X	19XR660034	->

PARTS LIST CATALOG

PARTS LIST PAGE: 001

CATALOG NO.: RCD-3519-061 REV. B
SUPERSEDES : RCD-3519-061 REV. A

NOTE: SEE "CATALOG NOTES" ON LAST PAGE FOR EXPLANATION OF SYMBOLISM.



CENTRIFUGAL CHILLER
(INCLUDES 19XR & 19XRV
INFORMATION)

19XR

SIZE: 002 005
SERIES: 1

ITM	PART DESCRIPTION	19XR FR#2	19XR FR#3	19XR FR#3 (REB)	
		COMPR. SIZE	COMPR. SIZE	COMPR. SIZE	
COMPRESSOR GROUP					
1 I	LABYRINTH,IMPELLER W/PIN PLUG IT#2	X	19XR660011	->	
	Compressor Codes Used On: 326,336,346,356,366,376,386,396,306,327,337				
	347,357,367,377,387,397,307,328,338,348				
	358,368,378,388,398,308				
1 J	LABYRINTH,IMPELLER W/PIN PLUG IT#2	X	19XR660011	->	
	Compressor Codes Used On: 329,339,349,359,369				
1 K	LABYRINTH,IMPELLER W/PIN PLUG IT#2	X	19XR660012	->	
	Compressor Codes Used On: 379,389,399,309				
1 L	LABYRINTH,IMPELLER W/PIN PLUG IT#2	X	X	X	
	Compressor Codes Used On: 421,431,441,451,461,471,481,422,432,442,452				
	462,472,482,423,433,443,453,463,473,483				
	481,4C1,4D1,4E1,4F1,4G1,4H1,4B2,4C2,4D2,4E2				
	4F2,4G2,4H2,4B3,4C3,4D3,4E3,4F3,4G3,4H3,4J1				
	4K1,4H2,4J2,4K2,4J3,4K3,4L1,4L2,4L3,4M1,4H2				
	4M3.				
1 M	LABYRINTH,IMPELLER W/PIN PLUG IT#2	X	X	X	
	Compressor Codes Used On: 424,434,444,454,464,474,484,425,435,445,455				
	465,475,485,4B4,4C4,4D4,4E4,4F4,4G4,4H4,4B5				
	4C5,4D5,4E5,4F5,4G5,4H5,4J4,4K4,4J5,4K5,4L4				
	4L5,4M4,4M5.				
1 N	LABYRINTH,IMPELLER W/PIN PLUG IT#2	X	X	X	
	Compressor Codes Used On: 426,436,446,456,466,476,486,4B6,4C6,4D6,4E6				
	4F6,4G6,4H6,4J6,4K6,4L6,4M6.				
1 R	LABYRINTH,IMPELLER W/PIN PLUG IT#2	X	X	X	
	Compressor Codes Used On: 427,437,447,457,467,477,487,428,438,448,458				
	468,478,488,429,439,449,459,469,479,489,4B7				
	4B8,4B9,4C7,4C8,4C9,4D7,4D8,4D9,4E7,4E8,4E9				
	4F7,4F8,4F9,4G7,4G8,4G9,4H7,4H8,4H9,4J7,4K7				
	4L7,4M7.				
1 S	LABYRINTH,IMPELLER (SSN 0102QXXXXX)	X	X	X	
	Compressor Codes Used On: 521,531,541				
	For Machines Built Prior To s/n 0102QXXXXX See Item 2A.				
1 T	LABYRINTH,IMPELLER (SSN 0102QXXXXX)	X	X	X	
	Compressor Codes Used On: 501,511,561,571,581,591,502,522,532,542				
	552,562,572,582,592,523,533,543				
	For Machines Built Prior To s/n 0102QXXXXX See Item 2B.				
1 U	LABYRINTH,IMPELLER (SSN 0102QXXXXX)	X	X	X	
	Compressor Codes Used On: 503,553,563,573,583,593				
	For Machines Built Prior To s/n 0102QXXXXX See Item 2C.				
1 V	LABYRINTH,IMPELLER (SSN 0102QXXXXX)	X	X	X	
	Compressor Codes Used On: 504,524,534,544,554,564,574,584,594,525,535				
	And 545				
	For Machines Built Prior To s/n 0102QXXXXX See Item 2D.				
1 W	LABYRINTH,IMPELLER (SSN 0102QXXXXX)	X	X	X	
	Compressor Codes Used On: 505,555,565,575,585,595,506,526,536				



CENTRIFUGAL CHILLER
(INCLUDES 19XR & 19XRV
INFORMATION)

19XR

SIZE: 002 005
SERIES: 1

ITM	PART DESCRIPTION	19XR FR#2	19XR FR#3	19XR FR#3 (REB)
		COMPR. SIZE	COMPR. SIZE	COMPR. SIZE
COMPRESSOR GROUP				
		546,556,566,576,586,596,527,537,547		
		For Machines Built Prior To s/n 0102QXXXXX See Item 2E.		
1 X	LABYRINTH,IMPELLER (SSN 0102QXXXXX)	X	X	X
		Compressor Codes Used On: 507,557,567,577,587,597,508,528,538,548,558		
		568,578,588,598,509,529,539,549,559,569,579		
		589,599		
		For Machines Built Prior To s/n 0102QXXXXX See Item 2F.		
2	PIN PLUG (ALUM)(INCL. IN ITEM #1)	AX17VP025	->	->
2 A	LABYRINTH,IMPELLER (PSN 0102QXXXXX)	X	X	X
		Compressor Codes Used On: 521,531,541		
		For Machines Built After s/n 0102QXXXXX See Item 1S.		
2 B	LABYRINTH,IMPELLER (PSN 0102QXXXXX)	X	X	X
		Compressor Codes Used On: 501,551,561,571,581,591,502,522,532,542		
		552,562,572,582,592,523,533,543		
		For Machines Built After s/n 0102QXXXXX See Item 1T.		
2 C	LABYRINTH,IMPELLER (PSN 0102QXXXXX)	X	X	X
		Compressor Codes Used On: 503,553,563,573,583,593		
		For Machines Built After s/n 0102QXXXXX See Item 1U.		
2 D	LABYRINTH,IMPELLER (PSN 0102QXXXXX)	X	X	X
		Compressor Codes Used On: 504,524,534,544,554,564,574,584,594,525,535		
		And 545		
		For Machines Built After s/n 0102QXXXXX See Item 1V.		
2 E	LABYRINTH,IMPELLER (PSN 0102QXXXXX)	X	X	X
		Compressor Codes Used On: 505,555,565,575,585,595,506,526,536,546,556		
		566,576,586,596,527,537,547		
		For Machines Built After s/n 0102QXXXXX See Item 1W.		
2 F	LABYRINTH,IMPELLER (PSN 0102QXXXXX)	X	X	X
		Compressor Codes Used On: 507,557,567,577,587,597,508,528,538,548,558		
		568,578,588,598,509,529,539,549,559,569,579		
		589,599		
		For Machines Built After s/n 0102QXXXXX See Item 1X.		
3	SPACER,IMPELLER	02XR25001601	02XB35006801	->
4	KEY,IMPELLER	(2) 02XR25003101	(2) 02XR35005701	(2) ->
4 A	KEY,IMPELLER (SMALL DIA. SHAFT)	X	X	X
		Important! For Proper Selection Refer To Chart #2 On Graphic 19061004.		
4 B	KEY,IMPELLER (LARGE DIA. SHAFT)	X	X	X
		Important! For Proper Selection Refer To Chart #2 On Graphic 19061004.		
5	SHIM,IMPELLER	02XR25001701	X	02XR35003701
5 A	SHIM,IMPELLER (SMALL DIA. SHAFT)	X	02XR35003701	X
		Important! For Proper Selection Refer To Chart #2 On Graphic 19061004.		
5 B	SHIM,IMPELLER (LARGE DIA. SHAFT)	X	02XR35008601	X
		Important! For Proper Selection Refer To Chart #2 On Graphic 19061004.		
6	WASHER,IMPELLER	AU04AQ331	X	X
6 A	WASHER,IMPELLER (SMALL DIA. SHAFT)	X	02XB05002701	X
		Important! For Proper Selection Refer To Chart #2 On Graphic 19061004.		



CENTRIFUGAL CHILLER
(INCLUDES 19XR & 19XRV
INFORMATION)

19XR

SIZE: 002 005
SERIES: 1

ITM	PART DESCRIPTION	19XR FR#2	19XR FR#3	19XR FR#3 (REB)	
		COMPR. SIZE	COMPR. SIZE	COMPR. SIZE	
COMPRESSOR GROUP					
6 B	WASHER,IMPELLER (LARGE DIA. SHAFT)	X	02XB05002702	X	
	Important! For Proper Selection	Refer To Chart #2 On Graphic 19061004.			
7	WASHER,HARD	(8) 02XR05001901	(5) AU04AQ301	(5) AU04AV301	
8	WASHER,SEALING	X	(6) AU52NA131	(6) ->	
9	"0" RING (22" DIA)	X	X	X	
	Note: "0" Ring Groove Must Be Measured To Determine Proper Size.				
10	"0" RING (24" DIA)	X	X	X	
	Note: "0" Ring Groove Must Be Measured To Determine Proper Size.				
11	"0" RING (MOTOR COVER)	KK71EW467	KK71EW471	->	
12	"0" RING (HTR HSG/TRANS)	(2) KK71EW467	(2) KK71EW469	(2) ->	
13	"0" RING (DIFFUSER/BASE)	KK71EU071	KK71EW463	->	
14	"0" RING (OUTER DIFF)	KK71EW462	KK71EW469	->	
15	"0" RING (INNER DIFF)	KK71EW447	KK71EW449	->	
16	"0" RING (SUCT HSG)	KK71EW466	KK71EW471	KK71EW472	
17	"0" RING (OIL PUMP)	KK71EW268	->	->	
18	"0" RING (LABY GAS)	KK71EW116	KK71EW015	X	
19	"0" RING (LABY/TRANS)	KK71EW263	->	->	
20	"0" RING (OIL COOL)	KK71EW223	->	X	
21	"0" RING (COOLING OIL LINE)	X	X	X	
22	"0" RING (OIL HEATER)	KK71EW429	X	X	
23	NOSE PIECE	02XR25005301	X	02XR35008701	
23 A	NOSE PIECE (SMALL DIA. SHAFT)	X	02XR35000701	X	
	Important! For Proper Selection	Refer To Chart #2 On Graphic 19061004.			
23 B	NOSE PIECE (LARGE DIA. SHAFT)	X	02XR35008701	X	
	Important! For Proper Selection	Refer To Chart #2 On Graphic 19061004.			
23 C	NOSE PIECE (PSN 0102QXXXXX)	X	X	X	
23 D	NOSE PIECE (SSN 0102QXXXXX)	X	X	X	
24	"0" RING (EQUAL LINE)	KK71EW223	(2) KK71EW229	(2) ->	
25	FLANGE (2-BOLT,0-RING KK71EW223)	DK24CA727	X	X	
26	FLANGE (4-BOLT,0-RING KK71EW229)	DK16CB302	->	DK16CA250	
27	"0" RING (EQUAL LINE)	KK71EW229	X	X	
28	FLANGE (4-BOLT,0-RING KK71EW229)	X	X	02XR05005301	
29	ROLL PIN	(2) AX14CA064	X	(2) AX14CA064	
29 A	ROLL PIN (SMALL DIA. SHAFT)	X	(2) AX14CA096	X	
	Important! For Proper Selection	Refer To Chart #2 On Graphic 19061004.			
29 B	ROLL PIN (LARGE DIA. SHAFT)	X	(2) AX14CA064	X	
	Important! For Proper Selection	Refer To Chart #2 On Graphic 19061004.			
30	CAP SCREW,IMPELLER	AA44AA234	X	AA03AA268	
30 A	CAP SCREW,IMPELLER(SMALL DIA. SHAFT)	X	AA44AA237	X	
	Important! For Proper Selection	Refer To Chart #2 On Graphic 19061004.			
30 B	CAP SCREW,IMPELLER(LARGE DIA. SHAFT)	X	AA44AA269	X	
	Important! For Proper Selection	Refer To Chart #2 On Graphic 19061004.			
31	VALVE,SHUT-OFF	EN07AA285	->	X	
32	SEGMENT ASSEMBLY	(4) 02XR24002001	X	X	
33 A	SEGMENT ASSEMBLY (321 - 359 COMPR.)	X	02XR34001301	->	



CENTRIFUGAL CHILLER
(INCLUDES 19XR & 19XRV
INFORMATION)

19XR

SIZE: 002 005
SERIES: 1

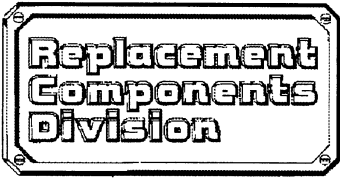
ITM	PART DESCRIPTION	19XR FR#2	19XR FR#3	19XR FR#3 (REB)
		COMPR. SIZE	COMPR. SIZE	COMPR. SIZE
COMPRESSOR GROUP				
33 B	SEGMENT ASSEMBLY (361 - 389 COMPR.)	X	(4) 02XR34001301	(4) ->
34	SEGMENT ASSEMBLY	X	X	X
35	PLUG,O-RING SEAL (SEGMENT ASY'S)	(8) CA64AM225	(8) ->	(8) ->
	Includes: Item #36.			
36 N	"O" RING,PLUG SEAL	KK71EW910	->	->
37	ELL CONNECTOR(3/4 X 3/8 FLX1 1/16-12	02XR25005701	X	X
	Includes: Item #38.			
38	"O" RING,ELL CONNECTOR	KK71EW912	X	X
39	COUPLING,MOTOR COOLING	X	X	(2) DE08DA101
40	SIGHT GLASS	(3) KM36BS162	(3) ->	(3) ->
	Includes: Item #41.			
41	"O" RING,SIGHT GLASS	KK71EW920	->	->
42	DEMISTER ASSEMBLY	02XR24000401	02XR34003301	02XR04001101
	Includes: Items #43 - 54.			
42 A	DEMISTER ASSEMBLY (SSN 1504Q)	02XR04001101	X	X
	Includes: Items #44 - 54a			
42 B	DEMISTER ASSEMBLY (SSN 2704Q)	X	X	X
43	HOUSING,DEMISTER	02XR24000301	02XR34003201	X
44	SUPPORT,DEMISTER	02XR25002501	X	02XR25002501
45	FILTER,DEMISTER	02XR25002601	02XR35007301	02XR05006501
45 A	FILTER,DEMISTER (SSN 1504Q)	02XR05006501	X	X
45 B	FILTER,DEMISTER (SSN 2704Q)	X	X	X
46	SUPPORT,DEMISTER	02XR25002501	02XR35007401	X
47	COVER,DEMISTER	02XR05005801	X	02XR05005801
48	SUPPORT,DEMISTER	02XR25002701	02XR35007201	X
49	COVER,DEMISTER	02XR05005901	X	02XR05005901
50	SUPPORT,DEMISTER	X	02XR35007601	X
51	SUPPORT,DEMISTER PLATE	02XR05006001	X	02XR05006001
52	SPACER	(2) 02XB35003802	(2) 02XB35003801	(2) ->
52 A	SPACER (SSN 1504Q)	02XB35003801	X	X
53	FILTER,DEMISTER (NOTCHED)	02XR25002602	02XR35007501	02XR05006502
53 A	FILTER,DEMISTER (NOTCHED)(SSN 1504	02XR05006502	X	X
53 B	FILTER,DEMISTER(NOTCHED)(SSN 2704Q	X	X	X
54	SPEED NUT	(2) AS01XD180	(2) ->	(2) AA06BR209
54 A	SPEED NUT (SSN 1504Q)	AA06BR209	X	X
55	OIL HEATER INFORMATION	SEE NOTE	->	->
	Note: For Some Frame #3 And Frame #4 Compressors Built Between 12/01			
	And 6/02 A Line Voltage Oil Heater Was Installed. Contact RCD			
	With Machine Serial For Proper Oil Heater Selection.			
	Or Refer To IT#34 On Job Data Label For Heater Part Number.			
55 A	OIL HEATER (115 VOLT)	02XR05001801	02XR35008201	->
55 B	OIL HEATER (380-416 VOLT) (WHITE)	X	X	02XR35011201
55 C	OIL HEATER (440-480 VOLT) (BLUE)	X	X	02XR35011202
55 D	OIL HEATER (346 VOLT) (YELLOW)	X	X	02XR35011203
55 E	OIL HEATER (575 VOLT) (RED)	X	X	02XR35011204

PARTS LIST CATALOG

PARTS LIST PAGE: 005

CATALOG NO.: RCD-3519-061 REV. B
SUPERSEDES : RCD-3519-061 REV. A

NOTE: SEE "CATALOG NOTES" ON LAST PAGE FOR EXPLANATION OF SYMBOLISM.



CENTRIFUGAL CHILLER
(INCLUDES 19XR & 19XRV
INFORMATION)

19XR

SIZE: 002 005
SERIES: 1

ITM	PART DESCRIPTION	19XR FR#2	19XR FR#3	19XR FR#3 (REB)
		COMPR. SIZE	COMPR. SIZE	COMPR. SIZE
COMPRESSOR GROUP				
55 F	OIL HEATER (200-220 VOLT) (BLACK)	X	X	02XR35011205
55 G	OIL HEATER (230-240 VOLT) (GRAY)	X	X	02XR35011206
56	SEAL WASHER (INSIDE)	X	AU29AB561	->
57	BRACKET,HEATER SUPPORT	X	02XR35008301	->
58	EXTERNAL RING,BOX (OIL HEATER)	X	HX22FB052	->
59	COVER,BOX (OIL HEATER)	HX02FB050	->	->
60	N MOTOR TEMP SENSOR (WITH REWIND ONLY)	(2) 32MP500354	(2) ->	(2) ->
61	HERMETIC TERM.(THRUST/MTR SENSOR)	(2) HY85FP022	(2) ->	(2) ->
62	COVER,BOX (THRUST/MOTOR SENSORS)	(2) HX08FZ050	(2) ->	(2) ->
63	BOX EXTENSION (THRUST/MTR SENSOR)	(2) HX22FS036	(2) ->	(2) ->
64	THRUST SENSOR ASSEMBLY	19XB04005301	->	02XR34012201
	Includes: Item #65.			
65	SENSOR (1.38" BULB)	HH79NZ044	->	HH79NZ076
66	MOTOR SPRAY NOZZLE	X	X	X
67	MOTOR SPRAY NOZZLE	02XR24003601	02XT34000401	->
68	ORIFICE,MOTOR SPRAY	02XR05002901	X	X
69	"O" RING	KK71EW912	X	X
70	COUPLING (3/4" TUBE)	X	X	DE08DA401
71	MOTOR COOLING ORIFICE	02XB35035501	02XB35035502	02XR05003003
71 A	MOTOR COOLING ORIFICE (3/8 NOM.)	X	X	X
71 B	O-RING	X	X	X
71 C	MOTOR COOLING ORIFICE (3/4 NOM.)	X	X	X
71 D	O-RING	X	X	X
71 E	MOTOR COOLING ORIFICE (0.109/0.104)	X	X	X
71 F	O-RING	X	X	X
71 G	MOTOR COOLING ORIFICE (0.156/0.151)	X	X	X
71 H	O-RING	X	X	X
71 J	MOTOR COOLING ORIFICE (0.255/0.250)	X	X	X
71 K	O-RING	X	X	X
71 L	CONNECTOR (3/4")	X	X	X
72	CAP,FLARE 1/2"	(2) DD19DA201	(2) ->	(2) ->
73	GASKET,FLARE 1/2"	(2) DD24FA151	(2) ->	(2) ->
74	VALVE,OIL CHARGE (3/8"NPT)	EP23LA155	->	->
75	FITTING,IMPELLER PRESS. TUBE	X	X	X
76	VALVE,ANGLE	EP12BC272	->	X
77	ROLL PIN (1/4"OD X 3/4"LG)	X	AX14CA168	->
78	ROLL PIN,IMPELLER LABY	X	X	AZ17VP025
79	POSITIONING WASHER (OIL HEATER)	X	02XR45006001	->
80	ELBOW,90 DEG. SWIVEL	(3) DD41CA501	X	DD41CA501
81	ELBOW,90 DEG. SWIVEL	DD41CA502	X	DD41CA502
82	CONNECTOR,STR(1-1/16-12)	X	DC80SA032	->
	Includes: Item #83.			
83	"O" RING,STR CONNECTOR	X	KK71EW912	->
84	CONNECTOR,STR. (7/8 X 1-3/16-12)	X	X	DC80SA040
	Includes: Item #85.			



CENTRIFUGAL CHILLER
(INCLUDES 19XR & 19XRV
INFORMATION)

19XR

SIZE: 002 005
SERIES: 1

ITM	PART DESCRIPTION	19XR FR#2	19XR FR#3	19XR FR#3 (REB)
		COMPR. SIZE	COMPR. SIZE	COMPR. SIZE
COMPRESSOR GROUP				
85	"0" RING,STR CONNECTOR	X	X	KK71EW914
86	COUPLING (3/4" NPT)(USED AFTER 12/01	DD07DA502	X	DD07DA502
87	TRANSDUCER,PRESSURE	(2) HK05Y2007	(2) ->	(2) ->
88	VALVE,SERVICE (SCHRADER)	(4) 06DA403844	(4) ->	(4) ->
89	STR CONNECTOR(3/8 X 9/16-18)	02XB05000301	->	(3) ->
	Includes: Item #90.			
90	"0" RING,STR CONNECTOR	KK71EW906	->	->
91	ELL CONNECTOR(3/8 X 9/16-18)	(3) 02XB05000601	(2) ->	->
	Includes: Item #92.			
92	"0" RING,ELL CONNECTOR	KK71EW906	->	->
93	STRAINER (OIL RECLAIM)	KH11NG070	->	->
94	EDUCTOR	02XB05002201	->	02XR05004303
94 A	EDUCTOR (SSN 1504Q)	02XR05004302	X	X
94 B	EDUCTOR (SSN 2704Q)	X	X	X
95	ELBOW,SWIVEL (90 DEG.1/2")	DD41CA101	->	X
96	STRAIGHT CONNECTOR (SHORT)	02XB05000501	->	->
	Includes: Item #97.			
97	"0" RING,STR CONNECTOR (SHORT)	KK71EW912	->	->
98	STR CONNECTOR(LONG)(3/4 X 1 1/16-12)	02XB05000201	->	->
	Includes: Item #99.			
99	"0" RING,STR CONNECTOR	KK71EW912	->	->
100	FITTING,IN-LINE STRAINER	02XB05001001	02XR35006901	->
	Includes: Item #101.			
100 A	FITTING,IN-LINE STRAINER	02XR35006901	X	X
101	"0" RING,STRAINER FITTING	KK71EW906	->	->
101 A	COUPLING,RECLAIM SUCTION LINE	X	X	X
102	SIGHTGLASS (3/8 FL)	KM43AG002	->	->
103	EXPANSION VALVE	(2) 02XR05000101	(2) ->	02XR05004001
103 A	EXPANSION VALVE (SSN 1504Q)	02XR05006701	X	X
103 B	EXPANSION VALVE (SSN 2704Q)	X	X	X
104	HIGH DISCHARGE CUTOUT SWITCH	HK022A165	->	(2) ->
106	TEMPERATURE SENSOR	X	X	X
106 A	PLUG,O-RING SEAL (9/16-18)	CA63JM101	X	X
	Includes: Item #106b			
106 B	"0" RING,PLUG SEAL	KK71EW906	X	X
107	PLUG,O-RING SEAL (7/16-20)	(2) CA64AM125	X	(2) CA64AM125
	Includes: Item #108.			
108	"0" RING,PLUG SEAL	KK71EW904	X	KK71EW904
109	SEAL HOUSING ASY (DIFFUSER DRIVE)	X	X	X
	Includes: Items #110 - 120.			
109 A	SEAL HSG ASY(DIFF. DRIVE)(PSN 2704Q)	X	X	X
109 B	SEAL HSG ASY(DIFF. DRIVE)(SSN 2704Q)	X	X	X
110	SEAL RETAINER & BEARING ASY	X	X	X
110 A	SEAL HOUSING (PSN 2704Q)	X	X	X
110 B	SEAL HOUSING (SSN 2704Q)	X	X	X

PARTS LIST CATALOG

PARTS LIST PAGE: 007

CATALOG NO.: RCD-3519-061 REV. B
SUPERSEDES : RCD-3519-061 REV. A

NOTE: SEE "CATALOG NOTES" ON LAST PAGE FOR EXPLANATION OF SYMBOLISM.



CENTRIFUGAL CHILLER
(INCLUDES 19XR & 19XRV
INFORMATION)

19XR

SIZE: 002 005
SERIES: 1

ITM	PART DESCRIPTION	19XR FR#2	19XR FR#3	19XR FR#3 (REB)	
		COMPR. SIZE	COMPR. SIZE	COMPR. SIZE	
COMPRESSOR GROUP					
111	"O" RING	X	X	X	
112	BUSHING	X	X	X	
113	"O" RING	X	X	X	
114	PINION & SHAFT	X	X	X	
114 A	PINION & SHAFT (PSN 2704Q)	X	X	X	
114 B	PINION & SHAFT (SSN 2704Q)	X	X	X	
115	PELLET	X	X	X	
116	WASHER, THRUST	X	X	X	
117	"O" RING	X	X	X	
118	"V" RING ASY	X	X	X	
119	"V" RING ASY	X	X	X	
120	BUSHING	X	X	X	
121	WHEEL ASY, VARIABLE DIFFUSER	X	X	X	
122	CAM LOCK, ROLLER	X	X	X	
123	GEAR RACK	X	X	X	
124	BRACKET, ACTUATOR SUPPORT	X	X	X	
125	MOTOR, ACTUATOR (VARIABLE DIFFUSER)	X	X	X	
126	POTENTIOMETER	X	X	X	
127	"O" RING (DIFFUSER/BASE)	X	X	X	
128	"O" RING (DIFFUSER DRIVE SEAL)	X	X	X	
129	MOUNTING RING	X	X	X	
130 A	COUPLING, JAW (PSN 2704Q)	X	X	X	
130 B	COUPLING, JAW (SSN 2704Q)	X	X	X	
131	GUARD, DIFFUSER CHAIN	X	X	X	
132	SPROCKET, DIFFUSER DRIVE	X	X	X	
133	SPROCKET, DIFFUSER MOTOR	X	X	X	
134	CHAIN, DIFFUSER DRIVE	X	X	X	
135	SUPPORT FOOT, DIFFUSER	X	X	X	
136	POINTER	X	X	X	
137	CONNECTOR, STRAIGHT (3/4 X 1-1/16-12)	X	X	02XR05009401	
138	"O" RING	X	X	KK71EW912	
COMPRESSOR TRANSMISSION ASSEMBLY					
200	BEARING, DRIVE END LO-SPEED	02XR25003301	02XR35017401	->	
201	COVER, HI-SPEED OIL CATCHER	02XR25004101	02XR35002801	X	
202	COVER, LO-SPEED OIL CATCHER	02XR25004001	02XR35002501	->	
203	BEARING, COMPR. END LO-SPEED	02XR25003401	02XR35002301	->	
204	BEARING, DRIVE END HI-SPEED	02XR25003501	02XR35002401	02XR35014901	
205	SHAFT LABYRINTH, LO-SPEED	X	X	X	
206	SHAFT LABYRINTH, LO-SPEED (SEE NOTE)	02XR24000101	02XR35003101	X	
For Proper Selection Refer To Chart 1A Or 1B On Graphic Page 19061004.					
207	SHAFT LABYRINTH, LO-SPEED (SEE NOTE)	02XR25006801	02XR34003801	02XR34003804	
For Proper Selection Refer To Chart 1A Or 1B On Graphic Page 19061004.					
208	SHAFT LABYRINTH, LO-SPEED (SEE NOTE)	X	02XR34003804	02XR34013301	
For Proper Selection Refer To Chart 1A Or 1B On Graphic Page 19061004.					
209 A	ROTOR & LO-SPEED GEAR ASY (60HZ)	PER MACHINE	->	02XR34012501	

PARTS LIST CATALOG

PARTS LIST PAGE: 008

CATALOG NO.: RCD-3519-061 REV. B
SUPERSEDES: RCD-3519-061 REV. A

NOTE: SEE "CATALOG NOTES" ON LAST PAGE FOR EXPLANATION OF SYMBOLISM.



CENTRIFUGAL CHILLER
(INCLUDES 19XR & 19XRV
INFORMATION)

19XR

SIZE: 002 005
SERIES: 1

ITM	PART DESCRIPTION	19XR FR#2	19XR FR#3	19XR FR#3 (REB)	
		COMPR. SIZE	COMPR. SIZE	COMPR. SIZE	
COMPRESSOR TRANSMISSION ASSEMBLY					
	Includes: Items #210 - 212.				
209 B	ROTOR & LO-SPEED GEAR ASY (50HZ)	PER MACHINE	->	02XR34012502	
	Includes: Items #210 - 212.				
210 A	GEAR,LO-SPEED (60HZ)	02XR25003001	X	X	
	For Frame 2 Compr. Only! For Proper Selection Refer To Chart #1A On Graphic Page 19061004.				
210 B	GEAR,LO-SPEED (50HZ)	02XR25003002	X	X	
	For Frame 2 Compr. Only! For Proper Selection Refer To Chart #1A On Graphic Page 19061004.				
210 C	GEAR,LO-SPEED (60HZ)	02XR25006901	X	X	
	For Frame 2 Compr. Only! For Proper Selection Refer To Chart #1A On Graphic Page 19061004.				
210 D	GEAR,LO-SPEED (50HZ)	02XR25006902	X	X	
	For Frame 2 Compr. Only! For Proper Selection Refer To Chart #1A On Graphic Page 19061004.				
210 E	GEAR,LO-SPEED (60HZ)	02XR25008501	02XR35002901	02XR35015401	
	For Frame 2 Compr. Only! For Proper Selection Refer To Chart #1A On Graphic Page 19061004.				
210 F	GEAR,LO-SPEED (50HZ)	02XR25008501	02XR35002902	02XR35015402	
	For Frame 2 Compr. Only! For Proper Selection Refer To Chart #1A On Graphic Page 19061004.				
211	RING,RETAINING	X	02XR35003501	->	
211 A	RING,RETAINING	02XR35003501	X	X	
	For Frame 2 Compr. Only! For Proper Selection Refer To Chart #1A On Graphic Page 19061004.				
211 B	RING,RETAINING	02XR25006701	X	X	
	For Frame 2 Compr. Only! For Proper Selection Refer To Chart #1A On Graphic Page 19061004.				
211 C	RING,RETAINING	02XR35003501	X	X	
	For Frame 2 Compr. Only! For Proper Selection Refer To Chart #1A On Graphic Page 19061004.				
212	KEY	(2) 02XR25000601	(2) 02XR35003601	(2) ->	
213	SHROUD ASSEMBLY (SEE NOTE)	02XR24000201	02XR34000301	02XR34008201	
	Frame 2 Compr.Only! Use for Machines with Serial Number Prior to 1504Q				
213 A	SHROUD ASSEMBLY (SEE NOTE)	02XR24006101	X	X	
	Frame 2 Compr.Only! Use for Machines with Serial Number After 1504Q				
214	STRIPPER (GEAR OIL)	02XB35014401	->	X	
THRUST BEARING ASSEMBLY					
215 A	HI-SPEED SHAFT ASY(60HZ)	02XR24007601	02XR34000201	X	
	Includes: Items #216 - 227.				
215 B	HI-SPEED SHAFT ASY(50HZ)	02XR24007602	02XR34000202	X	
	Includes: Items #216 - 227.				
215 C	HI-SPEED SHAFT ASY (60HZ) (PSN 0102Q)	X	X	X	
	Includes: Items #216 - 227.				
215 D	HI-SPEED SHAFT ASY (50HZ) (PSN 0102Q)	X	X	X	

PARTS LIST CATALOG

PARTS LIST PAGE: 009

CATALOG NO. : RCD-3519-061 REV. B
SUPERSEDES : RCD-3519-061 REV. A

NOTE: SEE "CATALOG NOTES" ON LAST PAGE FOR EXPLANATION OF SYMBOLISM.



**CENTRIFUGAL CHILLER
(INCLUDES 19XR & 19XR
INFORMATION)**

19XR

SIZE: 002 005
SERIES: 1

ITM	PART DESCRIPTION	19XR FR#2	19XR FR#3	19XR FR#3 (REB)
		COMPR. SIZE	COMPR. SIZE	COMPR. SIZE
THRUST BEARING ASSEMBLY				
	Includes: Items #216 - 227.			
215 E	HI-SPEED SHAFT ASY (60HZ) (SSN 0102Q)	X	X	X
	Includes: Items #216 - 227.			
215 F	HI-SPEED SHAFT ASY (50HZ) (SSN 0102Q)	X	X	X
	Includes: Items #216 - 227.			
216 A	IMPELLER SHAFT (60HZ)	02XR25008601	02XR35008401	X
	Important! For Frame #3 And #4 Compr. Only, Refer To Impeller Shaft Selection Chart #1 On Graphic 19061004 And Bulletin C9921.			
216 B	IMPELLER SHAFT (50HZ)	02XR25008602	02XR35008402	X
	Important! For Frame #3 And #4 Compr. Only, Refer To Impeller Shaft Selection Chart #1 On Graphic 19061004 And Bulletin C9921.			
216 C	IMPELLER SHAFT (60HZ) (PSN 0102Q)	X	X	X
216 D	IMPELLER SHAFT (50HZ) (PSN 0102Q)	X	X	X
216 E	IMPELLER SHAFT (60HZ) (SSN 0102Q)	X	X	X
216 F	IMPELLER SHAFT (50HZ) (SSN 0102Q)	X	X	X
217	SLINGER	02XR25000801	02XB35016301	X
218	THRUST BEARING ASSEMBLY	19XR660031	19XR660013	X
	Includes: Item #219.			
219	ROLL PIN	(12) AX14CA035	(12) -->	X
220	THRUST SHOE ASSEMBLY (SET OF 6)	19DA13203	02XR44000601	X
221	SPACER RING	02XR25001001	02XR45003901	X
222	SEAL RING	02XR25001501	02XR45004101	X
223	RETAINING RING	AU48AA451	AU48AA511	X
224	RETAINING RING (5-1/2")	02XR25001101	02XR45004001	X
225	LEVELING PAD	(12) 19D110103	(12) -->	X
226	ADJUSTING PAD PACKAGE	19D23841	-->	X
227	SCREW, SOCKET HEAD	(5) AA44AA108	(5) AA44AA109	X
ROLLER ELEMENT BEARING (REB)				
228 A	SHAFT ASY, HI-SPEED (REB) (60HZ)	X	X	02XR34012101
228 B	SHAFT ASY, HI-SPEED (REB) (50HZ)	X	X	02XR34012102
229 A	SHAFT, IMPELLER (REB) (60HZ)	X	X	02XR35014201
229 B	SHAFT, IMPELLER (REB) (50HZ)	X	X	02XR35014202
230	SPRING, WAVE (REB)	X	X	02XR35014401
231	RETAINER, HI-SPEED THRUST BEARING (X	X	02XR35014501
232	SPACER, HI-SPEED THRUST BEARING (RE	X	X	02XR35014601
233	ROLLER BEARING, HI-SPEED THRUST (RE	X	X	02XR35014701
234	ROLLER BEARING, HI-SPD COUNTER THRU	X	X	02XR35014801
235	ROLLER BEARING, CYLINDRICAL (REB)	X	X	02XR35014901
236	SPACER, HI-SPEED SHAFT (REB)	X	X	02XR35015001
237	SPACER, HI-SPEED LUBE (REB)	X	X	02XR35015101
238	RING, RETAINER (REB)	X	X	AU48AA511
239	"O" RING (REB)	X	X	KK71GW038
240	RETAINER, HI-SPEED SHAFT (REB)	X	X	02XR35014101
241	RETAINER, HI-SPEED SHAFT BEARING (REB	X	X	02XR35015201
242	"O" RING (9/16) (REB)	X	X	KK71EW015

PARTS LIST CATALOG

PARTS LIST PAGE: 010

CATALOG NO.: RCD-3519-061 REV. B
SUPERSEDES: RCD-3519-061 REV. A

NOTE: SEE "CATALOG NOTES" ON LAST PAGE FOR EXPLANATION OF SYMBOLISM.



**CENTRIFUGAL CHILLER
(INCLUDES 19XR & 19XRV
INFORMATION)**

19XR

SIZE: 002 005
SERIES: 1

ITM	PART DESCRIPTION	19XR FR#2	19XR FR#3	19XR FR#3 (REB)
		COMPR. SIZE	COMPR. SIZE	COMPR. SIZE
	ROLLER ELEMENT BEARING (REB)			
243	"O" RING (5/16) (REB)	X	X	KK71JV004
	GUIDE VANE & BLADE RING			
244	BLADE RING ASSEMBLY	02XR24007701	02XR34000501	02XR34011901
	Includes: Items #245 - 258.			
244 A	BLADE RING ASSEMBLY (SSN 2704Q)	X	X	X
	Includes: Items #245a - 258.			
245	PULLEY,DRIVE	02XR25006501	19EA411003	02XR35012501
245 A	PULLEY,DRIVE (SSN 2704Q)	X	X	X
246	PULLEY,BLADE	(6) 02XB35001701	(6) 19EA412142	(6) 02XR35001702
246 A	PULLEY,BLADE (SSN 2704Q)	X	X	X
247	PULLEY,IDLER	(7) 19D211252	(7) ->	(7) ->
247 A	PULLEY,IDLER (SSN 2704Q)	X	X	X
248	BUSHING,BLADE	(14) KT53XL066	(14) KT53XL093	(14) ->
249	BLADE,PREWHIRL	(7) 02XB34003301	(7) 02XR34003701	(7) ->
249 A	BLADE,PREWHIRL (SSN 2704Q)	X	X	X
250	CABLE,GUIDE VANE	02XR04001301	19EA43102	02XR04001302
251 A	TAPERED SHAFT (IDLER PULLEY)	(7) 02XB35005401	(7) 19EA431001	X
251 B	BOLT,SHOULDER (IDLER PULLEY)	(7) AH27AM232	(7) AH27AM172	(7) ->
253	BUSHING (IDLER PULLEY)	(7) KT53XL055	(7) ->	(7) ->
254	SNAP RING/HEX NUT(USED W/ITEM 164A)	(7) AT39AA241	(14) AU48AR061	X
255	NUT,JAM (USED W/ITEM 164B)	(7) AT40AA241	(7) AT40AA301	(7) AT40AA241
256	COTTER PIN (3/32)	X	(2) AX01AA027	X
257	SET SCREW 1/4-20	X	(2) AE13AR170	X
258	WASHER	(7) 19EA512012	(7) ->	X
259	SEAL HOUSING	02XB35008101	->	X
260	SEAL HOUSING ASY.	02XR04001201	02XB35008101	02XR04001201
	Includes: Items #261 - 263.			
261	BUSHING	KT53XL093	->	->
262	"O" RING	KK71EW212	->	->
263	"O" RING	KK71EW924	->	->
264	DRIVE SHAFT (STAINLESS STEEL)	02XR25005201	02XR35002001	02XR05004403
264 A	DRIVE SHAFT (S'LESS STEEL)(SSN 1504Q)	X	X	X
264 B	DRIVE SHAFT (S'LESS STEEL)(SSN 2704Q)	X	X	X
265	"V" RING (INNER)	KK71HT016	->	X
266	"V" RING (OUTER)	KK71HT014	->	X
267	"O" RING (2.50"OD)	KK71EW228	->	X
268	WASHER	AU51YA391	->	->
269	PELLET (1/8" DIA NYLON)	19EA411031	->	X
270	ROLL PIN (11/16" LG)	AX14CA031	AX14CA044	->
270 A	ROLL PIN (11/16" LG)(SSN 1504Q)	X	X	X
271	KEY	19D211391	->	->
272 A	MOTOR,ACTUATOR (PIC I MACH.)	HF26BB026	->	X
272 B	POTENTIOMETER	AD-718-702	->	X
272 C	MODULE,DRIVE	CP-8391-920	->	X
272 D	MOTOR,ACTUATOR (PIC II MACH.)	HF26BB030	->	->

PARTS LIST CATALOG

PARTS LIST PAGE: 011

CATALOG NO.: RCD-3519-061 REV. B
SUPERSEDES : RCD-3519-061 REV. A

NOTE: SEE "CATALOG NOTES" ON LAST PAGE FOR EXPLANATION OF SYMBOLISM.



CENTRIFUGAL CHILLER
(INCLUDES 19XR & 19XR
INFORMATION)

19XR

SIZE: 002 005
SERIES: 1

ITM	PART DESCRIPTION	19XR FR#2	19XR FR#3	19XR FR#3 (REB)	
		COMPR. SIZE	COMPR. SIZE	COMPR. SIZE	
GUIDE VANE & BLADE RING					
272 E	POTENTIOMETER	AD-718-704	->	->	
273	MOUNTING PLATE (ABS)	02XR05002801	->	->	
274	CHAIN GUARD (ABS)	02XR05003301	->	->	
275	CHAIN KIT (#35) (3/8" PITCH)	19FA660016	->	->	
276	SPROCKET,HUB	17FA5021583	->	X	
277	SPROCKET,DRIVE	17FA5021712	->	02XR05009201	
277 A	SPROCKET,DRIVE (SSN 2704Q)	X	X	X	
278	SPROCKET,SHAFT	17FA5121543	->	02XR05005701	
278 A	SPROCKET,SHAFT (SSN 2704Q)	X	X	X	
279	EXPANSION NUT (#8 NYLON)	(9) AT99RA101	(9) ->	X	
280	SET SCREW (5/16-18 X 1/2" LG)	(2) AE12AA196	(2) ->	(2) ->	
281	SPACER (1/2")	(3) 17FA5021762	(3) ->	X	
282	SPACER (1-1/8")	(2) 02XR45006202	(2) ->	X	
283	SPACER (1-7/8")	(2) 02XR45006201	(2) ->	(2) ->	
284	KEY	17FA5021782	->	->	
TERMINAL ARRANGEMENT					
285	SPRING WASHER (LO-VOLT)(INTERNAL)	(6) AU51AS543	(6) ->	(6) ->	
286	LO-VOLTAGE TERMINAL ASY.	(6) HY85AA062	(6) ->	(6) ->	
	Includes: Item #287.				
287	LO-VOLT TERMINAL "0" RING	(6) KK71EW914	(6) ->	(6) ->	
288	LO-VOLTAGE TERMINAL FOAM PAD	19XR25000401	->	->	
289	LO-VOLTAGE TERMINAL FRAME ASY.	19XR24001301	19XR34000801	->	
290	THERMAL INSULATOR (1 1/8" OD)	(6) 02XB05001801	(6) ->	(6) ->	
291	N INSULATING SLEEVE,LO-VOLT TERMS.	(6) LF33MM112	(6) ->	(6) ->	
292	N INSULATING SLEEVE,LO-VOLT TERMS.(VFD)	X	(6) LF33MM112	(6) ->	
293	N INSULATING PUTTY,MED-VOLT TERMS.	19EA4111102	->	->	
294	N ELECTRICAL TAPE,MED-VOLT TERMS.	19EA4111112	->	->	
295	HI-VOLTAGE TERMINAL ASY.	X	(3) 02XB05003001	(3) ->	
	Includes: Items #296 - 298.				
296	HI-VOLTAGE TERM. "0" RING (INNER)	X	(3) KK71EW325	(3) ->	
297	HI-VOLTAGE TERM. "0" RING (OUTER)	X	(3) KK71EW311	(3) ->	
298	HI-VOLTAGE TERMINAL REBUILD KIT	X	19XR660018	->	
	Note: Consists Of Hex Nut, Washer, Sleeves And "0" Rings It# 296 & 297				
299	HI-VOLTAGE TERMINAL STUD	X	(3) 02XB05003101	(3) ->	
	Note: Terminal Stud May Req. Field Modification Before Installation.				
300	HI-VOLTAGE CONNECTOR LUG	(3) 02XB05002901	(3) ->	(3) ->	
301	HI-VOLTAGE TERMINAL FOAM PAD	X	19XR35000201	->	
302	HI-VOLTAGE TERMINAL FOAM PAD	19XR75001401	->	->	
303	HI-VOLTAGE TERMINAL,FRAME ASY.	X	19XR34000201	->	
304	"0" RING (TERMINAL PLATE)	(2) KK71EW128	(2) ->	->	
LUBRICATION PACKAGE					
305 A	OIL PUMP ASY (200/240-60)W/OIL FILTE	02XB34008901	->	X	
305 B	OIL PUMP ASY (380/480-60)W/OIL FILTE	02XB34008902	->	X	
305 C	OIL PUMP ASY (507/619-60)W/OIL FILTE	02XB34008905	->	X	
305 D	OIL PUMP ASY (220/240-50)W/OIL FILTE	02XB34008903	->	X	



CENTRIFUGAL CHILLER
(INCLUDES 19XR & 19XRV
INFORMATION)

19XR

SIZE: 002 005
SERIES: 1

ITM	PART DESCRIPTION	19XR FR#2	19XR FR#3	19XR FR#3 (REB)	
		COMPR. SIZE	COMPR. SIZE	COMPR. SIZE	
LUBRICATION PACKAGE					
305 E	OIL PUMP ASY (346/440-50)W/OIL FILTE	02XB34008904	->	X	
Note: Oil Pump Assembly Item 305 Includes Internal Oil Filter.					
Oil Pump Assemblies Include Items That Make Up Service Packages.					
306 A	OIL PUMP ASY (200/240-60)W/O OIL FIL	02XR04002101	->	->	
306 B	OIL PUMP ASY (380/480-60)W/O OIL FIL	02XR04002102	->	->	
306 C	OIL PUMP ASY (507/619-60)W/O OIL FIL	02XR04002105	->	->	
306 D	OIL PUMP ASY (220/240-50)W/O OIL FIL	02XR04002103	->	->	
306 E	OIL PUMP ASY (346/440-50)W/O OIL FIL	02XR04002104	->	->	
Note: Oil Pump Asy Item 306 Are Used With External Inline Oil Filter.					
Oil Pump Assemblies Include Items That Make Up Service Packages.					
307 A	N SERVICE PKG,STATOR (FOR IT#305 ONLY)	02XB34013801	->	->	
Note: Stator Good For A Minimum Of 346V To Maximum Of 619V, All Hertz.					
307 B	N SERVICE PKG,STATOR (FOR IT#305 ONLY)	02XB34013802	->	->	
Note: Stator Good For A Minimum Of 200V To Maximum Of 240V, All Hertz.					
307 C	N SERVICE PKG,STATOR (FOR IT#306 ONLY)	02XR04003501	->	->	
Note: Stator Good For A Minimum Of 346V To Maximum Of 619V, All Hertz.					
307 D	N SERVICE PKG,STATOR (FOR IT#306 ONLY)	02XR04003502	->	->	
Note: Stator Good For A Minimum Of 200V To Maximum Of 240V, All Hertz.					
307 E	N SERVICE PKG,ROTOR (COPELAND) (60HZ)	02XB34011401	->	->	
Can be used with items #305 or #306 Includes: Items #308 - 332.					
307 F	N SERVICE PKG,ROTOR (COPELAND) (50HZ)	02XB34011402	->	->	
Can be used with items #305 or #306 Includes: Items #308 - 332.					
308	MACHINE COVER	02XB35025501	->	->	
309	COVER,MOTOR END	X	X	02XR05008901	
310	COVER,PUMP END	17CA611492	->	->	
311	PUMP SHAFT	02XB35025401	->	->	
312	ROTOR (COPELAND)	02XB05002401	->	->	
313	SLEEVE (LONG)	02XB35024601	->	->	
314	SLEEVE (SHORT)	02XB35024701	->	->	
315	PUMP VANE	(4) 02XB35025301	(4) ->	(4) ->	
316	CLAMPING RING	19D211011	->	->	
317	DOWEL PIN (3/4" LONG)	(2) AX11AR168	(2) ->	(2) ->	
318	DOWEL PIN (1-1/4" LONG)	(2) AX11AR132	(2) ->	(2) ->	
319	HEX HD CAP SCREW (1/2-13 X 4")	NOT SOLD SEPARATELY	->	->	
320	SOCK.HD SCREW (5/16-18 X 3/4")	NOT SOLD SEPARATELY	->	->	
321	PIPE PLUG (1/8")	CA63AA001	->	->	
322	PLUG (W/"O" RING)	(2) CA63AM200	(2) ->	(2) ->	
323	"O" RING	KK71EW905	->	->	
324 A	SET SCREW (1/4-20 X 7/16")	(2) AE64FR166	(2) ->	(2) ->	
324 B	SET SCREW (1/4-20 X 1/2")	X	X	X	
326	"O" RING (HERM TERM) (2 1/16"OD)	KK71EW134	->	->	
327	HERMETIC TERMINAL (5 PIN)	HY85FP032	->	->	
328	"O" RING	KK71EW257	->	KK71EW263	
329	"O" RING	KK71EW165	->	->	
330	RELIEF VALVE ASY (REGULATOR)	02XB34012201	->	X	



**CENTRIFUGAL CHILLER
(INCLUDES 19XR & 19XR
INFORMATION)**

19XR

SIZE: 002 005
SERIES: 1

ITM	PART DESCRIPTION	19XR FR#2	19XR FR#3	19XR FR#3 (REB)	
		COMPR. SIZE	COMPR. SIZE	COMPR. SIZE	
LUBRICATION PACKAGE					
331	"O" RING (1 3/16"OD)	KK71EW023	->	X	
332	VALVE (3/8")	EP23LA155	->	X	
333	OIL COOLER	02XR05001701	02XB35031301	02XR05005401	
333 A	OIL COOLER (SSN 1504Q)	02XR05005401	X	X	
333 B	OIL COOLER (SSN 2704Q)	X	X	X	
334	BRACKET,OIL COOLER	(2) 02XB35031601	X	(2) 02XB35031601	
335	"O" RING (1 7/8"OD)	KK71EW223	->	X	
336	N FILTER KIT	02XB660004	->	X	
	Includes: Items #337 - 338.				
337	FILTER CORE	KH09AZ003	->	X	
338	"O" RING (4 5/8"OD)	KK71EW245	->	X	
339	ROD (FILTER SUPPORT)	02XB35015201	->	X	
340	HEX LOCK NUT (5/16-18)	AT55BA201	->	X	
341	FILTER RETAINER	02XB35014901	->	X	
342	FITTING,FEMALE ROTALOCK	02XR05005101	X	02XR05008701	
343	FITTING,MALE ROTALOCK	02XR05005201	X	02XR05005201	
343 A	SEAL,TEFLON	X	X	02XR05009101	
345	BRACKET,OIL FILTER	02XR05009601	X	02XR04001402	
346	OIL FILTER,INLINE (INCLUDES IT#351)	02XR05006201	SEE 19XR FR#3 (REB)	02XR05009501	
347	VALVE,SHUTOFF	(2) 02XR04003001	X	(2) 02XR05005001	
347 A	VALVE,SHUTOFF	X	X	X	
349	REDUCER,PRESSURE	HK05YZ007	X	HK05YZ007	
350	COUPLING,MALE FLARE TO ODS FEMALE	DE08DA142	X	DE08DA301	
351	"O" RING,INLINE OIL FILTER	24592	X	X	
PIC CONTROLS					
400	PIC I CONTROL USED UNTIL WK#28 1998	PIC I CONTROLS	->	->	
	Note: See Service Bulletin C9831 For More Details.				
400 A	POWER PANEL ASY,BASIC (PIC I)	19XR04000105	19XR04000101	X	
400 B	POWER PANEL ASY,OPTIONS (PIC I)	19XR04000106	19XR04000102	X	
400 C	POWER PANEL ASY,BASIC (FR#7,8 PIC I)	X	X	X	
400 D	POWER PANEL ASY,OPTIONS (FR#7 PIC I)	X	X	X	
	Includes: Items #401 - 414.				
401	TRANSFORMER (21V) (T1)	HT01BD113	->	X	
402	TRANSFORMER (24V) (T2) & (T3)	HT01AW235	->	X	
403	TRANSFORMER ASY (OPTIONS)(T4)	HT01BD113	->	X	
	Includes: Items #404 - 406.				
404	N TRANSFORMER (21V)	HT01BD113	->	X	
405	N PLUG	HY06MP081	->	X	
406	N PIN	(3) HY57MP019	(3) ->	X	
407	CONTACTOR(3 POLE)(OIL PUMP/HEATER)	(2) HN53CC024	(2) ->	X	
407 A	AUXILIARY CONTACTOR (SIDE MOUNT)	HN53AB035	->	X	
408	PRESSURE SWITCH,DIFF.	HK06UB011	->	X	
409	BARRIER	19XB05000401	->	X	
410	TERMINAL BLOCK	19XB05002301	->	X	
411	VOLTAGE SELECTOR SWITCH	HR67ZZ125	->	X	

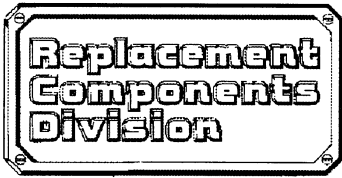


CENTRIFUGAL CHILLER
(INCLUDES 19XR & 19XRV
INFORMATION)

19XR

SIZE: 002 005
SERIES: 1

ITM	PART DESCRIPTION	19XR FR#2	19XR FR#3	19XR FR#3 (REB)	
		COMPR. SIZE	COMPR. SIZE	COMPR. SIZE	
PIC CONTROLS					
412	WIRE HARNESS (15 WIRE) 5AMP	19XB04002501	->	X	
413	GROUND LUG	HY90HR001	->	X	
414 A	COVER ASY (W/LABEL) (FR#1 - 6 ONLY)	19XR04000501	->	X	
414 B	COVER ASY (W/LABEL) (FR#7,8 ONLY)	X	X	X	
415	PIC I CONTROL USED UNTIL WK#28 1998	PIC I CONTROLS	->	->	
Note: See Service Bulletin C9831 For More Details.					
415 A	CONTROL PANEL ASY,BASIC(PIC I)	19XR04000301	->	X	
415 B	CONTROL PANEL ASY,OPTIONS(PIC I)	19XR04000302	->	X	
415 C	CONTROL PANEL ASY,BASIC(FR#7,8 PIC I)	X	X	X	
415 D	CONTROL PANEL ASY,OPTIONS(FR#7 PIC I)	X	X	X	
Includes: Items #416 - 440.					
416 A	PANEL ASY (SHT. MTL.) (FR# 1 - 6 ONL	19XR04000401	->	X	
416 B	PANEL ASY (SHT. MTL.) (FR#7,8 ONLY)	X	X	X	
Includes: Items #417 - 418.					
417	ANGLE,SUPPORT	19XB05001101	->	X	
418	HINGE	19XB05001201	->	X	
419	DOOR PANEL ASY	19EX04000501	->	X	
420	CAM LOCK (W/KEYS)	KA19NL010	->	X	
421	LID ASY (LOCAL INTERFACE DISPLAY)	CES0130036	->	X	
422	LID BATTERY (SEE SB C9623)	CEC0120803-01	->	X	
423	RELAY BOARD (6 PACK)	HK35AA003	->	X	
424	POWER SUPPLY/COMPARITOR (5V DC)	HK35AA007	->	X	
425	MODULE ASY (PSIO)	19XR04017404	->	X	
426	PSIO BATTERY (SEE SB C9623)	CEC0120803-01	->	X	
427	CONTROL BOARD (SPLIT RING DIFFUSER)	X	X	X	
428	CIRCUIT BREAKER (3.2 AMPS)	(4) HH83ZB001	(4) ->	X	
429	RUBBER BUMPER	(2) KA58MR001	(2) ->	X	
430	RESISTOR (4.3K)	X	X	X	
431 A	N WIRE HARNESS ASY (15 WIRE)	19XR04008201	->	X	
432 B	N WIRE HARNESS ASY (6 WIRE)	19XB04002401	->	X	
432 C	WIRE HARNESS ASY (5 WIRE)	X	X	X	
432 D	N WIRE ASSEMBLY (RESISTORS)	19XB04003301	->	X	
Includes Item #432e.					
432 E	N RESISTOR (10K 1/2 W)	(3) HT21AZ110	(3) ->	X	
432 F	N CABLE ASY(COMPR. SUMP OIL TEMP)	HH79N2064	->	X	
432 G	N CABLE ASY(MTR. WINDING TEMP)	19EX04001601	->	X	
432 H	N CABLE ASY(THRUST BEARING TEMP)	19EX04001602	->	X	
432 J	N CABLE ASY(COOL. LEAVING WATER TEMP)	HH79N2064	->	X	
432 K	N CABLE ASY(COOL. ENTERING WATER TEMP)	HH79N2064	->	X	
432 L	N CABLE ASY(COND. LEAVING WATER TEMP)	HH79N2064	->	X	
432 M	N CABLE ASY(COND. ENTERING WATER TEMP)	HH79N2064	->	X	
432 N	N CABLE ASY(GUIDE VANE ACUATOR)	19EX54002701	->	X	
432 P	N CABLE ASY(COMPR. DISCH. TEMP)	HH79N2064	->	X	
432 R	N CABLE ASY(COMPR. OIL PRESS.)	19XB660008	->	X	
432 S	N CABLE ASY(COND. & COOL. PRESS.)	19XB660008	->	X	



**CENTRIFUGAL CHILLER
(INCLUDES 19XR & 19XRV
INFORMATION)**

19XR

SIZE: 002 005
SERIES: 1

ITM	PART DESCRIPTION	19XR FR#2	19XR FR#3	19XR FR#3 (REB)	
		COMPR. SIZE	COMPR. SIZE	COMPR. SIZE	
PIC CONTROLS					
432 T	N CABLE ASY(STARTER COMMUNICATION)	19XB660008	->	X	
432 U	N CABLE ASY(DIFFUSER ACTUATOR)	X	X	X	
432 V	N CABLE ASY(DIFFUSER ACTUATOR)	X	X	X	
433	N CONNECTOR PLUG (4 PIN) (SIDE PSIO)	HY84EE004	->	X	
434	N CONNECTOR PLUG (3 PIN) (SIDE PSIO)	HY84EE003	->	X	
435	N CONNECTOR PLUG (18 PIN)	(3) HY84EE021	(3) ->	X	
436	N CONNECTOR PLUG (6 PIN)	HY06MP106	->	X	
437	N CONNECTOR PLUG (2 PIN)	X	X	X	
438	N CONNECTOR PLUG (3 PIN)(SRD BOARD)	X	X	X	
439	N CONNECTOR PLUG (12 PIN) (SRD BOARD)	X	X	X	
440	MODULE (INPUT)(OPTIONS PANEL ONLY)	HK50AA006	->	X	
441	TEMPERATURE SENSOR (W/BOX NOZZLE)	(4) HH79NZ059	(4) ->	X	
442	TRANSDUCER,PRESSURE(COOL/COND)(PIC 1	(2) HK05Y2007	(2) ->	X	
443	N STARTER MANAGEMENT MODULE (SHM)	CES0121319-01	->	X	
444	N TEMP SENSOR PKG (SHIPPED IN CONT BOX	(4) 32MP400333	(4) ->	X	
	Includes: Items #445 - 446.				
445	N SENSOR (20" LEAD)	HH79NZ024	->	X	
446	N MALE CONNECTOR	DC99RA015	->	X	
PIC II & PIC III CONTROLS GROUP					
447	PIC II/III CONTROLS AFTER WK#28 1998	PIC II & III CONTROL	->	->	
	Note: See Service Bulletin C9831 For More Details.				
447 A	CONTROL PANEL (PIC II)(STANDARD)(CVC	19XR04016401	->	X	
	Note: Used On Machines With A Serial Number Prior To 4101QXXXXX.				
447 B	CONTROL PANEL (PIC II)(W/DATAPORT)(C	19XR04016402	->	X	
	Note: Used On Machines With A Serial Number Prior To 4101QXXXXX.				
447 C	CONTROL PANEL (PIC II)(W/DATALINK)(C	19XR04016403	->	X	
	Note: Used On Machines With A Serial Number Prior To 4101QXXXXX.				
447 D	CONTROL PANEL (PIC II)(STANDARD)(ICV	19XR04030701	->	->	
	Note: Used On Machines With A Serial Number After 4101QXXXXX And Without a VFD Or With A Liquid Flo I VFD.				
447 E	CONTROL PANEL (PIC II)(W/DATAPORT)(I	19XR04030702	->	->	
	Note: Used On Machines With A Serial Number After 4101QXXXXX And Without A VFD Or With A Liquid Flo I VFD.				
447 F	CONTROL PANEL (PIC II)(W/DATALINK)(I	19XR04030703	->	->	
	Note: Used On Machines With A Serial Number After 4101QXXXXX And Without A VFD Or With A Liquid Flo I VFD.				
447 G	CONTROL PANEL (PIC III) (STANDARD)	19XR04030801	X	19XR04030801	
	Note: Used On Machines With A Serial Number After 4101QXXXXX And With a Liquid Flo II VFD.				
447 H	CONTROL PANEL (PIC III) (W/DATAPORT)	19XR04030802	X	19XR04030802	
	Note: Used On Machines With A Serial Number After 4101QXXXXX And With a Liquid Flo II VFD.				
447 J	CONTROL PANEL (PIC III) (W/DATALINK)	19XR04030803	X	19XR04030803	
	Note: Used On Machines With A Serial Number After 4101QXXXXX And With a Liquid Flo II VFD.				

PARTS LIST CATALOG

PARTS LIST PAGE: 016

CATALOG NO.: RCD-3519-061 REV. B
SUPERSEDES : RCD-3519-061 REV. A

NOTE: SEE "CATALOG NOTES" ON LAST PAGE FOR EXPLANATION OF SYMBOLISM.

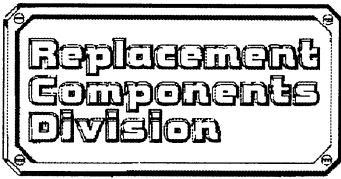


CENTRIFUGAL CHILLER
(INCLUDES 19XR & 19XRV
INFORMATION)

19XR

SIZE: 002 005
SERIES: 1

ITM	PART DESCRIPTION	19XR FR#2	19XR FR#3	19XR FR#3 (REB)
		COMPR. SIZE	COMPR. SIZE	COMPR. SIZE
PIC II & PIC III CONTROLS GROUP				
448	TERMINAL BLOCK	23XL05007901	->	->
449 A	CONTROLLER,CHILLER VISUAL (CVC)	19XR04011604	->	X
	Note: Used On Machines With A Serial Number Prior To 4101QXXXXX			
449 B	CONTROLLER,CHILLER VISUAL (ICVC)	19XR04023404	->	->
	Note: Used On PIC II Machines With a Serial Number After 4101QXXXXX			
449 C	CONTROLLER,CHILLER VISUAL (ICVC)	19XR04029401	->	->
	Note: Used On PIC III Machines .			
450	MODULE,CHILLER CONTROL (CCM)	CES0130038	->	->
451	CIRCUIT BREAKER (CB)	(2) HH83ZB001	(2) ->	(2) ->
452	RESISTOR (4.3K) (TERM. 7 TO 8)	HT21AZ111	->	->
453	RESISTOR (10K) (TERM. 11 TO 12)	HT21AZ110	->	->
454	CAM LOCK (W/KEYS)	KA19NL010	->	->
455	BUMBER,RUBBER	(2) KA58MR001	(2) ->	(2) ->
456	BOLT,SHOULDER (SPECIAL)	(2) 19XR05007401	(2) ->	(2) ->
457	COVER,PANEL	19XR05007501	->	->
458 A	MODULE,DATAPORT OPTION	CEPL130363-01	->	->
458 B	MODULE,DATALINK OPTION	CEFA121549-02	->	->
459	CONNECTOR (6 PIN) (J12)	HY06MP106	->	->
460	CONNECTOR (5 PIN) (J1 ON CVC)	HY07MP505	->	->
461	CONNECTOR (2 PIN)	HY06AM015	->	->
462	CONNECTOR (3 PIN)	HY84EE103	->	->
463	CONNECTOR (4 PIN)	HY84EE104	->	->
464	CONNECTOR (6 PIN)	HY84EE106	->	->
465	CONNECTOR (12 PIN) (MARKED 1-12)	HY84EE112	->	->
466	CONNECTOR (12 PIN) (MARKED 13-24)	HY84EE132	->	->
467	CONNECTOR (14 PIN) (MARKED 1-14)	HY84EE114	->	->
468	CONNECTOR (14 PIN) (MARKED 15-28)	HY84EE134	->	->
469	CABLE,PRESS. TRANSDUCER (3 WIRE)	19XB660008	->	->
470	CABLE,TEMPERATURE SENSOR (2 WIRE)	HH79NZ064	->	->
471	WIRE HARNESS (10 WIRE)	19XR04010701	->	->
472	BRACKET,MOUNTING (DL & DP MODULE)	19XR05013701	->	->
473	CABLE ASY (CCM TO CVC)	19XR05009701	->	->
474	CAPACITOR	X	X	19XR05016201
475	SENSOR,TEMP. (WELL INSERTION)	(3) HH79NZ031	(3) ->	(3) ->
	Note: Included With Control Panels Installed On Machines With Serial Numbers After 4101QXXXXX. For Direct Insertion Temp. Sensors See Item #491. Compr. Disch. & Sump Temp, Cooler Saturation Temp. Sensor Includes Intergral Cable.			
476	SENSOR,TEMP. (WELL INSERTION)	(4) HH79NZ032	(4) ->	(4) ->
	Note: Included With Control Panels Installed On Machines With Serial Numbers After 4101QXXXXX. For Direct Insertion Temp. Sensors See Item #491. Cooler & Condenser Entering And Leaving Temp. Sensor Includes Intergral Cable.			
477	WELL,TEMP. SENSOR (USED W/IT 475 & 4	19EF5011212	->	->
477 A	SENSOR,HUMIDITY (FLOTRONIC II VFD)	23XR04007701	->	->



CENTRIFUGAL CHILLER
(INCLUDES 19XR & 19XRV
INFORMATION)

19XR

SIZE: 002 005
SERIES: 1

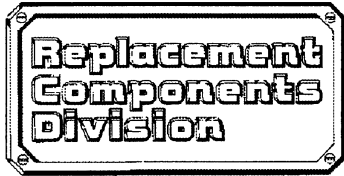
ITM	PART DESCRIPTION	19XR FR#2	19XR FR#3	19XR FR#3 (REB)
		COMPR. SIZE	COMPR. SIZE	COMPR. SIZE
PIC II & PIC III CONTROLS GROUP				
478	PIC II/III CONTROLS AFTER WK#28 1998	PIC II & III CONTROL	->	->
	Note: See Service Bulletin C9831 For More Details.			
478 A	POWER PANEL ASY (PIC II) (SEE NOTE!)	19XR04009901	->	X
	Note: (Standard) Used On Machines With A Serial Number Prior To 4101Q And Without A VFD Or With A Liquid Flo I VFD.			
478 B	POWER PANEL ASY (PIC II) (SEE NOTE!)	19XR04009901	->	->
	Note: (Standard) Used On Machines With A Serial Number After 4101Q And Without A VFD Or With A Liquid Flo I VFD.			
478 C	POWER PANEL ASY (PIC II) (SEE NOTE!)	19XR04023001	->	->
	Note:(Dataport/Link) Used On Machines With A Serial Number After 4101Q And Without A VFD Or With A Liquid Flo I VFD.			
478 D	POWER PANEL ASY (PIC II) (SSN 5101Q)	X	X	X
	Note: Standard Power Panel.			
478 E	POWER PANEL ASY (PIC II) (SSN 5101Q)	X	X	X
	Note: Dataport & Datalink Power Panel.			
478 F	POWER PANEL ASY (PIC III) (SEE NOTE!)	19XR04028701	X	19XR04028701
	Note: (Standard) Used On Machines With A Liquid Flo II VFD.			
478 G	POWER PANEL ASY (PIC III) (SEE NOTE!)	19XR04028801	X	19XR04028801
	Note: (Dataport/Link) Used On Machines With A Liquid Flo II VFD.			
479	COVER,PANEL	19XB05000301	->	->
480	BARRIER	19XB05000401	->	->
481	TRANSFORMER (T1)	HT01AW235	->	->
482	TRANSFORMER (T2)	HT01AW235	->	->
482 A	TRANSFORMER (T3)	19XR04022601	X	19XR04022601
483	TERMINAL BLOCK	19XR05013101	->	->
484	CONTACTOR (OIL HEATER)	HN53CC024	->	->
484 A	AUXILIARY CONTACTOR (SIDE MOUNT)	HN53AB035	->	->
485	CONTACTOR (OIL PUMP)	HN53HC023	->	->
486	GROUND LUG	HY90HR001	->	->
487	ACCESS PANEL,LOW VOLTAGE	X	X	19XR05008401
488	MOUNTING BRACKET,CONTROL PANEL	19XR04010001	->	->
489	MOUNTING BRACKET,POWER PANEL	X	X	X
490	TRANSDUCER,PRESSURE	(7) HK05Y2007	(7) ->	(7) ->
491	SENSOR,TEMPERATURE (DIRECT INSERTION	(5) HH79N2059	(5) ->	(5) ->
	Note: Direct Insertion Type Used On Machines With Serial Numbers Prior To 4101QXXX. For Well Insertion Type See Items 475 & 476.			
492	INTEGRATED STARTER MODULE W/SCHEMATI	19XR04012202	->	->
494 A	FUSE,ISM (USED W/19XR04002201)	ATO-1	->	->
494 B	FUSE,ISM (USED W/19XR04002202)	GDB-1A	->	->
495	CABLE ASY (VFD FLO II SOLENOID)	19XR04029501	->	->
MACHINE ARRANGEMENT & PIPING				
500	O-RING (VFD COOL.) (2-BOLT FLANGE CON	X	(2) KK71EW118	(2) ->
501	FLANGE,FLAT FACED (VFM COOLING CONN.	X	(2) DK25CA314	(2) ->
502	FLANGE,O-RING GROOVE (VFM COOLING CO	X	(2) DK24CA315	(2) ->
503 A	VALVE,EXP.(VFM STARTER)(414 AMP)	02XR05003902	->	->

PARTS LIST CATALOG

PARTS LIST PAGE: 018

CATALOG NO.: RCD-3519-061 REV. B
SUPERSEDES : RCD-3519-061 REV. A

NOTE: SEE "CATALOG NOTES" ON LAST PAGE FOR EXPLANATION OF SYMBOLISM.

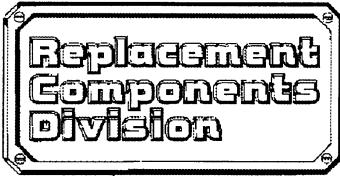


CENTRIFUGAL CHILLER
(INCLUDES 19XR & 19XRV
INFORMATION)

19XR

SIZE: 002 005
SERIES: 1

ITM	PART DESCRIPTION	19XR FR#2	19XR FR#3	19XR FR#3 (REB)
		COMPR. SIZE	COMPR. SIZE	COMPR. SIZE
MACHINE ARRANGEMENT & PIPING				
503 B	VALVE,EXP.(VFW STARTER)(500/643 AMP)	02XR05003901	->	->
503 C	VALVE,SOLENOID (LIQ FLO 2 VFD)	23XR05006601	X	23XR05006601
503 D	VALVE,BALL (5/8) (LIQ FLO 2 VFD)	EP71BA201	X	EP71BA201
504	CONNECTOR,BRAZE (THREADED CONN.)	(2) DF34CA019	(2) ->	(2) ->
505	O-RING (VFD COOL.)(THREADED CONN.)	(2) KK71EW016	(2) ->	(2) ->
506	SLEEVE,BRAZE O-RING FACE SEAL)	(2) DF02CA025	(2) ->	(2) ->
507	NUT (O-RING FACE SEAL)	(2) DF01CA007	(2) ->	(2) ->
507 A	STRAINER,REFRIGERANT (FLO II VFD)	23XR05015401	X	23XR05015401
508	GASKET,RING (3")	X	(2) CT99QX501	(2) ->
509	GASKET,RING (4")	X	X	X
510	GASKET,RING (5")	X	X	X
511	GASKET,RING (6")	(3) CT99QN701	X	X
512	GASKET,RING (8")	(2) CT99QN801	(3) ->	(3) ->
513	GASKET,RING (10")	CT99QN851	(2) ->	(2) ->
514	GASKET,RING (12")	X	CT99QN951	->
515	GASKET,RING (16")	X	X	X
516 A	VALVE,RELIEF(1/2")(COND. FR# 1 & 2)	(2) EB51CH181	(2) X	(2) X
516 B	VALVE,RELIEF(1")(COND. FR# 1 & 2)	(2) EB51FZ317	(2) X	(2) X
516 C	VALVE,RELIEF (COND. FR# 3,4,5,6,7,8)	19EB660005	->	->
517 A	VALVE,RELIEF(1/2")(COOL. FR# 1 & 2)	(2) EB51CH181	(2) X	(2) X
517 B	VALVE,RELIEF(1")(COOL. FR# 1 & 2)	(2) EB51FZ317	(2) X	(2) X
517 C	VALVE,RELIEF (COOL. FR# 3,4,5,6,7,8)	(2) EB51FZ317	(2) 19EB660005	(2) ->
518 A	VALVE,SHUTOFF(1")(FR# 3,4,5,6,7,8)	(2) EP83CC301	(2) ->	(2) ->
518 B	VALVE,SHUTOFF(1/2")(FR# 1 & 2)	EP83CC182	X	X
518 C	VALVE,SHUTOFF(1")(FR# 1 & 2)	EP83CC301	X	X
519	FILTER,REFRIGERANT (OIL RECLAIM)	KH42ME060	->	->
520	"O" RING	KK71EW223	KK71EW229	->
521	"O" RING	KK71EW223	->	X
522	VALVE,BALL (3/8")	(2) EP71BA121	(2) ->	(2) ->
523	SIGHTGLASS	AMI-1SS3	->	->
524 A	"O" RING,DRAIN (FR# 1,2,3,4 COND.)	(2) KK71EW229	->	->
524 B	"O" RING,DRAIN (FR# 5,6 COND.)	X	KK71EW243	->
524 C	"O" RING,DRAIN (FR# 7,8 COND.)	X	X	X
525	GASKET,COND. DRAIN (FR# 5,6 COND.)	X	19XR55003301	X
Note: Used Prior To s/n 0197JXXXXX....After See Item 524B.				
526 A	VALVE,BALL(1") (VESSELS FR# 1,2,3,4)	EP71CQ306	->	->
526 B	VALVE,BALL(1.5")(VESSELS FR# 5,6,7,8)	X	EP71CQ422	->
527 A	VALVE,BALL(5/8") (VESSELS FR# 1 - 6)	(2) 900205	(2) ->	(2) ->
527 B	VALVE,BALL(7/8") (VESSELS FR# 7,8)	X	X	X
528 A	DRIER,FILTER(5/8")(VESSELS FR# 1 - 6)	KH45LE120	->	->
528 B	DRIER,FILTER(7/8") (VESSELS FR# 7,8)	X	X	X
Note: This Filter Drier Is Used With Sweated Joints. For Alternative See Item 528C.				
528 C	DRIER,FILTER(7/8") (7 & 8)(SEE NOTE)	X	X	X
Note: Used With Rotoloc Fittings. For First Time Installation 2 Item				



**CENTRIFUGAL CHILLER
(INCLUDES 19XR & 19XRV
INFORMATION)**

19XR

SIZE: 002 005
SERIES: 1

ITM	PART DESCRIPTION	19XR FR#2	19XR FR#3	19XR FR#3 (REB)
		COMPR. SIZE	COMPR. SIZE	COMPR. SIZE
MACHINE ARRANGEMENT & PIPING				
528D's Must Also Be Ordered.				
528 D	ROTALOC FITTING 7/8 (SEE NOTE)	X	X	X
529 A	INDICATOR,MOISTURE(5/8")(FR# 1 - 6)	KM43BS062	->	->
529 B	INDICATOR,MOISTURE(7/8")(FR# 7,8)	X	X	X
530	CAP,SERVICE VALVE	(3) 99CC409372	(3) ->	(3) ->
531 A	VALVE,SERVICE (1/2") (LEVER TYPE)	(3) EP71CQ182	(3) ->	(3) ->
531 B	VALVE,SERVICE (1/2")	(3) EP71CZ182	(3) ->	(3) ->
532	VALVE,SCHRADER	(2) 06DA403844	(2) ->	(2) ->
533	GAUGE,PRESSURE	KM03AC256	->	->
534	ELL CONNECTOR (3/8 X 9/16-18)	02XB05000601	->	->
Includes: Item #535.				
535	"O" RING,CONNECTOR	KK71EW906	->	->
536 A	SCREEN,FLOAT VALVE(COND.FR# 1,2,3,4)	09XB04000901	->	->
536 B	SCREEN,FLOAT VALVE(COND.FR# 5 & 6)	X	09XR04005701	->
536 C	SCREEN,FLOAT VALVE(COND.FR# 7 & 8)	X	X	X
537 A	VALVE ASY,FLOAT (COND.FRAME 1 & 2)	09XR04005301	X	X
Includes: Items #538 - 539.				
537 B	VALVE ASY,FLOAT (COND.FRAME 3 & 4)	09XR04005302	->	->
Includes: Items #538 - 539.				
537 C	VALVE ASY,FLOAT (COND.FRAME 5 & 6)	X	09XR04005303	->
Includes: Items #538 - 539.				
537 D	VALVE ASY,FLOAT (COND.FRAME 7 & 8)	X	X	X
Includes: Items #538 - 539.				
538	RING,RETAINING	(3) AU45A2025	(3) ->	(3) ->
539 A	PIN,DRIVE (COND.FR 1-4)(PSN 3503Q)	09XB05004101	->	->
539 B	SHAFT,FLOAT(COND.FR 1-4)(SSN 3503Q)	09XR05013001	->	->
539 C	PIN,DRIVE (COND.FR 5&6)(PSN 3503Q)	X	09XR05001201	->
539 D	SHAFT,FLOAT(COND.FR 5&6)(SSN 3503Q)	X	09XR05013002	->
539 E	PIN,DRIVE (COND.FR 7&8)(PSN 3503Q)	X	X	X
539 F	SHAFT,FLOAT(COND.FR 7&8)(SSN 3503Q)	X	X	X
539 G	BEARING,FLOAT SHAFT (SSN 3503Q)	(2) 09XR05011301	(2) ->	(2) ->
539 H	SPACER (SSN 3503Q)	(2) 09XR05013201	(2) ->	(2) ->
539 J	SPACER (SSN 3503Q) (FR 7&8 COND. 0	X	X	X
540	WASHER,FLOAT VALVE	(3) AU04AV241	(3) ->	(3) ->
541 A	GASKET,FLOAT VALVE(COND.FR# 1,2,3,4)	09XB45001901	->	->
541 B	GASKET,FLOAT VALVE(COND.FR# 5 & 6)	X	09XR05002001	->
542	"O" RING,FLOAT VALVE(COND.FR# 7 & 8)	X	X	X
543	N STR. CONNECTOR (3/8 X 9/16-18)	X	02XB05000301	->
Includes: Item #544.				
544	N "O" RING,CONNECTOR	X	KK71EW906	->
545	ELL CONNECTOR (3/4 X 1-1/16-12)	02XB05000701	->	->
Includes: Item #546.				
546	"O" RING,CONNECTOR	KK71EW912	->	->
547	VALVE,BALL (FR# 3 & 4 VESSELS ONLY)	EP71BA573	EP71BS511	EP71BA573
Note: Machines Built Prior To July 1999 May Need Piping Modification.				



CENTRIFUGAL CHILLER
(INCLUDES 19XR & 19XRV
INFORMATION)

19XR

SIZE: 002 005
SERIES: 1

ITM	PART DESCRIPTION	19XR FR#2	19XR FR#3	19XR FR#3 (REB)
		COMPR. SIZE	COMPR. SIZE	COMPR. SIZE
MACHINE ARRANGEMENT & PIPING				
548	VALVE,BALL (FR# 1 & 2 VESSELS ONLY)	EP71BA513	X	X
549 A	VALVE,BUTTERFLY (DISCH. ISOLATION)	ER39MZ813	ER39MZ831	X
	Note: Used On Machines Built Prior To Week 40,2000.			
549 B	VALVE,BUTTERFLY (DISCH. ISOLATION)	19XR05016404	19XR05016405	->
	Note: Used On Machines Built After Week 40,2000. (No Gaskets Required)			
550 A	VALVE,BUTTERFLY (COOLER ISOLATION)	X	ER38MZ601	X
	Note: Used On Machines Built Prior To Week 40,2000.			
550 B	VALVE,BUTTERFLY (COOLER ISOLATION)	X	19XR05016401	->
	Note: Used On Machines Built After Week 40,2000. (No Gaskets Required)			
550 C	O-RING KIT (3") (FOR 19XR05016401)	X	540003008	->
550 D	O-RING KIT (4") (FOR 19XR05016402)	X	X	X
550 E	O-RING KIT (5") (FOR 19XR05016403)	X	X	X
551 A	VALVE,BUTTERFLY (COOL. ISOL.) (FR#7)	X	X	X
	Note: Used On Machines Built Prior To Week 40,2000.			
551 B	VALVE,BUTTERFLY (COOL. ISOL.) (FR#7)	X	X	X
	Note: Used On Machines Built After Week 40,2000. (No Gaskets Required)			
552 A	VALVE,BUTTERFLY (COOL. ISOL.) (FR#8)	X	X	X
	Note: Used On Machines Built Prior To Week 40,2000.			
552 B	VALVE,BUTTERFLY (COOL. ISOL.) (FR#8)	X	X	X
	Note: Used On Machines Built After Week 40,2000. (No Gaskets Required)			
553	COOLER TUBE (SEE NOTE)	TUBE QUANTITY	->	->
	Note: To Obtain The Proper Tubes For Your Particular Machine Contact Your Carrier (RCD) Rep. You Must Provide Machine Serial No.			
553 A	COOLER TUBE QTY. (FR# 10,15)	142	X	X
553 B	COOLER TUBE QTY. (FR# 11,16)	161	X	X
553 C	COOLER TUBE QTY. (FR# 12,17)	180	X	X
553 D	COOLER TUBE QTY. (FR# 20,30,35)	200	X	X
553 E	COOLER TUBE QTY. (FR# 21,31,36)	240	X	X
553 F	COOLER TUBE QTY. (FR# 22,32,37)	282	X	X
553 G	COOLER TUBE QTY. (FR# 30,35)	X	200	->
553 H	COOLER TUBE QTY. (FR# 31,36)	X	240	->
553 I	COOLER TUBE QTY. (FR# 32,37)	X	282	->
553 J	COOLER TUBE QTY. (FR# 40,45)	X	324	->
553 K	COOLER TUBE QTY. (FR# 41,46)	X	364	->
553 L	COOLER TUBE QTY. (FR# 42,47)	X	400	->
553 M	COOLER TUBE QTY. (FR# 50,55)	X	431	->
553 N	COOLER TUBE QTY. (FR# 51,56)	X	485	->
553 O	COOLER TUBE QTY. (FR# 52,57)	X	519	->
553 P	COOLER TUBE QTY. (FR# 60,65)	X	X	X
553 Q	COOLER TUBE QTY. (FR# 61,66)	X	X	X
553 R	COOLER TUBE QTY. (FR# 62,67)	X	X	X
553 S	COOLER TUBE QTY. (FR# 70,75)	X	X	X
553 T	COOLER TUBE QTY. (FR# 71,76)	X	X	X
553 U	COOLER TUBE QTY. (FR# 72,77)	X	X	X
553 V	COOLER TUBE QTY. (FR# 80,85)	X	X	X

PARTS LIST CATALOG

PARTS LIST PAGE: 021

CATALOG NO. : RCD-3519-061 REV. B
SUPERSEDES : RCD-3519-061 REV. A

NOTE: SEE "CATALOG NOTES" ON LAST PAGE FOR EXPLANATION OF SYMBOLISM.



**CENTRIFUGAL CHILLER
(INCLUDES 19XR & 19XRV
INFORMATION)**

19XR

SIZE: 002 005
SERIES: 1

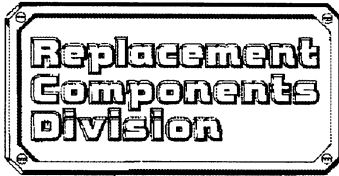
ITM	PART DESCRIPTION	19XR FR#2	19XR FR#3	19XR FR#3 (REB)
		COMPR. SIZE	COMPR. SIZE	COMPR. SIZE
MACHINE ARRANGEMENT & PIPING				
553 W	COOLER TUBE QTY. (FR# 81,86)	X	X	X
553 X	COOLER TUBE QTY. (FR# 82,87)	X	X	X
554	CONDENSER TUBE (SEE NOTE)	TUBE QUANTITY	->	->
Note: To Obtain The Proper Tubes For Your Particular Machine Contact Your Carrier (RCD) Rep. You Must Provide Machine Serial No.				
554 A	CONDENSER TUBE QTY. (FR# 10,15)	180	X	X
554 B	CONDENSER TUBE QTY. (FR# 11,16)	200	X	X
554 C	CONDENSER TUBE QTY. (FR# 12,17)	225	X	X
554 D	CONDENSER TUBE QTY. (FR# 20,30,35)	218	X	X
554 E	CONDENSER TUBE QTY. (FR# 21,31,36)	266	X	X
554 F	CONDENSER TUBE QTY. (FR# 22,32,37)	315	X	X
554 G	CONDENSER TUBE QTY. (FR# 30,35)	X	218	->
554 H	CONDENSER TUBE QTY. (FR# 31,36)	X	266	->
554 I	CONDENSER TUBE QTY. (FR# 32,37)	X	315	->
554 J	CONDENSER TUBE QTY. (FR# 40,45)	X	366	->
554 K	CONDENSER TUBE QTY. (FR# 41,46)	X	415	->
554 L	CONDENSER TUBE QTY. (FR# 42,47)	X	464	->
554 M	CONDENSER TUBE QTY. (FR# 50,55)	X	507	->
554 N	CONDENSER TUBE QTY. (FR# 51,56)	X	556	->
554 O	CONDENSER TUBE QTY. (FR# 52,57)	X	602	->
554 P	CONDENSER TUBE QTY. (FR# 60,65)	X	X	X
554 Q	CONDENSER TUBE QTY. (FR# 61,66)	X	X	X
554 R	CONDENSER TUBE QTY. (FR# 62,67)	X	X	X
554 S	CONDENSER TUBE QTY. (FR# 70,75)	X	X	X
554 T	CONDENSER TUBE QTY. (FR# 71,76)	X	X	X
554 U	CONDENSER TUBE QTY. (FR# 72,77)	X	X	X
554 V	CONDENSER TUBE QTY. (FR# 80,85)	X	X	X
554 W	CONDENSER TUBE QTY. (FR# 81,86)	X	X	X
554 X	CONDENSER TUBE QTY. (FR# 82,87)	X	X	X
555 A	COOL. W/B GSKT. NIH 150 PSI (FR#1)	(2) 10XR15000201	X	X
555 B	COOL. W/B GSKT. NIH 300 PSI (FR#1)	(2) 10XR15000201	X	X
555 C	COOL. W/B GSKT. NIH 150 PSI (FR#2)	(2) 10XR35000201	X	X
555 D	COOL. W/B GSKT. NIH 300 PSI (FR#2)	(2) 10XR35000201	X	X
555 E	COOL. W/B GSKT. NIH 150 PSI (FR#3)	(2) 10XR35000201	(2) ->	(2) ->
555 F	COOL. W/B GSKT. NIH 300 PSI (FR#3)	(2) 10XR35000201	(2) ->	(2) ->
555 G	COOL. W/B GSKT. NIH 150 PSI (FR#4)	X	(2) 09XR45000801	(2) ->
555 H	COOL. W/B GSKT. NIH 300 PSI (FR#4)	X	(2) 09XR45001001	(2) ->
555 I	COOL. W/B GSKT. NIH 150 PSI (FR#5)	X	(2) 09XR55000801	(2) ->
555 J	COOL. W/B GSKT. NIH 300 PSI (FR#5)	X	(2) 09XR55001001	(2) ->
555 K	COOL. W/B GSKT. NIH 150 PSI (FR#6)	X	X	X
555 L	COOL. W/B GSKT. NIH 300 PSI (FR#6)	X	X	X
555 M	COOL. W/B GSKT. NIH 150 PSI (FR#7)	X	X	X
555 N	COOL. W/B GSKT. NIH 300 PSI (FR#7)	X	X	X
555 O	COOL. W/B GSKT. NIH 150 PSI (FR#8)	X	X	X
555 P	COOL. W/B GSKT. NIH 300 PSI (FR#8)	X	X	X

PARTS LIST CATALOG

PARTS LIST PAGE: 022

CATALOG NO.: RCD-3519-061 REV. B
SUPERSEDES : RCD-3519-061 REV. A

NOTE: SEE "CATALOG NOTES" ON LAST PAGE FOR EXPLANATION OF SYMBOLISM.



CENTRIFUGAL CHILLER
(INCLUDES 19XR & 19XRV
INFORMATION)

19XR

SIZE: 002 005
SERIES: 1

ITM	PART DESCRIPTION	19XR FR#2	19XR FR#3	19XR FR#3 (REB)
		COMPR. SIZE	COMPR. SIZE	COMPR. SIZE
MACHINE ARRANGEMENT & PIPING				
556 A	COND. W/B GSKT. NIH 150 PSI (FR#1)	(2) 10XR15000201	X	X
556 B	COND. W/B GSKT. NIH 300 PSI (FR#1)	(2) 10XR15000201	X	X
556 C	COND. W/B GSKT. NIH 150 PSI (FR#2)	(2) 09XB45001101	X	X
556 D	COND. W/B GSKT. NIH 300 PSI (FR#2)	(2) 09XB45001101	X	X
556 E	COND. W/B GSKT. NIH 150 PSI (FR#3)	(2) 09XB45001101	(2) ->	(2) ->
556 F	COND. W/B GSKT. NIH 300 PSI (FR#3)	(2) 09XB45001101	(2) ->	(2) ->
556 G	COND. W/B GSKT. NIH 150 PSI (FR#4)	X	(2) 09XR45000801	(2) ->
556 H	COND. W/B GSKT. NIH 300 PSI (FR#4)	X	(2) 09XR45001001	(2) ->
556 I	COND. W/B GSKT. NIH 150 PSI (FR#5)	X	(2) 09XR55000801	(2) ->
556 J	COND. W/B GSKT. NIH 300 PSI (FR#5)	X	(2) 09XR55001001	(2) ->
556 K	COND. W/B GSKT. NIH 150 PSI (FR#6)	X	X	X
556 L	COND. W/B GSKT. NIH 300 PSI (FR#6)	X	X	X
556 M	COND. W/B GSKT. NIH 150 PSI (FR#7)	X	X	X
556 N	COND. W/B GSKT. NIH 300 PSI (FR#7)	X	X	X
556 O	COND. W/B GSKT. NIH 150 PSI (FR#8)	X	X	X
556 P	COND. W/B GSKT. NIH 300 PSI (FR#8)	X	X	X
557	FRAME #2 COOL. MARINE W/B GSKT. ONLY	SEE NOTES FOR USAGE	X	X
557 A	COOL. W/B GSKT. MARINE 150 PSI(FR#2)	(2) 10XR35001001	X	X
	Note: Used On 1 And 3 Pass Frame #2 Coolers, Nozzle And Blank End.			
557 B	COOL. W/B GSKT. MARINE 150 PSI(FR#2)	10XR35001001	X	X
	Note: Used On 2 Pass Frame #2 Coolers, Nozzle End Only.			
557 C	COOL. W/B GSKT. MARINE 150 PSI(FR#2)	10XR35000201	X	X
	Note: Used On 2 Pass Frame #2 Coolers, Blank End Only.			
557 D	COOL. W/B GSKT. MARINE 300 PSI(FR#2)	(2) 10XR35001101	X	X
	Note: Used On 1 And 3 Pass Frame #2 Coolers, Nozzle And Blank End.			
557 E	COOL. W/B GSKT. MARINE 300 PSI(FR#2)	10XR35001101	X	X
	Note: Used On 2 Pass Frame #2 Coolers, Nozzle End Only.			
557 F	COOL. W/B GSKT. MARINE 300 PSI(FR#2)	09XB55009101	X	X
	Note: Used On 2 Pass Frame #2 Coolers, Blank End Only.			
557 G	FRAME #3 COOL. MARINE W/B GSKT. ONLY	SEE NOTES FOR USAGE	->	->
557 H	COOL. W/B GSKT. MARINE 150 PSI(FR#3)	(2) 10XR35001001	(2) ->	(2) ->
	Note: Used On 1 And 3 Pass Frame #3 Coolers, Nozzle And Blank End.			
557 I	COOL. W/B GSKT. MARINE 150 PSI(FR#3)	10XR35001001	->	->
	Note: Used On 2 Pass Frame #3 Coolers, Nozzle End Only.			
557 J	COOL. W/B GSKT. MARINE 150 PSI(FR#3)	10XR35000201	->	->
	Note: Used On 2 Pass Frame #3 Coolers, Blank End Only.			
557 K	COOL. W/B GSKT. MARINE 300 PSI(FR#3)	(2) 10XR35001101	(2) ->	(2) ->
	Note: Used On 1 And 3 Pass Frame #3 Coolers, Nozzle And Blank End.			
557 L	COOL. W/B GSKT. MARINE 300 PSI(FR#3)	10XR35001101	->	->
	Note: Used On 2 Pass Frame #3 Coolers, Nozzle End Only.			
557 M	COOL. W/B GSKT. MARINE 300 PSI(FR#3)	09XB55009101	->	->
	Note: Used On 2 Pass Frame #3 Coolers, Blank End Only.			
557 N	COOL. W/B GSKT. MARINE 150 PSI(FR#4)	X	(2) 09XR45000801	(2) ->
557 O	COOL. W/B GSKT. MARINE 300 PSI(FR#4)	X	(2) 09XR45001001	(2) ->
557 P	COOL. W/B GSKT. MARINE 150 PSI(FR#5)	X	(2) 09XR55000801	(2) ->



**CENTRIFUGAL CHILLER
(INCLUDES 19XR & 19XR
INFORMATION)**

19XR

SIZE: 002 005
SERIES: 1

ITM	PART DESCRIPTION	19XR FR#2	19XR FR#3	19XR FR#3 (REB)	
		COMPR. SIZE	COMPR. SIZE	COMPR. SIZE	
MACHINE ARRANGEMENT & PIPING					
557 Q	COOL. W/B GSKT. MARINE 300 PSI(FR#5)	X	(2) 09XR55001001	(2) -->	
557 R	COOL. W/B GSKT. MARINE 150 PSI(FR#6)	X	X	X	
557 S	COOL. W/B GSKT. MARINE 300 PSI(FR#6)	X	X	X	
557 T	COOL. W/B GSKT. MARINE 150 PSI(FR#7)	X	X	X	
557 U	COOL. W/B GSKT. MARINE 300 PSI(FR#7)	X	X	X	
557 V	COOL. W/B GSKT. MARINE 150 PSI(FR#8)	X	X	X	
557 W	COOL. W/B GSKT. MARINE 300 PSI(FR#8)	X	X	X	
558	FRAME #2 COND. MARINE W/B GSKT. ONLY	SEE NOTES FOR USAGE	X	X	
558 A	COND. W/B GSKT. MARINE 150 PSI(FR#2)	09XR35001001	X	X	
	Note: Used On 2 Pass Frame #2 Condensers, Nozzle End Only.				
558 B	COND. W/B GSKT. MARINE 150 PSI(FR#2)	09XB45001101	X	X	
	Note: Used On 2 Pass Frame #2 Condensers, Blank End Only.				
558 C	COND. W/B GSKT. MARINE 300 PSI(FR#2)	09XB45002401	X	X	
	Note: Used On 2 Pass Frame #2 Condensers, Nozzle End Only.				
558 D	COND. W/B GSKT. MARINE 300 PSI(FR#2)	09XB45002801	X	X	
	Note: Used On 2 Pass Frame #2 Condensers, Blank End Only.				
558 E	FRAME #3 COND. MARINE W/B GSKT. ONLY	SEE NOTES FOR USAGE	-->	-->	
558 F	COND. W/B GSKT. MARINE 150 PSI(FR#3)	09XR35001001	-->	-->	
	Note: Used On 2 Pass Frame #3 Condensers, Nozzle End Only.				
558 G	COND. W/B GSKT. MARINE 150 PSI(FR#3)	09XB45001101	-->	-->	
	Note: Used On 2 Pass Frame #3 Condensers, Blank End Only.				
558 H	COND. W/B GSKT. MARINE 300 PSI(FR#3)	09XB45002401	-->	-->	
	Note: Used On 2 Pass Frame #3 Condensers, Nozzle End Only.				
558 I	COND. W/B GSKT. MARINE 300 PSI(FR#3)	09XB45002801	-->	-->	
	Note: Used On 2 Pass Frame #3 Condensers, Blank End Only.				
558 J	COND. W/B GSKT. MARINE 150 PSI(FR#4)	X	(2) 09XR45000801	(2) -->	
558 K	COND. W/B GSKT. MARINE 300 PSI(FR#4)	X	(2) 09XR45001001	(2) -->	
558 L	COND. W/B GSKT. MARINE 150 PSI(FR#5)	X	(2) 09XR55000801	(2) -->	
558 M	COND. W/B GSKT. MARINE 300 PSI(FR#5)	X	(2) 09XR55001001	(2) -->	
558 N	COND. W/B GSKT. MARINE 150 PSI(FR#6)	X	X	X	
558 O	COND. W/B GSKT. MARINE 300 PSI(FR#6)	X	X	X	
558 P	COND. W/B GSKT. MARINE 150 PSI(FR#7)	X	X	X	
558 Q	COND. W/B GSKT. MARINE 300 PSI(FR#7)	X	X	X	
558 R	COND. W/B GSKT. MARINE 150 PSI(FR#8)	X	X	X	
558 S	COND. W/B GSKT. MARINE 300 PSI(FR#8)	X	X	X	
559	GASKET, DIVISION PLATE (25' ROLL)	19XB680001	-->	-->	
560	FRAME #4 COOL. MARINE W/B & DISHED H	X	SEE NOTES FOR USAGE	-->	
560 A	COOL. HEAD GSKT. MARINE W/B END (FR#	X	09XR45000801	-->	
	Note: Used On Frame #4 Coolers, Marine W/B End Only.				
560 B	COOL. HEAD GSKT. DISHED HEAD END (FR	X	09XR05007001	-->	
	Note: Used On Frame #4 Coolers, Dished Head End Only.				
561	FRAME #4 COOL. DISHED HEADS BOTH END	X	SEE NOTES FOR USAGE	-->	
561 A	COOL. HEAD GSKT. DISHED HEAD ENDS (F	X	(2) 09XR05007001	(2) -->	
	Note: Used On Frame #4 Coolers, Both Dished Head Ends.				
562	FRAME #5 COOL. MARINE W/B & DISHED H	X	SEE NOTES FOR USAGE	-->	

PARTS LIST CATALOG

PARTS LIST PAGE: 024

CATALOG NO.: RCD-3519-061 REV. B
SUPERSEDES : RCD-3519-061 REV. A

NOTE: SEE "CATALOG NOTES" ON LAST PAGE FOR EXPLANATION OF SYMBOLISM.



CENTRIFUGAL CHILLER
(INCLUDES 19XR & 19XRV
INFORMATION)

19XR

SIZE: 002 005
SERIES: 1

ITM	PART DESCRIPTION	19XR FR#2	19XR FR#3	19XR FR#3 (REB)	
		COMPR. SIZE	COMPR. SIZE	COMPR. SIZE	
MACHINE ARRANGEMENT & PIPING					
562 A	COOL. HEAD GSKT. MARINE W/B END (FR#	X	09XR55000801	->	
	Note: Used On Frame #5 Coolers, Marine W/B End Only.				
562 B	COOL. HEAD GSKT. DISHED HEAD END (FR	X	09XR05007002	->	
	Note: Used On Frame #5 Coolers, Dished Head End Only.				
563	FRAME #5 COOL. DISHED HEADS BOTH END	X	SEE NOTES FOR USAGE	->	
563 A	COOL. HEAD GSKT. DISHED HEAD ENDS (F	X	(2) 09XR05007002	(2) ->	
	Note: Used On Frame #5 Coolers, Both Dished Head Ends.				
564	FRAME #6 COOL. MARINE W/B & DISHED H	X	X	X	
564 A	COOL. HEAD GSKT. MARINE W/B END (FR#	X	X	X	
	Note: Used On Frame #6 Coolers, Marine W/B End Only.				
564 B	COOL. HEAD GSKT. DISHED HEAD END (FR	X	X	X	
	Note: Used On Frame #6 Coolers, Dished Head End Only.				
565	FRAME #6 COOL. DISHED HEADS BOTH END	X	X	X	
565 A	COOL. HEAD GSKT. DISHED HEAD ENDS (F	X	X	X	
	Note: Used On Frame #6 Coolers, Both Dished Head Ends.				
566	FRAME #7 COOL. MARINE W/B & DISHED H	X	X	X	
566 A	COOL. HEAD GSKT. MARINE W/B END (FR#	X	X	X	
	Note: Used On Frame #7 Coolers, Marine W/B End Only.				
566 B	COOL. HEAD GSKT. DISHED HEAD END (FR	X	X	X	
	Note: Used On Frame #7 Coolers, Dished Head End Only.				
567	FRAME #7 COOL. DISHED HEADS BOTH END	X	X	X	
567 A	COOL. HEAD GSKT. DISHED HEAD ENDS (F	X	X	X	
	Note: Used On Frame #7 Coolers, Both Dished Head Ends.				
568	FRAME #8 COOL. MARINE W/B & DISHED H	X	X	X	
568 A	COOL. HEAD GSKT. MARINE W/B END (FR#	X	X	X	
	Note: Used On Frame #8 Coolers, Marine W/B End Only.				
568 B	COOL. HEAD GSKT. DISHED HEAD END (FR	X	X	X	
	Note: Used On Frame #8 Coolers, Dished Head End Only.				
569	FRAME #8 COOL. DISHED HEADS BOTH END	X	X	X	
569 A	COOL. HEAD GSKT. DISHED HEAD ENDS (F	X	X	X	
	Note: Used On Frame #8 Coolers, Both Dished Head Ends.				
570	FRAME #4 COND. MARINE W/TI TUBE SHT	X	SEE NOTES FOR USAGE	->	
570 A	COND. HEAD GSKT. MARINE END (FR#4)	X	09XR45000801	->	
	Note: Used On Frame #4 Condensers, Marine W/B Head Only.				
570 B	COND. HEAD GSKT. MARINE END (FR#4)	X	09XR45001601	->	
	Note: Used On Frame #4 Condensers, Marine W/B To Mach. Connection Only.				
570 C	COND. HEAD GSKT. DISHED END (FR#4)	X	09XR05007001	->	
	Note: Used On Frame #4 Condensers, Dished Head End Only.				
571	FRAME #4 COND. MARINE W/B	X	SEE NOTES FOR USAGE	->	
571 A	COND. HEAD GSKT. MARINE W/B END (FR#	X	09XR45000801	->	
	Note: Used On Frame #4 Condensers, Marine W/B End Only.				
571 B	COND. HEAD GSKT. DISHED HEAD END (FR	X	09XR05007001	->	
	Note: Used On Frame #4 Condensers, Dished Head End Only.				
572	FRAME #4 COND. DISHED HEADS	X	SEE NOTES FOR USAGE	->	
572 A	COND. HEAD GSKT. DISHED HEADS (FR#4)	X	(2) 09XR05007001	(2) ->	



CENTRIFUGAL CHILLER
(INCLUDES 19XR & 19XRV
INFORMATION)

19XR

SIZE: 002 005
SERIES: 1

ITM	PART DESCRIPTION	19XR FR#2	19XR FR#3	19XR FR#3 (REB)
		COMPR. SIZE	COMPR. SIZE	COMPR. SIZE
MACHINE ARRANGEMENT & PIPING				
Note: Used On Frame #4 Condensers, Both Dished Head Ends.				
573	FRAME #5 COND. MARINE W/TI TUBE SHT	X	SEE NOTES FOR USAGE	->
573 A	COND. HEAD GSKT. MARINE END (FR#5)	X	09XR55000801	->
Note: Used On Frame #5 Condensers, Marine W/B Head Only.				
573 B	COND. HEAD GSKT. MARINE END (FR#5)	X	09XR55001601	->
Note: Used On Frame #5 Condensers, Marine W/B To Mach. Connection Only.				
573 C	COND. HEAD GSKT. DISHED END (FR#5)	X	09XR05007002	->
Note: Used On Frame #5 Condensers, Dished Head End Only.				
574	FRAME #5 COND. MARINE W/B	X	SEE NOTES FOR USAGE	->
574 A	COND. HEAD GSKT. MARINE W/B END (FR#	X	09XR55000801	->
Note: Used On Frame #5 Condensers, Marine W/B End Only.				
574 B	COND. HEAD GSKT. DISHED HEAD END (FR	X	09XR05007002	->
Note: Used On Frame #5 Condensers, Dished Head End Only.				
575	FRAME #5 COND. DISHED HEADS	X	SEE NOTES FOR USAGE	->
575 A	COND. HEAD GSKT. DISHED HEADS (FR#5)	X	(2) 09XR05007002	(2) ->
Note: Used On Frame #5 Condensers, Both Dished Head Ends.				
576	FRAME #6 COND. MARINE W/TI TUBE SHT	X	X	X
576 A	COND. HEAD GSKT. MARINE END (FR#6)	X	X	X
Note: Used On Frame #6 Condensers, Marine W/B Head Only.				
576 B	COND. HEAD GSKT. MARINE END (FR#6)	X	X	X
Note: Used On Frame #6 Condensers, Marine W/B To Mach. Connection Only.				
576 C	COND. HEAD GSKT. DISHED END (FR#6)	X	X	X
Note: Used On Frame #6 Condensers, Dished Head End Only.				
577	FRAME #6 COND. MARINE W/B	X	X	X
577 A	COND. HEAD GSKT. MARINE W/B END (FR#	X	X	X
Note: Used On Frame #6 Condensers, Marine W/B End Only.				
577 B	COND. HEAD GSKT. DISHED HEAD END (FR	X	X	X
Note: Used On Frame #6 Condensers, Dished Head End Only.				
578	FRAME #6 COND. DISHED HEADS	X	X	X
578 A	COND. HEAD GSKT. DISHED HEADS (FR#6)	X	X	X
Note: Used On Frame #6 Condensers, Both Dished Head Ends.				
579	FRAME #7 COND. MARINE W/TI TUBE SHT	X	X	X
579 A	COND. HEAD GSKT. MARINE END (FR#7)	X	X	X
Note: Used On Frame #7 Condensers, Marine W/B Head Only.				
579 B	COND. HEAD GSKT. MARINE END (FR#7)	X	X	X
Note: Used On Frame #7 Condensers, Marine W/B To Mach. Connection Only.				
579 C	COND. HEAD GSKT. DISHED END (FR#7)	X	X	X
Note: Used On Frame #7 Condensers, Dished Head End Only.				
580	FRAME #7 COND. MARINE W/B	X	X	X
580 A	COND. HEAD GSKT. MARINE W/B END (FR#	X	X	X
Note: Used On Frame #7 Condensers, Marine W/B End Only.				
580 B	COND. HEAD GSKT. DISHED HEAD END (FR	X	X	X
Note: Used On Frame #7 Condensers, Dished Head End Only.				
581	FRAME #7 COND. DISHED HEADS	X	X	X
581 A	COND. HEAD GSKT. DISHED HEADS (FR#7)	X	X	X



CENTRIFUGAL CHILLER
(INCLUDES 19XR & 19XR
INFORMATION)

19XR

SIZE: 002 005
SERIES: 1

ITM	PART DESCRIPTION	19XR FR#2	19XR FR#3	19XR FR#3 (REB)
		COMPR. SIZE	COMPR. SIZE	COMPR. SIZE
MACHINE ARRANGEMENT & PIPING				
	Note: Used On Frame #7 Condensers, Marine W/B End Only.			
582	FRAME #8 COND. MARINE W/TI TUBE SHT	X	X	X
582 A	COND. HEAD GSKT. MARINE END (FR#8)	X	X	X
	Note: Used On Frame #8 Condensers, Marine W/B Head Only.			
582 B	COND. HEAD GSKT. MARINE END (FR#8)	X	X	X
	Note: Used On Frame #8 Condensers, Marine W/B To Mach. Connection Only.			
582 C	COND. HEAD GSKT. DISHED END (FR#8)	X	X	X
	Note: Used On Frame #8 Condensers, Dished Head End Only.			
583	FRAME #8 COND. MARINE W/B	X	X	X
583 A	COND. HEAD GSKT. MARINE W/B END (FR#	X	X	X
	Note: Used On Frame #8 Condensers, Marine W/B End Only.			
583 B	COND. HEAD GSKT. DISHED HEAD END (FR	X	X	X
	Note: Used On Frame #8 Condensers, Dished Head End Only.			
584	FRAME #8 COND. DISHED HEADS	X	X	X
584 A	COND. HEAD GSKT. DISHED HEADS (FR#8)	X	X	X
	Note: Used On Frame #8 Condensers, Both Dished Head Ends.			
585	FRAME #4 COND. W/BOLTED ON HEADS	X	SEE NOTES FOR USAGE	->
585 A	COND. W/B GSKT. W/BOLTED HEADS (FR#4	X	09XR45000801	->
	Note: Used On Frame #4 Condensers, Marine W/B Cover Only.			
585 B	COND. W/B GSKT. W/BOLTED HEADS (FR#4	X	(3) 09XR45001601	(3) ->
	Note: Used On Frame #4 Condensers, Marine W/B To Machine Connection, Blank End To Machine Connection And Blank End Cover.			
586	FRAME #5 COND. W/BOLTED ON HEADS	X	SEE NOTES FOR USAGE	->
586 A	COND. W/B GSKT. W/BOLTED HEADS (FR#5	X	09XR55000801	->
	Note: Used On Frame #5 Condensers, Marine W/B Cover Only.			
586 B	COND. W/B GSKT. W/BOLTED HEADS (FR#5	X	(3) 09XR55001601	(3) ->
	Note: Used On Frame #5 Condensers, Marine W/B To Machine Connection, Blank End To Machine Connection And Blank End Cover.			
587	FRAME #6 COND. W/BOLTED ON HEADS	X	X	X
587 A	COND. W/B GSKT. W/BOLTED HEADS (FR#6	X	X	X
	Note: Used On Frame #6 Condensers, Marine W/B Cover Only.			
587 B	COND. W/B GSKT. W/BOLTED HEADS (FR#6	X	X	X
	Note: Used On Frame #6 Condensers, Marine W/B To Machine Connection, Blank End To Machine Connection And Blank End Cover.			
HOT GAS BYPASS				
588	VALVE, SOLENOID (FR# 1,2,3,4,5,6 COND	EF28BS451	->	->
589	REBUILD KIT, SOLENOID VALVE ITEM# 588	KS-E42	->	->
590	VALVE, SOLENOID (FR#7,8 COND. ONLY)	X	X	X
591 A	PILOT RELAY (FR# 1,2,3,4,5,6, COND.)	HM61KK224	->	->
591 B	PILOT RELAY (FR# 7,8 COND. ONLY)	X	X	X
592	VALVE, BALL (1-5/8")	EP71BA451	->	EP71BA471
592 A	O-RING (HGBP LINE)	X	X	KK71EN229



CENTRIFUGAL CHILLER
(INCLUDES 19XR & 19XRV
INFORMATION)

19XR

SIZE: 002 005
SERIES: 1

ITM	PART DESCRIPTION	19XR FR#2	19XR FR#3	19XR FR#3 (REB)
		COMPR. SIZE	COMPR. SIZE	COMPR. SIZE
PUMPDOWN ASSEMBLY				
640 A	PUMPDOWN ASSEMBLY (208-3-60)	19EA411113	->	->
640 B	PUMPDOWN ASSEMBLY (230-3-60)	19EA421113	->	->
640 C	PUMPDOWN ASSEMBLY (400/460-3-50/60)	19EA431113	->	->
640 D	PUMPDOWN ASSEMBLY (575-3-60)	19EA461113	->	->
641 A	COMPRESSOR ASY (208/230-3-60)	06DM8086GC3250	->	->
641 B	COMPRESSOR ASY (400/460-3-50/60)	06DM8086GC3650	->	->
641 C	COMPRESSOR ASY (575-3-60)	06DM8086GC3150	->	->
642	N GASKET SET	6D43172	->	->
643	N VALVE PLATE PACKAGE (1-13/16" BORE Includes: Items #644 - 650.	NO LONGER AVAILABLE	->	->
644	N VALVE PLATE ASY	NO LONGER AVAILABLE	->	->
645	N DISCHARGE VALVE	(2) 6D751062	(2) ->	(2) ->
646	N DISCHARGE VALVE STOP	(2) 6D751072	(2) ->	(2) ->
647	N SUCTION VALVE SPRING	(2) 6D401021	(2) ->	(2) ->
648	N SUCTION VALVE	(2) 6D451072	(2) ->	(2) ->
649	N GASKET,VALVE PLATE	6D401073	->	->
650	N GASKET,CYLINDER HEAD	05GA502213	->	->
651	VALVE PLATE PACKAGE (2" BORE) Includes: Items 652 - 660.	06DA660120	->	->
652	VALVE PLATE ASY.	06DA404674	->	->
653	GASKET,VALVE PLATE	05DA500153	->	->
654	GASKET,CYLINDER HEAD (PLAIN)	05GA502213	->	->
655	GASKET,CYLINDER HEAD (S.C.O.U.)	05GA502223	->	->
656	SUCTION VALVE	(2) 06DA502903	(2) ->	(2) ->
657	SPRING,SUCTION VALVE POSITIONING	(2) 6D401021	(2) ->	(2) ->
658	GASKET,CYLINDER HEAD (CENTER BAN	05GA502173	->	->
659	GASKET,VALVE PLATE (LESS I PORT)	06DA502923	->	->
660	DOWEL PIN	7J16032	->	->
661	N PISTON & PIN PACKAGE	(2) 6D68962	(2) ->	(2) ->
662	N ECCENTRIC STRAP	(2) 5D401372	(2) ->	(2) ->
663	N COMPRESSION RING	(2) AU50CP355	(2) ->	(2) ->
664	N BEARING HEAD ASY	06DA660060	->	->
665	N OIL FILTER ASY	6D40103	->	->
666	SERVICE VALVE PKG. (SUCTION) Includes: Item #667.	5F20660002	->	->
667	GASKET,SUCTION VALVE	6D231421	->	->
668	SERVICE VALVE PKG. (DISCHARGE) Includes: Item #669.	06DA660060	->	->
669	GASKET,DISCHARGE VALVE	6D231421	->	->
670	CONDENSER ASY Includes: Items #671 - 672.	19EA41531	->	->
671	TRY COCK ASY	7F0132	->	->
672	VALVE,LIQUID	EP12BH211	->	->
673	COMPR.OVERLOAD(30A)(FURNAS-MAN RESET	HN68JX003	->	->
674 A	OVERLOAD HEATER (208V)	(3) HN71JC050	(3) ->	(3) ->

PARTS LIST CATALOG

PARTS LIST PAGE: 028

CATALOG NO.: RCD-3519-061 REV. B
SUPERSEDES : RCD-3519-061 REV. A

NOTE: SEE "CATALOG NOTES" ON LAST PAGE FOR EXPLANATION OF SYMBOLISM.



CENTRIFUGAL CHILLER
(INCLUDES 19XR & 19XRV
INFORMATION)

19XR

SIZE: 002 005
SERIES: 1

ITM	PART DESCRIPTION	19XR FR#2		19XR FR#3		19XR FR#3 (REB)	
		COMPR. SIZE		COMPR. SIZE		COMPR. SIZE	
PUMPDOWN ASSEMBLY							
674 B	OVERLOAD HEATER (230V)	(3)	HN71JC049	(3)	->	(3)	->
674 C	OVERLOAD HEATER (460V)	(3)	HN71JC036	(3)	->	(3)	->
674 D	OVERLOAD HEATER (575V)	(3)	HN71JC031	(3)	->	(3)	->
675	CONTROL BOX COVER		07DA500002		->		->
676	CONTROL BOX ASSEMBLY		19EA41588		->		->
	Includes: Items #677 - 683.						
677	TERMINAL BLOCK		HY84EG017		->		->
678	CONTACTOR		HN53CD115		->		->
679	PRESSURE STAT		HK01UA181		->		->
680	SWITCH,TOGGLE		HR53ZA035		->		->
681	FUSE HOLDER		HKP-HH		->		->
682	FUSE (3 AMP)		AGC3		->		->
683	GROMMET		KA56XM040		->		->
684	SAFETY HEAD		EB51LR385		->		->
685	OIL SEPERATOR		KH31LZ008		->		->
686	GASKET,OIL SEPERATOR		KY31LY003LA		->		->
687	VALVE,DIAPHRAGM (1/2")	(4)	A-14841	(4)	->	(4)	->
688	VALVE,ANGLE		EP23LA211		->		->
689	GASKET,CAPSCREW (5/16")	(4)	AU51YA003	(4)	->	(4)	->
690	GASKET,FLARE (1/2")		DD24FA151		->		->
691	SPRING,COMPRESSOR MOUNTING	(4)	50K21231	(4)	->	(4)	->
692	SPRING CUP,COMPRESSOR MOUNTING	(4)	50K41221	(4)	->	(4)	->
700 A	PUMPOUT ASSEMBLY (208/230-3-50/60)		19XR04026501		->		->
700 B	PUMPOUT ASSEMBLY (460-3-60)		19XR04026502		->		->
700 C	PUMPOUT ASSEMBLY (400-3-50)		19XR04026503		->		->
701	COUPLING (1/2 MFL X 1/2 ODS)	(2)	DE08DA202	(2)	->	(2)	->
702	VALVE,DIAPHRAGM (5/8 ODS)	(4)	EP10BA211	(4)	->	(4)	->
703	NUT,FLARE (1/4)	(2)	DD02CA051	(2)	->	(2)	->
704	ADAPTOR (5/8 ODF X 3/8 INT FPT)		DE06DA204		->		->
705	VALVE,RELIEF (3/8)		EB51LZ188		->		->
706	VALVE,CHECK (5/8)		EC31EZ212		->		->
707 A	CONTROL PANEL (208/230-3-50/60)		19XR04028201		->		->
707 B	CONTROL PANEL (460-3-60)		19XR04028202		->		->
707 C	CONTROL PANEL (400-3-50)		19XR04028203		->		->
708	SWITCH,HIGH PRESSURE		19XR05029201		->		->
709	SWITCH,VACUUM		19XR05018801		->		->
710	CONTACTOR		HN53CC115		->		->
711 A	FUSE,PRIMARY (230V)(FU1 & FU2)	(2)	KLDR 1/2	(2)	->	(2)	->
711 B	FUSE,PRIMARY (460V)(FU1 & FU2)	(2)	KLDR 1/4	(2)	->	(2)	->
711 C	FUSE,PRIMARY (400V)(FU1 & FU2)	(2)	KLDR 4/10	(2)	->	(2)	->
712	FUSE (FU3)		KLDR 1/2		->		->
713	BLOCK,TERMINAL (TB)	(6)	115188.11	(6)	->	(6)	->
714 A	SWITCH,SELECTOR (ON/OFF)(SS1)		H3SS4-10B		->		->
	Note: holder item number 714b should also be ordered.						
714 B	HOLDER,SWITCH		MCBH-00		->		->

PARTS LIST CATALOG

PARTS LIST PAGE: 029

CATALOG NO.: RCD-3519-061 REV. B
SUPERSEDES : RCD-3519-061 REV. A

NOTE: SEE "CATALOG NOTES" ON LAST PAGE FOR EXPLANATION OF SYMBOLISM.



CENTRIFUGAL CHILLER
(INCLUDES 19XR & 19XR
INFORMATION)

19XR

SIZE: 002 005
SERIES: 1

ITM	PART DESCRIPTION	19XR FR#2	19XR FR#3	19XR FR#3 (REB)
		COMPR. SIZE	COMPR. SIZE	COMPR. SIZE
PUMPDOWN ASSEMBLY				
715	BLOCK, CONTACT (SS1)	(2) CBK-CB10	(2) ->	(2) ->
716	HOLDER, FUSE (FU1, FU2, FU3)	(3) 0307220 14	(3) ->	(3) ->
717 A	TRANSFORMER (230/460V)(XFMR)	1497-A-BASK-O-N	->	->
717 B	TRANSFORMER (380/400/415)(XFMR)	1497-A-M4-O-N	->	->
718	SEPARATOR, OIL	19XR05016701	->	->
719	CONDENSER	19XR05020901	->	->
720 A	COMPRESSOR (200/230V)	CS27K6E-TFS-970	->	->
720 B	COMPRESSOR (380/420/460)	CS27K6E-TFD-970	->	->
721	CRANKCASE HEATER (200/600V)	P041-4131	->	->
722	NUT, FLARE (1/2)(PUMPOUT TO CLR&COND)	(4) DD01CA201	(4) ->	(4) ->
723	COUPLING (1/2)(PUMPOUT TO CLR&COND)	(4) DD07DA201	(4) ->	(4) ->
CONTROL PANEL/ VAR. FREQ. DRIVE (VFD)				
800	VARI. FREQ. DRIVE (VFD)(LIQUID-FLO I	(LIQUID-FLO I)	->	->
	Liquid-Flo I VFD's order number on data plate start with "19XVR".			
801	RUN TEST SWITCH	111-16-73-XN	->	->
802 A	BREAKER (414 AMPS)	19XV05004901	->	->
	Liquid-Flo I VFD's with a 19XVR0414XXX code number. See data plate.			
802 B	BREAKER (500 AMPS)	19XV05004902	->	->
	Liquid-Flo I VFD's with a 19XVR0500XXX code number. See data plate.			
802 C	BREAKER (643 AMPS)	X	X	X
	Liquid-Flo I VFD's with a 19XVR0643XXX code number. See data plate.			
803 A	MODULE, DRIVE (414 AMPS)	RX-41LR4060	->	->
	Liquid-Flo I VFD's with a 19XVR0414XXX code number. See data plate.			
803 B	MODULE, DRIVE (500 AMPS)	RX-50LR4060	->	->
	Liquid-Flo I VFD's with a 19XVR0500XXX code number. See data plate.			
803 C	MODULE, DRIVE (643 AMPS)	RX-64LR4060	->	->
	Liquid-Flo I VFD's with a 19XVR0643XXX code number. See data plate.			
804	REGULATOR CARD	179116	->	->
805	REMOTE METER INTERFACE CARD	2SI3000	->	->
806 A	POWER MOD. CONTROL CARD (414 AMP	179170	->	->
806 B	POWER MOD. CONTROL CARD (500 AMP	179134	->	->
806 C	POWER MOD. CONTROL CARD (643 AMP	179067	->	->
807	BUS CONTROL CARD	179069	->	->
808	SNUBBER RESISTOR KIT	RC-SNUBBER-C	->	->
809 A	TRANSFORMER, CURRENT (414 AMPS)	(3) 19XV05005201	(3) ->	(3) ->
	Liquid-Flo I VFD's with a 19XVR0414XXX code number. See data plate.			
809 B	TRANSFORMER, CURRENT (500 AMPS)	(3) 19XV05005202	(3) ->	(3) ->
	Liquid-Flo I VFD's with a 19XVR0500XXX code number. See data plate.			
809 C	TRANSFORMER, CURRENT (643 AMPS)	(3) 19XV05005202	(3) ->	(3) ->
	Liquid-Flo I VFD's with a 19XVR0643XXX code number. See data plate.			
810	FUSE ASSEMBLY	(2) 19XV05005401	(2) ->	(2) ->
811	RELAY	(3) 19XV05005502	(3) ->	(3) ->
812	DISCONNECT SWITCH	19XV05005601	->	->
813	GUARD, FAN	19XV05002501	->	->
814	FAN	19XV05002502	->	->



CENTRIFUGAL CHILLER
(INCLUDES 19XR & 19XRV
INFORMATION)

19XR

SIZE: 002 005
SERIES: 1

ITM	PART DESCRIPTION	19XR FR#2	19XR FR#3	19XR FR#3 (REB)
		COMPR. SIZE	COMPR. SIZE	COMPR. SIZE
CONTROL PANEL/ VAR. FREQ. DRIVE (VFD)				
815 A	HANDLE,DISCONNECT (414 AMP) Liquid-Flo I VFD's with a 19XVR0414XXX code number. See data plate.	NOT REQUIRED	->	->
815 B	HANDLE,DISCONNECT (500 AMP) Liquid-Flo I VFD's with a 19XVR0500XXX code number. See data plate.	19XV04004302	->	->
815 C	HANDLE,DISCONNECT (643 AMP) Liquid-Flo I VFD's with a 19XVR0643XXX code number. See data plate.	19XV04004303	->	->
816	METER KIT Includes: Amp-meter current transformer, AC amp-meter switch, AC volt-meter, AC voltmeter 0-600v, AC amp-meter 0-800 amps.	19XV05006601	->	->
817 A	TRANSFORMER,POTENTIAL (60 HERTZ) Liquid-Flo I VFD's all 60 hertz models.	(2) 19XV05007101	(2) ->	(2) ->
817 B	TRANSFORMER,POTENTIAL (50 HERTZ) Liquid-Flo I VFD's all 50 hertz models.	(2) 19XV05007102	(2) ->	(2) ->
818	TRANSFORMER	19XV05007201	->	->
819	CIRCUIT BREAKER	19XV05007501	->	->
820	FUSE (1 AMP)	(3) ATQR-1	(3) ->	(3) ->
821	FUSE (15 AMP)	(3) 64676-75AD	(3) ->	(3) ->
822	INTEGRATED STARTER MODULE (ISH)	19XR04012202	->	->
823	O-RING	(2) KK71EW016	(2) ->	(2) ->
850	VARI. FREQ. DRIVE (VFD)(LIQ.-FLO II)	(LIQUID-FLO II)	->	->
851	VFD REFERENCE ONLY (DO NOT ORDER)	19XV04006401/6501	->	->
852 A	CONTACTOR (2AA & 2CC) Liquid-Flo II VFD's with a 19XVA2AA or 19XVA2CC code. See data plate.	(3) 320716	(3) ->	(3) ->
852 B	CONTACTOR (4CC) Liquid-Flo II VFD's with a 19XVA4CCXXX order code. See data plate.	(3) 320720	(3) ->	(3) ->
853 A	POWER MODULE (2AA) Liquid-Flo II VFD's with a 19XVA2AAXXX code. See data plate.	RX-LF200460CCR	->	->
853 B	POWER MODULE (2CC) Liquid-Flo II VFD's with a 19XVA2CCXXX order code. See data plate.	RX-LF200608CCR	->	->
853 C	POWER MODULE (4CC) Liquid-Flo II VFD's with a 19XVA4CCXXX code. See data plate.	RX-LF201215CCR	->	->
854	SWITCH (3 POSITION)	178743	->	->
855	AMPMETER	180621-Q01	->	->
856	VOLTMETER	180620-Q01	->	->
857	FAN,COOLING	(3) 69739-20R	(3) ->	(3) ->
858 A	BOARD,COMM. (GATEWAY) (2AA) Liquid-Flo II VFD's with a 19XVA2AA order code. See data plate.	180102	->	->
858 B	BOARD,COMM. (GATEWAY) (2CC) Liquid-Flo II VFD's with a 19XVA2CC order code. See data plate.	180102	->	->
858 C	BOARD,COMM. (GATEWAY) (4CC) Liquid-Flo II VFD's with a 19XVA4CC order code. See data plate.	180102	->	->
MISCELLANEOUS GROUP				
900	N PAINT (SPRAY CAN)(GRAY)	PH23GH022	->	->
901	N PAINT (GALLON CAN)(GRAY)	PH23GH022G	->	->
902	N BRUSH,TUBE CLEANING (3/4" I.D.)	GTC-211 11/16	->	->



CENTRIFUGAL CHILLER
(INCLUDES 19XR & 19XRV
INFORMATION)

19XR

SIZE: 002 005
SERIES: 1

ITM	PART DESCRIPTION	19XR FR#4	19XR FR#4 (SRD)	19XR FR#4 (2002)	19XR FR#5
		COMPR. SIZE	COMPR. SIZE	COMPR. SIZE	COMPR. SIZE
	Sales Package Notes:				
	19XR FR#2 = 19XR Machine With Frame #2 Compressor & With Frame 1,2,3 Coolers And Condensers.				
	19XR FR#3 = 19XR Machine With Frame #3 Compressor Without Roller Element Bearings & With Frame #3,4,5 Coolers & Condensers.				
	19XR FR#3 REB = 19XR Machine With Frame #3 Compressor With Roller Element Bearings & Frame #3,4,5 Coolers & Condensers.				
	19XR FR#4 = 19XR Machine With Frame #4 Compressor Without Split Ring Diffuser & With Frame #5,6,7 Coolers & Condensers, Built Prior To January 2002.				
	19XR FR#4 2002 = 19XR Machine With Frame #4 Compressor Without Split Ring Diffuser & With Frame #5,6,7 Coolers & Condensers Built After December 2001.				
	19XR FR#4 SRD = 19XR Machine With Frame #4 Compressor With Split Ring Diffuser & With Frame #5,6,7 Coolers & Condensers.				
	19XR FR#5 = 19XR Machine With Frame #5 Compressor & With Frame #7,8 Coolers & Condensers.				
COMPRESSOR GROUP					
1 A	LABYRINTH,IMPELLER W/PIN PLUG IT#2 Compressor Codes Used On: 201,221,231,241,251,261,271,281,291,202,222 232,242,252,262,272,282,292	X	X	X	X
1 B	LABYRINTH,IMPELLER W/PIN PLUG IT#2 Compressor Codes Used On: 203,223,233,243,253,263,273,283,293,204,224 234,244,254,264,274,284,294,205,225,235,245 255,265,275,285,295	X	X	X	X
1 C	LABYRINTH,IMPELLER W/PIN PLUG IT#2 Compressor Codes Used On: 206,226,236,246,256,266,276,286,296,207,227 237,247,257,267,277,287,297	X	X	X	X
1 D	LABYRINTH,IMPELLER W/PIN PLUG IT#2 Compressor Codes Used On: 208,228,238,248,258,268,278,288,298	X	X	X	X
1 E	LABYRINTH,IMPELLER W/PIN PLUG IT#2 Compressor Codes Used On: 209,229,239,249,259,269,279,289,299	X	X	X	X
1 F	LABYRINTH,IMPELLER W/PIN PLUG IT#2 Compressor Codes Used On: 321,331,341,351,361,371,381,391,301,322,322 332,342,352,362,372,382,392,302	X	X	X	X
1 G	LABYRINTH,IMPELLER W/PIN PLUG IT#2 Compressor Codes Used On: 323,333,343,353,363,373,383,324,334,344,354 364,374,384,325,335,345,355,365,375,385 Note: Outside Diameter Of This Labrinth Is 6.30". Laby's 1G And 1H Are Size Dependent, Refer To Service Bulletin C9812 For More Info.	X	X	X	X
1 H	LABYRINTH,IMPELLER W/PIN PLUG IT#2 Compressor Codes Used On: 323,333,343,353,363,373,383,393,303,324,334 344,354,364,374,384,394,304,325,335,345 355,365,375,385,395,305 Note: Outside Diameter Of This Labrinth Is 6.20". Laby's 1G And 1H Are Size Dependent, Refer To Service Bulletin C9812 For More Info.	X	X	X	X



CENTRIFUGAL CHILLER
(INCLUDES 19XR & 19XRV
INFORMATION)

19XR

SIZE: 002 005
SERIES: 1

ITM	PART DESCRIPTION	19XR FR#4	19XR FR#4 (SRD)	19XR FR#4 (2002)	19XR FR#5
		COMPR. SIZE	COMPR. SIZE	COMPR. SIZE	COMPR. SIZE
COMPRESSOR GROUP					
1 I	LABYRINTH,IMPELLER W/PIN PLUG IT#2	X	X	X	X
	Compressor Codes Used On: 326,356,346,356,366,376,386,396,306,327,337 347,357,367,377,387,397,307,328,338,348 358,368,378,388,398,308				
1 J	LABYRINTH,IMPELLER W/PIN PLUG IT#2	X	X	X	X
	Compressor Codes Used On: 329,339,349,359,369				
1 K	LABYRINTH,IMPELLER W/PIN PLUG IT#2	X	X	X	X
	Compressor Codes Used On: 379,389,399,309				
1 L	LABYRINTH,IMPELLER W/PIN PLUG IT#2	19XR660001	->	->	X
	Compressor Codes Used On: 421,431,441,451,461,471,481,422,432,442,452 462,472,482,423,433,443,453,463,473,483 4B1,4C1,4D1,4E1,4F1,4G1,4H1,4B2,4C2,4D2,4E2 4F2,4G2,4H2,4B3,4C3,4D3,4E3,4F3,4G3,4H3,4J1 4K1,4H2,4J2,4K2,4J3,4K3,4L1,4L2,4L3,4M1,4H2 4H3.				
1 M	LABYRINTH,IMPELLER W/PIN PLUG IT#2	19XR660002	->	->	X
	Compressor Codes Used On: 424,434,444,454,464,474,484,425,435,445,455 465,475,485,4B4,4C4,4D4,4E4,4F4,4G4,4H4,4B5 4C5,4D5,4E5,4F5,4G5,4H5,4J4,4K4,4J5,4K5,4L4 4L5,4M4,4M5.				
1 N	LABYRINTH,IMPELLER W/PIN PLUG IT#2	19XR660003	->	->	X
	Compressor Codes Used On: 426,436,446,456,466,476,486,4B6,4C6,4D6,4E6 4F6,4G6,4H6,4J6,4K6,4L6,4M6.				
1 R	LABYRINTH,IMPELLER W/PIN PLUG IT#2	CONTACT RCD	->	->	X
	Compressor Codes Used On: 427,437,447,457,467,477,487,428,438,448,458 468,478,488,429,439,449,459,469,479,489,4B7 4B8,4B9,4C7,4C8,4C9,4D7,4D8,4D9,4E7,4E8,4E9 4F7,4F8,4F9,4G7,4G8,4G9,4H7,4H8,4H9,4J7,4K7 4L7,4M7.				
1 S	LABYRINTH,IMPELLER (SSN 0102QXXXXX)	X	X	X	19XR660036
	Compressor Codes Used On: 521,531,541 For Machines Built Prior To s/n 0102QXXXXX See Item 2A.				
1 T	LABYRINTH,IMPELLER (SSN 0102QXXXXX)	X	X	X	19XR660037
	Compressor Codes Used On: 501,551,561,571,581,591,502,522,532,542 552,562,572,582,592,523,533,543 For Machines Built Prior To s/n 0102QXXXXX See Item 2B.				
1 U	LABYRINTH,IMPELLER (SSN 0102QXXXXX)	X	X	X	19XR660038
	Compressor Codes Used On: 503,553,563,573,583,593 For Machines Built Prior To s/n 0102QXXXXX See Item 2C.				
1 V	LABYRINTH,IMPELLER (SSN 0102QXXXXX)	X	X	X	19XR660039
	Compressor Codes Used On: 504,524,534,544,554,564,574,584,594,525,535 And 545 For Machines Built Prior To s/n 0102QXXXXX See Item 2D.				
1 W	LABYRINTH,IMPELLER (SSN 0102QXXXXX)	X	X	X	19XR660040
	Compressor Codes Used On: 505,555,565,575,585,595,506,526,536				

PARTS LIST CATALOG

PARTS LIST PAGE: 034

CATALOG NO.: RCD-3519-061 REV. B
SUPERSEDES : RCD-3519-061 REV. A

NOTE: SEE "CATALOG NOTES" ON LAST PAGE FOR EXPLANATION OF SYMBOLISM.

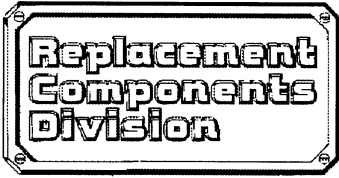


**CENTRIFUGAL CHILLER
(INCLUDES 19XR & 19XRV
INFORMATION)**

19XR

SIZE: 002 005
SERIES: 1

ITM	PART DESCRIPTION	19XR FR#4	19XR FR#4 (SRD)	19XR FR#4 (2002)	19XR FR#5
		COMPR. SIZE	COMPR. SIZE	COMPR. SIZE	COMPR. SIZE
COMPRESSOR GROUP					
		546,556,566,576,586,596,527,537,547			
		For Machines Built Prior To s/n 0102QXXXXX See Item 2E.			
1 X	LABYRINTH,IMPELLER (SSN 0102QXXXXX)	X	X	X	19XR660041
		Compressor Codes Used On: 507,557,567,577,587,597,508,528,538,548,558			
		568,578,588,598,509,529,539,549,559,569,579			
		589,599			
		For Machines Built Prior To s/n 0102QXXXXX See Item 2F.			
2	PIN PLUG (ALUM)(INCL. IN ITEM #1)	AX17VP025	->	->	X
2 A	LABYRINTH,IMPELLER (PSN 0102QXXXXX)	X	X	X	02XR54004501
		Compressor Codes Used On: 521,531,541			
		For Machines Built After s/n 0102QXXXXX See Item 1S.			
2 B	LABYRINTH,IMPELLER (PSN 0102QXXXXX)	X	X	X	02XR54004502
		Compressor Codes Used On: 501,551,561,571,581,591,502,522,532,542			
		552,562,572,582,592,523,533,543			
		For Machines Built After s/n 0102QXXXXX See Item 1T.			
2 C	LABYRINTH,IMPELLER (PSN 0102QXXXXX)	X	X	X	02XR54004503
		Compressor Codes Used On: 503,553,563,573,583,593			
		For Machines Built After s/n 0102QXXXXX See Item 1U.			
2 D	LABYRINTH,IMPELLER (PSN 0102QXXXXX)	X	X	X	02XR54004504
		Compressor Codes Used On: 504,524,534,544,554,564,574,584,594,525,535			
		And 545			
		For Machines Built After s/n 0102QXXXXX See Item 1V.			
2 E	LABYRINTH,IMPELLER (PSN 0102QXXXXX)	X	X	X	02XR54004505
		Compressor Codes Used On: 505,555,565,575,585,595,506,526,536,546,556			
		566,576,586,596,527,537,547			
		For Machines Built After s/n 0102QXXXXX See Item 1W.			
2 F	LABYRINTH,IMPELLER (PSN 0102QXXXXX)	X	X	X	02XR54004506
		Compressor Codes Used On: 507,557,567,577,587,597,508,528,538,548,558			
		568,578,588,598,509,529,539,549,559,569,579			
		589,599			
		For Machines Built After s/n 0102QXXXXX See Item 1X.			
3	SPACER,IMPELLER	02XB35006801	->	->	02XR55006601
4	KEY,IMPELLER	X	(2) 02XR45006502	(2) ->	(2) 02XR55003601
4 A	KEY,IMPELLER (SMALL DIA. SHAFT)	(2) 02XR45006501	X	X	X
		Important! For Proper Selection Refer To Chart #2 On Graphic 19061004.			
4 B	KEY,IMPELLER (LARGE DIA. SHAFT)	(2) 02XR45006502	X	X	X
		Important! For Proper Selection Refer To Chart #2 On Graphic 19061004.			
5	SHIM,IMPELLER	X	02XR35003701	->	02XR55006301
5 A	SHIM,IMPELLER (SMALL DIA. SHAFT)	02XR45006301	X	X	X
		Important! For Proper Selection Refer To Chart #2 On Graphic 19061004.			
5 B	SHIM,IMPELLER (LARGE DIA. SHAFT)	02XB35006901	X	X	X
		Important! For Proper Selection Refer To Chart #2 On Graphic 19061004.			
6	WASHER,IMPELLER	X	X	X	AU04AQ331
6 A	WASHER,IMPELLER (SMALL DIA. SHAFT)	02XB05002701	X	X	X
		Important! For Proper Selection Refer To Chart #2 On Graphic 19061004.			



**CENTRIFUGAL CHILLER
(INCLUDES 19XR & 19XR
V INFORMATION)**

19XR

SIZE: 002 005
SERIES: 1

ITM	PART DESCRIPTION	19XR FR#4	19XR FR#4 (SRD)	19XR FR#4 (2002)	19XR FR#5
		COMPR. SIZE	COMPR. SIZE	COMPR. SIZE	COMPR. SIZE
COMPRESSOR GROUP					
6 B	WASHER,IMPELLER (LARGE DIA. SHAFT)	02XB05002702	X	X	X
	Important! For Proper Selection	Refer To Chart #2 On Graphic 19061004.			
7	WASHER,HARD	(5) AU04AQ301	(2) -->	(5) AU04AV301	(5) AU04AQ391
8	WASHER,SEALING	(6) AU52NA171	(6) -->	(6) -->	(6) -->
9	"O" RING (22" DIA)	KK71EW471	-->	-->	X
	Note: "O" Ring Groove Must Be Measured To Determine Proper Size.				
10	"O" RING (24" DIA)	KK71EW473	-->	-->	X
	Note: "O" Ring Groove Must Be Measured To Determine Proper Size.				
11	"O" RING (MOTOR COVER)	X	X	X	KK71EU172
12	"O" RING (HTR HSG/TRANS)	(2) KK71EW472	(2) -->	(2) -->	(2) KK71EU172
13	"O" RING (DIFFUSER/BASE)	KK71EW471	-->	-->	KK71EU172
14	"O" RING (OUTER DIFF)	KK71EW474	KK71EW476	KK71EW474	KK71EU173
15	"O" RING (INNER DIFF)	KK71GX132	X	KK71GX132	X
16	"O" RING (SUCT HSG)	KK71EW476	KK71EW501	KK71EW476	KK71EU174
17	"O" RING (OIL PUMP)	KK71EW268	-->	-->	-->
18	"O" RING (LABY GAS)	KK71EW015	-->	-->	-->
19	"O" RING (LABY/TRANS)	KK71EW263	-->	-->	KK71EW269
20	"O" RING (OIL COOL)	(2) KK71EW223	(2) -->	(2) -->	-->
21	"O" RING (COOLING OIL LINE)	X	X	X	(2) KK71EW223
22	"O" RING (OIL HEATER)	X	X	X	X
23	NOSE PIECE	X	X	02XR45014001	02XR55009801
23 A	NOSE PIECE (SMALL DIA. SHAFT)	02XR45006401	X	X	X
	Important! For Proper Selection	Refer To Chart #2 On Graphic 19061004.			
23 B	NOSE PIECE (LARGE DIA. SHAFT)	02XR45009201	X	X	X
	Important! For Proper Selection	Refer To Chart #2 On Graphic 19061004.			
23 C	NOSE PIECE (PSN 0102QXXXXX)	X	02XR45009201	X	X
23 D	NOSE PIECE (SSN 0102QXXXXX)	X	02XR45014001	X	X
24	"O" RING (EQUAL LINE)	(2) KK71EW223	-->	-->	(2) KK71EW229
25	FLANGE (2-BOLT,0-RING KK71EW223)	DK24CA727	-->	-->	X
26	FLANGE (4-BOLT,0-RING KK71EW229)	X	02XR05005301	-->	DK16CB302
27	"O" RING (EQUAL LINE)	X	KK71EW229	-->	X
28	FLANGE (4-BOLT,0-RING KK71EW229)	X	X	X	(2) DK16CA250
29	ROLL PIN	(2) AX14CA096	(2) -->	(2) -->	(2) AX14CA168
29 A	ROLL PIN (SMALL DIA. SHAFT)	X	X	X	X
	Important! For Proper Selection	Refer To Chart #2 On Graphic 19061004.			
29 B	ROLL PIN (LARGE DIA. SHAFT)	X	X	X	X
	Important! For Proper Selection	Refer To Chart #2 On Graphic 19061004.			
30	CAP SCREW,IMPELLER	X	AA03AA268	-->	AA44AA329
30 A	CAP SCREW,IMPELLER(SMALL DIA. SHAFT)	AA44AA237	X	X	X
	Important! For Proper Selection	Refer To Chart #2 On Graphic 19061004.			
30 B	CAP SCREW,IMPELLER(LARGE DIA. SHAFT)	AA03AA268	X	X	X
	Important! For Proper Selection	Refer To Chart #2 On Graphic 19061004.			
31	VALVE,SHUT-OFF	EN07AA285	(2) 02XR05005001	(2) -->	EN07AA285
32	SEGMENT ASSEMBLY	(4) 02XR44002101	(4) 02XR44011001	(4) 02XR44002101	USE 4 ITEM #34
33 A	SEGMENT ASSEMBLY (321 - 359 COMPR.)	X	X	X	X

PARTS LIST CATALOG

PARTS LIST PAGE: 036

CATALOG NO.: RCD-3519-061 REV. B
SUPERSEDES : RCD-3519-061 REV. A

NOTE: SEE "CATALOG NOTES" ON LAST PAGE FOR EXPLANATION OF SYMBOLISM.



CENTRIFUGAL CHILLER
(INCLUDES 19XR & 19XRV
INFORMATION)

19XR

SIZE: 002 005
SERIES: 1

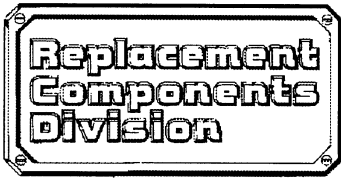
ITM	PART DESCRIPTION	19XR FR#4	19XR FR#4 (SRD)	19XR FR#4 (2002)	19XR FR#5
		COMPR. SIZE	COMPR. SIZE	COMPR. SIZE	COMPR. SIZE
COMPRESSOR GROUP					
33 B	SEGMENT ASSEMBLY (361 - 389 COMPR.)	X	X	X	X
34	SEGMENT ASSEMBLY	X	X	X	(4) 02XR54001201
35	PLUG,0-RING SEAL (SEGMENT ASY'S)	(8) CA64AM225	(8) ->	(8) ->	(8) ->
	Includes: Item #36.				
36 N	"0" RING,PLUG SEAL	KK71EW910	->	->	->
37	ELL CONNECTOR(3/4 X 3/8 FLX1 1/16-12	02XR45008101	X	X	(2) 02XR55005601
	Includes: Item #38.				
38	"0" RING,ELL CONNECTOR	KK71EW912	X	X	KK71EW912
39	COUPLING,MOTOR COOLING	X	DE08DA101	->	X
40	SIGHT GLASS	(3) KH36BS162	(3) ->	(3) ->	(3) ->
	Includes: Item #41.				
41	"0" RING,SIGHT GLASS	KK71EW920	->	->	->
42	DEMISTER ASSEMBLY	02XR44001801	02XR04001101	->	02XR34003301
	Includes: Items #43 - 54.				
42 A	DEMISTER ASSEMBLY (SSN 1504Q)	X	X	X	X
	Includes: Items #44 - 54a				
42 B	DEMISTER ASSEMBLY (SSN 2704Q)	X	X	X	02XR04001101
43	HOUSING,DEMISTER	02XR44001901	X	X	02XR34003201
44	SUPPORT,DEMISTER	X	02XR25002501	->	->
45	FILTER,DEMISTER	02XB35017601	02XR05006501	->	02XR35007301
45 A	FILTER,DEMISTER (SSN 1504Q)	X	X	X	X
45 B	FILTER,DEMISTER (SSN 2704Q)	X	X	X	02XR05006501
46	SUPPORT,DEMISTER	02XB35017701	X	X	02XR35007401
47	COVER,DEMISTER	X	02XR05005801	->	->
48	SUPPORT,DEMISTER	02XB35017501	X	X	02XR35007201
49	COVER,DEMISTER	X	02XR05005901	->	->
50	SUPPORT,DEMISTER	02XR45007801	X	X	02XR35007601
51	SUPPORT,DEMISTER PLATE	X	02XR05006001	->	->
52	SPACER	(2) 02XB35003801	(2) ->	(2) ->	(2) ->
52 A	SPACER (SSN 1504Q)	X	X	X	X
53	FILTER,DEMISTER (NOTCHED)	02XB35017801	02XR05006502	->	02XR35007501
53 A	FILTER,DEMISTER (NOTCHED)(SSN 1504	X	X	X	X
53 B	FILTER,DEMISTER(NOTCHED)(SSN 2704Q	X	X	X	02XR05006502
54	SPEED NUT	(2) AS01XD180	X	X	(2) AS01XD180
54 A	SPEED NUT (SSN 1504Q)	X	X	X	X
55	OIL HEATER INFORMATION	SEE NOTE	->	->	->
	Note: For Some Frame #3 And Frame #4 Compressors Built Between 12/01				
	And 6/02 A Line Voltage Oil Heater Was Installed. Contact RCD				
	With Machine Serial For Proper Oil Heater Selection.				
	Or Refer To IT#34 On Job Data Label For Heater Part Number.				
55 A	OIL HEATER (115 VOLT)	02XR45005601	->	->	02XR05001501
55 B	OIL HEATER (380-416 VOLT) (WHITE)	X	02XR45012101	->	X
55 C	OIL HEATER (440-480 VOLT) (BLUE)	X	02XR45012102	->	X
55 D	OIL HEATER (346 VOLT) (YELLOW)	X	02XR45012103	->	X
55 E	OIL HEATER (575 VOLT) (RED)	X	02XR45012104	->	X

PARTS LIST CATALOG

PARTS LIST PAGE: 037

CATALOG NO.: RCD-3519-061 REV. B
SUPERSEDES : RCD-3519-061 REV. A

NOTE: SEE "CATALOG NOTES" ON LAST PAGE FOR EXPLANATION OF SYMBOLISM.

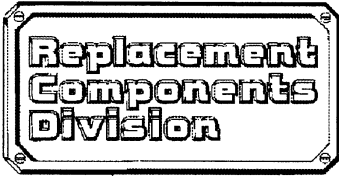


CENTRIFUGAL CHILLER
(INCLUDES 19XR & 19XR
INFORMATION)

19XR

SIZE: 002 005
SERIES: 1

ITM	PART DESCRIPTION	19XR FR#4	19XR FR#4 (SRD)	19XR FR#4 (2002)	19XR FR#5
		COMPR. SIZE	COMPR. SIZE	COMPR. SIZE	COMPR. SIZE
COMPRESSOR GROUP					
55 F	OIL HEATER (200-220 VOLT) (BLACK)	X	02XR45012105	->	X
55 G	OIL HEATER (230-240 VOLT) (GRAY)	X	02XR45012106	->	X
56	SEAL WASHER (INSIDE)	AU29AB561	->	->	->
57	BRACKET,HEATER SUPPORT	02XR45005801	->	->	02XR45005802
58	EXTERNAL RING,BOX (OIL HEATER)	HX22FB052	->	->	->
59	COVER,BOX (OIL HEATER)	HX02FB050	->	->	->
60	N MOTOR TEMP SENSOR (WITH REMIND ONLY)	(2) 32MP500354	(2) ->	(2) ->	(2) ->
61	HERMETIC TERM.(THRUST/MTR SENSOR)	(2) HY85FP022	(2) ->	(2) ->	(2) ->
62	COVER,BOX (THRUST/MOTOR SENSORS)	(2) HX08F2050	(2) ->	(2) ->	(2) ->
63	BOX EXTENSION (THRUST/MTR SENSOR)	(2) HX22FS036	(2) ->	(2) ->	(2) ->
64	THRUST SENSOR ASSEMBLY	02XR44004301	->	->	02XR44004302
	Includes: Item #65.				
65	SENSOR (1.38" BULB)	HH79NZ044	->	->	->
66	MOTOR SPRAY NOZZLE	X	CONTACT CARRIER(RCD)	->	X
67	MOTOR SPRAY NOZZLE	02XR44003601	CONTACT CARRIER(RCD)	->	PER MACHINE
68	ORIFICE,MOTOR SPRAY	X	X	02XR05002903	02XR05002902
69	"O" RING	X	X	KK71EW912	->
70	COUPLING (3/4" TUBE)	DE08DA401	->	->	->
71	MOTOR COOLING ORIFICE	02XR05003001	X	X	02XR05003001
71 A	MOTOR COOLING ORIFICE (3/8 NOM.)	X	X	02XR05003001	X
71 B	O-RING	X	X	KK71EW906	X
71 C	MOTOR COOLING ORIFICE (3/4 NOM.)	X	02XR05009401	02XR05002903	X
71 D	O-RING	X	KK71EW912	->	X
71 E	MOTOR COOLING ORIFICE (0.109/0.104)	X	02XR05003001	->	X
71 F	O-RING	X	KK71EW906	->	X
71 G	MOTOR COOLING ORIFICE (0.156/0.151)	X	02XR05003003	->	X
71 H	O-RING	X	KK71EW906	->	X
71 J	MOTOR COOLING ORIFICE (0.255/0.250)	X	02XR05002903	X	X
71 K	O-RING	X	KK71EW912	X	X
71 L	CONNECTOR (3/4")	X	X	02XR05009401	X
72	CAP,FLARE 1/2"	(2) DD19DA201	(2) ->	(2) ->	(2) ->
73	GASKET,FLARE 1/2"	(2) DD24FA151	(2) ->	(2) ->	(2) ->
74	VALVE,OIL CHARGE (3/8"NPT)	EP23LA155	->	->	->
75	FITTING,IMPELLER PRESS. TUBE	X	(2) DD07UA051	X	X
76	VALVE,ANGLE	EP12BC272	X	X	EP12BC331
77	ROLL PIN (1/4"OD X 3/4"LG)	AX14CA168	->	->	->
78	ROLL PIN,IMPELLER LABY	X	X	X	X
79	POSITIONING WASHER (OIL HEATER)	02XR45006001	->	->	->
80	ELBOW,90 DEG. SWIVEL	X	(2) DD41CA501	(2) ->	X
81	ELBOW,90 DEG. SWIVEL	X	DD41CA502	->	->
82	CONNECTOR,STR(1-1/16-12)	DC80SA032	->	X	X
	Includes: Item #83.				
83	"O" RING,STR CONNECTOR	KK71EW912	->	X	X
84	CONNECTOR,STR. (7/8 X 1-3/16-12)	X	X	DC80SA040	X
	Includes: Item #85.				



CENTRIFUGAL CHILLER
(INCLUDES 19XR & 19XRV
INFORMATION)

19XR

SIZE: 002 005
SERIES: 1

ITM	PART DESCRIPTION	19XR FR#4	19XR FR#4 (SRD)	19XR FR#4 (2002)	19XR FR#5
		COMPR. SIZE	COMPR. SIZE	COMPR. SIZE	COMPR. SIZE
COMPRESSOR GROUP					
85	"0" RING,STR CONNECTOR	X	X	KK71EW914	X
86	COUPLING (3/4" NPT)(USED AFTER 12/01	X	X	X	X
87	TRANSDUCER,PRESSURE	(2) HK05Y2007	(2) ->	(2) ->	(3) ->
88	VALVE,SERVICE (SCHRADER)	(5) 06DA403844	(5) ->	(5) ->	(5) ->
89	STR CONNECTOR(3/8 X 9/16-18)	02XB05000301	(2) ->	->	->
	Includes: Item #90.				
90	"0" RING,STR CONNECTOR	KK71EW906	->	->	->
91	ELL CONNECTOR(3/8 X 9/16-18)	(3) 02XB05000601	->	X	(2) 02XB05000601
	Includes: Item #92.				
92	"0" RING,ELL CONNECTOR	KK71EW906	->	X	KK71EW906
93	STRAINER (OIL RECLAIM)	KH11NG070	->	->	->
94	EDUCTOR	02XB05002201	02XR05004303	->	02XB05002201
94 A	EDUCTOR (SSN 1504Q)	X	X	X	X
94 B	EDUCTOR (SSN 2704Q)	X	X	X	02XR05004303
95	ELBOW,SWIVEL (90 DEG.1/2")	(2) DD41CA101	X	(2) DD41CA101	X
96	STRAIGHT CONNECTOR (SHORT)	02XB05000501	->	->	X
	Includes: Item #97.				
97	"0" RING,STR CONNECTOR (SHORT)	KK71EW912	->	->	X
98	STR CONNECTOR(LONG)(3/4 X 1 1/16-12)	02XB05000201	->	->	X
	Includes: Item #99.				
99	"0" RING,STR CONNECTOR	KK71EW912	->	->	X
100	FITTING,IN-LINE STRAINER	02XB05001001	->	->	02XR35006901
	Includes: Item #101.				
100 A	FITTING,IN-LINE STRAINER	X	X	X	X
101	"0" RING,STRAINER FITTING	KK71EW906	->	->	->
101 A	COUPLING,RECLAIM SUCTION LINE	X	X	X	DE08DA101
102	SIGHTGLASS (3/8 FL)	KM43AG002	->	->	->
103	EXPANSION VALVE	(2) 02XR05000101	02XR05004001	(2) ->	(2) 02XR05001401
103 A	EXPANSION VALVE (SSN 1504Q)	X	X	X	X
103 B	EXPANSION VALVE (SSN 2704Q)	X	X	X	02XR05004101
104	HIGH DISCHARGE CUTOUT SWITCH	HK02ZA165	->	->	->
106	TEMPERATURE SENSOR	X	HH79NZ047	HH79NZ059	X
106 A	PLUG,O-RING SEAL (9/16-18)	X	X	X	X
	Includes: Item #106b				
106 B	"0" RING,PLUG SEAL	X	X	X	X
107	PLUG,O-RING SEAL (7/16-20)	X	CA64AM125	->	(2) ->
	Includes: Item #108.				
108	"0" RING,PLUG SEAL	X	KK71EW904	->	->
109	SEAL HOUSING ASY (DIFFUSER DRIVE)	X	02XR44011701	X	X
	Includes: Items #110 - 120.				
109 A	SEAL HSG ASY(DIFF. DRIVE)(PSN 2704Q)	X	X	X	02XR54001801
109 B	SEAL HSG ASY(DIFF. DRIVE)(SSN 2704Q)	X	X	X	02XR54008901
110	SEAL RETAINER & BEARING ASY	X	02XR04001801	X	X
110 A	SEAL HOUSING (PSN 2704Q)	X	X	X	02XR44001601
110 B	SEAL HOUSING (SSN 2704Q)	X	X	X	02XR04001201



**CENTRIFUGAL CHILLER
(INCLUDES 19XR & 19XR
V INFORMATION)**

19XR

SIZE: 002 005
SERIES: 1

ITM	PART DESCRIPTION	19XR FR#4	19XR FR#4 (SRD)	19XR FR#4 (2002)	19XR FR#5
		COMPR. SIZE	COMPR. SIZE	COMPR. SIZE	COMPR. SIZE
COMPRESSOR GROUP					
111	"O" RING	X	KK71EW210	X	KK71EW212
112	BUSHING	X	KT53XL066	X	KT53XL093
113	"O" RING	X	NOT SOLD SEPARATELY	X	KK71EW924
114	PINION & SHAFT	X	02XR45013001	X	X
114 A	PINION & SHAFT (PSN 2704Q)	X	X	X	02XR55007201
114 B	PINION & SHAFT (SSN 2704Q)	X	X	X	02XR55015701
115	PELLET	X	X	X	19EA411031
116	WASHER,THRUST	X	AU51YA401	X	AU51YA391
117	"O" RING	X	KK71EW220	X	KK71EW225
118	"V" RING ASY	X	X	X	KK71HT014
119	"V" RING ASY	X	X	X	KK71HT016
120	BUSHING	X	KT53XL066	X	KT53XL093
121	WHEEL ASY,VARIABLE DIFFUSER	X	(3) 02XR44011601	X	(3) 02XR54002101
122	CAM LOCK,ROLLER	X	(3) 02XR45013301	X	(3) 02XR55003501
123	GEAR RACK	X	02XR45013101	X	02XR55007301
124	BRACKET,ACTUATOR SUPPORT	X	X	X	02XR55007601
125	MOTOR,ACTUATOR (VARIABLE DIFFUSER)	X	HF26BB029	X	HF26BB029
126	POTENTIOMETER	X	AD-718-701	X	AD-718-701
127	"O" RING (DIFFUSER/BASE)	X	KK71EW475	X	KK71EU175
128	"O" RING (DIFFUSER DRIVE SEAL)	X	KK71EW228	X	KK71EW235
129	MOUNTING RING	X	02XR45013801	X	X
130 A	COUPLING,JAW (PSN 2704Q)	X	X	X	02XR54007701
130 B	COUPLING,JAW (SSN 2704Q)	X	X	X	02XR54009601
131	GUARD,DIFFUSER CHAIN	X	02XR44013101	X	X
132	SPROCKET,DIFFUSER DRIVE	X	02XR05009202	X	X
133	SPROCKET,DIFFUSER MOTOR	X	02XR05009201	X	X
134	CHAIN,DIFFUSER DRIVE	X	02XR05007501	X	X
135	SUPPORT FOOT,DIFFUSER	X	(6) 02XR05002001	X	(6) 02XR05002001
136	POINTER	X	02XR05007701	X	X
137	CONNECTOR,STRAIGHT (3/4 X 1-1/16-12)	X	02XR05009401	->	X
138	"O" RING	X	KK71EW912	->	X
COMPRESSOR TRANSMISSION ASSEMBLY					
200	BEARING,DRIVE END LO-SPEED	02XR45003101	->	->	02XR55011401
201	COVER,HI-SPEED OIL CATCHER	02XR45007401	->	->	02XR55003902
202	COVER,LO-SPEED OIL CATCHER	02XB35027501	->	->	02XR55003901
203	BEARING,COMPR. END LO-SPEED	02XR45009501	->	->	02XR55005301
204	BEARING,DRIVE END HI-SPEED	02XR45003201	->	->	02XR55001501
205	SHAFT LABYRINTH,LO-SPEED	X	02XR44003804	->	02XR54005801
206	SHAFT LABYRINTH,LO-SPEED (SEE NOTE)	02XR45003301	X	X	X
	For Proper Selection Refer To Chart 1A Or 1B On Graphic Page 19061004.				
207	SHAFT LABYRINTH,LO-SPEED (SEE NOTE)	02XR44003801	X	X	X
	For Proper Selection Refer To Chart 1A Or 1B On Graphic Page 19061004.				
208	SHAFT LABYRINTH,LO-SPEED (SEE NOTE)	02XR44003804	X	X	X
	For Proper Selection Refer To Chart 1A Or 1B On Graphic Page 19061004.				
209 A	ROTOR & LO-SPEED GEAR ASY (60HZ)	PER MACHINE	->	->	->

PARTS LIST CATALOG

PARTS LIST PAGE: 040

CATALOG NO.: RCD-3519-061 REV. B
SUPERSEDES : RCD-3519-061 REV. A

NOTE: SEE "CATALOG NOTES" ON LAST PAGE FOR EXPLANATION OF SYMBOLISM.



CENTRIFUGAL CHILLER
(INCLUDES 19XR & 19XRV
INFORMATION)

19XR

SIZE: 002 005
SERIES: 1

ITM	PART DESCRIPTION	19XR FR#4	19XR FR#4 (SRD)	19XR FR#4 (2002)	19XR FR#5
		COMPR. SIZE	COMPR. SIZE	COMPR. SIZE	COMPR. SIZE
COMPRESSOR TRANSMISSION ASSEMBLY					
	Includes: Items #210 - 212.				
209 B	ROTOR & LO-SPEED GEAR ASY (50HZ)	PER MACHINE	->	->	->
	Includes: Items #210 - 212.				
210 A	GEAR,LO-SPEED (60HZ)	X	X	X	X
	For Frame 2 Compr. Only! For Proper Selection Refer To Chart #1A On Graphic Page 19061004.				
210 B	GEAR,LO-SPEED (50HZ)	X	X	X	X
	For Frame 2 Compr. Only! For Proper Selection Refer To Chart #1A On Graphic Page 19061004.				
210 C	GEAR,LO-SPEED (60HZ)	X	X	X	X
	For Frame 2 Compr. Only! For Proper Selection Refer To Chart #1A On Graphic Page 19061004.				
210 D	GEAR,LO-SPEED (50HZ)	X	X	X	X
	For Frame 2 Compr. Only! For Proper Selection Refer To Chart #1A On Graphic Page 19061004.				
210 E	GEAR,LO-SPEED (60HZ)	02XR45003401	02XR45014601	->	02XR55017001
	For Frame 2 Compr. Only! For Proper Selection Refer To Chart #1A On Graphic Page 19061004.				
210 F	GEAR,LO-SPEED (50HZ)	02XR45003402	02XR45014602	->	02XR55017002
	For Frame 2 Compr. Only! For Proper Selection Refer To Chart #1A On Graphic Page 19061004.				
211	RING,RETAINING	02XB35005201	->	->	02XR55003801
211 A	RING,RETAINING	X	X	X	X
	For Frame 2 Compr. Only! For Proper Selection Refer To Chart #1A On Graphic Page 19061004.				
211 B	RING,RETAINING	X	X	X	X
	For Frame 2 Compr. Only! For Proper Selection Refer To Chart #1A On Graphic Page 19061004.				
211 C	RING,RETAINING	X	X	X	X
	For Frame 2 Compr. Only! For Proper Selection Refer To Chart #1A On Graphic Page 19061004.				
212	KEY	(2) 02XR45007201	(2) ->	(2) ->	(2) 02XR45007202
213	SHROUD ASSEMBLY (SEE NOTE)	02XR44000801	02XR44008901	->	02XR54002901
	Frame 2 Compr.Only! Use for Machines with Serial Number Prior to 1504Q				
213 A	SHROUD ASSEMBLY (SEE NOTE)	X	X	X	X
	Frame 2 Compr.Only! Use for Machines with Serial Number After 1504Q				
214	STRIPPER (GEAR OIL)	02XR45007501	->	->	02XR55004701
THRUST BEARING ASSEMBLY					
215 A	HI-SPEED SHAFT ASY(60HZ)	02XR44000701	X	02XR44013201	02XR54002801
	Includes: Items #216 - 227.				
215 B	HI-SPEED SHAFT ASY(50HZ)	02XR44000702	X	02XR44013202	02XR54002802
	Includes: Items #216 - 227.				
215 C	HI-SPEED SHAFT ASY (60HZ) (PSN 0102Q)	X	02XR44000701	X	X
	Includes: Items #216 - 227.				
215 D	HI-SPEED SHAFT ASY (50HZ) (PSN 0102Q)	X	02XR44000702	X	X

PARTS LIST CATALOG

PARTS LIST PAGE: 041

CATALOG NO.: RCD-3519-061 REV. B
SUPERSEDES : RCD-3519-061 REV. A

NOTE: SEE "CATALOG NOTES" ON LAST PAGE FOR EXPLANATION OF SYMBOLISM.



**CENTRIFUGAL CHILLER
(INCLUDES 19XR & 19XRV
INFORMATION)**

19XR

SIZE: 002 005
SERIES: 1

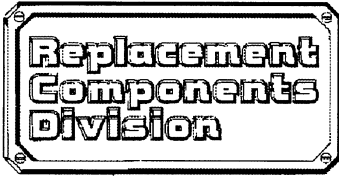
ITM	PART DESCRIPTION	19XR FR#4	19XR FR#4 (SRD)	19XR FR#4 (2002)	19XR FR#5
		COMPR. SIZE	COMPR. SIZE	COMPR. SIZE	COMPR. SIZE
THRUST BEARING ASSEMBLY					
	Includes: Items #216 - 227.				
215 E	HI-SPEED SHAFT ASY (60HZ) (SSN 0102Q)	X	02XR44013201	X	X
	Includes: Items #216 - 227.				
215 F	HI-SPEED SHAFT ASY (50HZ) (SSN 0102Q)	X	02XR44013202	X	X
	Includes: Items #216 - 227.				
216 A	IMPELLER SHAFT (60HZ)	02XR45008601	X	02XR45014701	02XR55017101
	Important! For Frame #3 And #4 Compr. Only, Refer To Impeller Shaft Selection Chart #1 On Graphic 19061004 And Bulletin C9921.				
216 B	IMPELLER SHAFT (50HZ)	02XR45008602	X	02XR45014702	02XR55017102
	Important! For Frame #3 And #4 Compr. Only, Refer To Impeller Shaft Selection Chart #1 On Graphic 19061004 And Bulletin C9921.				
216 C	IMPELLER SHAFT (60HZ) (PSN 0102Q)	X	02XR45008601	X	X
216 D	IMPELLER SHAFT (50HZ) (PSN 0102Q)	X	02XR45008602	X	X
216 E	IMPELLER SHAFT (60HZ) (SSN 0102Q)	X	02XR45014701	X	X
216 F	IMPELLER SHAFT (50HZ) (SSN 0102Q)	X	02XR45014702	X	X
217	SLINGER	02XB35016301	->	->	02XR55010401
218	THRUST BEARING ASSEMBLY	19XR660008	->	->	19XR660025
	Includes: Item #219.				
219	ROLL PIN	(12) AX14CA035	(12) ->	(12) ->	(12) ->
220	THRUST SHOE ASSEMBLY (SET OF 6)	02XR44000601	->	->	02XR54004301
221	SPACER RING	02XR45003901	->	->	02XR55010101
222	SEAL RING	02XR45004101	->	->	02XR55010301
223	RETAINING RING	AU48AA511	->	->	AU48AA591
224	RETAINING RING (5-1/2")	02XR45004001	->	->	02XR55010201
225	LEVELING PAD	(12) 19D110105	(12) ->	(12) ->	(12) 19D320052
226	ADJUSTING PAD PACKAGE	19D23841	->	->	->
227	SCREW, SOCKET HEAD	(5) AA44AA109	(5) ->	(5) ->	(5) ->
ROLLER ELEMENT BEARING (REB)					
228 A	SHAFT ASY, HI-SPEED (REB) (60HZ)	X	X	X	X
228 B	SHAFT ASY, HI-SPEED (REB) (50HZ)	X	X	X	X
229 A	SHAFT, IMPELLER (REB) (60HZ)	X	X	X	X
229 B	SHAFT, IMPELLER (REB) (50HZ)	X	X	X	X
230	SPRING, WAVE (REB)	X	X	X	X
231	RETAINER, HI-SPEED THRUST BEARING (X	X	X	X
232	SPACER, HI-SPEED THRUST BEARING (RE	X	X	X	X
233	ROLLER BEARING, HI-SPEED THRUST (RE	X	X	X	X
234	ROLLER BEARING, HI-SPD COUNTER THRU	X	X	X	X
235	ROLLER BEARING, CYLINDRICAL (REB)	X	X	X	X
236	SPACER, HI-SPEED SHAFT (REB)	X	X	X	X
237	SPACER, HI-SPEED LUBE (REB)	X	X	X	X
238	RING, REATINER (REB)	X	X	X	X
239	"O" RING (REB)	X	X	X	X
240	RETAINER, HI-SPEED SHAFT (REB)	X	X	X	X
241	RETAINER, HI-SPEED SHAFT BEARING (REB	X	X	X	X
242	"O" RING (9/16) (REB)	X	X	X	X

PARTS LIST CATALOG

PARTS LIST PAGE: 042

CATALOG NO.: RCD-3519-061 REV. B
SUPERSEDES: RCD-3519-061 REV. A

NOTE: SEE "CATALOG NOTES" ON LAST PAGE FOR EXPLANATION OF SYMBOLISM.



CENTRIFUGAL CHILLER
(INCLUDES 19XR & 19XRV
INFORMATION)

19XR

SIZE: 002 005
SERIES: 1

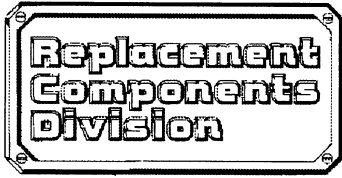
ITM	PART DESCRIPTION	19XR FR#4	19XR FR#4 (SRD)	19XR FR#4 (2002)	19XR FR#5
		COMPR. SIZE	COMPR. SIZE	COMPR. SIZE	COMPR. SIZE
	ROLLER ELEMENT BEARING (REB)				
243	"O" RING (5/16) (REB)	X	X	X	X
	GUIDE VANE & BLADE RING				
244	BLADE RING ASSEMBLY	02XR44000501	02XR44011201	->	02XR44000501
	Includes: Items #245 - 258.				
244 A	BLADE RING ASSEMBLY (SSN 2704Q)	X	X	X	02XR44011201
	Includes: Items #245a - 258.				
245	PULLEY,DRIVE	19EA511003	02XR45011001	->	19EA511003
245 A	PULLEY,DRIVE (SSN 2704Q)	X	X	X	02XR45011001
246	PULLEY,BLADE	(6) 19EA512142	(6) 02XR05007001	(6) ->	(6) 19EA512142
246 A	PULLEY,BLADE (SSN 2704Q)	X	X	X	02XR05007001
247	PULLEY,IDLER	(7) 19C47771	(7) 19C476131	(7) ->	(7) 19C47771
247 A	PULLEY,IDLER (SSN 2704Q)	X	X	X	19C476131
248	BUSHING,BLADE	(14) KT53XL102	(14) ->	(14) ->	(14) ->
249	BLADE,PREMHIRL	(7) 19EA660017	(7) ->	(7) ->	(7) ->
249 A	BLADE,PREMHIRL (SSN 2704Q)	X	X	X	19EA52418
250	CABLE,GUIDE VANE	19EA51102	02XR04001303	->	19EA51102
251 A	TAPERED SHAFT (IDLER PULLEY)	(7) 19EA512022	X	X	(7) 19EA512022
251 B	BOLT,SHOULDER (IDLER PULLEY)	(7) AH27AM295	(7) ->	(7) ->	(7) ->
253	BUSHING (IDLER PULLEY)	(7) KT53XL065	(7) ->	(7) ->	(7) ->
254	SNAP RING/HEX NUT(USED W/ITEM 164A)	(7) AU48AR062	X	(7) X	(7) AU48AR062
255	NUT,JAM (USED W/ITEM 164B)	(7) AT40AA301	(7) ->	(7) ->	(7) ->
256	COTTER PIN (3/32)	(2) AX01AA027	(2) ->	X	(2) AX01AA027
257	SET SCREW 1/4-20	(2) AE13AR170	(2) ->	X	(2) AE13AR170
258	WASHER	(7) 19EA512012	(7) ->	X	(7) 19EA512012
259	SEAL HOUSING	02XB35008101	X	X	02XB35008101
260	SEAL HOUSING ASY.	02XR44001601	02XR04001201	->	->
	Includes: Items #261 - 263.				
261	BUSHING	KT53XL093	->	->	->
262	"O" RING	X	KK71EW212	->	->
263	"O" RING	X	KK71EW924	->	->
264	DRIVE SHAFT (STAINLESS STEEL)	02XR45004401	02XR45012501	02XR05004404	02XR45004402
264 A	DRIVE SHAFT (S'LESS STEEL)(SSN 1504Q)	X	X	X	X
264 B	DRIVE SHAFT (S'LESS STEEL)(SSN 2704Q)	X	X	X	02XR05004405
265	"V" RING (INNER)	KK71HT016	X	X	KK71HT016
266	"V" RING (OUTER)	KK71HT014	X	X	KK71HT014
267	"O" RING (2.50"OD)	KK71EW228	X	X	KK71EW228
268	WASHER	AU51YA391	->	->	->
269	PELLET (1/8" DIA NYLON)	19EA411031	X	X	19EA411031
270	ROLL PIN (11/16" LG)	AX14CA044	->	->	->
270 A	ROLL PIN (11/16" LG)(SSN 1504Q)	X	X	X	X
271	KEY	19D211391	->	->	->
272 A	MOTOR,ACTUATOR (PIC I MACH.)	HF26BB026	X	X	HF26BB026
272 B	POTENTIOMETER	AD-718-702	X	X	AD-718-702
272 C	MODULE,DRIVE	CP-8391-920	X	X	CP-8391-920
272 D	MOTOR,ACTUATOR (PIC II MACH.)	HF26BB030	->	->	->

PARTS LIST CATALOG

PARTS LIST PAGE: 043

CATALOG NO. : RCD-3519-061 REV. B
SUPERSEDES : RCD-3519-061 REV. A

NOTE: SEE "CATALOG NOTES" ON LAST PAGE FOR EXPLANATION OF SYMBOLISM.



CENTRIFUGAL CHILLER
(INCLUDES 19XR & 19XRV
INFORMATION)

19XR

SIZE: 002 005
SERIES: 1

ITM	PART DESCRIPTION	19XR FR#4	19XR FR#4 (SRD)	19XR FR#4 (2002)	19XR FR#5
		COMPR. SIZE	COMPR. SIZE	COMPR. SIZE	COMPR. SIZE
GUIDE VANE & BLADE RING					
272 E	POTENTIOMETER	AD-718-704	->	->	->
273	MOUNTING PLATE (ABS)	02XR05002801	->	->	->
274	CHAIN GUARD (ABS)	02XR05003301	->	->	->
275	CHAIN KIT (#35) (3/8" PITCH)	19FA660016	->	->	->
276	SPROCKET, HUB	17FA5021583	X	X	17FA5021583
277	SPROCKET, DRIVE	17FA5021712	02XR05009201	->	17FA5021712
277 A	SPROCKET, DRIVE (SSN 2704Q)	X	X	X	02XR05009201
278	SPROCKET, SHAFT	17FA5121543	02XR05005701	->	17FA5121543
278 A	SPROCKET, SHAFT (SSN 2704Q)	X	X	X	02XR05005701
279	EXPANSION NUT (#8 NYLON)	(9) AT99RA101	X	X	(9) AT99RA101
280	SET SCREW (5/16-18 X 1/2" LG)	(2) AE12AA196	(2) ->	(2) ->	(2) ->
281	SPACER (1/2")	(3) 17FA5021762	X	X	(3) 17FA5021762
282	SPACER (1-1/8")	(2) 02XR45006202	X	X	(2) 02XR45006202
283	SPACER (1-7/8")	(2) 02XR45006201	(2) ->	(2) ->	(2) ->
284	KEY	17FA5021782	->	->	->
TERMINAL ARRANGEMENT					
285	SPRING WASHER (LO-VOLT)(INTERNAL)	(6) AU51AS391	(6) ->	(6) ->	(6) ->
286	LO-VOLTAGE TERMINAL ASY.	(6) 02XR45004301	(6) ->	(6) ->	(6) ->
	Includes: Item #287.				
287	LO-VOLT TERMINAL "0" RING	(6) KK71EW924	(6) ->	(6) ->	(6) ->
288	LO-VOLTAGE TERMINAL FOAM PAD	19XR45002001	->	->	19XR55001801
289	LO-VOLTAGE TERMINAL FRAME ASY.	19XR44000401	->	->	->
290	THERMAL INSULATOR (1 1/8" OD)	(6) 02XB05001801	(6) ->	(6) ->	(6) ->
291	N INSULATING SLEEVE, LO-VOLT TERMS.	(6) LF33MM112	(6) ->	(6) ->	X
292	N INSULATING SLEEVE, LO-VOLT TERMS. (VFD)	(6) LF33MM112	(6) ->	(6) ->	X
293	N INSULATING PUTTY, MED-VOLT TERMS.	19EA41111102	->	->	->
294	N ELECTRICAL TAPE, MED-VOLT TERMS.	19EA41111112	->	->	->
295	HI-VOLTAGE TERMINAL ASY.	(3) 02XB05003001	(3) ->	(3) ->	(3) ->
	Includes: Items #296 - 298.				
296	HI-VOLTAGE TERM. "0" RING (INNER)	(3) KK71EW325	(3) ->	(3) ->	(3) ->
297	HI-VOLTAGE TERM. "0" RING (OUTER)	(3) KK71EW311	(3) ->	(3) ->	(3) ->
298	HI-VOLTAGE TERMINAL REBUILD KIT	19XR660018	->	->	->
	Note: Consists Of Hex Nut, Washer, Sleeves And "0" Rings It# 296 & 297				
299	HI-VOLTAGE TERMINAL STUD	(3) 02XB05003101	(3) ->	(3) ->	(3) ->
	Note: Terminal Stud May Req. Field Modification Before Installation.				
300	HI-VOLTAGE CONNECTOR LUG	(3) 02XB05002901	(3) ->	(3) ->	(3) ->
301	HI-VOLTAGE TERMINAL FOAM PAD	19XR45001501	->	->	->
302	HI-VOLTAGE TERMINAL FOAM PAD	19XR75001401	->	->	->
303	HI-VOLTAGE TERMINAL, FRAME ASY.	19XR44001201	->	->	->
304	"0" RING (TERMINAL PLATE)	(2) KK71EW128	->	(2) ->	(2) ->
LUBRICATION PACKAGE					
305 A	OIL PUMP ASY (200/240-60)W/OIL FILTE	02XB34008901	02XR04002101	X	02XR54002701
305 B	OIL PUMP ASY (380/480-60)W/OIL FILTE	02XB34008902	02XR04002101	X	02XR54002702
305 C	OIL PUMP ASY (507/619-60)W/OIL FILTE	02XB34008905	02XR04002105	X	02XR54002705
305 D	OIL PUMP ASY (220/240-50)W/OIL FILTE	02XB34008903	02XR04002103	X	02XR54002703



CENTRIFUGAL CHILLER
(INCLUDES 19XR & 19XRV
INFORMATION)

19XR

SIZE: 002 005
SERIES: 1

ITM	PART DESCRIPTION	19XR FR#4	19XR FR#4 (SRD)	19XR FR#4 (2002)	19XR FR#5
		COMPR. SIZE	COMPR. SIZE	COMPR. SIZE	COMPR. SIZE
	LUBRICATION PACKAGE				
305 E	OIL PUMP ASY (346/440-50)W/OIL FILTE	02XB34008904	02XR04002104	X	02XR54002704
	Note: Oil Pump Assembly Item 305 Includes Internal Oil Filter.				
	Oil Pump Assemblies Include Items That Make Up Service Packages.				
306 A	OIL PUMP ASY (200/240-60)W/O OIL FIL	02XR04002101	->	->	02XR04002106
306 B	OIL PUMP ASY (380/480-60)W/O OIL FIL	02XR04002102	->	->	02XR04002107
306 C	OIL PUMP ASY (507/619-60)W/O OIL FIL	02XR04002105	->	->	02XR04002110
306 D	OIL PUMP ASY (220/240-50)W/O OIL FIL	02XR04002103	->	->	02XR04002108
306 E	OIL PUMP ASY (346/440-50)W/O OIL FIL	02XR04002104	->	->	02XR04002109
	Note: Oil Pump Asy Item 306 Are Used With External Inline Oil Filter.				
	Oil Pump Assemblies Include Items That Make Up Service Packages.				
307 A	N SERVICE PKG,STATOR (FOR IT#305 ONLY)	02XB34013801	X	X	02XB34013801
	Note: Stator Good For A Minimum Of 346V To Maximum Of 619V, All Hertz.				
307 B	N SERVICE PKG,STATOR (FOR IT#305 ONLY)	02XB34013802	X	X	02XB34013802
	Note: Stator Good For A Minimum Of 200V To Maximum Of 240V, All Hertz.				
307 C	N SERVICE PKG,STATOR (FOR IT#306 ONLY)	02XR04003501	->	->	->
	Note: Stator Good For A Minimum Of 346V To Maximum Of 619V, All Hertz.				
307 D	N SERVICE PKG,STATOR (FOR IT#306 ONLY)	02XR04003502	->	->	->
	Note: Stator Good For A Minimum Of 200V To Maximum Of 240V, All Hertz.				
307 E	N SERVICE PKG,ROTOR (COPELAND) (60HZ)	02XB34011401	->	->	02XR54012902
	Can be used with items #305 or #306 Includes: Items #308 - 332.				
307 F	N SERVICE PKG,ROTOR (COPELAND) (50HZ)	02XB34011402	->	->	02XR54012902
	Can be used with items #305 or #306 Includes: Items #308 - 332.				
308	MACHINE COVER	02XB35025501	->	->	02XR55005501
309	COVER,MOTOR END	X	02XR05008901	->	X
310	COVER,PUMP END	17CA611492	->	->	19EA5111143
311	PUMP SHAFT	02XB35025401	->	->	19EA5111133
312	ROTOR (COPELAND)	02XB05002401	->	->	->
313	SLEEVE (LONG)	02XB35024601	->	->	->
314	SLEEVE (SHORT)	02XB35024701	->	->	->
315	PUMP VANE	(4) 02XB35025301	(4) ->	(4) ->	(4) 19EA517012
316	CLAMPING RING	19D211011	->	->	(2) ->
317	DOWEL PIN (3/4" LONG)	(2) AX11AR168	(2) ->	(2) ->	(2) ->
318	DOWEL PIN (1-1/4" LONG)	(2) AX11AR132	(2) ->	(2) ->	(2) AX11AR172
319	HEX HD CAP SCREW (1/2-13 X 4")	NOT SOLD SEPARATELY	->	->	->
320	SOCK.HD SCREW (5/16-18 X 3/4")	NOT SOLD SEPARATELY	->	->	->
321	PIPE PLUG (1/8")	CA63AA001	->	->	->
322	PLUG (W/"O" RING)	(2) CA63AM200	(2) ->	(2) ->	(2) ->
323	"O" RING	KK71EW905	->	->	->
324 A	SET SCREW (1/4-20 X 7/16")	(2) AE64FR166	X	X	(2) AE64FR166
324 B	SET SCREW (1/4-20 X 1/2")	X	(2) AE12AA198	->	X
326	"O" RING (HERM TERM) (2 1/16"OD)	KK71EW134	->	->	->
327	HERMETIC TERMINAL (5 PIN)	HY85FP032	->	02XB05001201	HY85FP032
328	"O" RING	KK71EW257	KK71EW263	->	->
329	"O" RING	KK71EW165	->	->	->
330	RELIEF VALVE ASY (REGULATOR)	02XB34012201	02XR54003001	->	->

PARTS LIST CATALOG

PARTS LIST PAGE: 045

CATALOG NO.: RCD-3519-061 REV. B
SUPERSEDES : RCD-3519-061 REV. A

NOTE: SEE "CATALOG NOTES" ON LAST PAGE FOR EXPLANATION OF SYMBOLISM.



CENTRIFUGAL CHILLER
(INCLUDES 19XR & 19XR
INFORMATION)

19XR

SIZE: 002 005
SERIES: 1

ITM	PART DESCRIPTION	19XR FR#4	19XR FR#4 (SRD)	19XR FR#4 (2002)	19XR FR#5
		COMPR. SIZE	COMPR. SIZE	COMPR. SIZE	COMPR. SIZE
LUBRICATION PACKAGE					
331	"O" RING (1 3/16"OD)	KK71EW023	X	X	KK71EW023
332	VALVE (3/8")	EP23LA155	X	X	EP23LA155
333	OIL COOLER	02XB35031301	02XR05005401	->	02EX55000401
333 A	OIL COOLER (SSN 1504Q)	X	X	X	X
333 B	OIL COOLER (SSN 2704Q)	X	X	X	02XR05003201
334	BRACKET,OIL COOLER	X	(2) 02XB35031601	->	X
335	"O" RING (1 7/8"OD)	KK71EW223	->	X	KK71EW223
336	N FILTER KIT	02XB660004	X	X	02XB660004
	Includes: Items #337 - 338.				
337	FILTER CORE	KH09AZ003	X	X	KH09AZ003
338	"O" RING (4 5/8"OD)	KK71EW245	X	X	KK71EW245
339	ROD (FILTER SUPPORT)	02XB35015201	X	X	02XB35015201
340	HEX LOCK NUT (5/16-18)	AT55BA201	X	X	AT55BA201
341	FILTER RETAINER	02XB35014901	X	X	02XB35014901
342	FITTING,FEMALE ROTALOCK	X	02XR05005101	->	X
343	FITTING,MALE ROTALOCK	X	02XR05005201	->	X
343 A	SEAL,TEFLON	X	02XR05009101	->	X
345	BRACKET,OIL FILTER	X	(2) 02XR05009602	(2) ->	X
346	OIL FILTER,INLINE (INCLUDES IT#351)	X	02XR05006201	->	->
347	VALVE,SHUTOFF	X	02XR05005001	->	02XR04003001
347 A	VALVE,SHUTOFF	X	X	X	02XR05010601
349	TRANSDUCER,PRESSURE	X	HK05YZ007	->	->
350	COUPLING,MALE FLARE TO ODS FEMALE	X	X	X	X
351	"O" RING,INLINE OIL FILTER	X	24592	->	->
PIC CONTROLS					
400	PIC I CONTROL USED UNTIL WK#28 1998	PIC I CONTROLS	->	->	->
	Note: See Service Bulletin C9831 For More Details.				
400 A	POWER PANEL ASY,BASIC (PIC I)	19XR04000101	X	X	X
400 B	POWER PANEL ASY,OPTIONS (PIC I)	19XR04000102	X	X	X
400 C	POWER PANEL ASY,BASIC (FR#7,8 PIC I)	19XR04000103	X	X	19XR54004501
400 D	POWER PANEL ASY,OPTIONS (FR#7 PIC I)	19XR04000104	X	X	19XR54004502
	Includes: Items #401 - 414.				
401	TRANSFORMER (21V) (T1)	HT01BD113	X	X	HT01BD113
402	TRANSFORMER (24V) (T2) & (T3)	HT01AW235	X	X	(2) HT01AW235
403	TRANSFORMER ASY (OPTIONS)(T4)	HT01BD113	X	X	HT01BD113
	Includes: Items #404 - 406.				
404	N TRANSFORMER (21V)	HT01BD113	X	X	HT01BD113
405	N PLUG	HY06MP081	X	X	HY06MP081
406	N PIN	(3) HY57MP019	X	X	(3) HY57MP019
407	CONTACTOR(3 POLE)(OIL PUMP/HEATER)	(2) HN53CC024	X	X	(2) HN53CC024
407 A	AUXILIARY CONTACTOR (SIDE MOUNT)	HN53AB035	X	X	HN53AB035
408	PRESSURE SWITCH,DIFF.	HK06UB011	X	X	HK06UB011
409	BARRIER	19XB05000401	X	X	19XB05000401
410	TERMINAL BLOCK	19XB05002301	X	X	19XB05002301
411	VOLTAGE SELECTOR SWITCH	HR67ZZ125	X	X	HR67ZZ125

PARTS LIST CATALOG

PARTS LIST PAGE: 046

CATALOG NO. : RCD-3519-061 REV. B
SUPERSEDES : RCD-3519-061 REV. A

NOTE: SEE "CATALOG NOTES" ON LAST PAGE FOR EXPLANATION OF SYMBOLISM.



CENTRIFUGAL CHILLER
(INCLUDES 19XR & 19XRV
INFORMATION)

19XR

SIZE: 002 005
SERIES: 1

ITM	PART DESCRIPTION	19XR FR#4	19XR FR#4 (SRD)	19XR FR#4 (2002)	19XR FR#5
		COMPR. SIZE	COMPR. SIZE	COMPR. SIZE	COMPR. SIZE
PIC CONTROLS					
412	WIRE HARNESS (15 WIRE) 5AMP	19XB04002501	X	X	19XB04002501
413	GROUND LUG	HY90HR001	X	X	HY90HR001
414 A	COVER ASY (W/LABEL) (FR#1 - 6 ONLY)	19XR04000501	X	X	X
414 B	COVER ASY (W/LABEL) (FR#7,8 ONLY)	19XR04000502	X	X	19XR04000502
415	PIC I CONTROL USED UNTIL WK#28 1998	PIC I CONTROLS	->	->	->
Note: See Service Bulletin C9831 For More Details.					
415 A	CONTROL PANEL ASY,BASIC(PIC I)	19XR04000301	X	X	X
415 B	CONTROL PANEL ASY,OPTIONS(PIC I)	19XR04000302	X	X	X
415 C	CONTROL PANEL ASY,BASIC(FR#7,8 PIC I)	19XT04002101	X	X	19XR54004101
415 D	CONTROL PANEL ASY,OPTIONS(FR#7 PIC I)	19XT04002102	X	X	19XR54004102
Includes: Items #416 - 440.					
416 A	PANEL ASY (SHT. MTL.) (FR# 1 - 6 ONL)	19XR04000401	X	X	X
416 B	PANEL ASY (SHT. MTL.) (FR#7,8 ONLY)	19XR04003101	X	X	19EX04003101
Includes: Items #417 - 418.					
417	ANGLE,SUPPORT	19XB05001101	X	X	19XT05000401
418	HINGE	19XB05001201	X	X	19XB05001201
419	DOOR PANEL ASY	19EX04000501	X	X	19EX04000501
420	CAM LOCK (W/KEYS)	KA19NL010	X	X	KA19NL010
421	LID ASY (LOCAL INTERFACE DISPLAY)	CES0130036	X	X	CES0130036
422	LID BATTERY (SEE SB C9623)	CEC0120803-01	X	X	CEC0120803-01
423	RELAY BOARD (6 PACK)	HK35AA003	X	X	HK35AA003
424	POWER SUPPLY/COMPARITOR (5V DC)	HK35AA007	X	X	HK35AA007
425	MODULE ASY (PSIO)	19XR04017404	X	X	19XR04017404
426	PSIO BATTERY (SEE SB C9623)	CEC0120803-01	X	X	CEC0120803-01
427	CONTROL BOARD (SPLIT RING DIFFUSER)	X	X	X	CES0130038
428	CIRCUIT BREAKER (3.2 AMPS)	(4) HH83ZB001	X	X	(4) HH83ZB001
429	RUBBER BUMPER	(2) KA58MR001	X	X	(2) KA58MR001
430	RESISTOR (4.3K)	X	X	X	HT21A2111
431 A	N WIRE HARNESS ASY (15 WIRE)	19XR04008201	X	X	19XR04008201
432 B	N WIRE HARNESS ASY (6 WIRE)	19XB04002401	X	X	X
432 C	WIRE HARNESS ASY (5 WIRE)	19XR04009601	X	X	19XR04009601
432 D	N WIRE ASSEMBLY (RESISTORS)	19XB04003301	X	X	19XB04003301
Includes Item #432e.					
432 E	N RESISTOR (10K 1/2 W)	(3) HT21A2110	X	X	(3) HT21A2110
432 F	N CABLE ASY(COMPR. SUMP OIL TEMP)	HH79N2064	X	X	HH79N2064
432 G	N CABLE ASY(MTR. WINDING TEMP)	19EX04001601	X	X	19EX04001601
432 H	N CABLE ASY(THRUST BEARING TEMP)	19EX04001602	X	X	19EX04001602
432 J	N CABLE ASY(COOL. LEAVING WATER TEMP)	HH79N2064	X	X	HH79N2064
432 K	N CABLE ASY(COOL. ENTERING WATER TEMP)	HH79N2064	X	X	HH79N2064
432 L	N CABLE ASY(COND. LEAVING WATER TEMP)	HH79N2064	X	X	HH79N2064
432 M	N CABLE ASY(COND. ENTERING WATER TEMP)	HH79N2064	X	X	HH79N2064
432 N	N CABLE ASY(GUIDE VANE ACUATOR)	19EX54002701	X	X	19EX54002702
432 P	N CABLE ASY(COMPR. DISCH. TEMP)	HH79N2064	X	X	HH79N2064
432 R	N CABLE ASY(COMPR. OIL PRESS.)	19XB660008	X	X	19XB660008
432 S	N CABLE ASY(COND. & COOL. PRESS.)	19XB660008	X	X	19XB660008

PARTS LIST CATALOG

PARTS LIST PAGE: 047

CATALOG NO.: RCD-3519-061 REV. B
SUPERSEDES : RCD-3519-061 REV. A

NOTE: SEE "CATALOG NOTES" ON LAST PAGE FOR EXPLANATION OF SYMBOLISM.



**CENTRIFUGAL CHILLER
(INCLUDES 19XR & 19XRV
INFORMATION)**

19XR

SIZE: 002 005
SERIES: 1

ITM	PART DESCRIPTION	19XR FR#4	19XR FR#4 (SRD)	19XR FR#4 (2002)	19XR FR#5
		COMPR. SIZE	COMPR. SIZE	COMPR. SIZE	COMPR. SIZE
PIC CONTROLS					
432 T	N CABLE ASY(STARTER COMMUNICATION)	19XB660008	X	X	19XB660008
432 U	N CABLE ASY(DIFFUSER ACTUATOR)	X	X	X	19XR04009501
432 V	N CABLE ASY(DIFFUSER ACTUATOR)	X	X	X	19XB660008
433	N CONNECTOR PLUG (4 PIN) (SIDE PSIO)	HY84EE004	X	X	HY84EE004
434	N CONNECTOR PLUG (3 PIN) (SIDE PSIO)	HY84EE003	X	X	HY84EE003
435	N CONNECTOR PLUG (18 PIN)	(3) HY84EE021	X	X	(3) HY84EE021
436	N CONNECTOR PLUG (6 PIN)	HY06MP106	X	X	HY06MP106
437	N CONNECTOR PLUG (2 PIN)	HY06AM015	X	X	HY06AM015
438	N CONNECTOR PLUG (3 PIN)(SRD BOARD)	X	X	X	HY84EE103
439	N CONNECTOR PLUG (12 PIN) (SRD BOARD)	X	X	X	HY84EE112
440	MODULE (INPUT)(OPTIONS PANEL ONLY)	HK50AA006	X	X	HK50AA006
441	TEMPERATURE SENSOR (W/BOX NOZZLE)	(4) HH79NZ059	X	X	(4) HH79NZ059
442	TRANSDUCER,PRESSURE(COOL/COND)(PIC 1	(2) HK05YZ007	X	X	(2) HK05YZ007
443	N STARTER MANAGEMENT MODULE (SMM)	CES0121319-01	X	X	CES0121319-01
444	N TEMP SENSOR PKG (SHIPPED IN CONT BOX	(4) 32MP400333	X	X	(4) 32MP400333
	Includes: Items #445 - 446.				
445	N SENSOR (20" LEAD)	HH79NZ024	X	X	HH79NZ024
446	N MALE CONNECTOR	DC99RA015	X	X	DC99RA015
PIC II & PIC III CONTROLS GROUP					
447	PIC II/III CONTROLS AFTER WK#28 1998	PIC II & III CONTROL	->	->	->
	Note: See Service Bulletin C9831 For More Details.				
447 A	CONTROL PANEL (PIC II)(STANDARD)(CVC	19XR04016401	19XR04017504	X	19XR04016404
	Note: Used On Machines With A Serial Number Prior To 4101QXXXXX.				
447 B	CONTROL PANEL (PIC II)(W/DATAPORT)(C	19XR04016402	19XR04017505	X	19XR04016405
	Note: Used On Machines With A Serial Number Prior To 4101QXXXXX.				
447 C	CONTROL PANEL (PIC II)(W/DATALINK)(C	19XR04016403	19XR04017506	X	19XR04016406
	Note: Used On Machines With A Serial Number Prior To 4101QXXXXX.				
447 D	CONTROL PANEL (PIC II)(STANDARD)(ICV	X	19XR04030704	19XR04030701	19XR04030704
	Note: Used On Machines With A Serial Number After 4101QXXXXX And Without a VFD Or With A Liquid Flo I VFD.				
447 E	CONTROL PANEL (PIC II)(W/DATAPORT)(I	X	19XR04030705	19XR04030702	19XR04030705
	Note: Used On Machines With A Serial Number After 4101QXXXXX And Without A VFD Or With A Liquid Flo I VFD.				
447 F	CONTROL PANEL (PIC II)(W/DATALINK)(I	X	19XR04030706	19XR04030703	19XR04030706
	Note: Used On Machines With A Serial Number After 4101QXXXXX And Without A VFD Or With A Liquid Flo I VFD.				
447 G	CONTROL PANEL (PIC III) (STANDARD)	X	19XR04030804	19XR04030801	19XR04030804
	Note: Used On Machines With A Serial Number After 4101QXXXXX And With a Liquid Flo II VFD.				
447 H	CONTROL PANEL (PIC III) (W/DATAPORT)	X	19XR04030805	19XR04030802	19XR04030805
	Note: Used On Machines With A Serial Number After 4101QXXXXX And With a Liquid Flo II VFD.				
447 J	CONTROL PANEL (PIC III) (W/DATALINK)	X	19XR04030805	19XR04030803	19XR04030805
	Note: Used On Machines With A Serial Number After 4101QXXXXX And With a Liquid Flo II VFD.				

PARTS LIST CATALOG

PARTS LIST PAGE: 048

CATALOG NO.: RCD-3519-061 REV. B
SUPERSEDES : RCD-3519-061 REV. A

NOTE: SEE "CATALOG NOTES" ON LAST PAGE FOR EXPLANATION OF SYMBOLISM.



**CENTRIFUGAL CHILLER
(INCLUDES 19XR & 19XRV
INFORMATION)**

19XR

SIZE: 002 005
SERIES: 1

ITM	PART DESCRIPTION	19XR FR#4	19XR FR#4 (SRD)	19XR FR#4 (2002)	19XR FR#5
		COMPR. SIZE	COMPR. SIZE	COMPR. SIZE	COMPR. SIZE
PIC II & PIC III CONTROLS GROUP					
448	TERMINAL BLOCK	23XL05007901	->	->	->
449 A	CONTROLLER,CHILLER VISUAL (CVC)	19XR04011604	->	X	19XR04011604
	Note: Used On Machines With A Serial Number Prior To 4101QXXXXX				
449 B	CONTROLLER,CHILLER VISUAL (ICVC)	19XR04023404	->	->	->
	Note: Used On PIC II Machines With a Serial Number After 4101QXXXXX				
449 C	CONTROLLER,CHILLER VISUAL (ICVC)	X	X	19XR04029401	->
	Note: Used On PIC III Machines .				
450	MODULE,CHILLER CONTROL (CCM)	CES0130038	->	->	->
451	CIRCUIT BREAKER (CB)	(2) HH83ZB001	(2) ->	(2) ->	(2) ->
452	RESISTOR (4.3K) (TERM. 7 TO 8)	HT21AZ111	->	->	->
453	RESISTOR (10K) (TERM. 11 TO 12)	HT21AZ110	X	HT21AZ110	X
454	CAM LOCK (W/KEYS)	KA19NL010	->	->	->
455	BUMBER,RUBBER	(2) KA58MR001	(2) ->	(2) ->	(2) ->
456	BOLT,SHOULDER (SPECIAL)	(2) 19XR05007401	(2) ->	(2) ->	(2) ->
457	COVER,PANEL	19XR05007501	->	->	->
458 A	MODULE,DATAPORT OPTION	CEPL130363-01	->	->	->
458 B	MODULE,DATALINK OPTION	CEFA121549-02	->	->	->
459	CONNECTOR (6 PIN) (J12)	HY06MP106	->	->	->
460	CONNECTOR (5 PIN) (J1 ON CVC)	HY07MP505	->	->	->
461	CONNECTOR (2 PIN)	HY06AM015	->	->	->
462	CONNECTOR (3 PIN)	HY84EE103	->	->	->
463	CONNECTOR (4 PIN)	HY84EE104	->	->	->
464	CONNECTOR (6 PIN)	HY84EE106	->	->	->
465	CONNECTOR (12 PIN) (MARKED 1-12)	HY84EE112	->	->	->
466	CONNECTOR (12 PIN) (MARKED 13-24)	HY84EE132	->	->	->
467	CONNECTOR (14 PIN) (MARKED 1-14)	HY84EE114	->	->	->
468	CONNECTOR (14 PIN) (MARKED 15-28)	HY84EE134	->	->	->
469	CABLE,PRESS. TRANSDUCER (3 WIRE)	19XB660008	->	->	->
470	CABLE,TEMPERATURE SENSOR (2 WIRE)	HH79NZ064	->	->	->
471	WIRE HARNESS (10 WIRE)	19XR04010701	->	->	->
472	BRACKET,MOUNTING (DL & DP MODULE)	19XR05013701	->	->	->
473	CABLE ASY (CCM TO CVC)	19XR05009701	->	->	->
474	CAPACITOR	X	19XR05016201	X	X
475	SENSOR,TEMP. (WELL INSERTION)	(3) HH79NZ031	(3) ->	(3) ->	(3) ->
	Note: Included With Control Panels Installed On Machines With Serial Numbers After 4101QXXXXX. For Direct Insertion Temp. Sensors See Item #491. Compr. Disch. & Sump Temp, Cooler Saturation Temp. Sensor Includes Intergral Cable.				
476	SENSOR,TEMP. (WELL INSERTION)	(4) HH79NZ032	(4) ->	(4) ->	(4) ->
	Note: Included With Control Panels Installed On Machines With Serial Numbers After 4101QXXXXX. For Direct Insertion Temp. Sensors See Item #491. Cooler & Condenser Entering And Leaving Temp. Sensor Includes Intergral Cable.				
477	WELL,TEMP. SENSOR (USED W/IT 475 & 4	19EF5011212	->	->	->
477 A	SENSOR,HUMIDITY (FLOTTRONIC II VFD)	23XR04007701	->	->	->



**CENTRIFUGAL CHILLER
(INCLUDES 19XR & 19XRV
INFORMATION)**

19XR

SIZE: 002 005
SERIES: 1

ITM	PART DESCRIPTION	19XR FR#4	19XR FR#4 (SRD)	19XR FR#4 (2002)	19XR FR#5
		COMPR. SIZE	COMPR. SIZE	COMPR. SIZE	COMPR. SIZE
PIC II & PIC III CONTROLS GROUP					
478	PIC II/III CONTROLS AFTER WK#28 1998	PIC II & III CONTROL	->	->	->
	Note: See Service Bulletin C9831 For More Details.				
478 A	POWER PANEL ASY (PIC II) (SEE NOTE!)	19XR04009901	19XR04018103	X	19XR04009902
	Note: (Standard) Used On Machines With A Serial Number Prior To 4101Q And Without A VFD Or With A Liquid Flo I VFD.				
478 B	POWER PANEL ASY (PIC II) (SEE NOTE!)	19XR04009901	19XR04018103	X	19XR04009902
	Note: (Standard) Used On Machines With A Serial Number After 4101Q And Without A VFD Or With A Liquid Flo I VFD.				
478 C	POWER PANEL ASY (PIC II) (SEE NOTE!)	19XR04023001	19XR04021803	X	19XR04023002
	Note:(Dataport/Link) Used On Machines With A Serial Number After 4101Q And Without A VFD Or With A Liquid Flo I VFD.				
478 D	POWER PANEL ASY (PIC II) (SSN 5101Q)	19XR04018101	19XR04019903	->	X
	Note: Standard Power Panel.				
478 E	POWER PANEL ASY (PIC II) (SSN 5101Q)	19XR04021801	19XR04023003	->	X
	Note: Dataport & Datalink Power Panel.				
478 F	POWER PANEL ASY (PIC III) (SEE NOTE!)	X	19XR04028702	->	X
	Note: (Standard) Used On Machines With A Liquid Flo II VFD.				
478 G	POWER PANEL ASY (PIC III) (SEE NOTE!)	X	19XR04028802	->	X
	Note: (Dataport/Link) Used On Machines With A Liquid Flo II VFD.				
479	COVER,PANEL	19XB05000301	->	->	->
480	BARRIER	19XB05000401	->	->	->
481	TRANSFORMER (T1)	HT01AW235	->	->	->
482	TRANSFORMER (T2)	HT01AW235	->	->	->
482 A	TRANSFORMER (T3)	X	X	X	X
483	TERMINAL BLOCK	19XR05013101	->	->	->
484	CONTACTOR (OIL HEATER)	HN53CC024	->	->	->
484 A	AUXILIARY CONTACTOR (SIDE MOUNT)	HN53AB035	->	->	->
485	CONTACTOR (OIL PUMP)	HN53HC023	->	->	->
486	GROUND LUG	HY90HR001	->	->	->
487	ACCESS PANEL,LOW VOLTAGE	X	19XR05008401	X	X
488	MOUNTING BRACKET,CONTROL PANEL	19XR04010001	->	->	->
489	MOUNTING BRACKET,POWER PANEL	X	02XR04001501	X	X
490	TRANSDUCER,PRESSURE	(7) HK05YZ007	(7) ->	(7) ->	(7) ->
491	SENSOR,TEMPERATURE (DIRECT INSERTION	(5) HH79NZ059	(5) ->	(5) ->	(5) ->
	Note: Direct Insertion Type Used On Machines With Serial Numbers Prior To 4101QXXX. For Well Insertion Type See Items 475 & 476.				
492	INTEGRATED STARTER MODULE W/SCHEMATI	19XR04012202	->	->	->
494 A	FUSE,ISM (USED W/19XR04002201)	ATO-1	->	->	->
494 B	FUSE,ISM (USED W/19XR04002202)	GDB-1A	->	->	->
495	CABLE ASY (VFD FLO II SOLENOID)	19XR04029501	->	->	->
MACHINE ARRANGEMENT & PIPING					
500	0-RING (VFD COOL.) (2-BOLT FLANGE CON	(2) KK71EW118	(2) ->	(2) ->	X
501	FLANGE,FLAT FACED (VFW COOLING CONN.	(2) DK25CA314	(2) ->	(2) ->	X
502	FLANGE,0-RING GROOVE (VFW COOLING CO	(2) DK24CA315	(2) ->	(2) ->	X
503 A	VALVE,EXP.(VFW STARTER)(414 AMP)	02XR05003902	->	->	X



**CENTRIFUGAL CHILLER
(INCLUDES 19XR & 19XRV
INFORMATION)**

19XR

SIZE: 002 005
SERIES: 1

ITM	PART DESCRIPTION	19XR FR#4	19XR FR#4 (SRD)	19XR FR#4 (2002)	19XR FR#5
		COMPR. SIZE	COMPR. SIZE	COMPR. SIZE	COMPR. SIZE
MACHINE ARRANGEMENT & PIPING					
503 B	VALVE,EXP.(VFW STARTER)(500/643 AMP)	02XR05003901	->	->	X
503 C	VALVE,SOLENOID (LIQ FLO 2 VFD)	X	23XR05006601	->	X
503 D	VALVE,BALL (5/8) (LIQ FLO 2 VFD)	X	EP71BA201	->	X
504	CONNECTOR,BRAZE (THREADED CONN.)	(2) DF34CA019	(2) ->	(2) ->	(2) ->
505	O-RING (VFD COOL.)(THREADED CONN.)	(2) KK71EW016	(2) ->	(2) ->	(2) ->
506	SLEEVE,BRAZE O-RING FACE SEAL)	(2) DF02CA025	(2) ->	(2) ->	(2) ->
507	NUT (O-RING FACE SEAL)	(2) DF01CA007	(2) ->	(2) ->	(2) ->
507 A	STRAINER,REFRIGERANT (FLO II VFD)	X	23XR05015401	->	->
508	GASKET,RING (3")	(3) CT99QX501	(3) ->	(3) ->	(3) ->
509	GASKET,RING (4")	(2) CT99QX601	(2) ->	(2) ->	(2) ->
510	GASKET,RING (5")	X	X	X	(2) CT99QX651
511	GASKET,RING (6")	X	X	X	X
512	GASKET,RING (8")	X	X	X	X
513	GASKET,RING (10")	(3) CT99QN851	(3) ->	(3) ->	X
514	GASKET,RING (12")	(2) CT99QN951	(2) ->	(2) ->	(3) ->
515	GASKET,RING (16")	CT99QX960	->	->	(2) ->
516 A	VALVE,RELIEF(1/2")(COND. FR# 1 & 2)	(2) X	(2) X	(2) X	(2) X
516 B	VALVE,RELIEF(1")(COND. FR# 1 & 2)	(2) X	(2) X	(2) X	(2) X
516 C	VALVE,RELIEF (COND. FR# 3,4,5,6,7,8)	19EB660005	->	->	->
517 A	VALVE,RELIEF(1/2")(COOL. FR# 1 & 2)	(2) X	(2) X	(2) X	(2) X
517 B	VALVE,RELIEF(1")(COOL. FR# 1 & 2)	(2) X	(2) X	(2) X	(2) X
517 C	VALVE,RELIEF (COOL. FR# 3,4,5,6,7,8)	(2) 19EB660005	(2) ->	(2) ->	(2) ->
518 A	VALVE,SHUTOFF(1")(FR# 3,4,5,6,7,8)	(2) EP83CC301	(2) ->	(2) ->	(2) ->
518 B	VALVE,SHUTOFF(1/2")(FR# 1 & 2)	X	X	X	X
518 C	VALVE,SHUTOFF(1")(FR# 1 & 2)	X	X	X	X
519	FILTER,REFRIGERANT (OIL RECLAIM)	KH42ME060	->	->	->
520	"O" RING	KK71EW223	->	->	(2) ->
521	"O" RING	KK71EW223	->	->	->
522	VALVE,BALL (3/8")	(2) EP71BA121	(2) ->	(2) ->	(2) ->
523	SIGHTGLASS	AHI-1SS3	->	->	->
524 A	"O" RING,DRAIN (FR# 1,2,3,4 COND.)	X	X	X	X
524 B	"O" RING,DRAIN (FR# 5,6 COND.)	KK71EW243	->	->	X
524 C	"O" RING,DRAIN (FR# 7,8 COND.)	KK71EW262	->	->	->
525	GASKET,COND. DRAIN (FR# 5,6 COND.)	19XR55003301	->	->	X
Note: Used Prior To s/n 0197JXXXXX....After See Item 524B.					
526 A	VALVE,BALL(1") (VESSELS FR# 1,2,3,4)	X	X	X	X
526 B	VALVE,BALL(1.5")(VESSELS FR# 5,6,7,8)	EP71CQ422	->	->	->
527 A	VALVE,BALL(5/8") (VESSELS FR# 1 - 6)	(2) 900205	(2) EP71BA211	(2) ->	X
527 B	VALVE,BALL(7/8") (VESSELS FR# 7,8)	(2) 900307	(2) ->	(2) ->	(2) ->
528 A	DRIER,FILTER(5/8")(VESSELS FR# 1 - 6)	KH45LE120	->	->	X
528 B	DRIER,FILTER(7/8") (VESSELS FR# 7,8)	KH45LE171	->	->	->
Note: This Filter Drier Is Used With Sweated Joints. For Alternative See Item 528C.					
528 C	DRIER,FILTER(7/8") (7 & 8)(SEE NOTE)	19XR680047	->	->	->
Note: Used With Rotoloc Fittings. For First Time Installation 2 Item					



CENTRIFUGAL CHILLER
(INCLUDES 19XR & 19XRV
INFORMATION)

19XR

SIZE: 002 005
SERIES: 1

ITM	PART DESCRIPTION	19XR FR#4	19XR FR#4 (SRD)	19XR FR#4 (2002)	19XR FR#5
		COMPR. SIZE	COMPR. SIZE	COMPR. SIZE	COMPR. SIZE
MACHINE ARRANGEMENT & PIPING					
528D's Must Also Be Ordered.					
528 D	ROVALOC FITTING 7/8 (SEE NOTE)	(2) 02XR05005101	(2) ->	(2) ->	(2) ->
529 A	INDICATOR,MOISTURE(5/8")(FR# 1 - 6)	KM43BS062	->	->	X
529 B	INDICATOR,MOISTURE(7/8")(FR# 7,8)	P509-8SS7	->	->	->
530	CAP,SERVICE VALVE	(3) 99CC409372	(3) ->	(3) ->	(3) ->
531 A	VALVE,SERVICE (1/2") (LEVER TYPE)	(3) EP71CQ182	(3) ->	(3) ->	(3) ->
531 B	VALVE,SERVICE (1/2")	(3) EP71CZ182	(3) ->	(3) ->	(3) ->
532	VALVE,SCHRADER	(2) 06DA403844	(2) ->	(2) ->	(2) ->
533	GAUGE,PRESSURE	KM03AC256	->	->	->
534	ELL CONNECTOR (3/8 X 9/16-18)	02XB05000601	->	->	X
Includes: Item #535.					
535	"O" RING,CONNECTOR	KK71EW906	->	->	X
536 A	SCREEN,FLOAT VALVE(COND.FR# 1,2,3,4)	X	X	X	X
536 B	SCREEN,FLOAT VALVE(COND.FR# 5 & 6)	09XR04000401	09XR04005701	->	X
536 C	SCREEN,FLOAT VALVE(COND.FR# 7 & 8)	09XR04001101	->	->	->
537 A	VALVE ASY,FLOAT (COND.FRAME 1 & 2)	X	X	X	X
Includes: Items #538 - 539.					
537 B	VALVE ASY,FLOAT (COND.FRAME 3 & 4)	X	X	X	X
Includes: Items #538 - 539.					
537 C	VALVE ASY,FLOAT (COND.FRAME 5 & 6)	09XR04005303	->	->	X
Includes: Items #538 - 539.					
537 D	VALVE ASY,FLOAT (COND.FRAME 7 & 8)	09XR04005304	->	->	->
Includes: Items #538 - 539.					
538	RING,RETAINING	(3) AU45A2025	(3) ->	(3) ->	(3) ->
539 A	PIN,DRIVE (COND.FR 1-4)(PSN 3503Q)	X	X	X	X
539 B	SHAFT,FLOAT(COND.FR 1-4)(SSN 3503Q)	X	X	X	X
539 C	PIN,DRIVE (COND.FR 5&6)(PSN 3503Q)	09XR05001201	->	->	X
539 D	SHAFT,FLOAT(COND.FR 5&6)(SSN 3503Q)	09XR05013002	->	->	X
539 E	PIN,DRIVE (COND.FR 7&8)(PSN 3503Q)	09XR05003801	->	->	->
539 F	SHAFT,FLOAT(COND.FR 7&8)(SSN 3503Q)	09XR05013003	->	->	->
539 G	BEARING,FLOAT SHAFT (SSN 3503Q)	(2) 09XR05011301	(2) ->	(2) ->	(2) ->
539 H	SPACER (SSN 3503Q)	(2) 09XR05013201	(2) 09XR05013202	(2) ->	X
539 J	SPACER (SSN 3503Q) (FR 7&8 COND. 0	X	(2) 09XR05013203	(2) ->	(2) ->
540	WASHER,FLOAT VALVE	(3) AU04AV241	(3) ->	(3) ->	(3) ->
541 A	GASKET,FLOAT VALVE(COND.FR# 1,2,3,4)	X	X	X	X
541 B	GASKET,FLOAT VALVE(COND.FR# 5 & 6)	09XR05002001	->	->	X
542	"O" RING,FLOAT VALVE(COND.FR# 7 & 8)	KK71EW468	->	->	->
543	N STR. CONNECTOR (3/8 X 9/16-18)	02XB05000301	->	->	X
Includes: Item #544.					
544	N "O" RING,CONNECTOR	KK71EW906	->	->	X
545	ELL CONNECTOR (3/4 X 1-1/16-12)	X	X	X	X
Includes: Item #546.					
546	"O" RING,CONNECTOR	X	X	X	X
547	VALVE,BALL (FR# 3 & 4 VESSELS ONLY)	X	X	X	X
Note: Machines Built Prior To July 1999 May Need Piping Modification.					

PARTS LIST CATALOG

PARTS LIST PAGE: 052

CATALOG NO.: RCD-3519-061 REV. B
SUPERSEDES : RCD-3519-061 REV. A

NOTE: SEE "CATALOG NOTES" ON LAST PAGE FOR EXPLANATION OF SYMBOLISM.



CENTRIFUGAL CHILLER
(INCLUDES 19XR & 19XRV
INFORMATION)

19XR

SIZE: 002 005
SERIES: 1

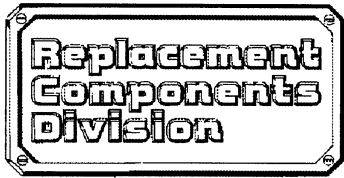
ITM	PART DESCRIPTION	19XR FR#4	19XR FR#4 (SRD)	19XR FR#4 (2002)	19XR FR#5
		COMPR. SIZE	COMPR. SIZE	COMPR. SIZE	COMPR. SIZE
MACHINE ARRANGEMENT & PIPING					
548	VALVE,BALL (FR# 1 & 2 VESSELS ONLY)	X	X	X	X
549 A	VALVE,BUTTERFLY (DISCH. ISOLATION)	ER39MZ861	X	X	ER39MZ890
	Note: Used On Machines Built Prior To Week 40,2000.				
549 B	VALVE,BUTTERFLY (DISCH. ISOLATION)	19XR05016406	->	->	19XR05016407
	Note: Used On Machines Built After Week 40,2000. (No Gaskets Required)				
550 A	VALVE,BUTTERFLY (COOLER ISOLATION)	ER38MZ601	X	X	X
	Note: Used On Machines Built Prior To Week 40,2000.				
550 B	VALVE,BUTTERFLY (COOLER ISOLATION)	19XR05016401	->	->	X
	Note: Used On Machines Built After Week 40,2000. (No Gaskets Required)				
550 C	O-RING KIT (3") (FOR 19XR05016401)	540003008	->	->	X
550 D	O-RING KIT (4") (FOR 19XR05016402)	540003011	->	->	X
550 E	O-RING KIT (5") (FOR 19XR05016403)	X	X	X	540003014
551 A	VALVE,BUTTERFLY (COOL. ISOL.) (FR#7)	ER38MZ711	X	X	ER38MZ711
	Note: Used On Machines Built Prior To Week 40,2000.				
551 B	VALVE,BUTTERFLY (COOL. ISOL.) (FR#7)	19XR05016402	->	->	->
	Note: Used On Machines Built After Week 40,2000. (No Gaskets Required)				
552 A	VALVE,BUTTERFLY (COOL. ISOL.) (FR#8)	X	X	X	ER38MZ801
	Note: Used On Machines Built Prior To Week 40,2000.				
552 B	VALVE,BUTTERFLY (COOL. ISOL.) (FR#8)	X	X	X	19XR05016403
	Note: Used On Machines Built After Week 40,2000. (No Gaskets Required)				
553	COOLER TUBE (SEE NOTE)	TUBE QUANTITY	->	->	->
	Note: To Obtain The Proper Tubes For Your Particular Machine Contact Your Carrier (RCD) Rep. You Must Provide Machine Serial No.				
553 A	COOLER TUBE QTY. (FR# 10,15)	X	X	X	X
553 B	COOLER TUBE QTY. (FR# 11,16)	X	X	X	X
553 C	COOLER TUBE QTY. (FR# 12,17)	X	X	X	X
553 D	COOLER TUBE QTY. (FR# 20,30,35)	X	X	X	X
553 E	COOLER TUBE QTY. (FR# 21,31,36)	X	X	X	X
553 F	COOLER TUBE QTY. (FR# 22,32,37)	X	X	X	X
553 G	COOLER TUBE QTY. (FR# 30,35)	X	X	X	X
553 H	COOLER TUBE QTY. (FR# 31,36)	X	X	X	X
553 I	COOLER TUBE QTY. (FR# 32,37)	X	X	X	X
553 J	COOLER TUBE QTY. (FR# 40,45)	X	X	X	X
553 K	COOLER TUBE QTY. (FR# 41,46)	X	X	X	X
553 L	COOLER TUBE QTY. (FR# 42,47)	X	X	X	X
553 M	COOLER TUBE QTY. (FR# 50,55)	431	->	->	X
553 N	COOLER TUBE QTY. (FR# 51,56)	485	->	->	X
553 O	COOLER TUBE QTY. (FR# 52,57)	519	->	->	X
553 P	COOLER TUBE QTY. (FR# 60,65)	557	->	->	X
553 Q	COOLER TUBE QTY. (FR# 61,66)	599	->	->	X
553 R	COOLER TUBE QTY. (FR# 62,67)	633	->	->	X
553 S	COOLER TUBE QTY. (FR# 70,75)	644	->	->	->
553 T	COOLER TUBE QTY. (FR# 71,76)	726	->	->	->
553 U	COOLER TUBE QTY. (FR# 72,77)	790	->	->	->
553 V	COOLER TUBE QTY. (FR# 80,85)	X	X	X	829

PARTS LIST CATALOG

PARTS LIST PAGE: 053

CATALOG NO.: RCD-3519-061 REV. B
SUPERSEDES : RCD-3519-061 REV. A

NOTE: SEE "CATALOG NOTES" ON LAST PAGE FOR EXPLANATION OF SYMBOLISM.



**CENTRIFUGAL CHILLER
(INCLUDES 19XR & 19XR
INFORMATION)**

19XR

SIZE: 002 005
SERIES: 1

ITM	PART DESCRIPTION	19XR FR#4	19XR FR#4 (SRD)	19XR FR#4 (2002)	19XR FR#5
		COMPR. SIZE	COMPR. SIZE	COMPR. SIZE	COMPR. SIZE
MACHINE ARRANGEMENT & PIPING					
553 W	COOLER TUBE QTY. (FR# 81,86)	X	X	X	901
553 X	COOLER TUBE QTY. (FR# 82,87)	X	X	X	976
554	CONDENSER TUBE (SEE NOTE)	TUBE QUANTITY	->	->	->
<p>Note: To Obtain The Proper Tubes For Your Particular Machine Contact Your Carrier (RCD) Rep. You Must Provide Machine Serial No.</p>					
554 A	CONDENSER TUBE QTY. (FR# 10,15)	X	X	X	X
554 B	CONDENSER TUBE QTY. (FR# 11,16)	X	X	X	X
554 C	CONDENSER TUBE QTY. (FR# 12,17)	X	X	X	X
554 D	CONDENSER TUBE QTY. (FR# 20,30,35)	X	X	X	X
554 E	CONDENSER TUBE QTY. (FR# 21,31,36)	X	X	X	X
554 F	CONDENSER TUBE QTY. (FR# 22,32,37)	X	X	X	X
554 G	CONDENSER TUBE QTY. (FR# 30,35)	X	X	X	X
554 H	CONDENSER TUBE QTY. (FR# 31,36)	X	X	X	X
554 I	CONDENSER TUBE QTY. (FR# 32,37)	X	X	X	X
554 J	CONDENSER TUBE QTY. (FR# 40,45)	X	X	X	X
554 K	CONDENSER TUBE QTY. (FR# 41,46)	X	X	X	X
554 L	CONDENSER TUBE QTY. (FR# 42,47)	X	X	X	X
554 M	CONDENSER TUBE QTY. (FR# 50,55)	507	->	->	X
554 N	CONDENSER TUBE QTY. (FR# 51,56)	556	->	->	X
554 O	CONDENSER TUBE QTY. (FR# 52,57)	602	->	->	X
554 P	CONDENSER TUBE QTY. (FR# 60,65)	648	->	->	X
554 Q	CONDENSER TUBE QTY. (FR# 61,66)	695	->	->	X
554 R	CONDENSER TUBE QTY. (FR# 62,67)	741	->	->	X
554 S	CONDENSER TUBE QTY. (FR# 70,75)	X	781	X	781
554 T	CONDENSER TUBE QTY. (FR# 71,76)	X	870	X	870
554 U	CONDENSER TUBE QTY. (FR# 72,77)	X	956	X	956
554 V	CONDENSER TUBE QTY. (FR# 80,85)	X	X	X	990
554 W	CONDENSER TUBE QTY. (FR# 81,86)	X	X	X	1080
554 X	CONDENSER TUBE QTY. (FR# 82,87)	X	X	X	1170
555 A	COOL. W/B GSKT. NIH 150 PSI (FR#1)	X	X	X	X
555 B	COOL. W/B GSKT. NIH 300 PSI (FR#1)	X	X	X	X
555 C	COOL. W/B GSKT. NIH 150 PSI (FR#2)	X	X	X	X
555 D	COOL. W/B GSKT. NIH 300 PSI (FR#2)	X	X	X	X
555 E	COOL. W/B GSKT. NIH 150 PSI (FR#3)	X	X	X	X
555 F	COOL. W/B GSKT. NIH 300 PSI (FR#3)	X	X	X	X
555 G	COOL. W/B GSKT. NIH 150 PSI (FR#4)	X	X	X	X
555 H	COOL. W/B GSKT. NIH 300 PSI (FR#4)	X	X	X	X
555 I	COOL. W/B GSKT. NIH 150 PSI (FR#5)	(2) 09XR55000801	(2) ->	(2) ->	X
555 J	COOL. W/B GSKT. NIH 300 PSI (FR#5)	(2) 09XR55001001	(2) ->	(2) ->	X
555 K	COOL. W/B GSKT. NIH 150 PSI (FR#6)	(2) 09XR65000801	(2) ->	(2) ->	X
555 L	COOL. W/B GSKT. NIH 300 PSI (FR#6)	(2) 09XR65001001	(2) ->	(2) ->	X
555 M	COOL. W/B GSKT. NIH 150 PSI (FR#7)	(2) 10XR75000401	(2) 10XR75000901	(2) 10XR75000401	(2) ->
555 N	COOL. W/B GSKT. NIH 300 PSI (FR#7)	(2) 10XR75000401	(2) 10XR75000901	(2) 10XR75000401	(2) ->
555 O	COOL. W/B GSKT. NIH 150 PSI (FR#8)	X	X	X	(2) 10XR85000601
555 P	COOL. W/B GSKT. NIH 300 PSI (FR#8)	X	X	X	(2) 10XR85000601



CENTRIFUGAL CHILLER
(INCLUDES 19XR & 19XRV
INFORMATION)

19XR

SIZE: 002 005
SERIES: 1

ITM	PART DESCRIPTION	19XR FR#4	19XR FR#4 (SRD)	19XR FR#4 (2002)	19XR FR#5
		COMPR. SIZE	COMPR. SIZE	COMPR. SIZE	COMPR. SIZE
MACHINE ARRANGEMENT & PIPING					
556 A	COND. W/B GSKT. NIH 150 PSI (FR#1)	X	X	X	X
556 B	COND. W/B GSKT. NIH 300 PSI (FR#1)	X	X	X	X
556 C	COND. W/B GSKT. NIH 150 PSI (FR#2)	X	X	X	X
556 D	COND. W/B GSKT. NIH 300 PSI (FR#2)	X	X	X	X
556 E	COND. W/B GSKT. NIH 150 PSI (FR#3)	X	X	X	X
556 F	COND. W/B GSKT. NIH 300 PSI (FR#3)	X	X	X	X
556 G	COND. W/B GSKT. NIH 150 PSI (FR#4)	X	X	X	X
556 H	COND. W/B GSKT. NIH 300 PSI (FR#4)	X	X	X	X
556 I	COND. W/B GSKT. NIH 150 PSI (FR#5)	(2) 09XR55000801	X	(2) 09XR55000801	X
556 J	COND. W/B GSKT. NIH 300 PSI (FR#5)	(2) 09XR55001001	X	(2) 09XR55001001	X
556 K	COND. W/B GSKT. NIH 150 PSI (FR#6)	(2) 09XR65000801	X	(2) 09XR65000801	X
556 L	COND. W/B GSKT. NIH 300 PSI (FR#6)	(2) 09XR65001001	X	(2) 09XR65001001	X
556 M	COND. W/B GSKT. NIH 150 PSI (FR#7)	(2) 09XR75000901	X	(2) 09XR75000901	(2) -->
556 N	COND. W/B GSKT. NIH 300 PSI (FR#7)	(2) 09XR75000901	X	(2) 09XR75000901	(2) -->
556 O	COND. W/B GSKT. NIH 150 PSI (FR#8)	X	X	X	(2) 09XR85000901
556 P	COND. W/B GSKT. NIH 300 PSI (FR#8)	X	X	X	(2) 09XR85000901
557	FRAME #2 COOL. MARINE W/B GSKT. ONLY	X	X	X	X
557 A	COOL. W/B GSKT. MARINE 150 PSI(FR#2)	X	X	X	X
	Note: Used On 1 And 3 Pass Frame #2 Coolers, Nozzle And		Blank End.		
557 B	COOL. W/B GSKT. MARINE 150 PSI(FR#2)	X	X	X	X
	Note: Used On 2 Pass Frame #2 Coolers, Nozzle End Only.				
557 C	COOL. W/B GSKT. MARINE 150 PSI(FR#2)	X	X	X	X
	Note: Used On 2 Pass Frame #2 Coolers, Blank End Only.				
557 D	COOL. W/B GSKT. MARINE 300 PSI(FR#2)	X	X	X	X
	Note: Used On 1 And 3 Pass Frame #2 Coolers, Nozzle And		Blank End.		
557 E	COOL. W/B GSKT. MARINE 300 PSI(FR#2)	X	X	X	X
	Note: Used On 2 Pass Frame #2 Coolers, Nozzle End Only.				
557 F	COOL. W/B GSKT. MARINE 300 PSI(FR#2)	X	X	X	X
	Note: Used On 2 Pass Frame #2 Coolers, Blank End Only.				
557 G	FRAME #3 COOL. MARINE W/B GSKT. ONLY	X	X	X	X
557 H	COOL. W/B GSKT. MARINE 150 PSI(FR#3)	X	X	X	X
	Note: Used On 1 And 3 Pass Frame #3 Coolers, Nozzle And		Blank End.		
557 I	COOL. W/B GSKT. MARINE 150 PSI(FR#3)	X	X	X	X
	Note: Used On 2 Pass Frame #3 Coolers, Nozzle End Only.				
557 J	COOL. W/B GSKT. MARINE 150 PSI(FR#3)	X	X	X	X
	Note: Used On 2 Pass Frame #3 Coolers, Blank End Only.				
557 K	COOL. W/B GSKT. MARINE 300 PSI(FR#3)	X	X	X	X
	Note: Used On 1 And 3 Pass Frame #3 Coolers, Nozzle And		Blank End.		
557 L	COOL. W/B GSKT. MARINE 300 PSI(FR#3)	X	X	X	X
	Note: Used On 2 Pass Frame #3 Coolers, Nozzle End Only.				
557 M	COOL. W/B GSKT. MARINE 300 PSI(FR#3)	X	X	X	X
	Note: Used On 2 Pass Frame #3 Coolers, Blank End Only.				
557 N	COOL. W/B GSKT. MARINE 150 PSI(FR#4)	X	X	X	X
557 O	COOL. W/B GSKT. MARINE 300 PSI(FR#4)	X	X	X	X
557 P	COOL. W/B GSKT. MARINE 150 PSI(FR#5)	(2) 09XR55000801	(2) -->	(2) -->	X

PARTS LIST CATALOG

PARTS LIST PAGE: 055

CATALOG NO.: RCD-3519-061 REV. B
SUPERSEDES : RCD-3519-061 REV. A

NOTE: SEE "CATALOG NOTES" ON LAST PAGE FOR EXPLANATION OF SYMBOLISM.



CENTRIFUGAL CHILLER
(INCLUDES 19XR & 19XRV
INFORMATION)

19XR

SIZE: 002 005
SERIES: 1

ITM	PART DESCRIPTION	19XR FR#4	19XR FR#4 (SRD)	19XR FR#4 (2002)	19XR FR#5
		COMPR. SIZE	COMPR. SIZE	COMPR. SIZE	COMPR. SIZE
MACHINE ARRANGEMENT & PIPING					
557 Q	COOL. W/B GSKT. MARINE 300 PSI(FR#5)	(2) 09XR55001001	(2) ->	(2) ->	X
557 R	COOL. W/B GSKT. MARINE 150 PSI(FR#6)	(2) 09XR65000801	(2) ->	(2) ->	X
557 S	COOL. W/B GSKT. MARINE 300 PSI(FR#6)	(2) 09XR65001001	(2) ->	(2) ->	X
557 T	COOL. W/B GSKT. MARINE 150 PSI(FR#7)	(2) 10XR75000401	(2) ->	(2) ->	(2) ->
557 U	COOL. W/B GSKT. MARINE 300 PSI(FR#7)	(2) 10XR75000401	(2) ->	(2) ->	(2) ->
557 V	COOL. W/B GSKT. MARINE 150 PSI(FR#8)	X	X	X	(2) 10XR85000601
557 W	COOL. W/B GSKT. MARINE 300 PSI(FR#8)	X	X	X	(2) 10XR85000601
558	FRAME #2 COND. MARINE W/B GSKT. ONLY	X	X	X	X
558 A	COND. W/B GSKT. MARINE 150 PSI(FR#2)	X	X	X	X
	Note: Used On 2 Pass Frame #2 Condensers, Nozzle End Only.				
558 B	COND. W/B GSKT. MARINE 150 PSI(FR#2)	X	X	X	X
	Note: Used On 2 Pass Frame #2 Condensers, Blank End Only.				
558 C	COND. W/B GSKT. MARINE 300 PSI(FR#2)	X	X	X	X
	Note: Used On 2 Pass Frame #2 Condensers, Nozzle End Only.				
558 D	COND. W/B GSKT. MARINE 300 PSI(FR#2)	X	X	X	X
	Note: Used On 2 Pass Frame #2 Condensers, Blank End Only.				
558 E	FRAME #3 COND. MARINE W/B GSKT. ONLY	X	X	X	X
558 F	COND. W/B GSKT. MARINE 150 PSI(FR#3)	X	X	X	X
	Note: Used On 2 Pass Frame #3 Condensers, Nozzle End Only.				
558 G	COND. W/B GSKT. MARINE 150 PSI(FR#3)	X	X	X	X
	Note: Used On 2 Pass Frame #3 Condensers, Blank End Only.				
558 H	COND. W/B GSKT. MARINE 300 PSI(FR#3)	X	X	X	X
	Note: Used On 2 Pass Frame #3 Condensers, Nozzle End Only.				
558 I	COND. W/B GSKT. MARINE 300 PSI(FR#3)	X	X	X	X
	Note: Used On 2 Pass Frame #3 Condensers, Blank End Only.				
558 J	COND. W/B GSKT. MARINE 150 PSI(FR#4)	X	X	X	X
558 K	COND. W/B GSKT. MARINE 300 PSI(FR#4)	X	X	X	X
558 L	COND. W/B GSKT. MARINE 150 PSI(FR#5)	(2) 09XR55000801	X	(2) 09XR55000801	X
558 M	COND. W/B GSKT. MARINE 300 PSI(FR#5)	(2) 09XR55001001	(2) 09XR55000801	(2) 09XR55001001	X
558 N	COND. W/B GSKT. MARINE 150 PSI(FR#6)	(2) 09XR65000801	(2) ->	(2) ->	X
558 O	COND. W/B GSKT. MARINE 300 PSI(FR#6)	(2) 09XR65001001	(2) ->	(2) ->	X
558 P	COND. W/B GSKT. MARINE 150 PSI(FR#7)	(2) 09XR75000901	(2) 10XR75000901	(2) 09XR75000901	(2) ->
558 Q	COND. W/B GSKT. MARINE 300 PSI(FR#7)	(2) 09XR75000901	(2) 10XR75000901	(2) 09XR75000901	(2) ->
558 R	COND. W/B GSKT. MARINE 150 PSI(FR#8)	X	X	X	(2) 09XR85000901
558 S	COND. W/B GSKT. MARINE 300 PSI(FR#8)	X	X	X	(2) 09XR85000901
559	GASKET, DIVISION PLATE (25" ROLL)	19XB680001	->	->	->
560	FRAME #4 COOL. MARINE W/B & DISHED H	X	X	X	X
560 A	COOL. HEAD GSKT. MARINE W/B END (FR#	X	X	X	X
	Note: Used On Frame #4 Coolers, Marine W/B End Only.				
560 B	COOL. HEAD GSKT. DISHED HEAD END (FR	X	X	X	X
	Note: Used On Frame #4 Coolers, Dished Head End Only.				
561	FRAME #4 COOL. DISHED HEADS BOTH END	X	X	X	X
561 A	COOL. HEAD GSKT. DISHED HEAD ENDS (F	X	X	X	X
	Note: Used On Frame #4 Coolers, Both Dished Head Ends.				
562	FRAME #5 COOL. MARINE W/B & DISHED H	SEE NOTES FOR USAGE	->	->	X

PARTS LIST CATALOG

PARTS LIST PAGE: 056

CATALOG NO.: RCD-3519-061 REV. B
SUPERSEDES : RCD-3519-061 REV. A

NOTE: SEE "CATALOG NOTES" ON LAST PAGE FOR EXPLANATION OF SYMBOLISM.



CENTRIFUGAL CHILLER
(INCLUDES 19XR & 19XR
INFORMATION)

19XR

SIZE: 002 005
SERIES: 1

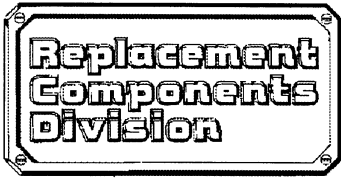
ITM	PART DESCRIPTION	19XR FR#4	19XR FR#4 (SRD)	19XR FR#4 (2002)	19XR FR#5
		COMPR. SIZE	COMPR. SIZE	COMPR. SIZE	COMPR. SIZE
MACHINE ARRANGEMENT & PIPING					
562 A	COOL. HEAD GSKT. MARINE W/B END (FR# Note: Used On Frame #5 Coolers, Marine W/B End Only.	09XR5500801	->	->	X
562 B	COOL. HEAD GSKT. DISHED HEAD END (FR Note: Used On Frame #5 Coolers, Dished Head End Only.	09XR05007002	->	->	X
563	FRAME #5 COOL. DISHED HEADS BOTH END	SEE NOTES FOR USAGE	->	->	X
563 A	COOL. HEAD GSKT. DISHED HEAD ENDS (F Note: Used On Frame #5 Coolers, Both Dished Head Ends.	(2) 09XR05007002	(2) ->	(2) ->	X
564	FRAME #6 COOL. MARINE W/B & DISHED H	SEE NOTES FOR USAGE	->	->	X
564 A	COOL. HEAD GSKT. MARINE W/B END (FR# Note: Used On Frame #6 Coolers, Marine W/B End Only.	09XR6500801	->	->	X
564 B	COOL. HEAD GSKT. DISHED HEAD END (FR Note: Used On Frame #6 Coolers, Dished Head End Only.	09XR05007003	->	->	X
565	FRAME #6 COOL. DISHED HEADS BOTH END	SEE NOTES FOR USAGE	->	->	X
565 A	COOL. HEAD GSKT. DISHED HEAD ENDS (F Note: Used On Frame #6 Coolers, Both Dished Head Ends.	(2) 09XR05007003	(2) ->	(2) ->	X
566	FRAME #7 COOL. MARINE W/B & DISHED H	SEE NOTES FOR USAGE	->	->	->
566 A	COOL. HEAD GSKT. MARINE W/B END (FR# Note: Used On Frame #7 Coolers, Marine W/B End Only.	09XR75000401	->	->	->
566 B	COOL. HEAD GSKT. DISHED HEAD END (FR Note: Used On Frame #7 Coolers, Dished Head End Only.	09XR05007004	->	->	->
567	FRAME #7 COOL. DISHED HEADS BOTH END	SEE NOTES FOR USAGE	->	->	->
567 A	COOL. HEAD GSKT. DISHED HEAD ENDS (F Note: Used On Frame #7 Coolers, Both Dished Head Ends.	(2) 09XR05007004	(2) ->	(2) ->	(2) ->
568	FRAME #8 COOL. MARINE W/B & DISHED H	X	X	X	SEE NOTES FOR USAGE
568 A	COOL. HEAD GSKT. MARINE W/B END (FR# Note: Used On Frame #8 Coolers, Marine W/B End Only.	X	X	X	10XR85000901
568 B	COOL. HEAD GSKT. DISHED HEAD END (FR Note: Used On Frame #8 Coolers, Dished Head End Only.	X	X	X	09XR05007005
569	FRAME #8 COOL. DISHED HEADS BOTH END	X	X	X	SEE NOTES FOR USAGE
569 A	COOL. HEAD GSKT. DISHED HEAD ENDS (F Note: Used On Frame #8 Coolers, Both Dished Head Ends.	X	X	X	(2) 09XR05007005
570	FRAME #4 COND. MARINE W/TI TUBE SHT	X	X	X	X
570 A	COND. HEAD GSKT. MARINE END (FR#4) Note: Used On Frame #4 Condensers, Marine W/B Head Only.	X	X	X	X
570 B	COND. HEAD GSKT. MARINE END (FR#4) Note: Used On Frame #4 Condensers, Marine W/B To Mach. Connection Only.	X	X	X	X
570 C	COND. HEAD GSKT. DISHED END (FR#4) Note: Used On Frame #4 Condensers, Dished Head End Only.	X	X	X	X
571	FRAME #4 COND. MARINE W/B	X	X	X	X
571 A	COND. HEAD GSKT. MARINE W/B END (FR# Note: Used On Frame #4 Condensers, Marine W/B End Only.	X	X	X	X
571 B	COND. HEAD GSKT. DISHED HEAD END (FR Note: Used On Frame #4 Condensers, Dished Head End Only.	X	X	X	X
572	FRAME #4 COND. DISHED HEADS	X	X	X	X
572 A	COND. HEAD GSKT. DISHED HEADS (FR#4)	X	X	X	X

PARTS LIST CATALOG

PARTS LIST PAGE: 057

CATALOG NO.: RCD-3519-061 REV. B
SUPERSEDES : RCD-3519-061 REV. A

NOTE: SEE "CATALOG NOTES" ON LAST PAGE FOR EXPLANATION OF SYMBOLISM.



CENTRIFUGAL CHILLER
(INCLUDES 19XR & 19XR
INFORMATION)

19XR

SIZE: 002 005
SERIES: 1

ITM	PART DESCRIPTION	19XR FR#4	19XR FR#4 (SRD)	19XR FR#4 (2002)	19XR FR#5
		COMPR. SIZE	COMPR. SIZE	COMPR. SIZE	COMPR. SIZE
MACHINE ARRANGEMENT & PIPING					
	Note: Used On Frame #4 Condensers, Both Dished Head Ends.				
573	FRAME #5 COND. MARINE W/TI TUBE SHT	SEE NOTES FOR USAGE	->	->	X
573 A	COND. HEAD GSKT. MARINE END (FR#5)	09XR55000801	->	->	X
	Note: Used On Frame #5 Condensers, Marine W/B Head Only.				
573 B	COND. HEAD GSKT. MARINE END (FR#5)	09XR55001601	->	->	X
	Note: Used On Frame #5 Condensers, Marine W/B To Mach. Connection Only.				
573 C	COND. HEAD GSKT. DISHED END (FR#5)	09XR05007002	->	->	X
	Note: Used On Frame #5 Condensers, Dished Head End Only.				
574	FRAME #5 COND. MARINE W/B	SEE NOTES FOR USAGE	->	->	X
574 A	COND. HEAD GSKT. MARINE W/B END (FR#)	09XR55000801	->	->	X
	Note: Used On Frame #5 Condensers, Marine W/B End Only.				
574 B	COND. HEAD GSKT. DISHED HEAD END (FR#)	09XR05007002	->	->	X
	Note: Used On Frame #5 Condensers, Dished Head End Only.				
575	FRAME #5 COND. DISHED HEADS	SEE NOTES FOR USAGE	->	->	X
575 A	COND. HEAD GSKT. DISHED HEADS (FR#5)	(2) 09XR05007002	(2) ->	(2) ->	X
	Note: Used On Frame #5 Condensers, Both Dished Head Ends.				
576	FRAME #6 COND. MARINE W/TI TUBE SHT	SEE NOTES FOR USAGE	->	->	X
576 A	COND. HEAD GSKT. MARINE END (FR#6)	09XR65000801	->	->	X
	Note: Used On Frame #6 Condensers, Marine W/B Head Only.				
576 B	COND. HEAD GSKT. MARINE END (FR#6)	09XR65001601	->	->	X
	Note: Used On Frame #6 Condensers, Marine W/B To Mach. Connection Only.				
576 C	COND. HEAD GSKT. DISHED END (FR#6)	09XR05007003	->	->	X
	Note: Used On Frame #6 Condensers, Dished Head End Only.				
577	FRAME #6 COND. MARINE W/B	SEE NOTES FOR USAGE	->	->	X
577 A	COND. HEAD GSKT. MARINE W/B END (FR#)	09XR65000801	->	->	X
	Note: Used On Frame #6 Condensers, Marine W/B End Only.				
577 B	COND. HEAD GSKT. DISHED HEAD END (FR#)	09XR05007003	->	->	X
	Note: Used On Frame #6 Condensers, Dished Head End Only.				
578	FRAME #6 COND. DISHED HEADS	SEE NOTES FOR USAGE	->	->	X
578 A	COND. HEAD GSKT. DISHED HEADS (FR#6)	(2) 09XR05007003	(2) ->	(2) ->	X
	Note: Used On Frame #6 Condensers, Both Dished Head Ends.				
579	FRAME #7 COND. MARINE W/TI TUBE SHT	SEE NOTES FOR USAGE	->	->	->
579 A	COND. HEAD GSKT. MARINE END (FR#7)	09XR75001901	->	->	->
	Note: Used On Frame #7 Condensers, Marine W/B Head Only.				
579 B	COND. HEAD GSKT. MARINE END (FR#7)	09XR75001901	->	->	->
	Note: Used On Frame #7 Condensers, Marine W/B To Mach. Connection Only.				
579 C	COND. HEAD GSKT. DISHED END (FR#7)	09XR05007004	->	->	->
	Note: Used On Frame #7 Condensers, Dished Head End Only.				
580	FRAME #7 COND. MARINE W/B	SEE NOTES FOR USAGE	->	->	->
580 A	COND. HEAD GSKT. MARINE W/B END (FR#)	09XR75000901	->	->	->
	Note: Used On Frame #7 Condensers, Marine W/B End Only.				
580 B	COND. HEAD GSKT. DISHED HEAD END (FR#)	09XR05007004	->	->	->
	Note: Used On Frame #7 Condensers, Dished Head End Only.				
581	FRAME #7 COND. DISHED HEADS	SEE NOTES FOR USAGE	->	->	->
581 A	COND. HEAD GSKT. DISHED HEADS (FR#7)	(2) 09XR05007004	(2) ->	(2) ->	(2) ->

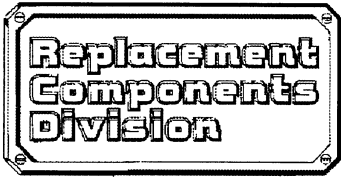


**CENTRIFUGAL CHILLER
(INCLUDES 19XR & 19XRV
INFORMATION)**

19XR

SIZE: 002 005
SERIES: 1

ITM	PART DESCRIPTION	19XR FR#4	19XR FR#4 (SRD)	19XR FR#4 (2002)	19XR FR#5
		COMPR. SIZE	COMPR. SIZE	COMPR. SIZE	COMPR. SIZE
MACHINE ARRANGEMENT & PIPING					
Note: Used On Frame #7 Condensers, Marine W/B End Only.					
582	FRAME #8 COND. MARINE W/TI TUBE SHT	X	X	X	SEE NOTES FOR USAGE
582 A	COND. HEAD GSKT. MARINE END (FR#8)	X	X	X	09XR85002001
Note: Used On Frame #8 Condensers, Marine W/B Head Only.					
582 B	COND. HEAD GSKT. MARINE END (FR#8)	X	X	X	09XR85002001
Note: Used On Frame #8 Condensers, Marine W/B To Mach. Connection Only.					
582 C	COND. HEAD GSKT. DISHED END (FR#8)	X	X	X	09XR05007005
Note: Used On Frame #8 Condensers, Dished Head End Only.					
583	FRAME #8 COND. MARINE W/B	X	X	X	SEE NOTES FOR USAGE
583 A	COND. HEAD GSKT. MARINE W/B END (FR#)	X	X	X	09XR85000901
Note: Used On Frame #8 Condensers, Marine W/B End Only.					
583 B	COND. HEAD GSKT. DISHED HEAD END (FR	X	X	X	09XR05007005
Note: Used On Frame #8 Condensers, Dished Head End Only.					
584	FRAME #8 COND. DISHED HEADS	X	X	X	SEE NOTES FOR USAGE
584 A	COND. HEAD GSKT. DISHED HEADS (FR#8)	X	X	X	09XR05007005
Note: Used On Frame #8 Condensers, Both Dished Head Ends.					
585	FRAME #4 COND. W/BOLTED ON HEADS	X	X	X	X
585 A	COND. W/B GSKT. W/BOLTED HEADS (FR#4	X	X	X	X
Note: Used On Frame #4 Condensers, Marine W/B Cover Only.					
585 B	COND. W/B GSKT. W/BOLTED HEADS (FR#4	X	X	X	X
Note: Used On Frame #4 Condensers, Marine W/B To Machine Connection, Blank End To Machine Connection And Blank End Cover.					
586	FRAME #5 COND. W/BOLTED ON HEADS	SEE NOTES FOR USAGE	->	->	X
586 A	COND. W/B GSKT. W/BOLTED HEADS (FR#5	09XR55000801	->	->	X
Note: Used On Frame #5 Condensers, Marine W/B Cover Only.					
586 B	COND. W/B GSKT. W/BOLTED HEADS (FR#5	(3) 09XR55001601	(3) ->	(3) ->	X
Note: Used On Frame #5 Condensers, Marine W/B To Machine Connection, Blank End To Machine Connection And Blank End Cover.					
587	FRAME #6 COND. W/BOLTED ON HEADS	SEE NOTES FOR USAGE	->	->	X
587 A	COND. W/B GSKT. W/BOLTED HEADS (FR#6	09XR65000801	->	->	X
Note: Used On Frame #6 Condensers, Marine W/B Cover Only.					
587 B	COND. W/B GSKT. W/BOLTED HEADS (FR#6	(3) 09XR65001601	(3) ->	(3) ->	X
Note: Used On Frame #6 Condensers, Marine W/B To Machine Connection, Blank End To Machine Connection And Blank End Cover.					
HOT GAS BYPASS					
588	VALVE, SOLENOID (FR# 1,2,3,4,5,6 COND	EF28BS451	->	->	X
589	REBUILD KIT, SOLENOID VALVE ITEM# 588	KS-E42	->	->	X
590	VALVE, SOLENOID (FR#7,8 COND. ONLY)	19XR74003401	->	->	->
591 A	PILOT RELAY (FR# 1,2,3,4,5,6, COND.)	HN61KK224	->	->	->
591 B	PILOT RELAY (FR# 7,8 COND. ONLY)	HN61KQ120	->	->	->
592	VALVE, BALL (1-5/8")	EP71BA451	EP71BA471	->	X
592 A	O-RING (HGBP LINE)	X	KK71EW229	->	X



CENTRIFUGAL CHILLER
(INCLUDES 19XR & 19XR
INFORMATION)

19XR

SIZE: 002 005
SERIES: 1

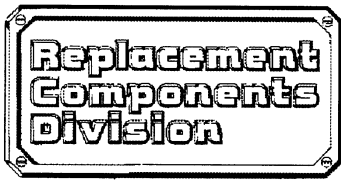
ITM	PART DESCRIPTION	19XR FR#4	19XR FR#4 (SRD)	19XR FR#4 (2002)	19XR FR#5
		COMPR. SIZE	COMPR. SIZE	COMPR. SIZE	COMPR. SIZE
PUMPDOWN ASSEMBLY					
640 A	PUMPDOWN ASSEMBLY (208-3-60)	19EA411113	->	->	->
640 B	PUMPDOWN ASSEMBLY (230-3-60)	19EA421113	->	->	->
640 C	PUMPDOWN ASSEMBLY (400/460-3-50/60)	19EA431113	->	->	->
640 D	PUMPDOWN ASSEMBLY (575-3-60)	19EA461113	->	->	->
641 A	COMPRESSOR ASY (208/230-3-60)	06DM8086GC3250	->	->	->
641 B	COMPRESSOR ASY (400/460-3-50/60)	06DM8086GC3650	->	->	->
641 C	COMPRESSOR ASY (575-3-60)	06DM8086GC3150	->	->	->
642	N GASKET SET	6D43172	->	->	->
643	N VALVE PLATE PACKAGE (1-13/16" BORE)	NO LONGER AVAILABLE	->	->	->
	Includes: Items #644 - 650.				
644	N VALVE PLATE ASY	NO LONGER AVAILABLE	->	->	->
645	N DISCHARGE VALVE	(2) 6D751062	(2) ->	(2) ->	(2) ->
646	N DISCHARGE VALVE STOP	(2) 6D751072	(2) ->	(2) ->	(2) ->
647	N SUCTION VALVE SPRING	(2) 6D401021	(2) ->	(2) ->	(2) ->
648	N SUCTION VALVE	(2) 6D451072	(2) ->	(2) ->	(2) ->
649	N GASKET,VALVE PLATE	6D401073	->	->	->
650	N GASKET,CYLINDER HEAD	05GA502213	->	->	->
651	VALVE PLATE PACKAGE (2" BORE)	06DA660120	->	->	->
	Includes: Items 652 - 660.				
652	VALVE PLATE ASY.	06DA404674	->	->	->
653	GASKET,VALVE PLATE	05DA500153	->	->	->
654	GASKET,CYLINDER HEAD (PLAIN)	05GA502213	->	->	->
655	GASKET,CYLINDER HEAD (S.C.O.U.)	05GA502223	->	->	->
656	SUCTION VALVE	(2) 06DA502903	(2) ->	(2) ->	(2) ->
657	SPRING,SUCTION VALVE POSITIONING	(2) 6D401021	(2) ->	(2) ->	(2) ->
658	GASKET,CYLINDER HEAD (CENTER BAN	05GA502173	->	->	->
659	GASKET,VALVE PLATE (LESS I PORT)	06DA502923	->	->	->
660	DOWEL PIN	7J16032	->	->	->
661	N PISTON & PIN PACKAGE	(2) 6D68962	(2) ->	(2) ->	(2) ->
662	N ECCENTRIC STRAP	(2) 5D401372	(2) ->	(2) ->	(2) ->
663	N COMPRESSION RING	(2) AU50CP355	(2) ->	(2) ->	(2) ->
664	N BEARING HEAD ASY	06DA660060	->	->	->
665	N OIL FILTER ASY	6D40103	->	->	->
666	SERVICE VALVE PKG. (SUCTION)	5F20660002	->	->	->
	Includes: Item #667.				
667	GASKET,SUCTION VALVE	6D231421	->	->	->
668	SERVICE VALVE PKG. (DISCHARGE)	06DA660060	->	->	->
	Includes: Item #669.				
669	GASKET,DISCHARGE VALVE	6D231421	->	->	->
670	CONDENSER ASY	19EA41531	->	->	->
	Includes: Items #671 - 672.				
671	TRY COCK ASY	7F0132	->	->	->
672	VALVE,LIQUID	EP12BH211	->	->	->
673	COMPR.OVERLOAD(30A)(FURNAS-MAN RESET	HN68JX003	->	->	->
674 A	OVERLOAD HEATER (208V)	(3) HN71JC050	(3) ->	(3) ->	(3) ->

PARTS LIST CATALOG

PARTS LIST PAGE: 060

CATALOG NO.: RCD-3519-061 REV. B
SUPERSEDES : RCD-3519-061 REV. A

NOTE: SEE "CATALOG NOTES" ON LAST PAGE FOR EXPLANATION OF SYMBOLISM.



CENTRIFUGAL CHILLER
(INCLUDES 19XR & 19XRV
INFORMATION)

19XR

SIZE: 002 005
SERIES: 1

ITM	PART DESCRIPTION	19XR FR#4	19XR FR#4 (SRD)	19XR FR#4 (2002)	19XR FR#5
		COMPR. SIZE	COMPR. SIZE	COMPR. SIZE	COMPR. SIZE
PUMPDOWN ASSEMBLY					
674 B	OVERLOAD HEATER (230V)	(3) HN71JC049	(3) ->	(3) ->	(3) ->
674 C	OVERLOAD HEATER (460V)	(3) HN71JC036	(3) ->	(3) ->	(3) ->
674 D	OVERLOAD HEATER (575V)	(3) HN71JC031	(3) ->	(3) ->	(3) ->
675	CONTROL BOX COVER	07DA500002	->	->	->
676	CONTROL BOX ASSEMBLY	19EA41588	->	->	->
	Includes: Items #677 - 683.				
677	TERMINAL BLOCK	HY84EG017	->	->	->
678	CONTACTOR	HN53CD115	->	->	->
679	PRESSURE STAT	HK01UA181	->	->	->
680	SWITCH, TOGGLE	HR53ZA035	->	->	->
681	FUSE HOLDER	HKP-HH	->	->	->
682	FUSE (3 AMP)	AGC3	->	->	->
683	GROMMET	KA56XM040	->	->	->
684	SAFETY HEAD	EB51LR385	->	->	->
685	OIL SEPERATOR	KH31LZ008	->	->	->
686	GASKET, OIL SEPERATOR	KY31LY003LA	->	->	->
687	VALVE, DIAPHRAGM (1/2")	(4) A-14841	(4) ->	(4) ->	(4) ->
688	VALVE, ANGLE	EP23LA211	->	->	->
689	GASKET, CAPSCREW (5/16")	(4) AU51YA003	(4) ->	(4) ->	(4) ->
690	GASKET, FLARE (1/2")	DD24FA151	->	->	->
691	SPRING, COMPRESSOR MOUNTING	(4) 50K21231	(4) ->	(4) ->	(4) ->
692	SPRING CUP, COMPRESSOR MOUNTING	(4) 50K41221	(4) ->	(4) ->	(4) ->
700 A	PUMPOUT ASSEMBLY (208/230-3-50/60)	19XR04026501	->	->	->
700 B	PUMPOUT ASSEMBLY (460-3-60)	19XR04026502	->	->	->
700 C	PUMPOUT ASSEMBLY (400-3-50)	19XR04026503	->	->	->
701	COUPLING (1/2 MFL X 1/2 ODS)	(2) DE08DA202	(2) ->	(2) ->	(2) ->
702	VALVE, DIAPHRAGM (5/8 ODS)	(4) EP10BA211	(4) ->	(4) ->	(4) ->
703	NUT, FLARE (1/4)	(2) DD02CA051	(2) ->	(2) ->	(2) ->
704	ADAPTOR (5/8 ODF X 3/8 INT FPT)	DE06DA204	->	->	->
705	VALVE, RELIEF (3/8)	EB51LZ188	->	->	->
706	VALVE, CHECK (5/8)	EC31EZ212	->	->	->
707 A	CONTROL PANEL (208/230-3-50/60)	19XR04028201	->	->	->
707 B	CONTROL PANEL (460-3-60)	19XR04028202	->	->	->
707 C	CONTROL PANEL (400-3-50)	19XR04028203	->	->	->
708	SWITCH, HIGH PRESSURE	19XR05029201	->	->	->
709	SWITCH, VACUUM	19XR05018801	->	->	->
710	CONTACTOR	HN53CC115	->	->	->
711 A	FUSE, PRIMARY (230V)(FU1 & FU2)	(2) KLDL 1/2	(2) ->	(2) ->	(2) ->
711 B	FUSE, PRIMARY (460V)(FU1 & FU2)	(2) KLDL 1/4	(2) ->	(2) ->	(2) ->
711 C	FUSE, PRIMARY (400V)(FU1 & FU2)	(2) KLDL 4/10	(2) ->	(2) ->	(2) ->
712	FUSE (FU3)	KLDL 1/2	->	->	->
713	BLOCK, TERMINAL (TB)	(6) 115188.11	(6) ->	(6) ->	(6) ->
714 A	SWITCH, SELECTOR (ON/OFF)(SS1)	M3SS4-10B	->	->	->
	Note: holder item number 714b should also be ordered.				
714 B	HOLDER, SWITCH	MCBH-00	->	->	->

PARTS LIST CATALOG

PARTS LIST PAGE: 061

CATALOG NO.: RCD-3519-061 REV. B
SUPERSEDES: RCD-3519-061 REV. A

NOTE: SEE "CATALOG NOTES" ON LAST PAGE FOR EXPLANATION OF SYMBOLISM.



**CENTRIFUGAL CHILLER
(INCLUDES 19XR & 19XRV
INFORMATION)**

19XR

SIZE: 002 005
SERIES: 1

ITM	PART DESCRIPTION	19XR FR#4	19XR FR#4 (SRD)	19XR FR#4 (2002)	19XR FR#5
		COMPR. SIZE	COMPR. SIZE	COMPR. SIZE	COMPR. SIZE
PUMPDOWN ASSEMBLY					
715	BLOCK, CONTACT (SS1)	(2) CBK-CB10	(2) ->	(2) ->	(2) ->
716	HOLDER, FUSE (FU1, FU2, FU3)	(3) 0307220 14	(3) ->	(3) ->	(3) ->
717 A	TRANSFORMER (230/460V)(XFMR)	1497-A-BASK-0-N	->	->	->
717 B	TRANSFORMER (380/400/415)(XFMR)	1497-A-M4-0-N	->	->	->
718	SEPARATOR, OIL	19XR05016701	->	->	->
719	CONDENSER	19XR05020901	->	->	->
720 A	COMPRESSOR (200/230V)	CS27K6E-TFS-970	->	->	->
720 B	COMPRESSOR (380/420/460)	CS27K6E-TFD-970	->	->	->
721	CRANKCASE HEATER (200/600V)	P041-4131	->	->	->
722	NUT, FLARE (1/2)(PUMPOUT TO CLR&COND)	(4) DD01CA201	(4) ->	(4) ->	(4) ->
723	COUPLING (1/2)(PUMPOUT TO CLR&COND)	(4) DD07DA201	(4) ->	(4) ->	(4) ->
CONTROL PANEL/ VAR. FREQ. DRIVE (VFD)					
800	VARI. FREQ. DRIVE (VFD)(LIQUID-FLO I	(LIQUID-FLO I)	->	->	->
	Liquid-Flo I VFD's order number on data plate start with "19XVR".				
801	RUN TEST SWITCH	111-16-73-XN	->	->	->
802 A	BREAKER (414 AMPS)	19XV05004901	->	->	->
	Liquid-Flo I VFD's with a 19XVR0414XXX code number. See data plate.				
802 B	BREAKER (500 AMPS)	19XV05004902	->	->	->
	Liquid-Flo I VFD's with a 19XVR0500XXX code number. See data plate.				
802 C	BREAKER (643 AMPS)	X	X	X	X
	Liquid-Flo I VFD's with a 19XVR0643XXX code number. See data plate.				
803 A	MODULE, DRIVE (414 AMPS)	RX-41LR4060	->	->	->
	Liquid-Flo I VFD's with a 19XVR0414XXX code number. See data plate.				
803 B	MODULE, DRIVE (500 AMPS)	RX-50LR4060	->	->	->
	Liquid-Flo I VFD's with a 19XVR0500XXX code number. See data plate.				
803 C	MODULE, DRIVE (643 AMPS)	RX-64LR4060	->	->	->
	Liquid-Flo I VFD's with a 19XVR0643XXX code number. See data plate.				
804	REGULATOR CARD	179116	->	->	->
805	REMOTE METER INTERFACE CARD	2SI3000	->	->	->
806 A	POWER MOD. CONTROL CARD (414 AMP	179170	->	->	->
806 B	POWER MOD. CONTROL CARD (500 AMP	179134	->	->	->
806 C	POWER MOD. CONTROL CARD (643 AMP	179067	->	->	->
807	BUS CONTROL CARD	179069	->	->	->
808	SNUBBER RESISTOR KIT	RC-SNUBBER-C	->	->	->
809 A	TRANSFORMER, CURRENT (414 AMPS)	(3) 19XV05005201	(3) ->	(3) ->	(3) ->
	Liquid-Flo I VFD's with a 19XVR0414XXX code number. See data plate.				
809 B	TRANSFORMER, CURRENT (500 AMPS)	(3) 19XV05005202	(3) ->	(3) ->	(3) ->
	Liquid-Flo I VFD's with a 19XVR0500XXX code number. See data plate.				
809 C	TRANSFORMER, CURRENT (643 AMPS)	(3) 19XV05005202	(3) ->	(3) ->	(3) ->
	Liquid-Flo I VFD's with a 19XVR0643XXX code number. See data plate.				
810	FUSE ASSEMBLY	(2) 19XV05005401	(2) ->	(2) ->	(2) ->
811	RELAY	(3) 19XV05005502	(3) ->	(3) ->	(3) ->
812	DISCONNECT SWITCH	19XV05005601	->	->	->
813	GUARD, FAN	19XV05002501	->	->	->
814	FAN	19XV05002502	->	->	->

PARTS LIST CATALOG

PARTS LIST PAGE: 062

CATALOG NO.: RCD-3519-061 REV. B
SUPERSEDES : RCD-3519-061 REV. A

NOTE: SEE "CATALOG NOTES" ON LAST PAGE FOR EXPLANATION OF SYMBOLISM.



CENTRIFUGAL CHILLER
(INCLUDES 19XR & 19XRV
INFORMATION)

19XR

SIZE: 002 005
SERIES: 1

ITM	PART DESCRIPTION	19XR FR#4	19XR FR#4 (SRD)	19XR FR#4 (2002)	19XR FR#5
		COMPR. SIZE	COMPR. SIZE	COMPR. SIZE	COMPR. SIZE
	CONTROL PANEL/ VAR. FREQ. DRIVE (VFD)				
815 A	HANDLE,DISCONNECT (414 AMP)	NOT REQUIRED	->	->	->
	Liquid-Flo I VFD's with a 19XVR0414XXX code number. See data plate.				
815 B	HANDLE,DISCONNECT (500 AMP)	19XV04004302	->	->	->
	Liquid-Flo I VFD's with a 19XVR0500XXX code number. See data plate.				
815 C	HANDLE,DISCONNECT (643 AMP)	19XV04004303	->	->	->
	Liquid-Flo I VFD's with a 19XVR0643XXX code number. See data plate.				
816	METER KIT	19XV05006601	->	->	->
	Includes: Amp-meter current transformer, AC amp-meter switch, AC volt-meter, AC voltmeter 0-600v, AC amp-meter 0-800 amps.				
817 A	TRANSFORMER,POTENTIAL (60 HERTZ)	(2) 19XV05007101	(2) ->	(2) ->	(2) ->
	Liquid-Flo I VFD's all 60 hertz models.				
817 B	TRANSFORMER,POTENTIAL (50 HERTZ)	(2) 19XV05007102	(2) ->	(2) ->	(2) ->
	Liquid-Flo I VFD's all 50 hertz models.				
818	TRANSFORMER	19XV05007201	->	->	->
819	CIRCUIT BREAKER	19XV05007501	->	->	->
820	FUSE (1 AMP)	(3) ATQR-1	(3) ->	(3) ->	(3) ->
821	FUSE (15 AMP)	(3) 64676-75AD	(3) ->	(3) ->	(3) ->
822	INTEGRATED STARTER MODULE (ISM)	19XR04012202	->	->	->
823	O-RING	(2) KK71EW016	(2) ->	(2) ->	(2) ->
850	VARI. FREQ. DRIVE (VFD)(LIQ.-FLO II)	(LIQUID-FLO II)	->	->	->
851	VFD REFERENCE ONLY (DO NOT ORDER)	19XV04006401/6501	->	->	->
852 A	CONTACTOR (2AA & 2CC)	(3) 320716	(3) ->	(3) ->	(3) ->
	Liquid-Flo II VFD's with a 19XVA2AA or 19XVA2CC code. See data plate.				
852 B	CONTACTOR (4CC)	(3) 320720	(3) ->	(3) ->	(3) ->
	Liquid-Flo II VFD's with a 19XVA4CCXXX order code. See data plate.				
853 A	POWER MODULE (2AA)	RX-LF200460CCR	->	->	->
	Liquid-Flo II VFD's with a 19XVA2AAXXX code. See data plate.				
853 B	POWER MODULE (2CC)	RX-LF200608CCR	->	->	->
	Liquid-Flo II VFD's with a 19XVA2CCXXX order code. See data plate.				
853 C	POWER MODULE (4CC)	RX-LF201215CCR	->	->	->
	Liquid-Flo II VFD's with a 19XVA4CCXXX code. See data plate.				
854	SWITCH (3 POSITION)	178743	->	->	->
855	AMPMETER	180621-Q01	->	->	->
856	VOLTMETER	180620-Q01	->	->	->
857	FAN,COOLING	(3) 69739-20R	(3) ->	(3) ->	(3) ->
858 A	BOARD,COMM. (GATEWAY) (2AA)	180102	->	->	->
	Liquid-Flo II VFD's with a 19XVA2AA order code. See data plate.				
858 B	BOARD,COMM. (GATEWAY) (2CC)	180102	->	->	->
	Liquid-Flo II VFD's with a 19XVA2CC order code. See data plate.				
858 C	BOARD,COMM. (GATEWAY) (4CC)	180102	->	->	->
	Liquid-Flo II VFD's with a 19XVA4CC order code. See data plate.				
	MISCELLANEOUS GROUP				
900	N PAINT (SPRAY CAN)(GRAY)	PH23GH022	->	->	->
901	N PAINT (GALLON CAN)(GRAY)	PH23GH022G	->	->	->
902	N BRUSH,TUBE CLEANING (3/4" I.D.)	GTC-211 11/16	->	->	->

