

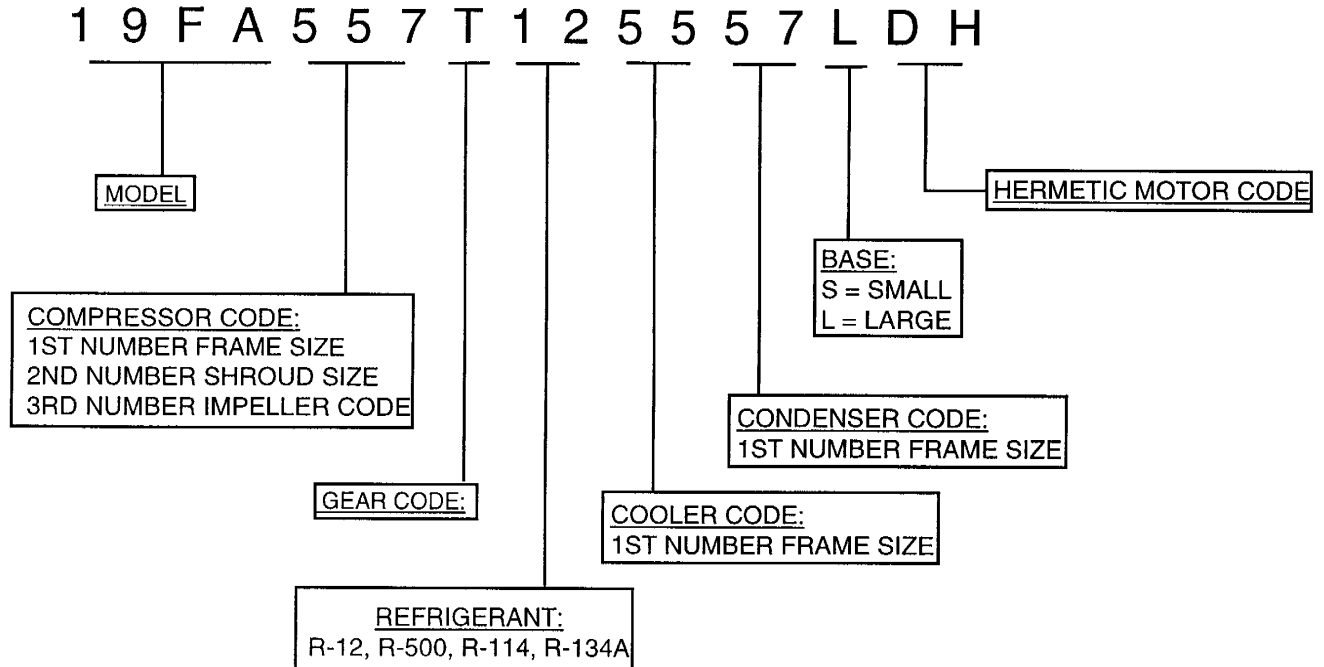


HERMETIC CENTRIFUGAL LIQUID CHILLER

19FA

THIS SERVICE PARTS LIST IS BROKEN DOWN BY COMPRESSOR SIZE. TO DETERMINE YOUR COMPRESSOR SIZE REFER TO SIGNIFICANCE CHARTS BELOW.

MODEL NUMBER SIGNIFICANCE CHART



HOW TO USE THIS CATALOG

1. THIS CATALOG PRESENTS THE MOST COMMONLY USED SPECIFIED PARTS FOR THE STANDARD 19FA CENTRIFUGAL REFRIGERATION MACHINE AND IS NOT APPLICABLE TO ANY SPECIAL ORDER MACHINES. (CONTACT CARRIER WITH MACHINE SERIAL NUMBER FOR ANY SPECIAL ORDER UNIT PARTS.)
2. OCCASIONALLY DUE TO LIMITATIONS OF ILLUSTRATIONS USED, A PART MAY NOT BE ILLUSTRATED, THESE PARTS ARE IDENTIFIED BY "N" IN THE COLUMN NEXT TO THE ITEM NUMBER.
3. THE FOLLOWING PARTS ARE NOT LISTED IN THIS CATALOG.
 - A. IMPELLERS, SHROUDS, DIFFUSERS
 - B. COMPRESSOR MOTOR (ROTOR & STATOR)
 - C. EVAPORATOR TUBE PART NUMBERS
 - D. CONDENSER TUBE PART NUMBERS

IF ANY OF THESE PARTS ARE REQUIRED, CONTACT YOUR CARRIER REPRESENTATIVE WITH THE MODEL AND SERIAL NUMBER OF YOUR MACHINE.

Graphics Catalog

Catalog No: RCD-3519-060 (4/00)

Rev.

Supersedes: 551.705 & 551.715

Rev.

Note: See "Catalog Notes" on last page for explanation of symbolism.

Graphics Page: 1

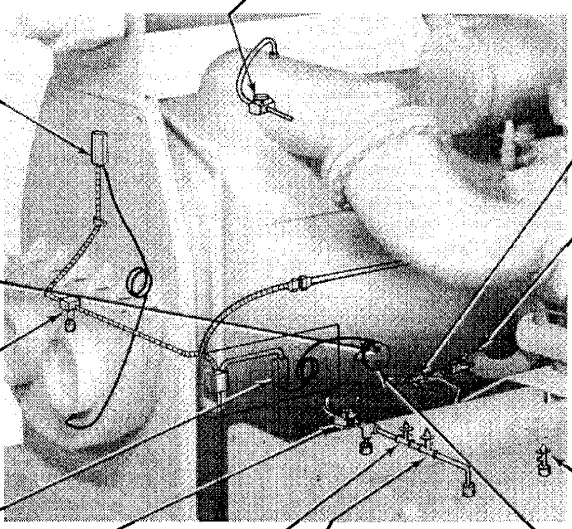
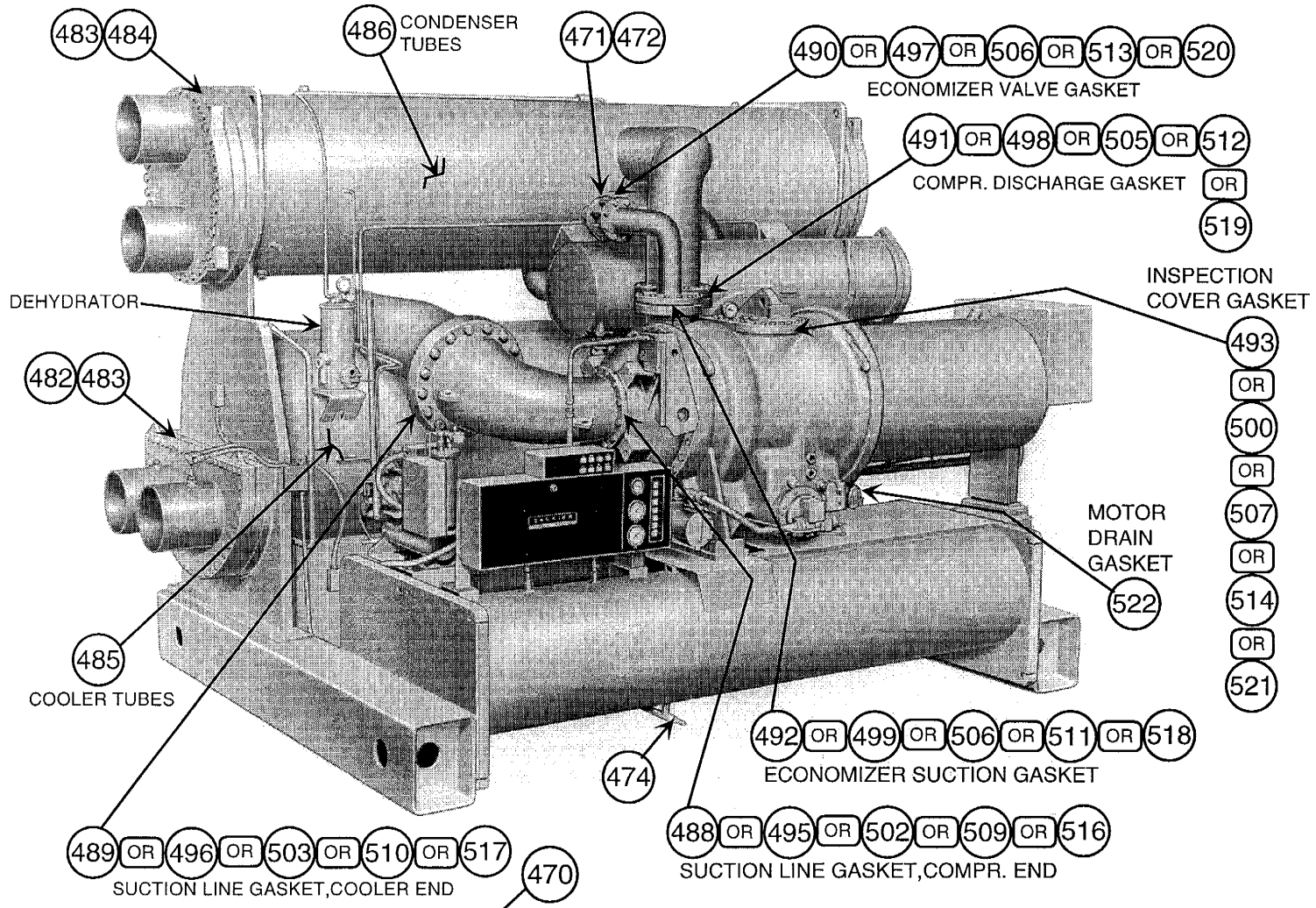
Litho in U.S.A



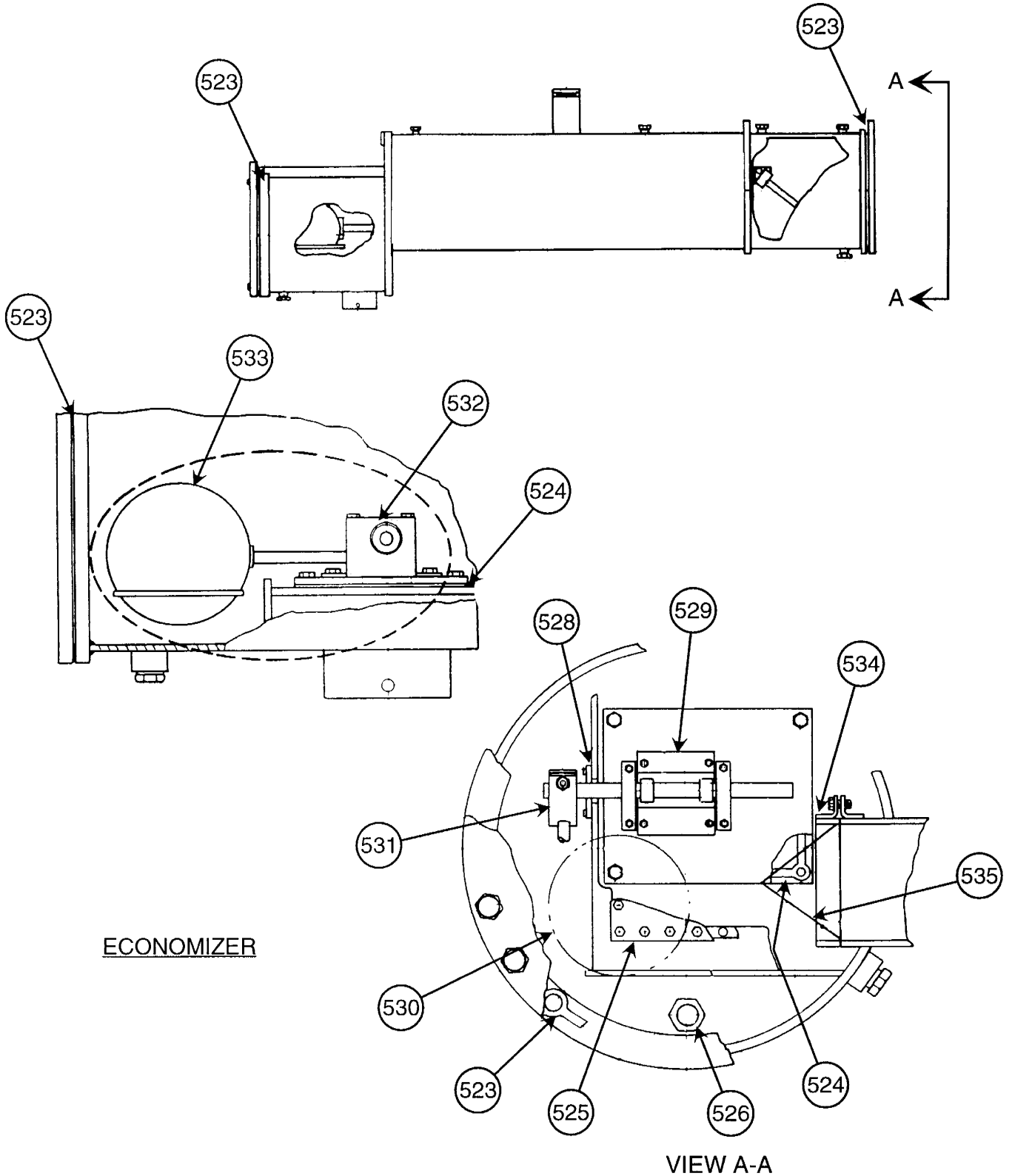
Electronic Graphics 19060001

**HERMETIC CENTRIFUGAL
LIQUID CHILLER**

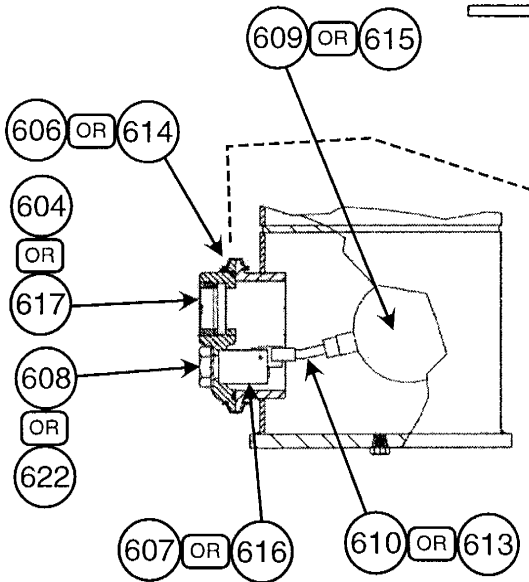
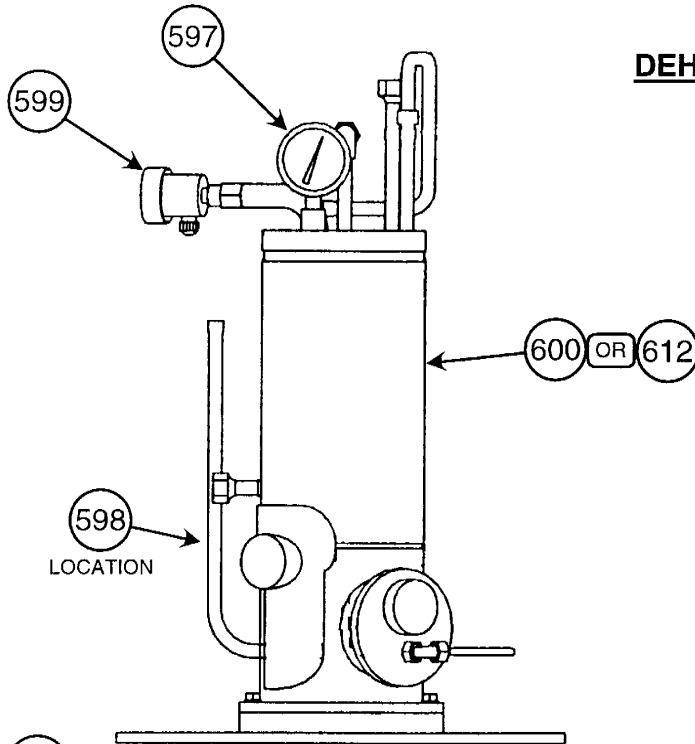
19FA



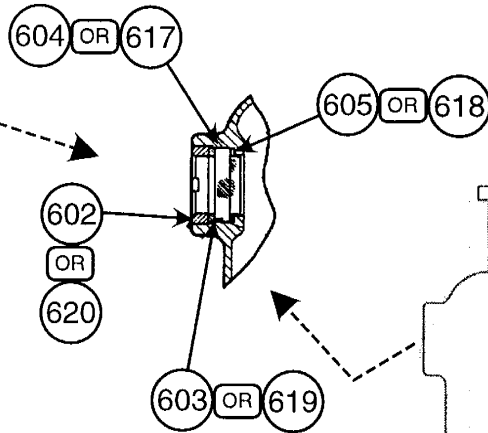
IMPORTANT NOTE!
 DETERMINE THE CORRECT
 GASKETS FOR YOUR MACHINE
 BY REFERRING TO GASKET
 PACKAGES ITEMS 487, 494,
 501, 508 OR 515. AND
 ORDERING THE NEEDED
 GASKET FROM KIT OR
 ORDER COMPLETE KIT IF
 ALL ARE REQUIRED.



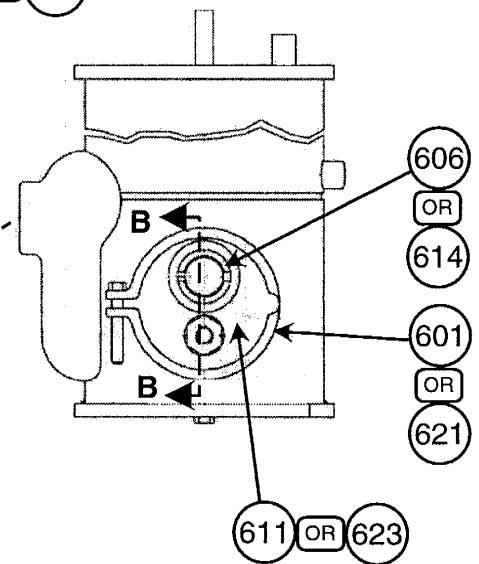
DEHYDRATOR-PURGE ASY

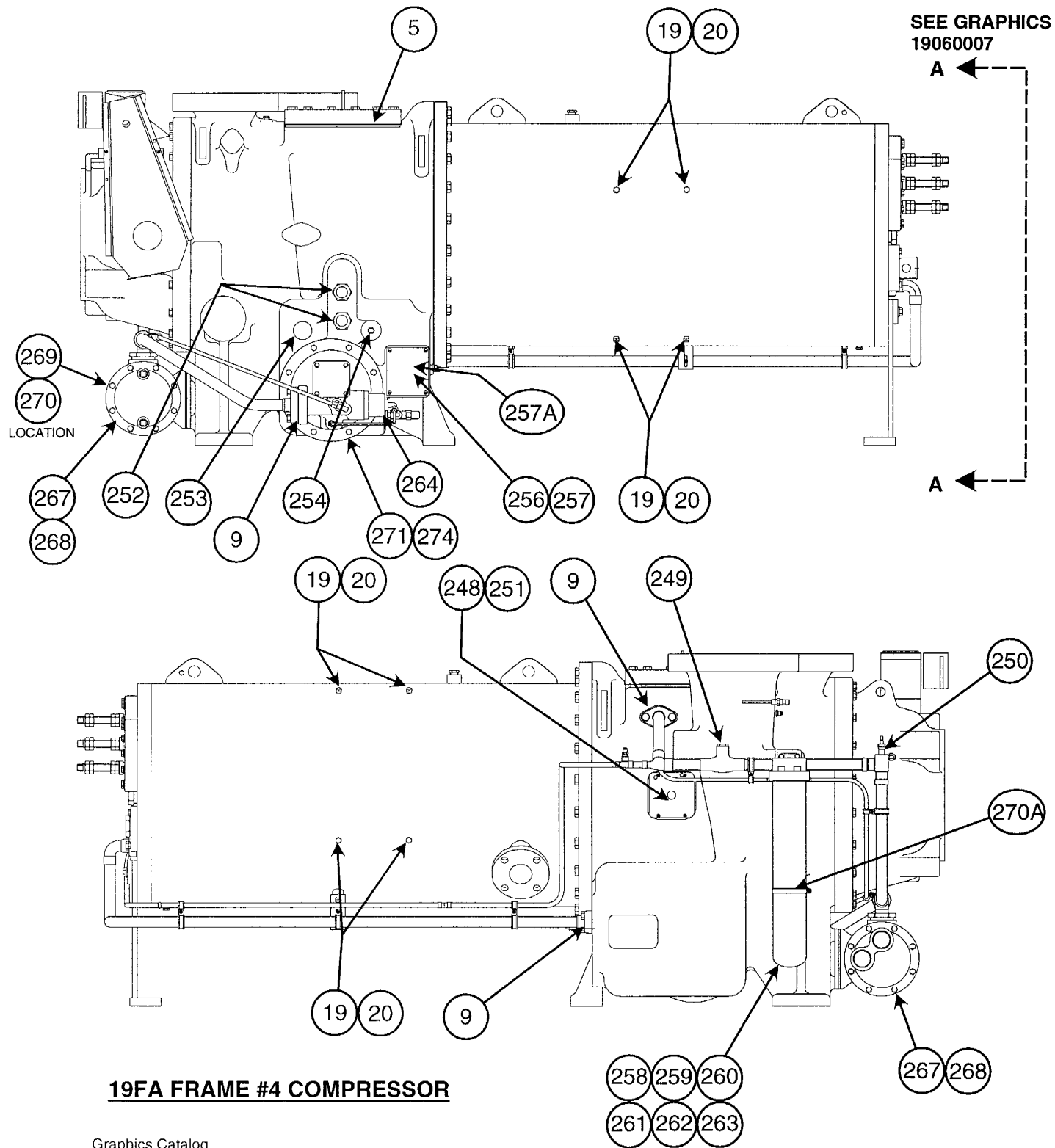


SECTION B-B



DEHYDRATOR



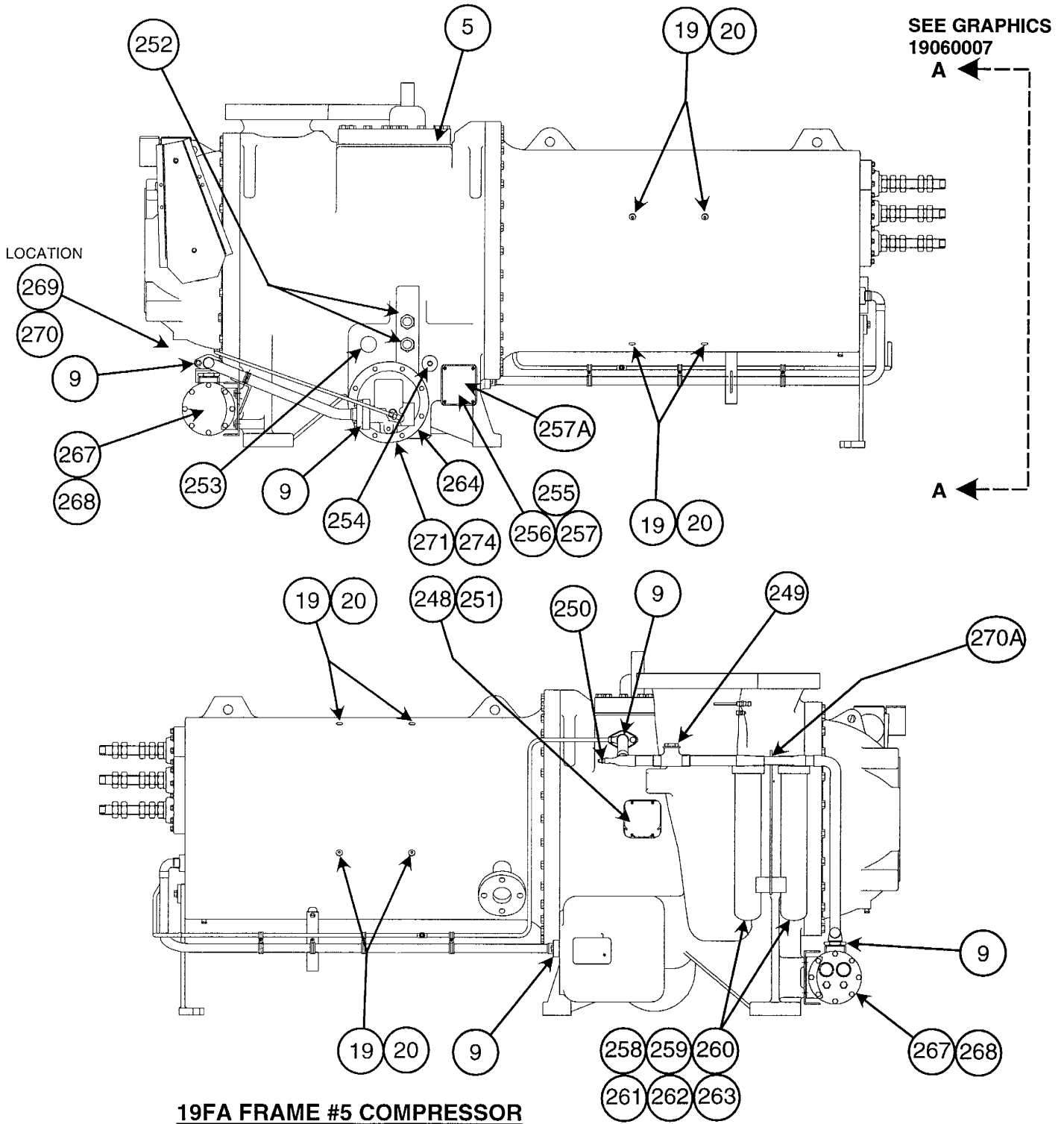


SEE GRAPHICS
1906007

19FA FRAME #4 COMPRESSOR

Graphics Catalog
 Catalog No: RCD-3519-060 (4/00) Rev.
 Supersedes: 551.705 & 551.715 Rev.
 Note: See "Catalog Notes" on last page for explanation of symbolism.

Graphics Page: 5
 Litho in U.S.A



19FA FRAME #5 COMPRESSOR

Graphics Catalog

Catalog No: RCD-3519-060 (4/00)

Rev.

Supersedes: 551.705 & 551.715

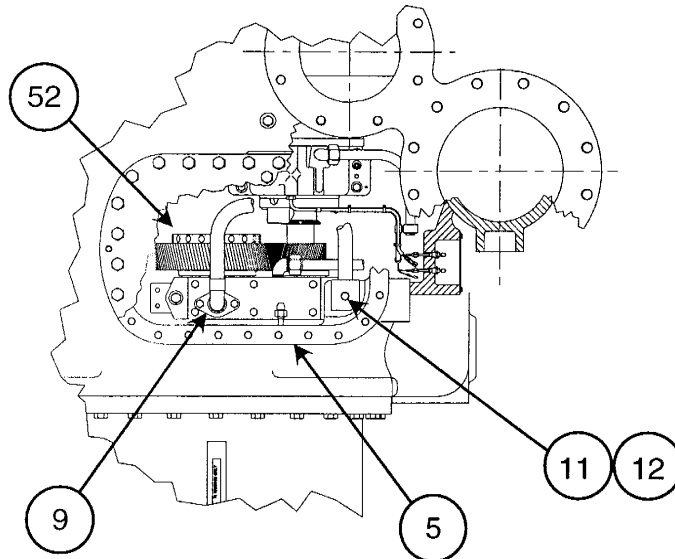
Rev.

Note: See "Catalog Notes" on last page for explanation of symbolism.

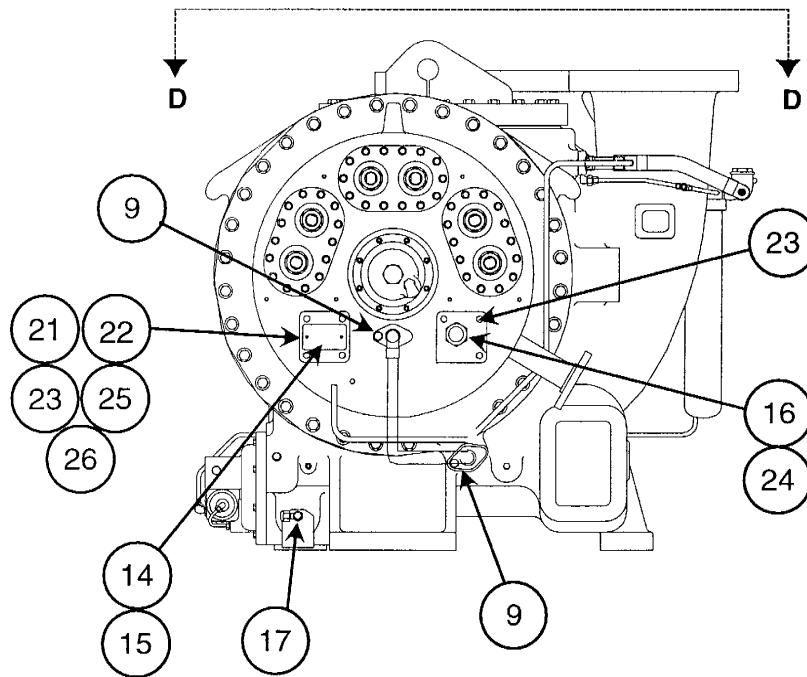
Graphics Page: 6

Litho in U.S.A





VIEW D-D



VIEW A-A

Graphics Catalog

Catalog No: RCD-3519-060 (4/00)

Rev.

Supersedes: 551.705 & 551.715

Rev.

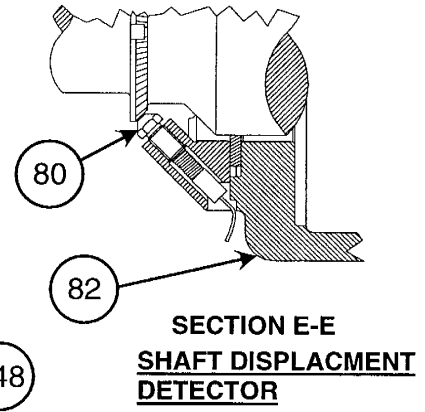
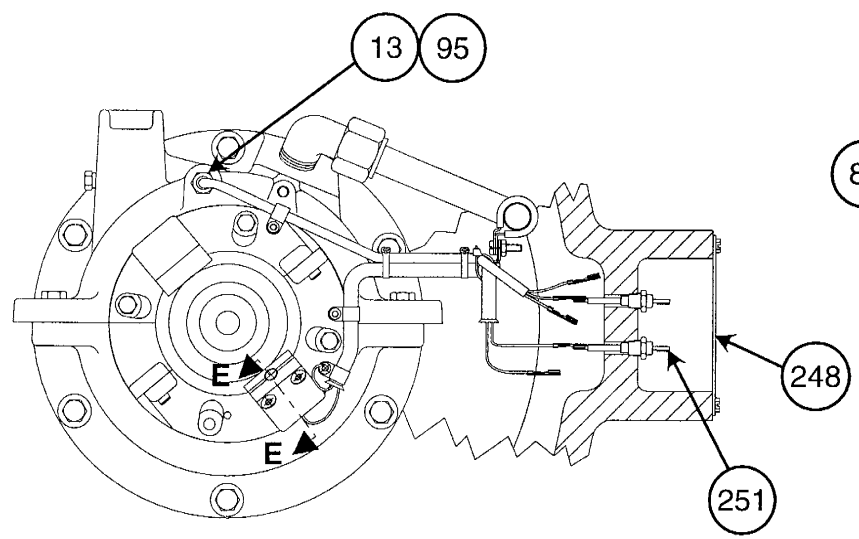
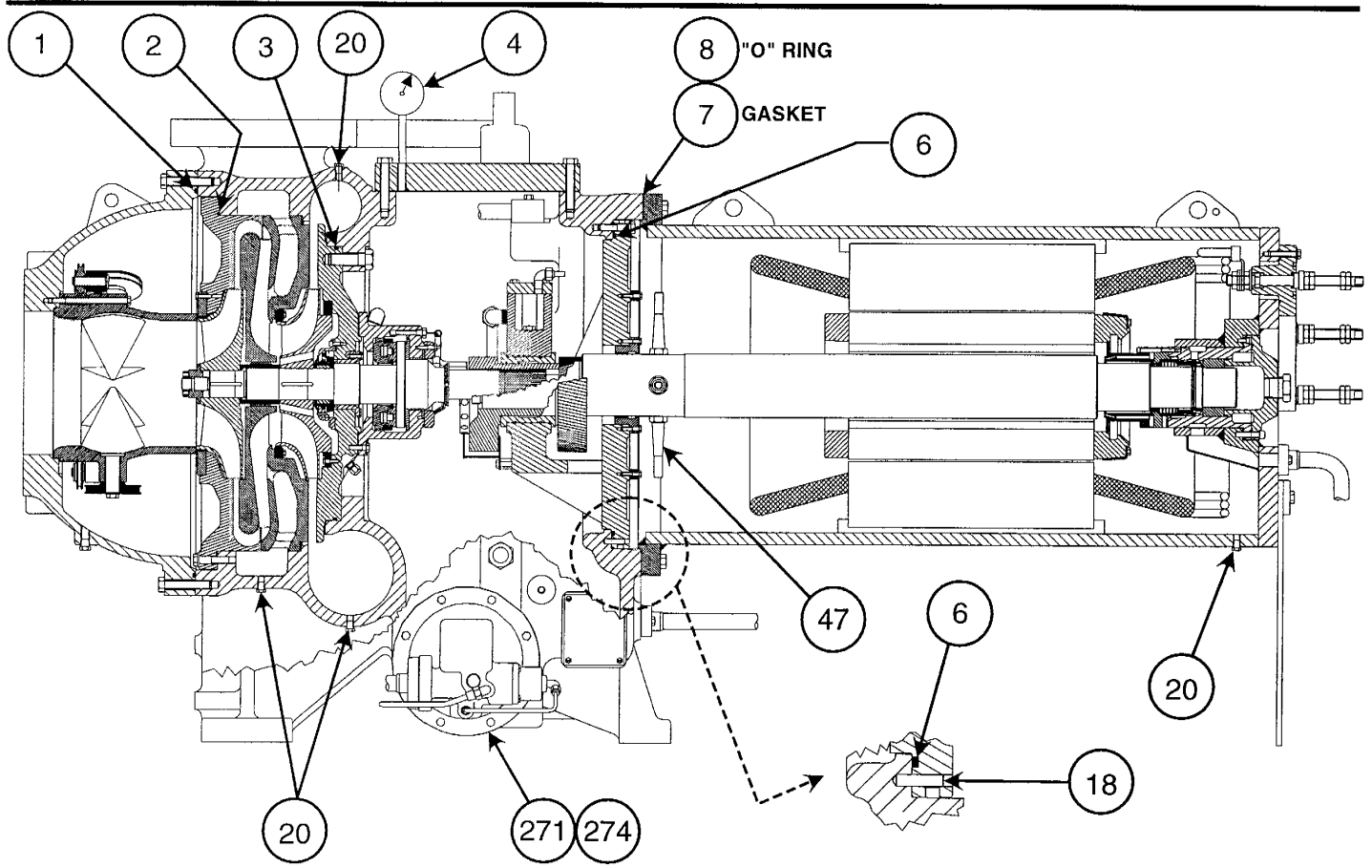
Note: See "Catalog Notes" on last page for explanation of symbolism.

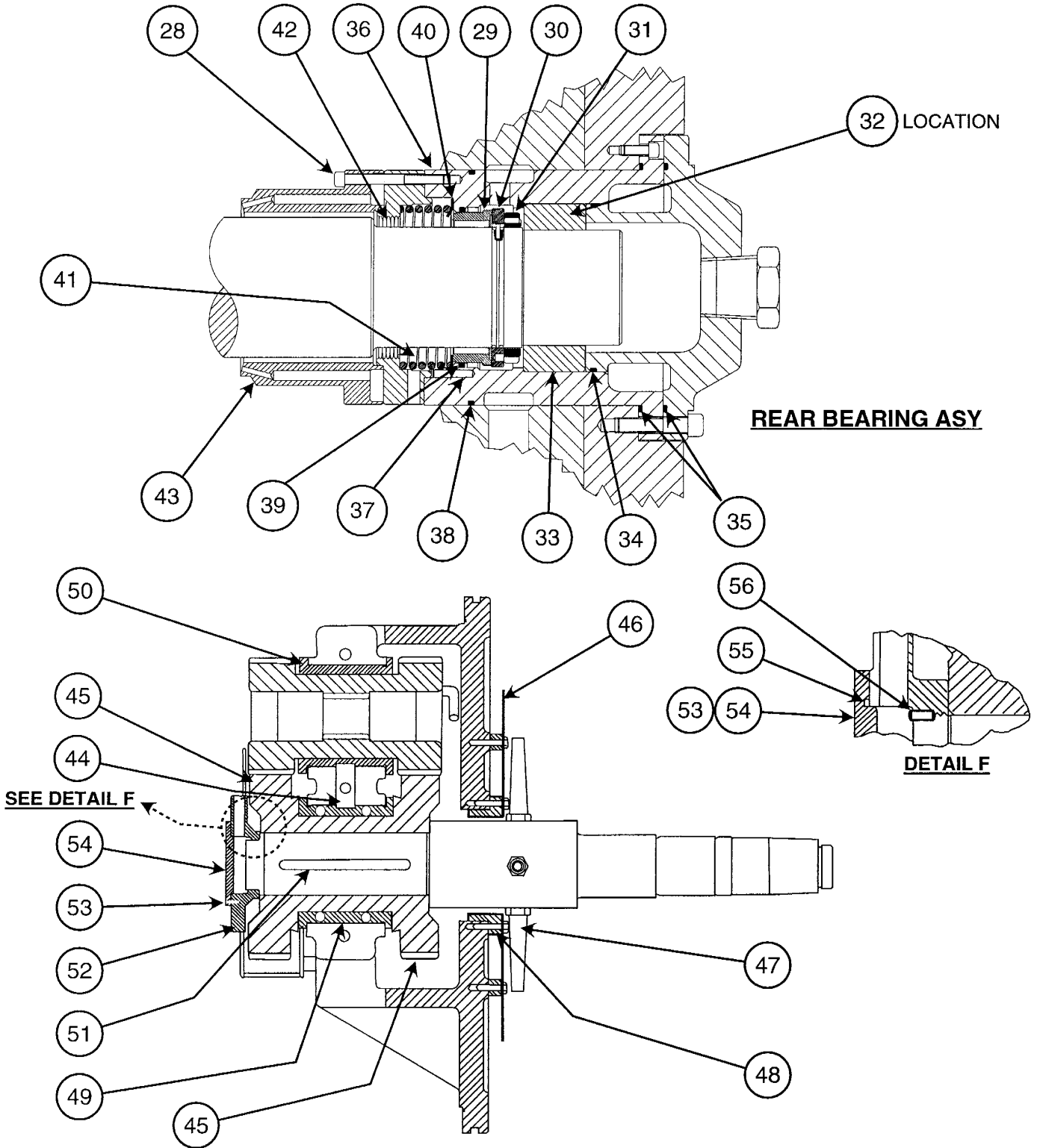
Graphics Page: 7

Litho in U.S.A



Electronic Graphics 1906007





TRANSMISSION ASSEMBLY

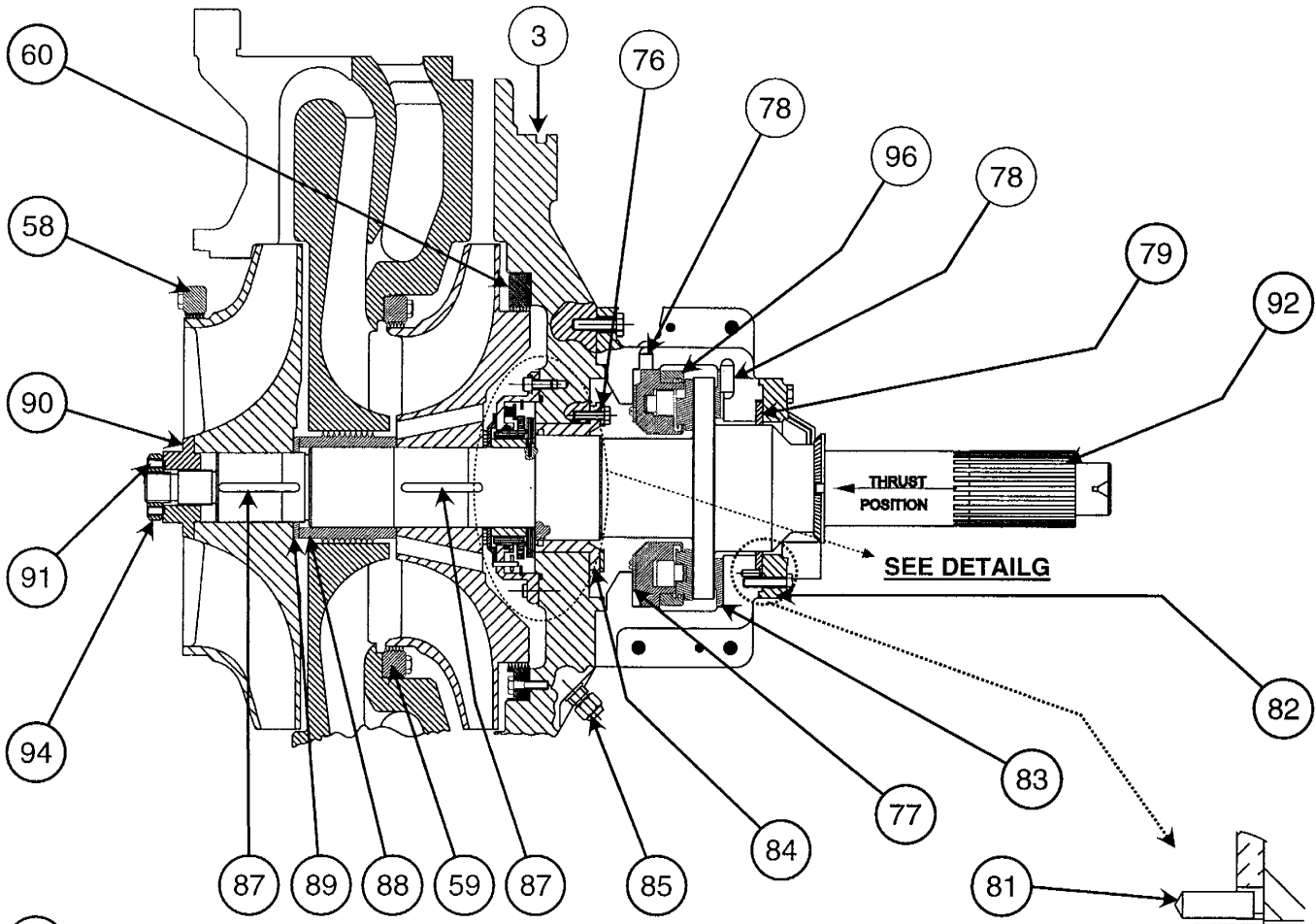
Graphics Catalog
Catalog No: RCD-3519-060 (4/00)
Supersedes: 551.705 & 551.715

Rev.
Rev.

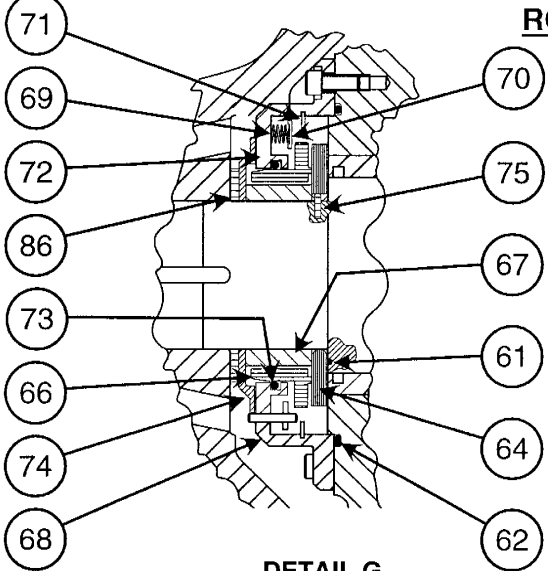
Graphics Page: 9
Litho in U.S.A

Note: See "Catalog Notes" on last page for explanation of symbolism.

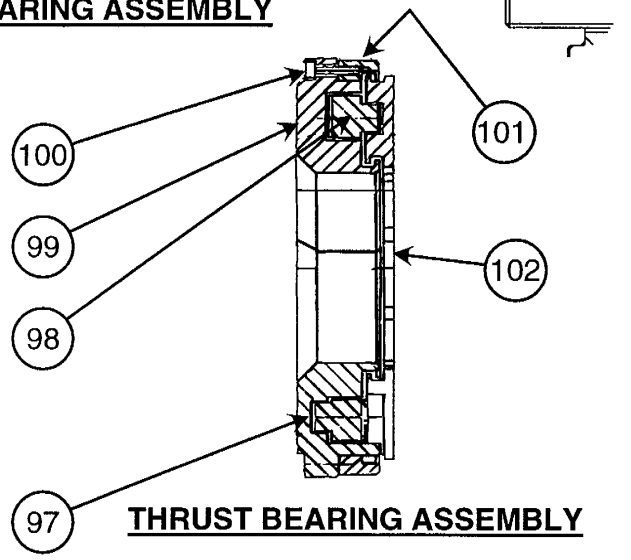




ROTOR & BEARING ASSEMBLY



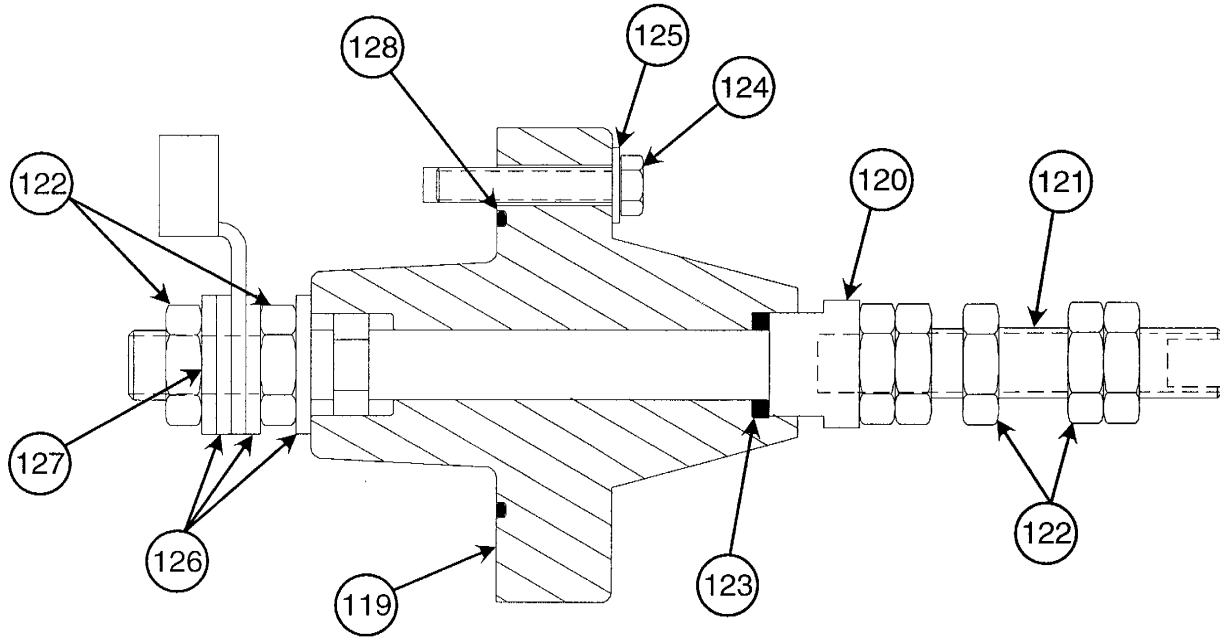
DETAIL G



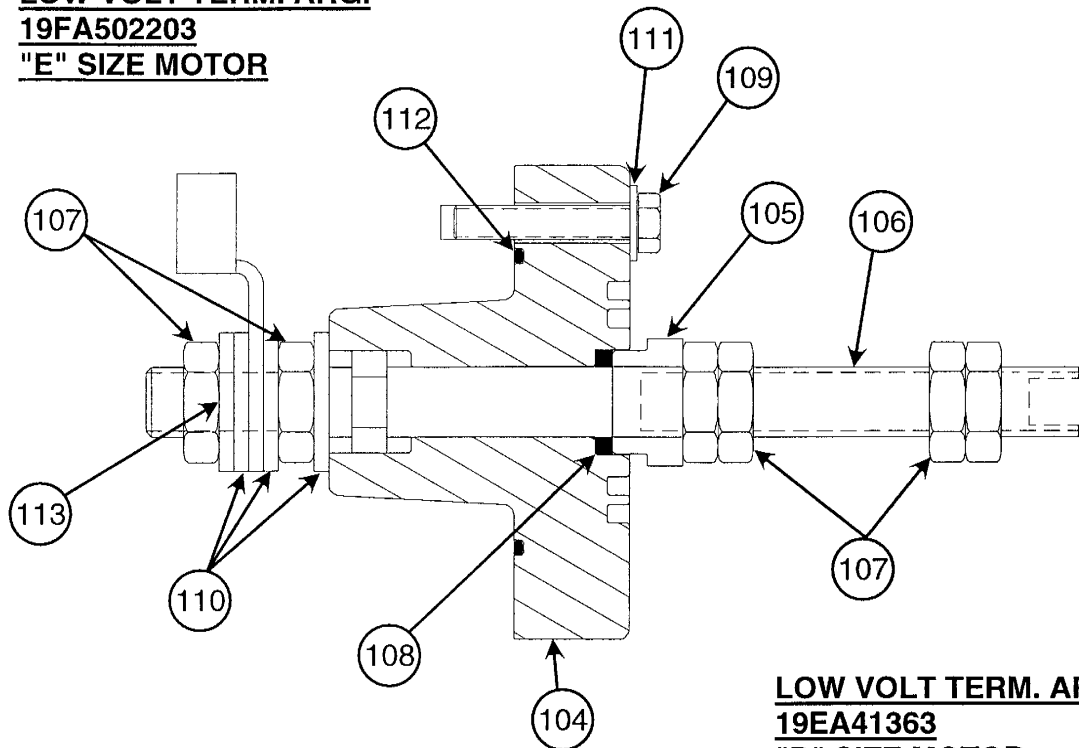
THRUST BEARING ASSEMBLY

Graphics Catalog
 Catalog No: RCD-3519-060 (4/00) Rev.
 Supersedes: 551.705 & 551.715 Rev.
 Note: See "Catalog Notes" on last page for explanation of symbolism.

Graphics Page: 10
 Litho in U.S.A

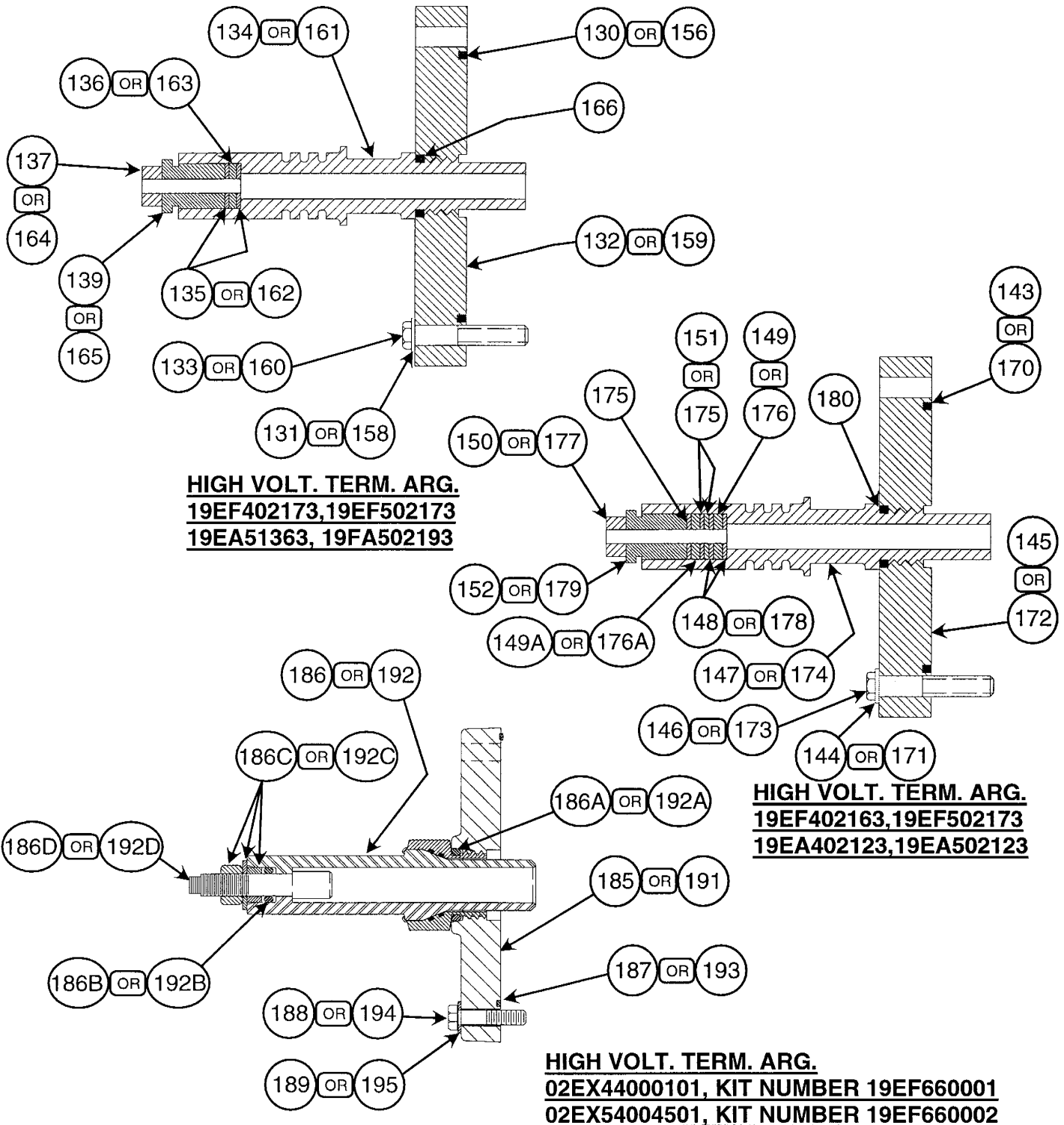


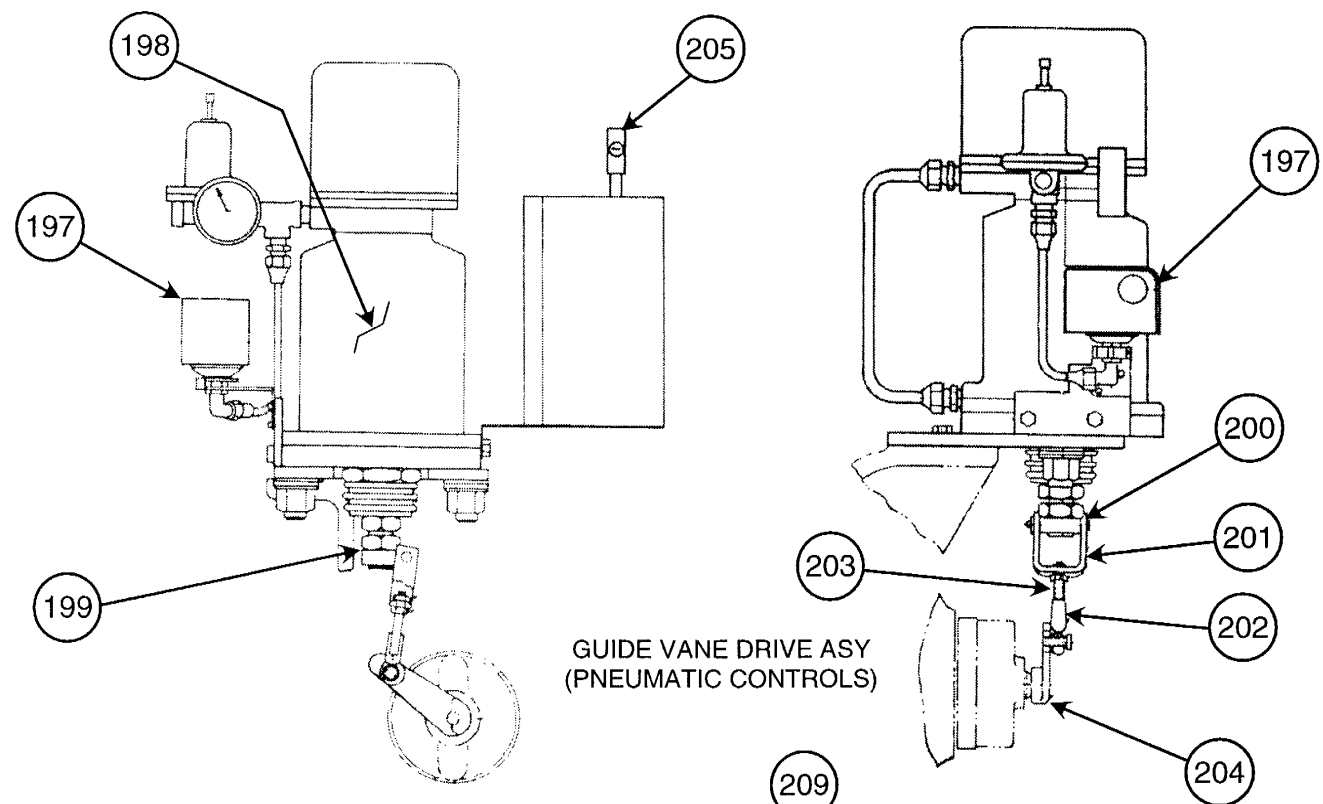
LOW VOLT TERM. ARG.
19FA502203
"E" SIZE MOTOR



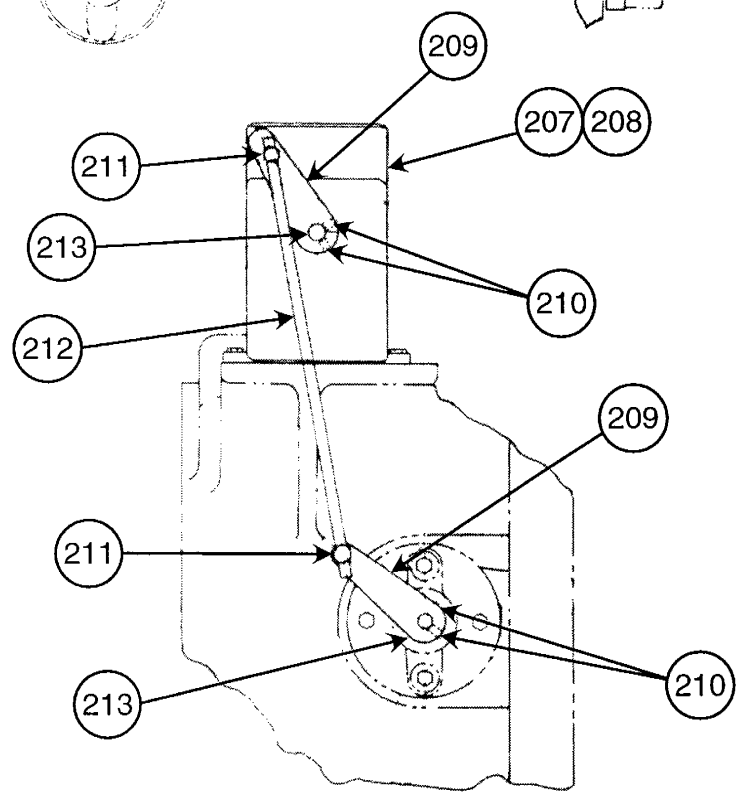
LOW VOLT TERM. ARG.
19EA41363
"D" SIZE MOTOR



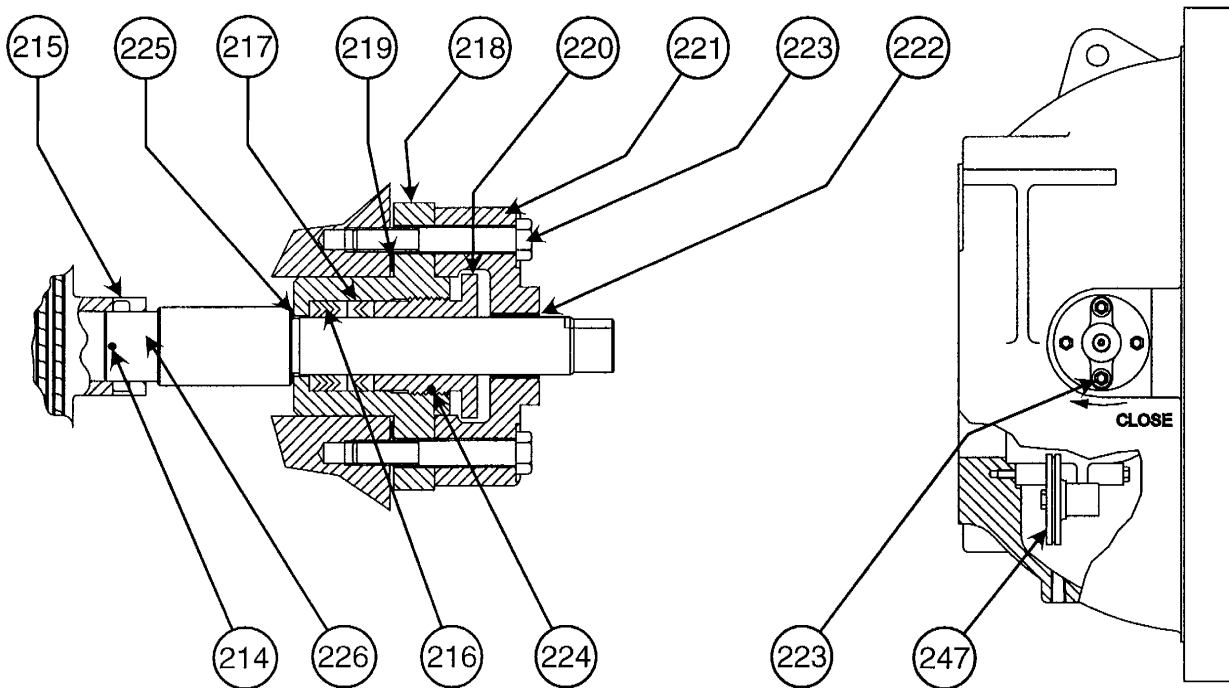
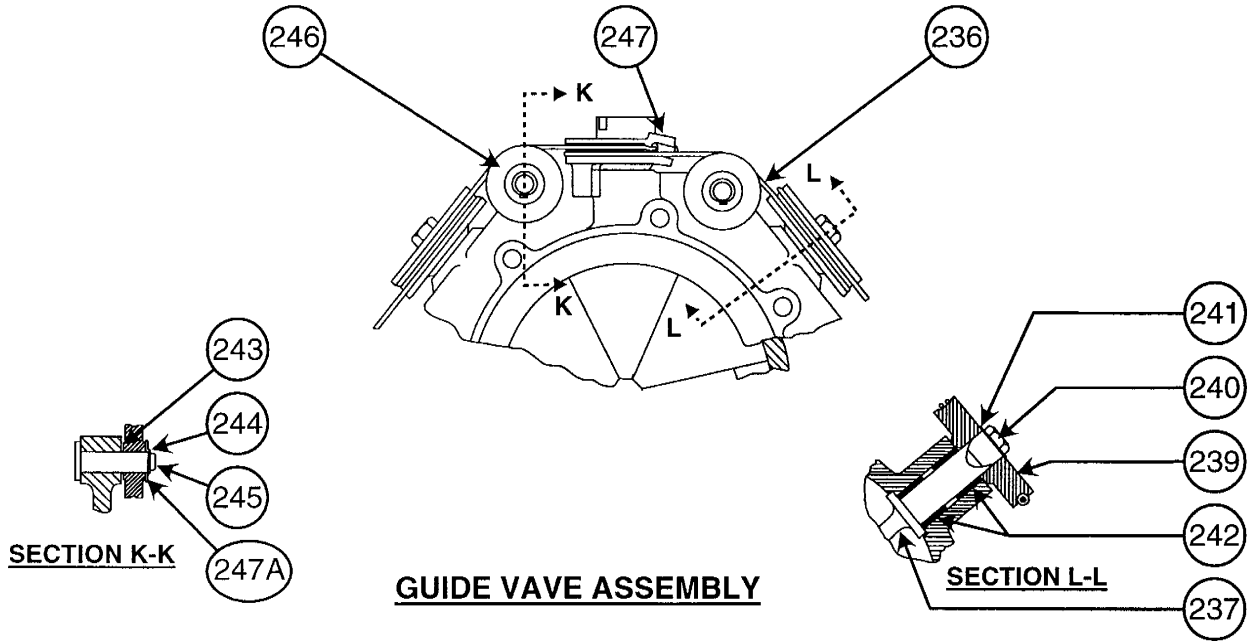


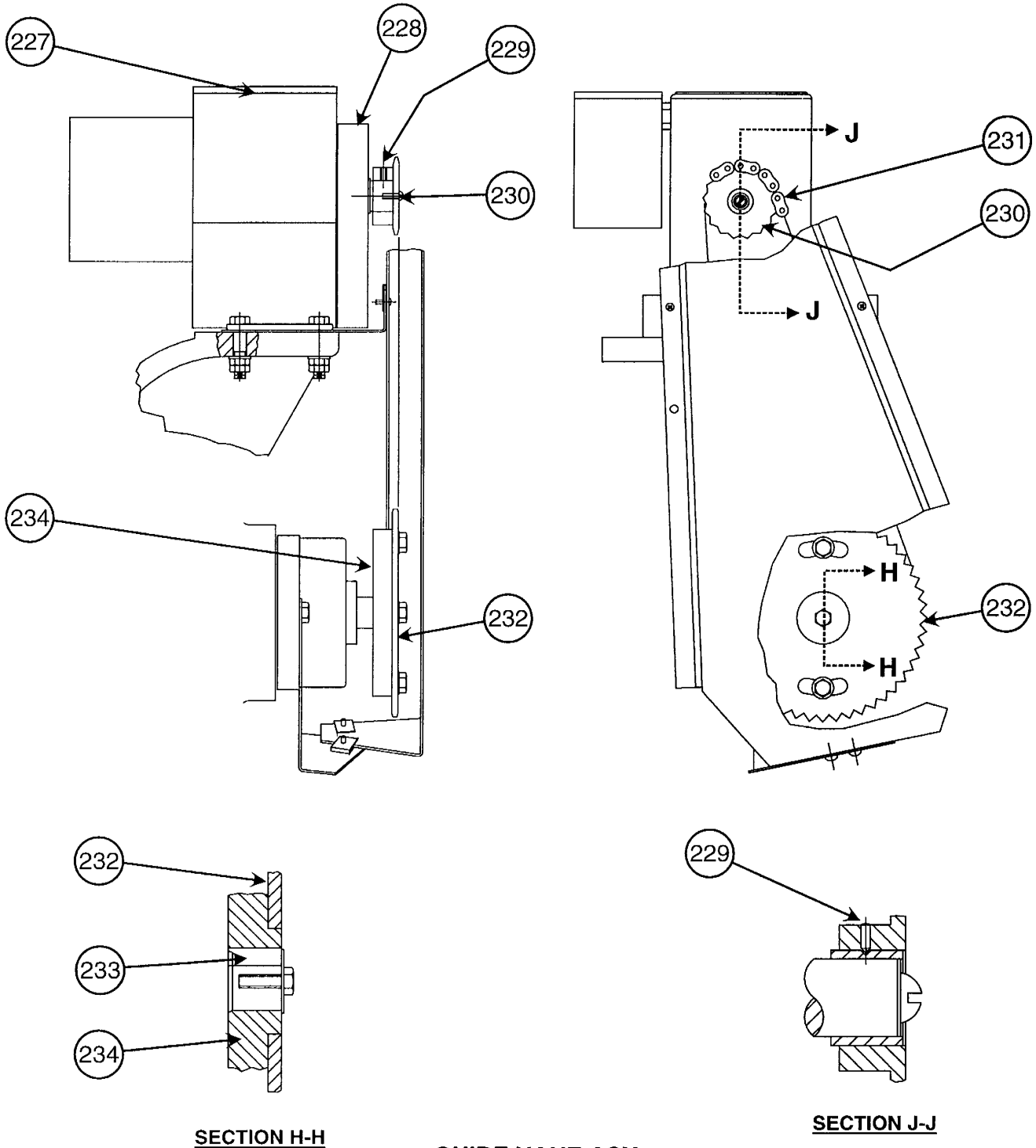


GUIDE VANE DRIVE ASY
(PNEUMATIC CONTROLS)



GUIDE VANE DRIVE ASY
(ELECTRONIC CONTROLS)





SECTION H-H

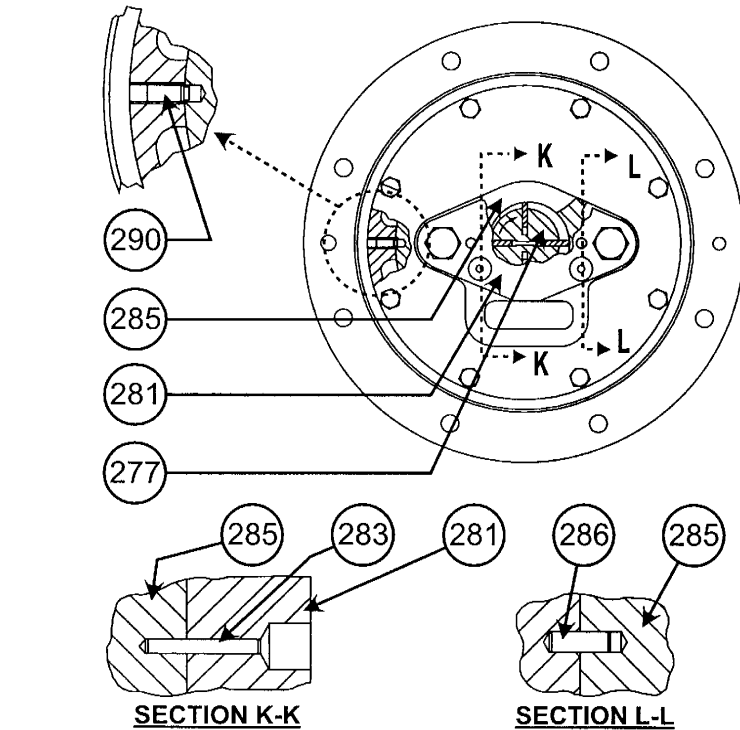
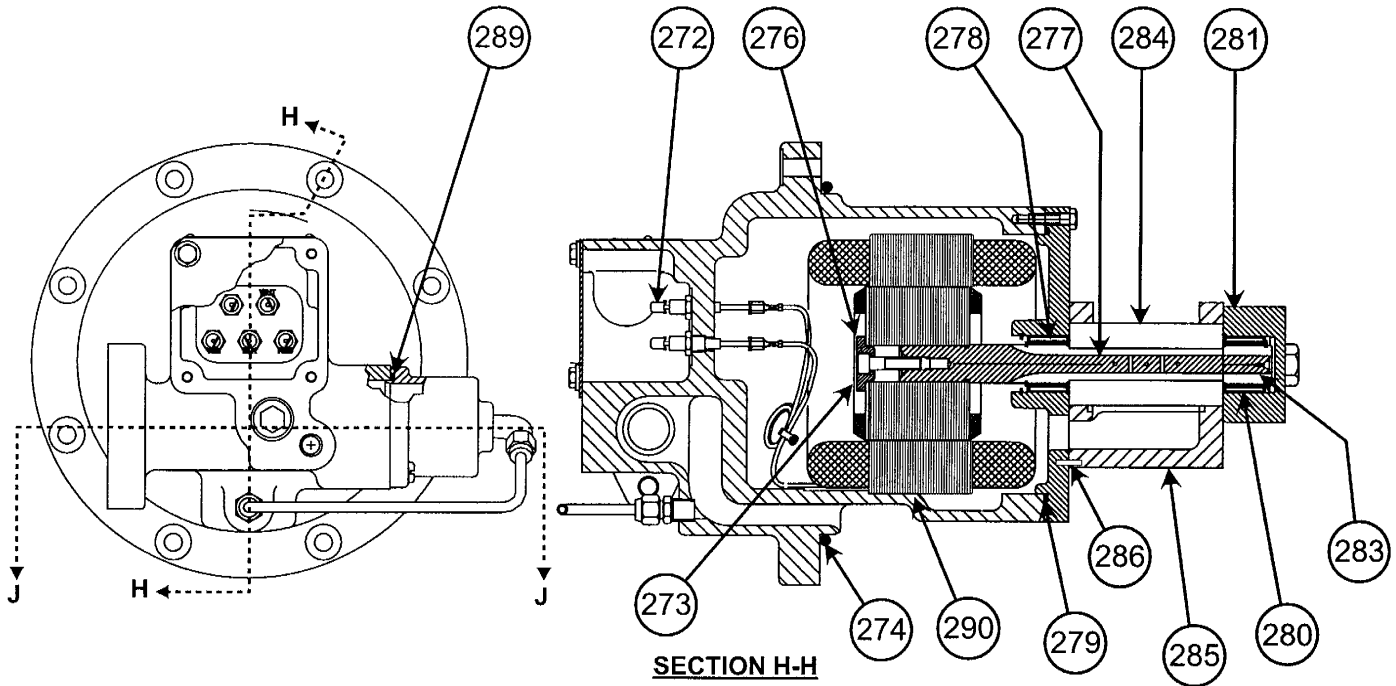
**GUIDE VANE ASY
(CHAIN DRIVE)**

SECTION J-J

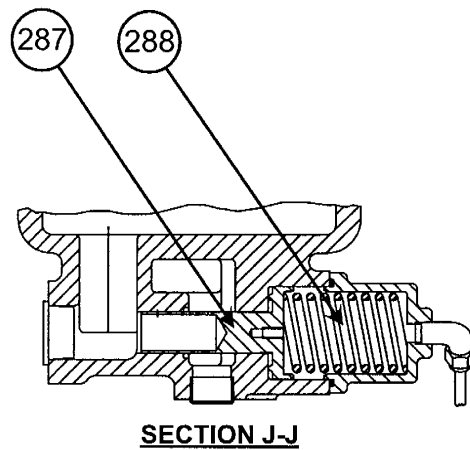
Graphics Catalog
 Catalog No: RCD-3519-060 (4/00) Rev.
 Supersedes: 551.705 & 551.715 Rev.
 Note: See "Catalog Notes" on last page for explanation of symbolism.

Graphics Page: 15
 Litho in U.S.A



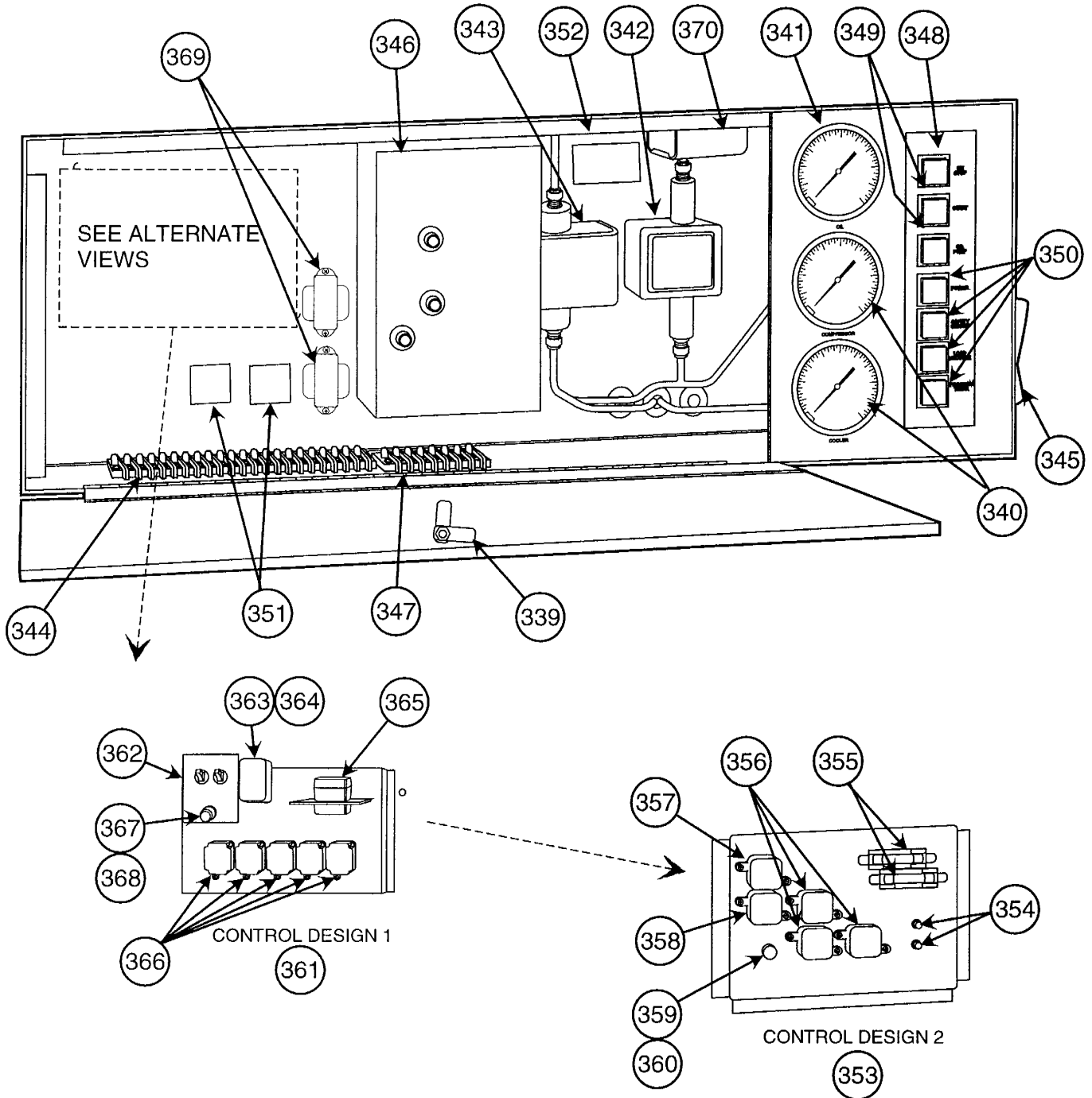


*** REFER TO SERVICE BULLETIN
C9402 FOR MORE INFORMATION**



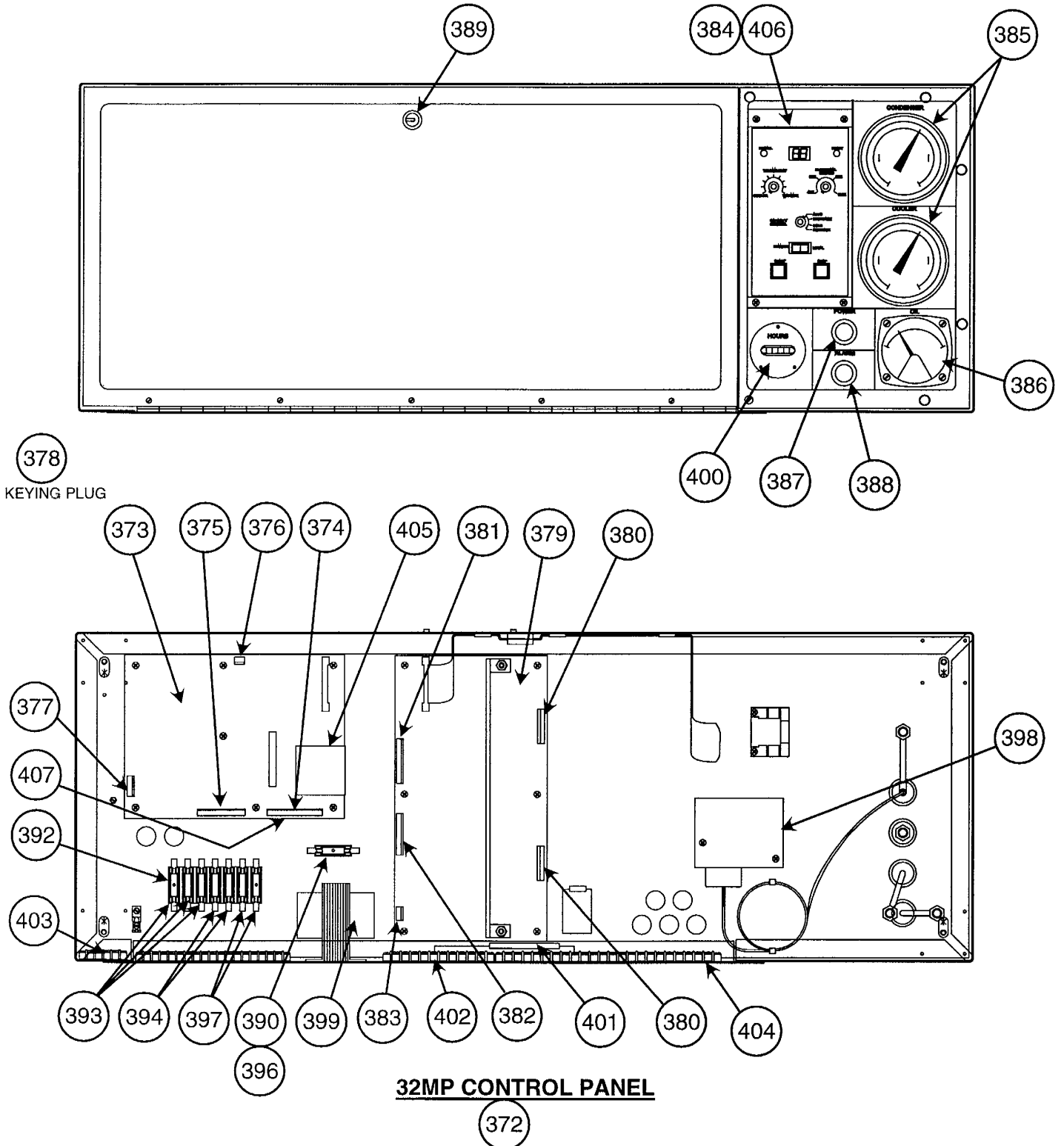
OIL PUMP AND MOTOR ASY

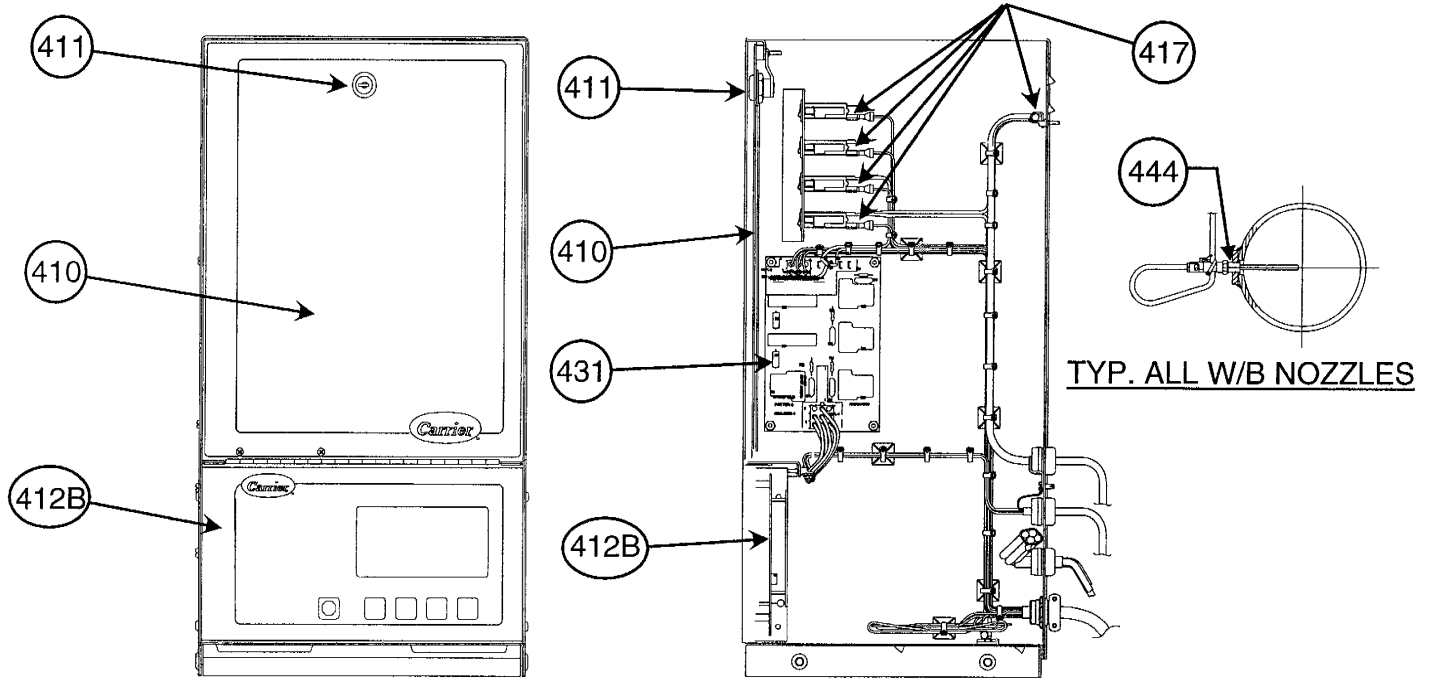




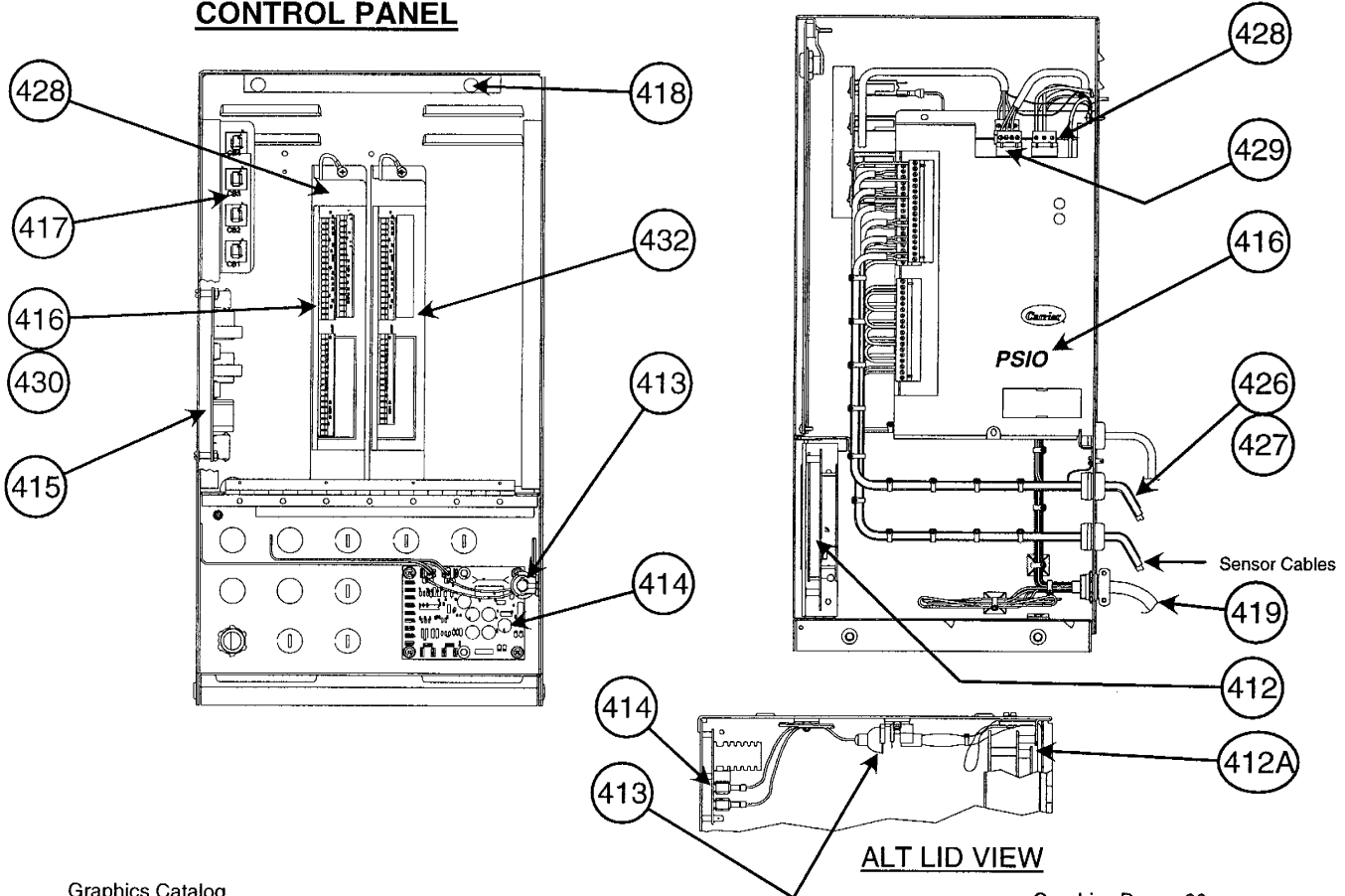
32SM- ELECTRONIC CONTROLS



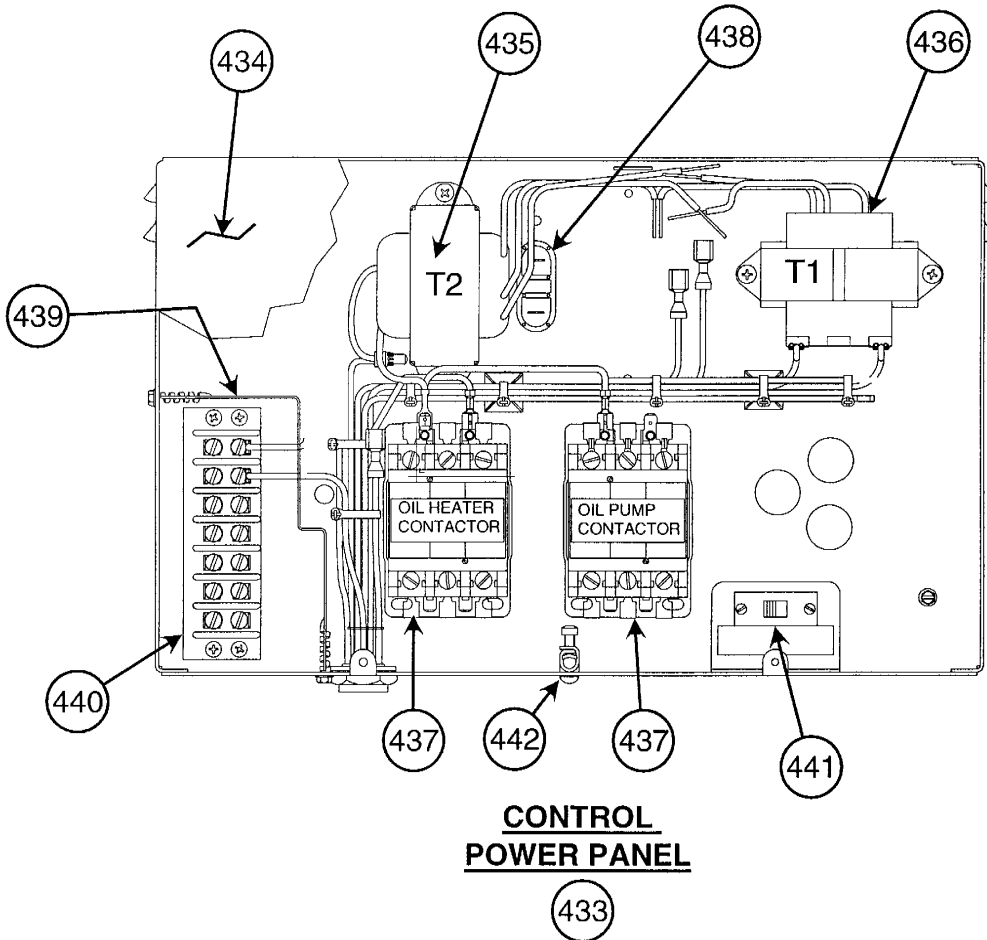


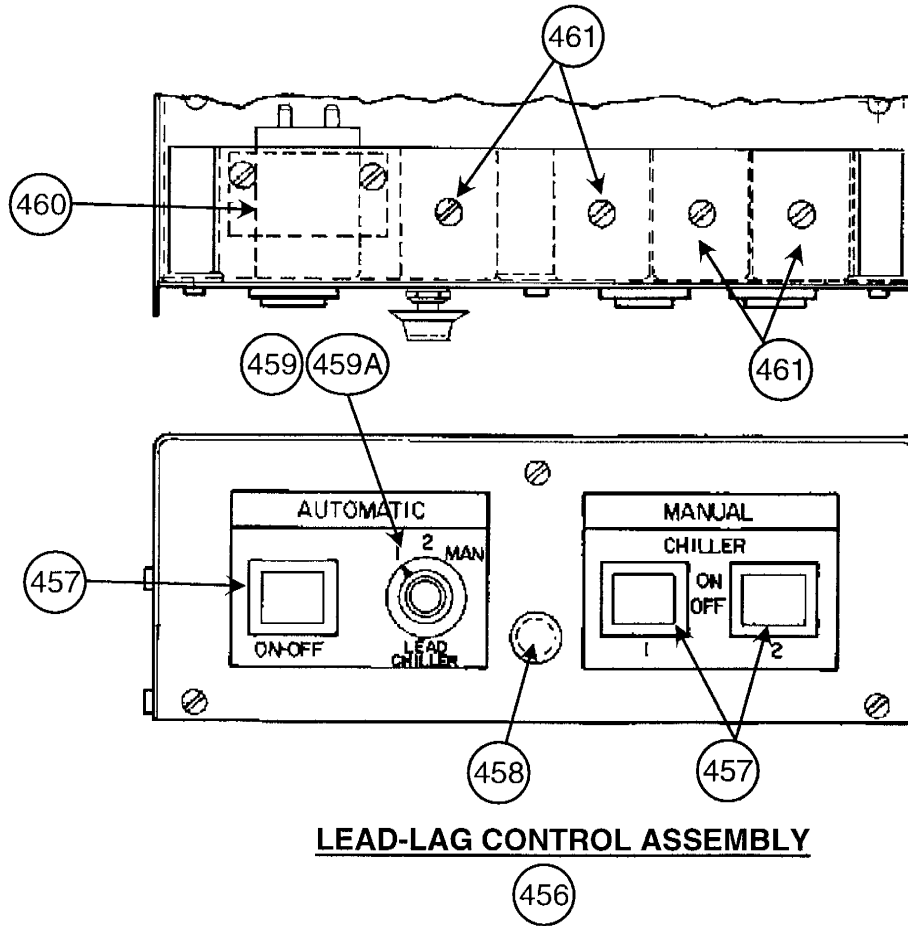
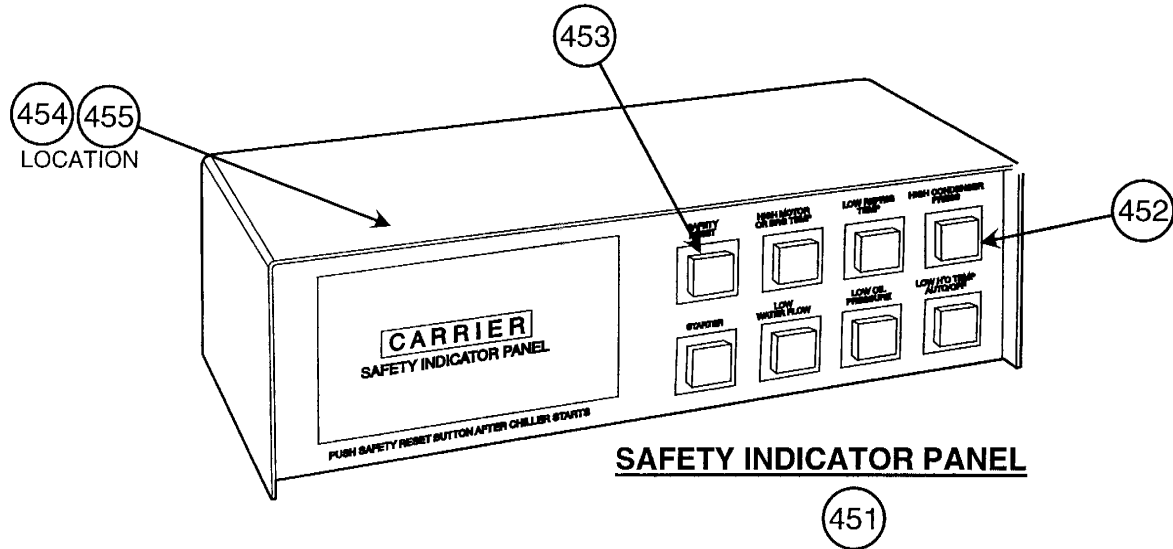


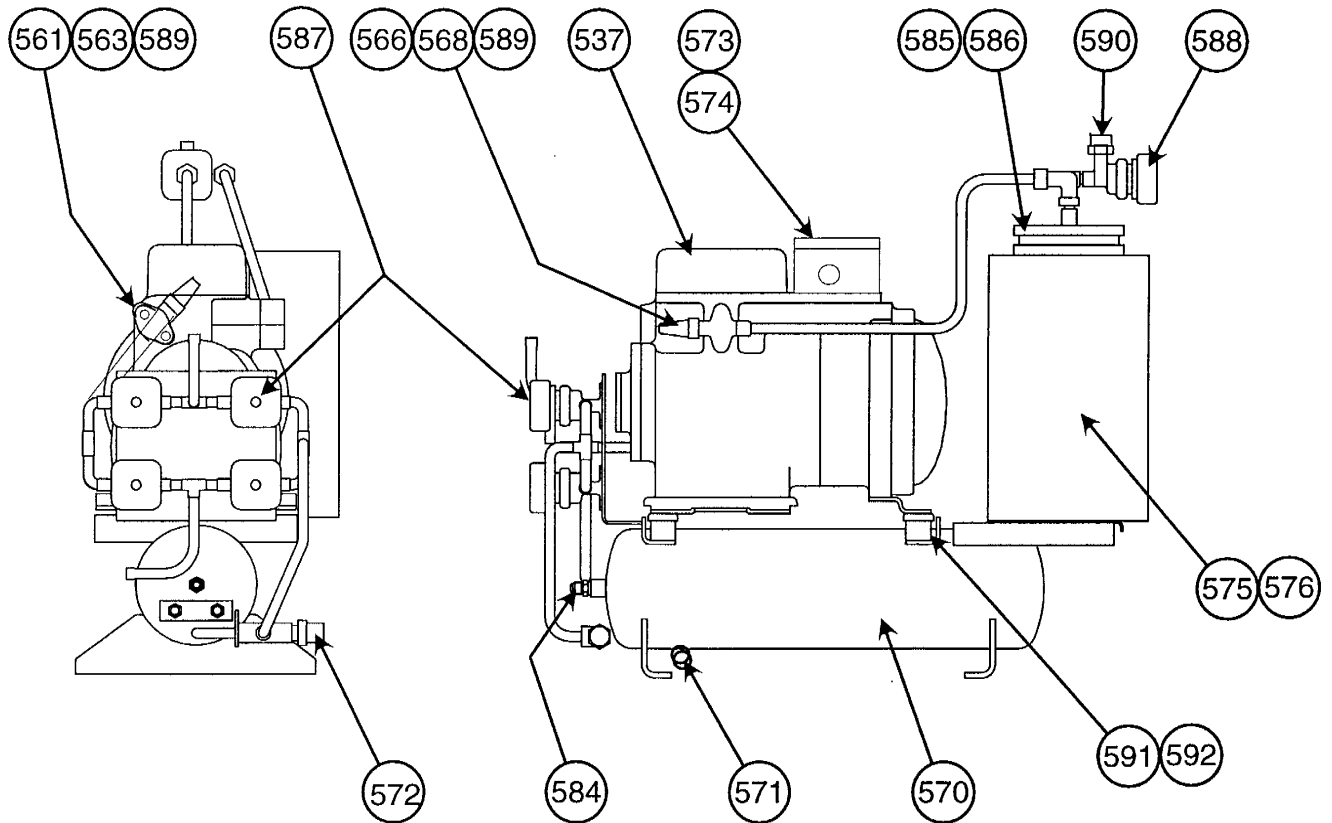
CONTROL PANEL



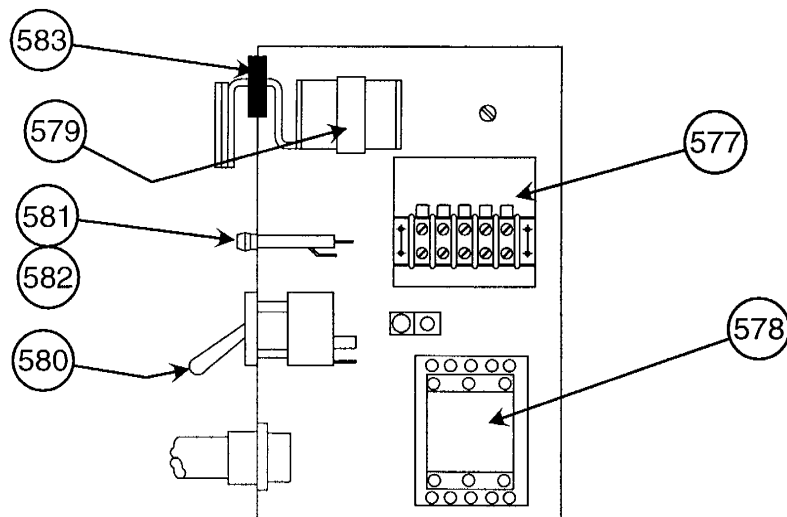
ALT LID VIEW







PUMPDOWN ASY.



PUMPDOWN CONTROL BOX ASY.

(536)

Graphics Catalog
 Catalog No: RCD-3519-060 (4/00) Rev.
 Supersedes: 551.705 & 551.715 Rev.
 Note: See "Catalog Notes" on last page for explanation of symbolism.

Graphics Page: 23
 Litho in U.S.A





CENTRIFUGAL CHILLER (SEMI HERMETIC)

SIZE: 004 005
SERIES: 0

| ITM | PART DESCRIPTION | 19FA004 | | 19FA005 | |
|---|---------------------------------------|--------------|---------------|--------------|---------------|
| | | ALL VOLTAGES | | ALL VOLTAGES | |
| COMPRESSOR GROUP | | | | | |
| 1 | O-RING, GUIDE VANE HOUSING | | KK71GX218 | | KK71GX267 |
| 2 | O-RING, INTAKE WALL | | KK71GX200 | | KK71GX245 |
| 3 | O-RING, DISCHARGE WALL | | KK71EW458 | | KK71EW468 |
| 4 | TEMPERATURE GAUGE, THRUST BEARING | | KM14AC252 | | KM14AC253 |
| 5 | GASKET, INSPECTION COVER | | 17FA4021303LA | | 17FA5021303LA |
| 6 | O-RING, TRANSMISSION HOUSING | | KK71GX199 | | KK71GX267 |
| 7 | GASKET | | 19EA411303LA | | X |
| 8 | O-RING | | KK71EW500 | | KK71GX510 |
| 9A | GASKET (2 BOLT) | | DK29GA005LA | | -> |
| 9B | GASKET (4 BOLT) | | DK37GA001 | | -> |
| 10 | O-RING | | KK71EW223 | | -> |
| 11 | O-RING | | KK71G2018 | | -> |
| 12 | WASHER GASKET | | AU51YA015 | | -> |
| 13 | DISCHARGE/BEARING SENSOR | | 19FA660028 | | -> |
| 14 M | FUSE HOLDER ASSEMBLY (SENSOR BOX) | (4) | 19EA412142 | (4) | -> |
| | INCLUDES: ITEM 15. | | | | |
| 15 | FUSE (1/8 AMP) | | MKB-1/8 | | -> |
| 16A | SIGHT GLASS (1-1/4") | | KM36BQ199 | | -> |
| 16B | SIGHT GLASS (1-1/2") | | KM36BZ002 | | -> |
| 17 | VALVE, CHARGING | | 7792-B | | -> |
| 18 | LOC DOWEL | | AX23AT293 | | -> |
| 19 | DOWEL PIN (STATOR PINING) | (8) | 19EA431822 | (8) | -> |
| 20 | PIPE PLUG 1/4"NPT | (14) | CA63AA051 | (14) | -> |
| 21 | PLATE, MOTOR SENSOR TERMINAL | | 19EA441232 | | -> |
| 22 | TERMINAL, MOTOR SENSOR | (3) | HY85FP041 | (3) | -> |
| 23 | O-RING (MOTOR SENSOR TERMINAL BOX) | (2) | KK71G2041 | (2) | -> |
| 24 | COVER, SIGHT GLASS | | 19EA421782 | | -> |
| 25 | COVER (MOTOR SENSOR TERMINAL BOX) | | HX08FZ050 | | -> |
| 26 | EXTENSION (MOTOR SENSOR TERMINAL BOX) | | HX22FS036 | | -> |
| REAR BEARING ASSEMBLY | | | | | |
| 27 | DOWEL PIN | | AX11AR037 | | -> |
| 28 | SOCKET HEAD CAP SCREW | (5) | AA44AA177 | (5) | -> |
| 29 | SEAL RING, CARBON | | 19EA511512 | | -> |
| 30 | CONTACT RING | | 19EA511962 | | -> |
| 31 | LOCKNUT | | 19EA511362 | | -> |
| 32 | DOWEL PIN | (3) | 19EA512062 | (3) | -> |
| 33 | BEARING, BELL END | | 19EA511972 | | -> |
| 34 | O-RING | (3) | KK71G2041 | (3) | -> |
| 35 | O-RING | (2) | KK71GX060 | (2) | -> |
| 36 | BEARING HOUSING | | 19EA521024 | | -> |
| 37 | DOWEL PIN, PRESSURE PLATE | (3) | AX11AR130 | (3) | -> |
| 38 | O-RING | | KK71GX052 | | -> |
| 39 | O-RING | | KK71GX037 | | -> |
| 40 | PRESSURE PLATE | | 19EA5121013 | | -> |
| 41 | SPRING | | 19EA511952 | | -> |
| 42 | LABYRINTH | | 19EA521023 | | -> |
| 43A | SPRAY RING (D FRAME MOTOR ONLY) | | 19EA511194 | | -> |
| 43B | SPRAY RING (E FRAME MOTOR ONLY) | | 19FA5021014 | | -> |
| COMPRESSOR TRANSMISSION ASSEMBLY | | | | | |
| 44 | KEY, BEARING | | 17FA4021122 | | 17FA5021122 |
| 45A | GEAR & PINION PACKAGE (GEAR A) | | 19FA660010 | | 19FA660005 |
| 45B | GEAR & PINION PACKAGE (GEAR B) | | 19FA660001 | | 19FA660006 |
| 45C | GEAR & PINION PACKAGE (GEAR C) | | 19FA660002 | | 19FA660007 |
| 45D | GEAR & PINION PACKAGE (GEAR D) | | 19FA660003 | | 19FA660008 |

PARTS LIST CATALOG

PARTS LIST PAGE: 001

CATALOG NO. : REV.
SUPERSEDES : REV.

NOTE: SEE "CATALOG NOTES" ON LAST PAGE FOR EXPLANATION OF SYMBOLISM.



CENTRIFUGAL CHILLER
(SEMI HERMETIC)

19FA

SIZE: 004 005
SERIES: 0

| ITM | PART DESCRIPTION | 19FA004 | | 19FA005 | |
|--|---|--------------|-------------|--------------|-------------|
| | | ALL VOLTAGES | | ALL VOLTAGES | |
| COMPRESSOR TRANSMISSION ASSEMBLY | | | | | |
| 45E | GEAR & PINION PACKAGE (GEAR T) | 19FA660004 | | 19FA660009 | |
| 46 | WINDAGE BAFFLE | 17FA4021243 | | 17FA5021243 | |
| 47 | NOZZLE, SPRAY | (4) | 19EA411792 | -> | |
| 48 | SHAFT LABYRINTH | 17FA4022094 | | 17FA5022094 | |
| 49 | BEARING ASSEMBLY, BULL GEAR | 19FA402354 | | 19FA502354 | |
| 50A | BRG. ASY, PINION GEAR (FRAME C, D) | 17FA402314 | | X | |
| 50B | BRG ASY, PINION GEAR (FRAME A, B, T) | 17FA402324 | | X | |
| 50C | BRG ASY, PINION GEAR (FRAME A, B, C, T) | X | | 17FA502384 | |
| 50D | BRG ASY, PINION GEAR (FRAME D) | X | | 17FA502374 | |
| 51 | GEAR KEY | (2) | 17FA4021252 | (2) | 17FA5021252 |
| 52 | DEMISTOR | 19EA411063 | | -> | |
| 53 | SCREW | (6) | AC26AA126 | (6) | -> |
| 54 | COVER, DEMISTOR | 19EA411152 | | -> | |
| 55 | O-RING, DEMISTOR COVER | KK71G0031A | | -> | |
| 56 | SET SCREW | AE24AV164 | | -> | |
| 57 | O-RING (PINION/GEAR BRG OIL SUPPLY) | (2) | KK71GX010 | (2) | -> |
| COMPRESSOR ROTOR & BEARING ASSEMBLY | | | | | |
| 58A | 1ST STAGE LABYRINTH (A2 SHROUD) | 19FA4021163 | | X | |
| 58B | 1ST STAGE LABYRINTH (A3 SHROUD) | 19EA431413 | | 19FA532034 | |
| 58C | 1ST STAGE LABYRINTH (A4 SHROUD) | 19EA451413 | | 19FA542034 | |
| 58D | 1ST STAGE LABYRINTH (A5 SHROUD) | 19EA481413 | | 19FA552034 | |
| 58E | 1ST STAGE LABYRINTH (A6 SHROUD) | 19AE411363 | | 19AE562034 | |
| 59A | 2ND STAGE LABYRINTH (A2 SHROUD) | 19FA4021153 | | X | |
| 59B | 2ND STAGE LABYRINTH (A3 SHROUD) | 19EA421033 | | 19FA532044 | |
| 59C | 2ND STAGE LABYRINTH (A4 SHROUD) | 19EA441033 | | 19FA542044 | |
| 59D | 2ND STAGE LABYRINTH (A5 SHROUD) | 19EA461033 | | 19FA552044 | |
| 59E | 2ND STAGE LABYRINTH (A6 SHROUD) | 19EA421073 | | 19FA562044 | |
| 60 | LABYRINTH, BALANCING PISTON | SEE NOTE | | -> | |
| NOTE: YOU MUST CONTACT YOUR CARRIER REPRESENTATIVE IF YOU REQUIRE THE BALANCING PISTON LABRINTH FOR YOUR MACHINE. YOU MUST PROVIDE MACHINE SERIAL NUMBER TO INSURE THAT YOU OBTAIN CORRECT PART. | | | | | |
| 61 | O-RING | KK71GX022 | | KK71GX024 | |
| 62 | O-RING, SEAL HOUSING | KK71GX037 | | KK71G2051 | |
| 64 | CONTACT SEAL | 19EA411172 | | 19EA511172 | |
| 66A | CARBON SEAL RING (SSN 8/81) | 19EB4121003 | | 19EB5121012 | |
| 66B | CARBON SEAL RING (PSN 8/81) | 19EB4121003 | | 19EB5121012 | |
| NOTE: FOR THE FIRST TIME REPLACEMENT OF SEAL RING ON MACHINES SHIPPED PRIOR TO 8/81 A NEW SEAL HOUSING ASY IS ALSO REQUIRED. | | | | | |
| 67A | SHAFT SLEEVE (R12, R500) | 19EA411081 | | 19FA511892 | |
| 67B | SHAFT SLEEVE (R114 ONLY) | 17FA4021582 | | -> | |
| 68 | SEAL HOUSING ASSEMBLY | 19EB412102 | | 19EB512102 | |
| NOTE: FOR FIRST TIME REPLACEMENT OF SEAL HOUSING ASY ON MACHINES SHIPPED PRIOR TO 8/81 A NEW CARBON SEAL RING IS ALSO REQUIRED. INCLUDES: ITEMS 69-72. | | | | | |
| 69 | SPRING | (8) | 19EA411291 | (12) | -> |
| 70 | SPRING RETAINER | 19EA411392 | | 19FA511392 | |
| 71 | RETAINER RING | AU46AR975 | | AU46AR976 | |
| 72 | SEAL HOUSING | 19EB412102 | | 19EB512103 | |
| NOTE: FOR FIRST TIME REPLACEMENT OF SEAL HOUSING ON MACHINES SHIPPED PRIOR TO 8/81 A NEW CARBON SEAL RING IS ALSO REQUIRED. | | | | | |
| 73 | O-RING CARBON SEAL | KK71GX025 | | KK71GX031 | |
| 74 | SLINGER RING | 19EA411382 | | 19EA511382 | |
| 75 | DOWEL PIN | AX11AR037 | | -> | |
| 76 | RETAINER, BEARING | 17FA4021052 | | 17FA5021052 | |

PARTS LIST CATALOG

PARTS LIST PAGE: 002

CATALOG NO. : REV.
SUPERSEDES : REV.

NOTE: SEE "CATALOG NOTES" ON LAST PAGE FOR EXPLANATION OF SYMBOLISM.



CENTRIFUGAL CHILLER (SEMI HERMETIC)

| ITM | PART DESCRIPTION | 19FA004 | 19FA005 | | |
|--|---|---------------------|-----------------|--|--|
| | | ALL VOLTAGES | ALL VOLTAGES | | |
| COMPRESSOR ROTOR & BEARING ASSEMBLY | | | | | |
| 77 | SHIM,THRUST BEARING | 17FA402213 | 17FA502213 | | |
| 78 | KEY,THRUST BEARING | 17FA4021372 | -> | | |
| 79 | SEAL RING | 19EA411312 | 19EA511862 | | |
| 80 | SHAFT DISPLACEMENT DETECTOR | 19FA680006 | -> | | |
| 81 | DRIVE PIN | AX27AB122 | -> | | |
| 82 | MOUNTING RING ASSEMBLY | 17FA402143 | 17FA502143 | | |
| 83 | BEARING,COUNTER THRUST | 17FA402113 | 17FA502113 | | |
| 84 | JOURNAL BEARING ASSEMBLY | 17FA402123 | 17FA502123 | | |
| 85 | CHECK VALVE ORIFICE | 19EA41262 | -> | | |
| 86 | SHIM,IMPELLER | 19EA411111 | 19EA511882 | | |
| 87 | KEY,IMPELLER | 17FA4021362 | (6) 17FA5021362 | | |
| 88 | SPACER,IMPELLER | 19EA411372 | 19EA551372 | | |
| 89 | SHIM,IMPELLER | 19EA411101 | 19EA531882 | | |
| 90 | LOCKNUT,IMPELLER (LH THREAD) | 17FA4121602 | 17FA5121602 | | |
| 91 | SET SCREW,IMPELLER LOCKNUT | (2) AE17AR122 | (2) AE17AR166 | | |
| 92A | IMPELLER SHAFT(ALL GEARS EX TURB (T) | 17FA4021054 | 17FA5021054 | | |
| 92B | IMPELLER SHAFT (W/TURBINE (T) GEARS) | 17FA4021064 | 17FA5021054 | | |
| 94 | LOCKNUT,IMPELLER (RH THREAD) | 17FA4021602 | 17FA5021602 | | |
| 95 | SENSOR,THRUST BEARING | 17FA502402 | -> | | |
| THRUST BEARING ASSEMBLY | | | | | |
| 96 | THRUST BEARING ASSEMBLY | 17FA402354 | 17FA502354 | | |
| | INCLUDES ITEMS 97-102. | | | | |
| 97 | PAD,SPACER | (6) 19DA131261 | (8) 19EA512032 | | |
| 98 | LEVELING PAD | (12) 19D320052 | (16) 19EA520163 | | |
| 99 | BASE RING ASSEMBLY | 17FA402344 | 17FA502344 | | |
| 100 | SCREW,SOCKET HEAD | (6) AA44AA082 | (6) AA44AA104 | | |
| 101 | SHOE RETAINER ASSEMBLY | 17FA402103 | 17FA502103 | | |
| 102 | SHOE SET,THRUST BEARING | 17FA402212 | 17FA502212 | | |
| TERMINAL ARRANGEMENT | | | | | |
| 103AN | TERM. ARG. (LO-VOLT)(C & D MTRS) | 19EA41363 REF. ONLY | -> | | |
| | FOR REFERENCE ONLY!, REFER TO REPLACEMENT KIT 19EA660014. | | | | |
| 103B | TERM. PKG. KIT (LO-VOLT)(C & D MTRS) | 19EA660014 | -> | | |
| | INCLUDES: ITEMS 104-116. | | | | |
| 104A | TERMINAL BOARD (ORIG. EQUIPMENT) | (3) 19EA421183 | (3) -> | | |
| 104B | TERMINAL BOARD (INCLUDED IN KIT) | (3) 19EA421573 | (3) -> | | |
| 105 | PACKING GLAND | (3) 19EA411142 | (3) -> | | |
| 106A | TERMINAL STUD (ORIG. EQUIPMENT) | (6) 19EF5021023 | (6) -> | | |
| 106B | TERMINAL STUD (INCLUDED IN KIT) | (6) 19EA42353 | (6) -> | | |
| 107 | JAM NUT (1-1/4) | (36) AT14QA361 | (36) -> | | |
| 108A | PACKING RING (ORIGINAL EQUIPMENT) | (6) 19FA5021232 | (6) -> | | |
| 108B | PACKING RING (INCLUDED IN KIT) | (6) 19EA412432 | (6) -> | | |
| 109 | HEX HEAD SCREW | (30) AA06BS235 | (30) -> | | |
| 110 | WASHER,BRASS | (30) AU02AB242 | (30) -> | | |
| 111 | WASHER,PLAIN (GALV) | (18) AU02QA361 | (18) -> | | |
| 112A | QUAD RING (ORIGINAL EQUIPMENT) | (3) KK71ZR001 | (3) -> | | |
| 112B | QUAD RING (INCLUDED IN KIT) | (3) KK74ZN687 | (3) -> | | |
| 113 | WASHER,SPRING (BELLEVILLE) | (6) AU51AS541 | (6) -> | | |
| 116N | PLATE,LEAD RETAINER | 19EA412422 | -> | | |
| 117 | TERM. ARG.(LO-VOLT)(E MOTORS) | 19FA502203 REF.ONLY | -> | | |
| | FOR REFERENCE ONLY!, REFER TO REPLACEMENT KIT 19FA660026. | | | | |
| 118 | TERM. PACKAGE KIT (LO-VOLT) (E MOTOR | 19FA660026 | -> | | |
| | INCLUDES: ITEMS 119-128. | | | | |
| 119 | TERMINAL BOARD | (3) 19FA5021013 | (3) -> | | |
| 120 | PACKING GLAND | (6) 19FA5021012 | (6) -> | | |

PARTS LIST CATALOG

PARTS LIST PAGE: 003

CATALOG NO. : REV.
SUPERSEDES : REV.

NOTE: SEE "CATALOG NOTES" ON LAST PAGE FOR EXPLANATION OF SYMBOLISM.



CENTRIFUGAL CHILLER
(SEMI HERMETIC)

19FA

SIZE: 004 005
SERIES: 0

| ITM | PART DESCRIPTION | 19FA004 | | 19FA005 | |
|---|--|--------------|------------------|--------------|----|
| | | ALL VOLTAGES | | ALL VOLTAGES | |
| TERMINAL ARRANGEMENT | | | | | |
| 121 | TERMINAL STUD | (6) | 19FA502102 | (6) | -> |
| 122 | JAM NUT (1-1/4) | (42) | AT14QA481 | (42) | -> |
| 123 | PACKING RING | (6) | 19FA5021032 | (6) | -> |
| 124 | HEX. HEAD SCREW | (42) | AA06BS236 | (42) | -> |
| 125 | WASHER,PLAIN (GALV) | (42) | AU02AB242 | (42) | -> |
| 126 | WASHER,BRASS | (18) | AU02QA481 | (18) | -> |
| 127 | WASHER,SPRING (BELLEVILLE) | (6) | AU51AS781 | (6) | -> |
| 128 | QUAD RING | (3) | KK71GW073 | (3) | -> |
| 129A | TERMINAL ARRANGEMENT (C & D MOTORS) | | 19EA51363 (NLA) | | -> |
| NOTE: IF A COMPLETE NEW HIGH VOLTAGE TERMINAL ASY. IS REQUIRED REFER TO SERVICE BULLETIN C9732 OR KITS 19EF660001 (ITEM #184) AND 19EF660002 (ITEM #190). | | | | | |
| 129B | TERMINAL ARRANGEMENT (E MOTORS) | | 19FA502193 (NLA) | | -> |
| 130A | O-RING (C & D MOTORS) | | KK71ZR001 | | -> |
| 130B | O-RING (E MOTORS) | | KK71GW073 | | -> |
| 131A | WASHER (C & D MOTORS) | (10) | AU02AB242 | (10) | -> |
| 131B | WASHER (E MOTORS) | (14) | AU02AB242 | (14) | -> |
| 132A | TERMINAL BOARD (C & D MOTORS) | | 19EF4021013 | | -> |
| NOTE: A NEW TERMINAL INSULATOR KIT NO. 19EF680001 MUST BE ORDERED FOR FIRST TIME TERMINAL BOARD REPEACEMENT. | | | | | |
| 132B | TERMINAL BOARD (E MOTORS) | | 19EF5021013 | | -> |
| NOTE: A NEW TERMINAL INSULATOR KIT NO. 19EF680001 MUST BE ORDERED FOR FIRST TIME TERMINAL BOARD REPEACEMENT. | | | | | |
| 133A | CAP SCREW,HEX HEAD (C & D MOTORS) | (10) | AA06BS235 | (10) | -> |
| 133B | CAP SCREW,HEX HEAD (E MOTORS) | (14) | AA06BS236 | (14) | -> |
| 134 | TERMINAL INSULATOR | | 19FA680013 | | -> |
| 135A | TERMINAL RETAINER (C & D MOTORS) | (2) | 19EA4021042 | (2) | -> |
| 135B | TERMINAL RETAINER (E MOTORS) | (2) | 19FA5021242 | (2) | -> |
| 136 | PACKING RING | | 19FA5021232 | | -> |
| 137 | JAM NUT | | AT14QA311 | | -> |
| 139 | PACKING NUT | | 19FA680013 | | -> |
| 140 | TERMINAL ADAPTER (.611 O.D. CABLE) | | 19EA41004 | | -> |
| 141 | TERMINAL ADAPTER (.789 O.D. CABLE) | | 19EA41005 | | -> |
| 142A | TERMINAL ARRANGEMENT (C & D MOTORS) | | 19EA402123 (NLA) | | -> |
| NOTE: IF A COMPLETE NEW HIGH VOLTAGE TERMINAL ASY. IS REQUIRED REFER TO SERVICE BULLETIN C9732 OR KITS 19EF660001 (ITEM #184) AND 19EF660002 (ITEM #190). | | | | | |
| 142B | TERMINAL ARRANGEMENT (E MOTORS) | | 19EA502123 (NLA) | | -> |
| 143A | O-RING (C & D MOTORS) | | KK71ZR001 | | -> |
| 143B | O-RING (E-MOTORS) | | KK71GW073 | | -> |
| 144A | WASHER,PLAIN (3/8) (C & D MOTORS) | (10) | AU02AB242 | (10) | -> |
| 144B | WASHER,PLAIN (3/8) (E MOTORS) | (14) | AU02AB242 | (14) | -> |
| 145A | TERMINAL BOARD (PLASTIC)(C & D MOTORS) | | 19EF4021013 | | -> |
| NOTE: A NEW TERMINAL INSULATOR KIT NO. 19EF680001 MUST BE ORDERED FOR FIRST TIME TERMINAL BOARD REPEACEMENT. | | | | | |
| 145B | TERMINAL BOARD (PLASTIC)(E MOTORS) | | 19EF5021013 | | -> |
| NOTE: A NEW TERMINAL INSULATOR KIT NO. 19EF680001 MUST BE ORDERED FOR FIRST TIME TERMINAL BOARD REPEACEMENT. | | | | | |
| 146A | CAPSCREW,HEX HEAD (C & D MOTORS) | (10) | AA06BS235 | (10) | -> |
| 146B | CAPSCREW,HEX HEAD (E MOTORS) | (14) | AA06BS236 | (14) | -> |
| 147 | TERMINAL INSULATOR/PACKING NUT KIT | | 19EF680002 | | -> |
| 148 | TERMINAL RETAINER | (2) | 19EA4021042 | (2) | -> |
| 149 | PACKING RING | | 19EA4021052 | | -> |
| 149A | PACKING RING | | 1919FA5021232 | | -> |

PARTS LIST CATALOG

PARTS LIST PAGE: 004

CATALOG NO.: REV.
SUPERSEDES: REV.

NOTE: SEE "CATALOG NOTES" ON LAST PAGE FOR EXPLANATION OF SYMBOLISM.



CENTRIFUGAL CHILLER (SEMI HERMETIC)

SIZE: 004 005
SERIES: 0

| ITEM | PART DESCRIPTION | 19FA004 | 19FA005 | | |
|--|-------------------------------------|------------------|--------------|--|--|
| | | ALL VOLTAGES | ALL VOLTAGES | | |
| TERMINAL ARRANGEMENT | | | | | |
| 150 | JAM NUT | AT14QA311 | -> | | |
| 151 | TERMINAL RETAINER | 19FA5021242 | -> | | |
| 152 | PACKING NUT/TERMINAL INSULATOR KIT | 19EF680002 | -> | | |
| 153 | TERMINAL ADAPTER (.611 O.D. CABLE) | 19EA41004 | -> | | |
| 154 | TERMINAL ADAPTER (.789 O.D. CABLE) | 19EA41005 | -> | | |
| 155A | TERMINAL ARG (2300-4160V)(D MOTORS) | 19EA402173 (NLA) | -> | | |
| NOTE: IF A COMPLETE NEW HIGH VOLTAGE TERMINAL ASY. IS REQUIRED REFER TO SERVICE BULLETIN C9732 OR KITS 19EF660001 (ITEM #184) AND 19EB660002 (ITEM #190). | | | | | |
| 155B | TERMINAL ARG (2300-4160V)(E MOTORS) | 19EA502173 (NLA) | -> | | |
| 156A | QUAD RING (D MOTORS) | KK742W487 | -> | | |
| 156B | O-RING (E MOTORS) | KK71G073 | -> | | |
| 158A | WASHER (D MOTORS) | (10) AU02AB242 | (10) -> | | |
| 158B | WASHER (E MOTORS) | (14) AU02AB242 | (14) -> | | |
| 159A | TERMINAL BOARD (D MOTORS) | 19EF4021013 | -> | | |
| 159B | TERMINAL BOARD (E MOTORS) | 19EF5021013 | -> | | |
| 160A | CAP SCREW,HEX HEAD (D MOTORS) | (10) AA06BS235 | (10) -> | | |
| 160B | CAP SCREW,HEX HEAD (E MOTORS) | (14) AA06BS236 | (14) -> | | |
| 161 | TERMINAL INSULATOR/PACKING NUT KIT | 19EF680001 | -> | | |
| 162 | TERMINAL RETAINER | (2) 19FA5021242 | (2) -> | | |
| 163 | PACKING RING | 19FA5021232 | -> | | |
| 164 | JAM NUT | AT14QA311 | -> | | |
| 165 | PACKING NUT/TERMINAL INSULATOR KIT | 19EF680001 | -> | | |
| 166 | O-RING | KK71G015 | -> | | |
| 167 | TERMINAL ADAPTER (.611 O.D. CABLE) | 19EA41004 | -> | | |
| 168 | TERMINAL ADAPTER (.789 O.D. CABLE) | 19EA41005 | -> | | |
| 169A | TERMINAL ARG (6900V)(D MOTORS) | 19EA402163 (NLA) | -> | | |
| NOTE: IF A COMPLETE NEW HIGH VOLTAGE TERMINAL ASY. IS REQUIRED REFER TO SERVICE BULLETIN C9732, OR KITS 19EB660001 (ITEM #184) AND 19EB660002 (ITEM #190). | | | | | |
| 169B | TERMINAL ARG (6900V)(E MOTORS) | 19EA502163 (NLA) | -> | | |
| 170A | QUAD RING (D MOTORS) | KK742W487 | -> | | |
| 170B | O-RING (E MOTORS) | KK74G073 | -> | | |
| 171A | WASHER (D MOTORS) | (10) AU02AB242 | (10) -> | | |
| 171B | WASHER (E MOTORS) | (14) AU02AB242 | (14) -> | | |
| 172A | TERMINAL BOARD (D MOTORS) | 19EF4021013 | -> | | |
| 172B | TERMINAL BOARD (E MOTORS) | 19EF5021013 | -> | | |
| 173A | CAP SCREW,HEX HEAD (D MOTORS) | (10) AA06BS235 | (10) -> | | |
| 173B | CAP SCREW,HEX HEAD (E MOTORS) | (14) AA06BS236 | (14) -> | | |
| 174 | TERMINAL INSULATOR/PACKING NUT KIT | 19EF680002 | -> | | |
| 175 | TERMINAL RETAINER | (3) 19FA5021242 | (3) -> | | |
| 176 | PACKING RING | 19EA4021052 | -> | | |
| 176A | PACKING RING | 19FA5021232 | -> | | |
| 177 | JAM NUT | AT14QA311 | -> | | |
| 178 | TERMINAL RETAINER | (2) 19FA4021042 | (2) -> | | |
| 179 | PACKING NUT/TERMINAL INSULATOR KIT | 19EF680002 | -> | | |
| 180 | O-RING | KK71G015 | -> | | |
| 182 | TERMINAL ADAPTER (.611 O.D. CABLE) | 19EA41004 | -> | | |
| 183 | TERMINAL ADAPTER (.789 O.D. CABLE) | 19EA41005 | -> | | |
| 184 | MOTOR TERMINAL KIT (HI-VOLTAGE) | 19EF660001 | -> | | |
| NOTE: THIS IS A COMPLETE TERMINAL BOARD & TERMINAL INSULATOR REPLACEMENT KIT FOR ALL "D" MOTORS EXCEPT "DK","DM","DP" MOTORS. INCLUDES: ITEMS 185-189. | | | | | |
| 185 | TERMINAL BOARD | (3) 02EX45000201 | (3) -> | | |

PARTS LIST CATALOG

PARTS LIST PAGE: 005

CATALOG NO.: REV.
SUPERSEDES: REV.

NOTE: SEE "CATALOG NOTES" ON LAST PAGE FOR EXPLANATION OF SYMBOLISM.



CENTRIFUGAL CHILLER
(SEMI HERMETIC)

19FA

SIZE: 004 005
SERIES: 0

| ITM | PART DESCRIPTION | 19FA004 | | 19FA005 | |
|--|---------------------------------------|--------------|--------------|--------------|------------|
| | | ALL VOLTAGES | | ALL VOLTAGES | |
| TERMINAL ARRANGEMENT | | | | | |
| 186 | TERMINAL INSULATOR | (3) | 02XB05003001 | (3) | -> |
| 186A | O-RING,INNER | | KK71EW325 | | -> |
| 186B | O-RING,OUTER | | KK71EW311 | | -> |
| 186C | TERMINAL REBUILD KIT | | 19XR660018 | | -> |
| 186D | TERMINAL STUD | | 19XR660019 | | -> |
| 187 | QUAD RING | (3) | KK74ZW487 | (3) | -> |
| 188 | BOLT | (30) | AA06BS234 | (30) | -> |
| 189 | WASHER,PLAIN | (10) | AU02AB242 | (10) | -> |
| 190 | MOTOR TERMINAL KIT (HI-VOLTAGE) | | 19EF660002 | | -> |
| NOTE: THIS IS A COMPLETE TERMINAL BOARD & TERMINAL INSULATOR REPLACEMENT KIT FOR ALL "E" MOTORS PLUS "DK","DM","DP" MOTORS. INCLUDES: ITEMS 191-195. | | | | | |
| 191 | TERMINAL BOARD | (3) | 02EX55006201 | (3) | -> |
| 192 | TERMINAL INSULATOR | (3) | 02XB05003001 | (3) | -> |
| 192A | O-RING,INNER | | KK71EW325 | | -> |
| 192B | O-RING,OUTER | | KK71EW311 | | -> |
| 192C | TERMINAL REBUILD KIT | | 19XR660018 | | -> |
| 192D | TERMINAL STUD | | 19XR660019 | | -> |
| 193 | O-RING | (3) | KK71GN073 | (3) | -> |
| 194 | BOLT | (42) | AA06BS234 | (42) | -> |
| 195 | WASHER,PLAIN | (14) | AU02AB242 | (14) | -> |
| GUIDE VANE & BLADE RING | | | | | |
| 196 | VANE DRIVE ARRANGEMENT (PNEUMATIC) | | NSS | | -> |
| 197 | PNEUMATIC PRESS SWITCH | | HK02CE014 | | -> |
| 198A | ACTUATOR (ELECTRIC DRIVE) | | 17FA4122174 | | -> |
| 198B | ACTUATOR (TURBINE DRIVE) | | 17FA4022174 | | -> |
| 199 | CONNECTOR BLOCK | | 17FA4021162 | | -> |
| 200 | PIN,CLEVIS | | AX16AA175 | | -> |
| 201 | BRACKET | | 17FA4021172 | | -> |
| 202 | THREADED ROD | | 17FA4021192 | | -> |
| 203 | ROD END BEARING | | KT86UC020 | | -> |
| 204A | CRANK ARM (ALL GEAR SIZES) | | 17FA4021182 | | X |
| 204B | CRANK ARM (A,B,D & T) (W/T< 5800 RPM) | | X | | 17FA502332 |
| 204C | CRANK ARM (C & T) (W/T> 5800 RPM) | | X | | 17FA512332 |
| 205 | SPEED CONTROL VALVE | | 17FA5021882 | | -> |
| 206 | GUIDE VANE ASY (ELECTRONIC CNTRLS) | | NSS | | -> |
| 207 | MOTOR | | HF26BB061 | | -> |
| 208 | POTENTIOMETER | | HT26AV120 | | -> |
| 209A | CRANK ARM (UPPER) (CAST) | | 19D212152 | | -> |
| 209B | CRANK ARM (UPPER) (STEEL) | | 19DM2121312 | | -> |
| 209C | CRANK ARM (LOWER) (CAST) | | 19D232152 | | -> |
| 209D | CRANK ARM (LOWER) (STEEL) | | 19DM2121322 | | -> |
| 210 | SET SCREW 5/16 | (4) | AA12AA196 | (4) | -> |
| 211 | LINKAGE CONNECTOR | | HF91BB115 | | -> |
| 212 | PUSH ROD | | 19EA411331 | | -> |
| 213 | BUSHING (7/8 DIA,INTERNAL SPLINE) | | 19EB4021042 | | -> |
| 214 | ROLL PIN | | AX16CA044 | | -> |
| 215 | KEY | | 19D211391 | | -> |
| 216 | "V" RING ASSEMBLY (PRESSURE) | | KK71HT016 | | -> |
| 217 | "V" RING ASSEMBLY (VACUUM) | | KK71HT014 | | -> |
| 218 | SEAL HOUSING | | 19EA411022 | | -> |
| 219 | GASKET | | 19EA411021LA | | -> |
| 220 | SEAL RETAINER | | 19EA421042 | | -> |
| 221 | BEARING HOUSING | | 19EA411032 | | -> |

PARTS LIST CATALOG

PARTS LIST PAGE: 006

CATALOG NO. : REV.
SUPERSEDES : REV.

NOTE: SEE "CATALOG NOTES" ON LAST PAGE FOR EXPLANATION OF SYMBOLISM.



CENTRIFUGAL CHILLER (SEMI HERMETIC)

| ITM | PART DESCRIPTION | 19FA004 | 19FA005 | | |
|------------------------------------|---------------------------------------|----------------|----------------|--|--|
| | | ALL VOLTAGES | ALL VOLTAGES | | |
| GUIDE VANE & BLADE RING | | | | | |
| 222 | BUSHING | KT53XL093 | -> | | |
| 223 | HEX HEAD CAP SCREW | (2) AA06GR237 | (2) -> | | |
| 224 | PELLET | 19EA411031 | -> | | |
| 225 | WASHER | AU51YA391 | -> | | |
| 226 | DRIVE PULLEY SHAFT | 19EA431052 | 19EA531052 | | |
| 227 | MOTOR,ACTUATOR (CHAIN DRIVE) | X | 19EB511123 | | |
| | INCLUDES: ITEMS 228. | | | | |
| 228 | POTENTIOMETER (CHAIN DRIVE) | X | HT24A2120 | | |
| 229 | SET SCREW | X | (2) AE12AA196 | | |
| 230A | SPROCKET (A,B,D & T) (W/T < 5800 RPM) | X | 17FA5021692 | | |
| 230B | SPROCKET (C & T) (W/T > 5800 RPM) | X | 17FA5221692 | | |
| 231 | CHAIN | X | 19FA660016 | | |
| 232A | SPROCKET,A,B,D (T W/RPM< 5800)GEARS | X | 17FA5121543 | | |
| 232B | SPROCKET,C & T W/RPM> 5800)GEARS | X | 17FA5121593 | | |
| 233 | KEY (CHAIN DRIVE) | X | 17FA5021782 | | |
| 234 | SPROCKET HUB (CHAIN DRIVE) | X | 17FA5021583 | | |
| 235A | GUIDE VANE ASSEMBLY (A2 SHROUD) | 19FA402263 | X | | |
| 235B | GUIDE VANE ASSEMBLY (A3 SHROUD) | 19EA43467 | 19EA53467 | | |
| 235C | GUIDE VANE ASSEMBLY (A4 SHROUD) | 19EA45467 | 19EA55467 | | |
| 235D | GUIDE VANE ASSEMBLY (A5 SHROUD) | 19EA47467 | 19EA57467 | | |
| 235E | GUIDE VANE ASSEMBLY (A6 SHROUD) | 19EA49467 | 19EA59467 | | |
| | INCLUDES: ITEMS 236-247. | | | | |
| 236 | CABLE ASSEMBLY | 19EA43102 | 19EA51102 | | |
| 237 | PRE-WHIRL BLADE PACKAGE | 19EA660016 | 19EA660017 | | |
| | INCLUDES: ITEMS 238-241. | | | | |
| 238 | BLADE,PREWHIRL | 19EA42418 | 19EA52418 | | |
| 239 | BLADE PULLEY | 19EA412142 | 19EA512142 | | |
| 240 | CAPSCREW,HEXHEAD | AA13BR294 | AA13BR295 | | |
| 241 | WASHER | 19EA412592 | -> | | |
| 242 | BUSHING,PRE-WHIRL BLADE | (14) KT53XL093 | (14) KT53XL102 | | |
| 243 | BUSHING,IDLER PULLEY | (7) KT53XL055 | (7) KT53XL065 | | |
| 244 | RING,RETAINER | (14) AU48AR061 | (14) AU48AR062 | | |
| 245 | PIN,IDLER PULLEY | (7) 19EA431001 | (7) 19EA512022 | | |
| 246 | IDLER PULLEY | (7) 19D211252 | (7) 19C476131 | | |
| 247 | DRIVE PULLEY | 19EA411003 | 19EA511003 | | |
| 247A | WASHER,THRUST | (7) AU02AA332 | (7) -> | | |
| LUBRICATION PACKAGE | | | | | |
| 248 | COVER,ELECTRICAL BOX | 02EX55004301 | -> | | |
| 249 | CHECK VALVE | EC33BC331 | EC33BC391 | | |
| 250 | BALL VALVE | EP12BH331 | EP71CQ421 | | |
| 251 | TERMINALS (BRG TEMP/SHAFT MOVEMENT) | (4) HY85FP041 | (4) -> | | |
| 252 | SIGHT GLASS | (2) KM36BQ199 | -> | | |
| 253 | TEMPERATURE GAUGE | KM14BC222 | -> | | |
| 254 | TEMP SWITCH,OIL HEATER | HH16NA105 | -> | | |
| 255 | PILOT LIGHT,OIL HEATER | HY19AD026 | -> | | |
| 256 | OIL HEATER | 17FA4021363 | -> | | |
| 257 | GASKET,OIL HEATER (INSIDE) | (2) 17FA680001 | (2) -> | | |
| 257A | COVER,CRANKCASE HEATER BOX | 02EX55003101 | -> | | |
| 258 | FILTER ASSEMBLY | 19FA660031 | (2) -> | | |
| | INCLUDES: ITEMS 259-263. | | | | |
| 259 | FILTER GUIDE ASY | 17FA402372 | (2) -> | | |
| 260 | FILTER CARTRIDGE | (2) 17S40001 | (4) -> | | |
| 261 | STOPPER ASY | 19EA41512 | (2) -> | | |
| 262 | SPRING,COMPRESSION | 17FA4021992 | (2) -> | | |

PARTS LIST CATALOG

PARTS LIST PAGE: 007

CATALOG NO.: REV.
SUPERSEDES: REV.

NOTE: SEE "CATALOG NOTES" ON LAST PAGE FOR EXPLANATION OF SYMBOLISM.



CENTRIFUGAL CHILLER
(SEMI HERMETIC)

19FA

SIZE: 004 005
SERIES: 0

| ITM | PART DESCRIPTION | 19FA004 | 19FA005 | | |
|--------------------------------------|--|------------------|--------------|-------------|--|
| | | ALL VOLTAGES | ALL VOLTAGES | | |
| LUBRICATION PACKAGE | | | | | |
| 263 | FILTER HOUSING | KH330A102 | (2) | -> | |
| 264 | VALVE,CHARGING | 7792B | | -> | |
| 265N | FLANGE,ADAPTER 1 1/8" ODS | 19FA416732 | | -> | |
| 266N | FLANGE,ADAPTER 1 1/8" ODT | (3) DK24CA712 | (3) | -> | |
| 267 | OIL COOLER | 17DA712012 | | 17EA9021723 | |
| 268 | GASKET,OIL COOLER | 19FA680004 | | 19FA680005 | |
| 269 | SOLENOID VALVE (OIL COOLER) | EF23CM301 | | -> | |
| 270 | VALVE,PLUG 1" (OIL COOLER) | EV01CZ305 | | -> | |
| 270A | RUBBER STRIP | (4) 19EF5021222 | (4) | -> | |
| OIL PUMP & MOTOR ASSEMBLY | | | | | |
| 271AN | OIL PUMP/MTR (200/208-60;220/240-60) | 17FA1012221 | | -> | |
| 271BN | OIL PUMP/MTR (440/480-60;380/415-50) | 17FA1012222 | | -> | |
| 271C | OIL PUMP/MTR (550/660-60) | 17FA502244 | | -> | |
| | INCLUDES: ITEMS 272-290. | | | | |
| | NOTE: THERE WERE (3) POSSIBLE OIL PUMP ASSEMBLY VARIATIONS USED ON THESE UNITS.AFTER DETERMINING WHICH DESIGN YOU HAVE YOU CAN SELECT THE REQUIRED SERVICE PARTS BY THE DESIGN NUMBER LISTED FOLLOWING WERE USED ON ALL (3) DESIGNS. REFER TO SERVICE BULLETIN C9402 IF A COMPLETE NEW OIL PUMP IS REQUIRED. | | | | |
| 272 | TERMINAL PKG | 19DA660003 | | -> | |
| | NOTE: TERMINAL PACKAGE TO BE USED ON MACHINES SHIPPED PRIOR TO 10/77. | | | | |
| 273 | HEXHEAD CAPSCREW | AA44AA203 | | -> | |
| 274A | O-RING (DESIGN 1) | KK71GZ085 | | -> | |
| 274B | O-RING (DESIGN 2,3) | KK71GZ087 | | -> | |
| 276 | CLAMPING RING | 19D211011 | | -> | |
| 277A | SHAFT,OIL PUMP (DESIGN 3) | 17FA4221023 | | -> | |
| | NOTE: IF ORDERING SHAFT FOR DESIGNS 1 & 2 FOR THE FIRST TIME A NEW OIL PUMP COVER AND OIL PUMP HOUSING MUST ALSO BE ORDERED. | | | | |
| 277B | SHAFT,OIL PUMP (DESIGN 1) | NLA | | -> | |
| 277C | SHAFT,OIL PUMP (DESIGN 2) | NLA | | -> | |
| 278 | BUSHING,SHAFT | 19D211011 | | -> | |
| 279 | O-RING,MOTOR COVER | KK71GZ065 | | -> | |
| 280 | NEEDLE BEARING | KT55ZU100 | | -> | |
| 281A | COVER,OIL PUMP (DESIGN 3) | 17FA4121603 | | -> | |
| 281B | COVER,OIL PUMP (DESIGN 1,2) | NLA | | -> | |
| 282 | COVER PLATE,BEARING(DESIGN 2 ONLY) | NLA | | -> | |
| 283 | DOWEL PIN | (2) AX11AR172 | (2) | -> | |
| 284 | VANE,PUMP | (4) 17FA4021022 | (4) | -> | |
| 285A | OIL PUMP HOUSING (DESIGN 3) | 17FA4222684 | | -> | |
| 285B | OIL PUMP HOUSING (DESIGN 1,2) | NLA | | -> | |
| 286 | DOWEL PIN | (2) AX11AR168 | (2) | -> | |
| 287 | PISTON,RELIEF VALVE | 17FA4021013 | | -> | |
| 288 | SPRING,RELIEF VALVE | 17FA4121002 | | -> | |
| 289 | O-RING,RELIEF VALVE HOUSING | KK71GZ025 | | -> | |
| 290 | SCREW,ROTOR LOCKING | AE17AR166 | | -> | |
| SENSOR MODULE CONTROLS (32SH) | | | | | |
| 291 | CONTROL ASY,PNEUMATIC | 17FA116114 (NLA) | | -> | |
| | INCLUDES: ITEMS 292-363. | | | | |
| 292 | LOCK,CAM W/KEYS | KA19WL010 | | -> | |
| 293 | GAUGE,PRESSURE (COND & COOL) | (2) KM03AF362 | (2) | -> | |
| 294 | GAUGE,OIL DIFFERENTIAL | KM05BH220 | | -> | |
| 295 | SWITCH,LOW OIL PRESSURE | HK06CB402 | | -> | |
| 296 | SWITCH,COND. HI-PRESSURE CUTOUT | HK01UA183 | | -> | |
| 297 | TERMINAL BLOCK | HY84EG002 | | -> | |

PARTS LIST CATALOG

PARTS LIST PAGE: 008

CATALOG NO. : REV.
SUPERSEDES : REV.

NOTE: SEE "CATALOG NOTES" ON LAST PAGE FOR EXPLANATION OF SYMBOLISM.



CENTRIFUGAL CHILLER (SEMI HERMETIC)

SIZE: 004 005
SERIES: 0

| ITM | PART DESCRIPTION | 19FA004 | 19FA005 | | |
|--------------------------------------|---|----------------------|--------------|--|--|
| | | ALL VOLTAGES | ALL VOLTAGES | | |
| SENSOR MODULE CONTROLS (32SH) | | | | | |
| 298A | ELAPSE TIME INDICATOR (60HZ) | 19EA660035 | -> | | |
| 298B | ELAPSE TIME INDICATOR (50HZ) | HK28DG116 | -> | | |
| 300 | TERMINAL BLOCK | HY84EF060 | -> | | |
| 301 | SWITCH,PUSH BUTTON (ON/STOP) | HR52ZD040 | -> | | |
| 302 | SWITCH,PUSH BUTTON (START/OIL PUMP) | (2) HR54ZA020 | (2) -> | | |
| 303 | LIGHT,INDICATOR (PNR/SAFETY/LOAD/P) | (4) HY19MM020 | (4) -> | | |
| 304 | MODULE,CONTROL | (2) HN65BJ090 | (2) -> | | |
| 305 | TRANSDUCER | HK05GG001 | -> | | |
| 306 | CONTROLLER,LOAD LIMITING | HK30JG010 | -> | | |
| 307 | SELECTOR RELAY,LOW PRESSURE | HN70TZ069 | -> | | |
| 308 | MODULE ASY,RELAY (DESIGN 2) | 32SM400694 | -> | | |
| | INCLUDES: ITEMS 309-315. | | | | |
| 309 | LIGHT ASY,INDICATING (BRG & MTR) | (2) 32SM400702 | (2) -> | | |
| 310 | TIMER,ELECTRICAL SEQUENCE | HK25ZD030 | -> | | |
| 311 | RELAY (KM,KB,K3) | (3) HN61KL615 | (3) -> | | |
| 312 | RELAY (K1) | HN61KL615 | -> | | |
| 313 | RELAY (K2) | HN61KL616 | -> | | |
| 314 | FUSE HOLDER | HTA-DD-00 | -> | | |
| 315 | FUSE (3 AMP) | AGC3 | -> | | |
| 316 | MODULE ASY,CONTROL (DESIGN 1) | 32SM400494(SEE NOTE) | -> | | |
| | NOTE: RELAY MODULE ASY DESIGN 1 IS NO LONGER AVAILABLE. FOR NEW RELAY | | | | |
| | MODULE ASY SEE DESIGN 2. WHEN CONVERTING FROM DESIGN 1 TO | | | | |
| | DESIGN 2 USE KIT NUMBER 32SM660004. | | | | |
| | INCLUDES: ITEMS 317-323. | | | | |
| 317 | CIRCUIT BREAKER | (2) HH83XH110 | (2) -> | | |
| 318 | RESISTOR | HT21AU100 | -> | | |
| 319 | RELAY,TIME DELAY | 19EA41611 | -> | | |
| 320 | TIMER,PROGRAM | HK25BB020 | -> | | |
| 321 | RELAY | (5) HN61KL616 | (5) -> | | |
| 322 | FUSE HOLDER | AGC3 | -> | | |
| 323 | FUSE (3 AMP) | HTB84I | -> | | |
| 324 | MODULE ASY,CONTROL (TURBINE DRIVE) | 17FA106113 | -> | | |
| | INCLUDES: ITEMS 325-331. | | | | |
| 325 | RELAY (KB) | HN61KL616 | -> | | |
| 326 | RELAY (K1 & K2) | (2) HN61KL615 | (2) -> | | |
| 327 | RECEPTACLE,RELAY | (3) HY07RB008 | (3) -> | | |
| 328 | CIRCUIT BREAKER | HH83XH110 | -> | | |
| 329 | RESISTOR,FIXED (100 OHM) | HT21AU100 | -> | | |
| 330 | FUSE HOLDER | HKP-HH | -> | | |
| 331 | FUSE (3 AMP) | AGC3 | -> | | |
| 332 | RELAY,TIME DELAY (TURBINE DRIVE) | HN67BQ010 | -> | | |
| 333 | SWITCH,TOGGLE (TURBINE DRIVE) | HR53ZA035 | -> | | |
| 334 | TRANSFORMER (OLD STYLE PNEU.) | (2) HT01CN001 | (2) -> | | |
| 335 | SWITCH,PUSH BUTTON (OLD STYLE PNEU) | HR54ZA001 | -> | | |
| 337 | LIGHT,INDICATOR (OLD STYLE PNEU.) | HN65BJ003 | -> | | |
| 338 | CONTROL ASY,ELECTRONIC | 19EA416114 (NLA) | -> | | |
| | INCLUDES: ITEMS 339-371. | | | | |
| 339 | LOCK,CAM W/KEYS | KA19NL010 | -> | | |
| 340 | GAUGE,PRESSURE (COND & COOL) | (2) KM03AF362 | (2) -> | | |
| 341 | GAUGE,OIL DIFFERENTIAL | KM05BW220 | -> | | |
| 342 | SWITCH,LOW OIL PRESSURE | HK06CB402 | -> | | |
| 343 | SWITCH,COND. HI-PRESSURE CUTOUT | HK01UA183 | -> | | |
| 344 | TERMINAL BLOCK | HY84EF060 | -> | | |
| 345A | ELAPSE TIME INDICATOR (60HZ) | 19EA660035 | -> | | |

PARTS LIST CATALOG

PARTS LIST PAGE: 009

CATALOG NO.: REV.
SUPERSEDES: REV.

NOTE: SEE "CATALOG NOTES" ON LAST PAGE FOR EXPLANATION OF SYMBOLISM.



CENTRIFUGAL CHILLER
(SEMI HERMETIC)

19FA

SIZE: 004 005
SERIES: 0

| ITM | PART DESCRIPTION | 19FA004 | | 19FA005 | |
|---------------------------------------|--|--------------|----------------------|--------------|----|
| | | ALL VOLTAGES | | ALL VOLTAGES | |
| SENSOR MODULE CONTROLS (32SM) | | | | | |
| 345B | ELAPSE TIME INDICATOR (50HZ) | | HK28DG116 | | -> |
| 346 | MODULE,CAPACITY CONTROL | | 32SM500704 | | -> |
| 347 | TERMINAL BLOCK | | HY84EG002 | | -> |
| 348 | SWITCH,PUSH BUTTON (ON/STOP) | | HR52ZD040 | | -> |
| 349 | SWITCH,PUSH BUTTON (START/OIL PUMP) | (2) | HR52ZA020 | (2) | -> |
| 350 | LIGHT,INDICATOR (PWR/SAFETY/LOAD/P | (4) | HY19MH020 | (4) | -> |
| 351 | MODULE,CONTROL | (2) | HN65BJ090 | (2) | -> |
| 352 | CYCLE TIMER | | HK25DR004 | | -> |
| 353 | MODULE ASY,RELAY (DESIGN 2) | | 32SM400694 | | -> |
| | INCLUDES: ITEMS 354-360. | | | | |
| 354 | LIGHT ASY,INDICATING (BRG & MTR) | (2) | 32SM400702 | (2) | -> |
| 355 | TIMER,ELECTRICAL SEQUENCE | | HK25ZD030 | | -> |
| 356 | RELAY (KM,KB,K3) | (3) | HN61KL615 | (3) | -> |
| 357 | RELAY (K1) | | HN61KL615 | | -> |
| 358 | RELAY (K2) | | HN61KL616 | | -> |
| 359 | FUSE HOLDER | | HTA-DD-00 | | -> |
| 360 | FUSE (3 AMP) | | AGC3 | | -> |
| 361 | MODULE ASY,CONTROL (DESIGN 1) | | 32SM400494(SEE NOTE) | | -> |
| | NOTE: RELAY MODULE ASY DESIGN 1 IS NO LONGER AVAILABLE. FOR NEW RELAY | | | | |
| | MODULE ASY SEE DESIGN 2. WHEN CONVERTING FROM DESIGN 1 TO | | | | |
| | DESIGN 2 USE KIT NUMBER 32SM660004. | | | | |
| | INCLUDES: ITEMS 363-368. | | | | |
| 362 | CIRCUIT BREAKER | (2) | HH83XH110 | (2) | -> |
| 363 | RESISTER | | HT21AU100 | | -> |
| 364 | RELAY,TIME DELAY | | 19EA41611 | | -> |
| 365 | TIMER,PROGRAM | | HK25BB020 | | -> |
| 366 | RELAY | (5) | HN61KL616 | (5) | -> |
| 367 | FUSE HOLDER | | AGC3 | | -> |
| 368 | FUSE (3 AMP) | | HTB84I | | -> |
| 369 | TRANSFORMER (OLD STYLE ELEC.) | (2) | HT01BJ115 | (2) | -> |
| 370 | SWITCH,LOW PRESSURE (OLD STYLE ELE | | HK01CB042 | | -> |
| MICROPROCESSOR CONTROLS (32MP) | | | | | |
| 372A | CONTROL PANEL REPLACEMENT (60HZ) | | 19EB660003 | | -> |
| | NOTE: FACTORY STYLE CONTROL PANEL WITH ESPII. FOR USE IN 60HZ, HIGH | | | | |
| | PRESSURE MACHINES. DOES NOT INCLUDE SENSORS OR WELLS. | | | | |
| 372B | CONTROL PANEL REPLACEMENT (60HZ) | | 19EB660001 | | -> |
| | NOTE: FACTORY STYLE CONTROL PANEL WITHOUT ESPII. FOR USE IN 60HZ, HIGH | | | | |
| | PRESSURE MACHINES. DOES NOT INCLUDE SENSOR OR WELLS. | | | | |
| 372C | CONTROL PANEL REPLACEMENT (50HZ) | | 19EB660004 | | -> |
| | NOTE: FACTORY STYLE CONTROL PANEL WITH ESPII. FOR USE IN 50HZ, HIGH | | | | |
| | PRESSURE MACHINES. DOES NOT INCLUDE SENSORS OR WELLS. | | | | |
| 372D | CONTROL PANEL REPLACEMENT (50HZ) | | 19EB660002 | | -> |
| | NOTE: FACTORY STYLE CONTROL PANEL WITHOUT ESPII. FOR USE IN 50HZ, HIGH | | | | |
| | PRESSURE MACHINES. DOES NOT INCLUDE SENSORS OR WELLS. | | | | |
| | INCLUDES: ITEMS 373-407. | | | | |
| 373 | PROCESSOR BOARD PANEL | | 32MP400974 | | -> |
| 374 | HOUSING,16 POSITION (1J1) | | HY07MP216 | | -> |
| 375 | HOUSING,14 POSITION (1J2) | | HY07MP214 | | -> |
| 376 | HOUSING,3 POSITION (1J5 & 6J1) | (2) | HY07MP203 | (2) | -> |
| 377 | HOUSING,6 POSITION (1J4) | | HY07MP206 | | -> |
| 378 | KEYING PLUG | (9) | HY07MQ004 | (9) | -> |
| 379 | INPUT/OUTPUT BOARD ASY. | | HK35EZ002 | | -> |
| 380 | HOUSING,10 POSITION (2J1 & 2J2) | (2) | HY07MP210 | (2) | -> |
| 381 | HOUSING,13 POSITION (2J4) | | HY07MP213 | | -> |

PARTS LIST CATALOG

PARTS LIST PAGE: 010

CATALOG NO.: REV.
SUPERSEDES : REV.

NOTE: SEE "CATALOG NOTES" ON LAST PAGE FOR EXPLANATION OF SYMBOLISM.



CENTRIFUGAL CHILLER (SEMI HERMETIC)

SIZE: 004 005
SERIES: 0

| ITM | PART DESCRIPTION | 19FA004 | | 19FA005 | |
|---------------------------------------|------------------------------------|--------------|--------------|--------------|----|
| | | ALL VOLTAGES | | ALL VOLTAGES | |
| MICROPROCESSOR CONTROLS (32MP) | | | | | |
| 382 | HOUSING,12 POSITION (2J5) | | HY07MP212 | | -> |
| 383 | HOUSING,4 POSITION (2J6 & 6J2) | (2) | HY07MP204 | (2) | -> |
| 384 | BASIC SET POINT & DISPLAY BOARD AS | | HK35E2003 | | -> |
| 385 | GAUGE,PRESSURE (COOLER/CONDENSER) | (2) | KM03AF363 | (2) | -> |
| 386 | GAUGE & SWITCH,PRESSURE (OIL DIFF. | | KM05BW222 | | -> |
| 387 | LIGHT (AMBER) | | HY19UC019 | | -> |
| 388 | LIGHT (RED) | | HY19UC014 | | -> |
| 389 | LOCK,CAM | | KA19NL010 | | -> |
| 390 | FUSE BLOCK (1 POS.) | | S-8202-01 | | -> |
| 391 | FUSE BLOCK (3 POS.) | | HY11UM003 | | -> |
| 392 | FUSE BLOCK (7 POS.) | | HY11UM007 | | -> |
| 393 | FUSE (0.1 AMP) (F15,F16,F17) | (3) | MGB1/8 | (3) | -> |
| 394 | FUSE (0.75 AMP) (F18,F19) | (2) | MDL3/4 | (2) | -> |
| 395 | FUSE (1.0 AMP) | | AGC1 | | -> |
| 396 | FUSE (1.0 AMP SLO-BLO) (F14) | | MDL1 | | -> |
| 397 | FUSE (3.0 AMP SLO-BLO) (F20,F21) | | MDL3 | | -> |
| 398 | PRESSURE SWITCH,MANUAL RESET (COND | | HK01UA185 | | -> |
| 399 | TRANSFORMER | | HT01BE115 | | -> |
| 400A | INDICATOR,ELAPSE TIME (60HZ) | | HK28DG115 | | -> |
| 400B | INDICATOR,ELAPSE TIME (50HZ) | | HK28DG116 | | -> |
| 401 | CAPACITOR ASY | | 19E8516222 | | -> |
| 402 | TERMINAL BLOCK (10 POS.) | | HY84EG010 | | -> |
| 403 | TERMINAL BLOCK (17 POS.) | | HY84EF018 | | -> |
| 404 | TERMINAL BLOCK (22 POS.) | | HY84EG022 | | -> |
| 405 | MEMORY EXPANSION PCB ASY. | | 32MP400954 | | -> |
| 406 | EXPANDED PANEL ASY. (ESP) | | 32MP400934 | | -> |
| 407 | RESISTER ASY | | 19E8416182 | | -> |
| PIC CONTROLS | | | | | |
| 408 | PIC CONTROLS RETROFIT KIT | | 19EX660003 | | -> |
| | INCLUDES: ITEMS 409-432. | | | | |
| 409 | CONTROL PANEL ASSEMBLY | | 19EX54005002 | | -> |
| | INCLUDES: ITEMS 410-432. | | | | |
| 410 | DODR PANEL ASSEMBLY | | 19EX04000501 | | -> |
| 411 | CAM LOCK (W/KEYS) | | KA19NL010 | | -> |
| 412 | LID ASY (PIC CONTROL PANEL) | | CES0130036 | | -> |
| 413 | LIGHT ASY (FOR LID)(PSN3596) | | HY19AD005 | | -> |
| 414 | POWER SUPPLY (5V DC)(PSN3596) | | HK35AA007 | | -> |
| 415 | RELAY BOARD (6 PAC) | | HK35AA003 | | -> |
| 416 | MODULE ASY (PSIO) | | 19EX54005204 | | -> |
| 417 | CIRCUIT BREAKER | (4) | HH83ZB001 | (4) | -> |
| 418 | RUBBER BUMPER | (2) | KA58MR001 | (2) | -> |
| 419 | WIRE HARNESS (15 WIRE) | | 19XB04002701 | | -> |
| 420 | WIRE HARNESS (6 WIRE) | | 19XT04000801 | | -> |
| 421 | RESISTOR WIRE ASY | | 19XT04000601 | | -> |
| | INCLUDES: ITEM 422. | | | | |
| 422 | RESISTOR (10K,1/2 W) | (3) | HT21A2110 | (3) | -> |
| 423 | TRANSDUCER CABLE ASY (285") | | 19XB660003 | | -> |
| | INCLUDES: ITEMS 424-425. | | | | |
| 424 | CABLE CONNECTOR | | 30GT510011 | | -> |
| 425 | PIN TERMINAL | | 30GT510010 | | -> |
| 426 | SENSOR CABLE ASY. (COMPR DISCH) | | 19EX04001301 | | -> |
| 427 | SENSOR CABLE ASY (OIL SUMP TEMP) | | 19EX04001302 | | -> |
| 428 | CONNECTOR PLUG(3PIN)(PSIO)TOP SID | | HY84EE003 | | -> |
| 429 | CONNECTOR PLUG(4PIN)(PSIO)TOP SID | (2) | HY84EE004 | (2) | -> |

PARTS LIST CATALOG

PARTS LIST PAGE: 011

CATALOG NO.: REV.
SUPERSEDES: REV.

NOTE: SEE "CATALOG NOTES" ON LAST PAGE FOR EXPLANATION OF SYMBOLISM.



CENTRIFUGAL CHILLER
(SEMI HERMETIC)

19FA

SIZE: 004 005
SERIES: 0

| ITM | PART DESCRIPTION | 19FA004 | | 19FA005 | |
|---|--|--------------|--------------|--------------|----|
| | | ALL VOLTAGES | | ALL VOLTAGES | |
| PIC CONTROLS | | | | | |
| 430 | CONNECTOR PLUG(18 PIN)(PSID) | (3) | HY84EE021 | (3) | -> |
| 431 | CONNECTOR PLUG(6 PIN)(OPTIONS ONL | | HY06MP106 | | -> |
| 432 | MODULE (INPUT) (OPTIONS ONLY) | | HK50AA006 | | -> |
| 433 | POWER PANEL ASSEMBLY (PIC 1) | | 19EX04000202 | | -> |
| | INCLUDES: ITEMS 434-442. | | | | |
| 434 | COVER,POWER PANEL (W/LABELS) | | 19EX04000401 | | -> |
| 435 | TRANSFORMER (T2) | | HT01AN235 | | -> |
| 436 | TRANSFORMER (T1) | | HT01BD113 | | -> |
| 437 | CONTACTOR (OIL HEATER/OIL PUMP) | (2) | HN53CC024 | (2) | -> |
| 438 | PRESSURE SWITCH,DIFF. | | HK06UB012 | | -> |
| 439 | BARRIER,LOW VOLTAGE | | 19XB05000401 | | -> |
| 440 | TERMINAL BLOCK | | 19XB05002301 | | -> |
| 441 | SWITCH,VOLTAGE SELECTOR | | HR6722125 | | -> |
| 442 | GROUND,LUG | | HY90HR001 | | -> |
| 443 | ACTUATOR,MOTOR (GUIDE VANE) | | HF26BB025 | | -> |
| 444 | SENSOR,TEMPERATURE | (6) | HH79NZ047 | (6) | -> |
| 445 | TRANSDUCER,PRESSURE | (3) | HK05Y2002 | (3) | -> |
| 446 | SENSOR,THRUST | | HH79NZ073 | | -> |
| 447 | SWITCH,HIGH PRESSURE | | 19EX04002601 | | -> |
| 448 | WELL,SENSOR | (4) | AT-225 | (4) | -> |
| 449 | SENSOR,MOTOR | (2) | 32MP500354 | (2) | -> |
| 450 | VALVE ASSEMBLY,SCHRADER | (4) | 06DA403844 | (4) | -> |
| 450A | MODULE PANEL,STARTER MANAGEMENT | | E950705-2 | | -> |
| CONTROL GROUP | | | | | |
| 451 | SAFETY PANEL ASSEMBLY | | 32GA900001 | | -> |
| | INCLUDES: ITEMS 452-455. | | | | |
| 452 | SWITCH,PUSH BUTTON (WHITE) | (7) | HR54ZA020 | (7) | -> |
| 453 | SWITCH,PUSH BUTTON (RED) (RESET) | | HR54ZA040 | | -> |
| 454 | RELAY | (11) | HN61KL616 | (11) | -> |
| 455 N | RECEPTACLE,RELAY | (11) | HY07RB008 | (11) | -> |
| 456 | LEAD-LAG CONTROL ASSEMBLY | | 32SM900001 | | -> |
| | INCLUDES: ITEMS 457-461. | | | | |
| 457 | SWITCH | (3) | HR54ZA001 | (3) | -> |
| 458 | POTENTIOMETER | | 32SM500623 | | -> |
| 459 | KNOB | | KA21RB156 | | -> |
| 459A | SWITCH,SELECTOR | | 32SM500843 | | -> |
| 460 | RELAY | | HN67SK007 | | -> |
| 461 | RELAY | (4) | HN61KL616 | (4) | -> |
| MACHINE ARRANGEMENT & PIPING | | | | | |
| 462 | FILTER ASSEMBLY (COOLER) | | KH33QA182 | | -> |
| | NOTE: FILTER ASSEMBLY REPLACES REFRIGERANT STRAINER USED PREVIOUSLY. | | | | |
| | INCLUDES: ITEM 463. | | | | |
| 463 N | FILER ELEMENT | | KH09A2001 | | -> |
| 464 | RELIEF VALVE 1/2" (COOLER) | | EB51F2181 | | -> |
| 465 | RELIEF VALVE 1" (COOLER) | | EB51F2301 | | -> |
| 466 | TEMP PROBE,CHILLED WATER(ELECTRONIC) | | 32SM500234 | | -> |
| | INCLUDES: ITEM 467. | | | | |
| 467 | PROBE | | 32SM680001 | | -> |
| 468 | THERMOSTAT,PNEUMATIC (PNEUMATIC) | | HL21JE021 | | -> |
| 469 | TEMPERATURE SWITCH,CHILLED WATER | | HH242C039 | | -> |
| 470 | VALVE | (2) | EP10BA181 | (2) | -> |
| 471 | DAMPER VALVE 4" | | 19FA501123 | | -> |
| 472 N | DAMPER VALVE PACKING & O-RING PKG | | 19FA660027 | | -> |
| | NOTE: USED WITH DAMPER VALVE,PART NUMBER 19FA501123. | | | | |

PARTS LIST CATALOG

PARTS LIST PAGE: 012

CATALOG NO.: REV.
SUPERSEDES : REV.

NOTE: SEE "CATALOG NOTES" ON LAST PAGE FOR EXPLANATION OF SYMBOLISM.



CENTRIFUGAL CHILLER (SEMI HERMETIC)

SIZE: 004 005
SERIES: 0

| ITM | PART DESCRIPTION | 19FA004 | 19FA005 | | |
|--|--|---------------------|--------------|--|--|
| | | ALL VOLTAGES | ALL VOLTAGES | | |
| MACHINE ARRANGEMENT & PIPING | | | | | |
| 473 | ANGLE VALVE | (2) 7792-B | (2) -> | | |
| 474 | BALL VALVE 1" | (2) EP71CQ310 | (2) -> | | |
| 477 | RELIEF VALVE | (2) EB51F2310 | (2) -> | | |
| 479 | TEMPERATURE SWITCH,LO-REFRIG | HH24ZB033 | -> | | |
| 480 | THERMOWELL | HL79ZZ002 | -> | | |
| 481 | THERMOWELL | 17FA111102 | -> | | |
| 482A | GSKT.COOL W/B(FR#10-12 & 40-42;ALL P | (2) 17FA4231263 | (2) -> | | |
| 482B | GSKT.COOL W/B(FR#14-16 & 44-46;ALL P | (2) 17FA4631263 | (2) -> | | |
| 482C | GSKT.COOL W/B(FR#18-19 & 48-49;ALL P | (2) 17FA4931263 | (2) -> | | |
| 482D | GSKT.COOL W/B(FR#20-22 & 50-52;ALL P | (2) 17FA5231263 | (2) -> | | |
| 482E | GSKT.COOL W/B(FR#24-26 & 54-56;ALL P | (2) 17FA5631263 | (2) -> | | |
| 482F | GSKT.COOL W/B(FR#27-29 & 57-59;ALL P | (2) 17FA5931263 | (2) -> | | |
| 483 | SEALING STRIP, DIV PLT(20" CUT TO FIT) | 19XB680001 | -> | | |
| 484A | GSKT.COND W/B(FR#10-12 & 40-44;ALL P | 17FA4241133 | -> | | |
| 484B | GSKT.COND W/B(FR#14-16 & 45-46;ALL P | 17FA4641133 | -> | | |
| 484C | GSKT.COND W/B(FR#18-19 & 48-49;ALL P | 17FA4941133 | -> | | |
| 484D | GSKT.COND W/B(FR#20-22 & 50-54;ALL P | 17FA5241133 | -> | | |
| 484E | GSKT.COND W/B(FR#24-26 & 55-57;ALL P | 17FA5641133 | -> | | |
| 484F | GSKT.COND W/B(FR#27-28 & 58-59;ALL P | 17FA5941133 | -> | | |
| 485 | COOLER TUBE (SEE NOTE) | CONTACT CARRIER-RCD | -> | | |
| 486 | CONDENSER TUBE (SEE NOTE) | CONTACT CARRIER-RCD | -> | | |
| NOTE: TO RECEIVE THE PROPER TUBE FOR YOUR PARTICULAR MACHINE YOU MUST CONTACT YOUR CARRIER REPRESENTATIVE WITH THE SERIAL NUMBER FOR YOUR MACHINE. | | | | | |
| 487 | GASKET PACKAGE (SEE NOTE FOR USAGE) | 19FA660015 | X | | |
| COMPRESSOR TO MACHINE CONNECTIONS GASKET PACKAGE. USED FOR MACHINES WITH A FRAME 10-12 OR 40-42 COOLER AND FRAME 10-16 OR 40-46 CONDENSER. | | | | | |
| INCLUDES: ITEMS 488-493. | | | | | |
| 488 | GASKET,SUCTION LINE (COMPR. END) | 17FA1011052LA | X | | |
| 489 | GASKET,SUCTION LINE (COOLER END) | 17FA1011052LA | X | | |
| 490 | GASKET,ECONOMIZER VALVE | (2) CT99GX601LA | X | | |
| 491 | GASKET,COMPRESSOR DISCHARGE LINE | 17FA1011082LA | X | | |
| 492 | GASKET,ECONOMIZER SUCTION | 17FA1011062LA | X | | |
| 493 | GASKET,INSPECTION COVER | 17FA4021303LA | X | | |
| 494 | GASKET PACKAGE (SEE NOTE FOR USAGE) | 19FA660011 | X | | |
| COMPRESSOR TO MACHINE CONNECTIONS GASKET PACKAGE. USED FOR MACHINES WITH A FRAME 14-19 OR 44-49 COOLER AND FRAME 10-22 OR 40-54 CONDENSER. | | | | | |
| INCLUDES: ITEMS 495-500. | | | | | |
| 495 | GASKET,SUCTION LINE (COMPR. END) | 17FA1011052LA | X | | |
| 496 | GASKET,SUCTION LINE (COOLER END) | 19EA611432LA | X | | |
| 497 | GASKET,ECONOMIZER VALVE | (2) CT99GX601LA | X | | |
| 498 | GASKET,COMPRESSOR DISCHARGE LINE | 17FA1011082LA | X | | |
| 499 | GASKET,ECONOMIZER SUCTION | 17FA1011062LA | X | | |
| 500 | GASKET,INSPECTION COVER | 17FA4021303LA | X | | |
| 501 | GASKET PACKAGE (SEE NOTE FOR USAGE) | 19FA660012 | X | | |
| COMPRESSOR TO MACHINE CONNECTIONS GASKET PACKAGE. USED FOR MACHINES WITH A FRAME 20-22 OR 50-52 COOLER AND FRAME 18-26 OR 48-57 CONDENSER. | | | | | |
| INCLUDES: ITEMS 502-507. | | | | | |
| 502 | GASKET,SUCTION LINE (COMPR. END) | 17FA1011052LA | X | | |
| 503 | GASKET,SUCTION LINE (COOLER END) | 19EA511432LA | X | | |
| 504 | GASKET,ECONOMIZER SUCTION | 17FA1011062LA | X | | |
| 505 | GASKET,COMPRESSOR DISCHARGE LINE | 17FA1011082LA | X | | |
| 506 | GASKET,ECONOMIZER VALVE | (2) CT99GX601LA | X | | |
| 507 | GASKET,INSPECTION COVER | 17FA4021303LA | X | | |

PARTS LIST CATALOG

PARTS LIST PAGE: 013

CATALOG NO.: REV.
SUPERSEDES: REV.

NOTE: SEE "CATALOG NOTES" ON LAST PAGE FOR EXPLANATION OF SYMBOLISM.



CENTRIFUGAL CHILLER
(SEMI HERMETIC)

19FA

SIZE: 004 005
SERIES: 0

| ITM | PART DESCRIPTION | 19FA004 | 19FA005 | | |
|---|--|-------------------|-----------------|--|--|
| | | ALL VOLTAGES | ALL VOLTAGES | | |
| MACHINE ARRANGEMENT & PIPING | | | | | |
| 508 | GASKET PACKAGE (SEE NOTE FOR USAGE) | X | 19FA660013 | | |
| | COMPRESSOR TO MACHINE CONNECTIONS GASKET PACKAGE. USED FOR MACHINES WITH A FRAME 20-22 OR 50-52 COOLER AND FRAME 18-26 OR 48-57 CONDENSER. | | | | |
| | INCLUDES: ITEMS 509-514. | | | | |
| 509 | GASKET,SUCTION LINE (COMPR. END) | X | 19EA411432LA | | |
| 510 | GASKET,SUCTION LINE (COOLER END) | X | 19EA511432LA | | |
| 511 | GASKET,ECONOMIZER SUCTION | X | 17FA1011052LA | | |
| 512 | GASKET,COMPRESSOR DISCHARGE LINE | X | 19EA411432LA | | |
| 513 | GASKET,ECONOMIZER VALVE | X | (2) CT99GK6011A | | |
| 514 | GASKET,INSPECTION COVER | X | 17FA5021303LA | | |
| 515 | GASKET PACKAGE (SEE NOTE FOR USAGE) | X | 19FA660014 | | |
| | COMPRESSOR TO MACHINE CONNECTIONS GASKET PACKAGE. USED FOR MACHINES WITH A FRAME 24-29 OR 54-59 COOLER AND FRAME 20-29 OR 50-59 CONDENSER. | | | | |
| | INCLUDES: ITEMS 516-522. | | | | |
| 516 | GASKET,SUCTION LINE (COMPR. END) | X | 19EA41143 | | |
| 517 | GASKET,SUCTION LINE (COOLER END) | X | 17FA2411052LA | | |
| 518 | GASKET,ECONOMIZER SUCTION | X | 17FA1011052LA | | |
| 519 | GASKET,COMPRESSOR DISCHARGE LINE | X | 19EA411432LA | | |
| 520 | GASKET,ECONOMIZER VALVE | X | (2) CT99GK6011A | | |
| 521 | GASKET,INSPECTION COVER | X | 17FA5021303LA | | |
| 522 | GASKET,MOTOR DRAIN ECONOMIZER GROUP | X | CT99GY4011A | | |
| 523 | GASKET,FLOAT CHAMBER | (2) 17FA1051023LA | (2) -> | | |
| 524 | GASKET,VALVE PLATE | (2) 17FA1051112 | (2) -> | | |
| 525 | GASKET,VALVE CHAMBER (HI-SIDE) | 17FA1051073 | -> | | |
| 526A | ORIFICE,STRAINER ASY (1/8") | 19EA41852 | -> | | |
| 526B | ORIFICE,STRAINER ASY (1/16") | 17FA1051512 | -> | | |
| 528 | SHAFT SEAL | 17FA1051132 | -> | | |
| 529A | FLOAT VALVE ASY(HIGH SIDE)(SEE NOTE) | 17FA105154 | -> | | |
| | NOTE: LESS ARM AND BALL. USED ON CONDENSER FRAMES 10-19 & 40-50. | | | | |
| 529B | FLOAT VALVE ASY(HIGH SIDE)(SEE NOTE) | 17FA115154 | -> | | |
| | NOTE: LESS ARM AND BALL. USED ON CONDENSER FRAMES 20-26. | | | | |
| 529C | FLOAT VALVE ASY(HIGH SIDE)(SEE NOTE) | 17FA125154 | -> | | |
| | NOTE: LESS ARM AND BALL. USED ON CONDENSER FRAMES 27-29. | | | | |
| 530 | BALL,FLOAT (8") (HI-SIDE) | EC28HZ243 | -> | | |
| 531 | FLOAT ARM & BRACKET (HI-SIDE) | 17FA115122 | -> | | |
| 532A | FLOAT VALVE ASY (LO-SIDE) (SEE NOTE) | 17FA105144 | -> | | |
| | NOTE: INCLUDES BALL AND ARM. USED ON CONDENSER FRAMES 10-19 & 40-59. | | | | |
| 532B | FLOAT VALVE ASY (LO-SIDE) (SEE NOTE) | 17FA115144 | -> | | |
| | NOTE: INCLUDES BALL AND ARM. USED ON CONDENSER FRAMES 20-22. | | | | |
| 532C | FLOAT VALVE ASY (LO-SIDE) (SEE NOTE) | 17FA125144 | -> | | |
| | NOTE: INCLUDES BALL AND ARM. USED ON CONDENSER FRAMES 24-29. | | | | |
| 533 | FLOAT BALL & ARM ASY (LO-SIDE) | 19FA660024 | -> | | |
| 534A | STRAINER RETAINER (SEE NOTE) | 17FA105103 | -> | | |
| | NOTE: USED ON CONDENSER FRAMES 10-19. | | | | |
| 534B | STRAINER RETAINER (SEE NOTE) | 17FA525103 | -> | | |
| | NOTE: USED ON CONDENSER FRAMES 20-59. | | | | |
| 535A | CONE STRAINER (SEE NOTE) | 17FA1051083 | -> | | |
| | NOTE: USED ON CONDENSER FRAMES 10-19. | | | | |
| 535B | CONE STRAINER (SEE NOTE) | 17FA5251083 | -> | | |
| | NOTE: USED ON CONDENSER FRAMES 20-59. | | | | |

PARTS LIST CATALOG

PARTS LIST PAGE: 014

CATALOG NO. : REV.
SUPERSEDES : REV.

NOTE: SEE "CATALOG NOTES" ON LAST PAGE FOR EXPLANATION OF SYMBOLISM.



CENTRIFUGAL CHILLER (SEMI HERMETIC)

SIZE: 004 005
SERIES: 0

| ITM | PART DESCRIPTION | 19FA004 | 19FA005 | | |
|--------------------------|---|---------------------|--------------|--|--|
| | | ALL VOLTAGES | ALL VOLTAGES | | |
| PUMPDOWN ASSEMBLY | | | | | |
| 536A | PUMPDOWN ASY. (208-3-60) | 19EA411113 | -> | | |
| 536B | PUMPDOWN ASY. (230-3-60) | 19EA421113 | -> | | |
| 536C | PUMPDOWN ASY. (400/460-3-50/60) | 19EA431113 | -> | | |
| 536D | PUMPDOWN ASY. (575-3-60) | 19EA461113 | -> | | |
| | INCLUDES: ITEMS 537-592. | | | | |
| 537A | COMPRESSOR ASY. (208/230-3-60) | 06DM8086GC3250 | -> | | |
| 537B | COMPRESSOR ASY. (400/460-3-50/60) | 06DM8086GC3650 | -> | | |
| 537C | COMPRESSOR ASY. (575-3-60) | 06DM8086GC3150 | -> | | |
| 538 N | GASKET SET | 6D43172 | -> | | |
| 539 N | VALVE PLATE PACKAGE (1-13/16" BORE) | 06DA660038 | -> | | |
| 540 N | VALVE PLATE ASY. (L.H. BANK) | 06DA660038 | -> | | |
| 541 N | SUCTION VALVE | (2) 6D451072 | (2) -> | | |
| 542 N | GASKET, VALVE PLATE | 6D401073 | -> | | |
| 543 N | GASKET, CYLINDER HEAD | 05GA502213 | -> | | |
| 544 N | SPRING, SUCTION VALVE POSITIONING | (2) 6D401021 | (2) -> | | |
| 545 N | VALVE PLATE PACKAGE (2" BORE) | 06DA660120 | -> | | |
| | INCLUDES: ITEMS 546-554. | | | | |
| 546 N | VALVE PLATE ASY. | 06DA404674 | -> | | |
| 547 N | GASKET, VALVE PLATE | 05DA500153 | -> | | |
| 548 N | GASKET, CYLINDER HEAD (PLAIN) | 05GA502213 | -> | | |
| 549 N | GASKET, CYLINDER HEAD (S.C.O.U.) | 05GA502223 | -> | | |
| 550 N | SUCTION VALVE | (2) 06DA502903 | (2) -> | | |
| 551 N | SPRING, SUCTION VALVE POSITIONING | (2) 6D401021 | (2) -> | | |
| 552 N | GASKET, CYLINDER HEAD (CENTER BANK) | 05GA502173 | -> | | |
| 553 N | GASKET, VALVE PLATE (LESS I PORT) | 06DA502923 | -> | | |
| 554 N | DOWEL PIN | 7J16032 | -> | | |
| 555 N | PISTON & PIN PACKAGE | (2) 6D68962 | (2) -> | | |
| | INCLUDES: ITEMS 556-560. | | | | |
| 556 N | ECCENTRIC STRAP | (2) 5D401372 | (2) -> | | |
| 557 N | COMPRESSION RING | (2) AU50CP355 | (2) -> | | |
| 558 N | VALVE PLATE ASY. | 06DA660120 | -> | | |
| 559 N | BEARING HEAD ASY. | 06DA660060 | -> | | |
| 560 N | OIL FILTER ASY. | 6D40103 | -> | | |
| 561 | SERVICE VALVE PACKAGE (SUCTION) | 5F20660002 | -> | | |
| | INCLUDES: ITEMS 562-565. | | | | |
| 562 | VALVE (5/8" ODS) | NOT SOLD SEPARATELY | -> | | |
| 563 | GASKET, SUCTION VALVE | 6D231421 | -> | | |
| 564 | BOLT, HEX. HEAD | NOT SOLD SEPARATELY | -> | | |
| 565 | BUSHING (5/8" X 1/2") | NOT SOLD SEPARATELY | -> | | |
| 566 | SERVICE VALVE PACKAGE (DISCHARGE) | 06DA660060 | -> | | |
| | INCLUDES: ITEMS 567-569. | | | | |
| 567 | VALVE, (5/8" ODS) | NOT SOLD SEPARATELY | -> | | |
| 568 | GASKET, DISCHARGE VALVE | 6D231421 | -> | | |
| 569 | BOLT, HEX. HEAD | NOT SOLD SEPARATELY | -> | | |
| 570 | CONDENSER ASSEMBLY | 6D21104 | -> | | |
| | INCLUDES: ITEMS 571-572. | | | | |
| 571 | TRY COCK ASSEMBLY | 7F0132 | -> | | |
| 572 | VALVE, LIQUID | EP12BH211 | -> | | |
| 573 | COMPR. OVERLOAD (30A) (FURNAS-MAN. RESET) | HN68JX003 | -> | | |
| 574A | OVERLOAD HEATER (208V) | (3) HN71JC050 | (3) -> | | |
| 574B | OVERLOAD HEATER (230V) | (3) HN71JC049 | (3) -> | | |
| 574C | OVERLOAD HEATER (460V) | (3) HN71JC036 | (3) -> | | |
| 574D | OVERLOAD HEATER (575V) | (3) HN71JC031 | (3) -> | | |
| 575 | CONTROL BOX COVER | 07DA500002 | -> | | |

PARTS LIST CATALOG

PARTS LIST PAGE: 015

CATALOG NO.: REV.
SUPERSEDES : REV.

NOTE: SEE "CATALOG NOTES" ON LAST PAGE FOR EXPLANATION OF SYMBOLISM.



CENTRIFUGAL CHILLER
(SEMI HERMETIC)

19FA

SIZE: 004 005
SERIES: 0

| ITM | PART DESCRIPTION | 19FA004 | 19FA005 | | |
|--------------------------|--|-------------------|--------------|--|--|
| | | ALL VOLTAGES | ALL VOLTAGES | | |
| PUMPDOWN ASSEMBLY | | | | | |
| 576 | CONTROL BOX ASSEMBLY (R134A) INCLUDES: ITEMS 577-583. | 19EA41588 | -> | | |
| 577 | TERMINAL BLOCK | HY84EG017 | -> | | |
| 578 | CONTACTOR | HN53CD115 | -> | | |
| 579 | SWITCH,PRESSURE | HK01UA181 | -> | | |
| 580 | SWITCH,TOGGLE | HR53ZA035 | -> | | |
| 581 | FUSE HOLDER | HKP-HH | -> | | |
| 582 | FUSE (3 AMP) | AGC3 | -> | | |
| 583 | GROMMET | KA56XM040 | -> | | |
| 584 | SAFETY HEAD | EB51LR385 | -> | | |
| 585 | OIL SEPERATOR | KH31L2008 | -> | | |
| 586 | GASKET,OIL SEPERATOR | KY31LY003LA | -> | | |
| 587 | VALVE,DIAPHRAM (1/2") | (4) A-14841 | (4) -> | | |
| 588 | VALVE,ANGLE | EP23LA211 | -> | | |
| 589 | GASKET,CAPSCREW (5/16") | (4) AU51YA003 | (4) -> | | |
| 590 | GASKET,FLARE (1/2") | DD24FA151 | -> | | |
| 591 | SPRING,COMPRESSOR MOUNTING | (4) 50K21231 | (4) -> | | |
| 592 | SPRING,CUP,COMPRESSOR MOUNTING | (4) 50K41221 | (4) -> | | |
| PURGE ASSEMBLY | | | | | |
| 593 | DEHYDRATOR-PURGE ASY INCLUDES: ITEMS 382-384. | 17FA101704 | -> | | |
| 594 | DRIFICE (.062) (PURGE PIPING) | 19CB7211012 | -> | | |
| 595 | STRAINER (PURGE PIPING) | (2) KH14BN115 | (2) -> | | |
| 596 | VALVE (1/2" ODS) | (2) EP10BA181 | (2) -> | | |
| 597 | GAUGE,PRESSURE | KM03AF280 | -> | | |
| 598 | VALVE,ANGLE (DRAIN) | EP23LC090 | -> | | |
| 599 | VALVE,ANGLE | EP20LA093 | -> | | |
| 600 | DEHYDRATOR ASY (ORIGINAL DESIGN) INCLUDES: ITEMS 597-608. | 19EA41543 | -> | | |
| 601 | COUPLING,V-BAND | CT28MP035 | -> | | |
| 602 | GLAND,SIGHT GLASS | (2) TS380 | (2) -> | | |
| 603 | GASKET,SIGHT GLASS (OUTER) | (2) 5F201631 | (2) -> | | |
| 604 | SIGHT GLASS | (2) 19C356151 | (2) -> | | |
| 605 | GASKET,SIGHT GLASS (INNER) | (2) 19DK1191012 | (2) -> | | |
| 606 | O-RING | KK74ZW325 | -> | | |
| 607 | VALVE,FLOAT | EC29WN211 | -> | | |
| 608 | GASKET,RING | 19DK119104233 | -> | | |
| 609 | BALL,FLOAT | EC28QZ030 | -> | | |
| 610 | ARM,FLOAT | 19DA11501 | -> | | |
| 611 | COVER (CASTING) | 19DA115043 | -> | | |
| 612 | DEHYDRATOR ASY (LATEST DESIGN) INCLUDES: ITEMS 610-623. | 19EF101183 | -> | | |
| 613 | ARM,FLOAT | 19DA11501 | -> | | |
| 614 | O-RING | KK71PR040 | -> | | |
| 615 | BALL,FLOAT | EC28QZ030 | -> | | |
| 616 | VALVE,FLOAT | EC29WN211 | -> | | |
| 617 | SIGHT GLASS | (2) 19C356151 | (2) -> | | |
| 618 | GASKET,SIGHT GLASS (INNER) | (2) 19DK1191012 | (2) -> | | |
| 619 | GASKET,SIGHT GLASS (OUTER) | (2) 19DK119100233 | (2) -> | | |
| 620 | GLAND,SIGHT GLASS | (2) TS380 | (2) -> | | |
| 621 | COUPLING,V-BAND | CT28MP035 | -> | | |
| 622 | GASKET,RING | 19DK119104233 | -> | | |
| 623 | COVER (CASTING) | 19EF101183 | -> | | |

PARTS LIST CATALOG

PARTS LIST PAGE: 016

CATALOG NO. : REV.
SUPERSEDES : REV.

NOTE: SEE "CATALOG NOTES" ON LAST PAGE FOR EXPLANATION OF SYMBOLISM.

