

HOW TO USE THIS CATALOG

THIS CATALOG PRESENTS THE MOST COMMONLY USED SPECIFIED PARTS FOR THE STANDARD 19DH CENTRIFUGAL REFRIGERATION MACHINE. IT IS NOT APPLICABLE TO ANY SPECIAL ORDER MACHINES.

TO LOCATE PARTS YOU REQUIRE REFER TO THE UNIT ILLUSTRATIONS IN THE FIRST PART OF THIS CATALOG TO OBTAIN THE ITEM NUMBER THEN REFER TO THE PARTS LISTING FOR THE DESCRIPTION, QUANTITY AND UNIT SIZE PART IS USED ON.

OCCASIONALLY DUE TO THE LIMITATIONS OF ILLUSTRATIONS USED, A PART MAY NOT BE SHOWN ON AN ILLUSTRATION. THESE PARTS ARE IDENTIFIED BY "N" OR "NI" IN THE COLUMN NEXT TO THE ITEM NUMBER. IDENTIFY A SERIAL NUMBER CHANGE BY "PSN" FOR PRIOR SERIAL NUMBER OR "SSN" FOR START SERIAL NUMBER.

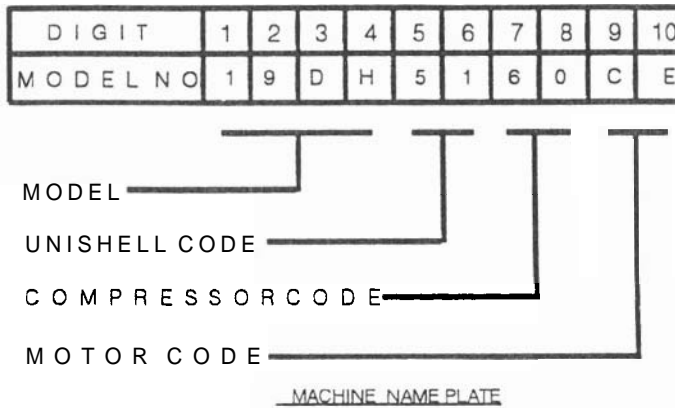
IF YOU HAVE A MACHINE THAT USES HCFC-123 AS THE REFRIGERANT DO NOT USE THIS PARTS CATALOG. SELECT SERVICE PARTS CONTACT YOUR CARRIER REPRESENTATIVE FOR THE PART NUMBERS FOR YOUR APPLICATION.

PLEASE NOTE THAT THE FOLLOWING PARTS ARE NOT LISTED IN THIS CATALOG.

- IMPELLER
- COMPRESSOR MOTOR (ROTOR & STATOR)
- EVAPORATOR TUBES
- CONDENSER TUBES

IF ANY OF THESE PARTS ARE REQUIRED, CONTACT YOUR CARRIER REPRESENTATIVE WITH THE MODEL AND SERIAL NUMBER OF YOUR MACHINE.

5. POSITIVE IDENTIFICATION OF YOUR UNIT SIZE TO PROPERLY SELECT PARTS MAY BE DONE BY REFERRING TO THE NAME PLATE THAT IS ON THE MACHINE



CFC - 11 REFRIGERANT CHARGE

UNISHELL SIZE	LBS	(KG)
42	500	(226.8)
44	525	(238.1)
46	550	(249.5)
50	575	(260.8)
51	575	(260.8)
53	600	(272.2)
55	625	(283.5)
57	625	(283.5)
61	775	(351.5)
63	810	(367.4)
65	850	(385.6)
71	975	(442.3)
72	985	(446.8)
73	1010	(458.1)
76	1100	(499.0)
77	1150	(521.6)
78	1200	(544.3)

OIL CHARGE

COMPR SIZE	GALS	(L)
11	8	30.3
21	17	49.3
31	21	64.4

TUBE QUANTITIES

UNISHELL SIZE	EVAPORATOR	CONDENSER
42	76	80
44	84	90
46	98	102
50	110	114
51	120	124
53	136	142
55	148	156
57	170	178
61	190	200
63	212	222
65	242	254
71	256	266
72	270	286
73	296	310
76	328	346
77	370	388
78	410	431

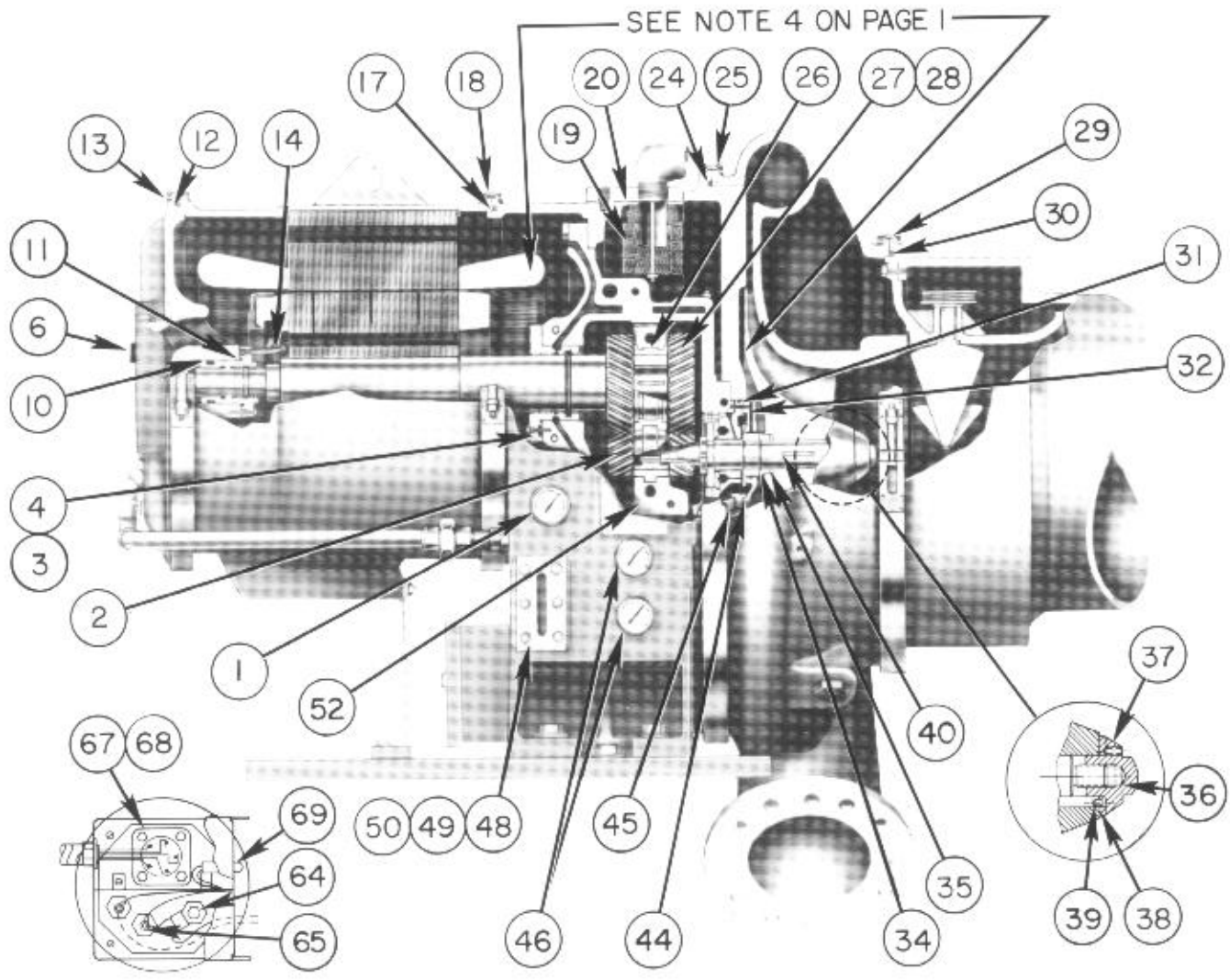
Catalog No.: 19 . 022 (06 - 93)

Page : 1

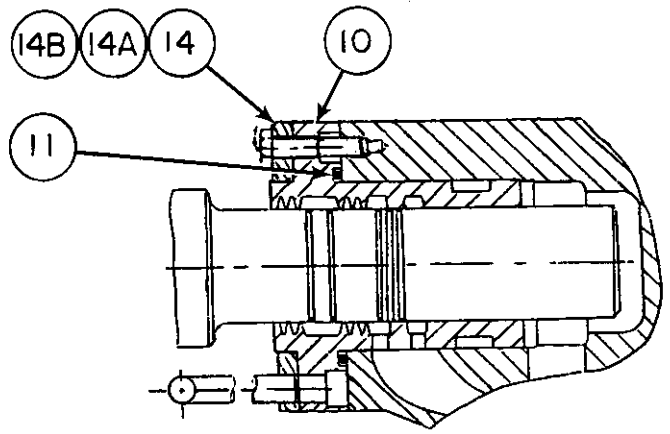
Supersedes: 551 - 916 (03 - 82)

Note: See "Catalog Notes " on last page for explanation of symbolism.

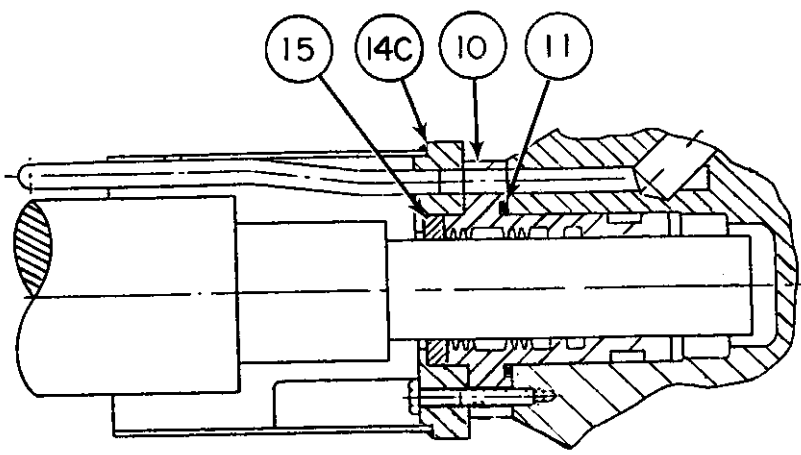
Litho in U.S.A.



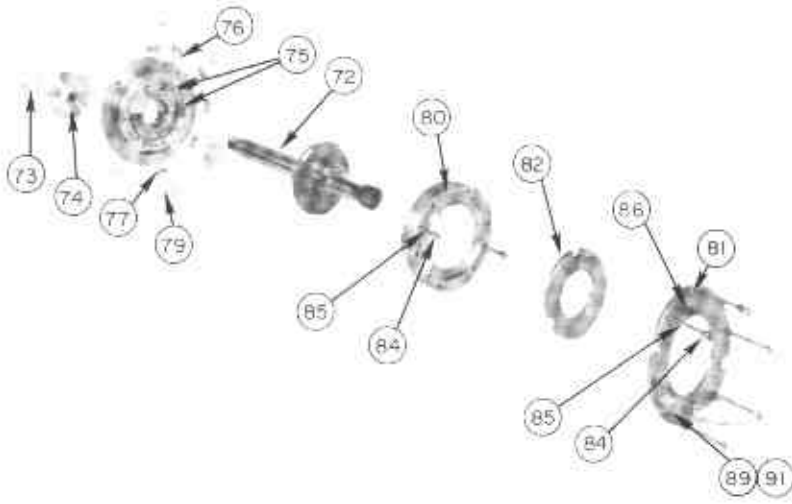
GROUP A - COMPRESSOR ASSEMBLY



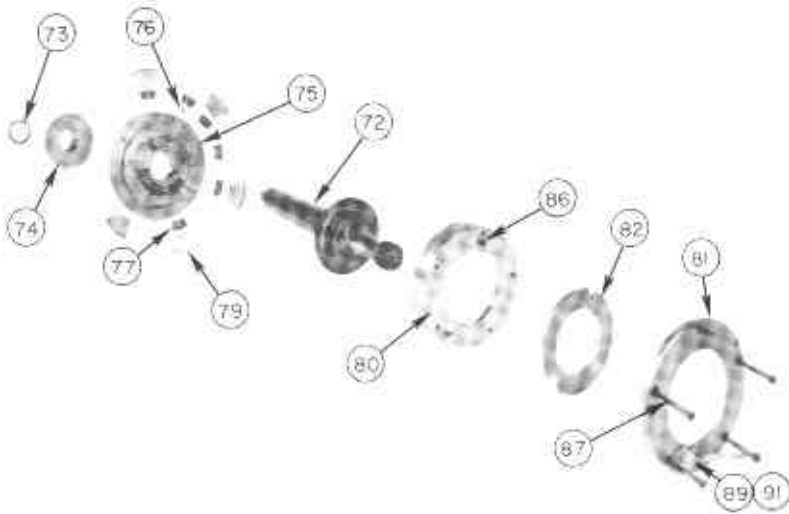
LOW VOLTAGE



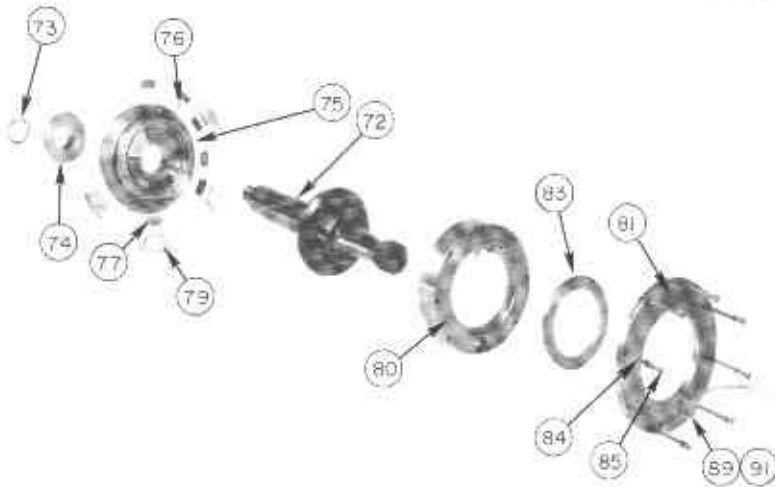
HIGH VOLTAGE



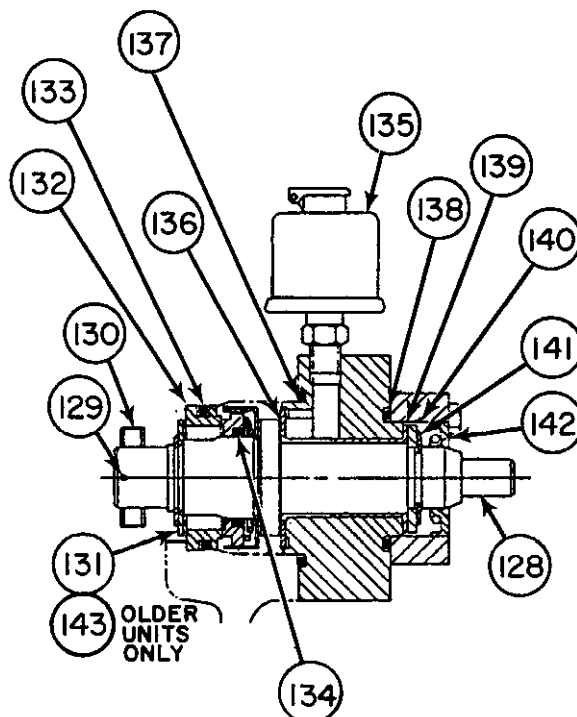
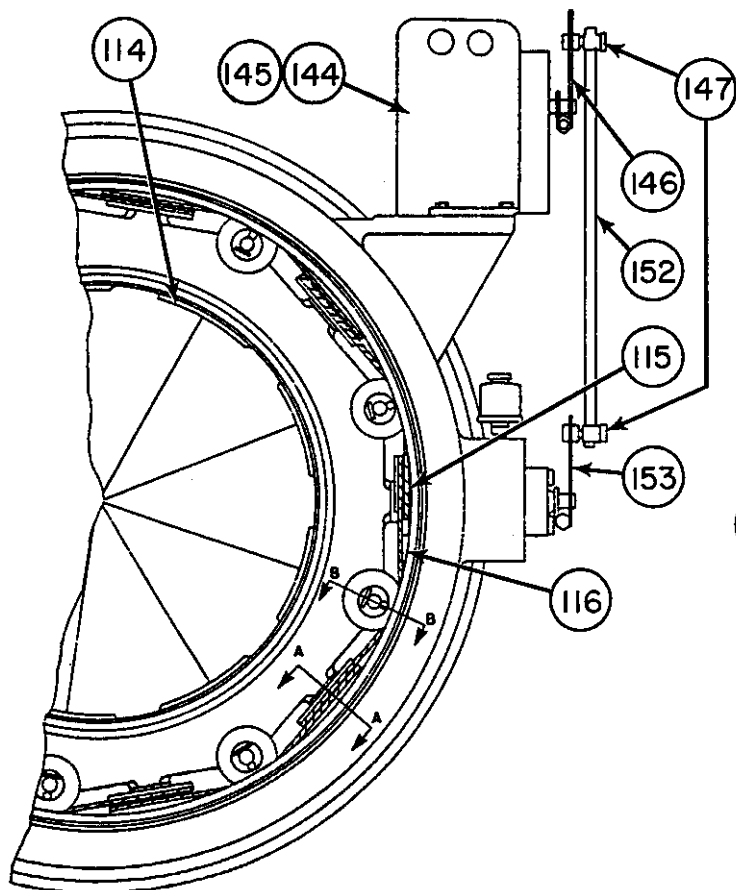
**#71 - 19DH11
THRUST BEARING & SHAFT
(19DH13-161)**



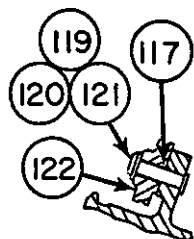
**#71 - 19DH21
THRUST BEARING & SHAFT
(19DH23-161)**



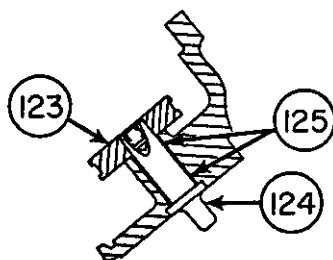
**#71 - 19DH31
THRUST BEARING & SHAFT
(19DH33-161)**



SHAFT AND SEAL ASSY, NO.126

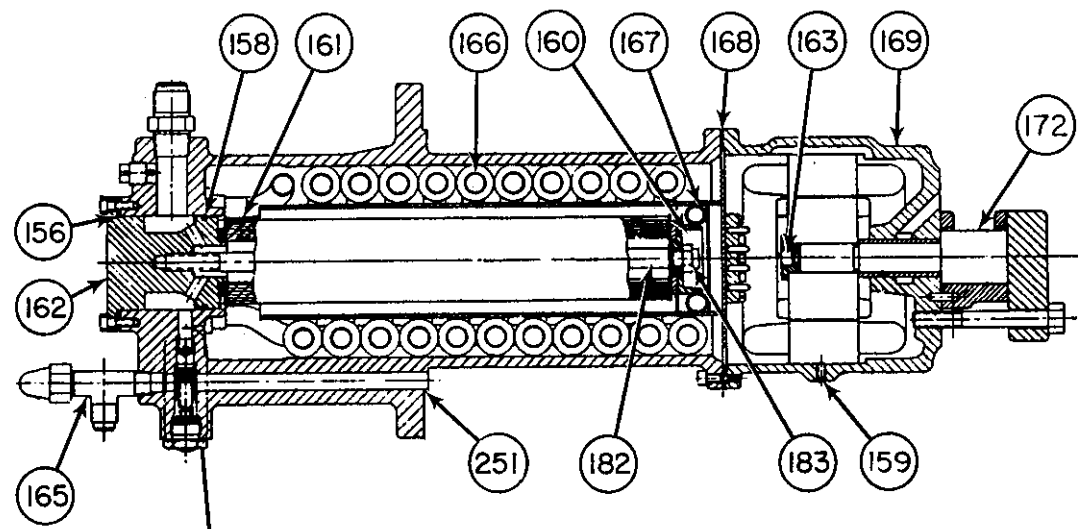


SECTION B-B

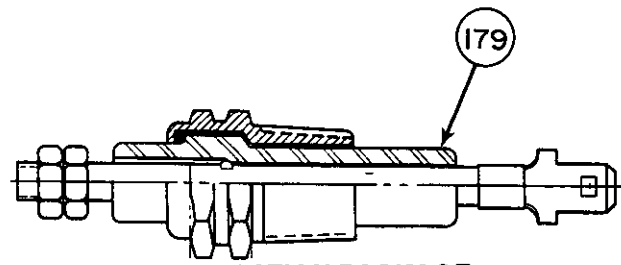
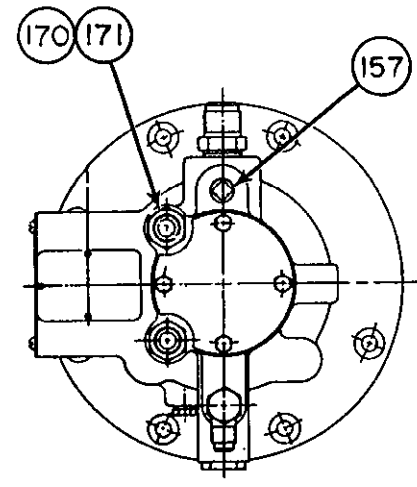
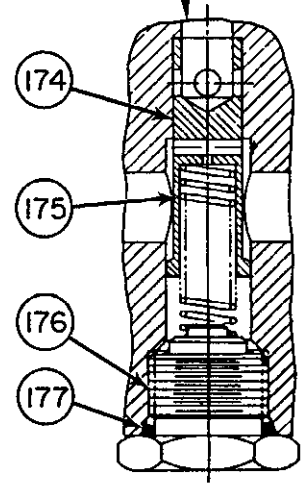


SECTION A-A

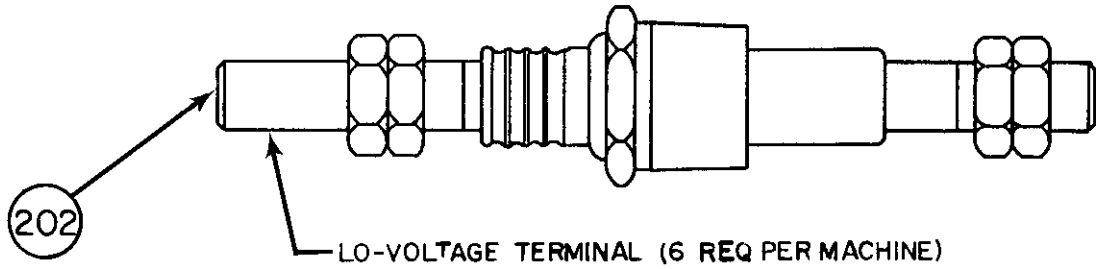
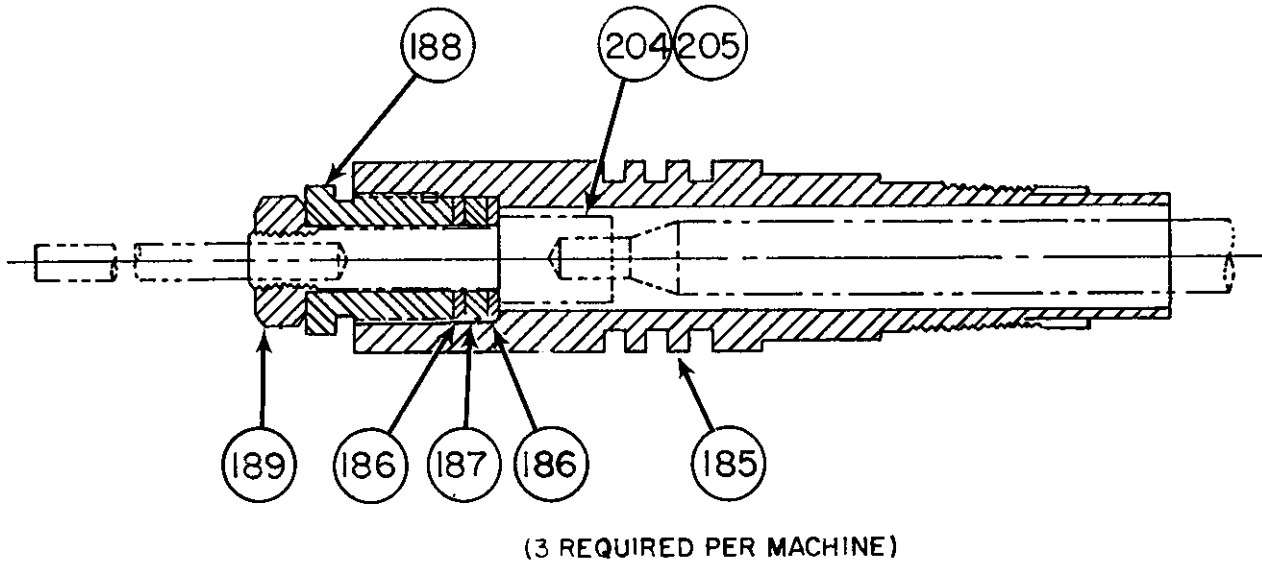
GUIDE VANE AND BLADE RING



#155 - OIL PUMP ASSEMBLY



LUBRICATION PACKAGE



**19DH MOTOR TERMINAL ARRANGEMENT
HC1 - HC9 MOTORS 2300 & 4160 VOLTS**

Model/Sales Package: 19DH031.....
Model 19DH031.....

Description CENTRIFUGAL COMPRESSOR PARTS, COMPR,SIZE31

Itm#	Qty	Rec	Part Number	Description
1	1	R	KM03BC262	PRESS.GAUGE 30"-0-60 PSI
2	1	-	19DA31841	PINION GEAR PACKAGE (60 HZ)
2A	1	-	19DA31181	PINION GEAG PACKAGE (50 HZ)
3	1	-	19DM660008	LABYRINTH ASSY (LO-VOLTAGE)
3A	1	-	19DM660009	LABYRINTH ASSY (HI-VOLTAGE): INCLUDES: ITEM 4 OR 4A
4	1	-	KK71PR047	> "O" RING (LO-VOLTAGE)
4A	1	-	KK71PR047	> "O" RING (HI-VOLTAGE)
6	1	-	KM36BZ002	SIGHT GLASS
10	1	-	19DH111104	MOTOR BEARING & LABYRINTH
11	1	-	KK71PR025	"O" RING
12	1	-	KK71GX193	"O" RING (11 -31 MOTORS)
13B	1	-	CT28MM204	"V" BAND,COUPLING 31 (ALL MTRS)
14A	1	-	19DH21112	FLG & NOZZLE ASY (21 C;31 C)
14C	1	-	19DH15143	SPRAY HEADER (21 HC1-HC6;31 HC4-HC10)
15	1	-	19DH211092	FELT RING (HI VOLTAGE ONLY)
17	1	-	CT28MM204	"V" BAND,COUPLING
18	1	-	KK71GX193	"O" RING
19	1	-	19DK112103	DEMISTOR
20	1	-	19DK119105333	GASKET,DEMISTOR
24	1	-	KK71ER371	"O" RING
25	1	-	CT28MM388	"V" BAND ,COUPLING
26	1	-	19D31244	BEARING ASSEMBLY
27	1	-	AU46AA721	LOCKWASHER
28	1	-	KT89ZZ420	LOCKNUT
29	1	-	CT28MM278	"V" BAND,COUPLING
30	1	-	KK71GX263	"O" RING
31	1	-	KK71PR005	"O" RING
32	1	-	19DH31102	LABYRINTH
34	1	-	19D311301	SPACER,IMPELLER
35	1	-	19D311551	SHIM,IMPELLER (LAM. ALUM)
36	1	-	19DH311002	SHAFT CAP
37	2	-	AE54FR167	SET SCREW
38	1	-	19D312181	LOCKWASHER
39	3	-	19D312191	LOCKING PIN
40	3	-	19DH3121032	IMPELLER KEY
44	6	-	KK73GV025	STATIC SEAL
45	1	-	KK71PR055	"O" RING
46	2	-	KM14BC222	GAUGE,TEMPERATURE 2" DUAL SCALE
48	1	-	17DA811822	COVER,SIGHT GLASS
49	1	-	KM39BT031	SIGHT GLASS,REFLEX (4 1/2" LG.)
50	2	-	KM39BT041	GASKET,SIGHT GLASS
52	1	-	19D31234	BEARING ASSEMBLY 60 HZ
52A	1	-	19D31464	BEARING ASSEMBLY 50 HZ
57	1	-	HH12HA105	THERMOSTAT,MOTOR WINDING
59	1	-	19DA660008	WIRING HARNESS (MOTOR HIGH TEMP): INCLUDES: ITEMS 59A-59D
59A	1	-	NOTAVAILABLE	> WIRE ASSEMBLY
59B	1	-	19DK1191102	> GROMMET (PART OF 59A)
59C	1	-	19DK2121052	> RETAINER
59D	1	-	AU49AR201	> SNAP RING
64	1	-	HH16NA019	THERMOSTAT,OIL HEATER (SET AT 140F)
65	1	-	HT32ZZ122	OIL HEATER (1000 W,115 -1- 50/60)
67	1	-	HY85FP031	TERMINAL,THERMOSTAT (5 PIN)
68	1	-	KK71GX020LA	"O" RING
69	1	-	HY19AD024	PILOT LIGHT (WHITE NEON)

Itm#	Qty	Rec	Part Number	Description
71	1	-	19DH33161	THRUST BEARING & SHAFT ASSEMBLY: INCLUDES: ITEMS 72-93
72	1	-	19DH311004	> SHAFT
73	1	-	AU49AR181	> RING,RETAINING,EXTERNAL
74	1	-	19D311292	> SLINGER
75	1	-	19DH31171	> BEARING & PIN PACKAGE
76	1	-	19D23841	> ADJUSTING PAD PACKAGE
77	12	-	19D320052	> LEVELING PAD
79	1	-	19DA33203	> THRUST SHOE PKG (6 SHOE SET)
80	1	-	19DA331014	> SPACER RING
81	1	-	19DA331012	> RETAINER
83	1	-	19DA33472	> SEAL RING & PIN
84	8	-	AU11AR101	> LOCKWASHER
85	8	-	AC41AA110	> SCREW,PAN HEAD
88	1	-	19DA11112	THERMOSTAT WIRE ASSEMBLY: INCLUDES: ITEM 89
89	1	-	19DA111402	> THERMOSTAT
91	2	-	AC15AA036	T'STAT MTG SCREW
92	1	-	19D3122821	> SHAFT CAP
93	3	-	19DH2121032	> KEY
114	1	-	19DA31143	BLADE RING ASSEMBLY: INCLUDES: ITEMS 115-125
115	1	-	19D212063	> DRIVE PULLEY
116	1	-	19D31192	> CABLE
117	9	-	KT53XL055	> BUSHING
118	1	-	19DA21001	> > PIN PACKAGE: INCLUDES: ITEMS 119-121
119	9	-	NOTAVAILABLE	> > > PIN
120	18	-	NOTAVAILABLE	> > > WASHER
121	18	-	AX01AA046	> > > COTTER PIN
122	9	-	19D211252	> IDLER PULLEY
123	8	-	19E211242	> BLADE PULLEY
124	9	-	19D311044	> PRE-WHIRL BLADE
125	18	-	KT53XL093	> BUSHING
126	1	-	19DM660010	SHAFT & SEAL ASSEMBLY (PRIOR 4/87): INCLUDES: ITEMS 127-143 NOTE: IF A COMPLETE NEW ASY IS REQ'D YOU MUST ORDER KIT 19DM660010.
127	1	-	19D211073	> BEARING HOUSING
128	1	-	19D211063	> SHAFT
131	1	-	AU46AR093	> RETAINING RING (OLDER TYPE SEAL): NOTE: ITEM 132 REPLACES OLD CARBON WASHER TYPE. IF THIS IS USED ITEMS 131 & 143 ARE NO LONGER NEEDED.
132	1	-	19C35014	> MECHANICAL SEAL (INCL'S IT'S 133&134)
133	1	-	KK74ZW181	> > QUAD RING
134	1	-	KK74ZW112	> > QUAD RING
135	1	-	CW51EG603	> OILER,TRANSPARENT (1/8" NPT)
136	1	-	KT59WL160	> THRUST WASHER (INNER)
137	1	-	KK71PR020	> "O" RING
138	1	-	KK71GZ018	> "O" RING
139	1	-	KT58BZ082	> FLANGED NYLINER
140	1	-	19DM2121282	> THRUST WASHER (OUTER)
141	1	-	AU45AR187	> RETAINING RING
142	1	-	KT90UL087	> OIL SEAL
143	1	-	19D211381	> WASHER (OLDER TYPE SEAL)
144	1	-	HF26BB061	MOTOR ACTUATOR(INCL'S IT #145)
145	1	-	HT24AV120	POTENTIOMETER
146	1	-	19D232152	CRANK ARM (UPPER)
147	2	-	HF91BB125	CONNECTOR,LINKAGE
152	1	-	19DG1121002	PUSH ROD
153	1	-	19D212152	CRANK ARM (LOWER)
155	1	-	19DK111444	OIL PUMP ASSY (200-240V-3-60 HZ)

Itm#	Qty	Rec	Part Number	Description
155A	1	-	19DK311444	OIL PUMP ASSY (380-600V-3-60 HZ)
155B	1	-	19DK311454	OIL PUMP ASSY (310-440V-3-50 HZ): INCLUDES: ITEMS 156-183
156	1	-	KK71PR035	> "O" RING
157	1	-	CA99RA101	> MAGNETIC PLUG
158	1	-	KK71PR030	> "O" RING
159	2	-	AE17AR166	> SET SCREW (SPOT DRILL STATOR)
160	1	-	19D312382	> RING (FILTER)
161	1	R	KH09AZ002	> FILTER CARTRIDGE
162	1	-	19D312134	> PLUG (FILTER)
163	1	-	19D211011	> CLAMPING RING
165	1	-	EP23LA155	> ANGLE VALVE
166	1	-	19D31723	> COOLING COIL
167	1	-	19D211071	> SPRING
168	1	-	19DK119102333	> GASKET
169	1	-	19D32841	> PUMP & MOTOR PKG (200-480V 60 HZ.)
169A	1	-	19D37841	> PUMP & MOTOR PKG (550-600V 60 HZ.)
169B	1	-	19D36841	> PUMP & MOTOR PKG (220-415V 50 HZ.): NOTE: PUMP PACKAGES (ITEM #169)INCLUDE ALL PARTS OF PUMP FROM GASKET
170	2	-	19DK119103233	> GASKET,COIL
171	2	-	19D211061	> WASHER,COIL
172	4	-	19D311021	> VANE,PUMP (60 HZ)
172A	4	-	17CA611181	> VANE,PUMP (50 HZ)
173	1	-	19D211323	> HOUSING (60 HZ)
174	1	-	19D211002	> VALVE PISTON
175	1	-	KA38BR020	> SPRING
176	1	-	19D311012	> SPRING RETAINER
177	1	-	KK71PR010	> "O" RING
178	1	-	19DA660003	> TERMINAL ARRANGEMENT: INCLUDES: ITEMS 179-181
179	3	-	HY85FP060	> > TERMINAL
180	3	-	CA53AA052	> > BUSHING
181	3	-	312004	> > CONNECTOR
182	1	-	19D312372	> CLAMPING ROD
183	1	-	AT55BA201	> LOCKNUT (5/8 - 18)
184	1	-	NOPKGAVAL	HI-VOLTAGE TERMINAL ARRGT: INCLUDES: ITEMS 185-189
185	3	-	19FA680013	> TERMINAL INSULATOR
186	6	-	19FA5021242	> TERMINAL RETAINER
187	3	-	19FA5021232	> PACKING RING
188	3	-	19FA5021222	> PACKING NUT
189	3	-	AT14QA311	> JAM NUT
202	6	-	19DA111502	LO VOLTAGE TERMINAL
204	3	-	19EA41004	ADAPTER (.611 DIA. CABLE)
205	3	-	19EA41005	ADAPTER (.789 DIA.CABLE)
210	1	-	19XL680001	O-RING LUBRICANT
211	1	-	19XL680002	GASKET SEALANT