



**OPEN DRIVE CENTRIFUGAL  
LIQUID CHILLER R134A  
W/EXTERNAL GEAR**

**17EX**

SIZE: 005

SERIES: EXTERNAL

**SERVICE PARTS GUIDE**

<b>GRAPHICS CATALOG INDEX</b>	<b>Revision A</b>
PAGE:	
MACHINE ASSEMBLY GRAPHICS.....	1 - 16

<b>PARTS LIST CATALOG INDEX</b>	<b>Revision A</b>
PAGE:	
17EX 5 EXTERNAL GEAR.....	1 - 8

**ATTENTION: PLEASE FILE THIS INFORMATION AS A FINAL RELEASE**

Attached you will find information that will be released as a two part Service Parts Guide. A Service Parts Guide consists of "Graphics Catalog" and "Parts List Catalog". The common link between these two types of catalogs is the CATALOG NUMBER ONLY!! The revision block that follows the Catalog No. is used as a way to update one or both parts of the Service Parts Guide. This Index Page is a reference to let the Service Parts Center know what has been released on the model listed above.

Information about This Release      1/26/00

<b>Parts List Catalog</b>	
Catalog No: RCD-3517-025 (1/00)	Rev. _____
Supersedes: (1/98)	Rev. _____

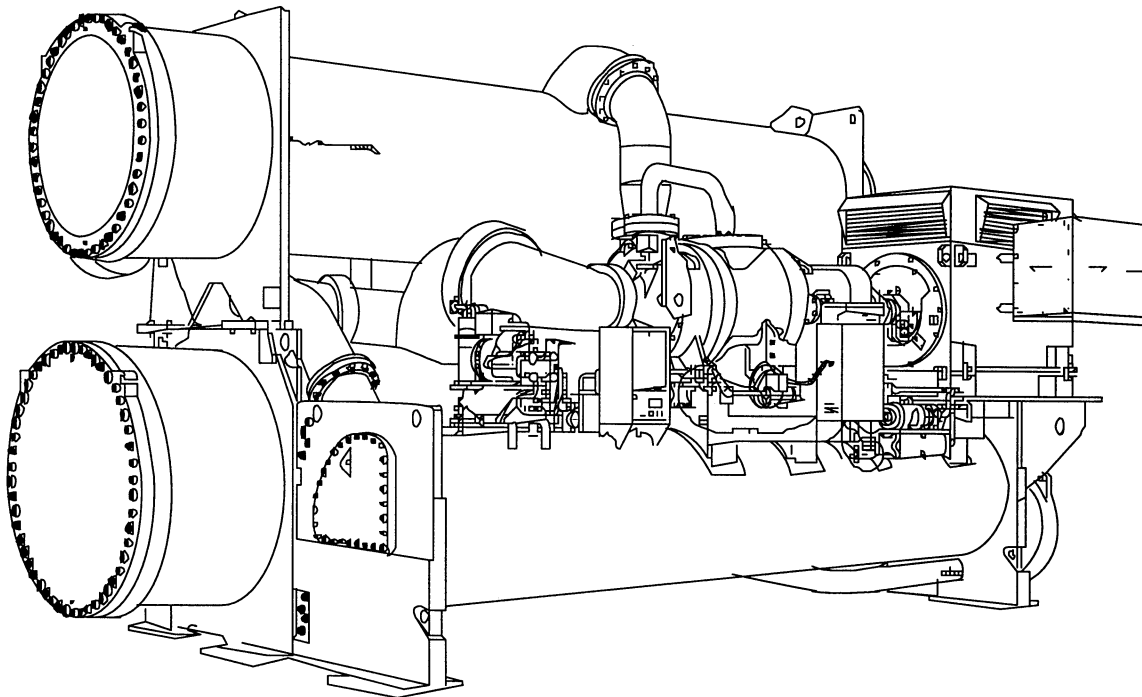
INDEX  
Litho in U.S.A



Electronic Graphics 17025000



**SERVICE PARTS GUIDE FOR 17EX WITH EXTERNAL GEAR INCLUDING FRAME  
#5 COMPRESSOR, #4 COOLERS AND FRAME #4 AND #5 CONDENSERS**



1. THIS CATALOG PRESENTS THE MOST COMMONLY USED SPECIFIED PARTS FOR THE STANDARD 17EX CENTRIFUGAL REFRIGERATION MACHINE WITH A EXTERNAL GEAR AND IS NOT APPLICABLE TO ANY SPECIAL ORDER MACHINES. (CONTACT CARRIER WITH MACHINE SERIAL NUMBER FOR ANY SPECIAL ORDER UNIT PARTS.
2. TO LOCATE REQUIRED PART REFER TO THE UNIT ILLUSTRATIONS THAT FOLLOW IN THIS CATALOG TO OBTAIN THE ITEM NUMBER THEN REFER TO THE PARTS LISTING FOR THE DESCRIPTION, QUANTITY AND PART NUMBER OF REQUIRED PART.
3. OCCASIONALLY DUE TO LIMITATIONS OF ILLUSTRATIONS USED, A PART MAY NOT BE ILLUSTRATED, THESE PARTS ARE IDENTIFIED BY "N" IN THE COLUMN NEXT TO THE ITEM NUMBER.
4. THE FOLLOWING PARTS ARE NOT LISTED IN THIS CATALOG.
  - A. IMPELLERS, SHROUDS
  - B. COMPRESSOR MOTOR
  - C. EVAPORATOR TUBE PART NUMBERS
  - D. CONDENSER TUBE PART NUMBERS
  - E. EXTERNAL GEAR

IF ANY OF THESE PARTS ARE REQUIRED, CONTACT YOUR CARRIER REPRESENTATIVE WITH THE MODEL AND SERIAL NUMBER OF YOUR MACHINE.  
MACHINE.
5. POSITIVE IDENTIFICATION OF YOUR MACHINE TO PROPERLY SELECT PARTS MAY BE DONE BY REFERRING TO THE MACHINE NAME PLATE. SEE SIGNIFICANCE CHART ON PAGE #2.

Graphics Catalog

Catalog No: RCD-3517-025 (1/98)

Rev.

Supersedes:

Rev.

Note: See "Catalog Notes" on last page for explanation of symbolism.

Graphics Page: 1

Litho in U.S.A





**OPEN DRIVE CENTRIFUGAL  
LIQUID CHILLER R134A  
W/EXTERNAL GEAR**

**17EX**

SIZE: 005

SERIES: EXTERNAL

**MODEL NUMBER SIGNIFICANCE CHART**

**1 7 E X 4 8 5 7 5 3 3 G F A 6 6 2 -**

**MODEL**

**COOLER CODE**

FR #45, FR #46, FR #47, FR #48  
1ST. DIGIT= FRAME SIZE

**CONDENSER CODE**

FR #45, FR #46, FR #47, FR #55,  
FR #56, FR #57  
1ST. DIGIT = FRAME SIZE

**GEAR CODE**

<u>RATIO</u>	
G	= 2.161
J	= 2.320
L	= 2.488
N	= 2.658
P	= 2.786
S	= 3.231

**COMPRESSOR CODE**

1ST. DIGIT = FRAME SIZE  
2ND. DIGIT = SHROUD SIZE  
3RD. DIGIT = IMP. NUMBER

**OPEN MOTOR CODE**

FA, FF = 1250 HP, TYPE ODP  
 FB, FG = 1500 HP,  
 FC, FJ = 1750 HP,  
 FD, FK = 2000 HP,  
 HA, HF = 1250 HP, TYPE WP11  
 HB, HG = 1500 HP,  
 HC, HJ = 1750 HP,  
 HD, HK = 2000 HP,  
 JA, JF = 1250 HP, TYPE TEWAC  
 JB, JG = 1500 HP,  
 JC, JJ = 1750 HP,  
 JD, JK = 2000 HP,  
 FH = 1600 HP, TYPE ODP  
 HH = 1600 HP, TYPE WP11  
 JH = 1600 HP, TYPE TEWAC

**MOTOR VOLTAGE CODE**

53	= 3000-3-50,	65	= 3300-3-60
54	= 3300-3-50,	66	= 4160-3-60
55	= 6300-3-50,	67	= 6900-3-60
64	= 2400-3-60		

**WATERBOX CODE**

- 1 - MARINE COOLER / MARINE COND.
- 2 - MARINE COOLER / NIH COND.
- 3 - NIH COOLER / MARINE COND.
- 4 - NIH COOLER / NIH COND.

**SPECIAL ORDER CODE**

- = STANDARD UNIT  
S = SPECIAL ORDER

Graphics Catalog

Catalog No: RCD-3517-025 (1/98)

Rev.

Supersedes:

Rev.

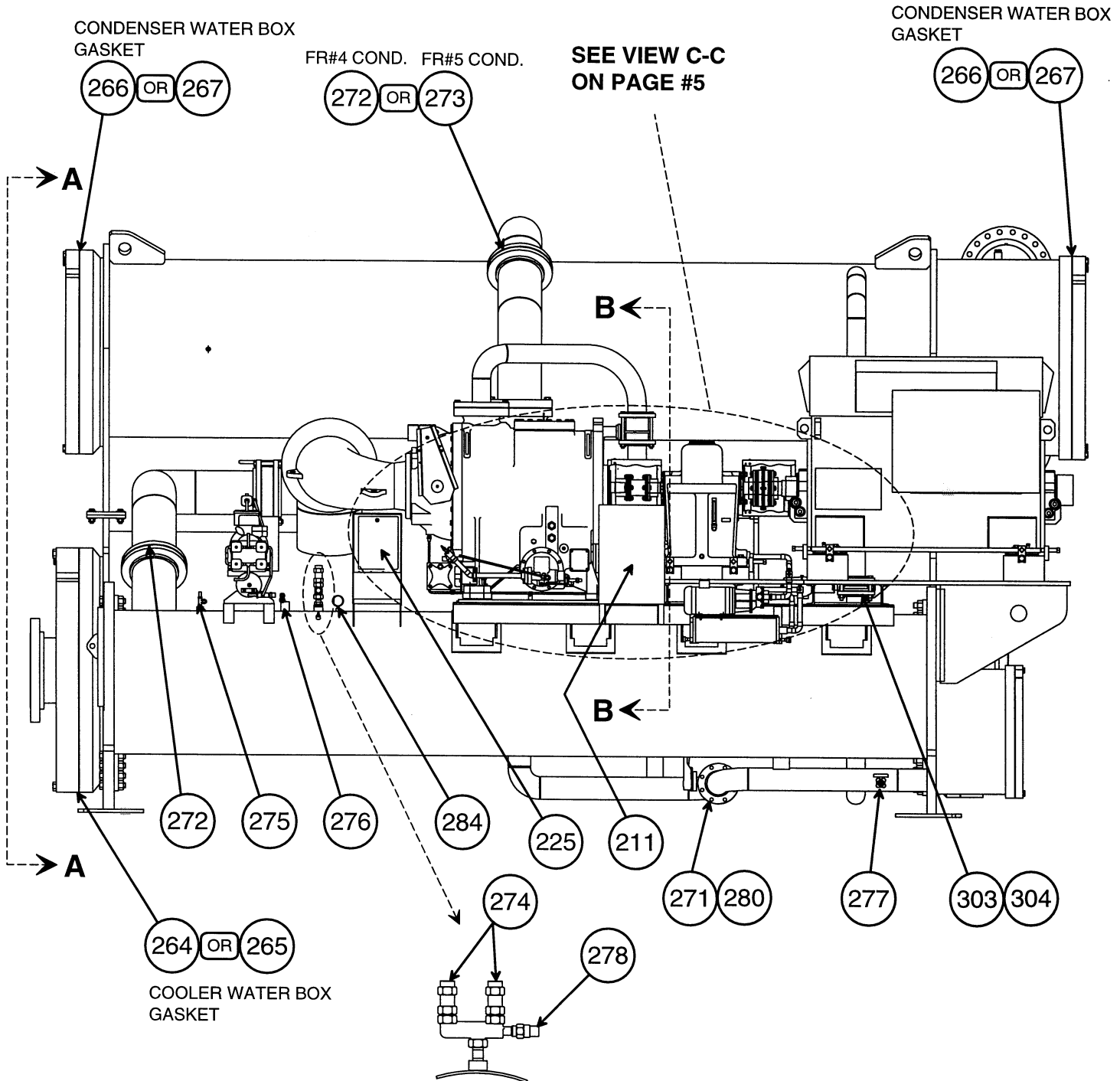
Note: See "Catalog Notes" on last page for explanation of symbolism.

Graphics Page: 2

Litho in U.S.A



Electronic Graphics 17025002



Graphics Catalog

Catalog No: RCD-3517-025 (1/98)

Rev.

Supersedes:

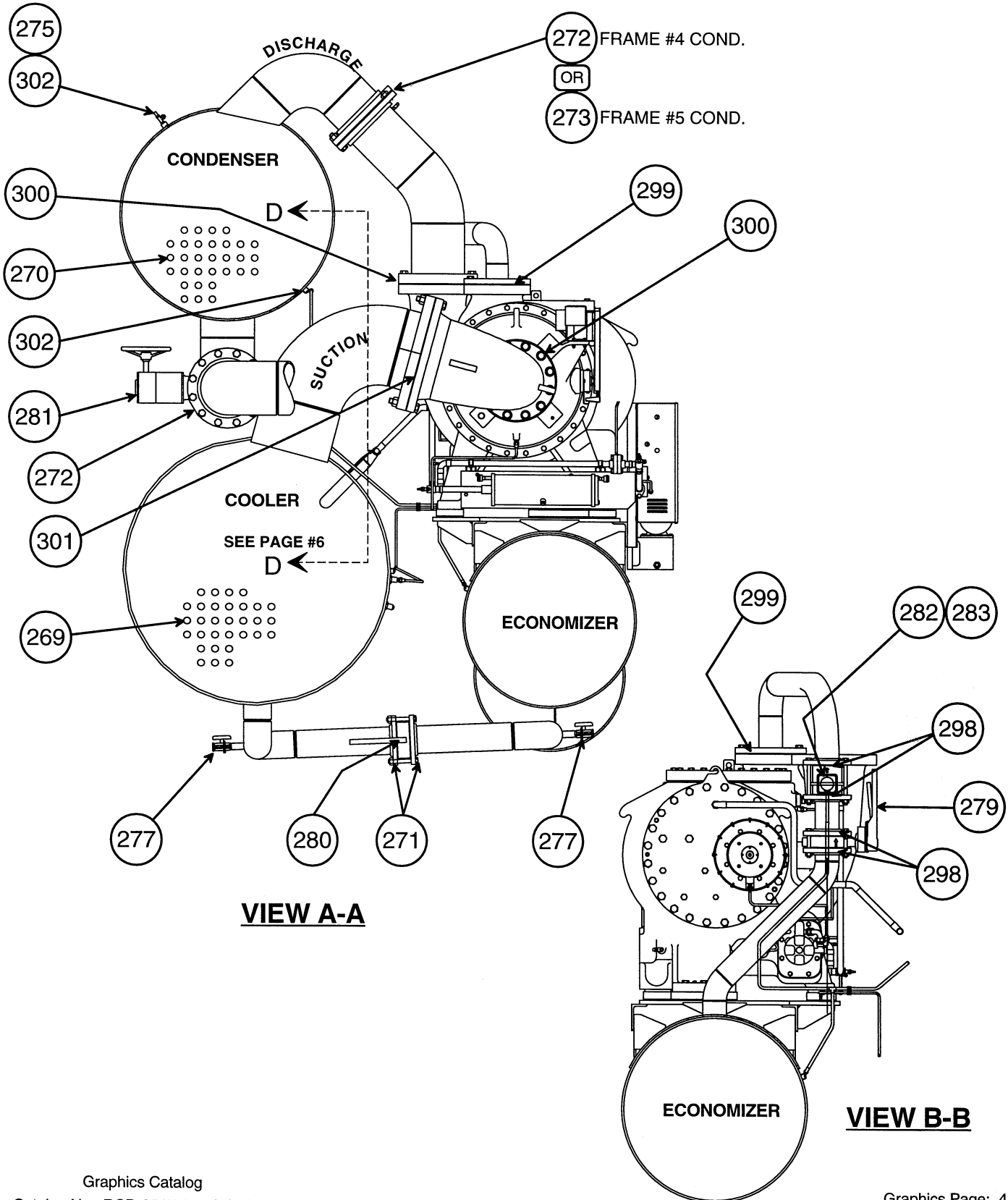
Rev.

Note: See "Catalog Notes" on last page for explanation of symbolism.

Graphics Page: 3

Litho in U.S.A





**VIEW A-A**

**VIEW B-B**

Graphics Catalog

Catalog No: RCD-3517-025 (1/98)

Rev.

Supersedes:

Rev.

Note: See "Catalog Notes" on last page for explanation of symbolism.

Graphics Page: 4

Litho in U.S.A

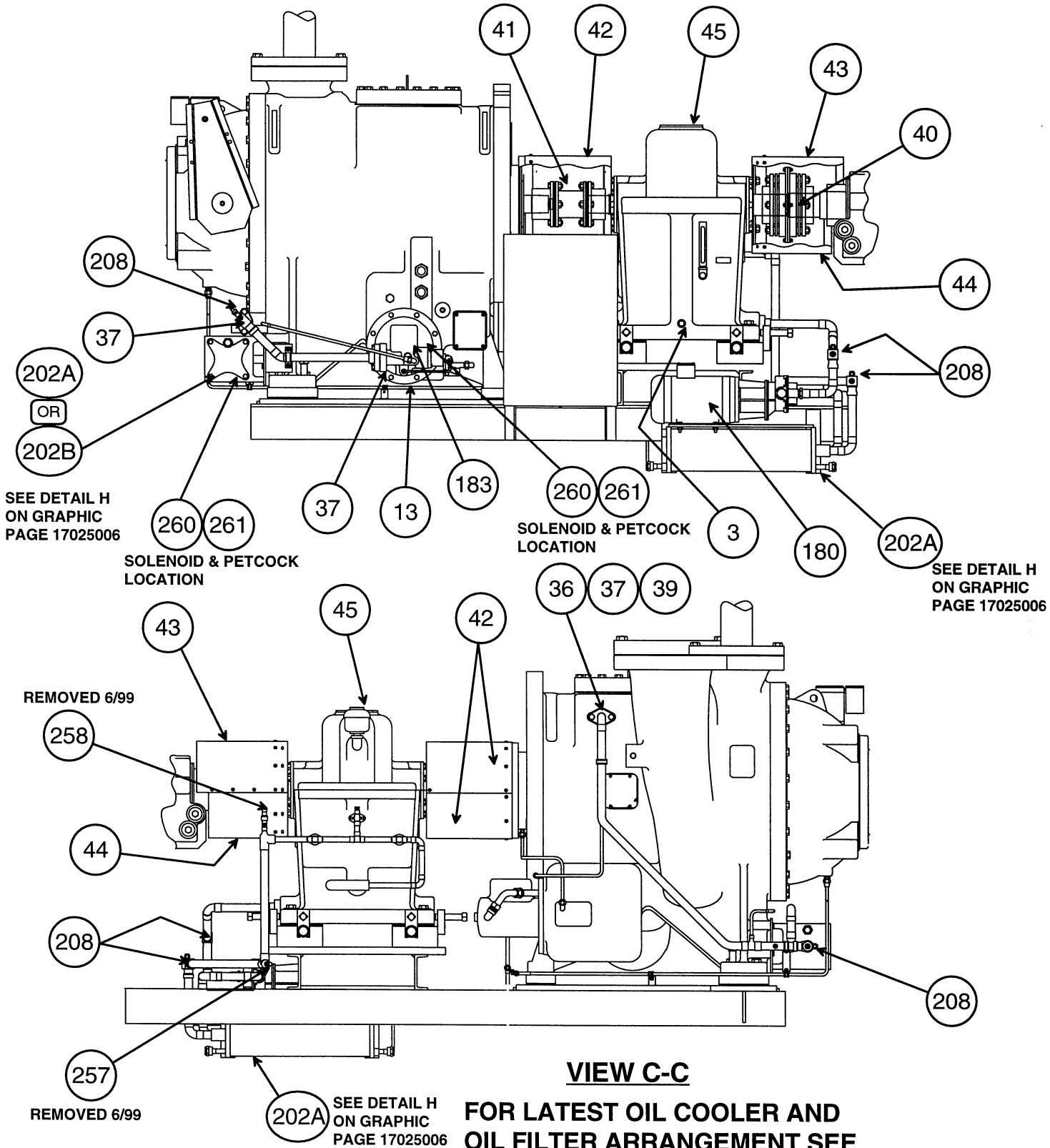


**OPEN DRIVE CENTRIFUGAL  
LIQUID CHILLER R134A  
W/EXTERNAL GEAR**

**17EX**

SIZE: 005

SERIES: EXTERNAL



SEE DETAIL H  
ON GRAPHIC  
PAGE 17025006

SOLENOID & PETCOCK  
LOCATION

SOLENOID & PETCOCK  
LOCATION

SEE DETAIL H  
ON GRAPHIC  
PAGE 17025006

REMOVED 6/99

REMOVED 6/99

SEE DETAIL H  
ON GRAPHIC  
PAGE 17025006

**FOR LATEST OIL COOLER AND  
OIL FILTER ARRANGEMENT SEE  
GRAPHICS PAGE 17025017**

Graphics Catalog

Catalog No: RCD-3517-025 (1/98)

Rev.

Supersedes:

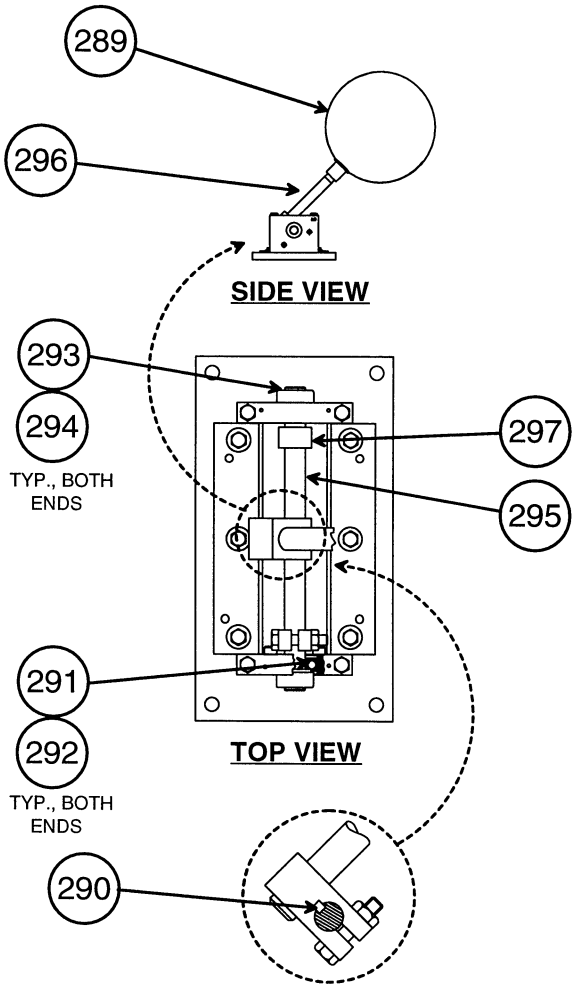
Rev.

Note: See "Catalog Notes" on last page for explanation of symbolism.

Graphics Page: 5

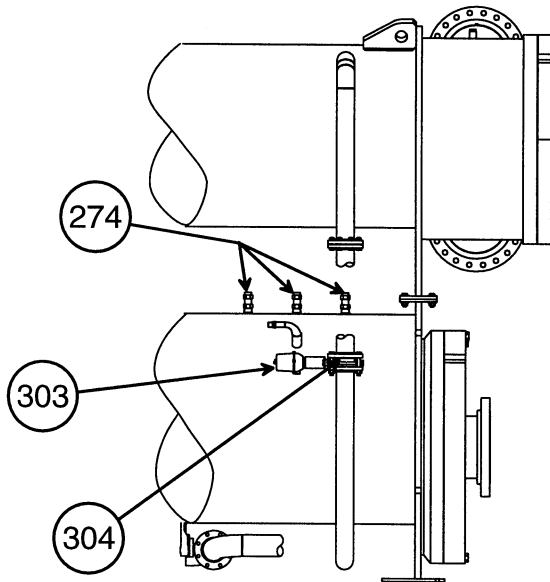
Litho in U.S.A



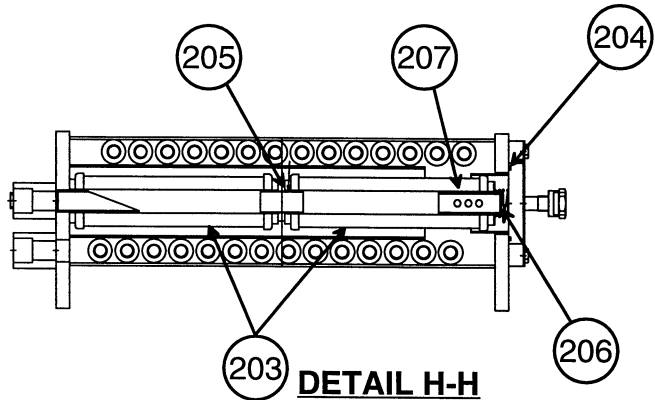


**FLOAT VALVE ASY**

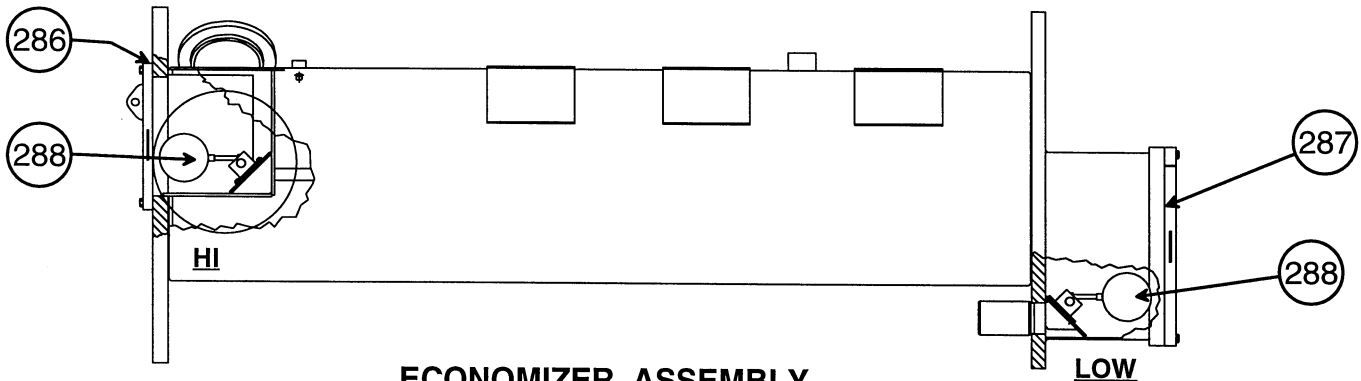
(SEE MACHINE DATA SHEET TO DETERMINE ASSEMBLY NUMBER)



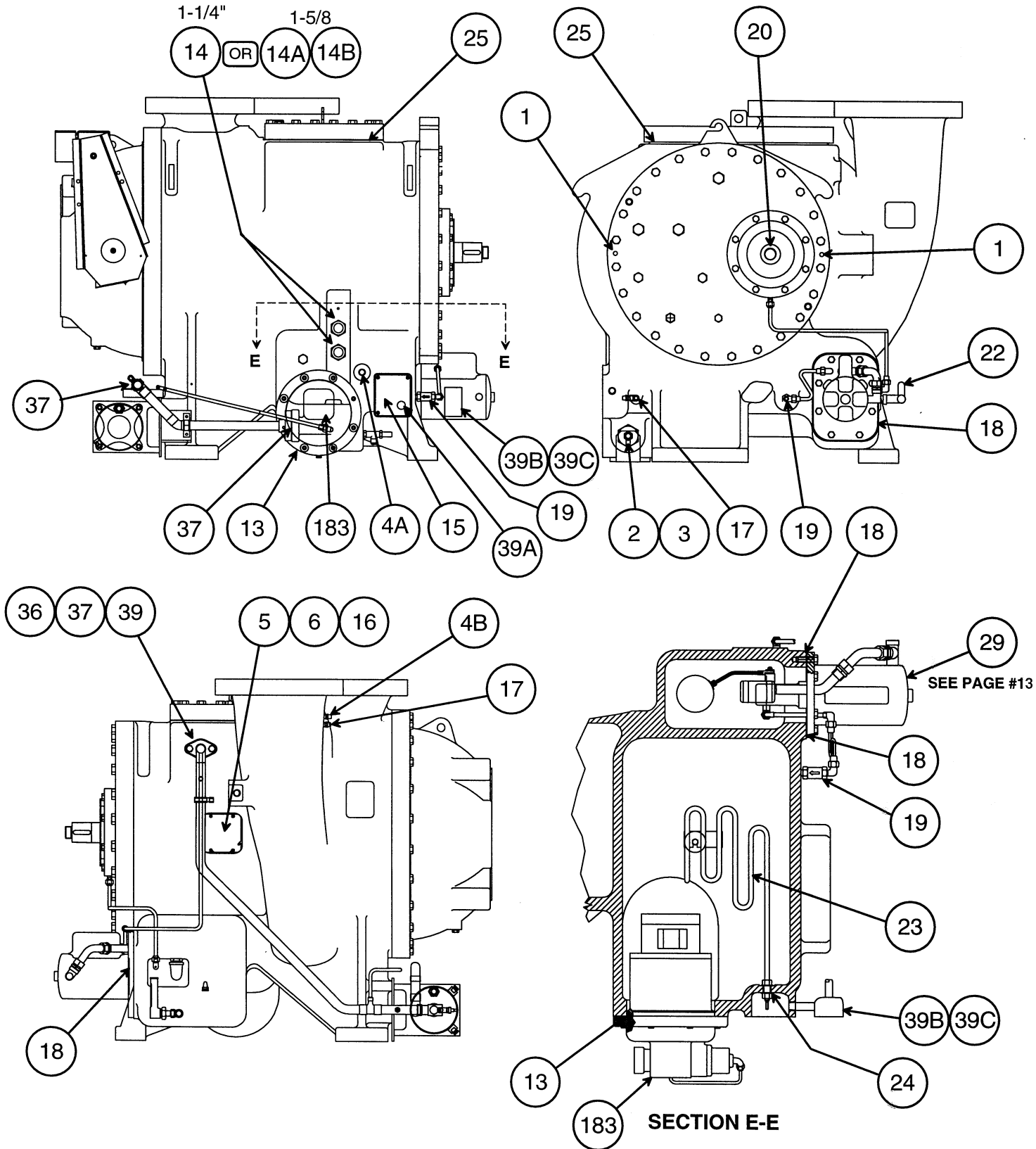
**SECTION D-D**



**DETAIL H-H  
OIL COOLER ASY**



**ECONOMIZER ASSEMBLY**



Graphics Catalog

Catalog No: RCD-3517-025 (1/98)

Rev.

Supersedes:

Rev.

Note: See "Catalog Notes" on last page for explanation of symbolism.

Graphics Page: 7

Litho in U.S.A

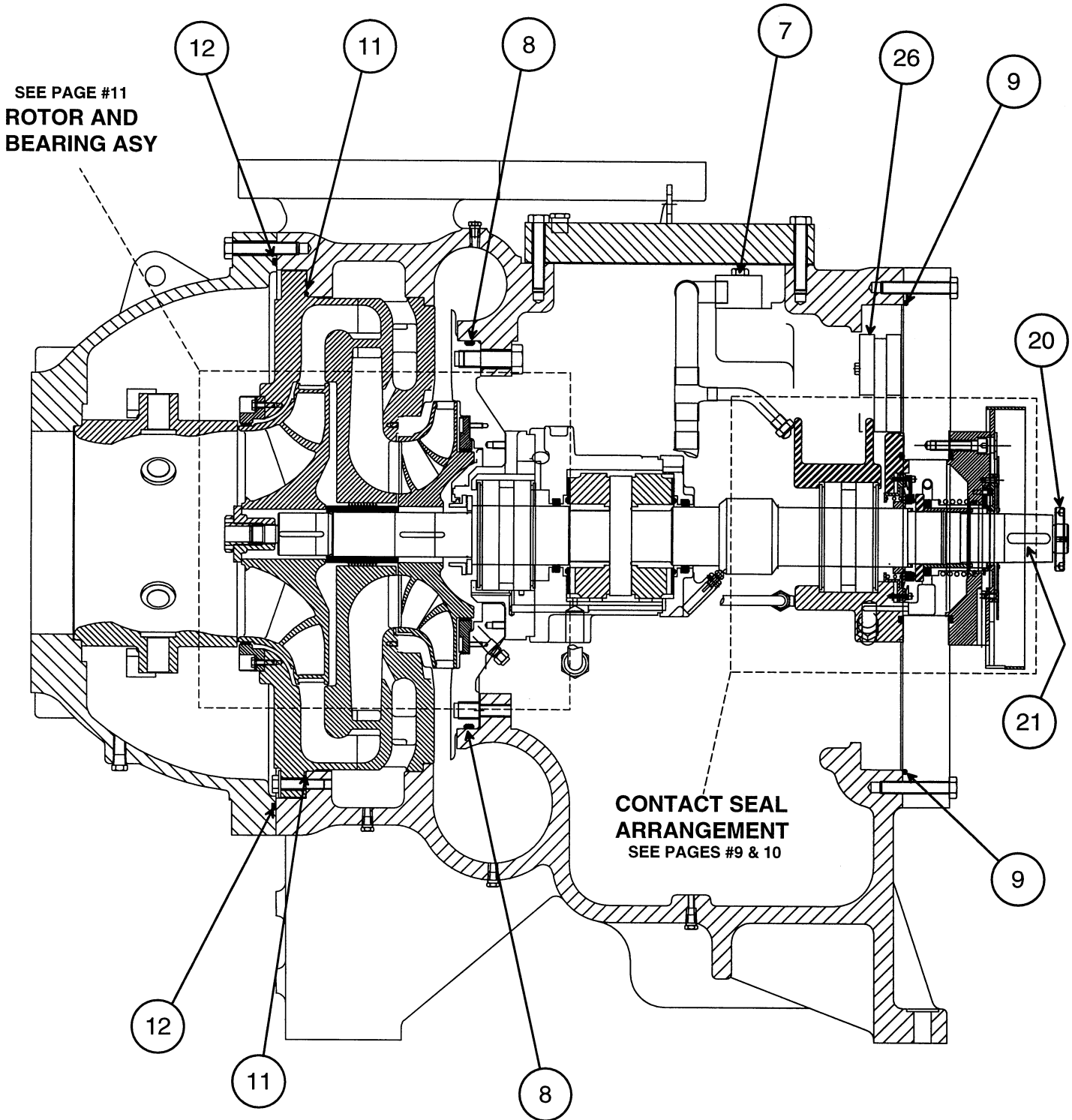


**OPEN DRIVE CENTRIFUGAL  
LIQUID CHILLER R134A  
W/EXTERNAL GEAR**

**17EX**

SIZE: 005

SERIES: EXTERNAL



Graphics Catalog

Catalog No: RCD-3517-025 (1/98)

Rev.

Supersedes:

Rev.

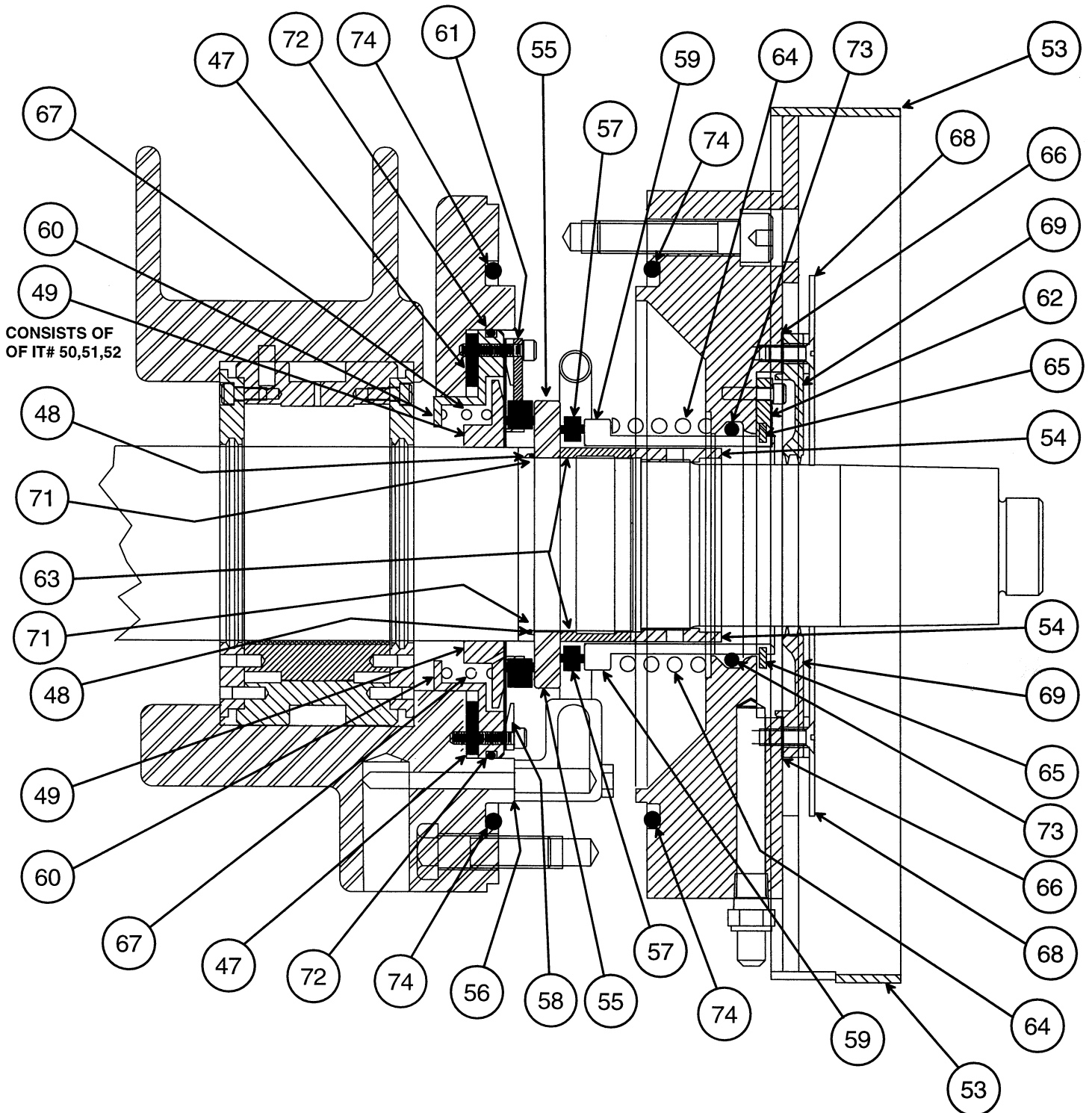
Note: See "Catalog Notes" on last page for explanation of symbolism.

Graphics Page: 8

Litho in U.S.A



**Electronic Graphics 17025008**



**CONTACT SEAL ARRANGEMENT**

(REFER TO PAGE #10 FOR OPTIONAL SEAL ARRANGEMENT)

Graphics Catalog

Catalog No: RCD-3517-025 (1/98)

Rev.

Supersedes:

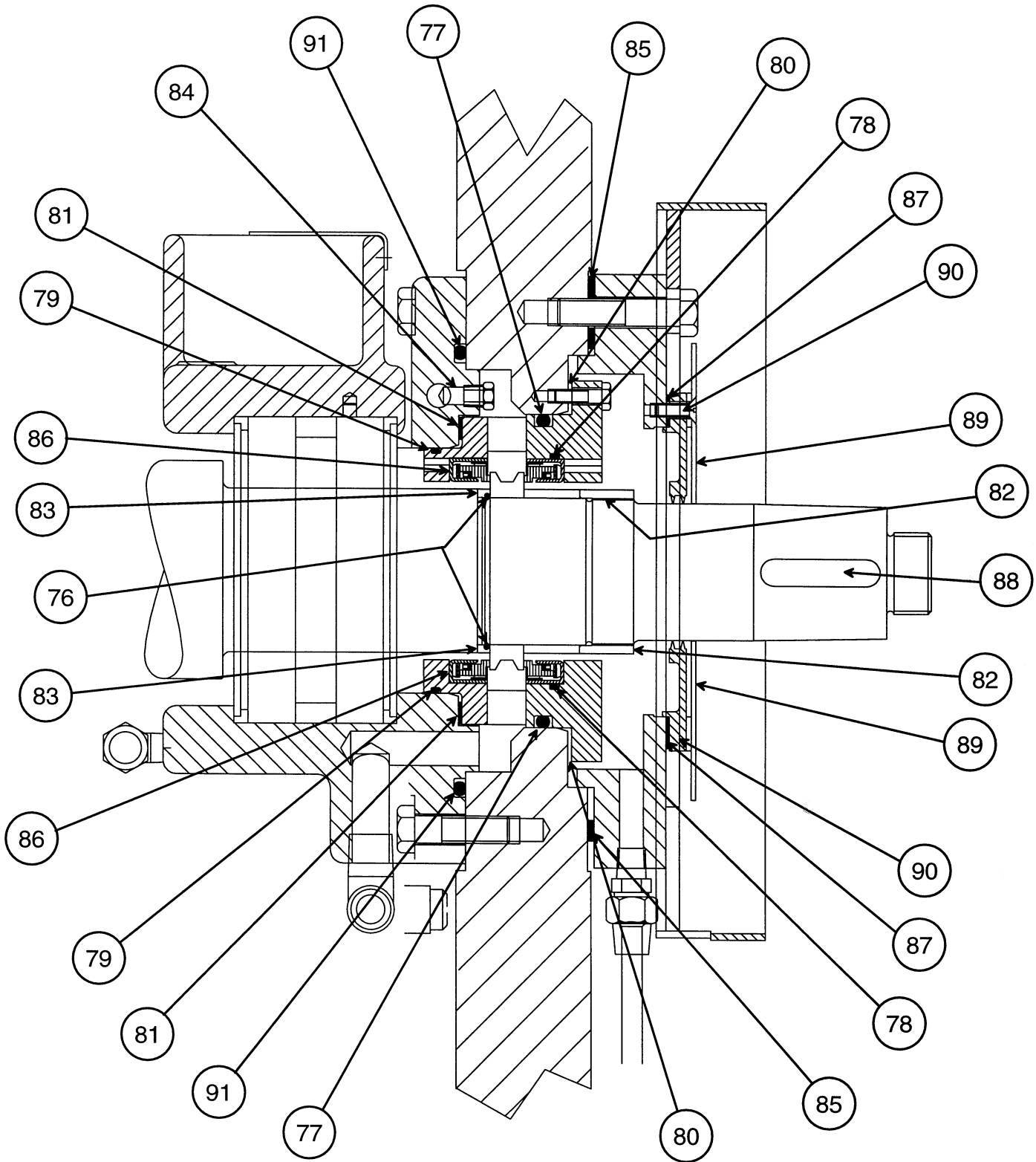
Rev.

Note: See "Catalog Notes" on last page for explanation of symbolism.

Graphics Page: 9

Litho in U.S.A





**CONTACT SEAL ARRANGEMENT**

(SEE PAGE #9 FOR OPTIONAL SEAL ARRANGEMENT)

Graphics Catalog

Catalog No: RCD-3517-025 (1/98)

Supersedes:

Rev.

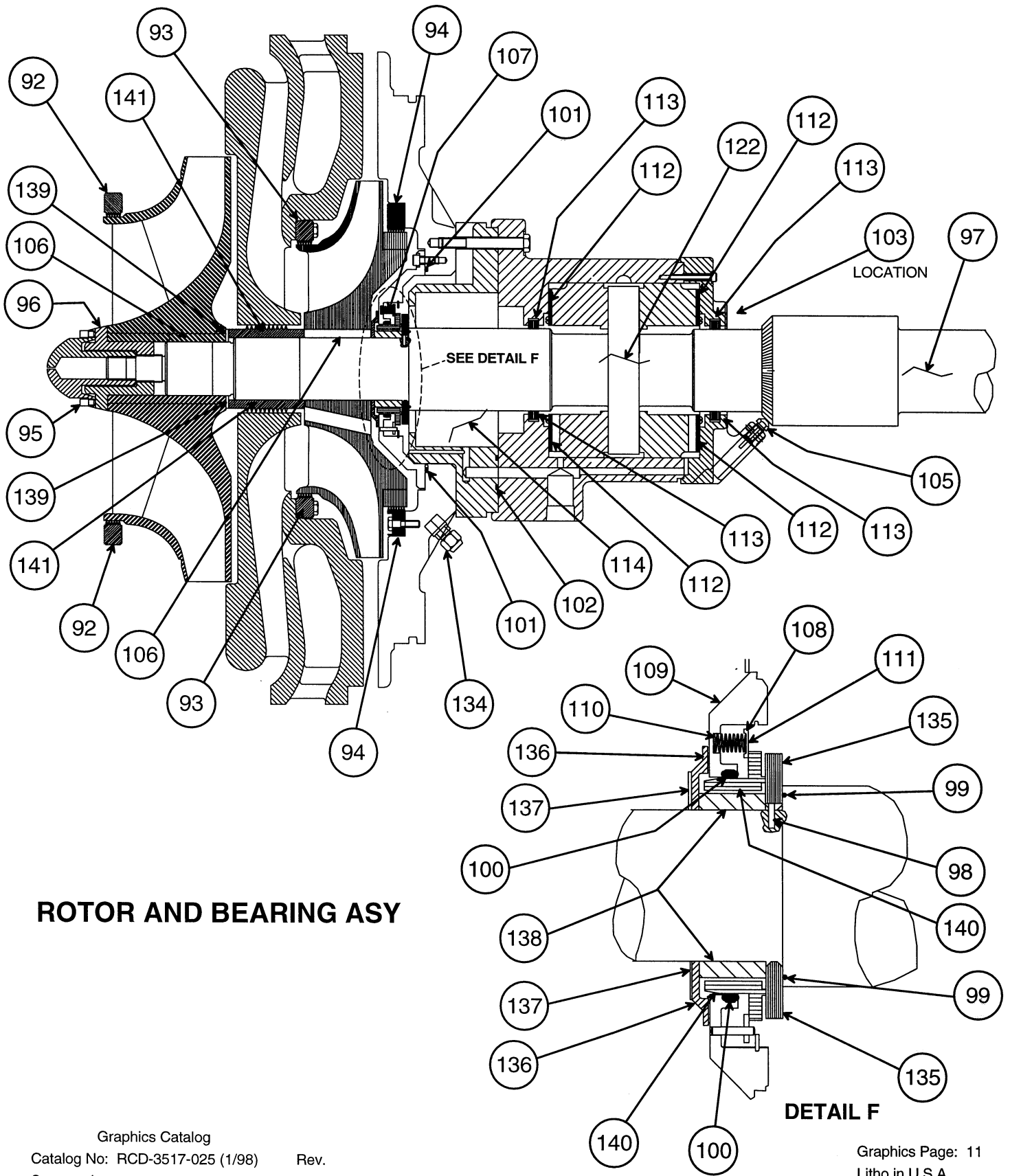
Rev.

Graphics Page: 10

Litho in U.S.A

Note: See "Catalog Notes" on last page for explanation of symbolism.



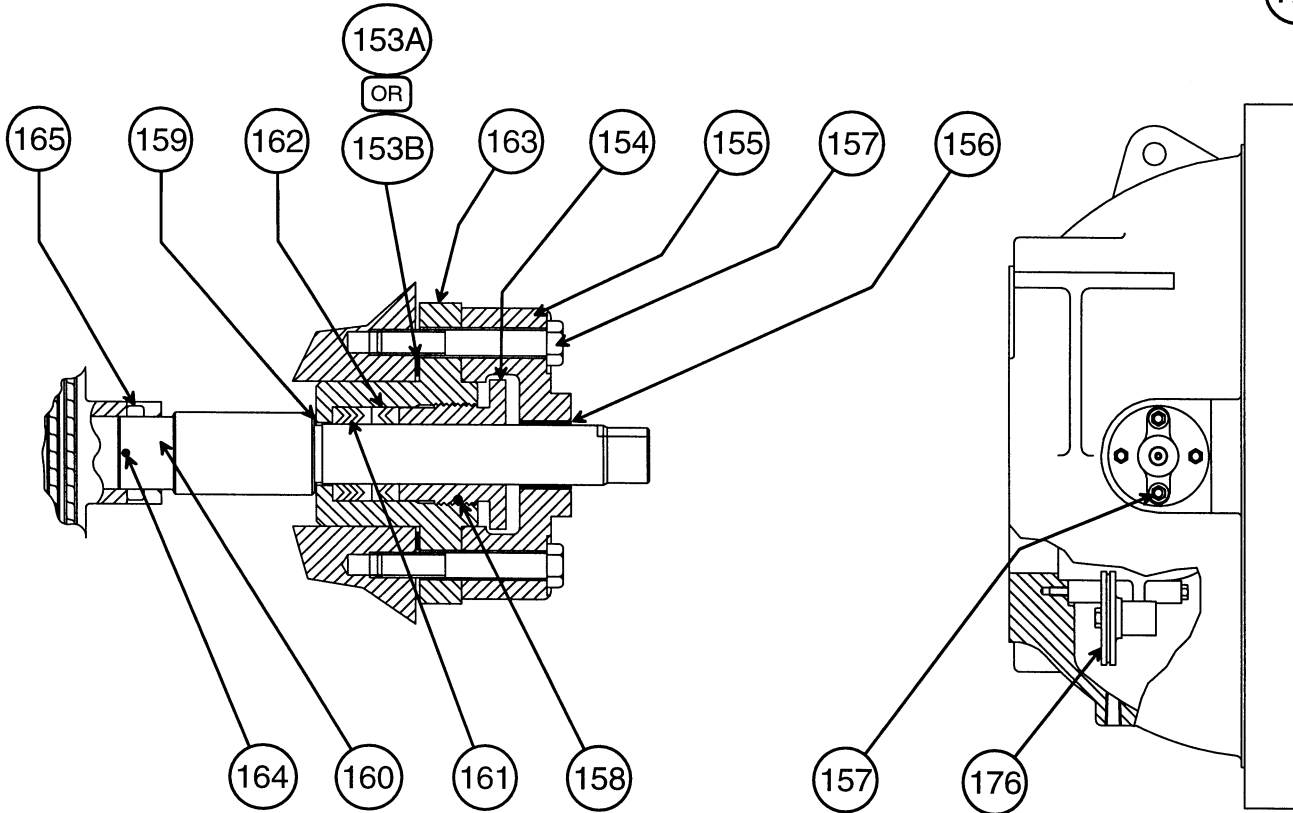
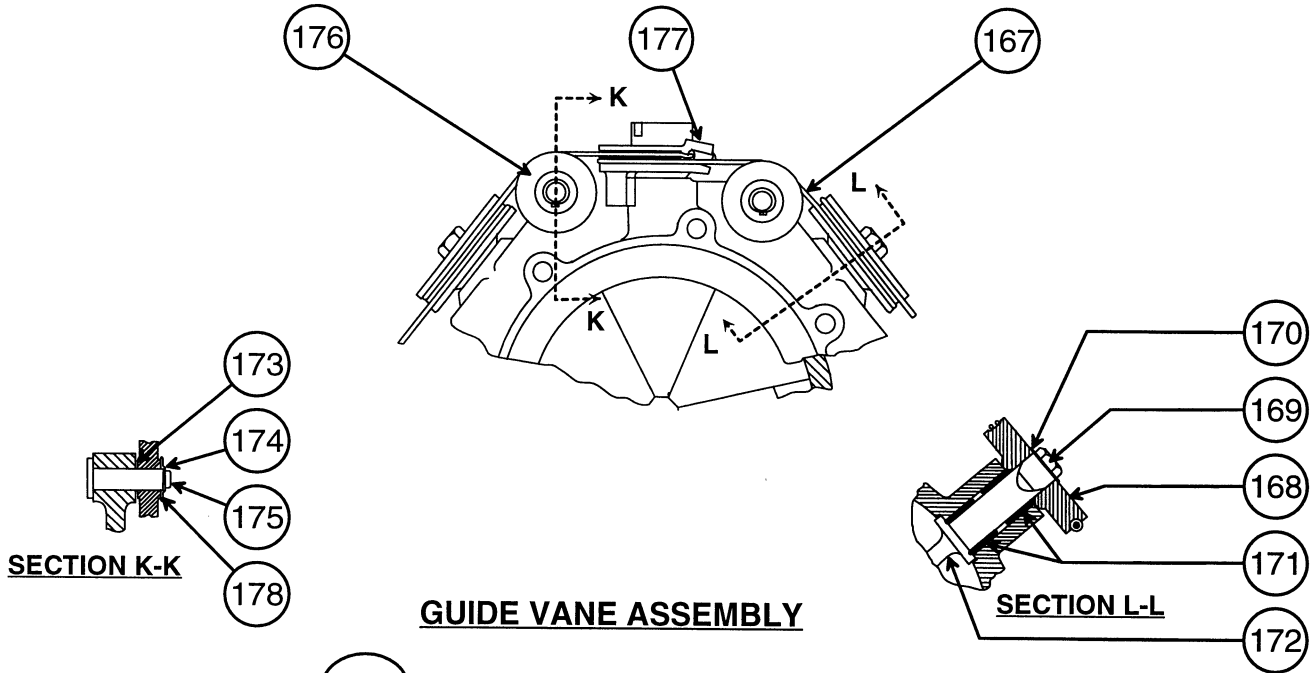


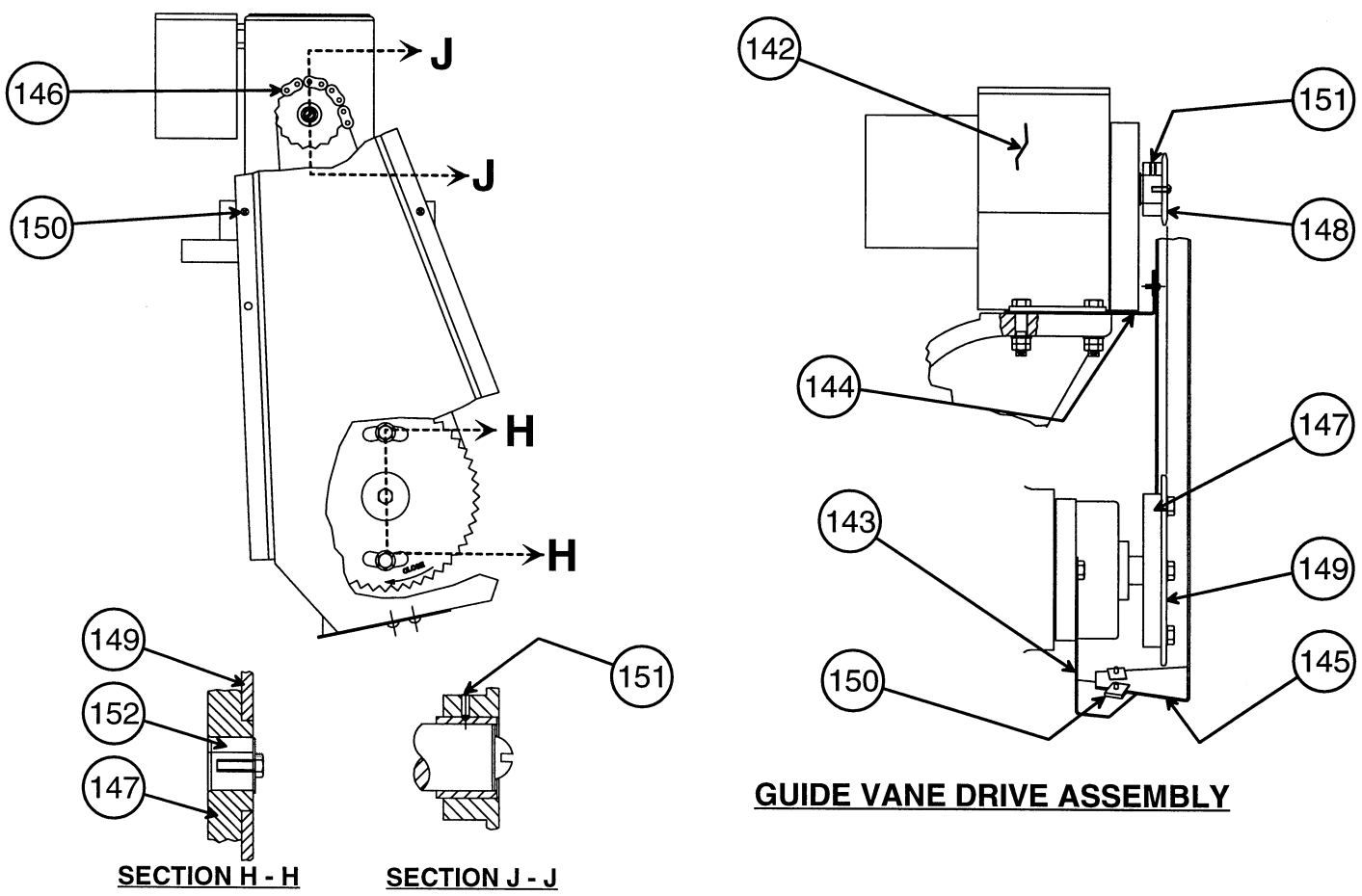
**ROTOR AND BEARING ASY**

**DETAIL F**

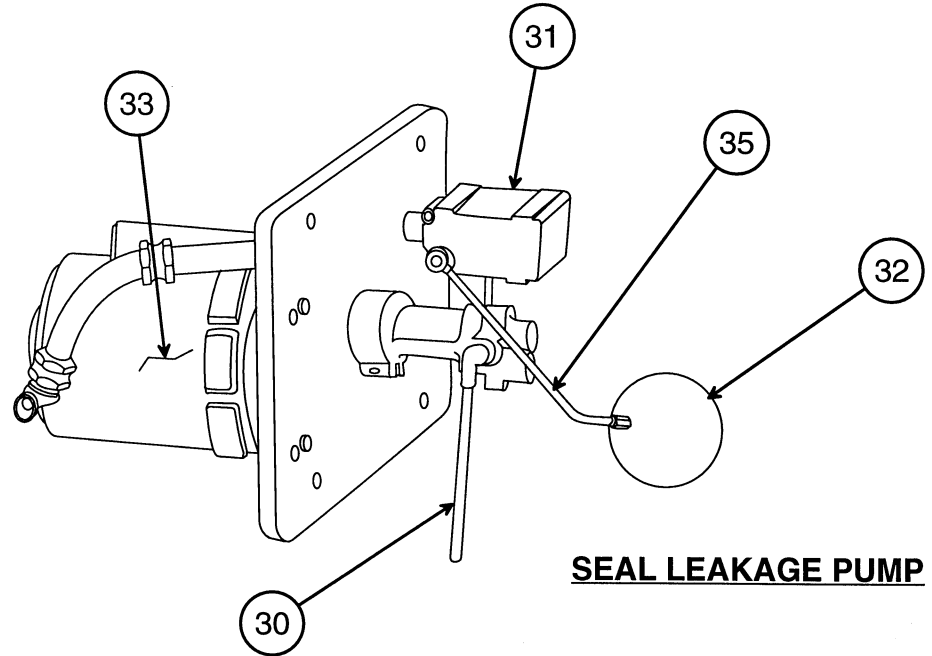
Graphics Catalog  
 Catalog No: RCD-3517-025 (1/98) Rev.  
 Supersedes: Rev.  
 Note: See "Catalog Notes" on last page for explanation of symbolism.

Graphics Page: 11  
 Litho in U.S.A.

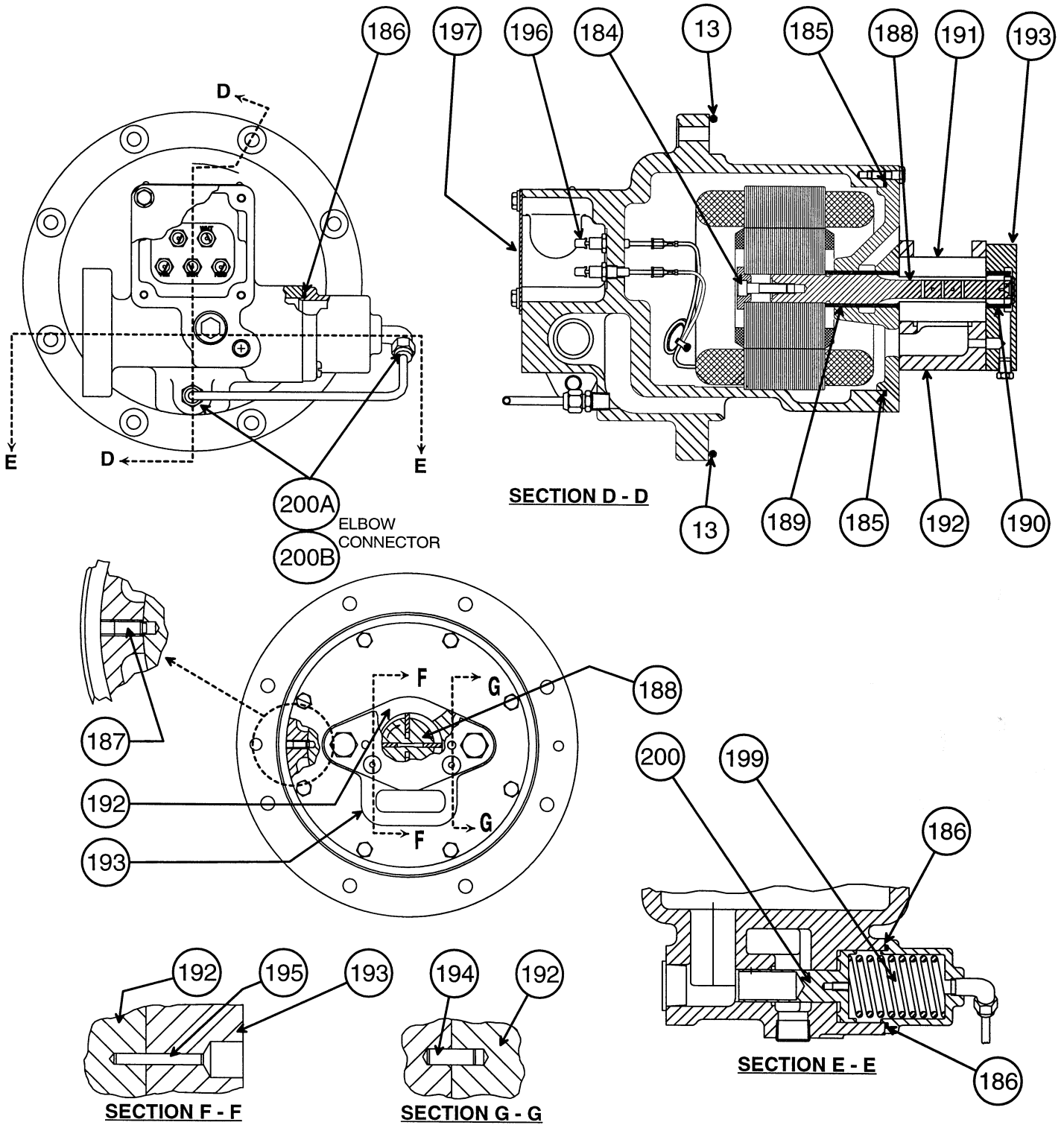




**GUIDE VANE DRIVE ASSEMBLY**



**SEAL LEAKAGE PUMP**



**OIL PUMP AND MOTOR ASSEMBLY**

Graphics Catalog

Catalog No: RCD-3517-025 (1/98)

Rev.

Supersedes:

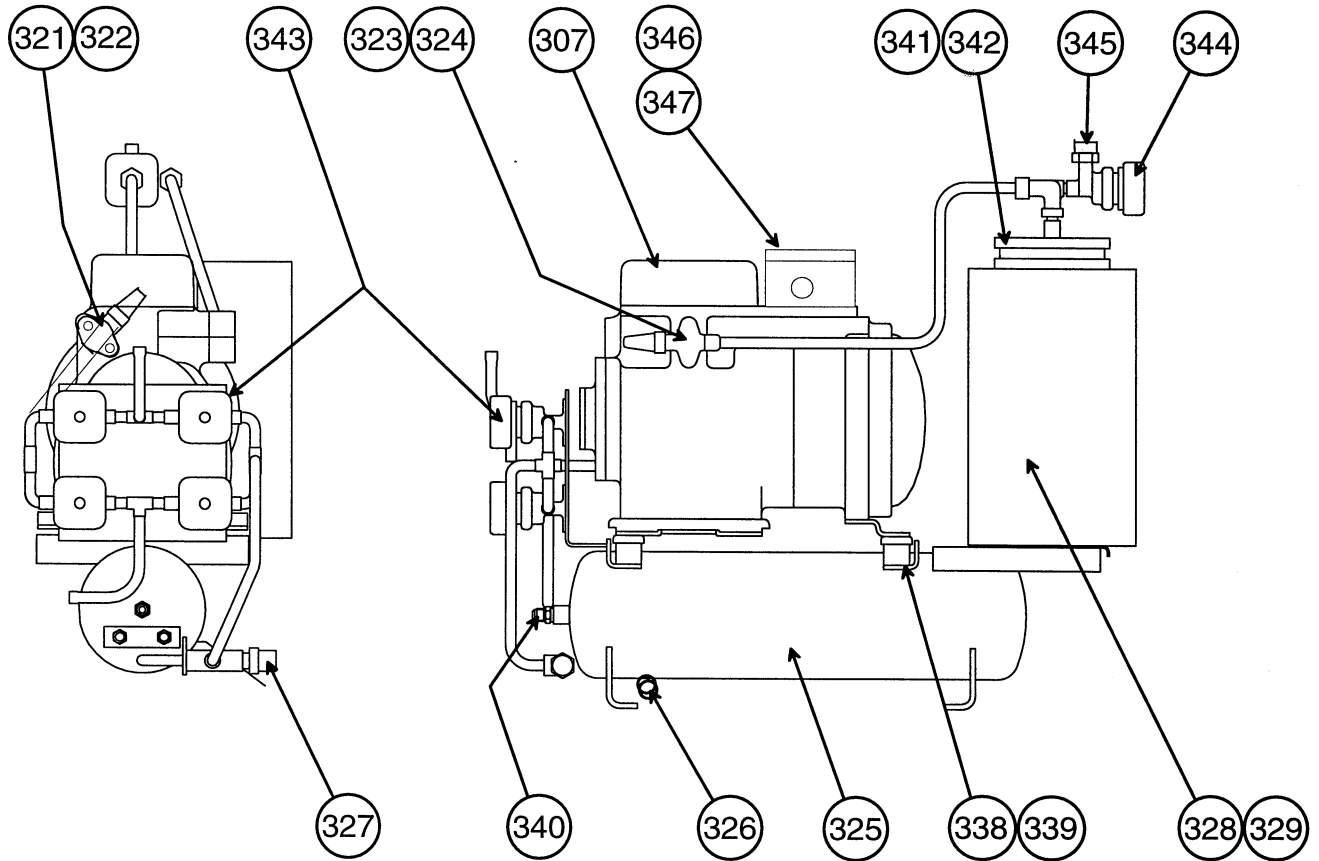
Rev.

Note: See "Catalog Notes" on last page for explanation of symbolism.

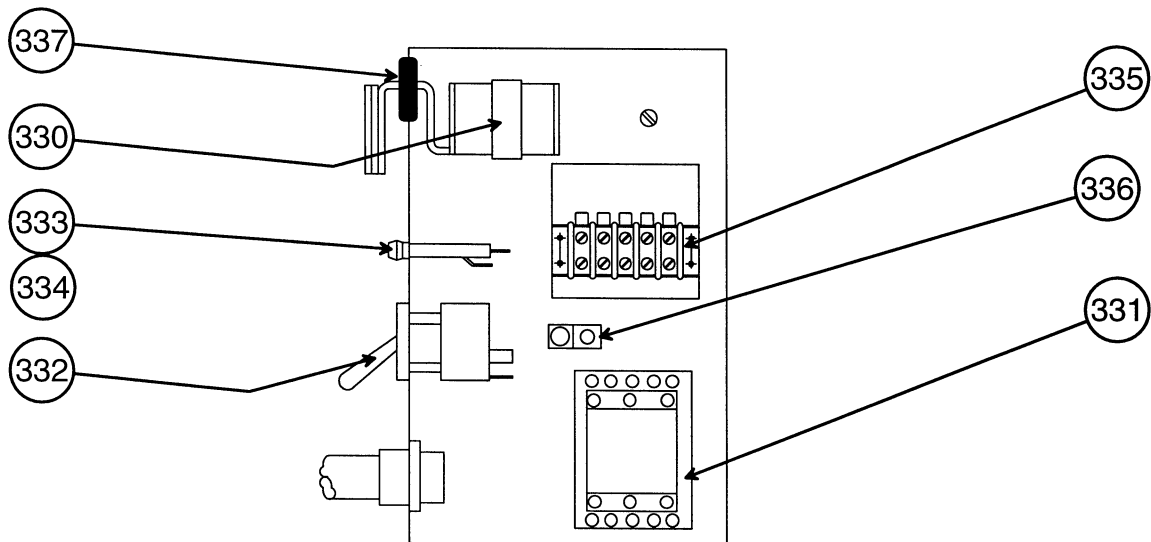
Graphics Page: 14

Litho in U.S.A

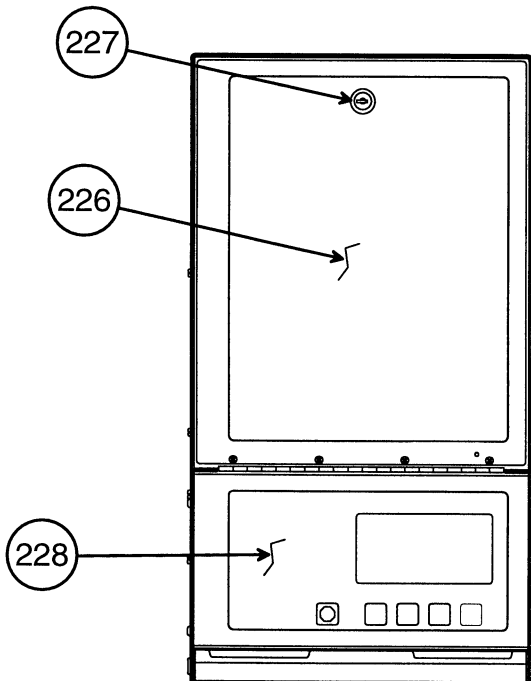




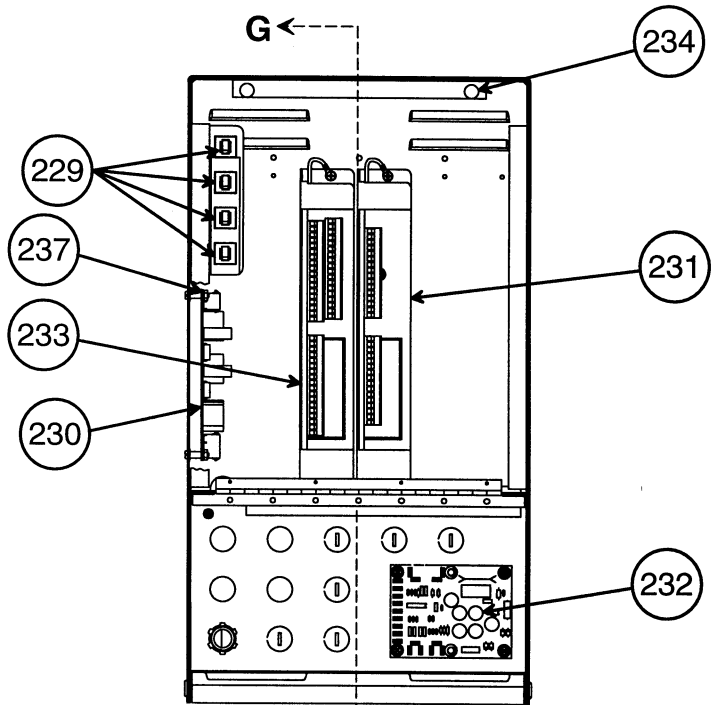
**PUMP DOWN ASSEMBLY**



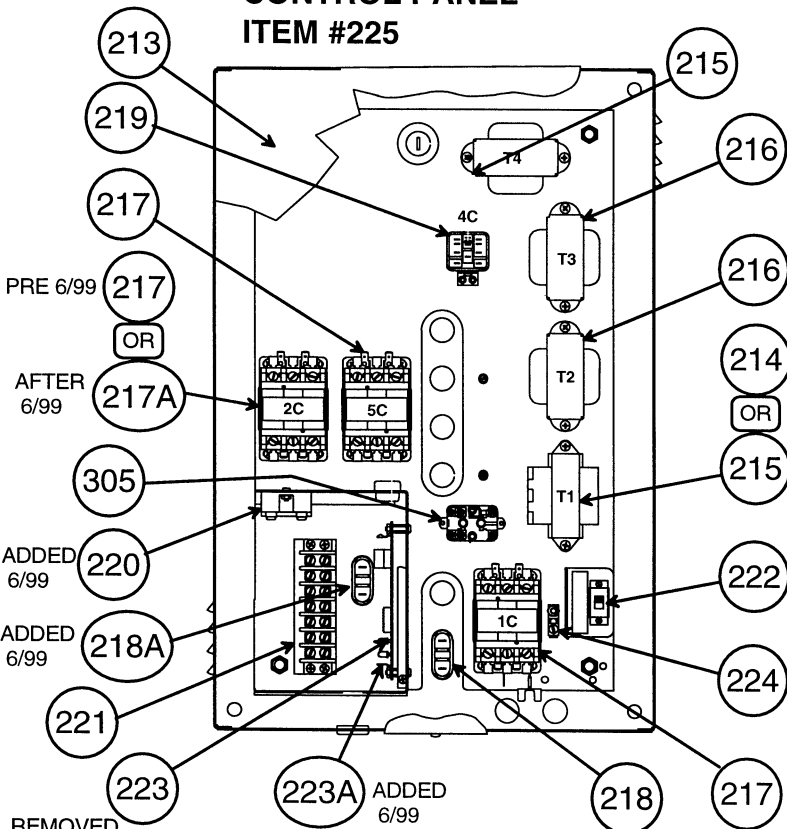
**PUMP DOWN CONTROL BOX**



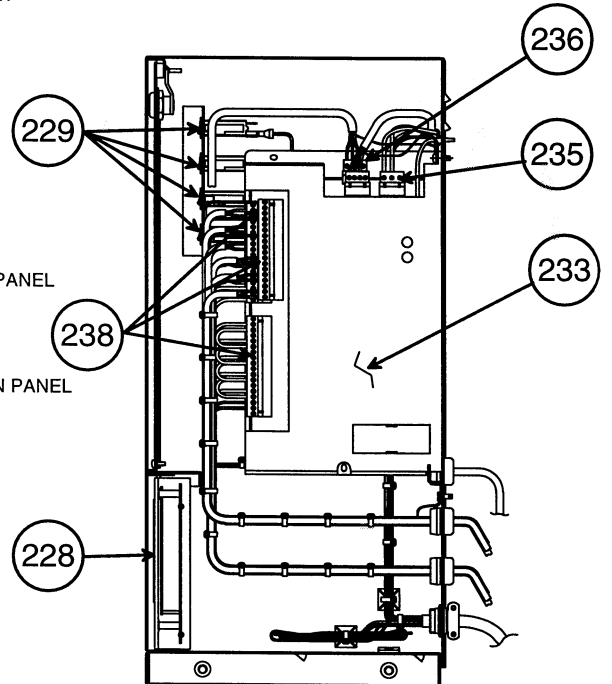
**CONTROL PANEL  
ITEM #225**



**G ←**  
OPTION PANEL  
ONLY



**POWER PANEL ITEM #211**



**VIEW G-G**

Graphics Catalog

Catalog No: RCD-3517-025 (1/98)

Rev.

Supersedes:

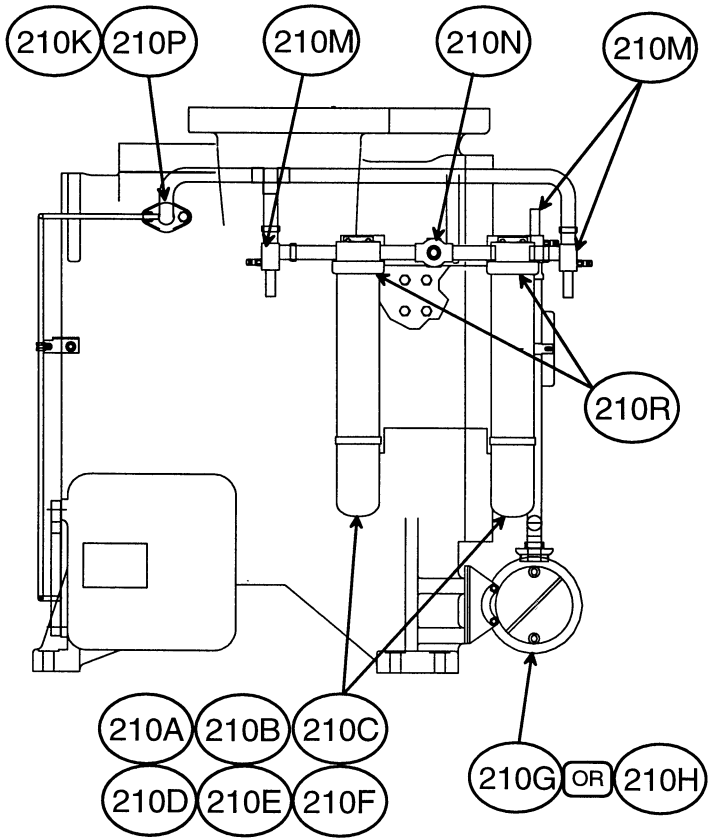
Rev.

Note: See "Catalog Notes" on last page for explanation of symbolism.

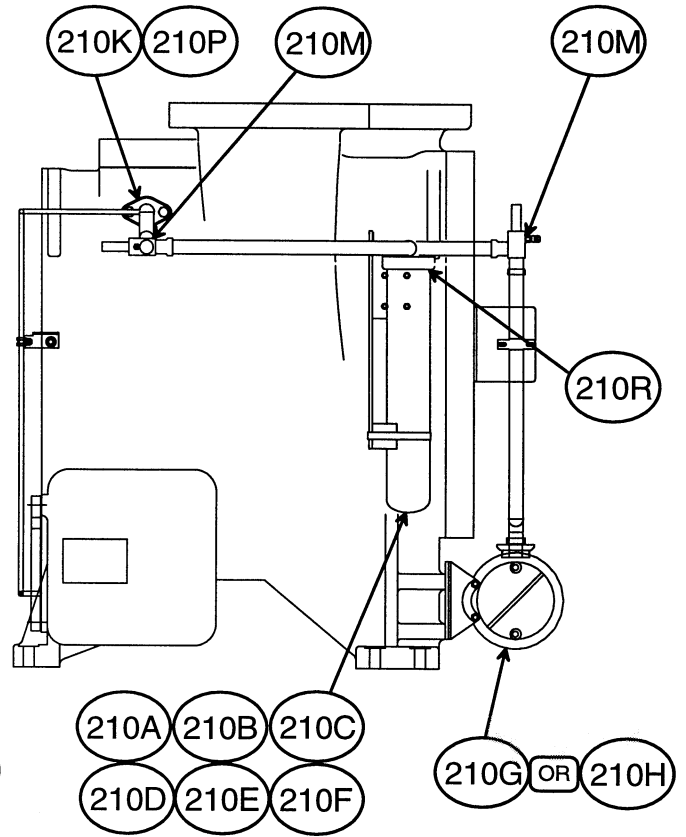
Graphics Page: 16

Litho in U.S.A

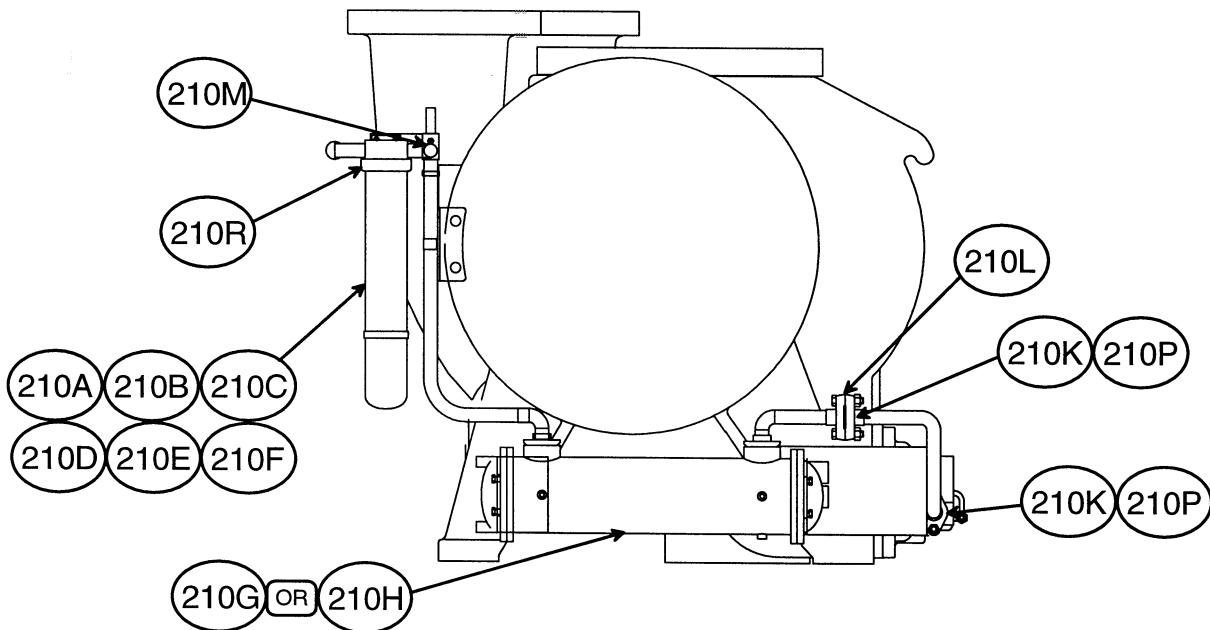




**DUAL FILTER ARRANGEMENT**



**SINGLE FILTER ARRANGEMENT**



**LATEST COMPRESSOR LUBE ARRANGEMENT**





# 17EX



OPEN DRIVE CENTRIFUGAL  
LIQUID CHILLER R134A  
W/EXTERNAL GEAR

SIZE: 005 005  
SERIES: EXTERNAL

ITM	PART DESCRIPTION	17EX5 EXTERNAL	
		ALL VOLTAGES	
<b>COMPRESSOR GROUP</b>			
1	DOWEL PIN (1/2 X 1-1/2)	(2)	AX23AT293
2	FLARE CAP		DD19DA201
3	VALVE,ANGLE (1/2 MPT)		7792-B
4A	SENSOR,TEMPERATURE (OIL SUMP)		HH79NZ047
4B	SENSOR,TEMPERATURE (DISCHARGE GAS)		HH79NZ059
5	TERMINAL		HY58AS051
6	TERMINAL	(4)	HY85FP041
7	O-RING (1-7/8" O.D.)		KK71EW223
8	O-RING (20" O.D.)		KK71EW468
9	O-RING (24-1/2" O.D.)		KK71EW473
10	O-RING (8-1/2" O.D.)		KK71EW445
11	O-RING (24-3/4" O.D.)		KK71GW249
12	O-RING (20" O.D.)		KK71GW270
13	O-RING (8-3/4" O.D.)		KK71GZ087
14	SIGHTGLASS (1-1/4)	(2)	KM36BQ199
14A	SIGHTGLASS (1-5/8)	(2)	KM36BS162
	INCLUDES O-RING		
14B	O-RING,SIGHTGLASS		KK71EW920
15	COVER,OIL HEATER JUNCTION BOX		02EX55003101
16	COVER,BRG. TEMP. JUNCTION BOX		02EX55004301
17	VALVE ASY,SCHREADER	(3)	06DA403844
18	GASKET,SEAL LEAK PUMP		17M4222321A
19	VALVE,CHECK		17M427051
20	LOCKNUT		17DA811942
21	KEY,COUPLING	(2)	17MA411101
22	SIGHTGLASS		17M423632
23	OIL HEATER		17FA4021363
24	GASKET,OIL HEATER (INSIDE)	(2)	17FA680001
25	GASKET,INSPECTION COVER		17FA50213031A
26	DEMISTER ASY		17FX54002401
27 N	SPEED NUT	(2)	AS01XD180
28 N	FILTER,DEMISTER (2 HOLES)		17FX55006501
29 N	FILTER,DEMISTER (3 HOLES)		17FX55002601
29A	SEAL LEAKAGE PUMP ASY (60HZ)		17CA61324
29B	SEAL LEAKAGE PUMP ASY (50HZ)		17CA61334
30	PUMP		KK21RA001
31	MICRO SWITCH		HR68TD015
32	FLOAT BALL		17M427011
33A	MOTOR (60HZ)		HC40UE115
33B	MOTOR (50HZ)		HC40UE116
35	ARM ASY,FLOAT		17M32992
36	GASKET,OIL SUPPLY LINE		DK29GA0051A
37	O-RING (1-7/8" O.D.)	(3)	KK71EW223
38	VALVE ASY,SHREADER		06DA403844
39	PLATE,ORIFICE		17FA5221446
39A	PILOT LIGHT		17FA522317
39B	BOX,CONDUIT		HX07FB048
39C	COVER,CONDUIT BOX		HX08FB046
<b>COMPRESSOR TRANSMISSION ASSEMBLY</b>			
40	COUPLING,LO-SPEED (MOTOR TO GEAR)		17FX05006901
41	COUPLING,HI-SPEED (COMPR. TO GEAR)		17FX05001401
42	COUPLING GUARD,HI-SPEED	(2)	17FX04000701
43	COUPLING GUARD,LO-SPEED (TOP)		17FX04002901
44	COUPLING GUARD,LO-SPEED (BOTTOM)		17FX04000801

PARTS LIST CATALOG

PARTS LIST PAGE: 001

CATALOG NO.: RCD-3517-025 REV.  
SUPERSEDES: REV.

NOTE: SEE "CATALOG NOTES" ON LAST PAGE FOR EXPLANATION OF SYMBOLISM.



OPEN DRIVE CENTRIFUGAL  
LIQUID CHILLER R134A  
W/EXTERNAL GEAR

17EX

SIZE: 005 005  
SERIES: EXTERNAL

ITM	PART DESCRIPTION	17EX5 EXTERNAL		
		ALL VOLTAGES		
<b>COMPRESSOR TRANSMISSION ASSEMBLY</b>				
45	GEAR PACKAGE, MULTIPLE CONTACT SEAL & BEARING GROUP	MACHINE SPECIFIC		
46	CONTACT SEAL ARR.	17FX04004201 REF ONL		
47	SHIM	17FA5021253		
48	SEAL,SHAFT	17FA5221516		
49	GUIDE RING ASY	17FX54003401		
50 N	DIAPHRAGM	17FX55005001		
51 N	RING,GUIDE	17FX55005201		
52 N	RING,SEAL(INNER CARBON SEAL RING)	17M523072		
53	MOUNTING RING ASY	17FX54003701		
54	NUT,SHAFT SLEEVE	17FX55004401		
55	CONTACT RING	17FX55004501		
56	GASKET,SPRAY HEADER	17FX55004801		
57	CARBON,OUTER	17FX55004901		
58	RETAINING RING	17FX55005101		
59	SLEEVE,CONTACT	17FX55005301		
60	RETAINER	17FX55005401		
61	KEY,INNER CARBON RING	17FX55005601		
62	KEY,STATIONARY RING	17FX55005701		
63	SLEEVE,SHAFT	17FX55006101		
64	SPRING	17M426621		
65	RETAINING RING	17M426961		
66	GASKET	17M42118111A		
67	SPRING	17M526691		
68	BAFFLE ASY	17SA32212		
69	RING ASY	17SA32213		
70	DOWEL PIN 1/8 X 1/2 LG	AX11AR062		
71	O-RING (2-3/4 O.D.)	KK71EW038		
72	O-RING (6-1/2 O.D.)	KK71EW259		
73	O-RING (3-3/4 O.D.)	KK71EW340		
74	O-RING (8-1/2 O.D.)	(2) KK71EW445		
75	CONTACT SEAL ARR. (JOHN CRANE STYLE)	17FA522298 REF ONLY		
76	O-RING (2-3/4" O.D.)	KK71EW038		
77	O-RING (5-3/4" O.D.)	KK71EW431		
78	O-RING (4-3/8" O.D.)	KK71GW047		
79	O-RING (4-1/2" O.D.)	KK71GW048		
80	SEAL SHIM,OUTER	17FA5221477		
81	SEAL SHIM,INNER	17FA5221486		
82	SEAL NUT,SHAFT	17FA5221506		
83	SEAL,SHAFT	17FA5221516		
84	SEAL,ORIFICE	17FA5221096		
85	GASKET,SEAL COVER	17FA5221226		
86	SEAL	17FA5221507		
87	GASKET	17M42118111A		
88	KEY,COUPLING	(2) 17MA411101		
89	BAFFLE ASY	17SA32212		
90	RING ASY,OIL COLLECTOR	17SA32213		
91	O-RING (8-1/4" O.D.)	KK71GW083		
<b>COMPRESSOR ROTOR &amp; BEARING ASSEMBLY</b>				
92A	1ST STAGE LABYRINTH (#3 SHROUD)	19EA532034		
92B	1ST STAGE LABYRINTH (#4 SHROUD)	19EA542034		
92C	1ST STAGE LABYRINTH (#5 SHROUD)	19EA552034		
92D	1ST STAGE LABYRINTH (#6 SHROUD)	19EA562034		
92E	1ST STAGE LABYRINTH (#8 SHROUD)	17FA6022904		

PARTS LIST CATALOG

PARTS LIST PAGE: 002

CATALOG NO.: RCD-3517-025 REV.  
SUPERSEDES : REV.

NOTE: SEE "CATALOG NOTES" ON LAST PAGE FOR EXPLANATION OF SYMBOLISM.

# 17EX

SIZE: 005 005  
 SERIES: EXTERNAL



OPEN DRIVE CENTRIFUGAL  
 LIQUID CHILLER R134A  
 W/EXTERNAL GEAR

ITM	PART DESCRIPTION	17EX5 EXTERNAL		
		ALL VOLTAGES		
<b>COMPRESSOR ROTOR &amp; BEARING ASSEMBLY</b>				
92F	1ST STAGE LABYRINTH (#9 SHROUD)	17FA6122904		
93A	2ND STAGE LABYRINTH (#3 SHROUD)	19EA532044		
93B	2ND STAGE LABYRINTH (#4 SHROUD)	19EA542044		
93C	2ND STAGE LABYRINTH (#5 SHROUD)	19EA552044		
93D	2ND STAGE LABYRINTH (#6 SHROUD)	19EA562044		
93E	2ND STAGE LABYRINTH (#8 SHROUD)	17FA5823004		
93F	2ND STAGE LABYRINTH (#9 SHROUD)	17FA5923004		
94A	BAL PISTON LABY (#3,#4,#5,#6 SHROUD)	17FA5221017		
94B	BAL PISTON LABY (#8,#9 SHROUD)	17FA5823104		
95	NUT, LOCK	17FA5021602		
96	LOCKNUT, IMPELLER	17FA5121602		
97	SHAFT, IMPELLER	17FA5221098		
98	PIN, DOWEL (3/32 X 3/8)	AX11AR037		
99	O-RING (2-3/4" O.D.)	KK71EW038		
100	O-RING (3-1/2" O.D.)	KK71EW236		
101	O-RING (7-1/2" O.D.)	KK71EW263		
102	O-RING (13/16" O.D.)	KK71GW008		
103	SENSOR ASY, THRUST BEARING TEMP.	02XR44004302		
104	SENSOR, TEMPERATURE	HH79N2044		
105	SHAFT DISPLACEMENT DETECTOR	19FA680006		
106	KEY	(6) 17FA5021362		
107	SEAL HOUSING ASSEMBLY	17FA522117		
108	RETAINING RING	AU46AR976		
109	SEAL HOUSING	17FA522127		
110	SPRING	(12) 19EA411291		
111	SPRING RETAINER	19EA511392		
112	SHIM, THRUST BEARING	(2) 17FA522126		
113	O-RING (PINION/GEAR BRG. OIL SUPPLY)	(2) 17FA522146		
114	BEARING ASSEMBLY, JOURNAL	17FX54001401		
115 N	BEARING HOUSING, JOURNAL	17FX54001402		
116 N	TILTING PADS	(5) 17FX54001403		
117 N	SHOE RETAINING PLATE	(2) 17FX54001404		
118 N	CAP SCREW, SOCKET HEAD	(16)#10-32 X .375 LONG		
119 N	DOWEL PIN	(12) .19 X .50 LONG		
120 N	DOWEL PIN	.25 X .50 LONG		
121 N	CAP SCREW, SOCKET HEAD	(2)#10-32 X .750 LONG		
122	BEARING ASY, THRUST	17FX54001501		
123 N	BASE RING	(2) 17FX54001503		
124 N	THRUST RING	(12) 17FX54001502		
125 N	BASE RING KEY	(2) 18P60-2901-46		
126 N	CAP SCREW, HEX HEAD	(4) P23T12		
127 N	CAP SCREW, HEX HEAD	(12) P23S44		
128 N	CAP SCREW, HEX HEAD	(2) P22S02		
129 N	ROLL PIN	(12) P36T256		
130 N	DOWEL PIN	(4) P36L74		
131 N	BUTTON SCREW	(12) P23R308		
132 N	EQUALIZER BLOCK (UPPER)	(12) 18P60-2901-86		
133 N	EQUALIZER BLOCK (LOWER)	(12) 18P60-2901-76		
134	VALVE ASY, CHECK	19EA41262		
135	RING, CONTACT	19EA511172		
136	SLINGER	19EA511382		
137	SHIM, IMPELLER	19EA511882		
138	SLEEVE, SHAFT	19EA511892		
139	SHIM, IMPELLER	19EA531882		

PARTS LIST CATALOG

PARTS LIST PAGE: 003

CATALOG NO. : RCD-3517-025 REV.  
 SUPERSEDES : REV.

NOTE: SEE "CATALOG NOTES" ON LAST PAGE FOR EXPLANATION OF SYMBOLISM.



OPEN DRIVE CENTRIFUGAL  
LIQUID CHILLER R134A  
W/EXTERNAL GEAR

17EX

SIZE: 005 005  
SERIES: EXTERNAL

ITM	PART DESCRIPTION	17EX5 EXTERNAL	
		ALL VOLTAGES	
<b>COMPRESSOR ROTOR &amp; BEARING ASSEMBLY</b>			
140	RING,SEAL		19EB5121012
141	SPACER		19EA511372
<b>GUIDE VANE &amp; BLADE RING</b>			
142	MOTOR,ACTUATOR (24V)		HF26BB025
143	MOUNTING BRACKET (LOWER)		17FA5121533
144	MOUNTING PLATE		17FA5121553
145	CHAIN GUARD (ABS)		02EX54002301
146	CHAIN KIT		19FA660016
147	SPROCKET HUB (SHAFT)		17FA5021583
148A	SPROCKET (DRIVE)(#3,#4,#5,#6 SHROUD)		17FA5021712
148B	SPROCKET (DRIVE)(#8,#9 SHROUD)		17FA5221712
149	SPROCKET (SHAFT)		17FA5121593
150	SPEED NUT	(4)	AS41BS052
151	SET SCREW	(2)	AF12AA196
152	KEY (SPROCKET/SHAFT)		17FA5021782
153A	GASKET,SEAL HOUSING		19EA4110211A
153B	O-RING,SEAL HOUSING		KK71EW229
154	SEAL RETAINER		19EA421042
155	BEARING HOUSING		19EA411032
156	BUSHING		KT53XL093
157	CAP SCREW,HEX HEAD	(2)	AA06GR237
158	PELLET		19EA411031
159	WASHER,THRUST		AU51YA391
160	SHAFT,DRIVE PULLEY		19EA531052
161	"V" RING ASSEMBLY (PRESSURE)		KK71HT016
162	"V" RING ASSEMBLY (VACUUM)		KK71HT014
163	SEAL HOUSING		19EA411022
164	ROLL PIN		AX16CA044
165	KEY		19D211391
166A	GUIDE VANE ASSEMBLY (#3 SHROUD)		19EA53467
166B	GUIDE VANE ASSEMBLY (#4 SHROUD)		19EA55467
166C	GUIDE VANE ASSEMBLY (#5 SHROUD)		19EA57467
166D	GUIDE VANE ASSEMBLY (#6 SHROUD)		19EA59467
166E	GUIDE VANE ASSEMBLY (#8 SHROUD)		17FA582118
166F	GUIDE VANE ASSEMBLY (#9 SHROUD)		17FA592118
167	CABLE ASSEMBLY		19EA51102
168	PULLEY,BLADE	(6)	19EA512142
169	CAP SCREW,HEX HEAD	(7)	AA13BR295
170	WASHER		19EA412592
171	BUSHING,PRE-WHIRL BLADE	(14)	KT53XL102
172	PRE-WHIRL BLADE PACKAGE	(7)	19EA660017
173	BUSHING,IDLER PULLEY	(7)	KT53XL065
174	RING,RETAINING	(7)	AU48AR062
175	PIN,IDLER PULLEY	(7)	19EA512022
176	PULLEY,IDLER	(7)	19C47771
177	PULLEY,DRIVE		19EA511003
178	WASHER,THRUST (IDLER PULLEY)	(7)	AU02AA332
179	WASHER,THRUST (BLADE PULLEY)	(7)	19EA512012
<b>LUBRICATION PACKAGE</b>			
180A	OIL PUMP,GEAR LUBE (200/208-3-60)		17FX05002906
180B	OIL PUMP,GEAR LUBE (209/240-3-60)		17FX05002901
180C	OIL PUMP,GEAR LUBE (380/480-3-60)		17FX05002902
180D	OIL PUMP,GEAR LUBE (507/619-3-50)		17FX05002903
180E	OIL PUMP,GEAR LUBE (220/240-3-50)		17FX05002901

PARTS LIST CATALOG

PARTS LIST PAGE: 004

CATALOG NO.: RCD-3517-025 REV.  
SUPERSEDES: REV.

NOTE: SEE "CATALOG NOTES" ON LAST PAGE FOR EXPLANATION OF SYMBOLISM.

# 17EX



## OPEN DRIVE CENTRIFUGAL LIQUID CHILLER R134A W/EXTERNAL GEAR

SIZE: 005 005  
SERIES: EXTERNAL

ITM	PART DESCRIPTION	17EX5 EXTERNAL		
		ALL VOLTAGES		
<b>LUBRICATION PACKAGE</b>				
180F	OIL PUMP,GEAR LUBE (346/440-3-50)	17FX05002902		
181	GEAR LUBE OIL PUMP REBUILD KIT	17EX660002		
181A	LIP SEAL,GEAR LUBE OIL PUMP	17EX680003		
181B	O-RING,GEAR LUBE OIL PUMP	KK71EW045		
183A	OIL PUMP ASY,COMPR. (200/240-3-60)	02EX54005501		
183B	OIL PUMP ASY,COMPR. (380/480-3-60)	02EX54005502		
183C	OIL PUMP ASY,COMPR. (507/619-3-60)	02EX54005503		
183D	OIL PUMP ASY,COMPR. (220/240-3-50)	02EX54005504		
183E	OIL PUMP ASY,COMPR. (346/440-3-50)	02EX54005505		
184	CLAMPING RING	19D211011		
185	O-RING	KK71EW259		
186	O-RING	KK71EW228		
187	SET SCREW (STATOR PINING)	AE17AR166		
188	SHAFT	19EA5111133		
189	SLEEVE,INNER	02XB35036101		
190	SLEEVE,OUTER	02XB35024701		
191	PUMP,VANE	(4) 19EA517012		
192	OIL PUMP HOUSING	19EA415394		
193	OIL PUMP COVER	19EA5111143		
194	DOWEL PIN (1/4 X 3/4 LG)	(2) AX11AR168		
195	DOWEL PIN (1/4 X 1-1/4 LG)	(2) AX11AR172		
196	TERMINAL PIN	(5) HY85FP060		
197	COVER,TERMINAL BOX	17FA4021012		
198	WIRE CONNECTOR (INTERNAL)	HY89TB009		
199	SPRING	17FA4121002		
200	PISTON	17FA4021013		
200A	CONNECTOR,ELBOW	(2) DC83SA010		
200B	O-RING,CONNECTOR	KK71EW906		
201	O-RING (OIL PUMP HOUSING)	KK71GZ087		
202A	OIL COOLER ASY(COMPR/TRANS)(25-3/8"L)	(2) 17FX54000201		
202B	OIL COOLER ASY(COMPR/TRANS)(53"L)	(2) 17FX54004401		
203	CARTRIDGE,FILTER	(2) 17S40001		
204	O-RING	KK71EW235		
205	GUIDE,FILTER	17FX54000401		
206	SPRING	19C354991		
207	STOPPER ASY	19EA41512		
208	VALVE,SHUT-OFF	(4) EP12BH331		
209	BODY,CHECK VALVE	EC39DM061		
210	VALVE CORE,CHECK VALVE	EC39DM062		
210A	FILTER ASY,COMPRESSOR OIL	(2) 17FA502343		
210B	SPRING	17FA4021992		
210C	GUIDE,FILTER	17FA402372		
210D	STOPPER ASY	19EA41512		
210E	CARTRIDGE,FILTER	(2) KH09AZ001		
NOTE: USE ITEM 210R FOR FILTER HOUSING O-RING.				
210F	HOUSING,FILTER	KH33QA200		
210G	COOLER ASY,COMPR. OIL (BASCO 150#)	17FX04004601		
210H	COOLER ASY,COMPR. OIL (BOSCO 300#)	17FX04004701		
210J	STRIP,RUBBER	19EF5021222		
210K	ADAPTER,FLANGE (WITH O-RING GROOVE)	(3) DK24CA717		
210L	ADAPTER,FLANGE	DK25CA712		
210M	VALVE,SHUT OFF	(3) EP12BH331		
210N	VALVE,3-WAY	EP73CA331		
210P	O-RING,FLANGE ADAPTER	(3) KK71EW223		

**PARTS LIST CATALOG**

PARTS LIST PAGE: 005

CATALOG NO.: RCD-3517-025 REV.  
SUPERSEDES : REV.

NOTE: SEE "CATALOG NOTES" ON LAST PAGE FOR EXPLANATION OF SYMBOLISM.



OPEN DRIVE CENTRIFUGAL  
LIQUID CHILLER R134A  
W/EXTERNAL GEAR

17EX

SIZE: 005 005  
SERIES: EXTERNAL

ITM	PART DESCRIPTION	17EX5 EXTERNAL			
		ALL VOLTAGES			
<b>LUBRICATION PACKAGE</b>					
210R	O-RING, FILTER HOUSING CONTROL GROUP	KK71GX031			
211A	POWER PANEL ASSEMBLY (BASIC)	17FX04001001			
211B	POWER PANEL ASSEMBLY (OPTIONS)	17FX04001002			
212	ENCLOSURE (SHEET METAL ONLY)	17FX04001701			
213	POWER BOX COVER (W/LABELS)	17FX04001401			
214	TRANSFORMER (21V) (BASIC)(T1)	HT01BD113			
215	TRANSFORMER (21V) (OPTIONS)(T1, T4)	(2) HT01BD113			
216	TRANSFORMER (24V) (T2, T3)	(2) HT01AW235			
217	CONTACTOR (1C, 2C, 5C)	(3) HN53CC024			
217A	CONTACTOR (2C) (ADDED 6/99)	HN53HC023			
218	DIFF. PRESSURE SWITCH	HK06UB012			
218A	DIFF. PRESSURE SWITCH (ADDED 6/99)	HK06UB012			
219	RELAY (4C)	HN61KL604			
220	RELAY, GEAR OIL PUMP	17FX05005001			
221	TERMINAL BLOCK	19XB05002301			
222	VOLTAGE SELECTOR SWITCH (115/230)	HR67ZZ125			
223	MODULE, CONTROL (REMOVED 6/99)	HK50AA025			
223A	SWITCH, TEMPERATURE (ADDED 6/99)	HH22YC276			
224	GROUND LUG	HY90HR001			
225A	CONTROL PANEL ASSEMBLY (BASIC)	17EX54007301			
225B	CONTROL PANEL ASSEMBLY (OPTIONS)	17EX54007302			
226	DOOR PANEL ASSEMBLY (W/SCHEMATIC)	19EX04000501			
227	CAM LOCK (W/KEYS)	KA19NL010			
228	LID ASSEMBLY	CES0130036			
229	CIRCUIT BREAKER (3.2 AMP)	(4) HH85ZB001			
230	RELAY BOARD (6 PAC)	HK35AA003			
231	MODULE ASY, 8INPUT (OPTIONS ONLY)	HK50AA006			
232	POWER SUPPLY (5V DC)	HK35AA007			
233	MODULE ASSEMBLY (PSIO)	17EX54007903			
234	RUBBER BUMPER	KA58MR001			
235	CONNECTOR, PLUG (3 PIN)	HY84EE003			
236	CONNECTOR, PLUG (4 PIN)	HY84EE004			
237	CONNECTOR, PLUG (6 PIN)	HY06MP106			
238	CONNECTOR, PLUG (18 PIN)	(3) HY84EE021			
239 N	WIRE HARNESS (15 WIRE)	19XB04002701			
240 N	RESISTOR WIRE ASSEMBLY	19XB04003301			
241 N	RESISTOR (10K 1/2W)	(3) HT21AZ110			
242 N	TRANSDUCER CABLE ASSEMBLY	19XB660003			
243 N	CABLE CONNECTOR	30GT510011			
244 N	PIN TERMINAL	30GT510010			
245 N	CABLE ASY (COND./COOLER PRESS.)	17EX54002901			
246 N	CABLE ASY (COMPR. OIL SUMP PRESS.)	17EX54003001			
247 N	CABLE ASY (MOTOR WINDING TEMP.)	17FX04003401			
248 N	CABLE ASY (COMPR. DISCH. TEMP.)	19EX04001301			
249 N	CABLE ASY (COMPR. SUMP OIL TEMP.)	19EX04001302			
250 N	CABLE ASY (THRUST BEARING TEMP.)	19EX04001602			
251 N	CABLE ASY (GUIDE VANE ACTUATOR)	19EX54002701			
252 N	CABLE ASY (COOL. WATER TEMP. OUT)	19EX54002801			
253 N	CABLE ASY (COOL. WATER TEMP. IN)	19EX54002802			
254 N	CABLE ASY (COND. WATER TEMP. OUT)	19EX54002804			
255 N	CABLE ASY (COND. WATER TEMP. IN)	19EX54002803			
256	TEMPERATURE SENSOR (W/B NOZZLES)	(4) HH79N2047			
257	TEMPERATURE SENSOR (TRANS. LUBE)	HH79N2059			

PARTS LIST CATALOG

PARTS LIST PAGE: 006

CATALOG NO.: RCD-3517-025 REV.  
SUPERSEDES: REV.

NOTE: SEE "CATALOG NOTES" ON LAST PAGE FOR EXPLANATION OF SYMBOLISM.



## OPEN DRIVE CENTRIFUGAL LIQUID CHILLER R134A W/EXTERNAL GEAR

SIZE: 005 005  
SERIES: EXTERNAL

ITM	PART DESCRIPTION	17EX5 EXTERNAL			
			ALL VOLTAGES		
<b>CONTROL GROUP</b>					
258	PRESS. TRANSDUCER(CLR/COND/OIL LINE)	(5)	HK05YZ002		
259	HI-DISCHARGE PRESS. CUTOUT		HK02ZA218		
260	VALVE,SOLENOID	(2)	EF23CM301		
261	VALVE,STEAM COCK	(2)	EV01CZ305		
262	CABLE ASY,MTR LEAK DET. (TEWAC ONLY)		17EX54003401		
263 N	CONTROL UPGRADE PKG(BASIC TO OPTIONS MACHINE ARRANGEMENT & PIPING)		19XB04005001		
264	GSKT,CLR WATER BOX FR#4 NIH 150/300#	(2)	10EX45004701		
265	GSKT,CLR WATER BOX FR#4 MAR 150/300#	(2)	10EX45005001		
266	GSKT,COND WATER BOX FR#4 NIH/MAR	(2)	09EX45001101		
267	GSKT,COND WATER BOX FR#5 NIH/MAR	(2)	09EX55003001		
268	SEALING STRIP,DIVISION PLATE		19XB680001		
NOTE: TO OBTAIN THE PROPER TUBES FOR YOUR PARTICULAR MACHINE, CONTACT YOUR CARRIER REPRESENTATIVE. YOU MUST PROVIDE MACHINE SERIAL NUMBER.					
269	COOLER TUBE (SEE NOTE ABOVE)		TUBE QUANTITY		
269A	COOLER TUBE QTY. (COOLER CODE #45)		924		
269B	COOLER TUBE QTY. (COOLER CODE #46)		1008		
269C	COOLER TUBE QTY. (COOLER CODE #47)		1092		
269D	COOLER TUBE QTY. (COOLER CODE #48)		1452		
270	CONDENSER TUBE (SEE NOTE ABOVE)		TUBE QUANTITY		
270A	CONDENSER TUBE QTY. (COND. CODE #45)		990		
270B	CONDENSER TUBE QTY. (COND. CODE #46)		1080		
270C	CONDENSER TUBE QTY. (COND. CODE #47)		1170		
270D	CONDENSER TUBE QTY. (COND. CODE #55)		1288		
270E	CONDENSER TUBE QTY. (COND. CODE #56)		1458		
270F	CONDENSER TUBE QTY. (COND. CODE #57)		1602		
271	GASKET,RING (5")	(2)	CT99QX651		
272	GASKET,RING (10")	(3)	CT99QN851		
273	GASKET,RING (12")(FR. #5 COND. ONLY)		CT99QN951		
274	VALVE,RELIEF (1")	(5)	19EB660006		
275	VALVE,ANGLE (1/2" MPT)	(2)	7792-B		
276	VALVE,BALL (1/2")		900204		
277	VALVE,BALL (1")	(2)	EP71CQ306		
278	VALVE,SHUT-OFF (3-WAY)		8024		
279	VALVE,BUTTERFLY (4") (ECON. GAS)		ER39MZ711		
280	VALVE,BUTTERFLY (5")		ER39MZ751		
281	VALVE,BUTTERFLY (10")		ER39MZ860		
282	VALVE ASY (4") (ECON. GAS)		19FA501123		
283	O-RING AND PACKING PACKAGE		19FA660027		
284	GAUGE,COMPOUND		KM03AF280		
285	VALVE ASY,SCHREADER		06DA403844		
286	GASKET,HI-SIDE ECON. COVER		09EX45002101		
287	GASKET,LO-SIDE ECON. COVER		09EX45002201		
288A	FLOAT VALVE ASY,ECON (WITH 8" BALL)	(2)	09EX44007501		
288B	FLOAT VALVE ASY,ECON (WITH 8" BALL)	(2)	09EX54001301		
288C	FLOAT VALVE ASY,ECON (WITH 9" BALL)	(2)	09EX54004801		
288D	FLOAT VALVE ASY,ECON (WITH 9" BALL)	(2)	09EX54004601		
INCLUDES: ITEMS 289 - 297. SEE MACHINE NAMEPLATE FOR VALVE NUMBER.					
289A	FLOAT BALL (8")		EC28HZ243		
289B	FLOAT BALL (9")		EC28HZ249		
290	KEY,SHAFT (USED ON ASY IT#288A&C)		17FA1051452		
291	BALL BEARING	(2)	KT01BG060		
292	RING,RETAINING	(4)	AU47AA511		
293	COLLAR,SHAFT	(2)	09EX45002801		

PARTS LIST CATALOG

PARTS LIST PAGE: 007

CATALOG NO.: RCD-3517-025 REV.  
SUPERSEDES: REV.

NOTE: SEE "CATALOG NOTES" ON LAST PAGE FOR EXPLANATION OF SYMBOLISM.



OPEN DRIVE CENTRIFUGAL  
LIQUID CHILLER R134A  
W/EXTERNAL GEAR

17EX

SIZE: 005 005  
SERIES: EXTERNAL

ITM	PART DESCRIPTION	17EX5 EXTERNAL			
		ALL VOLTAGES			
<b>MACHINE ARRANGEMENT &amp; PIPING</b>					
294	SET SCREW	(2)	AE19AR193		
295A	SHAFT, VALVE (USED ON ASY IT#288A&C)		09EX45002601		
295B	SHAFT, VALVE (USED ON ASY IT#288B&D)		09EX55001701		
296A	FLOAT ARM ASY(USED ON ASY, IT#288A)		09EX44001601		
296B	FLOAT ARM ASY(USED ON ASY, IT#289C)		09EX44010201		
297A	BLOCK ASY (USED ON ASY IT#288A&C)		09EX44002301		
297B	BLOCK ASY (USED ON ASY IT#288B)		09EX54001401		
297C	BLOCK ASY (USED ON ASY IT#288D)		09EX54004701		
298	GASKET (4")	(4)	19EX05001401		
299	GASKET (8")		17FA1011052LA		
300	GASKET (10")	(2)	19EA411432LA		
301	GASKET (16")		17FA2411052LA		
302	GASKET, FLARE HOT GAS BYPASS		DD24FA151		
303	VALVE, HOT GAS BY-PASS (4")		19EX44001001		
304	GASKET, RING (4")	(3)	CT99QX601		
305	RELAY, HOT GAS BY-PASS PUMPDOWN ASSEMBLY		HN61KQ120		
306A	PUMPDOWN ASSEMBLY (208-3-60)		19EA411113		
306B	PUMPDOWN ASSEMBLY (230-3-60)		19EA421113		
306C	PUMPDOWN ASSEMBLY (400/460-3-50/60)		19EA431113		
306D	PUMPDOWN ASSEMBLY (575-3-60)		19EA461113		
307A	COMPR. ASSEMBLY (208/230-3-60)		06DM8086GC3250		
307B	COMPR. ASSEMBLY (400/460-3-50/60)		06DM8086GC3650		
307C	COMPR. ASSEMBLY (575-3-60)		06DM8086GC3150		
308 N	GASKET SET		6D43172		
309 N	VALVE PLATE PACKAGE	(2)	06DA660038		
310 N	DISCHARGE VALVE	(2)	6D751062		
311 N	DISCHARGE VALVE STOP	(2)	6D751052		
312 N	SUCTION VALVE SPRING	(2)	6D401021		
313 N	SUCTION VALVE	(2)	NOT SOLD SEPARATELY		
314 N	GASKET, VALVE PLATE		6D401073		
315 N	GASKET, CYLINDER HEAD		05GA502213		
316 N	PISTON AND PIN PACKAGE	(2)	6D68962		
317 N	ECCENTRIC STRAP	(2)	5D401372		
318 N	COMPRESSION RING	(2)	AU50CP355		
319 N	BEARING HEAD ASSEMBLY		06DA660126		
320 N	OIL FILTER ASSEMBLY		6D40103		
321	SERVICE VALVE PACKAGE, SUCTION		06DA660060		
322	GASKET, SUCTION VALVE		6D231421		
323	SERVICE VALVE PACKAGE, DISCHARGE		5F20660002		
324	GASKET, DISCHARGE VALVE		6D231421		
325	CONDENSER ASSEMBLY		6D21104		
326	TRY COCK ASSEMBLY		7F0132		
327	VALVE, LIQUID		EP12BH211		
328	CONTROL BOX COVER		07DA500002		
329	CONTROL BOX ASSEMBLY		19EA41588		
330	SWITCH, PRESSURE		HK01UA181		
331	CONTACTOR		HN53CD115		
332	SWITCH, TOGGLE		HR53ZA035		
333	FUSE (3 AMP)		AGC3		
334	FUSE HOLDER		HKP-HH		
335	TERMINAL BLOCK		HY84EG017		
336	GROUND LUG		HY90HR001		

PARTS LIST CATALOG

PARTS LIST PAGE: 008

CATALOG NO.: RCD-3517-025 REV.  
SUPERSEDES: REV.

NOTE: SEE "CATALOG NOTES" ON LAST PAGE FOR EXPLANATION OF SYMBOLISM.



OPEN DRIVE CENTRIFUGAL  
LIQUID CHILLER R134A  
W/EXTERNAL GEAR

17EX

SIZE: 005 005  
SERIES: EXTERNAL

ITM	PART DESCRIPTION	17EX5 EXTERNAL			
		ALL VOLTAGES			
<b>PUMPDOWN ASSEMBLY</b>					
337	GROMMET		KA56XM040		
338	SPRING	(4)	50K21231		
339	SPRING CUP	(4)	50K41221		
340	SAFETY HEAD		FB51LR385		
341	OIL SEPERATOR		KH31LZ008		
342	GASKET,OIL SEPERATOR		KY31LY003LA		
343	VALVE,DIAPHRAGM	(4)	A-14841		
344	VALVE,ANGLE		FP23LA211		
345	GASKET,FLARE (1/2")		DD24FA151		
346	COMPR OVERLOAD (FURNAS-MAN RESET)		HN68JX003		
347A	OVERLOAD HEATER (208V)	(3)	HN71JC050		
347B	OVERLOAD HEATER (230V)	(3)	HN71JC049		
347C	OVERLOAD HEATER (460V)	(3)	HN71JC036		
347D	OVERLOAD HEATER (575V)	(3)	HN71JC031		
<b>MISCELLANEOUS GROUP</b>					
348AN	COMPRESSOR OIL (NORMAL TEMP.)(1 GAL)		PP23BZ107001		
348BN	COMPRESSOR OIL (NORMAL TEMP.)(5 GAL)		PP23BZ107005		
348CN	COMPRESSOR OIL (NORMAL TEMP.)(55 GAL)		PP23BZ107055		
349AN	COMPRESSOR OIL (LOW TEMP.)(1 GAL)		PP23BZ108001		
349BN	COMPRESSOR OIL (LOW TEMP.)(5 GAL)		PP23BZ108005		
349CN	COMPRESSOR OIL (LOW TEMP.)(55 GAL)		PP23BZ108055		
350	TEMPERTURE SENSOR PACKAGE		32MP400353		
351	SENSOR (20" LEAD)		HH79NZ024		
352	MALE CONNECTOR		DC99RA015		
353 N	LOGO "CARRIER"	(2)	19XB05010301		
354 N	SHEAR-FLEX PAD (16 X 22 NEOPRENE)	(4)	19XB55003201		
355 N	STARTER MANAGEMENT MODULE (SMM)		CES0121319-01		
356 N	PAINT,SPRAY (GRAY)		PH23GH022		
357 N	PAINT (GALLON CAN) (GRAY)		PH23GH022G		
358	GEAR OIL (GEAR LUBRICATION SYSTEM)		PP23BB005		

PARTS LIST CATALOG

PARTS LIST PAGE: 009

CATALOG NO. : RCD-3517-025 REV.  
SUPERSEDES : REV.

NOTE: SEE "CATALOG NOTES" ON LAST PAGE FOR EXPLANATION OF SYMBOLISM.

