

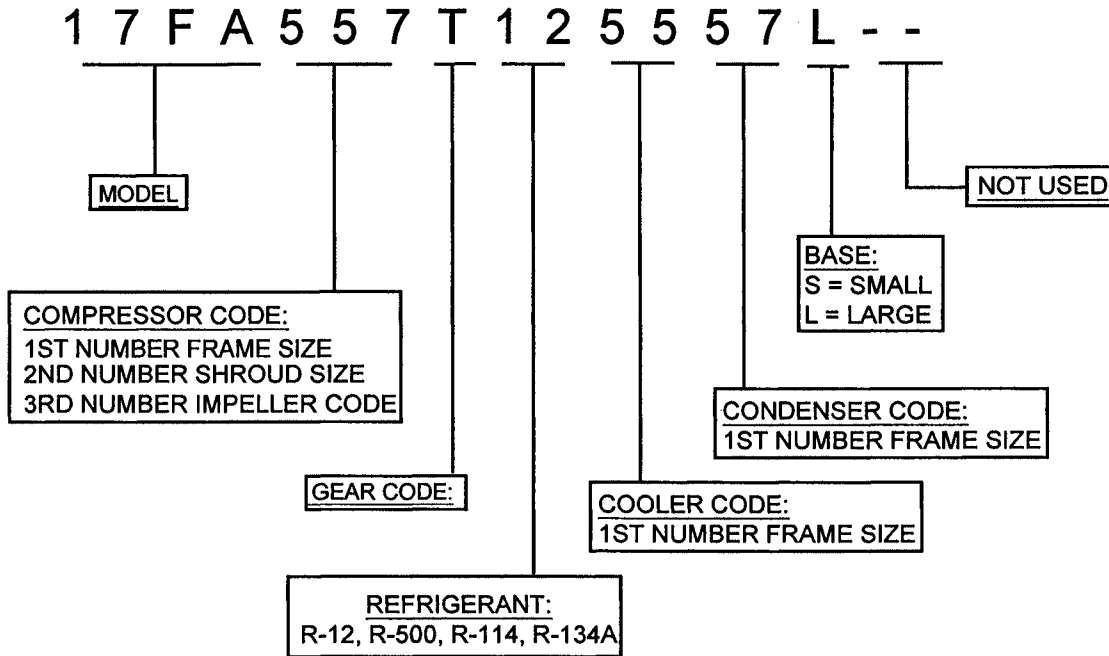


OPEN DRIVE CENTRIFUGAL LIQUID CHILLER

17FA

THIS SERVICE PARTS LIST IS BROKEN DOWN BY COMPRESSOR SIZE. TO DETERMINE YOUR COMPRESSOR SIZE REFER TO SIGNIFICANCE CHARTS BELOW.

MODEL NUMBER SIGNIFICANCE CHART

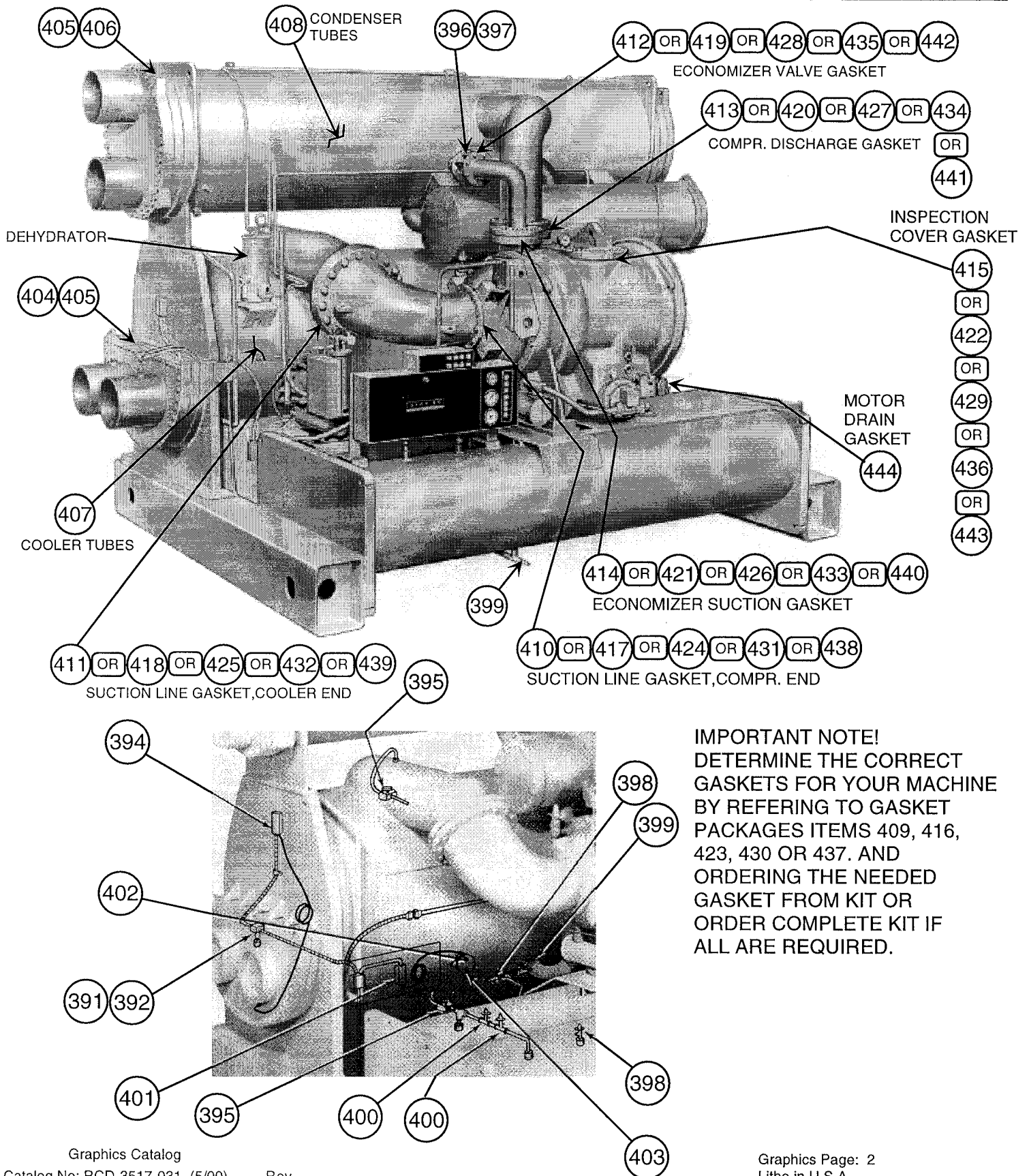


HOW TO USE THIS CATALOG

- THIS CATALOG PRESENTS THE MOST COMMONLY USED SPECIFIED PARTS FOR THE STANDARD 17FA CENTRIFUGAL REFRIGERATION MACHINE AND IS NOT APPLICABLE TO ANY SPECIAL ORDER MACHINES. (CONTACT CARRIER WITH MACHINE SERIAL NUMBER FOR ANY SPECIAL ORDER UNIT PARTS.)
- OCCASIONALLY DUE TO LIMITATIONS OF ILLUSTRATIONS USED, A PART MAY NOT BE ILLUSTRATED, THESE PARTS ARE IDENTIFIED BY "N" IN THE COLUMN NEXT TO THE ITEM NUMBER.
- THE FOLLOWING PARTS ARE NOT LISTED IN THIS CATALOG.
 - IMPELLERS, SHROUDS, DIFFUSERS
 - EVAPORATOR TUBE PART NUMBERS
 - CONDENSER TUBE PART NUMBERS

IF ANY OF THESE PARTS ARE REQUIRED, CONTACT YOUR CARRIER REPRESENTATIVE WITH THE MODEL AND SERIAL NUMBER OF YOUR MACHINE.





IMPORTANT NOTE!
 DETERMINE THE CORRECT
 GASKETS FOR YOUR MACHINE
 BY REFERRING TO GASKET
 PACKAGES ITEMS 409, 416,
 423, 430 OR 437. AND
 ORDERING THE NEEDED
 GASKET FROM KIT OR
 ORDER COMPLETE KIT IF
 ALL ARE REQUIRED.

Graphics Catalog

Catalog No: RCD-3517-031 (5/00)

Rev.

Supersedes: 551.705 & 551.715

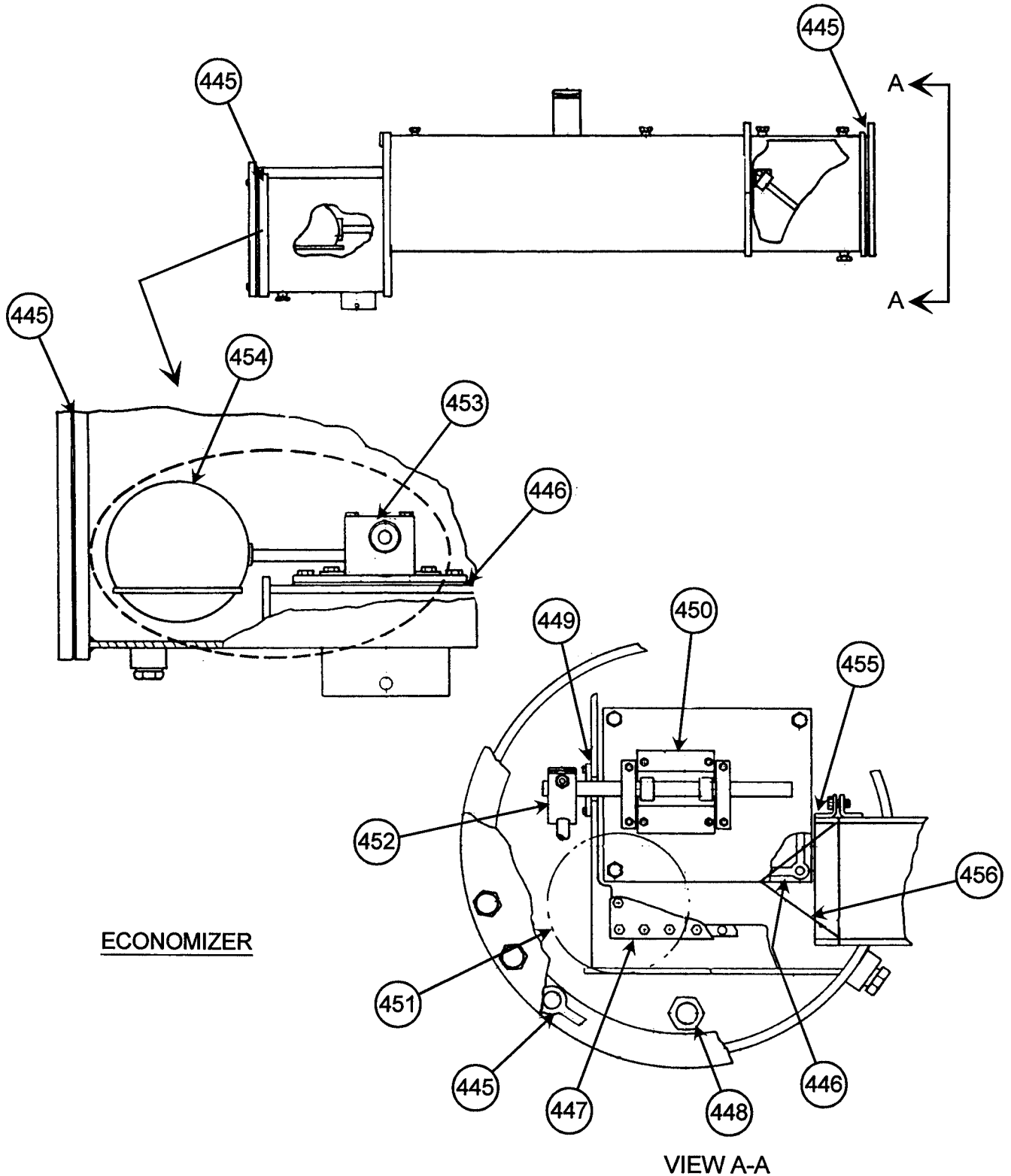
Rev.

Note: See "Catalog Notes" on last page for explanation of symbolism.

Graphics Page: 2
 Litho in U.S.A



Electronic Graphics 17031002



Graphics Catalog

Catalog No: RCD-3517-031 (5/00)

Rev.

Supersedes: 551.705 & 551.715

Rev.

Note: See "Catalog Notes" on last page for explanation of symbolism.

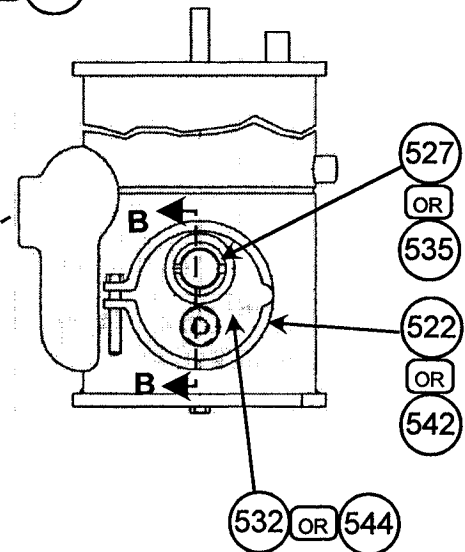
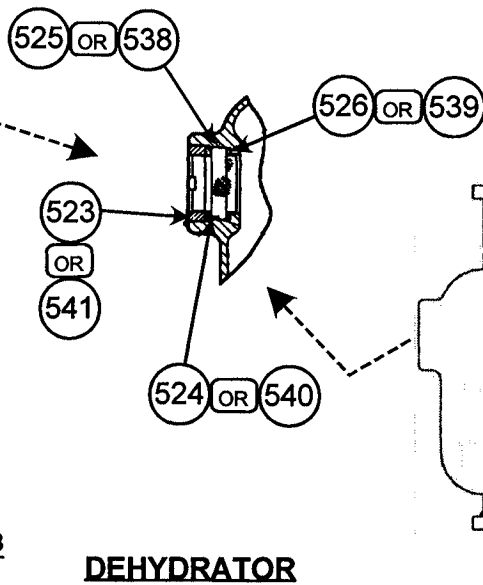
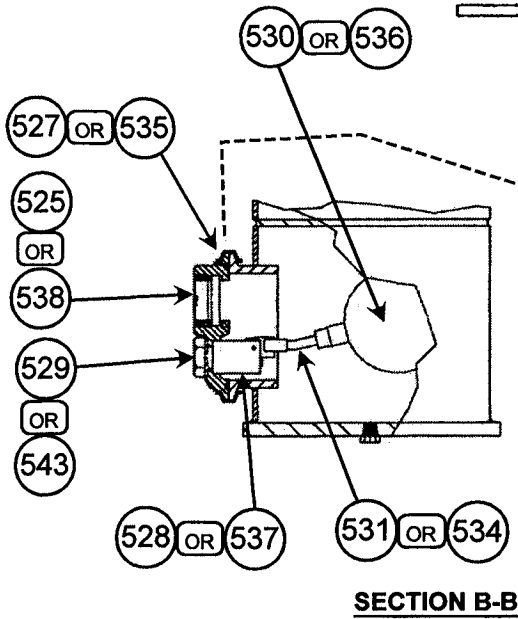
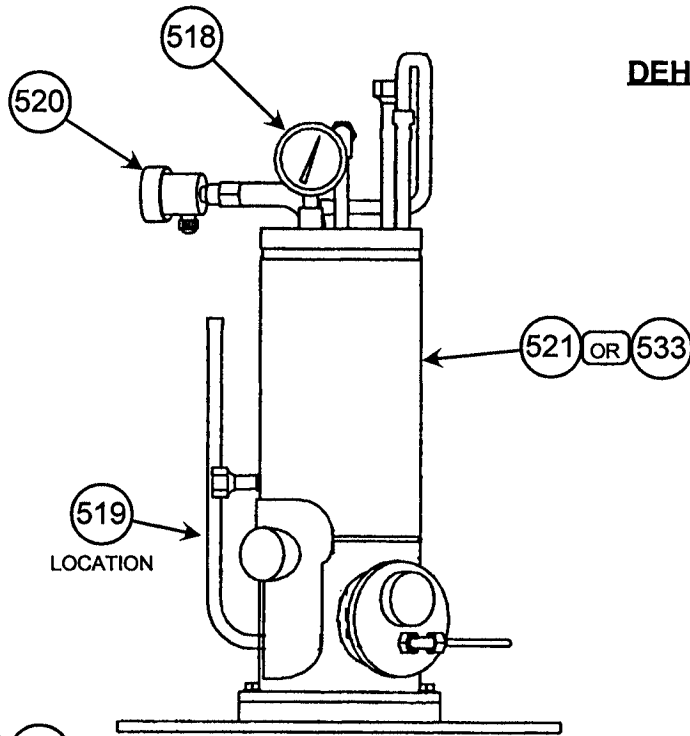
Graphics Page: 3

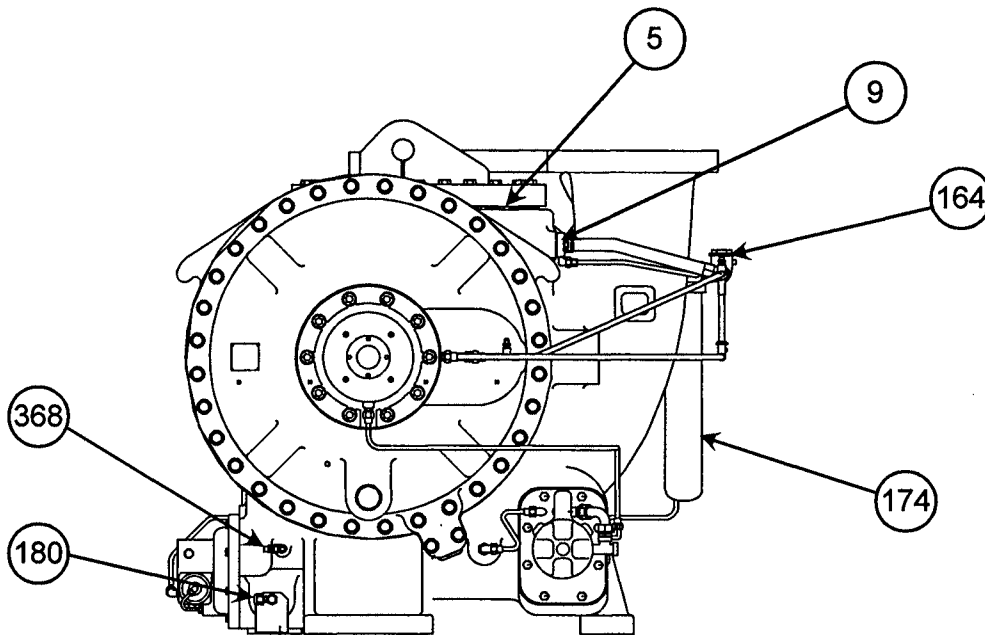
Litho in U.S.A



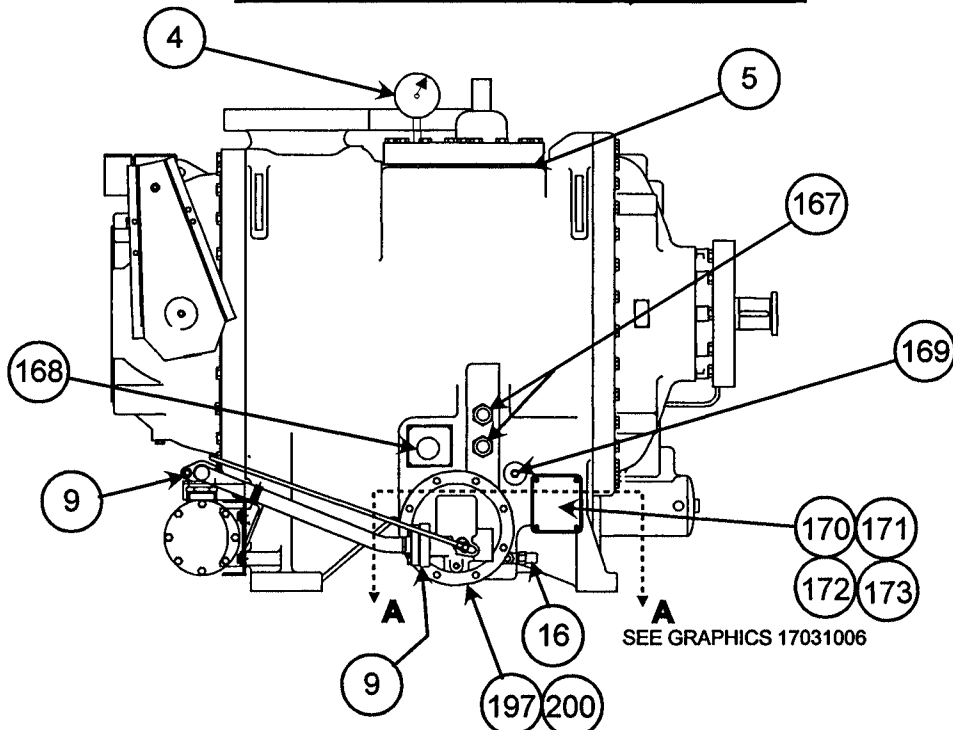
Electronic Graphics 17031003

DEHYDRATOR-PURGE ASY



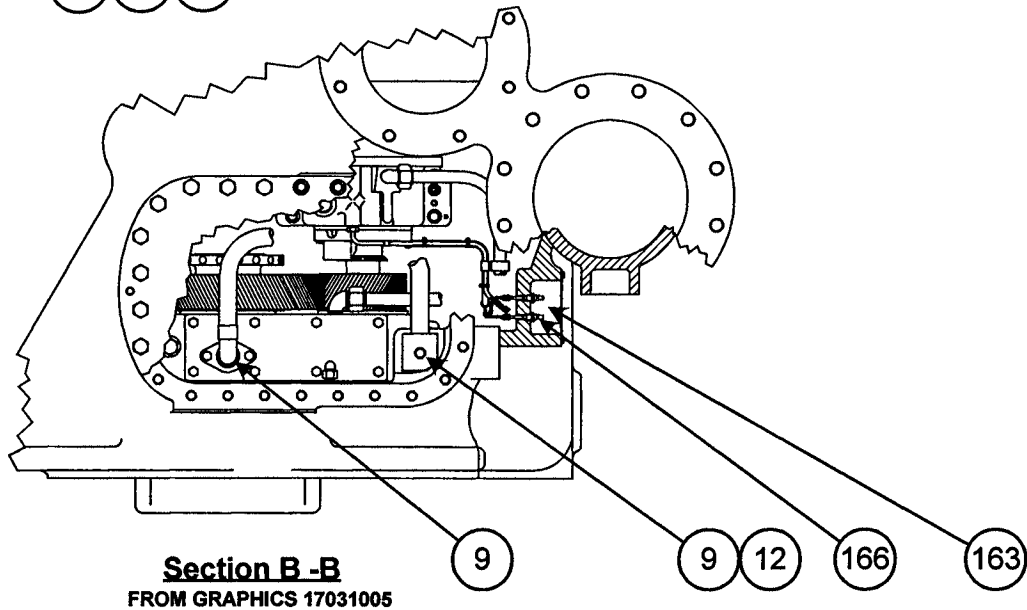
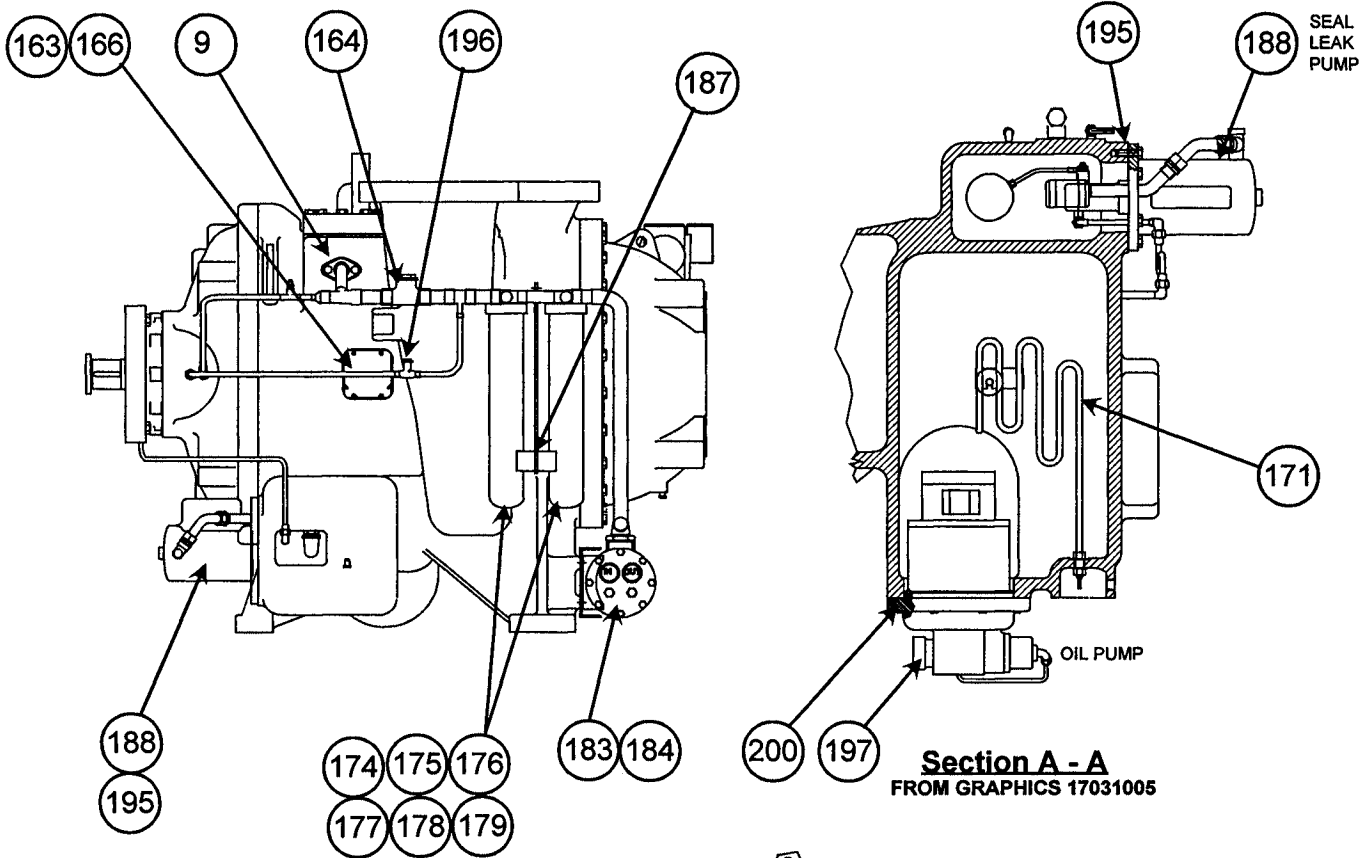


COMPRESSOR ASSEMBLY, DRIVE END



COMPRESSOR ASSEMBLY, SIDE VIEW





COMPRESSOR ASSEMBLY

Graphics Catalog
Catalog No: RCD-3517-031 (5/00)
Supersedes: 551.705 & 551.715

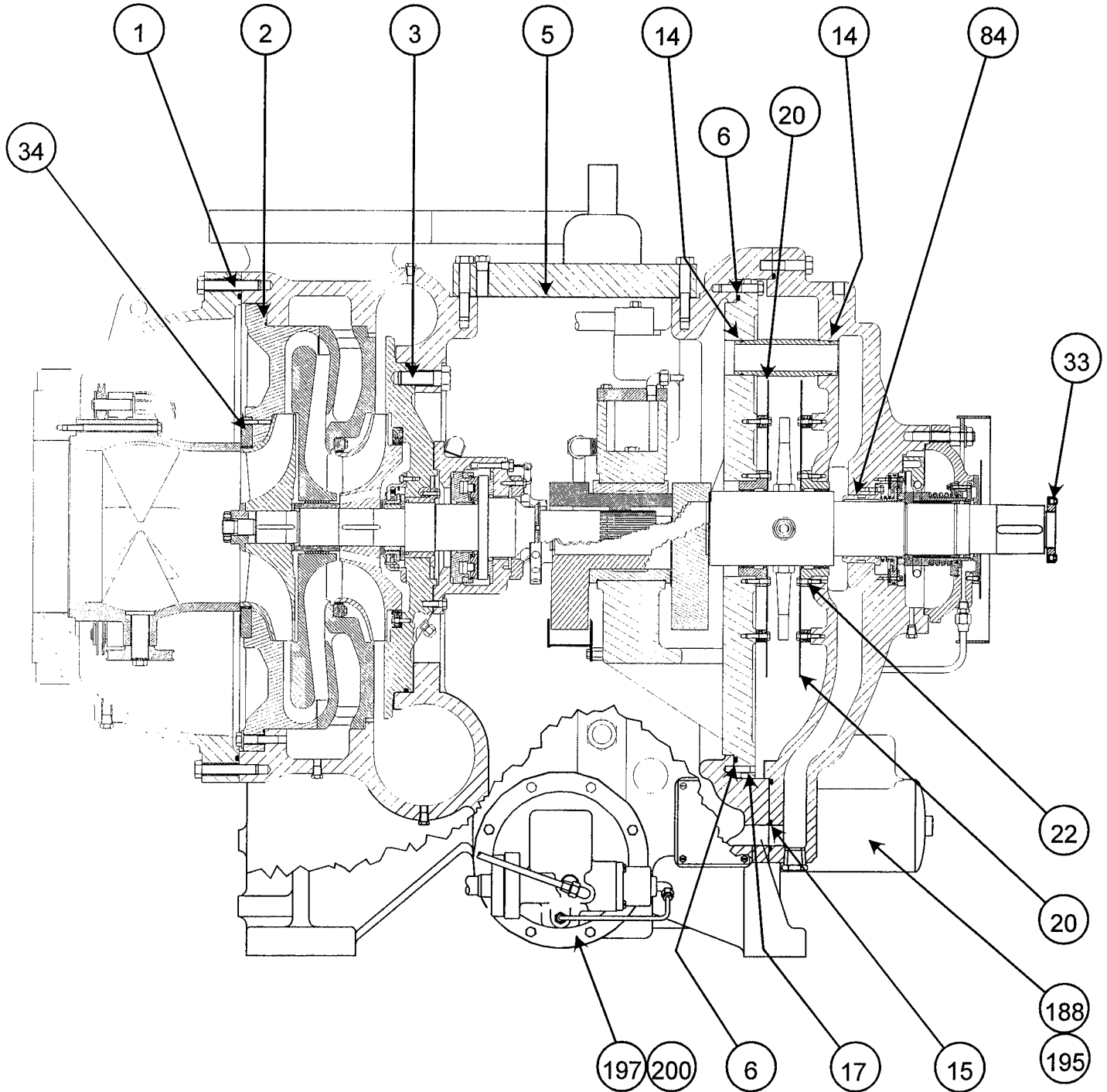
Rev.
Rev.

Note: See "Catalog Notes" on last page for explanation of symbolism.

Graphics Page: 6
Litho in U.S.A



Electronic Graphics 17031006



COMPRESSOR ASSEMBLY DETAIL

Graphics Catalog

Catalog No: RCD-3517-031 (5/00)

Rev.

Supersedes: 551.705 & 551.715

Rev.

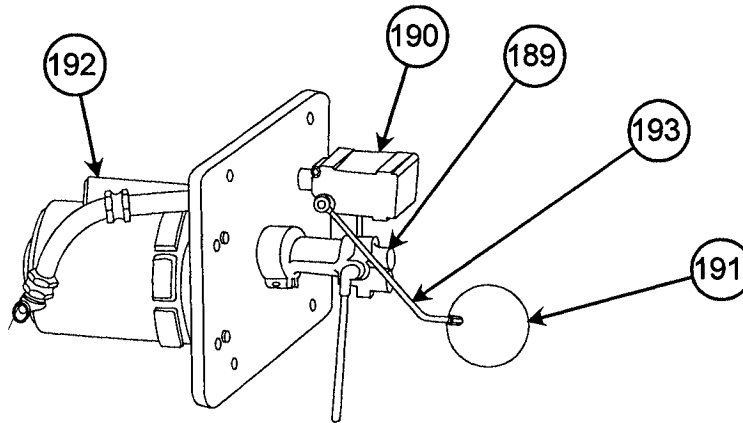
Note: See "Catalog Notes" on last page for explanation of symbolism.

Graphics Page: 7

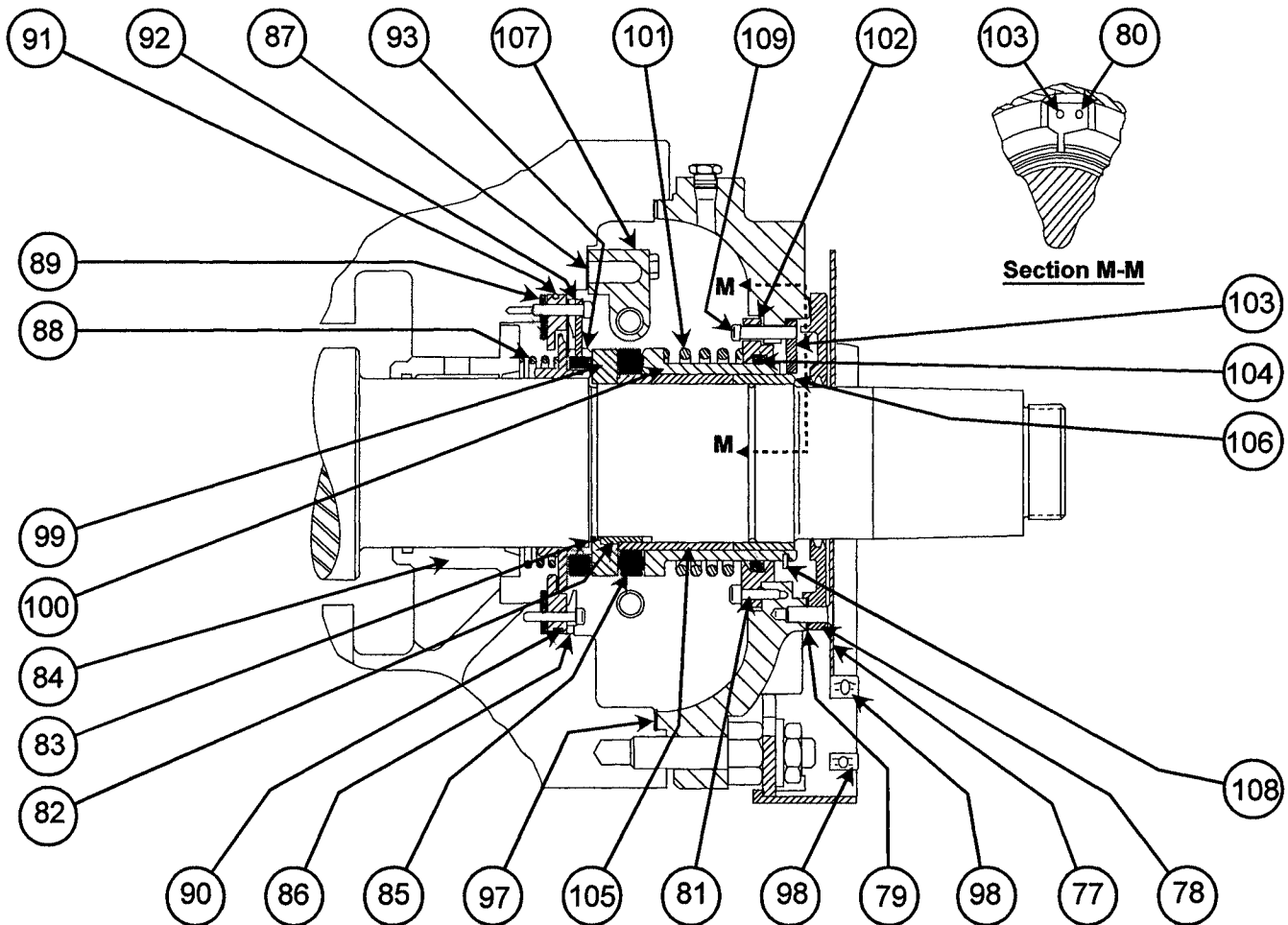
Litho in U.S.A



Electronic Graphics 17031007



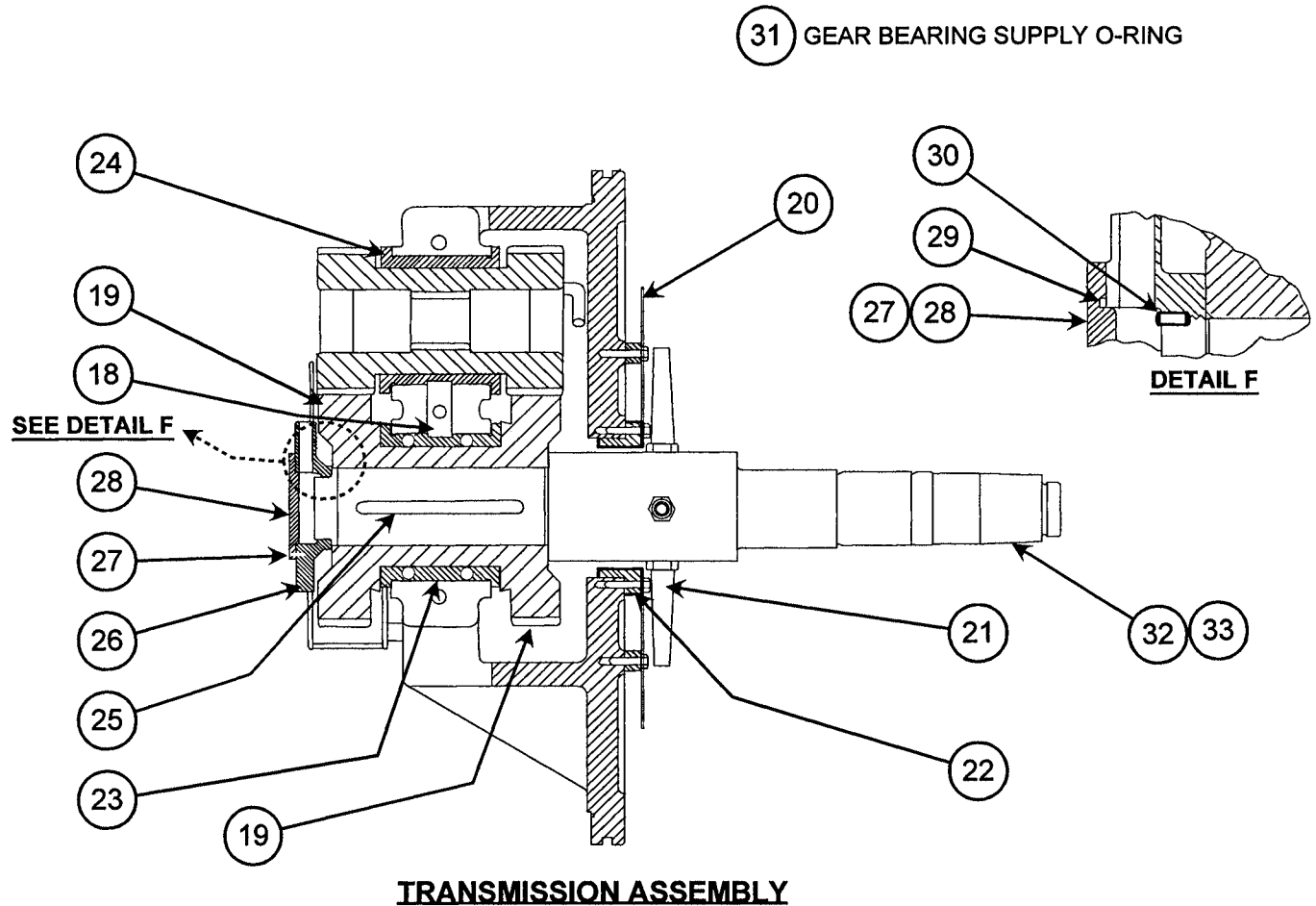
SEAL LEAKAGE PUMP (188)

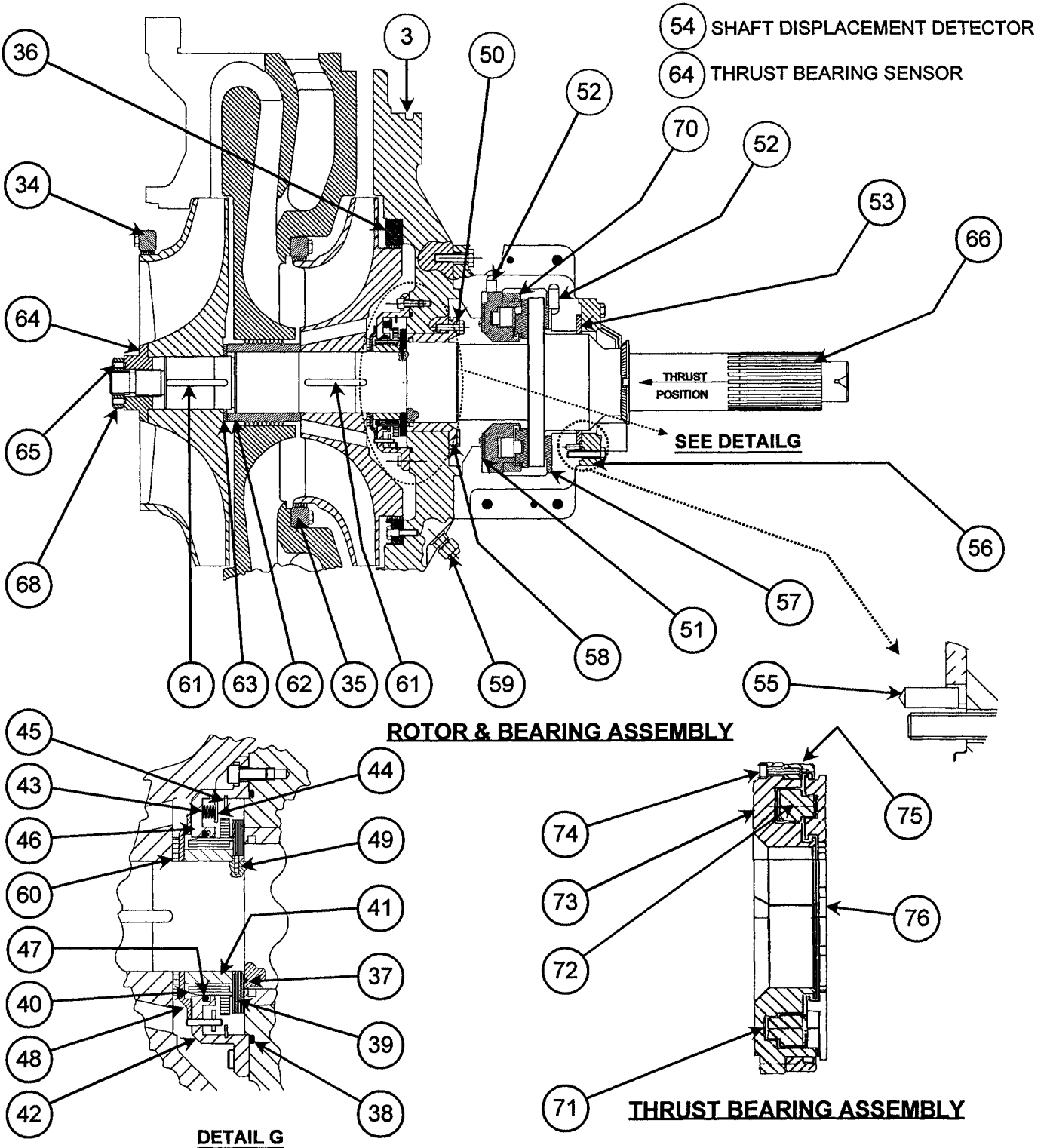


SEAL ARRANGEMENT

Graphics Catalog
 Catalog No: RCD-3517-031 (5/00) Rev.
 Supersedes: 551.705 & 551.715 Rev.
 Note: See "Catalog Notes" on last page for explanation of symbolism.

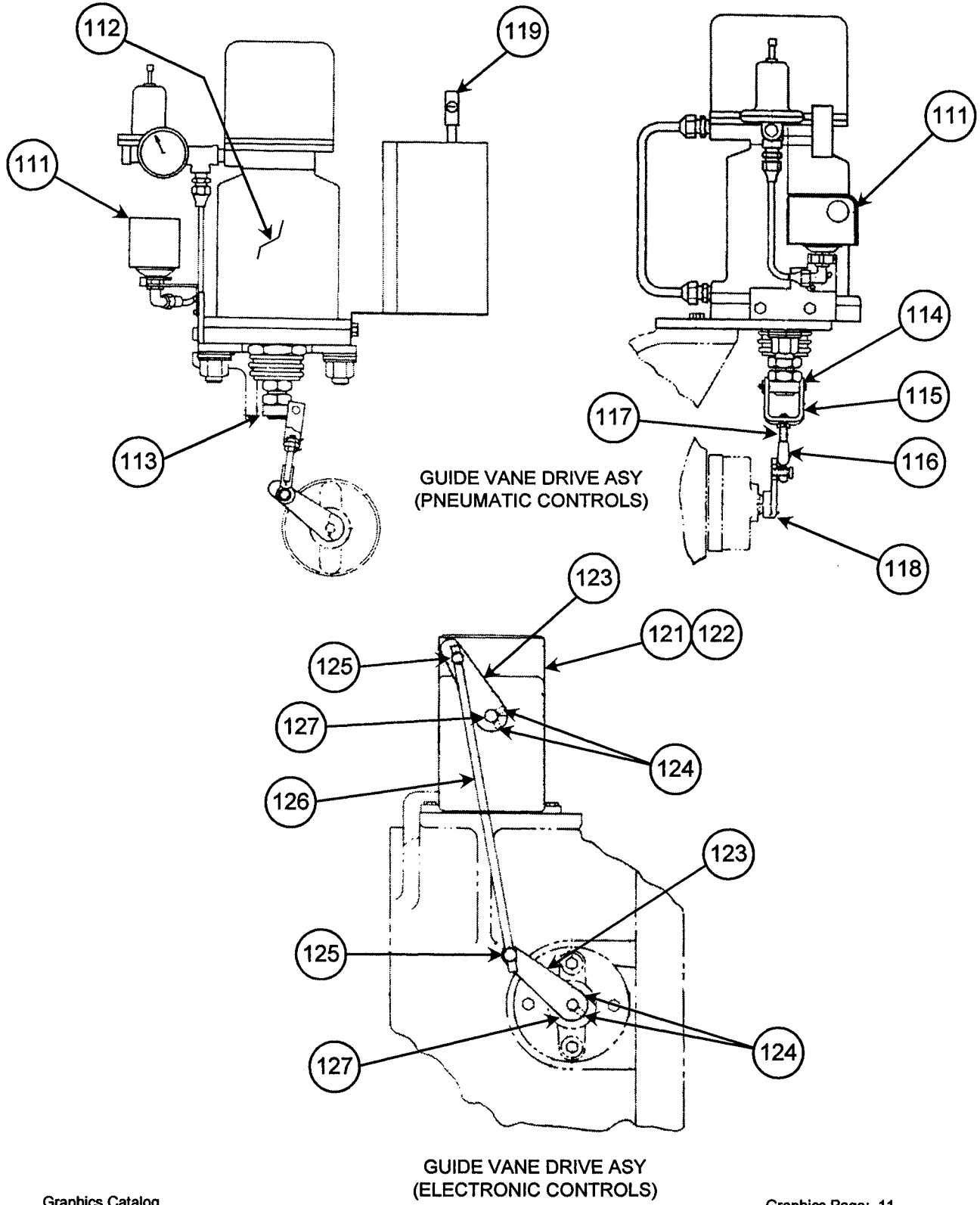
Graphics Page: 8
 Litho in U.S.A

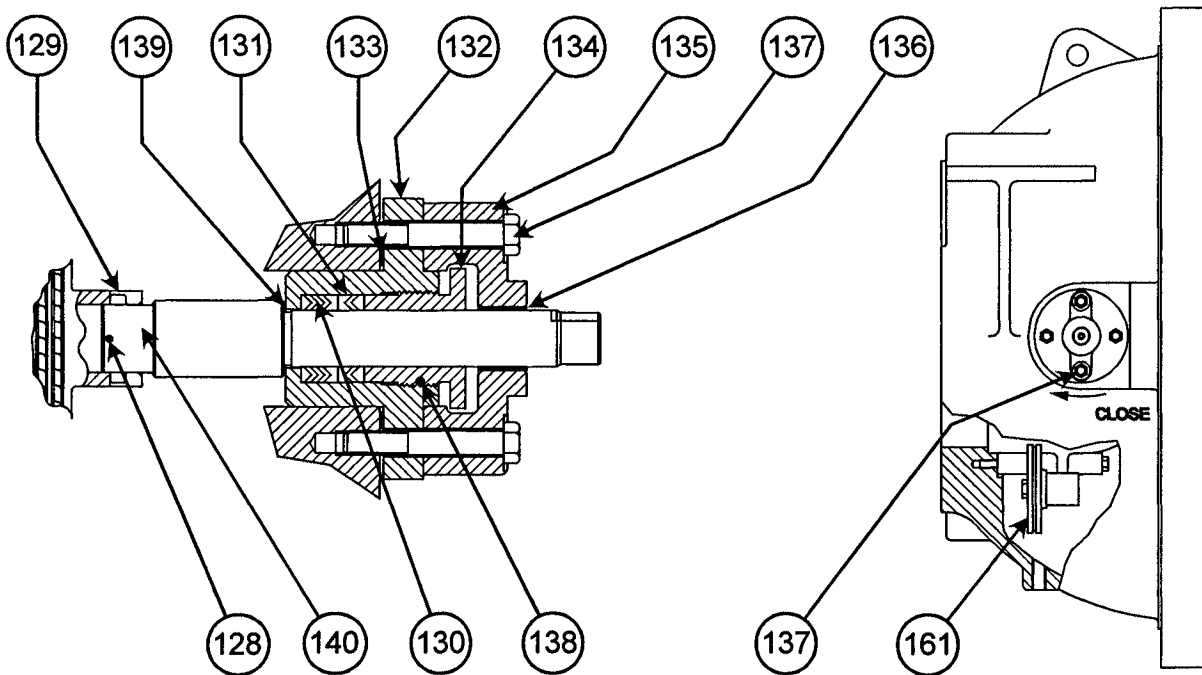
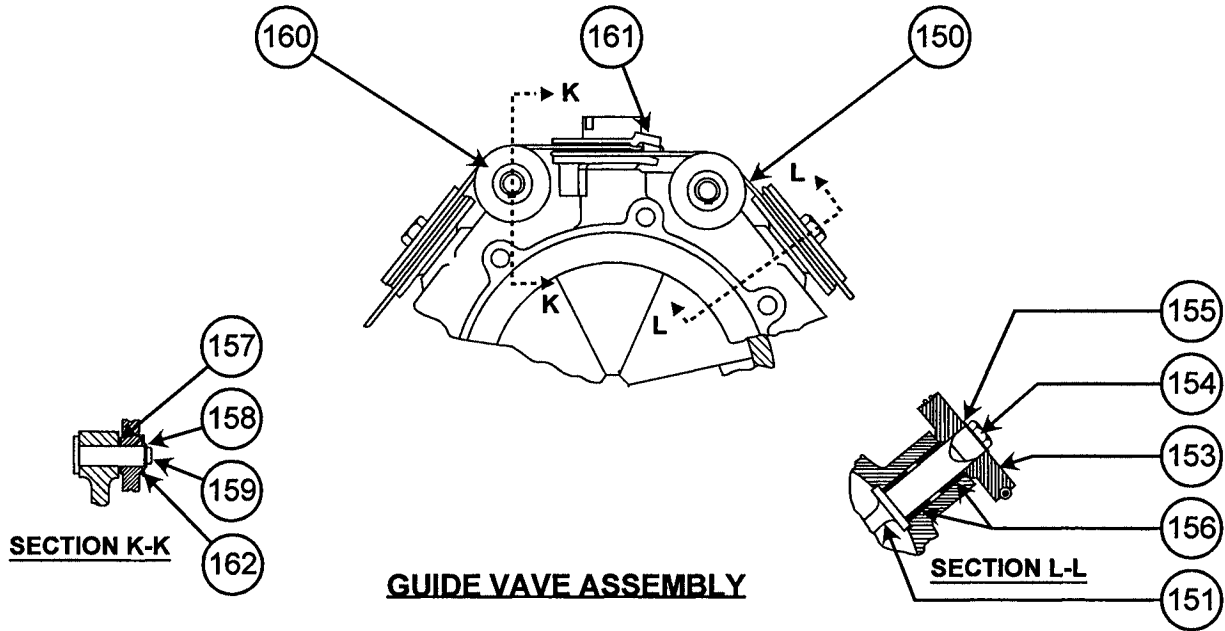


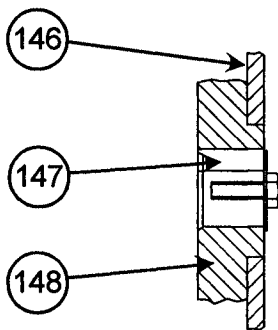
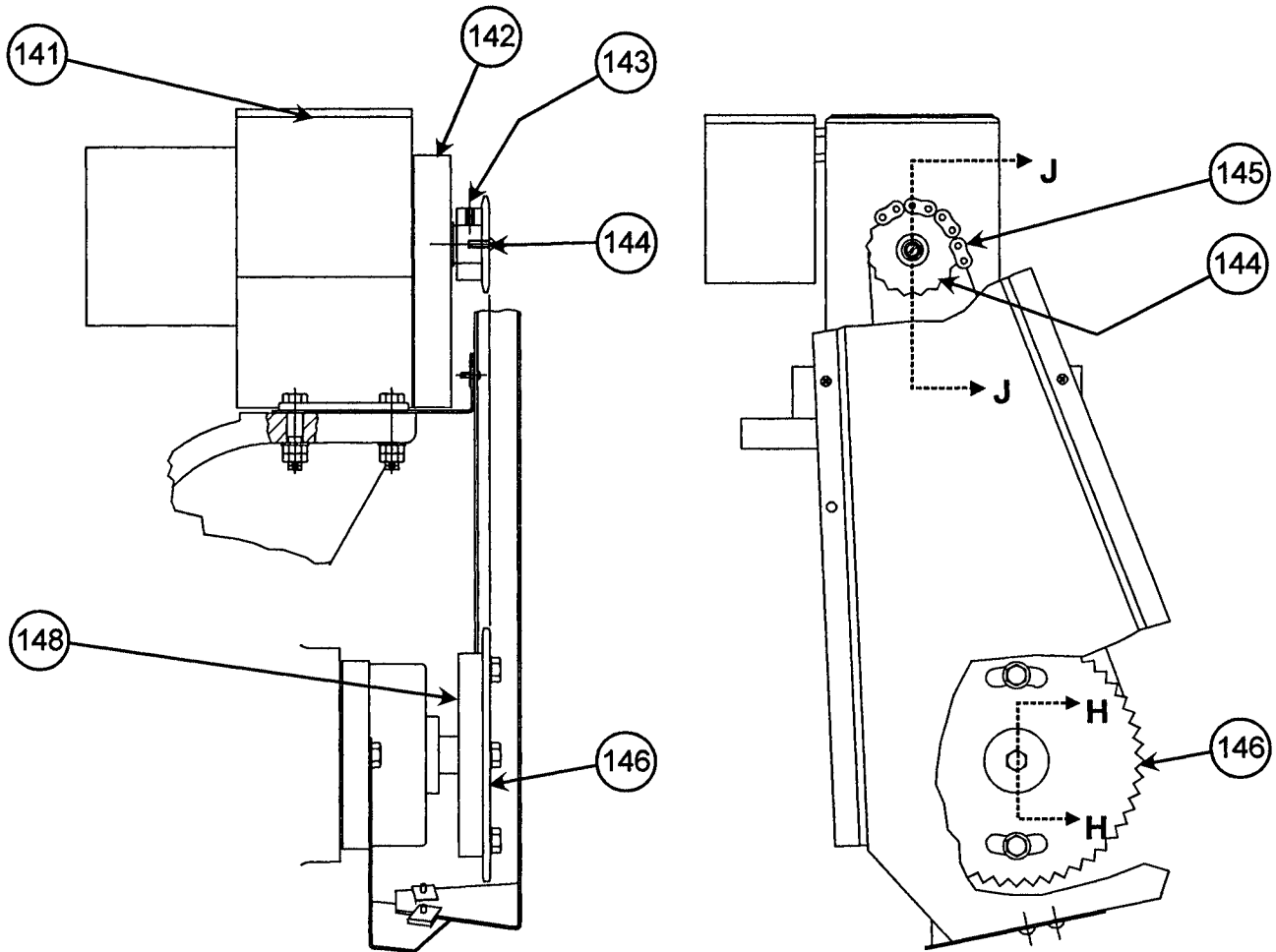


Graphics Catalog
 Catalog No: RCD-3517-031 (5/00) Rev.
 Supersedes: 551.705 & 551.715 Rev.
 Note: See "Catalog Notes" on last page for explanation of symbolism.

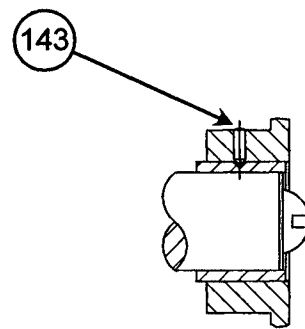
Graphics Page: 10
 Litho in U.S.A.







SECTION H-H

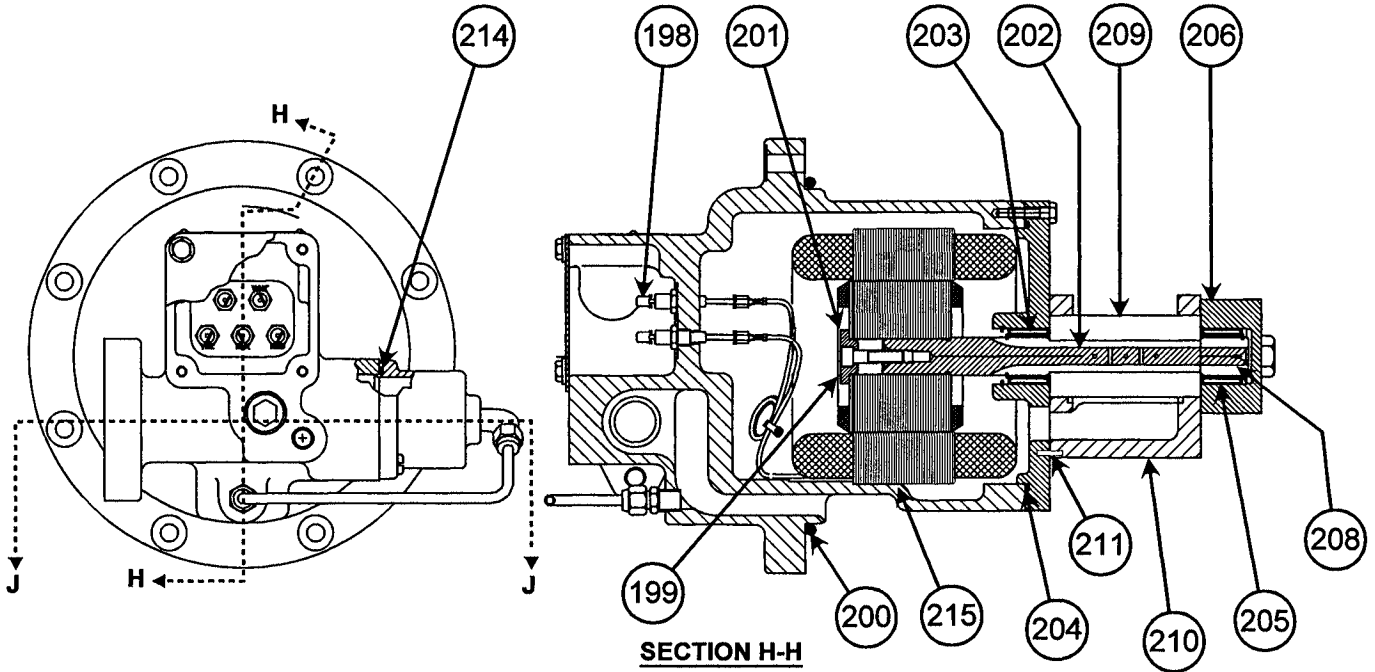


SECTION J-J

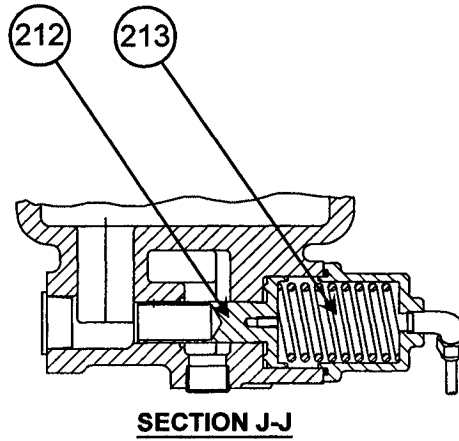
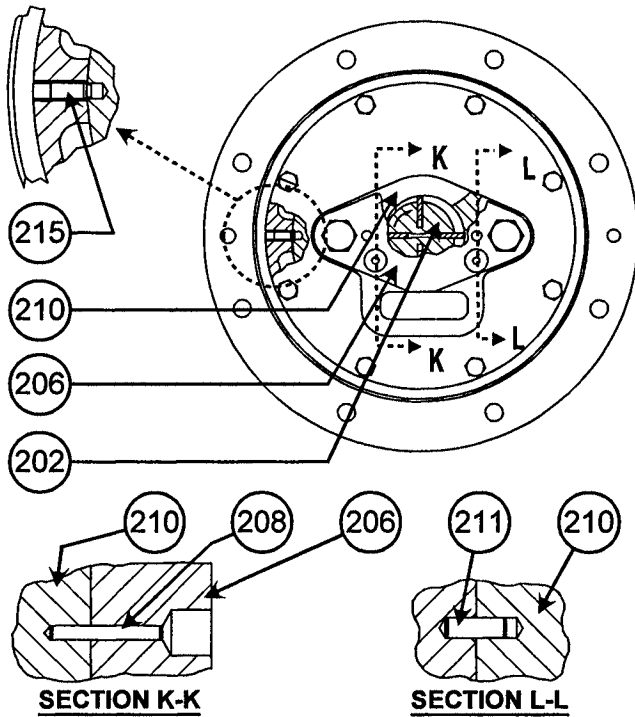
**GUIDE VANE ASY
(CHAIN DRIVE)**

Graphics Catalog
 Catalog No: RCD-3517-031 (5/00) Rev.
 Supersedes: 551.705 & 551.715 Rev.
 Note: See "Catalog Notes" on last page for explanation of symbolism.

Graphics Page: 13
 Litho in U.S.A.

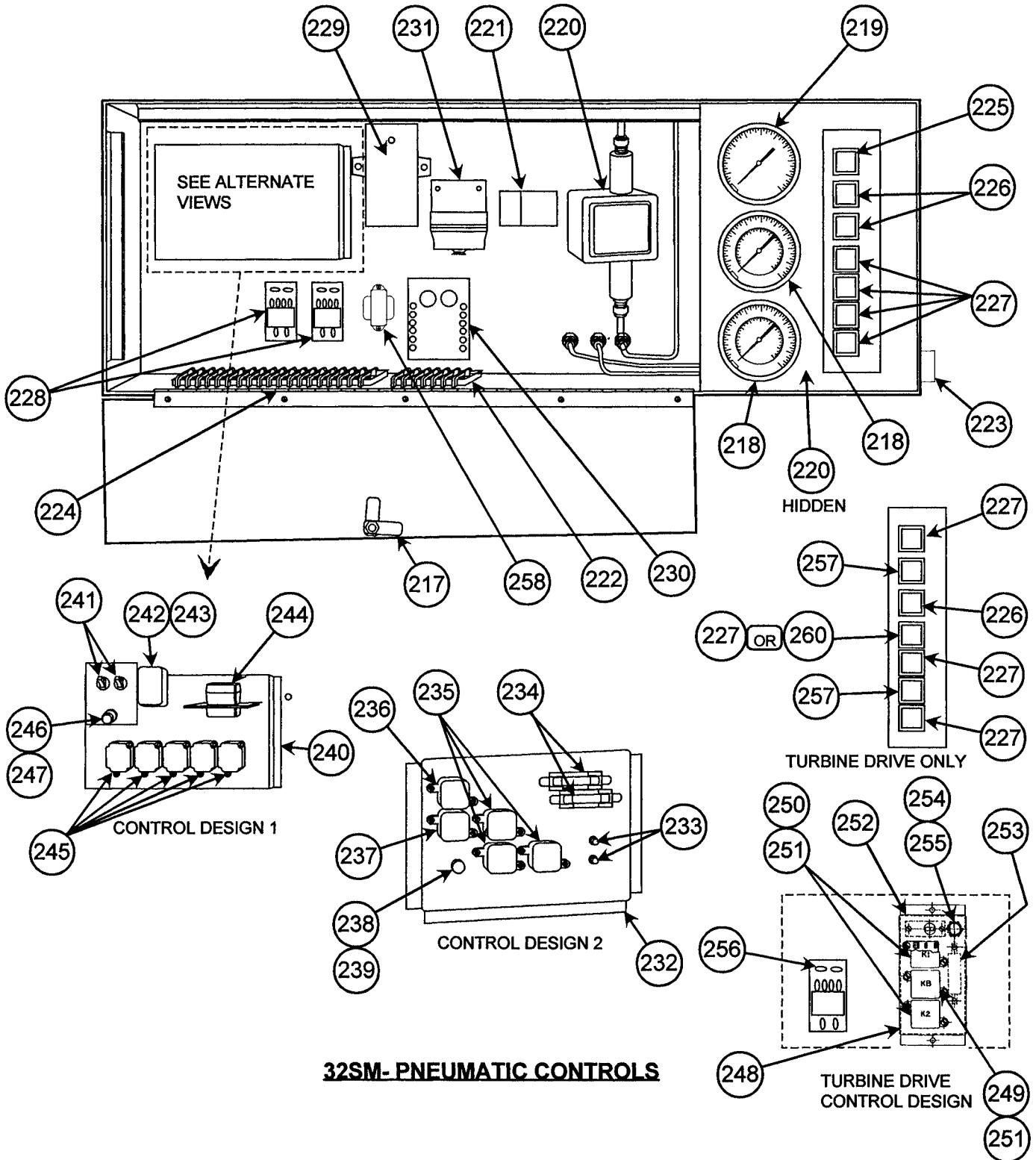


*** REFER TO SERVICE BULLETIN
C9402 FOR MORE INFORMATION**



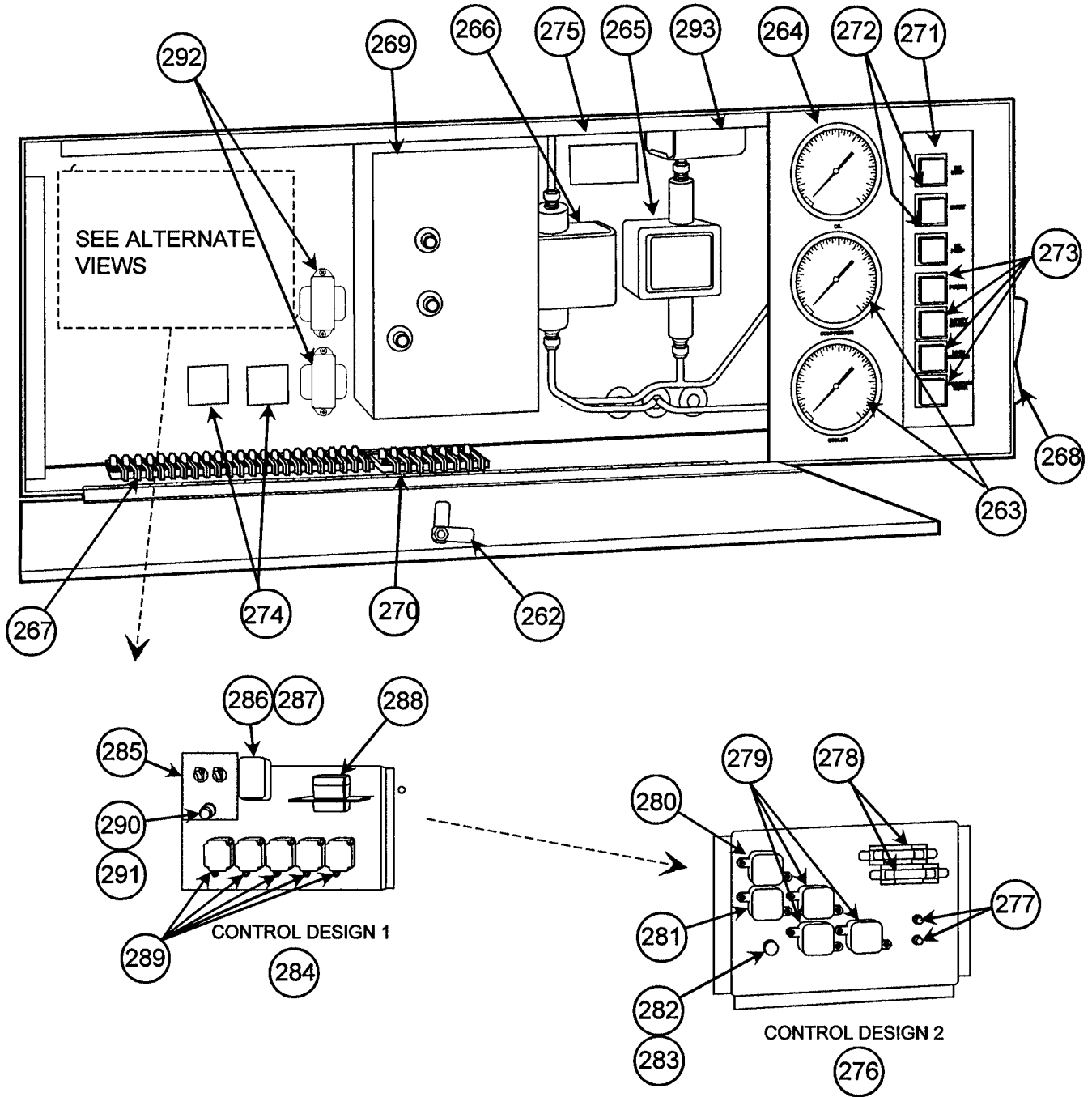
OIL PUMP AND MOTOR ASY





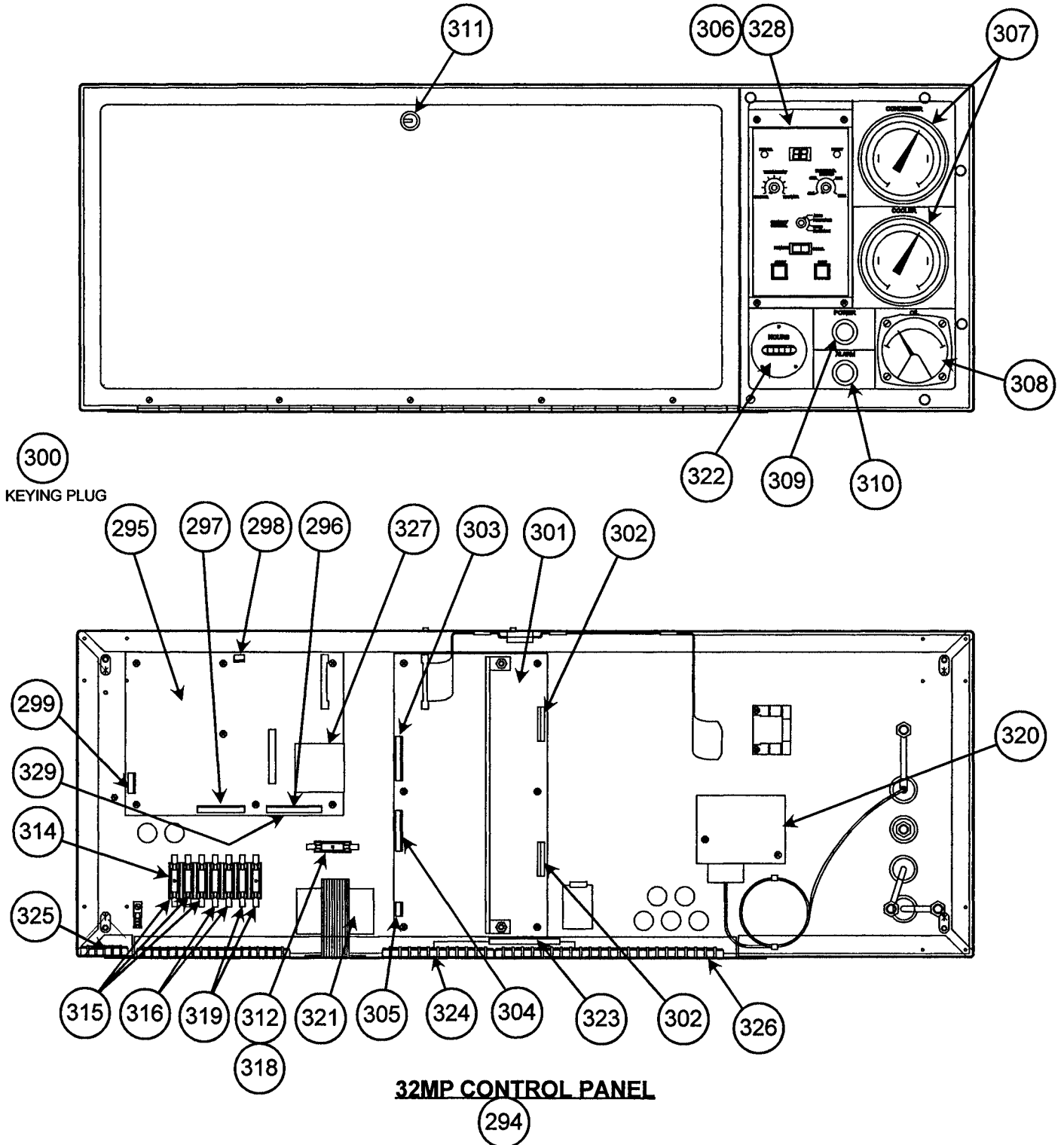
32SM- PNEUMATIC CONTROLS

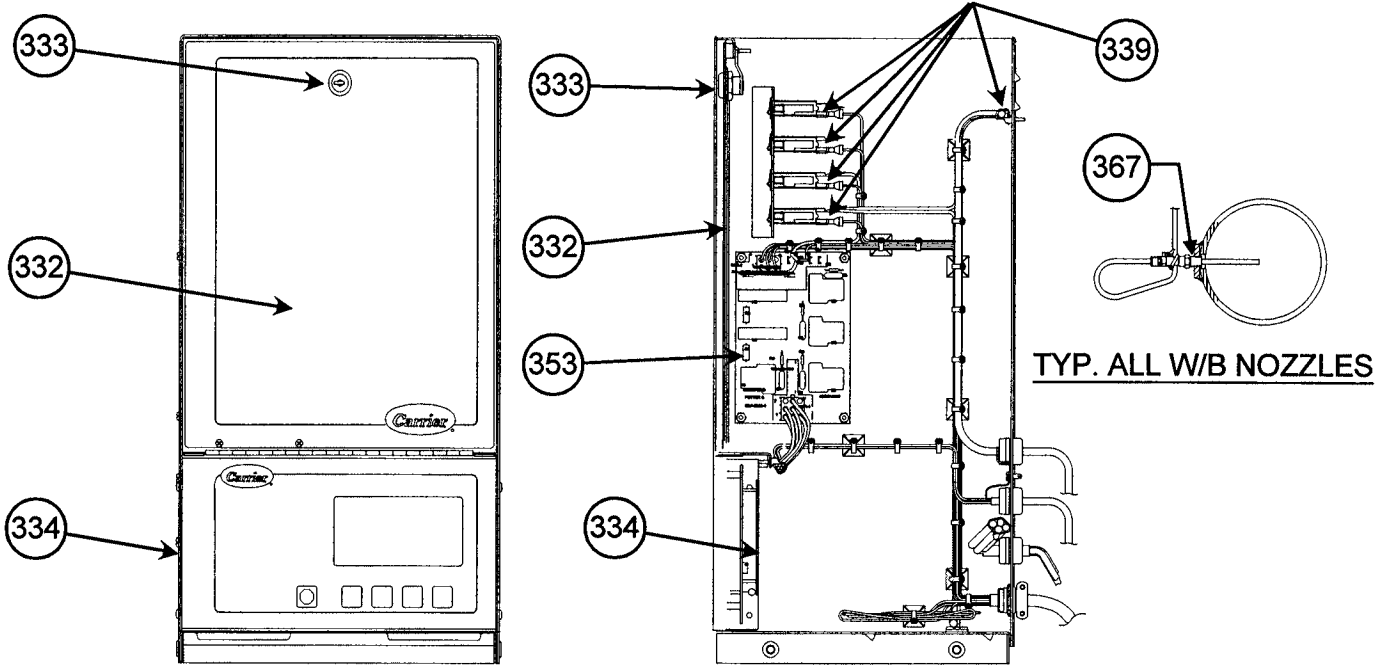




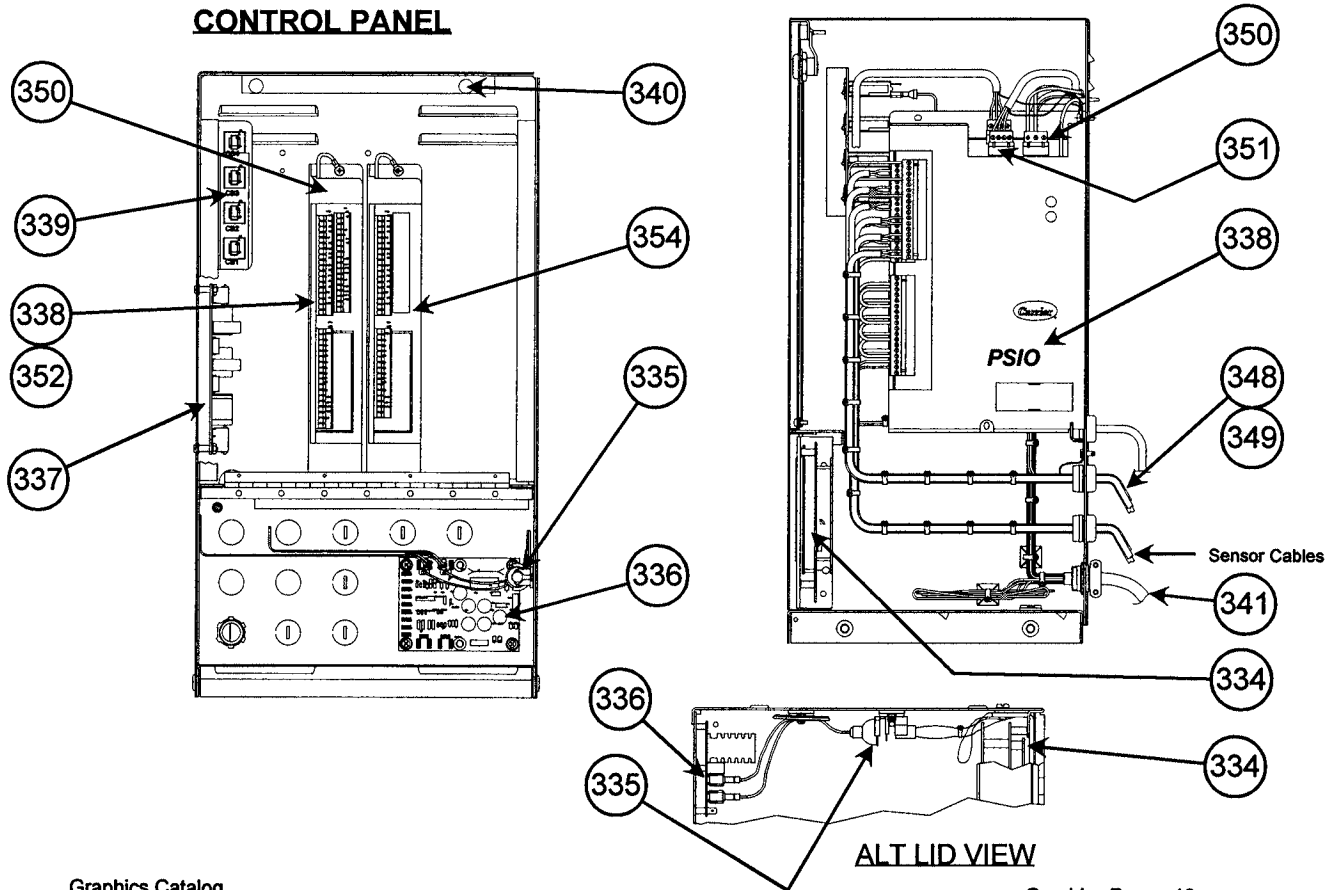
32SM- ELECTRONIC CONTROLS

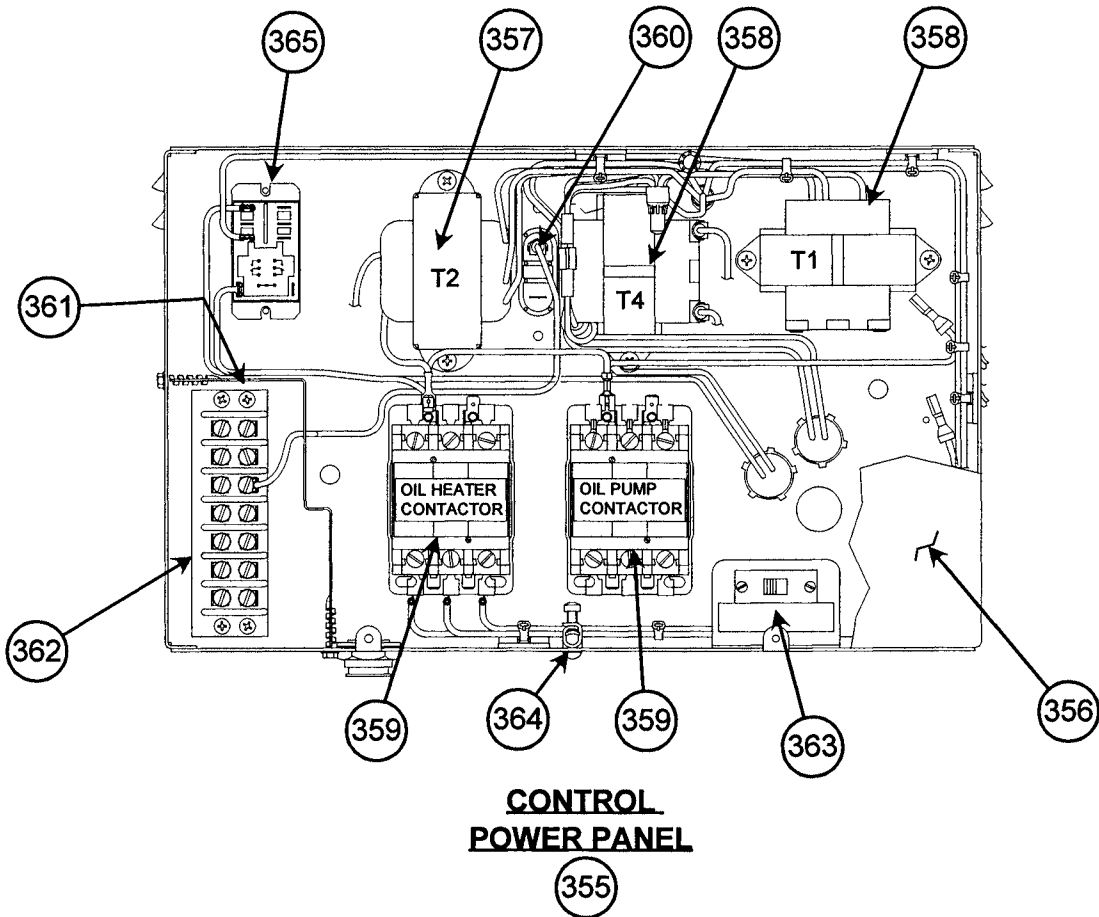


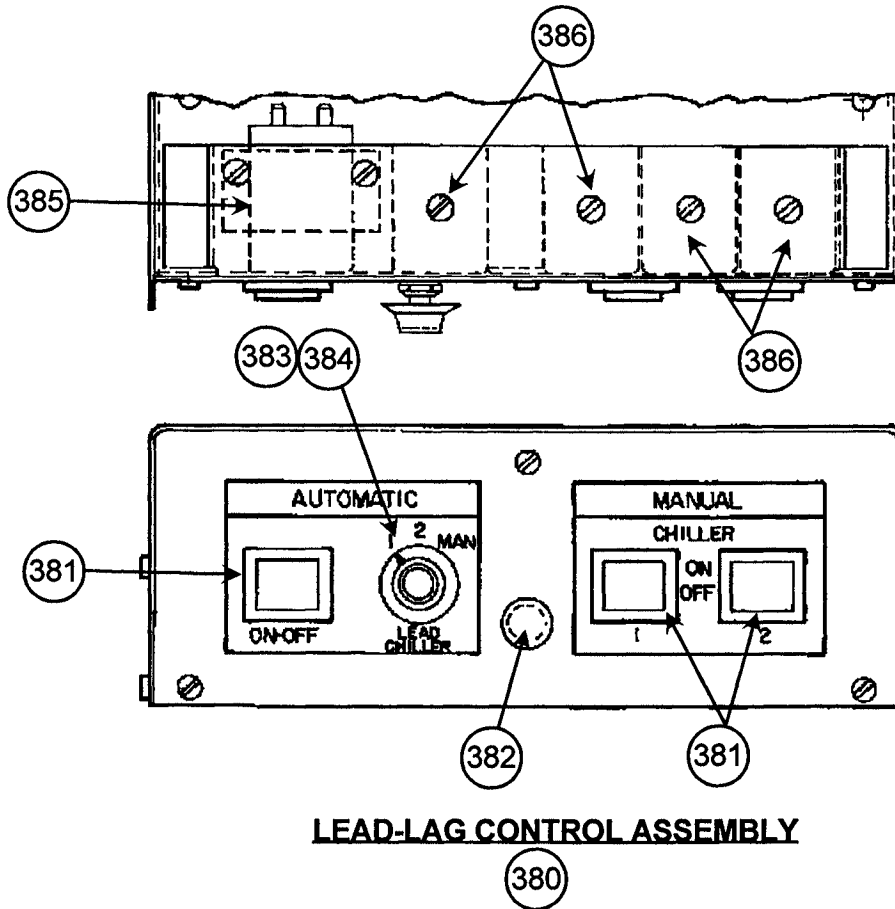
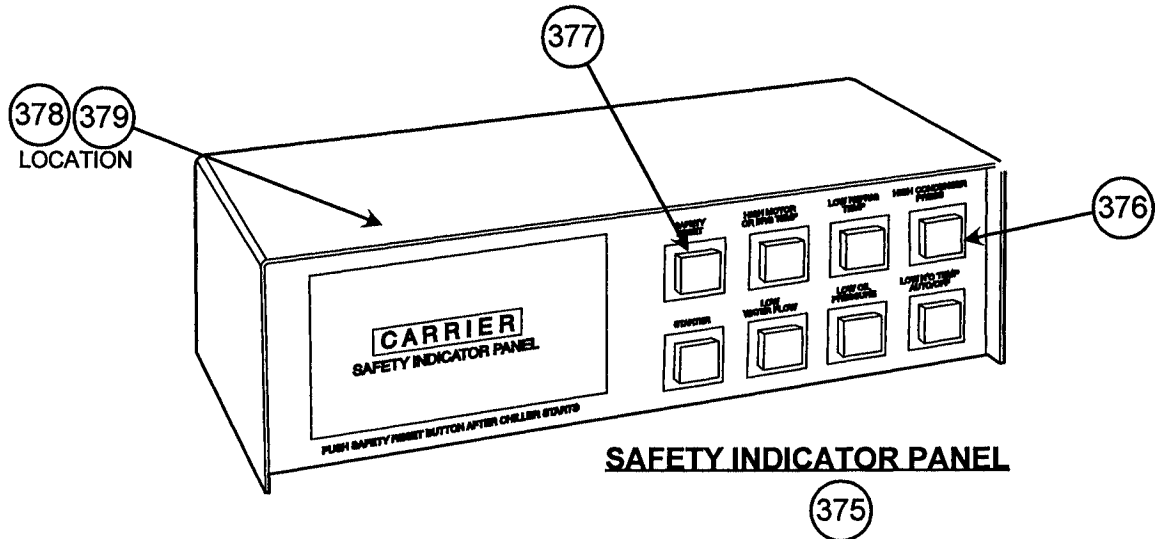


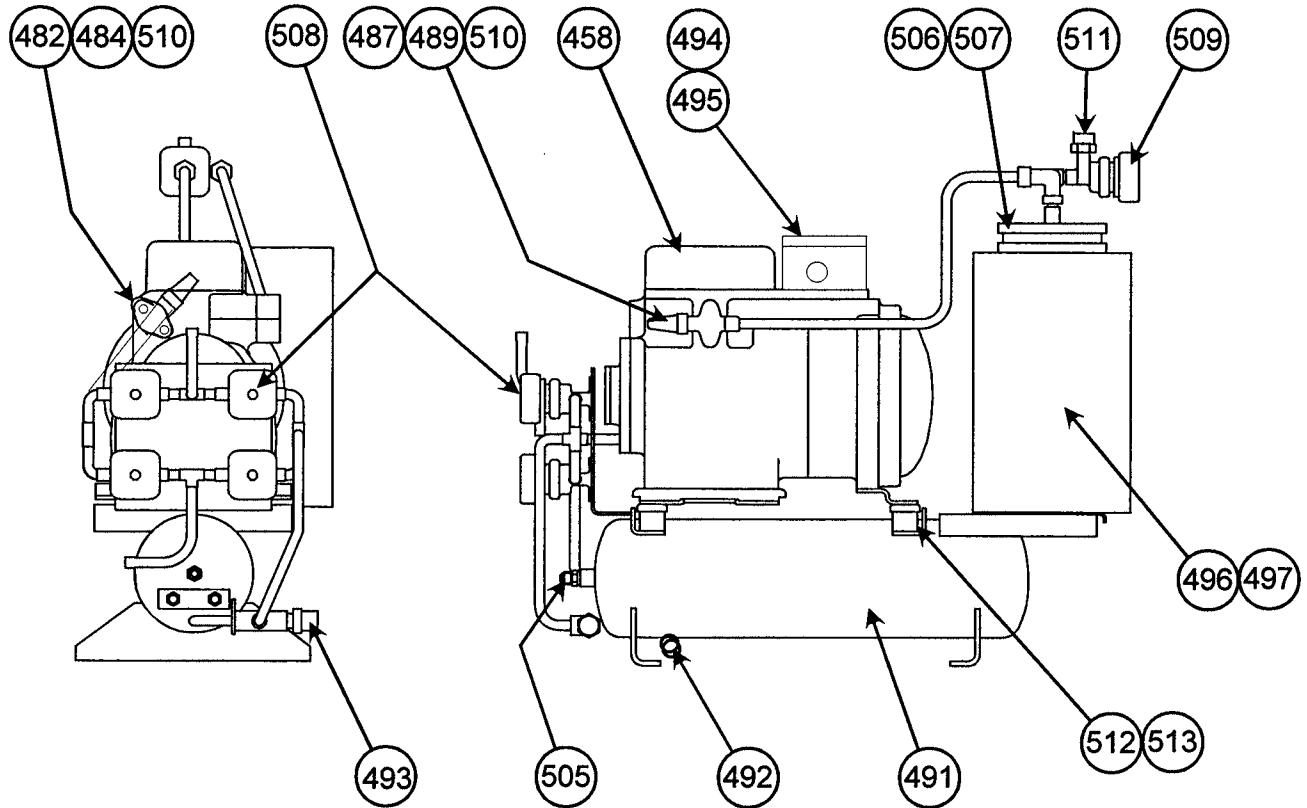


CONTROL PANEL

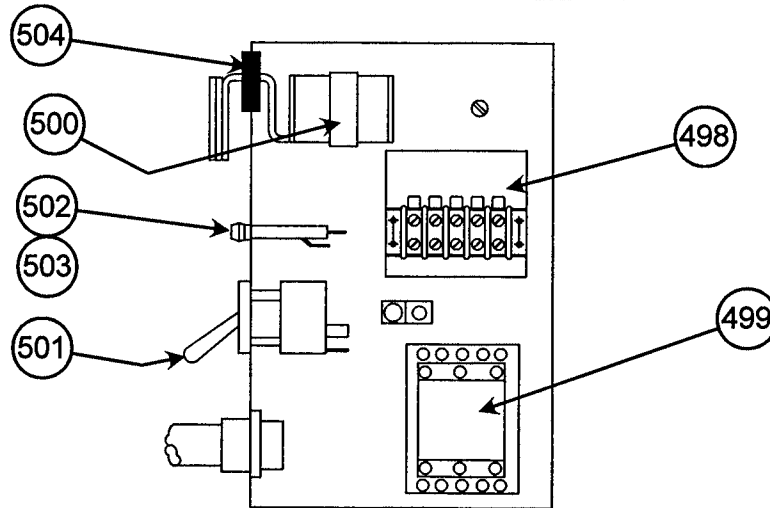








PUMPDOWN ASY.



PUMPDOWN CONTROL BOX ASY.

497

Graphics Catalog
 Catalog No: RCD-3517-031 (5/00) Rev.
 Supersedes: 551.705 & 551.715 Rev.
 Note: See "Catalog Notes" on last page for explanation of symbolism.

Graphics Page: 21
 Litho in U.S.A





OPEN DRIVE CENTRIFUGAL
LIQUID CHILLER

17FA

SIZE: 004 005
SERIES: 0

ITM	PART DESCRIPTION	17FA004	17FA005		
		ALL VOLTAGES	ALL VOLTAGES		
COMPRESSOR GROUP					
1	O-RING, GUIDE VANE HOUSING	KK71GX218	KK71GX267		
2	O-RING, INTAKE WALL	KK71GX200	KK71GX245		
3	O-RING, DISCHARGE WALL	KK71EW458	KK71EW468		
4	TEMPERATURE GAUGE, THRUST BEARING	KM14AC252	KM14AC253		
5	GASKET, INSPECTION COVER	17FA4021303LA	17FA5021303LA		
6	O-RING, TRANSMISSION HOUSING	KK71GX199	KK71GX267		
9A	GASKET (2 BOLT)	DK29GA005LA	->		
9B	GASKET (4 BOLT)	DK37GA001	->		
10	O-RING	KK71EW223	->		
11	O-RING	KK71GZ018	->		
12	WASHER GASKET	AU51YA015	->		
13	DISCHARGE/BEARING SENSOR	19FA660028	->		
14	O-RING, VENT TUBE	(2) KK71GX016	(2) ->		
15	O-RING	KK71GX015	->		
16	VALVE, CHARGING	7792-B	->		
17	LOC DOWEL	AX23AT293	->		
COMPRESSOR TRANSMISSION ASSEMBLY					
18	KEY, BEARING	17FA4021122	17FA5021122		
19A	GEAR & PINION PACKAGE (GEAR A)	19FA660010	19FA660005		
19B	GEAR & PINION PACKAGE (GEAR B)	19FA660001	19FA660006		
19C	GEAR & PINION PACKAGE (GEAR C)	19FA660002	19FA660007		
19D	GEAR & PINION PACKAGE (GEAR D)	19FA660003	19FA660008		
19E	GEAR & PINION PACKAGE (GEAR T)	19FA660004	19FA660009		
20	WINDAGE BAFFLE	(2) 17FA5021243	(2) ->		
21	NOZZLE, SPRAY	(4) 19EA411792	->		
22	SHAFT LABYRINTH	17FA4022094	17FA5022094		
23	BEARING ASSEMBLY, BULL GEAR	17GA402444	17FA502304		
24A	BRG. ASY. PINION GEAR (FRAME C, D)	17FA402314	X		
24B	BRG ASY. PINION GEAR (FRAME A, B, T)	17FA402324	X		
24C	BRG ASY. PINION GEAR (FRAME A, B, C, T)	X	17FA502384		
24D	BRG ASY. PINION GEAR (FRAME D)	X	17FA502374		
25	GEAR KEY	(2) 17FA4021252	(2) 17FA5021252		
26	DEMISTOR	19EA411063	->		
27	SCREW	(6) AC26AA126	(6) ->		
28	COVER, DEMISTOR	19EA411152	->		
29	O-RING, DEMISTOR COVER	KK71GU0311A	->		
30	SET SCREW	AE24AV164	->		
31	O-RING (PINION/GEAR BRG OIL SUPPLY)	(2) KK71GX010	(2) ->		
32A	COUPLING, SHAFT (1-1/2")	17FA4221094	X		
32B	COUPLING, SHAFT (2")	17FA4121094	X		
32C	COUPLING, SHAFT (2-1/2")	17FA4021094	17FA5022154		
32D	COUPLING, SHAFT (3")	X	17FA5021094		
33A	LOCKNUT, SHAFT COUPLING (1-1/2")	17DA811962	X		
33B	LOCKNUT, SHAFT COUPLING (2")	17DA811952	X		
33C	LOCKNUT, SHAFT COUPLING (2-1/2")	17DA811942	->		
33D	LOCKNUT, SHAFT COUPLING (3")	X	17DA811932		
COMPRESSOR ROTOR & BEARING ASSEMBLY					
34A	1ST STAGE LABYRINTH (A2 SHROUD)	19FA4021163	X		
34B	1ST STAGE LABYRINTH (A3 SHROUD)	19EA431413	19EA532034		
34C	1ST STAGE LABYRINTH (A4 SHROUD)	19EA451413	19EA542034		
34D	1ST STAGE LABYRINTH (A5 SHROUD)	19EA481413	19EA552034		
34E	1ST STAGE LABYRINTH (A6 SHROUD)	19AE411363	19AE562034		
35A	2ND STAGE LABYRINTH (A2 SHROUD)	19FA4021153	X		
35B	2ND STAGE LABYRINTH (A3 SHROUD)	19FA421033	19FA532044		

PARTS LIST CATALOG

PARTS LIST PAGE: 001

CATALOG NO. : RCD-3517-031 REV.
SUPERSEDES : 551-705 & 715 REV.

NOTE: SEE "CATALOG NOTES" ON LAST PAGE FOR EXPLANATION OF SYMBOLISM.



OPEN DRIVE CENTRIFUGAL
LIQUID CHILLER

17FA

SIZE: 004 005
SERIES: 0

ITM	PART DESCRIPTION	17FA004	17FA005		
		ALL VOLTAGES	ALL VOLTAGES		
COMPRESSOR ROTOR & BEARING ASSEMBLY					
35C	2ND STAGE LABYRINTH (A4 SHROUD)	19EA441033	19EA542044		
35D	2ND STAGE LABYRINTH (A5 SHROUD)	19EA461033	19EA552044		
35F	2ND STAGE LABYRINTH (A6 SHROUD)	19EA421073	19EA562044		
36	LABYRINTH,BALANCING PISTON	SEE NOTE	->		
NOTE: YOU MUST CONTACT YOUR CARRIER REPRESENTATIVE IF YOU REQUIRE THE BALANCING PISTON LABRINTH FOR YOUR MACHINE. YOU MUST PROVIDE MACHINE SERIAL NUMBER TO INSURE THAT YOU OBTAIN CORRECT PART.					
37	O-RING	KK71GX022	KK71GX024		
38	O-RING,SEAL HOUSING	KK71GX037	KK71GZ051		
39	CONTACT SEAL	19EA411172	19EA511172		
40A	CARBON SEAL RING (SSN 8/81)	19EB4121003	19EB5121012		
40B	CARBON SEAL RING (PSN 8/81)	19EB4121003	19EB5121012		
NOTE: FOR THE FIRST TIME REPLACEMENT OF SEAL RING ON MACHINES SHIPPED PRIOR TO 8/81 A NEW SEAL HOUSING ASY IS ALSO REQUIRED.					
41A	SHAFT SLEEVE (R12,R500)	19EA411081	19EA511892		
41B	SHAFT SLEEVE (R114 ONLY)	17FA4021582	->		
42	SEAL HOUSING ASSEMBLY	19EB412102	19EB512102		
NOTE: FOR FIRST TIME REPLACEMENT OF SEAL HOUSING ASY ON MACHINES SHIPPED PRIOR TO 8/81 A NEW CARBON SEAL RING IS ALSO REQUIRED. INCLUDES: ITEMS 43-46.					
43	SPRING	(8) 19EA411291	(12) ->		
44	SPRING RETAINER	19EA411392	19EA511392		
45	RETAINER RING	AU46AR975	AU46AR976		
46	SEAL HOUSING	19EB412102	19EB512103		
NOTE: FOR FIRST TIME REPLACEMENT OF SEAL HOUSING ON MACHINES SHIPPED PRIOR TO 8/81 A NEW CARBON SEAL RING IS ALSO REQUIRED.					
47	O-RING CARBON SEAL	KK71GX025	KK71GX031		
48	SLINGER RING	19EA411382	19EA511382		
49	DOWEL PIN	AX11AR037	->		
50	RETAINER,BEARING	17FA4021052	17FA5021052		
51	SHIM,THRUST BEARING	17FA402213	17FA502213		
52	KEY,THRUST BEARING	17FA4021372	->		
53	SEAL RING	19EA411312	19EA511862		
54	SHAFT DISPLACEMENT DETECTOR	19FA680006	->		
55	DRIVE PIN	AX27AB122	->		
56	MOUNTING RING ASSEMBLY	17FA402143	17FA502143		
57	BEARING,COUNTER THRUST	17FA402113	17FA502113		
58	JOURNAL BEARING ASSEMBLY	17FA402123	17FA502123		
59	CHECK VALVE ORIFICE	19EA41262	->		
60	SHIM,IMPELLER	19EA411111	19EA511882		
61	KEY,IMPELLER	17FA4021362	(6) 17FA5021362		
62	SPACER,IMPELLER	19EA411372	19EA551372		
63	SHIM,IMPELLER	19EA411101	19EA531882		
64	LOCKNUT,IMPELLER (LH THREAD)	17FA4121602	17FA5121602		
65	SET SCREW,IMPELLER LOCKNUT	(2) AE17AR122	(2) AE17AR166		
66A	IMPELLER SHAFT(CALL GEARS EX TURB (T)	17FA4021054	17FA5021054		
66B	IMPELLER SHAFT (W/TURBINE (T) GEARS)	17FA4021064	17FA5021054		
68	LOCKNUT,IMPELLER (RH THREAD)	17FA4021602	17FA5021602		
69	SENSOR,THRUST BEARING THRUST BEARING ASSEMBLY	17FA502402	->		
70	THRUST BEARING ASSEMBLY	17FA402354	17FA502354		
NOTE: INCLUDES ITEMS 71-76.					
71	PAD,SPACER	(6) 19DA131261	(8) 19EA512032		
72	LEVELING PAD	(12) 19D320052	(16) 19EA520163		

PARTS LIST CATALOG

PARTS LIST PAGE: 002

CATALOG NO.: RCD-3517-031 REV.
SUPERSEDES : 551-705 & 715 REV.

NOTE: SEE "CATALOG NOTES" ON LAST PAGE FOR EXPLANATION OF SYMBOLISM.



OPEN DRIVE CENTRIFUGAL
LIQUID CHILLER

17FA

SIZE: 004 005
SERIES: 0

ITM	PART DESCRIPTION	17FA004	17FA005		
		ALL VOLTAGES	ALL VOLTAGES		
THRUST BEARING ASSEMBLY					
73	BASE RING ASSEMBLY	17FA402344	17FA502344		
74	SCREW, SOCKET HEAD	(6) AA44AA082	(6) AA44AA104		
75	SHOE RETAINER ASSEMBLY	17FA402103	17FA502103		
76	SHOE SET, THRUST BEARING	17FA402212	17FA502212		
CONTACT SEAL & BEARING GROUP					
77	WINDAGE BAFFLE	17SA32212	17FA502112		
78	RING ASSEMBLY (OIL COLLECTOR)	17SA32213	17MA41433		
79	GASKET	17M4211811A	->		
80	PIN, DOWEL	AK11AR062	->		
81	GASKET, PACKING GLAND	17FA5021082LA	->		
82	KEY, CONTACT RING	17M326901	->		
83	O-RING	KK71GW031	KK71GW035		
84	BEARING, DRIVE SHAFT	17FA4021283	17FA5021283		
85	RING, OUTER CARBON SEAL	17M423282	17M523272		
86	RETAINING RING	17M423202	17M523082		
87	GASKET, SPRAY HEADER	17M3264511A	->		
88	SPRING, SEAL GUIDE	17M426631	17M526691		
89	SHIM	17FA4021393	17FA5021253		
90	RETAINER, SHUT DOWN SEAL	17FA4021383	17FA5021263		
91	O-RING	KK71PR045	KK71GZ065		
92	KEY, INNER CARBON RING	17M426581	17M526681		
93	GUIDE RING ASSEMBLY	NOT SOLD AS ASSEMBLY	->		
94 N	GUIDE RING	17M422073	17M522103		
95 N	DIAPHRAGM	17M423532	17M523532		
96 N	INNER CARBON SEAL RING	17M423232	17M523072		
97	GASKET	17M426591A	->		
98	NUT, SPEED (TYPE "U")	AS41QF006	->		
99	CONTACT RING	17M422432	17M523052		
100	CONTACT SLEEVE	17FA4021323	17FA5021323		
101	SPRING, CONTACT SLEEVE	17M426621	17M526711		
102	PACKING GLAND	17FA4021403	17FA5021273		
103	KEY, ANTI-ROTATION	17FA4021282	17M526501		
104	O-RING	KK71GX033	KK71GX038		
105	SHAFT SLEEVE	17M422442	17M523182		
106	SHAFT NUT	17M422452	17M423312		
107	LUBE TUBE & HEADER ASY	17M42852	17FA502133		
108	SNAP RING	17M426961	17M526641		
109	STATIC SEAL GUIDE VANE & BLADE RING	KK73GV010	->		
110	VANE DRIVE ARRANGEMENT (PNEUMATIC)	NSS	->		
111	PNEUMATIC PRESS SWITCH	HK02CE014	->		
112A	ACTUATOR (ELECTRIC DRIVE)	17FA4122174	->		
112B	ACTUATOR (TURBINE DRIVE)	17FA4022174	->		
113	CONNECTOR BLOCK	17FA4021162	->		
114	PIN, CLEVIS	AK16AA175	->		
115	BRACKET	17FA4021172	->		
116	THREADED ROD	17FA4021192	->		
117	ROD END BEARING	KT86UC020	->		
118A	CRANK ARM (ALL GEAR SIZES)	17FA4021182	X		
118B	CRANK ARM (A, B, D & T) (W/T < 5800 RPM)	X	17FA502332		
118C	CRANK ARM (C & T) (W/T > 5800 RPM)	X	17FA512332		
119	SPEED CONTROL VALVE	17FA5021882	->		
120	GUIDE VANE ASY (ELECTRONIC CNTRLS)	NSS	->		
121	MOTOR	HF268B061	->		

PARTS LIST CATALOG

PARTS LIST PAGE: 003

CATALOG NO.: RCD-3517-031 REV.
SUPERSEDES : 551-705 & 715 REV.

NOTE: SEE "CATALOG NOTES" ON LAST PAGE FOR EXPLANATION OF SYMBOLISM.



OPEN DRIVE CENTRIFUGAL
LIQUID CHILLER

17FA

SIZE: 004 005
SERIES: 0

ITM	PART DESCRIPTION	17FA004	17FA005		
		ALL VOLTAGES	ALL VOLTAGES		
GUIDE VANE & BLADE RING					
122	POTENTIOMETER	HT24AV120	->		
123A	CRANK ARM (UPPER) (CAST)	19D212152	->		
123B	CRANK ARM (UPPER) (STEEL)	19DM2121312	->		
123C	CRANK ARM (LOWER) (CAST)	19D232152	->		
123D	CRANK ARM (LOWER) (STEEL)	19DM2121322	->		
124	SET SCREW 5/16	(4) AA12AA196	(4) ->		
125	LINKAGE CONNECTOR	HF91BB115	->		
126	PUSH ROD	19EA411331	->		
127	BUSHING (7/8 DIA,INTERNAL SPLINE)	19EB4021042	->		
128	ROLL PIN	AX14CA044	->		
129	KEY	19D211391	->		
130	"V" RING ASSEMBLY (PRESSURE)	KK71HT016	->		
131	"V" RING ASSEMBLY (VACUUM)	KK71HT014	->		
132	SEAL HOUSING	19EA411022	->		
133	GASKET	19EA411021A	->		
134	SEAL RETAINER	19EA421042	->		
135	BEARING HOUSING	19EA411032	->		
136	BUSHING	KT53XL093	->		
137	HEX HEAD CAP SCREW	(2) AA06GR237	(2) ->		
138	PELLET	19EA411031	->		
139	WASHER	AU51YA391	->		
140	DRIVE PULLEY SHAFT	19EA431052	19EA531052		
141	MOTOR,ACTUATOR (CHAIN DRIVE)	X	19EB511123		
	INCLUDES: ITEMS 142.				
142	POTENTIOMETER (CHAIN DRIVE)	X	HT24AZ120		
143	SET SCREW	X	(2) AE12AA196		
144A	SPROCKET (A,B,D & T) (W/T < 5800 RPM)	X	17FA5021692		
144B	SPROCKET (C & T) (W/T > 5800 RPM)	X	17FA5221692		
145	CHAIN	X	19FA660016		
146A	SPROCKET,A,B,D & (T W/RPM< 5800)GEARS	X	17FA5121543		
146B	SPROCKET,C & (T W/RPM> 5800)GEARS	X	17FA5121593		
147	KEY (CHAIN DRIVE)	X	17FA5021782		
148	SPROCKET HUB (CHAIN DRIVE)	X	17FA5021583		
149AN	GUIDE VANE ASSEMBLY (A2 SHROUD)	19FA402263	X		
149BN	GUIDE VANE ASSEMBLY (A3 SHROUD)	19EA43467	19EA53467		
149CN	GUIDE VANE ASSEMBLY (A4 SHROUD)	19EA45467	19EA55467		
149DN	GUIDE VANE ASSEMBLY (A5 SHROUD)	19EA47467	19EA57467		
149EN	GUIDE VANE ASSEMBLY (A6 SHROUD)	19EA49467	19EA59467		
	INCLUDES: ITEMS 152-155.				
150	CABLE ASSEMBLY	19EA43102	19EA51102		
151	PRE-WHIRL BLADE PACKAGE	19EA660016	19EA660017		
	INCLUDES: ITEMS 152-155.				
152 N	BLADE,PREWHIRL	19EA42418	19EA52418		
153	BLADE PULLEY	19EA412142	19EA512142		
154	CAPSCREW,HEXHEAD	AA13BR294	AA13BR295		
155	WASHER	19EA412592	->		
156	BUSHING,PRE-WHIRL BLADE	(14) KT53XL093	(14) KT53XL102		
157	BUSHING,IDLER PULLEY	(7) KT53XL055	(7) KT53XL065		
158	RING,RETAINER	(14) AU48AR061	(14) AU48AR062		
159	PIN,IDLER PULLEY	(7) 19EA431001	(7) 19EA512022		
160	IDLER PULLEY	(7) 19D211252	(7) 19C476131		
161	DRIVE PULLEY	19EA411003	19EA511003		
162	WASHER,THRUST	(7) AU02AA332	(7) ->		

PARTS LIST CATALOG

PARTS LIST PAGE: 004

CATALOG NO.: RCD-3517-031 REV.
SUPERSEDES: 551-705 & 715 REV.

NOTE: SEE "CATALOG NOTES" ON LAST PAGE FOR EXPLANATION OF SYMBOLISM.



OPEN DRIVE CENTRIFUGAL LIQUID CHILLER

ITM	PART DESCRIPTION	17FA004	17FA005		
		ALL VOLTAGES	ALL VOLTAGES		
LUBRICATION PACKAGE					
163	COVER,ELECTRICAL BOX	02EX55004301	->		
164	CHECK VALVE	EC33BC331	EC33BC391		
165	BALL VALVE	EP12BH331	EP71CQ421		
166	TERMINALS (BRG TEMP/SHAFT MOVEMENT)	(4) HY85FP041	(4) ->		
167	SIGHT GLASS	(2) KM36BQ199	->		
168	TEMPERATURE GAUGE	KM14BC222	->		
169	TEMP SWITCH,OIL HEATER	HHI6NA105	->		
170	PILOT LIGHT,OIL HEATER	HY19AD026	->		
171	OIL HEATER	17FA4021363	->		
172	GASKET,OIL HEATER (INSIDE)	(2) 17FA680001	(2) ->		
173	COVER,CRANKCASE HEATER BOX	02EX55003101	->		
174	FILTER ASSEMBLY	19FA660031	(2) ->		
INCLUDES: ITEMS 175-179.					
175	FILTER GUIDE ASY	17FA402372	(2) ->		
176	FILTER CARTRIDGE	(2) 17S40001	(4) ->		
177	STOPPER ASY	19EA41512	(2) ->		
178	SPRING,COMPRESSION	17FA4021992	(2) ->		
179	FILTER HOUSING	KH33QA102	(2) ->		
180	VALVE,CHARGING	7792B	->		
181N	FLANGE,ADAPTER 1 1/8" ODS	19EA416732	->		
182N	FLANGE,ADAPTER 1 1/8" ODT	(3) DK24CA712	(3) ->		
183	OIL COOLER	17DA712012	17EA9021723		
184	GASKET,OIL COOLER	19FA680004	19FA680005		
185	SOLENOID VALVE (OIL COOLER)	EF23CH301	->		
186	VALVE,PLUG 1" (OIL COOLER)	EV01CZ305	->		
187	RUBBER STRTP SEAL LEAKAGE ASSEMBLY	(4) 19FF5021222	(4) ->		
188A	SEAL LEAKAGE PUMP ASY (60HZ)	17CA61324	->		
188B	SEAL LEAKAGE PUMP ASY (50HZ)	17CA61334	->		
INCLUDES: ITEMS 189-194.					
189	PUMP	KK21RA001	->		
190	MICRO SWITCH	HR68TD015	->		
191	FLOAT BALL	17M427011	->		
192A	MOTOR (60HZ)	HC40UE115	->		
192B	MOTOR (50HZ)	HC40UE116	->		
193	ARM ASY,FLOAT	17M32992	->		
194	VALVE,CHECK	17M427051	->		
195	GASKET,SEAL LEAK PUMP LUBRICATION PACKAGE	17M4222321A	->		
196	CHECK VALVE OIL PUMP & MOTOR ASSEMBLY	EC33BC181	->		
197AN	OIL PUMP/MTR (200/208-60;220/240-60)	17FA1012221	->		
197BN	OIL PUMP/MTR (440/480-60;380/415-50)	17FA1012222	->		
197C	OIL PUMP/MTR (550/660-60)	17FA502244	->		
INCLUDES: ITEMS 198-215.					
NOTE: THERE WERE (3) POSSIBLE OIL PUMP ASSEMBLY VARIATIONS USED ON THESE UNITS.AFTER DETERMINING WHICH DESIGN YOU HAVE YOU CAN SELECT THE REQUIRED SERVICE PARTS BY THE DESIGN NUMBER LISTED FOLLOWING WERE USED ON ALL (3) DESIGNS. REFER TO SERVICE BULLETIN C9402 IF A COMPLETE NEW OIL PUMP IS REQUIRED.					
198	TERMINAL PKG	19DA660003	->		
NOTE: TERMINAL PACKAGE TO BE USED ON MACHINES SHIPPED PRIOR TO 10/77.					
199	HEXHEAD CAPSCREW	AA44AA203	->		
200A	O-RING (DESIGN 1)	KK71GZ085	->		

PARTS LIST CATALOG

CATALOG NO.: RCD-3517-031 REV.
SUPERSEDES : 551-705 & 715 REV.

NOTE: SEE "CATALOG NOTES" ON LAST PAGE FOR EXPLANATION OF SYMBOLISM.



OPEN DRIVE CENTRIFUGAL
LIQUID CHILLER

17FA

SIZE: 004 005
SERIES: 0

ITM	PART DESCRIPTION	17FA004	17FA005		
		ALL VOLTAGES	ALL VOLTAGES		
OIL PUMP & MOTOR ASSEMBLY					
200B	O-RING (DESIGN 2,3)	KK71GZ087	->		
201	CLAMPING RING	19D211011	->		
202A	SHAFT,OIL PUMP (DESIGN 3)	17FA4221023	->		
NOTE: IF ORDERING SHAFT FOR DESIGNS 1 & 2 FOR THE FIRST TIME A NEW OIL PUMP COVER AND OIL PUMP HOUSING MUST ALSO BE ORDERED.					
202B	SHAFT,OIL PUMP (DESIGN 1)	NLA	->		
202C	SHAFT,OIL PUMP (DESIGN 2)	NLA	->		
203	BUSHING,SHAFT	19D211011	->		
204	O-RING,MOTOR COVER	KK71GZ065	->		
205	NEEDLE BEARING	KT55ZU100	->		
206A	COVER,OIL PUMP (DESIGN 3)	17FA4121603	->		
206B	COVER,OIL PUMP (DESIGN 1,2)	NLA	->		
207 N	COVER PLATE,BEARING(DESIGN 2 ONLY)	NLA	->		
208	DOWEL PIN	(2) AX11AR172	(2) ->		
209	VANE,PUMP	(4) 17FA4021022	(4) ->		
210A	OIL PUMP HOUSING (DESIGN 3)	17FA4222684	->		
210B	OIL PUMP HOUSING (DESIGN 1,2)	NLA	->		
211	DOWEL PIN	(2) AX11AR168	(2) ->		
212	PISTON,RELIEF VALVE	17FA4021013	->		
213	SPRING,RELIEF VALVE	17FA4121002	->		
214	O-RING,RELIEF VALVE HOUSING	KK71GZ025	->		
215	SCREW,ROTOR LOCKING	AE17AR166	->		
SENSOR MODULE CONTROLS (32SH)					
216	CONTROL ASY,PNEUMATIC	17FA116114 (NLA)	->		
INCLUDES: ITEMS 217-232.					
217	LOCK,CAM W/KEYS	KA19HL010	->		
218	GAUGE,PRESSURE (COND & COOL)	(2) KM03AF362	(2) ->		
219	GAUGE,OIL DIFFERENTIAL	KM05BN220	->		
220	SWITCH,LOW OIL PRESSURE	HK06CB402	->		
221	SWITCH,COND. HI-PRESSURE CUTOUT	HK01UA183	->		
222	TERMINAL BLOCK	HY84EG002	->		
223A	ELAPSE TIME INDICATOR (60HZ)	19EA660035	->		
223B	ELAPSE TIME INDICATOR (50HZ)	HK28DG116	->		
224	TERMINAL BLOCK	HY84EF060	->		
225	SWITCH,PUSH BUTTON (ON/STOP)	HR52ZD040	->		
226	SWITCH,PUSH BUTTON (START/OIL PUMP)	(2) HR54ZA020	(2) ->		
227	LIGHT,INDICATOR (PWR/SAFETY/LOAD/P)	(4) HY19MM020	(4) ->		
228	MODULE,CONTROL	(2) HN65BJ090	(2) ->		
229	TRANSDUCER	HK05GG001	->		
230	CONTROLLER,LOAD LIMITING	HK30JG010	->		
231	SELECTOR RELAY,LOW PRESSURE	HN70TZ069	->		
232	MODULE ASY,RELAY (DESIGN 2)	32SM400694	->		
INCLUDES: ITEMS 233-239.					
233	LIGHT ASY,INDICATING (BRG & MTR)	(2) 32SM400702	(2) ->		
234	TIMER,ELECTRICAL SEQUENCE	HK25ZD030	->		
235	RELAY (KM,KB,K3)	(3) HN61KL615	(3) ->		
236	RELAY (K1)	HN61KL615	->		
237	RELAY (K2)	HN61KL616	->		
238	FUSE HOLDER	HTA-DD-00	->		
239	FUSE (3 AMP)	AGC3	->		
240	MODULE ASY,CONTROL (DESIGN 1)	32SM400494(SEE NOTE)	->		
NOTE: RELAY MODULE ASY DESIGN 1 IS NO LONGER AVAILABLE. FOR NEW RELAY MODULE ASY SEE DESIGN 2. WHEN CONVERTING FROM DESIGN 1 TO DESIGN 2 USE KIT NUMBER 32SM660004.					

PARTS LIST CATALOG

PARTS LIST PAGE: 006

CATALOG NO.: RCD-3517-031 REV.
SUPERSEDES : 551-705 & 715 REV.

NOTE: SEE "CATALOG NOTES" ON LAST PAGE FOR EXPLANATION OF SYMBOLISM.



OPEN DRIVE CENTRIFUGAL LIQUID CHILLER

ITM	PART DESCRIPTION	17FA004		17FA005	
		ALL VOLTAGES		ALL VOLTAGES	
SENSOR MODULE CONTROLS (32SM)					
INCLUDES: ITEMS 241-247.					
241	CIRCUIT BREAKER	(2)	HH83XH110	(2)	->
242	RESISTOR		HT21AU100		->
243	RELAY, TIME DELAY		19EA41611		->
244	TIMER, PROGRAM		HK25BB020		->
245	RELAY	(5)	HN61KL616	(5)	->
246	FUSE HOLDER		AGC3		->
247	FUSE (3 AMP)		HTB84I		->
248	MODULE ASY, CONTROL (TURBINE DRIVE)		17FA106113		->
INCLUDES: ITEMS 249-255.					
249	RELAY (KB)		HN61KL616		->
250	RELAY (K1 & K2)	(2)	HN61KL615	(2)	->
251	RECEPTACLE, RELAY	(3)	HY07RB008	(3)	->
252	CIRCUIT BREAKER		HH83XH110		->
253	RESISTOR, FIXED (100 OHM)		HT21AU100		->
254	FUSE HOLDER		HKP-HH		->
255	FUSE (3 AMP)		AGC3		->
256	RELAY, TIME DELAY (TURBINE DRIVE)		HN67BQ010		->
257	SWITCH, TOGGLE (TURBINE DRIVE)		HR53ZA035		->
258	TRANSFORMER (OLD STYLE PNEU.)	(2)	HT01CN001	(2)	->
259	SWITCH, PUSH BUTTON (OLD STYLE PNEU)		HR54ZA001		->
260	LIGHT, INDICATOR (OLD STYLE PNEU.)		HN65BJ003		->
261	CONTROL ASY, ELECTRONIC		19EA416114 (NLA)		->
INCLUDES: ITEMS 262-276.					
262	LOCK, CAM W/KEYS		KA19NL010		->
263	GAUGE, PRESSURE (COND & COOL)	(2)	KM03AF362	(2)	->
264	GAUGE, OIL DIFFERENTIAL		KM05BW220		->
265	SWITCH, LOW OIL PRESSURE		HK06CB402		->
266	SWITCH, COND. HI-PRESSURE CUTOUT		HK01UA183		->
267	TERMINAL BLOCK		HY84EF060		->
268A	ELAPSE TIME INDICATOR (60HZ)		19EA660035		->
268B	ELAPSE TIME INDICATOR (50HZ)		HK28DG116		->
269	MODULE, CAPACITY CONTROL		32SM500704		->
270	TERMINAL BLOCK		HY84EG002		->
271	SWITCH, PUSH BUTTON (ON/STOP)		HR52ZD040		->
272	SWITCH, PUSH BUTTON (START/OIL PUMP)	(2)	HR52ZA020	(2)	->
273	LIGHT, INDICATOR (PWR/SAFETY/LOAD/P)	(4)	HY19MM020	(4)	->
274	MODULE, CONTROL	(2)	HN65BJ090	(2)	->
275	CYCLE TIMER		HK25DB004		->
276	MODULE ASY, RELAY (DESIGN 2)		32SM400694		->
INCLUDES: ITEMS 277-283.					
277	LIGHT ASY, INDICATING (BRG & MTR)	(2)	32SM400702	(2)	->
278	TIMER, ELECTRICAL SEQUENCE		HK25ZD030		->
279	RELAY (KM, KB, K3)	(3)	HN61KL615	(3)	->
280	RELAY (K1)		HN61KL615		->
281	RELAY (K2)		HN61KL616		->
282	FUSE HOLDER		HTA-DD-00		->
283	FUSE (3 AMP)		AGC3		->
284	MODULE ASY, CONTROL (DESIGN 1)		32SM400494 (SEE NOTE)		->
NOTE: RELAY MODULE ASY DESIGN 1 IS NO LONGER AVAILABLE. FOR NEW RELAY					
MODULE ASY SEE DESIGN 2. WHEN CONVERTING FROM DESIGN 1 TO					
DESIGN 2 USE KIT NUMBER 32SM660004.					
INCLUDES: ITEMS 285-291.					
285	CIRCUIT BREAKER	(2)	HH83XH110	(2)	->

PARTS LIST CATALOG

CATALOG NO.: RCD-3517-031 REV.
SUPERSEDES : 551-705 & 715 REV.

NOTE: SEE "CATALOG NOTES" ON LAST PAGE FOR EXPLANATION OF SYMBOLISM.



OPEN DRIVE CENTRIFUGAL
LIQUID CHILLER

17FA

SIZE: 004 005
SERIES: 0

ITM	PART DESCRIPTION	17FA004	17FA005		
		ALL VOLTAGES	ALL VOLTAGES		
SENSOR MODULE CONTROLS (32SM)					
286	RESISTER	HT21AU100	->		
287	RELAY, TIME DELAY	19EA41611	->		
288	TIMER, PROGRAM	HK25BB020	->		
289	RELAY	(5) HN61KL616	(5) ->		
290	FUSE HOLDER	AGC3	->		
291	FUSE (3 AMP)	HTB84I	->		
292	TRANSFORMER (OLD STYLE ELEC.)	(2) HT01B115	(2) ->		
293	SWITCH, LOW PRESSURE (OLD STYLE ELE)	HK01CB042	->		
MICROPROCESSOR CONTROLS (32MP)					
294A	CONTROL PANEL REPLACEMENT (60HZ)	19EB660003	->		
	NOTE: FACTORY STYLE CONTROL PANEL WITH ESP11. FOR USE IN 60HZ, HIGH PRESSURE MACHINES. DOES NOT INCLUDE SENSORS OR WELLS.				
294B	CONTROL PANEL REPLACEMENT (60HZ)	19EB660001	->		
	NOTE: FACTORY STYLE CONTROL PANEL WITHOUT ESP11. FOR USE IN 60HZ, HIGH PRESSURE MACHINES. DOES NOT INCLUDE SENSOR OR WELLS.				
294C	CONTROL PANEL REPLACEMENT (50HZ)	19EB660004	->		
	NOTE: FACTORY STYLE CONTROL PANEL WITH ESP11. FOR USE IN 50HZ, HIGH PRESSURE MACHINES. DOES NOT INCLUDE SENSORS OR WELLS.				
294D	CONTROL PANEL REPLACEMENT (50HZ)	19EB660002	->		
	NOTE: FACTORY STYLE CONTROL PANEL WITHOUT ESP11. FOR USE IN 50HZ, HIGH PRESSURE MACHINES. DOES NOT INCLUDE SENSORS OR WELLS.				
	INCLUDES: ITEMS 295-329.				
295	PROCESSOR BOARD PANEL	32MP400974	->		
296	HOUSING, 16 POSITION (1J1)	HY07MP216	->		
297	HOUSING, 14 POSITION (1J2)	HY07MP214	->		
298	HOUSING, 3 POSITION (1J5 & 6J1)	(2) HY07MP203	(2) ->		
299	HOUSING, 6 POSITION (1J4)	HY07MP206	->		
300	KEYING PLUG	(9) HY07MQ004	(9) ->		
301	INPUT/OUTPUT BOARD ASY.	HK35EZ002	->		
302	HOUSING, 10 POSITION (2J1 & 2J2)	(2) HY07MP210	(2) ->		
303	HOUSING, 13 POSITION (2J4)	HY07MP213	->		
304	HOUSING, 12 POSITION (2J5)	HY07MP212	->		
305	HOUSING, 4 POSITION (2J6 & 6J2)	(2) HY07MP204	(2) ->		
306	BASIC SET POINT & DISPLAY BOARD ASY	HK35EZ003	->		
307	GAUGE, PRESSURE (COOLER/CONDENSER)	(2) KM03AF363	(2) ->		
308	GAUGE & SWITCH, PRESSURE (DIL DIFF.)	KM05BW222	->		
309	LIGHT (AMBER)	HY19UC019	->		
310	LIGHT (RED)	HY19UC014	->		
311	LOCK, CAM	KA19NL010	->		
312	FUSE BLOCK (1 POS.)	S-8202-01	->		
313 N	FUSE BLOCK (3 POS.)	HY11UM003	->		
314	FUSE BLOCK (7 POS.)	HY11UM007	->		
315	FUSE (0.1 AMP) (F15, F16, F17)	(3) MGB1/8	(3) ->		
316	FUSE (0.75 AMP) (F18, F19)	(2) MDL3/4	(2) ->		
317 N	FUSE (1.0 AMP)	AGC1	->		
318	FUSE (1.0 AMP SLO-BLO) (F14)	MDL1	->		
319	FUSE (3.0 AMP SLO-BLO) (F20, F21)	MDL3	->		
320	PRESSURE SWITCH, MANUAL RESET (COND)	HK01UA185	->		
321	TRANSFORMER	HT01BE115	->		
322A	INDICATOR, ELAPSE TIME (60HZ)	HK28DG115	->		
322B	INDICATOR, ELAPSE TIME (50HZ)	HK28DG116	->		
323	CAPACITOR ASY	19EB516222	->		
324	TERMINAL BLOCK (10 POS.)	HY84EG010	->		
325	TERMINAL BLOCK (17 POS.)	HY84EF018	->		

PARTS LIST CATALOG

PARTS LIST PAGE: 008

CATALOG NO.: RCD-3517-031 REV.
SUPERSEDES: 551-705 & 715 REV.

NOTE: SEE "CATALOG NOTES" ON LAST PAGE FOR EXPLANATION OF SYMBOLISM.



OPEN DRIVE CENTRIFUGAL
LIQUID CHILLER

17FA

SIZE: 004 005
SERIES: 0

ITM	PART DESCRIPTION	17FA004	17FA005		
		ALL VOLTAGES	ALL VOLTAGES		
MICROPROCESSOR CONTROLS (32MP)					
326	TERMINAL BLOCK (22 POS.)	HY84E6022	->		
327	MEMORY EXPANSION PCB ASY.	32MP400954	->		
328	EXPANDED SERVICE PANEL ASY. (ESP)	32MP400934	->		
329	RESISTER ASY	19FB416182	->		
PIC CONTROLS					
330	PIC CONTROLS RETROFIT KIT	17EX660001	->		
	INCLUDES: ITEMS 331-354.				
331	CONTROL PANEL ASSEMBLY	17EX54007302	->		
	INCLUDES: ITEMS 332-354.				
332	DOOR PANEL ASSEMBLY	19EX04000501	->		
333	CAM LOCK (W/KEYS)	KA19NL010	->		
334	LID ASY (PIC CONTROL PANEL)	CES0130036	->		
335	LIGHT ASY (FOR LID)(PSN3596)	HY19AD005	->		
336	POWER SUPPLY (5V DC)(PSN3596)	HK35AA007	->		
337	RELAY BOARD (6 PAC)	HK35AA003	->		
338	MODULE ASY (PSIO)	17EX54007903	->		
339	CIRCUIT BREAKER	(4) HH83ZB001	(4) ->		
340	RUBBER BUMPER	(2) KA58MR001	(2) ->		
341	WIRE HARNESS (15 WIRE)	19XB04002701	->		
342 N	WIRE HARNESS (6 WIRE)	19XT04000801	->		
343 N	RESISTOR WIRE ASY	19XB04003301	->		
	INCLUDES: ITEM 344.				
344 N	RESISTOR (10K,1/2 W)	(3) HT21AZ110	(3) ->		
345 N	TRANSDUCER CABLE ASY (285")	19XB660003	->		
	INCLUDES: ITEMS 346-347.				
346	CABLE CONNECTOR	30GT510011	->		
347	PIN TERMINAL	30GT510010	->		
348	SENSOR CABLE ASY. (COMPR DISCH)	19EX04001301	->		
349	SENSOR CABLE ASY (OIL SUMP TEMP)	19EX04001302	->		
350	CONNECTOR PLUG(3PIN)(PSIO)TOP SID	HY84EE003	->		
351	CONNECTOR PLUG(4PIN)(PSIO)TOP SID	(2) HY84EE004	(2) ->		
352	CONNECTOR PLUG(18 PIN)(PSIO)	(3) HY84EE021	(3) ->		
353	CONNECTOR PLUG(6 PIN)(OPTIONS ONL)	HY06MP106	->		
354	MODULE (INPUT) (OPTIONS ONLY)	HK50AA006	->		
355	POWER PANEL ASSEMBLY (PIC I)	19EX54000302	->		
	INCLUDES: ITEMS 356-365.				
356	COVER,POWER PANEL (W/LABELS)	19EX04000401	->		
357	TRANSFORMER (T2)	HT01AW235	->		
358	TRANSFORMER (T1 & T4)	(2) HT01BD113	(2) ->		
359	CONTACTOR (OIL HEATER/OIL PUMP)	(2) HN53CC024	(2) ->		
360	PRESSURE SWITCH,DIFF.	HK06UB012	->		
361	BARRIER,LOW VOLTAGE	19XB05000401	->		
362	TERMINAL BLOCK	19XB05002301	->		
363	SWITCH,VOLTAGE SELECTOR	HR67ZZ125	->		
364	GROUND,LUG	HY90HR001	->		
365	RELAY,OIL AUX.	HN61PK052	->		
366	ACTUATOR,MOTDR (GUIDE VANE)	HF26BB025	->		
367	SENSOR,TEMPERATURE	(6) HH79NZ047	(6) ->		
368	TRANSDUCER,PRESSURE	(3) HK05YZ002	(3) ->		
369 N	SENSOR,THRUST	HH79NZ073	->		
370 N	SWITCH,HIGH PRESSURE	19EX04002601	->		
371 N	WELL,SENSOR	(4) AT-225	(4) ->		
372 N	SENSOR,MOTDR	(2) 32MP500354	(2) ->		
373 N	VALVE ASSEMBLY,SCHRADER	(4) 06DA403844	(4) ->		

PARTS LIST CATALOG

PARTS LIST PAGE: 009

CATALOG NO.: RCD-3517-031 REV.
SUPERSEDES : 551-705 & 715 REV.

NOTE: SEE "CATALOG NOTES" ON LAST PAGE FOR EXPLANATION OF SYMBOLISM.



OPEN DRIVE CENTRIFUGAL
LIQUID CHILLER

17FA

SIZE: 004 005
SERIES: 0

ITM	PART DESCRIPTION	17FA004		17FA005	
		ALL VOLTAGES		ALL VOLTAGES	
PIC CONTROLS					
374 N	MODULE PANEL STARTER MANAGEMENT CONTROL GROUP	F950705-2	->		
375	SAFETY PANEL ASSEMBLY INCLUDES: ITEMS 376-379.	32GA900001	->		
376	SWITCH,PUSH BUTTON (WHITE)	(7) HR54ZA020	(7) ->		
377	SWITCH,PUSH BUTTON (RED) (RESET)	HR54ZA040	->		
378	RELAY	(11) HN61KL616	(11) ->		
379 N	RECEPTACLE,RELAY	(11) HY07RB008	(11) ->		
380	LEAD-LAG CONTROL ASSEMBLY INCLUDES: ITEMS 381-386.	32SM900001	->		
381	SWITCH	(3) HR54ZA001	(3) ->		
382	POTENTIOMETER	32SM500623	->		
383	KNOB	KA21RB156	->		
384	SWITCH,SELECTOR	32SM500843	->		
385	RELAY	HN67SK007	->		
386	RELAY	(4) HN61KL616	(4) ->		
MACHINE ARRANGEMENT & PIPING					
387	FILTER ASSEMBLY (COOLER) NOTE: FILTER ASSEMBLY REPLACES REFRIGERANT STRAINER USED PREVIOUSLY. INCLUDES: ITEM 388.	KH33QA182	->		
388 N	FILER ELEMENT	KH09AZ001	->		
389 N	RELIEF VALVE 1/2" (COOLER)	EB51F2181	->		
390 N	RELIEF VALVE 1" (COOLER)	EB51FZ301	->		
391	TEMP PROBE,CHILLED WATER(ELECTRONIC) INCLUDES: ITEM 392.	32SM500234	->		
392	PROBE	32SM680001	->		
393	THERMOSTAT,PNEUMATIC (PNEUMATIC)	HL21JE021	->		
394	TEMPERATURE SWITCH,CHILLED WATER	HH24ZC039	->		
395	VALVE	(2) EP10BA181	(2) ->		
396	DAMPER VALVE 4"	19FA501123	->		
397 N	DAMPER VALVE PACKING & O-RING PKG NOTE: USED WITH DAMPER VALVE,PART NUMBER 19FA501123.	19FA660027	->		
398	ANGLE VALVE	(2) 7792-B	(2) ->		
399	BALL VALVE 1"	(2) EP71CQ310	(2) ->		
400	RELIEF VALVE	(2) EB51FZ310	(2) ->		
401	TEMPERATURE SWITCH,I0-REFRIG	HH24ZB033	->		
402	THERMOWELL	HL79Z2002	->		
403	THERMOWELL	17FA111102	->		
404A	GSKT,COOL W/B(FR#10-12 & 40-42;ALL P	(2) 17FA4231263	(2) ->		
404B	GSKT,COOL W/B(FR#14-16 & 44-46;ALL P	(2) 17FA4631263	(2) ->		
404C	GSKT,COOL W/B(FR#18-19 & 48-49;ALL P	(2) 17FA4931263	(2) ->		
404D	GSKT,COOL W/B(FR#20-22 & 50-52;ALL P	(2) 17FA5231263	(2) ->		
404E	GSKT,COOL W/B(FR#24-26 & 54-56;ALL P	(2) 17FA5631263	(2) ->		
404F	GSKT,COOL W/B(FR#27-29 & 57-59;ALL P	(2) 17FA5931263	(2) ->		
405	SEALING STRIP,DIV PLT(20'CUT TO FIT)	19XB680001	->		
406A	GSKT,COND W/B(FR#10-12 & 40-44;ALL P	17FA4241133	->		
406B	GSKT,COND W/B(FR#14-16 & 45-46;ALL P	17FA4641133	->		
406C	GSKT,COND W/B(FR#18-19 & 48-49;ALL P	17FA4941133	->		
406D	GSKT,COND W/B(FR#20-22 & 50-54;ALL P	17FA5241133	->		
406E	GSKT,COND W/B(FR#24-26 & 55-57;ALL P	17FA5641133	->		
406F	GSKT,COND W/B(FR#27-28 & 58-59;ALL P	17FA5941133	->		
407	COOLER TUBE (SEE NOTE)	CONTACT CARRIER-RCD	->		
408	CONDENSER TUBE (SEE NOTE)	CONTACT CARRIER-RCD	->		
NOTE: TO RECEIVE THE PROPER TUBE FOR YOUR PARTICULAR MACHINE YOU MUST					

PARTS LIST CATALOG

PARTS LIST PAGE: 010

CATALOG NO.: RCD-3517-031 REV.
SUPERSEDES : 551-705 & 715 REV.

NOTE: SEE "CATALOG NOTES" ON LAST PAGE FOR EXPLANATION OF SYMBOLISM.



OPEN DRIVE CENTRIFUGAL
LIQUID CHILLER

17FA

SIZE: 004 005
SERIES: 0

ITM	PART DESCRIPTION	17FA004	17FA005
		ALL VOLTAGES	ALL VOLTAGES
MACHINE ARRANGEMENT & PIPING			
	CONTACT YOUR CARRIER REPRESENTATIVE WITH THE SERIAL NUMBER FOR YOUR MACHINE.		
409	GASKET PACKAGE (SEE NOTE FOR USAGE)	19FA660015	X
	COMPRESSOR TO MACHINE CONNECTIONS GASKET PACKAGE, USED FOR MACHINES WITH A FRAME 10-12 OR 40-42 COOLER AND FRAME 10-16 OR 40-46 CONDENSER.		
	INCLUDES: ITEMS 410-415.		
410	GASKET,SUCTION LINE (COMPR. END)	17FA1011052LA	X
411	GASKET,SUCTION LINE (COOLER END)	17FA1011052LA	X
412	GASKET,ECONOMIZER VALVE (2)	CT99GX6011A	X
413	GASKET,COMPRESSOR DISCHARGE LINE	17FA1011082LA	X
414	GASKET,ECONOMIZER SUCTION	17FA1011062LA	X
415	GASKET,INSPECTION COVER	17FA4021303LA	X
416	GASKET PACKAGE (SEE NOTE FOR USAGE)	19FA660011	X
	COMPRESSOR TO MACHINE CONNECTIONS GASKET PACKAGE, USED FOR MACHINES WITH A FRAME 14-19 OR 44-49 COOLER AND FRAME 10-22 OR 40-54 CONDENSER.		
	INCLUDES: ITEMS 417-422.		
417	GASKET,SUCTION LINE (COMPR. END)	17FA1011052LA	X
418	GASKET,SUCTION LINE (COOLER END)	19EA411432LA	X
419	GASKET,ECONOMIZER VALVE (2)	CT99GX6011A	X
420	GASKET,COMPRESSOR DISCHARGE LINE	17FA1011082LA	X
421	GASKET,ECONOMIZER SUCTION	17FA1011062LA	X
422	GASKET,INSPECTION COVER	17FA4021303LA	X
423	GASKET PACKAGE (SEE NOTE FOR USAGE)	19FA660012	X
	COMPRESSOR TO MACHINE CONNECTIONS GASKET PACKAGE, USED FOR MACHINES WITH A FRAME 20-22 OR 50-52 COOLER AND FRAME 18-26 OR 48-57 CONDENSER.		
	INCLUDES: ITEMS 424-429.		
424	GASKET,SUCTION LINE (COMPR. END)	17FA1011052LA	X
425	GASKET,SUCTION LINE (COOLER END)	19EA511432LA	X
426	GASKET,ECONOMIZER SUCTION	17FA1011062LA	X
427	GASKET,COMPRESSOR DISCHARGE LINE	17FA1011082LA	X
428	GASKET,ECONOMIZER VALVE (2)	CT99GX6011A	X
429	GASKET,INSPECTION COVER	17FA4021303LA	X
430	GASKET PACKAGE (SEE NOTE FOR USAGE)	X	19FA660013
	COMPRESSOR TO MACHINE CONNECTIONS GASKET PACKAGE, USED FOR MACHINES WITH A FRAME 20-22 OR 50-52 COOLER AND FRAME 18-26 OR 48-57 CONDENSER.		
	INCLUDES: ITEMS 431-436.		
431	GASKET,SUCTION LINE (COMPR. END)	X	19EA411432LA
432	GASKET,SUCTION LINE (COOLER END)	X	19EA511432LA
433	GASKET,ECONOMIZER SUCTION	X	17FA1011052LA
434	GASKET,COMPRESSOR DISCHARGE LINE	X	19EA411432LA
435	GASKET,ECONOMIZER VALVE	X	(2) CT99GX6011A
436	GASKET,INSPECTION COVER	X	17FA5021303LA
437	GASKET PACKAGE (SEE NOTE FOR USAGE)	X	19FA660014
	COMPRESSOR TO MACHINE CONNECTIONS GASKET PACKAGE, USED FOR MACHINES WITH A FRAME 24-29 OR 54-59 COOLER AND FRAME 20-29 OR 50-59 CONDENSER.		
	INCLUDES: ITEMS 438-444.		
438	GASKET,SUCTION LINE (COMPR. END)	X	19EA41143
439	GASKET,SUCTION LINE (COOLER END)	X	17FA2411052LA
440	GASKET,ECONOMIZER SUCTION	X	17FA1011052LA
441	GASKET,COMPRESSOR DISCHARGE LINE	X	19EA411432LA
442	GASKET,ECONOMIZER VALVE	X	(2) CT99GX6011A
443	GASKET,INSPECTION COVER	X	17FA5021303LA
444	GASKET,MOTOR DRAIN	X	CT99GY4011A

PARTS LIST CATALOG

PARTS LIST PAGE: 011

CATALOG NO. : RCD-3517-031 REV.
SUPERSEDES : 551-705 & 715 REV.

NOTE: SEE "CATALOG NOTES" ON LAST PAGE FOR EXPLANATION OF SYMBOLISM.



OPEN DRIVE CENTRIFUGAL
LIQUID CHILLER

17FA

SIZE: 004 005
SERIES: 0

ITM	PART DESCRIPTION	17FA004	17FA005		
		ALL VOLTAGES	ALL VOLTAGES		
ECONOMIZER GROUP					
445	GASKET,FLOAT CHAMBER	(2) 17FA10510231A	(2) ->		
446	GASKET,VALVE PLATE	(2) 17FA1051112	(2) ->		
447	GASKET,VALVE CHAMBER (HI-SIDE)	17FA1051073	->		
448A	ORIFICE,STRAINER ASY (1/8")	19EA41852	->		
448B	ORIFICE,STRAINER ASY (1/16")	17FA1051512	->		
449	SHAFT SEAL	17FA1051132	->		
450A	FLOAT VALVE ASY(HIGH SIDE)(SEE NOTE)	17FA105154	->		
	NOTE: LESS ARM AND BALL. USED ON CONDENSER FRAMES 10-19 & 40-50.				
450B	FLOAT VALVE ASY(HIGH SIDE)(SEE NOTE)	17FA115154	->		
	NOTE: LESS ARM AND BALL. USED ON CONDENSER FRAMES 20-26.				
450C	FLOAT VALVE ASY(HIGH SIDE)(SEE NOTE)	17FA125154	->		
	NOTE: LESS ARM AND BALL. USED ON CONDENSER FRAMES 27-29.				
451	BALL,FLOAT (8") (HI-SIDE)	EC28HZ243	->		
452	FLOAT ARM & BRACKET (HI-SIDE)	17FA115122	->		
453A	FLOAT VALVE ASY (LO-SIDE) (SEE NOTE)	17FA105144	->		
	NOTE: INCLUDES BALL AND ARM. USED ON CONDENSER FRAMES 10-19 & 40-59.				
453B	FLOAT VALVE ASY (LO-SIDE) (SEE NOTE)	17FA115144	->		
	NOTE: INCLUDES BALL AND ARM. USED ON CONDENSER FRAMES 20-22.				
453C	FLOAT VALVE ASY (LO-SIDE) (SEE NOTE)	17FA125144	->		
	NOTE: INCLUDES BALL AND ARM. USED ON CONDENSER FRAMES 24-29.				
454	FLOAT BALL & ARM ASY (LO-SIDE)	19FA660024	->		
455A	STRAINER RETAINER (SEE NOTE)	17FA105103	->		
	NOTE: USED ON CONDENSER FRAMES 10-19.				
455B	STRAINER RETAINER (SEE NOTE)	17FA525103	->		
	NOTE: USED ON CONDENSER FRAMES 20-59.				
456A	CONE STRAINER (SEE NOTE)	17FA1051083	->		
	NOTE: USED ON CONDENSER FRAMES 10-19.				
456B	CONE STRAINER (SEE NOTE)	17FA5251083	->		
	NOTE: USED ON CONDENSER FRAMES 20-59.				
PUMPDOWN ASSEMBLY					
457A	PUMPDOWN ASY. (208-3-60)	19EA411113	->		
457B	PUMPDOWN ASY. (230-3-60)	19EA421113	->		
457C	PUMPDOWN ASY. (400/460-3-50/60)	19EA431113	->		
457D	PUMPDOWN ASY. (575-3-60)	19EA461113	->		
	INCLUDES: ITEMS 458-513.				
458A	COMPRESSOR ASY. (208/230-3-60)	06DM8086GC3250	->		
458B	COMPRESSOR ASY. (400/460-3-50/60)	06DM8086GC3650	->		
458C	COMPRESSOR ASY. (575-3-60)	06DM8086GC3150	->		
459 N	GASKET SET	6D43172	->		
460 N	VALVE PLATE PACKAGE (1-13/16" BORE)	06DA660038	->		
461 N	VALVE PLATE ASY. (L.H. BANK)	06DA660038	->		
462 N	SUCTION VALVE	(2) 6D451072	(2) ->		
463 N	GASKET,VALVE PLATE	6D401073	->		
464 N	GASKET,CYLINDER HEAD	05GA502213	->		
465 N	SPRING,SUCTION VALVE POSITIONING	(2) 6D401021	(2) ->		
466 N	VALVE PLATE PACKAGE (2" BORE)	06DA660120	->		
	INCLUDES: ITEMS 467-475.				
467 N	VALVE PLATE ASY.	06DA604674	->		
468 N	GASKET,VALVE PLATE	05DA500153	->		
469 N	GASKET,CYLINDER HEAD (PLAIN)	05GA502213	->		
470 N	GASKET,CYLINDER HEAD (S.C.O.U.)	05GA502223	->		
471 N	SUCTION VALVE	(2) 06DA502903	(2) ->		
472 N	SPRING,SUCTION VALVE POSITIONING	(2) 6D401021	(2) ->		
473 N	GASKET,CYLINDER HEAD (CENTER BANK)	05GA502173	->		

PARTS LIST CATALOG

PARTS LIST PAGE: 012

CATALOG NO.: RCD-3517-031 REV.
SUPERSEDES: 551-705 & 715 REV.

NOTE: SEE "CATALOG NOTES" ON LAST PAGE FOR EXPLANATION OF SYMBOLISM.



OPEN DRIVE CENTRIFUGAL
LIQUID CHILLER

17FA

SIZE: 004 005
SERIES: 0

ITM	PART DESCRIPTION	17FA004	17FA005		
		ALL VOLTAGES	ALL VOLTAGES		
PUMPDOWN ASSEMBLY					
474 N	GASKET, VALVE PLATE (LESS 1 PORT)	06DA502923	->		
475 N	DOWEL PIN	7J16032	->		
476 N	PISTON & PIN PACKAGE	(2) 6D68962	(2) ->		
	INCLUDES: ITEMS 477-481.				
477 N	ECCENTRIC STRAP	(2) 5D401372	(2) ->		
478 N	COMPRESSION RING	(2) AU50CP355	(2) ->		
479 N	VALVE PLATE ASY.	06DA660120	->		
480 N	BEARING HEAD ASY.	06DA660060	->		
481 N	OIL FILTER ASY.	6D40103	->		
482	SERVICE VALVE PACKAGE (SUCTION)	5F20660002	->		
	INCLUDES: ITEMS 483-486.				
483	VALVE (5/8" ODS)	NOT SOLD SEPARATELY	->		
484	GASKET, SUCTION VALVE	6D231421	->		
485	BOLT, HEX. HEAD	NOT SOLD SEPARATELY	->		
486	BUSHING (5/8" X 1/2")	NOT SOLD SEPARATELY	->		
487	SERVICE VALVE PACKAGE (DISCHARGE)	06DA660060	->		
	INCLUDES: ITEMS 488-490.				
488	VALVE, (5/8" ODS)	NOT SOLD SEPARATELY	->		
489	GASKET, DISCHARGE VALVE	6D231421	->		
490	BOLT, HEX. HEAD	NOT SOLD SEPARATELY	->		
491	CONDENSER ASSEMBLY	6D21104	->		
	INCLUDES: ITEMS 492-493.				
492	TRY COCK ASSEMBLY	7F0132	->		
493	VALVE, LIQUID	EP12BH211	->		
494	COMPR. OVERLOAD (30A) (FURNAS-MAN. RESET)	HN68JX003	->		
495A	OVERLOAD HEATER (208V)	(3) HN71JC050	(3) ->		
495B	OVERLOAD HEATER (230V)	(3) HN71JC049	(3) ->		
495C	OVERLOAD HEATER (460V)	(3) HN71JC036	(3) ->		
495D	OVERLOAD HEATER (575V)	(3) HN71JC031	(3) ->		
496	CONTROL BOX COVER	07DA500002	->		
497	CONTROL BOX ASSEMBLY (R134A)	19FA41588	->		
	INCLUDES: ITEMS 498-504.				
498	TERMINAL BLOCK	HY84EGD17	->		
499	CONTACTOR	HN53CD115	->		
500	SWITCH, PRESSURE	HK01UA181	->		
501	SWITCH, TOGGLE	HR53ZA035	->		
502	FUSE HOLDER	HKP-HH	->		
503	FUSE (3 AMP)	AGC3	->		
504	GROMMET	KA56XM040	->		
505	SAFETY HEAD	EB51LR385	->		
506	OIL SEPERATOR	KH31LZ008	->		
507	GASKET, OIL SEPERATOR	KY31LY003LA	->		
508	VALVE, DIAPHRAM (1/2")	(4) A-14841	(4) ->		
509	VALVE, ANGLE	EP23LA211	->		
510	GASKET, CAPSCREW (5/16")	(4) AU51YA003	(4) ->		
511	GASKET, FLARE (1/2")	DD24FA151	->		
512	SPRING, COMPRESSOR MOUNTING	(4) 50K21231	(4) ->		
513	SPRING CUP, COMPRESSOR MOUNTING	(4) 50K41221	(4) ->		
PURGE ASSEMBLY					
514	DEHYDRATOR-PURGE ASY	17FA101704	->		
	INCLUDES: ITEMS 515-544.				
515 N	DRIFICE (.062) (PURGE PIPING)	19CB7211012	->		
516 N	STRAINER (PURGE PIPING)	(2) KH14BN115	(2) ->		
517 N	VALVE (1/2" ODS)	(2) EP10BA181	(2) ->		

PARTS LIST CATALOG

PARTS LIST PAGE: 013

CATALOG NO.: RCD-3517-031 REV.
SUPERSEDES: 551-705 & 715 REV.

NOTE: SEE "CATALOG NOTES" ON LAST PAGE FOR EXPLANATION OF SYMBOLISM.



OPEN DRIVE CENTRIFUGAL
LIQUID CHILLER

17FA

SIZE: 004 005
SERIES: 0

ITEM	PART DESCRIPTION	17FA004	17FA005		
		ALL VOLTAGES	ALL VOLTAGES		
PURGE ASSEMBLY					
518	GAUGE,PRESSURE	KM03AF280	->		
519	VALVE,ANGLE (DRAIN)	EP23LC090	->		
520	VALVE,ANGLE	EP20LA093	->		
521	DEHYDRATOR ASY (ORIGINAL DESIGN)	19EA41543	->		
	INCLUDES: ITEMS 522-532.				
522	COUPLING,V-BAND	CT28MP035	->		
523	GLAND,SIGHT GLASS	(2) TS380	(2) ->		
524	GASKET,SIGHT GLASS (OUTER)	(2) 5F201631	(2) ->		
525	SIGHT GLASS	(2) 19C356151	(2) ->		
526	GASKET,SIGHT GLASS (INNER)	(2) 19DK1191012	(2) ->		
527	O-RING	KK74ZW325	->		
528	VALVE,FLOAT	EC29WN211	->		
529	GASKET,RING	19DK119104233	->		
530	BALL,FLOAT	EC28QZ030	->		
531	ARM,FLOAT	19DA11501	->		
532	COVER (CASTING)	19DA115043	->		
533	DEHYDRATOR ASY (LATEST DESIGN)	19EF101183	->		
	INCLUDES: ITEMS 534-544.				
534	ARM,FLOAT	19DA11501	->		
535	O-RING	KK71PR040	->		
536	BALL,FLOAT	EC28QZ030	->		
537	VALVE,FLOAT	EC29WN211	->		
538	SIGHT GLASS	(2) 19C356151	(2) ->		
539	GASKET,SIGHT GLASS (INNER)	(2) 19DK1191012	(2) ->		
540	GASKET,SIGHT GLASS (OUTER)	(2) 19DK119100233	(2) ->		
541	GLAND,SIGHT GLASS	(2) TS380	(2) ->		
542	COUPLING,V-BAND	CT28MP035	->		
543	GASKET,RING	19DK119104233	->		
544	COVER (CASTING)	19EF101183	->		
MISCELLANEOUS GROUP					
545 N	PAINT (5 GAL/18.9 L)(HORIZON GREEN)	19P47005	->		
546 N	PAINT (16 OZ SPRAY) (HORIZON GREEN)	PH23GH017	->		
547 N	PAINT (16 OZ SPRAY) (STERLING GRAY)	PH23GH022	->		
548 N	BRUSH,TUBE CLEANING (FOR 3/4 ID)	KC21AH105	->		
549 N	OIL, COMPR. (5 GAL)(R-11,22,500,114)	PP23BB006	->		
550 N	OIL, COMPR. (5 GAL) (R-134A)	PP23BZ103005	->		
551 N	INSULATION,SHEET (3/4 X 48 X 64)	QR0948 486434	->		
552 N	TAPE,INSULATION	19DA660002	->		
553 N	LOCTITE (RED, 8 OZ/250CC)	19EA660002	->		
554 N	LOGO,CARRIER OVAL	19XB05010301	->		

PARTS LIST CATALOG

PARTS LIST PAGE: 014

CATALOG NO.: RCD-3517-031 REV.
SUPERSEDES : 551-705 & 715 REV.

NOTE: SEE "CATALOG NOTES" ON LAST PAGE FOR EXPLANATION OF SYMBOLISM.