



DOUBLE EFFECT HERMETIC LIQUID ABSORPTION CHILLER

16JT

SIZE: 810 - 880

SERIES: CMX/EBARA

SERVICE PARTS GUIDE

GRAPHICS CATALOG INDEX		Revision A	PAGE:
MACHINE ASSEMBLY GRAPHICS.....			1 - 8

PARTS LIST CATALOG INDEX		Revision A	PAGE:
16JT810 - 16JT816			1 - 6
16JT818 - 16JT828			7 - 12
16JT832 - 16JT847			13 - 18
16JT854 - 16JT873			19 - 24
16JT880			25 - 30

ATTENTION: PLEASE FILE THIS INFORMATION AS A FINAL RELEASE

Attached you will find information that will be released as a two part Service Parts Guide. A Service Parts Guide consists of "Graphics Catalog" and "Parts List Catalog". The common link between these two types of catalogs is the CATALOG NUMBER ONLY!! The revision block that follows the Catalog No. is used as a way to update one or both parts of the Service Parts Guide. This Index Page is a reference to let the Service Parts Center know what has been released on the model listed above.

Information about This Release

8/27/97

Parts List Catalog	
Catalog No: RCD-3516-005	Rev. A
Supersedes: RCD-3516-005	Rev.

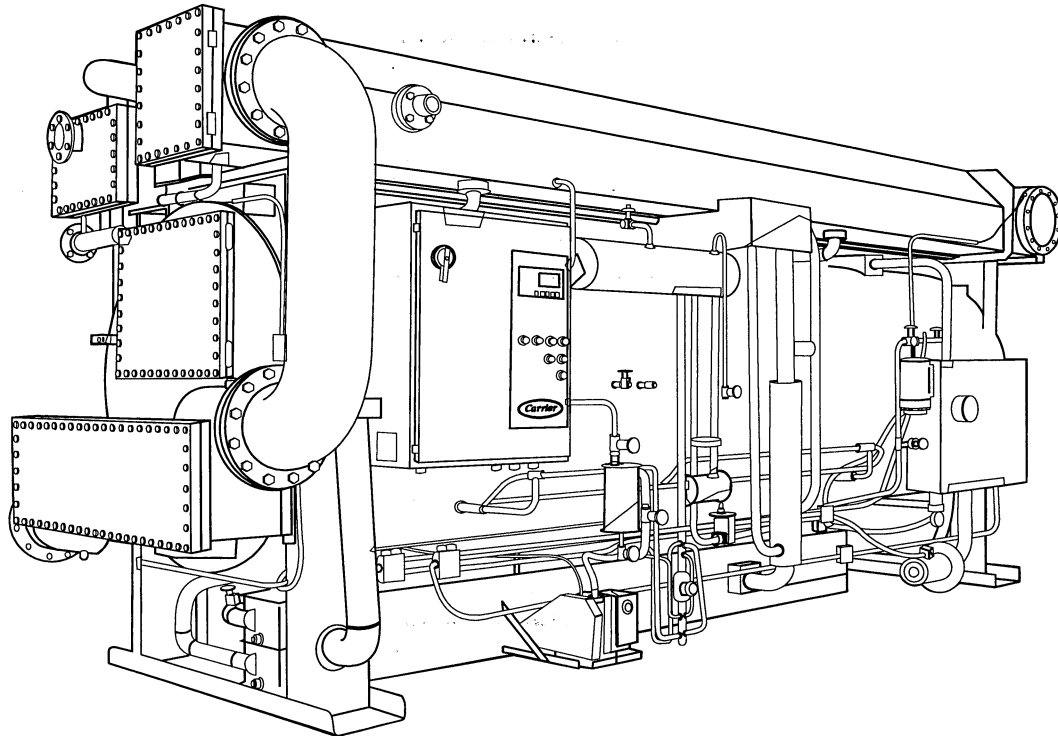
INDEX

Litho in U.S.A



Electronic Graphics 16005000

16JT SERVICE PARTS GUIDE



HOW TO USE THIS CATALOG

- 1. THIS CATALOG PRESENTS THE MOST COMMONLY USED SPECIFIED PARTS FOR THE STANDARD 16JT DOUBLE EFFECT ABSORPTION CHILLER AND IS NOT APPLICABLE TO ANY SPECIAL ORDER MACHINES. (CONTACT CARRIER WITH MACHINE SERIAL NUMBER FOR ANY SPECIAL ORDER UNIT PARTS.)**
- 2. OCCASIONALLY DUE TO LIMITATIONS OF ILLUSTRATIONS USED, A PART MAY NOT BE ILLUSTRATED, THESE PARTS ARE IDENTIFIED BY "N" IN THE COLUMN NEXT TO THE ITEM NUMBER.**
- 3. POSITIVE IDENTIFICATION OF YOUR MACHINE TO PROPERLY SELECT PARTS MAY BE DONE BY REFERRING TO THE MACHINE NAME PLATE.**

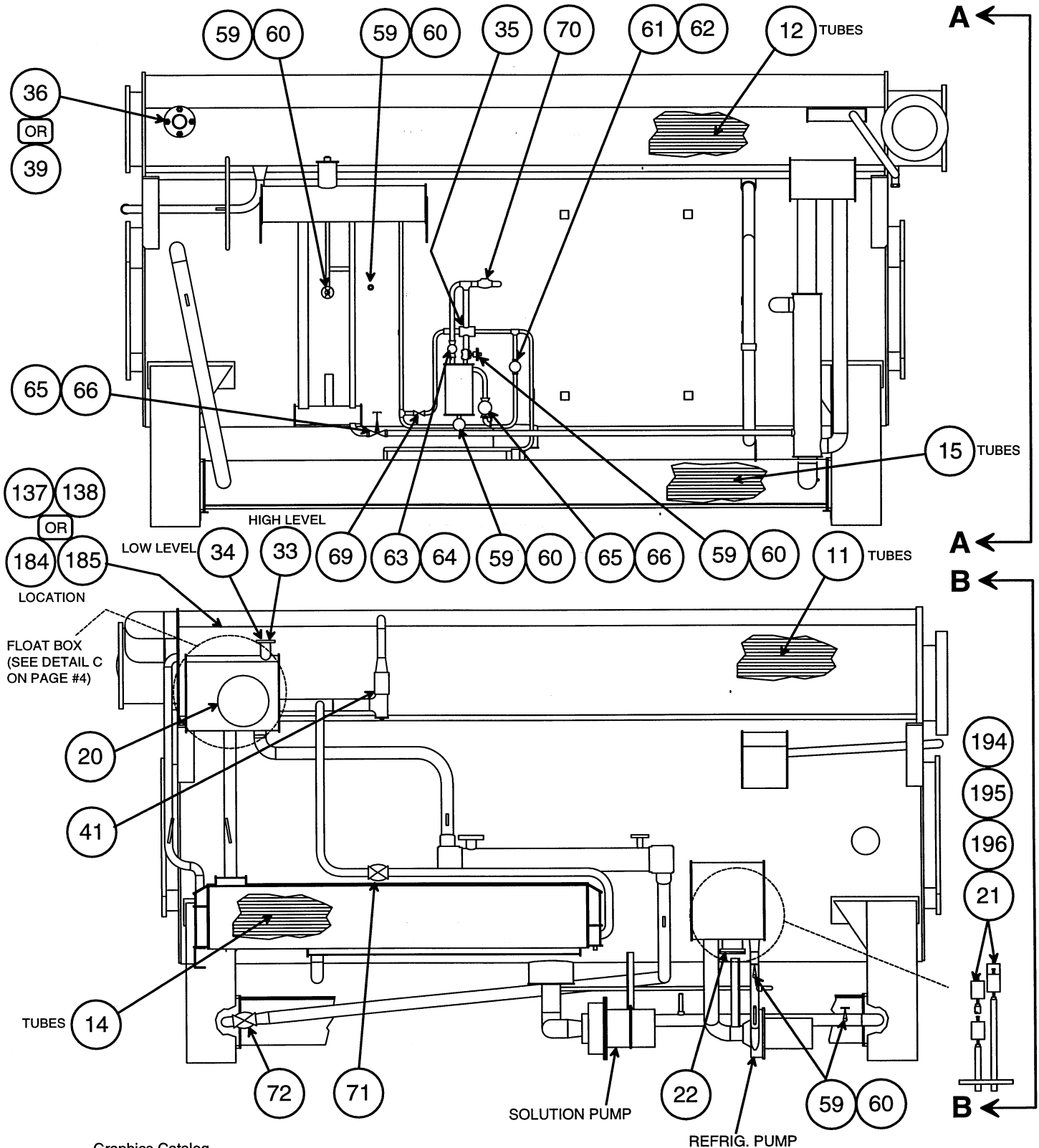


**DOUBLE EFFECT HERMETIC
LIQUID ABSORPTION CHILLER**

16JT

SIZE: 810 - 880

SERIES: CMX/EBARA



Graphics Catalog

Catalog No: RCD-3516-005

Supersedes: RCD-3516-005

Note: See "Catalog Notes" on last page for explanation of symbolism.

Rev. A

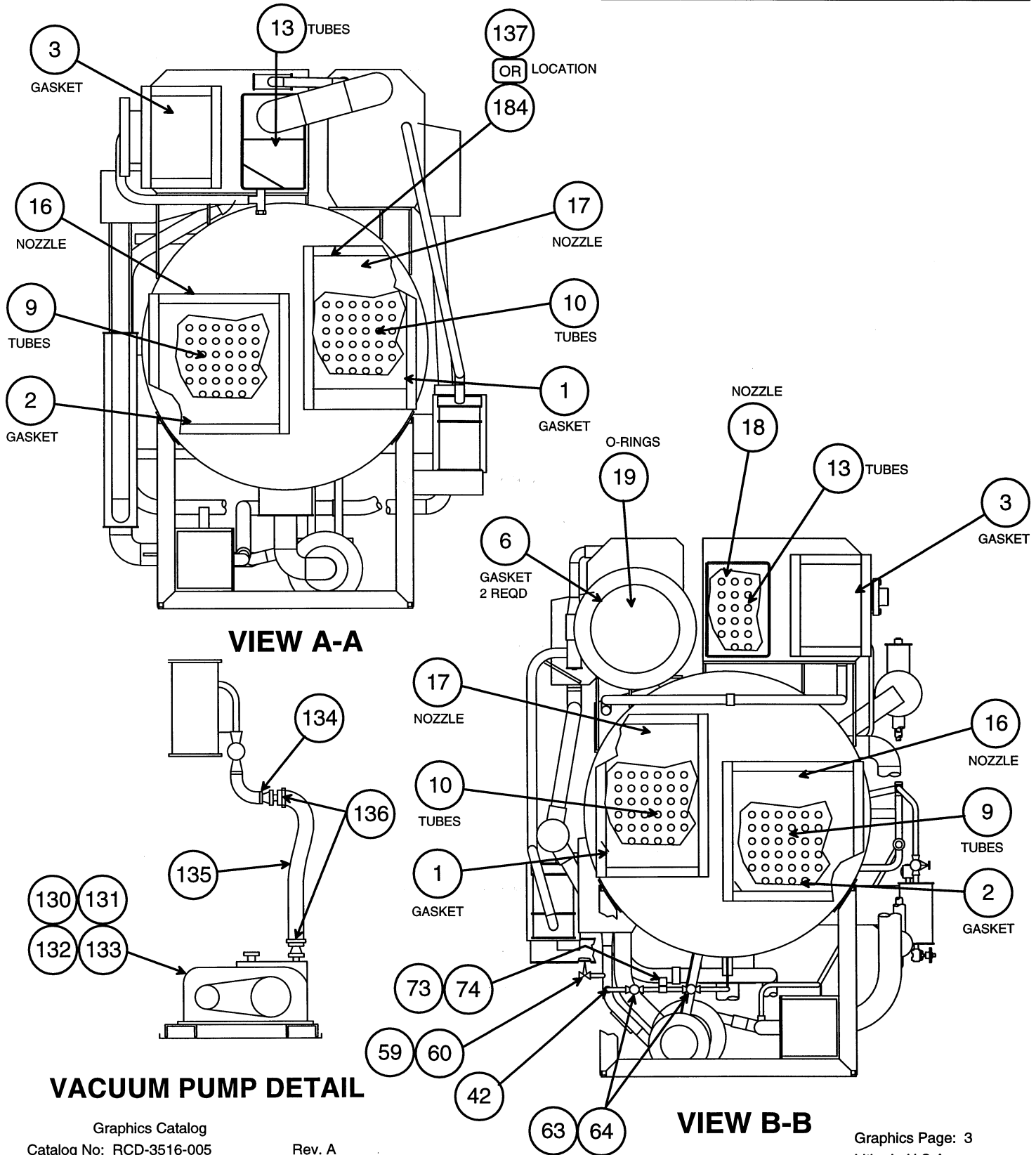
Rev.

Graphics Page: 2

Litho in U.S.A



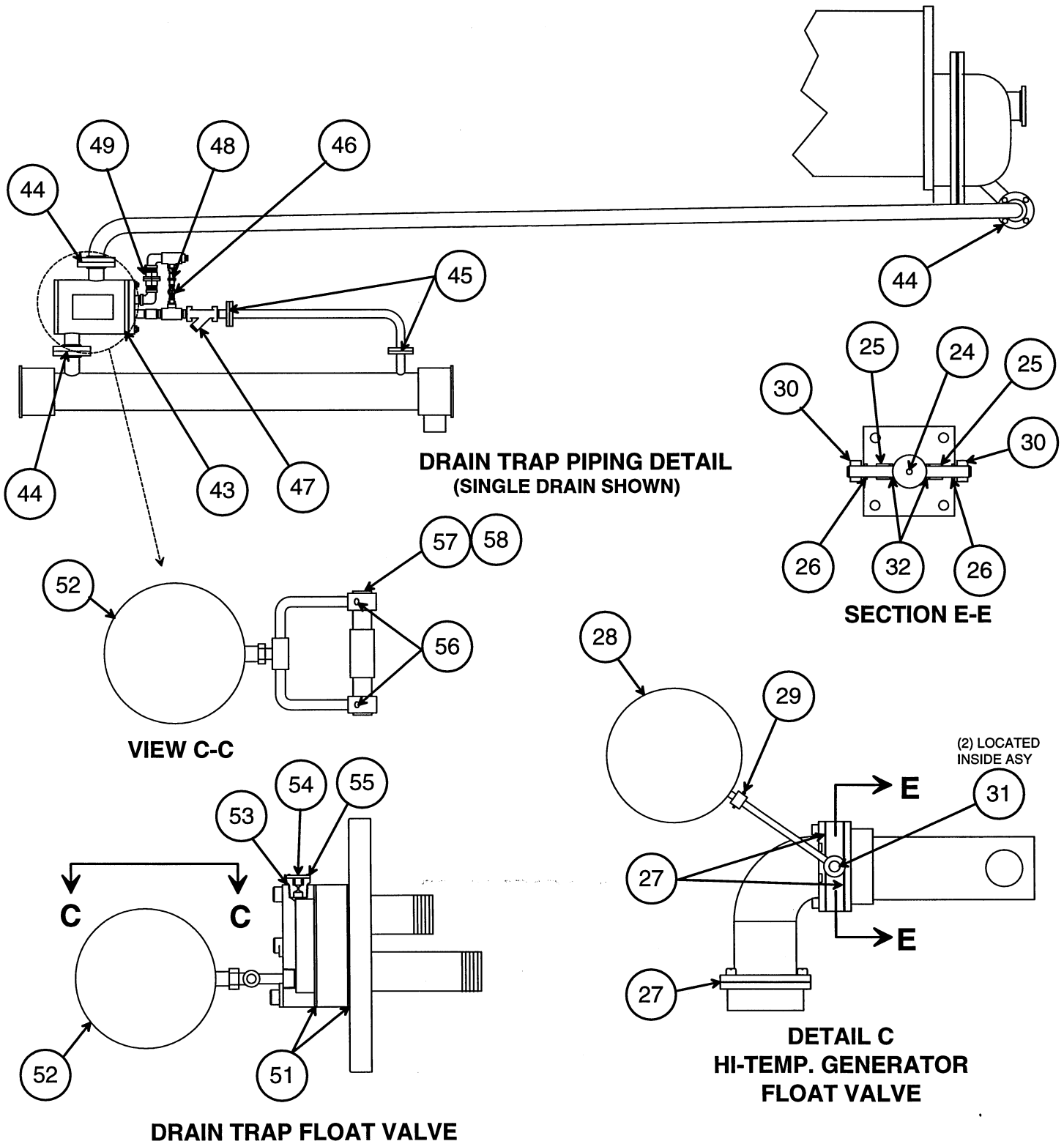
Electronic Graphics 16005002

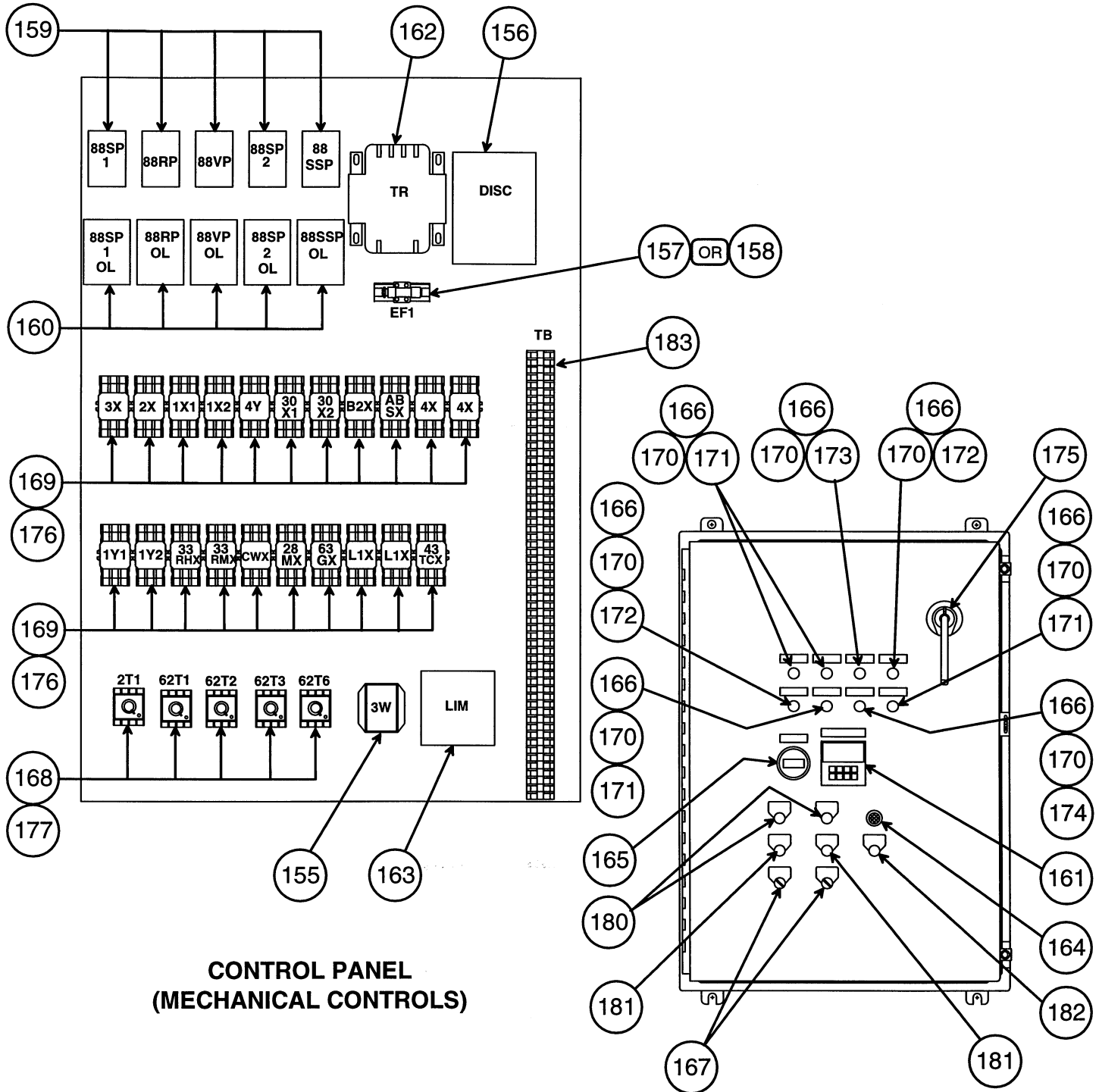


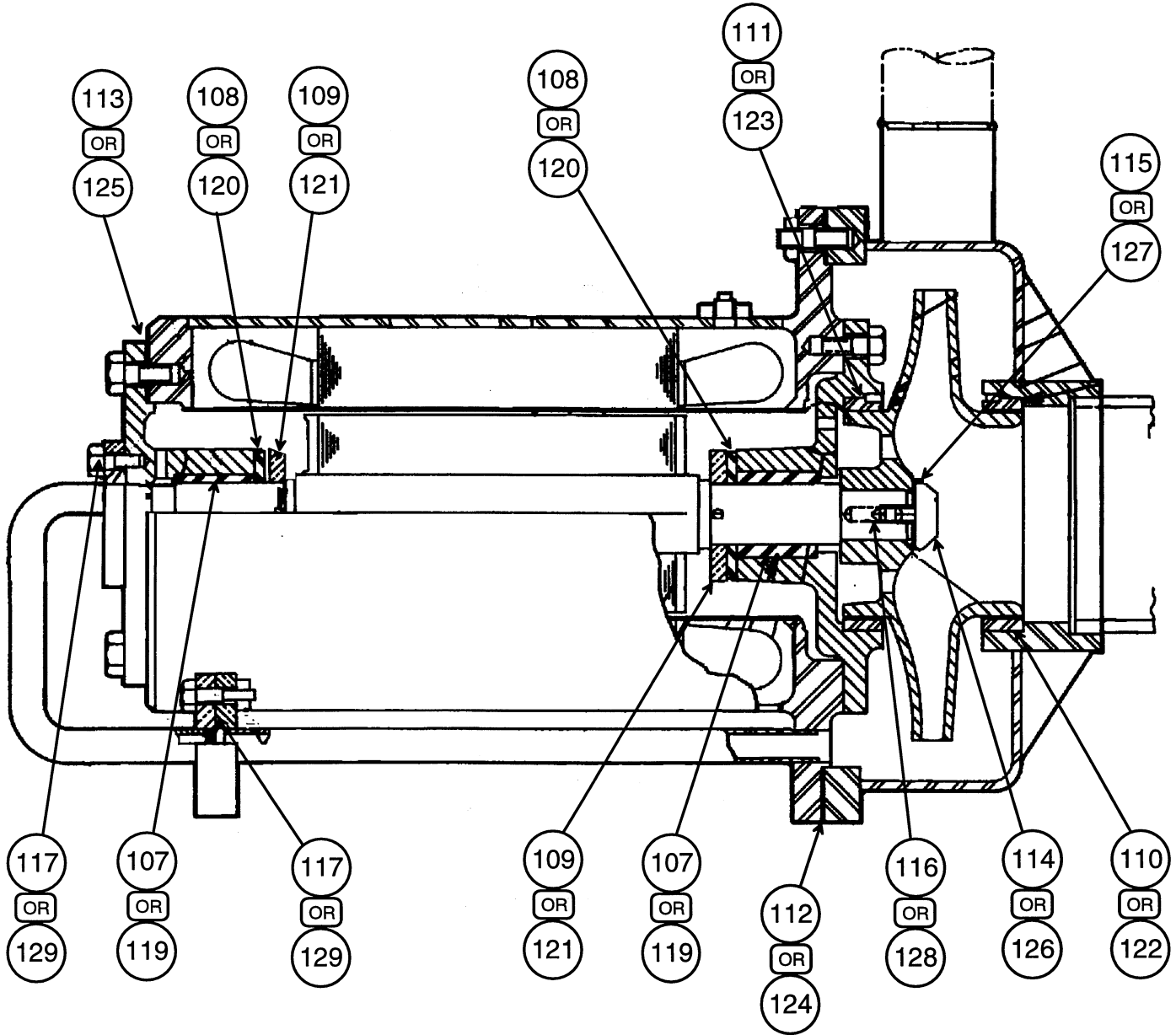
Graphics Catalog
 Catalog No: RCD-3516-005 Rev. A
 Supersedes: RCD-3516-005 Rev.
 Note: See "Catalog Notes" on last page for explanation of symbolism.

Graphics Page: 3
 Litho in U.S.A



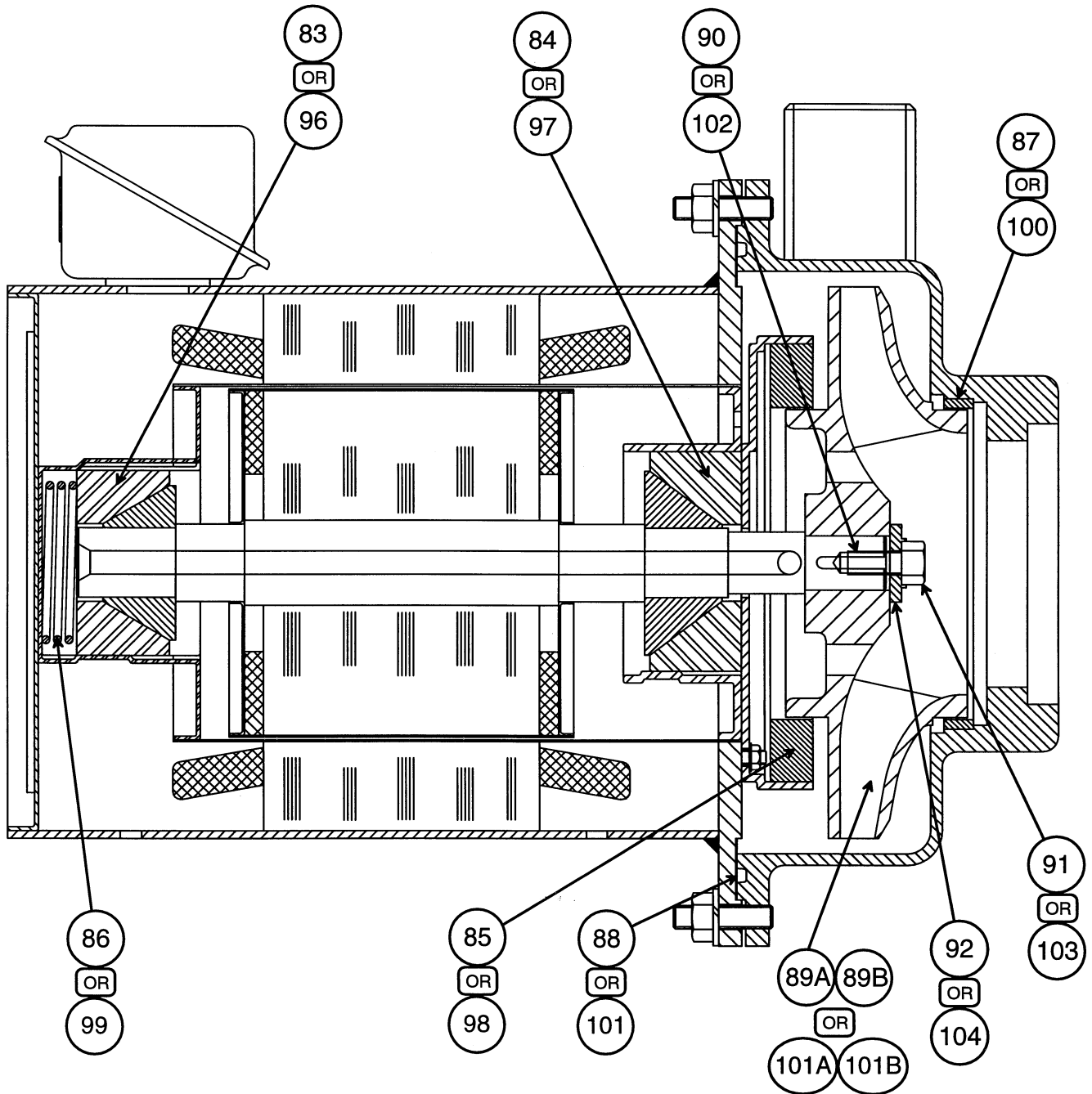






TYPICAL EBARA REFIG. AND SOLUTION PUMP





TYPICAL CMX REFIG. AND SOLUTION PUMP

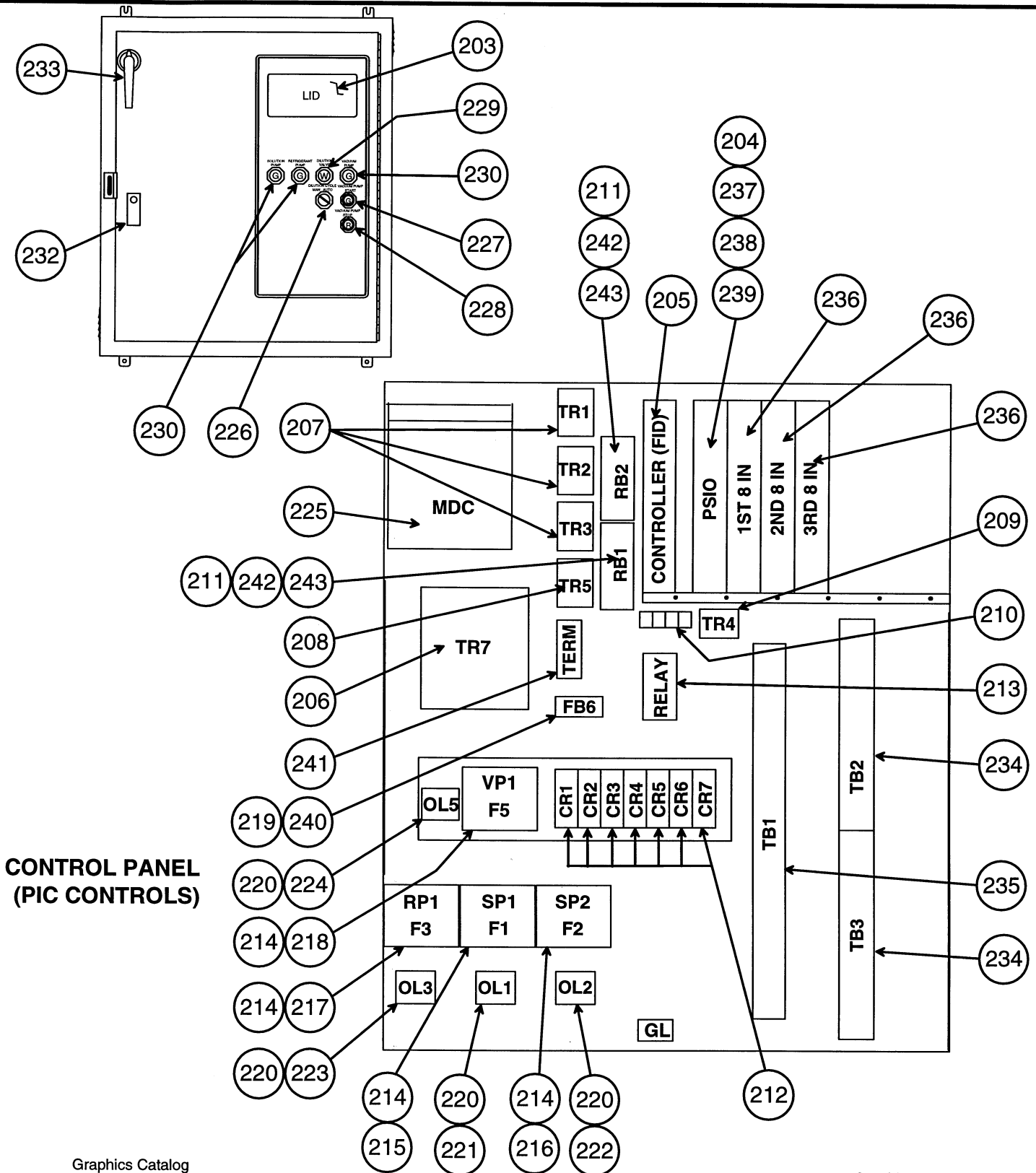
Graphics Catalog
Catalog No: RCD-3516-005
Supersedes: RCD-3516-005

Rev. A
Rev.

Graphics Page: 7
Litho in U.S.A

Note: See "Catalog Notes" on last page for explanation of symbolism.







DOUBLE EFFECT HERMETIC
LIQUID ABSORPTION
CHILLER

16JT

SIZE: 810 880
SERIES: CMX/EBARA

ITM	PART DESCRIPTION	16JT810		16JT812		16JT814		16JT816	
		ALL		ALL		ALL		ALL	
GENERAL PARTS LIST									
1	GASKET, EVAPORATOR WATER BOX	(2)	16JT8106632	(2)	->	(2)	->	(2)	->
2	GASKET, ABSORBER WATER BOX	(2)	16JT8106642	(2)	->	(2)	->	(2)	->
3	GASKET, CONDENSER WATER BOX	(2)	16JT8166652	(2)	->	(2)	->	(2)	->
4	VICTAULIC JOINT (W/B CROSSOVER)		16JT8102645		->		->		X
5	RING GASKET (W/B CROSSOVER)		X		X		X		X
6	GENERATOR SOLUTION BOX GASKET	(2)	16JT8165162	(2)	->	(2)	->	(2)	->
7	DIV PLT GASKET, 20' LG (EVAP/ABS/COND)		19XB680001		->		->		->
8	DIV PLATE GASKET (1ST STAGE GEN)	(2)	0R02SR116	(2)	->	(2)	->	(2)	->
9	TUBES, ABSORBER		179		206		242		179
10	TUBES, EVAPORATOR		161		189		219		161
11	TUBES, U HI-TEMP GEN G1 LONG/SHORT		30/16		32/19		->		26/14
12	TUBES, CONDENSER		113		128		143		118
13	TUBES, LO-TEMP GENERATOR G2		113		129		143		113
14	TUBES, HI-TEMP HEAT EXCHANGER H1		112		156		->		138
15	TUBES, LO-TEMP HEAT EXCHANGER H2	(122)	16JT605662	(144)	->	(166)	->	(98)	16JT857662
16	SPRAY NOZZLE, ABSORBER	(36)	16JB010322	(48)	16JA010386	(48)	->	(60)	->
17	SPRAY NOZZLE, EVAPORATOR	(16)	16JA010312	(16)	->	(16)	->	(24)	->
18	SPRAY NOZZLE, GENERATOR G2	(24)	16JR805372	(16)	->	(16)	->	(36)	->
19A	O-RING, FIRST STAGE GEN. S/B (MEX.)	(46)	KK71EM010	(51)	->	(51)	->	(51)	->
19B	O-RING, FIRST STAGE GEN. S/B (EBARA)	(46)	C16JA01-00068	(51)	->	(51)	->	(40)	->
20A	GASKET, FLOAT BOX(LCD)(PSN WK#7 1996)		16JT8325402		->		->		->
20B	GASKET, FLOAT BOX(LCD)(SSN WK#7 1996)		16JT8325402		->		->		->
20C	GASKET, FLOAT BOX(LCD) (EBARA)		C16JS657-5422		->		->		->
21	REFRIG. LEVEL SWITCH, DISCRETE	(4)	16JT832424	(4)	->	(4)	->	(4)	->
22A	GASKET, REFRIG. LEVEL SWITCH (MEX.)		16JT8325712		->		->		->
22B	GASKET, REFRIG. LEVEL SWITCH (EBARA)		C16JS832-5712		->		->		->
23A	FLOAT VALVE ASY, LCD (MEX.)		16JT810574		->		->		16JT816574
23B	FLOAT VALVE ASY, LCD (EBARA)		C01PP-673920		->		->		C01PP-673921
24	FLOAT DISC (SST)		16JT8105733		->		->		16JT8165733
25	BUSHING HOUSING (SST)	(2)	16JT8105731	(2)	->	(2)	->	(2)	->
26	O-RING (MEX.)	(2)	16JT8105747	(2)	->	(2)	->	(2)	->
27	GASKET (SQUARE)	(3)	16JT8105726	(3)	->	(3)	->	(3)	->
28A	FLOAT BALL (MEX.)		16JT8101091		->		->		->
28B	FLOAT BALL (EBARA)		C01PP-57841		->		->		->
29	STRAIGHT PIN (FLOAT BALL)(SST)	(2)	16JT8105737	(2)	->	(2)	->	(2)	->
30	ARM COLLAR (SST)	(2)	16JT8105734	(2)	->	(2)	->	(2)	->
31	TAPER PIN (SST)	(2)	16JT8105738	(2)	->	(2)	->	(2)	->
32	HOUSING SHIM (SST)	(2)	16JT8105732	(2)	->	(2)	->	(2)	->
33	HIGH LEVEL ELECTRODE, 1ST ST. GEN.		16JT660001		->		->		->
34	LOW LEVEL ELECTRODE, 1ST ST. GEN.		16JT660001		->		->		->
35	EDUCTOR		16JT605753		->		->		X
36	RUPTURE DISC ASY (CARBON)(W/GASKETS)		17Q4317		->		->		->
37	GASKET, RUPTURE DISC (CARBON)	(2)	CR90S2002	(2)	->	(2)	->	(2)	->
38	DISC, RUPTURE (CARBON)		17Q4317		->		->		->
39	RUPTURE DISC ASY (METALIC)		16DF0322014		->		->		->
40	GASKET, RUPTURE DISC (METALIC)	(2)	CT992X501	(2)	->	(2)	->	(2)	->
41	STRAINER ASY (LVG LCD)		C01PP-60771		->		->		->
42	STRAINER ASY (3/4")		16JT810290		->		->		->
43	GASKET, DRAIN TRAP		16JT8101781		->		->		->
44	RING GASKET (2") (DRAIN TRAP PIPING)	(3)	CT996X4011A	(3)	->	(3)	->	(3)	->
45	RING GASKET (1") (DRAIN TRAP PIPING)	(2)	CT996X2511A	(2)	->	(2)	->	(2)	->
46	GLOBE VALVE (1") (DRAIN TRAP PIPING)		16JT8241188		->		->		->
47	STRAINER (1") (DRAIN TRAP PIPING)		16JT8102850		->		->		->
48	GROUND UNION 3/8" (DRAIN TRAP PIPING)		16JT8241187		->		->		->

PARTS LIST CATALOG

PARTS LIST PAGE: 001

CATALOG NO.: RCD-3516-005 REV. A
SUPERSEDES : RCD-3516-005 REV.

NOTE: SEE "CATALOG NOTES" ON LAST PAGE FOR EXPLANATION OF SYMBOLISM.



DOUBLE EFFECT HERMETIC
LIQUID ABSORPTION
CHILLER

16JT

SIZE: 810 880
SERIES: CMX/EBARA

ITM	PART DESCRIPTION	16JT810	16JT812	16JT814	16JT816
		ALL	ALL	ALL	ALL
GENERAL PARTS LIST					
49	GROUND UNION 1" (DRAIN TRAP PIPING)	CA85RA251	->	->	->
49A	HEAT EXCHANGER (DRAIN TRAP PIPING)	16JT810133	->	->	16JT824233
50A	FLOAT VALVE ASY.DRAIN TRAP (MEX.)	16JT810544	->	->	->
50B	FLOAT VALVE ASY.DRAIN TRAP (EBARA)	A16JS810C-558	->	->	->
51	FLOAT GASKET	(2) 16JT8245066	(2) ->	(2) ->	(2) ->
52A	FLOAT BALL (MEX.)	16JT8101097	->	->	->
52B	FLOAT BALL (EBARA)	C01PP-6193	->	->	->
53	RELIEF PLUG	16JT8245071	->	->	->
54	STRAINER (SST)	16JT8245443	->	->	->
55	RETAINER WASHER	16JT8245442	->	->	->
56	TAPER PIN	(2) 16JT8241186	(2) ->	(2) ->	(2) ->
57	BUSHING (L=3/4)	16JT8245077	->	->	->
58	BUSHING (L=5/8)	16JT8245078	->	->	->
59	DIAPHRAGM VALVE, 1/2" (SCREWED)	(7) EF71CA181	(7) ->	(7) ->	(7) ->
60A	DIAPHRAGM REPLACEMENT (MEXICO)	EF792A181	->	->	->
60B	DIAPHRAGM REPLACEMENT (EBARA)	C01PP-61102	->	->	->
61	DIAPHRAGM VALVE, 1/2" (WELDED)	(3) 16JT8102472	(3) ->	(3) ->	(3) ->
62A	DIAPHRAGM REPLACEMENT (MEXICO)	16JT680024	->	->	->
62B	DIAPHRAGM REPLACEMENT (EBARA)	C01PP-61102	->	->	->
63	DIAPHRAGM VALVE, 3/4" (WELDED)	16JT8102475	->	->	->
64A	DIAPHRAGM REPLACEMENT (MEXICO)	16JT680025	->	->	->
64B	DIAPHRAGM REPLACEMENT (EBARA)	C01PP-61103	->	->	->
65	DIAPHRAGM VALVE 1" (WELDED)	16JT8102473	->	->	->
66A	DIAPHRAGM REPLACEMENT (MEXICO)	16JT680026	->	->	->
66B	DIAPHRAGM REPLACEMENT (EBARA)	C01PP-61104	->	->	->
67	DIAPHRAGM VALVE 1" (SCREWED)	EF712M006	->	->	->
68A	DIAPHRAGM REPLACEMENT (MEXICO)	EF792M006	->	->	->
68B	DIAPHRAGM REPLACEMENT (EBARA)	C01PP-61104	->	->	->
69	CHECK VALVE 1/2"	16DF07024051	->	->	->
70	CHECK VALVE 1"	16DF07024053	->	->	->
71	CHECK VALVE 1 1/2"	(2) 16DF07024055	(2) ->	(2) ->	(2) ->
72	CHECK VALVE 2"	16DF07024056	->	->	->
73	VALVE,SOLENOID (3/4")	16JT08010300	->	->	->
74 N	SOLENOID COIL (3/4")	16JT680035	->	->	->
75 N	SOLENOID VALVE REPAIR KIT (3/4")	16JT680034	->	->	->
76	VALVE,SOLENOID (1/2") (EBARA)	C01PP-57454	->	->	->
77A	GAUGE,COMPOUND (MEX.)	16DF04090062	->	->	->
77B	GAUGE,COMPOUND (EBARA)	C01PP-57421	->	->	->
78	SIGHT GLASS (EBARA)	C01PP-5751	->	->	->
79	GASKET,SIGHT GLASS (EBARA)	C01PP-57516	->	->	->
80	GASKET,SIGHT GLASS (EBARA)	C01PP-57515	->	->	->
PUMP GROUP					
81A	PUMP,REFRIGERANT (230/460-60HZ) (MEX)	16JT8101075	->	->	->
81B	PUMP,REFRIGERANT (575-60HZ) (MEX.)	16JT8101075-1	->	->	->
81C	PUMP,REFRIGERANT (380-60HZ) (MEX.)	16JT8101075-3	->	->	->
82	MOTOR REPLACEMENT KIT	16JT660002	->	->	->
83	FRONT BEARING	16JT680010	->	->	->
84	DRIVE BEARING	16JT680010	->	->	->
85	MOTOR RING	16JT680018	->	->	->
86	SPRING	16JT680014	->	->	->
87	CASING RING	16JT680018	->	->	->
88	O-RING/GASKET	16JT680008	->	->	->
89A	IMPELLER (60HZ)	KK75XA601	->	->	->
89B	IMPELLER (50HZ)	NOT AVAIL. AT REL.	->	->	->

PARTS LIST CATALOG

PARTS LIST PAGE: 002

CATALOG NO.: RCD-3516-005 REV. A
SUPERSEDES : RCD-3516-005 REV.

NOTE: SEE "CATALOG NOTES" ON LAST PAGE FOR EXPLANATION OF SYMBOLISM.



DOUBLE EFFECT HERMETIC
LIQUID ABSORPTION
CHILLER

16JT

SIZE: 810 880
SERIES: CMX/EBARA

ITM	PART DESCRIPTION	16JT810	16JT812	16JT814	16JT816
		ALL	ALL	ALL	ALL
PUMP GROUP					
90	IMPELLER KEY	16JT680021	->	->	->
91	IMPELLER LOCKING SCREW	KT592P031	->	->	->
92	IMPELLER WASHER	KT592P021	->	->	->
93	CLIP	16JT680013	->	->	->
94A	PUMP,SOLUTION (230/460-60HZ) (MEX.)	16JT8101076	->	->	->
94B	PUMP,SOLUTION (575-60HZ) (MEX.)	16JT8101076-1	->	->	->
94C	PUMP,SOLUTION (380-60HZ) (MEX.)	16JT8101076-3	->	->	->
95	MOTOR REPLACEMENT KIT	16JT660003	->	->	->
96	FRONT BEARING	16JT680012	->	->	->
97	DRIVE BEARING	16JT680011	->	->	->
98	MOTOR RING	16JT680019	->	->	->
99	SPRING	16JT680016	->	->	->
100	CASING RING	KK09XC042	->	->	->
101	"O" RING	16JT680017	->	->	->
101A	IMPELLER (60HZ)	KK75XA544	->	->	->
101B	IMPELLER (50HZ)	NOT AVAIL. AT REL.	->	->	->
102	IMPELLER KEY	16JT680007	->	->	->
103	IMPELLER LOCK SCREW	16JB680048	->	->	->
104	IMPELLER WASHER	16JB680044	->	->	->
105	CLIP	N/A	->	->	->
106A	PUMP,REFRIGERANT (208V-60HZ) (EBARA)	A16JH012-236X1	->	->	->
106B	PUMP,REFRIGERANT (460V-60HZ) (EBARA)	A16JH012-245X1	->	->	->
106C	PUMP,REFRIGERANT (480V-60HZ) (EBARA)	A16JH012-246X1	->	->	->
107	BEARING,RADIAL	(2) C16JH010-8222	(2) ->	(2) ->	(2) ->
108	BEARING,THRUST	(2) C16JH010-8212	(2) ->	(2) ->	(2) ->
109	COLLAR,THRUST	(2) C16JH012-8202	(2) ->	(2) ->	(2) ->
110	WEAR RING,PUMP CASING	C16JH010-8232	->	->	->
111	WEAR RING,MOTOR SIDE	C16JH012-8232	->	->	->
112	GASKET,CASING SIDE	C16JH010-8532	->	->	->
113	GASKET,END COVER SIDE	C16JH010-9242	->	->	->
114	LOCK NUT,IMPELLER	C16JH010-9222	->	->	->
115	WASHER,IMPELLER	C16JH010-9232	->	->	->
116	KEY,IMPELLER	C16JH010-9212	->	->	->
117	O-RING	N/A	->	->	->
118A	PUMP,SOLUTION (208V-60HZ) (EBARA)	A16JH028-121X1	->	->	->
118B	PUMP,SOLUTION (460V-60HZ) (EBARA)	A16JH028-145X1	->	->	->
118C	PUMP,SOLUTION (480V-60HZ) (EBARA)	A16JH028-151X1	->	->	->
119	BEARING,RADIAL	(2) C16JA032-8222	(2) ->	(2) ->	(2) ->
120	BEARING,THRUST	(2) C16JA032-8212	(2) ->	(2) ->	(2) ->
121	COLLAR,THRUST	(2) C16JA032-8202	(2) ->	(2) ->	(2) ->
122	WEAR RING,PUMP CASING	C16JA032-8232	->	->	->
123	WEAR RING,MOTOR SIDE	C16JA032-8232	->	->	->
124	GASKET,CASING SIDE	C16JA032-8532	->	->	->
125	GASKET,END COVER SIDE	C16JA032-9242	->	->	->
126	LOCK NUT,IMPELLER	C16JA032-9222	->	->	->
127	WASHER,IMPELLER	C16JA032-9232	->	->	->
128	KEY,IMPELLER	C16JA032-9212	->	->	->
129	O-RING	(2) C16JA010-8262	(2) ->	(2) ->	(2) ->
130	VACUUM PUMP 10.6 CFM;230/460V-3 PH	16JT8248301	->	->	->
131	VACUUM PUMP 10.6 CFM;575V-3 PH	16JT8248302	->	->	->
132	VACUUM PUMP .9 CFM;230/460V-3 PH	16JT8248305	->	->	->
133	VACUUM PUMP .9 CFM;575V-3 PH	16JT8248306	->	->	->
134	FITTING,BARBED (3/4 NPT X 1/2 I.D)	16JT8577314	->	->	->
135	VACUUM TUBING 5'LG (CUT TO SUIT)	16JT8577334	->	->	->

PARTS LIST CATALOG

PARTS LIST PAGE: 003

CATALOG NO.: RCD-3516-005 REV. A
SUPERSEDES : RCD-3516-005 REV.

NOTE: SEE "CATALOG NOTES" ON LAST PAGE FOR EXPLANATION OF SYMBOLISM.



DOUBLE EFFECT HERMETIC
LIQUID ABSORPTION
CHILLER

16JT

SIZE: 810 880
SERIES: CMX/EBARA

ITM	PART DESCRIPTION	16JT810		16JT812		16JT814		16JT816	
		ALL		ALL		ALL		ALL	
PUMP GROUP									
136	CLAMP MECHANICAL CONTROLS GROUP	(2)	KA69-JM828	(2)	->	(2)	->	(2)	->
137	SWITCH,LOW TEMP. (CHILLED WATER)		16JT8106656		->		->		->
138	SWITCH,HIGH TEMP. (HIGH TEMP. GEN.)		11B06-46		->		->		->
139	SWITCH,HIGH PRESS. (HIGH TEMP. GEN.)		16DF04090070		->		->		->
140	N SWITCH,COOLING WATER DIF.		HK062C003		->		->		->
141	N SWITCH,REED (12")		16JT8101090		->		->		->
142	N SWITCH,REED (18")		16JT8321090		->		->		->
143	N SWITCH,REED (20")		16JT8571090		->		->		->
144	N SWITCH,REED (22")		16JT8801090		->		->		->
145	N RTD, PT100 OHMS (EBARA)		CSP-N06591		->		->		->
146	N THERMOSTAT,SOL. HI-TEMP. (EBARA)		C01PP-57491		->		->		->
147	N THERMOSTAT,CHW. LO-TEMP. (EBARA)		CSP-M07431		->		->		->
148	N THERMOSTAT,CYCLE GUARD (EBARA)		C01PP-58612		->		->		->
149	N THERMISTER 3" (EBARA)		HH79NZ070		->		->		->
150	N THERMISTER 8" (EBARA)		HH79NZ071		->		->		->
151	N VACUUM SWITCH (EBARA)		C01PP-63401		->		->		->
152	N FLOW SWITCH,CHILLED WATER (EBARA)		CSP-N07801		->		->		->
153	CONTROL BOX ASY (208/230-3-60)		16JT810701		->		->		->
154	CONTROL BOX ASY (460-3-60)		16JT810704		->		->		->
155	LEVEL CONTROL (WARRICK)		16JT680033		->		->		->
156	DISC. SWITCH (100A)(TELEMECANIQUE)		D10S3		->		->		->
157	FUSE KIT (30A) (TELEMECANIQUE)		D12E62		->		->		->
158	FUSE KIT (60A) (TELEMECANIQUE)		D12F63		->		->		->
159	CONTACTOR (PUMPS) (CUTLER-HAMMER)	(3)	C25DND325A	(3)	->	(3)	->	(3)	->
160	OVERLOAD DEVICE (PUMPS) (FURNAS)	(3)	48DC38AA45Z	(3)	->	(3)	->	(3)	->
161	CAPACITY CONTROLLER (HONEYWELL)		DC300K000321B0000		->		->		->
162	TRANSFORMER (HEVI-DUTY)		F550N		->		->		->
163	TRANSUCER (TRIAD TECHNOLOGY)		UC-3800-4-4-0		->		->		->
164	AC/DC SONALERT (MALLORY/SONALERT)		SC-110-P		->		->		->
165	ELAPSED TIME METER (CARRIER-RCD)		19EA660035		->		->		->
166	"V" LAMP (SYLVANIA)	(8)	6S6 145V	(8)	->	(8)	->	(8)	->
167	2-POS. SELECT. SW. (ALLEN-BRADLEY)	(2)	800T-H2A	(2)	->	(2)	->	(2)	->
168	ON-DELAY TIMER (ATC)	(5)	339A200Q2X	(5)	->	(5)	->	(5)	->
169	RELAY,PLUG-IN (POTTER & BRUMFIELD)	(21)	16JT8101109	(21)	->	(21)	->	(21)	->
170	INDICATOR LIGHT BODY (DIALCO)	(8)	103-3101-05-4	(8)	->	(8)	->	(8)	->
171	RED LENS (DIALCO)	(4)	103-1211-403	(4)	->	(4)	->	(4)	->
172	GREEN LENS (DIALCO)	(2)	103-1212-403	(2)	->	(2)	->	(2)	->
173	AMBER LENS (DIALCO)		103-1213-403		->		->		->
174	WHITE LENS (DIALCO)		103-1235-403		->		->		->
175	HANDLE,DISCONNECT (TELEMECANIQUE)		D11SF10		->		->		->
176	RELAY SOCKET(3 POLE)(CUSTOM CONN.)	(21)	SL711	(21)	->	(21)	->	(21)	->
177	RELAY SOCKET(2 POLE)(CUSTOM CONN.)	(5)	SL608	(5)	->	(5)	->	(5)	->
178	REMOTE TEMP. DETECTOR (PYROMATION)		RIT185L48093-SL-601		->		->		->
179	THERMOWELL (PYROMATION)		1/2"-260L-U4-1/2-316		->		->		->
180	START BUTTON (GREEN)	(2)	16JT8101107	(2)	->	(2)	->	(2)	->
181	STOP BUTTON (RED)	(2)	16JT8121107	(2)	->	(2)	->	(2)	->
182	ALARM STOP-BUTTON (ALLEN-BRADLEY)		800T-A2D1		->		->		->
183	TERMINAL BLOCK (ALLEN-BRADLEY)		1492-CA2		->		->		->
PIC CONTROLS GROUP									
184	SWITCH,LOW TEMP. (CHILLED WATER)		16JT8106656		->		->		->
185	SWITCH,HIGH TEMP. (HIGH TEMP. GEN.)		11B06-46		->		->		->
186	SWITCH,HIGH PRESS. (HIGH TEMP. GEN.)		16DF04090070		->		->		->
187	SWITCH,COOLING WATER DIF.		HK062C003		->		->		->



DOUBLE EFFECT HERMETIC
LIQUID ABSORPTION
CHILLER

16JT

SIZE: 810 880
SERIES: CMX/EBARA

ITM	PART DESCRIPTION	16JT810		16JT812		16JT814		16JT816	
		ALL		ALL		ALL		ALL	
PIC CONTROLS GROUP									
188	THERMISTOR (5K)	(13)	HH79N2047	(13)	->	(13)	->	(13)	->
189	THERMISTOR (100K)	(5)	HH79N2070	(5)	->	(5)	->	(5)	->
190	CABLE ASY,TEMPERATURE SENSOR		HH79N2072		->		->		->
191	TRANSDUCER,LOW PRESSURE		HK05Y2004		->		->		->
192	TRANSDUCER,HIGH PRESSURE	(2)	HK05Y2002	(2)	->	(2)	->	(2)	->
193	CABLE ASY,HIGH/LOW PRESSURE		16JT810798		->		->		->
194	FLOAT SWITCH,ANALOG (12")		16JT810788		->		->		->
195	FLOAT SWITCH,ANALOG (18")		16JT810789		->		->		->
196	FLOAT SWITCH,ANALOG (20")		16JT810790		->		->		->
197	FLOAT SWITCH,DISCRETE	(3)	16JT832424	(3)	->	(3)	->	(3)	->
198	SWITCH,REED (12")		16JT8101090		->		->		->
199	SWITCH,REED (18")		16JT8321090		->		->		->
200	SWITCH,REED (20")		16JT8571090		->		->		->
201	SWITCH,REED (22")		16JT8801090		->		->		->
202	16JT PIC CONTROL PANEL DWG(REF.ONLY)		16JT810763		->		->		->
203	LID 2B		CES0130036		->		->		->
204	PSIO II		CEPL110189-02		->		->		->
205	CONTROLLER,PIC MODULE (FID)		16JT810720		->		->		->
206	TRANSFORMER(575/460/230 TO 110)(CTR)		16JT8101101		->		->		->
207	TRANSFORMER(110 TO 21)(TR1,TR2,TR3)	(3)	HT01BD113	(3)	->	(3)	->	(3)	->
208	TRANSFORMER(110 TO 24)(TR5)		HT01AW235		->		->		->
209	TRANSFORMER(21 TO 5)(TR4)		HK35AA002		->		->		->
210	CIRCUIT BREAKER		HH83ZB001		->		->		->
211	RELAY BOARD,SIX PACK (RB1,RB2)		HK35AA001		->		->		->
212A	RELAY (CR1 - CR7) (PSN WK#6 1997)	(7)	16JT8101109	(7)	->	(7)	->	(7)	->
212B	RELAY (CR1 - CR7) (SSN WK#6 1997)	(7)	16JT8101102	(7)	->	(7)	->	(7)	->
213	RELAY,HIGH LEVEL		16JT680033		->		->		->
214	STARTER BLOCK(RP1,SP1,SP2,VP1)		16JT8101105		->		->		->
215A	FUSE (F1/SP1) (208/240-3-60)	(3)	LPJ-25	(3)	->	(3)	->	(3)	->
215B	FUSE (F1/SP1) (416/480-3-60)	(3)	LPJ-20	(3)	->	(3)	->	(3)	->
215C	FUSE (F1/SP1) (550/600-3-60)	(3)	LPJ-15	(3)	->	(3)	->	(3)	->
215D	FUSE (F1/SP1) (380-3-50)	(3)	LPJ-20	(3)	->	(3)	->	(3)	->
216A	FUSE (F2/SP2) (208/240-3-60)		X		X		X		X
216B	FUSE (F2/SP2) (416/480-3-60)		X		X		X		X
216C	FUSE (F2/SP2) (550/600-3-60)		X		X		X		X
216D	FUSE (F2/SP2) (380-3-50)		X		X		X		X
217A	FUSE (F3/RP1) (208/240-3-60)	(3)	LPJ-5	(3)	->	(3)	->	(3)	->
217B	FUSE (F3/RP1) (416/480-3-60)	(3)	LPJ-5	(3)	->	(3)	->	(3)	->
217C	FUSE (F3/RP1) (550/600-3-60)	(3)	LPJ-3	(3)	->	(3)	->	(3)	->
217D	FUSE (F3/RP1) (380-3-50)	(3)	LPJ-5	(3)	->	(3)	->	(3)	->
218A	FUSE (F5/VP1) (208/240-3-60)	(3)	LPJ-3	(3)	->	(3)	->	(3)	->
218B	FUSE (F5/VP1) (416/480-3-60)	(3)	LPJ-2	(3)	->	(3)	->	(3)	->
218C	FUSE (F5/VP1) (550/600-3-60)	(3)	LPJ-2	(3)	->	(3)	->	(3)	->
218D	FUSE (F5/VP1) (380-3-50)	(3)	LPJ-2	(3)	->	(3)	->	(3)	->
219A	FUSE (FB6) (208/240-3-60)		LPJ-5		->		->		->
219B	FUSE (FB6) (416/480-3-60)		LPJ-5		->		->		->
219C	FUSE (FB6) (550/600-3-60)		LPJ-5		->		->		->
219D	FUSE (FB6) (380-3-50)		LPJ-5		->		->		->
220	OVERLOAD RELAY	(4)	HN68JX003	(4)	->	(4)	->	(4)	->
221A	HEATER,OVERLOAD(COL1)(208/240-3-60)	(3)	HN71JC067	(3)	->	(3)	->	(3)	->
221B	HEATER,OVERLOAD(COL1)(416/480-3-60)	(3)	HN71JC054	(3)	->	(3)	->	(3)	->
221C	HEATER,OVERLOAD(COL1)(550/600-3-60)	(3)	HN71JC050	(3)	->	(3)	->	(3)	->
221D	HEATER,OVERLOAD(COL1)(380-3-50)	(3)	HN71JC054	(3)	->	(3)	->	(3)	->
222A	HEATER,OVERLOAD(COL2)(208/240-3-60)		X		X		X		X

PARTS LIST CATALOG

PARTS LIST PAGE: 005

CATALOG NO.: RCD-3516-005 REV. A
SUPERSEDES : RCD-3516-005 REV.

NOTE: SEE "CATALOG NOTES" ON LAST PAGE FOR EXPLANATION OF SYMBOLISM.



DOUBLE EFFECT HERMETIC
LIQUID ABSORPTION
CHILLER

16JT

SIZE: 810 880
SERIES: CMX/EBARA

ITM	PART DESCRIPTION	16JT810	16JT812	16JT814	16JT816
		ALL	ALL	ALL	ALL
PIC CONTROLS GROUP					
222B	HEATER,OVERLOAD(OL2)(416/480-3-60)	X	X	X	X
222C	HEATER,OVERLOAD(OL2)(550/600-3-60)	X	X	X	X
222D	HEATER,OVERLOAD(OL2)(380-3-50)	X	X	X	X
223A	HEATER,OVERLOAD(OL3)(208/240-3-60)	(3) HN71JC031	(3) ->	(3) ->	(3) ->
223B	HEATER,OVERLOAD(OL3)(416/480-3-60)	(3) HN71JC021	(3) ->	(3) ->	(3) ->
223C	HEATER,OVERLOAD(OL3)(550/600-3-60)	(3) HN71JC021	(3) ->	(3) ->	(3) ->
223D	HEATER,OVERLOAD(OL3)(380-3-50)	(3) HN71JC021	(3) ->	(3) ->	(3) ->
224A	HEATER,OVERLOAD(OL5)(208/240-3-60)	(3) HN71JC021	(3) ->	(3) ->	(3) ->
224B	HEATER,OVERLOAD(OL5)(416/480-3-60)	(3) HN71JC021	(3) ->	(3) ->	(3) ->
224C	HEATER,OVERLOAD(OL5)(550/600-3-60)	(3) HN71JC021	(3) ->	(3) ->	(3) ->
224D	HEATER,OVERLOAD(OL5)(380-3-50)	(3) HN71JC021	(3) ->	(3) ->	(3) ->
225	DISCONNECT,100 AMP (MDC)	16JT8101105	->	->	->
226	SWITCH,SELECTOR (AUTO/MANUAL)	16JT8101106	->	->	->
227	PUSH-BUTTON,START (GREEN)	16JT8101107	->	->	->
228	PUSH-BUTTON,STOP (RED)	16JT8121107	->	->	->
229	INDICATOR LIGHT (WHITE)	16JT8121108	->	->	->
230	INDICATOR LIGHT (GREEN)	(3) 16JT8101108	(3) ->	(3) ->	(3) ->
231	COOLING FAN (DAYTON)	4C550/4C551/5C032	->	->	->
232	DOOR LATCH (EMKA, INC.)	1125-U206-01G	->	->	->
233	HANDLE,DISCONNECT (TELEMECANIQUE)	D115F4	->	->	->
234	TERM.BLOCK(TB2,TB3)(ALLEN BRADLEY)	1492-W4	->	->	->
235	TERM.BLOCK(TB1)(ALLEN BRADLEY)	1492-W6	->	->	->
236	MODULE (8 INPUT/OUTPUT)	(3) HK50AA006	(3) ->	(3) ->	(3) ->
237	CONNECTOR (18 PIN)	(3) HY84EE021	(3) ->	(3) ->	(3) ->
238	CONNECTOR (3 PIN)	HY84EE003	->	->	->
239	CONNECTOR (4 PIN)	(2) HY84EE004	(2) ->	(2) ->	(2) ->
240	FUSE BLOCK (FB6) (MARATHON)	F30A15P	->	->	->
241	TERMINAL BLOCK (TERM) (MARATHON)	208	->	->	->
242	CONNECTOR (9 POS.) (AMP)	(2) 350763-4	(2) ->	(2) ->	(2) ->
243	CONNECTOR (6 POS.) (AMP)	(2) 350762-4	(2) ->	(2) ->	(2) ->
MISCELLANEOUS GROUP					
244 N	FLOW SWITCH,DIFF PRESSURE 150 PSIG	HK062C033	->	->	->
245 N	FLOW SWITCH,DIFF PRESSURE 300 PSIG	HK062C001	->	->	->
246 N	TUBE CLEANING BRUSH (3/4" TUBES)	KC21AH105	->	->	->
247 N	LITH BROMIDE(30 GAL)NON-INHIBITED	PS16CP030	->	->	->
248 N	LITH BROMIDE(30 GAL)CHROMATE-INHIB.	PS25AL254	->	->	->
249 N	LITH BROMIDE(15 GAL)NON-INHIBITED	PS20BL260	->	->	->
250 N	LITH BROMIDE(15 GAL)CHROMATE-INHIB.	PS25AL251	->	->	->
251 N	LITH HYDROXIDE(TO ADJUST ALKY)	16JB032003	->	->	->
252 N	SAMPLE TEST BOTTLE	17M32231	->	->	->
253 N	INHIBITOR #2 (36 GRAM) LITH NITRATE	PV07C2036	->	->	->
254 N	INHIBITOR #2 (180 GRAM)LITH NITRATE	PV07C2180006	->	->	->
255 N	INHIBITOR #4 (4-1 GAL)LITH-CHROMATE	PS25FL251	->	->	->
256 N	LOCIITE WELD SEALANT	PE01LL021	->	->	->
257 N	GALLON CONTAINER (PURGE EVACUATION)	LF51MB001	->	->	->
258 N	PURGE EXHAUST TUBE	16HA0051949	->	->	->
259 N	PURGE EXHAUST CONNECTOR	KA70PP050	->	->	->
260 N	OCTHYL ALCOHOL	C01PP-5586	->	->	->
261 N	HYDROBROMIC ACID	SEE BULLETIN A9504	->	->	->
262 N	WELD LEAK SEALANT	19EA680002	->	->	->
263 N	TOUCH UP PAINT (GRAY) (SPRAY CAN)	PH23GH022	->	->	->
264 N	TOUCH UP PAINT (GRAY) (GALLON CAN)	PH23GH022G	->	->	->
265 N	COMPONENT B BLEND INHIBITOR(4 X IPT)	PS25AF258	->	->	->

PARTS LIST CATALOG

PARTS LIST PAGE: 006

CATALOG NO.: RCD-3516-005 REV. A
SUPERSEDES : RCD-3516-005 REV.

NOTE: SEE "CATALOG NOTES" ON LAST PAGE FOR EXPLANATION OF SYMBOLISM.



DOUBLE EFFECT HERMETIC
LIQUID ABSORPTION
CHILLER

16JT

SIZE: 810 880
SERIES: CMX/EBARA

ITM	PART DESCRIPTION	16JT818		16JT821		16JT824		16JT828	
		ALL		ALL		ALL		ALL	
GENERAL PARTS LIST									
1	GASKET, EVAPORATOR WATER BOX	(2)	16JT8106632	(2)	->	(2)	16JT8246632	(2)	->
2	GASKET, ABSORBER WATER BOX	(2)	16JT8106642	(2)	->	(2)	16JT8246642	(2)	->
3	GASKET, CONDENSER WATER BOX	(2)	16JT8166652	(2)	->	(2)	16JT8326652	(2)	->
4	VICTAULIC JOINT (W/B CROSSOVER)		X		X		X	(96)	16JA010386
5	RING GASKET (W/B CROSSOVER)		X		X		X	(30)	16JA010312
6	GENERATOR SOLUTION BOX GASKET	(2)	16JT8165162	(2)	->	(2)	16JT8325162	(2)	->
7	DIV PLT GASKET, 20" LG (EVAP/ABS/COND)		19XB680001		->		->		->
8	DIV PLATE GASKET (1ST STAGE GEN)	(2)	QR02SR116	(2)	->	(2)	->	(2)	->
9	TUBES, ABSORBER		206		242		279		319
10	TUBES, EVAPORATOR		189		219		247		289
11	TUBES, U HI-TEMP GEN G1 LONG/SHORT		30/16		32/19		44/14		46/19
12	TUBES, CONDENSER		134		160		172		200
13	TUBES, LO-TEMP GENERATOR G2		129		143		169		195
14	TUBES, HI-TEMP HEAT EXCHANGER H1		156		177		195		216
15	TUBES, LO-TEMP HEAT EXCHANGER H2	(111)	16JT857224	(124)	16JT857662	(150)	->	(163)	16JT828224
16	SPRAY NOZZLE, ABSORBER	(60)	16JA010386	(60)	->	(96)	16JA010-386	(96)	16JA010386
17	SPRAY NOZZLE, EVAPORATOR	(24)	16JA010312	(24)	->	(30)	->	(30)	->
18	SPRAY NOZZLE, GENERATOR G2	(48)	16JR805372	(48)	->	(56)	->	(56)	->
19A	O-RING, FIRST STAGE GEN. S/B (MEX.)	(46)	KK71EM010	(51)	->	(56)	->	(65)	->
19B	O-RING, FIRST STAGE GEN. S/B (EBARA)	(46)	C16JA01-00068	(51)	->	(58)	->	(65)	->
20A	GASKET, FLOAT BOX(LCD)(PSN WK#7 1996)		16JT8325402		->		->		->
20B	GASKET, FLOAT BOX(LCD)(SSN WK#7 1996)		16JT8325402		->		->		->
20C	GASKET, FLOAT BOX(LCD) (EBARA)		C16JS657-5422		->		->		->
21	REFRIG. LEVEL SWITCH, DISCRETE	(4)	16JT832424	(4)	->	(4)	->	(4)	->
22A	GASKET, REFRIG. LEVEL SWITCH (MEX.)		16JT8325712		->		->		->
22B	GASKET, REFRIG. LEVEL SWITCH (EBARA)		C16JS832-5712		->		->		->
23A	FLOAT VALVE ASY, LCD (MEX.)		16JT816574		->		16JT824574		->
23B	FLOAT VALVE ASY, LCD (EBARA)		C01PP-673921		->		C01PP-673922		->
24	FLOAT DISC (SST)		16JT8165733		->		16JT8245733		->
25	BUSHING HOUSING (SST)	(2)	16JT8105731	(2)	->	(2)	->	(2)	->
26	O-RING (MEX.)	(2)	16JT8105747	(2)	->	(2)	->	(2)	->
27	GASKET (SQUARE)	(3)	16JT8105726	(3)	->	(3)	->	(3)	->
28A	FLOAT BALL (MEX.)		16JT8101091		->		->		->
28B	FLOAT BALL (EBARA)		C01PP-57841		->		->		->
29	STRAIGH PIN (FLOAT BALL)(SST)	(2)	16JT8105737	(2)	->	(2)	->	(2)	->
30	ARM COLLAR (SST)	(2)	16JT8105734	(2)	->	(2)	->	(2)	->
31	TAPER PIN (SST)	(2)	16JT8105738	(2)	->	(2)	->	(2)	->
32	HOUSING SHIM (SST)	(2)	16JT8105732	(2)	->	(2)	->	(2)	->
33	HIGH LEVEL ELECTRODE, 1ST ST. GEN.		16JT660001		->		->		->
34	LOW LEVEL ELECTRODE, 1ST ST. GEN.		16JT660001		->		->		->
35	EDUCTOR		X		16JT605753		->		X
36	RUPTURE DISC ASY (CARBON)(W/GASKETS)		17Q4317		->		->		->
37	GASKET, RUPTURE DISC (CARBON)	(2)	CR90SZ002	(2)	->	(2)	->	(2)	->
38	DISC, RUPTURE (CARBON)		17Q4317		->		->		->
39	RUPTURE DISC ASY (METALIC)		16DF0322014		->		->		->
40	GASKET, RUPTURE DISC (METALIC)	(2)	CT992X501	(2)	->	(2)	->	(2)	->
41	STRAINER ASY (LVG LCD)		C01PP-60771		->		->		->
42	STRAINER ASY (3/4")		16JT810290		->		->		->
43	GASKET, DRAIN TRAP		16JT8101781		->		->		->
44	RING GASKET (2") (DRAIN TRAP PIPING)	(3)	CT996X4011A	(3)	->	(3)	->	(3)	->
45	RING GASKET (1") (DRAIN TRAP PIPING)	(2)	CT996X2511A	(2)	->	(2)	->	(2)	->
46	GLOBE VALVE (1") (DRAIN TRAP PIPING)		16JT8241188		->		->		->
47	STRAINER (1") (DRAIN TRAP PIPING)		16JT8102850		->		->		->
48	GROUND UNION 3/8" (DRAIN TRAP PIPING)		16JT8241187		->		->		->

PARTS LIST CATALOG

PARTS LIST PAGE: 007

CATALOG NO.: RCD-3516-005 REV. A
SUPERSEDES: RCD-3516-005 REV.

NOTE: SEE "CATALOG NOTES" ON LAST PAGE FOR EXPLANATION OF SYMBOLISM.



DOUBLE EFFECT HERMETIC
LIQUID ABSORPTION
CHILLER

16JT

SIZE: 810 880
SERIES: CMX/EBARA

ITM	PART DESCRIPTION	16JT818	16JT821	16JT824	16JT828
		ALL	ALL	ALL	ALL
GENERAL PARTS LIST					
49	GROUND UNION 1" (DRAIN TRAP PIPING)	CA85RA251	->	->	->
49A	HEAT EXCHANGER (DRAIN TRAP PIPING)	16JT824233	->	->	->
50A	FLOAT VALVE ASY,DRAIN TRAP (MEX.)	16JT810544	->	16JT824544	->
50B	FLOAT VALVE ASY,DRAIN TRAP (EBARA)	A16JS810C-558	->	A16JS824C-558	->
51	FLOAT GASKET	(2) 16JT8245066	(2) ->	(2) ->	(2) ->
52A	FLOAT BALL (MEX.)	16JT8101097	->	->	->
52B	FLOAT BALL (EBARA)	C01PP-6193	->	->	->
53	RELIEF PLUG	16JT8245071	->	->	->
54	STRAINER (SST)	16JT8245443	->	->	->
55	RETAINER WASHER	16JT8245442	->	->	->
56	TAPER PIN	(2) 16JT8241186	(2) ->	(2) ->	(2) ->
57	BUSHING (L=3/4)	16JT8245077	->	->	->
58	BUSHING (L=5/8)	16JT8245078	->	->	->
59	DIAPHRAGM VALVE, 1/2" (SCREWED)	(4) EF71CA181	(4) ->	(4) ->	(4) ->
60A	DIAPHRAGM REPLACEMENT (MEXICO)	EF792A181	->	->	->
60B	DIAPHRAGM REPLACEMENT (EBARA)	C01PP-61102	->	->	->
61	DIAPHRAGM VALVE, 1/2" (WELDED)	(3) 16JT8102472	(3) ->	(3) ->	(3) ->
62A	DIAPHRAGM REPLACEMENT (MEXICO)	16JT680024	->	->	->
62B	DIAPHRAGM REPLACEMENT (EBARA)	C01PP-61102	->	->	->
63	DIAPHRAGM VALVE, 3/4" (WELDED)	16JT8102475	->	->	->
64A	DIAPHRAGM REPLACEMENT (MEXICO)	16JT680025	->	->	->
64B	DIAPHRAGM REPLACEMENT (EBARA)	C01PP-61103	->	->	->
65	DIAPHRAGM VALVE 1" (WELDED)	16JT8102473	->	->	->
66A	DIAPHRAGM REPLACEMENT (MEXICO)	16JT680026	->	->	->
66B	DIAPHRAGM REPLACEMENT (EBARA)	C01PP-61104	->	->	->
67	DIAPHRAGM VALVE 1" (SCREWED)	EF71ZM006	->	->	->
68A	DIAPHRAGM REPLACEMENT (MEXICO)	EF792M006	->	->	->
68B	DIAPHRAGM REPLACEMENT (EBARA)	C01PP-61104	->	->	->
69	CHECK VALVE 1/2"	16DF07024051	->	->	->
70	CHECK VALVE 1"	16DF07024053	->	->	->
71	CHECK VALVE 1 1/2"	(2) 16DF07024055	(2) ->	(2) ->	(2) ->
72	CHECK VALVE 2"	16DF07024056	->	->	->
73	VALVE,SOLENOID (3/4")	16JT08010300	->	->	->
74	SOLENOID COIL (3/4")	16JT680035	->	->	->
75	SOLENOID VALVE REPAIR KIT (3/4")	16JT680034	->	->	->
76	VALVE,SOLENOID (1/2") (EBARA)	C01PP-57454	->	->	->
77A	GAUGE,COMPOUND (MEX.)	16DF04090062	->	->	->
77B	GAUGE,COMPOUND (EBARA)	C01PP-57421	->	->	->
78	SIGHT GLASS (EBARA)	C01PP-5751	->	->	->
79	GASKET,SIGHT GLASS (EBARA)	C01PP-57516	->	->	->
80	GASKET,SIGHT GLASS (EBARA)	C01PP-57515	->	->	->
PUMP GROUP					
81A	PUMP,REFRIGERANT (230/460-60HZ) (MEX)	16JT8101075	->	16JT8241075	->
81B	PUMP,REFRIGERANT (575-60HZ) (MEX.)	16JT8101075-1	->	16JT8241075-1	->
81C	PUMP,REFRIGERANT (380-60HZ) (MEX.)	16JT8101075-3	->	16JT8241075-3	->
82	MOTOR REPLACEMENT KIT	16JT660002	->	16JB660031	->
83	FRONT BEARING	16JT680010	->	16JT680011	->
84	DRIVE BEARING	16JT680010	->	16JT680011	->
85	MOTOR RING	16JT680018	->	KK09XC042	->
86	SPRING	16JT680014	->	(2) 16JT680015	(2) ->
87	CASING RING	16JT680018	->	KK09XD018	->
88	O-RING/GASKET	16JT680008	->	16JT680009	->
89A	IMPELLER (60HZ)	KK75XA601	->	KK75XA542	->
89B	IMPELLER (50HZ)	NOT AVAIL. AT REL.	->	->	->

PARTS LIST CATALOG

PARTS LIST PAGE: 008

CATALOG NO.: RCD-3516-005 REV. A
SUPERSEDES : RCD-3516-005 REV.

NOTE: SEE "CATALOG NOTES" ON LAST PAGE FOR EXPLANATION OF SYMBOLISM.



DOUBLE EFFECT HERMETIC
LIQUID ABSORPTION
CHILLER

16JT

SIZE: 810 880
SERIES: CMX/EBARA

ITM	PART DESCRIPTION	16JT818	16JT821	16JT824	16JT828
		ALL	ALL	ALL	ALL
PUMP GROUP					
90	IMPELLER KEY	16JT680021	->	16JT680022	->
91	IMPELLER LOCKING SCREW	KT592P031	->	->	->
92	IMPELLER WASHER	KT592P021	->	->	->
93	CLIP	16JT680013	->	N/A	->
94A	PUMP,SOLUTION (230/460-60HZ) (MEX.)	16JT8101076	->	16JT8241076	->
94B	PUMP,SOLUTION (575-60HZ) (MEX.)	16JT8101076-1	->	16JT8241076-1	->
94C	PUMP,SOLUTION (380-60HZ) (MEX.)	16JT8101076-3	->	16JT8241076-3	->
95	MOTOR REPLACEMENT KIT	16JT660003	->	->	->
96	FRONT BEARING	16JT680012	->	->	->
97	DRIVE BEARING	16JT680011	->	->	->
98	MOTOR RING	16JT680019	->	->	->
99	SPRING	16JT680016	->	->	->
100	CASING RING	KK09XC042	->	->	->
101	"O" RING	16JT680017	->	->	->
101A	IMPELLER (60HZ)	KK75XA544	->	KK75XA545	->
101B	IMPELLER (50HZ)	NOT AVAIL. AT REL.	->	->	->
102	IMPELLER KEY	16JT680007	->	->	->
103	IMPELLER LOCK SCREW	16JB680048	->	->	->
104	IMPELLER WASHER	16JB680044	->	->	->
105	CLIP	N/A	->	->	->
106A	PUMP,REFRIGERANT (208V-60HZ) (EBARA)	A16.JH012-236X1	->	A16.JH014-150X1	->
106B	PUMP,REFRIGERANT (460V-60HZ) (EBARA)	A16.JH012-245X1	->	A16.JH014-144X1	->
106C	PUMP,REFRIGERANT (480V-60HZ) (EBARA)	A16.JH012-246X1	->	A16.JH014-150X1	->
107	BEARING,RADIAL	(2) C16JH010-8222	(2) ->	(2) C16JA010-8222	(2) ->
108	BEARING,THRUST	(2) C16JH010-8212	(2) ->	(2) C16JA010-8212	(2) ->
109	COLLAR,THRUST	(2) C16JH012-8202	(2) ->	(2) C16JH014-8202	(2) ->
110	WEAR RING,PUMP CASING	C16JH010-8232	->	C16JA010-8232	->
111	WEAR RING,MOTOR SIDE	C16JH012-8232	->	C16JA012-8232	->
112	GASKET,CASING SIDE	C16JH010-8532	->	C16JA010-8532	->
113	GASKET,END COVER SIDE	C16JH010-9242	->	C16JA010-9242	->
114	LOCK NUT,IMPELLER	C16JH010-9222	->	C16JA010-9222	->
115	WASHER,IMPELLER	C16JH010-9232	->	C16JA010-9232	->
116	KEY,IMPELLER	C16JH010-9212	->	C16JA010-9212	->
117	O-RING	N/A	->	(2) C16JA010-8262	(2) ->
118A	PUMP,SOLUTION (208V-60HZ) (EBARA)	A16.JH028-121X1	->	A16.JH032-727X1	->
118B	PUMP,SOLUTION (460V-60HZ) (EBARA)	A16.JH028-145X1	->	A16.JH032-736X1	->
118C	PUMP,SOLUTION (480V-60HZ) (EBARA)	A16.JH028-151X1	->	A16.JH032-737X1	->
119	BEARING,RADIAL	(2) C16JA032-8222	(2) ->	(2) ->	(2) ->
120	BEARING,THRUST	(2) C16JA032-8212	(2) ->	(2) ->	(2) ->
121	COLLAR,THRUST	(2) C16JA032-8202	(2) ->	(2) ->	(2) ->
122	WEAR RING,PUMP CASING	C16JA032-8232	->	C16JH032-8232	->
123	WEAR RING,MOTOR SIDE	C16JA032-8232	->	->	->
124	GASKET,CASING SIDE	C16JA032-8532	->	C16JA097-8532	->
125	GASKET,END COVER SIDE	C16JA032-9242	->	->	->
126	LOCK NUT,IMPELLER	C16JA032-9222	->	->	->
127	WASHER,IMPELLER	C16JA032-9232	->	->	->
128	KEY,IMPELLER	C16JA032-9212	->	->	->
129	O-RING	(2) C16JA010-8262	(2) ->	(2) ->	(2) ->
130	VACUUM PUMP 10.6 CFM;230/460V-3 PH	16JT8248301	->	->	->
131	VACUUM PUMP 10.6 CFM;575V-3 PH	16JT8248302	->	->	->
132	VACUUM PUMP .9 CFM;230/460V-3 PH	16JT8248305	->	->	->
133	VACUUM PUMP .9 CFM;575V-3 PH	16JT8248306	->	->	->
134	FITTING,BARBED (3/4 NPT X 1/2 I.D)	16JT8577314	->	->	->
135	VACUUM TUBING 5'LG (CUT TO SUIT)	16JT8577334	->	->	->

PARTS LIST CATALOG

PARTS LIST PAGE: 009

CATALOG NO. : RCD-3516-005 REV. A
SUPERSEDES : RCD-3516-005 REV.

NOTE: SEE "CATALOG NOTES" ON LAST PAGE FOR EXPLANATION OF SYMBOLISM.



DOUBLE EFFECT HERMETIC
LIQUID ABSORPTION
CHILLER

16JT

SIZE: 810 880
SERIES: CMX/EBARA

ITM	PART DESCRIPTION	16JT818		16JT821		16JT824		16JT828	
		ALL		ALL		ALL		ALL	
PUMP GROUP									
136	CLAMP MECHANICAL CONTROLS GROUP	(2)	KA69JH928	(2)	->	(2)	->	(2)	->
137	SWITCH,LOW TEMP. (CHILLED WATER)		16JT8106656		->		->		->
138	SWITCH,HIGH TEMP. (HIGH TEMP. GEN.)		11B06-46		->		->		->
139	SWITCH,HIGH PRESS. (HIGH TEMP. GEN.)		16DF04090070		->		->		->
140 N	SWITCH,COOLING WATER DIF.		HK06ZC003		->		->		->
141 N	SWITCH,REED (12")		16JT8101090		->		->		->
142 N	SWITCH,REED (18")		16JT8321090		->		->		->
143 N	SWITCH,REED (20")		16JT8571090		->		->		->
144 N	SWITCH,REED (22")		16JT8801090		->		->		->
145 N	RTD, PT100 OHMS (EBARA)		CSP-N06591		->		->		->
146 N	THERMOSTAT,SOL. HI-TEMP. (EBARA)		C01PP-57491		->		->		->
147 N	THERMOSTAT,CHW. LO-TEMP. (EBARA)		CSP-M07431		->		->		->
148 N	THERMOSTAT,CYCLE GUARD (EBARA)		C01PP-58612		->		->		->
149 N	THERMISTER 3" (EBARA)		HH79NZ070		->		->		->
150 N	THERMISTER 8" (EBARA)		HH79NZ071		->		->		->
151 N	VACUUM SWITCH (EBARA)		C01PP-63401		->		->		->
152 N	FLOW SWITCH,CHILLED WATER (EBARA)		CSP-N07801		->		->		->
153	CONTROL BOX ASY (208/230-3-60)		16JT810701		->		->		->
154	CONTROL BOX ASY (460-3-60)		16JT810704		->		->		->
155	LEVEL CONTROL (WARRICK)		16JT680033		->		->		->
156	DISC. SWITCH (100A)(TELEMECANIQUE)		D10S3		->		->		->
157	FUSE KIT (30A) (TELEMECANIQUE)		D12E62		->		->		->
158	FUSE KIT (60A) (TELEMECANIQUE)		D12F63		->		->		->
159	CONTACTOR (PUMPS) (CUTLER-HAMMER)	(3)	C25DND325A	(3)	->	(3)	->	(3)	->
160	OVERLOAD DEVICE (PUMPS) (FURNAS)	(3)	48DC38AA45Z	(3)	->	(3)	->	(3)	->
161	CAPACITY CONTROLLER (HONEYWELL)		DC300K000321B0000		->		->		->
162	TRANSFORMER (HEVI-DUTY)		F550N		->		->		->
163	TRANSUDCER (TRIAD TECHNOLOGY)		UC-3800-4-4-0		->		->		->
164	AC/DC SONALERT (MALLORY/SONALERT)		SC-110-P		->		->		->
165	ELAPSED TIME METER (CARRIER-RCD)		19EA660035		->		->		->
166	"V" LAMP (SYLVANIA)	(8)	6S6 145V	(8)	->	(8)	->	(8)	->
167	2-POS. SELECT. SW. (ALLEN-BRADLEY)	(2)	800T-H2A	(2)	->	(2)	->	(2)	->
168	ON-DELAY TIMER (ATC)	(5)	339A20002X	(5)	->	(5)	->	(5)	->
169	RELAY,PLUG-IN (POTTER & BRUMFIELD)	(21)	16JT8101109	(21)	->	(21)	->	(21)	->
170	INDICATOR LIGHT BODY (DIALCO)	(8)	103-3101-05-4	(8)	->	(8)	->	(8)	->
171	RED LENS (DIALCO)	(4)	103-1211-403	(4)	->	(4)	->	(4)	->
172	GREEN LENS (DIALCO)	(2)	103-1212-403	(2)	->	(2)	->	(2)	->
173	AMBER LENS (DIALCO)		103-1213-403		->		->		->
174	WHITE LENS (DIALCO)		103-1235-403		->		->		->
175	HANDLE,DISCONNECT (TELEMECANIQUE)		D11SF10		->		->		->
176	RELAY SOCKET(3 POLE)(CUSTOM CONN.)	(21)	SL711	(21)	->	(21)	->	(21)	->
177	RELAY SOCKET(2 POLE)(CUSTOM CONN.)	(5)	SL608	(5)	->	(5)	->	(5)	->
178	REMOTE TEMP. DETECTOR (PYROMATION)		RIT185L48093-SL-601		->		->		->
179	THERMOWELL (PYROMATION)		1/2"-260L-U4-1/2-316		->		->		->
180	START BUTTON (GREEN)	(2)	16JT8101107	(2)	->	(2)	->	(2)	->
181	STOP BUTTON (RED)	(2)	16JT8121107	(2)	->	(2)	->	(2)	->
182	ALARM STOP-BUTTON (ALLEN-BRADLEY)		800T-A2D1		->		->		->
183	TERMINAL BLOCK (ALLEN-BRADLEY)		1492-CA2		->		->		->
PIC CONTROLS GROUP									
184	SWITCH,LOW TEMP. (CHILLED WATER)		16JT8106656		->		->		->
185	SWITCH,HIGH TEMP. (HIGH TEMP. GEN.)		11B06-46		->		->		->
186	SWITCH,HIGH PRESS. (HIGH TEMP. GEN.)		16DF04090070		->		->		->
187	SWITCH,COOLING WATER DIF.		HK06ZC003		->		->		->

PARTS LIST CATALOG

PARTS LIST PAGE: 010

CATALOG NO.: RCD-3516-005 REV. A
SUPERSEDES : RCD-3516-005 REV.

NOTE: SEE "CATALOG NOTES" ON LAST PAGE FOR EXPLANATION OF SYMBOLISM.



DOUBLE EFFECT HERMETIC
LIQUID ABSORPTION
CHILLER

16JT

SIZE: 810 880
SERIES: CMX/EBARA

ITM	PART DESCRIPTION	16JT818		16JT821		16JT824		16JT828	
		ALL	ALL	ALL	ALL	ALL	ALL	ALL	ALL
PIC CONTROLS GROUP									
188	THERMISTOR (5K)	(13)	HH79N2047	(13)	->	(13)	->	(13)	->
189	THERMISTOR (100K)	(5)	HH79N2070	(5)	->	(5)	->	(5)	->
190	CABLE ASY,TEMPERATURE SENSOR		HH79N2072		->		->		->
191	TRANSDUCER,LOW PRESSURE		HK05Y2004		->		->		->
192	TRANSDUCER,HIGH PRESSURE	(2)	HK05Y2002	(2)	->	(2)	->	(2)	->
193	CABLE ASY,HIGH/LOW PRESSURE		16JT810798		->		->		->
194	FLOAT SWITCH,ANALOG (12")		16JT810788		->		->		->
195	FLOAT SWITCH,ANALOG (18")		16JT810789		->		->		->
196	FLOAT SWITCH,ANALOG (20")		16JT810790		->		->		->
197	FLOAT SWITCH,DISCRETE	(3)	16JT832424	(3)	->	(3)	->	(3)	->
198	SWITCH,REED (12")		16JT8101090		->		->		->
199	SWITCH,REED (18")		16JT8321090		->		->		->
200	SWITCH,REED (20")		16JT8571090		->		->		->
201	SWITCH,REED (22")		16JT8801090		->		->		->
202	16JT PIC CONTROL PANEL DWG(REF.ONLY)		16JT810763		->		->		->
203	LID 2B		CES0130036		->		->		->
204	PSIO II		CEPL110189-02		->		->		->
205	CONTROLLER,PIC MODULE (FID)		16JT810720		->		->		->
206	TRANSFORMER(575/460/230 TO 110)(TR		16JT8101101		->		->		->
207	TRANSFORMER(110 TO 21)(TR1,TR2,TR3	(3)	HT01BD113	(3)	->	(3)	->	(3)	->
208	TRANSFORMER(110 TO 24)(TR5)		HT01AN235		->		->		->
209	TRANSFORMER(21 TO 5)(TR4)		HK35AA002		->		->		->
210	CIRCUIT BREAKER		HH83ZB001		->		->		->
211	RELAY BOARD,SIX PACK (RB1,RB2)		HK35AA001		->		->		->
212A	RELAY (CR1 - CR7) (PSN WK#6 1997)	(7)	16JT8101109	(7)	->	(7)	->	(7)	->
212B	RELAY (CR1 - CR7) (SSN WK#6 1997)	(7)	16JT8101102	(7)	->	(7)	->	(7)	->
213	RELAY,HIGH LEVEL		16JT680033		->		->		->
214	STARTER BLOCK(RP1,SP1,SP2,VP1)		16JT8101103		->		->		->
215A	FUSE (F1/SP1) (208/240-3-60)	(3)	LPJ-25	(3)	->	(3)	->	(3)	->
215B	FUSE (F1/SP1) (416/480-3-60)	(3)	LPJ-20	(3)	->	(3)	->	(3)	->
215C	FUSE (F1/SP1) (550/600-3-60)	(3)	LPJ-15	(3)	->	(3)	->	(3)	->
215D	FUSE (F1/SP1) (380-3-50)	(3)	LPJ-20	(3)	->	(3)	->	(3)	->
216A	FUSE (F2/SP2) (208/240-3-60)		X		X		X		X
216B	FUSE (F2/SP2) (416/480-3-60)		X		X		X		X
216C	FUSE (F2/SP2) (550/600-3-60)		X		X		X		X
216D	FUSE (F2/SP2) (380-3-50)		X		X		X		X
217A	FUSE (F3/RP1) (208/240-3-60)	(3)	LPJ-5	(3)	->	(3)	LPJ-25	(3)	->
217B	FUSE (F3/RP1) (416/480-3-60)	(3)	LPJ-5	(3)	->	(3)	LPJ-10	(3)	->
217C	FUSE (F3/RP1) (550/600-3-60)	(3)	LPJ-3	(3)	->	(3)	LPJ-10	(3)	->
217D	FUSE (F3/RP1) (380-3-50)	(3)	LPJ-5	(3)	->	(3)	LPJ-10	(3)	->
218A	FUSE (F5/VP1) (208/240-3-60)	(3)	LPJ-3	(3)	->	(3)	->	(3)	->
218B	FUSE (F5/VP1) (416/480-3-60)	(3)	LPJ-2	(3)	->	(3)	->	(3)	->
218C	FUSE (F5/VP1) (550/600-3-60)	(3)	LPJ-2	(3)	->	(3)	->	(3)	->
218D	FUSE (F5/VP1) (380-3-50)	(3)	LPJ-2	(3)	->	(3)	->	(3)	->
219A	FUSE (FB6) (208/240-3-60)		LPJ-5		->		->		->
219B	FUSE (FB6) (416/480-3-60)		LPJ-5		->		->		->
219C	FUSE (FB6) (550/600-3-60)		LPJ-5		->		->		->
219D	FUSE (FB6) (380-3-50)		LPJ-5		->		->		->
220	OVERLOAD RELAY	(4)	HN68JX003	(4)	->	(4)	->	(4)	->
221A	HEATER,OVERLOAD(OL1)(208/240-3-60)	(3)	HN71JC067	(3)	->	(3)	->	(3)	->
221B	HEATER,OVERLOAD(OL1)(416/480-3-60)	(3)	HN71JC054	(3)	->	(3)	->	(3)	->
221C	HEATER,OVERLOAD(OL1)(550/600-3-60)	(3)	HN71JC050	(3)	->	(3)	->	(3)	->
221D	HEATER,OVERLOAD(OL1)(380-3-50)	(3)	HN71JC054	(3)	->	(3)	->	(3)	->
222A	HEATER,OVERLOAD(OL2)(208/240-3-60)		X		X		X		X

PARTS LIST CATALOG

PARTS LIST PAGE: 011

CATALOG NO. : RCD-3516-005 REV. A
SUPERSEDES : RCD-3516-005 REV.

NOTE: SEE "CATALOG NOTES" ON LAST PAGE FOR EXPLANATION OF SYMBOLISH.



DOUBLE EFFECT HERMETIC
LIQUID ABSORPTION
CHILLER

16JT

SIZE: 810 880
SERIES: CMX/EBARA

ITM	PART DESCRIPTION	16JT818	16JT821	16JT824	16JT828
		ALL	ALL	ALL	ALL
PIC CONTROLS GROUP					
222B	HEATER,OVERLOAD(COL2)(416/480-3-60)	X	X	X	X
222C	HEATER,OVERLOAD(COL2)(550/600-3-60)	X	X	X	X
222D	HEATER,OVERLOAD(COL2)(380-3-50)	X	X	X	X
223A	HEATER,OVERLOAD(COL3)(208/240-3-60)	(3) HN71JC031	(3) ->	(3) HN71JC054	(3) ->
223B	HEATER,OVERLOAD(COL3)(416/480-3-60)	(3) HN71JC021	(3) ->	(3) HN71JC031	(3) ->
223C	HEATER,OVERLOAD(COL3)(550/600-3-60)	(3) HN71JC021	(3) ->	(3) HN71JC037	(3) ->
223D	HEATER,OVERLOAD(COL3)(380-3-50)	(3) HN71JC021	(3) ->	(3) HN71JC031	(3) ->
224A	HEATER,OVERLOAD(COL5)(208/240-3-60)	(3) HN71JC021	(3) ->	(3) ->	(3) ->
224B	HEATER,OVERLOAD(COL5)(416/480-3-60)	(3) HN71JC021	(3) ->	(3) ->	(3) ->
224C	HEATER,OVERLOAD(COL5)(550/600-3-60)	(3) HN71JC021	(3) ->	(3) ->	(3) ->
224D	HEATER,OVERLOAD(COL5)(380-3-50)	(3) HN71JC021	(3) ->	(3) ->	(3) ->
225	DISCONNECT,100 AMP (MDC)	16JT8101105	->	->	->
226	SWITCH,SELECTOR (AUTO/MANUAL)	16JT8101106	->	->	->
227	PUSH-BUTTON,START (GREEN)	16JT8101107	->	->	->
228	PUSH-BUTTON,STOP (RED)	16JT8121107	->	->	->
229	INDICATOR LIGHT (WHITE)	16JT8121108	->	->	->
230	INDICATOR LIGHT (GREEN)	(3) 16JT8101108	(3) ->	(3) ->	(3) ->
231	COOLING FAN (DAYTON)	4C550/4C551/5C032	->	->	->
232	DOOR LATCH (EMKA, INC.)	1125-U206-01G	->	->	->
233	HANDLE,DISCONNECT (TELEMECANIQUE)	D115F4	->	->	->
234	TERM.BLOCK(TB2,TB3)(ALLEN BRADLEY)	1492-W6	->	->	->
235	TERM.BLOCK(TB1)(ALLEN BRADLEY)	1492-W6	->	->	->
236	MODULE (8 INPUT/OUTPUT)	(3) HK50AA006	(3) ->	(3) ->	(3) ->
237	CONNECTOR (18 PIN)	(3) HY84EE021	(3) ->	(3) ->	(3) ->
238	CONNECTOR (3 PIN)	HY84EE003	->	->	->
239	CONNECTOR (4 PIN)	(2) HY84EE004	(2) ->	(2) ->	(2) ->
240	FUSE BLOCK (FB6) (MARATHON)	F30A15P	->	->	->
241	TERMINAL BLOCK (TERM) (MARATHON)	208	->	->	->
242	CONNECTOR (9 POS.) (AMP)	(2) 350763-4	(2) ->	(2) ->	(2) ->
243	CONNECTOR (6 POS.) (AMP)	(2) 350762-4	(2) ->	(2) ->	(2) ->
MISCELLANEOUS GROUP					
244 N	FLOW SWITCH,DIFF PRESSURE 150 PSIG	HK06ZC033	->	->	->
245 N	FLOW SWITCH,DIFF PRESSURE 300 PSIG	HK06ZC001	->	->	->
246 N	TUBE CLEANING BRUSH (3/4" TUBES)	KC21AH105	->	->	->
247 N	LITH BROMIDE(30 GAL)NON-INHIBITED	PS16CP030	->	->	->
248 N	LITH BROMIDE(30 GAL)CHROMATE-INHIB.	PS25AL254	->	->	->
249 N	LITH BROMIDE(15 GAL)NON-INHIBITED	PS20BL260	->	->	->
250 N	LITH BROMIDE(15 GAL)CHROMATE-INHIB.	PS25AL251	->	->	->
251 N	LITH HYDROXIDE(TD ADJUST ALKY)	16JB032003	->	->	->
252 N	SAMPLE TEST BOTTLE	17M32231	->	->	->
253 N	INHIBITOR #2 (36 GRAM) LITH NITRATE	PV07CZ036	->	->	->
254 N	INHIBITOR #2 (180 GRAM)LITH NITRATE	PV07CZ180006	->	->	->
255 N	INHIBITOR #4 (4-1 GAL)LITH-CHROMATE	PS25FL251	->	->	->
256 N	LOCTITE WELD SEALANT	PE01LL021	->	->	->
257 N	GALLON CONTAINER (PURGE EVACUATION)	LF51MB001	->	->	->
258 N	PURGE EXHAUST TUBE	16HA0051949	->	->	->
259 N	PURGE EXHAUST CONNECTOR	KA70PP050	->	->	->
260 N	OCTHYL ALCOHOL	C01PP-5586	->	->	->
261 N	HYDROBROMIC ACID	SEE BULLETIN A9504	->	->	->
262 N	WELD LEAK SEALANT	19EA680002	->	->	->
263 N	TOUCH UP PAINT (GRAY) (SPRAY CAN)	PH23GH022	->	->	->
264 N	TOUCH UP PAINT (GRAY) (GALLON CAN)	PH23GH022G	->	->	->
265 N	COMPONENT B BLEND INHIBITOR(4 X 1PT)	PS25AF258	->	->	->

PARTS LIST CATALOG

PARTS LIST PAGE: 012

CATALOG NO.: RCD-3516-005 REV. A
SUPERSEDES : RCD-3516-005 REV.

NOTE: SEE "CATALOG NOTES" ON LAST PAGE FOR EXPLANATION OF SYMBOLISM.



DOUBLE EFFECT HERMETIC
LIQUID ABSORPTION
CHILLER

16JT

SIZE: 810 880
SERIES: CMX/EBARA

ITM	PART DESCRIPTION	16JT832	16JT836	16JT841	16JT847
		ALL	ALL	ALL	ALL
GENERAL PARTS LIST					
1	GASKET, EVAPORATOR WATER BOX	(2) 16JT8246632	(2) ->	(2) 16JT8416632	(2) ->
2	GASKET, ABSORBER WATER BOX	(2) 16JT8246642	(2) ->	(2) 16JT8416642	(2) ->
3	GASKET, CONDENSER WATER BOX	(2) 16JT8326652	(2) ->	(2) 16JT8416652	(2) ->
4	VICTAULIC JOINT (W/B CROSSOVER)	X	X	X	X
5	RING GASKET (W/B CROSSOVER)	(2) CT99QX751	(2) ->	(2) CT99QX851	->
6	GENERATOR SOLUTION BOX GASKET	(2) 16JT8325162	(2) ->	->	(2) ->
7	DIV PLT GASKET, 20" LG (EVAP/ABS/COND)	19XB680001	->	->	->
8	DIV PLATE GASKET (1ST STAGE GEN)	(2) QR02SR116	(2) ->	(2) ->	(2) ->
9	TUBES, ABSORBER	279	319	351	393
10	TUBES, EVAPORATOR	247	289	323	356
11	TUBES, U HI-TEMP GEN G1 LONG/SHORT	46/19	->	56/19	60/23
12	TUBES, CONDENSER	137	157	177	195
13	TUBES, LO-TEMP GENERATOR G2	135	154	175	192
14	TUBES, HI-TEMP HEAT EXCHANGER H1	249	294	339	384
15	TUBES, LO-TEMP HEAT EXCHANGER H2	(189) 16JT832662	(189) ->	(241) ->	(241) ->
16	SPRAY NOZZLE, ABSORBER	(132) 16JA010312	(132) ->	(165) ->	(165) ->
17	SPRAY NOZZLE, EVAPORATOR	(40) 16JA010312	(40) ->	(40) ->	(40) ->
18	SPRAY NOZZLE, GENERATOR G2	(80) 16JR805372	(80) ->	(100) ->	(100) ->
19A	O-RING, FIRST STAGE GEN. S/B (MEX.)	(56) KK71EM010	(65) ->	(75) ->	(83) ->
19B	O-RING, FIRST STAGE GEN. S/B (EBARA)	(58) C16JA01-00068	(65) ->	(75) ->	(83) ->
20A	GASKET, FLOAT BOX (LCD) (PSN WK#7 1996)	16JT8325402	->	16JT8575402	->
20B	GASKET, FLOAT BOX (LCD) (SSN WK#7 1996)	16JT8325402	->	->	->
20C	GASKET, FLOAT BOX (LCD) (EBARA)	C16JS657-5422	->	->	->
21	REFRIG. LEVEL SWITCH, DISCRETE	(4) 16JT832424	(4) ->	(4) ->	(4) ->
22A	GASKET, REFRIG. LEVEL SWITCH (MEX.)	16JT8325712	->	->	->
22B	GASKET, REFRIG. LEVEL SWITCH (EBARA)	C16JS832-5712	->	->	->
23A	FLOAT VALVE ASY, LCD (MEX.)	16JT832574	->	16JT873574	->
23B	FLOAT VALVE ASY, LCD (EBARA)	C01PP-673923	->	->	->
24	FLOAT DISC (SST)	16JT8325733	->	16JT8735733	->
25	BUSHING HOUSING (SST)	(2) 16JT8105731	(2) ->	(2) 16JT8575731	(2) ->
26	O-RING (MEX.)	(2) 16JT8105747	(2) ->	(2) ->	(2) ->
27	GASKET (SQUARE)	(3) 16JT8105726	(3) ->	(3) 16JT8575726	(3) ->
28A	FLOAT BALL (MEX.)	16JT8101091	->	->	->
28B	FLOAT BALL (EBARA)	C01PP-57841	->	->	->
29	STRAIGHT PIN (FLOAT BALL) (SST)	(2) 16JT8105737	(2) ->	(2) 16JT8575737	(2) ->
30	ARM COLLAR (SST)	(2) 16JT8105734	(2) ->	(2) 16JT8575734	(2) ->
31	TAPER PIN (SST)	(2) 16JT8105738	(2) ->	(2) 16JT8575738	(2) ->
32	HOUSING SHIM (SST)	(2) 16JT8105732	(2) ->	(2) 16JT8575732	(2) ->
33	HIGH LEVEL ELECTRODE, 1ST ST. GEN.	16JT660001	->	->	->
34	LOW LEVEL ELECTRODE, 1ST ST. GEN.	16JT660001	->	->	->
35	EDUCTOR	16JT605753	->	->	->
36	RUPTURE DISC ASY (CARBON) (W/GASKETS)	17Q4317	->	->	->
37	GASKET, RUPTURE DISC (CARBON)	(2) CR90S2002	(2) ->	(2) ->	(2) ->
38	DISC, RUPTURE (CARBON)	17Q4317	->	->	->
39	RUPTURE DISC ASY (METALIC)	16DF0322014	->	->	->
40	GASKET, RUPTURE DISC (METALIC)	(2) CT992X501	(2) ->	(2) ->	(2) ->
41	STRAINER ASY (LVG LCD)	C01PP-60771	->	->	->
42	STRAINER ASY (3/4")	16JT810290	->	->	->
43	GASKET, DRAIN TRAP	16JT8101781	->	->	->
44	RING GASKET (2") (DRAIN TRAP PIPING)	(3) CT996X4011A	(3) ->	(3) ->	(3) ->
45	RING GASKET (1") (DRAIN TRAP PIPING)	(2) CT996X2511A	(2) ->	(2) ->	(2) ->
46	GLOBE VALVE (1") (DRAIN TRAP PIPING)	16JT8241188	->	->	->
47	STRAINER (1") (DRAIN TRAP PIPING)	16JT8102850	->	->	->
48	GROUND UNION 3/8" (DRAIN TRAP PIPING)	16JT8241187	->	->	->

PARTS LIST CATALOG

PARTS LIST PAGE: 013

CATALOG NO.: RCD-3516-005 REV. A
SUPERSEDES : RCD-3516-005 REV.

NOTE: SEE "CATALOG NOTES" ON LAST PAGE FOR EXPLANATION OF SYMBOLISM.



DOUBLE EFFECT HERMETIC
LIQUID ABSORPTION
CHILLER

16JT

SIZE: 810 880
SERIES: CMX/EBARA

ITM	PART DESCRIPTION	16JT832	16JT836	16JT841	16JT847
		ALL	ALL	ALL	ALL
GENERAL PARTS LIST					
49	GROUND UNION 1" (DRAIN TRAP PIPING)	CA85RA251	->	->	->
49A	HEAT EXCHANGER (DRAIN TRAP PIPING)	16JT832233	->	16JT841233	->
50A	FLOAT VALVE ASY,DRAIN TRAP (MEX.)	16JT824544	->	->	->
50B	FLOAT VALVE ASY,DRAIN TRAP (EBARA)	A16JS824C-558	->	->	A16JS847C-558
51	FLOAT GASKET	(2) 16JT8245066	(2) ->	(2) ->	(2) ->
52A	FLOAT BALL (MEX.)	16JT8101097	->	->	->
52B	FLOAT BALL (EBARA)	C01PP-6193	->	->	->
53	RELIEF PLUG	16JT8245071	->	->	->
54	STRAINER (SST)	16JT8245443	->	->	->
55	RETAINER WASHER	16JT8245442	->	->	->
56	TAPER PIN	(2) 16JT8241186	(2) ->	(2) ->	(2) ->
57	BUSHING (L=3/4)	16JT8245077	->	->	->
58	BUSHING (L=5/8)	16JT8245078	->	->	->
59	DIAPHRAGM VALVE, 1/2" (SCREWED)	(2) EF71CA181	(2) ->	->	->
60A	DIAPHRAGM REPLACEMENT (MEXICO)	EF792A181	->	->	->
60B	DIAPHRAGM REPLACEMENT (EBARA)	C01PP-61102	->	->	->
61	DIAPHRAGM VALVE, 1/2" (WELDED)	(3) 16JT8102472	(2) ->	(2) ->	(2) ->
62A	DIAPHRAGM REPLACEMENT (MEXICO)	16JT680024	->	->	->
62B	DIAPHRAGM REPLACEMENT (EBARA)	C01PP-61102	->	->	->
63	DIAPHRAGM VALVE, 3/4" (WELDED)	16JT8102475	->	->	->
64A	DIAPHRAGM REPLACEMENT (MEXICO)	16JT680025	->	->	->
64B	DIAPHRAGM REPLACEMENT (EBARA)	C01PP-61103	->	->	->
65	DIAPHRAGM VALVE 1" (WELDED)	16JT8102473	->	->	->
66A	DIAPHRAGM REPLACEMENT (MEXICO)	16JT680026	->	->	->
66B	DIAPHRAGM REPLACEMENT (EBARA)	C01PP-61104	->	->	->
67	DIAPHRAGM VALVE 1" (SCREWED)	EF71ZM006	->	->	->
68A	DIAPHRAGM REPLACEMENT (MEXICO)	EF792M006	->	->	->
68B	DIAPHRAGM REPLACEMENT (EBARA)	C01PP-61104	->	->	->
69	CHECK VALVE 1/2"	16DF07024051	->	->	->
70	CHECK VALVE 1"	16DF07024053	->	->	->
71	CHECK VALVE 1 1/2"	(2) 16DF07024055	(2) ->	(2) ->	(2) ->
72	CHECK VALVE 2"	16DF07024056	->	->	->
73	VALVE,SOLENOID (3/4")	16JT08010500	->	->	->
74 N	SOLENOID COIL (3/4")	16JT680035	->	->	->
75 N	SOLENOID VALVE REPAIR KIT (3/4")	16JT680034	->	->	->
76	VALVE,SOLENOID (1/2") (EBARA)	C01PP-57454	->	->	->
77A	GAUGE,COMPOUND (MEX.)	16DF04090062	->	->	->
77B	GAUGE,COMPOUND (EBARA)	C01PP-57421	->	->	->
78	SIGHT GLASS (EBARA)	C01PP-5751	->	->	->
79	GASKET,SIGHT GLASS (EBARA)	C01PP-57516	->	->	->
80	GASKET,SIGHT GLASS (EBARA)	C01PP-57515	->	->	->
PUMP GROUP					
81A	PUMP,REFRIGERANT (230/460-60HZ) (MEX)	16JT8241075	->	->	->
81B	PUMP,REFRIGERANT (575-60HZ) (MEX.)	16JT8241075-1	->	->	->
81C	PUMP,REFRIGERANT (380-60HZ) (MEX.)	16JT8241075-3	->	->	->
82	MOTOR REPLACEMENT KIT	16JB660031	->	->	->
83	FRONT BEARING	16JT680011	->	->	->
84	DRIVE BEARING	16JT680011	->	->	->
85	MOTOR RING	KK09XC042	->	->	->
86	SPRING	(2) 16JT680015	(2) ->	(2) ->	(2) ->
87	CASING RING	KK09XD018	->	->	->
88	O-RING/GASKET	16JT680009	->	->	->
89A	IMPELLER (60HZ)	KK75XA542	->	->	->
89B	IMPELLER (50HZ)	NOT AVAIL. AT REL.	->	->	->

PARTS LIST CATALOG

PARTS LIST PAGE: 014

CATALOG NO.: RCD-3516-005 REV. A
SUPERSEDES : RCD-3516-005 REV.

NOTE: SEE "CATALOG NOTES" ON LAST PAGE FOR EXPLANATION OF SYMBOLISM.



DOUBLE EFFECT HERMETIC
LIQUID ABSORPTION
CHILLER

16JT

SIZE: 810 880
SERIES: CMX/EBARA

ITM	PART DESCRIPTION	16JT832	16JT836	16JT841	16JT847
		ALL	ALL	ALL	ALL
PUMP GROUP					
90	IMPELLER KEY	16JT680022	->	->	->
91	IMPELLER LOCKING SCREW	KT592P031	->	->	->
92	IMPELLER WASHER	KT592P021	->	->	->
93	CLIP	N/A	->	->	->
94A	PUMP,SOLUTION (230/460-60HZ) (MEX.)	16JT8321076	->	->	16JT8471076
94B	PUMP,SOLUTION (575-60HZ) (MEX.)	16JT8321076-1	->	->	16JT8471076-1
94C	PUMP,SOLUTION (380-60HZ) (MEX.)	16JT8321076-3	->	->	16JT8471076-3
95	MOTOR REPLACEMENT KIT	16JT660003	->	->	16JT660004
96	FRONT BEARING	16JT680012	->	->	->
97	DRIVE BEARING	16JT680011	->	->	->
98	MOTOR RING	16JT680019	->	->	16JT680020
99	SPRING	16JT680016	->	->	->
100	CASING RING	KK09XC042	->	->	KK09XD015
101	"O" RING	16JT680017	->	->	->
101A	IMPELLER (60HZ)	KK75XA545	->	->	KK75XA594
101B	IMPELLER (50HZ)	NOT AVAIL. AT REL.	->	->	->
102	IMPELLER KEY	16JT680007	->	->	->
103	IMPELLER LOCK SCREW	16JB680048	->	->	->
104	IMPELLER WASHER	16JB680044	->	->	->
105	CLIP	N/A	->	->	->
106A	PUMP,REFRIGERANT (208V-60HZ) (EBARA)	A16.JH014-150X1	->	->	->
106B	PUMP,REFRIGERANT (460V-60HZ) (EBARA)	A16.JH014-144X1	->	->	->
106C	PUMP,REFRIGERANT (480V-60HZ) (EBARA)	A16.JH014-150X1	->	->	->
107	BEARING,RADIAL	(2) C16JA010-8222	(2) ->	(2) ->	(2) ->
108	BEARING,THRUST	(2) C16JA010-8212	(2) ->	(2) ->	(2) ->
109	COLLAR,THRUST	(2) C16JH014-8202	(2) ->	(2) ->	(2) ->
110	WEAR RING,PUMP CASING	C16JA010-8232	->	->	->
111	WEAR RING,MOTOR SIDE	C16JA012-8232	->	->	->
112	GASKET,CASING SIDE	C16JA010-8532	->	->	->
113	GASKET,END COVER SIDE	C16JA010-9242	->	->	->
114	LOCK NUT,IMPELLER	C16JA010-9222	->	->	->
115	WASHER,IMPELLER	C16JA010-9232	->	->	->
116	KEY,IMPELLER	C16JA010-9212	->	->	->
117	O-RING	(2) C16JA010-8262	(2) ->	(2) ->	(2) ->
118A	PUMP,SOLUTION (208V-60HZ) (EBARA)	A16.JH032-727X1	->	->	A16.JH041-727X1
118B	PUMP,SOLUTION (460V-60HZ) (EBARA)	A16.JH032-736X1	->	->	A16.JH041-736X1
118C	PUMP,SOLUTION (480V-60HZ) (EBARA)	A16.JH032-737X1	->	->	A16.JH041-737X1
119	BEARING,RADIAL	(2) C16JA032-8222	(2) ->	(2) ->	(2) C16JA097-8222
120	BEARING,THRUST	(2) C16JA032-8212	(2) ->	(2) ->	(2) C16JA097-8212
121	COLLAR,THRUST	(2) C16JA032-8202	(2) ->	(2) ->	(2) C16JA097-8202
122	WEAR RING,PUMP CASING	C16JH032-8232	->	->	C16JA032-8232
123	WEAR RING,MOTOR SIDE	C16JA032-8232	->	->	C16.JH041-8232
124	GASKET,CASING SIDE	C16JA097-8532	->	->	->
125	GASKET,END COVER SIDE	C16JA032-9242	->	->	C16JA097-9242
126	LOCK NUT,IMPELLER	C16JA032-9222	->	->	->
127	WASHER,IMPELLER	C16JA032-9232	->	->	->
128	KEY,IMPELLER	C16JA032-9212	->	->	->
129	O-RING	(2) C16JA010-8262	(2) ->	(2) ->	(2) ->
130	VACUUM PUMP 10.6 CFM;230/460V-3 PH	16JT8248301	->	->	->
131	VACUUM PUMP 10.6 CFM;575V-3 PH	16JT8248302	->	->	->
132	VACUUM PUMP .9 CFM;230/460V-3 PH	16JT8248305	->	->	->
133	VACUUM PUMP .9 CFM;575V-3 PH	16JT8248306	->	->	->
134	FITTING,BARBED (3/4 NPT X 1/2 I.D.)	16JT8577314	->	->	->
135	VACUUM TUBING 5"LG (CUT TO SUIT)	16JT8577334	->	->	->

PARTS LIST CATALOG

PARTS LIST PAGE: 015

CATALOG NO.: RCD-3516-005 REV. A
SUPERSEDES : RCD-3516-005 REV.

NOTE: SEE "CATALOG NOTES" ON LAST PAGE FOR EXPLANATION OF SYMBOLISM.



DOUBLE EFFECT HERMETIC
LIQUID ABSORPTION
CHILLER

16JT

SIZE: 810 880
SERIES: CMX/EBARA

ITM	PART DESCRIPTION	16JT832		16JT836		16JT841		16JT847	
		ALL		ALL		ALL		ALL	
PUMP GROUP									
136	CLAMP	(2)	KA69JM828	(2)	->	(2)	->	(2)	->
MECHANICAL CONTROLS GROUP									
137	SWITCH,LOW TEMP. (CHILLED WATER)		16JT8106656		->		->		->
138	SWITCH,HIGH TEMP. (HIGH TEMP. GEN.)		11B06-46		->		->		->
139	SWITCH,HIGH PRESS. (HIGH TEMP. GEN.)		16DF04090070		->		->		->
140 N	SWITCH,COOLING WATER DIF.		HK06ZC005		->		->		->
141 N	SWITCH,REED (12")		16JT8101090		->		->		->
142 N	SWITCH,REED (18")		16JT8321090		->		->		->
143 N	SWITCH,REED (20")		16JT8571090		->		->		->
144 N	SWITCH,REED (22")		16JT8801090		->		->		->
145 N	RTD, PT100 OHMS (EBARA)		CSP-N06591		->		->		->
146 N	THERMOSTAT,SOL. HI-TEMP. (EBARA)		C01PP-57491		->		->		->
147 N	THERMOSTAT,CHM. LO-TEMP. (EBARA)		CSP-M07431		->		->		->
148 N	THERMOSTAT,CYCLE GUARD (EBARA)		C01PP-58612		->		->		->
149 N	THERMISTER 3" (EBARA)		HH79NZ070		->		->		->
150 N	THERMISTER 8" (EBARA)		HH79NZ071		->		->		->
151 N	VACUUM SWITCH (EBARA)		C01PP-63401		->		->		->
152 N	FLOW SWITCH,CHILLED WATER (EBARA)		CSP-N07801		->		->		->
153	CONTROL BOX ASY (208/230-3-60)		16JT810701		->		->		->
154	CONTROL BOX ASY (460-3-60)		16JT810704		->		->		->
155	LEVEL CONTROL (HARRICK)		16JT680033		->		->		->
156	DISC. SWITCH (100A)(TELEMECANIQUE)		D10S3		->		->		->
157	FUSE KIT (30A) (TELEMECANIQUE)		D12F62		->		->		->
158	FUSE KIT (60A) (TELEMECANIQUE)		D12F63		->		->		->
159	CONTACTOR (PUMPS) (CUTLER-HAMMER)	(3)	C25DND325A	(3)	->	(3)	->	(3)	->
160	OVERLOAD DEVICE (PUMPS) (FURNAS)	(3)	48DC38AA45Z	(3)	->	(3)	->	(3)	->
161	CAPACITY CONTROLLER (HONEYWELL)		DC300K000321B0000		->		->		->
162	TRANSFORMER (HEVI-DUTY)		F550N		->		->		->
163	TRANSDUCER (TRIAD TECHNOLOGY)		UC-3800-4-4-0		->		->		->
164	AC/DC SONALERT (MALLORY/SONALERT)		SC-110-P		->		->		->
165	ELAPSED TIME METER (CARRIER-RCD)		19FA660035		->		->		->
166	"V" LAMP (SYLVANIA)	(8)	6S6 145V	(8)	->	(8)	->	(8)	->
167	2-POS. SELECT. SW. (ALLEN-BRADLEY)	(2)	800T-H2A	(2)	->	(2)	->	(2)	->
168	ON-DELAY TIMER (ATC)	(5)	339A200Q2X	(5)	->	(5)	->	(5)	->
169	RELAY,PLUG-IN (POTTER & BRUMFIELD)	(21)	16JT8101109	(21)	->	(21)	->	(21)	->
170	INDICATOR LIGHT BODY (DIALCO)	(8)	103-3101-05-4	(8)	->	(8)	->	(8)	->
171	RED LENS (DIALCO)	(4)	103-1211-403	(4)	->	(4)	->	(4)	->
172	GREEN LENS (DIALCO)	(2)	103-1212-403	(2)	->	(2)	->	(2)	->
173	AMBER LENS (DIALCO)		103-1213-403		->		->		->
174	WHITE LENS (DIALCO)		103-1235-403		->		->		->
175	HANDLE,DISCONNECT (TELEMECANIQUE)		D11SF10		->		->		->
176	RELAY SOCKET(3 POLE)(CUSTOM CONN.)	(21)	SL711	(21)	->	(21)	->	(21)	->
177	RELAY SOCKET(2 POLE)(CUSTOM CONN.)	(5)	SL608	(5)	->	(5)	->	(5)	->
178	REMOTE TEMP. DETECTOR (PYROMATION)		RIT185L48093-SL-601		->		->		->
179	THERMOWELL (PYROMATION)		1/2"-260L-U4-1/2-316		->		->		->
180	START BUTTON (GREEN)	(2)	16JT8101107	(2)	->	(2)	->	(2)	->
181	STOP BUTTON (RED)	(2)	16JT8121107	(2)	->	(2)	->	(2)	->
182	ALARM STOP-BUTTON (ALLEN-BRADLEY)		800T-A2D1		->		->		->
183	TERMINAL BLOCK (ALLEN-BRADLEY)		1492-CA2		->		->		->
PIC CONTROLS GROUP									
184	SWITCH,LOW TEMP. (CHILLED WATER)		16JT8106656		->		->		->
185	SWITCH,HIGH TEMP. (HIGH TEMP. GEN.)		11B06-46		->		->		->
186	SWITCH,HIGH PRESS. (HIGH TEMP. GEN.)		16DF04090070		->		->		->
187	SWITCH,COOLING WATER DIF.		HK06ZC005		->		->		->



DOUBLE EFFECT HERMETIC
LIQUID ABSORPTION
CHILLER

16JT

SIZE: 810 880
SERIES: CMX/EBARA

ITM	PART DESCRIPTION	16JT832		16JT836		16JT841		16JT847	
		ALL		ALL		ALL		ALL	
PIC CONTROLS GROUP									
188	THERMISTOR (5K)	(13)	HH79NZ047	(13)	->	(13)	->	(13)	->
189	THERMISTOR (100K)	(5)	HH79NZ070	(5)	->	(5)	->	(5)	->
190	CABLE ASY,TEMPERATURE SENSOR		HH79NZ072		->		->		->
191	TRANSDUCER,LOW PRESSURE		HK05YZ004		->		->		->
192	TRANSDUCER,HIGH PRESSURE	(2)	HK05YZ002	(2)	->	(2)	->	(2)	->
193	CABLE ASY,HIGH/LOW PRESSURE		16JT810798		->		->		->
194	FLOAT SWITCH,ANALOG (12")		16JT810788		->		->		->
195	FLOAT SWITCH,ANALOG (18")		16JT810789		->		->		->
196	FLOAT SWITCH,ANALOG (20")		16JT810790		->		->		->
197	FLOAT SWITCH,DISCRETE	(3)	16JT832424	(3)	->	(3)	->	(3)	->
198	SWITCH,REED (12")		16JT8101090		->		->		->
199	SWITCH,REED (18")		16JT8321090		->		->		->
200	SWITCH,REED (20")		16JT8571090		->		->		->
201	SWITCH,REED (22")		16JT8801090		->		->		->
202	16JT PIC CONTROL PANEL DWG(REF.ONLY)		16JT810763		->		->		->
203	LID 2B		CES0130036		->		->		->
204	PSIO II		CEPL110189-02		->		->		->
205	CONTROLLER,PIC MODULE (FID)		16JT810720		->		->		->
206	TRANSFORMER(575/460/230 TO 110)(TR		16JT8101101		->		->		->
207	TRANSFORMER(110 TO 21)(TR1,TR2,TR3	(3)	HT01BD113	(3)	->	(3)	->	(3)	->
208	TRANSFORMER(110 TO 24)(TR5)		HT01AW235		->		->		->
209	TRANSFORMER(21 TO 5)(TR4)		HK35AA002		->		->		->
210	CIRCUIT BREAKER		HH83ZB001		->		->		->
211	RELAY BOARD,SIX PACK (RB1,RB2)		HK35AA001		->		->		->
212A	RELAY (CR1 - CR7) (PSN NK#6 1997)	(7)	16JT8101109	(7)	->	(7)	->	(7)	->
212B	RELAY (CR1 - CR7) (SSN NK#6 1997)	(7)	16JT8101102	(7)	->	(7)	->	(7)	->
213	RELAY,HIGH LEVEL		16JT680033		->		->		->
214	STARTER BLOCK(RP1,SP1,SP2,VP1)		16JT8101103		->		->		->
215A	FUSE (F1/SP1) (208/240-3-60)	(3)	LPJ-45	(3)	->	(3)	->	(3)	LPJ-50
215B	FUSE (F1/SP1) (416/480-3-60)	(3)	LPJ-20	(3)	->	(3)	->	(3)	LPJ-25
215C	FUSE (F1/SP1) (550/600-3-60)	(3)	LPJ-15	(3)	->	(3)	->	(3)	LPJ-20
215D	FUSE (F1/SP1) (380-3-50)	(3)	LPJ-20	(3)	->	(3)	->	(3)	LPJ-25
216A	FUSE (F2/SP2) (208/240-3-60)		X		X		X		X
216B	FUSE (F2/SP2) (416/480-3-60)		X		X		X		X
216C	FUSE (F2/SP2) (550/600-3-60)		X		X		X		X
216D	FUSE (F2/SP2) (380-3-50)		X		X		X		X
217A	FUSE (F3/RP1) (208/240-3-60)	(3)	LPJ-25	(3)	->	(3)	->	(3)	->
217B	FUSE (F3/RP1) (416/480-3-60)	(3)	LPJ-10	(3)	->	(3)	->	(3)	->
217C	FUSE (F3/RP1) (550/600-3-60)	(3)	LPJ-10	(3)	->	(3)	->	(3)	->
217D	FUSE (F3/RP1) (380-3-50)	(3)	LPJ-10	(3)	->	(3)	->	(3)	->
218A	FUSE (F5/VP1) (208/240-3-60)	(3)	LPJ-3	(3)	->	(3)	->	(3)	->
218B	FUSE (F5/VP1) (416/480-3-60)	(3)	LPJ-2	(3)	->	(3)	->	(3)	->
218C	FUSE (F5/VP1) (550/600-3-60)	(3)	LPJ-2	(3)	->	(3)	->	(3)	->
218D	FUSE (F5/VP1) (380-3-50)	(3)	LPJ-2	(3)	->	(3)	->	(3)	->
219A	FUSE (FB6) (208/240-3-60)		LPJ-5		->		->		->
219B	FUSE (FB6) (416/480-3-60)		LPJ-5		->		->		->
219C	FUSE (FB6) (550/600-3-60)		LPJ-5		->		->		->
219D	FUSE (FB6) (380-3-50)		LPJ-5		->		->		->
220	OVERLOAD RELAY	(4)	HN68JX003	(4)	->	(4)	->	(4)	->
221A	HEATER,OVERLOAD(COL1)(208/240-3-60)	(3)	HN71JC067	(3)	->	(3)	->	(3)	HN71JC069
221B	HEATER,OVERLOAD(COL1)(416/480-3-60)	(3)	HN71JC054	(3)	->	(3)	->	(3)	HN71JC055
221C	HEATER,OVERLOAD(COL1)(550/600-3-60)	(3)	HN71JC050	(3)	->	(3)	->	(3)	HN71JC052
221D	HEATER,OVERLOAD(COL1)(380-3-50)	(3)	HN71JC054	(3)	->	(3)	->	(3)	HN71JC055
222A	HEATER,OVERLOAD(COL2)(208/240-3-60)		X		X		X		X

PARTS LIST CATALOG

PARTS LIST PAGE: 017

CATALOG NO. : RCD-3516-005 REV. A
SUPERSEDES : RCD-3516-005 REV.

NOTE: SEE "CATALOG NOTES" ON LAST PAGE FOR EXPLANATION OF SYMBOLISM.



DOUBLE EFFECT HERMETIC
LIQUID ABSORPTION
CHILLER

16JT

SIZE: 810 880
SERIES: CMX/EBARA

ITM	PART DESCRIPTION	16JT832	16JT836	16JT841	16JT847
		ALL	ALL	ALL	ALL
PIC CONTROLS GROUP					
222B	HEATER,OVERLOAD(OL2)(416/480-3-60)	X	X	X	X
222C	HEATER,OVERLOAD(OL2)(550/600-3-60)	X	X	X	X
222D	HEATER,OVERLOAD(OL2)(380-3-50)	X	X	X	X
223A	HEATER,OVERLOAD(OL3)(208/240-3-60)	(3) HN71JC054	(3) ->	(3) ->	(3) ->
223B	HEATER,OVERLOAD(OL3)(416/480-3-60)	(3) HN71JC031	(3) ->	(3) ->	(3) HN71JC041
223C	HEATER,OVERLOAD(OL3)(550/600-3-60)	(3) HN71JC037	(3) ->	(3) ->	(3) ->
223D	HEATER,OVERLOAD(OL3)(380-3-50)	(3) HN71JC031	(3) ->	(3) ->	(3) HN71JC041
224A	HEATER,OVERLOAD(OL5)(208/240-3-60)	(3) HN71JC021	(3) ->	(3) ->	(3) ->
224B	HEATER,OVERLOAD(OL5)(416/480-3-60)	(3) HN71JC021	(3) ->	(3) ->	(3) ->
224C	HEATER,OVERLOAD(OL5)(550/600-3-60)	(3) HN71JC021	(3) ->	(3) ->	(3) ->
224D	HEATER,OVERLOAD(OL5)(380-3-50)	(3) HN71JC021	(3) ->	(3) ->	(3) ->
225	DISCONNECT,100 AMP (MDC)	16JT8101105	->	->	->
226	SWITCH,SELECTOR (AUTO/MANUAL)	16JT8101106	->	->	->
227	PUSH-BUTTON,START (GREEN)	16JT8101107	->	->	->
228	PUSH-BUTTON,STOP (RED)	16JT8121107	->	->	->
229	INDICATOR LIGHT (WHITE)	16JT8121108	->	->	->
230	INDICATOR LIGHT (GREEN)	(3) 16JT8101108	(3) ->	(3) ->	(3) ->
231	COOLING FAN (DAYTON)	4C550/4C551/5C032	->	->	->
232	DOOR LATCH (EMKA, INC.)	1125-U206-01G	->	->	->
233	HANDLE,DISCONNECT (TELEMECANIQUE)	D115F4	->	->	->
234	TERM.BLOCK(TB2,TB3)(ALLEN BRADLEY)	1492-W4	->	->	->
235	TERM.BLOCK(TB1)(ALLEN BRADLEY)	1492-W6	->	->	->
236	MODULE (8 INPUT/OUTPUT)	(3) HK50AA006	(3) ->	(3) ->	(3) ->
237	CONNECTOR (18 PIN)	(3) HY84EE021	(3) ->	(3) ->	(3) ->
238	CONNECTOR (3 PIN)	HY84EE003	->	->	->
239	CONNECTOR (4 PIN)	(2) HY84EE004	(2) ->	(2) ->	(2) ->
240	FUSE BLOCK (FB6) (MARATHON)	F30A15P	->	->	->
241	TERMINAL BLOCK (TERM) (MARATHON)	208	->	->	->
242	CONNECTOR (9 POS.) (AMP)	(2) 350763-4	(2) ->	(2) ->	(2) ->
243	CONNECTOR (6 POS.) (AMP)	(2) 350762-4	(2) ->	(2) ->	(2) ->
MISCELLANEOUS GROUP					
244 N	FLOW SWITCH,DIFF PRESSURE 150 PSIG	HK062C033	->	->	->
245 N	FLOW SWITCH,DIFF PRESSURE 300 PSIG	HK062C001	->	->	->
246 N	TUBE CLEANING BRUSH (3/4" TUBES)	KC21AH105	->	->	->
247 N	LITH BROMIDE(30 GAL)NON-INHIBITED	PS16CP030	->	->	->
248 N	LITH BROMIDE(30 GAL)CHROMATE-INHIB.	PS25AL254	->	->	->
249 N	LITH BROMIDE(15 GAL)NON-INHIBITED	PS20BL260	->	->	->
250 N	LITH BROMIDE(15 GAL)CHROMATE-INHIB.	PS25AL251	->	->	->
251 N	LITH HYDROXIDE(TO ADJUST ALKY)	16JB032003	->	->	->
252 N	SAMPLE TEST BOTTLE	17M32231	->	->	->
253 N	INHIBITOR #2 (36 GRAM) LITH NITRATE	PV07CZ036	->	->	->
254 N	INHIBITOR #2 (180 GRAM)LITH NITRATE	PV07CZ180006	->	->	->
255 N	INHIBITOR #4 (4-1 GAL)LITH-CHROMATE	PS25FL251	->	->	->
256 N	LOCTITE WELD SEALANT	PE01LL021	->	->	->
257 N	GALLON CONTAINER (PURGE EVACUATION)	LF51MB001	->	->	->
258 N	PURGE EXHAUST TUBE	16HA0051949	->	->	->
259 N	PURGE EXHAUST CONNECTOR	KA70PP050	->	->	->
260 N	OCETHYL ALCOHOL	C01PP-5586	->	->	->
261 N	HYDROBROMIC ACID	SEE BULLETIN A9504	->	->	->
262 N	WELD LEAK SEALANT	19EA680002	->	->	->
263 N	TOUCH UP PAINT (GRAY) (SPRAY CAN)	PH23GH022	->	->	->
264 N	TOUCH UP PAINT (GRAY) (GALLON CAN)	PH23GH022G	->	->	->
265 N	COMPONENT B BLEND INHIBITOR(4 X 1PT)	PS25AF258	->	->	->



DOUBLE EFFECT HERMETIC
LIQUID ABSORPTION
CHILLER

16JT

SIZE: 810 880
SERIES: CMX/EBARA

ITM	PART DESCRIPTION	16JT854	16JT857	16JT865	16JT873
		ALL	ALL	ALL	ALL
GENERAL PARTS LIST					
1	GASKET,EVAPORATOR WATER BOX	(2) 16JT8546802	(2) 16JT8416632	(2) ->	(2) 16JT8546802
2	GASKET,ABSORBER WATER BOX	(2) 16JT8546722	(2) 16JT8416642	(2) ->	(2) 16JT8546722
3	GASKET,CONDENSER WATER BOX	(2) 16JT8546702	(2) 16JT8416652	(2) ->	(2) 16JT8546702
4	VICTAULIC JOINT (W/B CROSSOVER)	X	X	X	X
5	RING GASKET (W/B CROSSOVER)	(2) CT990X851	(2) ->	(2) ->	(2) ->
6	GENERATOR SOLUTION BOX GASKET	(2) 16JT8325162	(2) ->	(2) ->	(2) ->
7	DIV PLT GASKET,20"LG (EVAP/ABS/COND)	19XB680001	->	->	->
8	DIV PLATE GASKET (1ST STAGE GEN)	(2) QR02SR116	(2) X	(2) X	(2) X
9	TUBES,ABSORBER	460	365	393	460
10	TUBES,EVAPORATOR	414	340	356	414
11	TUBES,U HI-TEMP GEN G1 LONG/SHORT	64/28	56/19	60/23	64/28
12	TUBES,CONDENSER	220	177	195	220
13	TUBES,LO-TEMP GENERATOR G2	215	190	207	233
14	TUBES,HI-TEMP HEAT EXCHANGER H1	429	286	316	346
15	TUBES,LO-TEMP HEAT EXCHANGER H2	(263) 16JT832662	(293) 16JA010142	(293) ->	(360) 16JT832662
16	SPRAY NOZZLE,ABSORBER	(190) 16JA010312	(219) 16JA010-386	(219) 16JA010386	(265) 16JA010312
17	SPRAY NOZZLE,EVAPORATOR	(40) 16JA010312	(54) ->	(54) ->	(54) ->
18	SPRAY NOZZLE,GENERATOR G2	(104) 16JR005372	(134) ->	(134) ->	(320) ->
19A	O-RING,FIRST STAGE GEN. S/B (MEX.)	(92) KK71EM010	(83) ->	(83) ->	(92) ->
19B	O-RING,FIRST STAGE GEN. S/B (EBARA)	(92) C16JA01-00068	(75) ->	(83) ->	(92) ->
20A	GASKET,FLOAT BOX(LCD)(PSN MK#7 1996)	16JT8575402	->	->	->
20B	GASKET,FLOAT BOX(LCD)(SSN MK#7 1996)	16JT8325402	16JT09051563	->	->
20C	GASKET,FLOAT BOX(LCD) (EBARA)	C16JS657-5422	->	->	->
21	REFRIG. LEVEL SWITCH,DISCRETE	(4) 16JT832424	(4) ->	(4) ->	(4) ->
22A	GASKET,REFRIG. LEVEL SWITCH (MEX.)	16JT8325712	->	->	->
22B	GASKET,REFRIG. LEVEL SWITCH (EBARA)	C16JS832-5712	->	->	->
23A	FLOAT VALVE ASY,LCD (MEX.)	16JT854574	16JT857574	->	16JT873574
23B	FLOAT VALVE ASY,LCD (EBARA)	C01PP-673924	C01PP-673925	->	C01PP-673926
24	FLOAT DISC (SST)	16JT8545733	16JT8575733	->	16JT8735731
25	BUSHING HOUSING (SST)	(2) 16JT8101731	(2) 16JT8575731	(2) ->	(2) ->
26	O-RING (MEX.)	(2) 16JT8105747	(2) 16JT8105748	(2) ->	(2) ->
27	GASKET (SQUARE)	(3) 16JT8105726	(3) 16JT8575726	(3) ->	(3) ->
28A	FLOAT BALL (MEX.)	16JT8101091	16JT8101092	->	->
28B	FLOAT BALL (EBARA)	C01PP-57841	C01PP-57842	->	->
29	STRAIGH PIN (FLOAT BALL)(SST)	(2) 16JT8575737	(2) ->	(2) ->	(2) ->
30	ARM COLLAR (SST)	(2) 16JT8105734	(2) 16JT8575734	(2) ->	(2) ->
31	TAPER PIN (SST)	(2) 16JT8105738	(2) 16JT8575738	(2) ->	(2) ->
32	HOUSING SHIM (SST)	(2) 16JT8105732	(2) 16JT8575732	(2) ->	(2) ->
33	HIGH LEVEL ELECTRODE, 1ST ST. GEN.	16JT660001	->	->	->
34	LOW LEVEL ELECTRODE, 1ST ST. GEN.	16JT660001	->	->	->
35	EDUCTOR	16JT605753	->	->	->
36	RUPTURE DISC ASY (CARBON)(W/GASKETS)	17Q4317	->	->	->
37	GASKET,RUPTURE DISC (CARBON)	(2) CR90SZ002	(2) ->	(2) ->	(2) ->
38	DISC,RUPTURE (CARBON)	17Q4317	->	->	->
39	RUPTURE DISC ASY (METALIC)	16DF0322014	->	->	->
40	GASKET,RUPTURE DISC (METALIC)	(2) CT992K501	(2) ->	(2) ->	(2) ->
41	STRAINER ASY (LVG LCD)	C01PP-60771	C01PP-60772	->	->
42	STRAINER ASY (3/4")	16JT810290	->	->	->
43	GASKET,DRAIN TRAP	16JT8101781	->	->	->
44	RING GASKET (2") (DRAIN TRAP PIPING)	(3) CT996X4011A	(3) ->	(3) ->	(3) ->
45	RING GASKET (1") (DRAIN TRAP PIPING)	(2) CT996X2511A	(2) ->	(2) ->	(2) ->
46	GLOBE VALVE (1") (DRAIN TRAP PIPING)	16JT8241188	->	->	->
47	STRAINER (1") (DRAIN TRAP PIPING)	16JT8102850	->	->	->
48	GROUND UNION 3/8"(DRAIN TRAP PIPING)	16JT8241187	->	->	->

PARTS LIST CATALOG

PARTS LIST PAGE: 019

CATALOG NO.: RCD-3516-005 REV. A
SUPERSEDES : RCD-3516-005 REV.

NOTE: SEE "CATALOG NOTES" ON LAST PAGE FOR EXPLANATION OF SYMBOLISM.



DOUBLE EFFECT HERMETIC
LIQUID ABSORPTION
CHILLER

16JT

SIZE: 810 880
SERIES: CMX/EBARA

ITM	PART DESCRIPTION	16JT854	16JT857	16JT865	16JT873
		ALL	ALL	ALL	ALL
GENERAL PARTS LIST					
49	GROUND UNION 1" (DRAIN TRAP PIPING)	CA85RA251	->	->	->
49A	HEAT EXCHANGER (DRAIN TRAP PIPING)	16JT841233	16JT857233	->	->
50A	FLOAT VALVE ASY,DRAIN TRAP (MEX.)	16JT847544	16JT824544	->	->
50B	FLOAT VALVE ASY,DRAIN TRAP (EBARA)	A16JS847C-558	->	->	->
51	FLOAT GASKET	(2) 16JT8245066	(2) ->	(2) ->	(2) ->
52A	FLOAT BALL (MEX.)	16JT8101097	->	->	->
52B	FLOAT BALL (EBARA)	C01PP-6193	->	->	->
53	RELIEF PLUG	16JT8245071	->	->	->
54	STRAINER (SST)	16JT8245443	->	->	->
55	RETAINER WASHER	16JT8245442	->	->	->
56	TAPER PIN	(2) 16JT8241186	(2) ->	(2) ->	(2) ->
57	BUSHING (L=3/4)	16JT8245077	->	->	->
58	BUSHING (L=5/8)	16JT8245078	->	->	->
59	DIAPHRAGM VALVE, 1/2" (SCREWED)	(3) EF71CA181	(3) ->	(3) ->	(3) ->
60A	DIAPHRAGM REPLACEMENT (MEXICD)	EF792A181	->	->	->
60B	DIAPHRAGM REPLACEMENT (EBARA)	C01PP-61102	->	->	->
61	DIAPHRAGM VALVE, 1/2" (WELDED)	(3) 16JT8102472	(3) ->	(3) ->	(3) ->
62A	DIAPHRAGM REPLACEMENT (MEXICD)	16JT680024	->	->	->
62B	DIAPHRAGM REPLACEMENT (EBARA)	C01PP-61102	->	->	->
63	DIAPHRAGM VALVE, 3/4" (WELDED)	16JT8102475	->	->	->
64A	DIAPHRAGM REPLACEMENT (MEXICD)	16JT680025	->	->	->
64B	DIAPHRAGM REPLACEMENT (EBARA)	C01PP-61103	->	->	->
65	DIAPHRAGM VALVE 1" (WELDED)	16JT8102473	->	->	->
66A	DIAPHRAGM REPLACEMENT (MEXICD)	16JT680026	->	->	->
66B	DIAPHRAGM REPLACEMENT (EBARA)	C01PP-61104	->	->	->
67	DIAPHRAGM VALVE 1" (SCREWED)	EF71ZM006	->	->	->
68A	DIAPHRAGM REPLACEMENT (MEXICD)	EF792M006	->	->	->
68B	DIAPHRAGM REPLACEMENT (EBARA)	C01PP-61104	->	->	->
69	CHECK VALVE 1/2"	16DF07024051	->	->	->
70	CHECK VALVE 1"	16DF07024053	->	->	->
71	CHECK VALVE 1 1/2"	(2) 16DF07024055	(2) ->	(2) ->	(2) ->
72	CHECK VALVE 2"	16DF07024056	->	->	->
73	VALVE,SOLENOID (3/4")	16JT08010300	->	->	->
74 N	SOLENOID COIL (3/4")	16JT680035	->	->	->
75 N	SOLENOID VALVE REPAIR KIT (3/4")	16JT680034	->	->	->
76	VALVE,SOLENOID (1/2") (EBARA)	C01PP-57454	->	->	->
77A	GAUGE,COMPOUND (MEX.)	16DF04090062	->	->	->
77B	GAUGE,COMPOUND (EBARA)	C01PP-57421	->	->	->
78	SIGHT GLASS (EBARA)	C01PP-5751	->	->	->
79	GASKET,SIGHT GLASS (EBARA)	C01PP-57516	->	->	->
80	GASKET,SIGHT GLASS (EBARA)	C01PP-57515	->	->	->
PUMP GROUP					
81A	PUMP,REFRIGERANT (230/460-60HZ) (MEX)	16JT8241075	16JT8571075	->	->
81B	PUMP,REFRIGERANT (575-60HZ) (MEX.)	16JT8241075-1	16JT8571075-1	->	->
81C	PUMP,REFRIGERANT (380-60HZ) (MEX.)	16JT8241075-3	16JT8571075-3	->	->
82	MOTOR REPLACEMENT KIT	16JB660031	->	->	->
83	FRONT BEARING	16JT680011	->	->	->
84	DRIVE BEARING	16JT680011	->	->	->
85	MOTOR RING	KK09XC042	->	->	->
86	SPRING	(2) 16JT680015	(2) ->	(2) ->	(2) ->
87	CASING RING	KK09XD018	->	->	->
88	O-RING/GASKET	16JT680009	->	->	->
89A	IMPELLER (60HZ)	KK75XA542	KK75XA543	->	->
89B	IMPELLER (50HZ)	NOT AVAIL. AT REL.	->	->	->

PARTS LIST CATALOG

PARTS LIST PAGE: 020

CATALOG NO.: RCD-3516-005 REV. A
SUPERSEDES : RCD-3516-005 REV.

NOTE: SEE "CATALOG NOTES" ON LAST PAGE FOR EXPLANATION OF SYMBOLISM.



DOUBLE EFFECT HERMETIC
LIQUID ABSORPTION
CHILLER

16JT

SIZE: 810 880
SERIES: CMX/EBARA

ITM	PART DESCRIPTION	16JT854	16JT857	16JT865	16JT873
		ALL	ALL	ALL	ALL
PUMP GROUP					
90	IMPELLER KEY	16JT680022	->	->	->
91	IMPELLER LOCKING SCREW	KT592P031	->	->	->
92	IMPELLER WASHER	KT592P021	->	->	->
93	CLIP	N/A	->	->	->
94A	PUMP,SOLUTION (230/460-60HZ) (MEX.)	16JT8541076	->	->	(2) 16JT8241076
94B	PUMP,SOLUTION (575-60HZ) (MEX.)	16JT8541076-1	->	->	(2) 16JT8241076-1
94C	PUMP,SOLUTION (380-60HZ) (MEX.)	16JT8541076-3	->	->	(2) 16JT8241076-3
95	MOTOR REPLACEMENT KIT	16JT660004	->	->	16JT660003
96	FRONT BEARING	16JT680012	->	->	->
97	DRIVE BEARING	16JT680011	->	->	->
98	MOTOR RING	16JT680020	->	->	->
99	SPRING	16JT680016	->	->	->
100	CASING RING	KK09XD015	->	->	->
101	"O" RING	16JT680017	->	->	->
101A	IMPELLER (60HZ)	KK75XA594	->	->	KK75XA545
101B	IMPELLER (50HZ)	KK75XA600	->	->	NOT AVAIL. AT REL.
102	IMPELLER KEY	16JT680007	->	->	->
103	IMPELLER LOCK SCREW	16JB680048	->	->	->
104	IMPELLER WASHER	16JB680044	->	->	->
105	CLIP	N/A	->	->	->
106A	PUMP,REFRIGERANT (208V-60HZ) (EBARA)	A16JH014-150X1	A16JH018-120X1	->	->
106B	PUMP,REFRIGERANT (460V-60HZ) (EBARA)	A16JH014-144X1	A16JH018-144X1	->	->
106C	PUMP,REFRIGERANT (480V-60HZ) (EBARA)	A16JH014-150X1	A16JH018-150X1	->	->
107	BEARING,RADIAL	(2) C16JA010-8222	(2) ->	(2) ->	(2) ->
108	BEARING,THRUST	(2) C16JA010-8212	(2) ->	(2) ->	(2) ->
109	COLLAR,THRUST	(2) C16JH014-8202	(2) ->	(2) ->	(2) ->
110	WEAR RING,PUMP CASING	C16JA010-8232	->	->	->
111	WEAR RING,MOTOR SIDE	C16JA012-8232	->	->	->
112	GASKET,CASING SIDE	C16JA010-8532	->	->	->
113	GASKET,END COVER SIDE	C16JA010-9242	->	->	->
114	LOCK NUT,IMPELLER	C16JA010-9222	->	->	->
115	WASHER,IMPELLER	C16JA010-9232	->	->	->
116	KEY,IMPELLER	C16JA010-9212	->	->	->
117	O-RING	(2) C16JA010-8262	(2) ->	(2) ->	(2) ->
118A	PUMP,SOLUTION (208V-60HZ) (EBARA)	A16JH041-727X1	->	->	(2) A16JH032-727X1
118B	PUMP,SOLUTION (460V-60HZ) (EBARA)	A16JH041-736X1	->	->	(2) A16JH032-736X1
118C	PUMP,SOLUTION (480V-60HZ) (EBARA)	A16JH041-737X1	->	->	(2) A16JH032-737X1
119	BEARING,RADIAL	(2) C16JA097-8222	(2) ->	(2) ->	(2) C16JA032-8222
120	BEARING,THRUST	(2) C16JA097-8212	(2) ->	(2) ->	(2) C16JA032-8212
121	COLLAR,THRUST	(2) C16JA097-8202	(2) ->	(2) ->	(2) C16JA032-8202
122	WEAR RING,PUMP CASING	C16JA032-8232	->	->	C16JH032-8232
123	WEAR RING,MOTOR SIDE	C16JH041-8232	->	->	C16JA032-8232
124	GASKET,CASING SIDE	C16JA097-8532	->	->	->
125	GASKET,END COVER SIDE	C16JA097-9242	->	->	C16JA032-9242
126	LOCK NUT,IMPELLER	C16JA032-9222	->	->	->
127	WASHER,IMPELLER	C16JA032-9232	->	->	->
128	KEY,IMPELLER	C16JA032-9212	->	->	->
129	O-RING	(2) C16JA010-8262	(2) ->	(2) ->	(2) ->
130	VACUUM PUMP 10.6 CFM;230/460V-3 PH	16JT8248301	->	->	->
131	VACUUM PUMP 10.6 CFM;575V-3 PH	16JT8248302	->	->	->
132	VACUUM PUMP .9 CFM;230/460V-3 PH	16JT8248305	->	->	->
133	VACUUM PUMP .9 CFM;575V-3 PH	16JT8248306	->	->	->
134	FITTING,BARBED (3/4 NPT X 1/2 I.D)	16JT8577314	->	->	->
135	VACUUM TUBING 5'LG (CUT TO SUIT)	16JT8577334	->	->	->

PARTS LIST CATALOG

PARTS LIST PAGE: 021

CATALOG NO.: RCD-3516-005 REV. A
SUPERSEDES : RCD-3516-005 REV.

NOTE: SEE "CATALOG NOTES" ON LAST PAGE FOR EXPLANATION OF SYMBOLISM.



DOUBLE EFFECT HERMETIC
LIQUID ABSORPTION
CHILLER

16JT

SIZE: 810 880
SERIES: CMX/EBARA

ITM	PART DESCRIPTION	16JT854		16JT857		16JT865		16JT873	
		ALL		ALL		ALL		ALL	
PUMP GROUP									
136	CLAMP MECHANICAL CONTROLS GROUP	(2)	KA69JM828	(2)	->	(2)	->	(2)	->
137	SWITCH,LOW TEMP. (CHILLED WATER)		16JT8106656		->		->		->
138	SWITCH,HIGH TEMP. (HIGH TEMP. GEN.)		11B06-46		->		->		->
139	SWITCH,HIGH PRESS. (HIGH TEMP. GEN.)		16DF04090070		->		->		->
140 N	SWITCH,COOLING WATER DIF.		HK06ZC003		->		->		->
141 N	SWITCH,REED (12")		16JT8101090		->		->		->
142 N	SWITCH,REED (18")		16JT8321090		->		->		->
143 N	SWITCH,REED (20")		16JT8571090		->		->		->
144 N	SWITCH,REED (22")		16JT8801090		->		->		->
145 N	RTD, PT100 OHMS (EBARA)		CSP-N06591		->		->		->
146 N	THERMOSTAT,SOL. HI-TEMP. (EBARA)		C01PP-57491		->		->		->
147 N	THERMOSTAT,CHW. LO-TEMP. (EBARA)		CSP-M07431		->		->		->
148 N	THERMOSTAT,CYCLE GUARD (EBARA)		C01PP-58612		->		->		->
149 N	THERMISTER 3" (EBARA)		HH79NZ070		->		->		->
150 N	THERMISTER 8" (EBARA)		HH79NZ071		->		->		->
151 N	VACUUM SWITCH (EBARA)		C01PP-63401		->		->		->
152 N	FLOW SWITCH,CHILLED WATER (EBARA)		CSP-N07801		->		->		->
153	CONTROL BOX ASY (208/230-3-60)		16JT810701		->		->		16JT810702
154	CONTROL BOX ASY (460-3-60)		16JT810704		->		->		16JT810705
155	LEVEL CONTROL (NARRICK)		16JT680033		->		->		->
156	DISC. SWITCH (100A)(TELEMECANIQUE)		D10S3		->		->		->
157	FUSE KIT (30A) (TELEMECANIQUE)		D12E62		->		->		->
158	FUSE KIT (60A) (TELEMECANIQUE)		D12F63		->		->		->
159	CONTACTOR (PUMPS) (CUTLER-HAMMER)	(3)	C25DND325A	(3)	->	(3)	->	(3)	->
160	OVERLOAD DEVICE (PUMPS) (FURNAS)	(3)	48DC38AA45Z	(3)	->	(3)	->	(3)	->
161	CAPACITY CONTROLLER (HONEYWELL)		DC300K000321B0000		->		->		->
162	TRANSFORMER (HEVI-DUTY)		F550N		->		->		->
163	TRANSDUCER (TRIAD TECHNOLOGY)		UC-3800-4-4-0		->		->		->
164	AC/DC SONALERT (MALLORY/SONALERT)		SC-110-P		->		->		->
165	ELAPSED TIME METER (CARRIER-RCD)		19EA660035		->		->		->
166	"V" LAMP (SYLVANIA)	(8)	656 145V	(8)	->	(8)	->	(8)	->
167	2-POS. SELECT. SW. (ALLEN-BRADLEY)	(2)	800T-H2A	(2)	->	(2)	->	(2)	->
168	ON-DELAY TIMER (ATC)	(5)	339A20002X	(5)	->	(5)	->	(5)	->
169	RELAY,PLUG-IN (POTTER & BRUMFIELD)	(21)	16JT8101109	(21)	->	(21)	->	(21)	->
170	INDICATOR LIGHT BODY (DIALCO)	(8)	103-3101-05-4	(8)	->	(8)	->	(8)	->
171	RED LENS (DIALCO)	(4)	103-1211-403	(4)	->	(4)	->	(4)	->
172	GREEN LENS (DIALCO)	(2)	103-1212-403	(2)	->	(2)	->	(2)	->
173	AMBER LENS (DIALCO)		103-1213-403		->		->		->
174	WHITE LENS (DIALCO)		103-1235-403		->		->		->
175	HANDLE,DISCONNECT (TELEMECANIQUE)		D11SF10		->		->		->
176	RELAY SOCKET(3 POLE)(CUSTOM CONN.)	(21)	SL711	(21)	->	(21)	->	(21)	->
177	RELAY SOCKET(2 POLE)(CUSTOM CONN.)	(5)	SL608	(5)	->	(5)	->	(5)	->
178	REMOTE TEMP. DETECTOR (PYROMATION)		RIT185L48093-SL-601		->		->		->
179	THERMOWELL (PYROMATION)		1/2"-260L-U4-1/2-316		->		->		->
180	START BUTTON (GREEN)	(2)	16JT8101107	(2)	->	(2)	->	(2)	->
181	STOP BUTTON (RED)	(2)	16JT8121107	(2)	->	(2)	->	(2)	->
182	ALARM STOP-BUTTON (ALLEN-BRADLEY)		800T-A2D1		->		->		->
183	TERMINAL BLOCK (ALLEN-BRADLEY)		1492-CA2		->		->		->
PIC CONTROLS GROUP									
184	SWITCH,LOW TEMP. (CHILLED WATER)		16JT8106656		->		->		->
185	SWITCH,HIGH TEMP. (HIGH TEMP. GEN.)		11B06-46		->		->		->
186	SWITCH,HIGH PRESS. (HIGH TEMP. GEN.)		16DF04090070		->		->		->
187	SWITCH,COOLING WATER DIF.		HK06ZC003		->		->		->

PARTS LIST CATALOG

PARTS LIST PAGE: 022

CATALOG NO.: RCD-3516-005 REV. A
SUPERSEDES : RCD-3516-005 REV.

NOTE: SEE "CATALOG NOTES" ON LAST PAGE FOR EXPLANATION OF SYMBOLISM.



DOUBLE EFFECT HERMETIC
LIQUID ABSORPTION
CHILLER

16JT

SIZE: 810 880
SERIES: CMX/EBARA

ITM	PART DESCRIPTION	16JT854		16JT857		16JT865		16JT873	
		ALL		ALL		ALL		ALL	
PIC CONTROLS GROUP									
188	THERMISTOR (5K)	(13)	HH79N2047	(13)	->	(13)	->	(13)	->
189	THERMISTOR (100K)	(5)	HH79N2070	(5)	->	(5)	->	(5)	->
190	CABLE ASY,TEMPERATURE SENSOR		HH79N2072		->		->		->
191	TRANSDUCER,LOW PRESSURE		HK05YZ004		->		->		->
192	TRANSDUCER,HIGH PRESSURE	(2)	HK05YZ002	(2)	->	(2)	->	(2)	->
193	CABLE ASY,HIGH/LOW PRESSURE		16JT810798		->		->		->
194	FLOAT SWITCH,ANALOG (12")		16JT810788		->		->		->
195	FLOAT SWITCH,ANALOG (18")		16JT810789		->		->		->
196	FLOAT SWITCH,ANALOG (20")		16JT810790		->		->		->
197	FLOAT SWITCH,DISCRETE	(3)	16JT832424	(3)	->	(3)	->	(3)	->
198	SWITCH,REED (12")		16JT8101090		->		->		->
199	SWITCH,REED (18")		16JT8321090		->		->		->
200	SWITCH,REED (20")		16JT8571090		->		->		->
201	SWITCH,REED (22")		16JT8801090		->		->		->
202	16JT PIC CONTROL PANEL DNG(REF.ONLY)		16JT810763		->		->		->
203	LTD 2B		CESD130036		->		->		->
204	PSIO II		CEPL110189-02		->		->		->
205	CONTROLLER,PIC MODULE (FID)		16JT810720		->		->		->
206	TRANSFORMER(575/460/230 TO 110)(TR		16JT8101101		->		->		->
207	TRANSFORMER(110 TO 21)(TR1,TR2,TR3	(3)	HT01BD113	(3)	->	(3)	->	(3)	->
208	TRANSFORMER(110 TO 24)(TR5)		HT01AW235		->		->		->
209	TRANSFORMER(21 TO 5)(TR4)		HK35AA002		->		->		->
210	CIRCUIT BREAKER		HH83ZB001		->		->		->
211	RELAY BOARD,SIX PACK (RB1,RB2)		HK35AA001		->		->		->
212A	RELAY (CR1 - CR7) (PSN WK#6 1997)	(7)	16JT8101109	(7)	->	(7)	->	(7)	->
212B	RELAY (CR1 - CR7) (SSN WK#6 1997)	(7)	16JT8101102	(7)	->	(7)	->	(7)	->
213	RELAY,HIGH LEVEL		16JT680033		->		->		->
214	STARTER BLOCK(RP1,SP1,SP2,VP1)		16JT8101103		->		->		->
215A	FUSE (F1/SP1) (208/240-3-60)	(3)	LPJ-50	(3)	->	(3)	->	(3)	LPJ-45
215B	FUSE (F1/SP1) (416/480-3-60)	(3)	LPJ-25	(3)	->	(3)	->	(3)	->
215C	FUSE (F1/SP1) (550/600-3-60)	(3)	LPJ-20	(3)	->	(3)	->	(3)	LPJ-15
215D	FUSE (F1/SP1) (380-3-50)	(3)	LPJ-25	(3)	->	(3)	->	(3)	->
216A	FUSE (F2/SP2) (208/240-3-60)		X		X		X	(3)	LPJ-45
216B	FUSE (F2/SP2) (416/480-3-60)		X		X		X	(3)	LPJ-25
216C	FUSE (F2/SP2) (550/600-3-60)		X		X		X	(3)	LPJ-15
216D	FUSE (F2/SP2) (380-3-50)		X		X		X	(3)	LPJ-25
217A	FUSE (F3/RP1) (208/240-3-60)	(3)	LPJ-25	(3)	->	(3)	->	(3)	->
217B	FUSE (F3/RP1) (416/480-3-60)	(3)	LPJ-10	(3)	->	(3)	->	(3)	->
217C	FUSE (F3/RP1) (550/600-3-60)	(3)	LPJ-10	(3)	->	(3)	->	(3)	->
217D	FUSE (F3/RP1) (380-3-50)	(3)	LPJ-10	(3)	->	(3)	->	(3)	->
218A	FUSE (F5/VP1) (208/240-3-60)	(3)	LPJ-3	(3)	->	(3)	->	(3)	->
218B	FUSE (F5/VP1) (416/480-3-60)	(3)	LPJ-2	(3)	->	(3)	->	(3)	->
218C	FUSE (F5/VP1) (550/600-3-60)	(3)	LPJ-2	(3)	->	(3)	->	(3)	->
218D	FUSE (F5/VP1) (380-3-50)	(3)	LPJ-2	(3)	->	(3)	->	(3)	->
219A	FUSE (FB6) (208/240-3-60)		LPJ-5		->		->		->
219B	FUSE (FB6) (416/480-3-60)		LPJ-5		->		->		->
219C	FUSE (FB6) (550/600-3-60)		LPJ-5		->		->		->
219D	FUSE (FB6) (380-3-50)		LPJ-5		->		->		->
220	OVERLOAD RELAY	(4)	HN68JX003	(4)	->	(4)	->	(4)	->
221A	HEATER,OVERLOAD(COL1)(208/240-3-60)	(3)	HN71JC069	(3)	->	(3)	->	(3)	HN71JC067
221B	HEATER,OVERLOAD(COL1)(416/480-3-60)	(3)	HN71JC055	(3)	->	(3)	->	(3)	->
221C	HEATER,OVERLOAD(COL1)(550/600-3-60)	(3)	HN71JC052	(3)	->	(3)	->	(3)	HN71JC050
221D	HEATER,OVERLOAD(COL1)(380-3-50)	(3)	HN71JC055	(3)	->	(3)	->	(3)	->
222A	HEATER,OVERLOAD(COL2)(208/240-3-60)		X		X		X	(3)	HN71JC067

PARTS LIST CATALOG

PARTS LIST PAGE: 023

CATALOG NO.: RCD-3516-005 REV. A
SUPERSEDES : RCD-3516-005 REV.

NOTE: SEE "CATALOG NOTES" ON LAST PAGE FOR EXPLANATION OF SYMBOLISM.



DOUBLE EFFECT HERMETIC
LIQUID ABSORPTION
CHILLER

16JT

SIZE: 810 880
SERIES: CMX/EBARA

ITM	PART DESCRIPTION	16JT854	16JT857	16JT865	16JT873
		ALL	ALL	ALL	ALL
PIC CONTROLS GROUP					
222B	HEATER,OVERLOAD(OL2)(416/480-3-60)	X	X	X	(3) HN71JC055
222C	HEATER,OVERLOAD(OL2)(550/600-3-60)	X	X	X	(3) HN71JC050
222D	HEATER,OVERLOAD(OL2)(380-3-50)	X	X	X	(3) HN71JC055
223A	HEATER,OVERLOAD(OL3)(208/240-3-60)	(3) HN71JC054	(3) ->	(3) ->	(3) ->
223B	HEATER,OVERLOAD(OL3)(416/480-3-60)	(3) HN71JC041	(3) ->	(3) ->	(3) ->
223C	HEATER,OVERLOAD(OL3)(550/600-3-60)	(3) HN71JC037	(3) ->	(3) ->	(3) ->
223D	HEATER,OVERLOAD(OL3)(380-3-50)	(3) HN71JC041	(3) ->	(3) ->	(3) ->
224A	HEATER,OVERLOAD(OL5)(208/240-3-60)	(3) HN71JC021	(3) ->	(3) ->	(3) ->
224B	HEATER,OVERLOAD(OL5)(416/480-3-60)	(3) HN71JC021	(3) ->	(3) ->	(3) ->
224C	HEATER,OVERLOAD(OL5)(550/600-3-60)	(3) HN71JC021	(3) ->	(3) ->	(3) ->
224D	HEATER,OVERLOAD(OL5)(380-3-50)	(3) HN71JC021	(3) ->	(3) ->	(3) ->
225	DISCONNECT,100 AMP (MDC)	16JT8101105	->	->	->
226	SWITCH,SELECTOR (AUTO/MANUAL)	16JT8101106	->	->	->
227	PUSH-BUTTON,START (GREEN)	16JT8101107	->	->	->
228	PUSH-BUTTON,STOP (RED)	16JT8121107	->	->	->
229	INDICATOR LIGHT (WHITE)	16JT8121108	->	->	->
230	INDICATOR LIGHT (GREEN)	(3) 16JT8101108	(3) ->	(3) ->	(3) ->
231	COOLING FAN (DAYTON)	4C550/4C551/5C032	->	->	->
232	DOOR LATCH (EMKA, INC.)	1125-U206-01G	->	->	->
233	HANDLE,DISCONNECT (TELEMECANIQUE)	D115F4	->	->	->
234	TERM.BLOCK(TB2,TB3)(ALLEN BRADLEY)	1492-W4	->	->	->
235	TERM.BLOCK(TB1)(ALLEN BRADLEY)	1492-W6	->	->	->
236	MODULE (8 INPUT/OUTPUT)	(3) HK50AA006	(3) ->	(3) ->	(3) ->
237	CONNECTOR (18 PIN)	(3) HY84EE021	(3) ->	(3) ->	(3) ->
238	CONNECTOR (3 PIN)	HY84EE003	->	->	->
239	CONNECTOR (4 PIN)	(2) HY84EE004	(2) ->	(2) ->	(2) ->
240	FUSE BLOCK (FB6) (MARATHON)	F30A15P	->	->	->
241	TERMINAL BLOCK (TERM) (MARATHON)	208	->	->	->
242	CONNECTOR (9 POS.) (AMP)	(2) 350763-4	(2) ->	(2) ->	(2) ->
243	CONNECTOR (6 POS.) (AMP)	(2) 350762-4	(2) ->	(2) ->	(2) ->
MISCELLANEOUS GROUP					
244 N	FLOW SWITCH,DIFF PRESSURE 150 PSIG	HK06ZC033	->	->	->
245 N	FLOW SWITCH,DIFF PRESSURE 300 PSIG	HK06ZC001	->	->	->
246 N	TUBE CLEANING BRUSH (3/4" TUBES)	KC21AH105	->	->	->
247 N	LITH BROMIDE(30 GAL)NON-INHIBITED	PS16CP030	->	->	->
248 N	LITH BROMIDE(30 GAL)CHROMATE-INHIB.	PS25AL254	->	->	->
249 N	LITH BROMIDE(15 GAL)NON-INHIBITED	PS20BL260	->	->	->
250 N	LITH BROMIDE(15 GAL)CHROMATE-INHIB.	PS25AL251	->	->	->
251 N	LITH HYDROXIDE(TO ADJUST ALKY)	16JB032003	->	->	->
252 N	SAMPLE TEST BOTTLE	17M32231	->	->	->
253 N	INHIBITOR #2 (36 GRAM) LITH NITRATE	PV07CZ036	->	->	->
254 N	INHIBITOR #2 (180 GRAM)LITH NITRATE	PV07CZ180006	->	->	->
255 N	INHIBITOR #4 (4-1 GAL)LITH-CHROMATE	PS25FL251	->	->	->
256 N	LOCTITE WELD SEALANT	PE01LL021	->	->	->
257 N	GALLON CONTAINER (PURGE EVACUATION)	LF51MB001	->	->	->
258 N	PURGE EXHAUST TUBE	16HA0051949	->	->	->
259 N	PURGE EXHAUST CONNECTOR	KA70PP050	->	->	->
260 N	OCTHYL ALCOHOL	C01PP-5586	->	->	->
261 N	HYDROBROMIC ACID	SEE BULLETIN A9504	->	->	->
262 N	WELD LEAK SEALANT	19EA680002	->	->	->
263 N	TOUCH UP PAINT (GRAY) (SPRAY CAN)	PH23GH022	->	->	->
264 N	TOUCH UP PAINT (GRAY) (GALLON CAN)	PH23GH022G	->	->	->
265 N	COMPONENT B BLEND INHIBITOR(4 X IPT)	PS25AF258	->	->	->

PARTS LIST CATALOG

PARTS LIST PAGE: 024

CATALOG NO.: RCD-3516-005 REV. A
SUPERSEDES : RCD-3516-005 REV.

NOTE: SEE "CATALOG NOTES" ON LAST PAGE FOR EXPLANATION OF SYMBOLISM.



DOUBLE EFFECT HERMETIC
LIQUID ABSORPTION
CHILLER

16JT

SIZE: 810 880
SERIES: CMX/EBARA

ITM	PART DESCRIPTION	16JT880			
		ALL			
GENERAL PARTS LIST					
1	GASKET, EVAPORATOR WATER BOX	(2)	16JT8806802		
2	GASKET, ABSORBER WATER BOX	(2)	16JT8806722		
3	GASKET, CONDENSER WATER BOX	(2)	16JT8806702		
4	VICTAULIC JOINT (W/B CROSSOVER)		X		
5	RING GASKET (W/B CROSSOVER)	(2)	CT990X851		
6	GENERATOR SOLUTION BOX GASKET	(2)	16JT8805162		
7	DIV PLT GASKET, 20" LG (EVAP/ABS/COND)		19XB680001		
8	DIV PLATE GASKET (1ST STAGE GEN)	(2)	X		
9	TUBES, ABSORBER		502		
10	TUBES, EVAPORATOR		455		
11	TUBES, U HI-TEMP GEN G1 LONG/SHORT		60/23		
12	TUBES, CONDENSER		246		
13	TUBES, LO-TEMP GENERATOR G2		242		
14	TUBES, HI-TEMP HEAT EXCHANGER H1		406		
15	TUBES, LO-TEMP HEAT EXCHANGER H2	(406)	16JT832662		
16	SPRAY NOZZLE, ABSORBER	(300)	16JA010312		
17	SPRAY NOZZLE, EVAPORATOR	(54)	16JA010312		
18	SPRAY NOZZLE, GENERATOR G2	(396)	16JR805372		
19A	O-RING, FIRST STAGE GEN. S/B (MEX.)	(103)	KK71EM010		
19B	O-RING, FIRST STAGE GEN. S/B (EBARA)	(103)	C16JA01-00068		
20A	GASKET, FLOAT BOX (LCD) (PSN WK#7 1996)		16JT8575402		
20B	GASKET, FLOAT BOX (LCD) (SSN WK#7 1996)		16JT09051563		
20C	GASKET, FLOAT BOX (LCD) (EBARA)		C16JS657-5422		
21	REFRIG. LEVEL SWITCH, DISCRETE	(4)	16JT832424		
22A	GASKET, REFRIG. LEVEL SWITCH (MEX.)		16JT8325712		
22B	GASKET, REFRIG. LEVEL SWITCH (EBARA)		C16JS832-5712		
23A	FLOAT VALVE ASY, LCD (MEX.)		16JT873574		
23B	FLOAT VALVE ASY, LCD (EBARA)		C01PP-673926		
24	FLOAT DISC (SST)		16JT8735751		
25	BUSHING HOUSING (SST)	(2)	16JT8575731		
26	O-RING (MEX.)	(2)	16JT8105748		
27	GASKET (SQUARE)	(3)	16JT8575726		
28A	FLOAT BALL (MEX.)		16JT8101092		
28B	FLOAT BALL (EBARA)		C01PP-57842		
29	STRAIGHT PIN (FLOAT BALL) (SST)	(2)	16JT8575737		
30	ARM COLLAR (SST)	(2)	16JT8575734		
31	TAPER PIN (SST)	(2)	16JT8575738		
32	HOUSING SHIM (SST)	(2)	16JT8575732		
33	HIGH LEVEL ELECTRODE, 1ST ST. GEN.		16JT660001		
34	LOW LEVEL ELECTRODE, 1ST ST. GEN.		16JT660001		
35	EDUCTOR		16JT605753		
36	RUPTURE DISC ASY (CARBON) (W/GASKETS)		17Q4317		
37	GASKET, RUPTURE DISC (CARBON)	(2)	CR90S2002		
38	DISC, RUPTURE (CARBON)		17Q4317		
39	RUPTURE DISC ASY (METALIC)		16DF0322014		
40	GASKET, RUPTURE DISC (METALIC)	(2)	CT992X501		
41	STRAINER ASY (LVG LCD)		C01PP-60772		
42	STRAINER ASY (3/4")		16JT810290		
43	GASKET, DRAIN TRAP		16JT8101781		
44	RING GASKET (2") (DRAIN TRAP PIPING)	(3)	CT990X4011A		
45	RING GASKET (1") (DRAIN TRAP PIPING)	(2)	CT990X2511A		
46	GLOBE VALVE (1") (DRAIN TRAP PIPING)		16JT8241188		
47	STRAINER (1") (DRAIN TRAP PIPING)		16JT8102850		
48	GROUND UNION 3/8" (DRAIN TRAP PIPING)		16JT8241187		

PARTS LIST CATALOG

PARTS LIST PAGE: 025

CATALOG NO.: RCD-3516-005 REV. A
SUPERSEDES: RCD-3516-005 REV.

NOTE: SEE "CATALOG NOTES" ON LAST PAGE FOR EXPLANATION OF SYMBOLISM.



DOUBLE EFFECT HERMETIC
LIQUID ABSORPTION
CHILLER

16JT

SIZE: 810 880
SERIES: CMX/EBARA

ITM	PART DESCRIPTION	16JT880		
		ALL		
GENERAL PARTS LIST				
49	GROUND UNION 1" (DRAIN TRAP PIPING)	CA85RA251		
49A	HEAT EXCHANGER (DRAIN TRAP PIPING)	16JT880233		
50A	FLOAT VALVE ASY.DRAIN TRAP (MEX.)	16JT824544		
50B	FLOAT VALVE ASY.DRAIN TRAP (EBARA)	A16JS847C-558		
51	FLOAT GASKET	(2) 16JT8245066		
52A	FLOAT BALL (MEX.)	16JT8101097		
52B	FLOAT BALL (EBARA)	C01PP-6193		
53	RELIEF PLUG	16JT8245071		
54	STRAINER (SST)	16JT8245443		
55	RETAINER WASHER	16JT8245442		
56	TAPER PIN	(2) 16JT8241186		
57	BUSHING (L=3/4)	16JT8245077		
58	BUSHING (L=5/8)	16JT8245078		
59	DIAPHRAGM VALVE, 1/2" (SCREWED)	(3) EF71CA181		
60A	DIAPHRAGM REPLACEMENT (MEXICO)	EF792A181		
60B	DIAPHRAGM REPLACEMENT (EBARA)	C01PP-61102		
61	DIAPHRAGM VALVE, 1/2" (WELDED)	(3) 16JT8102472		
62A	DIAPHRAGM REPLACEMENT (MEXICO)	16JT680024		
62B	DIAPHRAGM REPLACEMENT (EBARA)	C01PP-61102		
63	DIAPHRAGM VALVE, 3/4" (WELDED)	16JT8102475		
64A	DIAPHRAGM REPLACEMENT (MEXICO)	16JT680025		
64B	DIAPHRAGM REPLACEMENT (EBARA)	C01PP-61103		
65	DIAPHRAGM VALVE 1" (WELDED)	16JT8102473		
66A	DIAPHRAGM REPLACEMENT (MEXICO)	16JT680026		
66B	DIAPHRAGM REPLACEMENT (EBARA)	C01PP-61104		
67	DIAPHRAGM VALVE 1" (SCREWED)	EF71ZM006		
68A	DIAPHRAGM REPLACEMENT (MEXICO)	EF792M006		
68B	DIAPHRAGM REPLACEMENT (EBARA)	C01PP-61104		
69	CHECK VALVE 1/2"	16DF07024051		
70	CHECK VALVE 1"	16DF07024053		
71	CHECK VALVE 1 1/2"	(2) 16DF07024055		
72	CHECK VALVE 2"	16DF07024056		
73	VALVE,SOLENOID (3/4")	16JT08010300		
74 N	SOLENOID COIL (3/4")	16JT680035		
75 N	SOLENOID VALVE REPAIR KIT (3/4")	16JT680034		
76	VALVE,SOLENOID (1/2") (EBARA)	C01PP-57454		
77A	GAUGE,COMPOUND (MEX.)	16DF04090062		
77B	GAUGE,COMPOUND (EBARA)	C01PP-57421		
78	SIGHT GLASS (EBARA)	C01PP-5751		
79	GASKET,SIGHT GLASS (EBARA)	C01PP-57516		
80	GASKET,SIGHT GLASS (EBARA)	C01PP-57515		
PUMP GROUP				
81A	PUMP,REFRIGERANT (230/460-60HZ) (MEX)	16JT8571075		
81B	PUMP,REFRIGERANT (575-60HZ) (MEX.)	16JT8571075-1		
81C	PUMP,REFRIGERANT (380-60HZ) (MEX.)	16JT8571075-3		
82	MOTOR REPLACEMENT KIT	16JB660031		
83	FRONT BEARING	16JT680011		
84	DRIVE BEARING	16JT680011		
85	MOTOR RING	KK09XC042		
86	SPRING	(2) 16JT680015		
87	CASING RING	KK09XD018		
88	O-RING/GASKET	16JT680009		
89A	IMPELLER (60HZ)	KK75XA543		
89B	IMPELLER (50HZ)	NOT AVAIL. AT REL.		

PARTS LIST CATALOG

PARTS LIST PAGE: 026

CATALOG NO. : RCD-3516-005 REV. A
SUPERSEDES : RCD-3516-005 REV.

NOTE: SEE "CATALOG NOTES" ON LAST PAGE FOR EXPLANATION OF SYMBOLISM.



DOUBLE EFFECT HERMETIC
LIQUID ABSORPTION
CHILLER

16JT

SIZE: 810 880
SERIES: CMX/EBARA

ITM	PART DESCRIPTION	16JT880			
			ALL		
PUMP GROUP					
90	IMPELLER KEY		16JT680022		
91	IMPELLER LOCKING SCREW		KT592P031		
92	IMPELLER WASHER		KT592P021		
93	CLIP		N/A		
94A	PUMP,SOLUTION (230/460-60HZ) (MEX.)	(2)	16JT8241076		
94B	PUMP,SOLUTION (575-60HZ) (MEX.)	(2)	16JT8241076-1		
94C	PUMP,SOLUTION (380-60HZ) (MEX.)	(2)	16JT8241076-3		
95	MOTOR REPLACEMENT KIT		16JT660003		
96	FRONT BEARING		16JT680012		
97	DRIVE BEARING		16JT680011		
98	MOTOR RING		16JT680019		
99	SPRING		16JT680016		
100	CASING RING		KK09XC042		
101	"O" RING		16JT680017		
101A	IMPELLER (60HZ)		KK75XA545		
101B	IMPELLER (50HZ)		NOT AVAIL. AT REL.		
102	IMPELLER KEY		16JT680007		
103	IMPELLER LOCK SCREW		16JB680048		
104	IMPELLER WASHER		16JB680044		
105	CLIP		N/A		
106A	PUMP,REFRIGERANT (208V-60HZ) (EBARA)		A16JH018-120X1		
106B	PUMP,REFRIGERANT (460V-60HZ) (EBARA)		A16JH018-144X1		
106C	PUMP,REFRIGERANT (480V-60HZ) (EBARA)		A16JH018-150X1		
107	BEARING,RADIAL	(2)	C16JA010-8222		
108	BEARING,THRUST	(2)	C16JA010-8212		
109	COLLAR,THRUST	(2)	C16JH014-8202		
110	WEAR RING,PUMP CASING		C16JA010-8232		
111	WEAR RING,MOTOR SIDE		C16JA012-8232		
112	GASKET,CASING SIDE		C16JA010-8532		
113	GASKET,END COVER SIDE		C16JA010-9242		
114	LOCK NUT,IMPELLER		C16JA010-9222		
115	WASHER,IMPELLER		C16JA010-9232		
116	KEY,IMPELLER		C16JA010-9212		
117	O-RING	(2)	C16JA010-8262		
118A	PUMP,SOLUTION (208V-60HZ) (EBARA)	(2)	A16JH032-727X1		
118B	PUMP,SOLUTION (460V-60HZ) (EBARA)	(2)	A16JH032-736X1		
118C	PUMP,SOLUTION (480V-60HZ) (EBARA)	(2)	A16JH032-737X1		
119	BEARING,RADIAL	(2)	C16JA032-8222		
120	BEARING,THRUST	(2)	C16JA032-8212		
121	COLLAR,THRUST	(2)	C16JA032-8202		
122	WEAR RING,PUMP CASING		C16JH032-8232		
123	WEAR RING,MOTOR SIDE		C16JA032-8232		
124	GASKET,CASING SIDE		C16JA097-8532		
125	GASKET,END COVER SIDE		C16JA032-9242		
126	LOCK NUT,IMPELLER		C16JA032-9222		
127	WASHER,IMPELLER		C16JA032-9232		
128	KEY,IMPELLER		C16JA032-9212		
129	O-RING	(2)	C16JA010-8262		
130	VACUUM PUMP 10.6 CFM;230/460V-3 PH		16JT8248301		
131	VACUUM PUMP 10.6 CFM;575V-3 PH		16JT8248302		
132	VACUUM PUMP .9 CFM;230/460V-3 PH		16JT8248305		
133	VACUUM PUMP .9 CFM;575V-3 PH		16JT8248306		
134	FITTING,BARBED (3/4 NPT X 1/2 I.D.)		16JT8577314		
135	VACUUM TUBING 5"LG (CUT TO SUIT)		16JT8577334		

PARTS LIST CATALOG

PARTS LIST PAGE: 027

CATALOG NO.: RCD-3516-005 REV. A
SUPERSEDES : RCD-3516-005 REV.

NOTE: SEE "CATALOG NOTES" ON LAST PAGE FOR EXPLANATION OF SYMBOLISM.



DOUBLE EFFECT HERMETIC
LIQUID ABSORPTION
CHILLER

16JT

SIZE: 810 880
SERIES: CMX/EBARA

ITM	PART DESCRIPTION	16JT880			
		ALL			
PUMP GROUP					
136	CLAMP MECHANICAL CONTROLS GROUP	(2)	KA69JM828		
137	SWITCH,LOW TEMP. (CHILLED WATER)		16JT8106656		
138	SWITCH,HIGH TEMP. (HIGH TEMP. GEN.)		11B06-46		
139	SWITCH,HIGH PRESS. (HIGH TEMP. GEN.)		16DF04090070		
140 N	SWITCH,COOLING WATER DIF.		HK06ZC003		
141 N	SWITCH,REED (12")		16JT8101090		
142 N	SWITCH,REED (18")		16JT8321090		
143 N	SWITCH,REED (20")		16JT8571090		
144 N	SWITCH,REED (22")		16JT8801090		
145 N	RTD. PT100 OHMS (EBARA)		CSP-N06591		
146 N	THERMOSTAT,SOL. HI-TEMP. (EBARA)		C01PP-57491		
147 N	THERMOSTAT,CHW. LO-TEMP. (EBARA)		CSP-M07431		
148 N	THERMOSTAT,CYCLE GUARD (EBARA)		C01PP-58612		
149 N	THERMISTER 3" (EBARA)		HH79NZ070		
150 N	THERMISTER 8" (EBARA)		HH79NZ071		
151 N	VACUUM SWITCH (EBARA)		C01PP-63401		
152 N	FLOW SWITCH,CHILLED WATER (EBARA)		CSP-N07801		
153	CONTROL BOX ASY (208/230-3-60)		16JT810702		
154	CONTROL BOX ASY (460-3-60)		16JT810705		
155	LEVEL CONTROL (WARRICK)		16JT680033		
156	DISC. SWITCH (100A)(TELEMECANIQUE)		D10S3		
157	FUSE KIT (30A) (TELEMECANIQUE)		D12E62		
158	FUSE KIT (60A) (TELEMECANIQUE)		D12F63		
159	CONTACTOR (PUMPS) (CUTLER-HAMMER)	(3)	C25DND325A		
160	OVERLOAD DEVICE (PUMPS) (FURNAS)	(3)	48DC38AA65Z		
161	CAPACITY CONTROLLER (HONEYWELL)		DC300K000321B0000		
162	TRANSFORMER (HEVI-DUTY)		E550H		
163	TRANSDUCER (TRIAD TECHNOLOGY)		UC-3800-4-4-0		
164	AC/DC SONALERT (MALLORY/SONALERT)		SC-110-P		
165	ELAPSED TIME METER (CARRIER-RCD)		19EA660035		
166	"V" LAMP (SYLVANIA)	(8)	6S6 145V		
167	2-POS. SELECT. SW. (ALLEN-BRADLEY)	(2)	800T-H2A		
168	ON-DELAY TIMER (ATC)	(5)	339A200Q2X		
169	RELAY,PLUG-IN (POTTER & BRUMFIELD)	(21)	16JT8101109		
170	INDICATOR LIGHT BODY (DIALCO)	(8)	103-3101-05-4		
171	RED LENS (DIALCO)	(4)	103-1211-403		
172	GREEN LENS (DIALCO)	(2)	103-1212-403		
173	AMBER LENS (DIALCO)		103-1213-403		
174	WHITE LENS (DIALCO)		103-1235-403		
175	HANDLE,DISCONNECT (TELEMECANIQUE)		D11SF10		
176	RELAY SOCKET(3 POLE)(CUSTOM CONN.)	(21)	SL711		
177	RELAY SOCKET(2 POLE)(CUSTOM CONN.)	(5)	SL608		
178	REMOTE TEMP. DETECTOR (PYROMATION)		RIT185L48093-SL-601		
179	THERMOWELL (PYROMATION)		1/2"-260L-U4-1/2-316		
180	START BUTTON (GREEN)	(2)	16JT8101107		
181	STOP BUTTON (RED)	(2)	16JT8121107		
182	ALARM STOP-BUTTON (ALLEN-BRADLEY)		800T-A2D1		
183	TERMINAL BLOCK (ALLEN-BRADLEY)		1492-CA2		
PIC CONTROLS GROUP					
184	SWITCH,LOW TEMP. (CHILLED WATER)		16JT8106656		
185	SWITCH,HIGH TEMP. (HIGH TEMP. GEN.)		11B06-46		
186	SWITCH,HIGH PRESS. (HIGH TEMP. GEN.)		16DF04090070		
187	SWITCH,COOLING WATER DIF.		HK06ZC003		



DOUBLE EFFECT HERMETIC
LIQUID ABSORPTION
CHILLER

16JT

SIZE: 810 880
SERIES: CMX/EBARA

ITM	PART DESCRIPTION	16JT880			
		ALL			
PIC CONTROLS GROUP					
188	THERMISTOR (5K)	(13)	HH79NZ047		
189	THERMISTOR (100K)	(5)	HH79NZ070		
190	CABLE ASY,TEMPERATURE SENSOR		HH79NZ072		
191	TRANSDUCER,LOW PRESSURE		HK05YZ004		
192	TRANSDUCER,HIGH PRESSURE	(2)	HK05YZ002		
193	CABLE ASY,HIGH/LOW PRESSURE		16JT810798		
194	FLOAT SWITCH,ANALOG (12")		16JT810788		
195	FLOAT SWITCH,ANALOG (18")		16JT810789		
196	FLOAT SWITCH,ANALOG (20")		16JT810790		
197	FLOAT SWITCH,DISCRETE	(3)	16JT832424		
198	SWITCH,REED (12")		16JT8101090		
199	SWITCH,REED (18")		16JT8321090		
200	SWITCH,REED (20")		16JT8571090		
201	SWITCH,REED (22")		16JT8801090		
202	16JT PIC CONTROL PANEL DWG(REF.ONLY)		16JT810763		
203	LID 2B		CESD130036		
204	PSIO II		CEPL110189-02		
205	CONTROLLER,PIC MODULE (FID)		16JT810720		
206	TRANSFORMER(575/460/230 TO 110)(TR		16JT8101101		
207	TRANSFORMER(110 TO 21)(TR1,TR2,TR3	(3)	HT01BD113		
208	TRANSFORMER(110 TO 24)(TR5)		HT01AN235		
209	TRANSFORMER(21 TO 5)(TR4)		HK35AA002		
210	CIRCUIT BREAKER		HH83ZB001		
211	RELAY BOARD,SIX PACK (RB1,RB2)		HK35AA001		
212A	RELAY (CR1 - CR7) (PSN WK#6 1997)	(7)	16JT8101109		
212B	RELAY (CR1 - CR7) (SSN WK#6 1997)	(7)	16JT8101102		
213	RELAY,HIGH LEVEL		16JT680033		
214	STARTER BLOCK(RP1,SPL,SP2,VP1)		16JT8101103		
215A	FUSE (F1/SP1) (208/240-3-60)	(3)	LPJ-45		
215B	FUSE (F1/SP1) (416/480-3-60)	(3)	LPJ-25		
215C	FUSE (F1/SP1) (550/600-3-60)	(3)	LPJ-15		
215D	FUSE (F1/SP1) (380-3-50)	(3)	LPJ-25		
216A	FUSE (F2/SP2) (208/240-3-60)	(3)	LPJ-45		
216B	FUSE (F2/SP2) (416/480-3-60)	(3)	LPJ-25		
216C	FUSE (F2/SP2) (550/600-3-60)	(3)	LPJ-15		
216D	FUSE (F2/SP2) (380-3-50)	(3)	LPJ-25		
217A	FUSE (F3/RP1) (208/240-3-60)	(3)	LPJ-25		
217B	FUSE (F3/RP1) (416/480-3-60)	(3)	LPJ-10		
217C	FUSE (F3/RP1) (550/600-3-60)	(3)	LPJ-10		
217D	FUSE (F3/RP1) (380-3-50)	(3)	LPJ-10		
218A	FUSE (F5/VP1) (208/240-3-60)	(3)	LPJ-3		
218B	FUSE (F5/VP1) (416/480-3-60)	(3)	LPJ-2		
218C	FUSE (F5/VP1) (550/600-3-60)	(3)	LPJ-2		
218D	FUSE (F5/VP1) (380-3-50)	(3)	LPJ-2		
219A	FUSE (FB6) (208/240-3-60)		LPJ-5		
219B	FUSE (FB6) (416/480-3-60)		LPJ-5		
219C	FUSE (FB6) (550/600-3-60)		LPJ-5		
219D	FUSE (FB6) (380-3-50)		LPJ-5		
220	OVERLOAD RELAY	(4)	HN68JX003		
221A	HEATER,OVERLOAD(COL1)(208/240-3-60)	(3)	HN71JC067		
221B	HEATER,OVERLOAD(COL1)(416/480-3-60)	(3)	HN71JC055		
221C	HEATER,OVERLOAD(COL1)(550/600-3-60)	(3)	HN71JC050		
221D	HEATER,OVERLOAD(COL1)(380-3-50)	(3)	HN71JC055		
222A	HEATER,OVERLOAD(COL2)(208/240-3-60)	(3)	HN71JC067		

PARTS LIST CATALOG

PARTS LIST PAGE: 029

CATALOG NO.: RCD-3516-005 REV. A

SUPERSEDES : RCD-3516-005 REV.

NOTE: SEE "CATALOG NOTES" ON LAST PAGE FOR EXPLANATION OF SYMBOLISM.



DOUBLE EFFECT HERMETIC
LIQUID ABSORPTION
CHILLER

16JT

SIZE: 810 880
SERIES: CMX/EBARA

ITM	PART DESCRIPTION	16JT880			
		ALL			
PIC CONTROLS GROUP					
222B	HEATER,OVERLOAD(OL2)(416/480-3-60)	(3)	HN71JC055		
222C	HEATER,OVERLOAD(OL2)(550/600-3-60)	(3)	HN71JC050		
222D	HEATER,OVERLOAD(OL2)(380-3-50)	(3)	HN71JC055		
223A	HEATER,OVERLOAD(OL3)(208/240-3-60)	(3)	HN71JC054		
223B	HEATER,OVERLOAD(OL3)(416/480-3-60)	(3)	HN71JC041		
223C	HEATER,OVERLOAD(OL3)(550/600-3-60)	(3)	HN71JC037		
223D	HEATER,OVERLOAD(OL3)(380-3-50)	(3)	HN71JC041		
224A	HEATER,OVERLOAD(OL5)(208/240-3-60)	(3)	HN71JC021		
224B	HEATER,OVERLOAD(OL5)(416/480-3-60)	(3)	HN71JC021		
224C	HEATER,OVERLOAD(OL5)(550/600-3-60)	(3)	HN71JC021		
224D	HEATER,OVERLOAD(OL5)(380-3-50)	(3)	HN71JC021		
225	DISCONNECT,100 AMP (MDC)		16JT8101105		
226	SWITCH,SELECTOR (AUTO/MANUAL)		16JT8101106		
227	PUSH-BUTTON,START (GREEN)		16JT8101107		
228	PUSH-BUTTON,STOP (RED)		16JT8121107		
229	INDICATOR LIGHT (WHITE)		16JT8121108		
230	INDICATOR LIGHT (GREEN)	(3)	16JT8101108		
231	COOLING FAN (DAYTON)		4C550/4C551/5C032		
232	DOOR LATCH (EMKA, INC.)		1125-U206-01G		
233	HANDLE,DISCONNECT (TELEMECANIQUE)		D115F4		
234	TERM.BLOCK(TB2,TB3)(ALLEN BRADLEY)		1492-W4		
235	TERM.BLOCK(TB1)(ALLEN BRADLEY)		1492-W6		
236	MODULE (8 INPUT/OUTPUT)	(3)	HK50AA006		
237	CONNECTOR (18 PIN)	(3)	HY84EE021		
238	CONNECTOR (3 PIN)		HY84EE003		
239	CONNECTOR (4 PIN)	(2)	HY84EE004		
240	FUSE BLOCK (FB6) (MARATHON)		F30A15P		
241	TERMINAL BLOCK (TERM) (MARATHON)		208		
242	CONNECTOR (9 POS.) (AMP)	(2)	350763-4		
243	CONNECTOR (6 POS.) (AMP)	(2)	350762-4		
MISCELLANEOUS GROUP					
244 N	FLOW SWITCH,DIFF PRESSURE 150 PSIG		HK06ZC033		
245 N	FLOW SWITCH,DIFF PRESSURE 300 PSIG		HK06ZC001		
246 N	TUBE CLEANING BRUSH (3/4" TUBES)		KC21AH105		
247 N	LITH BROMIDE(30 GAL)NON-INHIBITED		PS16CP030		
248 N	LITH BROMIDE(30 GAL)CHROMATE-INHIB.		PS25AL254		
249 N	LITH BROMIDE(15 GAL)NON-INHIBITED		PS20BL260		
250 N	LITH BROMIDE(15 GAL)CHROMATE-INHIB.		PS25AL251		
251 N	LITH HYDROXIDE(TO ADJUST ALKY)		16JB032003		
252 N	SAMPLE TEST BOTTLE		17M32231		
253 N	INHIBITOR #2 (36 GRAM) LITH NITRATE		PV07CZ036		
254 N	INHIBITOR #2 (180 GRAM)LITH NITRATE		PV07CZ180006		
255 N	INHIBITOR #4 (4-1 GAL)LITH-CHROMATE		PS25FL251		
256 N	LOCTITE WELD SEALANT		PE011L021		
257 N	GALLON CONTAINER (PURGE EVACUATION)		LF51MB001		
258 N	PURGE EXHAUST TUBE		16HA0051949		
259 N	PURGE EXHAUST CONNECTOR		KA70PP050		
260 N	OCTHYL ALCOHOL		C01PP-5586		
261 N	HYDROBROMIC ACID		SEE BULLETIN A9504		
262 N	WELD LEAK SEALANT		19EA680002		
263 N	TOUCH UP PAINT (GRAY) (SPRAY CAN)		PH23GH022		
264 N	TOUCH UP PAINT (GRAY) (GALLON CAN)		PH23GH022G		
265 N	COMPONENT B BLEND INHIBITOR(4 X 1PT)		PS25AF258		



DOUBLE EFFECT HERMETIC
LIQUID ABSORPTION
CHILLER

16JT

SIZE: 810 880
SERIES: CMX/EBARA

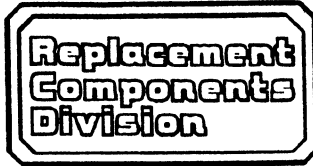
ITM	PART DESCRIPTION	16JT818		16JT821		16JT824		16JT828	
		ALL		ALL		ALL		ALL	
GENERAL PARTS LIST									
1	GASKET, EVAPORATOR WATER BOX	(2)	16JT8106632	(2)	->	(2)	16JT8246632	(2)	->
2	GASKET, ABSORBER WATER BOX	(2)	16JT8106642	(2)	->	(2)	16JT8246642	(2)	->
3	GASKET, CONDENSER WATER BOX	(2)	16JT8166652	(2)	->	(2)	16JT8326652	(2)	->
4	VICTAULIC JOINT (W/B CROSSOVER)		X		X		X	(96)	16JA010386
5	RING GASKET (W/B CROSSOVER)		X		X		X	(30)	16JA010312
6	GENERATOR SOLUTION BOX GASKET	(2)	16JT8165162	(2)	->	(2)	16JT8325162	(2)	->
7	DIV PLT GASKET, 20' LG (EVAP/ABS/COND)		19XB680001		->		->		->
8	DIV PLATE GASKET (1ST STAGE GEN)	(2)	QR02SR116	(2)	->	(2)	->	(2)	->
9	TUBES, ABSORBER		206		242		279		319
10	TUBES, EVAPORATOR		189		219		247		289
11	TUBES, U HI-TEMP GEN G1 LONG/SHORT		30/16		32/19		44/14		46/19
12	TUBES, CONDENSER		134		140		172		200
13	TUBES, LO-TEMP GENERATOR G2		129		143		169		195
14	TUBES, HI-TEMP HEAT EXCHANGER H1		156		177		195		216
15	TUBES, LO-TEMP HEAT EXCHANGER H2	(111)	16JT857224	(124)	16JT857662	(150)	->	(165)	16JT828224
16	SPRAY NOZZLE, ABSORBER	(60)	16JA010386	(60)	->	(96)	16JA010-386	(96)	16JA010386
17	SPRAY NOZZLE, EVAPORATOR	(24)	16JA010312	(24)	->	(30)	->	(30)	->
18	SPRAY NOZZLE, GENERATOR G2	(48)	16JR805372	(48)	->	(56)	->	(56)	->
19A	O-RING, FIRST STAGE GEN. S/B (MEX.)	(46)	KK71EM010	(51)	->	(56)	->	(65)	->
19B	O-RING, FIRST STAGE GEN. S/B (EBARA)	(46)	C16JA01-00068	(51)	->	(58)	->	(65)	->
20A	GASKET, FLOAT BOX (LCD) (PSN WK#7 1996)		16JT8325402		->		->		->
20B	GASKET, FLOAT BOX (LCD) (SSN WK#7 1996)		16JT8325402		->		->		->
20C	GASKET, FLOAT BOX (LCD) (EBARA)		C16JS657-5422		->		->		->
21	REFRIG. LEVEL SWITCH, DISCRETE	(4)	16JT832424	(4)	->	(4)	->	(4)	->
22A	GASKET, REFRIG. LEVEL SWITCH (MEX.)		16JT8325712		->		->		->
22B	GASKET, REFRIG. LEVEL SWITCH (EBARA)		C16JS832-5712		->		->		->
23A	FLOAT VALVE ASY, LCD (MEX.)		16JT816574		->		16JT824574		->
23B	FLOAT VALVE ASY, LCD (EBARA)		C01PP-673921		->		C01PP-673922		->
24	FLOAT DISC (SST)		16JT8165733		->		16JT8245733		->
25	BUSHING HOUSING (SST)	(2)	16JT8105731	(2)	->	(2)	->	(2)	->
26	O-RING (MEX.)	(2)	16JT8105747	(2)	->	(2)	->	(2)	->
27	GASKET (SQUARE)	(3)	16JT8105726	(3)	->	(3)	->	(3)	->
28A	FLOAT BALL (MEX.)		16JT8101091		->		->		->
28B	FLOAT BALL (EBARA)		C01PP-57841		->		->		->
29	STRAIGHT PIN (FLOAT BALL) (SST)	(2)	16JT8105737	(2)	->	(2)	->	(2)	->
30	ARM COLLAR (SST)	(2)	16JT8105734	(2)	->	(2)	->	(2)	->
31	TAPER PIN (SST)	(2)	16JT8105738	(2)	->	(2)	->	(2)	->
32	HOUSING SHIM (SST)	(2)	16JT8105732	(2)	->	(2)	->	(2)	->
33	HIGH LEVEL ELECTRODE, 1ST ST. GEN.		16JT660001		->		->		->
34	LOW LEVEL ELECTRODE, 1ST ST. GEN.		16JT660001		->		->		->
35	EDUCTOR		X		16JT605753		->		X
36	RUPTURE DISC ASY (CARBON) (W/GASKETS)		17Q4317		->		->		->
37	GASKET, RUPTURE DISC (CARBON)	(2)	CR90S2002	(2)	->	(2)	->	(2)	->
38	DISC, RUPTURE (CARBON)		17Q4317		->		->		->
39	RUPTURE DISC ASY (METALIC)		16DF0322014		->		->		->
40	GASKET, RUPTURE DISC (METALIC)	(2)	CT992X501	(2)	->	(2)	->	(2)	->
41	STRAINER ASY (LVG LCD)		C01PP-60771		->		->		->
42	STRAINER ASY (3/4")		16JT810290		->		->		->
43	GASKET, DRAIN TRAP		16JT8101781		->		->		->
44	RING GASKET (2") (DRAIN TRAP PIPING)	(3)	CT99GX4011A	(3)	->	(3)	->	(3)	->
45	RING GASKET (1") (DRAIN TRAP PIPING)	(2)	CT99GX2511A	(2)	->	(2)	->	(2)	->
46	GLOBE VALVE (1") (DRAIN TRAP PIPING)		16JT8241188		->		->		->
47	STRAINER (1") (DRAIN TRAP PIPING)		16JT8102850		->		->		->
48	GROUND UNION 3/8" (DRAIN TRAP PIPING)		16JT8241187		->		->		->

PARTS LIST CATALOG

PARTS LIST PAGE: 007

CATALOG NO.: RCD-3516-005 REV. A
SUPERSEDES: RCD-3516-005 REV.

NOTE: SEE "CATALOG NOTES" ON LAST PAGE FOR EXPLANATION OF SYMBOLISM.



ORDERING INSTRUCTION

1. All orders must include the complete model number and the serial number of the unit on which the parts are to be used, and the part number and description of each part.
2. Dealers should forward orders to their distributor.

GENERAL NOTES

1. This catalog contains those items most commonly required for replacement purposes. If parts other than those cataloged are required, please provide the complete model number and serial number of the unit which the parts are to be used and a complete description including references to items which are cataloged.
2. Casing parts and panels are not normally stocked, but are available upon request. Requests for casing parts and panels for units no longer in production can be quoted through Customer Service, please contact your Customer Service Representative.
3. Complete "Accessory Packages" of "F.I.O.P.'s" (Factory-Installed Option Plan) are not normally stocked or supplied by the Replacement Components Division. (Refer to Master Price Pages and order from your normal source or finished goods.)

Accessory packages and F.I.O.P.'s are listed in this catalog only for reference and to assist in the selection and ordering of replacement components.

4. The replacement parts listed in this catalog are RCD "Factory-Authorized Parts" and, as a result of "standardization", may not be identical to the original part furnished on the equipment.

CATALOG NOTES

1. The part number in the salespackage column indicates the part number required for that model, size, series, and/or voltage.
2. an arrow → in the salespackage column indicates that the model, size, series, and/or voltage uses the same part number as the number shown to the left.
3. An X in the salespackage column indicates that the part is not used on that model, size, series, and/or voltage.
4. A number in parenthesis before the part number indicates the quantity required for that model, size, and/or voltage. Part number only in the column indicates a quantity of one.
5. The notation "N" following the item number indicates that the item is not illustrated in the Graphic Catalog.

