



# DOUBLE EFFECT HERMETIC LIQUID ABSORPTION CHILLER

# 16JT

SIZE: 080 - 150L

SERIES: CMX/EBARA

## SERVICE PARTS GUIDE

GRAPHICS CATALOG INDEX	Revision A	PAGE:
MACHINE ASSEMBLY GRAPHICS.....		1 - 9

PARTS LIST CATALOG INDEX	Revision A	PAGE:
16JT080 - 16JT090L .....		1 - 8
16JT100 - 16JT110L .....		9 - 16
16JT120 - 16JT135 .....		17 - 24
16JT150 - 16JT150L .....		25 - 32

### ATTENTION: PLEASE FILE THIS INFORMATION AS A FINAL RELEASE

Attached you will find information that will be released as a two part Service Parts Guide. A Service Parts Guide consists of "Graphics Catalog" and "Parts List Catalog". The common link between these two types of catalogs is the CATALOG NUMBER ONLY!! The revision block that follows the Catalog No. is used as a way to update one or both parts of the Service Parts Guide. This Index Page is a reference to let the Service Parts Center know what has been released on the model listed above.

Information about This Release

8/27/97

<b>Parts List Catalog</b>	
Catalog No: RCD-3516-004	Rev. A
Supersedes: RCD-3516-004	Rev.

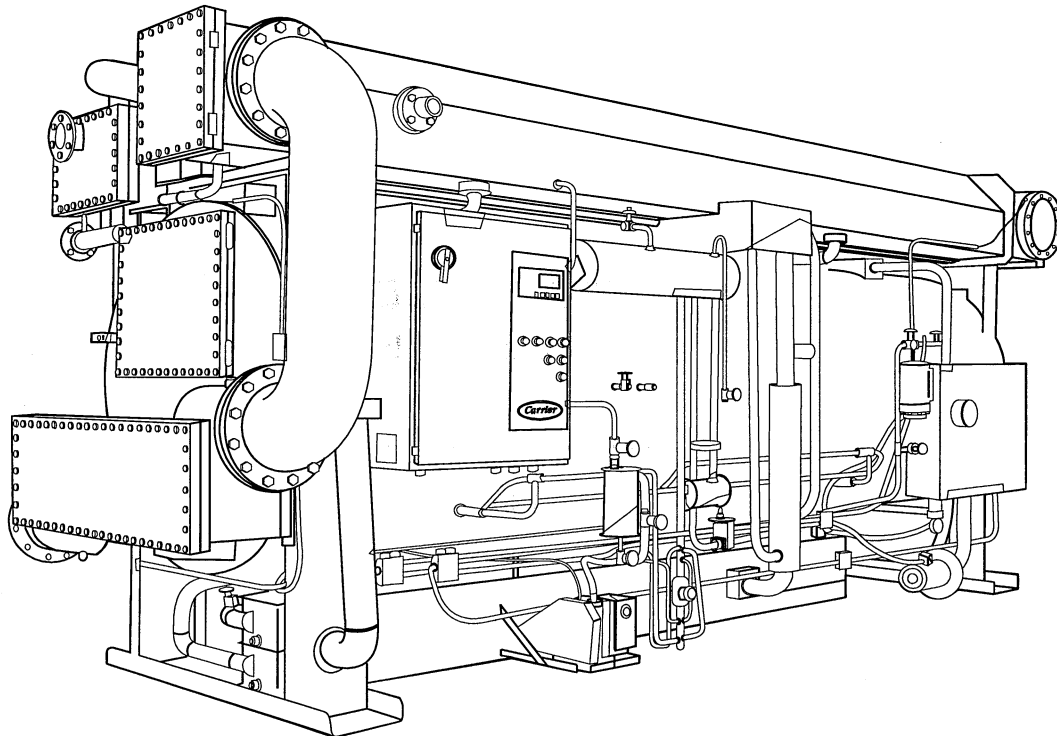
INDEX  
Litho in U.S.A



Electronic Graphics 16004000



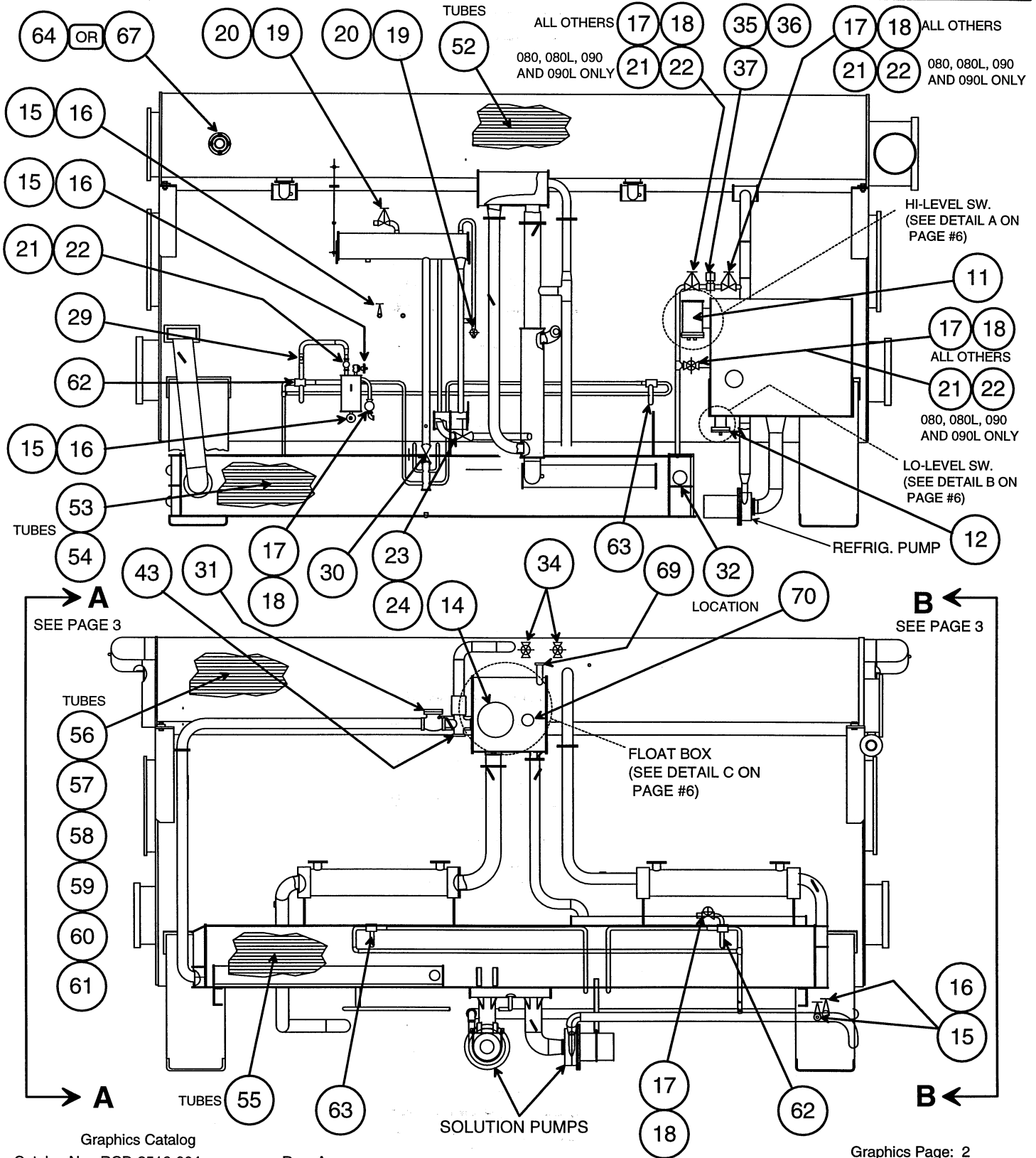
**16JT ABSORPTION CHILLER SERVICE PARTS GUIDE**

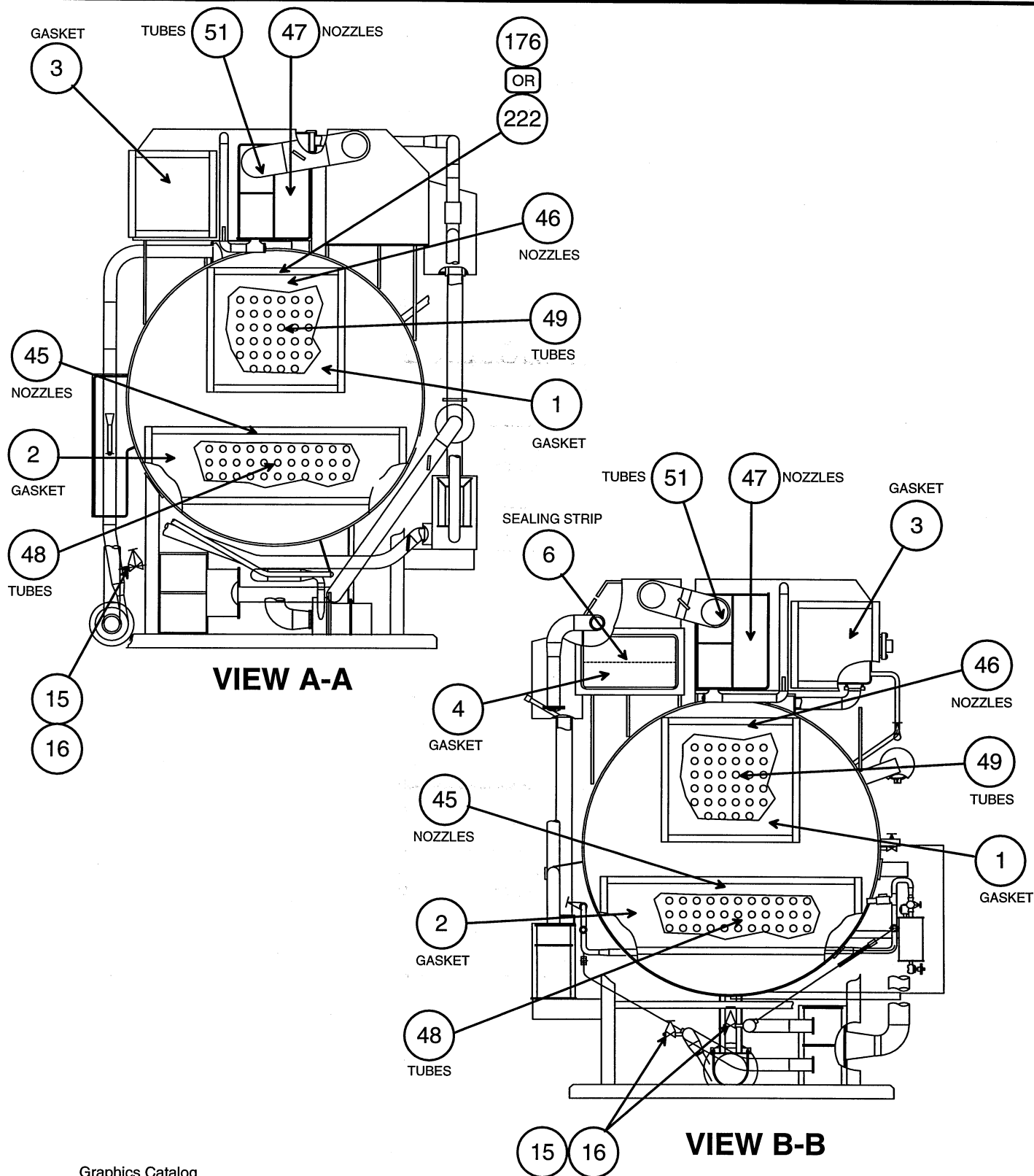


**HOW TO USE THIS CATALOG**

- 1. THIS CATALOG PRESENTS THE MOST COMMONLY USED SPECIFIED PARTS FOR THE STANDARD 16JT DOUBLE EFFECT ABSORPTION CHILLER AND IS NOT APPLICABLE TO ANY SPECIAL ORDER MACHINES. (CONTACT CARRIER WITH MACHINE SERIAL NUMBER FOR ANY SPECIAL ORDER UNIT PARTS.)**
- 2. OCCASIONALLY DUE TO LIMITATIONS OF ILLUSTRATIONS USED, A PART MAY NOT BE ILLUSTRATED, THESE PARTS ARE IDENTIFIED BY "N" IN THE COLUMN NEXT TO THE ITEM NUMBER.**
- 3. POSITIVE IDENTIFICATION OF YOUR MACHINE TO PROPERLY SELECT PARTS MAY BE DONE BY REFERRING TO THE MACHINE NAME PLATE.**







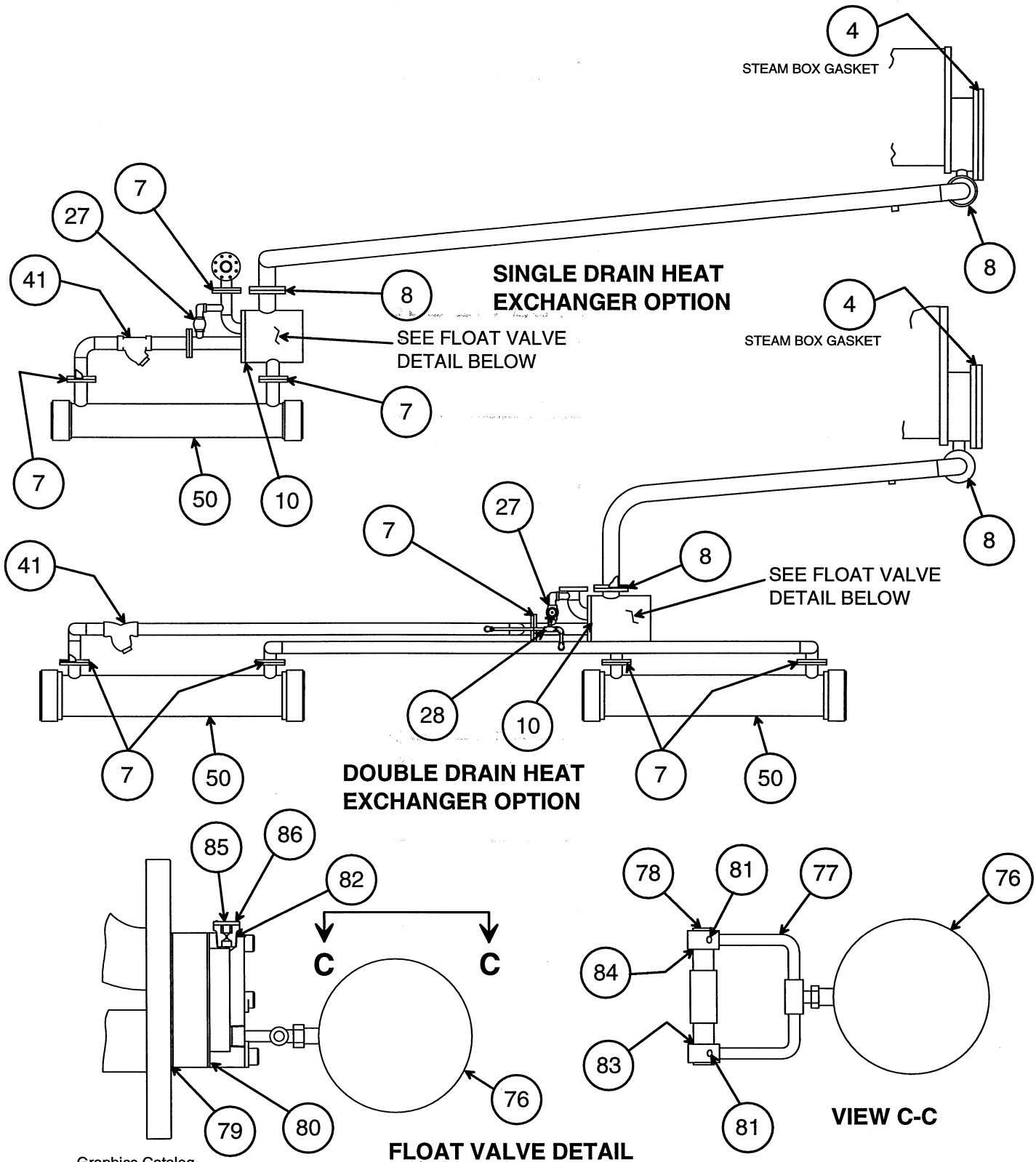
Graphics Catalog  
 Catalog No: RCD-3516-004  
 Supersedes: RCD-3516-004

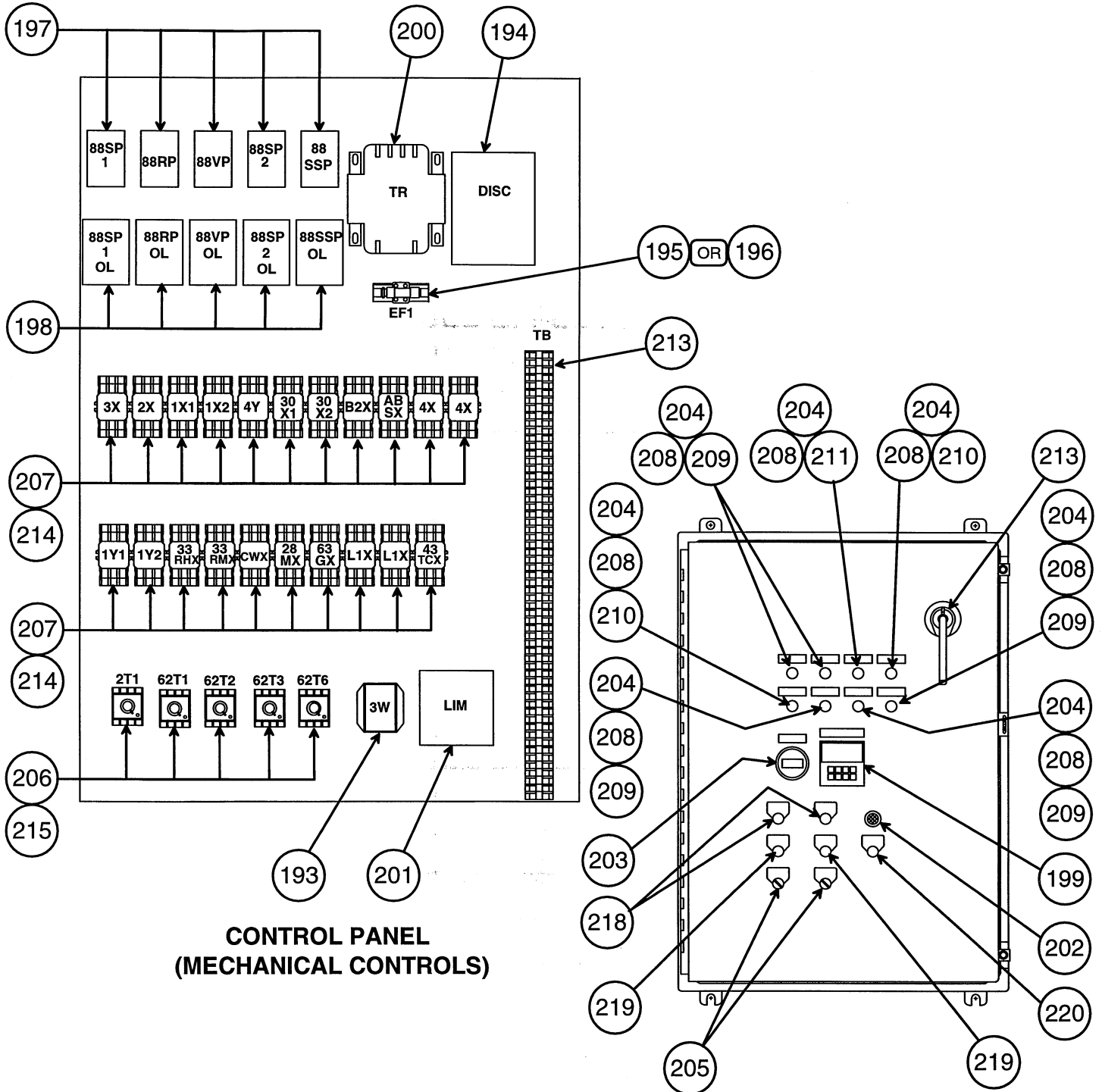
Rev. A  
 Rev.

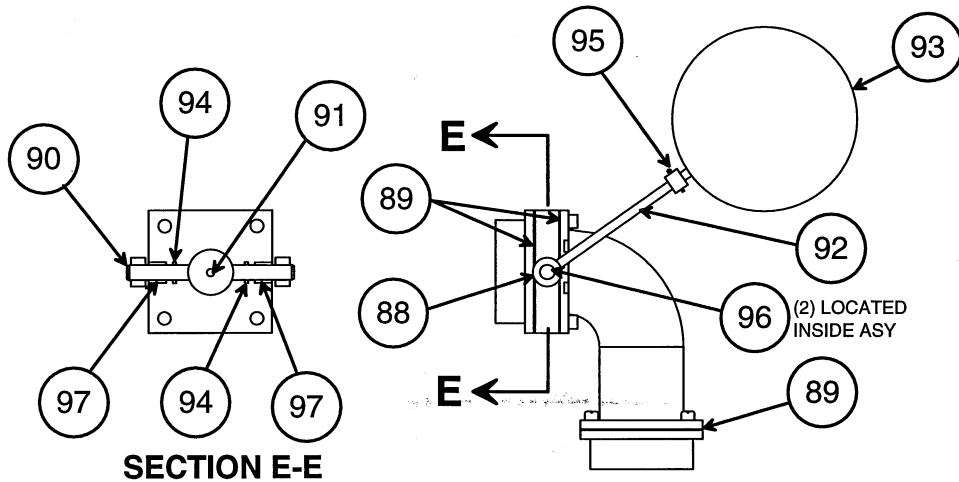
Note: See "Catalog Notes" on last page for explanation of symbolism.

Graphics Page: 3  
 Litho in U.S.A

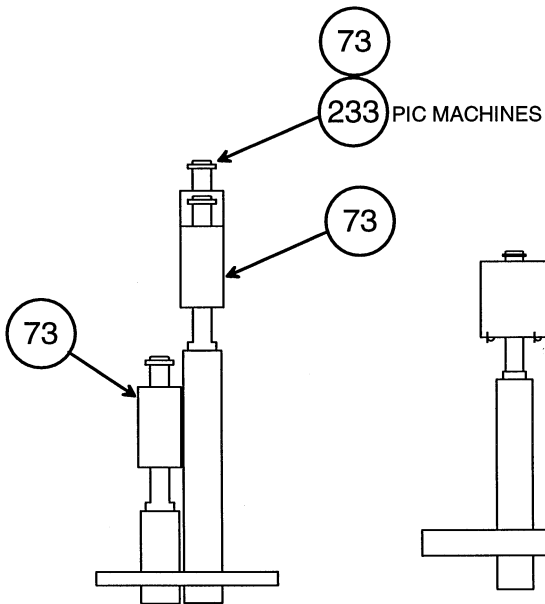






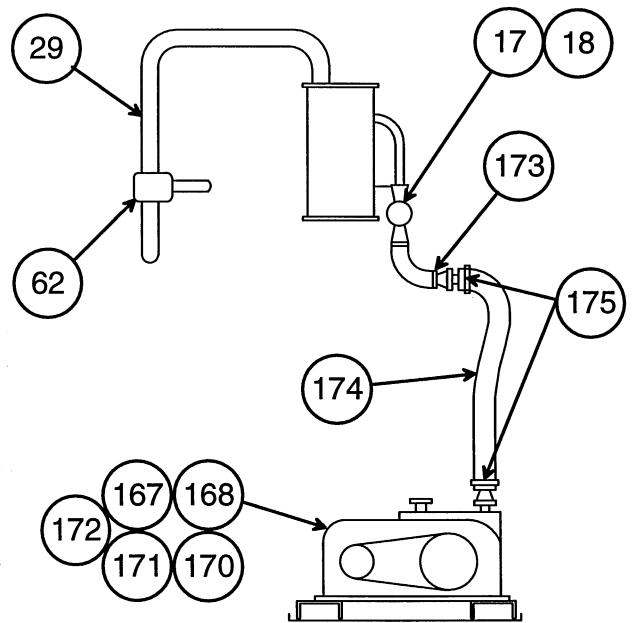


**DETAIL C  
HI-TEMP. GENERATOR  
FLOAT VALVE**



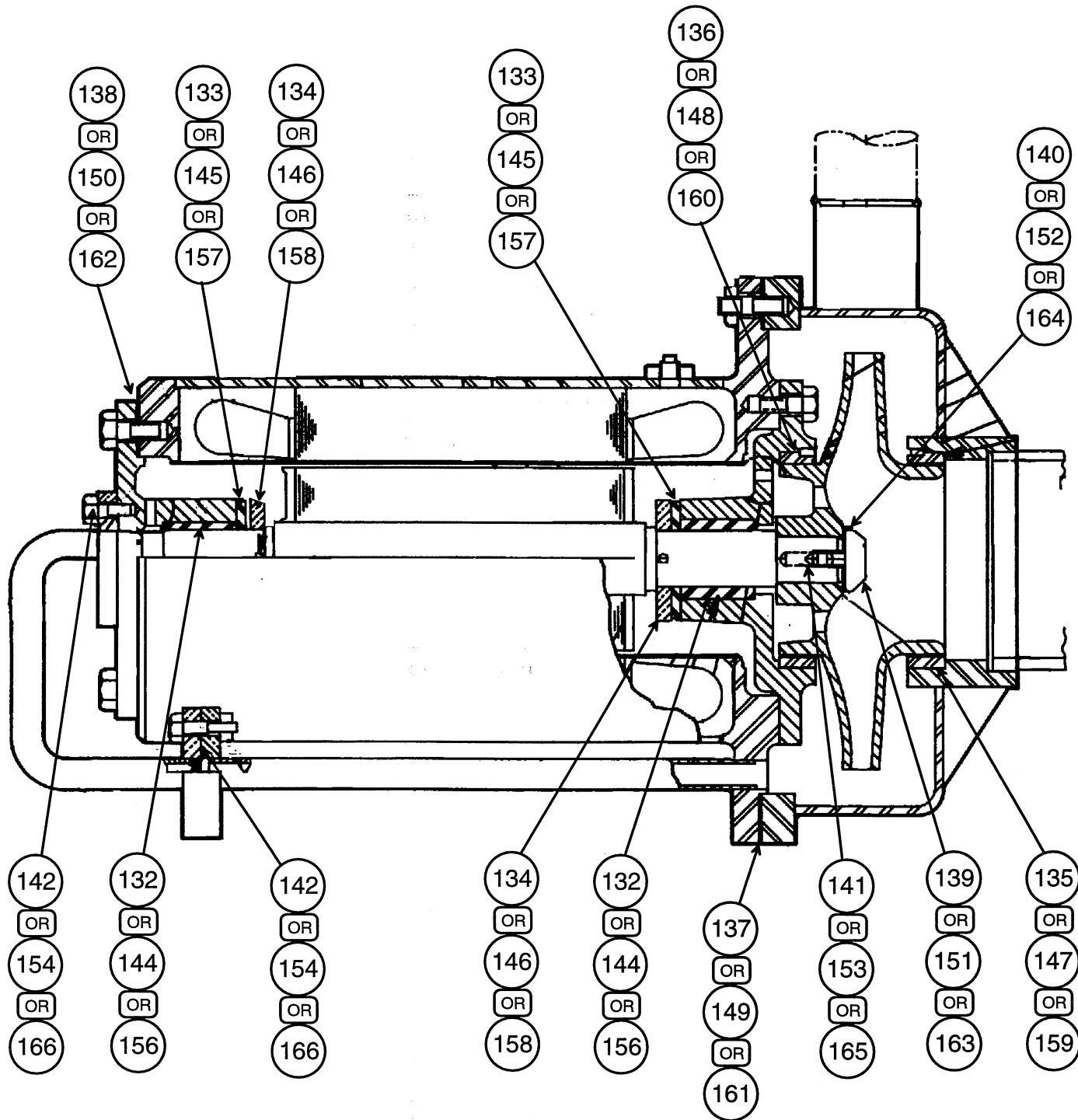
**DETAIL A  
HI-LEVEL SWITCH**

**DETAIL B  
LO-LEVEL SWITCH**



**VACUUM PUMP DETAIL**





**TYPICAL EBARA REFIG. AND SOLUTION PUMP**

Graphics Catalog  
 Catalog No: RCD-3516-004  
 Supersedes: RCD-3516-004

Rev.A  
 Rev.

Graphics Page: 7  
 Litho in U.S.A

Note: See "Catalog Notes" on last page for explanation of symbolism.

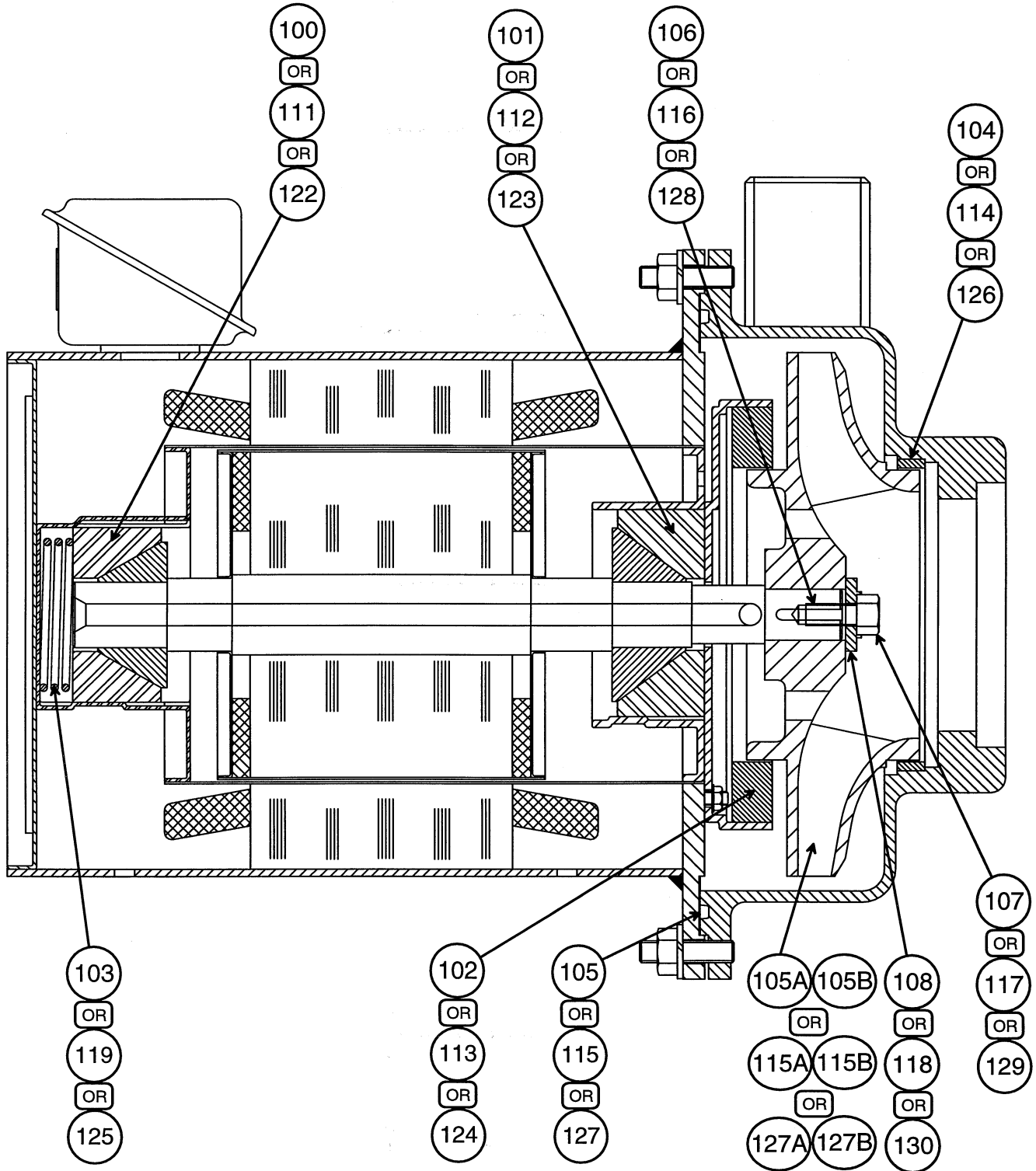


**DOUBLE EFFECT HERMETIC  
LIQUID ABSORPTION CHILLER**

**16JT**

SIZE: 080 - 150L

SERIES: CMX/EBARA



**TYPICAL CMX REFIG. AND SOLUTION PUMP**

Graphics Catalog  
Catalog No: RCD-3516-004  
Supersedes: RCD-3516-004

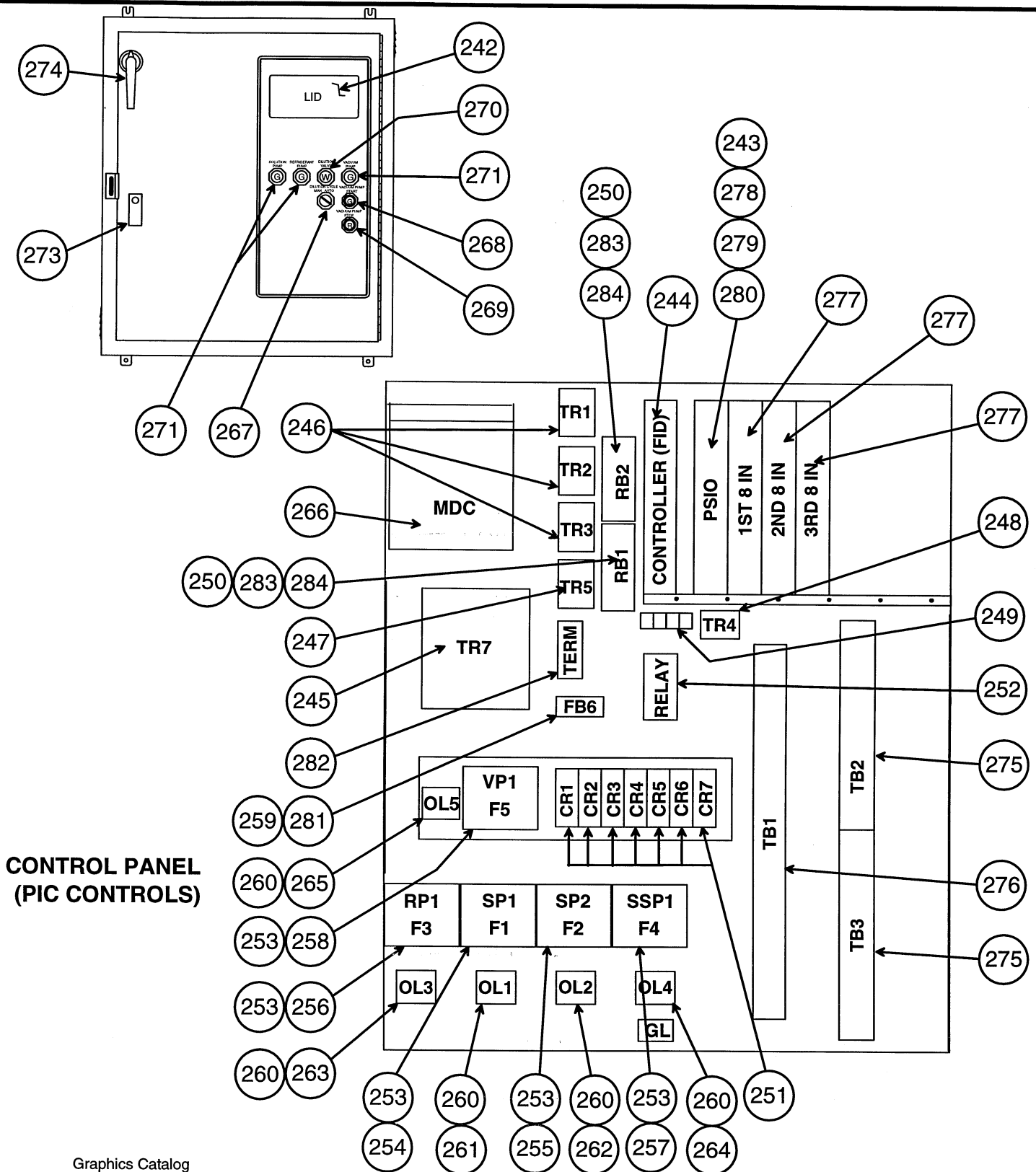
Rev. A  
Rev.

Graphics Page: 8  
Litho in U.S.A

Note: See "Catalog Notes" on last page for explanation of symbolism.



**Electronic Graphics 16004008**







DOUBLE EFFECT HERMETIC  
LIQUID ABSORPTION  
CHILLER

16JT

SIZE: 080 150  
SERIES: CMX/EBARA

ITM	PART DESCRIPTION	16JT 080		16JT 080L		16JT 090		16JT 090L	
		ALL VOLTAGES		ALL VOLTAGES		ALL VOLTAGES		ALL VOLTAGES	
GENERAL PARTS LIST									
1A	GASKET, EVAPORATOR WATER BOX (150#)	(2)	16JT08034333	(2)	->	(2)	16JT09034333	(2)	->
1B	GASKET, EVAPORATOR WATER BOX (300#)	(2)	16JT08034334	(2)	->	(2)	16JT09034334	(2)	->
2A	GASKET, ABSORBER WATER BOX (150#)	(2)	16JT08034033	(2)	->	(2)	16JT09034033	(2)	->
2B	GASKET, ABSORBER WATER BOX (300#)	(2)	16JT08034034	(2)	->	(2)	16JT09034034	(2)	->
3A	GASKET, CONDENSER WATER BOX (150#)	(2)	16JT08044033	(2)	->	(2)	16JT09044033	(2)	->
3B	GASKET, CONDENSER WATER BOX (300#)	(2)	16JT08044034	(2)	->	(2)	16JT09044034	(2)	->
4	GASKET, STEAM BOX COVER		16JT08054032		->		16JT09054032		->
5 N	GASKET, DIV. PLT. (20') (EVAP/ABS/COND)		16JB680043		->		->		->
6 N	GASKET, PARTITION (HI-TEMP. GEN.)	(2)	16JT08016022	(2)	->	(2)	->	(2)	->
7	GASKET, RING (2") (COND. DRAIN PIPING)	(5)	CT99QX401	(5)	->	(5)	->	(5)	->
8	GASKET, RING (3") (COND. DRAIN PIPING)	(2)	CT99QX501	(2)	->	(2)	->	(2)	->
9AN	GASKET, CROSSOVER PIPE (ABS/COND) (150#)	(2)	CT99QX951	(2)	->	(2)	->	(2)	->
9BN	GASKET, CROSSOVER PIPE (ABS/COND) (300#)	(2)	16JT08013516	(2)	->	(2)	->	(2)	->
10	GASKET (COND. DRAIN FLOAT HOUSING)		16JT09017813		->		->		->
11	GASKET, HI-REFRIG. LEVEL SWITCH HSG.		16JT8325712		->		->		->
12	GASKET, LO-REFRIG. LEVEL SWITCH HSG.		16JT09031923		->		->		->
14A	GASKET, FLOAT BOX (LCD) (SSN WK#7 1996)		16JT8575402		->		16JT09051563		->
14B	GASKET, FLOAT BOX (LCD) (PSN WK#7 1996)		16JT09051563		->		->		->
15	VALVE, DIAPHRAM (1/2") (SCREWED)	(6)	EF71CA181	(6)	->	(6)	->	(6)	->
16A	DIAPHRAM REPLACEMENT (MEX.)		EF79ZA181		->		->		->
16B	DIAPHRAM REPLACEMENT (EBARA)		C01PP-61102		->		->		->
17	VALVE, DIAPHRAM (1") (WELDED)	(2)	16JT8102473	(2)	->	(2)	->	(2)	->
18A	DIAPHRAM REPLACEMENT (MEX.)		16JT680026		->		->		->
18B	DIAPHRAM REPLACEMENT (EBARA)		C01PP-61104		->		->		->
19	VALVE, DIAPHRAM (1/2") (WELDED)	(2)	16JT8102472	(2)	->	(2)	->	(2)	->
20A	DIAPHRAM REPLACEMENT (MEX.)		16JT680024		->		->		->
20B	DIAPHRAM REPLACEMENT (EBARA)		C01PP-61102		->		->		->
21	VALVE, DIAPHRAM (3/4") (WELDED)	(4)	16JT8102475	(4)	->	(4)	->	(4)	->
22A	DIAPHRAM REPLACEMENT (MEX.)		16JT680025		->		->		->
22B	DIAPHRAM REPLACEMENT (EBARA)		C01PP-61103		->		->		->
23	VALVE, DIAPHRAM (1-1/2") (WELDED)		16JT8102476		->		->		->
24A	DIAPHRAM REPLACEMENT (MEX.)		16JT680028		->		->		->
24B	DIAPHRAM REPLACEMENT (EBARA)		C01PP-61105		->		->		->
25	VALVE, DIAPHRAM (1") (WELDED)		EF71ZM006		->		->		->
26A	DIAPHRAM REPLACEMENT (MEX.)		EF79ZM006		->		->		->
26B	DIAPHRAM REPLACEMENT (EBARA)		C01PP-61104		->		->		->
27	VALVE, GLOBE (3/4") (COND. DRAIN)		16JT8241189		->		->		->
28	VALVE, GLOBE (3/8") (COND. DRAIN)		16JT8241188		->		->		->
29	VALVE, CHECK (1") (WELDED)		16DF07024053		->		->		->
30	VALVE, CHECK (2") (WELDED)		16DF07024056		->		->		->
31	VALVE, CHECK (2-1/2") (WELDED)		16DF07024057		->		->		->
32	VALVE, CHECK (2-1/2") (WELDED)	(2)	X	(2)	X	(2)	X	(2)	X
33	VALVE, CHECK (3") (WELDED)	(2)	C01PP-63782	(2)	->	(2)	->	(2)	->
34	VALVE, BALL (1/2") (HI-TEMP. GENERATOR)	(2)	EP71CQ181	(2)	->	(2)	->	(2)	->
35A	VALVE, SOLENOID (1")		X		X		X		X
35B	VALVE, SOLENOID (3/4")		16JT08010300		->		->		->
36AN	SOLENOID VALVE REPAIR KIT (1")		X		X		X		X
36BN	SOLENOID VALVE REPAIR KIT (3/4")		16JT680034		->		->		->
37 N	SOLENOID COIL (3/4" & 1")		16JT680035		->		->		->
40A	GAUGE, COMPOUND (MEX.)		16DF04090062		->		->		->
40B	GAUGE, COUPOUND (EBARA)		C01PP-57421		->		->		->
41	STRAINER, "Y" (COND. DRAIN)		16JT8102852		->		->		->
42 N	STRAINER ASY (EJECTOR PIPING)	(3)	16JA010111	(3)	->	(3)	->	(3)	->
43	STRAINER ASY, TEE (SOLUTION)		16JT0805188		->		16JT1105188		->

PARTS LIST CATALOG

PARTS LIST PAGE: 001

CATALOG NO.: RCD-3516-004 REV. A  
SUPERSEDES : RCD-3516-004 REV.

NOTE: SEE "CATALOG NOTES" ON LAST PAGE FOR EXPLANATION OF SYMBOLISM.



DOUBLE EFFECT HERMETIC  
LIQUID ABSORPTION  
CHILLER

16JT

SIZE: 080 150  
SERIES: CMX/EBARA

ITM	PART DESCRIPTION	16JT 080		16JT 080L		16JT 090		16JT 090L	
		ALL VOLTAGES		ALL VOLTAGES		ALL VOLTAGES		ALL VOLTAGES	
<b>GENERAL PARTS LIST</b>									
44	PLUG,PIPE (1") (SDL, STRAINER)	(4)	CA63AA251	(4)	->	(4)	->	(4)	->
45	NOZZLE,SPRAY (ABSORBER)	(324)	16JA010386	(378)	->	(369)	->	(432)	->
46	NOZZLE,SPRAY (EVAPORATOR)	(112)	16DF0052823	(128)	->	(128)	->	(144)	->
47	NOZZLE,SPRAY(LO-TEMP. GENERATOR)	(213)	16DF0052803	(213)	->	(240)	->	(240)	->
48	TUBE,ABSORBER	(539)	16JT09090103	(539)	16JT12590103	(600)	16JT09090103	(600)	16JT12590103
49	TUBE,EVAPORATOR	(476)	16JT09090203	(476)	16JT12590253	(536)	16JT09090203	(536)	16JT12590253
50	HEAT EXCHANGER,DRAIN TRAP		16JT0906402		->		->		->
51	TUBE,LO-TEMP. GENERATOR	(284)	16JA0502992	(284)	16JT13690103	(318)	16JA0502992	(318)	16JT13690103
52	TUBE,CONDENSER	(241)	16JT09090103	(241)	16JT12590103	(284)	16JT09090103	(284)	16JT12590103
53	TUBE,LO-TEMP. HEAT EXCHANGER	(494)	16JT08090303	(494)	->	(552)	->	(552)	->
54	TUBE INSERT,LO-TEMP.HEAT EXCHANGER	(494)	16JT08090308	(494)	->	(552)	->	(552)	->
55	TUBE,HI-TEMP. HEAT EXCHANGER	(384)	16JT08090313	(435)	->	(435)	->	(486)	->
56	U-TUBE,HI-TEMP. GENERATOR (1"RADIUS)	(25)	16JT09090403	(25)	16JT12590403	(27)	16JT09090403	(27)	16JT12590403
57	U-TUBE,HI-TEMP. GENERATOR (2"RADIUS)	(25)	16JT09090413	(25)	16JT12590413	(27)	16JT09090413	(27)	16JT12590413
58	U-TUBE,HI-TEMP. GENERATOR (3"RADIUS)	(25)	16JT09090423	(25)	16JT12590423	(26)	16JT09090423	(26)	16JT12590423
59	U-TUBE,HI-TEMP. GENERATOR (4"RADIUS)	(25)	16JT09090433	(25)	16JT12590433	(26)	16JT09090433	(26)	16JT12590433
60	U-TUBE,HI-TEMP. GENERATOR (5"RADIUS)	(21)	16JT09090443	(21)	16JT12590443	(24)	16JT09090443	(24)	16JT12590443
61	U-TUBE,HI-TEMP. GENERATOR (6"RADIUS)		X		X		X		X
62	EDUCTOR ASY.	(2)	16JT605755	(2)	->	(2)	->	(2)	->
63	EDUCTOR ASY.	(2)	16JT610743	(2)	->	(2)	->	(2)	->
64	RUPTURE DISC ASY (CARBON)(W/GASKETS)		1704317		->		->		->
65	GASKET,RUPTURE DISC (CARBON)	(2)	CR90S2002	(2)	->	(2)	->	(2)	->
66	DISC,RUPTURE (CARBON)		1704317		->		->		->
67	RUPTURE DISC ASY (METALIC)		16DF0322014		->		->		->
68	GASKET,RUPTURE (METALIC)	(2)	CT992X501	(2)	->	(2)	->	(2)	->
69	PROBE,LEVEL (HI-TEMP. GENERATOR)		16JT660001		->		->		->
70A	SIGHT GLASS(LCD FLOAT HSG.)(SCREWED)		KM36BZ002		->		->		->
70B	SIGHT GLASS(LCD FLOAT HSG.)(WELDED)		C01PP-5751		->		->		->
71	GASKET,INNER (SIGHT GLASS)		CSP-N07852		->		->		->
72	GASKET,OUTER (SIGHT GLASS)		C01PP-57516		->		->		->
73	FLOAT ASY,HI-REFRIG. LEVEL SWITCH	(3)	16JT832424	(3)	->	(3)	->	(3)	->
74	FLOAT ASY,LO-REFRIG. LEVEL SWITCH		16JT832424		->		->		->
75A	FLOAT VALVE ASY,COND. DRAIN (MEX.)		16JT0901786		->		->		->
75B	FLOAT VALVE ASY,COND. DRAIN (EBARA)		AAW090C-1786		->		->		->
76A	BALL,FLOAT (MEX.)		16JT8101097		->		->		->
76B	BALL,FLOAT (EBARA)		CSP-B02042		->		->		->
77	ARM,FLOAT		16JT0901787		->		->		->
78	SHAFT(FLOAT VALVE)		16JT09017861		->		->		->
79	GASKET(FLOAT VALVE)(W/HOLES)		16JT09017867		->		->		->
80	GASKET(FLOAT VALVE)(W/SLOT)		16JT09017869		->		->		->
81	PIN,TAPER(FLOAT VALVE)	(2)	16JT8241186	(2)	->	(2)	->	(2)	->
82	PLUG,RELIEF(FLOAT VALVE)		16JT8245071		->		->		->
83	BUSHING(FLOAT VALVE)(L=3/4)		16JT8245077		->		->		->
84	BUSHING(FLOAT VALVE)(L=5/8)		16JT8245078		->		->		->
85	STRAINER(FLOAT VALVE)		16JT8245441		->		->		->
86	WASHER,RETAINING(FLOAT VALVE)		16JT8245442		->		->		->
87A	FLOAT VALVE ASY,LCD (MEX.)		16JT0805101		->		16JT1105101		->
87B	FLOAT VALVE ASY,LCD (EBARA)		AAW080-5101		->		AAW110-5101		->
88	COLLAR,ARM (LCD)	(2)	16JT08051031	(2)	->	(2)	->	(2)	->
89	GASKET (LCD)	(3)	16JT08051071	(3)	->	(3)	->	(3)	->
90	SHAFT (LCD)		16JT08051011		->		16JT11051011		->
91	DISC,FLOAT (LCD)		16JT08051021		->		16JT11051021		->
92	ARM,FLOAT (LCD)	(2)	16JT08051062	(2)	->	(2)	16JT11051062	(2)	->
93A	BALL,FLOAT (LCD) (MEX.)		16JT8101092		->		->		->

PARTS LIST CATALOG

PARTS LIST PAGE: 002

CATALOG NO. : RCD-3516-004 REV. A  
SUPERSEDES : RCD-3516-004 REV.

NOTE: SEE "CATALOG NOTES" ON LAST PAGE FOR EXPLANATION OF SYMBOLISM.

# 16JT



## DOUBLE EFFECT HERMETIC LIQUID ABSORPTION CHILLER

SIZE: 080 150  
SERIES: CMX/EBARA

ITM	PART DESCRIPTION	16JT 080	16JT 080L	16JT 090	16JT 090L
		ALL VOLTAGES	ALL VOLTAGES	ALL VOLTAGES	ALL VOLTAGES
<b>GENERAL PARTS LIST</b>					
93B	BALL,FLOAT (LCD) (EBARA)	C01PP-57842	->	->	->
94	O-RING (LCD) (MEX.)	(2) 16JT8105748	(2) ->	(2) ->	(2) ->
95	PIN,STRAIGHT (LCD)	(2) 16JT8575737	(2) ->	(2) ->	(2) ->
96	PIN,TAPER (LCD)	(2) 16JT8575738	(2) ->	(2) ->	(2) ->
97A	BUSHING,HSG. (LCD) (PSN WK#7 1996)	(2) 16JT8105731	(2) ->	(2) ->	(2) ->
97B	BUSHING,HSG. (LCD) (SSN WK#7 1996)	(2) 16JT8575741	(2) ->	(2) ->	(2) ->
<b>PUMP GROUP</b>					
98A	PUMP,SOL.(7.5HP)(230/460-60HZ)(MEX.)	(2) 16JT0801076	(2) 16JT0901076	(2) ->	(2) 16JT8541076
98B	PUMP,SOL.(7.5HP)(575-60HZ)(MEX.)	(2) 16JT0801076-1	(2) 16JT0901076-1	(2) ->	(2) 16JT8541076-1
98C	PUMP,SOL.(7.5HP)(380-60HZ)(MEX.)	(2) 16JT0801076-3	(2) 16JT0901076-3	(2) ->	(2) 16JT8541076-3
99	MOTOR REPLACEMENT KIT (7.5HP)	16JT660004	->	->	->
100	BEARING,FRONT	16JT680011	->	->	->
101	BEARING,DRIVE	16JT680012	->	->	->
102	RING,MOTOR	16JT680020	->	->	->
103	SPRING	16JT680016	->	->	->
104	RING,CASING	KK09XD015	->	->	->
105	O-RING	16JT680017	->	->	->
105A	IMPELLER (60HZ)	KK75XA545	KK75XA596	->	KK75XA594
105B	IMPELLER (50HZ)	KK75XA549	KK75XA599	->	NOT AVAIL. AT REL.
106	KEY,IMPELLER	16JT680007	->	->	->
107	LOCKING SCREW,IMPELLER	16JB680048	->	->	->
108	WASHER,IMPELLER	16JB680044	->	->	->
109A	PUMP,REF.(5HP)(230/460-60HZ)(MEX.)	16JT0801075	->	->	16JT1001075
109B	PUMP,REF.(5HP)(575-60HZ)(MEX.)	16JT0801075-1	->	->	16JT1001075-1
109C	PUMP,REF.(5HP)(380-60HZ)(MEX.)	16JT0801075-3	->	->	16JT1001075-3
110	MOTOR REPLACEMENT KIT (5HP)	16JB660032	->	->	->
111	BEARING,FRONT	16JT680011	->	->	->
112	BEARING,DRIVE	16JT680011	->	->	->
113	RING,MOTOR	KK09XD320	->	->	->
114	RING,CASING	KK09XD015	->	->	->
115	GASKET	16JT680009	->	->	->
115A	IMPELLER (60HZ)	KK75XA602	->	->	KK75XA603
115B	IMPELLER (50HZ)	KK75XA604	->	->	NOT AVAIL. AT REL.
116	KEY,IMPELLER	16JT680006	->	->	->
117	LOCKING SCREW,IMPELLER	KT592P031	->	->	->
118	WASHER,IMPELLER	KT592P021	->	->	->
119	SPRING	16JT680015	->	->	->
120A	PUMP,SOL.SPR(3HP)(230/460-60HZ)(MEX.)	X	X	X	X
120B	PUMP,SOL.SPR(3HP)(575-60HZ)(MEX.)	X	X	X	X
120C	PUMP,SOL.SPR(3HP)(380-60HZ)(MEX.)	X	X	X	X
121	MOTOR REPLACEMENT KIT (3HP)	X	X	X	X
122	BEARING,FRONT	X	X	X	X
123	BEARING,DRIVE	X	X	X	X
124	RING,MOTOR	X	X	X	X
125	SPRING	X	X	X	X
126	RING,CASING	X	X	X	X
127	GASKET	X	X	X	X
127A	IMPELLER (60HZ)	X	X	X	X
127B	IMPELLER (50HZ)	X	X	X	X
128	KEY,IMPELLER	X	X	X	X
129	LOCKING SCREW,IMPELLER	X	X	X	X
130	WASHER,IMPELLER	X	X	X	X
131A	PUMP,SOLUTION (208V-60HZ) (EBARA)	(2) AAW025-6815X1	(2) AAW100-6815X1	(2) ->	(2) AAW125-6815X1
131B	PUMP,SOLUTION (460V-60HZ) (EBARA)	(2) AAW025-6918X1	(2) AAW100-6918X1	(2) ->	(2) AAW125-6918X1

PARTS LIST CATALOG

PARTS LIST PAGE: 003

CATALOG NO.: RCD-3516-004 REV. A  
SUPERSEDES: RCD-3516-004 REV.

NOTE: SEE "CATALOG NOTES" ON LAST PAGE FOR EXPLANATION OF SYMBOLISM.



DOUBLE EFFECT HERMETIC  
LIQUID ABSORPTION  
CHILLER

16JT

SIZE: 080 150  
SERIES: CMX/EBARA

ITM	PART DESCRIPTION	16JT 080	16JT 080L	16JT 090	16JT 090L
		ALL VOLTAGES	ALL VOLTAGES	ALL VOLTAGES	ALL VOLTAGES
<b>PUMP GROUP</b>					
131C	PUMP,SOLUTION (480V-60HZ) (EBARA)	(2) AAN025-6919X1	(2) AAN100-6919X1	(2) ->	(2) AAN125-6919X1
132	BEARING,RADIAL	(2) C16JA032-8222	(2) C16JA097-8222	(2) ->	(2) ->
133	BEARING,THRUST	(2) C16JA032-8212	(2) C16JA097-8212	(2) ->	(2) ->
134	COLLAR,THRUST	(2) C16JH032-8202	(2) C16JH041-8202	(2) ->	(2) ->
135	WEAR RING,PUMP CASING	C16JH032-8232	->	->	->
136	WEAR RING,MOTOR SIDE	C16JH041-8232	->	->	->
137	GASKET,CASING SIDE	C16JA097-8532	->	->	->
138	GASKET,END COVER SIDE	C16JA032-9242	C16JA097-9242	->	->
139	LOCK NUT,IMPELLER	C16JA032-9222	->	->	->
140	WASHER,IMPELLER	C16JA032-9232	->	->	->
141	KEY,IMPELLER	C16JA032-9212	->	->	->
142	O-RING	(2) C16JA010-8262	->	->	->
143A	PUMP,REFRIGERANT (208V-60HZ) (EBARA)	AAD040-6815X1	->	->	AAN110-6815X1
143B	PUMP,REFRIGERANT (460V-60HZ) (EBARA)	AAD040-6918X1	->	->	AAN110-6918X1
143C	PUMP,REFRIGERANT (480V-60HZ) (EBARA)	AAD040-6919X1	->	->	AAN110-6919X1
144	BEARING,RADIAL	(2) C16JA010-8222	(2) ->	(2) ->	(2) ->
145	BEARING,THRUST	(2) C16JA010-8212	(2) ->	(2) ->	(2) ->
146	COLLAR,THRUST	(2) C16JH014-8202	(2) ->	(2) ->	(2) C16JA018-8242
147	WEAR RING,PUMP CASING	C16JA010-8232	->	->	->
148	WEAR RING,MOTOR SIDE	C16JA012-8232	->	->	->
149	GASKET,CASING SIDE	C16JA014-8532	->	->	->
150	GASKET,END COVER SIDE	C16JA010-9242	->	->	->
151	LOCK NUT,IMPELLER	C16JA010-9222	->	->	->
152	WASHER,IMPELLER	C16JA010-9232	->	->	->
153	KEY,IMPELLER	C16JA010-9212	->	->	->
154	O-RING	(2) C16JA010-8262	(2) ->	(2) ->	(2) ->
155A	PUMP,SOL. SPRAY (208V-60HZ) (EBARA)	X	X	X	X
155B	PUMP,SOL. SPRAY (460V-60HZ) (EBARA)	X	X	X	X
155C	PUMP,SOL. SPRAY (480V-60HZ) (EBARA)	X	X	X	X
156	BEARING,RADIAL	X	X	X	X
157	BEARING,THRUST	X	X	X	X
158	COLLAR,THRUST	X	X	X	X
159	WEAR RING,PUMP CASING	X	X	X	X
160	WEAR RING,MOTOR SIDE	X	X	X	X
161	GASKET,CASING SIDE	X	X	X	X
162	GASKET,END COVER SIDE	X	X	X	X
163	LOCK NUT,IMPELLER	X	X	X	X
164	WASHER,IMPELLER	X	X	X	X
165	KEY,IMPELLER	X	X	X	X
166	O-RING	X	X	X	X
167	VACUUM PUMP (10.6 CFM)(230/460-3-60)	16JT8248301	->	->	->
168	VACUUM PUMP (10.6 CFM)(575-3-60)	16JT8248302	->	->	->
170	VACUUM PUMP (.9 CFM)(230/460-3-60)	16JT8248305	->	->	->
171	VACUUM PUMP (.9 CFM)(575-3-60)	16JT8248306	->	->	->
172	VACUUM PUMP (.9 CFM)(380-3-60)	16JT8248307	->	->	->
173	FITTING,BARBED (3/4 NPT X 1/2 I.D.)	16JT8577314	->	->	->
174	TUBING,VACUUM 5'LONG (CUT TO SUIT)	16JT8577334	->	->	->
175	CLAMP	(2) KA69JM828	(2) ->	(2) ->	(2) ->
<b>MECHANICAL CONTROLS GROUP</b>					
176	SWITCH,LOW TEMP. (CHILLED WATER)	16JT8106656	->	->	->
177	SWITCH,HIGH TEMP. (HIGH TEMP. GEN.)	11B06-46	->	->	->
178	SWITCH,HIGH PRESS. (HIGH TEMP. GEN.)	16DF04090070	->	->	->
179	SWITCH,TEMP. (SPRAY LINE)	11B06-46	->	->	->
180	PROBE,LEVEL (HI-TEMP. GEN.)	16JT660001	->	->	->

PARTS LIST CATALOG

PARTS LIST PAGE: 004

CATALOG NO.: RCD-3516-004 REV. A  
SUPERSEDES : RCD-3516-004 REV.

NOTE: SEE "CATALOG NOTES" ON LAST PAGE FOR EXPLANATION OF SYMBOLISM.



DOUBLE EFFECT HERMETIC  
LIQUID ABSORPTION  
CHILLER

16JT

SIZE: 080 150  
SERIES: CMX/EBARA

ITM	PART DESCRIPTION	16JT 080	16JT 080L	16JT 090	16JT 090L
		ALL VOLTAGES	ALL VOLTAGES	ALL VOLTAGES	ALL VOLTAGES
<b>MECHANICAL CONTROLS GROUP</b>					
181	SWITCH, REED (12")	16JT8101090	->	->	->
182	SWITCH, REED (18")	16JT8321090	->	->	->
183	SWITCH, REED (20")	16JT8571090	->	->	->
184	SWITCH, REED (22")	16JT8801090	->	->	->
185 N	RTD, PT100 OHMS (EBARA)	CSP-N06591	->	->	->
186 N	THERMOSTAT, SOL. HI-TEMP (EBARA)	C01PP-57491	->	->	->
187 N	THERMOSTAT, CHW. LO-TEMP (EBARA)	CSP-N07431	->	->	->
188 N	THERMOSTAT, CYCLE GUARD (EBARA)	C01PP-58612	->	->	->
189 N	THERMISTOR 3" (EBARA)	HH79N2070	->	->	->
190 N	THERMISTOR 8" (EBARA)	HH79N2071	->	->	->
191 N	VACCUUM SWITCH (EBARA)	C01PP-63401	->	->	->
192A	CONTROL BOX ASY (208/230-3-60)	16JT810702	->	->	->
192B	CONTROL BOX ASY (460-3-60)	16JT810705	->	->	->
193	LEVEL CONTROL (WARRICK)	16JT680033	->	->	->
194	DISC. SWITCH (100A)(TELEMECANIQUE)	D10S3	->	->	->
195	FUSE KIT (30A) (TELEMECANIQUE)	D12E62	->	->	->
196	FUSE KIT (60A) (TELEMECANIQUE)	D12F63	->	->	->
197	CONTACTOR (PUMPS) (CUTLER-HAMMER)	(5) C25DND325A	(5) ->	(5) ->	(5) ->
198	OVERLOAD DEVICE (PUMPS) (FURNAS)	(5) 48DC38AA45Z	(5) ->	(5) ->	(5) ->
199	CAPACITY CONTROLLER (HONEYWELL)	DC300K000321B0000	->	->	->
200	TRANSFORMER (HEVI-DUTY)	E550N	->	->	->
201	TRANSDUCER (TRIAD TECHNOLOGY)	UC-3800-4-4-0	->	->	->
202	AC/DC SONALERT (MALLORY/SONALERT)	SC-110-P	->	->	->
203	ELAPSED TIME METER (CARRIER-RCD)	19EA660035	->	->	->
204	"V" LAMP (SYLVANIA)	(8) 6S6 145V	(8) ->	(8) ->	(8) ->
205	2-POS. SELECT. SW. (ALLEN-BRADLEY)	(2) 800T-H2A	(2) ->	(2) ->	(2) ->
206	ON DELAY TIMER (ATC)	(5) 339A200Q2X	(5) ->	(5) ->	(5) ->
207	RELAY, PLUG-IN (POTTER & BRUMFIELD)	(21) 16JT8101109	(21) ->	(21) ->	(21) ->
208	INDICATOR LIGHT BODY (DIALCO)	(8) 103-3101-05-4	(8) ->	(8) ->	(8) ->
209	RED LENS (DIALCO)	(4) 103-1211-403	(4) ->	(4) ->	(4) ->
210	GREEN LENS (DIALCO)	(2) 103-1212-403	(2) ->	(2) ->	(2) ->
211	AMBER LENS (DIALCO)	103-1213-403	->	->	->
212	WHITE LENS (DIALCO)	103-1235-403	->	->	->
213	HANDLE, DISCONNECT (TELEMECANIQUE)	D11SF10	->	->	->
214	RELAY SOCKETS(3POLE)(CUSTOM CONN.)	(21) SL711	(21) ->	(21) ->	(21) ->
215	RELAY SOCKETS(2POLE)(CUSTOM CONN.)	(5) SL608	(5) ->	(5) ->	(5) ->
216	REMOTE TEMP. DETECTOR (PYROMATION)	RIT185L48093-SL-601	->	->	->
217	THERMOWELL (PYROMATION)	1/2"-2601-U4-1/2-316	->	->	->
218	START BUTTON (GREEN)	(2) 16JT8101107	(2) ->	(2) ->	(2) ->
219	STOP BUTTON (RED)	(2) 16JT8121107	(2) ->	(2) ->	(2) ->
220	ALARM STOP-BUTTON (ALLEN-BRADLEY)	800T-A2D1	->	->	->
221	TERMINAL BLOCK (ALLEN-BRADLEY)	1492-CA2	->	->	->
<b>PIC CONTROLS GROUP</b>					
222	SWITCH, LOW TEMP. (CHILLED WATER)	16JT8106656	->	->	->
223	SWITCH, HIGH TEMP. (HIGH TEMP. GEN.)	11B06-46	->	->	->
224	SWITCH, HIGH PRESS. (HIGH TEMP. GEN.)	16DF04090070	->	->	->
225	SWITCH, COOLING WATER DIF.	HK06ZC003	->	->	->
226	PROBE, LEVEL (HIGH TEMP. GEN.)	16JT660001	->	->	->
227	THERMISTOR (5K)	(13) HH79N2047	(13) ->	(13) ->	(13) ->
228	THERMISTOR (100K)	(5) HH79N2070	(5) ->	(5) ->	(5) ->
229	CABLE ASY, TEMPERATURE SENSOR	HH79N2072	->	->	->
230	TRANSDUCER, LOW PRESSURE	HK05Y2004	->	->	->
231	TRANSDUCER, HIGH PRESSURE	(2) HK05Y2002	(2) ->	(2) ->	(2) ->
232	CABLE ASY, HIGH/LOW PRESSURE	16JT810798	->	->	->

PARTS LIST CATALOG

PARTS LIST PAGE: 005

CATALOG NO.: RCD-3516-004 REV. A  
SUPERSEDES : RCD-3516-004 REV.

NOTE: SEE "CATALOG NOTES" ON LAST PAGE FOR EXPLANATION OF SYMBOLISM.



DOUBLE EFFECT HERMETIC  
LIQUID ABSORPTION  
CHILLER

16JT

SIZE: 080 150  
SERIES: CMX/EBARA

ITM	PART DESCRIPTION	16JT 080	16JT 080L	16JT 090	16JT 090L
		ALL VOLTAGES	ALL VOLTAGES	ALL VOLTAGES	ALL VOLTAGES
<b>PIC CONTROLS GROUP</b>					
233	FLOAT SWITCH,ANALOG (12")	16JT810788	->	->	->
234	FLOAT SWITCH,ANALOG (18")	16JT810789	->	->	->
235	FLOAT SWITCH,ANALOG (20")	16JT810790	->	->	->
236	FLOAT SWITCH,DISCRETE	(3) 16JT832424	(3) ->	(3) ->	(3) ->
237	SWITCH,REED (12")	16JT8101090	->	->	->
238	SWITCH,REED (18")	16JT8321090	->	->	->
239	SWITCH,REED (20")	16JT8571090	->	->	->
240	SWITCH,REED (22")	16JT8801090	->	->	->
241 N	16JT PIC CONTROL PANEL DWG(REF.ONLY)	16JT810763	->	->	->
242	LID 2B	CES0130036	->	->	->
243	PSIO II	CEPL110189-02	->	->	->
244	CONTROLLER,PIC MODULE (FID)	16JT810720	->	->	->
245	TRANSFORMER (575/460/230 TO 110)(T	16JT8101101	->	->	->
246	TRANSFORMER (110 TO 21)(TR1,TR2,TR	(3) HT01BD113	(3) ->	(3) ->	(3) ->
247	TRANSFORMER (110 TO 24)(TR5)	HT01AN235	->	->	->
248	TRANSFORMER (21 TO 5)(TR4)	HK35AA002	->	->	->
249	CIRCUIT BREAKER	HM83ZB001	->	->	->
250	RELAY BOARD,SIX PACK (RB1,RB2)	HK35AA001	->	->	->
251A	RELAY (CR1 - CR7) (PSN WK#6 1997)	(7) 16JT8101109	(7) ->	(7) ->	(7) ->
251B	RELAY (CR1 - CR7) (SSN WK#6 1997)	(7) 16JT8101102	(7) ->	(7) ->	(7) ->
252	RELAY,HIGH LEVEL	16JT680033	->	->	->
253	STARTER BLOCK(RP1,SP1,SP2,SSP1,VP1	16JT8101103	->	->	->
254A	FUSE (F1/SP1) (208/240-3-60)	(3) LPJ-50	(3) ->	(3) ->	(3) ->
254B	FUSE (F1/SP1) (416/480-3-60)	(3) LPJ-25	(3) ->	(3) ->	(3) ->
254C	FUSE (F1/SP1) (550/600-3-60)	(3) LPJ-20	(3) ->	(3) ->	(3) ->
254D	FUSE (F1/SP1) (380-3-50)	(3) LPJ-25	(3) ->	(3) ->	(3) ->
255A	FUSE (F2/SP2) (208/240-3-60)	(3) LPJ-50	(3) ->	(3) ->	(3) ->
255B	FUSE (F2/SP2) (416/480-3-60)	(3) LPJ-25	(3) ->	(3) ->	(3) ->
255C	FUSE (F2/SP2) (550/600-3-60)	(3) LPJ-20	(3) ->	(3) ->	(3) ->
255D	FUSE (F2/SP2) (380-3-50)	(3) LPJ-25	(3) ->	(3) ->	(3) ->
256A	FUSE (F3/RP1) (208/240-3-60)	(3) LPJ-35	(3) ->	(3) ->	(3) ->
256B	FUSE (F3/RP1) (416/480-3-60)	(3) LPJ-20	(3) ->	(3) ->	(3) ->
256C	FUSE (F3/RP1) (550/600-3-60)	(3) LPJ-15	(3) ->	(3) ->	(3) ->
256D	FUSE (F3/RP1) (380-3-50)	(3) LPJ-20	(3) ->	(3) ->	(3) ->
257A	FUSE (F4/SSP1) (208/240-3-60)	X	X	X	X
257B	FUSE (F4/SSP1) (416/480-3-60)	X	X	X	X
257C	FUSE (F4/SSP1) (550/600-3-60)	X	X	X	X
257D	FUSE (F4/SSP1) (380-3-50)	X	X	X	X
258A	FUSE (F5/VP1) (208/240-3-60)	(3) LPJ-3	(3) ->	(3) ->	(3) ->
258B	FUSE (F5/VP1) (416/480-3-60)	(3) LPJ-2	(3) ->	(3) ->	(3) ->
258C	FUSE (F5/VP1) (550/600-3-60)	(3) LPJ-2	(3) ->	(3) ->	(3) ->
258D	FUSE (F5/VP1) (380-3-50)	(3) LPJ-2	(3) ->	(3) ->	(3) ->
259A	FUSE (FB6) (208/240-3-60)	LPJ-5	->	->	->
259B	FUSE (FB6) (416/480-3-60)	LPJ-5	->	->	->
259C	FUSE (FB6) (550/600-3-60)	LPJ-5	->	->	->
259D	FUSE (FB6) (380-3-50)	LPJ-5	->	->	->
260	OVERLOAD RELAY	(5) HN68JX003	(5) ->	(5) ->	(5) ->
261A	HEATER,OVERLOAD(COL1)(208/240-3-60)	(3) HN71JC069	(3) ->	(3) ->	(3) ->
261B	HEATER,OVERLOAD(COL1)(416/480-3-60)	(3) HN71JC055	(3) ->	(3) ->	(3) ->
261C	HEATER,OVERLOAD(COL1)(550/600-3-60)	(3) HN71JC052	(3) ->	(3) ->	(3) ->
261D	HEATER,OVERLOAD(COL1)(380-3-50)	(3) HN71JC055	(3) ->	(3) ->	(3) ->
262A	HEATER,OVERLOAD(COL2)(208/240-3-60)	(3) HN71JC069	(3) ->	(3) ->	(3) ->
262B	HEATER,OVERLOAD(COL2)(416/480-3-60)	(3) HN71JC055	(3) ->	(3) ->	(3) ->
262C	HEATER,OVERLOAD(COL2)(550/600-3-60)	(3) HN71JC052	(3) ->	(3) ->	(3) ->

PARTS LIST CATALOG

PARTS LIST PAGE: 006

CATALOG NO.: RCD-3516-004 REV. A  
SUPERSEDES : RCD-3516-004 REV.

NOTE: SEE "CATALOG NOTES" ON LAST PAGE FOR EXPLANATION OF SYMBOLISM.

# 16JT



## DOUBLE EFFECT HERMETIC LIQUID ABSORPTION CHILLER

SIZE: 080 150  
SERIES: CMX/EBARA

ITM	PART DESCRIPTION	16JT 080	16JT 080L	16JT 090	16JT 090L
		ALL VOLTAGES	ALL VOLTAGES	ALL VOLTAGES	ALL VOLTAGES
<b>PIC CONTROLS GROUP</b>					
262D	HEATER, OVERLOAD(OL2)(380-3-50)	(3) HN71JC055	(3) ->	(3) ->	(3) ->
263A	HEATER, OVERLOAD(OL3)(208/240-3-60)	(3) HN71JC061	(3) ->	(3) ->	(3) ->
263B	HEATER, OVERLOAD(OL3)(416/480-3-60)	(3) HN71JC050	(3) ->	(3) ->	(3) ->
263C	HEATER, OVERLOAD(OL3)(550/600-3-60)	(3) HN71JC043	(3) ->	(3) ->	(3) ->
263D	HEATER, OVERLOAD(OL3)(380-3-50)	(3) HN71JC050	(3) ->	(3) ->	(3) ->
264A	HEATER, OVERLOAD(OL4)(208/240-3-60)	X	X	X	X
264B	HEATER, OVERLOAD(OL4)(416/480-3-60)	X	X	X	X
264C	HEATER, OVERLOAD(OL4)(550/600-3-60)	X	X	X	X
264D	HEATER, OVERLOAD(OL4)(380-3-50)	X	X	X	X
265A	HEATER, OVERLOAD(OL5)(208/240-3-60)	(3) HN71JC021	(3) ->	(3) ->	(3) ->
265B	HEATER, OVERLOAD(OL5)(416/480-3-60)	(3) HN71JC021	(3) ->	(3) ->	(3) ->
265C	HEATER, OVERLOAD(OL5)(550/600-3-60)	(3) HN71JC021	(3) ->	(3) ->	(3) ->
265D	HEATER, OVERLOAD(OL5)(380-3-50)	(3) HN71JC021	(3) ->	(3) ->	(3) ->
266	DISCONNECT, 100 AMP (MDC)	16JT8101105	->	->	->
267	SWITCH, SELECTOR (AUTO/MANUAL)	16JT8101106	->	->	->
268	PUSH-BUTTON, START (GREEN)	16JT8101107	->	->	->
269	PUSH-BUTTON, STOP (RED)	16JT8121107	->	->	->
270	INDICATOR LIGHT (WHITE)	16JT8121108	->	->	->
271	INDICATOR LIGHT (GREEN)	(3) 16JT8101108	(3) ->	(3) ->	(3) ->
272	COOLING FAN (DAYTON)	4C550/4C551/5C032	->	->	->
273	DOOR LATCH (EMKA, INC.)	1125-U206-01G	->	->	->
274	HANDLE, DISCONNECT (TELEMECANIQUE)	D115F4	->	->	->
275	TERM. BLOCK (TB2, TB3)(ALLEN BRADLEY)	1492-W4	->	->	->
276	TERM. BLOCK (TB1)(ALLEN BRADLEY)	1492-W6	->	->	->
277	MODULE (8 INPUT/OUTPUT)	(3) HK50AA006	(3) ->	(3) ->	(3) ->
278	CONNECTOR (18 PIN)	(3) HY84EE021	(3) ->	(3) ->	(3) ->
279	CONNECTOR (3 PIN)	HY84EE003	->	->	->
280	CONNECTOR (4 PIN)	(2) HY84EE004	(2) ->	(2) ->	(2) ->
281	FUSE BLOCK (FB6) (MARATHON)	F30A15P	->	->	->
282	TERMINAL BLOCK (TERM) (MARATHON)	208	->	->	->
283	CONNECTOR (9 POS.) (AMP)	(2) 350763-4	(2) ->	(2) ->	(2) ->
284	CONNECTOR (6 POS.) (AMP)	(2) 350762-4	(2) ->	(2) ->	(2) ->
<b>MISCELLANEOUS GROUP</b>					
285 N	FLOW SWITCH, DIFF. PRESSURE(150 PSIG)	HK062C035	->	->	->
286 N	FLOW SWITCH, DIFF. PRESSURE(300 PSIG)	HK062C001	->	->	->
288 N	STEAM VALVE (1" ELECTRIC)	16JT05000801	->	->	->
289 N	STEAM VALVE (1" PNEUMATIC)	16JT05000101	->	->	->
290 N	STEAM VALVE (1-1/4" ELECTRIC)	16JT05000901	->	->	->
291 N	STEAM VALVE (1-1/4" PNEUMATIC)	16JT05000201	->	->	->
292 N	STEAM VALVE (1-1/2" ELECTRIC)	16JT05001001	->	->	->
293 N	STEAM VALVE (1-1/2" PNEUMATIC)	16JT05000301	->	->	->
294 N	STEAM VALVE (2" ELECTRIC)	16JT05001101	->	->	->
295 N	STEAM VALVE (2" PNEUMATIC)	16JT05000401	->	->	->
296 N	STEAM VALVE (2-1/2" ELECTRIC)	16JT05001201	->	->	->
297 N	STEAM VALVE (2-1/2" PNEUMATIC)	16JT05000501	->	->	->
298 N	STEAM VALVE (3" ELECTRIC)	16JT05001301	->	->	->
299 N	STEAM VALVE (3" PNEUMATIC)	16JT05000601	->	->	->
300 N	STEAM VALVE (4" ELECTRIC)	16JT05001401	->	->	->
301 N	STEAM VALVE (4" PNEUMATIC)	16JT05000701	->	->	->
302 N	LITH. BROMIDE(30 GAL)NON-INHIBITED	PS16CP030	->	->	->
303 N	LITH. BROMIDE(30 GAL)CHROMATE-INHIB.	PS25AL254	->	->	->
304 N	LITH. BROMIDE(15 GAL)NON-INHIBITED	PS20BL260	->	->	->
305 N	LITH. BROMIDE(15 GAL)CHROMATE-INHIB.	PS25AL251	->	->	->
306 N	LITH. HYDROXIDE (TO ADJUST ALKY)	16JB032003	->	->	->

PARTS LIST CATALOG

PARTS LIST PAGE: 007

CATALOG NO. : RCD-3516-004 REV. A  
SUPERSEDES : RCD-3516-004 REV.

NOTE: SEE "CATALOG NOTES" ON LAST PAGE FOR EXPLANATION OF SYMBOLISM.





DOUBLE EFFECT HERMETIC  
LIQUID ABSORPTION  
CHILLER

16JT

SIZE: 080 150  
SERIES: CMX/EBARA

ITM	PART DESCRIPTION	16JT 100		16JT 100L		16JT 110		16JT 110L	
		ALL VOLTAGES		ALL VOLTAGES		ALL VOLTAGES		ALL VOLTAGES	
<b>GENERAL PARTS LIST</b>									
1A	GASKET, EVAPORATOR WATER BOX (150#)	(2)	16JT10034333	(2)	->	(2)	16JT11034333	(2)	->
1B	GASKET, EVAPORATOR WATER BOX (300#)	(2)	16JT10034334	(2)	->	(2)	16JT11034334	(2)	->
2A	GASKET, ABSORBER WATER BOX (150#)	(2)	16JT10034033	(2)	->	(2)	16JT11034033	(2)	->
2B	GASKET, ABSORBER WATER BOX (300#)	(2)	16JT10034034	(2)	->	(2)	16JT11034034	(2)	->
3A	GASKET, CONDENSER WATER BOX (150#)	(2)	16JT10044033	(2)	->	(2)	16JT11044033	(2)	->
3B	GASKET, CONDENSER WATER BOX (300#)	(2)	16JT10044034	(2)	->	(2)	16JT11044034	(2)	->
4	GASKET, STEAM BOX COVER		16JT10054032		->		16JT11054032		->
5 N	GASKET, DIV. PLT. (20")(EVAP/ABS/COND)		16JB680043		->		->		->
6 N	GASKET, PARTITION(HI-TEMP. GEN.)	(2)	16JT08016022	(2)	->	(2)	->	(2)	->
7	GASKET, RING(2")(COND. DRAIN PIPING)	(5)	CT99QX401	(5)	->	(5)	->	(5)	->
8	GASKET, RING(3")(COND. DRAIN PIPING)	(2)	CT99QX501	(2)	->	(2)	->	(2)	->
9AN	GASKET, CROSSOVER PIPE(ABS/COND)(150#)		X		X		X		X
9BN	GASKET, CROSSOVER PIPE(ABS/COND)(300#)		X		X		X		X
10	GASKET(COND. DRAIN FLOAT HOUSING)		16JT09017813		->		->		->
11	GASKET, HI-REFRIG. LEVEL SWITCH HSG.		16JT8325712		->		->		->
12	GASKET, LO-REFRIG. LEVEL SWITCH HSG.		16JT09031923		->		->		->
14A	GASKET, FLOAT BOX(LCD)(SSN WK#7 1996)		16JT8575402		->		->		->
14B	GASKET, FLOAT BOX(LCD)(PSN WK#7 1996)		16JT09051563		->		->		->
15	VALVE, DIAPHRAM(1/2")(SCREWED)	(6)	EF71CA181	(7)	->	(6)	->	(7)	->
16A	DIAPHRAM REPLACEMENT (MEX.)		EF79ZA181		->		->		->
16B	DIAPHRAM REPLACEMENT (EBARA)		C01PP-61102		->		->		->
17	VALVE, DIAPHRAM(1")(WELDED)	(5)	16JT8102473	(5)	->	(5)	->	(5)	->
18A	DIAPHRAM REPLACEMENT (MEX.)		16JT680026		->		->		->
18B	DIAPHRAM REPLACEMENT (EBARA)		C01PP-61104		->		->		->
19	VALVE, DIAPHRAM(1/2")(WELDED)	(2)	16JT8102472	(2)	->	(2)	->	(2)	->
20A	DIAPHRAM REPLACEMENT (MEX.)		16JT680024		->		->		->
20B	DIAPHRAM REPLACEMENT (EBARA)		C01PP-61102		->		->		->
21	VALVE, DIAPHRAM (3/4")(WELDED)		16JT8102475		->		->		->
22A	DIAPHRAM REPLACEMENT (MEX.)		16JT680025		->		->		->
22B	DIAPHRAM REPLACEMENT (EBARA)		C01PP-61103		->		->		->
23	VALVE, DIAPHRAM (1-1/2")(WELDED)		16JT8102476		->		->		->
24A	DIAPHRAM REPLACEMENT (MEX.)		16JT680028		->		->		->
24B	DIAPHRAM REPLACEMENT (EBARA)		C01PP-61105		->		->		->
25	VALVE, DIAPHRAM (1")(WELDED)		EF71ZH006		->		->		->
26A	DIAPHRAM REPLACEMENT (MEX.)		EF79ZH006		->		->		->
26B	DIAPHRAM REPLACEMENT (EBARA)		C01PP-61104		->		->		->
27	VALVE, GLOBE(3/4")(COND. DRAIN)		16JT8241189		->		->		->
28	VALVE, GLOBE(3/8")(COND. DRAIN)		16JT8241188		->		->		->
29	VALVE, CHECK (1")(WELDED)		16DF07024053		->		->		->
30	VALVE, CHECK (2")(WELDED)		16DF07024056		->		->		->
31	VALVE, CHECK (2-1/2")(WELDED)		16DF07024057		->		->		->
32	VALVE, CHECK(2-1/2")(WELDED)	(2)	CSP-F02033	(2)	->	(2)	X	(2)	X
33	VALVE, CHECK(3")(WELDED)	(2)	X	(2)	X	(2)	C01PP-63782	(2)	->
34	VALVE, BALL(1/2")(HI-TEMP. GENERATOR)	(2)	EP71CQ181	(2)	->	(2)	->	(2)	->
35A	VALVE, SOLENOID (1")		16JT08010301		->		->		->
35B	VALVE, SOLENOID (3/4")		X		X		X		X
36AN	SOLENOID VALVE REPAIR KIT (1")		16JT680036		->		->		->
36BN	SOLENOID VALVE REPAIR KIT (3/4")		X		X		X		X
37 N	SOLENOID COIL (3/4" & 1")		16JT680035		->		->		->
40A	GAUGE, COMPOUND (MEX.)		16DF04090062		->		->		->
40B	GAUGE, COUPOUND (EBARA)		C01PP-57421		->		->		->
41	STRAINER, "Y"(COND. DRAIN)		16JT8102852		->		->		->
42 N	STRAINER ASY(EJECTOR PIPING)	(3)	16JA010111	(3)	->	(3)	->	(3)	->
43	STRAINER ASY, TEE (SOLUTION)		16JT1105188		->		->		->

PARTS LIST CATALOG

PARTS LIST PAGE: 009

CATALOG NO.: RCD-3516-004 REV. A  
SUPERSEDES: RCD-3516-004 REV.

NOTE: SEE "CATALOG NOTES" ON LAST PAGE FOR EXPLANATION OF SYMBOLISM.

# 16JT



## DOUBLE EFFECT HERMETIC LIQUID ABSORPTION CHILLER

SIZE: 080 150  
SERIES: CMX/EBARA

ITM	PART DESCRIPTION	16JT 100		16JT 100L		16JT 110		16JT 110L	
		ALL VOLTAGES		ALL VOLTAGES		ALL VOLTAGES		ALL VOLTAGES	
<b>GENERAL PARTS LIST</b>									
44	PLUG,PIPE (1") (SOL. STRAINER)	(4)	CA63AA251	(4)	->	(4)	->	(4)	->
45	NOZZLE,SPRAY (ABSORBER)	(432)	16JA010386	(486)	->	(451)	->	(517)	->
46	NOZZLE,SPRAY (EVAPORATOR)	(136)	16DF0052823	(160)	->	(152)	->	(168)	->
47	NOZZLE,SPRAY(LO-TEMP. GENERATOR)	(264)	16DF0052803	(264)	->	(292)	->	(292)	->
48	TUBE,ABSORBER	(672)	16JT09090103	(672)	16JT12590103	(742)	16JT09090103	(742)	16JT12590103
49	TUBE,EVAPORATOR	(596)	16JT09090203	(596)	16JT12590253	(656)	16JT09090203	(656)	16JT12590253
50	HEAT EXCHANGER,DRAIN TRAP		16JT1006402		->		->		->
51	TUBE,LO-TEMP. GENERATOR	(356)	16JA0502992	(356)	16JT13690103	(390)	16JA0502992	(390)	16JT13690103
52	TUBE,CONDENSER	(316)	16JT09090103	(316)	16JT12590103	(348)	16JT09090103	(348)	16JT12590103
53	TUBE,LO-TEMP. HEAT EXCHANGER	(608)	16JT08090303	(608)	->	(666)	->	(666)	->
54	TUBE INSERT,LO-TEMP.HEAT EXCHANGER	(608)	16JT08090308	(608)	->	(666)	->	(666)	->
55	TUBE,HI-TEMP. HEAT EXCHANGER	(486)	16JT08090313	(537)	->	(537)	->	(537)	->
56	U-TUBE,HI-TEMP. GENERATOR (1"RADIUS)	(31)	16JT09090403	(31)	16JT12590403	(33)	16JT09090403	(33)	16JT12590403
57	U-TUBE,HI-TEMP. GENERATOR (2"RADIUS)	(31)	16JT09090413	(31)	16JT12590413	(33)	16JT09090413	(33)	16JT12590413
58	U-TUBE,HI-TEMP. GENERATOR (3"RADIUS)	(31)	16JT09090423	(31)	16JT12590423	(33)	16JT09090423	(33)	16JT12590423
59	U-TUBE,HI-TEMP. GENERATOR (4"RADIUS)	(30)	16JT09090433	(30)	16JT12590433	(31)	16JT09090433	(31)	16JT12590433
60	U-TUBE,HI-TEMP. GENERATOR (5"RADIUS)	(27)	16JT09090443	(27)	16JT12590443	(31)	16JT09090443	(31)	16JT12590443
61	U-TUBE,HI-TEMP. GENERATOR (6"RADIUS)		X		X		X		X
62	EDUCTOR ASY.	(2)	16JT605753	(2)	->	(2)	->	(2)	->
63	EDUCTOR ASY.	(2)	16JT610743	(2)	->	(2)	->	(2)	->
64	RUPTURE DISC ASY (CARBON)(W/GASKETS)		17Q6317		->		->		->
65	GASKET,RUPTURE DISC (CARBON)	(2)	CR90S2002	(2)	->	(2)	->	(2)	->
66	DISC,RUPTURE (CARBON)		17Q6317		->		->		->
67	RUPTURE DISC ASY (METALIC)		16DF0322014		->		->		->
68	GASKET,RUPTURE (METALIC)	(2)	CT992X501	(2)	->	(2)	->	(2)	->
69	PROBE,LEVEL (HI-TEMP. GENERATOR)		16JT660001		->		->		->
70A	SIGHT GLASS(LCD FLOAT HSG.)(SCREWED)		KH36B2002		->		->		->
70B	SIGHT GLASS(LCD FLOAT HSG.)(WELDED)		CO1PP-5751		->		->		->
71	GASKET,INNER (SIGHT GLASS)		CSP-N07852		->		->		->
72	GASKET,OUTER (SIGHT GLASS)		CO1PP-57516		->		->		->
73	FLOAT ASY,HI-REFRIG. LEVEL SWITCH	(3)	16JT832424	(3)	->	(3)	->	(3)	->
74	FLOAT ASY,LO-REFRIG. LEVEL SWITCH		16JT832424		->		->		->
75A	FLOAT VALVE ASY,COND. DRAIN (MEX.)		16JT1501786		->		->		->
75B	FLOAT VALVE ASY,COND. DRAIN (EBARA)		AAH150C-1786		->		->		->
76A	BALL,FLOAT (MEX.)		16JT8101097		->		->		->
76B	BALL,FLOAT (EBARA)		CSP-B02042		->		->		->
77	ARM,FLOAT		16JT0901787		->		->		->
78	SHAFT(FLOAT VALVE)		16JT09017861		->		->		->
79	GASKET(FLOAT VALVE)(W/HOLES)		16JT09017867		->		->		->
80	GASKET(FLOAT VALVE)(W/SLOT)		16JT09017869		->		->		->
81	PIN,TAPER(FLOAT VALVE)	(2)	16JT8241186	(2)	->	(2)	->	(2)	->
82	PLUG,RELIEF(FLOAT VALVE)		16JT8245071		->		->		->
83	BUSHING(FLOAT VALVE)(L=3/4)		16JT8245077		->		->		->
84	BUSHING(FLOAT VALVE)(L=5/8)		16JT8245078		->		->		->
85	STRAINER(FLOAT VALVE)		16JT8245441		->		->		->
86	WASHER,RETAINING(FLOAT VALVE)		16JT8245442		->		->		->
87A	FLOAT VALVE ASY,LCD (MEX.)		16JT1105101		->		->		->
87B	FLOAT VALVE ASY,LCD (EBARA)		AAH110-5101		->		->		->
88	COLLAR,ARM (LCD)	(2)	16JT08051031	(2)	->	(2)	->	(2)	->
89	GASKET (LCD)	(3)	16JT08051071	(3)	->	(3)	->	(3)	->
90	SHAFT (LCD)		16JT11051011		->		->		->
91	DISC,FLOAT (LCD)		16JT11051021		->		->		->
92	ARM,FLOAT (LCD)	(2)	16JT11051062	(2)	->	(2)	->	(2)	->
93A	BALL,FLOAT (LCD) (MEX.)		16JT8101092		->		->		->

PARTS LIST CATALOG

PARTS LIST PAGE: 010

CATALOG NO.: RCD-3516-004 REV. A  
SUPERSEDES : RCD-3516-004 REV.

NOTE: SEE "CATALOG NOTES" ON LAST PAGE FOR EXPLANATION OF SYMBOLISM.



DOUBLE EFFECT HERMETIC  
LIQUID ABSORPTION  
CHILLER

16JT

SIZE: 080 150  
SERIES: CMX/EBARA

ITM	PART DESCRIPTION	16JT 100	16JT 100L	16JT 110	16JT 110L
		ALL VOLTAGES	ALL VOLTAGES	ALL VOLTAGES	ALL VOLTAGES
<b>GENERAL PARTS LIST</b>					
93B	BALL,FLOAT (LCD) (EBARA)	C01PP-57842	->	->	->
94	O-RING (LCD) (MEX.)	(2) 16JT8105748	(2) ->	(2) ->	(2) ->
95	PIN,STRAIGHT (LCD)	(2) 16JT8575737	(2) ->	(2) ->	(2) ->
96	PIN,TAPER (LCD)	(2) 16JT8575738	(2) ->	(2) ->	(2) ->
97A	BUSHING,HSG. (LCD) (PSN WK#7 1996)	(2) 16JT8105731	(2) ->	(2) ->	(2) ->
97B	BUSHING,HSG. (LCD) (SSN WK#7 1996)	(2) 16JT8575741	(2) ->	(2) ->	(2) ->
<b>PUMP GROUP</b>					
98A	PUMP,SOL.(7.5HP)(230/460-60HZ)(MEX.)	(2) 16JT0901076	(2) 16JT8541076	(2) ->	(2) ->
98B	PUMP,SOL.(7.5HP)(575-60HZ)(MEX.)	(2) 16JT0901076-1	(2) 16JT8541076-1	(2) ->	(2) ->
98C	PUMP,SOL.(7.5HP)(380-60HZ)(MEX.)	(2) 16JT0901076-3	(2) 16JT8541076-3	(2) ->	(2) ->
99	MOTOR REPLACEMENT KIT (7.5HP)	16JT660004	->	->	->
100	BEARING,FRONT	16JT680011	->	->	->
101	BEARING,DRIVE	16JT680012	->	->	->
102	RING,MOTOR	16JT680020	->	->	->
103	SPRING	16JT680016	->	->	->
104	RING,CASING	KK09XD015	->	->	->
105	O-RING	16JT680017	->	->	->
105A	IMPELLER (60HZ)	KK75XA596	KK75XA594	->	->
105B	IMPELLER (50HZ)	KK75XA599	NOT AVAIL. AT REL.	KK75XA600	NOT AVAIL. AT REL.
106	KEY,IMPELLER	16JT680007	->	->	->
107	LOCKING SCREW,IMPELLER	16JB680048	->	->	->
108	WASHER,IMPELLER	16JB680044	->	->	->
109A	PUMP,REF.(5HP)(230/460-60HZ)(MEX.)	16JT1001075	->	->	->
109B	PUMP,REF.(5HP)(575-60HZ)(MEX.)	16JT1001075-1	->	->	->
109C	PUMP,REF.(5HP)(380-60HZ)(MEX.)	16JT1001075-3	->	->	->
110	MOTOR REPLACEMENT KIT (5HP)	16JB660032	->	->	->
111	BEARING,FRONT	16JT680011	->	->	->
112	BEARING,DRIVE	16JT680011	->	->	->
113	RING,MOTOR	KK09XD0320	->	->	->
114	RING,CASING	KK09XD015	->	->	->
115	GASKET	16JT680009	->	->	->
115A	IMPELLER (60HZ)	KK75XA603	->	->	->
115B	IMPELLER (50HZ)	NOT AVAIL. AT REL.	->	->	->
116	KEY,IMPELLER	16JT680006	->	->	->
117	LOCKING SCREW,IMPELLER	KT59ZP031	->	->	->
118	WASHER,IMPELLER	KT59ZP021	->	->	->
119	SPRING	16JT680015	->	->	->
120A	PUMP,SOL.SPR(3HP)(230/460-60HZ)(MEX.)	X	X	X	X
120B	PUMP,SOL.SPR(3HP)(575-60HZ)(MEX.)	X	X	X	X
120C	PUMP,SOL.SPR(3HP)(380-60HZ)(MEX.)	X	X	X	X
121	MOTOR REPLACEMENT KIT (3HP)	X	X	X	X
122	BEARING,FRONT	X	X	X	X
123	BEARING,DRIVE	X	X	X	X
124	RING,MOTOR	X	X	X	X
125	SPRING	X	X	X	X
126	RING,CASING	X	X	X	X
127	GASKET	X	X	X	X
127A	IMPELLER (60HZ)	X	X	X	X
127B	IMPELLER (50HZ)	X	X	X	X
128	KEY,IMPELLER	X	X	X	X
129	LOCKING SCREW,IMPELLER	X	X	X	X
130	WASHER,IMPELLER	X	X	X	X
131A	PUMP,SOLUTION (208V-60HZ) (EBARA)	(2) AAW100-6815X1	(2) AAW125-6815X1	(2) AAW150-6815X1	(2) AAW125-6815X1
131B	PUMP,SOLUTION (460V-60HZ) (EBARA)	(2) AAW100-6918X1	(2) AAW125-6918X1	(2) AAW150-6918X1	(2) AAW125-6918X1

PARTS LIST CATALOG

PARTS LIST PAGE: 011

CATALOG NO.: RCD-3516-004 REV. A  
SUPERSEDES : RCD-3516-004 REV.

NOTE: SEE "CATALOG NOTES" ON LAST PAGE FOR EXPLANATION OF SYMBOLISM.



DOUBLE EFFECT HERMETIC  
LIQUID ABSORPTION  
CHILLER

16JT

SIZE: 080 150  
SERIES: CMX/EBARA

ITM	PART DESCRIPTION	16JT 100		16JT 100L		16JT 110		16JT 110L	
		ALL VOLTAGES		ALL VOLTAGES		ALL VOLTAGES		ALL VOLTAGES	
<b>PUMP GROUP</b>									
131C	PUMP,SOLUTION (480V-60HZ) (EBARA)	(2)	AAW100-6919X1	(2)	AAW125-6919X1	(2)	AAW150-6919X1	(2)	AAW125-6919X1
132	BEARING,RADIAL	(2)	C16JA097-8222	(2)	->	(2)	->	(2)	->
133	BEARING,THRUST	(2)	C16JA097-8212	(2)	->	(2)	->	(2)	->
134	COLLAR,THRUST	(2)	C16JH041-8202	(2)	->	(2)	->	(2)	->
135	WEAR RING,PUMP CASING		C16JH032-8232		->		->		->
136	WEAR RING,MOTOR SIDE		C16JH041-8232		->		->		->
137	GASKET,CASING SIDE		C16JA097-8532		->		->		->
138	GASKET,END COVER SIDE		C16JA097-9242		->		->		->
139	LOCK NUT,IMPELLER		C16JA032-9222		->		->		->
140	WASHER,IMPELLER		C16JA032-9232		->		->		->
141	KEY,IMPELLER		C16JA032-9212		->		->		->
142	O-RING		C16JA010-8262		->		->		->
143A	PUMP,REFRIGERANT (208V-60HZ) (EBARA)		AAW110-6815X1		->		->		->
143B	PUMP,REFRIGERANT (460V-60HZ) (EBARA)		AAW110-6918X1		->		->		->
143C	PUMP,REFRIGERANT (480V-60HZ) (EBARA)		AAW110-6919X1		->		->		->
144	BEARING,RADIAL	(2)	C16JA010-8222	(2)	->	(2)	->	(2)	->
145	BEARING,THRUST	(2)	C16JA010-8212	(2)	->	(2)	->	(2)	->
146	COLLAR,THRUST	(2)	C16JA018-8242	(2)	->	(2)	->	(2)	->
147	WEAR RING,PUMP CASING		C16JA010-8232		->		->		->
148	WEAR RING,MOTOR SIDE		C16JA012-8232		->		->		->
149	GASKET,CASING SIDE		C16JA014-8532		->		->		->
150	GASKET,END COVER SIDE		C16JA010-9242		->		->		->
151	LOCK NUT,IMPELLER		C16JA010-9222		->		->		->
152	WASHER,IMPELLER		C16JA010-9232		->		->		->
153	KEY,IMPELLER		C16JA010-9212		->		->		->
154	O-RING	(2)	C16JA010-8262	(2)	->	(2)	->	(2)	->
155A	PUMP,SOL. SPRAY (208V-60HZ) (EBARA)		X		X		X		X
155B	PUMP,SOL. SPRAY (460V-60HZ) (EBARA)		X		X		X		X
155C	PUMP,SOL. SPRAY (480V-60HZ) (EBARA)		X		X		X		X
156	BEARING,RADIAL		X		X		X		X
157	BEARING,THRUST		X		X		X		X
158	COLLAR,THRUST		X		X		X		X
159	WEAR RING,PUMP CASING		X		X		X		X
160	WEAR RING,MOTOR SIDE		X		X		X		X
161	GASKET,CASING SIDE		X		X		X		X
162	GASKET,END COVER SIDE		X		X		X		X
163	LOCK NUT,IMPELLER		X		X		X		X
164	WASHER,IMPELLER		X		X		X		X
165	KEY,IMPELLER		X		X		X		X
166	O-RING		X		X		X		X
167	VACUUM PUMP (10.6 CFM)(230/460-3-60)		16JT8248301		->		->		->
168	VACUUM PUMP (10.6 CFM)(575-3-60)		16JT8248302		->		->		->
170	VACUUM PUMP (.9 CFM)(230/460-3-60)		16JT8248305		->		->		->
171	VACUUM PUMP (.9 CFM)(575-3-60)		16JT8248306		->		->		->
172	VACUUM PUMP (.9 CFM)(380-3-60)		16JT8248307		->		->		->
173	FITTING,BARBED (3/4 NPT X 1/2 I.D.)		16JT8577314		->		->		->
174	TUBING,VACUUM 5'LONG (CUT TO SUIT)		16JT8577334		->		->		->
175	CLAMP	(2)	KA69JM828	(2)	->	(2)	->	(2)	->
<b>MECHANICAL CONTROLS GROUP</b>									
176	SWITCH,LOW TEMP. (CHILLED WATER)		16JT8106656		->		->		->
177	SWITCH,HIGH TEMP. (HIGH TEMP. GEN.)		11B06-46		->		->		->
178	SWITCH,HIGH PRESS. (HIGH TEMP. GEN.)		16DF04090070		->		->		->
179	SWITCH,TEMP. (SPRAY LINE)		11B06-46		->		->		->
180	PROBE,LEVEL (HI-TEMP. GEN.)		16JT660001		->		->		->



DOUBLE EFFECT HERMETIC  
LIQUID ABSORPTION  
CHILLER

16JT

SIZE: 080 150  
SERIES: CMX/EBARA

ITM	PART DESCRIPTION	16JT 100	16JT 100L	16JT 110	16JT 110L
		ALL VOLTAGES	ALL VOLTAGES	ALL VOLTAGES	ALL VOLTAGES
<b>MECHANICAL CONTROLS GROUP</b>					
181	SWITCH, REED (12")	16JT8101090	->	->	->
182	SWITCH, REED (18")	16JT8321090	->	->	->
183	SWITCH, REED (20")	16JT8571090	->	->	->
184	SWITCH, REED (22")	16JT8801090	->	->	->
185 N	RTD, PT100 OHMS (EBARA)	CSP-M06591	->	->	->
186 N	THERMOSTAT, SOL. HI-TEMP (EBARA)	C01PP-57491	->	->	->
187 N	THERMOSTAT, CHW. LO-TEMP (EBARA)	CSP-M07431	->	->	->
188 N	THERMOSTAT, CYCLE GUARD (EBARA)	C01PP-58612	->	->	->
189 N	THERMISTOR 3" (EBARA)	HH79NZ070	->	->	->
190 N	THERMISTOR 8" (EBARA)	HH79NZ071	->	->	->
191 N	VACUUM SWITCH (EBARA)	C01PP-63401	->	->	->
192A	CONTROL BOX ASY (208/230-3-60)	16JT810702	->	->	->
192B	CONTROL BOX ASY (460-3-60)	16JT810705	->	->	->
193	LEVEL CONTROL (WARRICK)	16JT680033	->	->	->
194	DISC. SWITCH (100A)(TELEMECANIQUE)	D10S3	->	->	->
195	FUSE KIT (30A) (TELEMECANIQUE)	D12F62	->	->	->
196	FUSE KIT (60A) (TELEMECANIQUE)	D12F63	->	->	->
197	CONTACTOR (PUMPS) (CUTLER-HAMMER)	(5) C25DND325A	(5) ->	(5) ->	(5) ->
198	OVERLOAD DEVICE (PUMPS) (FURNAS)	(5) 48DC38AA45Z	(5) ->	(5) ->	(5) ->
199	CAPACITY CONTROLLER (HONEYWELL)	DC300K000321B0000	->	->	->
200	TRANSFORMER (HEVI-DUTY)	E550N	->	->	->
201	TRANSDUCER (TRIAD TECHNOLOGY)	UC-3800-4-4-0	->	->	->
202	AC/DC SONALERT (MALLORY/SONALERT)	SC-110-P	->	->	->
203	ELAPSED TIME METER (CARRIER-RCD)	19EA660035	->	->	->
204	"V" LAMP (SYLVANIA)	(8) 6S6 145V	(8) ->	(8) ->	(8) ->
205	2-POS. SELECT. SW. (ALLEN-BRADLEY)	(2) 800T-H2A	(2) ->	(2) ->	(2) ->
206	ON DELAY TIMER (ATC)	(5) 339A2000QX	(5) ->	(5) ->	(5) ->
207	RELAY, PLUG-IN (POTTER & BRUMFIELD)	(21) 16JT8101109	(21) ->	(21) ->	(21) ->
208	INDICATOR LIGHT BODY (DIALCO)	(8) 103-3101-05-4	(8) ->	(8) ->	(8) ->
209	RED LENS (DIALCO)	(4) 103-1211-403	(4) ->	(4) ->	(4) ->
210	GREEN LENS (DIALCO)	(2) 103-1212-403	(2) ->	(2) ->	(2) ->
211	AMBER LENS (DIALCO)	103-1213-403	->	->	->
212	WHITE LENS (DIALCO)	103-1235-403	->	->	->
213	HANDLE, DISCONNECT (TELEMECANIQUE)	D11SF10	->	->	->
214	RELAY SOCKETS(3POLE)(CUSTOM CONN.)	(21) SL711	(21) ->	(21) ->	(21) ->
215	RELAY SOCKETS(2POLE)(CUSTOM CONN.)	(5) SL608	(5) ->	(5) ->	(5) ->
216	REMOTE TEMP. DETECTOR (PYROMATION)	RIT185148093-SL-601	->	->	->
217	THERMOWELL (PYROMATION)	1/2"-260L-U4-1/2-316	->	->	->
218	START BUTTON (GREEN)	(2) 16JT8101107	(2) ->	(2) ->	(2) ->
219	STOP BUTTON (RED)	(2) 16JT8121107	(2) ->	(2) ->	(2) ->
220	ALARM STOP-BUTTON (ALLEN-BRADLEY)	800T-A2D1	->	->	->
221	TERMINAL BLOCK (ALLEN-BRADLEY)	1492-CA2	->	->	->
<b>PIC CONTROLS GROUP</b>					
222	SWITCH, LOW TEMP. (CHILLED WATER)	16JT8106656	->	->	->
223	SWITCH, HIGH TEMP. (HIGH TEMP. GEN.)	11B06-46	->	->	->
224	SWITCH, HIGH PRESS. (HIGH TEMP. GEN.)	16DF04090070	->	->	->
225	SWITCH, COOLING WATER DIF.	HK06ZC003	->	->	->
226	PROBE, LEVEL (HIGH TEMP. GEN.)	16JT660001	->	->	->
227	THERMISTOR (5K)	(13) HH79NZ047	(13) ->	(13) ->	(13) ->
228	THERMISTOR (100K)	(5) HH79NZ070	(5) ->	(5) ->	(5) ->
229	CABLE ASY, TEMPERATURE SENSOR	HH79NZ072	->	->	->
230	TRANSDUCER, LOW PRESSURE	HK05YZ004	->	->	->
231	TRANSDUCER, HIGH PRESSURE	(2) HK05YZ002	(2) ->	(2) ->	(2) ->
232	CABLE ASY, HIGH/LOW PRESSURE	16JT810798	->	->	->

PARTS LIST CATALOG

PARTS LIST PAGE: 013

CATALOG NO.: RCD-3516-004 REV. A  
SUPERSEDES: RCD-3516-004 REV.

NOTE: SEE "CATALOG NOTES" ON LAST PAGE FOR EXPLANATION OF SYMBOLISM.



DOUBLE EFFECT HERMETIC  
LIQUID ABSORPTION  
CHILLER

16JT

SIZE: 080 150  
SERIES: CMX/EBARA

ITM	PART DESCRIPTION	16JT 100	16JT 100L	16JT 110	16JT 110L
		ALL VOLTAGES	ALL VOLTAGES	ALL VOLTAGES	ALL VOLTAGES
<b>PIC CONTROLS GROUP</b>					
233	FLOAT SWITCH,ANALOG (12")	16JT810788	->	->	->
234	FLOAT SWITCH,ANALOG (18")	16JT810789	->	->	->
235	FLOAT SWITCH,ANALOG (20")	16JT810790	->	->	->
236	FLOAT SWITCH,DISCRETE	(3) 16JT832424	(3) ->	(3) ->	(3) ->
237	SWITCH,REED (12")	16JT8101090	->	->	->
238	SWITCH,REED (18")	16JT8321090	->	->	->
239	SWITCH,REED (20")	16JT8571090	->	->	->
240	SWITCH,REED (22")	16JT8801090	->	->	->
241	16JT PIC CONTROL PANEL DWG(REF.ONLY)	16JT810763	->	->	->
242	LID 2B	CES0130036	->	->	->
243	PSIO II	CEPL110189-02	->	->	->
244	CONTROLLER,PIC MODULE (FID)	16JT810720	->	->	->
245	TRANSFORMER (575/460/230 TO 110)(T	16JT8101101	->	->	->
246	TRANSFORMER (110 TO 21)(TR1,TR2,TR	(3) HT01BD113	(3) ->	(3) ->	(3) ->
247	TRANSFORMER (110 TO 24)(TR5)	HT01AW235	->	->	->
248	TRANSFORMER (21 TO 5)(TR4)	HK35AA002	->	->	->
249	CIRCUIT BREAKER	HH83ZB001	->	->	->
250	RELAY BOARD,SIX PACK (RB1,RB2)	HK35AA001	->	->	->
251A	RELAY (CR1 - CR7) (PSN WK#6 1997)	(7) 16JT8101109	(7) ->	(7) ->	(7) ->
251B	RELAY (CR1 - CR7) (SSN WK#6 1997)	(7) 16JT8101102	(7) ->	(7) ->	(7) ->
252	RELAY,HIGH LEVEL	16JT680033	->	->	->
253	STARTER BLOCK(RP1,SP1,SP2,SSP1,VP1)	16JT8101103	->	->	->
254A	FUSE (F1/SP1) (208/240-3-60)	(3) LPJ-50	(3) ->	(3) ->	(3) ->
254B	FUSE (F1/SP1) (416/480-3-60)	(3) LPJ-25	(3) ->	(3) ->	(3) ->
254C	FUSE (F1/SP1) (550/600-3-60)	(3) LPJ-20	(3) ->	(3) ->	(3) ->
254D	FUSE (F1/SP1) (380-3-50)	(3) LPJ-25	(3) ->	(3) ->	(3) ->
255A	FUSE (F2/SP2) (208/240-3-60)	(3) LPJ-50	(3) ->	(3) ->	(3) ->
255B	FUSE (F2/SP2) (416/480-3-60)	(3) LPJ-25	(3) ->	(3) ->	(3) ->
255C	FUSE (F2/SP2) (550/600-3-60)	(3) LPJ-20	(3) ->	(3) ->	(3) ->
255D	FUSE (F2/SP2) (380-3-50)	(3) LPJ-25	(3) ->	(3) ->	(3) ->
256A	FUSE (F3/RP1) (208/240-3-60)	(3) LPJ-35	(3) ->	(3) ->	(3) ->
256B	FUSE (F3/RP1) (416/480-3-60)	(3) LPJ-20	(3) ->	(3) ->	(3) ->
256C	FUSE (F3/RP1) (550/600-3-60)	(3) LPJ-15	(3) ->	(3) ->	(3) ->
256D	FUSE (F3/RP1) (380-3-50)	(3) LPJ-20	(3) ->	(3) ->	(3) ->
257A	FUSE (F4/SSP1) (208/240-3-60)	X	X	X	X
257B	FUSE (F4/SSP1) (416/480-3-60)	X	X	X	X
257C	FUSE (F4/SSP1) (550/600-3-60)	X	X	X	X
257D	FUSE (F4/SSP1) (380-3-50)	X	X	X	X
258A	FUSE (F5/VP1) (208/240-3-60)	(3) LPJ-3	(3) ->	(3) ->	(3) ->
258B	FUSE (F5/VP1) (416/480-3-60)	(3) LPJ-2	(3) ->	(3) ->	(3) ->
258C	FUSE (F5/VP1) (550/600-3-60)	(3) LPJ-2	(3) ->	(3) ->	(3) ->
258D	FUSE (F5/VP1) (380-3-50)	(3) LPJ-2	(3) ->	(3) ->	(3) ->
259A	FUSE (FB6) (208/240-3-60)	LPJ-5	->	->	->
259B	FUSE (FB6) (416/480-3-60)	LPJ-5	->	->	->
259C	FUSE (FB6) (550/600-3-60)	LPJ-5	->	->	->
259D	FUSE (FB6) (380-3-50)	LPJ-5	->	->	->
260	OVERLOAD RELAY	(5) HN68JX003	(5) ->	(5) ->	(5) ->
261A	HEATER,OVERLOAD(COL1)(208/240-3-60)	(3) HN71JC069	(3) ->	(3) ->	(3) ->
261B	HEATER,OVERLOAD(COL1)(416/480-3-60)	(3) HN71JC055	(3) ->	(3) ->	(3) ->
261C	HEATER,OVERLOAD(COL1)(550/600-3-60)	(3) HN71JC052	(3) ->	(3) ->	(3) ->
261D	HEATER,OVERLOAD(COL1)(380-3-50)	(3) HN71JC055	(3) ->	(3) ->	(3) ->
262A	HEATER,OVERLOAD(COL2)(208/240-3-60)	(3) HN71JC069	(3) ->	(3) ->	(3) ->
262B	HEATER,OVERLOAD(COL2)(416/480-3-60)	(3) HN71JC055	(3) ->	(3) ->	(3) ->
262C	HEATER,OVERLOAD(COL2)(550/600-3-60)	(3) HN71JC052	(3) ->	(3) ->	(3) ->

PARTS LIST CATALOG

PARTS LIST PAGE: 014

CATALOG NO.: RCD-3516-004 REV. A  
SUPERSEDES : RCD-3516-004 REV.

NOTE: SEE "CATALOG NOTES" ON LAST PAGE FOR EXPLANATION OF SYMBOLISM.



DOUBLE EFFECT HERMETIC  
LIQUID ABSORPTION  
CHILLER

16JT

SIZE: 080 150  
SERIES: CMX/EBARA

ITM	PART DESCRIPTION	16JT 100	16JT 100L	16JT 110	16JT 110L
		ALL VOLTAGES	ALL VOLTAGES	ALL VOLTAGES	ALL VOLTAGES
<b>PIC CONTROLS GROUP</b>					
262D	HEATER,OVERLOAD(COL 2)(380-3-50)	(3) HN71JC055	(3) ->	(3) ->	(3) ->
263A	HEATER,OVERLOAD(COL 3)(208/240-3-60)	(3) HN71JC061	(3) ->	(3) ->	(3) ->
263B	HEATER,OVERLOAD(COL 3)(416/480-3-60)	(3) HN71JC050	(3) ->	(3) ->	(3) ->
263C	HEATER,OVERLOAD(COL 3)(550/600-3-60)	(3) HN71JC043	(3) ->	(3) ->	(3) ->
263D	HEATER,OVERLOAD(COL 3)(380-3-50)	(3) HN71JC050	(3) ->	(3) ->	(3) ->
264A	HEATER,OVERLOAD(COL 4)(208/240-3-60)	X	X	X	X
264B	HEATER,OVERLOAD(COL 4)(416/480-3-60)	X	X	X	X
264C	HEATER,OVERLOAD(COL 4)(550/600-3-60)	X	X	X	X
264D	HEATER,OVERLOAD(COL 4)(380-3-50)	X	X	X	X
265A	HEATER,OVERLOAD(COL 5)(208/240-3-60)	(3) HN71JC021	(3) ->	(3) ->	(3) ->
265B	HEATER,OVERLOAD(COL 5)(416/480-3-60)	(3) HN71JC021	(3) ->	(3) ->	(3) ->
265C	HEATER,OVERLOAD(COL 5)(550/600-3-60)	(3) HN71JC021	(3) ->	(3) ->	(3) ->
265D	HEATER,OVERLOAD(COL 5)(380-3-50)	(3) HN71JC021	(3) ->	(3) ->	(3) ->
266	DISCONNECT,100 AMP (MDC)	16JT8101105	->	->	->
267	SWITCH,SELECTOR (AUTO/MANUAL)	16JT8101106	->	->	->
268	PUSH-BUTTON,START (GREEN)	16JT8101107	->	->	->
269	PUSH-BUTTON,STOP (RED)	16JT8121107	->	->	->
270	INDICATOR LIGHT (WHITE)	16JT8121108	->	->	->
271	INDICATOR LIGHT (GREEN)	(3) 16JT8101108	(3) ->	(3) ->	(3) ->
272	COOLING FAN (DAYTON)	4C550/4C551/5C032	->	->	->
273	DOOR LATCH (EMKA, INC.)	1125-U206-01G	->	->	->
274	HANDLE,DISCONNECT (TELEMECANIQUE)	D115F4	->	->	->
275	TERM.BLOCK(TB2,TB3)(ALLEN BRADLEY)	1492-N6	->	->	->
276	TERM.BLOCK(TB1)(ALLEN BRADLEY)	1492-N6	->	->	->
277	MODULE (8 INPUT/OUTPUT)	(3) HK50AA006	(3) ->	(3) ->	(3) ->
278	CONNECTOR (8 PIN)	(3) HY84EE021	(3) ->	(3) ->	(3) ->
279	CONNECTOR (3 PIN)	HY84EE003	->	->	->
280	CONNECTOR (4 PIN)	(2) HY84EE004	(2) ->	(2) ->	(2) ->
281	FUSE BLOCK (FB6) (MARATHON)	F30A15P	->	->	->
282	TERMINAL BLOCK (TERM) (MARATHON)	208	->	->	->
283	CONNECTOR (9 POS.) (AMP)	(2) 350763-4	(2) ->	(2) ->	(2) ->
284	CONNECTOR (6 POS.) (AMP)	(2) 350762-4	(2) ->	(2) ->	(2) ->
<b>MISCELLANEOUS GROUP</b>					
285 N	FLOW SWITCH,DIFF. PRESSURE(150 PSIG)	HK06ZC033	->	->	->
286 N	FLOW SWITCH,DIFF. PRESSURE(300 PSIG)	HK06ZC001	->	->	->
288 N	STEAM VALVE (1" ELECTRIC)	16JT05000801	->	->	->
289 N	STEAM VALVE (1" PNEUMATIC)	16JT05000101	->	->	->
290 N	STEAM VALVE (1-1/4" ELECTRIC)	16JT05000901	->	->	->
291 N	STEAM VALVE (1-1/4" PNEUMATIC)	16JT05000201	->	->	->
292 N	STEAM VALVE (1-1/2" ELECTRIC)	16JT05001001	->	->	->
293 N	STEAM VALVE (1-1/2" PNEUMATIC)	16JT05000301	->	->	->
294 N	STEAM VALVE (2" ELECTRIC)	16JT05001101	->	->	->
295 N	STEAM VALVE (2" PNEUMATIC)	16JT05000401	->	->	->
296 N	STEAM VALVE (2-1/2" ELECTRIC)	16JT05001201	->	->	->
297 N	STEAM VALVE (2-1/2" PNEUMATIC)	16JT05000501	->	->	->
298 N	STEAM VALVE (3" ELECTRIC)	16JT05001301	->	->	->
299 N	STEAM VALVE (3" PNEUMATIC)	16JT05000601	->	->	->
300 N	STEAM VALVE (4" ELECTRIC)	16JT05001401	->	->	->
301 N	STEAM VALVE (4" PNEUMATIC)	16JT05000701	->	->	->
302 N	LITH. BROMIDE(30 GAL)NON-INHIBITED	PS16CP030	->	->	->
303 N	LITH. BROMIDE(30 GAL)CHROMATE-INHIB.	PS25AL254	->	->	->
304 N	LITH. BROMIDE(15 GAL)NON-INHIBITED	PS20BL260	->	->	->
305 N	LITH. BROMIDE(15 GAL)CHROMATE-INHIB.	PS25AL251	->	->	->
306 N	LITH. HYDROXIDE (TO ADJUST ALKY)	16JB032003	->	->	->

PARTS LIST CATALOG

PARTS LIST PAGE: 015

CATALOG NO.: RCD-3516-004 REV. A  
SUPERSEDES : RCD-3516-004 REV.

NOTE: SEE "CATALOG NOTES" ON LAST PAGE FOR EXPLANATION OF SYMBOLISM.





DOUBLE EFFECT HERMETIC  
LIQUID ABSORPTION  
CHILLER

16JT

SIZE: 080 150  
SERIES: CMX/EBARA

ITM	PART DESCRIPTION	16JT 120		16JT 120L		16JT 135		16JT 135L	
		ALL VOLTAGES		ALL VOLTAGES		ALL VOLTAGES		ALL VOLTAGES	
GENERAL PARTS LIST									
1A	GASKET, EVAPORATOR WATER BOX (150#)	(2)	16JT12034333	(2)	->	(2)	16JT13534333	(2)	->
1B	GASKET, EVAPORATOR WATER BOX (300#)	(2)	16JT12034334	(2)	->	(2)	16JT13534334	(2)	->
2A	GASKET, ABSORBER WATER BOX (150#)	(2)	16JT12034033	(2)	->	(2)	16JT13534033	(2)	->
2B	GASKET, ABSORBER WATER BOX (300#)	(2)	16JT12034034	(2)	->	(2)	16JT13534034	(2)	->
3A	GASKET, CONDENSER WATER BOX (150#)	(2)	16JT12044033	(2)	->	(2)	16JT13544033	(2)	->
3B	GASKET, CONDENSER WATER BOX (300#)	(2)	16JT12044034	(2)	->	(2)	16JT13544034	(2)	->
4	GASKET, STEAM BOX COVER		16JT12054032		->		16JT13554032		->
5 N	GASKET, DIV. PLT.(20')(EVAP/ABS/COND)		16JB680043		->		->		->
6 N	GASKET, PARTITION(HI-TEMP. GEN.)	(2)	16JT08016022	(2)	->	(2)	->	(2)	->
7	GASKET, RING(2")(COND. DRAIN PIPING)	(5)	CT99QX401	(5)	->	(5)	->	(5)	->
8	GASKET, RING(3")(COND. DRAIN PIPING)	(2)	CT99QX501	(2)	->	(2)	->	(2)	->
9AN	GASKET, CROSSOVER PIPE(ABS/COND)(150#)		X		X		X		X
9BN	GASKET, CROSSOVER PIPE(ABS/COND)(300#)		X		X		X		X
10	GASKET(COND. DRAIN FLOAT HOUSING)		16JT09017813		->		->		->
11	GASKET, HI-REFRIG. LEVEL SWITCH HSG.		16JT8325712		->		->		->
12	GASKET, LO-REFRIG. LEVEL SWITCH HSG.		16JT09031923		->		->		->
14A	GASKET, FLOAT BOX(LCD)(SSN WK#7 1996)		16JT12051563		->		->		->
14B	GASKET, FLOAT BOX(LCD)(PSN WK#7 1996)		16JT12051563		->		->		->
15	VALVE, DIAPHRAM(1/2")(SCREWED)	(6)	EF71CA181	(6)	->	(8)	->	(8)	->
16A	DIAPHRAM REPLACEMENT (MEX.)		EF79ZA181		->		->		->
16B	DIAPHRAM REPLACEMENT (EBARA)		C01PP-61102		->		->		->
17	VALVE, DIAPHRAM(1")(WELDED)	(5)	16JT8102473	(5)	->	(5)	->	(5)	->
18A	DIAPHRAM REPLACEMENT (MEX.)		16JT680026		->		->		->
18B	DIAPHRAM REPLACEMENT (EBARA)		C01PP-61104		->		->		->
19	VALVE, DIAPHRAM(1/2")(WELDED)	(2)	16JT8102472	(2)	->	(2)	->	(2)	->
20A	DIAPHRAM REPLACEMENT (MEX.)		16JT680024		->		->		->
20B	DIAPHRAM REPLACEMENT (EBARA)		C01PP-61102		->		->		->
21	VALVE, DIAPHRAM (3/4")(WELDED)		16JT8102475		->		->		->
22A	DIAPHRAM REPLACEMENT (MEX.)		16JT680025		->		->		->
22B	DIAPHRAM REPLACEMENT (EBARA)		C01PP-61103		->		->		->
23	VALVE, DIAPHRAM (1-1/2")(WELDED)		16JT8102476		->		->		->
24A	DIAPHRAM REPLACEMENT (MEX.)		16JT680028		->		->		->
24B	DIAPHRAM REPLACEMENT (EBARA)		C01PP-61105		->		->		->
25	VALVE, DIAPHRAM (1")(WELDED)		EF71ZM006		->		->		->
26A	DIAPHRAM REPLACEMENT (MEX.)		EF79ZM006		->		->		->
26B	DIAPHRAM REPLACEMENT (EBARA)		C01PP-61104		->		->		->
27	VALVE, GLOBE(3/4")(COND. DRAIN)		16JT8241189		->		->		->
28	VALVE, GLOBE(3/8")(COND. DRAIN)		16JT8241188		->		->		->
29	VALVE, CHECK (1")(WELDED)		16DF07024053		->		->		->
30	VALVE, CHECK (2")(WELDED)		16DF07024056		->		->		->
31	VALVE, CHECK (2-1/2")(WELDED)		16DF07024057		->		->		->
32	VALVE, CHECK(2-1/2")(WELDED)	(2)	X	(2)	X	(2)	CSP-F02033	(2)	->
33	VALVE, CHECK(3")(WELDED)	(2)	C01PP-63782	(2)	->	(2)	X	(2)	X
34	VALVE, BALL(1/2")(HI-TEMP. GENERATOR)	(2)	EP71CQ181	(2)	->	(2)	->	(2)	->
35A	VALVE, SOLENOID (1")		16JT08010301		->		->		->
35B	VALVE, SOLENOID (3/4")		X		X		X		X
36AN	SOLENOID VALVE REPAIR KIT (1")		16JT680036		->		->		->
36BN	SOLENOID VALVE REPAIR KIT (3/4")		X		X		X		X
37 N	SOLENOID COIL (3/4" & 1")		16JT680035		->		->		->
40A	GAUGE, COMPOUND (MEX.)		16DF04090062		->		->		->
40B	GAUGE, COUPOUND (EBARA)		C01PP-57421		->		->		->
41	STRAINER, "Y"(COND. DRAIN)		16JT8102852		->		->		->
42 N	STRAINER ASY(EJECTOR PIPING)	(3)	16JA010111	(3)	->	(3)	->	(3)	->
43	STRAINER ASY, TEE (SOLUTION)		16JT1505188		->		->		->

PARTS LIST CATALOG

PARTS LIST PAGE: 017

CATALOG NO.: RCD-3516-004 REV. A  
SUPERSEDES : RCD-3516-004 REV.

NOTE: SEE "CATALOG NOTES" ON LAST PAGE FOR EXPLANATION OF SYMBOLISM.



DOUBLE EFFECT HERMETIC  
LIQUID ABSORPTION  
CHILLER

16JT

SIZE: 080 150  
SERIES: CMX/EBARA

ITM	PART DESCRIPTION	16JT 120	16JT 120L	16JT 135	16JT 135L
		ALL VOLTAGES	ALL VOLTAGES	ALL VOLTAGES	ALL VOLTAGES
<b>GENERAL PARTS LIST</b>					
44	PLUG,PIPE (1") (SOL. STRAINER)	(4) CA63AA251	(4) ->	(4) ->	(4) ->
45	NOZZLE,SPRAY (ABSORBER)	(451) 16JA010386	(517) ->	(583) ->	(583) ->
46	NOZZLE,SPRAY (EVAPORATOR)	(168) 16DF0052823	(176) ->	(168) 16DF0052813	(176) 16DF0052823
47	NOZZLE,SPRAY(LO-TEMP. GENERATOR)	(284) 16DF0052803	(284) ->	(256) 16DF0052813	(256) ->
48	TUBE,ABSORBER	(807) 16JT09090103	(807) 16JT12590103	(909) 16JT09090103	(909) 16JT12590103
49	TUBE,EVAPORATOR	(714) 16JT09090203	(714) 16JT12590253	(810) 16JT09090203	(810) 16JT12590253
50	HEAT EXCHANGER,DRAIN TRAP	16JT1006402	->	->	->
51	TUBE,LO-TEMP. GENERATOR	(426) 16JA0502992	(426) 16JT13690103	(480) 16JA0502992	(480) 16JT13690103
52	TUBE,CONDENSER	(376) 16JT09090103	(376) 16JT12590103	(425) 16JT09090103	(425) 16JT12590103
53	TUBE,LO-TEMP. HEAT EXCHANGER	(722) 16JT08090303	(722) ->	(818) ->	(818) ->
54	TUBE INSERT,LO-TEMP.HEAT EXCHANGER	(722) 16JT08090308	(722) ->	(818) ->	(818) ->
55	TUBE,HI-TEMP. HEAT EXCHANGER	(537) 16JT08090313	(663) ->	(663) ->	(741) ->
56	U-TUBE,HI-TEMP. GENERATOR (1"RADIUS)	(31) 16JT09090403	(31) 16JT12590403	(33) 16JT09090403	(33) 16JT12590403
57	U-TUBE,HI-TEMP. GENERATOR (2"RADIUS)	(31) 16JT09090413	(31) 16JT12590413	(33) 16JT09090413	(33) 16JT12590413
58	U-TUBE,HI-TEMP. GENERATOR (3"RADIUS)	(31) 16JT09090423	(31) 16JT12590423	(33) 16JT09090423	(33) 16JT12590423
59	U-TUBE,HI-TEMP. GENERATOR (4"RADIUS)	(31) 16JT09090433	(31) 16JT12590433	(33) 16JT09090433	(33) 16JT12590433
60	U-TUBE,HI-TEMP. GENERATOR (5"RADIUS)	(30) 16JT09090443	(30) 16JT12590443	(31) 16JT09090443	(31) 16JT12590443
61	U-TUBE,HI-TEMP. GENERATOR (6"RADIUS)	(28) 16JT09090453	(28) 16JT12590453	(31) 16JT09090453	(31) 16JT12590453
62	EDUCTOR ASY.	(2) 16JT605753	(2) ->	(2) ->	(2) ->
63	EDUCTOR ASY.	(2) 16JT610743	(2) ->	(2) ->	(2) ->
64	RUPTURE DISC ASY (CARBON)(W/GASKETS)	17Q4317	->	->	->
65	GASKET,RUPTURE DISC (CARBON)	(2) CR90S2002	(2) ->	(2) ->	(2) ->
66	DISC,RUPTURE (CARBON)	17Q4317	->	->	->
67	RUPTURE DISC ASY (METALIC)	16DF0322014	->	->	->
68	GASKET,RUPTURE (METALIC)	(2) CT992X501	(2) ->	(2) ->	(2) ->
69	PROBE,LEVEL (HI-TEMP. GENERATOR)	16JT660001	->	->	->
70A	SIGHT GLASS(LCD FLOAT HSG.)(SCREWED)	KM36B2002	->	->	->
70B	SIGHT GLASS(LCD FLOAT HSG.)(WELDED)	C01PP-5751	->	->	->
71	GASKET,INNER (SIGHT GLASS)	CSP-N07852	->	->	->
72	GASKET,OUTER (SIGHT GLASS)	C01PP-57516	->	->	->
73	FLOAT ASY,HI-REFRIG. LEVEL SWITCH	(3) 16JT832424	(3) ->	(3) ->	(3) ->
74	FLOAT ASY,LO-REFRIG. LEVEL SWITCH	16JT832424	->	->	->
75A	FLOAT VALVE ASY,COND. DRAIN (MEX.)	16JT1501786	->	->	->
75B	FLOAT VALVE ASY,COND. DRAIN (EBARA)	AAW150C-1786	->	->	->
76A	BALL,FLOAT (MEX.)	16JT8101097	->	->	->
76B	BALL,FLOAT (EBARA)	CSP-B02042	->	->	->
77	ARM,FLOAT	16JT0901787	->	->	->
78	SHAFT(FLOAT VALVE)	16JT09017861	->	->	->
79	GASKET(FLOAT VALVE)(W/HOLES)	16JT09017867	->	->	->
80	GASKET(FLOAT VALVE)(W/SLOT)	16JT09017869	->	->	->
81	PIN,TAPER(FLOAT VALVE)	(2) 16JT8241186	(2) ->	(2) ->	(2) ->
82	PLUG,RELIEF(FLOAT VALVE)	16JT8245071	->	->	->
83	BUSHING(FLOAT VALVE)(L=3/4)	16JT8245077	->	->	->
84	BUSHING(FLOAT VALVE)(L=5/8)	16JT8245078	->	->	->
85	STRAINER(FLOAT VALVE)	16JT8245441	->	->	->
86	WASHER,RETAINING(FLOAT VALVE)	16JT8245442	->	->	->
87A	FLOAT VALVE ASY,LCD (MEX.)	16JT1355101	->	->	->
87B	FLOAT VALVE ASY,LCD (EBARA)	AAW135-5101	->	->	->
88	COLLAR,ARM (LCD)	(2) 16JT08051031	(2) ->	(2) ->	(2) ->
89	GASKET (LCD)	(3) 16JT13551071	(3) ->	(3) ->	(3) ->
90	SHAFT (LCD)	16JT13551011	->	->	->
91	DISC,FLOAT (LCD)	16JT13551021	->	->	->
92	ARM,FLOAT (LCD)	(2) 16JT13551062	(2) ->	(2) ->	(2) ->
93A	BALL,FLOAT (LCD) (MEX.)	16JT8101093	->	->	->

PARTS LIST CATALOG

PARTS LIST PAGE: 018

CATALOG NO.: RCD-3516-004 REV. A  
SUPERSEDES : RCD-3516-004 REV.

NOTE: SEE "CATALOG NOTES" ON LAST PAGE FOR EXPLANATION OF SYMBOLISM.



DOUBLE EFFECT HERMETIC  
LIQUID ABSORPTION  
CHILLER

16JT

SIZE: 080 150  
SERIES: CMX/EBARA

ITM	PART DESCRIPTION	16JT 120	16JT 120L	16JT 135	16JT 135L
		ALL VOLTAGES	ALL VOLTAGES	ALL VOLTAGES	ALL VOLTAGES
<b>GENERAL PARTS LIST</b>					
93B	BALL,FLOAT (LCD) (EBARA)	CSP-B01895	->	->	->
94	O-RING (LCD) (MEX.)	(2) 16JT8105748	(2) ->	(2) ->	(2) ->
95	PIN,STRAIGHT (LCD)	(2) 16JT8575737	(2) ->	(2) ->	(2) ->
96	PIN,TAPER (LCD)	(2) 16JT8575738	(2) ->	(2) ->	(2) ->
97A	BUSHING,HSG. (LCD) (PSN WK#7 1996)	(2) 16JT8105731	(2) ->	(2) ->	(2) ->
97B	BUSHING,HSG. (LCD) (SSN WK#7 1996)	(2) 16JT8575741	(2) ->	(2) ->	(2) ->
<b>PUMP GROUP</b>					
98A	PUMP,SOL.(7.5HP)(230/460-60HZ)(MEX.)	(2) 16JT8541076	(2) ->	(2) ->	(2) ->
98B	PUMP,SOL.(7.5HP)(575-60HZ)(MEX.)	(2) 16JT8541076-1	(2) ->	(2) ->	(2) ->
98C	PUMP,SOL.(7.5HP)(380-60HZ)(MEX.)	(2) 16JT8541076-3	(2) ->	(2) ->	(2) ->
99	MOTOR REPLACEMENT KIT (7.5HP)	16JT660004	->	->	->
100	BEARING,FRONT	16JT680011	->	->	->
101	BEARING,DRIVE	16JT680012	->	->	->
102	RING,MOTOR	16JT680020	->	->	->
103	SPRING	16JT680016	->	->	->
104	RING,CASING	KK09XD015	->	->	->
105	O-RING	16JT680017	->	->	->
105A	IMPELLER (60HZ)	KK75XA594	->	->	->
105B	IMPELLER (50HZ)	KK75XA600	NOT AVAIL. AT REL.	KK75XA600	NOT AVAIL. AT REL.
106	KEY,IMPELLER	16JT680007	->	->	->
107	LOCKING SCREW,IMPELLER	16JB680048	->	->	->
108	WASHER,IMPELLER	16JB680044	->	->	->
109A	PUMP,REF.(5HP)(230/460-60HZ)(MEX.)	16JT1001075	->	->	->
109B	PUMP,REF.(5HP)(575-60HZ)(MEX.)	16JT1001075-1	->	->	->
109C	PUMP,REF.(5HP)(380-60HZ)(MEX.)	16JT1001075-3	->	->	->
110	MOTOR REPLACEMENT KIT (5HP)	16JB660032	->	->	->
111	BEARING,FRONT	16JT680011	->	->	->
112	BEARING,DRIVE	16JT680011	->	->	->
113	RING,MOTOR	KK09XD320	->	->	->
114	RING,CASING	KK09XD015	->	->	->
115	GASKET	16JT680009	->	->	->
115A	IMPELLER (60HZ)	KK75XA603	->	->	->
115B	IMPELLER (50HZ)	NOT AVAIL. AT REL.	->	->	->
116	KEY,IMPELLER	16JT680006	->	->	->
117	LOCKING SCREW,IMPELLER	KT592P031	->	->	->
118	WASHER,IMPELLER	KT592P021	->	->	->
119	SPRING	16JT680015	->	->	->
120A	PUMP,SOL.SPR(3HP)(230/460-60HZ)(MEX.)	X	X	X	X
120B	PUMP,SOL.SPR(3HP)(575-60HZ)(MEX.)	X	X	16JT1351077-1	16JT1351078-1
120C	PUMP,SOL.SPR(3HP)(380-60HZ)(MEX.)	X	X	16JT1351077-3	16JT1351078-3
121	MOTOR REPLACEMENT KIT (3HP)	X	X	16JB660031	->
122	BEARING,FRONT	X	X	16JT680011	->
123	BEARING,DRIVE	X	X	16JT680011	->
124	RING,MOTOR	X	X	KK09XC042	->
125	SPRING	X	X	16JT680015	->
126	RING,CASING	X	X	KK09XD018	->
127	GASKET	X	X	16JT680009	->
127A	IMPELLER (60HZ)	X	X	NOT AVAIL. AT REL.	KK75XA543
127B	IMPELLER (50HZ)	X	X	NOT AVAIL. AT REL.	->
128	KEY,IMPELLER	X	X	16JT680022	->
129	LOCKING SCREW,IMPELLER	X	X	KK592P031	->
130	WASHER,IMPELLER	X	X	KT592P021	->
131A	PUMP,SOLUTION (208V-60HZ) (EBARA)	(2) A16JH065-727X1	(2) ->	(2) AAW150-6815X1	(2) ->
131B	PUMP,SOLUTION (460V-60HZ) (EBARA)	(2) A16JH065-736X1	(2) ->	(2) AAW150-6918X1	(2) ->

PARTS LIST CATALOG

PARTS LIST PAGE: 019

CATALOG NO.: RCD-3516-004 REV. A  
SUPERSEDES : RCD-3516-004 REV.

NOTE: SEE "CATALOG NOTES" ON LAST PAGE FOR EXPLANATION OF SYMBOLISM.



DOUBLE EFFECT HERMETIC  
LIQUID ABSORPTION  
CHILLER

16JT

SIZE: 080 150  
SERIES: CMX/EBARA

ITM	PART DESCRIPTION	16JT 120	16JT 120L	16JT 135	16JT 135L
		ALL VOLTAGES	ALL VOLTAGES	ALL VOLTAGES	ALL VOLTAGES
<b>PUMP GROUP</b>					
131C	PUMP,SOLUTION (480V-60HZ) (EBARA)	(2) A16JH065-737X1	(2) ->	(2) AAN150-6919X1	(2) ->
132	BEARING,RADIAL	(2) C16JA097-8222	(2) ->	(2) ->	(2) ->
133	BEARING,THRUST	(2) C16JA097-8212	(2) ->	(2) ->	(2) ->
134	COLLAR,THRUST	(2) C16JH041-8202	(2) C16JH054-8202	(2) C16JH041-8202	(2) ->
135	WEAR RING,PUMP CASING	C16JH032-8232	->	->	->
136	WEAR RING,MOTOR SIDE	C16JH041-8232	C16JH054-8232	C16JH041-8232	->
137	GASKET,CASING SIDE	C16JA097-8532	->	->	->
138	GASKET,END COVER SIDE	C16JA097-9242	->	->	->
139	LOCK NUT,IMPELLER	C16JA032-9222	->	->	->
140	WASHER,IMPELLER	C16JA032-9232	->	->	->
141	KEY,IMPELLER	C16JA032-9212	->	->	->
142	O-RING	C16JA010-8262	->	->	->
143A	PUMP,REFRIGERANT (208V-60HZ) (EBARA)	AAN110-6815X1	->	->	->
143B	PUMP,REFRIGERANT (460V-60HZ) (EBARA)	AAN110-6918X1	->	->	->
143C	PUMP,REFRIGERANT (480V-60HZ) (EBARA)	AAN110-6919X1	->	->	->
144	BEARING,RADIAL	(2) C16JA010-8222	(2) ->	(2) ->	(2) ->
145	BEARING,THRUST	(2) C16JA010-8212	(2) ->	(2) ->	(2) ->
146	COLLAR,THRUST	(2) C16JA018-8242	(2) ->	(2) ->	(2) ->
147	WEAR RING,PUMP CASING	C16JA010-8232	->	->	->
148	WEAR RING,MOTOR SIDE	C16JA012-8232	->	->	->
149	GASKET,CASING SIDE	C16JA014-8532	->	->	->
150	GASKET,END COVER SIDE	C16JA010-9242	->	->	->
151	LOCK NUT,IMPELLER	C16JA010-9222	->	->	->
152	WASHER,IMPELLER	C16JA010-9232	->	->	->
153	KEY,IMPELLER	C16JA010-9212	->	->	->
154	O-RING	(2) C16JA010-8262	(2) ->	(2) ->	(2) ->
155A	PUMP,SOL. SPRAY (208V-60HZ) (EBARA)	X	X	A16JH021-168X1	A16JH018-120X1
155B	PUMP,SOL. SPRAY (460V-60HZ) (EBARA)	X	X	A16JH021-162X1	A16JH018-144X1
155C	PUMP,SOL. SPRAY (480V-60HZ) (EBARA)	X	X	A16JH021-160	A16JH018-150X1
156	BEARING,RADIAL	X	X	(2) C16JA010-8222	(2) ->
157	BEARING,THRUST	X	X	(2) C16JA010-8212	(2) ->
158	COLLAR,THRUST	X	X	(2) C16JA018-8242	(2) ->
159	WEAR RING,PUMP CASING	X	X	C16JA010-8232	->
160	WEAR RING,MOTOR SIDE	X	X	C16JA012-8232	->
161	GASKET,CASING SIDE	X	X	C16JA014-8532	->
162	GASKET,END COVER SIDE	X	X	C16JA010-9242	->
163	LOCK NUT,IMPELLER	X	X	C16JA010-9222	->
164	WASHER,IMPELLER	X	X	C16JA010-9232	->
165	KEY,IMPELLER	X	X	C16JA010-9212	->
166	O-RING	X	X	(2) C16JA010-8262	(2) ->
167	VACUUM PUMP (10.6 CFM)(230/460-3-60)	16JT8248301	->	->	->
168	VACUUM PUMP (10.6 CFM)(575-3-60)	16JT8248302	->	->	->
170	VACUUM PUMP (.9 CFM)(230/460-3-60)	16JT8248305	->	->	->
171	VACUUM PUMP (.9 CFM)(575-3-60)	16JT8248306	->	->	->
172	VACUUM PUMP (.9 CFM)(380-3-60)	16JT8248307	->	->	->
173	FITTING,BARBED (3/4 NPT X 1/2 I.D.)	16JT8577314	->	->	->
174	TUBING,VACUUM 5'LONG (CUT TO SUIT)	16JT8577334	->	->	->
175	CLAMP	(2) KA69JM828	(2) ->	(2) ->	(2) ->
<b>MECHANICAL CONTROLS GROUP</b>					
176	SWITCH,LOW TEMP. (CHILLED WATER)	16JT8106656	->	->	->
177	SWITCH,HIGH TEMP. (HIGH TEMP. GEN.)	11B06-46	->	->	->
178	SWITCH,HIGH PRESS. (HIGH TEMP. GEN.)	16DF04090070	->	->	->
179	SWITCH,TEMP. (SPRAY LINE)	11B06-46	->	->	->
180	PROBE,LEVEL (HI-TEMP. GEN.)	16JT660001	->	->	->

PARTS LIST CATALOG

PARTS LIST PAGE: 020

CATALOG NO.: RCD-3516-004 REV. A  
SUPERSEDES : RCD-3516-004 REV.

NOTE: SEE "CATALOG NOTES" ON LAST PAGE FOR EXPLANATION OF SYMBOLISM.



DOUBLE EFFECT HERMETIC  
LIQUID ABSORPTION  
CHILLER

16JT

SIZE: 080 150  
SERIES: CMX/EBARA

ITM	PART DESCRIPTION	16JT 120	16JT 120L	16JT 135	16JT 135L
		ALL VOLTAGES	ALL VOLTAGES	ALL VOLTAGES	ALL VOLTAGES
<b>MECHANICAL CONTROLS GROUP</b>					
181	SWITCH, REED (12")	16JT8101090	->	->	->
182	SWITCH, REED (18")	16JT8321090	->	->	->
183	SWITCH, REED (20")	16JT8571090	->	->	->
184	SWITCH, REED (22")	16JT8801090	->	->	->
185 N	RTD, PT100 OHMS (EBARA)	CSP-M06591	->	->	->
186 N	THERMOSTAT, SDL, HI-TEMP (EBARA)	C01PP-57491	->	->	->
187 N	THERMOSTAT, CHW, LO-TEMP (EBARA)	CSP-M07431	->	->	->
188 N	THERMOSTAT, CYCLE GUARD (EBARA)	C01PP-58612	->	->	->
189 N	THERMISTOR 3" (EBARA)	HH79N2070	->	->	->
190 N	THERMISTOR 8" (EBARA)	HH79N2071	->	->	->
191 N	VACCUUM SWITCH (EBARA)	C01PP-63401	->	->	->
192A	CONTROL BOX ASY (208/230-3-60)	16JT810702	->	16JT810703	->
192B	CONTROL BOX ASY (460-3-60)	16JT810705	->	16JT810706	->
193	LEVEL CONTROL (WARRICK)	16JT680033	->	->	->
194	DISC. SWITCH (100A)(TELEMECANIQUE)	D10S3	->	->	->
195	FUSE KIT (30A) (TELEMECANIQUE)	D12E62	->	->	->
196	FUSE KIT (60A) (TELEMECANIQUE)	D12F63	->	->	->
197	CONTACTOR (PUMPS) (CUTLER-HAMMER)	(5) C25DND325A	(5) ->	(5) ->	(5) ->
198	OVERLOAD DEVICE (PUMPS) (FURNAS)	(5) 48DC38AA45Z	(5) ->	(5) ->	(5) ->
199	CAPACITY CONTROLLER (HONEYWELL)	DC300K000321B0000	->	->	->
200	TRANSFORMER (HEVI-DUTY)	E550N	->	->	->
201	TRANSDUCER (TRIAD TECHNOLOGY)	UC-3800-4-4-0	->	->	->
202	AC/DC SONALERT (MALLORY/SONALERT)	SC-110-P	->	->	->
203	ELAPSED TIME METER (CARRIER-RCD)	19EA660035	->	->	->
204	"V" LAMP (SYLVANIA)	(8) 6S6 145V	(8) ->	(8) ->	(8) ->
205	2-POS. SELECT. SW. (ALLEN-BRADLEY)	(2) 800T-H2A	(2) ->	(2) ->	(2) ->
206	ON DELAY TIMER (ATC)	(5) 339A200Q2X	(5) ->	(5) ->	(5) ->
207	RELAY, PLUG-IN (POTTER & BRUMFIELD)	(21) 16JT8101109	(21) ->	(21) ->	(21) ->
208	INDICATOR LIGHT BODY (DIALCO)	(8) 103-3101-05-4	(8) ->	(8) ->	(8) ->
209	RED LENS (DIALCO)	(4) 103-1211-403	(4) ->	(4) ->	(4) ->
210	GREEN LENS (DIALCO)	(2) 103-1212-403	(2) ->	(2) ->	(2) ->
211	AMBER LENS (DIALCO)	103-1213-403	->	->	->
212	WHITE LENS (DIALCO)	103-1235-403	->	->	->
213	HANDLE, DISCONNECT (TELEMECANIQUE)	D11SF10	->	->	->
214	RELAY SOCKETS(3POLE)(CUSTOM CONN.)	(21) SL711	(21) ->	(21) ->	(21) ->
215	RELAY SOCKETS(2POLE)(CUSTOM CONN.)	(5) SL608	(5) ->	(5) ->	(5) ->
216	REMOTE TEMP. DETECTOR (PYROMATION)	RIT185L48093-SL-601	->	->	->
217	THERMOWELL (PYROMATION)	1/2"-2601-U4-1/2-316	->	->	->
218	START BUTTON (GREEN)	(2) 16JT8101107	(2) ->	(2) ->	(2) ->
219	STOP BUTTON (RED)	(2) 16JT8121107	(2) ->	(2) ->	(2) ->
220	ALARM STOP-BUTTON (ALLEN-BRADLEY)	800T-A2D1	->	->	->
221	TERMINAL BLOCK (ALLEN-BRADLEY)	1492-CA2	->	->	->
<b>PIC CONTROLS GROUP</b>					
222	SWITCH, LOW TEMP. (CHILLED WATER)	16JT8106656	->	->	->
223	SWITCH, HIGH TEMP. (HIGH TEMP. GEN.)	11B06-46	->	->	->
224	SWITCH, HIGH PRESS. (HIGH TEMP. GEN.)	16DF04090070	->	->	->
225	SWITCH, COOLING WATER DIF.	HK06ZC003	->	->	->
226	PROBE, LEVEL (HIGH TEMP. GEN.)	16JT660001	->	->	->
227	THERMISTOR (5K)	(13) HH79N2047	(13) ->	(13) ->	(13) ->
228	THERMISTOR (100K)	(5) HH79N2070	(5) ->	(5) ->	(5) ->
229	CABLE ASY, TEMPERATURE SENSOR	HH79N2072	->	->	->
230	TRANSDUCER, LOW PRESSURE	HK05Y2004	->	->	->
231	TRANSDUCER, HIGH PRESSURE	(2) HK05Y2002	(2) ->	(2) ->	(2) ->
232	CABLE ASY, HIGH/LOW PRESSURE	16JT810798	->	->	->

PARTS LIST CATALOG

PARTS LIST PAGE: 021

CATALOG NO.: RCD-3516-004 REV. A  
SUPERSEDES: RCD-3516-004 REV.

NOTE: SEE "CATALOG NOTES" ON LAST PAGE FOR EXPLANATION OF SYMBOLISM.



DOUBLE EFFECT HERMETIC  
LIQUID ABSORPTION  
CHILLER

16JT

SIZE: 080 150  
SERIES: CMX/EBARA

ITM	PART DESCRIPTION	16JT 120	16JT 120L	16JT 135	16JT 135L
		ALL VOLTAGES	ALL VOLTAGES	ALL VOLTAGES	ALL VOLTAGES
<b>PIC CONTROLS GROUP</b>					
233	FLOAT SWITCH,ANALOG (12")	16JT810788	->	->	->
234	FLOAT SWITCH,ANALOG (18")	16JT810789	->	->	->
235	FLOAT SWITCH,ANALOG (20")	16JT810790	->	->	->
236	FLOAT SWITCH,DISCRETE	(3) 16JT832424	(3) ->	(3) ->	(3) ->
237	SWITCH,REED (12")	16JT8101090	->	->	->
238	SWITCH,REED (18")	16JT8321090	->	->	->
239	SWITCH,REED (20")	16JT8571090	->	->	->
240	SWITCH,REED (22")	16JT8801090	->	->	->
241	16JT PIC CONTROL PANEL DWG(REF.ONLY)	16JT810763	->	->	->
242	LID 2B	CES0130036	->	->	->
243	PSIO II	CEP110189-02	->	->	->
244	CONTROLLER,PIC MODULE (FID)	16JT810720	->	->	->
245	TRANSFORMER (575/460/230 TO 110)(T	16JT8101101	->	->	->
246	TRANSFORMER (110 TO 21)(TR1,TR2,TR	(3) HT01BD113	(3) ->	(3) ->	(3) ->
247	TRANSFORMER (110 TO 24)(TR5)	HT01AW235	->	->	->
248	TRANSFORMER (21 TO 5)(TR4)	HK35AA002	->	->	->
249	CIRCUIT BREAKER	HH83ZB001	->	->	->
250	RELAY BOARD,SIX PACK (RB1,RB2)	HK35AA001	->	->	->
251A	RELAY (CR1 - CR7) (PSN WK#6 1997)	(7) 16JT8101109	(7) ->	(7) ->	(7) ->
251B	RELAY (CR1 - CR7) (SSN WK#6 1997)	(7) 16JT8101102	(7) ->	(7) ->	(7) ->
252	RELAY,HIGH LEVEL	16JT680033	->	->	->
253	STARTER BLOCK(RP1,SP1,SP2,SSP1,VP1	16JT8101103	->	->	->
254A	FUSE (F1/SP1) (208/240-3-60)	(3) LPJ-50	(3) ->	(3) ->	(3) ->
254B	FUSE (F1/SP1) (416/480-3-60)	(3) LPJ-25	(3) ->	(3) ->	(3) ->
254C	FUSE (F1/SP1) (550/600-3-60)	(3) LPJ-20	(3) ->	(3) ->	(3) ->
254D	FUSE (F1/SP1) (380-3-50)	(3) LPJ-25	(3) ->	(3) ->	(3) ->
255A	FUSE (F2/SP2) (208/240-3-60)	(3) LPJ-50	(3) ->	(3) ->	(3) ->
255B	FUSE (F2/SP2) (416/480-3-60)	(3) LPJ-25	(3) ->	(3) ->	(3) ->
255C	FUSE (F2/SP2) (550/600-3-60)	(3) LPJ-20	(3) ->	(3) ->	(3) ->
255D	FUSE (F2/SP2) (380-3-50)	(3) LPJ-25	(3) ->	(3) ->	(3) ->
256A	FUSE (F3/RP1) (208/240-3-60)	(3) LPJ-35	(3) ->	(3) ->	(3) ->
256B	FUSE (F3/RP1) (416/480-3-60)	(3) LPJ-20	(3) ->	(3) ->	(3) ->
256C	FUSE (F3/RP1) (550/600-3-60)	(3) LPJ-15	(3) ->	(3) ->	(3) ->
256D	FUSE (F3/RP1) (380-3-50)	(3) LPJ-20	(3) ->	(3) ->	(3) ->
257A	FUSE (F4/SSP1) (208/240-3-60)	X	X	(3) LPJ-25	(3) ->
257B	FUSE (F4/SSP1) (416/480-3-60)	X	X	(3) LPJ-10	(3) ->
257C	FUSE (F4/SSP1) (550/600-3-60)	X	X	(3) LPJ-10	(3) ->
257D	FUSE (F4/SSP1) (380-3-50)	X	X	(3) LPJ-10	(3) ->
258A	FUSE (F5/VP1) (208/240-3-60)	(3) LPJ-3	(3) ->	(3) ->	(3) ->
258B	FUSE (F5/VP1) (416/480-3-60)	(3) LPJ-2	(3) ->	(3) ->	(3) ->
258C	FUSE (F5/VP1) (550/600-3-60)	(3) LPJ-2	(3) ->	(3) ->	(3) ->
258D	FUSE (F5/VP1) (380-3-50)	(3) LPJ-2	(3) ->	(3) ->	(3) ->
259A	FUSE (FB6) (208/240-3-60)	LPJ-5	->	->	->
259B	FUSE (FB6) (416/480-3-60)	LPJ-5	->	->	->
259C	FUSE (FB6) (550/600-3-60)	LPJ-5	->	->	->
259D	FUSE (FB6) (380-3-50)	LPJ-5	->	->	->
260	OVERLOAD RELAY	(5) HN68JX003	(5) ->	(5) ->	(5) ->
261A	HEATER,OVERLOAD(OL1)(208/240-3-60)	(3) HN71JC069	(3) ->	(3) ->	(3) ->
261B	HEATER,OVERLOAD(OL1)(416/480-3-60)	(3) HN71JC055	(3) ->	(3) ->	(3) ->
261C	HEATER,OVERLOAD(OL1)(550/600-3-60)	(3) HN71JC052	(3) ->	(3) ->	(3) ->
261D	HEATER,OVERLOAD(OL1)(380-3-50)	(3) HN71JC055	(3) ->	(3) ->	(3) ->
262A	HEATER,OVERLOAD(OL2)(208/240-3-60)	(3) HN71JC069	(3) ->	(3) ->	(3) ->
262B	HEATER,OVERLOAD(OL2)(416/480-3-60)	(3) HN71JC055	(3) ->	(3) ->	(3) ->
262C	HEATER,OVERLOAD(OL2)(550/600-3-60)	(3) HN71JC052	(3) ->	(3) ->	(3) ->

PARTS LIST CATALOG

PARTS LIST PAGE: 022

CATALOG NO.: RCD-3516-004 REV. A  
SUPERSEDES : RCD-3516-004 REV.

NOTE: SEE "CATALOG NOTES" ON LAST PAGE FOR EXPLANATION OF SYMBOLISM.



DOUBLE EFFECT HERMETIC  
LIQUID ABSORPTION  
CHILLER

16JT

SIZE: 080 150  
SERIES: CMX/EBARA

ITM	PART DESCRIPTION	16JT 120	16JT 120L	16JT 135	16JT 135L
		ALL VOLTAGES	ALL VOLTAGES	ALL VOLTAGES	ALL VOLTAGES
<b>PIC CONTROLS GROUP</b>					
262D	HEATER,OVERLOAD(OL2)(380-3-50)	(3) HN71JC055	(3) ->	(3) ->	(3) ->
263A	HEATER,OVERLOAD(OL3)(208/240-3-60)	(3) HN71JC061	(3) ->	(3) ->	(3) ->
263B	HEATER,OVERLOAD(OL3)(416/480-3-60)	(3) HN71JC050	(3) ->	(3) ->	(3) ->
263C	HEATER,OVERLOAD(OL3)(550/600-3-60)	(3) HN71JC043	(3) ->	(3) ->	(3) ->
263D	HEATER,OVERLOAD(OL3)(380-3-50)	(3) HN71JC050	(3) ->	(3) ->	(3) ->
264A	HEATER,OVERLOAD(OL4)(208/240-3-60)	X	X	(3) HN71JC054	(3) ->
264B	HEATER,OVERLOAD(OL4)(416/480-3-60)	X	X	(3) HN71JC041	(3) ->
264C	HEATER,OVERLOAD(OL4)(550/600-3-60)	X	X	(3) HN71JC037	(3) ->
264D	HEATER,OVERLOAD(OL4)(380-3-50)	X	X	(3) HN71JC041	(3) ->
265A	HEATER,OVERLOAD(OL5)(208/240-3-60)	(3) HN71JC021	(3) ->	(3) ->	(3) ->
265B	HEATER,OVERLOAD(OL5)(416/480-3-60)	(3) HN71JC021	(3) ->	(3) ->	(3) ->
265C	HEATER,OVERLOAD(OL5)(550/600-3-60)	(3) HN71JC021	(3) ->	(3) ->	(3) ->
265D	HEATER,OVERLOAD(OL5)(380-3-50)	(3) HN71JC021	(3) ->	(3) ->	(3) ->
266	DISCONNECT,100 AMP (MDC)	16JT8101105	->	->	->
267	SWITCH,SELECTOR (AUTO/MANUAL)	16JT8101106	->	->	->
268	PUSH-BUTTON,START (GREEN)	16JT8101107	->	->	->
269	PUSH-BUTTON,STOP (RED)	16JT8121107	->	->	->
270	INDICATOR LIGHT (WHITE)	16JT8121108	->	->	->
271	INDICATOR LIGHT (GREEN)	(3) 16JT8101108	(3) ->	(3) ->	(3) ->
272	COOLING FAN (DAYTON)	4C550/4C551/5C032	->	->	->
273	DOOR LATCH (EMKA, INC.)	1125-U206-01G	->	->	->
274	HANDLE,DISCONNECT (TELEMECANIQUE)	D115F4	->	->	->
275	TERM.BLOCK(TB2,TB3)(ALLEN BRADLEY)	1492-W4	->	->	->
276	TERM.BLOCK(TB1)(ALLEN BRADLEY)	1492-W6	->	->	->
277	MODULE (8 INPUT/OUTPUT)	(3) HK50AA006	(3) ->	(3) ->	(3) ->
278	CONNECTOR (18 PIN)	(3) HY84EE021	(3) ->	(3) ->	(3) ->
279	CONNECTOR (3 PIN)	HY84EE003	->	->	->
280	CONNECTOR (4 PIN)	HY84EE004	(2) ->	(2) ->	(2) ->
281	FUSE BLOCK (FB6) (MARATHON)	F30A15P	->	->	->
282	TERMINAL BLOCK (TERM) (MARATHON)	208	->	->	->
283	CONNECTOR (9 POS.) (AMP)	(2) 350763-4	(2) ->	(2) ->	(2) ->
284	CONNECTOR (6 POS.) (AMP)	(2) 350762-4	(2) ->	(2) ->	(2) ->
<b>MISCELLANEOUS GROUP</b>					
285 N	FLOW SWITCH,DIFF. PRESSURE(150 PSIG)	HK06ZC033	->	->	->
286 N	FLOW SWITCH,DIFF. PRESSURE(300 PSIG)	HK06ZC001	->	->	->
288 N	STEAM VALVE (1" ELECTRIC)	16JT05000801	->	->	->
289 N	STEAM VALVE (1" PNEUMATIC)	16JT05000101	->	->	->
290 N	STEAM VALVE (1-1/4" ELECTRIC)	16JT05000901	->	->	->
291 N	STEAM VALVE (1-1/4" PNEUMATIC)	16JT05000201	->	->	->
292 N	STEAM VALVE (1-1/2" ELECTRIC)	16JT05001001	->	->	->
293 N	STEAM VALVE (1-1/2" PNEUMATIC)	16JT05000301	->	->	->
294 N	STEAM VALVE (2" ELECTRIC)	16JT05001101	->	->	->
295 N	STEAM VALVE (2" PNEUMATIC)	16JT05000401	->	->	->
296 N	STEAM VALVE (2-1/2" ELECTRIC)	16JT05001201	->	->	->
297 N	STEAM VALVE (2-1/2" PNEUMATIC)	16JT05000501	->	->	->
298 N	STEAM VALVE (3" ELECTRIC)	16JT05001301	->	->	->
299 N	STEAM VALVE (3" PNEUMATIC)	16JT05000601	->	->	->
300 N	STEAM VALVE (4" ELECTRIC)	16JT05001401	->	->	->
301 N	STEAM VALVE (4" PNEUMATIC)	16JT05000701	->	->	->
302 N	LITH. BROMIDE(30 GAL)NON-INHIBITED	PS16CP030	->	->	->
303 N	LITH. BROMIDE(30 GAL)CHROMATE-INHIB.	PS25AL254	->	->	->
304 N	LITH. BROMIDE(15 GAL)NON-INHIBITED	PS20BL260	->	->	->
305 N	LITH. BROMIDE(15 GAL)CHROMATE-INHIB.	PS25AL251	->	->	->
306 N	LITH. HYDROXIDE (TO ADJUST ALKY)	16JB032003	->	->	->

PARTS LIST CATALOG

PARTS LIST PAGE: 023

CATALOG NO. : RCD-3516-004 REV. A  
SUPERSEDES : RCD-3516-004 REV.

NOTE: SEE "CATALOG NOTES" ON LAST PAGE FOR EXPLANATION OF SYMBOLISM.





DOUBLE EFFECT HERMETIC  
LIQUID ABSORPTION  
CHILLER

16JT

SIZE: 080 150  
SERIES: CMX/EBARA

ITM	PART DESCRIPTION	16JT 150		16JT 150L	
		ALL VOLTAGES		ALL VOLTAGES	
<b>GENERAL PARTS LIST</b>					
1A	GASKET, EVAPORATOR WATER BOX (150#)	(2)	16JT15034333	(2)	->
1B	GASKET, EVAPORATOR WATER BOX (300#)	(2)	16JT15034334	(2)	->
2A	GASKET, ABSORBER WATER BOX (150#)	(2)	16JT15034033	(2)	->
2B	GASKET, ABSORBER WATER BOX (300#)	(2)	16JT15034034	(2)	->
3A	GASKET, CONDENSER WATER BOX (150#)	(2)	16JT15044033	(2)	->
3B	GASKET, CONDENSER WATER BOX (300#)	(2)	16JT15044034	(2)	->
4	GASKET, STEAM BOX COVER		16JT15054032		->
5 N	GASKET, DIV. PLT. (20") (EVAP/ABS/COND)		16JB680043		->
6 N	GASKET, PARTITION (HI-TEMP. GEN.)	(2)	16JT08016022	(2)	->
7	GASKET, RING (2") (COND. DRAIN PIPING)	(5)	CT990X401	(5)	->
8	GASKET, RING (3") (COND. DRAIN PIPING)	(2)	CT990X501	(2)	->
9AN	GASKET, CROSSOVER PIPE (ABS/COND) (150#)		X		X
9BN	GASKET, CROSSOVER PIPE (ABS/COND) (300#)		X		X
10	GASKET (COND. DRAIN FLOAT HOUSING)		16JT09017813		->
11	GASKET, HI-REFRIG. LEVEL SWITCH HSG.		16JT8325712		->
12	GASKET, LO-REFRIG. LEVEL SWITCH HSG.		16JT09031923		->
14A	GASKET, FLOAT BOX (LCD) (SSN WK#7 1996)		16JT12051563		->
14B	GASKET, FLOAT BOX (LCD) (PSN WK#7 1996)		16JT12051563		->
15	VALVE, DIAPHRAM (1/2") (SCREWED)	(6)	EF71CA181	(8)	->
16A	DIAPHRAM REPLACEMENT (MEX.)		EF792A181		->
16B	DIAPHRAM REPLACEMENT (EBARA)		C01PP-61102		->
17	VALVE, DIAPHRAM (1") (WELDED)	(5)	16JT8102473	(5)	->
18A	DIAPHRAM REPLACEMENT (MEX.)		16JT680026		->
18B	DIAPHRAM REPLACEMENT (EBARA)		C01PP-61104		->
19	VALVE, DIAPHRAM (1/2") (WELDED)	(2)	16JT8102472	(2)	->
20A	DIAPHRAM REPLACEMENT (MEX.)		16JT680024		->
20B	DIAPHRAM REPLACEMENT (EBARA)		C01PP-61102		->
21	VALVE, DIAPHRAM (3/4") (WELDED)		16JT8102475		->
22A	DIAPHRAM REPLACEMENT (MEX.)		16JT680025		->
22B	DIAPHRAM REPLACEMENT (EBARA)		C01PP-61103		->
23	VALVE, DIAPHRAM (1-1/2") (WELDED)		16JT8102476		->
24A	DIAPHRAM REPLACEMENT (MEX.)		16JT680028		->
24B	DIAPHRAM REPLACEMENT (EBARA)		C01PP-61105		->
25	VALVE, DIAPHRAM (1") (WELDED)		EF71ZM006		->
26A	DIAPHRAM REPLACEMENT (MEX.)		EF792M006		->
26B	DIAPHRAM REPLACEMENT (EBARA)		C01PP-61104		->
27	VALVE, GLOBE (3/4") (COND. DRAIN)		16JT8241189		->
28	VALVE, GLOBE (3/8") (COND. DRAIN)		16JT8241188		->
29	VALVE, CHECK (1") (WELDED)		16DF07024053		->
30	VALVE, CHECK (2") (WELDED)		16DF07024056		->
31	VALVE, CHECK (2-1/2") (WELDED)		16DF07024057		->
32	VALVE, CHECK (2-1/2") (WELDED)	(2)	CSP-F02033	(2)	->
33	VALVE, CHECK (3") (WELDED)	(2)	X	(2)	X
34	VALVE, BALL (1/2") (HI-TEMP. GENERATOR)	(2)	EP71CQ181	(2)	->
35A	VALVE, SOLENOID (1")		16JT08010301		->
35B	VALVE, SOLENOID (3/4")		X		X
36AN	SOLENOID VALVE REPAIR KIT (1")		16JT680036		->
36BN	SOLENOID VALVE REPAIR KIT (3/4")		X		X
37 N	SOLENOID COIL (3/4" & 1")		16JT680035		->
40A	GAUGE, COMPOUND (MEX.)		16DF04090062		->
40B	GAUGE, COUPOUND (EBARA)		C01PP-57421		->
41	STRAINER, "Y" (COND. DRAIN)		16JT8102852		->
42 N	STRAINER ASY (JECTOR PIPING)	(3)	16JA010111	(3)	->
43	STRAINER ASY, TEE (SOLUTION)		16JT1505188		->

PARTS LIST CATALOG

PARTS LIST PAGE: 025

CATALOG NO. : RCD-3516-004 REV. A  
SUPERSEDES : RCD-3516-004 REV.

NOTE: SEE "CATALOG NOTES" ON LAST PAGE FOR EXPLANATION OF SYMBOLISM.



DOUBLE EFFECT HERMETIC  
LIQUID ABSORPTION  
CHILLER

16JT

SIZE: 080 150  
SERIES: CMX/EBARA

ITM	PART DESCRIPTION	16JT 150		16JT 150L	
		ALL VOLTAGES		ALL VOLTAGES	
<b>GENERAL PARTS LIST</b>					
44	PLUG,PIPE (1") (SOL. STRAINER)	(4)	CA63AA151	(4)	->
45	NOZZLE,SPRAY (ABSORBER)	(616)	16JA010386	(693)	->
46	NOZZLE,SPRAY (EVAPORATOR)	(168)	16DF0052823	(176)	->
47	NOZZLE,SPRAY(LO-TEMP. GENERATOR)	(284)	16DF0052813	(324)	->
48	TUBE,ABSORBER	(1009)	16JT09090103	(1009)	16JT12590103
49	TUBE,EVAPORATOR	(900)	16JT09090203	(900)	16JT12590253
50	HEAT EXCHANGER,DRAIN TRAP		16JT1006402		->
51	TUBE,LO-TEMP. GENERATOR	(533)	16JA0502992	(533)	16JT13690103
52	TUBE,CONDENSER	(461)	16JT09090103	(461)	16JT12590103
53	TUBE,LO-TEMP. HEAT EXCHANGER	(912)	16JT08090303	(912)	->
54	TUBE INSERT,LO-TEMP.HEAT EXCHANGER	(912)	16JT08090308	(912)	->
55	TUBE,HI-TEMP. HEAT EXCHANGER	(741)	16JT08090313	(816)	->
56	U-TUBE,HI-TEMP. GENERATOR (1"RADIUS)	(37)	16JT09090403	(37)	16JT12590403
57	U-TUBE,HI-TEMP. GENERATOR (2"RADIUS)	(37)	16JT09090413	(37)	16JT12590413
58	U-TUBE,HI-TEMP. GENERATOR (3"RADIUS)	(37)	16JT09090423	(37)	16JT12590423
59	U-TUBE,HI-TEMP. GENERATOR (4"RADIUS)	(35)	16JT09090433	(35)	16JT12590433
60	U-TUBE,HI-TEMP. GENERATOR (5"RADIUS)	(35)	16JT09090443	(35)	16JT12590443
61	U-TUBE,HI-TEMP. GENERATOR (6"RADIUS)	(33)	16JT09090453	(33)	16JT12590453
62	EDUCTOR ASY.	(2)	16JT605753	(2)	->
63	EDUCTOR ASY.	(2)	16JT610743	(2)	->
64	RUPTURE DISC ASY (CARBON)(W/GASKETS)		1704317		->
65	GASKET,RUPTURE DISC (CARBON)	(2)	CR90SZ002	(2)	->
66	DISC,RUPTURE (CARBON)		1704317		->
67	RUPTURE DISC ASY (METALIC)		16DF0322014		->
68	GASKET,RUPTURE (METALIC)	(2)	CT992X501	(2)	->
69	PROBE,LEVEL (HI-TEMP. GENERATOR)		16JT660001		->
70A	SIGHT GLASS(LCD FLOAT HSG.)(SCREWED)		KM36BZ002		->
70B	SIGHT GLASS(LCD FLOAT HSG.)(WELDED)		CO1PP-5751		->
71	GASKET,INNER (SIGHT GLASS)		CSP-N07852		->
72	GASKET,OUTER (SIGHT GLASS)		CO1PP-57516		->
73	FLOAT ASY,HI-REFRIG. LEVEL SWITCH	(3)	16JT832424	(3)	->
74	FLOAT ASY,LO-REFRIG. LEVEL SWITCH		16JT832424		->
75A	FLOAT VALVE ASY,COND. DRAIN (MEX.)		16JT1501786		->
75B	FLOAT VALVE ASY,COND. DRAIN (EBARA)		AAH150C-1786		->
76A	BALL,FLOAT (MEX.)		16JT8101097		->
76B	BALL,FLOAT (EBARA)		CSP-802042		->
77	ARM,FLOAT		16JT0901787		->
78	SHAFT(FLOAT VALVE)		16JT09017861		->
79	GASKET(FLOAT VALVE)(W/HOLES)		16JT09017867		->
80	GASKET(FLOAT VALVE)(W/SLOT)		16JT09017869		->
81	PIN,TAPER(FLOAT VALVE)	(2)	16JT8241186	(2)	->
82	PLUG,RELIEF(FLOAT VALVE)		16JT8245071		->
83	BUSHING(FLOAT VALVE)(L=3/4)		16JT8245077		->
84	BUSHING(FLOAT VALVE)(L=5/8)		16JT8245078		->
85	STRAINER(FLOAT VALVE)		16JT8245441		->
86	WASHER,RETAINING(FLOAT VALVE)		16JT8245442		->
87A	FLOAT VALVE ASY,LCD (MEX.)		16JT1505101		->
87B	FLOAT VALVE ASY,LCD (EBARA)		AAH150-5101		->
88	COLLAR,ARM (LCD)	(2)	16JT08051031	(2)	->
89	GASKET (LCD)	(3)	16JT13551071	(3)	->
90	SHAFT (LCD)		16JT15051011		->
91	DISC,FLOAT (LCD)		16JT15051021		->
92	ARM,FLOAT (LCD)	(2)	16JT15051062	(2)	->
93A	BALL,FLOAT (LCD) (MEX.)		16JT8101093		->

PARTS LIST CATALOG

PARTS LIST PAGE: 026

CATALOG NO.: RCD-3516-004 REV. A  
SUPERSEDES : RCD-3516-004 REV.

NOTE: SEE "CATALOG NOTES" ON LAST PAGE FOR EXPLANATION OF SYMBOLISM.



DOUBLE EFFECT HERMETIC  
LIQUID ABSORPTION  
CHILLER

16JT

SIZE: 080 150  
SERIES: CMX/EBARA

ITM	PART DESCRIPTION	16JT 150		16JT 150L	
		ALL VOLTAGES		ALL VOLTAGES	
<b>GENERAL PARTS LIST</b>					
93B	BALL,FLOAT (LCD) (EBARA)		CSP-R01893		->
94	O-RING (LCD) (MEX.)	(2)	16JT8105748	(2)	->
95	PIN,STRAIGHT (LCD)	(2)	16JT8575737	(2)	->
96	PIN,TAPER (LCD)	(2)	16JT8575738	(2)	->
97A	BUSHING,HSG. (LCD) (PSN WK#7 1996)	(2)	16JT8105731	(2)	->
97B	BUSHING,HSG. (LCD) (SSN WK#7 1996)	(2)	16JT8575741	(2)	->
<b>PUMP GROUP</b>					
98A	PUMP,SOL.(7.5HP)(230/460-60HZ)(MEX.)	(2)	16JT8541076	(2)	->
98B	PUMP,SOL.(7.5HP)(575-60HZ)(MEX.)	(2)	16JT8541076-1	(2)	->
98C	PUMP,SOL.(7.5HP)(380-60HZ)(MEX.)	(2)	16JT8541076-3	(2)	->
99	MOTOR REPLACEMENT KIT (7.5HP)		16JT660004		->
100	BEARING,FRONT		16JT680011		->
101	BEARING,DRIVE		16JT680012		->
102	RING,MOTOR		16JT680020		->
103	SPRING		16JT680016		->
104	RING,CASING		KK09XD015		->
105	O-RING		16JT680017		->
105A	IMPELLER (60HZ)		KK75XA594		->
105B	IMPELLER (50HZ)		KK75XA600		->
106	KEY,IMPELLER		16JT680007		->
107	LOCKING SCREW,IMPELLER		16JB680048		->
108	WASHER,IMPELLER		16JB680044		->
109A	PUMP,REF.(5HP)(230/460-60HZ)(MEX.)		16JT1001075		->
109B	PUMP,REF.(5HP)(575-60HZ)(MEX.)		16JT1001075-1		->
109C	PUMP,REF.(5HP)(380-60HZ)(MEX.)		16JT1001075-3		->
110	MOTOR REPLACEMENT KIT (5HP)		16JB660032		->
111	BEARING,FRONT		16JT680011		->
112	BEARING,DRIVE		16JT680011		->
113	RING,MOTOR		KK09XD320		->
114	RING,CASING		KK09XD015		->
115	GASKET		16JT680009		->
115A	IMPELLER (60HZ)		KK75XA603		->
115B	IMPELLER (50HZ)		NOT AVAIL. AT REL.		->
116	KEY,IMPELLER		16JT680006		->
117	LOCKING SCREW,IMPELLER		KT592P031		->
118	WASHER,IMPELLER		KT592P021		->
119	SPRING		16JT680015		->
120A	PUMP,SOL.SPR(3HP)(230/460-60HZ)(MEX.)		X		X
120B	PUMP,SOL.SPR(3HP)(575-60HZ)(MEX.)		16JT1351077-1		16JT1351078-1
120C	PUMP,SOL.SPR(3HP)(380-60HZ)(MEX.)		16JT1351077-3		16JT1351078-3
121	MOTOR REPLACEMENT KIT (3HP)		16JB660031		->
122	BEARING,FRONT		16JT680011		->
123	BEARING,DRIVE		16JT680011		->
124	RING,MOTOR		KK09XC042		->
125	SPRING		16JT680015		->
126	RING,CASING		KK09XD018		->
127	GASKET		16JT680009		->
127A	IMPELLER (60HZ)		NOT AVAIL. AT REL.		KK75XA543
127B	IMPELLER (50HZ)		NOT AVAIL. AT REL.		->
128	KEY,IMPELLER		16JT680022		->
129	LOCKING SCREW,IMPELLER		KK592P031		->
130	WASHER,IMPELLER		KT592P021		->
131A	PUMP,SOLUTION (208V-60HZ) (EBARA)	(2)	AAW150-6815X1	(2)	->
131B	PUMP,SOLUTION (460V-60HZ) (EBARA)	(2)	AAW150-6918X1	(2)	->

PARTS LIST CATALOG

PARTS LIST PAGE: 027

CATALOG NO.: RCD-3516-004 REV. A  
SUPERSEDES : RCD-3516-004 REV.

NOTE: SEE "CATALOG NOTES" ON LAST PAGE FOR EXPLANATION OF SYMBOLISM.



DOUBLE EFFECT HERMETIC  
LIQUID ABSORPTION  
CHILLER

16JT

SIZE: 080 150  
SERIES: CMX/EBARA

ITM	PART DESCRIPTION	16JT 150		16JT 150L	
		ALL VOLTAGES		ALL VOLTAGES	
<b>PUMP GROUP</b>					
131C	PUMP,SOLUTION (480V-60HZ) (EBARA)	(2)	AAW150-6919X1	(2)	->
132	BEARING,RADIAL	(2)	C16JA097-8222	(2)	->
133	BEARING,THRUST	(2)	C16JA097-8212	(2)	->
134	COLLAR,THRUST	(2)	C16JH041-8202	(2)	->
135	WEAR RING,PUMP CASING		C16JH032-8232		->
136	WEAR RING,MOTOR SIDE		C16JH041-8232		->
137	GASKET,CASING SIDE		C16JA097-8532		->
138	GASKET,END COVER SIDE		C16JA097-9242		->
139	LOCK NUT,IMPELLER		C16JA032-9222		->
140	WASHER,IMPELLER		C16JA032-9232		->
141	KEY,IMPELLER		C16JA032-9212		->
142	O-RING		C16JA010-8262		->
143A	PUMP,REFRIGERANT (208V-60HZ) (EBARA)		AAW110-6815X1		->
143B	PUMP,REFRIGERANT (460V-60HZ) (EBARA)		AAW110-6918X1		->
143C	PUMP,REFRIGERANT (480V-60HZ) (EBARA)		AAW110-6919X1		->
144	BEARING,RADIAL	(2)	C16JA010-8222	(2)	->
145	BEARING,THRUST	(2)	C16JA010-8212	(2)	->
146	COLLAR,THRUST	(2)	C16JA018-8242	(2)	->
147	WEAR RING,PUMP CASING		C16JA010-8232		->
148	WEAR RING,MOTOR SIDE		C16JA012-8232		->
149	GASKET,CASING SIDE		C16JA014-8532		->
150	GASKET,END COVER SIDE		C16JA010-9242		->
151	LOCK NUT,IMPELLER		C16JA010-9222		->
152	WASHER,IMPELLER		C16JA010-9232		->
153	KEY,IMPELLER		C16JA010-9212		->
154	O-RING	(2)	C16JA010-8262	(2)	->
155A	PUMP,SOL. SPRAY (208V-60HZ) (EBARA)		A16JH021-168X1		A16JH018-120X1
155B	PUMP,SOL. SPRAY (460V-60HZ) (EBARA)		A16JH021-162X1		A16JH018-144X1
155C	PUMP,SOL. SPRAY (480V-60HZ) (EBARA)		A16JH021-160X1		A16JH018-150X1
156	BEARING,RADIAL	(2)	C16JA010-8222	(2)	->
157	BEARING,THRUST	(2)	C16JA010-8212	(2)	->
158	COLLAR,THRUST	(2)	C16JA018-8242	(2)	->
159	WEAR RING,PUMP CASING		C16JA010-8232		->
160	WEAR RING,MOTOR SIDE		C16JA012-8232		->
161	GASKET,CASING SIDE		C16JA014-8532		->
162	GASKET,END COVER SIDE		C16JA010-9242		->
163	LOCK NUT,IMPELLER		C16JA010-9222		->
164	WASHER,IMPELLER		C16JA010-9232		->
165	KEY,IMPELLER		C16JA010-9212		->
166	O-RING	(2)	C16JA010-8262	(2)	->
167	VACUUM PUMP (10.6 CFM)(230/460-3-60)		16JT8248301		->
168	VACUUM PUMP (10.6 CFM)(575-3-60)		16JT8248302		->
170	VACUUM PUMP (.9 CFM)(230/460-3-60)		16JT8248305		->
171	VACUUM PUMP (.9 CFM)(575-3-60)		16JT8248306		->
172	VACUUM PUMP (.9 CFM)(380-3-60)		16JT8248307		->
173	FITTING,BARBED (3/4 NPT X 1/2 I.D.)		16JT8577314		->
174	TUBING,VACUUM 5'LONG (CUT TO SUIT)		16JT8577334		->
175	CLAMP	(2)	KA69JM828	(2)	->
<b>MECHANICAL CONTROLS GROUP</b>					
176	SWITCH,LOW TEMP. (CHILLED WATER)		16JT8106656		->
177	SWITCH,HIGH TEMP. (HIGH TEMP. GEN.)		11B06-46		->
178	SWITCH,HIGH PRESS. (HIGH TEMP. GEN.)		16DF04090070		->
179	SWITCH,TEMP. (SPRAY LINE)		11B06-46		->
180	PROBE,LEVEL (HI-TEMP. GEN.)		16JT660001		->

PARTS LIST CATALOG

PARTS LIST PAGE: 028

CATALOG NO.: RCD-3516-004 REV. A  
SUPERSEDES : RCD-3516-004 REV.

NOTE: SEE "CATALOG NOTES" ON LAST PAGE FOR EXPLANATION OF SYMBOLISM.



DOUBLE EFFECT HERMETIC  
LIQUID ABSORPTION  
CHILLER

16JT

SIZE: 080 150  
SERIES: CMX/EBARA

ITM	PART DESCRIPTION	16JT 150		16JT 150L	
		ALL VOLTAGES		ALL VOLTAGES	
<b>MECHANICAL CONTROLS GROUP</b>					
181	SWITCH, REED (12")		16JT8101090		->
182	SWITCH, REED (18")		16JT8321090		->
183	SWITCH, REED (20")		16JT8571090		->
184	SWITCH, REED (22")		16JT8801090		->
185 N	RTD, PT100 OHMS (EBARA)		CSP-M06591		->
186 N	THERMOSTAT, SOL. HI-TEMP (EBARA)		C01PP-57491		->
187 N	THERMOSTAT, CHW. LO-TEMP (EBARA)		CSP-M07431		->
188 N	THERMOSTAT, CYCLE GUARD (EBARA)		C01PP-58612		->
189 N	THERMISTOR 3" (EBARA)		HH79N2070		->
190 N	THERMISTOR 8" (EBARA)		HH79N2071		->
191 N	VACCUUM SWITCH (EBARA)		C01PP-63401		->
192A	CONTROL BOX ASY (208/230-3-60)		16JT810703		->
192B	CONTROL BOX ASY (460-3-60)		16JT810706		->
193	LEVEL CONTROL (WARRICK)		16JT680033		->
194	DISC. SWITCH (100A)(TELEMECANIQUE)		D10S3		->
195	FUSE KIT (30A) (TELEMECANIQUE)		D12E62		->
196	FUSE KIT (60A) (TELEMECANIQUE)		D12F63		->
197	CONTACTOR (PUMPS) (CUTLER-HAMMER)	(5)	C25DND325A	(5)	->
198	OVERLOAD DEVICE (PUMPS) (FURNAS)	(5)	48DC38AA45Z	(5)	->
199	CAPACITY CONTROLLER (HONEYWELL)		DC300K000321B0000		->
200	TRANSFORMER (HEVI-DUTY)		E550N		->
201	TRANSDUCER (TRIAD TECHNOLOGY)		UC-3800-4-4-0		->
202	AC/DC SONALERT (MALLORY/SONALERT)		SC-110-P		->
203	ELAPSED TIME METER (CARRIER-RCD)		19EA660035		->
204	"V" LAMP (SYLVANIA)	(8)	6S6 145V	(8)	->
205	2-POS. SELECT. SW. (ALLEN-BRADLEY)	(2)	800T-H2A	(2)	->
206	ON DELAY TIMER (ATC)	(5)	339A200Q2X	(5)	->
207	RELAY, PLUG-IN (POTTER & BRUMFIELD)	(21)	16JT8101109	(21)	->
208	INDICATOR LIGHT BODY (DIALCO)	(8)	103-3101-05-4	(8)	->
209	RED LENS (DIALCO)	(4)	103-1211-403	(4)	->
210	GREEN LENS (DIALCO)	(2)	103-1212-403	(2)	->
211	AMBER LENS (DIALCO)		103-1213-403		->
212	WHITE LENS (DIALCO)		103-1235-403		->
213	HANDLE, DISCONNECT (TELEMECANIQUE)		D11SF10		->
214	RELAY SOCKETS(3POLE)(CUSTOM CONN.)	(21)	SL711	(21)	->
215	RELAY SOCKETS(2POLE)(CUSTOM CONN.)	(5)	SL608	(5)	->
216	REMOTE TEMP. DETECTOR (PYROMATION)		R1T185L48093-SL-601		->
217	THERMOWELL (PYROMATION)		1/2"-2601-U4-1/2-316		->
218	START BUTTON (GREEN)	(2)	16JT8101107	(2)	->
219	STOP BUTTON (RED)	(2)	16JT8121107	(2)	->
220	ALARM STOP-BUTTON (ALLEN-BRADLEY)		800T-A2D1		->
221	TERMINAL BLOCK (ALLEN-BRADLEY)		1492-CA2		->
<b>PIC CONTROLS GROUP</b>					
222	SWITCH, LOW TEMP. (CHILLED WATER)		16JT8106656		->
223	SWITCH, HIGH TEMP. (HIGH TEMP. GEN.)		11B06-46		->
224	SWITCH, HIGH PRESS. (HIGH TEMP. GEN.)		16DF04090070		->
225	SWITCH, COOLING WATER DIF.		HK06ZC003		->
226	PROBE, LEVEL (HIGH TEMP. GEN.)		16JT660001		->
227	THERMISTOR (5K)	(13)	HH79N2047	(13)	->
228	THERMISTOR (100K)	(5)	HH79N2070	(5)	->
229	CABLE ASY, TEMPERATURE SENSOR		HH79N2072		->
230	TRANSDUCER, LOW PRESSURE		HK05YZ004		->
231	TRANSDUCER, HIGH PRESSURE	(2)	HK05YZ002	(2)	->
232	CABLE ASY, HIGH/LOW PRESSURE		16JT810798		->

PARTS LIST CATALOG

PARTS LIST PAGE: 029

CATALOG NO. : RCD-3516-004 REV. A  
SUPERSEDES : RCD-3516-004 REV.

NOTE: SEE "CATALOG NOTES" ON LAST PAGE FOR EXPLANATION OF SYMBOLISM.



DOUBLE EFFECT HERMETIC  
LIQUID ABSORPTION  
CHILLER

16JT

SIZE: 080 150  
SERIES: CMX/EBARA

ITM	PART DESCRIPTION	16JT 150	16JT 150L		
		ALL VOLTAGES	ALL VOLTAGES		
<b>PIC CONTROLS GROUP</b>					
233	FLOAT SWITCH,ANALOG (12")	16JT810788	->		
234	FLOAT SWITCH,ANALOG (18")	16JT810789	->		
235	FLOAT SWITCH,ANALOG (20")	16JT810790	->		
236	FLOAT SWITCH,DISCRETE	(3) 16JT832424	(3) ->		
237	SWITCH,REED (12")	16JT8101090	->		
238	SWITCH,REED (18")	16JT8321090	->		
239	SWITCH,REED (20")	16JT8571090	->		
240	SWITCH,REED (22")	16JT8801090	->		
241 N	16JT PIC CONTROL PANEL DWG(REF.ONLY)	16JT810763	->		
242	LID 2B	CES0130036	->		
243	PSIO II	CEP110189-02	->		
244	CONTROLLER,PIC MODULE (FID)	16JT810720	->		
245	TRANSFORMER (575/460/230 TO 110)(T	16JT8101101	->		
246	TRANSFORMER (110 TO 21)(TR1,TR2,TR	(3) HT01BD113	(3) ->		
247	TRANSFORMER (110 TO 24)(TR5)	HT01AW235	->		
248	TRANSFORMER (21 TO 5)(TR4)	HK35AA002	->		
249	CIRCUIT BREAKER	HH83ZB001	->		
250	RELAY BOARD,SIX PACK (RB1,RB2)	HK35AA001	->		
251A	RELAY (CR1 - CR7) (PSN WK#6 1997)	(7) 16JT8101109	(7) ->		
251B	RELAY (CR1 - CR7) (SSN WK#6 1997)	(7) 16JT8101102	(7) ->		
252	RELAY,HIGH LEVEL	16JT680033	->		
253	STARTER BLOCK(RP1,SP1,SP2,SSP1,VP1)	16JT8101103	->		
254A	FUSE (F1/SP1) (208/240-3-60)	(3) LPJ-50	(3) ->		
254B	FUSE (F1/SP1) (416/480-3-60)	(3) LPJ-25	(3) ->		
254C	FUSE (F1/SP1) (550/600-3-60)	(3) LPJ-20	(3) ->		
254D	FUSE (F1/SP1) (380-3-50)	(3) LPJ-25	(3) ->		
255A	FUSE (F2/SP2) (208/240-3-60)	(3) LPJ-50	(3) ->		
255B	FUSE (F2/SP2) (416/480-3-60)	(3) LPJ-25	(3) ->		
255C	FUSE (F2/SP2) (550/600-3-60)	(3) LPJ-20	(3) ->		
255D	FUSE (F2/SP2) (380-3-50)	(3) LPJ-25	(3) ->		
256A	FUSE (F3/RP1) (208/240-3-60)	(3) LPJ-35	(3) ->		
256B	FUSE (F3/RP1) (416/480-3-60)	(3) LPJ-20	(3) ->		
256C	FUSE (F3/RP1) (550/600-3-60)	(3) LPJ-15	(3) ->		
256D	FUSE (F3/RP1) (380-3-50)	(3) LPJ-20	(3) ->		
257A	FUSE (F4/SSP1) (208/240-3-60)	(3) LPJ-25	(3) ->		
257B	FUSE (F4/SSP1) (416/480-3-60)	(3) LPJ-10	(3) ->		
257C	FUSE (F4/SSP1) (550/600-3-60)	(3) LPJ-10	(3) ->		
257D	FUSE (F4/SSP1) (380-3-50)	(3) LPJ-10	(3) ->		
258A	FUSE (F5/VP1) (208/240-3-60)	(3) LPJ-3	(3) ->		
258B	FUSE (F5/VP1) (416/480-3-60)	(3) LPJ-2	(3) ->		
258C	FUSE (F5/VP1) (550/600-3-60)	(3) LPJ-2	(3) ->		
258D	FUSE (F5/VP1) (380-3-50)	(3) LPJ-2	(3) ->		
259A	FUSE (FB6) (208/240-3-60)	LPJ-5	->		
259B	FUSE (FB6) (416/480-3-60)	LPJ-5	->		
259C	FUSE (FB6) (550/600-3-60)	LPJ-5	->		
259D	FUSE (FB6) (380-3-50)	LPJ-5	->		
260	OVERLOAD RELAY	(5) HN68JX003	(5) ->		
261A	HEATER,OVERLOAD(OL1)(208/240-3-60)	(3) HN71JC069	(3) ->		
261B	HEATER,OVERLOAD(OL1)(416/480-3-60)	(3) HN71JC055	(3) ->		
261C	HEATER,OVERLOAD(OL1)(550/600-3-60)	(3) HN71JC052	(3) ->		
261D	HEATER,OVERLOAD(OL1)(380-3-50)	(3) HN71JC055	(3) ->		
262A	HEATER,OVERLOAD(OL2)(208/240-3-60)	(3) HN71JC069	(3) ->		
262B	HEATER,OVERLOAD(OL2)(416/480-3-60)	(3) HN71JC055	(3) ->		
262C	HEATER,OVERLOAD(OL2)(550/600-3-60)	(3) HN71JC052	(3) ->		

PARTS LIST CATALOG

PARTS LIST PAGE: 030

CATALOG NO.: RCD-3516-004 REV. A  
SUPERSEDES : RCD-3516-004 REV.

NOTE: SEE "CATALOG NOTES" ON LAST PAGE FOR EXPLANATION OF SYMBOLISM.



DOUBLE EFFECT HERMETIC  
LIQUID ABSORPTION  
CHILLER

16JT

SIZE: 080 150  
SERIES: CMX/EBARA

ITM	PART DESCRIPTION	16JT 150		16JT 150L	
		ALL VOLTAGES		ALL VOLTAGES	
<b>PIC CONTROLS GROUP</b>					
262D	HEATER,OVERLOAD(OL2)(380-3-50)	(3)	HN71JC055	(3)	->
263A	HEATER,OVERLOAD(OL3)(208/240-3-60)	(3)	HN71JC061	(3)	->
263B	HEATER,OVERLOAD(OL3)(416/480-3-60)	(3)	HN71JC050	(3)	->
263C	HEATER,OVERLOAD(OL3)(550/600-3-60)	(3)	HN71JC043	(3)	->
263D	HEATER,OVERLOAD(OL3)(380-3-50)	(3)	HN71JC050	(3)	->
264A	HEATER,OVERLOAD(OL4)(208/240-3-60)	(3)	HN71JC054	(3)	->
264B	HEATER,OVERLOAD(OL4)(416/480-3-60)	(3)	HN71JC041	(3)	->
264C	HEATER,OVERLOAD(OL4)(550/600-3-60)	(3)	HN71JC037	(3)	->
264D	HEATER,OVERLOAD(OL4)(380-3-50)	(3)	HN71JC041	(3)	->
265A	HEATER,OVERLOAD(OL5)(208/240-3-60)	(3)	HN71JC021	(3)	->
265B	HEATER,OVERLOAD(OL5)(416/480-3-60)	(3)	HN71JC021	(3)	->
265C	HEATER,OVERLOAD(OL5)(550/600-3-60)	(3)	HN71JC021	(3)	->
265D	HEATER,OVERLOAD(OL5)(380-3-50)	(3)	HN71JC021	(3)	->
266	DISCONNECT,100 AMP (MDC)		16JT8101105		->
267	SWITCH,SELECTOR (AUTO/MANUAL)		16JT8101106		->
268	PUSH-BUTTON,START (GREEN)		16JT8101107		->
269	PUSH-BUTTON,STOP (RED)		16JT8121107		->
270	INDICATOR LIGHT (WHITE)		16JT8121108		->
271	INDICATOR LIGHT (GREEN)	(3)	16JT8101108	(3)	->
272	COOLING FAN (DAYTON)		4C550/4C551/5C032		->
273	DOOR LATCH (EMKA, INC.)		1125-U206-01G		->
274	HANDLE,DISCONNECT (TELEMECANIQUE)		D115F4		->
275	TERM.BLOCK(TB2,TB3)(ALLEN BRADLEY)		1492-W4		->
276	TERM.BLOCK(TB1)(ALLEN BRADLEY)		1492-W6		->
277	MODULE (8 INPUT/OUTPUT)	(3)	HK50AA006	(3)	->
278	CONNECTOR (18 PIN)	(3)	HY84EE021	(3)	->
279	CONNECTOR (3 PIN)		HY84EE003		->
280	CONNECTOR (4 PIN)	(2)	HY84EE004	(2)	->
281	FUSE BLOCK (FB6) (MARATHON)		F30A15P		->
282	TERMINAL BLOCK (TERM) (MARATHON)		208		->
283	CONNECTOR (9 POS.) (AMP)	(2)	350763-4	(2)	->
284	CONNECTOR (6 POS.) (AMP)	(2)	350762-4	(2)	->
<b>MISCELLANEOUS GROUP</b>					
285 N	FLOW SWITCH,DIFF. PRESSURE(150 PSIG)		HK06ZC033		->
286 N	FLOW SWITCH,DIFF. PRESSURE(300 PSIG)		HK06ZC001		->
288 N	STEAM VALVE (1" ELECTRIC)		16JT05000801		->
289 N	STEAM VALVE (1" PNEUMATIC)		16JT05000101		->
290 N	STEAM VALVE (1-1/4" ELECTRIC)		16JT05000901		->
291 N	STEAM VALVE (1-1/4" PNEUMATIC)		16JT05000201		->
292 N	STEAM VALVE (1-1/2" ELECTRIC)		16JT05001001		->
293 N	STEAM VALVE (1-1/2" PNEUMATIC)		16JT05000301		->
294 N	STEAM VALVE (2" ELECTRIC)		16JT05001101		->
295 N	STEAM VALVE (2" PNEUMATIC)		16JT05000401		->
296 N	STEAM VALVE (2-1/2" ELECTRIC)		16JT05001201		->
297 N	STEAM VALVE (2-1/2" PNEUMATIC)		16JT05000501		->
298 N	STEAM VALVE (3" ELECTRIC)		16JT05001301		->
299 N	STEAM VALVE (3" PNEUMATIC)		16JT05000601		->
300 N	STEAM VALVE (4" ELECTRIC)		16JT05001401		->
301 N	STEAM VALVE (4" PNEUMATIC)		16JT05000701		->
302 N	LITH. BROMIDE(30 GAL)NON-INHIBITED		PS16CP030		->
303 N	LITH. BROMIDE(30 GAL)CHROMATE-INHIB.		PS25AL254		->
304 N	LITH. BROMIDE(15 GAL)NON-INHIBITED		PS20BL260		->
305 N	LITH. BROMIDE(15 GAL)CHROMATE-INHIB.		PS25AL251		->
306 N	LITH. HYDROXIDE (TO ADJUST ALKY)		16JB032003		->

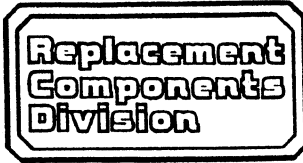
PARTS LIST CATALOG

PARTS LIST PAGE: 031

CATALOG NO. : RCD-3516-004 REV. A  
SUPERSEDES : RCD-3516-004 REV.

NOTE: SEE "CATALOG NOTES" ON LAST PAGE FOR EXPLANATION OF SYMBOLISM.





## ORDERING INSTRUCTION

1. All orders must include the complete model number and the serial number of the unit on which the parts are to be used, and the part number and description of each part.
2. Dealers should forward orders to their distributor.

## GENERAL NOTES

1. This catalog contains those items most commonly required for replacement purposes. If parts other than those cataloged are required, please provide the complete model number and serial number of the unit which the parts are to be used and a complete description including references to items which are cataloged.
2. Casing parts and panels are not normally stocked, but are available upon request. Requests for casing parts and panels for units no longer in production can be quoted through Customer Service, please contact your Customer Service Representative.
3. Complete "Accessory Packages" of "F.I.O.P.'s" (Factory-Installed Option Plan) are not normally stocked or supplied by the Replacement Components Division. (Refer to Master Price Pages and order from your normal source or finished goods.)

Accessory packages and F.I.O.P.'s are listed in this catalog only for reference and to assist in the selection and ordering of replacement components.

4. The replacement parts listed in this catalog are RCD "Factory-Authorized Parts" and, as a result of "standardization", may not be identical to the original part furnished on the equipment.

## CATALOG NOTES

1. The part number in the salespackage column indicates the part number required for that model, size, series, and/or voltage.
2. an arrow → in the salespackage column indicates that the model, size, series, and/or voltage uses the same part number as the number shown to the left.
3. An X in the salespackage column indicates that the part is not used on that model, size, series, and/or voltage.
4. A number in parenthesis before the part number indicates the quantity required for that model, size, and/or voltage. Part number only in the column indicates a quantity of one.
5. The notation "N" following the item number indicates that the item is not illustrated in the Graphic Catalog.

