



# HERMETIC ABSORPTION CHILLER

**16JA**  
010-068

## INDEX

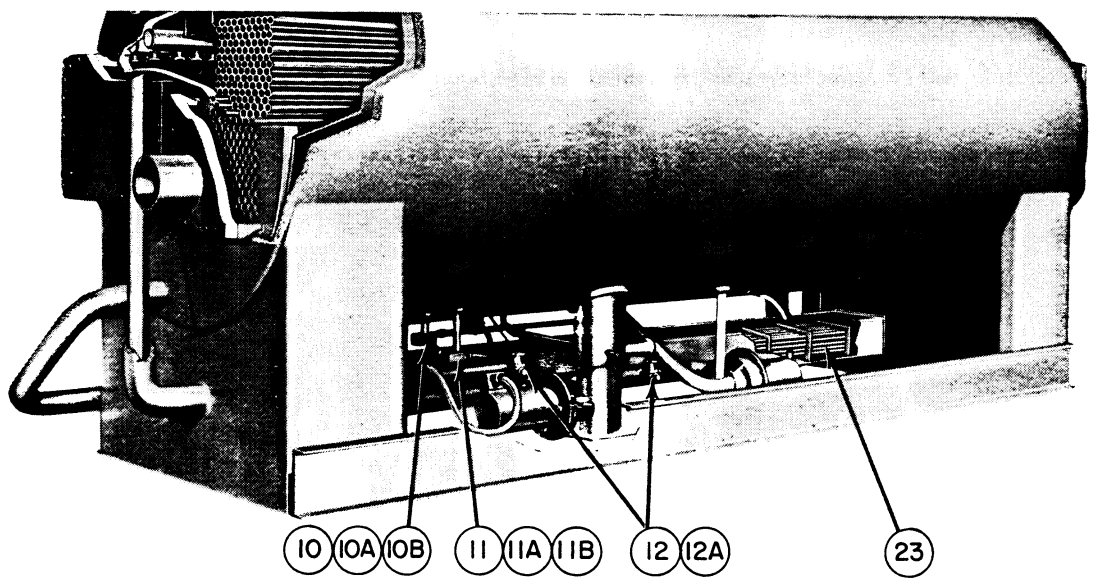
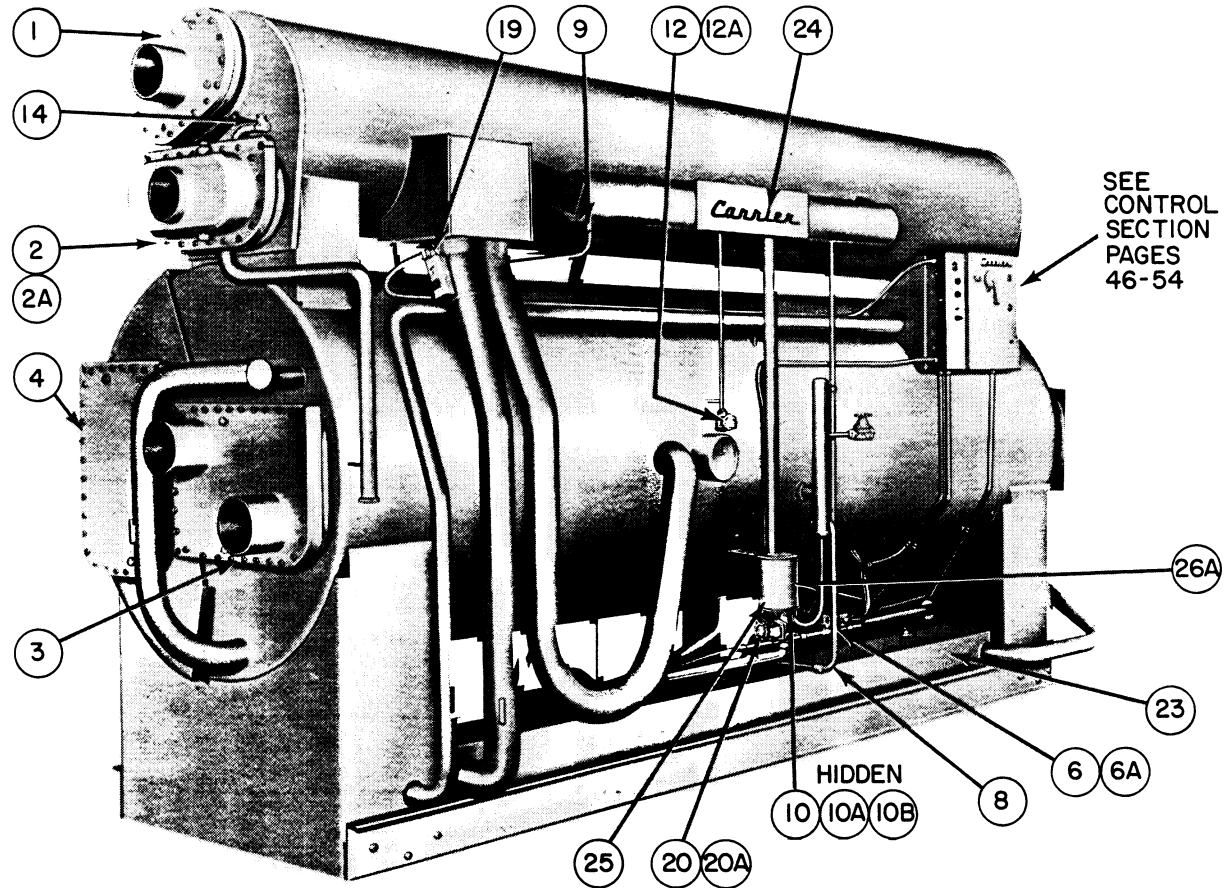
<u>TITLE</u>	<u>PAGE</u>
General Assembly .....	2 - 5
Refrigerant Pump .....	6 - 22
Solution Pump .....	23 - 37
Electronic Steam Valve (Cage) .....	38 - 46
Pneumatic Steam Valve (Cage) .....	47 - 51
Electronic Steam Valve (Butterfly) .....	52 - 53
Pneumatic Steam Valve (Butterfly) .....	54
Electronic Control Panel (Design 1) .....	55 - 56
Electronic Control Panel (Design 2) .....	57 - 58
Pneumatic Control Panel (Design 1) .....	59 - 60
Pneumatic Control Panel (Design 2) .....	61 - 62
Control Panel Contactors and Component Parts .....	63 - 64
Miscellaneous Parts .....	65



# HERMETIC ABSORPTION CHILLER

# 16JA

010-068



**Group A - General Assembly**



# HERMETIC ABSORPTION CHILLER

# 16JA

010-068

ITEM NO.	DESCRIPTION	LDC	PART NUMBER	QUANTITY USED ON 16JA															
				0	0	0	0	0	0	0	0	0	0	0	0	0	0	0	
				1	1	1	1	2	2	2	3	3	4	4	5	5	6	6	
GENERAL ASSEMBLY																			
1	Gasket, Cond'r Water Box		16JA-010--1044-- 16JA-018--1044-- 16JA-024--1044-- 16JA-041--1044-- 16JA-050--1044--	2	2	2													
2	Gasket, (Steam) Generator Water Box		16JA-010--1034-- 16JA-018--1034-- 16JA-024--1034-- 16JA-032--1034-- 16JA-041--1034-- 16JA-050--1034--	2	2	2													
2A	Gasket, (Hot Water) Generator Water Box		16JA-010--1184-- 16JA-018--1184-- 16JA-024--1184-- 16JA-032--1184-- 16JA-041--1184-- 16JA-050--1184--	2	2	2													
3	Gasket, Absorber Water Box		16JA-010--1174-- 16JA-018--1174-- 16JA-024--1174-- 16JA-032--1174-- 16JA-041--1174-- 16JA-050--1404-- 16JA-061--1404--	2	2	2													
4	Gasket Evaporator Water Box		16JA-010--1174-- 16JA-018--1174-- 16JA-024--1174-- 16JA-032--1174-- 16JA-041--1174-- 16JA-050--1174-- 16JA-061--1174--	2	2	2													
NI/5	Gasket, 1/2" Division Plate 3/16"		--QR--02SR-019-- 16JB-680--043-- --QR--02SR-120--																
6	Valve Sol Ref. Includes:		--EF--13CQ-181--	1	1	1	1	1	1	1	1	1	1	1	1	1	1		
6A	Coil Sol (1)		--EF--19CQ-100--																
NI/7	Kit Repair Coil		16JA-010---034--	1	1	1	1	1	1	1	1	1	1	1	1	1	1		
8	Indicator, Level Ass'y		16JA-010---163--	1	1	1	1	1	1	1	1	1	1	1	1	1	1		
9	Strainer, (for 1/2" pipe)		16JA-010---111--	2	2	2	2	2	2	2	2	2	2	2	2	2	2		
10	SW Float High Level Purge Level & Phase I Controls-Dilution Level (16 1/8" Long)		16JA-010---794-1	3	3	3	3	3	3	3	3	3	3	3	3	3	3		



# HERMETIC ABSORPTION CHILLER

# 16JA

010-068

ITEM NO.	DESCRIPTION	LDC	PART NUMBER	QUANTITY USED ON 16JA															
				0	0	0	0	0	0	0	0	0	0	0	0	0	0	0	
				1	1	1	1	2	2	2	3	3	4	4	5	5	6	6	
10A	Sw Float, Ass'y (For Item #10)		16JA-010---403--	1	1	1	1	1	1	1	1	1	1	1	1	1	1	1	
10B	Includes: Float (1)		16JB-010---332--																
11	Sw Float,-Phase #2 Controls Low Level (10 1/8" Long)		16JA-010---994--	1	1	1	1	1	1	1	1	1	1	1	1	1	1		
11A	Sw Float, Assy (For Item #11)		16JA-050---403--	1	1	1	1	1	1	1	1	1	1	1	1	1	1		
11B	Includes: Float (1)		16JB-010---332--																
12	Valve Flange, Diaphragm 1/2"		--EF--71CA-181--	4	4	4	4	4	4	4	4	4	4	4	5	5	5		
12A	Includes: Diaphragm (1)		--EF--79ZA-181--																
NI/13	Adapter, (For Item #12A)		--EM--99AA-522--																
14	Valve Check, (Steam 3/8")		--EC--37CZ-421--	1	1	1	1	1	1	1	1	1	1	1	1	1	1		
NI/15	Ring O, (Generator Division Plate)		--KK--71EM-010--	2	2	2	3	4	4	5	6	6	7	9	1	1	1		
				0	4	6	6	0	6	4	2	8	8	0	0	1	2		
															6	4	2		
NI/16	Plate, Retainer		16JA-010---2523-- 16JA-018---2523-- 16JA-024---2523-- 16JA-032---2523-- 16JA-041---2523-- 16JA-050---1573--	1	1	1													
							1	1		1	1								
									1	1									
											1	1							
													1	1					
NI/17	Gasket, Retainer Plate		16JB-010---1523-- 16JB-018---1523-- 16JB-024---1523-- 16JB-032---1523-- 16JB-041---1523-- 16JB-054---1523--	1	1	1													
							1	1											
									1	1									
											1	1							
													1	1					
NI/18	Screws (For Items #16 : #17)		--AK--92AB-170--	6	6	6	1	1	1	1	1	1	1	1	1	1	1		
							0	0	0	0	4	4	4	4	0	0	0		
19	Thermostat Dilution		--HH--19PB-100--	1	1	1	1	1	1	1	1	1	1	1	1	1	1		
20	Valve Flange Diaphragm 1" Includes:		--EF--71ZM-006--	1	1	1	1	1	1	1	1	1	1	1	1	1	1		
20A	Diaphragm (1)		--EF--79ZM-006--																
NI/20B	*Adapter 1" (1)		--EM--99ZZ-300--																
NI/21	Nozzle, Evap. Spray		16JA-010---312--	3	3	3	3	3	3	3	4	4	4	4	8	8	8		
				2	2	2	2	2	2	2	0	0	0	0	9	9	9		

**NOTE:**

Item 13 not included with item 12A. If needed must be ordered separately.  
 \*Used with EF79ZM-006 Diaphragm.





# HERMETIC ABSORPTION CHILLER

**16JA**  
010-068

## IMPORTANT

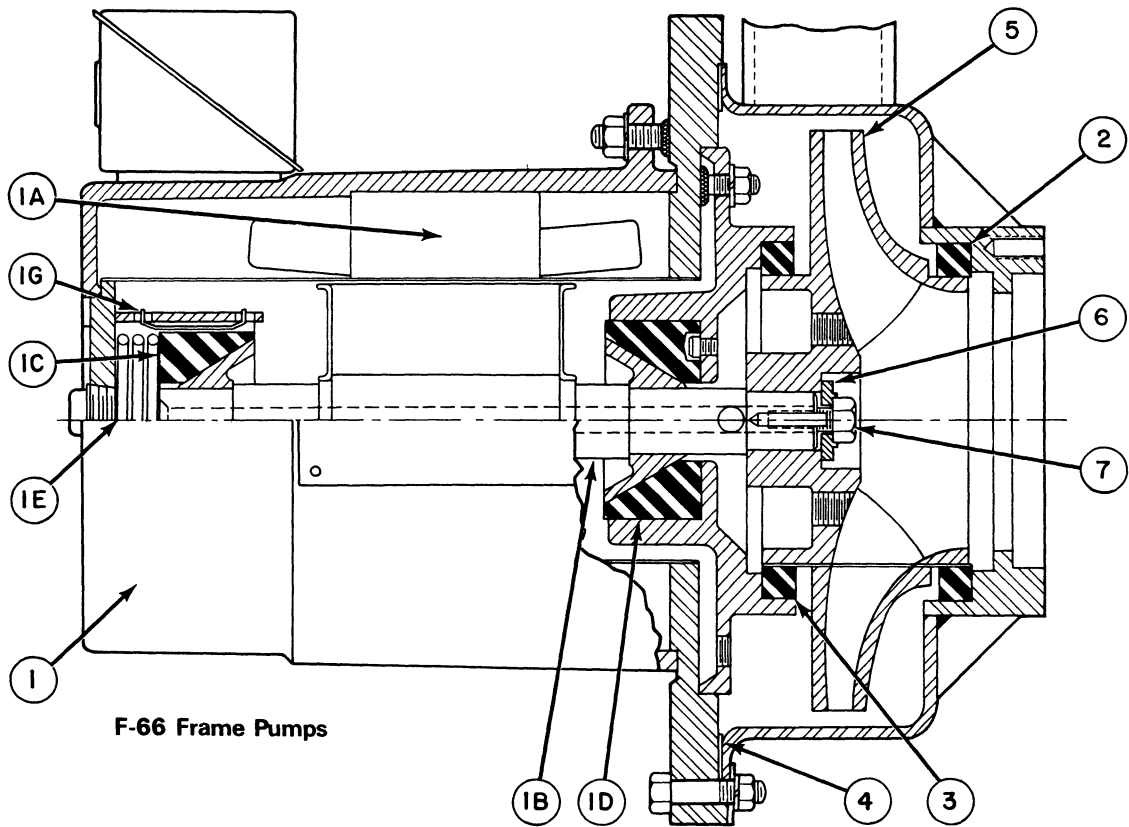
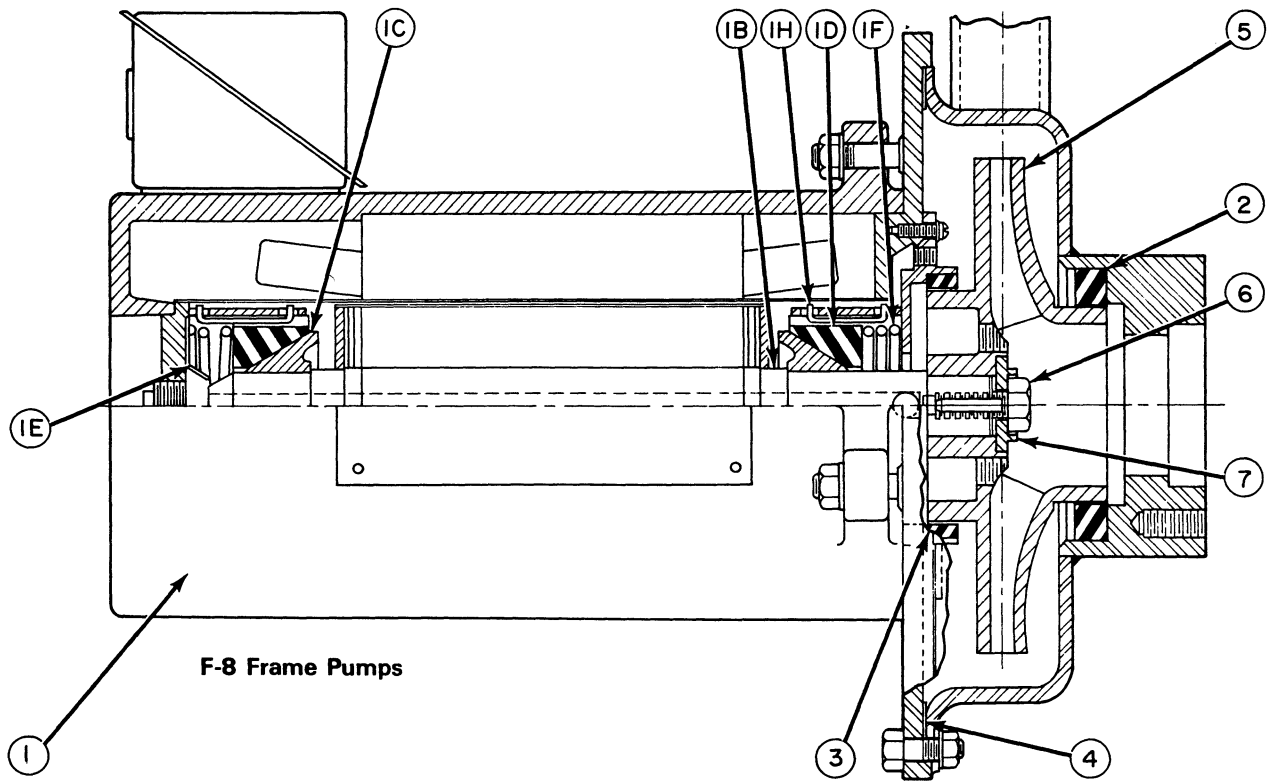
READ THIS SHEET BEFORE ORDERING  
REPLACEMENT REFRIGERANT & SOLUTION  
PUMPS, MOTORS, AND RELATED PARTS

Frame 66 Refrigerant and Solution Pump motors have been redesigned and are now stamped-type casings (as opposed to the original cast-type casings) which are fully adaptable to the existing pump casing and impeller assemblies.

Incorporated in the design change of the fabricated motors are such items as a stamped motor shell casing and a stamped combination motor side wear ring and bearing holder. Also, included in the design change is a change in the stator-rotor configuration, the conical bearing and a new motor side wear ring necessary to adapt the new style motor to the existing pump impeller and housing assembly (on Frame 66 assemblies only.)

Upon ordering a complete replacement motor (Frame 66) from Service Parts, it is not necessary to order separately the motor side wear ring, as the motor part number includes it as one package. As a result of the stator redesign, motor rotors are not electrically interchangeable between old and new style motor stators. Motor bearings must be the "tri-grooved face" type for use in the new motors. The old style non-grooved bearings will fit the new motors, but are unacceptable for new motor applications and must not be used. The motor stator windings (core) is no longer removable from the shell casing; therefore, in the event of a stator burnout, it must be replaced with a complete stator winding and stamped casing.

Always check Pump and Motor nameplates before ordering pump, motor, or piece parts.



### Group B - Refrigerant Pumps



# HERMETIC ABSORPTION CHILLER

# 16JA

010-068

IMPORTANT: READ PAGE 7 BEFORE ORDERING PARTS FROM THIS PAGE

## REFRIGERANT PUMPS

208/240V-416/480V-60 HZ

MACHINE SIZE		16JA010-036					
VOLTAGE FRAME SIZE HERTZ		208/240-416/480					
		F-8 60		F-66 60			
ITEM NO.	PUMP ASS'Y NUMBER	LDC	DESIGN #1 16JA-010---164--	LDC	DESIGN #2 16JA-010--1554--	LDC	DESIGN #3 16JB-010---168
1	Motor Includes:	AC	16JA-010---004--	AC	16JB-010---014--	AC	16JB-660---014--
1A	Stator	NS	16JA-010---005--	AC	16JA-010---023--	NS	16JB-660---006--
1B	Rotor	AC	16JA-010---006--	NS	16JA-010---025--	NS	16JB-680---004--
1C	Bearing	AC	16JB-680---010--	AC	16JB-680---009--	AC	16JB-680---006--
1D	Bearing	AC	16JB-680---010--	AC	16JB-680---009--	AC	16JB-680---006--
1E	Spring	AC	--KT--59ZP-010--	AC	--KT--59ZP-010--	AC	--KT--59ZP-010--
1F	Spring	AC	--KT--59ZP-001--		NONE		NONE
1G	Clip	AC	--KT--59ZP-011--	AC	--KT--59ZP-020--		NONE
1H	Clip	AC	--KT--59ZP-011--		NONE		NONE
2	Ring, Casing Wearing	AC	--KK--09XC-015--	AC	--KK--09XC-042--	AC	--KK--09XC-042--
3	Ring, Casing Motor	AC	--KK--09XD-010--	AC	--KK--09XC-042--	AC	--KK--09XD-018--*
4	Gasket	AC	16JA-010---003--	AC	16JA-010---002--	AC	16JA-010---002--
5	Impeller	AC	--KK--75XA-531--	AC	--KK--75XA-539--	AC	--KK--75XA-533--
6	Washer, Impeller	AC	--KT--59ZP-021--	AC	--KT--59ZP-021--	AC	--KT--59ZP-021--
7	Screw, Impeller	AC	--KT--59ZP-031--	AC	--KT--59ZP-031--	AC	--KT--59ZP-031--

NOTE: Before ordering replacement Pump parts, refer to the Pump Nameplate to determine whether the machine has a Design 1, 2 or 3 pump.

Design I - Pump Assembly not available, motor and parts are available.

Design II- Pump and Motor not available, order Design 3 Pump or Motor.

Design III-Do not order complete Pump Assembly unless Pump Impeller casing is also required.

\*Included with Item #1



# HERMETIC ABSORPTION CHILLER

# 16JA

010-068

IMPORTANT: READ PAGE 7 BEFORE ORDERING PARTS FROM THIS PAGE

## REFRIGERANT PUMPS

208/240 V - 416/480 V - 60 HZ

MACHINE SIZE		16JA041-047			
VOLTAGE FRAME SIZE HERTZ		208/240V - 416/480 F-66 60			
ITEM NO.	PUMP ASS'Y NUMBER	LDC	DESIGN #2 16JA-032---174--	LDC	DESIGN #3 16JB-032---178--
1	Motor Includes:	AC	16JB-660---015--	AC	16JB-660---015--
1A	Stator	AC	16JA-032---002--	AC	16JB-660---008--
1B	Rotor	AC	16JA-032---003--	AC	16JB-680---005--
1C	Bearing	AC	16JB-680---009--	AC	16JB-680---006--
1D	Bearing	AC	16JB-680---009--	AC	16JB-680---006--
1E	Spring	AC	--KT--59ZP-010--	AC	--KT--59ZP-010--
1F	Spring		NONE		NONE
1G	Clip	AC	--KT--59ZP-020--		NONE
1H	Clip		NONE		NONE
2	Ring, Casing Wearing	AC	--KK--09XD-015--	AC	--KK--09XD-015--
3	Ring, Motor Wearing	AC	--KK--09XD-015--	AC	--KK--09XD-020--*
4	Gasket	AC	16JA-010---002--	AC	16JA-010---002--
5	Impeller	AC	--KK--75XA-533--	AC	--KK--75XA-533--
6	Washer, Impeller	AC	--KT--59ZP-021--	AC	--KT--59ZP-021--
7	Screw, Impeller	AC	--KT--59ZP-031--	AC	--KT--59ZP-031--

NOTE: Before ordering Replacement Pump Parts, refer to the Pump Nameplate to determine whether the machine has a Design 1, 2, or 3 Pump.

Design I - Pump Assembly not available, motor and parts are available.

Design II - Pump and Motor not available, order Design 3 Pump or Motor.

Design III- Do not order complete Pump Assembly unless Pump Impeller casing is also required.

\*Included with Item #1.



# HERMETIC ABSORPTION CHILLER

# 16JA

010-068

IMPORTANT: READ PAGE 7 BEFORE ORDERING PARTS FROM THIS PAGE.

## REFRIGERANT PUMPS

208/240 - 416/480 VOLT - 60 HERTZ

MACHINE SIZE		16JA054-068			
VOLTAGE FRAME SIZE HERTZ		208/240-416/480 F-66 60			
ITEM NO.	PUMP ASSEMBLY NUMBER	LDC	DESIGN #2 16JA-050---164--	LDC	DESIGN #3 16JA-054---168--
1	Motor Includes:	AC	16JB-660---015--	AC	16JB-660---015--
1A	Stator	AC	16JA-032---002--	NS	16JB-660---008--
1B	Rotor	AC	16JA-032---003--	AC	16JB-680---005--
1C	Bearing	AC	16JB-680---009--	AC	16JB-680---006--
1D	Bearing	AC	16JB-680---009--	AC	16JB-680---006--
1E	Spring	AC	--KT--59ZP-010--	AC	--KT--59ZP-010--
1G	CLIP	AC	--KT--59ZP-020--	AC	NONE
2	Ring, Casing Wearing	AC	--KK--09XD-015--	AC	--KK--09XD-015--
3	Ring, Motor Wearing	AC	--KK--09XD-015--	AC	--KK--09XD-020--*
4	Gasket	AC	16JA-010---002--	AC	16JA-010---022--
5	Impeller	AC	--KK--75XA-535--	AC	--KK--75XA-535--
6	Washer, Impeller	AC	--KT--59ZP-021--	AC	--KT--59ZP-021--
7	Screw, Impeller	AC	--KT--59ZP-031--	AC	--KT--59ZP-031--

NOTE: Before ordering replacement pump parts, refer to the pump nameplate to determine whether the machine has a Design 2 or 3 pump.

Design 2 - Pump and motor not available, order Design 3 pump or motor.

Design 3 - Do not order complete pump assembly unless pump impeller casing is also required.

\*Included with item #1



# HERMETIC ABSORPTION CHILLER

**16JA**  
010-068

IMPORTANT: READ PAGE 7 BEFORE ORDERING PARTS FROM THIS PAGE.

REFRIGERANT PUMPS  
550/575 V - 60 HERTZ

MACHINE SIZE		16JA010-036					
VOLTAGE FRAME HERTZ		550/575					
		F-8 60			F-66 60		
ITEM NO.	PUMP ASS'Y NUMBER	LDC	DESIGN #1 16JA-010---164-2	LDC	DESIGN #2 16JA-010-- 1554-2	LDC	DESIGN #3 16JB-010---168-1
1	Motor Includes:	NS	16JA-010---010--	NS	16JA-010---027--	NS	16JB-660---002--
1A	Stator	NS	16JA-010---011--	NS	16JA-010---024--	NS	16JB-660---007--
1B	Rotor	AC	16JA-010---006--	NS	16JA-010---025--	NS	16JB-680---004--
1C	Bearing	AC	16JB-680---010--	AC	16JB-680---009--	AC	16JB-680---006--
1D	Bearing	AC	16JB-680---010--	AC	16JB-680---009--	AC	16JB-680---006--
1E	Spring	AC	--KT--59ZP-001--	AC	--KT--59ZP-010--	AC	--KT--59ZP-010--
1F	Spring	AC	--KT--59ZP-001--		NONE		NONE
1G	Clip	AC	--KT--59ZP-011--	AC	--KT--59ZP-020--		NONE
1H	Clip	AC	--KT--59ZP-011--		NONE		NONE
2	Ring, Casing Wearing	AC	--KK--09XC-015--	AC	--KK--09XC-042--	AC	--KK--09XC-042--
3	Ring, Motor Wearing	AC	--KK--09XD-010--	AC	--KK--09XC-042--	AC	--KK--09XD-018--*
4	Gasket	AC	16JA-010---003--	AC	16JA-010---002--	AC	16JA-010---002--
5	Impeller	AC	--KK--75XA-531--	AC	--KK--75XA-539--	AC	--KK--75XA-539--
6	Washer, Impeller	AC	--KT--59ZP-021--	AC	--KT--59ZP-021--	AC	--KT--59ZP-021--
7	Screw, Impeller	AC	--KT--59ZP-031--	AC	--KT--59ZP-031--	AC	--KT--59ZP-031--

NOTE: Before ordering Replacement Pump Parts, refer to the Pump Nameplate to determine whether the machine has a Design 1, 2, or 3 Pump.

Design I - Pump Assembly not available, motor and parts are available.

Design II - Pump and Motor not available, order Design 3 Pump or Motor.

Design III- Do not order complete Pump Assembly unless Pump Impeller casing is also required.

\*Included with Item #1.



# HERMETIC ABSORPTION CHILLER

# 16JA

010-068

IMPORTANT: READ PAGE 7 BEFORE ORDERING PARTS FROM THIS PAGE

## REFRIGERANT PUMPS

550/575 VOLT - 60

MACHINE SIZE		16JA041-047			
VOLTAGE FRAME HERTZ		550/575 F-66 60			
ITEM NO.	PUMP ASS'Y NUMBER	LDC	DESIGN #2 16JA-032---174-2	LDC	DESIGN #3 16JB-032---178-1
1	Motor Includes:	NS	16JA-032---004--	NS	16JB-660---004--
1A	Stator	NS	16JA-032---005--	NS	16JB-660---009--
1B	Rotor	AC	16JA-032---003--	AC	16JB-680---005--
1C	Bearing	AC	16JB-680---009--	AC	16JB-680---006--
1D	Bearing	AC	16JB-680---009--	AC	16JB-680---006--
1E	Spring	AC	--KT--59ZP-010--	AC	--KT--59ZP-010--
1F	Spring		NONE		NONE
1G	Clip	AC	--KT--59ZP-020--		NONE
1H	Clip		NONE		NONE
2	Ring, Casing Wearing	AC	--KK--09XD-015--	AC	--KK--09XD-015--
3	Ring, Motor Wearing	AC	--KK--09XD-015--	AC	--KK--09XD-020--*
4	Gasket	AC	16JA-010---002--	AC	16JA-010---002--
5	Impeller	AC	--KK--75XA-533--	AC	--KK--75XA-533--
6	Washer, Impeller	AC	--KT--59ZP-021--	AC	--KT--59ZP-021--
7	Screw, Impeller	AC	--KT--59ZP-031--	AC	--KT--59ZP-031--

NOTE: Before ordering Replacement Pump Parts, refer to the Pump Nameplate to determine whether the machine has a design 1, 2 or 3 Pump.

Design I - Pump Assembly not available, Motor and Parts are available

Design II - Pump and Motor not available, order Design 3 Pump or Motor

Design III - Do not order complete Pump Assembly unless Pump Impeller casing is also required.

\*Included with Item #1



# HERMETIC ABSORPTION CHILLER

# 16JA

010-068

IMPORTANT: READ PAGE 7 BEFORE ORDERING PARTS FROM THIS PAGE

## REFRIGERANT PUMPS

550/575 Volt - 60 HERTZ

MACHINE SIZE		16JA054-068			
VOLTAGE FRAME SIZE HERTZ		550/575 F-66 60			
ITEM NO.	PUMP ASSEMBLY NUMBER	LDC	DESIGN #2 16JA-050---164-2	LDC	DESIGN #3 16JB-054---168-1
1	Motor Includes:	NS	16JA-032---004--	NS	16JB-660---004--
1A	Stator	NS	16JA-032---005--	NS	16JB-660---009--
1B	Rotor	AC	16JA-032---003--	AC	16JB-680---005--
1C	Bearing	AC	16JB-680---009--	AC	16JB-680---006--
1D	Bearing	AC	16JB-680---009--	AC	16JB-680---006--
1E	Spring	AC	--KT--59ZP-010--	AC	--KT--59ZP-010--
1G	Clip	AC	--KT--59ZP-020--	AC	NONE
2	Ring, Casing Wearing	AC	--KK--09XD-015--	AC	--KK--09XD-015--
3	Ring, Motor Wearing	AC	--KK--09XD-015--	AC	--KK--09XD-020-- *
4	Gasket	AC	16JA-010---002--	AC	16JA-010---002--
5	Impeller	AC	--KK--75XA-535--	AC	--KK--75XA-535--
6	Washer, Impeller	AC	--KT--59ZP-021--	AC	--KT--59ZP-021--
7	Screw, Impeller	AC	--KT--59ZP-031--	AC	--KT--59ZP-031--

NOTE: Before ordering Replacement Pump Parts, Refer to the Pump Nameplate to determine whether the machine has a Design 2 or 3 Pump

Design II - Pump and Motor not available, order design 3 Pump or Motor.

Design III - Do not order complete Pump Assembly unless Pump Impeller casing is also required.

\*Included with Item #1



# HERMETIC ABSORPTION CHILLER

# 16JA

010-068

IMPORTANT: READ PAGE 7 BEFORE ORDERING PARTS FROM THIS PAGE

REFRIGERANT PUMPS

600 VOLT - 60 HERTZ

MACHINE SIZE		16JA010-036					
VOLTAGE FRAME SIZE HERTZ		600 F-66 60					
ITEM	PUMP ASS'Y NUMBER	LDC	DESIGN #1 16JA-010---164-4	LDC	DESIGN #2 16JA-010--1554-4	LDC	DESIGN #3 16JB-010---168-3
1	Motor Includes:	NS	16JA-010---016--	NS	16JA-010---027--	NS	16JB-660---002--
1A	Stator	NS	16JA-010---017--	NS	16JA-010---024--	NS	16JB-660---007--
1B	Rotor	AC	16JA-010---006--	NS	16JA-010---025--	NS	16JB-680---004--
1C	Bearing	AC	16JB-680---010--	AC	16JB-680---009--	AC	16JB-680---006--
1D	Bearing	AC	16JB-680---010--	AC	16JB-680---009--	AC	16JB-680---006--
1E	Spring	AC	--KT--59ZP-001--	AC	--KT--59ZP-010--	AC	--KT--59ZP-010--
1F	Spring	AC	--KT--59ZP-001--		NONE		NONE
1G	Clip	AC	--KT--59ZP-011--	AC	--KT--59ZP-020--		NONE
1H	Clip	AC	--KT--59ZP-011--		NONE		NONE
2	Ring, Casing Wearing	AC	--KK--09XC-015--	AC	--KK--09XC-042--	AC	--KK--09XC-042--
3	Ring, Motor Wearing	AC	--KK--09XD-010--	AC	--KK--09XC-042--	AC	--KK--09XD-018--*
4	Gasket	AC	16JA-010---003--	AC	16JA-010---002--	AC	16JA-010---002--
5	Impeller	AC	--KK--75XA-531--	AC	--KK--75XA-539--	AC	--KK--75XA-539--
6	Washer, Impeller	AC	--KT--59ZP-021--	AC	--KT--59ZP-021--	AC	--KT--59ZP-021--
7	Screw, Impeller	AC	--KT--59ZP-031--	AC	--KT--59ZP-031--	AC	--KT--59ZP-031--

NOTE: Before ordering replacement pump parts refer to the pump nameplate to determine whether the machine has a Design I, II, or III pump.

Design I - Pump assembly not available, motor and parts are available.

Design II - Pump and motor not available, order Design III pump or motor.

Design III - Do not order complete pump assembly unless pump impeller casing is also required.

\*Includes with Item #1.



# HERMETIC ABSORPTION CHILLER

# 16JA

010-068

IMPORTANT: READ PAGE 7 BEFORE ORDERING PARTS FROM THIS PAGE

## REFRIGERANT PUMPS

208/240 - 416/480 EXPLOSION PROOF - 60 HERTZ

MACHINE SIZE		16JA010-036					
VOLTAGE FRAME SIZE HERTZ		208/240 - 416/480			EXPLOSION PROOF		
		F-8 60			F-66 60		
ITEM	PUMP ASS'Y. NUMBER	LDC	DESIGN #1 16JA-010---164-3	LDC	DESIGN #2 16JA-010--1554-3	LDC	DESIGN #3 16JA-010---168-2
1	Motor Includes:	NS	16JA-010---013--	NS	16JA-010---029--	NS	16JA-010---029--
1A	Stator	NS	16JA-010---014--	NS	16JA-010---028--	NS	16JA-010---028--
1B	Rotor	AC	16JA-010---006--	NS	16JA-010---025--	NS	16JA-010---025--
1C	Bearing	AC	16JB-680---010--	AC	16JB-680---009--	AC	16JB-680---009--
1D	Bearing	AC	16JB-680---010--	AC	16JB-680---009--	AC	16JB-680---009--
1E	Spring	AC	--KT--59ZP-001--	AC	--KT--59ZP-010--	AC	--KT--59ZP-010--
1F	Spring	AC	--KT--59ZP-001--		NONE		NONE
1G	Clip	AC	--KT--59ZP-011--	AC	--KT--59ZP-020--	AC	--KT--59ZP--020--
1H	Clip	AC	--KT--59ZP-011--		NONE		NONE
2	Ring, Casing Wearing	AC	--KK--09XC-015--	AC	--KK--09XC-042--	AC	--KK--09XC-042--
3	Ring, Motor Casing	AC	--KK--09XD-010--	AC	--KK--09XC-042--	AC	--KK--09XC-042--
4	Gasket	AC	16JA-010---003--	AC	16JA-010---002--	AC	16JA-010---002--
5	Impeller	AC	--KK--75XA-531--	AC	--KK--75XA-539--	AC	--KK--75XA-533--
6	Washer, Impeller	AC	--KT--59ZP-021--	AC	--KT--59ZP-021--	AC	--KT--59ZP-021--
7	Screw, Impeller	AC	--KT--59ZP-031--	AC	--KT--59ZP-031--	AC	--KT--59ZP-031--

NOTE: Before ordering replacement pump parts, refer to the pump nameplate to determine whether the machine has a Design 1, 2 or 3 pump.

Design 1 - Pump assembly not available, motor and parts are available.

Design 2 - Pump not available, order Design 3 pump.

Design 3 - Do not order complete pump assembly unless pump impeller casing is also required.



# HERMETIC ABSORPTION CHILLER

# 16JA

010-068

IMPORTANT: READ PAGE 7 BEFORE ORDERING PARTS FROM THIS PAGE

## SOLUTION PUMPS

190/208 - 380/416 VOLT - 50 HERTZ

MACHINE SIZE		16JA010-021					
VOLTAGE FRAME SIZE HERTZ		F-8 50		190/208 - 380/416		F-66 50	
ITEM	PUMP ASS'Y NUMBER	LDC	DESIGN #1 16JA-010---164-1	LDC	DESIGN #2 16JB-010--1564--	LDC	DESIGN #2 16JB-010---198--
1	Motor Includes:	AC	16JA-010---007--	AC	16JB-660---014--	AC	16JB-660---014--
1A	Stator	NS	16JA-010---008--	NS	16JA-010---023--	NS	16JB-660---006--
1B	Rotor	NS	16JA-010---009--	NS	16JA-010---025--	NS	16JB-680---004--
1C	Bearing	AC	16JB-680---010--	AC	16JB-680---009--	AC	16JB-680---006--
1D	Bearing	AC	16JB-680---010--	AC	16JB-680---009--	AC	16JB-680---006--
1E	Spring	AC	--KT--59ZP-001--	AC	--KT--59ZP-010--	AC	--KT--59ZP-010--
1F	Spring	AC	--KT--59ZP-001--		NONE		NONE
1G	Clip	AC	--KT--59ZP-011--	AC	--KT--59ZP-020--		NONE
1H	Clip	AC	--KT--59ZP-011--		NONE		NONE
2	Ring, Casing Wearing	AC	--KK--09XC-015--	AC	--KK--09XC-042--	AC	--KK--09XC-042--
3	Ring, Motor Wearing	AC	--KK--09XD-010--	AC	--KK--09XC-042--	AC	--KK--09XD-018--*
4	Gasket	AC	16JA-010---003--	AC	16JA-010---002--	AC	16JA-010---002--
5	Impeller	AC	--KK--75XA-530--	AC	--KK--75XA-541--	AC	--KK--75XA-541--
6	Washer, Impeller	AC	--KT--59ZP-021--	AC	--KT--59ZP-021--	AC	--KT--59ZP-021--
7	Screw, Impeller	AC	--KT--59ZP-031--	AC	--KT--59ZP-031--	AC	--KT--59ZP-031--

NOTE: Before ordering Replacement Pump Parts, refer to the Pump Nameplate to determine whether the machine has a Design 1, 2, or 3 Pump.

Design I - Pump Assembly not available, motor and parts are available.

Design II - Pump and motor not available, order Design III pump or motor.

Design .III - Do not order complete Pump Assembly unless Pump Impeller casing is also required.

\* Included with Item #1.



# HERMETIC ABSORPTION CHILLER

# 16JA

010-068

IMPORTANT: READ PAGE 7 BEFORE ORDERING PARTS FROM THIS PAGE

REFRIGERANT PUMPS

600 VOLT - 60 HERTZ

MACHINE SIZE VOLTAGE FRAME SIZE HERTZ		16JA041-047 600 F-66 60			
ITEM NO.	PUMP ASSEMBLY NUMBER	LDC	DESIGN #2 16JA-032---174-4	LDC	DESIGN #3 16JB-032---178-3
1	Motor Includes:	NS	16JA-032---010--	NS	16JB-660---005--
1A	Stator	NS	16JA-032---011--	NS	16JB-660---010--
1B	Rotor	AC	16JA-032---003--	AC	16JB-680---005--
1C	Bearing	AC	16JB-680---009--	AC	16JB-680---006--
1D	Bearing	AC	16JB-680---009--	AC	16JB-680---006--
1E	Spring	AC	--KT--59ZP-010--	AC	--KT--59ZP-010--
1F	Spring		NONE		NONE
1G	Clip	AC	--KT--59ZP-020--		NONE
1H	Clip		NONE		NONE
2	Ring, Casing Wearing	AC	--KK--09XD-015--	AC	--KK--09XD-015--
3	Ring, Motor Wearing	AC	--KK--09XD-015--	AC	--KK--09XD-020--*
4	Gasket	AC	16JA-010---002--	AC	16JA-010---002--
5	Impeller	AC	--KK--75XA-533--	AC	--KK--75XA-533--
6	Washer, Impeller	AC	--KT--59ZP-021--	AC	--KT--59ZP-021--
7	Screw, Impeller	AC	--KT--59ZP-031--	AC	--KT--59ZP-031--

NOTE: Before ordering Replacement Pump Parts, refer to the Pump Nameplate to determine whether the machine has a Design 1, 2, or 3 Pump.

Design I - Pump Assembly not available, Motor and Parts are available.

Design II - Pump and Motor not available, order Design 3 Pump or Motor.

Design III - Do not order complete Pump Assembly unless Pump Impeller casing is required.

\*Included with Item #1.



# HERMETIC ABSORPTION CHILLER

# 16JA

010-068

IMPORTANT: READ PAGE 7 BEFORE ORDERING PARTS FROM THIS PAGE

REFRIGERANT PUMPS

600 VOLT - 60 HERTZ

MACHINE SIZE VOLTAGE FRAME SIZE HERTZ		16JA054-068 600 F-66 60			
ITEM NO.	PUMP ASSEMBLY NUMBER	LDC	DESIGN #2 16JA-050---164-4	LDC	DESIGN #3 16JB-054---168-3
1.	Motor Includes:	NS	16JA-032---010--	NS	16JB-660---005--
1A	Stator	NS	16JA-032---011--	NS	16JB-660---010--
1B	Rotor	AC	16JA-032---003--	NS	16JB-680---005--
1C	Bearing	AC	16JB-680---009--	AC	16JB-680---006--
1D	Bearing	AC	16JB-680---009--	AC	16JB-680---006--
1E	Spring	AC	--KT--59ZP-010--	AC	--KT--59ZP-010--
1G	Clip	AC	--KT--59ZP-020--		NONE
2	Ring, Casing Wearing	AC	--KK--09XD-015--	AC	--KK--09XD-015--
3	Ring, Motor Wearing	AC	--KK--09XD-015--	AC	--KK--09XD-020--*
4	Gasket	AC	16JA-010---002--	AC	16JA-010---002--
5	Impeller	AC	--KK--75XA-535--	AC	--KK--75XA-535--
6	Washer, Impeller	AC	--KT--59ZP-021--	AC	--KT--59ZP-021--
7	Screw, Impeller	AC	--KT--59ZP-031--	AC	--KT--59ZP-031--

NOTE: Before ordering replacement pump parts, refer to the pump nameplate to determine whether the machine has a Design 2 or 3 pump.

Design 2 - Pump and motor not available, order Design 3 pump or motor.

Design 3 - Do not order complete pump assembly unless pump impeller casing is also required.

\*Included with Item #1.



# HERMETIC ABSORPTION CHILLER

# 16JA

010-068

IMPORTANT: READ PAGE 7 BEFORE ORDERING PARTS FROM THIS PAGE

## REFRIGERANT PUMPS

208/240 - 416/480 VOLT - 60 HERTZ

MACHINE SIZE VOLTAGE FRAME SIZE HERTZ		16JA054-068 208/240 - 416/480 Explosion Proof F - 66 60			
ITEM NO.	PUMP ASSEMBLY NUMBER	LDC	DESIGN #2 16JA-032---174-3	LDC	DESIGN #3 16JB-032---178-2
1	Motor Includes:	AC	16JA-032---007--	AC	16JA-032---007--
1A	Stator	NS	16JA-032---008--	NS	16JA-032---008--
1B	Rotor	AC	16JA-032---003--	AC	16JA-032---003--
1C	Bearing	AC	16JB-680---009--	AC	16JB-680---009--
1D	Bearing	AC	16JB-680---009--	AC	16JB-680---009--
1E	Spring	AC	--KT--59ZP-010--	AC	--KT--59ZP-010--
1F	Spring		NONE		NONE
1G	Clip	AC	--KT--59ZP-020--	AC	--KT--59ZP-020--
1H	Clip		NONE		NONE
2	Ring, Casing Wearing	AC	--KK--09XD-015--	AC	--KK--09XD-015--
3	Ring, Motor Wearing	AC	--KK--09XD-015--	AC	--KK--09XD-015--*
4	Gasket	AC	16JA-010---002--	AC	16JA-010---002--
5	Impeller	AC	--KK--75XA-533--	AC	--KK--75XA-533--
6	Washer, Impeller	AC	--KT--59ZP-021--	AC	--KT--59ZP-021--
7	Screw, Impeller	AC	--KT--59ZP-031--	AC	--KT--59ZP-031--

NOTE: Before ordering replacement pump parts, refer to the pump nameplate to determine whether the machine has a Design 2 or 3 pump.

Design 1 - Pump Assembly not available, motor and parts are available.  
 Design 2 - Pump and motor not available, order Design 3 pump or motor.  
 Design 3 - Do not order complete pump assembly unless pump impeller casing is also required.

\*Included with Item #1



# HERMETIC ABSORPTION CHILLER

# 16JA

010-068

IMPORTANT: READ PAGE 7 BEFORE ORDERING PARTS FROM THIS PAGE

## REFRIGERANT PUMPS

208/240 - 416/480 Explosion Proof - 60 Hertz

MACHINE SIZE VOLTAGE FRAME SIZE HERTZ		16JA054-068 208/240 - 416/480 Explosion Proof F-66 60			
ITEM NO.	PUMP ASSEMBLY NUMBER	LDC	DESIGN #2 16JA-050---164-3	LDC	DESIGN #3 16JB-054---168-2
1	Motor Includes:	AC	16JA-032---007--	NS	16JA-032---007--
1A	Stator	NS	16JA-032---008--	NS	16JA-032---008--
1B	Rotor	AC	16JA-032---003--	AC	16JA-032---003--
1C	Bearing	AC	16JB-680---009--	AC	16JB-680---009--
1D	Bearing	AC	16JB-680---009--	AC	16JB-680---009--
1E	Spring	AC	--KT--59ZP-010--	AC	--KT--59ZP-010--
1G	Clip	AC	--KT--59ZP-020--	AC	--KT--59ZP-020--
2	Ring, Casing Wearing	AC	--KK--09XD-015--	AC	--KK--09XD-015--
3	Ring, Motor Wearing	AC	--KK--09XD-015--*	AC	--KK--09XD-015--*
4	Gasket	AC	16JA-010---002--	AC	16JA-010---002--
5	Impeller	AC	--KK--75XA-535--	AC	--KK--75XA-535--
6	Washer, Impeller	AC	--KK--59ZP-021--	AC	--KK--59ZP-021--
7	Screw, Impeller	AC	--KK--59ZP-031--	AC	--KK--59ZP-031--

NOTE: Before ordering replacement pump parts, refer to the pump nameplate to determine whether the machine has a Design 2 or 3 pump.

Design 2 - Pump not available, order Design 3 pump.

Design 3 - Do not order complete pump assembly unless pump impeller casing is also required.

\*Included with item #1.



# HERMETIC ABSORPTION CHILLER

# 16JA

010-068

IMPORTANT: READ PAGE 7 BEFORE ORDERING PARTS FROM THIS PAGE

## REFRIGERANT PUMPS

190/208 - 380/416 Volt - 50 Hertz

MACHINE SIZE VOLTAGE FRAME SIZE HERTZ		16JA010-047 190/208 - 308/416 F-66 50			
ITEM NO.	PUMP ASS'Y NUMBER	LDC	DESIGN #2 16JB-032-- 1564--	LDC	DESIGN #3 16JB-032---198--
1	Motor Includes:	AC	16JB-660---015--	AC	16JB-660---015--
1A	Stator	AC	16JA-032---002--	NS	16JB-660---008--
1B	Rotor	AC	16JA-032---003--	AC	16JB-680---005--
1C	Bearing	AC	16JB-680---007--	AC	16JB-680---006--
1D	Bearing	AC	16JB-680---007--	AC	16JB-680---006--
1E	Spring	AC	--KT--59ZP-010--	AC	--KT--59ZP-010--
1G	Clip	AC	--KT--50ZP-020--		NONE
2	Ring, Casing Wearing	AC	--KK--09XD-015--	AC	--KK--09XD-015--
3	Ring, Motor Wearing	AC	--KK--09XD-015--	AC	--KK--09XD-020--*
4	Gasket	AC	16JA-010---002--	AC	16JA-010---002--
5	Impeller	AC	--KK--75XA-534--	AC	--KK--75XA-534--
6	Washer, Impeller	AC	--KT--59ZP-021--	AC	--KT--59ZP-021--
7	Screw, Impeller	AC	--KT--59ZP-031--	AC	--KT--59ZP-031--

NOTE: Before ordering replacement pump parts, refer to the pump nameplate to determine whether the machine has a Design 2 or 3 pump.

Design 2 - Pump and motor not available, order Design 3 pump or motor.

Design 3 - Do not order complete pump assembly unless pump impeller casing is also required.

\*Included with item #1.



# HERMETIC ABSORPTION CHILLER

**16JA**  
010-068

IMPORTANT: READ PAGE 7 BEFORE ORDERING PARTS FROM THIS PAGE

REFRIGERANT PUMPS

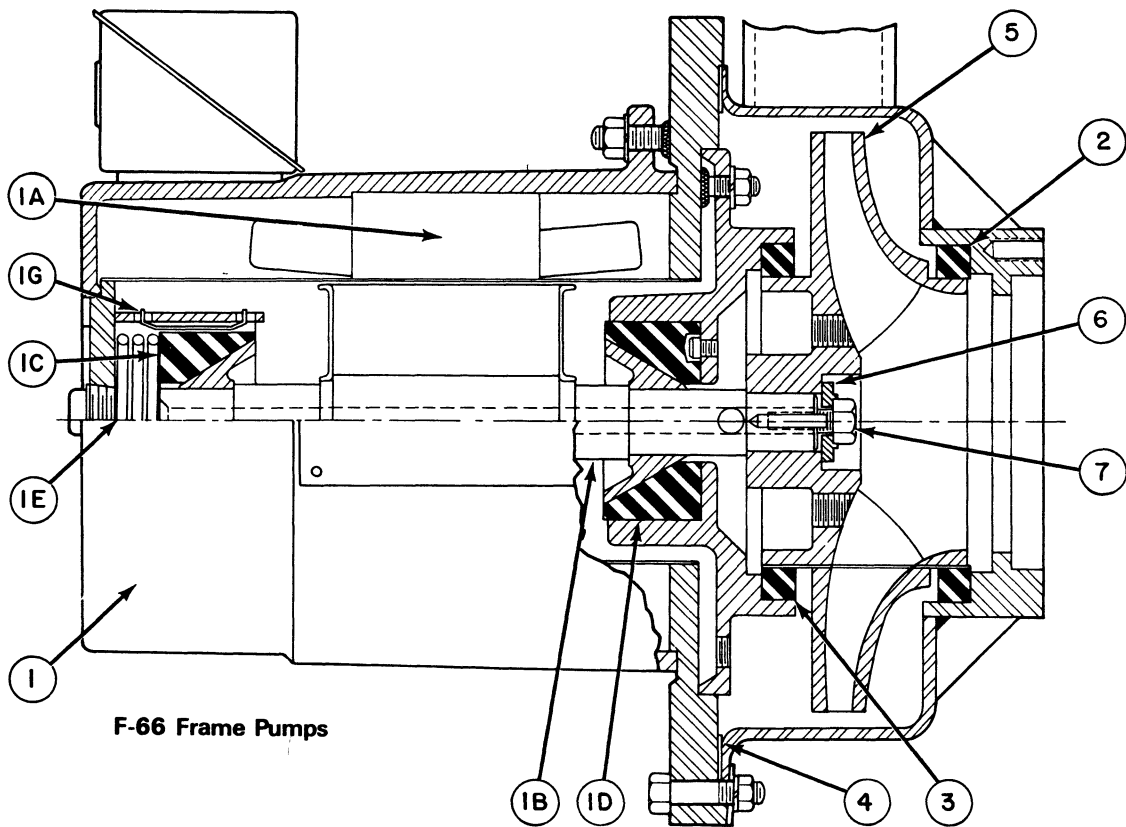
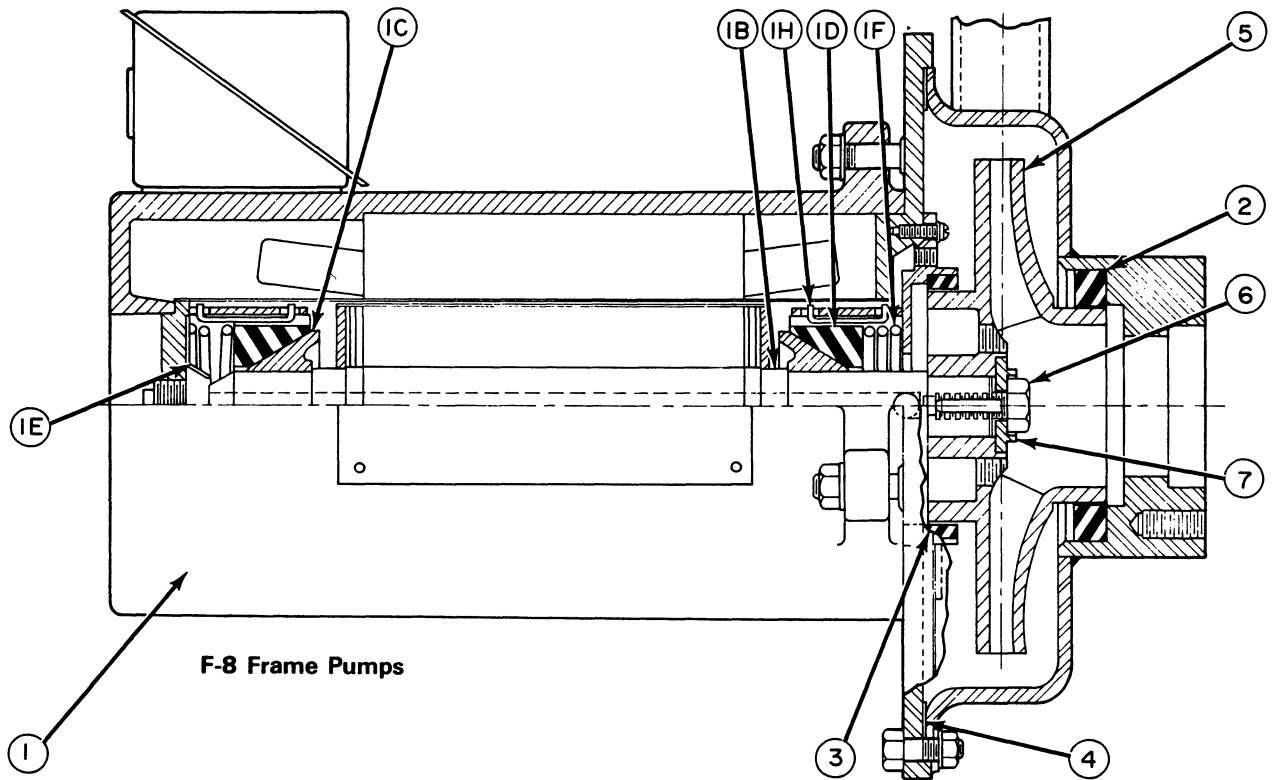
190/208 - 380/416 Volt - 50 Hertz

MACHINE SIZE VOLTAGE FRAME SIZE HERTZ		16JA054-068 190/208 - 308/416 F-66 50			
ITEM NO.	PUMP ASS'Y. NUMBER	LDC	DESIGN #2 16JB-054---1554--	LDC	DESIGN #3 16JB-054---188--
1	Motor Includes:	AC	16JB-660---015--	AC	16JB-660---015--
1A	Stator	AC	16JA-032---002--	NS	16JB-660---008--
1B	Rotor	AC	16JA-032---003--	AC	16JB-680---005--
1C	Bearing	AC	16JB-680---009--	AC	16JB-680---006--
1D	Bearing	AC	16JB-680---009--	AC	16JB-680---006--
1E	Spring	AC	--KT--59ZP-010--	AC	--KT--59ZP-010--
1G	Clip	AC	--KT--59ZP-020--		NONE
2	Ring, Casing Wearing	AC	--KK--09XD-015--	AC	--KK--09XD-015--
3	Ring, Motor Wearing	AC	--KK--09XD-015--	AC	--KK--09XD-020--*
4	Gasket	AC	16JA-010---002--	AC	16JA-010---002--
5	Impeller	AC	--KK--75XA-536--	AC	--KK--75AX-536--
6	Washer, Impeller	AC	--KT--59ZP-021--	AC	--KK--59ZP-021--
7	Screw, Impeller	AC	--KT--59ZP-031--	AC	--KT--59ZP-031--

NOTE: Before ordering replacement pump parts, refer to the pump nameplate to determine whether the machine has a Design 2 or 3 pump.

Design 2 - Pump and motor not available, order Design 3 pump or motor.  
Design 3 - Do not order complete pump assembly unless pump impeller casing is also required.

\*Included with item #1



### Group C - Solution Pumps



# HERMETIC ABSORPTION CHILLER

# 16JA

010-068

IMPORTANT: READ PAGE 7 BEFORE ORDERING PARTS FROM THIS PAGE

## SOLUTION PUMPS

208/240 - 416/480 VOLT - 60 HERTZ

MACHINE SIZE VOLTAGE FRAME SIZE HERTZ		16JA010-028 208/240 - 416/480					
		F-8 60		F-66 60			
ITEM	PUMP ASS'Y NUMBER	LDC	DESIGN #1 16JA-010---174--	LDC	DESIGN #2 16JA-010--1564--	LDC	DESIGN #3 16JB-010---178--
1	Motor Includes:	AC	16JA-010---004--	NS	16JB-660---014--	NS	16JB-660---014--
1A	Stator	NS	16JA-010---005--	AC	16JA-010---023--	NS	16JB-660---006--
1B	Rotor	AC	16JA-010---006--	NS	16JA-010---025--	NS	16JB-680---004--
1C	Bearing	AC	16JB-680---010--	AC	16JB-680---009--	AC	16JB-680---006--
1D	Bearing	AC	16JB-680---010--	AC	16JB-680---009--	AC	16JB-680---006--
1E	Spring	AC	--KT--59ZP-001--	AC	--KT--59ZP-010--	AC	--KT--59ZP-010--
1F	Spring	AC	--KT--59ZP-001--		NONE		NONE
1G	Clip	AC	--KT--59ZP-011--	AC	--KT--59ZP-020--		NONE
1H	Clip	AC	--KT--59ZP-011--		NONE		NONE
2	Ring, Casing Wearing	AC	--KK--09XC-015--	AC	--KK--09XC-042--	AC	--KK--09XC-042--
3	Ring, Motor Wearing	AC	--KK--09XD-010--	AC	--KK--09XC-042--	AC	--KK--09XD-018--*
4	Gasket	AC	16JA-010---003--	AC	16JA-010---002--	AC	16JA-010---002--
5	Impeller	AC	--KK--75XA-532--	AC	--KK--75XA-540--	AC	--KK--75XA-540--
6	Washer, Impeller	AC	--KT--59ZP-021--	AC	--KT--59ZP-021--	AC	--KT--59ZP-021--
7	Screw, Impeller	AC	--KT--59ZP-031	AC	--KT--59ZP-031--	AC	--KT--59ZP-031--

NOTE: Before ordering Replacement Pump Parts, refer to the Pump Nameplate to determine whether the machine has a Design I II or III Pump.

Design I - Pump Assembly not available, Motor and Parts are available.

Design II - Pump and Motor not available, order Design III Pump or Motor.

Design III - Do not order complete Pump Assembly unless Pump Impeller casing is also required.

\* Included with Item #1.



# HERMETIC ABSORPTION CHILLER

# 16JA

010-068

IMPORTANT: READ PAGE 7 BEFORE ORDERING PARTS FROM THIS PAGE

## SOLUTION PUMPS

550/575 VOLT - 60 HERTZ

MACHINE SIZE		16JA010-028					
VOLTAGE FRAME SIZE HERTZ		F-8		550/575		F-66 60	
ITEM	PUMP ASS'Y NUMBER	LDC	DESIGN #1 16JA-010---174-2	LDC	DESIGN #2 16JA-010--1564-2	LDC	DESIGN #3 16JB-010---178-1
1	Motor Includes:	NS	16JA-010---010--	NS	16JA-010---027--	NS	16JB-660---002--
1A	Stator	NS	16JA-010---011--	NS	16JA-010---024--	NS	16JB-660---007--
1B	Rotor	AC	16JA-010---006--	NS	16JA-010---025--	NS	16JB-680---004--
1C	Bearing	AC	16JB-680---010--	AC	16JB-680---009--	AC	16JB-680---006--
1D	Bearing	AC	16JB-680---010--	AC	16JB-680---009--	AC	16JB-680---006--
1E	Spring	AC	--KT--59ZP-001--	AC	--KT--59ZP-010--	AC	--KT--59ZP-010--
1F	Spring	AC	--KT--59ZP-001--		NONE		NONE
1G	Clip	AC	--KT--59ZP-011--	AC	--KT--59ZP-020--		NONE
1H	Clip	AC	--KT--59ZP-011--		NONE		NONE
2	Ring, Casing Wearing	AC	--KK--09XC-015--	AC	--KK--09XC-042--	AC	--KK--09XC-042--
3	Ring, Motor Wearing	AC	--KK--09XD-010--	AC	--KK--09XC-042--	AC	--KK--09XD-018--*
4	Gasket	AC	16JA-010---003--	AC	16JA-010---002--	AC	16JA-010---002--
5	Impeller	AC	--KK--75XA-532--	AC	--KK--75XA-540--	AC	--KK--75XA-540--
6	Washer, Impeller	AC	--KT--59ZP-021--	AC	--KT--59ZP-021--	AC	--KT--59ZP-021--
7	Screw, Impeller	AC	--KT--59ZP-031--	AC	--KT--59ZP-031--	AC	--KT--59ZP-031--

NOTE: Before ordering Replacement Pump Parts, refer to the Pump Nameplate to determine whether the machine has a Design I, II or III Pump.

Design I - Pump Assembly not available, Motor and Parts are available.

Design II - Pump and Motor not available, order Design III Pump or Motor.

Design III - Do not order complete Pump Assembly unless Pump Impeller casing is also required.

\*Included with Item #1



# HERMETIC ABSORPTION CHILLER

# 16JA

010-068

IMPORTANT: READ PAGE 7 BEFORE ORDERING PARTS FROM THIS PAGE

## SOLUTION PUMPS

208/240 - 416/ 480 VOLT - 60 HERTZ

MACHINE SIZE VOLTAGE FRAME SIZE HERTZ		16JA032-047 208/240 - 416/480 F-66 60			
ITEM NO.	PUMP ASS'Y NUMBER	LDC	DESIGN #2 16JA-032---174--	LDC	DESIGN #3 16JB-032---178--
1	Motor Includes:	AC	16JB-660---015--	AC	16JB-660---015--
1A	Stator	AC	16JA-032---002--	NS	16JB-660---008--
1B	Rotor	AC	16JA-032---003--	AC	16JB-680---005--
1C	Bearing	AC	16JB-680---009--	AC	16JB-680---006--
1D	Bearing	AC	16JB-680---009--	AC	16JB-680---006--
1E	Spring	AC	--KT--59ZP-010--	AC	--KT--59ZP-010--
1F	Spring		NONE		NONE
1G	Clip	AC	--KT--59ZP-020--	AC	NONE
1H	Clip		NONE		NONE
2	Ring, Casing Wearing	AC	--KK--09XD-015--	AC	--KK--09XD-015--
3	Ring, Motor Wearing	AC	--KK--09XD-015--	AC	--KK--09XD-020--*
4	Gasket	AC	16JA-010---002--	AC	16JA-010---002--
5	Impeller	AC	--KK--75XA-533--	AC	--KK--75XA-533--
6	Washer, Impeller	AC	--KT--59ZP-021--	AC	--KT--59ZP-021--
7	Screw, Impeller	AC	--KT--59ZP-031--	AC	--KT--59ZP-031--

NOTE: Before ordering replacement pump parts, refer to the pump nameplate to determine whether the machine has a Design I, II, or III pump.

Design I - Pump Assembly not available, motor and parts are available  
 Design II - Pump and motor not available, order Design III pump or motor.  
 Design III - Do not order complete pump assembly unless pump impeller casing is also required.



# HERMETIC ABSORPTION CHILLER

# 16JA

010-068

IMPORTANT: READ PAGE 7 BEFORE ORDERING PARTS FROM THIS PAGE

SOLUTION PUMPS

208/240 - 416/480 VOLT - 60 HERTZ

MACHINE SIZE VOLTAGE FRAME SIZE HERTZ		16JA054-068 208/240 - 416/480 F-66 60			
ITEM NO.	PUMP ASSEMBLY NUMBER	LDC	DESIGN #2 16JA-050---174--	LDC	DESIGN #3 16JB-054---178--
1	Motor Includes:	AC	16JB-660---015--	AC	16JB-660---015--
1A	Stator	AC	16JA-032---002--	NS	16JB-660---008--
1B	Rotor	AC	16JA-032---003--	AC	16JB-680---005--
1C	Bearing	AC	16JB-680---009--	AC	16JB-680---006--
1D	Bearing	AC	16JB-680---009--	AC	16JB-680---006--
1E	Spring	AC	--KT--59ZP-010--	AC	--KT--59ZP-010--
1G	Clip	AC	--KT--59ZP-020--		NONE
2	Ring, Casing Wearing	AC	--KK--09XD-015--	AC	--KK--09XD-015--
3	Ring, Motor Wearing	AC	--KK--09XD-015--	AC	--KK--09XD-020--*
4	Gasket	AC	16JA-010---002--	AC	16JA-010---002--
5	Impeller	AC	--KK--75XA-537--	AC	--KK--75XA-537--
6	Washer, Impeller	AC	--KT--59ZP-021--	AC	--KT--59ZP-021--
7	Screw, Impeller	AC	--KT--59ZP-031--	AC	--KT--59ZP-031--

NOTE: Before ordering replacement pump parts, refer to the pump nameplate to determine whether the machine has a Design 2 or 3 pump.

Design 2 - Pump and motor not available, order Design 3 pump.  
 Design 3 - Do not order complete pump assembly unless pump impeller casing is also required.

\*Included with Item #1



# HERMETIC ABSORPTION CHILLER

# 16JA

010-068

IMPORTANT: READ PAGE 7 BEFORE ORDERING PARTS FROM THIS PAGE

SOLUTION PUMPS

550/575 VOLT - 60 HERTZ

MACHINE SIZE VOLTAGE FRAME SIZE HERTZ		16JA032-047 550/575 F-66 60			
ITEM NO	PUMP ASS'Y NUMBER	LDC	DESIGN #2 16JA-032---174-2	LDC	DESIGN #3 16JB-032---178-3
1	Motor Includes:	NS	16JA-032---004--	NS	16JB-660---004--
1A	Stator	NS	16JA-032---005--	NS	16JB-660---009--
1B	Rotor	AC	16JA-032---003--	AC	16JB-680---005--
1C	Bearing	AC	16JB-680---009--	AC	16JB-680---006--
1D	Bearing	AC	16JB-680---009--	AC	16JB-680---006--
1E	Spring	AC	--KT--59ZP-010--	AC	--KT--59ZP-010--
1F	Spring		NONE		NONE
1G	Clip	AC	--KT--59ZP-020--		NONE
1H	Clip		NONE		NONE
2	Ring, Casing Wearing	AC	--KK--09XD-015--	AC	--KK--09XD-015--
3	Ring, Motor Wearing	AC	--KK--09XD-015--	AC	--KK--09XD-020--*
4	Gasket	AC	16JA-010---002--	AC	16JA-010---002--
5	Impeller	AC	--KK--75XA-533--	AC	--KK--75XA-533--
6	Washer, Impeller	AC	--KT--59ZP-021--	AC	--KT--59ZP-021--
7	Screw, Impeller	AC	--KT--59ZP-031--	AC	--KT--59ZP-031--

NOTE: Before ordering replacement pump parts, refer to the pump nameplate to determine whether the machine has a Design I, II or III pump.

Design I - Pump assembly not available, motor and parts are available.  
 Design II - Pump and motor not available, order Design 3 pump or motor.  
 Design III - Do not order complete pump assembly unless pump impeller casing is also required.

\* Included with item #1



# HERMETIC ABSORPTION CHILLER

# 16JA

010-068

IMPORTANT: READ PAGE 7 BEFORE ORDERING PARTS FROM THIS PAGE

## SOLUTION PUMPS

550/575 VOLT - 60 HERTZ

MACHINE SIZE VOLTAGE FRAME SIZE HERTZ		16JA054-068 550/575 F-66 60			
ITEM NO	PUMP ASSEMBLY NUMBER	LDC	DESIGN #2 16JA-050---174-2	LDC	DESIGN #3 16JB-054---178-1
1	Motor Includes:	NS	16JA-032---004--	NS	16JB-660---004--
1A	Stator	NS	16JA-032---005--	NS	16JB-660---009--
1B	Rotor	AC	16JA-032---003--	AC	16JB-680---005--
1C	Bearing	AC	16JB-680---009--	AC	16JB-680---006--
1D	Bearing	AC	16JB-680---009--	AC	16JB-680---006--
1E	Spring	AC	--KT--59ZP-010--	AC	--KT--59ZP-010--
1G	Clip	AC	--KT--59ZP-020--		NONE
2	Ring, Casing Wearing	AC	--KT--09XD-015--	AC	--KT--09XD-015--
3	Ring, Motor Wearing	AC	--KT--09XD-015--	AC	--KK--09XD-020--*
4	Gasket	AC	16JA-010---002--	AC	16JA-010---002--
5	Impeller	AC	--KK--75XA-537--	AC	--KK--75XA-537--
6	Washer, Impeller	AC	--KT--59ZP-021--	AC	--KT--59ZP-021--
7	Screw, Impeller	AC	--KT--59ZP-021--	AC	--KT--59ZP-031--

NOTE: Before ordering replacement pump parts, refer to the pump nameplate to determine whether the machine has a Design 2 or 3 pump.

Design 2 - Pump and motor not available, order Design 3 pump or motor,  
Design 3 - Do not order complete pump assembly unless pump impeller casing is also required.

\*Included with item #1



# HERMETIC ABSORPTION CHILLER

# 16JA

010-068

IMPORTANT: READ PAGE 7 BEFORE ORDERING PARTS FROM THIS PAGE

SOLUTION PUMPS  
600 VOLTS - 60 HERTZ

MACHINE SIZE		16JA010-028					
VOLTAGE FRAME SIZE HERTZ		600			F-66		
		F-8	60		60		
ITEM	PUMP ASS'Y NUMBER	LDC	DESIGN #1 16JA-010---174-1	LDC	DESIGN #2 16JA-010--1564-4	LDC	DESIGN #3 16JB-010---178-3
1	Motor Includes:	NS	16JA-010---016--	NS	16JA-010---027--	NS	16JB-660---002--
1A	Stator	NS	16JA-010---017--	NS	16JA-010---024--	NS	16JB-660---007--
1B	Rotor	AC	16JA-010---006--	NS	16JA-010---025--	NS	16JB-680---004--
1C	Bearing	AC	16JB-680---010--	AC	16JB-680---009--	AC	16JB-680---006--
1D	Bearing	AC	16JB-680---010--	AC	16JB-680---009--	AC	16JB-680---006--
1E	Spring	AC	--KT--59ZP-001--	AC	--KT--59ZP-010--	AC	--KT--59ZP-010--
1F	Spring	AC	--KT--59ZP-001--		NONE		NONE
1G	Clip	AC	--KT--59ZP-011--	AC	--KT--59ZP-020--		NONE
1H	Clip	AC	--KT--59ZP-011--		NONE		NONE
2	Ring, Casing Wearing	AC	--KK--09XC-015--	AC	--KK--09XC-042--	AC	--KK--09XD-015--
3	Ring, Motor Wearing	AC	--KK--09XD-010--	AC	--KK--09XC-042--	AC	--KK--09XD-018--*
4	Gasket	AC	16JA-010---003--	AC	16JA-010---002--	AC	16JA-010---002--
5	Impeller	AC	--KK--75XA-532--	AC	--KK--75XA-540--	AC	--KK--75XA-540--
6	Washer, Impeller	AC	--KT--59ZP-021--	AC	--KT--59ZP-021--	AC	--KT--59ZP-021--
7	Screw, Impeller	AC	--KT--59ZP-031--	AC	--KT--59ZP-031--	AC	--KT--59ZP-031--

NOTE: Before ordering Replacement Pump Parts, refer to the Pump Nameplate to determine whether the machine has a Design I, II, or III Pump.

Design I - Pump Assembly not available, motor and parts are available.

Design II - Pump and Motor not available, order Design III Pump or Motor.

Design III - Do not order complete Pump Assembly unless Pump Impeller casing is also required.

\*Included with Item #1.



# HERMETIC ABSORPTION CHILLER

# 16JA

010-068

IMPORTANT: READ PAGE 7 BEFORE ORDERING PARTS FROM THIS PAGE

SOLUTION PUMPS

600 VOLTS - 60 HERTZ

MACHINE SIZE VOLTAGE FRAME SIZE HERTZ		16JA032-047 600 F-66 60			
ITEM NO	PUMP ASS'Y NUMBER	LDC	DESIGN #2 16JA-032---174-4	LDC	DESIGN #3 16JB-032---178-3
1	Motor Includes:	NS	16JA-032---010--	NS	16JB-660---005--
1A	Stator	NS	16JA-032---011--	NS	16JB-660---010--
1B	Rotor	AC	16JA-032---003--	AC	16JB-680---005--
1C	Bearing	AC	16JB-680---009--	AC	16JB-680---006--
1D	Bearing	AC	16JB-680---009--	AC	16JB-680---006--
1E	Spring	AC	--KT--59ZP-010--	AC	--KT--59ZP-010--
1F	Spring		NONE		NONE
1G	Clip	AC	--KT--59ZP-020--		NONE
1H	Clip		NONE		NONE
2	Ring, Casing Wearing	AC	--KK--09XD-015--	AC	--KK--09XD-015--
3	Ring, Motor Wearing	AC	--KK--09XD-015--	AC	--KK--09XD-020--*
4	Gasket	AC	16JA-010---002--	AC	16JA-010---002--
5	Impeller	AC	--KK--75XA-534--	AC	--KK--75XA-534--
6	Washer, Impeller	AC	--KT--59ZP-021--	AC	--KT--59ZP-021--
7	Screw Impeller	AC	--KT--59ZP-031--	AC	--KT--59ZP-031--

NOTE: Before ordering replacement pump parts, refer to the pump nameplate to determine whether the machine has a Design I, II, or III pump.

Design I - Pump assembly not available, motor and parts are available  
 Design II - Pump and motor not available, order Design III pump or motor.  
 Design III - Do not order complete pump assembly unless pump impeller casing is also required.

\*Included with item #1



# HERMETIC ABSORPTION CHILLER

# 16JA

010-068

IMPORTANT: READ PAGE 7 BEFORE ORDERING PARTS FROM THIS PAGE

SOLUTION PUMPS

600 VOLT - 60 HERTZ

MACHINE SIZE VOLTAGE FRAME SIZE HERTZ		16JA054-068 600 F-66 60			
ITEM NO.	PUMP ASSEMBLY NUMBER	LDC	DESIGN #2 16JA-050---174-4	LDC	DESIGN #3 16JB-054---178-3
1	Motor Includes:	NS	16JA-032---010--	NS	16JB-660---005--
1A	Stator	NS	16JA-032---011--	NS	16JB-660---010--
1B	Rotor	AC	16JA-032---003--	AC	16JB-680---005--
1C	Bearing	AC	16JB-680---009--	AC	16JB-680---006--
1D	Bearing	AC	16JB-680---009--	AC	16JB-680---006--
1E	Spring	AC	--KT--59ZP-010--	AC	--KT--59ZP-010--
1G	Clip	AC	--KT--59ZP-020--		NONE
2	Ring, Casing Wearing	AC	--KK--09XD-015--	AC	--KK--09XD-015--
3	Ring, Motor Wearing	AC	--KK--09XD-015--	AC	--KK--09XD-020--*
4	Gasket	AC	16JA-010---002--	AC	16JA-010---002--
5	Impeller	AC	--KK--75XA-537--	AC	--KK--75XA-537--
6	Washer, Impeller	AC	--KT--59ZP-021--	AC	--KT--59ZP-021--
7	Screw, Impeller	AC	--KT--59ZP-031--	AC	--KT--59ZP-031---

NOTE: Before ordering replacement pump parts, refer to the pump nameplate to determine whether the machine has a Design 2 or 3 pump.

Design 2 - Pump and motor not available, order Design 3 pump or motor.  
 Design 3 - Do not order complete pump assembly unless pump impeller casing is also required.

\* Included with Item #1



# HERMETIC ABSORPTION CHILLER

# 16JA

010-068

IMPORTANT: READ PAGE 7 BEFORE ORDERING PARTS FROM THIS PAGE

SOLUTION PUMPS

208/240 - 416/480 - EXPLOSION PROOF - 60 HERTZ

MACHINE SIZE		16JA010-021					
VOLTAGE FRAME SIZE HERTZ		F-8 60		190/208 - 380/416		F-66 60	
ITEM	PUMP ASS'Y NUMBER	LDC	DESIGN # 1 16JA-010---174-3	LDC	DESIGN #2 16JA-010--1564-3	LDC	DESIGN #3 16JB-010---178-2
1	Motor Includes:	NS	16JA-010---013--	NS	16JA-010---029--	NS	16JA-010---029--
1A	Stator	NS	16JA-010---014--	NS	16JA-010---028--	NS	16JA-010---028--
1B	Rotor	AC	16JA-010---006--	NS	16JA-010---025--	NS	16JA-010---025--
1C	Bearing	AC	16JB-680---010--	AC	16JB-680---009--	AC	16JB-680---009--
1D	Bearing	AC	16JB-680---010--	AC	16JB-680---009--	AC	16JB-680---009--
1E	Spring	AC	--KT--59ZP-001--	AC	--KT--59ZP-010--	AC	--KT--59ZP-010--
1F	Spring	AC	--KT--59ZP-001--		NONE		NONE
1G	Clip	AC	--KT--59ZP-011--	AC	--KT--59ZP-020--		NONE
1H	Clip	AC	--KT--59ZP-011--		NONE		NONE
2	Ring, Casing Wearing	AC	--KK--09XC-015--	AC	--KK--09XC-042--	AC	--KK--09XC-042--
3	Ring, Motor Wearing	AC	--KK--09XD-010--	AC	--KK--09XC-042--	AC	--KK--09XC-042--*
4	Gasket	AC	16JA-010---003--	AC	16JA-010---002--	AC	16JA-010---002--
5	Impeller	AC	--KK--75XA-532--	AC	--KK--75XA-540--	AC	--KK--75XA-540--
6	Washer, Impeller	AC	--KK--59ZP-021--	AC	--KT--59ZP-021--	AC	--KT--59ZP-021--
7	Screw, Impeller	AC	--KT--59ZP-031--	AC	--KT--59ZP-031--	AC	--KT--59ZP-031--

NOTE: Before ordering Replacement Pump Parts, refer to the Pump Nameplate to determine whether the machine has a Design I, II, III Pump.

Design I - Pump Assembly not available, motor and parts are available.

Design II - Pump Assembly not available, order Design III Pump.

Design III - Do not order complete Pump Assembly unless Pump Impeller casing is also required.

\*Included with Item #1



# HERMETIC ABSORPTION CHILLER

# 16JA

010-068

IMPORTANT: READ PAGE 7 BEFORE ORDERING PARTS FROM THIS PAGE

## SOLUTION PUMPS

208/240 - 416/480 - EXPLOSION PROOF - 60 HERTZ

MACHINE SIZE VOLTAGE FRAME SIZE HERTZ		16JA032-047 208/240 - 416/480 EXPLOSION PROOF F-66 60				
ITEM NO.	PUMP ASS'Y NUMBER	LDC	DESIGN #2 16JA-032---174-3	LDC	DESIGN #3 16JB-032---178-3	
1	Motor Includes:	AC	16JA-032---007--	AC	16JA-032---007--	
1A	Stator	NS	16JA-032---008--	NS	16JA-032---008--	
1B	Rotor	AC	16JA-032---003--	AC	16JA-032---003--	
1C	Bearing	AC	16JB-680---009--	AC	16JB-680---009--	
1D	Bearing	AC	16JB-680---009--	AC	16JB-680---009--	
1E	Spring	AC	--KT--59ZP-010--	AC	--KT--59ZP-010--	
1F	Spring		NONE		NONE	
1G	Clip	AC	--KT--59ZP-020--		NONE	
1H	Clip		NONE		NONE	
2	Ring, Casing Wearing	AC	--KK--09XD-015--	AC	--KK--09XD-015--	
3	Ring, Motor Wearing	AC	--KK--09XD-015--	AC	--KK--09XD-015---*	
4	Gasket	AC	16JA-010---002--	AC	16JA-010---002--	
5	Impeller	AC	--KK--75XA-533--	AC	--KK--75XA-533--	
6	Washer, Impeller	AC	--KT--59ZP-021--	AC	--KT--59ZP-021--	
7	Screw, Impeller	AC	--KT--59ZP-031--	AC	--KT--59ZP-031--	

NOTE: Before ordering replacement pump parts, refer to the pump nameplate to determine whether the machine has a Design 1, 2, or 3 pump.

Design I - Pump assembly not available, motor and parts are available.

Design II - Pump assembly not available, order Design III pump.

Design III - Do not order complete pump assembly unless pump impeller casing is also required.

\*Included with item #1.



# HERMETIC ABSORPTION CHILLER

# 16JA

010-068

IMPORTANT: READ PAGE 7 BEFORE ORDERING PARTS FROM THIS PAGE

## SOLUTION PUMPS

208/240 - 416/480 Explosion Proof - 60 Hertz

MACHINE SIZE VOLTAGE FRAME SIZE HERTZ		16JA054-068 208/240 - 416/480 Explosion Proof F-66 60			
ITEM NO.	PUMP ASSEMBLY NUMBER	LDC	DESIGN #2 16JA-050---174-3	LDC	DESIGN #3 16JB-054---178-2
1	Motor Includes:	AC	16JA-032---007--	AC	16JA-032---007--
1A	Stator	NS	16JA-032---008--	NS	16JA-032---008--
1B	Rotor	AC	16JA-032---003--	AC	16JA-032---003--
1C	Bearing	AC	16JB-680---009--	AC	16JB-680---009--
1D	Bearing	AC	16JB-680---009--	AC	16JB-680---009--
1E	Spring	AC	--KT--59ZP-010--	AC	--KT--59ZP-010--
1G	Clip	AC	--KT--59ZP-020--	AC	--KT--59ZP-020--
2	Ring, Casing Wearing	AC	--KK--09XD-015--	AC	--KK--09XD-015--
3	Ring, Motor Wearing	AC	--KK--09XD-015--*	AC	--KK--09XD-015--*
4	Gasket	AC	16JA-010---002--	AC	16JA-010---002--
5	Impeller	AC	--KK--75XA-537--	AC	--KK--75XA-537--
6	Washer, Impeller	AC	--KT--59ZP-021--	AC	--KT--59ZP-021--
7	Washer, Impeller	AC	--KT--59ZP-031--	AC	--KT--59ZP-031--

NOTE: Before ordering replacement pump parts, refer to the pump nameplate to determine whether the machine has a Design 2 or 3 pump.

Design 2 - Pump not available, order Design 3 pump.

Design 3 - Do not order complete pump assembly unless pump impeller casing is also required.

\*Included with Item #1



# HERMETIC ABSORPTION CHILLER

# 16JA

010-068

IMPORTANT: READ PAGE 7 BEFORE ORDERING PARTS FROM THIS PAGE

SOLUTION PUMPS

109/208 - 380/416 VOLT - 50 HERTZ

MACHINE SIZE VOLTAGE FRAME SIZE HERTZ		16JA-024 - 047 190/208 - 380/416 F-66 50			
ITEM NO	PUMP ASS'Y NUMBER	LDC	DESIGN #2 16JB-032--1564--	LDC	DESIGN #3 16JB-032---198--
1	Motor Includes:	AC	16JB-660---015--	AC	16JB-660---015--
1A	Stator	AC	16JA-032---002--	NS	16JB-660---008--
1B	Rotor	AC	16JA-032---003--	NS	16JB-680---005--
1C	Bearing	AC	16JB-680---009--	AC	16JB-680---006--
1D	Bearing	AC	16JB-680---009--	AC	16JB-680---006--
1E	Spring	AC	--KT--59ZP-010--	AC	--KT--59ZP-010--
1F	Spring		NONE		NONE
1G	Clip	AC	--KT--59ZP-020--		NONE
1H	Clip		NONE		NONE
2	Ring, Casing Wearing	AC	--KK--09XD-015--	AC	--KK--09XD-015--
3	Ring, Casing Wearing	AC	--KK--09XD-015--	AC	--KK--09XD-020--*
4	Gasket	AC	16JA-010---002--	AC	16JA-010---002--
5	Impeller	AC	--KK--75XA-534--	AC	--KK--75XA-534--
6	Washer, Impeller	AC	--KT--59ZP-021--	AC	--KT--59ZP-021--
7	Screw, Impeller	AC	--KT--59ZP-031--	AC	--KT--59ZP-031--

NOTE: Before ordering replacement pump parts, refer to the pump nameplate to determine whether the machine has a Design I, II, or III pump.

Design I - Pump assembly not available, motor and parts are available.

Design II - Pump and motor not available, order Design III pump or motor.

Design III - Do not order complete pump assembly unless pump impeller casing is also required.

\*Included with Item #1



# HERMETIC ABSORPTION CHILLER

# 16JA

010-068

IMPORTANT: READ PAGE 7 BEFORE ORDERING PARTS FROM THIS PAGE

## SOLUTION PUMPS

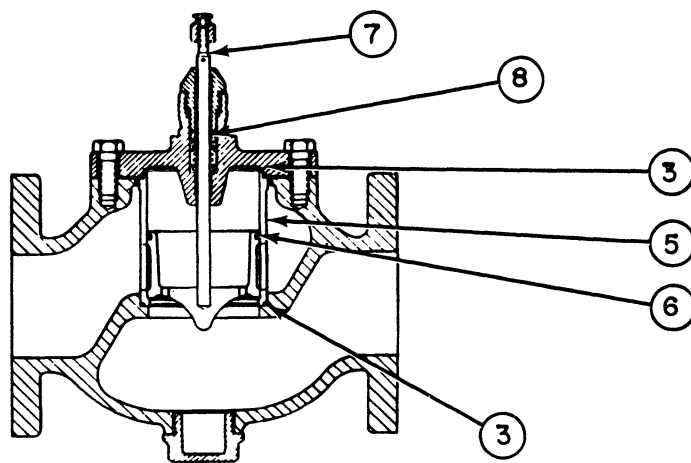
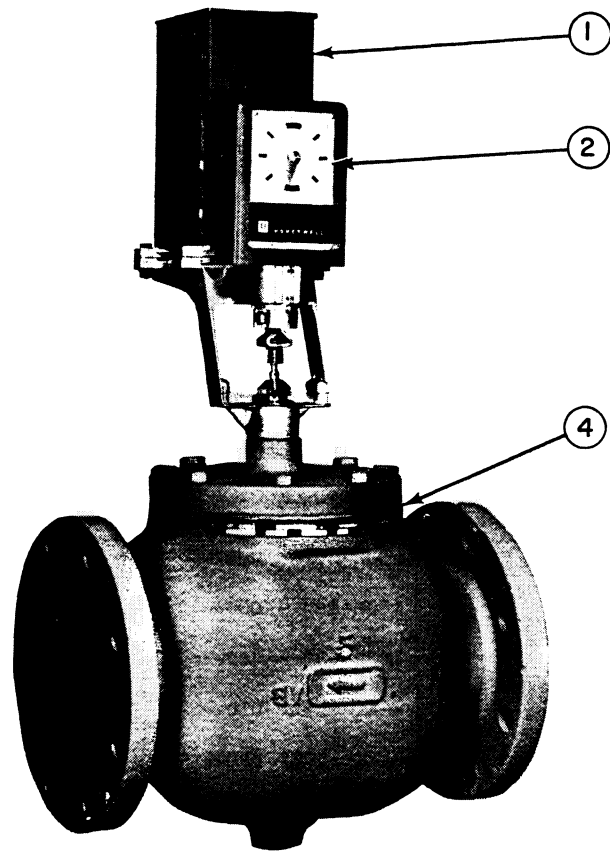
190/208 - 380/416 VOLT - 50 HERTZ

MACHINE SIZE VOLTAGE FRAME SIZE HERTZ		16JA054-068 190/208 - 380/416 F-66 50			
ITEM NO.	PUMP ASSEMBLY NUMBER	LDC	DESIGN #2 16JB-054--1564--	LDC	DESIGN #3 16JB-054---198--
1	Motor Includes:	AC	16JA-660---015--	AC	16JB-660---015--
1A	Stator	AC	16JA-032---002--	NS	16JB-660---008--
1B	Rotor	AC	16JA-032---003--	NS	16JB-680---005--
1C	Bearing	AC	16JB-680---009--	AC	16JB-680---006--
1D	Bearing	AC	16JB-680---009--	AC	16JB-680---006--
1E	Spring	AC	--KT--59ZP-010--	AC	--KT--59ZP-010--
1G	Clip	AC	--KT--59ZP-020--		NONE
2	Ring, Casing Wearing	AC	--KK--09XD-015--	AC	--KK--09XD-015--
3	Ring, Motor Wearing	AC	--KK--09XD-015--	AC	--KK--09XD-020--*
4	Gasket	AC	16JA-010---002--	AC	16JA-010---002--
5	Impeller	AC	--KK--75XA-538--	AC	--KK--75XA-538--
6	Washer, Impeller	AC	--KT--59ZP-021--	AC	--KT--59ZP-021--
7	Screw, Impeller	AC	--KT--59ZP-031--	AC	--KT--59ZP-031--

NOTE: Before ordering replacement pump parts, refer to the pump nameplate to determine whether the machine has a Design 2 or 3 pump.

Design 2 - Pump and motor not available, order Design 3 pump or motor.  
Design 3 - Do not order complete pump assembly unless pump impeller casing is also required.

\*Included with Item #1



**Group D and E - Electronic Steam Valve  
(Modified Linear and Equal Percentage Ports)**



# HERMETIC ABSORPTION CHILLER

**16JA**  
010-068

ELECTRONIC STEAM VALVE (MODIFIED LINEAR PORT)

DESIGN #1 16JA010-068

ITEM	DESCRIPTION	VALVE SIZE					
		LDC	2 1/2A	LDC	3A	LDC	4A
	Valve, & Motor Ass'y Includes:	NA	--EF--04MB-541--	NA	--EF--04MB-601	NA	--EF--04MB-711
1	Motor Includes:		N.A.		N.A.		N.A.
NI/1A	Tube*	AC	--HT--69AA-102--	AC	--HT--69AA-102--	AC	--HT--69AA-102--
NI/1B	Tube**	AC	--HT--69AA-111--	AC	--HT--69AA-111--	AC	--HT--69AA-111--
2	Linkage	AC	--EF--09BZ-017--	AC	--EF--09BZ-017--	AC	--EF--09BZ-017--
3	Ring O, Cage	AC	--KK--71EL-149--	AC	--KK--71EL-152--	AC	--KK--71EL-156--
4	Gasket, Bonnet	AC	--EF--69ZB-542--	AC	--EF--69ZB-602--	AC	--EF--69ZB-712--
5	Cage	NS	--EF--69ZB-544--	AC	--EF--69ZB-604--	AC	--EF--69ZB-714--
6	Ring O Plug	AC	--KK--71EL-230--	AC	--KK--71EL-234--	AC	--KK--71EL-242--
7	Plug, & Stem	AC	--EF--69ZB-541--	AC	--EF--69ZB-601--	AC	--EF--69ZB-711--
8	Packing	AC	--EF--69ZB-543--	AC	--EF--69ZB-543--	AC	--EF--69ZB-543--

\*Vendor P/N 5963

\*\*Vendor P/N 12AX7

NOTES:

- 1 - To determine whether the Valve Assembly is a Design #1 or Design #2, obtain the Valve Assembly part number from the nameplate located on the Valve Flange.
- 2 - The complete Design #1 Electronic Steam Valve and Motor is no longer available. If required, order complete Design #2 Electronic Steam Valve and Motor (Solid State Type), and also, order a new Control Point Adjuster (--HT--24AZ-115--) and a new Temperature Sensor (--HH--19AZ-031--).



# HERMETIC ABSORPTION CHILLER

# 16JA

010-068

ELECTRONIC STEAM VALVE (MODIFIED LINEAR PORT)

DESIGN #1 16JA010-068

ITEM	DESCRIPTION	LDC	VALVE SIZE		
			5A	6A	
1	Valve & Motor Ass'y Includes:	NA	--EF--04MB-751--	NA	--EF--04MB-791--
	Motor Includes:		(N.A.)		(N.A.)
NI/LA	Tube*	AC	--HT--69AA-102--	AC	--HT--69AA-102--
NI/LB	Tube**	AC	--HT--69AA-111--	AC	--HT--69AA-111--
2	Linkage	AC	--EF--09BZ-017--	AC	--EF--09BZ-017--
3	Ring O, Cage	AC	--KK--71EL-162--	AC	--KK--71EL-162--
4	Gasket, Bonnet	AC	--EF--69ZB-752--	AC	--EF--69ZB-791--
5	Cage	AC	--EF--69ZB-754--	AC	--EF--69ZB-754--
6	Ring O, Plug	AC	--KK--71EL-057--	AC	--KK--71EL-057--
7	Plug, & Stem	AC	--EF--69ZB-751--	AC	--EF--69ZB-751--
8	Packing	AC	--EF--69ZB-543--	AC	--EF--69ZB-543--

\*Vendor P/N 5963

\*\*Vendor P/N 12AX7

NOTES: 1 - To determine whether the Valve Assembly is a Design #1 or Design #2, obtain the Valve Assembly Part Number from the nameplate located on the Valve Flange.

2 - The complete Design #1 Electronic Steam Valve and Motor is no longer available. If required, order complete Design #2 Electronic Steam Valve and Motor (Solid State Type), and also, order a new Control Point Adjuster (--HT--24AZ-115) and a new Temperature Sensor (--HH--19AZ-031--).



# HERMETIC ABSORPTION CHILLER

**16JA**  
010-068

ELECTRONIC STEAM VALVE (MODIFIED LINEAR PORT)

DESIGN #2 16JA010-068

ITEM	DESCRIPTION	LDC	VALVE SIZE				
			2 1/2A	LDC	3A	LDC	4A
	Valve, & Motor Ass'y Includes:	NA	--EF--04MB-544--	NA	--EF--04MB-604--	NA	--EF--04MB-714--
1	Motor	AC	--HF--19MA-055--	AC	--HF--19MA-055--	AC	--HF--19MA-055--
2	Linkage	AC	--EF--09BZ-017--	AC	--EF--09BZ-017--	AC	--EF--09BZ-017--
3	Ring O, Cage	AC	--KK--71EL-149--	AC	--KK--71EL-152--	AC	--KK--71EL-156--
4	Gasket, Bonnet	AC	--EF--69ZB-542--	AC	--EF--69ZB-602--	AC	--EF--69ZB-712--
5	Cage	AC	--EF--69ZB-544--	AC	--EF--69ZB-604--	AC	--EF--69ZB-714--
6	Ring O, Plug	AC	--KK--71EL-230--	AC	--KK--71EL-234--	AC	--KK--71EL-242--
7	Plug, & Stem	AC	--EF--69ZB-541--	AC	--EF--69ZB-601--	AC	--EF--69ZB-711--
8	Packing	AC	--EF--69ZB-543--	AC	--EF--69ZB-543--	AC	--EF--69ZB-543--

1 - To determine whether the Valve Assembly is a Design #1 or Design #2, obtain the Valve Assembly part number from the nameplate located on the Valve Flange.



# HERMETIC ABSORPTION CHILLER

# 16JA

010-068

ELECTRONIC STEAM VALVE (MODIFIED LINEAR PORT)

DESIGN #2 16JA010-068

ITEM	DESCRIPTION	LDC	VALVE SIZE		
			5A	6A	
	Valve & Motor Ass'y Includes:	NA	--EF--04MB-754--	NA	--EF--04MB-794--
1	Motor	AC	--HF--19MA-055--	AC	--HF--19MA-055--
2	Linkage	AC	--EF--09BZ-017--	AC	--EF--09BZ-017--
3	Ring O, Cage	AC	--KK--71EL-162--	AC	--KK--71EL-162--
4	Gasket, Bonnet	AC	--EF--69ZB-752--	AC	--EF--69ZB-791--
5	Cage	AC	--EF--69ZB-754--	AC	--EF--69ZB-754--
6	Ring O, Plug	AC	--KK--71EL-057--	AC	--KK--71EL-057--
7	Plug & Stem	AC	--EF--69ZB-751--	AC	--EF--69ZB-751--
8	Packing	AC	--EF--69ZB-543--	AC	--EF--69ZB-543--

NOTE: 1 - To determine whether the Valve Assembly is a Design #1 or Design #2, obtain the Valve Assembly Part Number from the nameplate located on the Valve Flange.



# HERMETIC ABSORPTION CHILLER

**16JA**  
010-068

ELECTRONIC STEAM VALVE (EQUAL PERCENTAGE PORT)

DESIGN #1 16JA010-068

ITEM	DESCRIPTION	LDC	VALVE SIZE				
			2 1/2B	LDC	3B	LDC	4B
	Valve, & Motor Ass'y Includes:	NA	--EF--04MB-541--	NA	--EF--04MB-601--	NA	--EF--04MB-711--
1	Motor Includes:		N.A.		N.A.		N.A.
NI/1A	Tube*	AC	--HT--69AA-102--	AC	--HT--69AA-102--	AC	--HT--69AA-102--
NI/1B	Tube**	AC	--HT--69AA-111--	AC	--HT--69AA-111--	AC	--HT--69AA-111--
2	Linkage	AC	--EF--09BZ-017--	AC	--EF--09BZ-017--	AC	--EF--09BZ-017--
3	Ring O, Cage	AC	--KK--71EL-149--	AC	--KK--71EL-152--	AC	--KK--71EL-156--
4	Gasket, Bonnet	AC	--EF--69ZB-542--	AC	--EF--69ZB-602--	AC	--EF--69ZB-712--
5	Cage	AC	--EF--69ZB-545--	AC	--EF--69ZB-605--	NS	--EF--69ZB-715--
6	Ring O, Plug	AC	--KK--71EL-230--	AC	--KK--71EL-234--	AC	--KK--71EL-242--
7	Plug & Stem	AC	--EF--69ZB-541--	AC	--EF--69ZB-601--	AC	--EF--69ZB-711--
8	Packing	AC	--EF--69ZB-543--	AC	--EF--69ZB-543--	AC	--EF--69ZB-543--

\*Vendor P/N 5963

\*\*Vendor P/N 12AX7

NOTES:

- 1 - To determine whether the Valve Assembly is a Design #1 or Design #2, obtain the Valve Assembly part number from the nameplate located on the Valve Flange.
- 2 - The complete Design #1 Electronic Steam Valve and Motor is no longer available. If required, order complete Design #2 Electronic Steam Valve and Motor (Solid State Type), and also, order a new Control Point Adjuster (--HT--24AZ-115--) and a new Temperature Sensor (--HH--19AZ-031--).



# HERMETIC ABSORPTION CHILLER

# 16JA

ELECTRONIC STEAM VALVE ( EQUAL PERCENTAGE PORT)

DESIGN #1 16JA010-068

ITEM	DESCRIPTION	LDC	VALVE SIZE		
			5B	LDC	6B
1	Valve & Motor Ass'y Includes:	NA	--EF--04JB-751--	NA	--EF--04JB-791--
	Motor Includes:		N.A.		N.A.
NI/LA	Tube*	AC	--HT--69AA-102--	AC	--HT--69AA-102--
NI/LB	Tube**	AC	--HT--69AA-111--	AC	--HT--69AA-111--
2	Linkage	AC	--EF--09BZ-017--	AC	--EF--09BZ-017--
3	Ring O, Cage	AC	--KK--71EL-162--	AC	--KK--71EL-162--
4	Gasket, Bonnet	AC	--EF--69ZB-752--	AC	--EF--69ZB-791--
5	Cage	AC	--EF--69ZB-755--	AC	--EF--69ZB-755--
6	Ring O, Plug	AC	--KK--71EL-057--	AC	--KK--71EL-057--
7	Plug & Stem	AC	--EF--69ZB-751--	AC	--EF--69ZB-751--
8	Packing	AC	--EF--69ZB-543--	AC	--EF--69ZB-543--

\*Vendor P/N 5963  
\*\*Vendor P/N 12AX7

- NOTES: 1 - To determine whether the Valve Assembly is a Design #1 or Design #2, obtain the Valve Assembly part number from the nameplate located on the Valve Flange.
- 2 - The complete Design #1 Electronic Steam Valve and Motor is no longer available. If required order complete Design #2 Electronic Steam Valve and Motor (Solid State Type), and also, order a new Control Point Adjuster (--HT--24AZ-115) and a new Temperature Sensor (--HH--19AZ-031--).



# HERMETIC ABSORPTION CHILLER

**16JA**  
010-068

ELECTRONIC STEAM VALVE (EQUAL PERCENTAGE PORT)

DESIGN #2 16JA010-068

ITEM	DESCRIPTION	VALVE SIZE					
		LDC	2 1/2B	LDC	3B	LDC	4B
	Valve & Motor Ass'y Includes:	NA	--EF--04MB-544--	NA	--EF--04MB-604--	NA	--EF--04MB-714--
1	Motor	AC	--HF--19MA-055--	AC	--HF--19MA-055--	AC	--HF--19MA-055--
2	Linkage	AC	--EF--09BZ-017--	AC	--EF--09BZ-017--	AC	--EF--09BZ-017--
3	Ring O, Cage	AC	--KK--71EL-149--	AC	--KK--71EL-152--	AC	--KK--71EL-156--
4	Gasket, Bonnet	AC	--EF--69ZB-542--	AC	--EF--69ZB-602--	AC	--EF--69ZB-712--
5	Cage	AC	--EF--69ZB-545--	AC	--EF--69ZB-605--	AC	--EF--69ZB-715--
6	Ring O, Plug	AC	--KK--71EL-230--	AC	--KK--71EL-234--	AC	--KK--71EL-242--
7	Plug & Stem	AC	--EF--69ZB-541--	AC	--EF--69ZB-601--	AC	--EF--69ZB-711--
8	Packing	AC	--EF--69ZB-543--	AC	--EF--69ZB-543--	AC	--EF--69ZB-543--

NOTE .:

- 1 - To determine whether the Valve Assembly is a Design #1 or Design #2, obtain the Valve Assembly part number from the nameplate located on the Valve Flange.



# HERMETIC ABSORPTION CHILLER

# 16JA

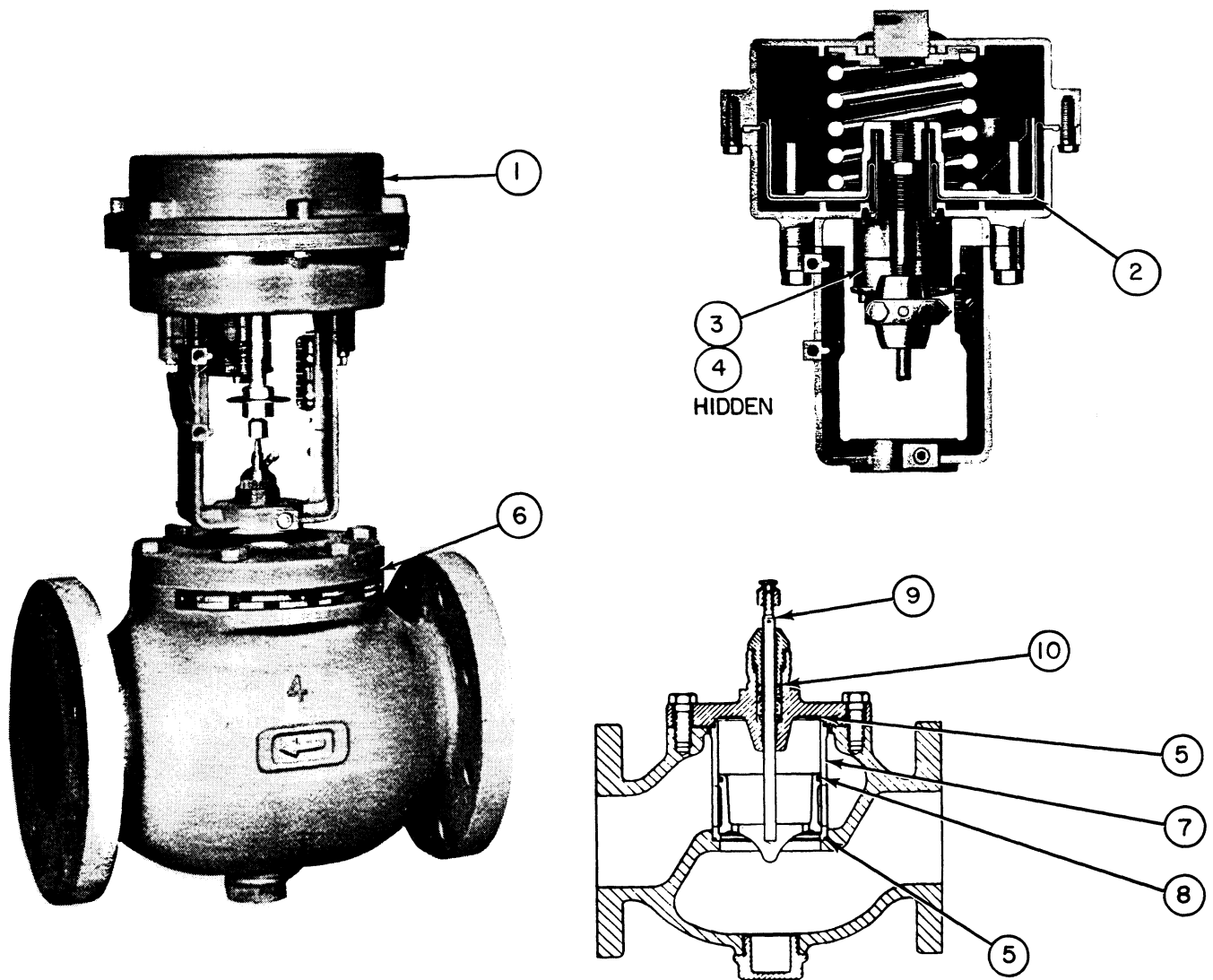
010-068

ELECTRONIC STEAM VALVE (EQUAL PERCENTAGE PORT)

DESIGN #2 16JA010-068

ITEM	DESCRIPTION	LDC	VALVE SIZE	
			5A	6A
	Valve & Motor Ass'y Included:	NA	--EF--04MB-754--	NA --EF--04MB-794--
1	Motor Includes:	AC	--HF--19MA-055--	AC --HF--19MA-055--
2	Linkage	AC	--EF--09BZ-017--	AC --EF--09BZ-017--
3	Ring O, Cage	AC	--KK--71EL-162--	AC --KK--71EL-162--
4	Gasket, Bonnett	AC	--EF--69ZB-752--	AC --EF--69ZB-791--
5	Cage	AC	--EF--69ZB-755--	AC --EF--69ZB-755--
6	Ring O, Plug	AC	--KK--71EL-057--	AC --KK--71EL-057--
7	Plug & Stem	AC	--EF--69ZB-751--	AC --EF--69ZB-751--
8	Packing	AC	--EF--69ZB-543--	AC --EF--69ZB-543--

NOTE: TO determine whether the Valve Assembly is a Design I or Design II, obtain the Valve Assembly part number from the nameplate located on Valve Flange.



**Group F - Pneumatic Steam Valve  
(Modified Linear and Equal Percentage Ports)**



# HERMETIC ABSORPTION CHILLER

**16JA**  
010-068

PNEUMATIC STEAM VALVE (MODIFIED LINEAR PORT)

16JA010-068 MACHINES

ITEM	DESCRIPTION	VALVE SIZE					
		LDC	2 1/2A	LDC	3A	LDC	4A
	Valve & Motor Ass'y Includes:	NS	--EF--61MB-002--	AC	--EF--61MB-003--	NS	--EF--61MB-004--
1	Actuator Includes:	AC	--EF--69ZB-015--	AC	--EF--69ZB-015--	AC	--EF--69ZB-015--
2	Diaphragm	AC	16JA-010---022--	AC	16JA-010---022--	AC	16JA-010---022--
3	Positioner, Pilot	AC	--EF--69ZB-025--	AC	--EF--69ZB-025--	AC	--EF--69ZB-025--
4	Spring	AC	16HA-005---022--	AC	16HA-005---022--	AC	16HA-005---022--
5	Ring O, Cage	AC	--KK--71EL-149--	AC	--KK--71EL-152--	AC	--KK--71EL-156--
6	Gasket, Bonnet	AC	--EF--69ZB-542--	AC	--EF--69ZB-602--	AC	--EF--69ZB-712--
7	Cage	NS	--EF--69ZB-544--	AC	--EF--69ZB-604--	AC	--EF--69ZB-754--
8	Ring O, Plug	AC	--KK--71EL-230--	AC	--KK--71EL-234--	AC	--KK--71EL-057--
9	Plug & Stem	AC	--EB--69ZB-541--	AC	--EF--69ZB-601--	AC	--EF--69ZB-751--
10	Packing	AC	--EF--69ZB-543--	AC	--EF--69ZB-543--	AC	--EF--69ZB-543--



# HERMETIC ABSORPTION CHILLER

# 16JA

010-068

PNEUMATIC STEAM VALVE (MODIFIED LINEAR PORT)

16JA010-068 MACHINES

ITEM	DESCRIPTION	VALVE SIZE			
		LDC	5A	LDC	6B
	Valve & Motor Ass'y Includes:	NS	--EF--61JB-005--	NS	--EF--61JB-006--
1	Actuator Includes:	AC	--EF--69ZB-015--	AC	--EF--69ZB-015--
2	Diaphragm	AC	16JA-010---022--	AC	16JA-010---022--
3	Positioner, Pilot	AC	--EF--69ZB-025--	AC	--EF--69ZE-025--
4	Spring, Pilot Positioner	AC	16HA-005---022--	AC	16HA-005---022--
5	Ring O, Cage	AC	--KK--71EL-162--	AC	--KK--71EL-162--
6	Gasket, Bonnet	AC	--EF--69ZB-752--	AC	--EF--69ZB-791--
7	Cage	AC	--EF--69ZB-754--	AC	--EF--69ZB-754--
8	Ring O, Plug	AC	--KK--71EL-057--	AC	--KK--71EL-057--
9	Plug & Stem	AC	--EF--69ZB-751--	AC	--EF--69ZB-751--
10	Packing	AC	--EF--69ZB-543--	AC	--EF--69ZB-543--



# HERMETIC ABSORPTION CHILLER

# 16JA

010-068

PNEUMATIC STEAM VALVE (EQUAL PERCENTAGE PORT)

16JA010-068 MACHINES

ITEM	DESCRIPTION	LDC	VALVE SIZE				
			2 1/2B	LDC	3B	LDC	4B
	Valve, & Motor Ass'y Includes:	NS	--EF--61JB-002--	AC	--EF--61JB-003--	NS	--EF--61JB-004--
1	Actuator Includes:	AC	--EF--69ZB-015--	AC	--EF--69ZB-015--	AC	--EF--69ZB-015--
2	Diaphragm	AC	16JA-010---022--	AC	16JA-010---022--	AC	16JA-010---022--
3	Positioner, Pilot	AC	--EF--69ZB-025--	AC	--EF--69ZB-025--	AC	--EF--69ZB-025--
4	Spring, Pilot Positioner	AC	16HA-005---022--	AC	16HA-005---022--	AC	16HA-005---022--
5	Ring O, Cage	AC	--KK--71EL-149--	AC	--KK--71EL-152--	AC	--KK--71EL-156--
6	Gasket, Bonnet	AC	--EF--69ZB-542--	AC	--EF--69ZB-602--	AC	--EF--69ZB-712--
7	Cage	AC	--EF--69ZB-545--	AC	--EF--69ZB-605--	AC	--EF--69ZB-715--
8	Ring O, Plug	AC	--KK--71EL-230--	AC	--KK--71EL-234--	AC	--KK--71EL-242--
9	Plug, & Stem	AC	--EB--69ZB-541--	AC	--EF--69ZB-601--	AC	--EF--69ZB-711--
10	Packing	AC	--EF--69ZB-543--	AC	--EF--69ZB-543--	AC	--EF--69ZB-543--



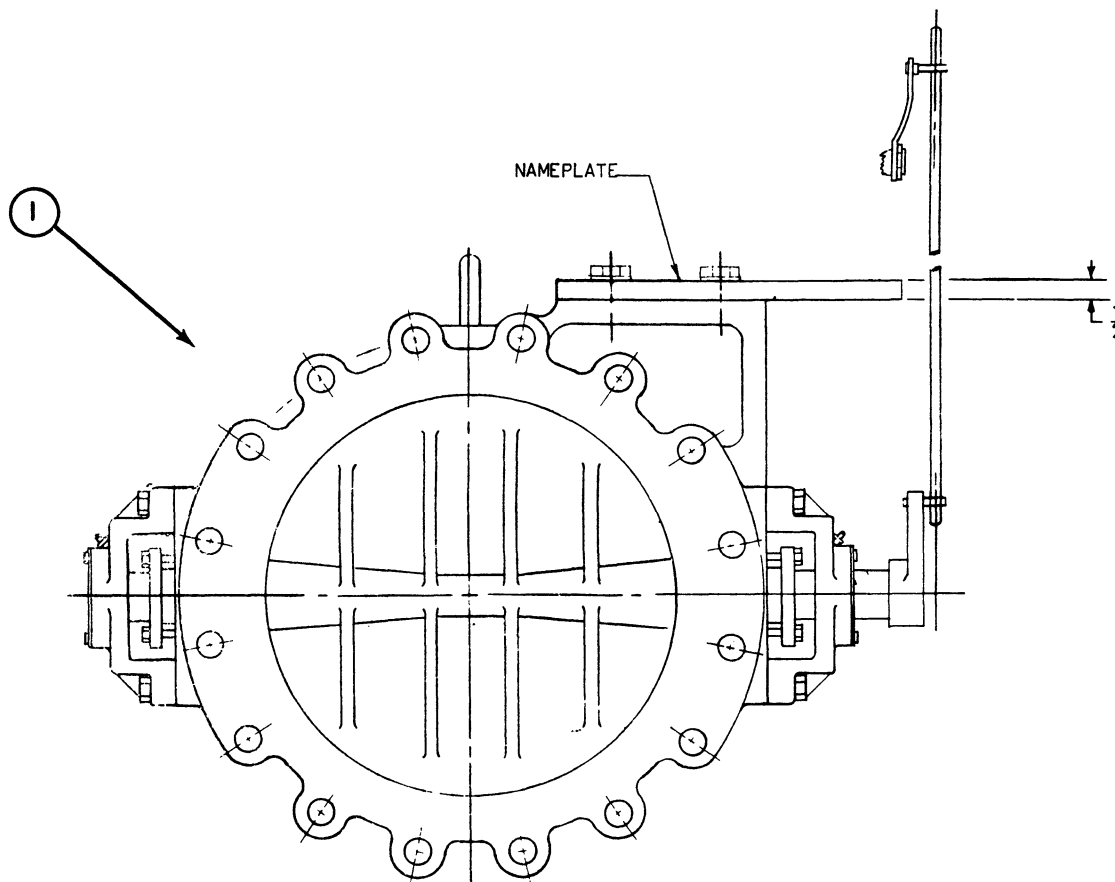
# HERMETIC ABSORPTION CHILLER

**16JA**  
010-068

PNEUMATIC STEAM VALVE (EQUAL PERCENTAGE PORT)

16JA010-068 MACHINES

ITEM	DESCRIPTION	LDC	VALVE SIZE		
			5B	LDC	6B
	Valve & Motor Ass'y Includes:	NS	--EF--61JB-005--	NS	--EF--61JB-006--
1	Actuator Includes:	AC	--EF--69ZB-015--	AC	--EF--69ZB-015--
2	Diaphragm	AC	16JA-010---022--	AC	16JA-010---022--
3	Positioner, Pilot	AC	--EF--69ZB-025--	AC	--EF--69ZB-025--
4	Spring, Pilot Positioner	AC	16HA-005---022--	AC	16HA-005---022--
5	Ring O, Cage	AC	--KK--71EL-162--	AC	--KK--71EL-162--
6	Gasket, Bonnet	AC	--EF--69ZB-752--	AC	--EF--69ZB-791--
7	Cage	AC	--EF--69ZB-755--	AC	--EF--69ZB-755--
8	Ring O, Plug	AC	--KK--71EL-057--	AC	--KK--75EL-057--
9	Plug & Stem	AC	--EF--69ZB-751--	AC	--EF--69ZB-751--
10	Packing	AC	--EF--69ZB-543--	AC	--EF--69ZB-543--



Group G - Electronic Steam Valve (Butterfly)  
(Valve Style "C")



# HERMETIC ABSORPTION CHILLER

**16JA**  
010-068

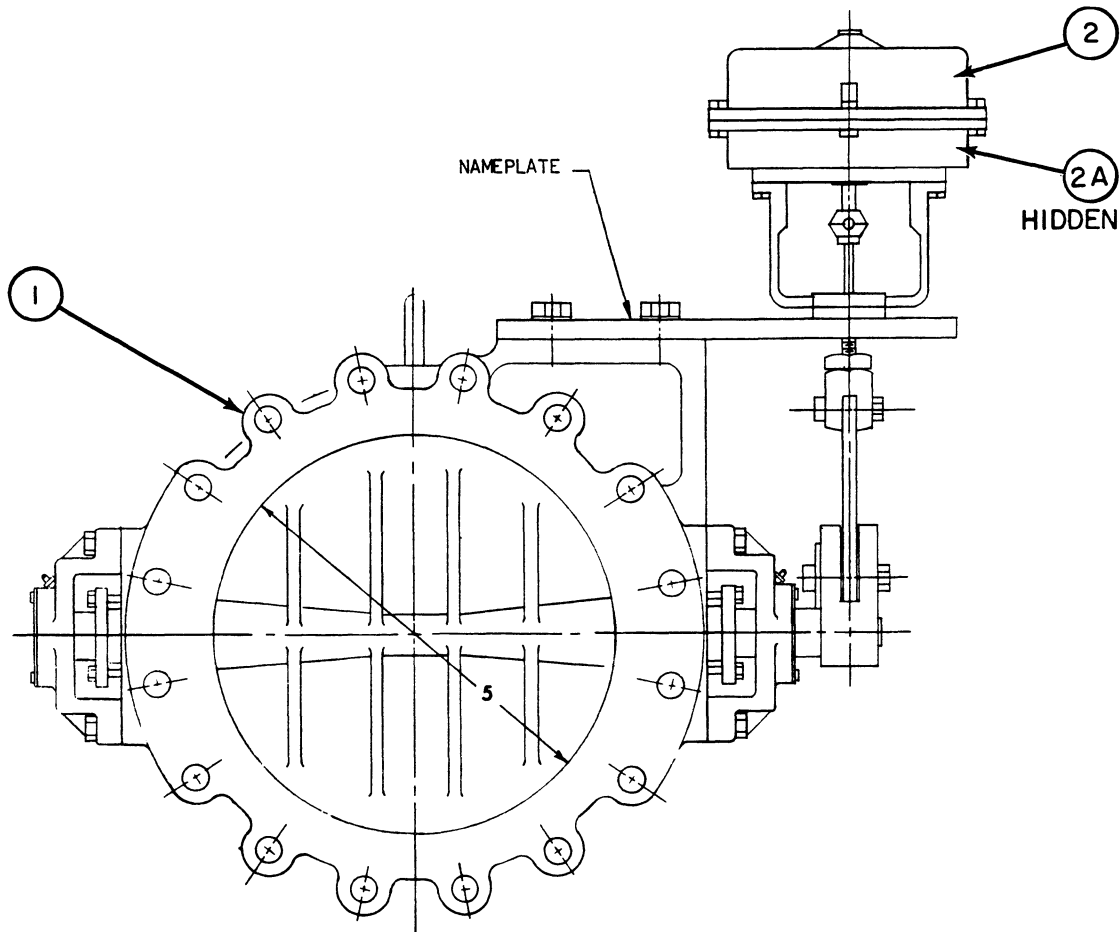
ELECTRONIC STEAM VALVE (BUTTERFLY STYLE)

16JA054-068 MACHINES

ITEM	DESCRIPTION	LDC	DESIGN #1 SEE NOTES 1 & 2	LDC	DESIGN #2 SEE NOTES 1 & 3
1.	Valve Assembly Includes:	NA	--EF--08MB-751-- (Not Available) See Note #4	NS	--EF--08MB-754--
NI/2.	Motor Includes:		See Note #5	AC	--HF--19MA-055--
NI/2A.	Tube (5963)	AC	--HT--69AA-102--		
NI/2B.	Tube (12AX7)	AC	--HT--69AA-111--		

NOTES:

- To determine which Valve Assembly is on the machine, check Valve Nameplate before ordering.
- The Design #1 Butterfly Valve Assembly (Tube Type Motor) was used on machines with Absorber Serial Number 82, 225 and lower.
- The Design #2 Butterfly Valve Assembly (Solid State Motor) was used on machines with Absorber Serial Number 82, 226 and higher.
- The complete Design #1 Butterfly Valve Assembly (Tube Type Motor) is no longer available. If required, order Design #2 Butterfly Valve Assembly (Solid State Type Motor). Also order a new Control Point Adjuster --HT--24AZ-115-- and a new Temperature Sensor HH19AZ-031.
- The Design #1 Electronic Motor (Tube Type) is no longer available, however, the Tubes are. If a complete Motor is required, order Design #2 Motor HF19MA-055. Also order a new Control Point Adjuster --HT--24AZ-115-- and a new Temperature Sensor HH19AZ-031.

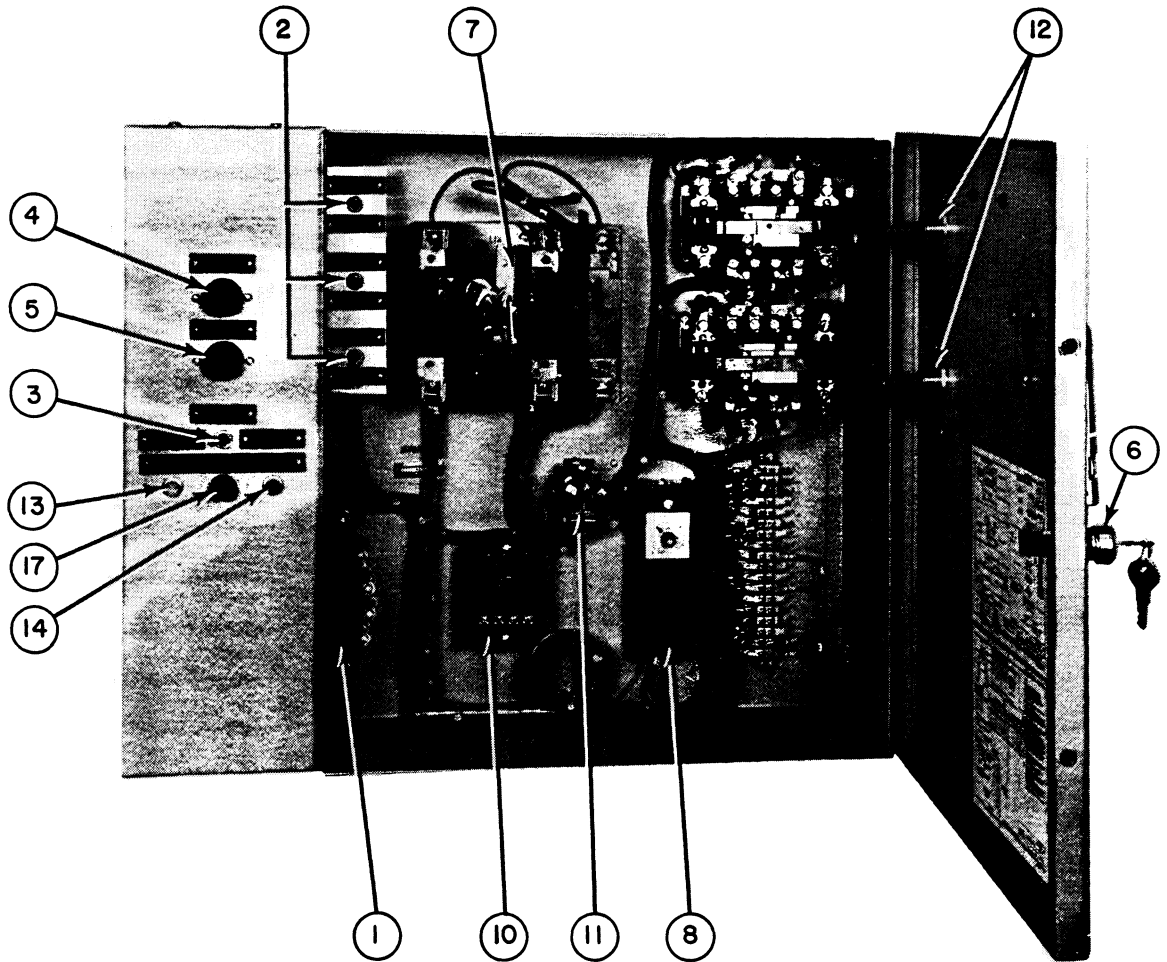


**Group H - Pneumatic Steam Valve (Butterfly)  
(Valve Style "C")**

16JA010-068 MACHINES

ITEM	DESCRIPTION	PART NUMBER	LDC	QUANTITY
	Valve & Actuator Includes:	16JB021---201--	AC	See Note
1.	Valve	16JB-010--2222--	NS	1
2.	Actuator Includes:	16JB-010--2 322--	NS	1
2A.	Diaphragm	16JB-010---022--	AC	1

NOTE:  
Per job requirement.



Group J - Electronic Control Panel Design #1



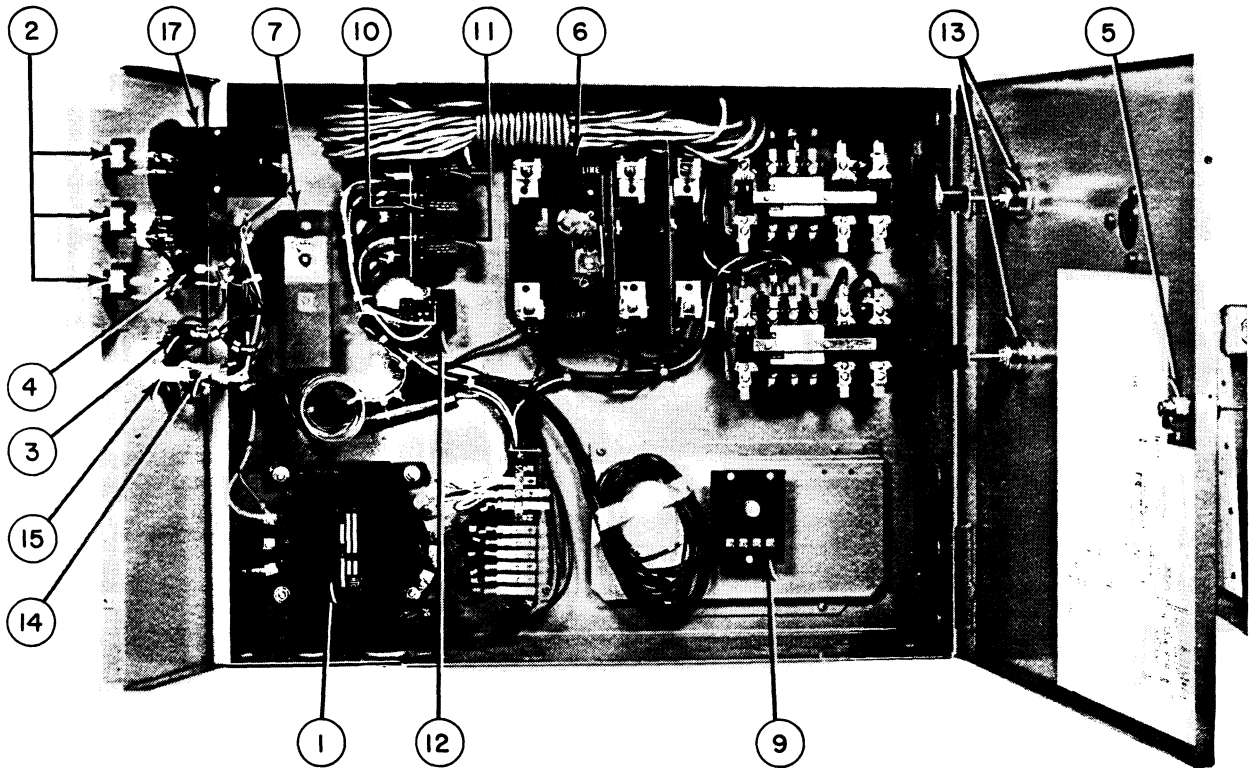
# HERMETIC ABSORPTION CHILLER

**16JA**  
010-068

ELECTRONIC CONTROL PANEL

(DESIGN # I)

ITEM	DESCRIPTION	QTY	LDC	PART NUMBER
1	Transformer	1	AC	16JA-010---222--
2	Sw Toggle	3	AC	--HR--53AA-001--
3	Sw Toggle	1	AC	--HR--53AE-070--
4	Sw Toggle	1	AC	16JB-660---022--
5	Sw Toggle	1	AC	16JB-660---021--
6	Lock, Door (Corbin No. 15760XC45)	1	NS	PROCURE LOCALLY
7	Sw Toggle, Fused Disconnect	1	AC	--HR--61EZ-010--
8	Controller, Temperature	1	AC	--HH--22AG-106--
NI/9	Well, (For Item 8)	1	NS	16JA-010---122--
10	Adjuster, Control Point			
	Motor Vacuum Tube	1	AC	--HT--24AA-050--
	Motor Solid Stat	1	AC	--HT--24AZ-115--
11	Relay Power	1	AC	--HN--61UZ-004--
12	Button, Reset	2	AC	--HR--73AZ-020--
13	Light, Yellow	1	AC	--HY--19AZ-005--
14	Light, Red	1	AC	--HY--19AZ-002--
NI/15	Thermostat,			
	Motor Vacuum Tube	1	AC	--HH--19AZ-020--
	Motor Solid State	1	AC	--HH--19AZ-031--
NI/16	Indicator, Elapsd Time; 60Hz	1	AC	19EA-660---035--
	50Hz	1	NS	--HK--28TA-116--
17	Fuse Holder	1	AC	--HY--12FU-021--
NI/18	Fuse, (Bussman - GLH-10A)	1	NS	PROCURE LOCALLY



**Group K - Electronic Control Panel Design #2**



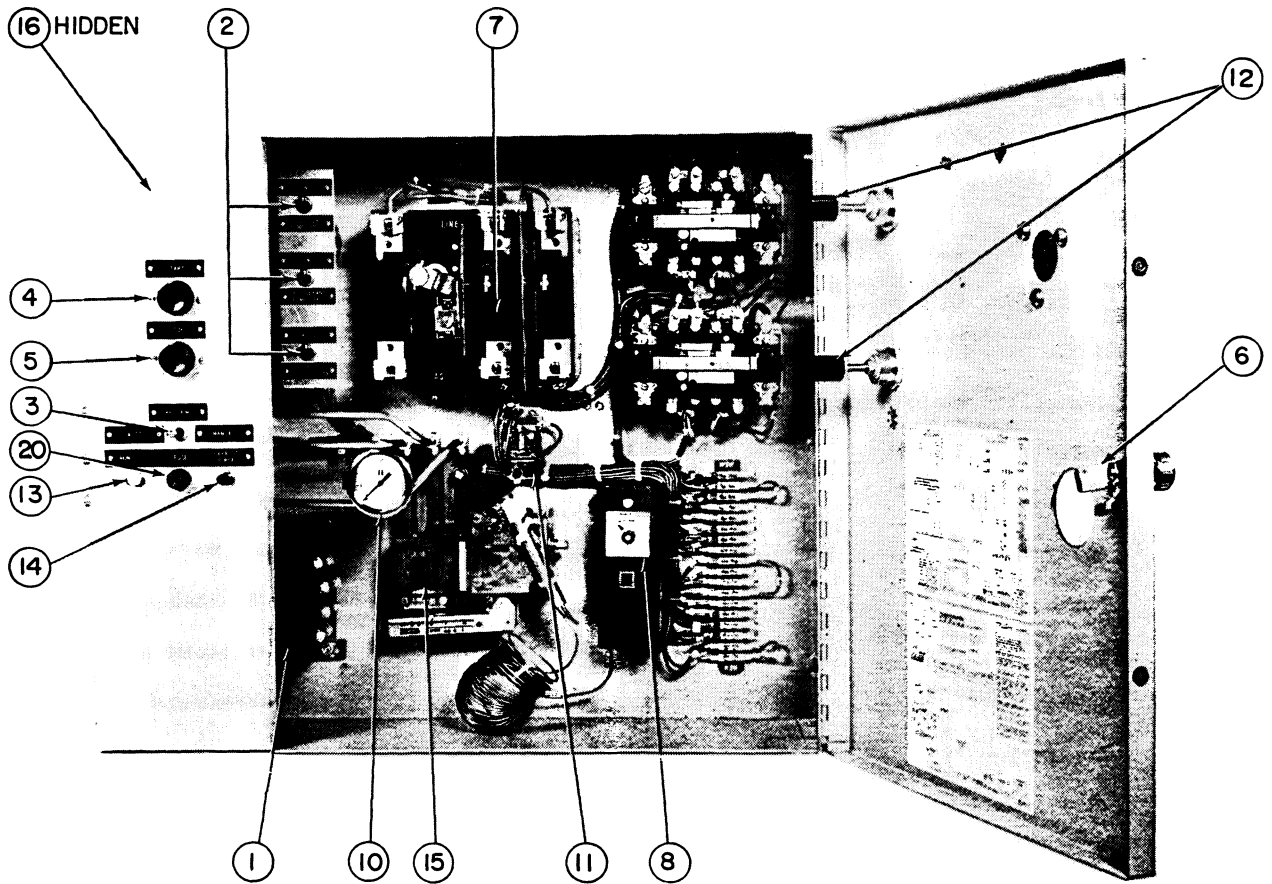
# HERMETIC ABSORPTION CHILLER

# 16JA

010-068

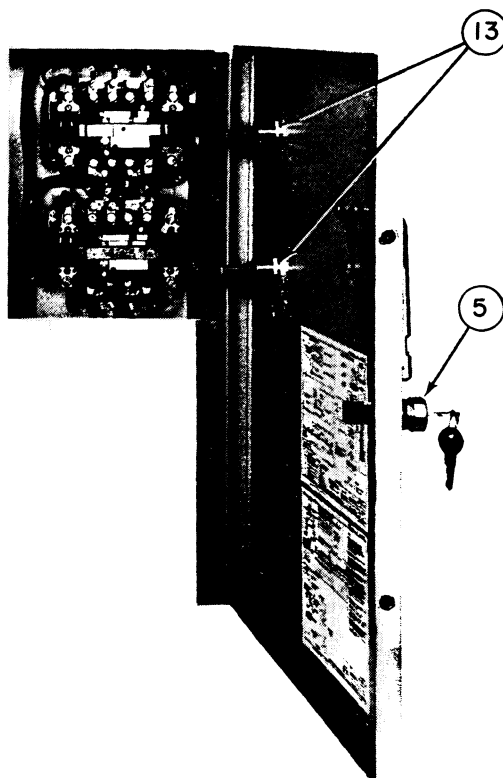
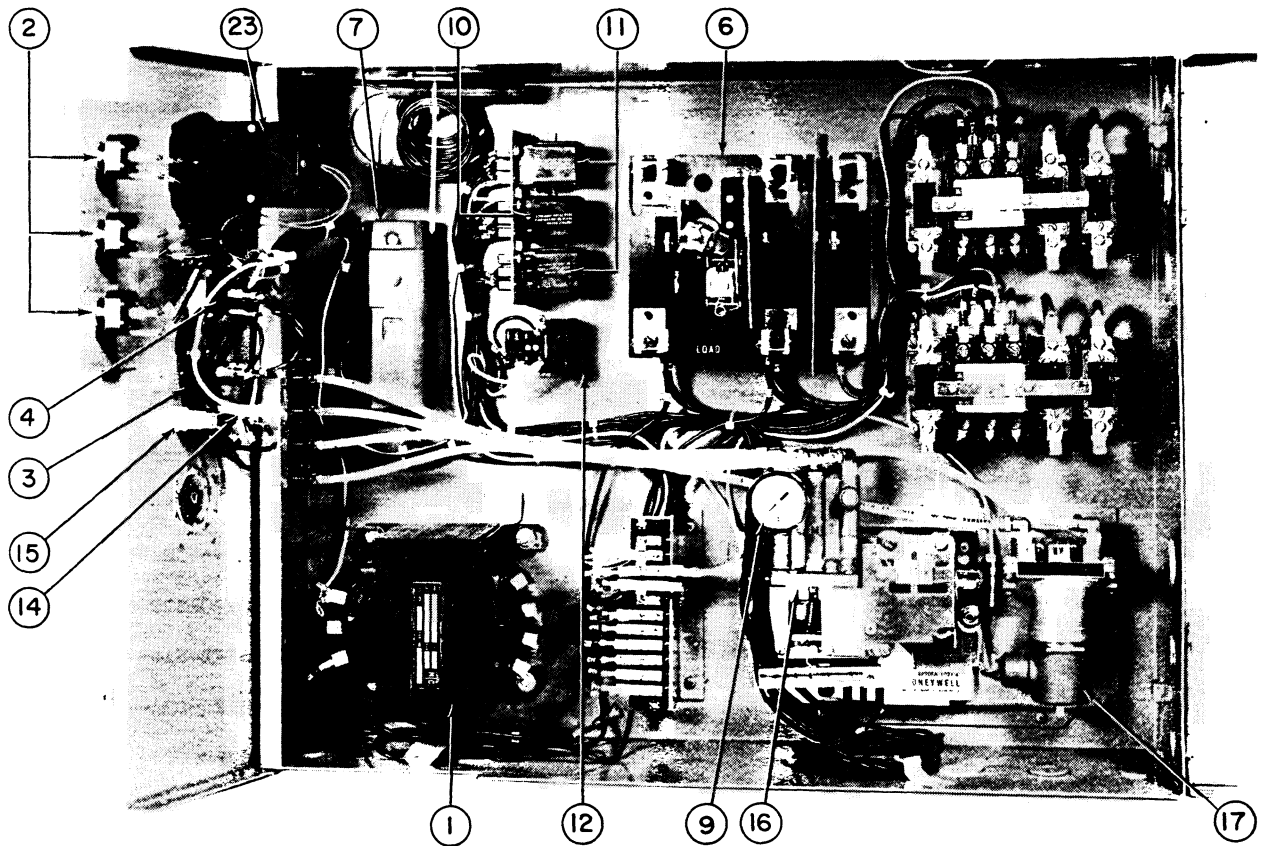
## ELECTRONIC CONTROL PANEL (DESIGN #2)

ITEM	DESCRIPTION	QTY	LDC	PART NUMBER
1	Transformer	1	AC	16JA-010---222--
2	Sw Toggle	3	AC	--HR--53AA-001--
3	Sw Toggle	1	AC	--HR--53AE-081--
4	Sw Toggle	1	AC	--HR--54AF-042--
5	Lock, Door (Corbin No. 15760XC45)	1	NS	Procure Locally
6	Sw Toggle, Fused Disconnect	1	AC	--HR--61EZ-010--
7	Controller, Temperature	1	AC	--HH--22AG-106--
NI/8.	Well (For Item 7)	1	NS	16JA-010---122--
9	Adjuster, Control Point			
	Motor Vacuum Tube	1	AC	--HT--24AA-050--
	Motor Solid State	1	AC	--HT--24AZ-115--
10	Relay Pilot Dty	1	AC	--HN--61KL-615--
11	Relay Power	2	AC	--HN--61KL-031--
12	Relay Tim Delay	1	AC	--HN--67FK-003--
13	Button, Reset	2	AC	--HR--73AZ-020--
14	Light, Yellow	1	AC	--HY--19AZ-005--
15	Light, Red	1	AC	--HY--19AZ-002--
NI/16	Thermostat			
	Motor Vacuum Tube	1	AC	--HH--19AZ-020--
	Motor Solid State	1	AC	--HH--19AZ-031--
17	Indicator, Elapsed Time; 60Hz	1	AC	19EA-660---035--
	; 50Hz	1	NS	--HK--28TA-116--
NI/18.	Fuse Holder	1	AC	--HY--12FU-021--
NI/19.	Fuse (Bussman GLH-10A)	1	NS	Procure Locally



**Group L - Pneumatic Control Panel Design #1**





**Group M - Pneumatic Control Panel Design #2**



# HERMETIC ABSORPTION CHILLER

**16JA**  
010-068

PNEUMATIC CONTROL PANEL

(Design #2)

ITEM	DESCRIPTION	QTY	LDC	PART NUMBER
1	Transformer	1	AC	16JA-010---222--
2	Sw Toggle	3	AC	--HR--53AA-001--
3	Sw Toggle	1	AC	--HR--53AE-081--
4	Sw Toggle	1	AC	--HR--54AF-042--
5	Lock, Door (Corbin No. 15760XC45)	1	NS	Procure Locally
6	Sw Toggle, Fused Disconnect	1	AC	--HR--61EZ-010--
7	Controller, Temperature	1	AC	--HH--22AG-106--
NI/8	Well (For Item 7)	1	AC	16JA-010---122--
9	Gauge, Pressure	1	AC	--KM--01AQ-320--
10	Relay Pilot Dty	1	AC	--HN--61KL-615--
11	Relay Power	2	AC	--HN--61KL-031--
12	Relay Tim Delay	1	AC	--HN--67FK-003--
13	Button, Reset	2	AC	--HR--73AZ-020--
14	Light, Yellow	1	AC	--HY--19AZ-005--
15	Light, Red	1	AC	--HL--19AZ-002--
16	Controller	1	AC	--HL--15ME-100--
17	Sw Pneumatic	1	AC	--HL--73DC-009--
NI/18	Sensor	1	AC	--HL--15ME-100--*
NI/19	Tube, (Imperial-Eastman #44P)	90'	NS	Procure Locally
NI/20	Connector, (For Item 19)	7	NS	--DD--05CA-053--
NI/21	Fuse Holder	1	AC	--HY--12FU-021--
NI/22	Fuse	1	NS	Procure Locally
23	Indicator, Elapsed Time; 60 HZ ; 50 HZ	1 1	AC NS	19EA-660---035-- --HK--28TA-116--

\*The Well for Sensor HL15ME110 is part number --HL--79MZ-100--



# HERMETIC ABSORPTION CHILLER

**16JA**  
010-068

## CONTROL PANEL CONTACTORS AND COMPONENT PARTS

ITEM	DESCRIPTION		QTY	LDC	PART NUMBER
1	Starter, Original	30 AMPS	2	NA	--HN--03LC-510-- (ACS-3303-U-20-C)
2	Contact Kit	30 AMPS	6	NS	--HN--79LZ-120-- (34300-301)
3	Relay Overload	30 AMPS	2		--HN--68JX-003-- (32000-309C)
4	Coil Holding	30 AMPS	2	NS	--HN--72LZ-251-- (34320-501)

## REPLACEMENT CONTACTORS AND COMPONENT PARTS

ITEM	DESCRIPTION		QTY	LDC	PART NUMBER
1	Contactor	25 AMPS	2	AC	--HN--53CB-115--* (A77-288502A-24)-A.O. Smith (Clark Controller) (CR153BD72FEB)-General Electric (ACC-230-8004)-Arrow Hart & Hegeman (9560H1495A)-Cutler Hammer
2	Contact Kit	25 AMPS	6	AC	--HN--79CZ-030-- (A77-290002A)-A.O. Smith (Clark Controller)
		25 AMPS	2	NS	--HN--79HZ-206-- (55-152313G118)-General Electric
		25 AMPS	6	NS	--HN--79LZ-122-- (34220-301)-Arrow Hart & Hegeman
		25 AMPS	6	AC	--HN--79AZ-003-- (6-172-51)-Cutler Hammer
3	Relay Overload	25 AMPS	2	AC	--HN--68JX-003-- (48DC38AA4S)-A.O. Smith (Clark Controller) (48DC38AA4S)-General Electric (48DC38AA4S)-Arrow Hart & Hegeman (48DC38AA4S)-Cutler Hammer
4	Coil Contactor	25 AMPS	2	AC	--HN--72CZ-101-- (TB153-1) - A.O. Smith (Clark Controller)
		25 AMPS	2	NA	--HN--72HZ-224-- (55-2G72)-General Electric
		25 AMPS	2		Not Stocked (34220-1501)-Arrow Hart & Hegeman
		25 AMPS	2	NA	--HN--72AZ-301-- (9-1590-38)-Cutler Hammer

- NOTES: 1. The original 30 AMP Starter (P/N --HN--03LC-510--) is no longer available.  
 2. The --HN--68LZ-012-- (Arrow Hart & Hammer) Relay Overload (3 req'd) is a Single Block Overload, and is replaced by the --HN--68JX-003 (Furnas) Relay Overload (1 req'd) which is a 1-Block Overload mounted remotely from the Starter and/or Contactor.

\* Replaced by --HN--53CD-115-- (40 AMPS Contactor) Item #1 includes items #2: #4  
 Item #3 requires (3) Motor Overload Heaters which are selected based on machine size and operating Voltage.

Item #1 - Includes items #2: #4

Item #3 - Requires (3) Motor Overload Heaters which are selected based on machine size and operating Voltage.



# HERMETIC ABSORPTION CHILLER

# 16JA

010-068

SERVICE REPLACEMENT CONTACTORS AND COMPONENT PARTS

ITEM	DESCRIPTION	QTY	LDC	PART NUMBER
1	Contactors 40 AMPS	2	AC	--HN--53CD-115-- (A77-288508A-19)-A.O. Smith (Clark Controller) (CR153DA072EJB)- General Electric (9560H1501A) - Cutler Hammer
2	Contact Kit 40 AMPS	6	AC	--HN--79CZ-040-- (A77-290003A)-A.O. Smith (Clark Controller)
	40 AMPS	2	NS	--HN--79HZ-209-- (55-152313G131)- General Electric
	40 AMPS	6	AC	--HN--79AZ-004 (6-172-53) - Cutler Hammer
3	Relay Overload 40 AMPS	2	AC	--HN--68JX-003-- (48DC38AA4S) - A.O. Smith (Clark Controller) (48DC38AA4S) - General Electric (48DC38AA4S) - Cutler Hammer
4	Coil Contactor 40 AMPS	2	AC	--HN--72CZ-101-- (TB153-1) - A.O. Smith (Clark Controller)
	40 AMPS	2	NS	--HN--72HZ-224-- (55-2G72) - General Electric
	40 AMPS	2	NS	--HN--72AZ-341-- (9-1814-21) - Cutler Hammer

SEE NOTES ON PREVIOUS PAGE



# HERMETIC ABSORPTION CHILLER

# 16JA

010-068

## MISCELLANEOUS PARTS

ITEM	DESCRIPTION	LDC	PART NUMBER
1	Alcohol Haz. Octyl Alcohol (1 gallon)	AC	16-B--4--1551--
2	Brush, Tube Cleaning 3/4" O.D. Tubes	AC	--KC--21AH-105--
	5/8" O.D. Tubes	AC	--KC--21AH-151--
3	Bromide, Lithium (30 gallons) Non-Inhibited	AC	--PS--16CP-030--
	Chromate Inhibited	AC	--PS--25AL-253--
4	Bromide, Lithium (10 gallons) Non-Inhibited	AC	--PS--20BL-260--
	Chromate Inhibited	AC	--PS--25AL-251--
5	Hydroxide, Lithium - Hydrous (6-2 lb. Bottles) (For adjusting Solution Alkanlinity)	AC	16JB-032---003006
6	Gasket, (Ethylene Propylene) 1/32" x 3' x 5'	AC	--QR--01--373532
7	Gasket, (Ethylene Propylene) 1/16" x 3' x 5'	AC	--QR--01--373516
8	Package, Sample Test Bottle	AC	17-M--32---231--
9	Nitrate, Inhibitor #2 (36 grams) Lithium Nitrate	AC	--PV--07CZ-036012
10	Nitrate, Inhibitor #2 (180 grams) Lithium Nitrate	AC	--PV--07CZ-180006
11	Chromate, Lithium Inhibitor #4 (4-one Gal. Containers)	AC	--PS--25FL-251004
12	Sealant, Weld	AC	19EA-680---002--
13	Tube, Purge Exhaust	AC	16HA-005--1949--
14	Coupling, Purge Exhaust	AC	--KA--70PP-050--
15	Kit Haz, Solution Test "Chromated"	AC	--KC--16MZ-010--
16	Filter Kit, (For item 15)	AC	16JB-660---011--



## ORDERING INSTRUCTIONS

- A. All orders and inquiries should include the complete model and serial number of the unit on which the parts are to be used, and the part number and description of each part.

## GENERAL NOTES

1. Casing parts and panels are not normally stocked, but are available upon request while in production. Requests for casing parts and panels, for units no longer in production, must be cleared through the CAC Parts Center for availability prior to submitting an order.  
Certain "sheet metal" parts are omitted in the interest of simplicity as orders for them are so infrequent that a simple description of the part, plus the model and serial number of the unit, will be acceptable.
2. Complete "Accessory Packages" or "F.I.O.P.'s" (Factory-Installed Option Plan) are not normally stocked or supplied by the CAC Parts Center. (Refer to "Master Price Pages" and order from: Carrier Air Conditioning Co., Order Dept.)  
Accessory Packages and F.I.O.P.'s are listed in this catalog only for reference and to assist in the selection and ordering of components.
3. The replacement parts listed in this catalog are "Carrier Specified Parts" and, as a result of "standardization," may not be identical to the original part furnished on the equipment.
4. Letter designations (appearing in the LDC column preceding the part number column) are used throughout this catalog to represent the classification of those parts. These letter designations are listed below for ease of interpretation and identification. LDC designation in effect when original catalog is issued. Contact your Order Correspondent for latest parts availability.

AC — Available Component

AP — Accessory Package

FIOP — Factory-Installed Option Plan

FF — Field Fabricate

MP — Multiple Package — Order sufficient number of packages to meet the unit requirements listed in the "Used On" column. Refer to Price Pages for order quantity.

NI — Not Illustrated

NA — Part is Not Available

NPS — New Part or Item that is Stocked

NPN — New Part or Item that is Not Stocked

NS — Not Stocked

NSS — Not Sold Separately — Order complete assembly

SM1 — Sheet Metal 1. Current production unit. Available production component. Normal lead times. Order will be placed on factory for delivery after next production run.

SM2 — Sheet Metal 2 — Obsolete production unit. May be supplied on a special order basis for a period up to two years following last production run. Longer lead times than SM1. Price and delivery will be supplied to the customer for his approval before placing the order. Where customer does not want to place order because of excessive cost, we will supply drawings, if he so requests.

SM3 — Obsolete production unit. Tooling is not available, or fabrication cost excessive. Part no longer available. Drawings of these parts will be made available on request.