

## 1. Pumps

No	Part No.	PART NAME	Q'TY
P1	PPM04CI0900	SOLUTION PUMP	1
P2	PPM05CI0900	REFRIGERANT PUMP	1
P3	PPM01TE0040	VACUUM PUMP	1
P4	PPM01TE0050	V-BELT for VACUUM PUMP	1
P5	PPM01TE0060	OIL for VACUUM PUMP	2.5 L

## 2. Valves

No	Part No.	PART NAME	Q'TY
V1	EC33BC025	SWING CHECK VALVE	1
V2	EC33BC032	SWING CHECK VALVE	1
V3	EC33BC040	SWING CHECK VALVE	1
V4	C01PP-60812	DIAPHRAGM VALVE	4
V5	C01PP-61812	DIAPHRAGM	4
V6	C01PP-54785	ANGLE VALVE	2
V7	C01PP-54786	ANGLE VALVE	1
V8	C01PP-54788	ANGLE VALVE	2
V9	C01PP-54789	ANGLE VALVE	1
V10	16DN033300410	SERVICE VALVE	6
V11	16DN033300420	SERVICE VALVE	1

## 3. Water Box Gaskets

No	Part No.	PART NAME	Q'TY
G2	16DNP01239290	Gasket for Absorber	2
G3	16DNP01838935	Gasket for Condenser	2
G4	16DN01239282	Gasket for Evaporator	2

## 4. SIGHT GLASS/ PALLADIUM CELL/ FUSIBLE PLUG/ SOLUTION

No	Part No.	PART NAME	Q'TY
O1	16DN033391690	COATING GLASS, S/G	2
O2	16DN033391700	GASKET, S/G	2
O3	16DN018399820	Pd CELL ASSY	1
O4	HT32ZZ170	PALLADIUM HEATER	1
O5	CSP-N0102	FUSIBLE PLUG	1
O6	2282010101	SOLUTION	1250 kg
O7	2282020101	REFRIGERANT	280 kg
O8	C01PP-5586	OCTYL ALCOHOL	5 L

## 5. SENSORS/ SWITCHES

No	Part No.	PART NAME	Q'TY
S1	HH79NZ047	TEMP. SENSOR	10
S2	HH79NZ070	TEMP. SENSOR	3
S3	HH79N072	CABLE ASSY	13
S4	PSC03CU001 A	ELECTRODE	3
S5	HK06ZC033	DIFF. PRESSURE S/W	1
S6	C01PP-57492	TEMPERATURE SWITCH	2
S7	P70CA-4C	PRESSURE SWITCH	1
S8	CSP-M07431	TEMPERATURE SWITCH	1
S9	PGE01VJ0010	COMPOUND GAGE	1

## 6. CONTROL PANEL

No	Part No.	PART NAME	Q'TY
C1	CEPL130445-01	ICVC MODULE	1
C2	CEPL130260-02	CCM MODULE	3
C3	ADM1005E	VFD	1
C4	16DNP012-398500	Control Transformer (460-115V)	1
C5	16DNP012-398510	Control Transformer (115-24V)	1
C6	16DNP012-398520	Control Transformer (460-24V)	1
C7	16DNP012-398600	CONTROL RELAY	15
C8	16DNP012-398610	CONTROL RELAY SOCKET	15
C9	16DNP012-398650	Magnetic Contactor	1
C10	16DNP012-398700	NFB (Ref. 3 pole)	1
C11	16DNP012-398710	NFB (Vac. 3 pole)	1
C12	16DNP012-398720	NFB (Sol inv. 3 pole)	1
C13	16DNP012-398730	NFB (Blower. 3 pole)	1
C14	16DNP012-398740	NFB (TR1, 3 pole)	1
C15	16DNP012-398750	NFB(TR3, 3pole)	1
C16	16DNP012-398760	NFB (1 pole)	7
C17	16DNP012-398770	NFB busbar (9 poles)	1
C18	16DNP012-398780	NFB busbar (6 poles)	1
C19	16DNP012-398800	NFB aux. connection	1
C20	16DNP012-398810	NFB aux. Contact	1
C21	16DNP012-398820	DISCONNECT SWITCH	1
C22	16DNP012-398830	NOIZE FILTER	1
C23	16DNP012-398840	LEVEL CONTROL RELAY	1
C24	16DNP012-398850	LAMP-1	1
C25	16DNP012-398870	PUSH BUTTON S/W (RED)	1
C26	16DNP012-398880	PUSH BUTTON S/W (GREEN)	1

## 7. DIVERTER VALVE

No	Part No.	PART NAME	Q'TY
D1	16DNP012-398400	BLOWER	1
D2	16DNP012-398410	ACTUATOR	1
D3	16DNP012-309120	CHECK VALVE ASSY	1
D4	16DNP012-399300	BEARING	4

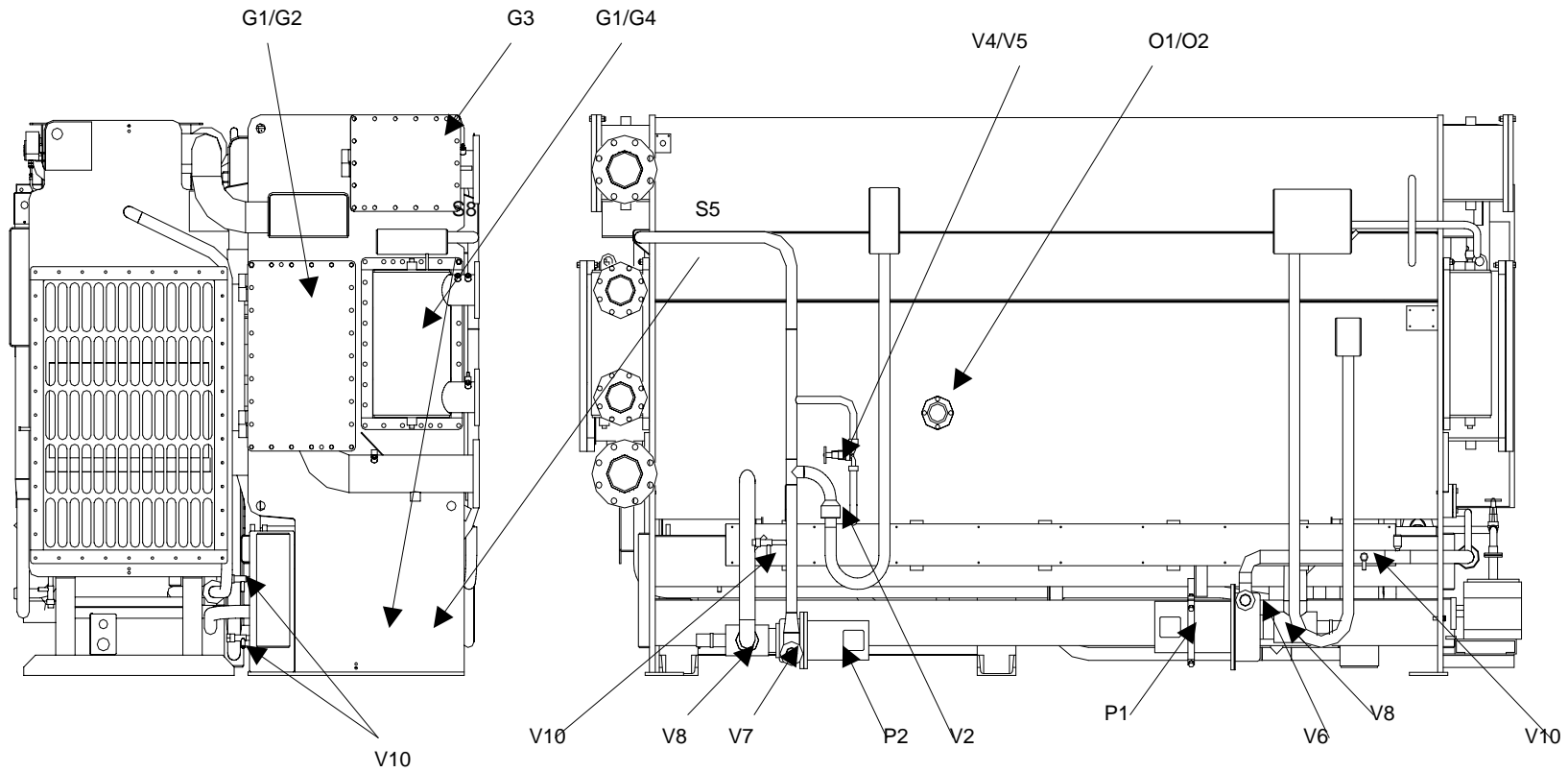


Fig. 1 Valve and Components Location, Rear and Side Views

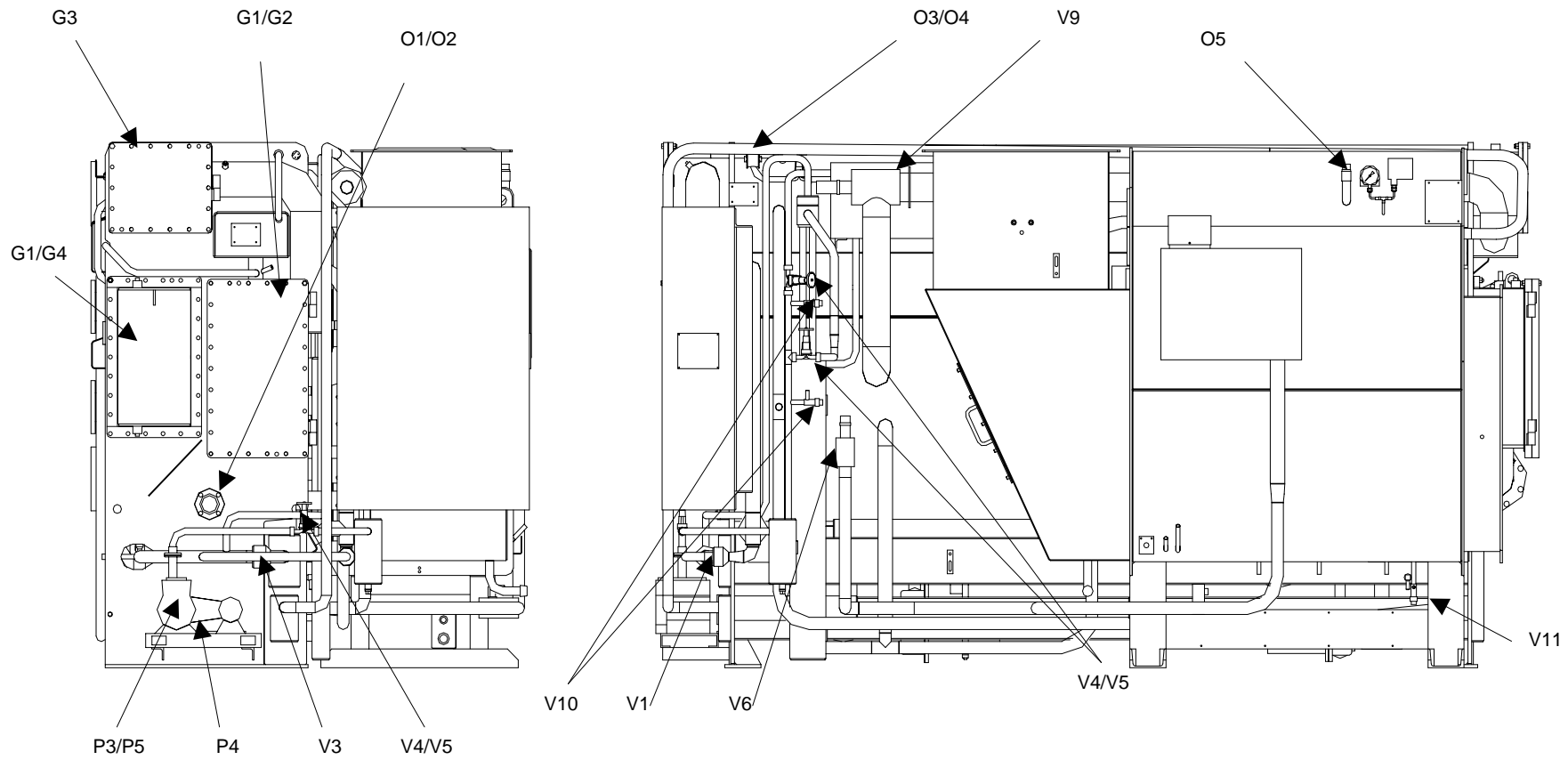
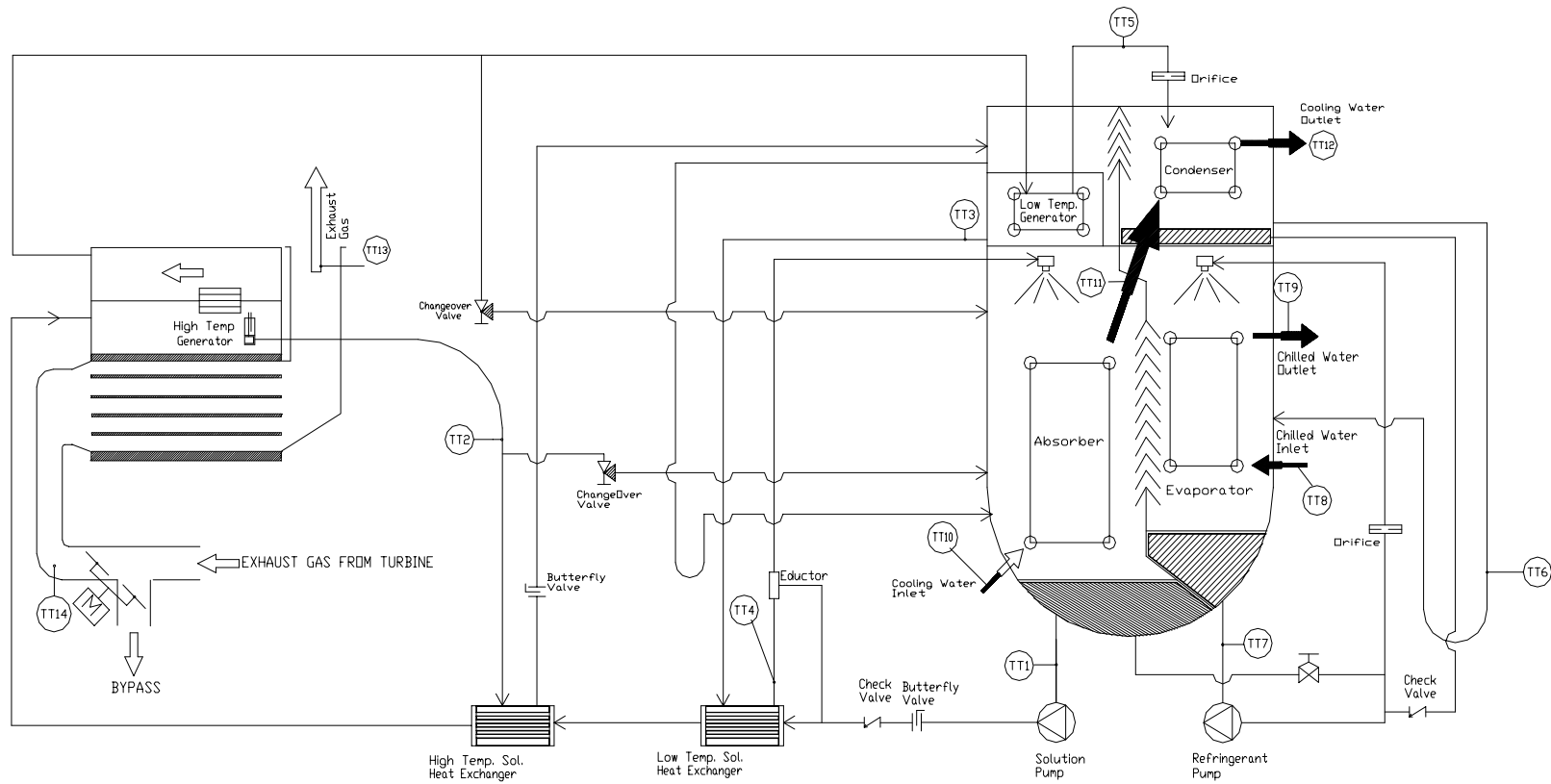


Fig. 2 Valve and Components Location, Front and Side Views



(\*) S1 : TT1~TT13 (except TT2/TT3/TT13), S2 : TT2/TT3/TT13

Fig. 3 Temperature Sensor Location

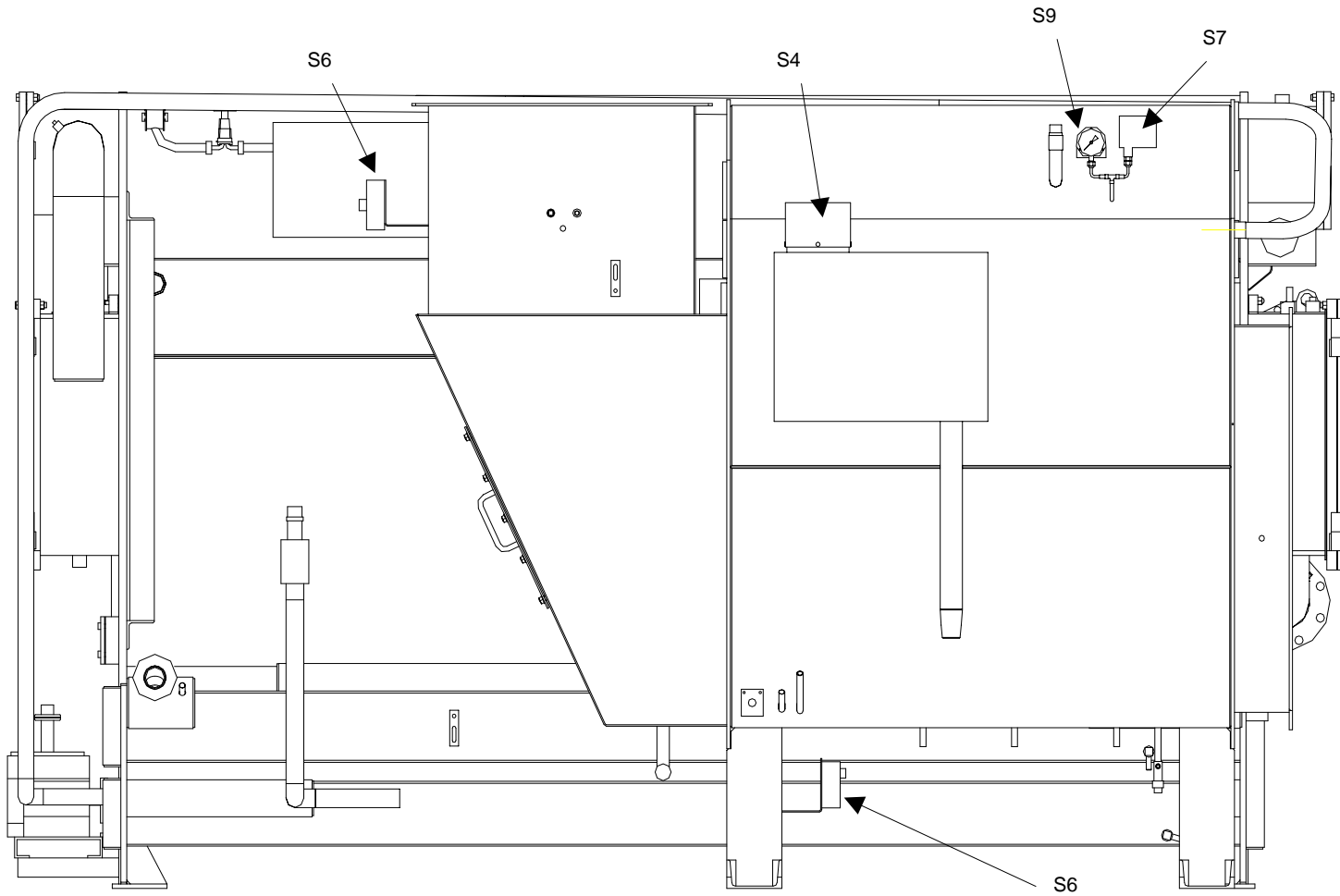


Fig. 4 Switches Location, Side View

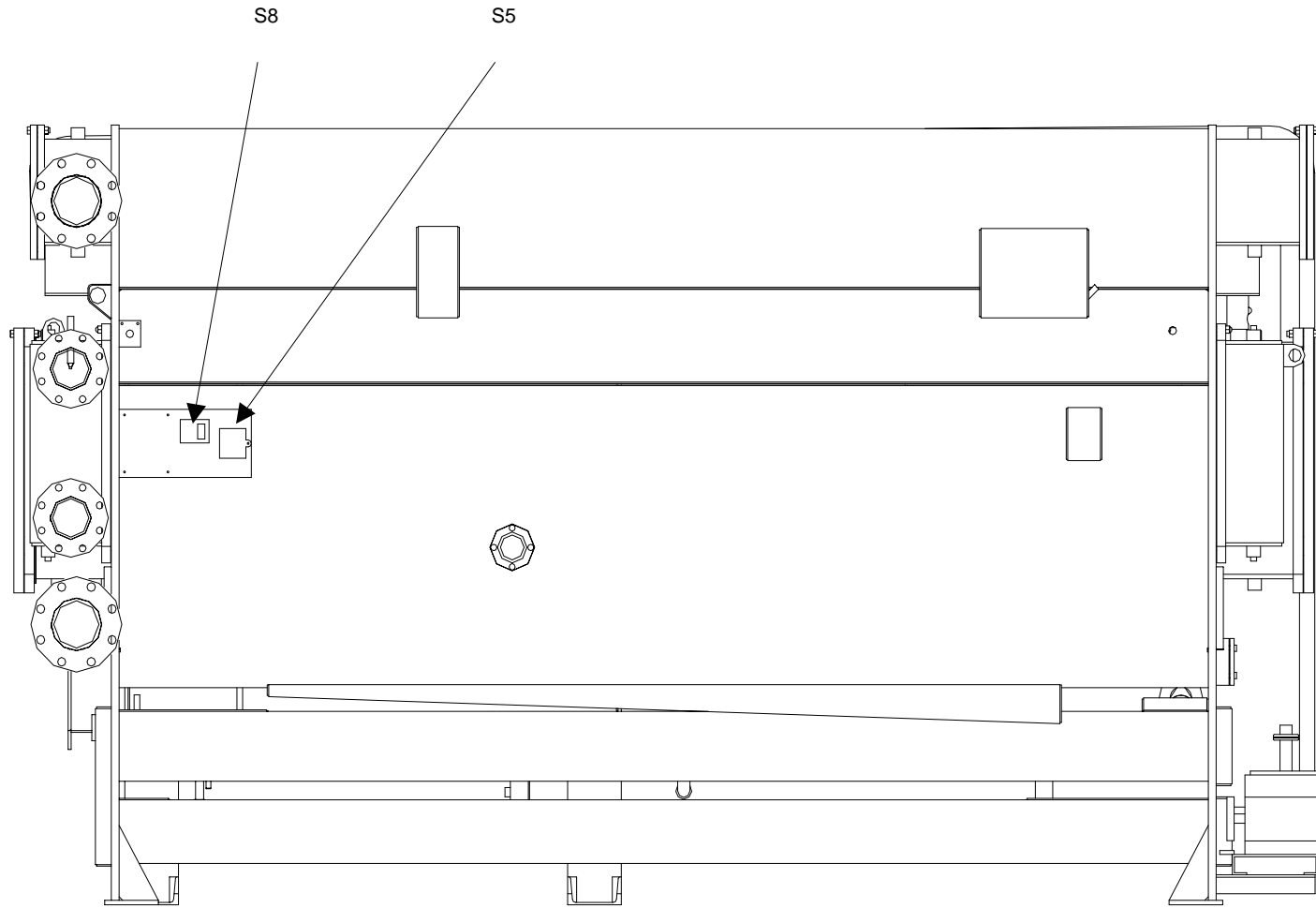


Fig. 5 Switches Location, Side View



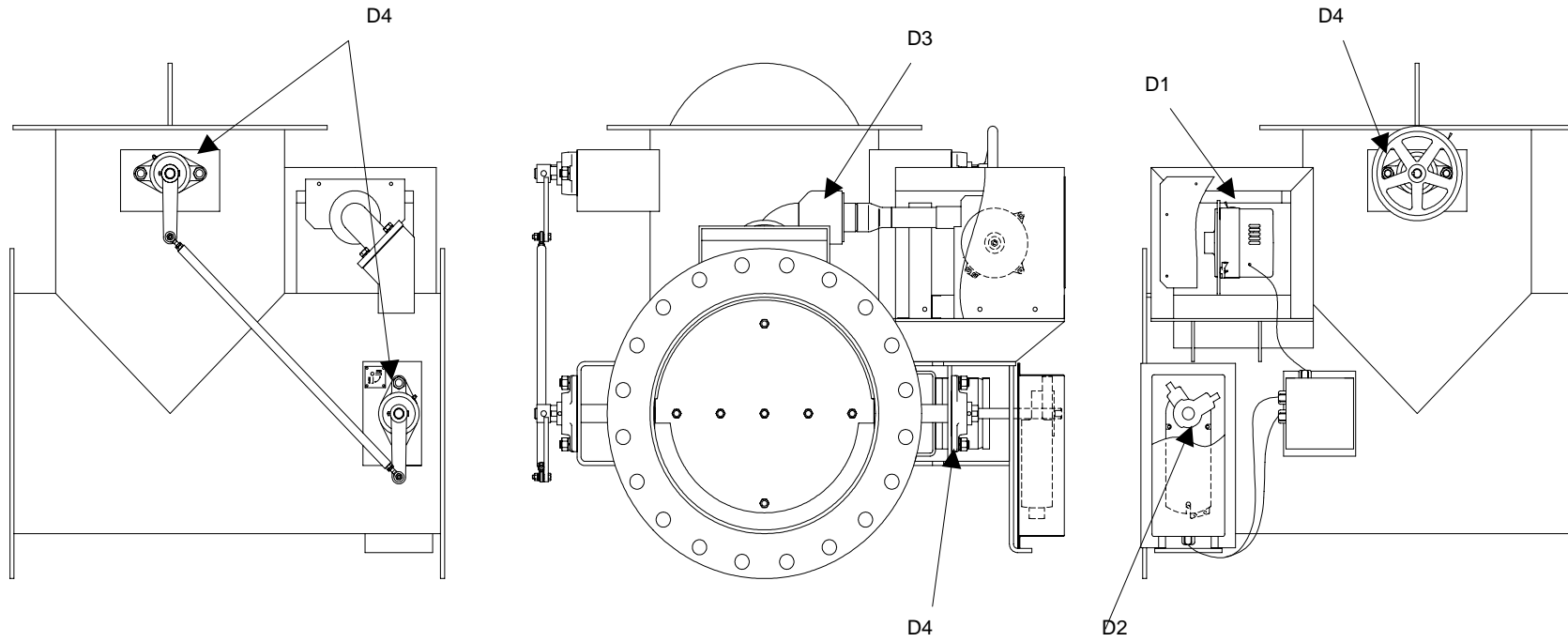


Fig. 7 Diverter Valve, Rear, Left and Front Views