

Title: 17/19 DK/DM EVAPORATOR TEMPERATURE SENSOR ERROR

Number: C8712
Date: 5/11/87
Supersedes:
Date:

Models Affected: MODELS 17/19 DK/DM

PURPOSE

Provide information and instructions regarding correction of oversize evaporator sensor flanges

BACKGROUND

As part of a change to improve the operation of DM diffuser wall controls, the evaporator temperature sensor for 17/19 DK/DM heat exchangers has been revised. This revision is described in Bulletin C8708.

The change was initiated the week of March 23. On May 1 it was discovered that the evaporator sensor mounting flanges were being cut approximately 0.2 inches too long. A list of 136 units with long sensor flanges is attached to this bulletin. A list of 23 units which have long sensor flanges but which were modified in accordance with this bulletin before they were shipped is also provided.

RECOMMENDATIONS

All of the 136 units which were shipped before the problem was discovered should be modified by installing a new evaporator temperature sensor. To compensate for the added length of the sensor flange, the heat shrink sleeve must be cut back to allow the sensor to be inserted an additional 0.2 inches, (see Figure I). A new sensor, (HH79NZ022), and a new fitting, (DC99RA015), are required.

A notice and copy of this bulletin should be placed in the job file for each unit on the attached lists so that if an evaporator sensor is replaced in the future, it will be modified as described above.

FILE KEY: COOLER - CONDENSER

Prepared By: _____

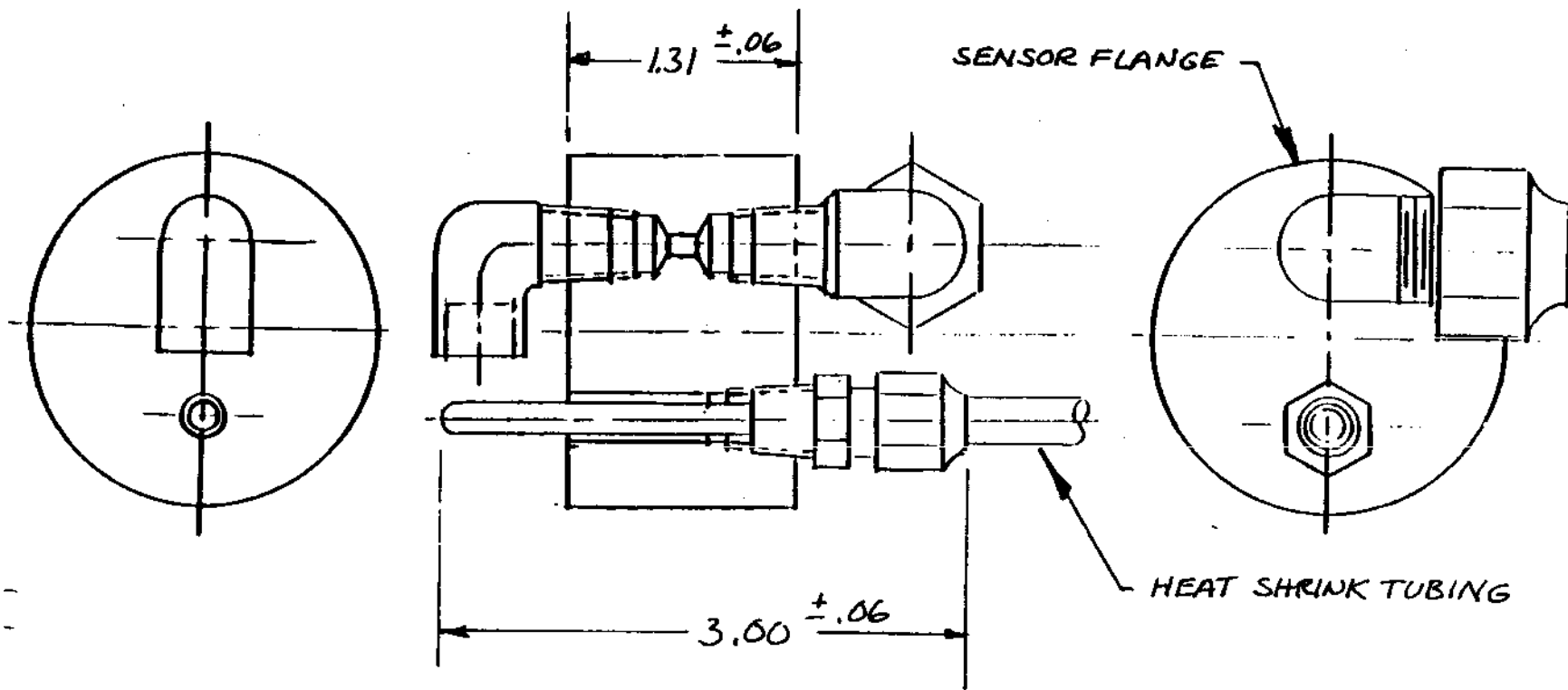
Lee Mount

Lee Mount

Approved By: _____

William L. DeLaurier

William DeLaurier



NOTE - IF SENSOR FLANGE LENGTH (1.31 IN. NOM)
 IS TOO GREAT (1.5 IN), INCREASE EXPOSED
 LENGTH OF SENSOR (3.00 IN. NOM.) TO 3.2
 BY CUTTING BACK HEAT SHRINK TUBING.

DK AND DM UNITS WITH LONG EVAPORATOR TEMPERATURE SENSOR FLANGES

SORTED BY SER NUMBER

SORTED BY JOB NUMBER

36306	4500H5040#1	39305	4500H5040#1
36965	6700H6025	36306	4500H5040#1
36966	6700H6025	39449	609402027
37211	7710H5003	39463	6094528912
37317	6100H6047#2	37319	6100168005
37318	6100H6047#1	37320	6100168005
37319	6100168005	37318	6100H6047#1
37320	6100168005	37317	6100H6047#2
37722	7520H6016#1	39378	6130H5085
37761	7910N6003#1	39475	6140H6062#1
37825	772221102	39476	6140H6062#1
39018	7094258903	39477	6140H6062#1
39024	709402006	39471	6150H6004#1
39032	7310H5310#1	39523	6200H5039
39101	6900N6014	39516	6200H6023#1
39102	6900N6014	39517	6200H6023#2
39200	7210H5018#1	39537	6200H6036#1
39260	6240H6020	39469	6210H6030
39262	6710H6020#1	39468	6210H6030
39290	7330H6006	39260	6240H6020
39299	674013105	39431	6240H6023#4
39305	4500H5040#1	39467	6290H6111#1
39344	6711023545	39490	6290H6112
39361	7100H6013	39491	6290H6112
39371	6700H5008#1	39479	6300H6023
39374	672276048	39539	6320H6005#1
39378	6130H5085	39540	6320H6005#1
39379	7240H6002#1	39472	6502808002
39380	7130H6010	39532	6523347145
39381	674013093	39484	6630H6017
39382	674013093	39485	6630H6017
39383	674013093	39461	6650H6011#2
39392	6710H6032	39500	6680H6005
39395	7800H5004	39501	6680H6005
39409	674013097	39502	6680H6006
39410	674013097	39503	6680H6006
39411	674013097	39504	6680H6007
39425	7100H5001#1	39505	6680H6007
39426	7100H5001#1	39506	6680H6008
39429	7100H5001#2	39507	6680H6008
39430	7100H5001#2	39508	6680H6010
39431	6240H6023#4	39371	6700H5008#1
39434	674013098	36965	6700H6025
39437	STOCK	36966	6700H6025
39442	672276048	39524	6700H6033
39443	7301648003	39525	6700H6033
39445	7600H5008	39262	6710H6020#1
39449	609402027	39392	6710H6032
39452	674013104	39473	6710H6043
39457	774031500	39519	6710H6045#1
39461	6650H6011#2	39520	6710H6045#1

DK AND DM UNITS WITH LONG EVAPORATOR TEMPERATURE SENSOR FLANGES

SORTED BY SER NUMBER		SORTED BY JOB NUMBER	
39463	6094528912	39344	6711023545
39467	6290H6111#1	39483	672212015
39468	6210H6030	39592	672265056
39469	6210H6030	39374	672276048
39471	6150H6004#1	39442	672276048
39472	6502808002	39382	674013093
39473	6710H6043	39383	674013093
39474	674033021	39381	674013093
39475	6140H6062#1	39409	674013097
39476	6140H6062#1	39410	674013097
39477	6140H6062#1	39411	674013097
39478	7290H6101	39434	674013098
39479	6300H6023	39452	674013104
39483	672212015	39299	674013105
39484	6630H6017	39492	674013112
39485	6630H6017	39493	674013112
39490	6290H6112	39474	674033021
39491	6290H6112	39518	674033024
39492	674013112	39495	6740H6029
39493	674013112	39494	6740H6029
39494	6740H6029	39619	6770H6052#1
39495	6740H6029	39526	6770H6055
39496	7210H5003#3	39101	6900N6014
39497	7210H5003#3	39102	6900N6014
39498	7290H6103#1	39547	709402001
39499	7740H5019	39548	709402001
39500	6680H6005	39549	709402002
39501	6680H6005	39569	709402003
39502	6680H6006	39024	709402006
39503	6680H6006	39018	7094258903
39504	6680H6007	39425	7100H5001#1
39505	6680H6007	39426	7100H5001#1
39506	6680H6008	39429	7100H5001#2
39507	6680H6008	39430	7100H5001#2
39508	6680H6010	39361	7100H6013
39516	6200H6023#1	39606	7130H5006#2
39517	6200H6023#2	39559	7130H6002#2
39518	674033024	39380	7130H6010
39519	6710H6045#1	39538	7130H6010
39520	6710H6045#1	39600	7210967428
39521	7680H6001#1	39601	7210967428
39522	7210H5016	39605	7210967428
39523	6200H5039	39496	7210H5003#3
39524	6700H6033	39497	7210H5003#3
39525	6700H6033	39522	7210H5016
39526	6770H6055	39200	7210H5018#1
39530	7320H6001	39633	7230H6003#1
39531	7350H6101#1	39379	7240H6002#1
39532	6523347145	39478	7290H6101
39534	774013005	39498	7290H6103#1
39537	6200H6036#1	39596	7301648002
39538	7130H6010	39443	7301648003

DK AND DM UNITS WITH LONG EVAPORATOR TEMPERATURE SENSOR FLANGES

SORTED BY SER NUMBER		SORTED BY JOB NUMBER	
39539	6320H6005#1	39032	7310H5310#1
39540	6320H6005#1	39554	7310H6303#1
39542	7500H6032	39555	7310H6303#1
39543	7970N6001	39530	7320H6001
39545	7970N6003	39564	7330H6004#1
39547	709402001	39565	7330H6004#1
39548	709402001	39290	7330H6006
39549	709402002	39531	7350H6101#1
39554	7310H6303#1	39612	7500H5016
39555	7310H6303#1	39542	7500H6032
39556	774031005	37722	7520H6016#1
39557	774031006	39445	7600H5008
39559	7130H6002#2	39603	7630H6011
39564	7330H6004#1	39618	7640H6101#1
39565	7330H6004#1	39521	7680H6001#1
39567	7900N6006#1	39591	7690H6003
39569	709402003	37211	7710H5003
39570	7910N6001	37825	772221102
39591	7690H6003	39534	774013005
39592	672265056	39621	774013012
39596	7301648002	39556	774031005
39599	STOCK	39557	774031006
39600	7210967428	39457	774031500
39601	7210967428	39499	7740H5019
39603	7630H6011	39395	7800H5004
39604	STOCK	39567	7900N6006#1
39605	7210967428	39570	7910N6001
39606	7130H5006#2	37761	7910N6003#1
39607	STOCK	39543	7970N6001
39612	7500H5016	39545	7970N6003
39618	7640H6101#1	39437	STOCK
39619	6770H6052#1	39599	STOCK
39621	774013012	39604	STOCK
39633	7230H6003#1	39607	STOCK

NUMBER: C8712

PAGE 6

DK AND DM UNITS WITH LONG EVAPORATOR TEMPERATURE SENSOR FLANGES
WHICH WERE MODIFIED PRIOR TO SHIPMENT

38715
39394
39435
39436
39482
39544
39550
39552
39566
39593
39595
39598
39608
39609
39614
39617
39622
39623
39624
39632
39636
39648
39653