



**UNITED
TECHNOLOGIES
CARRIER**

Commercial Division
Carrier Corporation

BULLETIN: CA-SB-19-E-80-95
DATE: 6/3/80
PAGE: 1 OF 2

SERVICE BULLETIN

SUBJECT: **IMPELLER DISPLACEMENT SWITCHES
19EA/19EB AND 19FA**

SUPERSEDE
BULLETIN:
DATE:
PAGE: OF:

Installation, repair and service and equipment referenced in this Service Bulletin should be undertaken only by qualified persons. Carrier Corporation (1) makes no representations or warranties, expressed or implied, concerning the accuracy, completeness or right to use the information contained herein, and (2) disclaims all liability for injuries, damages, infringements and other losses which may arise on account of, or which may result from, the use or application of any information, method or apparatus disclosed herein.

PURPOSE

To advise that replacement impeller displacement switches for 19EA/EB machines are not interchangeable with those for 19FA machines.

MACHINES AFFECTED

All 19EA/EB and 19FA machines.

INFORMATION

The following table identifies the correct impeller displacement switch to use when replacement is necessary.

<u>Machine</u>	<u>Switch Part No.</u>	<u>Reference</u>
19EA/EB	19EA412-1114	Figure 1
19FA	19FA680-006	Figure 2



**UNITED
TECHNOLOGIES
CARRIER**

Commercial Division
Carrier Corporation

BULLETIN: CA-SB-19-E-80-95
DATE: 6/3/80
PAGE: 2 OF: 2

SERVICE BULLETIN

SUPERSEDE
BULLETIN:
DATE:
PAGE: OF:

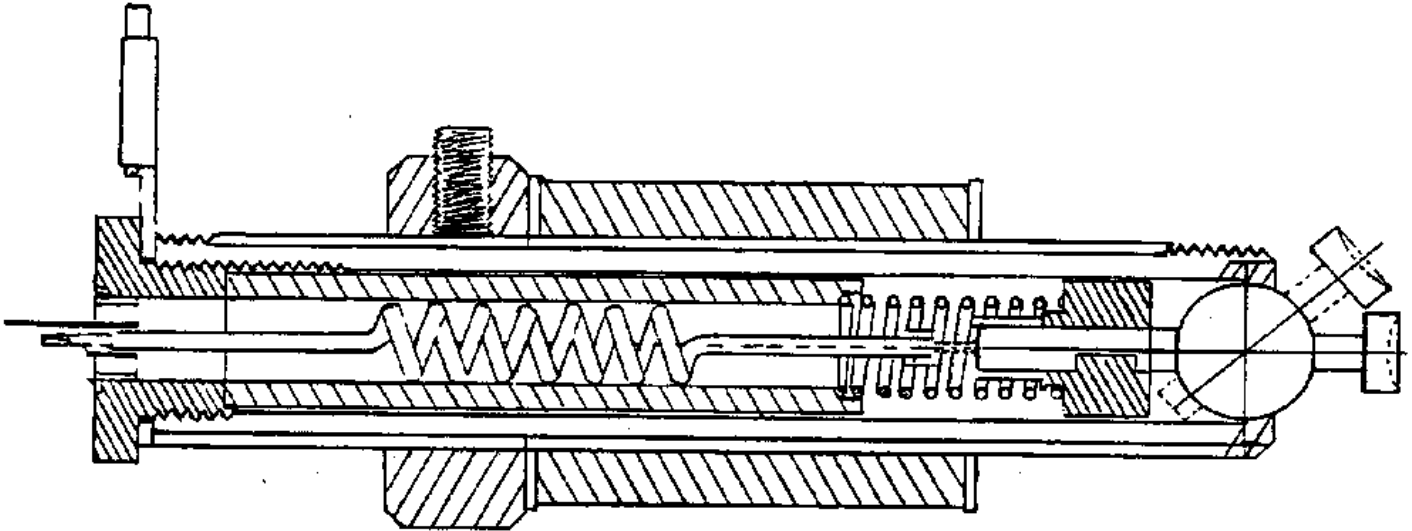


Fig. 1. Impeller Displacement Switch, 19EA412-1114
(For Use on 19EA/EB Machines)

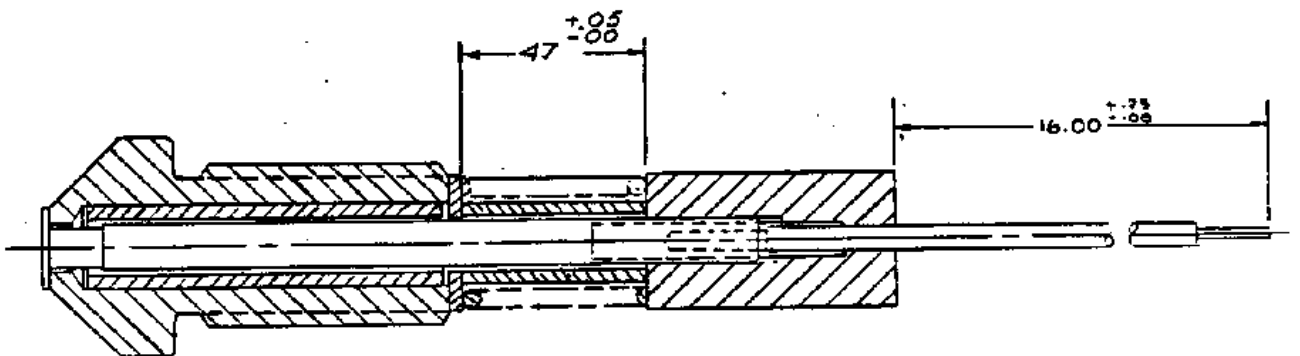


Fig. 2. Impeller Displacement Switch, 19FA680-006
(For Use on 19FA Machines)