



**UNITED  
TECHNOLOGIES  
CARRIER**

Commercial Division  
Carrier Corporation

BULLETIN: CA-SB-19-D-65-25  
DATE: 1/6/65  
PAGE: 1 OF: 2

## SERVICE BULLETIN

SUBJECT: DRAINING THE PURGE COLLECTION CHAMBER TUBE-19D

SUPERSEDE  
BULLETIN:  
DATE:  
PAGE: OF:

Installation, repair and service and equipment referenced in this Service Bulletin should be undertaken only by qualified persons. Carrier Corporation (1) makes no representations or warranties, expressed or implied, concerning the accuracy, completeness or right to use the information contained herein, and (2) disclaims all liability for injuries, damages, infringements and other losses which may arise on account of, or which may result from, the use or application of any information, method or apparatus disclosed herein.

### PURPOSE

To emphasize the importance of draining the purge collection chamber tube to prevent freeze-up.

### MACHINES AFFECTED

All standard 19D machines.

### INFORMATION

The purge suction line is connected to a triangular shaped collection chamber which runs almost the full length of the unishell. Condenser gas enters the chamber through perforations in the condenser shell. A single condenser water tube condenses refrigerant gas and concentrates noncondensable gases and water vapor in the chamber. The noncondensables are then removed by the purge.

*During periods of extended machine shutdown, and where the machine may be subjected to temperatures below freezing, it is essential that the collection chamber tube be drained to prevent freeze-up.*

The purge collection chamber tube should be drained only after the condenser water boxes, water lines, and cooling tower have been drained.

### PROCEDURE (REFERENCE FIG. 1)

- A Remove the drain plug access cover.
- B Unscrew the 1/8" pipe plug from the 3/4" tee to allow as much water as possible to drain from the tube by gravity.
- C Disconnect the 1/2" flare union at the console end of the tube and blow out the tube with air until water ceases to flow out the drain.
- D Do not replace the 1/8" plug until the machine is put into operation.

**SERVICE BULLETIN**

SUPERSEDE  
BULLETIN:  
DATE:  
PAGE: OF:

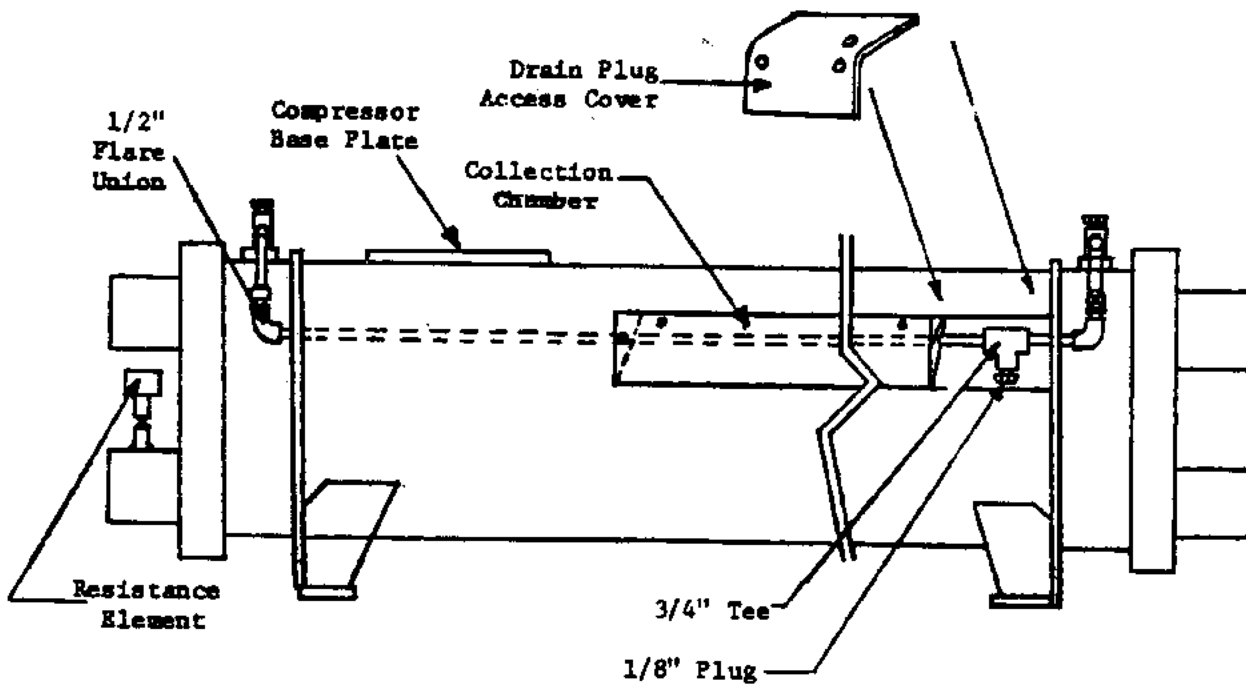


Fig. 1. Purge Collection Chamber Tube Assembly