 UNITED TECHNOLOGIES CARRIER	Commercial Division Carrier Corporation	CA-5B-19-C-64-23 BULLETIN: DATE: 10/12/64 PAGE: 1 OF: 4
SERVICE BULLETIN		SUPERSEDE BULLETIN:
SUBJECT: VANE POSITION INDICATOR		DATE: PAGE: OF:
Installation, repair and service and equipment referenced in this Service Bulletin should be undertaken only by qualified persons. Carrier Corporation (1) makes no representations or warranties, expressed or implied, concerning the accuracy, completeness or right to use the information contained herein, and (2) disclaims all liability for injuries, damages, infringements and other losses which may arise on account of, or which may result from, the use or application of any information, method or apparatus disclosed herein.		

Purpose: To provide a guide for servicing the new design vane position indicator assembly.

Machines Affected: All 19C electronic control machines with compressor serial number 40180 and higher.

Background: The design of the vane position indicator used on 19C electronic control machines has been changed. The new design indicator has been improved to eliminate the adjustable linkage and overhanging housing and to improve the electrical conduit connection.

The original indicator, part number HRS6XA019, is no longer available for service replacements. Both the new design and the original indicator have the same part number and are completely inter-changeable with the possible exception that it may be necessary to increase the length of the electrical conduit to the new indicator. The micro-switch and the feedback potentiometer are the same as were used on the original indicator.

Procedure: POTENTIOMETER - To replace and/or adjust the potentiometer, refer to Figure 1 and proceed as follows:

- (1) Disconnect the three wires going from the potentiometer (9) to terminals number 25, 26 and 27 on the terminal strip (11).
- (2) Loosen the two clamp screws (7) in the indicator drum plate (8).
- (3) Remove the potentiometer.
- (4) Connect an ohmmeter to the wires that go to terminals 26 and 27.
- (5) Rotate the potentiometer drive shaft until the ohmmeter reads 50 ohms.
- (6) Set the vane indicator drum (10) to the CLOSED position.



SERVICE BULLETIN

SUPERSEDE
BULLETIN:
DATE:
PAGE: OF:

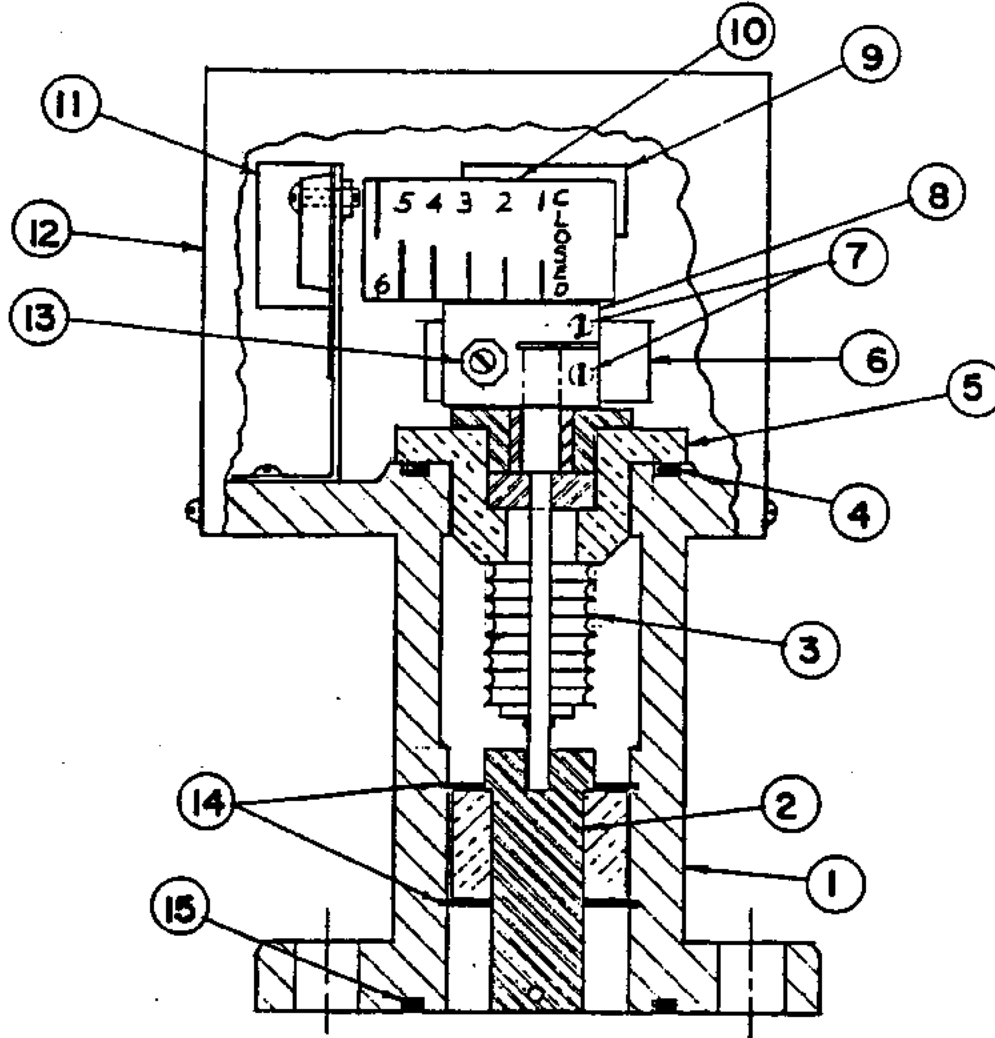


FIGURE 1 - VANE POSITION INDICATOR

<u>ITEM</u>	<u>DESCRIPTION</u>	<u>ITEM</u>	<u>DESCRIPTION</u>
1	Vane Indicator Housing	8	Drum Plate
2	Drive Shaft	9	Potentiometer
3	Bellows	10	Vane Indicator Drum
4	O-Ring	11	Terminal
5	Cover Plate	12	Cover
6	Vane Closed Switch	13	Vane Closed Switch Adjusting Screw
7	Clamp Screws	14	Retaining Ring
		15	O-Ring



**UNITED
TECHNOLOGIES
CARRIER**

Commercial Division
Carrier Corporation

BULLETIN: CA-SB-19-C-64-23

DATE: 10/12/64

PAGE: 3 OF: 4

SERVICE BULLETIN

SUPERSEDE
BULLETIN:

DATE:

PAGE: OF:

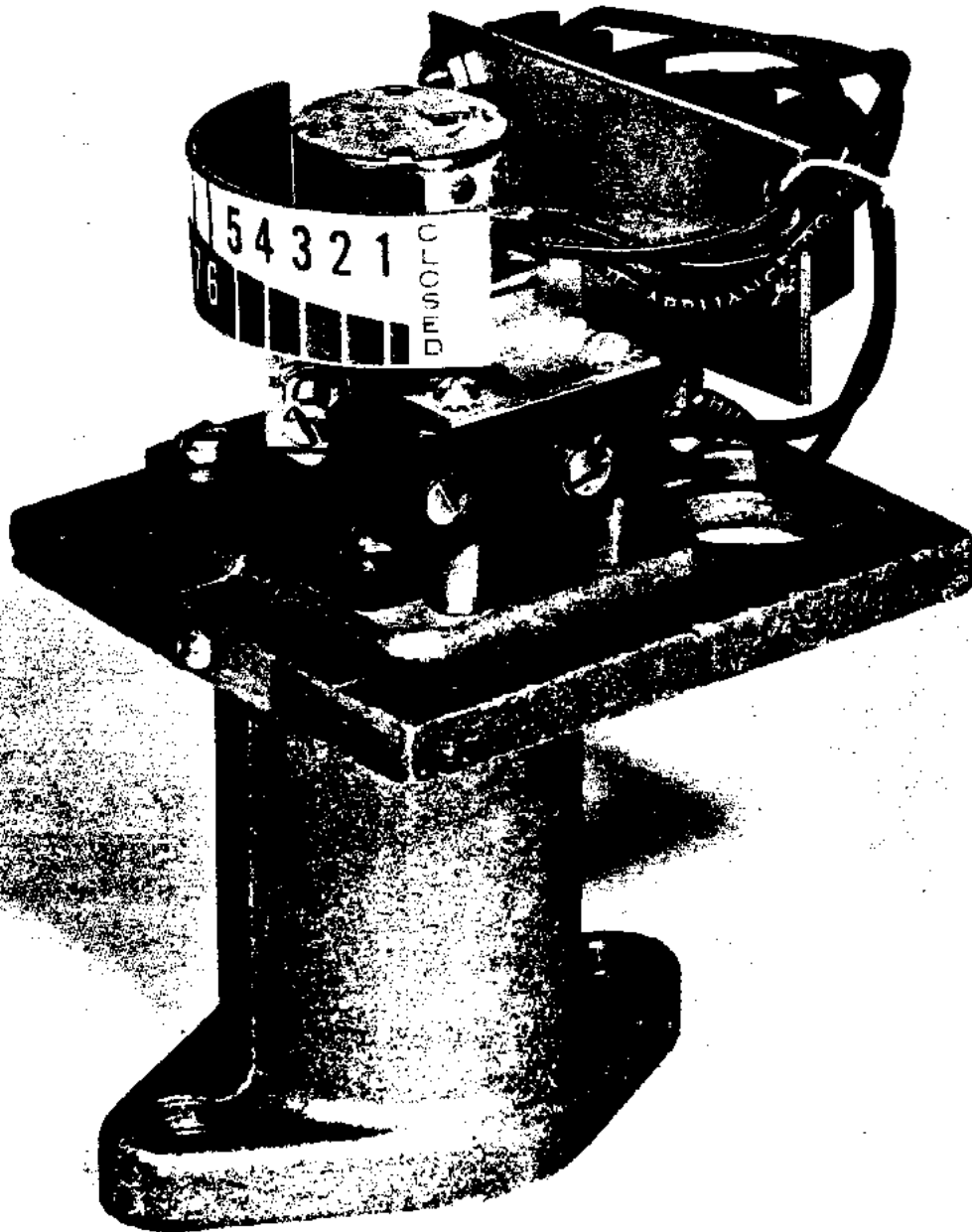


FIGURE 2 - VANE POSITION INDICATOR

Rear view of vane position indicator with cover removed showing potentiometer, vane indicator drum and vane closed switch.



**UNITED
TECHNOLOGIES
CARRIER**

Commercial Division
Carrier Corporation

BULLETIN: CA-SB-19-C-64-23
DATE: 10/12/64
PAGE: 4 OF: 4

SERVICE BULLETIN

SUPERSEDE
BULLETIN:
DATE:
PAGE: OF:

- (7) Install the potentiometer in the drum plate and tighten the two clamp screws. Care must be taken to prevent the potentiometer drive shaft setting from being disturbed.
- (8) Recheck the resistance reading across the wires that go to terminals 26 and 27 to make certain the resistance still reads 50 ohms with the indicator drum in the CLOSED position.
- (9) Wire the potentiometer to the terminal strip.

VANE CLOSED SWITCH - To replace the vane closed micro-switch, (item 6), proceed as follows:

- (1) Remove the hold-down screws.
- (2) Disconnect the wires leading to the switch. Remove old switch.
- (3) Install the new switch. Set the adjusting screw, (item 13), in the drum plate to close the switch when the vanes are in the closed position.