



Subject: 19E SERIES COASTDOWN RESERVOIR
Reference:

Supersede and Destro
File
Date
Page of

Mail Keys:
Distribution:

Cent. FER 82-2

1.0 PURPOSE

To inform the field that the passage supplying oil to the gear sprays in some coastdown reservoirs may not be completely drilled.

2.0 MACHINES AFFECTED

19EA,EB Sizes 4 & 5 compressors.

3.0 INFORMATION

It is possible that the oil passage in the coastdown reservoir (Part No. 19EA51-1094 and 19EA41-1094) has not been drilled to a sufficient depth to provide a hole at the level through which oil is supplied to the bearing cap and into the gear spray headers.

The affected oil passage is for the gear sprays only and does not affect the oil supply to the gear bearings. There is no serious threat to machine or gear life since the splashing oil in the transmission housing provides some lubrication.

4.0 RECOMMENDATION

When a machine is pumped down and the compressor opened for any reason, it is recommended that the reservoir be checked by manually running the oil pump for at least one minute. If there is insufficient oil being supplied to the gear spray headers, remove the reservoir and redrill the oil passage as shown in the attached sketches.

**FILING INSTRUCTIONS: CENTRIFUGAL FIELD EXPERIENCE REPORTS MANUAL
TAB: Compressor-Motor Assembly**

Prepared by:

David A. Greer

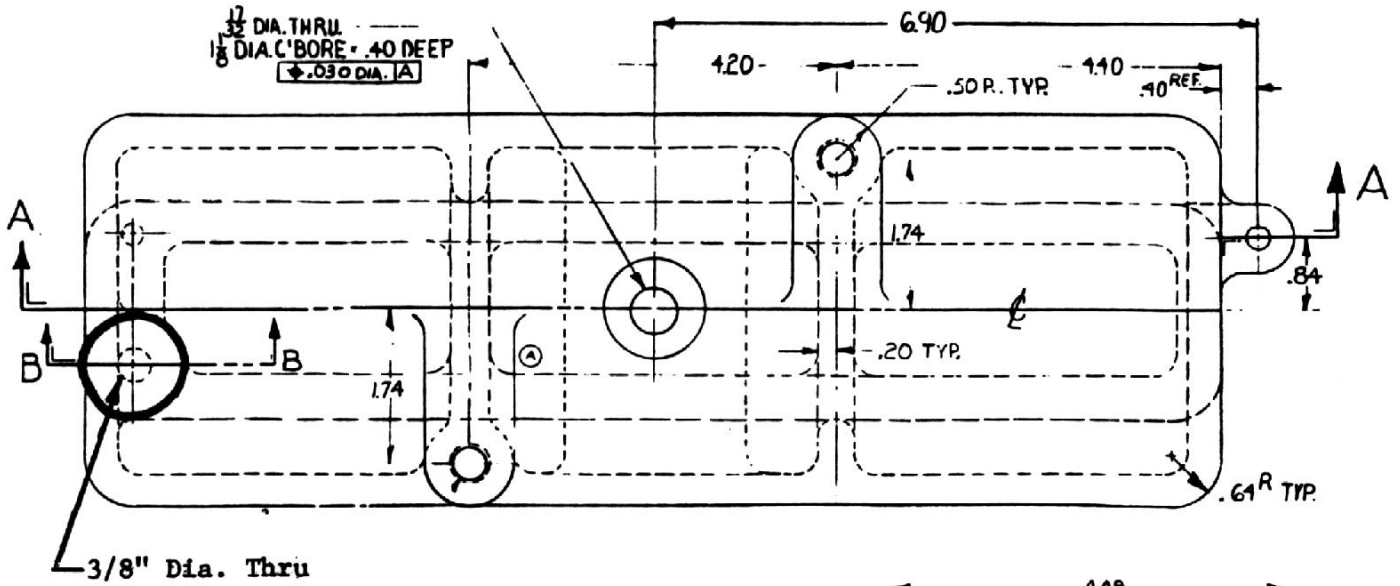
Approved by:

Alan M. Johnson

Date:

2/23/82

Cent. FER 82-2



3/8" Dia. Thru

