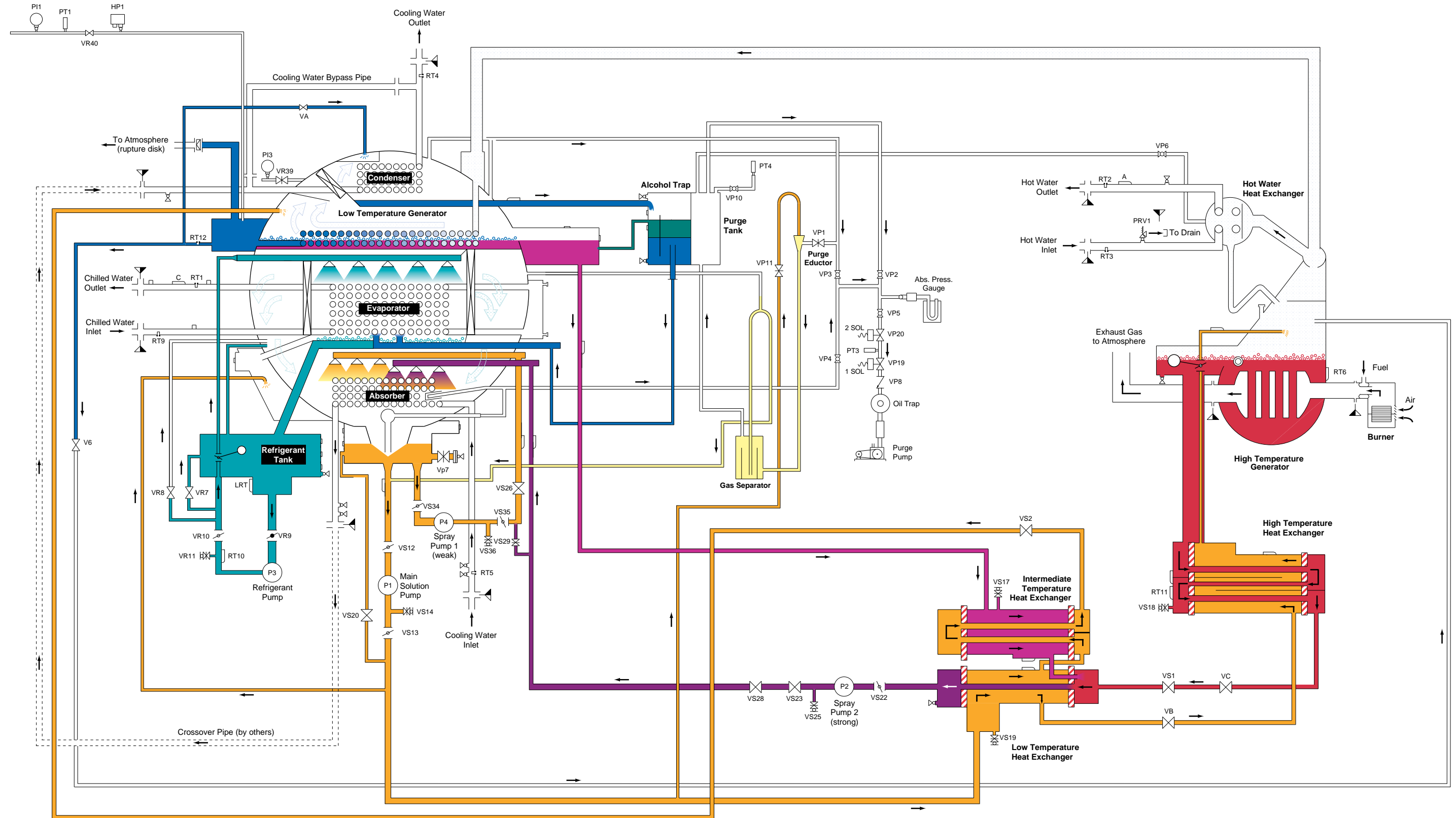


- Dilute solution from absorber to high, low temperature generators and absorber sprays on cooling water inlet end
- Intermediate solution to absorber sprays
- Concentrated solution from low temperature generator
- Concentrated solution from high temperature generator
- Refrigerant liquid (low & intermediate temperature)
- Refrigerant liquid (high temperature)
- Refrigerant vapor
- Alcohol

NOTE: Some valves may differ between various models

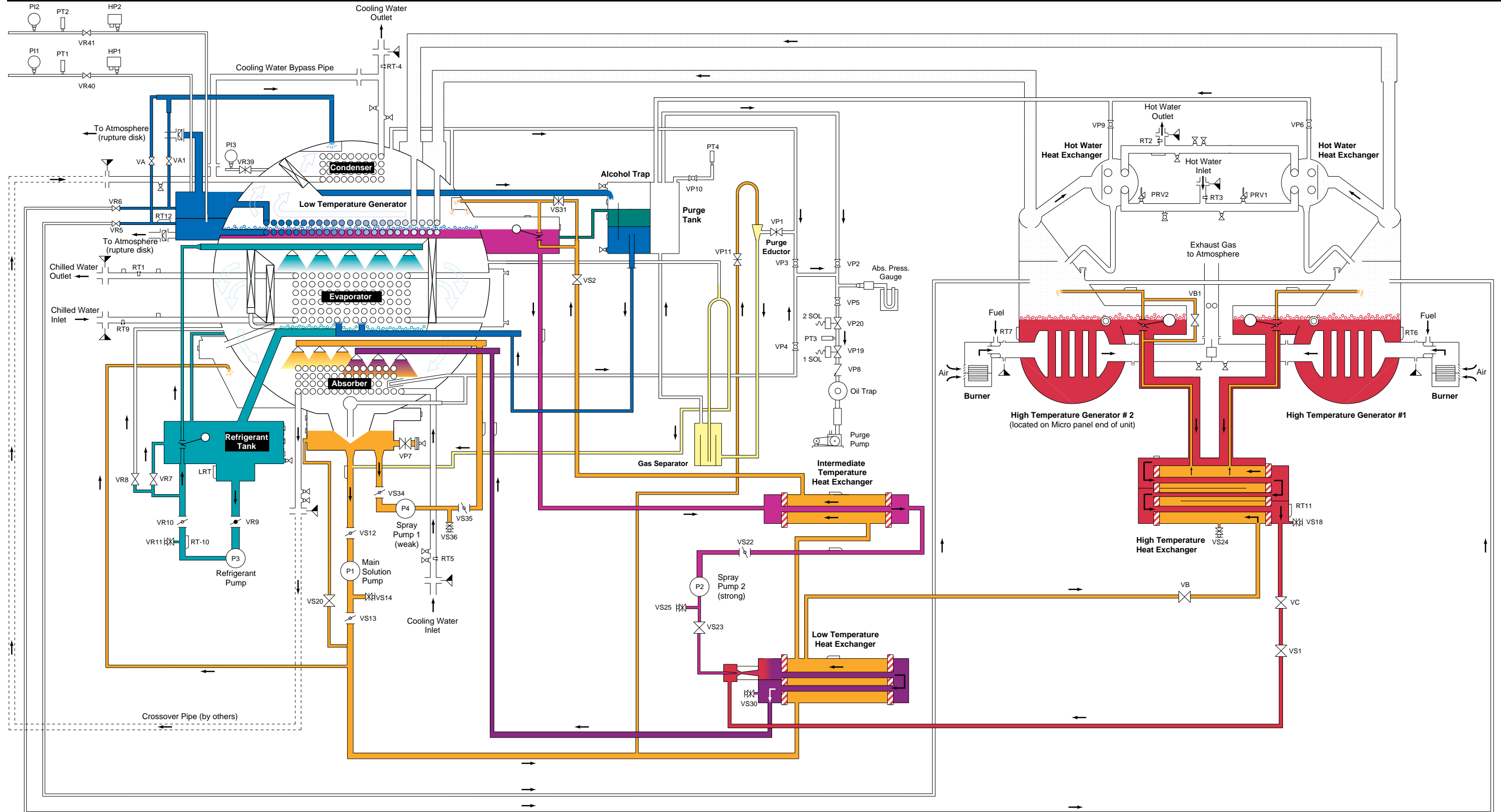
adn 10/17/95 YPCDF17G



- Dilute solution from absorber to high, low temperature generators and absorber sprays on cooling water inlet end
- Intermediate solution to absorber sprays
- Concentrated solution from low temperature generator
- Concentrated solution from high temperature generator
- Refrigerant liquid (low & intermediate temperature)
- Refrigerant liquid (high temperature)
- Refrigerant vapor
- Alcohol

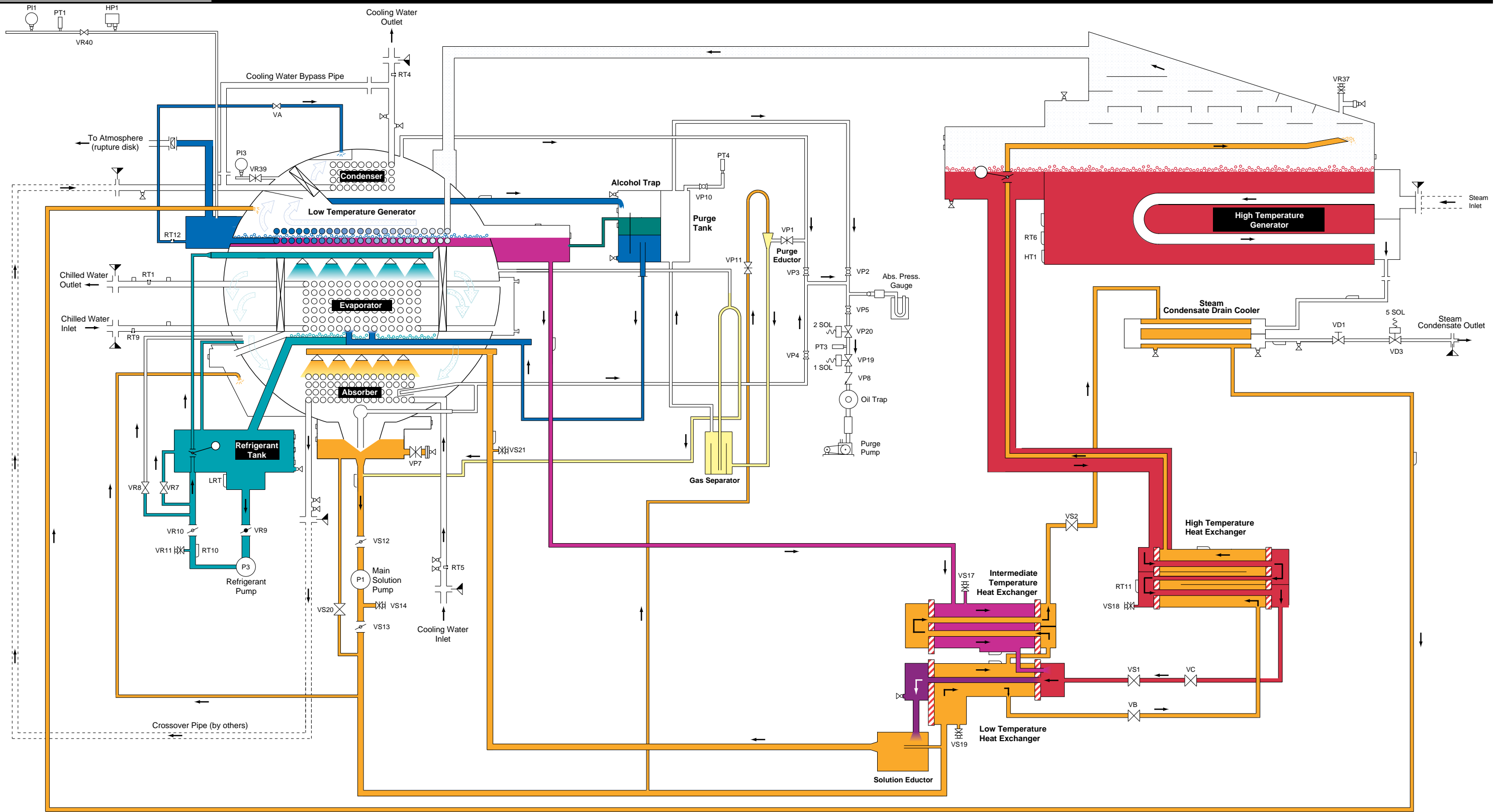
NOTE: Some valves may differ between various models

adn 10/19/95 YPCDF19G



NOTE: Some valves may differ between various models

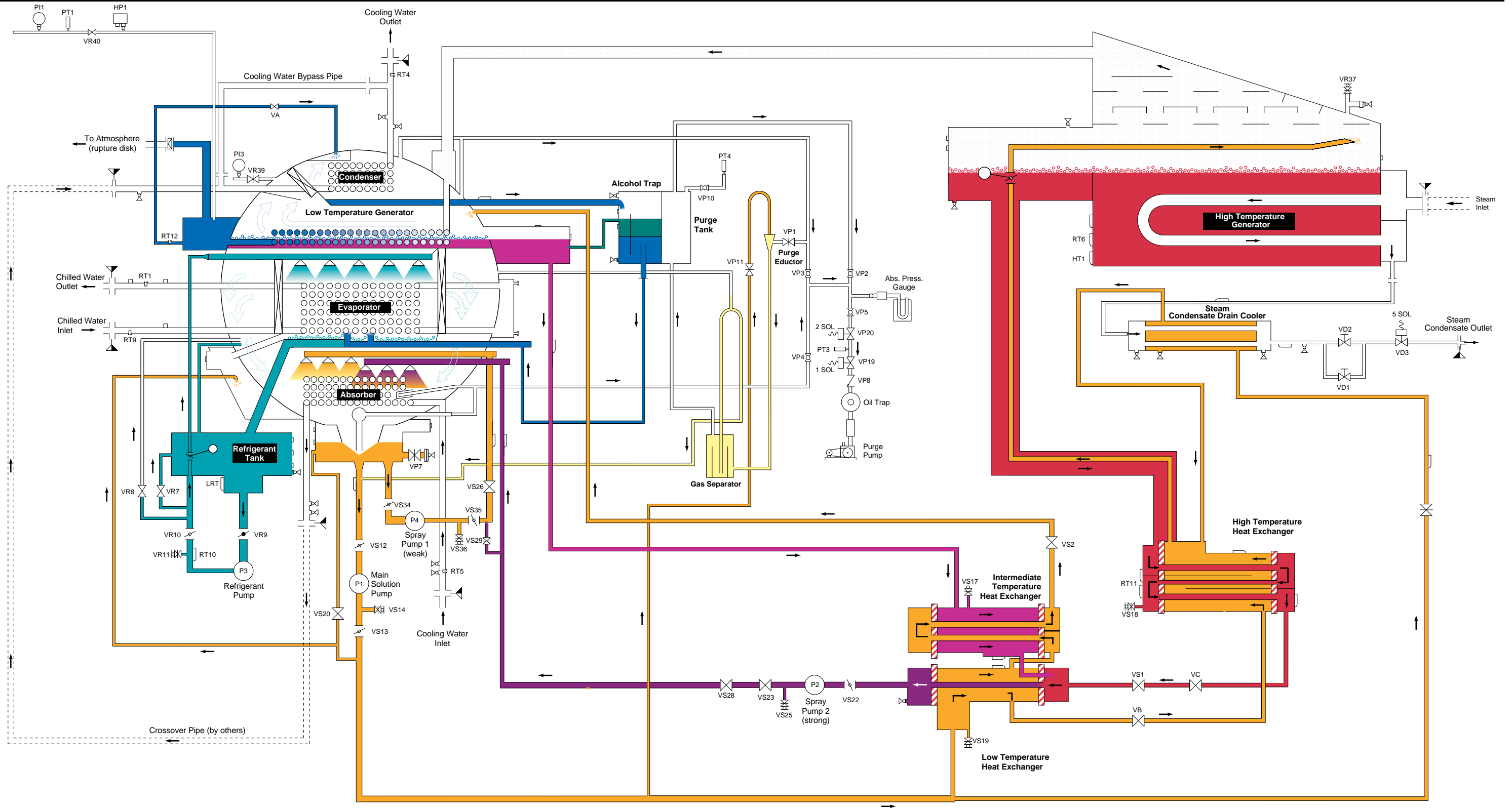
- | | |
|--------------------------------------------------------------------------------------------------------------------------------------------------------|-----------------------------------------------------------------------------------------|
| — Dilute solution from absorber to high, low temperature generators and absorber sprays on cooling water inlet end | — Refrigerant liquid (low & intermediate temperature) |
| — Intermediate solution to absorber sprays | — Refrigerant liquid (high temperature) |
| — Concentrated solution from low temperature generator | — Refrigerant vapor |
| — Concentrated solution from high temperature generator | — Alcohol |



NOTE: Some valves may differ between various models

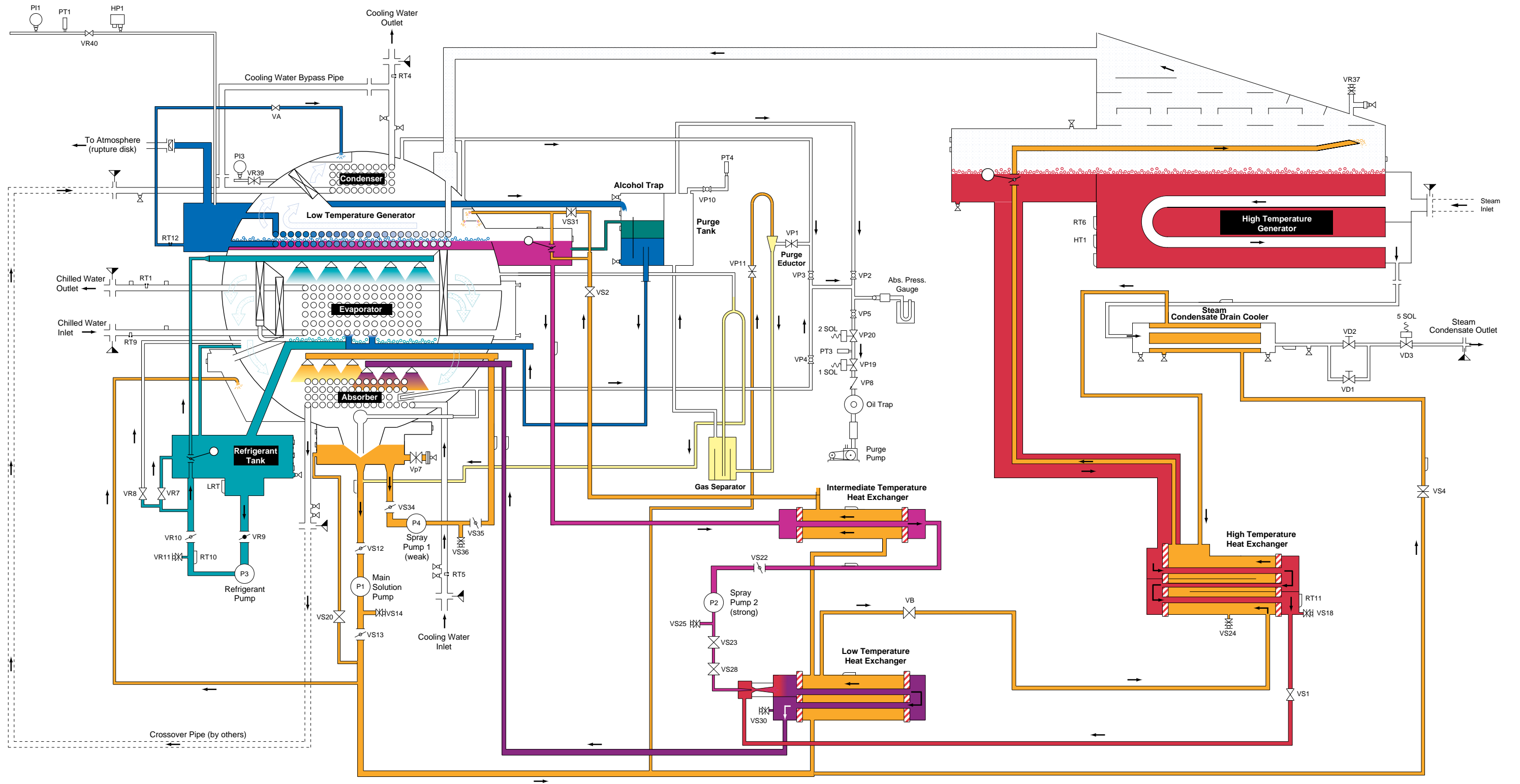
- | | |
|--------------------------------------------------------------------------------------------------------------------------------------------------------|-----------------------------------------------------------------------------------------|
| — Dilute solution from absorber to high, low temperature generators and absorber sprays on cooling water inlet end | — Refrigerant liquid (low & intermediate temperature) |
| — Intermediate solution to absorber sprays | — Refrigerant liquid (high temperature) |
| — Concentrated solution from low temperature generator | — Refrigerant vapor |
| — Concentrated solution from high temperature generator | — Alcohol |

adn 10/11/95 YPCST18G



NOTE: Some valves may differ between various models

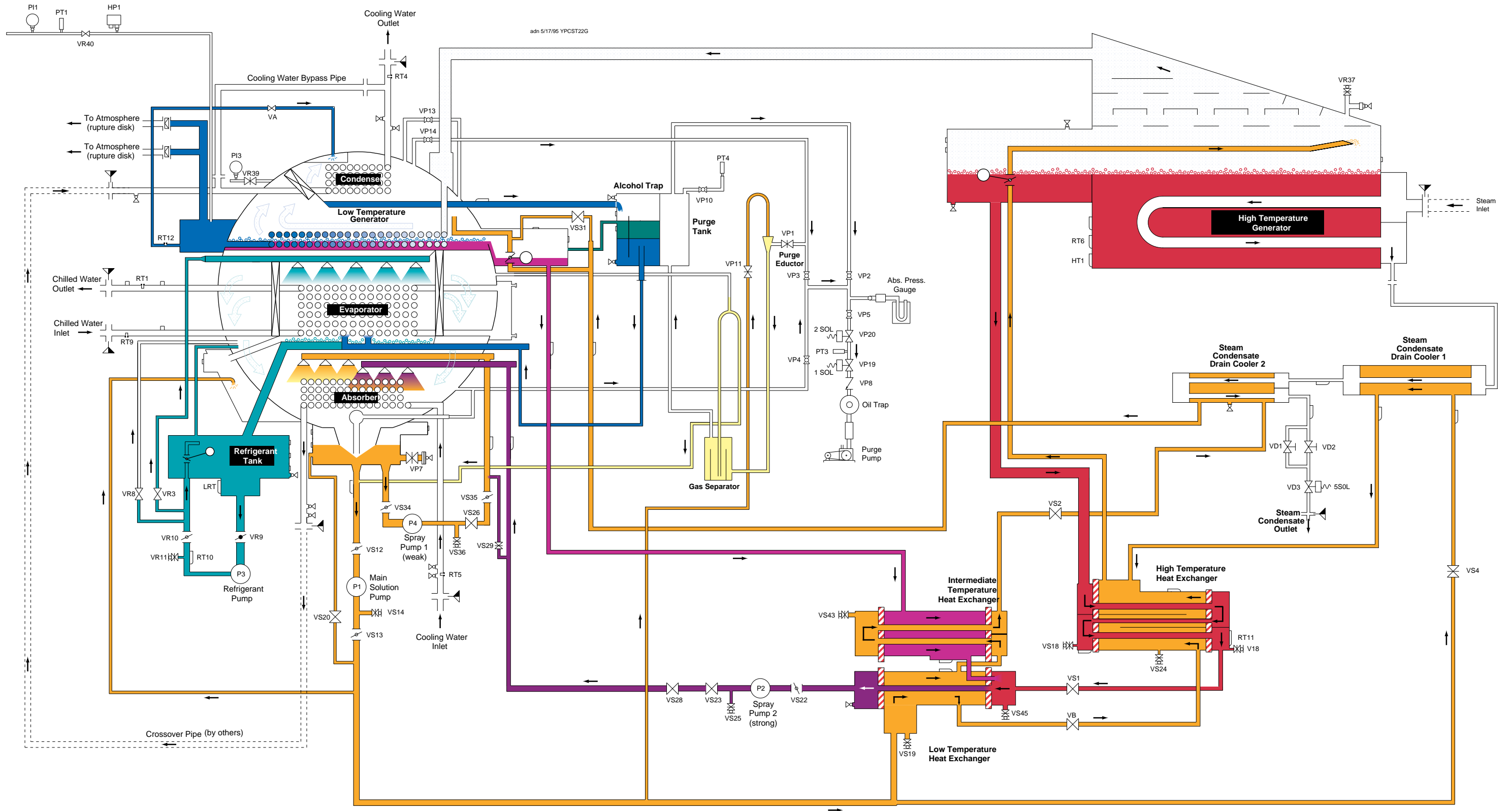
- | | |
|--------------------------------------------------------------------------------------------------------------------------------------------------------|----------------------------------------------------------------------------------------------|
| — Dilute solution from absorber to high, low temperature generators and absorber sprays on cooling water inlet end | — Refrigerant liquid (low & intermediate temperature) |
| — Intermediate solution to absorber sprays | — Refrigerant liquid (high temperature) |
| — Concentrated solution from low temperature generator | — Refrigerant vapor |
| — Concentrated solution from high temperature generator | — Alcohol |



—	Dilute solution from absorber to high, low temperature generators and absorber sprays on cooling water inlet end	—	Refrigerant liquid (low & intermediate temperature)
—	Intermediate solution to absorber sprays	—	Refrigerant liquid (high temperature)
—	Concentrated solution from low temperature generator	—	Refrigerant vapor
—	Concentrated solution from high temperature generator	—	Alcohol

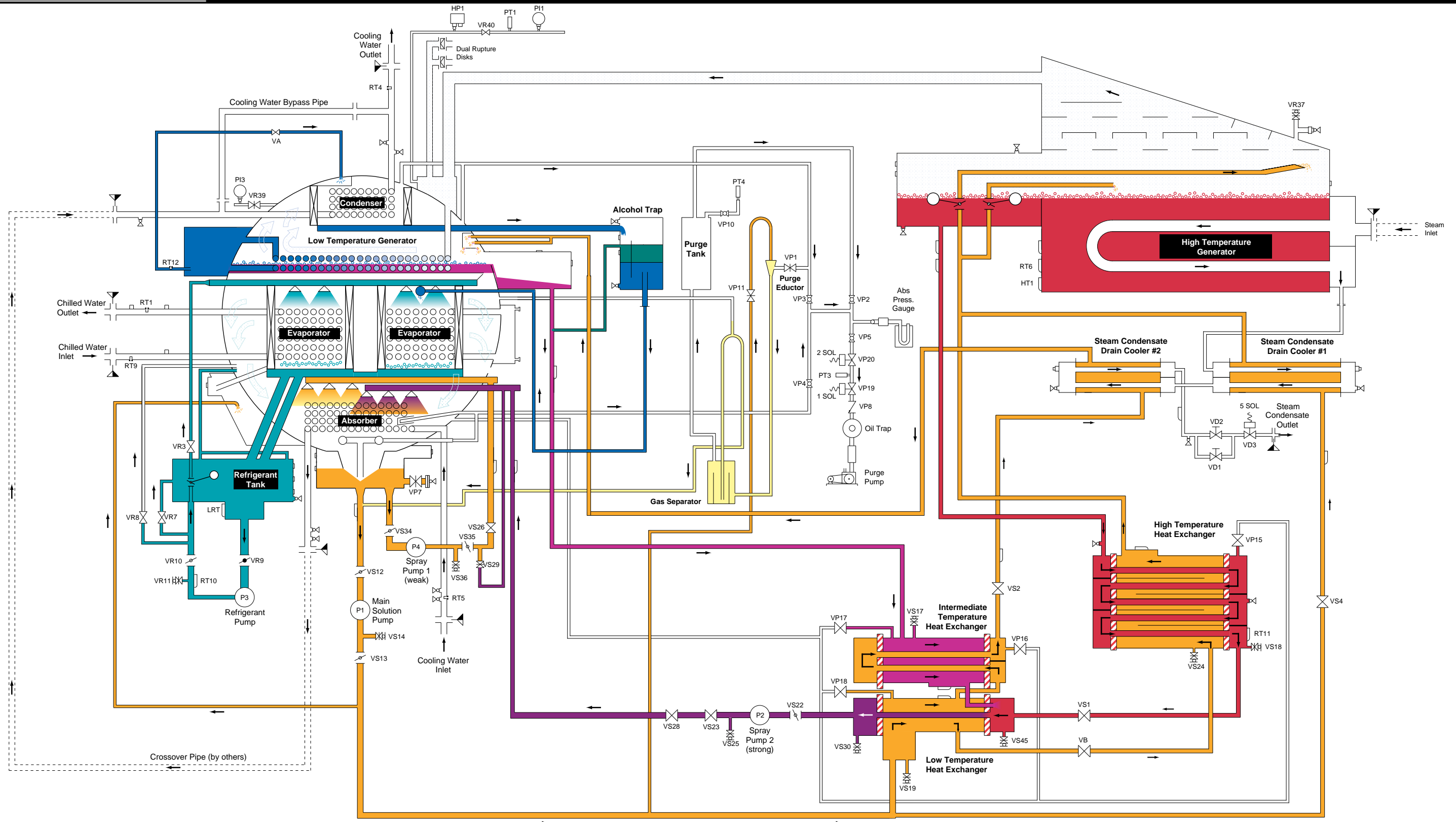
NOTE: Some valves may differ between various models

adn 10/17/95 YPCST20G



NOTE: Some valves may differ between various models

	Dilute solution from absorber to high, low temperature generators and absorber sprays on cooling water inlet end		Refrigerant liquid (low & intermediate temperature)
	Intermediate solution to absorber sprays		Refrigerant liquid (high temperature)
	Concentrated solution from low temperature generator		Refrigerant vapor
	Concentrated solution from high temperature generator		Alcohol



- | | |
|--------------------------------------------------------------------------------------------------------------------------------------------------------|-----------------------------------------------------------------------------------------|
| — Dilute solution from absorber to high, low temperature generators and absorber sprays on cooling water inlet end | — Refrigerant liquid (low & intermediate temperature) |
| — Intermediate solution to absorber sprays | — Refrigerant liquid (high temperature) |
| — Concentrated solution from low temperature generator | — Refrigerant vapor |
| — Concentrated solution from high temperature generator | — Alcohol |

NOTE: Some valves may differ between various models

adn 10/09/95 YPCST22G