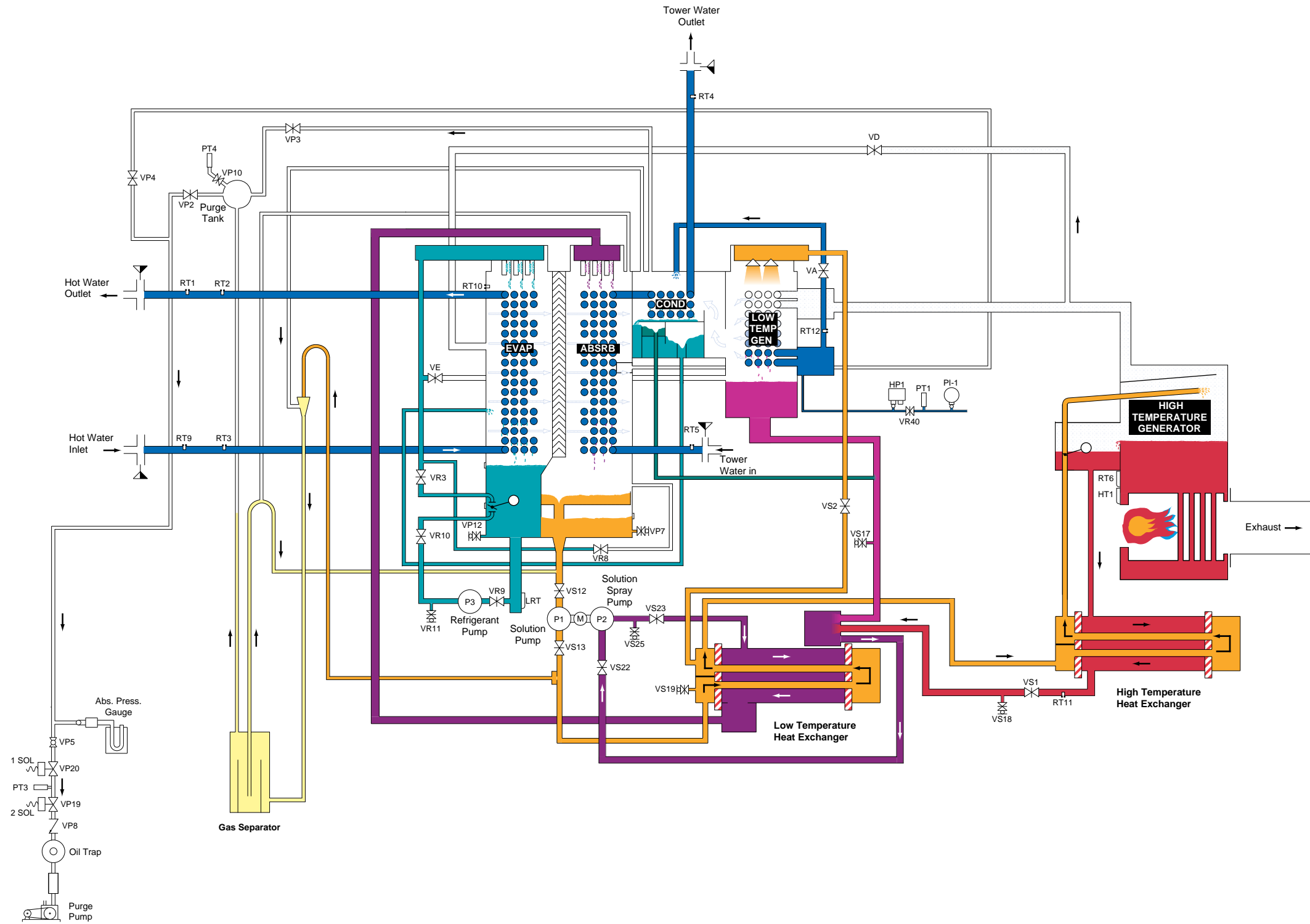


NOTE: Some valves may differ between various models

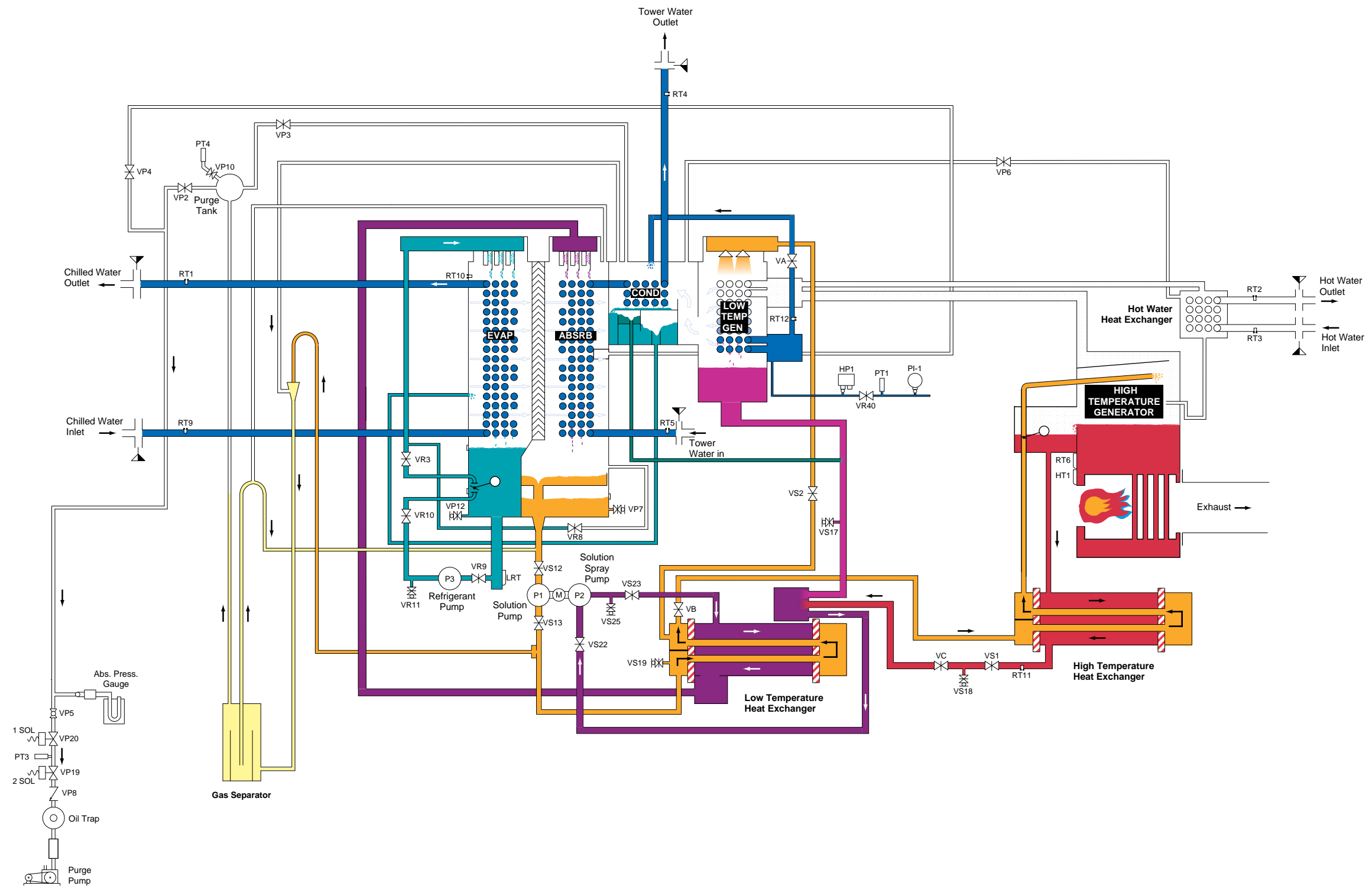
	Dilute Solution from Absorber to high, Low Temp Generator and Absorber Sprays on Cooling Water Inlet End		Condensed Refrigerant Liquid
	Intermediate Solution to Absorber Sprays		Hot and Warm Refrigerant Liquid
	Concentrated Solution from Low Temperature Generator		Hot/Warm Refrigerant Vapor
	Concentrated Solution from High Temperature Generator		Alcohol



NOTE: Some valves may differ between various models

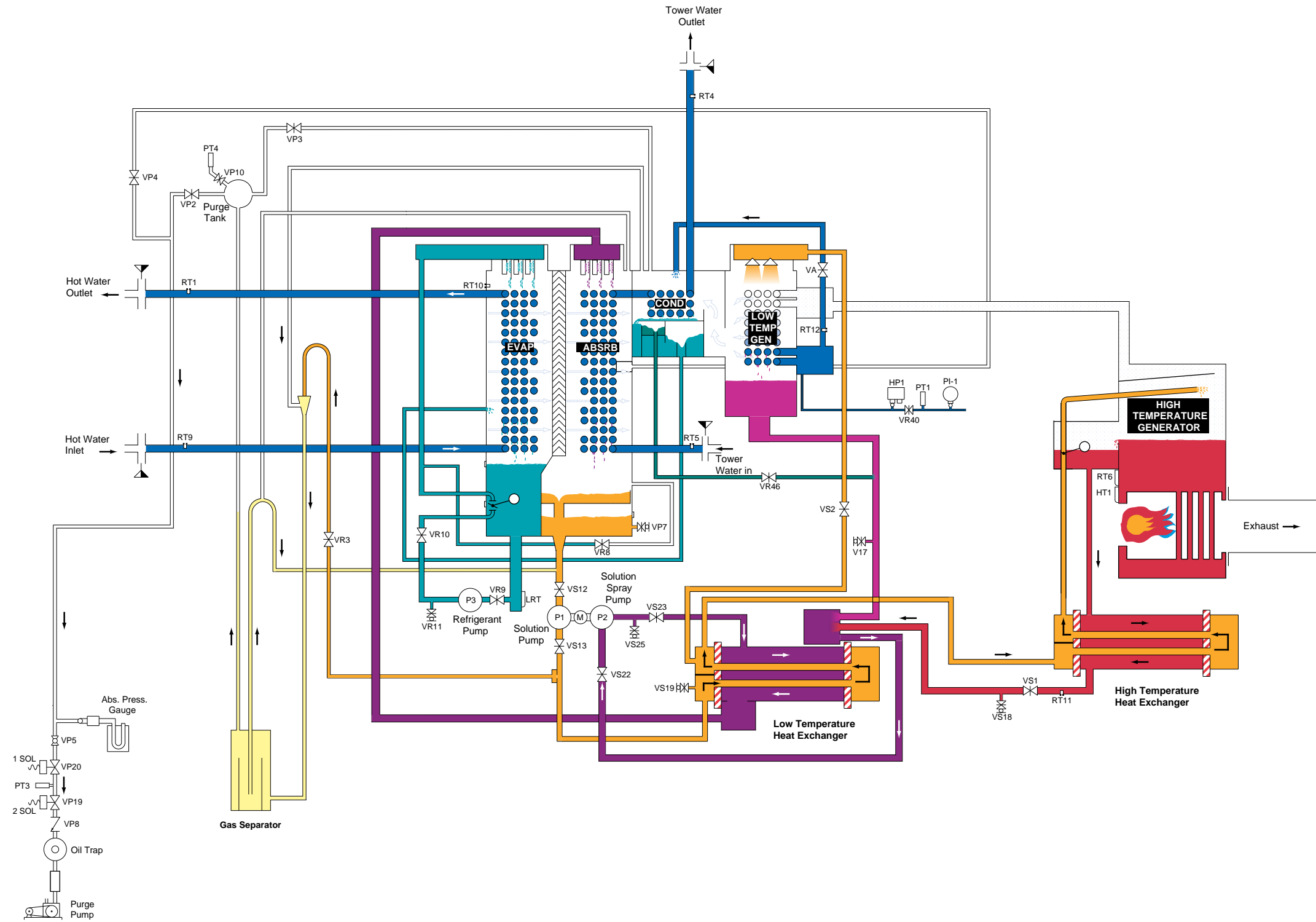
	Dilute Solution from Absorber to high, Low Temp Generator and Absorber Sprays on Cooling Water Inlet End		Condensed Refrigerant Liquid
	Intermediate Solution to Absorber Sprays		Hot and Warm Refrigerant Liquid
	Concentrated Solution from Low Temperature Generator		Hot/Warm Refrigerant Vapor
	Concentrated Solution from High Temperature Generator		Alcohol

adm 2/3/96 YPCF12S2



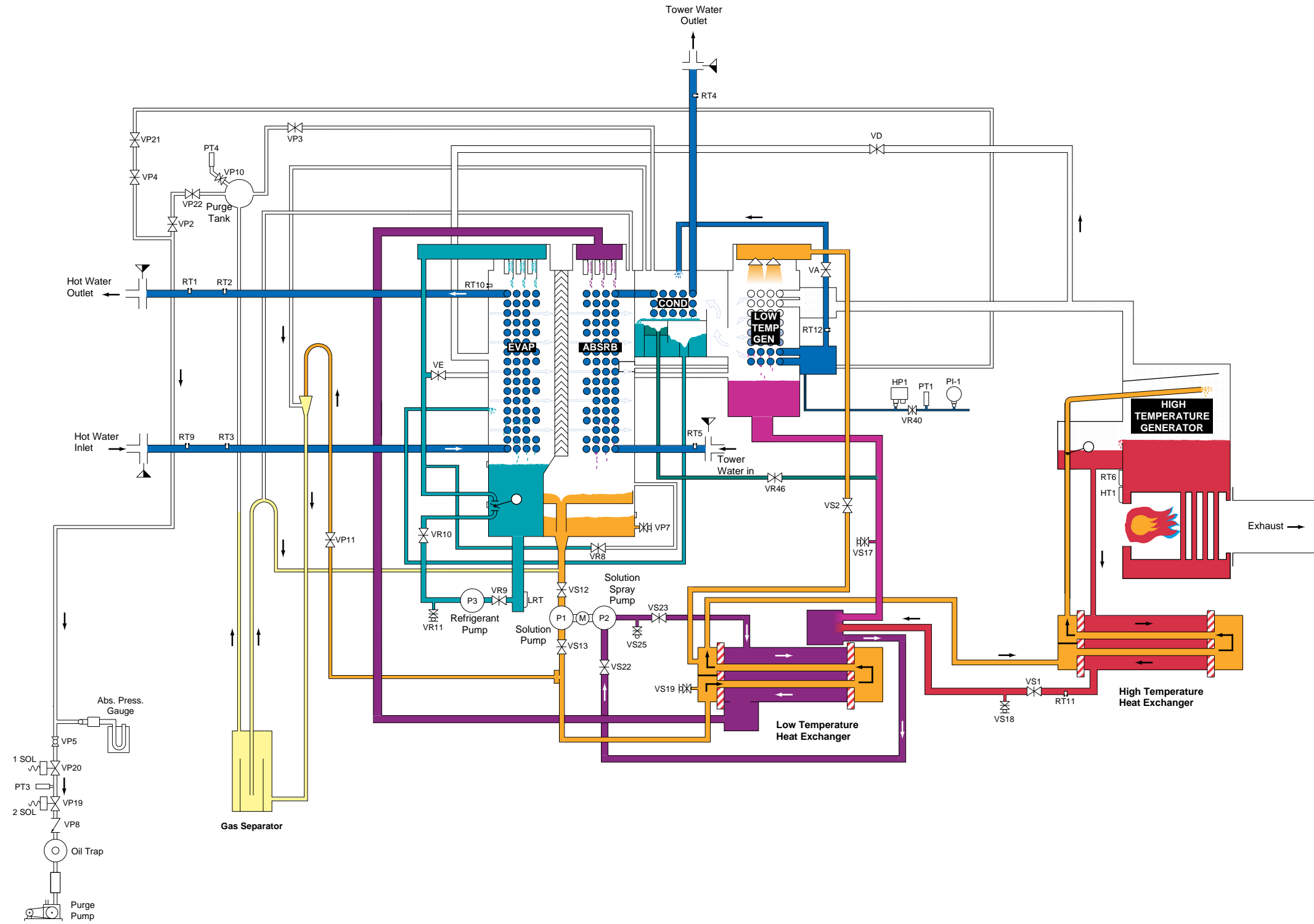
NOTE: Some valves may differ between various models

	Dilute Solution from Absorber to High, Low Temp Generator and Absorber Sprays on Cooling Water Inlet End		Condensed Refrigerant Liquid
	Intermediate Solution to Absorber Sprays		Hot and Warm Refrigerant Liquid
	Concentrated Solution from Low Temperature Generator		Hot/Warm Refrigerant Vapor
	Concentrated Solution from High Temperature Generator		Alcohol



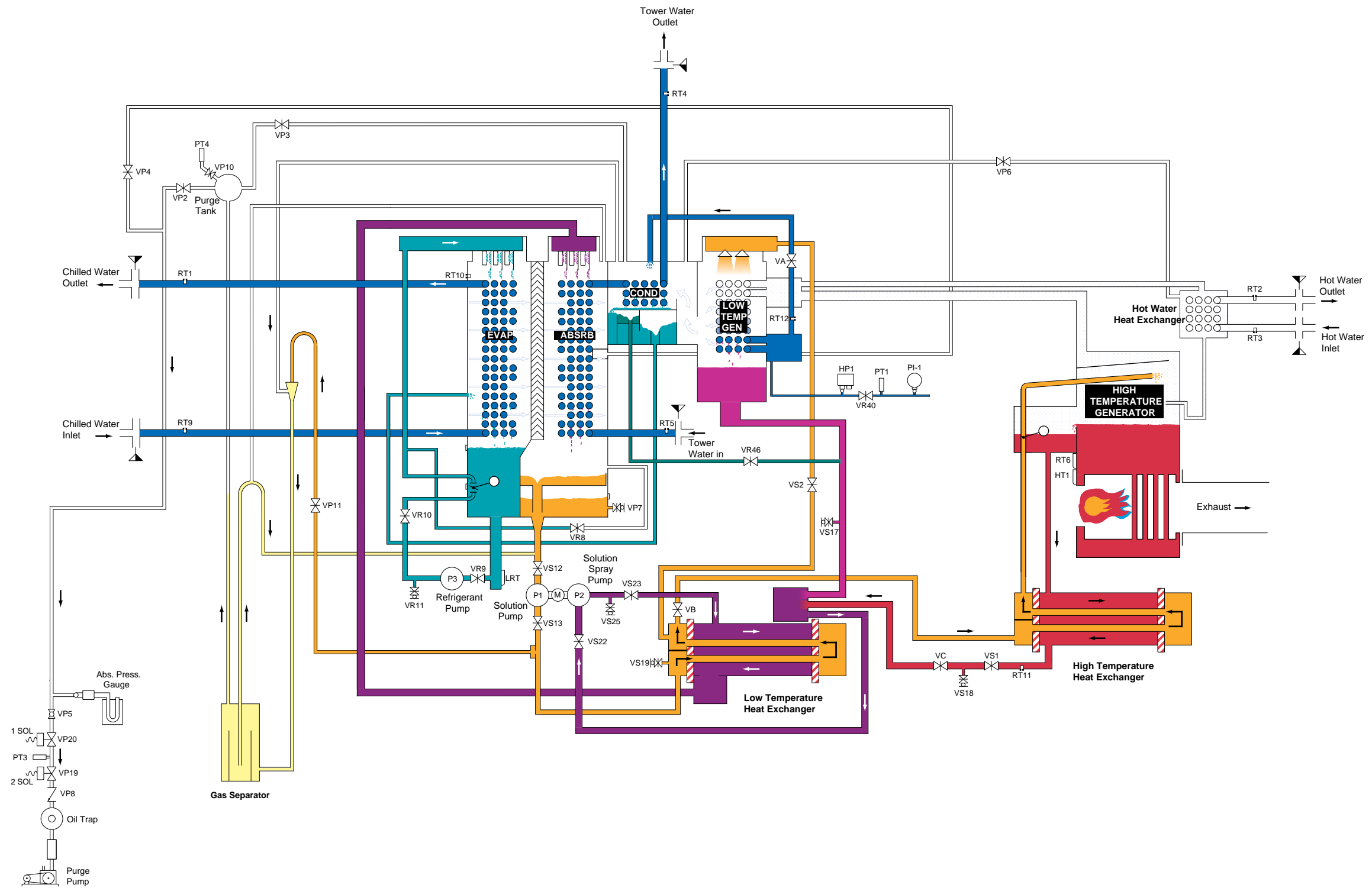
NOTE: Some valves may differ between various models

	Dilute Solution from Absorber to high, Low Temp Generator and Absorber Sprays on Cooling Water Inlet End		Condensed Refrigerant Liquid
	Intermediate Solution to Absorber Sprays		Hot and Warm Refrigerant Liquid
	Concentrated Solution from Low Temperature Generator		Hot/Warm Refrigerant Vapor
	Concentrated Solution from High Temperature Generator		Alcohol



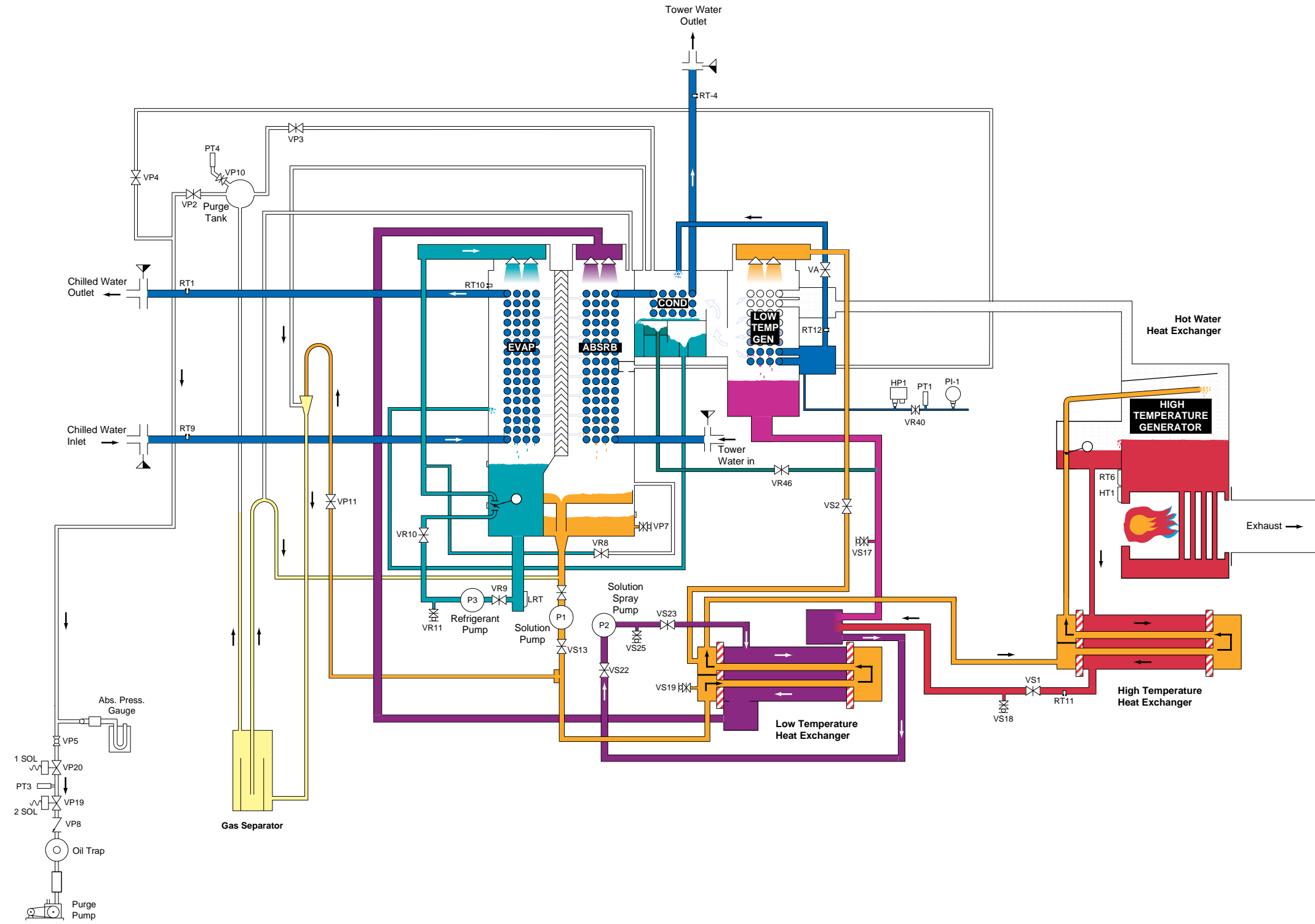
NOTE: Some valves may differ between various models

—	Dilute Solution from Absorber to high, Low Temp Generator and Absorber Sprays on Cooling Water Inlet End	—	Condensed Refrigerant Liquid
—	Intermediate Solution to Absorber Sprays	—	Hot and Warm Refrigerant Liquid
—	Concentrated Solution from Low Temperature Generator	—	Hot/Warm Refrigerant Vapor
—	Concentrated Solution from High Temperature Generator	—	Alcohol



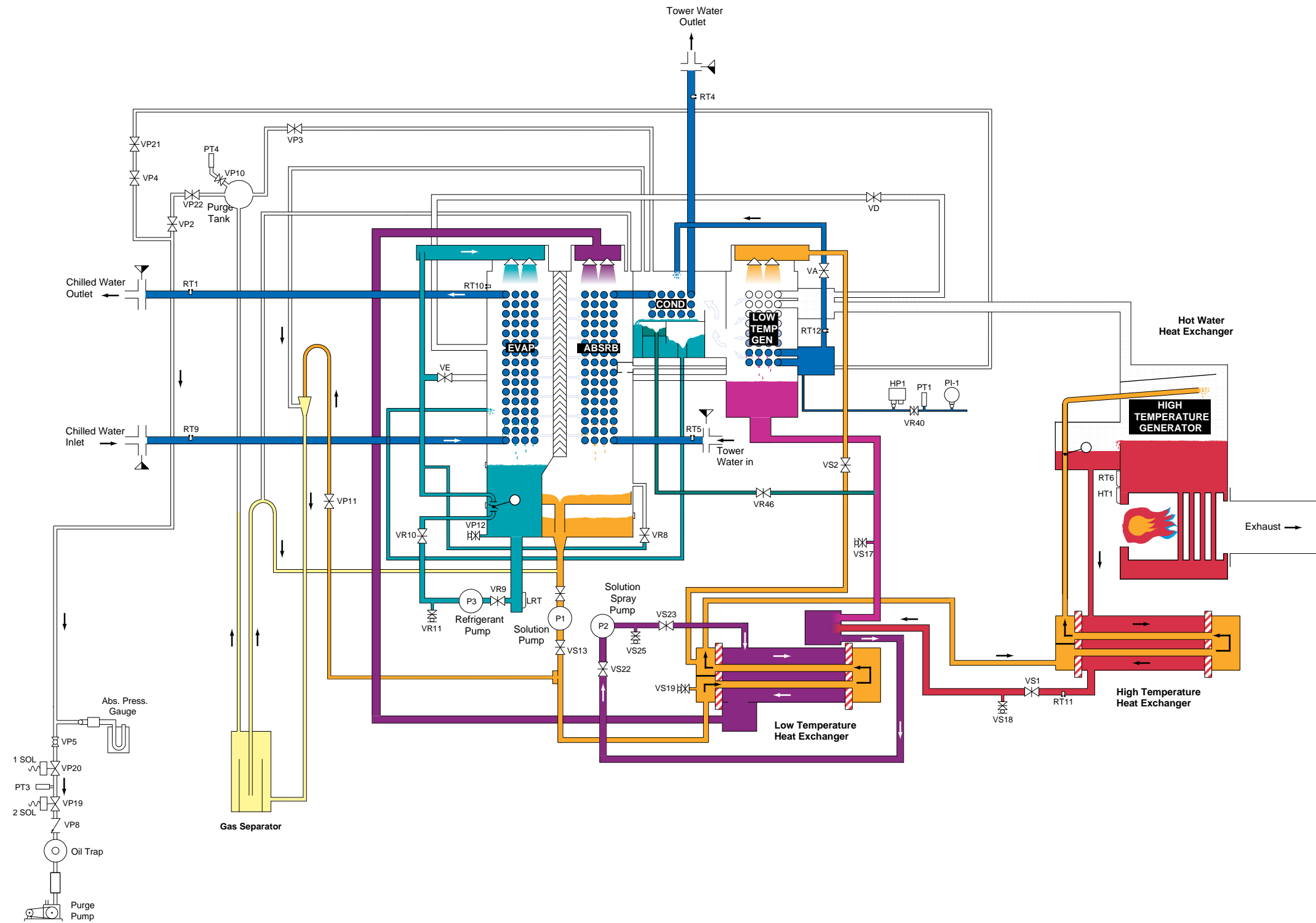
NOTE: Some valves may differ between various models

	Dilute Solution from Absorber to High, Low Temp Generator and Absorber Sprays on Cooling Water Inlet End		Condensed Refrigerant Liquid
	Intermediate Solution to Absorber Sprays		Hot and Warm Refrigerant Liquid
	Concentrated Solution from Low Temperature Generator		Hot/Warm Refrigerant Vapor
	Concentrated Solution from High Temperature Generator		Alcohol



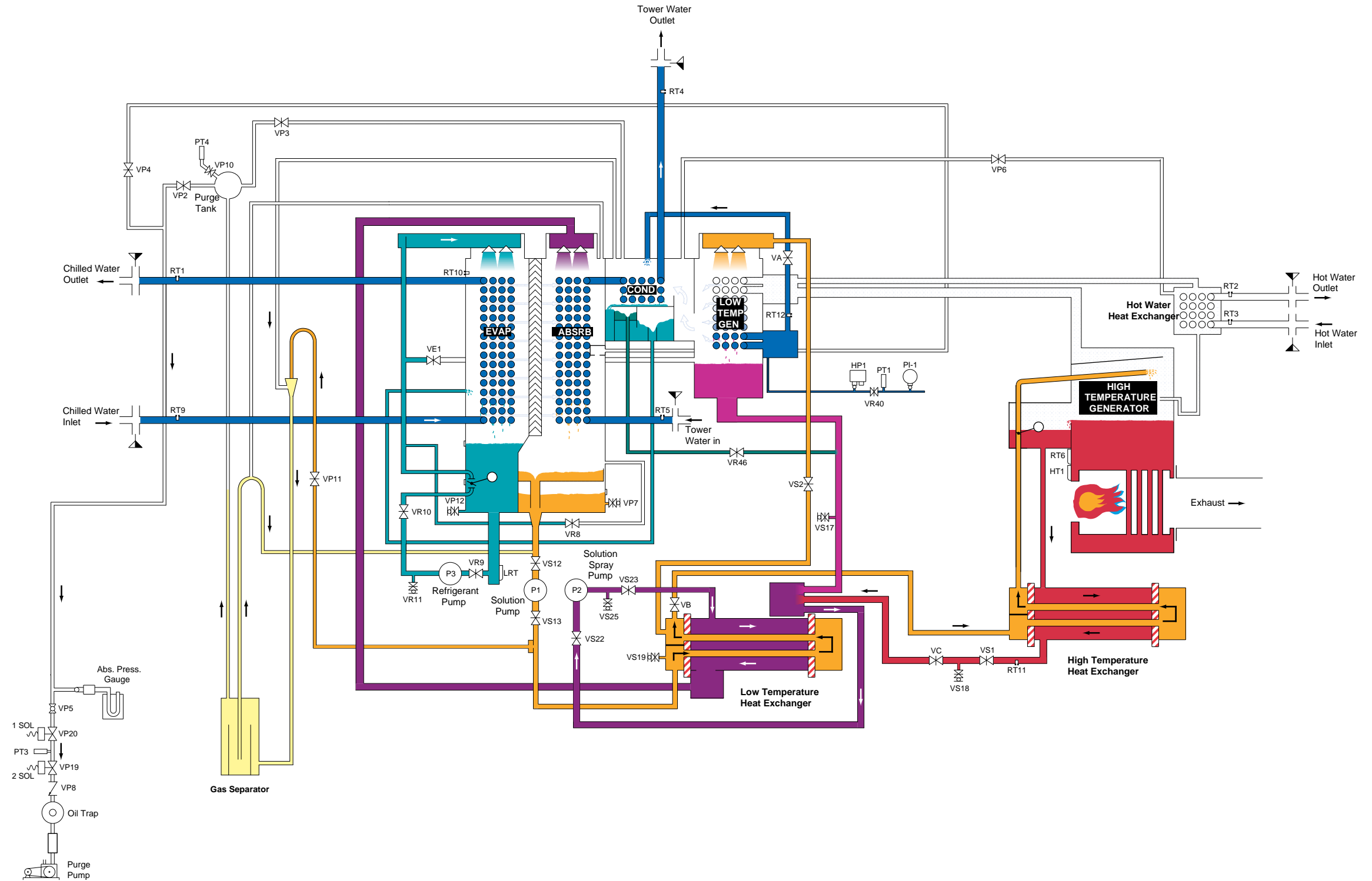
— Dilute Solution from Absorber to 1st, Low Temp Generator and Absorber Sprays on Cooling Water Inlet End	— Condensed Refrigerant Liquid
— Intermediate Solution to Absorber Sprays	— Hot and Warm Refrigerant Liquid
— Concentrated Solution from Low Temperature Generator	— Hot/Warm Refrigerant Vapor
— Concentrated Solution from High Temperature Generator	— Alcohol

NOTE: Some valves may differ between various models



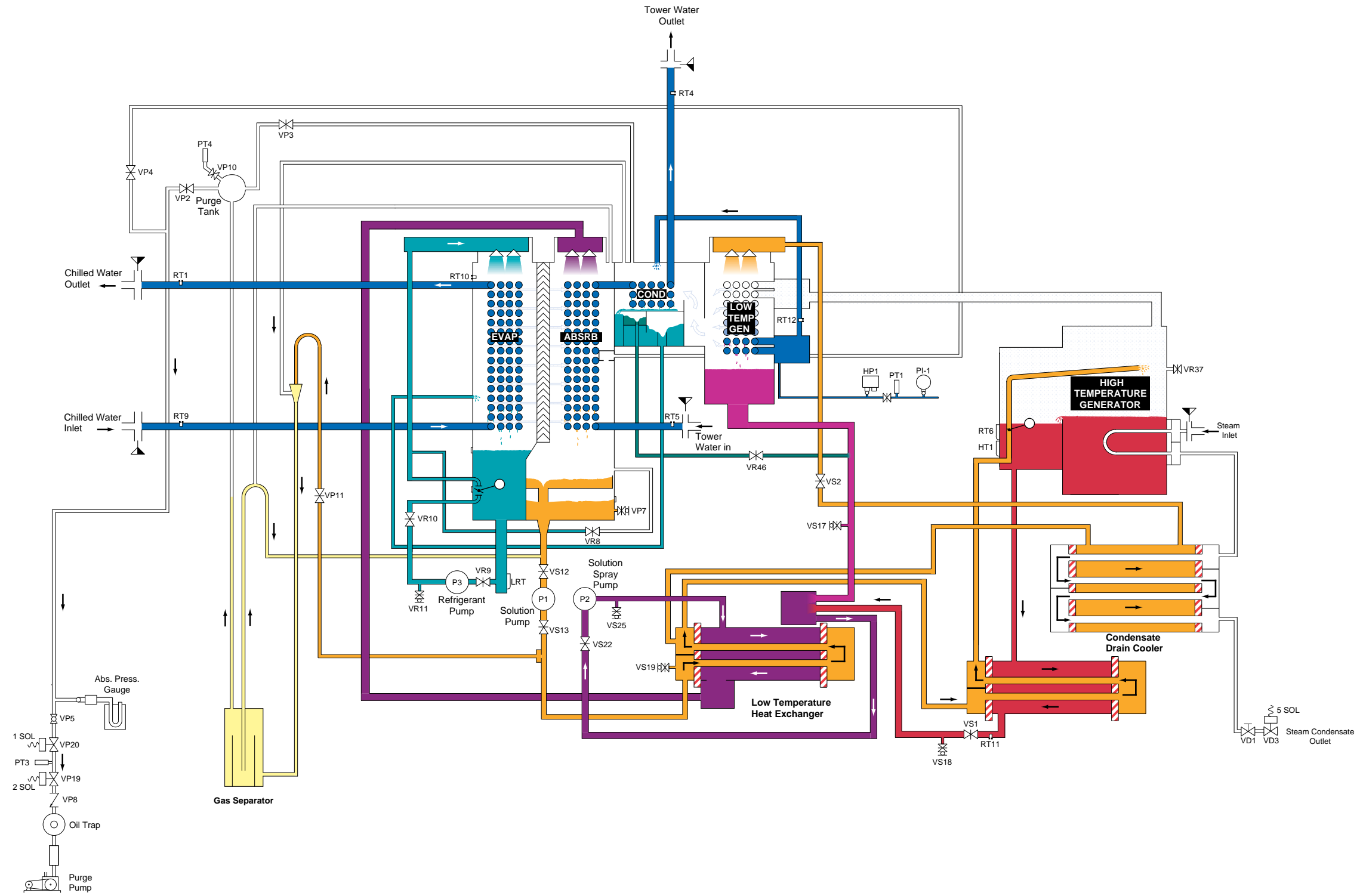
	Dilute Solution from Absorber to 1st, Low Temp Generator and Absorber Sprays on Cooling Water Inlet End		Condensed Refrigerant Liquid
	Intermediate Solution to Absorber Sprays		Hot and Warm Refrigerant Liquid
	Concentrated Solution from Low Temperature Generator		Hot/Warm Refrigerant Vapor
	Concentrated Solution from High Temperature Generator		Alcohol

NOTE: Some valves may differ between various models



—	Dilute Solution from Absorber to 1st, Low Temp Generator and Absorber Sprays on Cooling Water Inlet End	—	Condensed Refrigerant Liquid
—	Intermediate Solution to Absorber Sprays	—	Hot and Warm Refrigerant Liquid
—	Concentrated Solution from Low Temperature Generator	—	Hot/Warm Refrigerant Vapor
—	Concentrated Solution from High Temperature Generator	—	Alcohol

NOTE: Some valves may differ between various models



NOTE: Some valves may differ between various models

	Dilute Solution from Absorber to 1st, Low Temp Generator and Absorber Sprays on Cooling Water Inlet End		Condensed Refrigerant Liquid
	Intermediate Solution to Absorber Sprays		Hot and Warm Refrigerant Liquid
	Concentrated Solution from Low Temperature Generator		Hot/Warm Refrigerant Vapor
	Concentrated Solution from High Temperature Generator		Alcohol