



FLEXSYS TERMINAL UNITS

RENEWAL PARTS

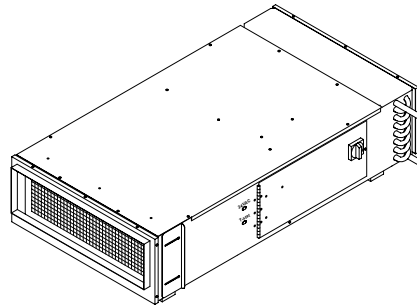
Supersedes 130.15-RP1(804)

Form 130.15-RP1(406)

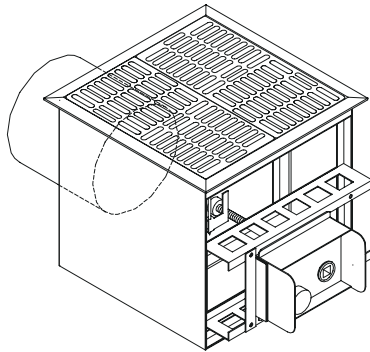
MODELS:MFT, MIT, MIT2, UFE/UFW, HCE/HCW



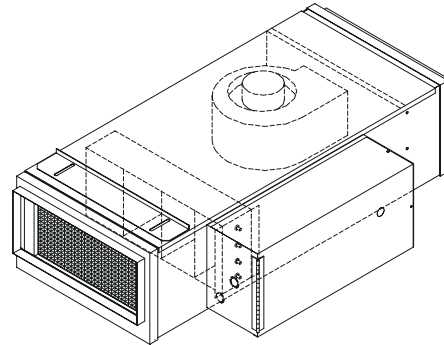
MIT2-C



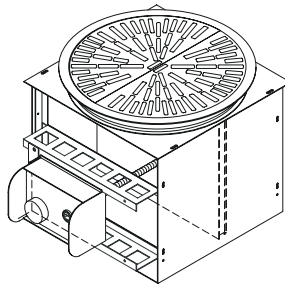
UFE/UFW



MIT-G SHOWN



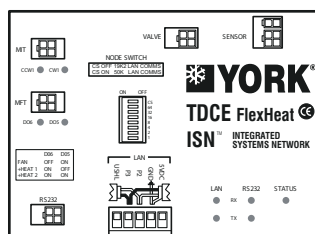
MFT



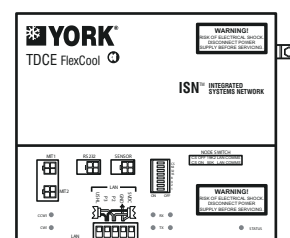
MIT-C-R SHOWN



FLEXFLOOR CONTROLLER



FLEXHEAT CONTROLLERS



FLEXCOOL CONTROLLERS

TABLE OF CONTENTS

CONTROLS - MIT23

CONTROLS.....3

ISN CONTROLLERS.....3

BLOWER ASSEMBLIES (WITHOUT MOTORS)4

MOTORS.....4

FILTERS4

FLEXFLOOR COMPONENTS4

CABLES4

MIT COMPONENTS.....5

MFT COMPONENTS5

HEATING COILS6

ELECTRIC HEAT COMPONENTS.....6

FAN HEAT TERMINAL CONTROL COMPONENTS6

TRIM RINGS/GRILLES7-8

TOUCH-UP PAINT8

Reference Documents:

- IOM FOR MIT: SEE FORM 130.15-N4. SQUARE, OR 130.15-N3 ROUND (LATEST)
- IOM FOR MFT: SEE FORM 130.15-N2.8 (LATEST)
- IOM FOR MIT2, UFE/UFW: SEE FORM 130.16-N1 (LATEST)
- USER GUIDE FOR FLEXFLOOR: SEE FORM 450.20-NOM3 (LATEST)
- SCHEMATICS FOR MIT UNDERFLOOR AIR APPLICATIONS: SEE FORM 130.15-AD11.2
- BEST PRACTICES FOR FLEXXSYS UNDERFLOOR-AIR SYSTEMS: SEE FORM 130.15-AD13
- APPLICATION DATA FOR MIT: SEE FORM 130.15-AD2
- APPLICATION DATA DO'S AND DONT'S FOR MIT AIR TERMINALS: SEE FORM 130.15-AD3

THESE DOCUMENTS CAN BE ORDERED THRU PUBLICATIONS DEPT.
 OR DOWNLOADED @ [HTTP://YORK.COM/WEB003/LIBRARY/DEFAULT.ASP](http://YORK.COM/WEB003/LIBRARY/DEFAULT.ASP)

CONTROLS - MIT2			
TYPE	YORK PART #	DESCRIPTION	WHERE USED
TCD-C	375-56223-010	Thermostat, Heat/Cool, w/ Comm, Display	All Systems Needing Heat/Cool or Comm
TCD-S	375-56223-020	Thermostat, Cooling Only, No Comm, Display	All Systems Cooling Only, No Comm
Transformer	800.0097.00	HW Transformer (120/240/277V) 32006701-001	PM-1 Power Modules
MAV-1, Air valve	440.0000.00	Single Master Air Valve	MIT2 terminals

CONTROLS			
TYPE	YORK PART #	DESCRIPTION	WHERE USED
Thermostat/Controller	32-04004-034	TSTAT-1, Cooling Only, T6984F1009	Adjustable, Non-Comm, Cooling Only
Thermostat/Controller	32-04004-026	TSTAT-2, Heat-Cool, 1-Stage Heat, T6984D1046	Adjustable, Non-Comm, Heat/Cool
Thermostat/Controller	32-04004-055	TSTAT-3, Heat-Cool, 2-Pos HW Valve or 2-Stg. EH, T6984G1007	Adjustable, Non-Comm, Heat/Cool
Power Control Modules	32-04004-029	PCM-A, Power Control Module	W14 MIT Boxes Max, with TSTAT-1, -2 or -3
Power Control Modules	32-04004-054	PCM-C, Power Control Module	Can Use 3 w/ 1 TSTAT, 1 Master/2 Slave
Thermostat/Controller	32-04004-040	DDC-1, Controls 2-Pos HW Valve or 2-Stg EH, W7763C1081	LON Compliant
Thermostat/Controller	32-04004-041	DDC-2, Controls Floating Point HW Valve, W7763C1099	LON Compliant
Wall Sensor 2	YI/10K-3-RSOC	Space Temp Sensor, w/adj., 10K, replaces 031-02432-000, 031-02529-007	ISN
Wall Sensor 1	YI/10K-3-R	Space Temp Sensor, 10K, replaces 031-02433-000, 031-02529-000	ISN
<p>Notes:</p> <p>1. Wall sensors are not available from Baltimore Parts. These must be purchased from BAPI @ 608-735-4800. These sensors use a sliding potentiometer instead of a thumbwheel and have equivalent functionality. A YORK faceplate is installed if ordered with the YI prefix. Refer to SI0140 for further information.</p>			

ISN CONTROLLERS			
TYPE	YORK PART #	DESCRIPTION	WHERE USED
Tester	32-04004-053	TEST-1	Thermostat Wiring Tester. Connected to Either a TSTAT or DDC Control to Verify Proper Wiring
Flexheat Controller	371-03773-001	ISN Controller, VAV Zone Control, Cooling/Heating	With ISN Controls, Standalone or Networked
Flexcool Controller	371-03772-001	ISN Controller, VAV Zone Control, Cooling, 115V	With ISN Controls, Standalone or Networked
Flexcool Controller	371-03772-002	ISN Controller, VAV Zone Control, Cooling, 230V	With ISN Controls, Standalone or Networked
Flexheat Controller Bacnet Config.	371-04473-001	ISN Controller, VAV Zone Control, Cooling/Heating	With ISN Controls, Standalone or Networked
Flexcool Controller Bacnet Config.	371-04472-001	ISN Controller, VAV Zone Control, Cooling, 115V	With ISN Controls, Standalone or Networked
Flexcool Controller Bacnet Config	371-04472-002	ISN Controller, VAV Zone Control, Cooling, 230V	With ISN Controls, Standalone or Networked
Keypad	371-03640-000	Handheld User Interface to Flexfloor	With ISN Controls, Underfloor Conditions

BLOWER ASSEMBLIES			
TYPE	YORK PART #	DESCRIPTION	WHERE USED
Blower/Wheel	3000.1018.10	Blower Housing 600 CFM, w/o Motor	All UFE/UFW-3 Units
Blower/Wheel	3000.1018.50	Blower Housing 300 CFM, w/o Motor	All UFE/UFW-2 Units
Blower/Wheel	1000.7612.20	Blower/Motor Assy., 150 CFM	UFE/UFW-1, HCE/HCW-1, 120V, 208V, 240V, 277V Units
MOTORS			
TYPE	YORK PART #	DESCRIPTION	WHERE USED
Fan Motor	3000.7612.10	120V 1/10 HP	UFE/UFW-2, 120V, 208V Units
Fan Motor	3000.7612.12	120V 1/6 HP	UFE/UFW-3, 120V, 208V Units
Fan Motor	3000.7612.13	240V, 1/10 HP	UFE/UFW-2, 240V Units
Fan Motor	3000.7612.14	240V, 1/6 HP	UFE/UFW-3, 240V Units
Fan Motor	3000.7612.15	277V, 1/10 HP	UFE/UFW-2, 277V, 480V Units
Fan Motor	3000.7612.16	277V, 1/6 HP	UFE/UFW-3, 277V, 480V Units
FILTERS			
TYPE	YORK PART #	DESCRIPTION	WHERE USED
Throwaway	29-00048-000	Filter, T/A, AAF#223-01-09E21E	MFT-A, -B
Throwaway	29-00048-001	Filter, T/A, AAF#223-543-051	MFT-C
Filter	3000.1019.00	Filter 10 x 22, Throwaway	All UFE/UFW Units
Filter	3000.1019.10	Filter 6 x 22, Throwaway	All UFE/UFW Units
Filter	408.1019.00	Filter 5 x 12, Throwaway	All HCE/HCW Units
FLEXFLOOR COMPONENTS			
Type	YORK PART #	Description	Where used
Flexfloor Controller	371-03687-101	IDC Control, 115V	With ISN Controls, Underfloor Conditions
Flexfloor Controller	371-03687-201	IDC Control, 230V	With ISN Controls, Underfloor Conditions
Humidity Control	025-35779-002	Underfloor Humidity Sensor	Flexfloor
Pressure Transducer	025-35808-001	Pressure Transducer, Mamac PR-275-R2-VDC	Flexfloor
Pressure Probe	025-29179-000	Probe	Flexfloor
Slab Temp Sensor	32-04004-061	Slab Sensor	Flexfloor
Connector	32-07000-002	Molex Conn w/ 18" Pigtail	Flexfloor
Relay	32-04004-062	Relay with Snaptrack	Flexfloor
CABLES			
TYPE	YORK PART #	DESCRIPTION	WHERE USED
PAP-1	375-56224-010	Gen Purpose Cable, 4-pin Male to 4-pin Male, 25' (Replaces PAP-A, part # 32-04004-027)	MIT2 Terminal Conns
PAP-2	375-56224-020	Gen Purpose Cable, 4-pin Male to 4-wire Open, 50' (Replaces PAP-B, part # 32-04004-028)	MIT2 Terminal Conns to Open Terminals
PAP-3	375-56224-030	Extension Cable, 4-pin Male to 4-pin Female, 25' (Replaces PAP-C, part # 32-04004-035)	Extension Cable
PAP-4	375-56224-040	Comm Cable, 4-pin Male to 4-pin Male/Female, 100'	PAP-7 and IBX
PAP-5	375-56224-050	Power Cable, 4-pin Male to 4-pin Male/Female, 25'	PM to MIT2 Terminals
PAP-6	375-56224-060	Heat Cable, 4-pin Male to 4-pin Male/Female, 100'	UFE/UFW to MIT2 or TCD
PAP-7	375-56224-070	T'stat Cable, 2/4-pin Males to 3/4-pin Females, 10'	TCD to UFE/UFW and MIT2 and TCD
PAP-1S	508.0000.00	Gen Purpose Cable, 4-pin Male to 4-pin Male, 5' (Replaces PAP-E, part # 32-04004-059)	MIT2 Terminal Conns
PAP-2S	509.0000.00	Gen Purpose Cable, 4-pin Male to 4-wire Open, 10' (Replaces PAP-F, part # 32-04004-066)	MIT2 Terminal Conns to Open Terminals
PAP-Coupling	502.0500.00	Gen Purpose Cable, 4-pin Female to 4-pin Female, 5'	Coupling Cable for Extending Cables

MIT COMPONENTS			
TYPE	YORK PART #	DESCRIPTION	WHERE USED
Actuator	31-12028-001	24V, ML6144A1015	MIT-C, -D, -E, -G, -H
Damper Rod Assembly	59-48000-001	Screw Rod Assembly	MIT-C, -D, -E, -G, -H, 10 x 10, 10 x 7.5
Damper Rod Assembly	59-48000-004	Screw Rod Assembly	MIT-NS, 7.5 X 5
Damper Assembly	52-08000-001	MIT, 10 x 10 x 10	MIT-C, -D, -G, -H 10x10 and Round
Damper Assembly	52-08000-002	MIT, 10 x 10 x 10	MIT-E; MIT-E Round
Damper Assembly	52-08000-003	MIT, 10 x 10 x 7.5	MIT-C-S, -D-S, -E-S, -G-S
Damper Assembly	52-08000-010	MIT, 10 x 7.5 x 5	MIT-C-NS, -D-NS, -G-NS, -H-NS
Damper Assembly	52-08000-011	MIT, 10 x 10 x 7.5	MIT-C-S, -D-S, -G-S, -H-S Round
Damper Assembly	59-08000-000	MIT, 10 x 10 x 10	MIT-C, -D, -G, -H Round
Damper Rod Support	M2579700	Damper Rod Support/Shelf	MIT-C, -D, -E, -G
Damper Bearing	34-03009-000*	Damper Plate Bearing	MIT-C, -D, -E, -G, -H
Rod Bushing	34-03013-000*	Nylon Bushing, 1/2 OD x 3/8 ID x 9/16 Lg.	MIT-C, -D, -E, -G, -H
Actuator Stop Bracket	49-25000-001	Sheet Metal Bracket	MIT-C, -D, -E, -G, -H, All
Retaining Clip	49-25000-002*	Clip, Damper Bearing	MIT-C, -D, -E, -G, -H
Grommet	34-05000-006	Grommet 1/2 x 1-1/2, SBR	MIT Boxes
Tiedown Bracket	49-25000-006	Sheet Metal Clip for Trim Ring	MIT
* is included with damper assembly above			

MFT COMPONENTS			
TYPE	YORK PART #	DESCRIPTION	WHERE USED
Transformer	31-00000-001	208/240-24, 40VA	MFT Various
Transformer	31-00004-000	277-24, 75VA w/Brkr	MFT Electric Heat
Transformer	31-00007-000	120-24V, 40VA	MFT Various
Transformer	31-00010-000	277-24V, 45VA	MFT Various
Transformer	31-00018-000	130-24V, 100VA	MFT Various
Transformer	31-00019-000	277-24V, 100VA	MFT Various
Transformer	31-00020-000	208/240-24V, 100VA	MFT Various
Relays	31-00021-000	3-Pole, 24V	MFT Various
Relays	31-01004-000	3-PDT, 24V	MFT Various
Relays	31-01008-000	3-Pole, 24V, 30A	MFT , 208-3 and 480-3 Voltages
Contactors	31-01009-000	2-Pole, 30A, 24V	MFT Various
Disconnect	59-12028-040	DNF40	MFT-Electric Heat
Disconnect	31-08015-001	DNF20	MFT Hot Water
Motors	31-02012-000	1/10 HP, PSC, 115V	MFT-A, -B, 115V
Motors	31-02012-001	1/10 HP, PSC, 277V	MFT-A, -B, 277V
Motors	31-02012-002	1/6 HP, PSC, 115V	MFT-C, 115V
Motors	31-02012-003	1/6 HP, PSC, 277V	MFT-C, 277V
Motors	31-02019-000	1/10 HP, 240V, 50 HZ	MFT-A, -B, 240-1-50
Motors	31-02019-001	1/6 HP, 240V, 50 HZ	MFT-C, 240-1-50
Blowers	35-01007-000	FC, DD9-4A	MFT-A, -B
Blowers	35-01009-000	FC, DD10-4A	MFT-C
Blower/motor Assy.	35-00000-002	Blower Assy, 115V, 150 CFM	MFT-AS
Grommet	34-05000-001	Grommet 5/8 x 1-1/8, SBR	MFT Boxes

HEATING COILS			
TYPE	YORK PART #	DESCRIPTION	WHERE USED
Hot Water Coil	39-00000-017	Coil, 1-Row, 1/2" Tube, 10 X 17	MFT-A, -B, -C
Hot Water Coil	39-00000-022	Coil, 1-Row, 1/2" Tube, 10 X 22	MFT-A, -B, -C
Hot Water Coil	39-00001-017	Coil, 2-Row, 1/2" Tube, 10 X 17	MFT-B, -C
Hot Water Coil	39-00008-022	Coil, 2-Row, 1/2" Tube, 10 X 22	MFT-B, -C
Hot Water Coil	408.0700.00	Coil, 4 x 8, 2-row, 1-circ	UFW-1, HCW-1
Hot Water Coil	39-00000-022	Coil, 10 x 22, 1-row, 1-circ	UFW-2, -3
Hot Water Coil	39-00008-022	Coil, 10 x 22, 2-row, 2-circ	UFW-2, -3

ELECTRIC HEAT COMPONENTS			
TYPE	YORK PART #	DESCRIPTION	WHERE USED
Heater element	1000.7412.15	120V, 1.5 KW	UFE-1, -2, 120V Units
Heater element	1000.7427.15	277V, 1.5 KW	UFE-1, -2, 277V Units
Heater element	3000.7520.15	240V, 1.5 KW	UFE-1, -2, -3, 208V, 240V Units
Heater element	3000.7520.30	240V, 3.0 KW	UFE-2, -3, 208V, 240V Units
Heater element	3000.7527.30	277V, 3.0 KW	UFE-2, -3, 240V, 277V Units
Heater element	3000.7548.16	480V, 1.5 KW	UFE-3, 480V Units
Heater element	3000.7548.30	480V, 3.0 KW	UFE-3, 480V Units

FAN HEAT TERMINAL CONTROL COMPONENTS			
TYPE	YORK PART #	DESCRIPTION	WHERE USED
Circuit Board	3000.0060.00	CB-1 Circuit Board	All UFE/UFW Units
Limit, Auto, 180	3000.0068.00	Limit, Auto-reset, Model 3L01-181, 180	All UFE Units
Fuseholder	3000.0069.10	Fuse Holder, R600-30CR, 60308R	All UFE 208V, 240V Units
Fuseholder	3000.0069.20	Fuse Holder, 3-pole, Class CC, 30323R	All UFE/UFW Units
Fuseholder	3000.0069.30	Ferra Shawmut GPM -Brr 30 Amp Pannel	All UFE/UFW Units
Fuseholder	3000.0069.40	Fuse Holder, 1-pole, Ferra Shawmut	All UFE/UFW Units
Thermistor	3000.0071.00	Thermistor 10K-Ohm [Digi-Key]	All UFE/UFW Units
Disc Switch	3000.0267.00	ABB Disconnect Switch (OT25E3)	All UFE/UFW Units
Disc Switch	3000.0268.00	ABB Disconnect Switch (OT45E3)	All UFE/UFW Units
Disc Switch Knob	3000.0269.00	ABB Selector Handle (OHB3AH1)	All UFE/UFW Units
Disc Switch Shaft	3000.0270.00	ABB Selector Handle Shaft (OXS5X105)	All UFE/UFW Units
Disc Switch Shaft	3000.0270.10	ABB Selector Handle Shaft (OXS5X130)	All UFE/UFW Units
SS Relay	3000.0274.10	Contactora, 40A, 1-pole, 84134120, Covered	All UFE 240V, 277V Units
SS Relay	3000.0274.30	Contactora, 25A, 2-pole, 84140500, 48 Out	All UFE 208V, 240V and 277V Units
SS Relay	3000.0274.40	Contactora, 25A, 1-pole, 84134110	All UFE/UFW Units
SS Relay	3000.0274.60	Contactora, 40A, 2-pole, 84140600	All UFE/UFW 208V, 240V Units
Term Block	3000.1020.10	Term Block, 20A, C383RK25-A2\011511607	All UFE/UFW Units
Term Block	3000.1020.20	Terminal Block, 30A, C383RK254-A2\	All UFE/UFW Units
Transformer	3000.0061.15	Transformer, 120/208/240/277v-24v, 100va, Micron	All UFE/UFW Units

TRIM RINGS/GRILLES			
TYPE	YORK PART #	DESCRIPTION	COLOR
Kit, Trim Ring and Grille	59-49011-100	Trim Ring, Grille, 10 X 10 Square	SHOT Blast Alum
Kit, Trim Ring and Grille	59-49011-200	Trim Ring, Grille, 10 X 10 Square	RAL 1019 Beige
Kit, Trim Ring and Grille	59-49011-201	Trim Ring, Grille, 10 X 10 Square	RAL 9002 Putty
Kit, Trim Ring and Grille	59-49011-202	Trim Ring, Grille, 10 X 10 Square	RAL 9014 Dark Brown
Kit, Trim Ring and Grille	59-49011-203	Trim Ring, Grille, 10 X 10 Square	RAL 7012 Gray
Kit, Trim Ring and Grille	59-49011-204	Trim Ring, Grille, 10 X 10 Square	RAL 9011 Black
Kit, Trim Ring and Grille	59-49011-205	Trim Ring, Grille, 10 X 10 Square	RAL 7021 Dark Charcoal
Kit, Trim Ring and Grille	59-49011-300	Trim Ring, Grille, 10 X 10 Square	Silver 09/90250
Kit, Trim Ring and Grille	59-49011-301	Trim Ring, Grille, 10 X 10 Square	Antique Gray 09/90170
Kit, Trim Ring and Grille	59-49011-302	Trim Ring, Grille, 10 X 10 Square	Antique Copper 09/90180
Kit, Trim Ring and Grille	59-49011-303	Trim Ring, Grille, 10 X 10 Square	Antique Silver 09/90190
Kit, Trim Ring and Grille	59-49011-304	Trim Ring, Grille, 10 X 10 Square	Antique Gold 09/90200
Kit, Trim Ring and Grille	59-49011-400	Trim Ring, Grille, 10 X 10 Rectangular, Tamper-proof	SHOT Blast Alum
Kit, Trim Ring and Grille	59-49011-500	Trim Ring, Grille, 10 X 10 Rectangular, Tamper-proof	RAL 1019 Beige
Kit, Trim Ring and Grille	59-49011-501	Trim Ring, Grille, 10 X 10 Rectangular, Tamper-proof	RAL 9002 Putty
Kit, Trim Ring and Grille	59-49011-502	Trim Ring, Grille, 10 X 10 Rectangular, Tamper-proof	RAL 9014 Dark Brown
Kit, Trim Ring and Grille	59-49011-503	Trim Ring, Grille, 10 X 10 Rectangular, Tamper-proof	RAL 7012 Gray
Kit, Trim Ring and Grille	59-49011-504	Trim Ring, Grille, 10 X 10 Rectangular, Tamper-proof	RAL 9011 Black
Kit, Trim Ring and Grille	59-49011-505	Trim Ring, Grille, 10 X 10 Rectangular, Tamper-proof	RAL 7021 Dark Charcoal
Kit, Trim Ring and Grille	59-49011-600	Trim Ring, Grille, 10 X 10 Rectangular, Tamper-proof	Silver 09/90250
Kit, Trim Ring and Grille	59-49011-601	Trim Ring, Grille, 10 X 10 Rectangular, Tamper-proof	Antique Gray 09/90170
Kit, Trim Ring and Grille	59-49011-602	Trim Ring, Grille, 10 X 10 Rectangular, Tamper-proof	Antique Copper 09/90180
Kit, Trim Ring and Grille	59-49011-603	Trim Ring, Grille, 10 X 10 Rectangular, Tamper-proof	Antique Silver 09/90190
Kit, Trim Ring and Grille	59-49011-604	Trim Ring, Grille, 10 X 10 Rectangular, Tamper-proof	Antique Gold 09/90200
Kit, Trim Ring and Grille	59-49012-100	Trim Ring, Grille, Round	SHOT Blast Alum
Kit, Trim Ring and Grille	59-49012-200	Trim Ring, Grille, Round	Beige RAL 1019
Kit, Trim Ring and Grille	59-49012-201	Trim Ring, Grille, Round	Putty RAL 9002
Kit, Trim Ring and Grille	59-49012-202	Trim Ring, Grille, Round	Dark Brown RAL 9014
Kit, Trim Ring and Grille	59-49012-203	Trim Ring, Grille, Round	Gray RAL 7012
Kit, Trim Ring and Grille	59-49012-204	Trim Ring, Grille, Round	Black RAL 9011
Kit, Trim Ring and Grille	59-49012-205	Trim Ring, Grille, Round	Dark Charcoal RAL 7021
Kit, Trim Ring and Grille	59-49012-300	Trim Ring, Grille, Round	Silver 09/90250
Kit, Trim Ring and Grille	59-49012-301	Trim Ring, Grille, Round	Antique Gray 09/90170
Kit, Trim Ring and Grille	59-49012-302	Trim Ring, Grille, Round	Antique Copper 09/90180
Kit, Trim Ring and Grille	59-49012-303	Trim Ring, Grille, Round	Antique Silver 09/90190
Kit, Trim Ring and Grille	59-49012-304	Trim Ring, Grille, Round	Antique Gold 09/90200
Kit, Trim Ring and Grille	59-49012-400	Trim Ring, Grille, Round, Tamper-proof	SHOT Blast Alum
Kit, Trim Ring and Grille	59-49012-500	Trim Ring, Grille, Round, Tamper-proof	Beige RAL 1019
Kit, Trim Ring and Grille	59-49012-501	Trim Ring, Grille, Round, Tamper-proof	Putty RAL 9002
Kit, Trim Ring and Grille	59-49012-502	Trim Ring, Grille, Round, Tamper-proof	Dark Brown RAL 9014
Kit, Trim Ring and Grille	59-49012-503	Trim Ring, Grille, Round, Tamper-proof	Gray RAL 7012
Kit, Trim Ring and Grille	59-49012-504	Trim Ring, Grille, Round, Tamper-proof	Black RAL 9011
Kit, Trim Ring and Grille	59-49012-505	Trim Ring, Grille, Round, Tamper-proof	Dark Charcoal RAL 7021
Kit, Trim Ring and Grille	59-49012-600	Trim Ring, Grille, Round, Tamper-proof	Silver 09/90250
Kit, Trim Ring and Grille	59-49012-601	Trim Ring, Grille, Round, Tamper-proof	Antique Gray 09/90170

Continued Nest Page

TRIM RINGS/GRILLES (Continued)

TYPE	YORK PART #	DESCRIPTION	COLOR
Kit, Trim Ring and Grille	59-49012-602	Trim Ring, Grille, Round, Tamper-proof	Antique Copper 09/90180
Kit, Trim Ring and Grille	59-49012-603	Trim Ring, Grille, Round, Tamper-proof	Antique Silver 09/90190
Kit, Trim Ring and Grille	59-49012-604	Trim Ring, Grille, Round, Tamper-proof	Antique Gold 09/90200
Kit, Trim Ring and Grille	59-49013-100	Trim Ring, Grille, 5 X 10 Rectangular	SHOT Blast Alum
Kit, Trim Ring and Grille	59-49013-200	Trim Ring, Grille, 5 X 10 Rectangular	Beige RAL 1019
Kit, Trim Ring and Grille	59-49013-201	Trim Ring, Grille, 5 X 10 Rectangular	Putty RAL 9002
Kit, Trim Ring and Grille	59-49013-202	Trim Ring, Grille, 5 X 10 Rectangular	RAL 9014 Dark Brown
Kit, Trim Ring and Grille	59-49013-203	Trim Ring, Grille, 5 X 10 Rectangular	Gray RAL 7012
Kit, Trim Ring and Grille	59-49013-204	Trim Ring, Grille, 5 X 10 Rectangular	Black RAL 9011
Kit, Trim Ring and Grille	59-49013-205	Trim Ring, Grille, 5 X 10 Rectangular	Dark Charcoal RAL 7021
Kit, Trim Ring and Grille	59-49013-300	Trim Ring, Grille, 5 X 10 Rectangular	Silver 09/90250
Kit, Trim Ring and Grille	59-49013-301	Trim Ring, Grille, 5 X 10 Rectangular	Antique Gray 09/90170
Kit, Trim Ring and Grille	59-49013-302	Trim Ring, Grille, 5 X 10 Rectangular	Antique Copper 09/90180
Kit, Trim Ring and Grille	59-49013-303	Trim Ring, Grille, 5 X 10 Rectangular	Antique Silver 09/90190
Kit, Trim Ring and Grille	59-49013-304	Trim Ring, Grille, 5 X 10 Rectangular	Antique Gold 09/90200
Kit, Trim Ring and Grille	59-49013-400	Trim Ring, Grille, 5 X 10 Rectangular, Tamper-proof	SHOT Blast Alum
Kit, Trim Ring and Grille	59-49013-500	Trim Ring, Grille, 5 X 10 Rectangular, Tamper-proof	Beige RAL 1019
Kit, Trim Ring and Grille	59-49013-501	Trim Ring, Grille, 5 X 10 Rectangular, Tamper-proof	Putty RAL 9002
Kit, Trim Ring and Grille	59-49013-502	Trim Ring, Grille, 5 X 10 Rectangular, Tamper-proof	RAL 9014 Dark Brown
Kit, Trim Ring and Grille	59-49013-503	Trim Ring, Grille, 5 X 10 Rectangular, Tamper-proof	Gray RAL 7012
Kit, Trim Ring and Grille	59-49013-504	Trim Ring, Grille, 5 X 10 Rectangular, Tamper-proof	Black RAL 9011
Kit, Trim Ring and Grille	59-49013-505	Trim Ring, Grille, 5 X 10 Rectangular, Tamper-proof	Dark Charcoal RAL 7021
Kit, Trim Ring and Grille	59-49013-600	Trim Ring, Grille, 5 X 10 Rectangular, Tamper-proof	Silver 09/90250
Kit, Trim Ring and Grille	59-49013-601	Trim Ring, Grille, 5 X 10 Rectangular, Tamper-proof	Antique Gray 09/90170
Kit, Trim Ring and Grille	59-49013-602	Trim Ring, Grille, 5 X 10 Rectangular, Tamper-proof	Antique Copper 09/90180
Kit, Trim Ring and Grille	59-49013-603	Trim Ring, Grille, 5 X 10 Rectangular, Tamper-proof	Antique Silver 09/90190
Kit, Trim Ring and Grille	59-49013-604	Trim Ring, Grille, 5 X 10 Rectangular, Tamper-proof	Antique Gold 09/90200

TOUCH-UP PAINT

TYPE	YORK PART #	DESCRIPTION	COLOR
Paint	59-49011-902	Touch-Up Paint, 12 Oz Spray Can	Color = Putty
Paint	59-49011-903	Touch-Up Paint, 12 Oz Spray Can	Color = Dark Brown
Paint	59-49011-904	Touch-Up Paint, 12 Oz Spray Can	Color = Gray
Paint	59-49011-905	Touch-Up Paint, 12 Oz Spray Can	Color = Black
Paint	59-49011-906	Touch-Up Paint, 12 Oz Spray Can	Color = Dark Charcoal
Paint	59-49011-907	Touch-Up Paint, 12 Oz Spray Can	Color = Silver Hammertone
Paint	59-49011-908	Touch-Up Paint, 12 Oz Spray Can	Color = Antique Gray Hammertone
Paint	59-49011-909	Touch-Up Paint, 12 Oz Spray Can	Color = Antique Copper Hammertone
Paint	59-49011-910	Touch-Up Paint, 12 Oz Spray Can	Color = Antique Silver Hammertone
Paint	59-49011-911	Touch-Up Paint, 12 Oz Spray Can	Color = Antique Gold Hammertone



A JOHNSON CONTROLS COMPANY

P.O. Box 1592, York, Pennsylvania USA 17405-1592

Copyright © by Johnson Controls 2006

Form 130.15-RP1 (406)

Supersedes 130.15-RP1 (804)

Tele. 800-861-1001

www.York.com

Subject to change without notice. Printed in USA

ALL RIGHTS RESERVED