



S70-450 SPL/APR 2003

File: SERVICE MANUAL - Section 70
Replaces: S70-450 SPL/JUN 99
Dist: 3, 3a, 3b, 3c

Service Parts List

XJS/XJF

ROTARY SCREW COMPRESSORS

MODELS: 95, 120 and 151





HOW TO USE SERVICE PARTS LIST

This Service Parts List is for standard Frick XJS and XJF, Rotary Screw Compressor Units. Units built with special options, modifications, or conversions are not taken into consideration.

This Service Parts List provides identification for detail parts by Figure and Index Number, Item Number and Description. To determine correct replacement item, locate item on Figure 1, 2, etc., note index number, refer to corresponding index number in parts list for item number and description. Quantity per assembly is located in QTY. column. Unit of measure is always "each" unless specified otherwise in Quantity column. When Ref. is in QTY. column, this means that the Item Number is for information only and is not necessarily a service replacement part. Contact Frick® Baltimore Parts Center for more information. REV. (Revision) column tells the level of the engineering drawing used here.

The Numerical Parts List can be used to locate a specific item in the Service Parts List. Look for the part by Frick Item Number and it will refer you to the Figure and Index Number where it is located.

Abbreviations found in this manual include:

A/R As Required

Ref. Reference

The **Model/SerialNumber Plate**, is located on the rotor casing assembly.

NOTE: PLEASE PROVIDE FRICK ORDER NUMBER, UNIT MODEL NUMBER, AND UNIT SERIAL NUMBER WHEN REQUESTING A QUOTATION OR PLACING AN ORDER. FAILURE TO INCLUDE THIS INFORMATION MAY DELAY PROCESSING OF YOUR REQUEST.

TABLE OF CONTENTS

XJS 95 & 120 RECOMMENDED SPARE PARTS KITS	3
XJF 95 & 120 RECOMMENDED SPARE PARTS KITS	3
XJF 151 RECOMMENDED SPARE PARTS KITS	3
Figure 1a. XJS 95 & 120 Screw Compressor, Typical.	4
Figure 1b. XJS 95 & 120 Screw Compressor, Typical.	5
Figure 2. XJS 120 Slide Valve Stop Assembly, Handwheel.	10
Figure 3a. XJF 95 & 120 Screw Compressor, Typical.	12
Figure 3b. XJF 95 & 120 Screw Compressor, Typical.	13
Figure 4a. XJF 151 Screw Compressor.	18
Figure 4b. XJF 151 Screw Compressor.	19
Figure 5. XJF 151 Slide Valve Stop Assembly, Handwheel.	24
FRICK COMPRESSOR OILS	26
FRICK BLUE PAINT	26
NUMERICAL PARTS LIST	28



CURRENT XJS 95 & 120 RECOMMENDED SPARE PARTS KITS

DESCRIPTION	95S	95M	95L	120S	120M	120L
Shaft Seal Kit	111Q0043229	111Q0043229	111Q0043229	111Q0043231	111Q0043231	111Q0043231
O-ring & Gasket Kit	111Q0043226	111Q0043226	111Q0043226	111Q0043223	111Q0043223	111Q0043223
Slide Valve Kit	534M0041G01	534M0041G01	534M0041G01	534M0040G01	534M0040G01	534M0040G01
Jackshaft Kit ⁽¹⁾⁽²⁾	534C1465G01	534C1465G02	534C1465G03	534C1451G01	534C1451G02	534C1451G03
Bearing Kit ⁽³⁾	534M0488G01	534M0488G01	534M0488G01	534M0489G01	534M0489G01	534M0489G01
Thrust Bearing Kit ⁽³⁾	534M0250G01	534M0250G01	534M0250G01	534M0251G01	534M0251G01	534M0251G01
Linear Transmitter ⁽⁴⁾	534C1552H02	534C1552H02	534C1552H02	534C1552H02	534C1552H02	534C1552H02
Compressor Tool Kit	534M0008G01	534M0008G01	534M0008G01	534M0008G02	534M0008G02	534M0008G02

Note: When stocking the above, the quantity should be adjusted to meet your individual requirements.

(1) Contains Shaft Seal Kit and shims.

(2) For S/N 0061A, 0022B, 0054C, 0211D, 0098E, 0085F and after, with thick gear cover. Contact Baltimore Parts Center for earlier compressors with thin gear cover.

(3) Thrust Bearing Kit items are included in Bearing Kit. Both supply shims.

(4) For units with Quantum™ Controls.

CURRENT XJF 95 & 120 RECOMMENDED SPARE PARTS KITS

DESCRIPTION	95S	95M	95L	120S	120M	120L
Shaft Seal Kit	111Q0043229	111Q0043229	111Q0043229	111Q0043231	111Q0043231	111Q0043231
O-ring & Gasket Kit	111Q0043226	111Q0043226	111Q0043226	111Q0043223	111Q0043223	111Q0043223
Slide Valve Kit	534M0041G01	534M0041G01	534M0041G01	534M0040G01	534M0040G01	534M0040G01
Jackshaft Kit ⁽¹⁾	534C1465G01	534C1465G02	534C1465G03	534C1451G01	534C1451G02	534C1451G03
Bearing Kit ⁽²⁾	534M0488G02	534M0488G02	534M0488G02	534M0489G01	534M0489G01	534M0489G01
Thrust Bearing Kit ⁽²⁾	534M0250G01	534M0250G01	534M0250G01	534M0251G01	534M0251G01	534M0251G01
Linear Transmitter ⁽³⁾	534C1552H02	534C1552H02	534C1552H02	534C1552H02	534C1552H02	534C1552H02
Compressor Tool Kit	534M0008G01	534M0008G01	534M0008G01	534M0008G02	534M0008G02	534M0008G02

Note: When stocking the above, the quantity should be adjusted to meet your individual requirements.

(1) Contains Shaft Seal Kit and shims.

(2) Thrust Bearing Kit items are included in Bearing Kit. Both supply shims.

(3) For units with Quantum™ Controls.

CURRENT XJF 151 RECOMMENDED SPARE PARTS KITS

DESCRIPTION	151A	151M	151L	151N
Shaft Seal Kit	534M0602G02	534M0602G02	534M0602G02	534M0602G02
O-ring & Gasket Kit	534M0602G01	534M0602G01	534M0602G01	534M0602G01
Jackshaft Kit ⁽¹⁾	534M0602G04	534M0602G05	534M0602G06	534M0602G07
Bearing Kit ⁽²⁾	534M0602G03	534M0602G03	534M0602G03	534M0602G03
Linear Transmitter	534C1552H02	534C1552H02	534C1552H02	534C1552H02
Compressor Tool Kit	534M0483G01	534M0483G01	534M0483G01	534M0483G01

Note: When stocking the above, the quantity should be adjusted to meet your individual requirements.

(1) Contains Shaft Seal Kit.

(2) Contains shims.

SEE FIGURE 2 FOR HANDWHEEL SLIDE VALVE/SLIDE STOP PARTS.

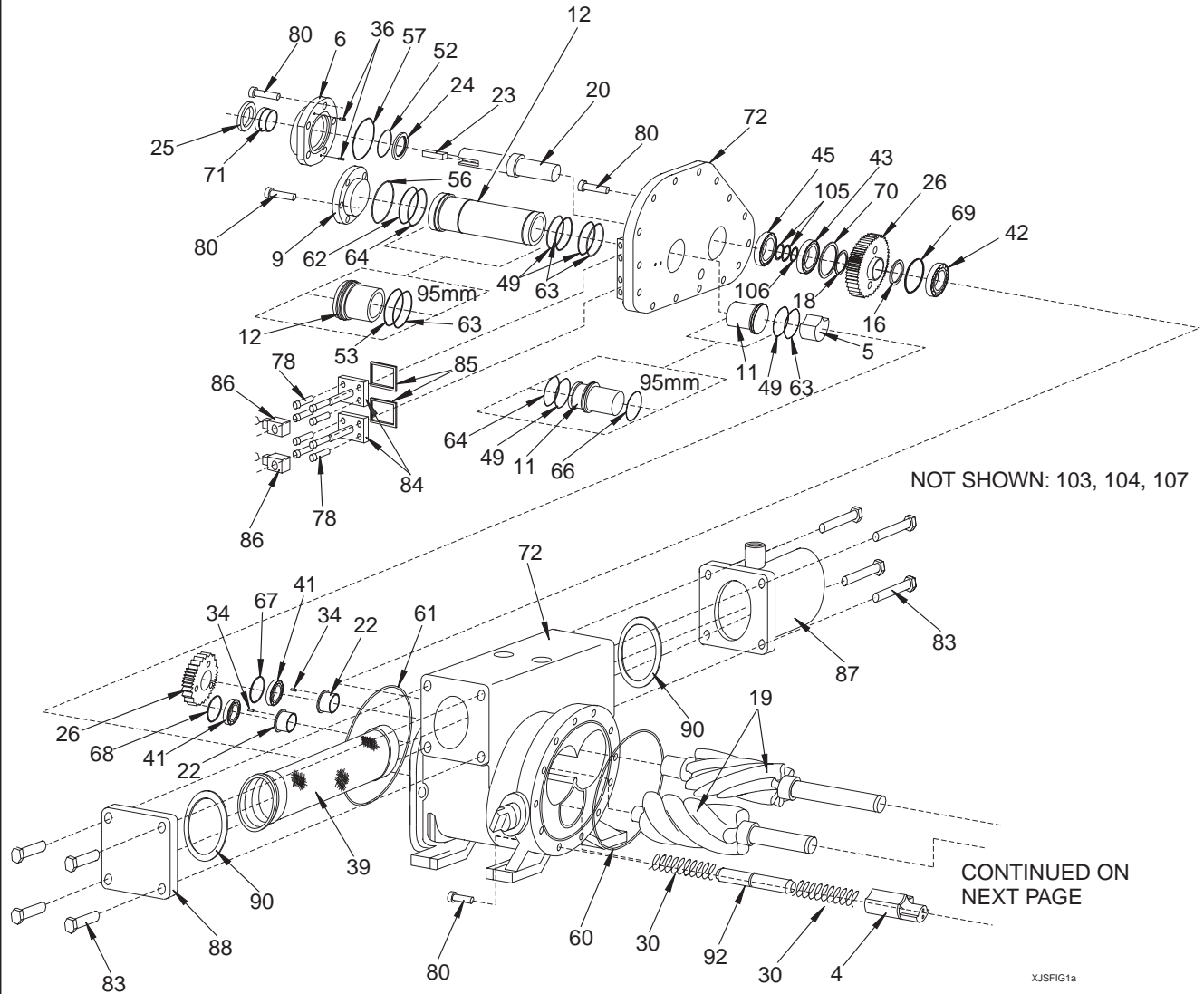


Figure 1a. XJS 95 & 120 Screw Compressor, Typical.

XJSFIG1a

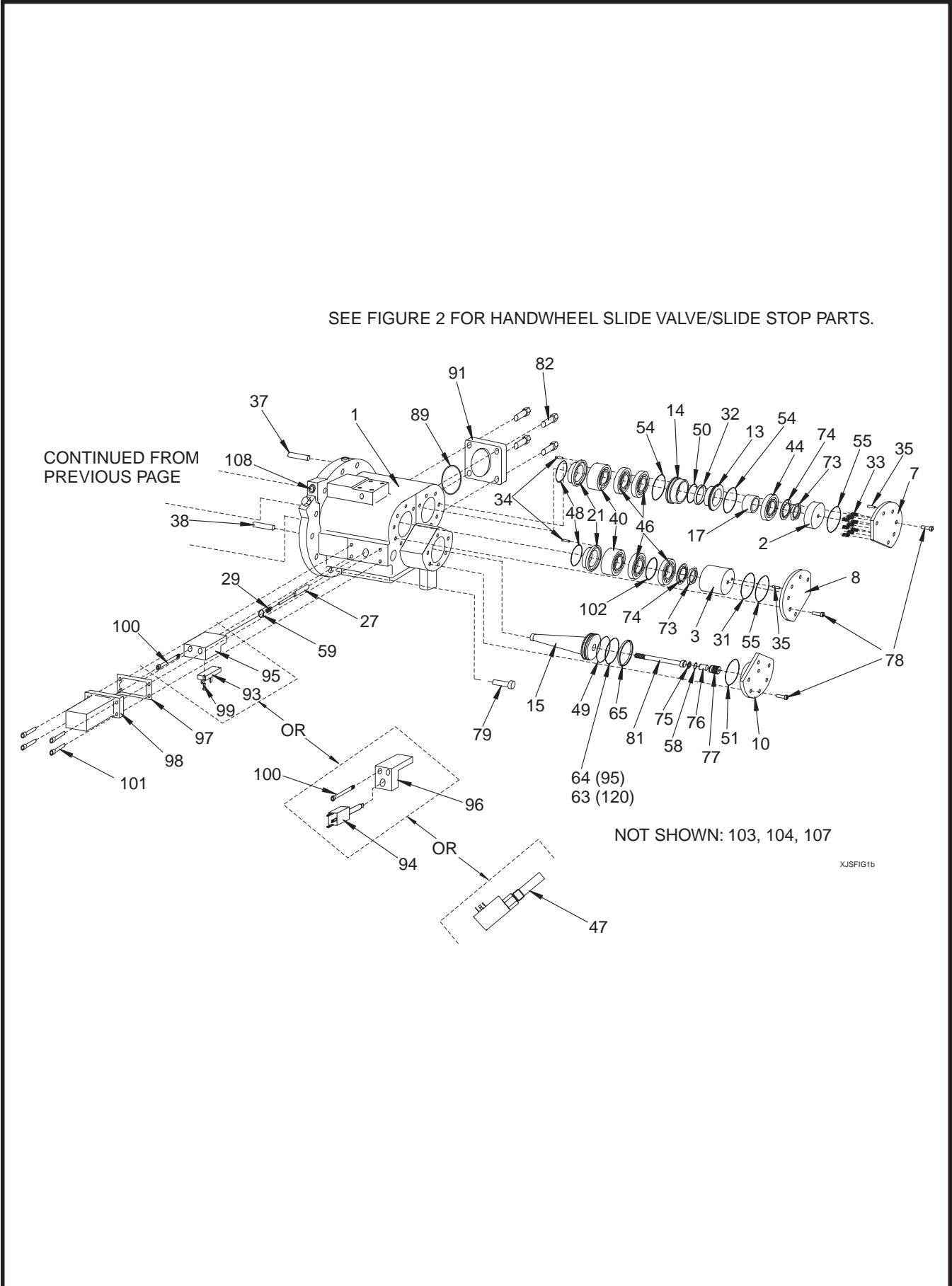


Figure 1b. XJS 95 & 120 Screw Compressor, Typical.

**XJS/XJF ROTARY SCREW COMPRESSORS
SERVICE PARTS LIST**



FIG. & INDEX	ITEM NUMBER	DESCRIPTION	QTY.	REV.
1—	534E0256	XJS 95S/M/L Screw Compressor, New	Ref.	X
	534E0256S01	XJS 95S Screw Compressor, Remanufactured	Ref.	
	534E0256S02	XJS 95M Screw Compressor, Remanufactured	Ref.	
	534E0256S03	XJS 95L Screw Compressor, Remanufactured	Ref.	
	534E0257	XJS 120S/M/L Screw Compressor, New	Ref.	AA
	534E0257S01	XJS 120S Screw Compressor, Remanufactured (3" Suction Flange)	Ref.	
	534E0257S02	XJS 120M Screw Compressor, Remanufactured	Ref.	
	534E0257S03	XJS 120L Screw Compressor, Remanufactured	Ref.	
	534E0257S04	XJS 120S Screw Compressor, Remanufactured (4" Suction Flange)	Ref.	
	534E0558	XJS 120S/M/L Screw Compressor, Handwheel, New (See also Fig. 2)	Ref.	M
—1	534E0195C01	Casing, Discharge, XJS 95	1	
	534E0194C01	Casing, Discharge, XJS 120	1	
—2	534C0473C01	Sleeve, Male Distance, XJS 95	1	
	534C0471C01	Sleeve, Male Distance, XJS 120	1	
—3	534C0474C01	Sleeve, Female Distance, XJS 95	1	
	534C0472C01	Sleeve, Female Distance, XJS 120	1	
—4	534D0342C01	Valve, Slide, XJS 95	1	
	534D0322C01	Valve, Slide, XJS 120	1	
—5	534C0415C01	Stop, Slide, XJS 95	1	
	534D0324C01	Stop, Slide, XJS 120	1	
—6	534C0614C01	Housing, Seal, XJS 95 ▲	1	
	534C0613C01	Housing, Seal, XJS 120 ▲	1	
—7	534C0419C01	Cover, Outlet Bore, XJS 95	1	
	534C0378C01	Cover, Outlet Bore, XJS 120	1	
—8	534C0419C02	Cover, Outlet Bore, XJS 95	1	
	534C0378C02	Cover, Outlet Bore, XJS 120	1	
—9	534C0423C01	Cover, Slide Stop, XJS 95	1	
	534C0375C01	Cover, Slide Stop, XJS 120	1	
—10	534C0424C01	Cover, Cylinder, XJS 95	1	
	534C0381C01	Cover, Cylinder, XJS 120	1	
—11	534D0344H01	Piston, Slide Stop, XJS 95	1	
	534D0326H01	Piston, Slide Stop, XJS 120	1	
—12	534D0343H01	Piston, Stepper, XJS 95	1	
	534D0325C01	Piston, Stepper, XJS 120	1	
—13	534C0482H01	Piston, Balance, XJS 95	1	
	534C0480H01	Piston, Balance, XJS 120	1	
—14	534C0483H01	Sleeve, Balance Piston, XJS 95	1	
	534C0481H01	Sleeve, Balance Piston, XJS 120	1	
—15	534D0640H01	Piston, Slide Valve, XJS 95 ★	1	
	534D0641H01	Piston, Slide Valve, XJS 120 ★	1	
—16	534A0167H01	Spacer, Bearing, XJS 95 ▲	1	
	534A0145H01	Spacer, Bearing, XJS 120 ▲	1	
—17	534B0234H01	Spacer, Bearing, XJS 95	1	
	534B0233H01	Spacer, Bearing, XJS 120	1	
—18	534A0230H01	Spacer, Bearing, XJS 95 ▲	1	
	534A0231H01	Spacer, Bearing, XJS 120 ▲	1	
—19	534A0195G01	Rotor Pair, XJS 95	1	
	534A0658G02	Rotor Pair, XJS 120	1	
—20	534C0612H01	Jackshaft, XJS 95 ▲	1	
	534C0611H01	Jackshaft, XJS 120 ▲	1	
—21	534C0446C01	Seal, Gas, XJS 95 ◆	2	
	534C0445C01	Seal, Gas, XJS 120 ◆	2	
—22	534C0426H01	Bushing, Male/Female Inlet, XJS 95 ◆	2	
	534C0373H01	Bushing, Female Inlet, XJS 120 ◆	1	
	534C0377H01	Bushing, Male Inlet XJS 120 ◆	1	
—23	534B0208H01	Key, XJS 95	1	
	534B0199H01	Key, XJS 120	1	
—24	534B0995H01	Shaft Seal, XJS 95 ●	1	
	534B0994H01	Shaft Seal, XJS 120 ●	1	

FIG. & INDEX	ITEM NUMBER	DESCRIPTION	QTY.	REV.
—25	534B0182H02	Collar, Clamp, XJS 95 ●	1	
	534B0182H03	Collar, Clamp, XJS 120 ●	1	
—26	534A0157G01	Set, Gear, 66:31 Ratio, XJS 95 ▲	1	
	534A0157G02	Set, Gear, 60:37 Ratio, XJS 95 ▲	1	
	534A0157G03	Set, Gear, 55:42 Ratio, XJS 95 ▲	1	
	534A0147G01	Set, Gear, 66:31 Ratio, XJS 120 ▲	1	
	534A0147G02	Set, Gear, 60:37 Ratio, XJS 120 ▲	1	
	534A0147G03	Set, Gear, 55:42 Ratio, XJS 120 ▲	1	
—27	534B0185H01	Rod, Indicator, XJS 95 (Potentiometer or Switch)	1	
	534B0986H01	Rod, Indicator, XJS 95 (Linear Transmitter)	1	
	534B0235H01	Rod, Indicator, XJS 120 (Potentiometer or Switch)	1	
	534B0987H01	Rod, Indicator, XJS 120 (Linear Transmitter)	1	
—28	—	not used		
—29	534A0032H02	Spring, Indicator Rod	1	
—30	534A0835H01	Spring, Unloader	2	
—31	534C0479H11	Spring, Wave, XJS 95 ◆◆	1	
	534C0479H12	Spring, Wave, XJS 120 ◆◆◆	1	
—32	534C0479H04	Spring, Wave, XJS 95	2	
	534C0479H03	Spring, Wave, XJS 120	2	
—33	534A0219H01	Spring, Compression, XJS 95	7	
	534A0219H01	Spring, Compression, XJS 120	9	
—34	534A0038H06	Pin, Spring, .125 x .375"	4	
—35	534A0038H02	Pin, Spring, .187 x .625"	2	
—36	534A0037H12	Pin, Dowel	2	
—37	534B0149H02	Pin, Dowel	1	
—38	534B0193H01	Pin, Dowel, Special	1	
—39	534C0428G01	Assembly, Suction Strainer, XJS 95	1	
	534C0408G01	Assembly, Suction Strainer, XJS 120	1	
—40	534B0004H18	Bearing, Roller, XJS 95 ◆	2	
	534B0004H17	Bearing, Roller, XJS 120 ◆	2	
—41	534B0004H13	Bearing, Roller, XJS 95 ◆	2	
	534B0004H13	Bearing, Roller, Female Rotor, XJS 120 ◆	1	
	534B0004H15	Bearing, Roller, Male Rotor, XJS 120 ◆	1	
—42	534B0004H16	Bearing, Roller, XJS 95 ▲	1	
	534B0004H14	Bearing, Roller, XJS 120 ▲	1	
—43	534B0004H21	Bearing, Roller, XJS 95 ▲	1	
	534B0004H22	Bearing, Roller, XJS 120 ▲	1	
—44	534B0101H08	Bearing, Four-Point Contact Ball, XJS 95 ◆◆◆	1	
	534B0101H07	Bearing, Four-Point Contact Ball, XJS 120 ◆◆◆◆	1	
—45	534B0101H23	Bearing, Four-Point Contact Ball, XJS 95 ▲	1	
	534B0101H24	Bearing, Four-Point Contact Ball, XJS 120 ▲	1	
—46	534C0478H11	Bearing, Angular Contact Ball, XJS 95 ◆◆◆	4	
	534C0478H10	Bearing, Angular Contact Ball, XJS 120 ◆◆◆◆	4	
—47	534C1552H01	Transmitter, Linear, w/well ⁽⁶⁾	1	
	534C1552H02	Transmitter, Linear, less well	1	
—48	980A0012A85	O-ring, XJS 95 ■	2	
	980A0012A93	O-ring, XJS 120 ■	2	
—49	980A0012A86	O-ring, XJS 95 ■★	2	
	980A0012A94	O-ring, XJS 120 ■★	4	
—50	980A0012A88	O-ring, XJS 95 ■	1	
	980A0012A95	O-ring, XJS 120 ■	1	
—51	980A0012A89	O-ring, XJS 95 ■★	1	
	980A0012A97	O-ring, XJS 120 ■★	1	
—52	980A0012A90	O-ring, XJS 95 ■●	1	
	980A0012A94	O-ring, XJS 120 ■●	1	
—53	980A0012A94	O-ring, XJS 95 ■	1	
—54	980A0012A96	O-ring, XJS 95 ■	2	
	980A0012B03	O-ring, XJS 120 ■	2	
—55	980A0012A97	O-ring, XJS 95 ■	2	
	980A0012B03	O-ring, XJS 120 ■	2	

FIG. & INDEX	ITEM NUMBER	DESCRIPTION	QTY.	REV.
—56	980A0012A98	O-ring, XJS 95 ■	1	
	980A0012B02	O-ring, XJS 120 ■	1	
—57	980A0012B04	O-ring, XJS 95 ■●	1	
	980A0012B72	O-ring, XJS 120 ■●	1	
—58	980A0012B35	O-ring ■★	1	
—59	980A0012K62	O-ring ■	1	
—60	980A0012B99	O-ring, XJS 95 ■	1	
	980A0012H05	O-ring, XJS 120 ■	1	
—61	980A0012H06	O-ring, XJS 95 ■▲	1	
	980A0012H10	O-ring, XJS 120 ■▲	1	
—62	980A0012A98	O-ring, XJS 120 ■	1	
—63	534C0187H08	Glyd Ring®, XJS 95 ■★	1	
	534C0187H08	Glyd Ring®, XJS 120 ■★	4	
—64	534C0187H10	Glyd Ring®, XJS 95 ■★	2	
	534C0187H09	Glyd Ring®, XJS 120 ■	1	
—65	534B0079H03	Slydring®, XJS 95 ■★	1	
	534B0079H04	Slydring®, XJS 120 ■★	1	
—66	534B0174H10	Ring, Retaining, XJS 95	1	
—67	534B0174H02	Ring, Retaining, Male Rotor, XJS 95	1	
	534B0174H03	Ring, Retaining, Male Rotor, XJS 120	1	
—68	534B0174H02	Ring, Retaining, Female Rotor, XJS 95	1	
	534B0174H02	Ring, Retaining, Female Rotor, XJS 120	1	
—69	534B0174H06	Ring, Retaining, XJS 95 ▲	1	
	534B0174H04	Ring, Retaining, XJS 120 ▲	1	
—70	534B0014H17	Ring, Retaining, XJS 95 ▲	1	
	534B0014H18	Ring, Retaining, XJS 120 ▲	1	
—71	534B0302H01	Ring, Seal Seat Back-up, XJS 95 ●	1	
	534B0301H01	Ring, Seal Seat Back-up, XJS 120 ●	1	
—72	534D0856G01	Assembly, Rotor Casing, XJS 95	1	
	534E0143C01	Casing, Rotor, XJS 120*	1	
	534E0155C01	Cover, Gear, XJS 120*	1	
—73	534A0035H12	Locknut, XJS 95 ◆	2	
	534B0909H01	Locknut w/nylon insert, XJS 120 ◆	2	
—74	534B0125H12	Lockwasher, XJS 95 ◆	2	
	534B0125H11	Lockwasher, XJS 120** ◆	2	
—75	534A0341H01	Washer, Check Valve Retainer ★	1	
—76	534A0173H01	Valve, Internal Check ★	1	
—77	534C0431H01	Retainer, Check Valve ★	1	
—78	901A0085H19	Capscrew, Socket Head, (M8x1.25) x 30mm, XJS 95	25	
	901A0085H19	Capscrew, Socket Head, (M8x1.25) x 30mm, XJS 120	26	
—79	111Q0740723	Capscrew, Socket Head, (M12x1.75) x 55mm, XJS 95	4	
	111Q0740838	Capscrew, Socket Head, (M12x1.75) x 65, XJS 120	5	
—80	111Q0740739	Capscrew, Socket Head, (M12x1.75) x 45mm, XJS 95	31	
	111Q0740739	Capscrew, Socket Head, (M12x1.75) x 45mm, XJS 120	32	
—81	534A0343H01	Capscrew, Socket Head, (M10x1.5) x 120mm ★	1	
—82	111Q0740772	Capscrew, Socket Head, (M20x2.5) x 75mm	4	
—83	901A0222H11	Capscrew, Socket Head, (M20x2.5) x 90mm, XJS 95 Suction	4	
	111Q0740748	Capscrew, Socket Head, (M20x2.5) x 65mm, XJS 95 Blank	4	
	901A0192H07	Capscrew, Socket Head, (M22x2.5) x 80mm, XJS 120 Suction	4	
	111Q0740781	Capscrew, Socket Head, (M22x2.5) x 60mm, XJS 120 Blank	4	
—84	111Q0993344	Valve, Solenoid	2	
—85	534A0171H01	Gasket, Solenoid Valve, XJS 95 ■	2	
	534A0154H01	Gasket, Solenoid Valve, XJS 120 ■	2	
—86	951A0054H01	Coil, Solenoid, 115VAC	2	
—87	535B0261H01	Assembly, Suction Flange, 2-1/2", XJS 95	1	
	535B0262H01	Assembly, Suction Flange, 3", XJS 95	1	
	535B0259H01	Assembly, Suction Flange, 3", XJS 120	1	
	535B0260H01	Assembly, Suction Flange, 4", XJS 120	1	
—88	534D0349C01	Flange, Blank, XJS 95	1	
	534D0341C01	Flange, Blank, XJS 120	1	

* Rotor Casing and Gear Cover is ordered as a set.

** Not needed with 534B0909H01 Locknut (1—73) used on current units.

FIG. & INDEX	ITEM NUMBER	DESCRIPTION	QTY.	REV.
—89	959A0057H06	Gasket, Flange, XJS 95 ■	1	
	959A0057H18	Gasket, Flange, XJS 120 ■	1	
—90	959A0066H12	Gasket, Flange, XJS 95 ■	2	
	959A0054H10	Gasket, Flange, XJS 120 ■	2	
—91	580D0071H24	Flange, Socket Weld, 2-1/2", XJS 95	1	
	944A0296H06	Flange, Socket Weld, 3", XJS 120	1	
—92	534B0930H01	Support, Spring	1	
—93	534B0293H01	Potentiometer ⁽⁴⁾ *	1	
—94	111Q0452188	Switch (Electromechanical Controls)	1	
—95	534C0625H01	Support, Potentiometer *	1	
—96	534B0210H01	Bracket, Switch Mounting	1	
—97	534B0110H01	Gasket ■	1	
—98	534C0432C01	Cover	1	
—99	111Q0740784	Machine Screw, #1-72UNF x 1/2" *	2	
—100	111Q0740839	Capscrew, Socket Head, M8 x 100mm (Potentiometer) *	2	
	111Q0740800	Capscrew, Socket Head, M8 x 50mm (Switch)	2	
—101	901A0085H04	Capscrew, Socket Head, M8 x 20mm	4	
	534C0096H05	Washer, 8mm	6	
—102	534C0486H08	Shim, Female Discharge Bearings, XJS 95 ◆◆	1	
	534C0486H04	Shim, Female Discharge Bearings, XJS 120 ◆◆	1	
—103	333Q0000703	Shim Pack, Discharge Bearings, XJS 95	A/R	
—104	333Q0000717	Shim Pack, Shaft Seal/Bearings Arrangement, XJS 95	A/R	
—105	534C0486H09	Shim, XJS 120	2	
—106	534C0486H10	Shim, XJS 120	1	
—107	534A0342H01	Strainer ●	1	
—108	944A0008H05	Plug, Pipe, 3/4-14 NPTF, XJS 120	1	
	534C0194H16	Plug, Orifice, 3/8-18 NPTF w/.062 orifice, XJS 120	1	
		Recommended Spare Parts/Service Replacement Parts Kits:		
	111Q0043229	● Shaft Seal Kit, XJS 95 (Contains Shaft Seal Tool)	1	
	111Q0043231	● Shaft Seal Kit, XJS 120 (Contains Shaft Seal Tool)	1	
	111Q0043226	■ O-ring and Gasket Kit, XJS 95	1	
	111Q0043223	■ O-ring and Gasket Kit, XJS 120	1	
	534M0041G01	★ Slide Valve Retrofit Kit, XJS 95	1	
	534M0040G01	★ Slide Valve Retrofit Kit, XJS 120	1	
	534C1465G01	▲ Jackshaft Kit, XJS 95S ⁽¹⁾ (See page 3 for s/n info)	1	
	534C1465G02	▲ Jackshaft Kit, XJS 95M ⁽¹⁾ (See page 3 for s/n info)	1	
	534C1465G03	▲ Jackshaft Kit, XJS 95L ⁽¹⁾ (See page 3 for s/n info)	1	
	534C1451G01	▲ Jackshaft Kit, XJS 120S ⁽¹⁾ (See page 3 for s/n info)	1	
	534C1451G02	▲ Jackshaft Kit, XJS 120M ⁽¹⁾ (See page 3 for s/n info)	1	
	534C1451G03	▲ Jackshaft Kit, XJS 120L ⁽¹⁾ (See page 3 for s/n info)	1	
	534M0008G01	Compressor Tool Kit, XJS 95 (Disassembly/Assembly)	1	
	534M0008G02	Compressor Tool Kit, XJS 120 (Disassembly/Assembly)	1	
	534M0488G01	◆ Bearing Kit, XJS 95 ⁽²⁾⁽³⁾	1	
	534M0489G01	◆ Bearing Kit, XJS 120 ⁽²⁾⁽³⁾	1	
	534M0250G01	◆ Thrust Bearing Kit, XJS 95 ⁽²⁾⁽³⁾	1	
	534M0251G01	◆ Thrust Bearing Kit, XJS 120 ⁽²⁾⁽³⁾	1	
	111Q0045464	* Potentiometer Kit ⁽⁴⁾	1	
	534B0931G01	Unloader Spring Retrofit Kit, XJS 120 ⁽⁵⁾	1	

(1) Contains Shaft Seal Kit and shims.

(2) Thrust Bearing Kit items are included in Bearing Kit.

(3) Contains shims needed to set end play and clearance.

(4) For early units with microprocessor controls. Units with electromechanical controls use switch, item 94.

(5) For units manufactured prior to 1/02 with one unloader spring and hollow spring support.

(6) For current units with Quantum™ Controls.

See Figure 1 for other service parts

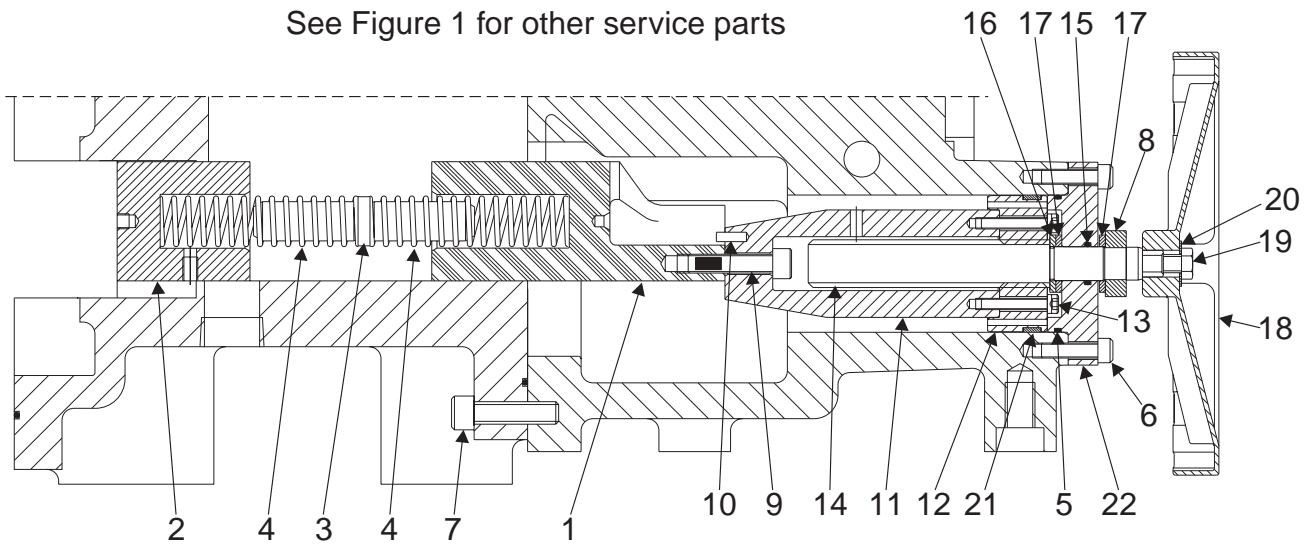


Figure 2. XJS 120 Slide Valve Stop Assembly, Handwheel.

FIG. & INDEX	ITEM NUMBER	DESCRIPTION	QTY.	REV.
2—	534E0558	XJS 120 S/M/L Screw Compressor, Handwheel, New	Ref.	M
—1	534D0322C01	Valve, Slide	1	
—2	534D0324C01	Stop, Slide	1	
—3	534B0930H01	Support, Spring	1	
—4	534A0835H01	Spring, Unloader	2	
—5	980A0012A97	O-ring* ■	1	
—6	901A0085H19	Capscrew, Socket Head, (M8x1.25) x 30mm	26	
—7	111Q0740739	Capscrew, Socket Head, (M12x1.75) x 45mm	32	
—8	534B0182H04	Collar, Clamp*	1	
—9	534A0725H01	Capscrew, Socket Head, w/nylon insert, (M10x1.5) x 45mm*	1	
—10	534A0037H03	Pin, Dowel*	1	
—11	534B0672H01	Spindle*	1	
—12	534B0673H01	Piston*	1	
—13	333Q0000584	Capscrew, Socket Head, (M6x1.0) x 35mm*	4	
—14	534B0671H01	Screw, Acme*	1	
—15	980A0012A65	O-Ring* ■	1	
—16	534A0726H01	Washer, Steel*	1	
—17	534A0727H01	Washer, Brass*	2	
—18	581B0001H03	Wheel, Hand*	1	
—19	111Q0110110	Capscrew, Hex Head, 3/8-10 x 3/4" *	1	
—20	581A0011H07	Washer, Spring*	1	
—21	534B0079H04	Slydring® * ■	1	
—22	534B0674H01	Cover, Cylinder*	1	
	*534E0661G01	Kit, Retrofit, XJS 120 Handwheel ⁽¹⁾	1	

(1) To update XJS120 Manual Adjustment Compressors manufactured prior to 6/98. For visual identification: Retrofit Kit is needed if your compressor does not have a handwheel as pictured.

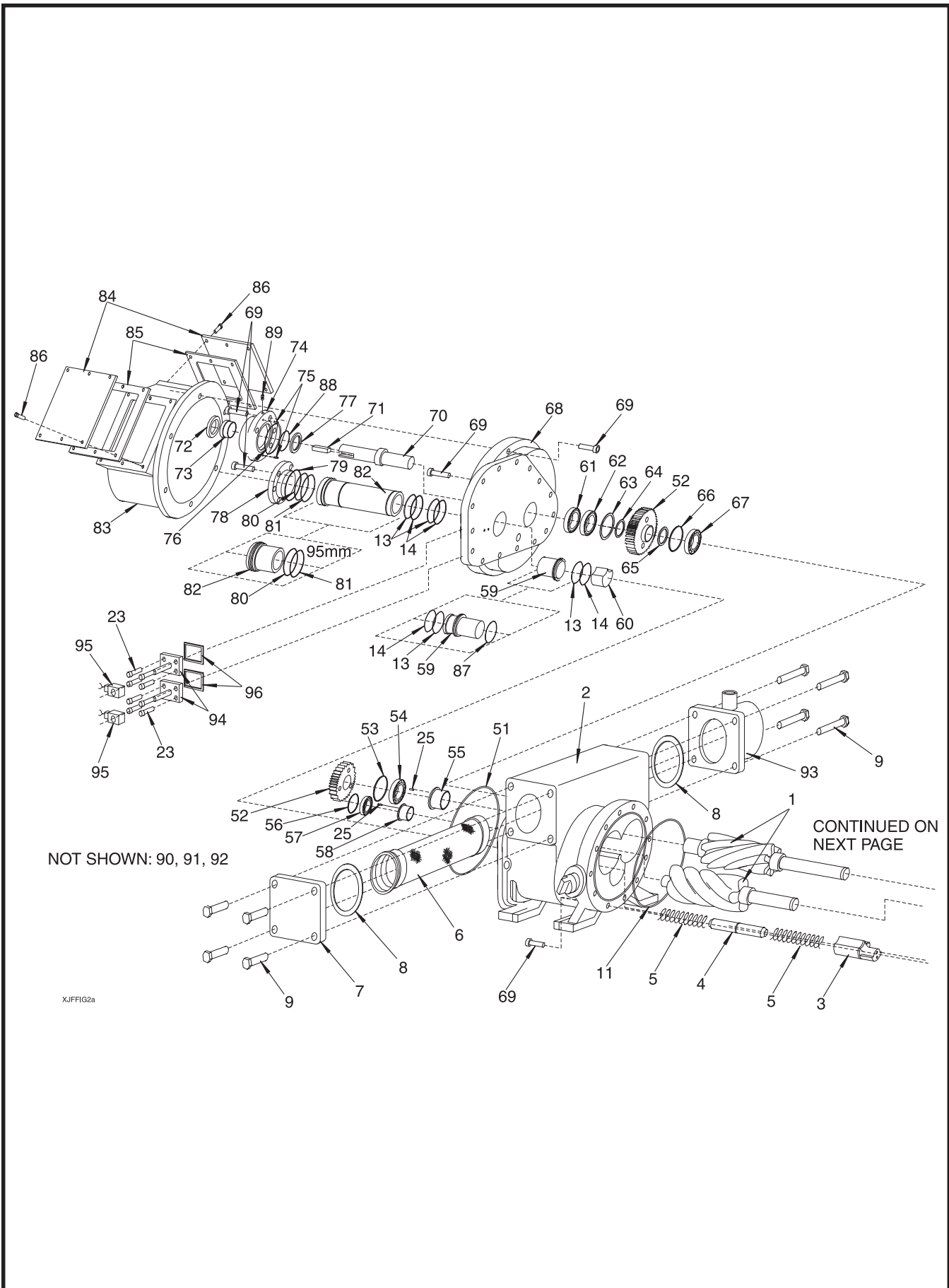


Figure 3a. XJF 95 & 120 Screw Compressor, Typical.

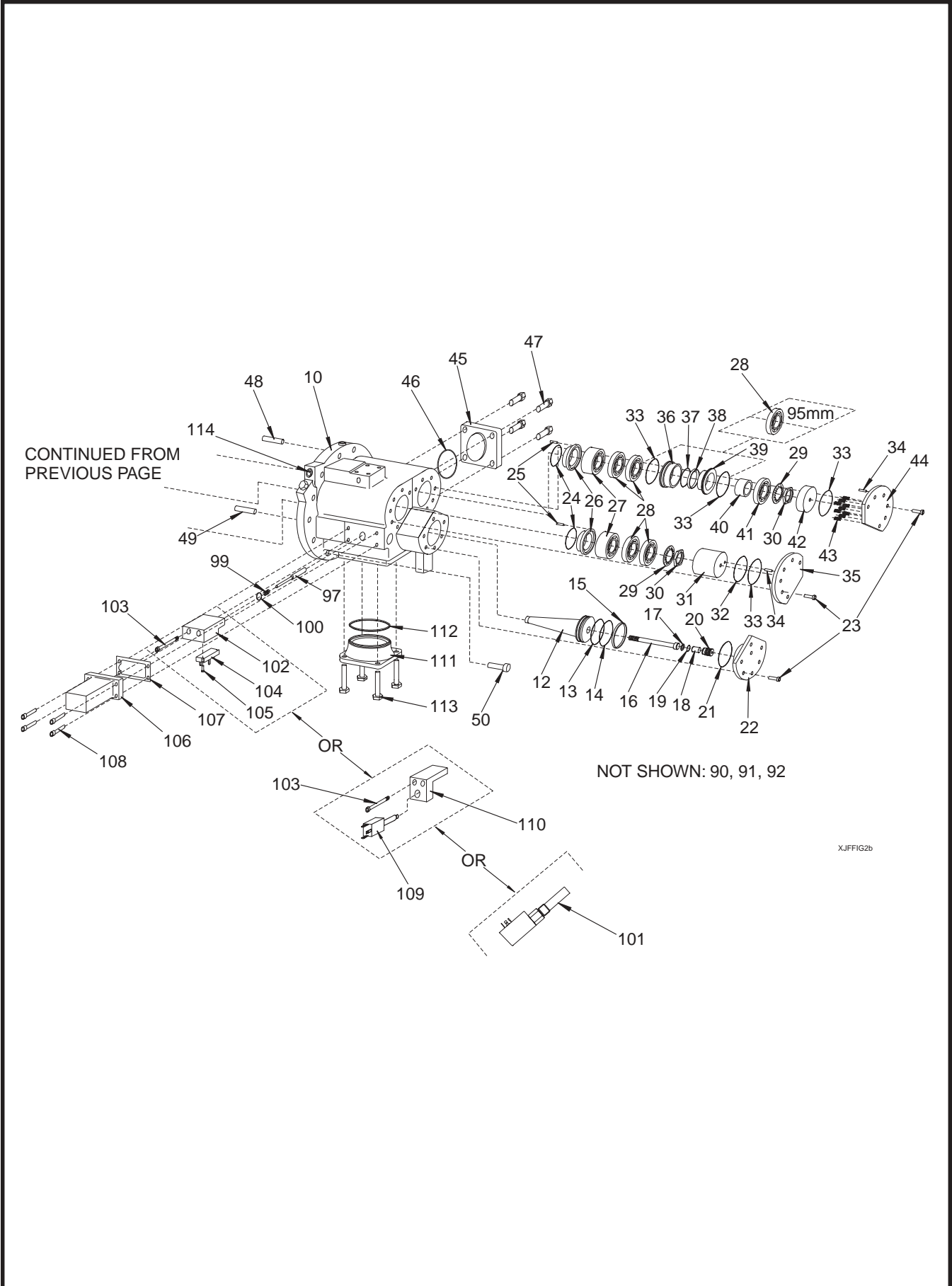


Figure 3b. XJF 95 & 120 Screw Compressor, Typical.

FIG. & INDEX	ITEM NUMBER	DESCRIPTION	QTY.	REV.
3—	534E0452	XJF 95S/M/L Screw Compressor, New	Ref.	L
	534E0305	XJF 120S/M/L Screw Compressor, New	Ref.	W
	534E0305S01	XJF 120S Screw Compressor, Remanufactured	Ref.	
	534E0305S02	XJF 120M Screw Compressor, Remanufactured	Ref.	
	534E0305S03	XJF 120L Screw Compressor, Remanufactured	Ref.	
—1	534A0195G01	Rotor Pair, XJF 95	1	
	534A0658G01	Rotor Pair, XJF 120	1	
—2	534D0860G01	Casing, Rotor*, XJF 95	1	
	534C0194H07	Plug, Pipe, 1/4-18 NPTF w/.136 orifice	1	
	534E0143C01	Casing, Rotor*, XJF 120	1	
—3	534D0342C01	Valve, Slide, XJF 95	1	
	534D0322C01	Valve, Slide, XJF 120	1	
—4	534B0930H01	Support, Spring	1	
—5	534A0835H01	Spring, Unloader	2	
—6	534C0428G01	Assembly, Suction Strainer, XJF 95	1	
	534C0408G01	Assembly, Suction Strainer, XJF 120	1	
—7	534D0349C01	Flange, Blank, XJF 95	1	
	534D0341C01	Flange, Blank, XJF 120	1	
—8	959A0066H12	Gasket, Flange, XJF 95 ■	2	
	959A0054H10	Gasket, Flange, XJF 120 ■	2	
—9	111Q0740840	Capscrew, Socket Head, (M20x2.5) x 90mm, XJF 95 Suction	4	
	111Q0740748	Capscrew, Socket Head, (M20x2.5) x 65mm, XJF 95 Blank	4	
	901A0192H07	Capscrew, Socket Head, (M22x2.5) x 80mm, XJF 120 Suction	4	
	111Q0740781	Capscrew, Socket Head, (M22x2.5) x 60mm, XJF 120 Blank	4	
—10	534E0446C01	Casing, Discharge, XJF 95	1	
	534E0307C01	Casing, Discharge, XJF 120	1	
—11	980A0012B99	O-ring, XJF 95 ■	1	
	980A0012H05	O-ring, XJF 120 ■	1	
—12	534D0640H01	Piston, Slide Valve, XJF 95 ★	1	
	534D0641H01	Piston, Slide Valve, XJF 120 ★	1	
—13	980A0012A86	O-ring, XJF 95 ■ ★	2	
	980A0012A94	O-ring, XJF 120 ■ ★	4	
—14	534C0187H10	Glyd Ring®, XJF 95 ■ ★	2	
	534C0187H08	Glyd Ring®, XJF 120 ■ ★	4	
—15	534B0079H03	Slydring®, XJF 95 ■ ★	1	
	534B0079H04	Slydring®, XJF 120 ■ ★	1	
—16	534A0343H01	Capscrew, Socket Head, (M10x1.5) x 120mm	1	
—17	534A0341H01	Washer, Check Valve Retainer	1	
—18	534A0173H01	Valve, Internal Check	1	
—19	980A0012B35	O-ring ■ ★	1	
—20	534C0431H01	Retainer, Check Valve	1	
—21	980A0012A89	O-ring, XJF 95 ■ ★	1	
	980A0012A97	O-ring, XJF 120 ■ ★	1	
—22	534C0424C01	Cover, Cylinder, XJF 95	1	
	534C0381C01	Cover, Cylinder, XJF 120	1	
—23	901A0085H19	Capscrew, Socket Head, (M8x1.25) x 30mm, XJF 95	25	
	901A0085H19	Capscrew, Socket Head, (M8x1.25) x 30mm, XJF 120	26	
—24	980A0012A85	O-ring, XJF 95 ■	2	
	980A0012A93	O-ring, XJF 120 ■	2	
—25	534A0038H06	Pin, Spring, .125 x .375"	4	
—26	534C0446C01	Seal, Gas, XJF 95 ◆	2	
	534C0445C01	Seal, Gas, XJF 120 ◆	2	
—27	534B0004H18	Bearing, Roller, XJF 95 ◆	2	
	534B0004H17	Bearing, Roller, XJF 120 ◆	2	
—28	534C0478H11	Bearing, Angular Contact Ball, XJF 95 ◆◆	5	
	534C0478H10	Bearing, Angular Contact Ball, XJF 120 ◆◆	4	
—29	534B0125H12	Lockwasher, XJF 95 ◆	2	
	534B0125H11	Lockwasher, XJF 120** ◆	2	
—30	534A0035H12	Locknut, XJF 95 ◆	2	
	534B0909H01	Locknut w/nylon insert, XJF 120 ◆	2	

* Rotor Casing and Gear Cover is ordered as a set.

** Not needed with 534B0909H01 Locknut (3—30) used on current units.

FIG. & INDEX	ITEM NUMBER	DESCRIPTION	QTY.	REV.
—31	534C0474C01	Sleeve, Female Distance, XJF 95	1	
	534C0472C01	Sleeve, Female Distance, XJF 120	1	
—32	534C0479H11	Spring, Wave, XJF 95 ◆◆	1	
	534C0479H12	Spring, Wave, XJF 120 ◆◆	1	
—33	980A0012A97	O-ring, XJF 95 ■	2	
	980A0012B03	O-ring, XJF 120 ■	4	
—34	534A0038H02	Pin, Spring	2	
—35	534C0419C02	Cover, Female Outlet Bore, XJF 95	1	
	534C0378C02	Cover, Female Outlet Bore, XJF 120	1	
—36	534C0481C01	Sleeve, Balance Piston, XJF 120	1	
—37	980A0012A95	O-ring, XJF 120 ■	1	
—38	534C0479H03	Spring, Wave, XJF 120	2	
—39	534C0480H01	Piston, Balance, XJF 120	1	
—40	534B0483H01	Spacer, Bearing, XJF 95	1	
	534B0233H01	Spacer, Bearing, XJF 120	1	
—41	534C0478H11	Bearing, Angular Contact Ball, XJF 95 ◆	1	
	534B0101H07	Bearing, Four-Point Contact Ball, XJF 120 ◆	1	
—42	534C0473C01	Sleeve, Male Distance, XJF 95	1	
	534C0471C01	Sleeve, Male Distance, XJF 120	1	
—43	534A0219H01	Spring, Compression, XJF 95	7	
	534A0219H01	Spring, Compression, XJF 120	9	
—44	534C0419C01	Cover, Male Outlet Bore, XJF 95	1	
	534C0378C01	Cover, Male Outlet Bore, XJF 120	1	
—45	534C0703C01	Flange, Discharge Blank, XJF 120	1	
—46	980A0012B74	O-ring, XJF 120 ■	1	
—47	111Q0740792	Capscrew, Hex Head, (M20x2.5) x 60mm, XJF 120	4	
—48	534B0149H02	Pin, Dowel, XJF 120	1	
—49	534B0193H01	Pin, Dowel, XJF 120	1	
—50	901A0085H10	Capscrew, Socket Head, (M12x1.75) x 60, XJF 95	6	
	111Q0740838	Capscrew, Socket Head, (M12x1.75) x 65, XJF 120	5	
—51	980A0012H06	O-ring, XJF 95 ■▲	1	
	980A0012H10	O-ring, XJF 120 ■▲	1	
—52	534A0157G01	Set, Gear, 66:31 Ratio, XJF 95S ▲	1	
	534A0147G01	Set, Gear, 66:31 Ratio, XJF 120S ▲	1	
	534A0157G03	Set, Gear, 55:42 Ratio, XJF 95M ▲	1	
	534A0147G03	Set, Gear, 55:42 Ratio, XJF 120M ▲	1	
	534A0157G02	Set, Gear, 60:37 Ratio, XJF 95L ▲	1	
	534A0147G02	Set, Gear, 60:37 Ratio, XJF 120L ▲	1	
—53	534B0174H02	Ring, Retaining, XJF 95	1	
	534B0174H03	Ring, Retaining, XJF 120	1	
—54	534B0004H13	Bearing, Roller, XJF 95 ◆	1	
	534B0004H15	Bearing, Roller, XJF 120 ◆	1	
—55	534C0426H01	Bushing, Male Inlet, XJF 95 ◆	1	
	534C0377H01	Bushing, Male Inlet, XJF 120 ◆	1	
—56	534B0174H02	Ring, Retaining	1	
—57	534B0004H13	Bearing, Roller ◆	1	
—58	534C0426H01	Bushing, Female Inlet, XJF 95 ◆	1	
	534C0373H01	Bushing, Female Inlet, XJF 120 ◆	1	
—59	534D0344H01	Piston, Slide Stop, XJF 95	1	
	534D0326H01	Piston, Slide Stop, XJF 120	1	
—60	534C0415C01	Stop, Slide, XJF 95	1	
	534D0324C01	Stop, Slide, XJF 120	1	
—61	534B0101H23	Bearing, Four-Point Angular Contact, XJF 95 ▲	1	
	534B0101H24	Bearing, Four-Point Angular Contact, XJF 120 ▲	1	
—62	534B0004H21	Bearing, Roller, XJF 95 ▲	1	
	534B0004H22	Bearing, Roller, XJF 120 ▲	1	
—63	534B0014H17	Ring, Retaining, XJF 95 ▲	1	
	534B0014H18	Ring, Retaining, XJF 120 ▲	1	
—64	534A0230H01	Spacer, Bearing, XJF 95 ▲	1	
	534A0231H01	Spacer, Bearing, XJF 120 ▲	1	

FIG. & INDEX	ITEM NUMBER	DESCRIPTION	QTY.	REV.
—65	534A0167H01	Spacer, Bearing, XJF 95 ▲	1	
	534A0145H01	Spacer, Bearing, XJF 120 ▲	1	
—66	534B0174H06	Ring, Retaining, XJF 95 ▲	1	
	534B0174H04	Ring, Retaining, XJF 120 ▲	1	
—67	534B0004H16	Bearing, Roller, XJF 95 ▲	1	
	534B0004H14	Bearing, Roller, XJF 120 ▲	1	
—68	534D0860G01	Cover, Gear*, XJF 95	1	
	534E0272C01	Cover, Gear*, XJF 120	1	
—69	901A0085H09	Capscrew, Socket Head, (M12x1.75) x 45mm, XJF 95	16	
	111Q0740739	Capscrew, Socket Head, (M12x1.75) x 45mm, XJF 120	31	
—70	534C0612H01	Jackshaft, XJF 95 ▲	1	
	534C0611H01	Jackshaft, XJF 120 ▲	1	
—71	534B0208H01	Key, Jackshaft, XJF 95	1	
	534B0199H01	Key, Jackshaft, XJF 120	1	
—72	534B0182H02	Collar, Clamp, XJF 95 ●	1	
	534B0182H03	Collar, Clamp, XJF 120 ●	1	
—73	534B0302H01	Ring, Seal Seat Backup, XJF 95 ●	1	
	534B0301H01	Ring, Seal Seat Backup, XJF 120 ●	1	
—74	534C0614C01	Housing, Seal, XJF 95	1	
	534C0613C01	Housing, Seal, XJF 120	1	
—75	534A0037H12	Pin, Dowel	2	
—76	980A0012B04	O-ring, XJF 95 ●■	1	
	980A0012B72	O-ring, XJF 120 ●■	1	
—77	534B0995H01	Shaft Seal, XJF 95 ●	1	
	534B0994H01	Shaft Seal, XJF 120 ●	1	
—78	534C0423C01	Cover, Slide Stop, XJF 95	1	
	534C0661C01	Cover, Slide Stop, XJF 120	1	
—79	980A0012A98	O-ring, XJF 95 ■	1	
	980A0012B02	O-ring, XJF 120 ■	1	
—80	980A0012A94	O-ring, XJF 95 ■	1	
	980A0012A98	O-ring, XJF 120 ■	1	
—81	534C0187H08	Glyd Ring®, XJF 95 ■	1	
	534C0187H09	Glyd Ring®, XJF 120 ■	1	
—82	534C1044H01	Piston, Stepper, XJF 95	1	
	534D0325C01	Piston, Stepper, XJF 120	1	
—83	534E0437C01	Support, Motor, XJF 95	1	
	534E0273C01	Support, Motor, XJF 120	1	
—84	534C1011H01	Plate, Cover, XJF 95	2	
	534C0660H01	Plate, Cover, XJF 120	2	
—85	534C0709H01	Gasket, Cover Plate, XJF 120	2	
—86	901A0085H04	Capscrew, Socket Head, (M8x x 20mm, XJF 95	12	
	333Q0000738	Washer, Flat, XJF 95	12	
	534A0506H01	Grommet, XJF 95	12	
	111Q0740740	Capscrew, Socket Head, M12 x 30mm, XJF 120	12	
—87	534B0174H10	Ring, Retaining	1	
—88	980A0012A90	O-ring, XJF 95 ●■	1	
	980A0012A94	O-ring, XJF 120 ●■	1	
—89	534A0342H01	Strainer ●	1	
—90	534C0486H08	Shim, Female Bearing Installation, XJF 95 ●	1	
—91	333Q0000703	Shim Pack, XJF 95 (As Required)	2	
—92	333Q0000717	Shim Pack, XJF 95 (As Required)	1	
—93	535B0261H01	Assembly, Suction Flange, 2-1/2", XJF 95	1	
	535B0262H01	Assembly, Suction Flange, 3", XJF 95	1	
	535B0259H01	Assembly, Suction Flange, 3", XJF 120	1	
	535B0260H01	Assembly, Suction Flange, 4", XJF 120	1	
—94	111Q0993344	Valve, Solenoid	2	
—95	951A0054H01	Coil, Solenoid, 120VAC	2	
	951A0054H03	Coil, Solenoid, 240VAC (Optional)	2	
—96	534A0171H01	Gasket, Solenoid Valve, XJF 95 ■	2	
	534A0154H01	Gasket, Solenoid Valve, XJF 120 ■	2	

* Rotor Casing and Gear Cover is ordered as a set.

FIG. & INDEX	ITEM NUMBER	DESCRIPTION	QTY.	REV.
—97	534B0185H01	Rod, Indicator, XJS 95 (Potentiometer or Switch)	1	
	534B0986H01	Rod, Indicator, XJS 95 (Linear Transmitter)	1	
	534B0235H01	Rod, Indicator, XJS 120 (Potentiometer or Switch)	1	
	534B0987H01	Rod, Indicator, XJS 120 (Linear Transmitter)	1	
—98	—	not used		
—99	534A0032H02	Spring, Indicator Rod	1	
—100	980A0012K62	O-ring ■	1	
—101	534C1552H01	Transmitter, Linear, w/well ⁽⁶⁾	1	
	534C1552H02	Transmitter, Linear, less well	1	
—102	534C0625H01	Support, Potentiometer *	1	
—103	111Q0740839	Capscrew, Socket Head, M8 x 100mm (Potentiometer) *	2	
	111Q0740800	Capscrew, Socket Head, M8 x 50mm (Switch)	2	
	534C0096H05	Lockwasher, 8mm	2	
—104	534B0293H01	Potentiometer ⁽⁴⁾ *	1	
—105	111Q0740784	Machine Screw, #1-72UNF x 1/2" *	2	
—106	534C0432C01	Cover	1	
—107	534B0110H01	Gasket, Cover ■	1	
—108	901A0085H04	Capscrew, Socket Head, M8 x 20mm	4	
	534C0096H05	Lockwasher, 8mm	4	
—109	111Q0452188	Switch (Electromechanical Controls)	1	
—110	534B0210H01	Bracket, Switch Mounting	1	
—111	580D0071H24	Flange, Socket Weld, 2-1/2", XJF 95	1	
	944A0358H05	Flange, Socket Weld, 3", XJF 120	1	
—112	959A0057H06	Gasket, Flange, XJF 95 ■	1	
	959A0057H18	Gasket, Flange, XJF 120 ■	1	
—113	111Q0740772	Capscrew, Socket Head, M20 x 75mm	4	
—114	534C0194H08	Plug, Pipe, 1/4-18 NPTF w/.062" orifice, XJF 95	1	
	944A0008H05	Plug, Pipe, 3/4-14 NPTF, XJF 120	1	
	534C0194H16	Plug, Pipe, 3/8-18 NPTF w/.062" orifice, XJF 120	1	
	111Q0043229	Recommended Spare Parts/Service Replacement Parts Kits: ● Shaft Seal Kit, XJF 95 (Contains Shaft Seal Tool)	1	
	111Q0043231	● Shaft Seal Kit, XJF 120 (Contains Shaft Seal Tool)	1	
	111Q0043226	■ O-ring and Gasket Kit, XJF 95	1	
	111Q0043223	■ O-ring and Gasket Kit, XJF 120	1	
	534M0041G01	★ Slide Valve Retrofit Kit, XJF 95	1	
	534M0040G01	★ Slide Valve Retrofit Kit, XJF 120	1	
	534C1465G01	▲ Jackshaft Kit, XJF 95S ⁽¹⁾	1	
	534C1465G02	▲ Jackshaft Kit, XJF 95M ⁽¹⁾	1	
	534C1465G03	▲ Jackshaft Kit, XJF 95L ⁽¹⁾	1	
	534C1451G01	▲ Jackshaft Kit, XJF 120S ⁽¹⁾	1	
	534C1451G02	▲ Jackshaft Kit, XJF 120M ⁽¹⁾	1	
	534C1451G03	▲ Jackshaft Kit, XJF 120L ⁽¹⁾	1	
	534M0008G01	Compressor Tool Kit, XJF 95 (Disassembly/Assembly)	1	
	534M0008G02	Compressor Tool Kit, XJF 120 (Disassembly/Assembly)	1	
	534M0488G02	◆ Bearing Kit, XJF 95 ⁽²⁾⁽³⁾	1	
	534M0489G01	◆ Bearing Kit, XJF 120 ⁽²⁾⁽³⁾	1	
	534M0250G01	● Thrust Bearing Kit, XJF 95 ⁽²⁾⁽³⁾	1	
	534M0251G01	● Thrust Bearing Kit, XJF 120 ⁽²⁾⁽³⁾	1	
	111Q0045464	* Potentiometer Kit ⁽⁴⁾	1	
	534B0931G01	Unloader Spring Retrofit Kit, XJF 120 ⁽⁵⁾	1	

(1) Contains Shaft Seal Kit and necessary shims.

(2) Thrust Bearing Kit items are included in Bearing Kit.

(3) Contains shims needed to set end play and clearance.

(4) For early units with microprocessor controls. Units with electromechanical controls use switch, item 109.

(5) For units manufactured prior to 1/02 with one unloader spring and hollow spring support.

(6) For current units with Quantum™ Controls.

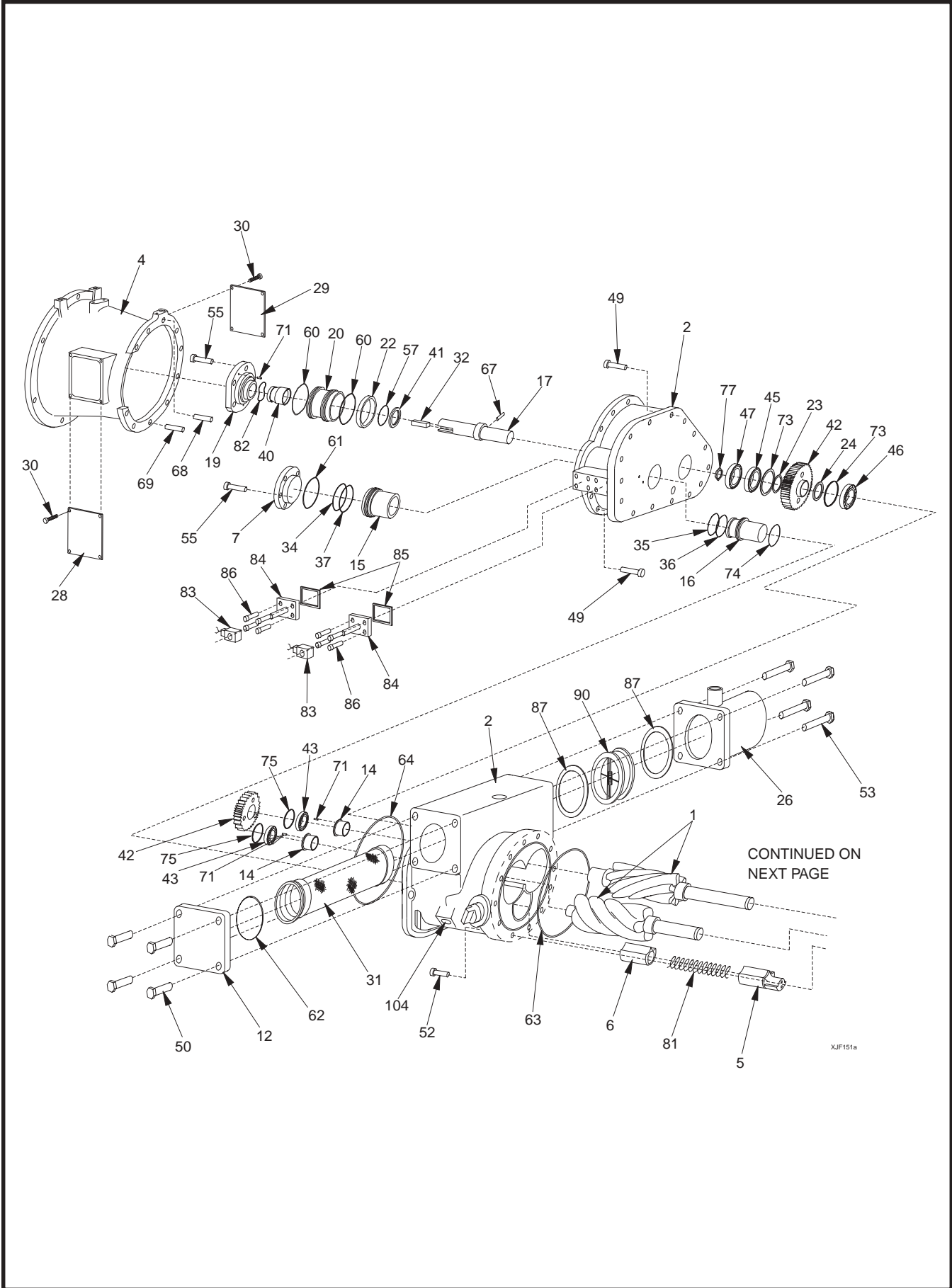


Figure 4a. XJF 151 Screw Compressor.

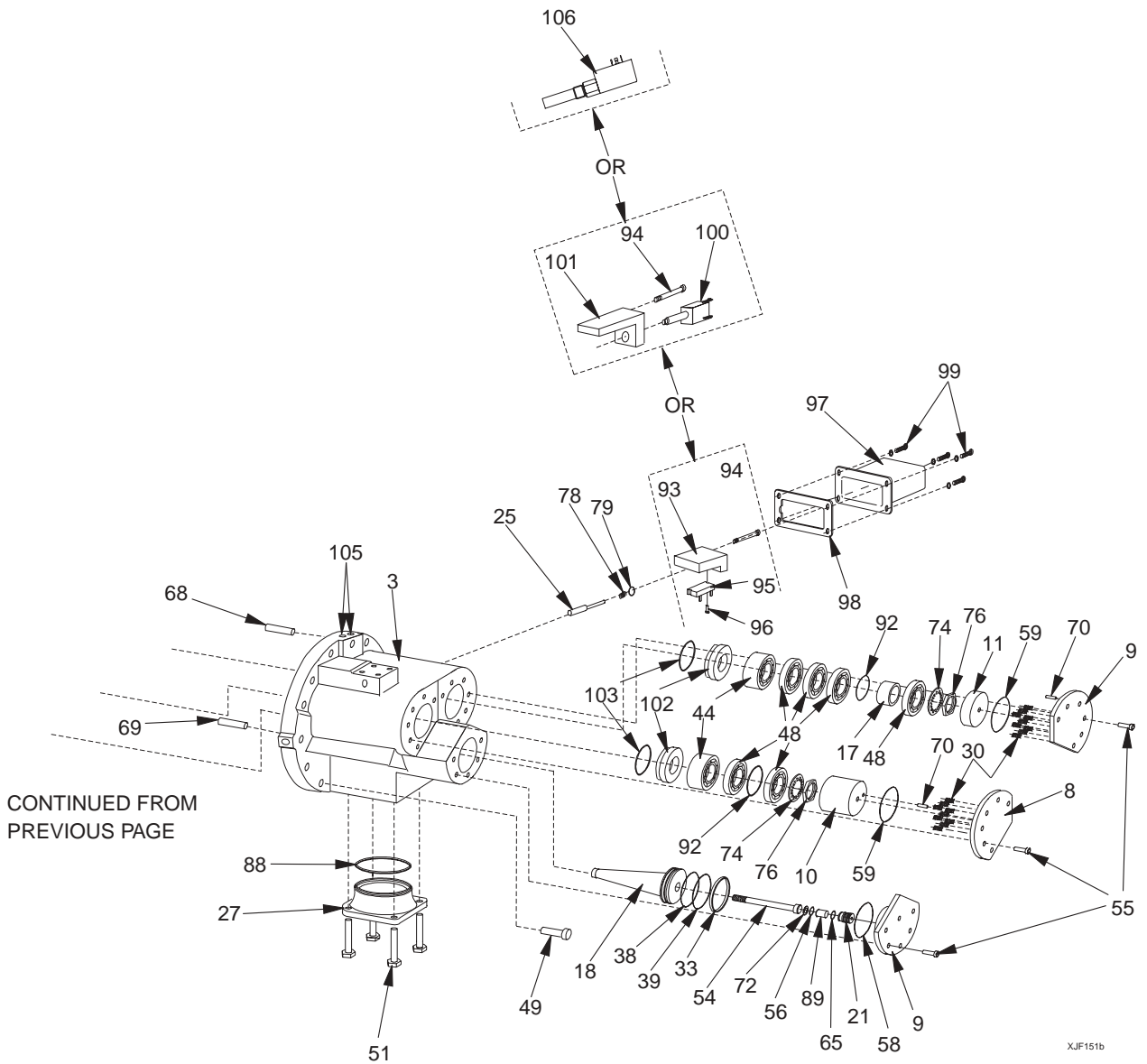


Figure 4b. XJF 151 Screw Compressor.

FIG. & INDEX	ITEM NUMBER	DESCRIPTION	QTY.	REV.
4—	534E0533	XJF 151 A,M,L,N Screw Compressor, New	Ref.	V
	534E0533S01	XJF 151 A Screw Compressor, Remanufactured	Ref.	
	534E0533S02	XJF 151 M Screw Compressor, Remanufactured	Ref.	
	534E0533S03	XJF 151 L Screw Compressor, Remanufactured	Ref.	
	534E0533S04	XJF 151 N Screw Compressor, Remanufactured	Ref.	
—1	534A0542G02	Rotor Pair	1	
—2	534D0925G01	Assembly, Rotor Casing	1	
—3	534D0914C01	Casing, Discharge	1	
—4	534E0521C01	Support, Motor	1	
—5	534D0916C01	Valve, Slide	1	
—6	534D0917H01	Stop, Slide	1	
—7	534C1057C01	Cover, Slide Stop	1	
—8	534C1058C01	Cover, Cylinder	1	
—9	534C1059C01	Cover, Outlet Bore	2	
—10	534C1060C01	Sleeve, Female Distance	1	
—11	534C1061C01	Sleeve, Male Distance	1	
—12	535C1062C01	Flange, Suction	1	
—13	—	not used		
—14	534C1072H01	Bushing, Inlet ◆	2	
—15	534D0918H01	Piston, Stepper	1	
—16	534D0919H01	Piston, Slide Stop	1	
—17	534D0920H01	Jackshaft ▲	1	
—18	534D0921H01	Piston, Slide Valve	1	
—19	534D0929C01	Cover, Seal Housing	1	
—20	534D0940H01	Housing, Seal	1	
—21	534A0555H01	Retainer, Check Valve	1	
—22	534A0559H01	Spacer, Seal Housing	1	
—23	534A0560H01	Spacer, Outboard Bearing ▲	1	
—24	534A0561H01	Spacer, Inboard Bearing ▲	1	
—25	534B0872H01	Rod, Indicator (Linear Transmitter)	1	
	534B0516H01	Rod, Indicator (Potentiometer)	1	
—26	535B0243H01	Suction Flange, 5"	1	
—27	944A0296H08	Flange, Socket Weld, 4"	1	
—28	534A0566H01	Plate, Cover	1	
—29	534A0567H01	Plate, Cover	1	
—30	901A0085H04	Capscrew, Socket Head, M8 x 20mm	8	
	534A0506H01	Grommet	8	
	333Q0000738	Washer, Flat, M8	8	
—31	534B0527H01	Strainer, Suction	1	
—32	534A0062H02	Key, Square, 1/2 x 1/2 x 3-1/2"	1	
—33	534B0079H08	Slydring® ■	1	
—34	534C0187H16	Glyd Ring® ■	1	
—35	980A0012H51	O-ring ■	1	
—36	534C0187H17	Glyd Ring® ■	1	
—37	980A0012H55	O-ring ■	1	
—38	534C0187H18	Glyd Ring® ■	1	
—39	980A0012H49	O-ring ■	1	
—40	534B0993H01	Assembly, Shaft Seal ●	1	
—41	333Q0000910	Seal, Lip ●	1	
—42	534A0564G01	Gear Set, 51:46, XJF 151A ▲	1	
	534A0564G02	Gear Set, 55:42, XJF 151M ▲	1	
	534A0564G03	Gear Set, 60:37, XJF 151L ▲	1	
	534A0564G04	Gear Set, 64:33, XJF 151N ▲	1	
—43	534B0004H28	Bearing, Cylindrical Roller ◆	2	
—44	534B0004H29	Bearing, Cylindrical Roller ◆	2	
—45	534B0004H30	Bearing, Cylindrical Roller ▲	1	
—46	534B0004H31	Bearing, Cylindrical Roller ▲	1	
—47	534B0101H27	Bearing, 4-Point Angular Contact ▲	1	
—48	534C0478H12	Bearing, Angular Contact Ball ◆	6	

FIG. & INDEX	ITEM NUMBER	DESCRIPTION	QTY.	REV.
—49	111Q0740737	Capscrew, Socket Head, (M16x2.0) x 50mm	21	
—50	111Q0740749	Capscrew, Hex Head, (M24x3.0) x 65mm	4	
—51	111Q0740781	Capscrew Hex Head, (M22x2.5) x 75mm	4	
—52	111Q0740807	Capscrew, Socket Head, (M16x2.0) x 70mm	6	
—53	333Q0001522	Capscrew, Hex Head, (M24x3.0) x 90mm	4	
—54	534A0572H01	Capscrew, Socket Head, (M12x1.75) x 170mm	1	
—55	901A0085H08	Capscrew, Socket Head, (M12x1.25) x 40mm	25	
—56	980A0012A62	O-ring ■	1	
—57	980A0012B63	O-ring ■ ●	1	
—58	980A0012B72	O-ring ■	1	
—59	980A0012B73	O-ring ■	2	
—60	980A0012B76	O-ring ■ ●	2	
—61	980A0012B78	O-ring ■	1	
—62	980A0012B91	O-ring ■	1	
—63	980A0012H10	O-ring ■	1	
—64	980A0012H12	O-ring ■ ▲	1	
—65	980A0012K66	O-ring ■	8	
—66	—	not used		
—67	534A0037H12	Pin, Dowel	1	
—68	534B0149H01	Pin, Dowel	2	
—69	534B0151H01	Pin, Dowel, Special	2	
—70	534A0038H02	Pin, Spring	2	
—71	534A0038H06	Pin, Spring	5	
—72	534A0570H01	Ring, Retaining	1	
—73	534B0014H09	Ring, Retaining ▲	2	
—74	534B0015H13	Ring, Retaining	1	
—75	534B0174H17	Ring, Retaining	2	
—76	534B0909H02	Locknut ◆	2	
—77	534B0909H04	Locknut ▲	1	
—78	534A0032H02	Spring, Compression	1	
—79	980A0012K62	O-ring ■	2	
—80	534A0219H01	Spring, Compression	16	
—81	534A0569H01	Spring, Unloader	1	
—82	534A0591H01	Spring, Wave ▲	1	
—83	951A0095H01	Coil, Solenoid Valve	2	
—84	111Q0993344	Valve, Solenoid	2	
	649A0890H02	DIN Connector w/NPTF Connection	2	
	649A0890H11	Gasket, Silicone	2	
—85	534A0565H01	Gasket, Solenoid Valve ■	2	
—86	901A0085H19	Capscrew, Socket Head, M8 x 30	8	
—87	959A0044H11	Gasket ■	2	
—88	959A0057H09	Gasket ■	1	
—89	534A0173H01	Valve, Check	1	
—90	956A0015H03	Valve, Check	1	
—91	—	not used		
—92	534A0568H05	Shim ◆	2	
—93	534C0625H01	Support, Potentiometer	1	
—94	111Q0740839	Capscrew, Socket Head, M8 x 100mm (Potentiometer) *	2	
	111Q0740800	Capscrew, Socket Head, M8 x 50mm (Switch)	2	
	534C0096H05	Lockwasher, 8mm	2	
—95	534B0293H01	Potentiometer ⁽³⁾ *	1	
—96	111Q0740784	Machine Screw, #1-72UNF x 1/2" *	2	
—97	534C0432C01	Cover	1	
—98	534B0110H01	Gasket, Cover	1	
—99	901A0085H04	Capscrew, Socket Head, M8 x 20mm	4	
	534C0096H05	Lockwasher, 8mm	4	
—100	111Q0452188	Switch (Electromechanical Controls)	1	
—101	534B0210H01	Bracket, Switch Mounting	1	
—102	534C1160H01	Seal, Gas ◆	2	
—103	980A0012B02	O-ring ■	2	

XJS/XJF ROTARY SCREW COMPRESSORS
SERVICE PARTS LIST



FIG. & INDEX	ITEM NUMBER	DESCRIPTION	QTY.	REV.
4—	534E0533	XJF 151 A,M,L,N Screw Compressor, Continued	Ref.	V
—104	534C0194H27	Plug, Pipe, 1/2-14 NPTF w/.375" Orifice	1	
—105	944A0228H05	Plug, Straight Thread O-ring, 9/16-18 UNF	2	
	980A0012K60	O-ring ■	2	
	534C0194H61	Plug, 1/8-27 NPTF w/.062 Orifice	2	
—106	534C1552H01	Transmitter, Linear, w/well ⁽⁴⁾	1	
	534C1552H02	Transmitter, Linear, less well	1	
		Recommended Spare Parts/Service Replacement Parts Kits:		
	534M0602G02	● Shaft Seal Kit	1	
	534M0602G01	■ O-ring and Gasket Kit	1	
	534M0602G04	▲ Jackshaft Kit, XJF151A ⁽¹⁾	1	
	534M0602G05	▲ Jackshaft Kit, XJF151M ⁽¹⁾	1	
	534M0602G06	▲ Jackshaft Kit, XJF151L ⁽¹⁾	1	
	534M0602G07	▲ Jackshaft Kit, XJF151N ⁽¹⁾	1	
	534M0483G01	Compressor Tool Kit (Disassembly/Assembly)	1	
	534M0602G03	◆ Bearing Kit ⁽²⁾	1	
	111Q0045464	* Potentiometer Kit ⁽³⁾	1	

(1) Contains Shaft Seal Kit.

(2) Contains shims needed to set end play and clearance.

(3) For early units with microprocessor controls. Units with electromechanical controls use switch, item 100.

(4) For current units with Quantum™ Controls.



**XJS/XJF ROTARY SCREW COMPRESSORS
SERVICE PARTS LIST**

**S70-450 SPL
Page 23**

This page left blank intentionally.

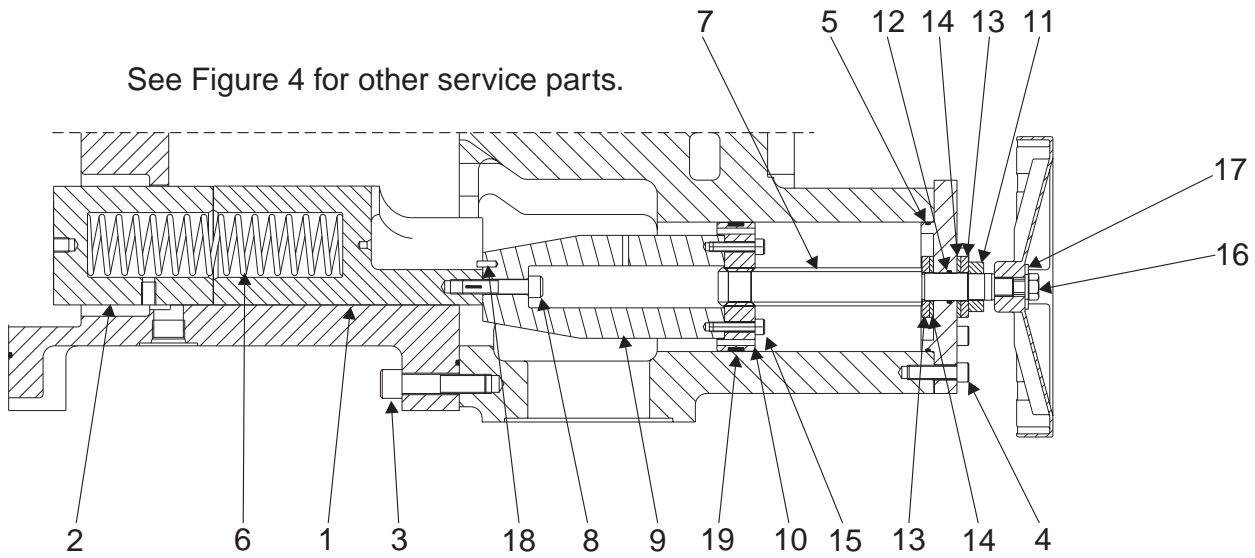


Figure 5. XJF 151 Slide Valve Stop Assembly, Handwheel.

FIG. & INDEX	ITEM NUMBER	DESCRIPTION	QTY.	REV.
5—	534E0559	XJF 151 A,M,L,N Screw Compressor, New	Ref.	K
—1	534D0916C01	Valve, Slide	1	
—2	534D0917H01	Stop, Slide	1	
—3	111Q0740807	Capscrew, Socket Head, (M16x2.0) x 70mm	9	
—4	901A0085H08	Capscrew, Socket Head, (M12x1.75) x 40mm	25	
—5	980A0012B06	O-ring ■	1	
—6	534A0569H01	Spring, Unloader	1	
—7	534B0675H01	Screw, Adjusting	1	
—8	534A0732H01	Capscrew, Socket Head, (M12x1.75) x 55 w/fused locking patch	1	
—9	534C1279H01	Spindle	1	
—10	534C1280H01	Piston	1	
—11	534B0182H05	Collar, Clamp	1	
—12	980A0012A68	O-ring ■	1	
—13	534A0730H01	Washer, Steel	2	
—14	534A0731H01	Washer, Brass	2	
—15	111Q0740814	Capscrew, Socket Head, (M8x1.25) x 35mm	4	
—16	111Q0110110	Capscrew, Socket Head, 3/8-16 x .75"	1	
—17	581A0011H07	Washer, Spring, 3/8"	1	
—18	534A0037H03	Pin, Dowel, 5m6 x 16mm	2	
—19	534B0079H08	Slydring® ■	1	

**XJS/XJF ROTARY SCREW COMPRESSORS
SERVICE PARTS LIST**



FRICK COMPRESSOR OILS			
Number	5 Gallon	55 Gallon	330 Gallon
2A	111Q0550019	111Q0550020	333Q0001866
3	111Q0550001	111Q0550010	333Q0001861
4	—	111Q0550005	—
5	111Q0550008	111Q0550009	—
6	333Q0000940	333Q0000941	—
7	111Q0550024	111Q0550025	—
9	333Q0000850	333Q0000849	333Q0001862
10	333Q0000740	333Q0000739	—
11	333Q0000852	333Q0000851	333Q0001863
12	333Q0001141	333Q0001142	—
13	333Q0001253	333Q0001254	—
14	333Q0001144	333Q0001145	—
18	—	333Q0001892	—
NG 1	—	333Q0001850	—
NG 2	—	333Q0001851	—
NG 3	—	333Q0001852	—

Oil Analysis Kit - 333Q0001853
Tube of ODP Motor Grease - 333Q0001860

FRICK BLUE PAINT	
Size Each	Item Number
1 PT.	993A0001H01*
1 GAL.	333Q0000404
2 GAL.	333Q0000724**

* Spray Can

** Matte finish epoxy paint. One gallon each of resin and cure that require mixing.



**XJS/XJF ROTARY SCREW COMPRESSORS
SERVICE PARTS LIST**

**S70-450 SPL
Page 27**

This page left blank intentionally.

XJS/XJF ROTARY SCREW COMPRESSORS
NUMERICAL PARTS LIST



ITEM NUMBER	FIG. & INDEX NO.	ITEM NUMBER	FIG. & INDEX NO.	ITEM NUMBER	FIG. & INDEX NO.
111Q0110110	2-19	534A0037H03	2-10	534A0506H01	4-30
111Q0110110	5-16	534A0037H03	5-18	534A0542G02	4-1
111Q0452188	1-94	534A0037H12	1-36	534A0555H01	4-21
111Q0452188	3-109	534A0037H12	3-75	534A0559H01	4-22
111Q0452188	4-100	534A0037H12	4-67	534A0560H01	4-23
111Q0740723	1-79	534A0038H02	1-35	534A0561H01	4-24
111Q0740737	4-49	534A0038H02	3-34	534A0564G01	4-42
111Q0740739	1-80	534A0038H02	4-70	534A0564G02	4-42
111Q0740739	1-80	534A0038H06	1-34	534A0564G03	4-42
111Q0740739	2-7	534A0038H06	3-25	534A0564G04	4-42
111Q0740739	3-69	534A0038H06	4-71	534A0565H01	4-85
111Q0740740	3-86	534A0062H02	4-32	534A0566H01	4-28
111Q0740748	1-83	534A0145H01	1-16	534A0567H01	4-29
111Q0740748	3-9	534A0145H01	3-65	534A0568H05	4-92
111Q0740749	4-50	534A0147G01	1-26	534A0569H01	4-81
111Q0740772	1-82	534A0147G01	3-52	534A0569H01	5-6
111Q0740772	3-113	534A0147G02	1-26	534A0570H01	4-72
111Q0740781	1-83	534A0147G02	3-52	534A0572H01	4-54
111Q0740781	3-9	534A0147G03	1-26	534A0591H01	4-82
111Q0740781	4-51	534A0147G03	3-52	534A0658G01	3-1
111Q0740784	1-99	534A0154H01	1-85	534A0658G02	1-19
111Q0740784	3-105	534A0154H01	3-96	534A0725H01	2-9
111Q0740784	4-96	534A0157G01	1-26	534A0726H01	2-16
111Q0740792	3-47	534A0157G01	3-52	534A0727H01	2-17
111Q0740800	1-100	534A0157G02	1-26	534A0730H01	5-13
111Q0740800	3-103	534A0157G02	3-52	534A0731H01	5-14
111Q0740800	4-94	534A0157G03	1-26	534A0732H01	5-8
111Q0740807	4-52	534A0157G03	3-52	534A0835H01	1-30
111Q0740807	5-3	534A0167H01	1-16	534A0835H01	2-4
111Q0740814	5-15	534A0167H01	3-65	534A0835H01	3-5
111Q0740838	1-79	534A0171H01	1-85	534B0004H13	1-41
111Q0740838	3-50	534A0171H01	3-96	534B0004H13	1-41
111Q0740839	1-100	534A0173H01	1-76	534B0004H13	3-54
111Q0740839	3-103	534A0173H01	3-18	534B0004H13	3-57
111Q0740839	4-94	534A0173H01	4-89	534B0004H14	1-42
111Q0740840	3-9	534A0195G01	1-19	534B0004H14	3-67
111Q0993344	1-84	534A0195G01	3-1	534B0004H15	1-41
111Q0993344	3-94	534A0219H01	1-33	534B0004H15	3-54
111Q0993344	4-84	534A0219H01	1-33	534B0004H16	1-42
333Q0000584	2-13	534A0219H01	3-43	534B0004H16	3-67
333Q0000703	1-103	534A0219H01	3-43	534B0004H17	1-40
333Q0000703	3-91	534A0219H01	4-80	534B0004H17	3-27
333Q0000717	1-104	534A0230H01	1-18	534B0004H18	1-40
333Q0000717	3-92	534A0230H01	3-64	534B0004H18	3-27
333Q0000738	3-86	534A0231H01	1-18	534B0004H21	1-43
333Q0000738	4-30	534A0231H01	3-64	534B0004H21	3-62
333Q0000910	4-41	534A0341H01	1-75	534B0004H22	1-43
333Q0001522	4-53	534A0341H01	3-17	534B0004H22	3-62
534A0032H02	1-29	534A0342H01	1-107	534B0004H28	4-43
534A0032H02	3-99	534A0342H01	3-89	534B0004H29	4-44
534A0032H02	4-78	534A0343H01	1-81	534B0004H30	4-45
534A0035H12	1-73	534A0343H01	3-16	534B0004H31	4-46
534A0035H12	3-30	534A0506H01	3-86	534B0014H09	4-73

ITEM NUMBER	FIG. & INDEX NO.	ITEM NUMBER	FIG. & INDEX NO.	ITEM NUMBER	FIG. & INDEX NO.
534B0014H17	1—70	534B0193H01	1—38	534C0187H08	3—81
534B0014H17	3—63	534B0193H01	3—49	534C0187H09	1—64
534B0014H18	1—70	534B0199H01	1—23	534C0187H09	3—81
534B0014H18	3—63	534B0199H01	3—71	534C0187H10	1—64
534B0015H13	4—74	534B0208H01	1—23	534C0187H10	3—14
534B0079H03	1—65	534B0208H01	3—71	534C0187H16	4—34
534B0079H03	3—15	534B0210H01	1—96	534C0187H17	4—36
534B0079H04	1—65	534B0210H01	3—110	534C0187H18	4—38
534B0079H04	2—21	534B0210H01	4—101	534C0194H07	3—2
534B0079H04	3—15	534B0233H01	1—17	534C0194H08	3—114
534B0079H08	4—33	534B0233H01	3—40	534C0194H16	1—108
534B0079H08	5—19	534B0234H01	1—17	534C0194H16	3—114
534B0101H07	1—44	534B0235H01	1—27	534C0194H27	4—104
534B0101H07	3—41	534B0235H01	3—97	534C0194H61	4—105
534B0101H08	1—44	534B0293H01	1—93	534C0373H01	1—22
534B0101H23	1—45	534B0293H01	3—104	534C0373H01	3—58
534B0101H23	3—61	534B0293H01	4—95	534C0375C01	1—9
534B0101H24	1—45	534B0301H01	1—71	534C0377H01	1—22
534B0101H24	3—61	534B0301H01	3—73	534C0377H01	3—55
534B0101H27	4—47	534B0302H01	1—71	534C0378C01	1—7
534B0110H01	1—97	534B0302H01	3—73	534C0378C01	3—44
534B0110H01	3—107	534B0483H01	3—40	534C0378C02	1—8
534B0110H01	4—98	534B0527H01	4—31	534C0378C02	3—35
534B0125H11	1—74	534B0671H01	2—14	534C0381C01	1—10
534B0125H11	3—29	534B0672H01	2—11	534C0381C01	3—22
534B0125H12	1—74	534B0673H01	2—12	534C0408G01	1—39
534B0125H12	3—29	534B0674H01	2—22	534C0408G01	3—6
534B0149H01	4—68	534B0675H01	5—7	534C0415C01	1—5
534B0149H02	1—37	534B0872H01	4—25	534C0415C01	3—60
534B0149H02	3—48	534B0909H01	1—73	534C0419C01	1—7
534B0151H01	4—69	534B0909H01	3—30	534C0419C01	3—44
534B0174H02	1—67	534B0909H02	4—76	534C0419C02	1—8
534B0174H02	1—68	534B0909H04	4—77	534C0419C02	3—35
534B0174H02	1—68	534B0930H01	1—92	534C0423C01	1—9
534B0174H02	3—53	534B0930H01	2—3	534C0423C01	3—78
534B0174H02	3—56	534B0930H01	3—4	534C0424C01	1—10
534B0174H03	1—67	534B0986H01	1—27	534C0424C01	3—22
534B0174H03	3—53	534B0986H01	3—97	534C0426H01	1—22
534B0174H04	1—69	534B0987H01	1—27	534C0426H01	3—55
534B0174H04	3—66	534B0987H01	3—97	534C0426H01	3—58
534B0174H06	1—69	534B0993H01	4—40	534C0428G01	1—39
534B0174H06	3—66	534B0994H01	1—24	534C0428G01	3—6
534B0174H10	1—66	534B0994H01	3—77	534C0431H01	1—77
534B0174H10	3—87	534B0995H01	1—24	534C0431H01	3—20
534B0174H17	4—75	534B0995H01	3—77	534C0432C01	1—98
534B0182H02	1—25	534C0096H05	1—101	534C0432C01	3—106
534B0182H02	3—72	534C0096H05	3—103	534C0432C01	4—97
534B0182H03	1—25	534C0096H05	3—108	534C0445C01	1—21
534B0182H03	3—72	534C0096H05	4—94	534C0445C01	3—26
534B0182H04	2—8	534C0096H05	4—99	534C0446C01	1—21
534B0182H05	5—11	534C0187H08	1—63	534C0446C01	3—26
534B0185H01	1—27	534C0187H08	1—63	534C0471C01	1—2
534B0185H01	3—97	534C0187H08	3—14	534C0471C01	3—42

XJS/XJF ROTARY SCREW COMPRESSORS
NUMERICAL PARTS LIST



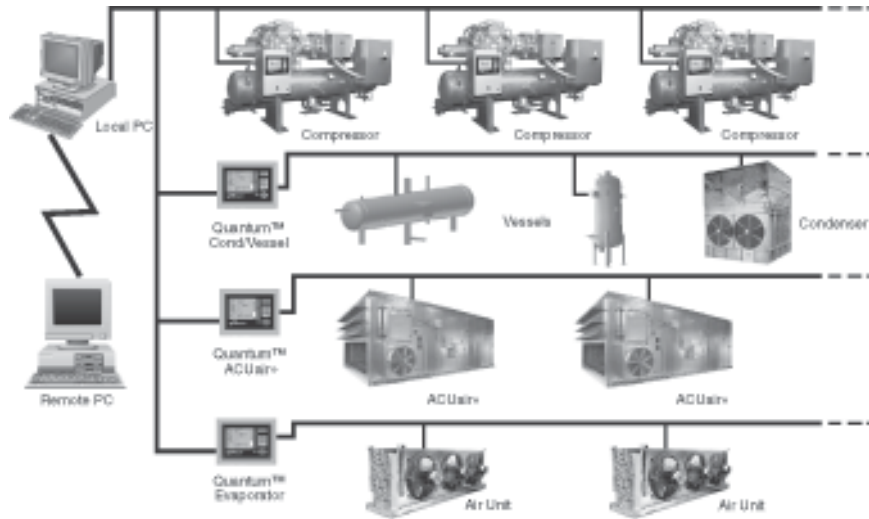
ITEM NUMBER	FIG. & INDEX NO.	ITEM NUMBER	FIG. & INDEX NO.	ITEM NUMBER	FIG. & INDEX NO.
534C0472C01	1—3	534C1160H01	4—102	534E0273C01	3—83
534C0472C01	3—31	534C1279H01	5—9	534E0307C01	3—10
534C0473C01	1—2	534C1280H01	5—10	534E0437C01	3—83
534C0473C01	3—42	534C1552H01	1—47	534E0446C01	3—10
534C0474C01	1—3	534C1552H01	3—101	534E0521C01	4—4
534C0474C01	3—31	534C1552H01	4—106	535B0243H01	4—26
534C0478H10	1—46	534C1552H02	1—47	535B0259H01	1—87
534C0478H10	3—28	534C1552H02	3—101	535B0259H01	3—93
534C0478H11	1—46	534C1552H02	4—106	535B0260H01	1—87
534C0478H11	3—28	534D0322C01	1—4	535B0260H01	3—93
534C0478H11	3—41	534D0322C01	2—1	535B0261H01	1—87
534C0478H12	4—48	534D0322C01	3—3	535B0261H01	3—93
534C0479H03	1—32	534D0324C01	1—5	535B0262H01	1—87
534C0479H03	3—38	534D0324C01	2—2	535B0262H01	3—93
534C0479H04	1—32	534D0324C01	3—60	535C1062C01	4—12
534C0479H11	1—31	534D0325C01	1—12	580D0071H24	1—91
534C0479H11	3—32	534D0325C01	3—82	580D0071H24	3—111
534C0479H12	1—31	534D0326H01	1—11	581A0011H07	2—20
534C0479H12	3—32	534D0326H01	3—59	581A0011H07	5—17
534C0480H01	1—13	534D0341C01	1—88	581B0001H03	2—18
534C0480H01	3—39	534D0341C01	3—7	649A0890H02	4—84
534C0481C01	3—36	534D0342C01	1—4	649A0890H11	4—84
534C0481H01	1—14	534D0342C01	3—3	901A0085H04	1—101
534C0482H01	1—13	534D0343H01	1—12	901A0085H04	3—86
534C0483H01	1—14	534D0344H01	1—11	901A0085H04	3—108
534C0486H04	1—102	534D0344H01	3—59	901A0085H04	4—30
534C0486H08	1—102	534D0349C01	1—88	901A0085H04	4—99
534C0486H08	3—90	534D0349C01	3—7	901A0085H08	4—55
534C0486H09	1—105	534D0640H01	1—15	901A0085H08	5—4
534C0486H10	1—106	534D0640H01	3—12	901A0085H09	3—69
534C0611H01	1—20	534D0641H01	1—15	901A0085H10	3—50
534C0611H01	3—70	534D0641H01	3—12	901A0085H19	1—78
534C0612H01	1—20	534D0856G01	1—72	901A0085H19	1—78
534C0612H01	3—70	534D0860G01	3—2	901A0085H19	2—6
534C0613C01	1—6	534D0860G01	3—68	901A0085H19	3—23
534C0613C01	3—74	534D0914C01	4—3	901A0085H19	3—23
534C0614C01	1—6	534D0916C01	4—5	901A0085H19	4—86
534C0614C01	3—74	534D0916C01	5—1	901A0192H07	1—83
534C0625H01	1—95	534D0917H01	4—6	901A0192H07	3—9
534C0625H01	3—102	534D0917H01	5—2	901A0222H11	1—83
534C0625H01	4—93	534D0918H01	4—15	944A0008H05	1—108
534C0660H01	3—84	534D0919H01	4—16	944A0008H05	3—114
534C0661C01	3—78	534D0920H01	4—17	944A0228H05	4—105
534C0703C01	3—45	534D0921H01	4—18	944A0296H06	1—91
534C0709H01	3—85	534D0925G01	4—2	944A0296H08	4—27
534C1011H01	3—84	534D0929C01	4—19	944A0358H05	3—111
534C1044H01	3—82	534D0940H01	4—20	951A0054H01	1—86
534C1057C01	4—7	534E0143C01	1—72	951A0054H01	3—95
534C1058C01	4—8	534E0143C01	3—2	951A0054H03	3—95
534C1059C01	4—9	534E0155C01	1—72	951A0095H01	4—83
534C1060C01	4—10	534E0194C01	1—1	956A0015H03	4—90
534C1061C01	4—11	534E0195C01	1—1	959A0044H11	4—87
534C1072H01	4—14	534E0272C01	3—68	959A0054H10	1—90

ITEM NUMBER	FIG. & INDEX NO.	ITEM NUMBER	FIG. & INDEX NO.	ITEM NUMBER	FIG. & INDEX NO.
959A0054H10	3—8	980A0012B72	3—76		
959A0057H06	1—89	980A0012B72	4—58		
959A0057H06	3—112	980A0012B73	4—59		
959A0057H09	4—88	980A0012B74	3—46		
959A0057H18	1—89	980A0012B76	4—60		
959A0057H18	3—112	980A0012B78	4—61		
959A0066H12	1—90	980A0012B91	4—62		
959A0066H12	3—8	980A0012B99	1—60		
980A0012A62	4—56	980A0012B99	3—11		
980A0012A65	2—15	980A0012H05	1—60		
980A0012A68	5—12	980A0012H05	3—11		
980A0012A85	1—48	980A0012H06	1—61		
980A0012A85	3—24	980A0012H06	3—51		
980A0012A86	1—49	980A0012H10	1—61		
980A0012A86	3—13	980A0012H10	3—51		
980A0012A88	1—50	980A0012H10	4—63		
980A0012A89	1—51	980A0012H12	4—64		
980A0012A89	3—21	980A0012H49	4—39		
980A0012A90	1—52	980A0012H51	4—35		
980A0012A90	3—88	980A0012H55	4—37		
980A0012A93	1—48	980A0012K60	4—105		
980A0012A93	3—24	980A0012K62	1—59		
980A0012A94	1—49	980A0012K62	3—100		
980A0012A94	1—52	980A0012K62	4—79		
980A0012A94	1—53	980A0012K66	4—65		
980A0012A94	3—13				
980A0012A94	3—80				
980A0012A94	3—88				
980A0012A95	1—50				
980A0012A95	3—37				
980A0012A96	1—54				
980A0012A97	1—51				
980A0012A97	1—55				
980A0012A97	2—5				
980A0012A97	3—21				
980A0012A97	3—33				
980A0012A98	1—56				
980A0012A98	1—62				
980A0012A98	3—79				
980A0012A98	3—80				
980A0012B02	1—56				
980A0012B02	3—79				
980A0012B02	4—103				
980A0012B03	1—54				
980A0012B03	1—55				
980A0012B03	3—33				
980A0012B04	1—57				
980A0012B04	3—76				
980A0012B06	5—5				
980A0012B35	1—58				
980A0012B35	3—19				
980A0012B63	4—57				
980A0012B72	1—57				

Q-NET™ network technology...

Make the Connection with **QUANTUM™**!

Preengineered for Lower Cost
Distributed System with Remote Control
Single-Cable Network
Easy to Expand or Upgrade



System integration is what we do...

- Q-NET™ ... supports open-protocols for your SCADA system (i.e. Allen Bradley DF1 and Modbus ASCII)
- Q-NET™ ... connects for local or remote access
- Q-NET™ ... can be applied to both new and existing systems

Q-NET™ means precise control 24 hours a day, seven days a week

Q-NET™ distributed architecture means faster, easier, economical installations

Q-NET™ delivers increased operating efficiency and lowers energy costs

Now available on Frick's ACUair® hygienic air handlers, condensers, screw compressors, evaporators, and refrigerant vessels, too.

Take full advantage of Q-NET™ technology with all Frick® products!



YORK Refrigeration Systems
100 CV Avenue • P.O. Box 997 • Waynesboro, Pennsylvania USA 17268-0997
Phone: 717-762-2121 • FAX: 717-762-8624 • www.frickcold.com