



BY JOHNSON CONTROLS

Form 070-450 SPL (NOV 2008)

SERVICE PARTS LIST

File: SERVICE MANUAL - Section 70
Replaces: S70-450 SPL (NOV 2007)
Dist: 3, 3a, 3b, 3c

Service Parts List

XJS / XJF

ROTARY SCREW COMPRESSORS

MODELS: 95, 120 and 151

CURRENT XJS 95 & 120 RECOMMENDED SPARE PARTS KITS

DESCRIPTION	95S	95M	95L	120S	120M	120L
Shaft Seal Kit ●	111Q0043229	111Q0043229	111Q0043229	534A0980G01	534A0980G01	534A0980G01
O-ring & Gasket Kit ■	111Q0043226	111Q0043226	111Q0043226	111Q0043223	111Q0043223	111Q0043223
Slide Valve Kit ★	534B1065G01	534B1065G01	534B1065G01	534B1066G01	534B1066G01	534B1066G01
Jackshaft Kit ⁽¹⁾⁽²⁾ ▲	534C1465G01	534C1465G02	534C1465G03	534C2028G01	534C2028G02	534C2028G03
Bearing Kit ⁽³⁾ ◆	534M0488G01	534M0488G01	534M0488G01	534M0489G01	534M0489G01	534M0489G01
Thrust Bearing Kit ⁽³⁾ ●	534M0250G01	534M0250G01	534M0250G01	534M0251G01	534M0251G01	534M0251G01
Linear Transmitter ⁽⁴⁾	534C1552H02	534C1552H02	534C1552H02	534C1552H02	534C1552H02	534C1552H02
Compressor Tool Kit	534M0008G01	534M0008G01	534M0008G01	534M0008G02	534M0008G02	534M0008G02

Note: When stocking the above, the quantity should be adjusted to meet your individual requirements.

- (1) Contains Shaft Seal Kit and shims.
- (2) For S/N 0061A, 0022B, 0054C, 0211D, 0098E, 0085F and after, with thick gear cover. Contact Baltimore Parts Center for earlier compressors with thin gear cover.
- (3) Thrust Bearing Kit items are included in Bearing Kit. Both supply shims.
- (4) For older packages with Plus Board, use Linear Transmitter 534C1681H01.

CURRENT XJF 95 & 120 RECOMMENDED SPARE PARTS KITS

DESCRIPTION	95S	95M	95L	120S	120M	120L
Shaft Seal Kit ●	111Q0043229	111Q0043229	111Q0043229	534A0980G01	534A0980G01	534A0980G01
O-ring & Gasket Kit ■	111Q0043226	111Q0043226	111Q0043226	111Q0043223	111Q0043223	111Q0043223
Slide Valve Kit ★	534B1065G01	534B1065G01	534B1065G01	534B1066G01	534B1066G01	534B1066G01
Jackshaft Kit ⁽¹⁾ ▲	534C1465G01	534C1465G02	534C1465G03	534C2028G01	534C2028G02	534C2028G03
Bearing Kit ⁽²⁾ ◆	534M0488G02	534M0488G02	534M0488G02	534M0489G01	534M0489G01	534M0489G01
Thrust Bearing Kit ⁽²⁾ ●	534M0250G01	534M0250G01	534M0250G01	534M0251G01	534M0251G01	534M0251G01
Linear Transmitter ⁽³⁾	534C1552H02	534C1552H02	534C1552H02	534C1552H02	534C1552H02	534C1552H02
Compressor Tool Kit	534M0008G01	534M0008G01	534M0008G01	534M0008G02	534M0008G02	534M0008G02

Note: When stocking the above, the quantity should be adjusted to meet your individual requirements.

- (1) Contains Shaft Seal Kit and shims.
- (2) Thrust Bearing Kit items are included in Bearing Kit. Both supply shims.
- (3) For older packages with Plus Board, use Linear Transmitter 534C1681H01.

CURRENT XJF 151 RECOMMENDED SPARE PARTS KITS

DESCRIPTION	151A	151M	151L	151N
Shaft Seal Kit ●	534M0602G02	534M0602G02	534M0602G02	534M0602G02
O-ring & Gasket Kit ■	534M0602G01	534M0602G01	534M0602G01	534M0602G01
Jackshaft Kit ⁽¹⁾ ▲	534M0602G04	534M0602G05	534M0602G06	534M0602G07
Bearing Kit ⁽²⁾ ◆	534M0602G03	534M0602G03	534M0602G03	534M0602G03
Linear Transmitter ⁽³⁾	534C1552H02	534C1552H02	534C1552H02	534C1552H02
Compressor Tool Kit	534M0483G01	534M0483G01	534M0483G01	534M0483G01

Note: When stocking the above, the quantity should be adjusted to meet your individual requirements.

- (1) Contains Jackshaft Assembly: 151A - 534C1195G01, 151M - 534C1195G02, 151L - 534C1195G03, 151N - 534C1195G04.
- (2) Contains shims.
- (3) For older packages with Plus Board, use Linear Transmitter 534C1681H01.

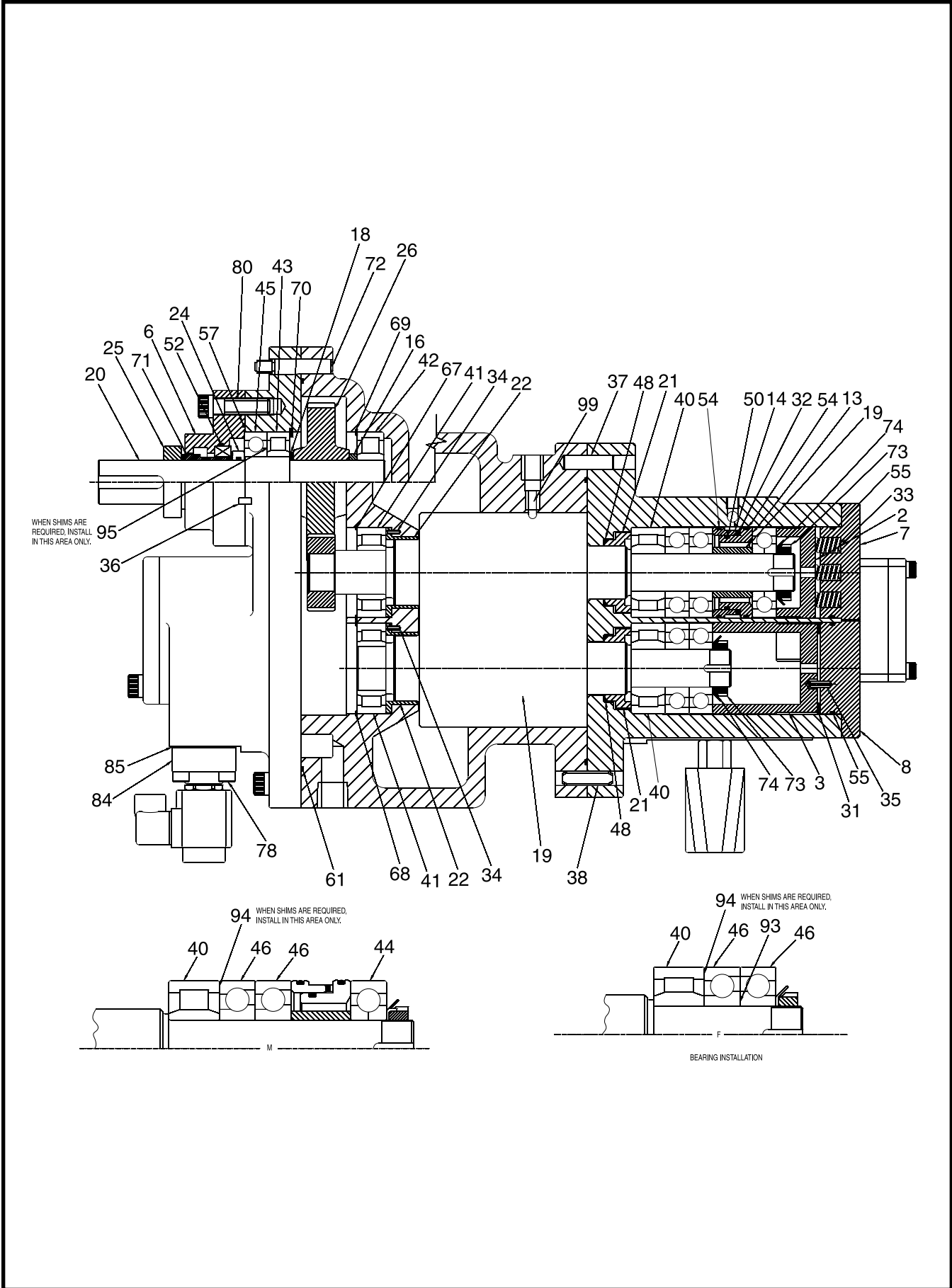


Figure 1a. XJS 95 Screw Compressor, Typical.

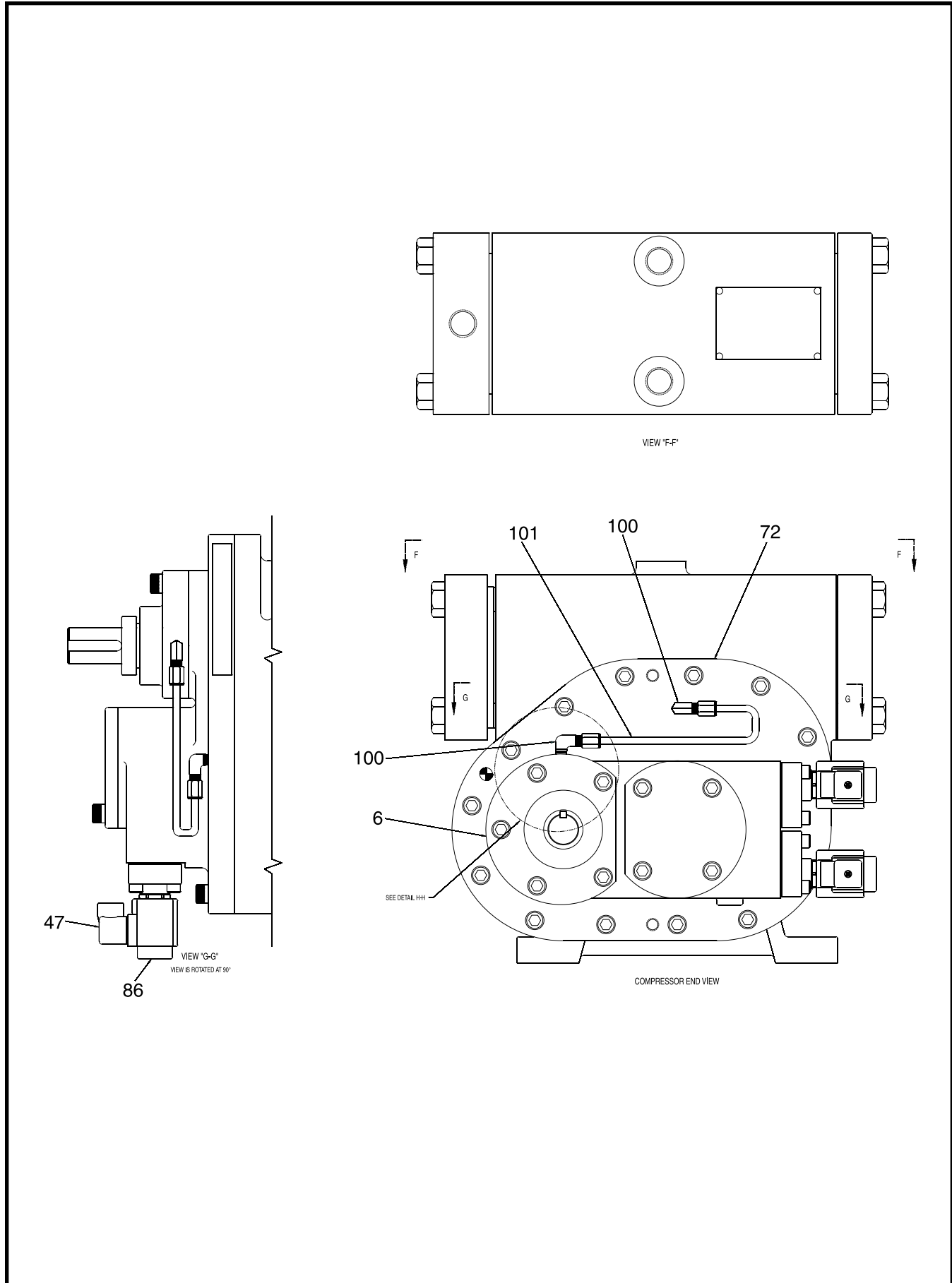


Figure 1c. XJS 95 Screw Compressor, Typical.

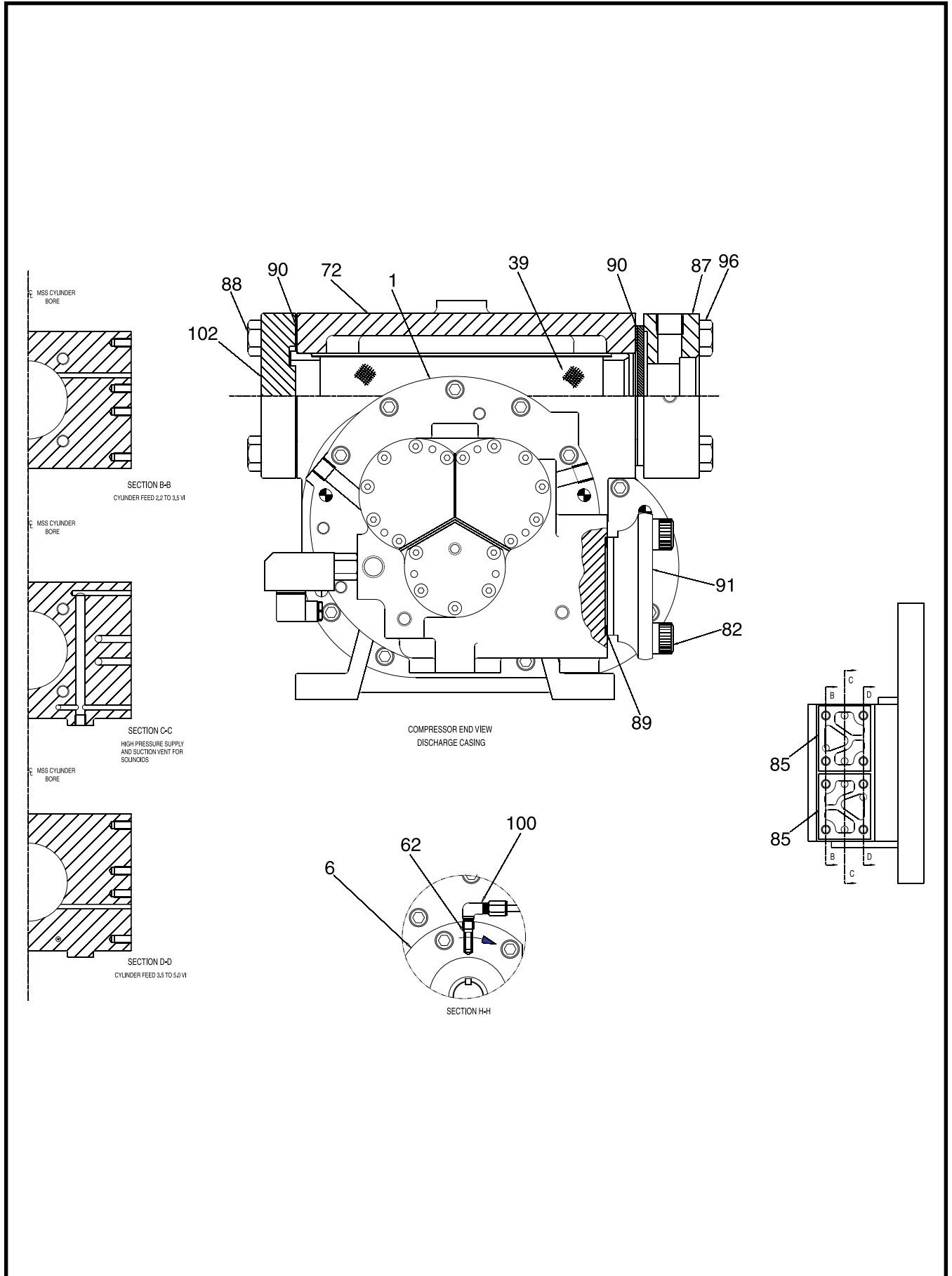


Figure 1d. XJS 95 Screw Compressor, Typical.

FIG. & INDEX	ITEM NUMBER	DESCRIPTION	QTY.	REV.
1-	534E0256	XJS 95S/M/L Screw Compressor, New	Ref.	AE
	534E0256G01	XJS 95S Screw Compressor	Ref.	
	534E0256G02	XJS 95M Screw Compressor	Ref.	
	534E0256G03	XJS 95L Screw Compressor	Ref.	
-1	534E0195C01	Casing, Discharge, XJS 95	1	
-2	534C0473C01	Sleeve, Male Distance, XJS 95	1	
-3	534C0474C01	Sleeve, Female Distance, XJS 95	1	
-4	534D0342C01	Valve, Slide, XJS 95	1	
-5	534C0415C01	Stop, Slide, XJS 95	1	
-6	534C0614C01	Housing, Seal, XJS 95 ▲	1	
-7	534C0419C01	Cover, Outlet Bore, XJS 95	1	
-8	534C0419C02	Cover, Outlet Bore, XJS 95	1	
-9	534C0423C01	Cover, Slide Stop, XJS 95	1	
-10	534C0424C01	Cover, Cylinder, XJS 95	1	
-11	534D0344H01	Piston, Slide Stop, XJS 95	1	
-12	534C1044H01	Piston, Stepper, XJS 95	1	
-13	534C0482H01	Piston, Balance, XJS 95	1	
-14	534C0483H01	Sleeve, Balance Piston, XJS 95	1	
-15	534D1518H01	Piston, Slide Valve, XJS 95 ★	1	
-16	534A0167H01	Spacer, Bearing, XJS 95 ▲	1	
-17	534B0234H01	Spacer, Bearing, XJS 95	1	
-18	534A0230H01	Spacer, Bearing, XJS 95 ▲	1	
-19	534A0195G01	Rotor Pair, XJS 95	1	
-20	534C0612H01	Jackshaft, XJS 95 ▲	1	
-21	534C0446C01	Seal, Gas, XJS 95 ◆	2	
-22	534C0426H01	Bushing, Male/Female Inlet, XJS 95 ◆	2	
-23	534B0208H01	Key, XJS 95	1	
-24	534B0731H01	Shaft Seal, XJS 95 ●	1	
-25	534B0182H02	Collar, Clamp, XJS 95 ●	1	
-26	534A0157G01	Set, Gear, 66:31 Ratio, XJS 95 ▲	1	
	534A0157G02	Set, Gear, 60:37 Ratio, XJS 95 ▲	1	
	534A0157G03	Set, Gear, 55:42 Ratio, XJS 95 ▲	1	
-27	534B0986H01	Rod, Indicator, XJS 95 (Linear Transmitter)	1	
-28	-	not used		
-29	534A0883H01	Spring, Indicator Rod (Linear Transmitter)	1	
-30	534A0835H01	Spring, Unloader	2	
-31	534C0479H11	Spring, Wave, XJS 95 ◆◆	1	
-32	534C0479H04	Spring, Wave, XJS 95	2	
-33	534A0219H01	Spring, Compression, XJS 95	7	
-34	534A0038H06	Pin, Spring, .125 x .375"	4	
-35	534A0038H02	Pin, Spring, .187 x .625"	2	
-36	534A0037H12	Pin, Dowel	2	
-37	534B0149H02	Pin, Dowel	1	
-38	534B0193H01	Pin, Dowel	1	
-39	534C0428G01	Assembly, Suction Strainer, XJS 95	1	
-40	534B0004H18	Bearing, Roller, XJS 95 ◆	2	
-41	534B0004H13	Bearing, Roller, XJS 95 ◆	2	
-42	534B0004H16	Bearing, Roller, XJS 95 ▲	1	
-43	534B0004H21	Bearing, Roller, XJS 95 ▲	1	
-44	534B0101H08	Bearing, Four-Point Contact Ball, XJS 95 ◆◆	1	
-45	534B0101H23	Bearing, Four-Point Contact Ball, XJS 95 ▲	1	
-46	534C0478H11	Bearing, Angular Contact Ball, XJS 95 ◆◆	4	
-47	534C1552H01	Transmitter, Linear, w/well	1	
	534C1552H02	Transmitter, Linear, less well	1	
	649A0890H02	DIN Connector	3	
	649A0890H11	Gasket3		
-48	980A0012A85	O-ring, XJS 95 ■	2	
-49	980A0012A86	O-ring, XJS 95 ■★	2	
-50	980A0012A88	O-ring, XJS 95 ■	1	
-51	980A0012A89	O-ring, XJS 95 ■★	1	

FIG. & INDEX	ITEM NUMBER	DESCRIPTION	QTY.	REV.
-52	980A0012A90	O-ring, XJS 95 ■●	1	
-53	980A0012A94	O-ring, XJS 95 ■	1	
-54	980A0012A96	O-ring, XJS 95 ■	2	
-55	980A0012A97	O-ring, XJS 95 ■	2	
-56	980A0012A98	O-ring, XJS 95 ■	1	
-57	980A0012B04	O-ring, XJS 95 ■●	1	
-58	980A0012B35	O-ring, XJS 95 ■★	1	
-59	980A0012K62	O-ring, XJS 95 ■	1	
-60	980A0012B99	O-ring, XJS 95 ■	1	
-61	980A0012H06	O-ring, XJS 95 ■▲	1	
-62	534A0342H01	Strainer ●	1	
-63	534C0187H08	Glyd Ring®, XJS 95 ■★	1	
-64	534C0187H10	Glyd Ring®, XJS 95 ■★	2	
-65	534B0079H03	Slydring®, XJS 95 ■★	1	
-66	534B0174H10	Ring, Retaining, XJS 95	1	
-67	534B0174H03	Ring, Retaining, Male Rotor, XJS 95	1	
-68	534B0174H02	Ring, Retaining, Female Rotor, XJS 95	1	
-69	534B0174H06	Ring, Retaining, XJS 95 ▲	1	
-70	534B0014H17	Ring, Retaining, XJS 95 ▲	1	
-71	534B0302H01	Ring, Seal Seat Back-up, XJS 95 ●	1	
-72	534D0856G01	Assembly, Rotor Casing, XJS 95	1	
-73	534A0035H12	Locknut, XJS 95 ◆	2	
-74	534B0125H12	Lockwasher, XJS 95 ◆	2	
-75	534A0341H01	Washer, Check Valve Retainer ★	1	
-76	534A0173H01	Valve, Internal Check ★	1	
-77	534C0431H01	Retainer, Check Valve ★	1	
-78	901A0085H19	Capscrew, Socket Head, (M8x1.25) x 30mm, XJS 95	25	
-79	111Q0740723	Capscrew, Socket Head, (M12x1.75) x 55mm, XJS 95	4	
-80	111Q0740739	Capscrew, Socket Head, (M12x1.75) x 45mm, XJS 95	31	
-81	not used			
-82	111Q0740772	Capscrew, Socket Head, (M20x2.5) x 75mm, XJS 95	4	
-83	111Q0740748	Capscrew, Socket Head, (M20x2.5) x 65mm, XJS 95 Blank	4	
-84	951A0115H10	Valve, Solenoid	2	
-85	534C1972H01	Gasket, Solenoid Valve ■	2	
-86	950A0293H02	Coil, Solenoid, 115VAC	2	
-87	534C1868H01	Assembly, Suction Flange, 2-1/2", XJS 95	1	
	534C1872H01	Assembly, Suction Flange, 3", XJS 95	1	
-88	534D0349C01	Flange, Blank, XJS 95	1	
-89	959A0057H06	Gasket, Flange, XJS 95 ■	1	
-90	959A0066H12	Gasket, Flange, XJS 95 ■	2	
-91	580D0071H24	Flange, Socket Weld, 2-1/2", XJS 95	1	
-92	534B0930H01	Support, Spring	1	
-93	534C0486H08	Shim, Female Discharge Bearings, XJS 95 ◆◆	1	
-94	333Q0000703	Shim Pack, Discharge Bearings, XJS 95	A/R	
-95	333Q0000717	Shim Pack, Shaft Seal/Bearings Arrangement, XJS 95	A/R	
-96	901A0222H11	Capscrew, Socket Head, (M20x2.5) x 90mm, XJS 95 Suction	4	
-97	534A0932H01	Washer Set, Spherical	1	
-98	534C0194H16	Plug, Orifice, 3/8-18 NPTF w/.062" orifice, XJS 95	1	
-99	534C0194H07	Plug, Orifice, 1/4-18 NPTF w/.136" orifice, XJS 95	1	
-100	944A0113H01	Elbow, 1/4 ODF x 1/8" MPT	2	
-101	534B0480H01	Tubing, Shaft Seal Oil Feed, XJS 95	1	

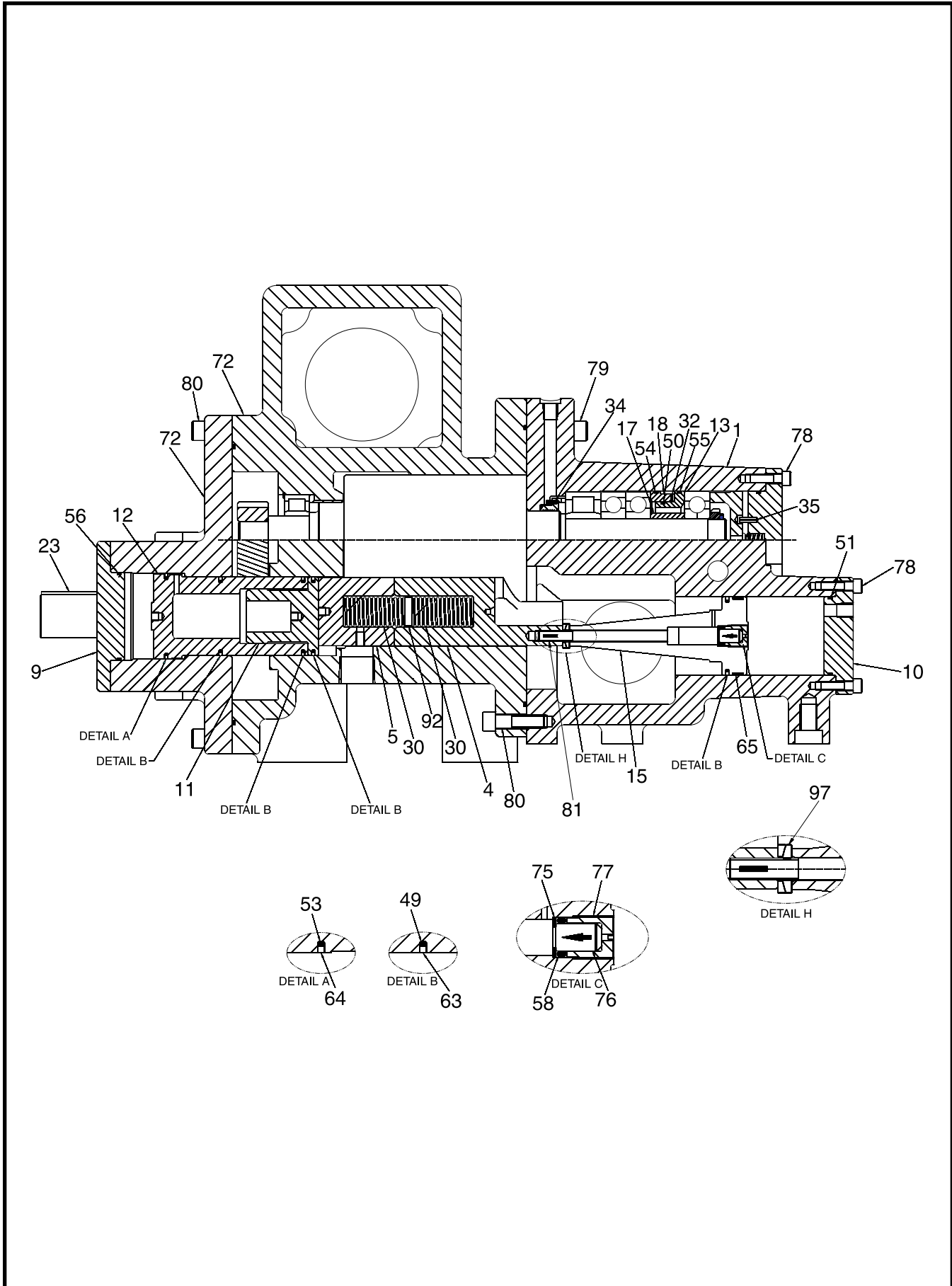


Figure 2a. XJS 120 Screw Compressor, Typical.

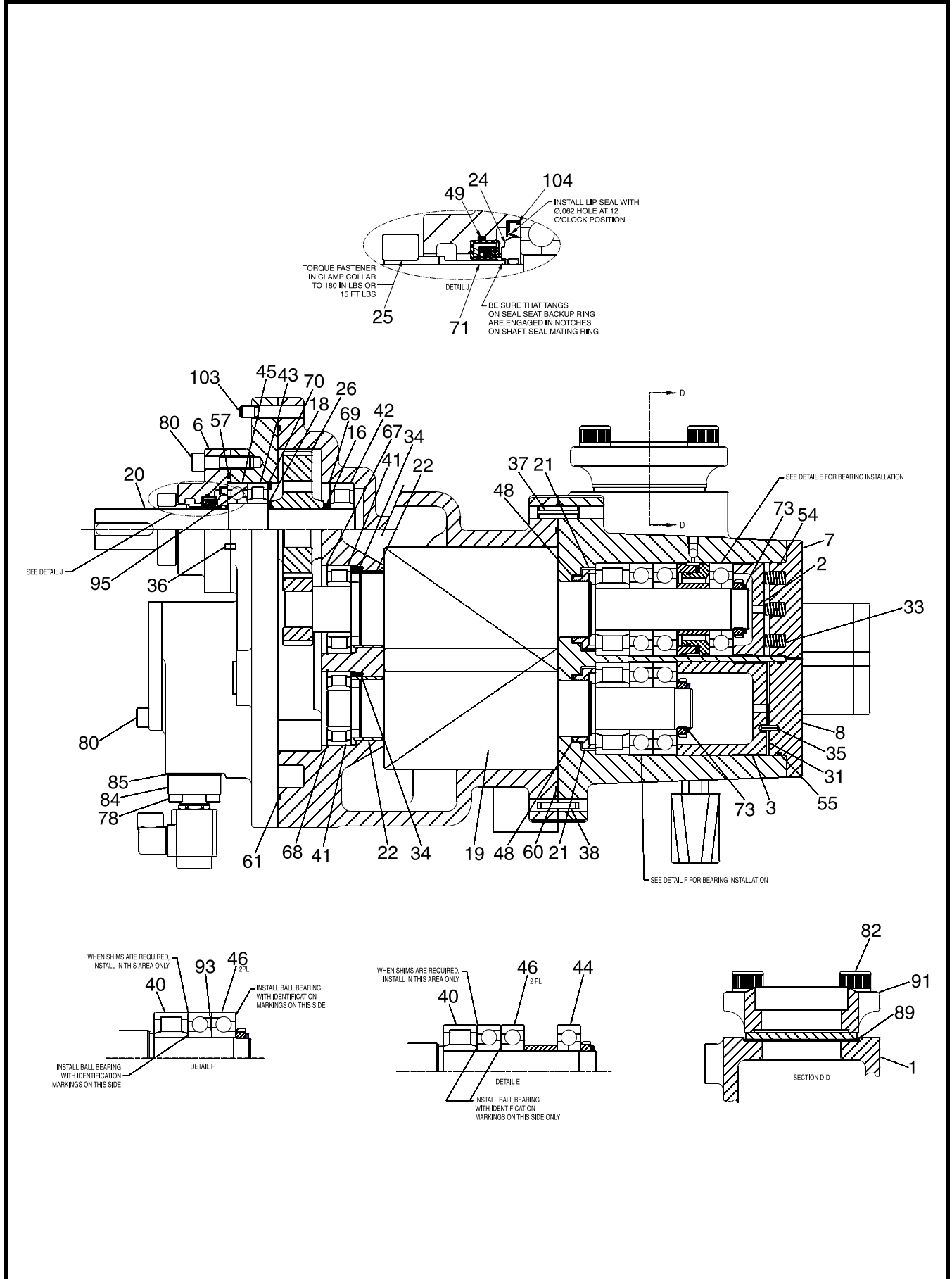


Figure 2b. XJS 120 Screw Compressor, Typical.

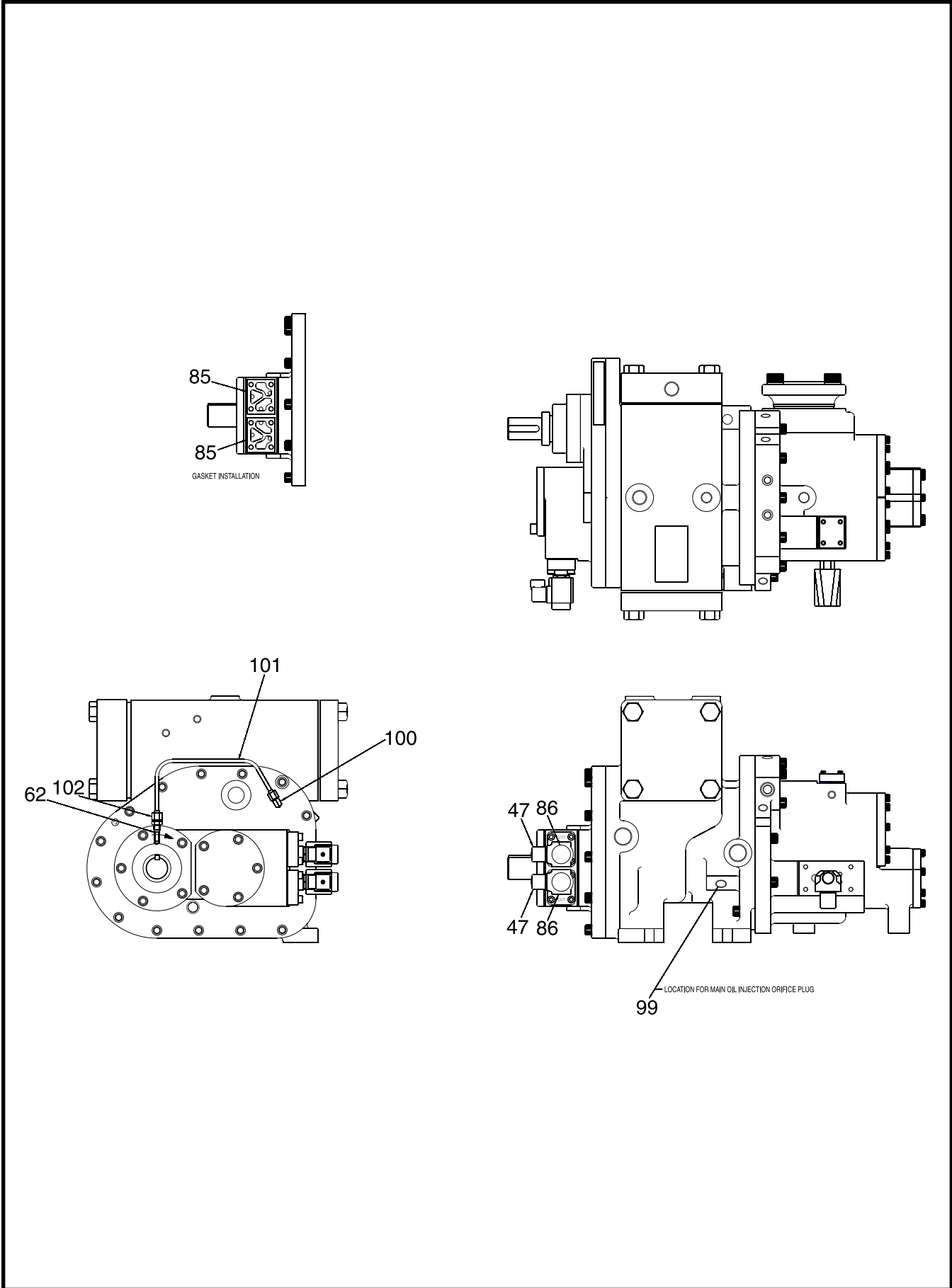


Figure 2c. XJS 120 Screw Compressor, Typical.

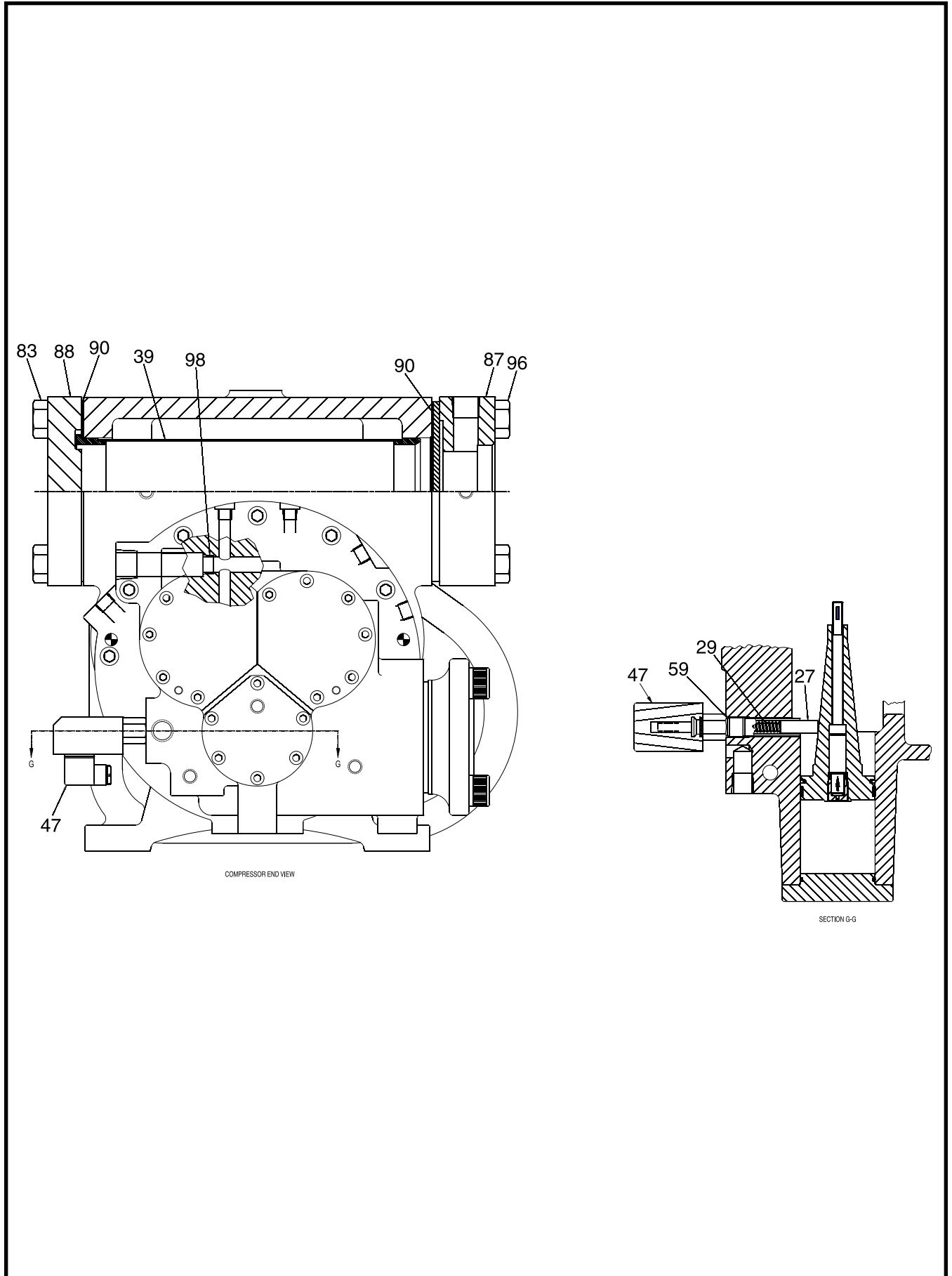


Figure 2d. XJS 120 Screw Compressor, Typical.

FIG. & INDEX	ITEM NUMBER	DESCRIPTION	QTY.	REV.
2-	534E0257	XJS 120S/M/L Screw Compressor, New	Ref.	AG
	534E0257G01	XJS 120S Screw Compressor (3" Suction Flange)	Ref.	
	534E0257G02	XJS 120M Screw Compressor	Ref.	
	534E0257G03	XJS 120L Screw Compressor	Ref.	
	534E0257G04	XJS 120S Screw Compressor (4" Suction Flange)	Ref.	
	534E0558	XJS 120S/M/L Screw Compressor, Handwheel, New (See also Fig. 3)	Ref.	U
-1	534E0194C01	Casing, Discharge, XJS 120	1	
-2	534C0471C01	Sleeve, Male Distance, XJS 120	1	
-3	534C0472C01	Sleeve, Female Distance, XJS 120	1	
-4	534D0322C01	Valve, Slide, XJS 120	1	
-5	534D0324C01	Stop, Slide, XJS 120	1	
-6	534D1689C01	Housing, Seal, XJS 120 ▲	1	
-7	534C0378C01	Cover, Outlet Bore, XJS 120	1	
-8	534C0378C02	Cover, Outlet Bore, XJS 120	1	
-9	534C0375C01	Cover, Slide Stop, XJS 120	1	
-10	534C0381C01	Cover, Cylinder, XJS 120	1	
-11	534D0326H01	Piston, Slide Stop, XJS 120	1	
-12	534D0325C01	Piston, Stepper, XJS 120	1	
-13	534C0480H01	Piston, Balance, XJS 120	1	
-14	534C0481H01	Sleeve, Balance Piston, XJS 120	1	
-15	534D1516H01	Piston, Slide Valve, XJS 120 ★	1	
-16	534A0145H01	Spacer, Bearing, XJS 120 ▲	1	
-17	534B0233H01	Spacer, Bearing, XJS 120	1	
-18	534A0231H01	Spacer, Bearing, XJS 120 ▲	1	
-19	534A0658G02	Rotor Pair, XJS 120	1	
-20	534C0611H01	Jackshaft, XJS 120 ▲	1	
-21	534C0445C01	Seal, Gas, XJS 120 ◆	2	
-22	534C0373H01	Bushing, Female Inlet, XJS 120 ◆	1	
	534C0377H01	Bushing, Male Inlet XJS 120 ◆	1	
-23	534B0199H01	Key, XJS 120	1	
-24	534C2011H01	Shaft Seal, XJS 120 ●	1	
-25	534B0182H06	Collar, Clamp, XJS 120 ●	1	
-26	534A0147G01	Set, Gear, 66:31 Ratio, XJS 120 ▲	1	
	534A0147G02	Set, Gear, 60:37 Ratio, XJS 120 ▲	1	
	534A0147G03	Set, Gear, 55:42 Ratio, XJS 120 ▲	1	
-27	534B0987H01	Rod, Indicator, XJS 120 (Linear Transmitter)	1	
-28	-	not used		
-29	534A0883H01	Spring, Indicator Rod (Linear Transmitter)	1	
-30	534A0835H01	Spring, Unloader	2	
-31	534C0479H12	Spring, Wave, XJS 120 ◆◆	1	
-32	534C0479H03	Spring, Wave, XJS 120	2	
-33	534A0219H01	Spring, Compression, XJS 120	9	
-34	534A0038H06	Pin, Spring, .125 x .375"	4	
-35	534A0038H02	Pin, Spring, .187 x .625"	2	
-36	534A0037H12	Pin, Dowel	2	
-37	534B0149H02	Pin, Dowel	1	
-38	534B0193H01	Pin, Dowel	1	
-39	534C0408G01	Assembly, Suction Strainer, XJS 120	1	
-40	534B0004H17	Bearing, Roller, XJS 120 ◆	2	
-41	534B0004H13	Bearing, Roller, Female Rotor, XJS 120 ◆	1	
	534B0004H15	Bearing, Roller, Male Rotor, XJS 120 ◆	1	
-42	534B0004H14	Bearing, Roller, XJS 120 ▲	1	
-43	534B0004H22	Bearing, Roller, XJS 120 ▲	1	
-44	534B0101H07	Bearing, Four-Point Contact Ball, XJS 120 ◆◆	1	
-45	534B0101H24	Bearing, Four-Point Contact Ball, XJS 120 ▲	1	
-46	534C0478H10	Bearing, Angular Contact Ball, XJS 120 ◆◆	4	
-47	534C1552H01	Transmitter, Linear, w/well	1	
	534C1552H02	Transmitter, Linear, less well	1	
	649A0890H02	DIN Connector	3	
	649A0890H11	Gasket, DIN Connector	3	
-48	980A0012A93	O-ring, XJS 120 ■	2	

FIG. & INDEX	ITEM NUMBER	DESCRIPTION	QTY.	REV.
-49	980A0012A94	O-ring, XJS 120 ■ ★	4	
-50	980A0012A95	O-ring, XJS 120 ■	1	
-51	980A0012A97	O-ring, XJS 120 ■ ★	1	
-52	980A0012A94	O-ring, XJS 120 ■ ●	1	
-53	980A0012A98	O-ring, XJS 120 ■	1	
-54	980A0012B03	O-ring, XJS 120 ■	2	
-55	980A0012B03	O-ring, XJS 120 ■	2	
-56	980A0012B02	O-ring, XJS 120 ■	1	
-57	980A0012B72	O-ring, XJS 120 ■ ●	1	
-58	980A0012B35	O-ring ■ ★	1	
-59	980A0012K62	O-ring ■	1	
-60	980A0012H05	O-ring, XJS 120 ■	1	
-61	980A0012H10	O-ring, XJS 120 ■ ▲	1	
-62	534A0342H01	Strainer ●	1	
-63	534C0187H08	Glyd Ring®, XJS 120 ■ ★	4	
-64	534C0187H09	Glyd Ring®, XJS 120 ■	1	
-65	534B0079H04	Slydring®, XJS 120 ■ ★	1	
-66	not used			
-67	534B0174H02	Ring, Retaining, Male Rotor, XJS 120	1	
-68	534B0174H02	Ring, Retaining, Female Rotor, XJS 95, XJS 120	1	
-69	534B0174H04	Ring, Retaining, XJS 120 ▲	1	
-70	534B0014H18	Ring, Retaining, XJS 120 ▲	1	
-71	534C2010H01	Ring, Seal Seat Back-up, XJS 120 ●	1	
-72	534E0143C01	Casing, Rotor, XJS 120*	1	
	534E0155C01	Cover, Gear, XJS 120*	1	
-73	534B0909H01	Locknut w/nylon insert, XJS 120 ◆	2	
-74	not used			
-75	534A0341H01	Washer, Check Valve Retainer ★	1	
-76	534A0173H01	Valve, Internal Check ★	1	
-77	534C0431H01	Retainer, Check Valve ★	1	
-78	901A0085H19	Capscrew, Socket Head, (M8x1.25) x 30mm, XJS 120	26	
-79	111Q0740838	Capscrew, Socket Head, (M12x1.75) x 65, XJS 120	5	
-80	111Q0740739	Capscrew, Socket Head, (M12x1.75) x 45mm, XJS 120	32	
-81	534A0343H01	Capscrew, Socket Head, (M10x1.5) x 120mm ★	1	
-82	111Q0740741	Capscrew, Socket Head, (M20x2.5) x 60mm, XJS 120	4	
-83	111Q0740781	Capscrew, Socket Head, (M22x2.5) x 60mm, XJS 120 Blank	4	
-84	951A0115H10	Valve, Solenoid	2	
-85	534C1972H01	Gasket, Solenoid Valve ■	2	
-86	950A0293H02	Coil, Solenoid, 115VAC	2	
-87	534C1870H01	Assembly, Suction Flange, 3", XJS 120	1	
	535C1874H01	Assembly, Suction Flange, 4", XJS 120	1	
-88	534D0341C01	Flange, Blank, XJS 120	1	
-89	959A0057H18	Gasket, Flange, XJS 120 ■	1	
-90	959A0054H10	Gasket, Flange, XJS 120 ■	2	
-91	944A0296H06	Flange, Socket Weld, 3", XJS 120	1	
-92	534B0930H01	Support, Spring	1	
-93	534C0486H04	Shim, Female Discharge Bearings, XJS 120 ◆◆	1	
-94	not used			
-95	534C0486H09	Shim, .005, XJS 120	2	
	534C0486H10	Shim, .010, XJS 120	1	
-96	901A0192H07	Capscrew, Socket Head, (M22x2.5) x 80mm, XJS 120 Suction	4	
-97	534A0932H01	Washer Set, Spherical	1	
-98	534C0194H16	Plug, Orifice, 3/8-18 NPTF w/.062" orifice, XJS 120	1	
-99	534C0194H04	Plug, Orifice, 1/4-18 NPTF w/.196" orifice, XJS 120S/M/L	1	
	534C0194H02	Plug, Orifice, 1/4-18 NPTF w/.218" orifice, XJS 120S	1	
-100	944A0113H01	Elbow, 1/4 ODF x 1/8 MPT	1	
-101	111Q0880452	Tubing, SS	2 ft.	
-102	944A0116H01	Connector, 1/4 ODT x 1/8 MPT	1	
-103	534B0274H01	Pin, Dowel, Tapered	2	
-104	534B1121H01	Seal, Lip, XJS 120	1	

* Rotor casing and gear cover ordered as a set

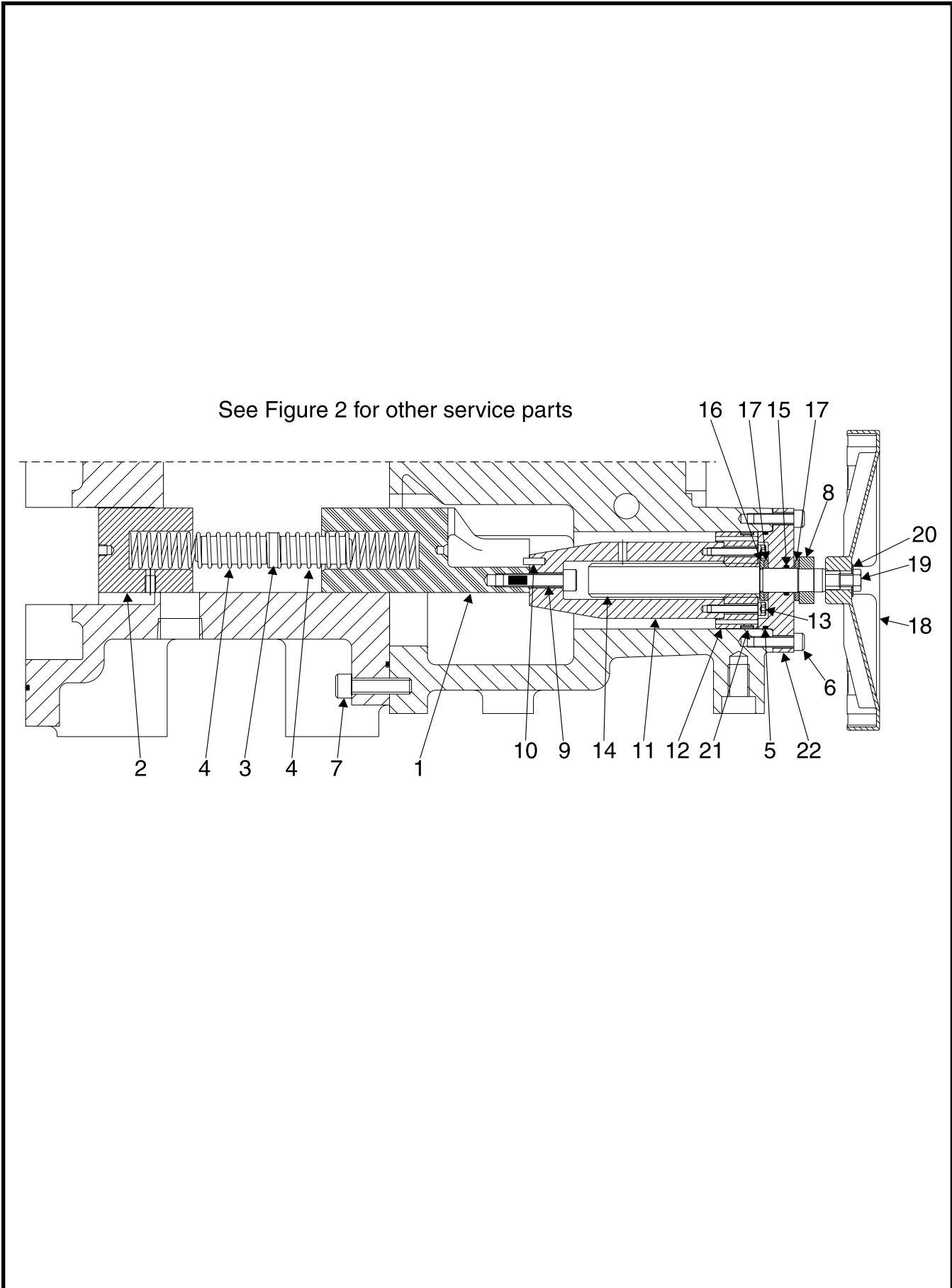


Figure 3. XJS 120 Slide Valve Stop Assembly, Handwheel, Typical.

FIG. & INDEX	ITEM NUMBER	DESCRIPTION	QTY.	REV.
3-	534E0558	XJS 120 S/M/L Screw Compressor, Handwheel, New	Ref.	U
	534E0558G01	XJS 120S Screw Compressor Handwheel	Ref.	
	534E0558G02	XJS 120M Screw Compressor Handwheel	Ref.	
	534E0558G03	XJS 120L Screw Compressor Handwheel	Ref.	
-1	534D0322C01	Valve, Slide	1	
-2	534D0324C01	Stop, Slide	1	
-3	534B0930H01	Support, Spring	1	
-4	534A0835H01	Spring, Unloader	2	
-5	980A0012A97	O-ring* ■	1	
-6	901A0085H19	Capscrew, Socket Head, (M8x1.25) x 30mm	26	
-7	111Q0740739	Capscrew, Socket Head, (M12x1.75) x 45mm	32	
-8	534B0182H04	Collar, Clamp*	1	
-9	534A0725H01	Capscrew, Socket Head, w/nylon insert, (M10x1.5) x 45mm*	1	
-10	534A0037H03	Pin, Dowel*	1	
-11	534B0672H01	Spindle*	1	
-12	534B0673H01	Piston*	1	
-13	333Q0000584	Capscrew, Socket Head, (M6x1.0) x 35mm*	4	
-14	534B0671H01	Screw, Acme*	1	
-15	980A0012A65	O-Ring* ■	1	
-16	534A0726H01	Washer, Steel*	1	
-17	534A0727H01	Washer, Brass*	2	
-18	581B0001H03	Wheel, Hand*	1	
-19	111Q0110110	Capscrew, Hex Head, 3/8-10 x 3/4" *	1	
-20	581A0011H07	Washer, Spring*	1	
-21	534B0079H04	Slydring®* ■	1	
-22	534B0674H01	Cover, Cylinder*	1	
	*534E0661G01	Kit, Retrofit, XJS 120 Handwheel ⁽¹⁾	1	

(1) To update XJS120 Manual Adjustment Compressors manufactured prior to 6/98. For visual identification: Retrofit Kit is needed if your compressor does not have a handwheel as pictured.

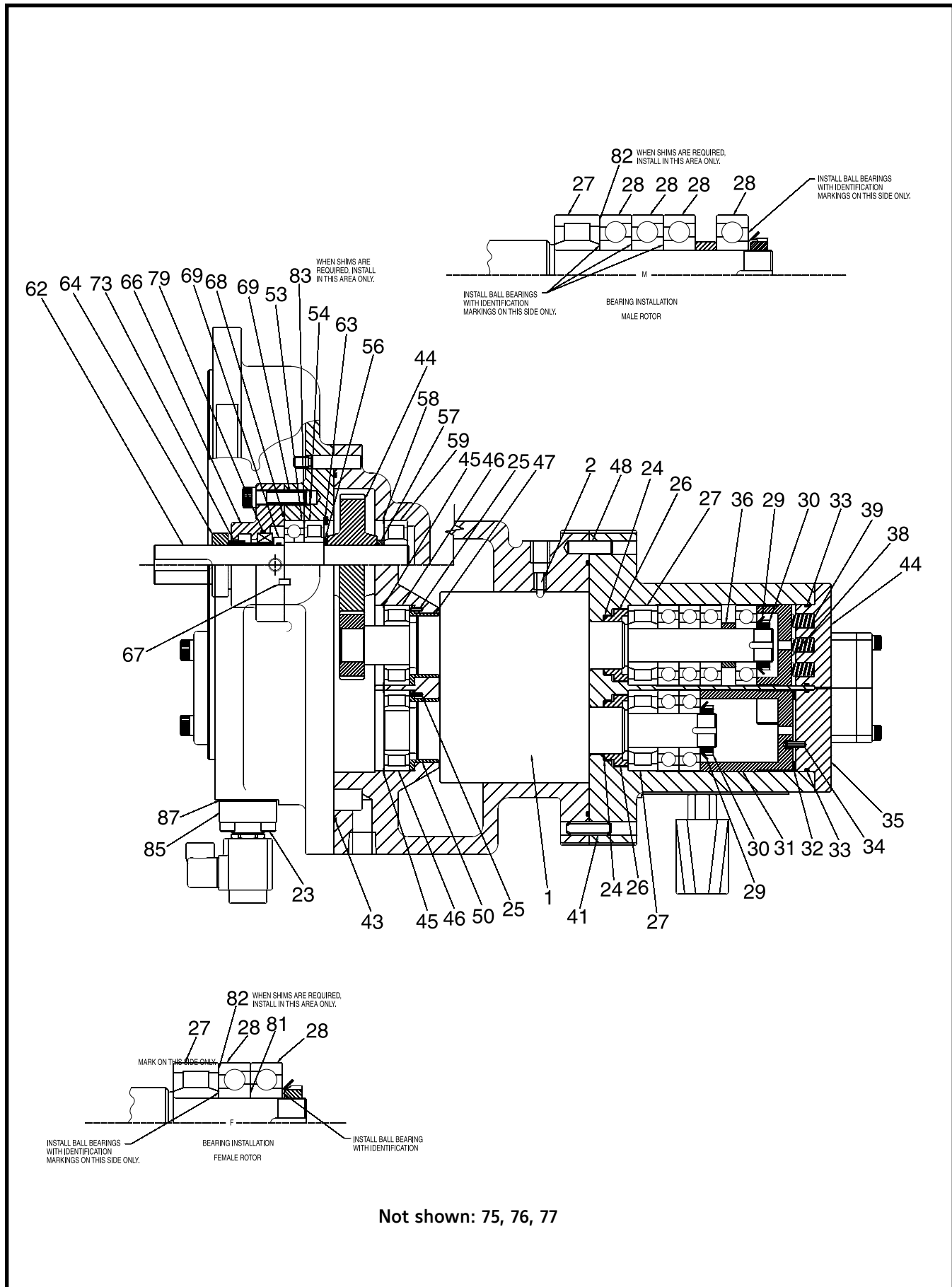


Figure 4a. XJF 95 Screw Compressor, Typical.

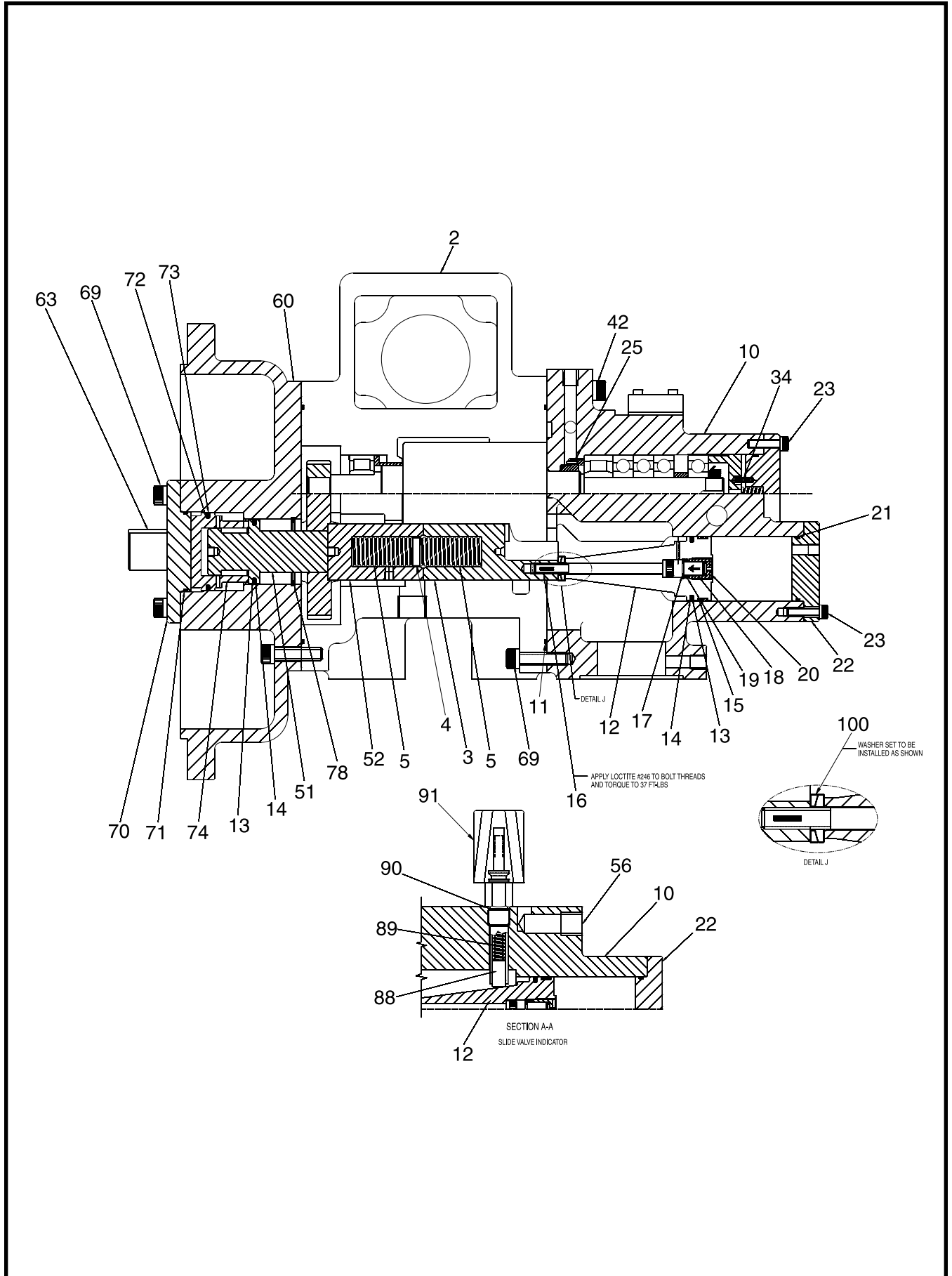


Figure 4b. XJF 95 Screw Compressor, Typical.

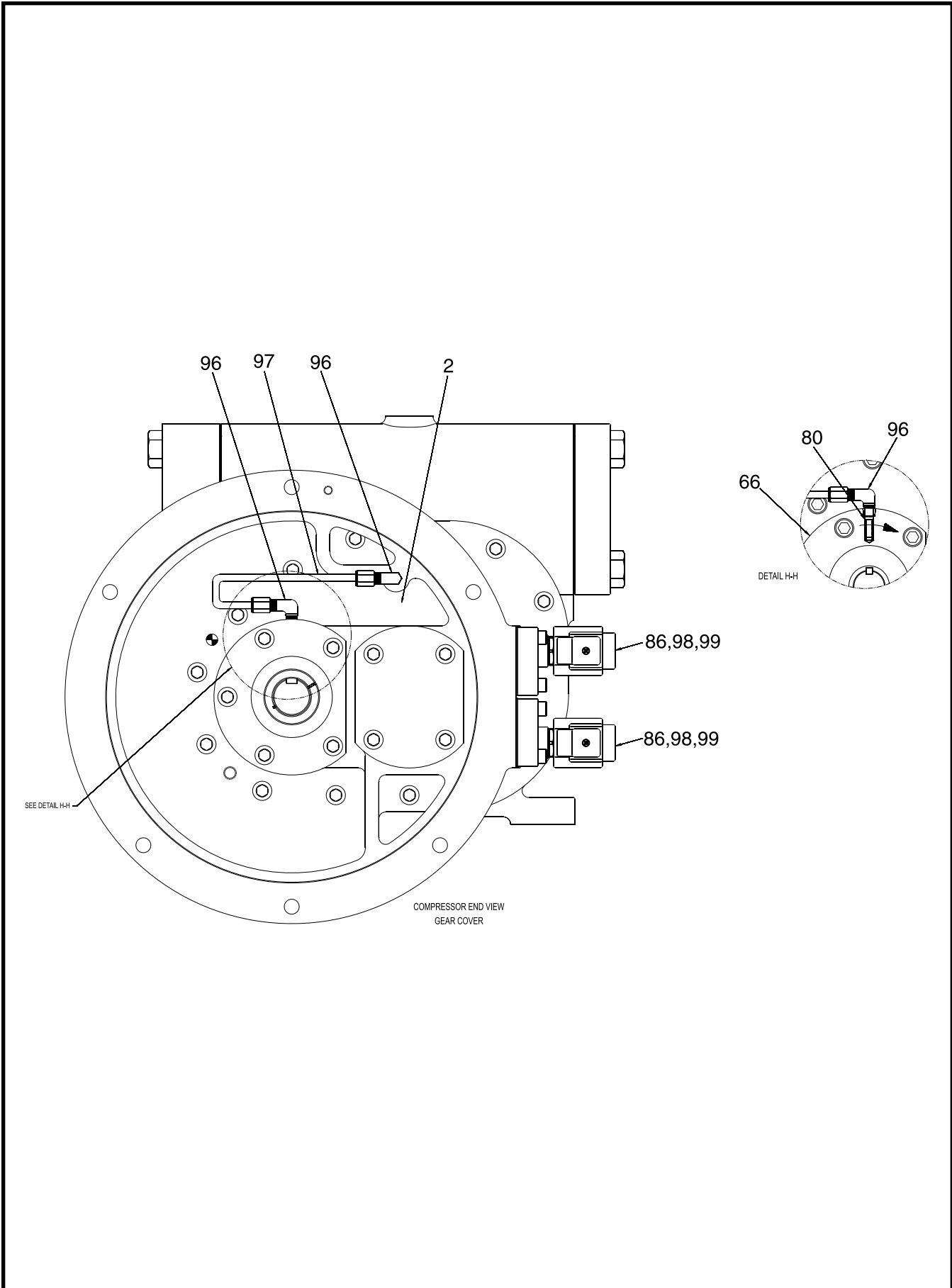


Figure 4a. XJF 95 Screw Compressor, Typical.

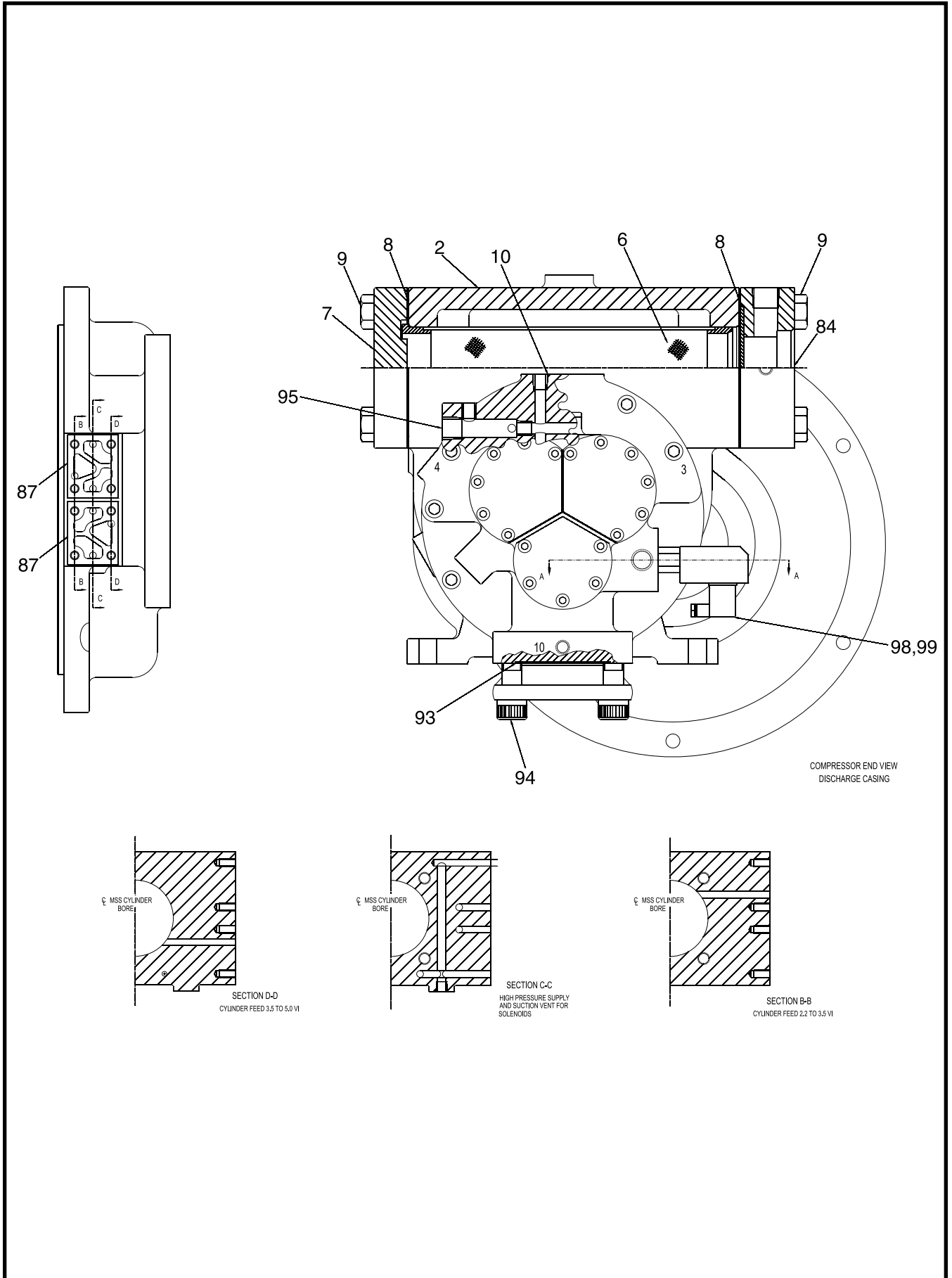


Figure 4b. XJF 95 Screw Compressor, Typical.

FIG. & INDEX	ITEM NUMBER	DESCRIPTION	QTY.	REV.
4-	534E0452	XJF 95S/M/L Screw Compressor, New	Ref.	T
	534E0452G01	XJF 95S Screw Compressor	Ref.	
	534E0452G02	XJF 95M Screw Compressor	Ref.	
	534E0452G03	XJF 95L Screw Compressor	Ref.	
-1	534A0195G01	Rotor Pair, XJF 95	1	
-2	534D0860G01	Casing, Rotor*, XJF 95	1	
	534C0194H07	Plug, Pipe, 1/4-18 NPTF w/.136" orifice	1	
-3	534D0342C01	Valve, Slide, XJF 95	1	
-4	534B0930H01	Support, Spring	1	
-5	534A0835H01	Spring, Unloader	2	
-6	534C0428G01	Assembly, Suction Strainer, XJF 95	1	
-7	534D0349C01	Flange, Blank, XJF 95	1	
-8	959A0066H12	Gasket, Flange, XJF 95 ■	2	
-9	111Q0740840	Capscrew, Socket Head, (M20x2.5) x 90mm, XJF 95 Suction	4	
	111Q0740748	Capscrew, Socket Head, (M20x2.5) x 65mm, XJF 95 Blank	4	
-10	534E0446C01	Casing, Discharge, XJF 95	1	
-11	980A0012B99	O-ring, XJF 95 ■	1	
-12	534D1518H01	Piston, Slide Valve, XJF 95 ★	1	
-13	980A0012A86	O-ring, XJF 95 ■ ★	2	
-14	534C0187H10	Glyd Ring®, XJF 95 ■ ★	2	
-15	534B0079H03	Slydring®, XJF 95 ■ ★	1	
-16	534A0343H01	Capscrew, Socket Head, (M10x1.5) x 120mm	1	
-17	534A0341H01	Washer, Check Valve Retainer	1	
-18	534A0173H01	Valve, Internal Check	1	
-19	980A0012B35	O-ring ■ ★	1	
-20	534C0431H01	Retainer, Check Valve	1	
-21	980A0012A89	O-ring, XJF 95 ■ ★	1	
-22	534C0424C01	Cover, Cylinder, XJF 95	1	
-23	901A0085H19	Capscrew, Socket Head, (M8x1.25) x 30mm, XJF 95	25	
-24	980A0012A85	O-ring, XJF 95 ■	2	
-25	534A0038H06	Pin, Spring, .125 x .375"	4	
-26	534C0446C01	Seal, Gas, XJF 95 ◆	2	
-27	534B0004H18	Bearing, Roller, XJF 95 ◆	2	
-28	534C0478H11	Bearing, Angular Contact Ball, XJF 95 ◆◆	6	
-29	534B0125H12	Lockwasher, XJF 95 ◆	2	
-30	534A0035H12	Locknut, XJF 95 ◆	2	
-31	534C0474C01	Sleeve, Female Distance, XJF 95	1	
-32	534C0479H11	Spring, Wave, XJF 95 ◆◆	1	
-33	980A0012A97	O-ring, XJF 95 ■	2	
-34	534A0038H02	Pin, Spring	2	
-35	534C0419C02	Cover, Female Outlet Bore, XJF 95	1	
-36	534B0483H01	Spacer, Bearing, XJF 95	1	
-37	-	not used		
-38	534C0473C01	Sleeve, Male Distance, XJF 95	1	
-39	534A0219H01	Spring, Compression, XJF 95	7	
-40	534C0419C01	Cover, Male Outlet Bore, XJF 95	1	
-41	534B0193H01	Pin, Dowel, Special	1	
-42	901A0085H10	Capscrew, Socket Head, (M12x1.75) x 60, XJF 95	6	
-43	980A0012H06	O-ring, XJF 95 ■ ▲	1	
-44	534A0157G01	Set, Gear, 66:31 Ratio, XJF 95S ▲	1	
	534A0157G03	Set, Gear, 55:42 Ratio, XJF 95M ▲	1	
	534A0157G02	Set, Gear, 60:37 Ratio, XJF 95L ▲	1	
-45	534B0174H02	Ring, Retaining, XJF 95	2	
-46	534B0004H13	Bearing, Roller, XJF 95 ◆	2	
-47	534C0426H01	Bushing, Male Inlet, XJF 95 ◆	1	
-48	-	not used		
-49	-	not used		
-50	534C0426H01	Bushing, Female Inlet, XJF 95 ◆	1	
-51	534D0344H01	Piston, Slide Stop, XJF 95	1	
-52	534C0415C01	Stop, Slide, XJF 95	1	

* Rotor Casing and Gear Cover is ordered as a set.

FIG. & INDEX	ITEM NUMBER	DESCRIPTION	QTY.	REV.
-53	534B0101H23	Bearing, Four-Point Angular Contact, XJF 95 ▲	1	
-54	534B0004H21	Bearing, Roller, XJF 95 ▲	1	
-55	534B0014H17	Ring, Retaining, XJF 95 ▲	1	
-56	534A0230H01	Spacer, Bearing, XJF 95 ▲	1	
-57	534A0167H01	Spacer, Bearing, XJF 95 ▲	1	
-58	534B0174H06	Ring, Retaining, XJF 95 ▲	1	
-59	534B0004H16	Bearing, Roller, XJF 95 ▲	1	
-60	534D0860G01	Cover, Gear*, XJF 95	1	
-61	901A0085H09	Capscrew, Socket Head, (M12x1.75) x 45mm, XJF 95	16	
-62	534C0612H01	Jackshaft, XJF 95 ▲	1	
-63	534B0208H01	Key, Jackshaft, XJF 95	1	
-64	534B0182H02	Collar, Clamp, XJF 95 ●	1	
-65	534B0302H01	Ring, Seal Seat Backup, XJF 95 ●	1	
-66	534C0614C01	Housing, Seal, XJF 95	1	
-67	534A0037H12	Pin, Dowel	2	
-68	980A0012B04	O-ring, XJF 95 ●■	1	
-69	534B0731H01	Shaft Seal, XJF 95 ●	1	
-70	534C0423C01	Cover, Slide Stop, XJF 95	1	
-71	980A0012A98	O-ring, XJF 95 ■	1	
-72	980A0012A94	O-ring, XJF 95 ■	1	
-73	534C0187H08	Glyd Ring®, XJF 95 ■	1	
-74	534C1044H01	Piston, Stepper, XJF 95	1	
-75	534E0437C01	Support, Motor, XJF 95	1	
-76	534C1011H01	Plate, Cover, Motor Support, XJF 95	2	
-77	901A0085H04	Capscrew, Socket Head, Cover Plate (M8 x 20mm) XJF 95	12	
	333Q0000738	Washer, Flat, XJF 95	12	
	534A0506H01	Grommet, XJF 95	12	
-78	534B0174H10	Ring, Retaining	1	
-79	980A0012A90	O-ring, XJF 95 ●■	1	
-80	534A0342H01	Strainer ●	1	
-81	534C0486H08	Shim, Female Bearing Installation, XJF 95 ◆	1	
-82	333Q0000703	Shim Pack, XJF 95 (As Required)	2	
-83	333Q0000717	Shim Pack, XJF 95 (As Required)	1	
-84	534C1868H01	Assembly, Suction Flange, 2-1/2", XJF 95	1	
	534C1872H01	Assembly, Suction Flange, 3", XJF 95	1	
-85	951A0115H10	Valve, Solenoid	2	
-86	950A0293H02	Coil, Solenoid, 120VAC	2	
-87	534C1972H01	Gasket, Solenoid Valve, XJF 95 ■	2	
-88	534B0986H01	Rod, Indicator, XJS 95 (Linear Transmitter)	1	
-89	534A0883H01	Spring, Compression	1	
-90	980A0012K62	O-ring ■	1	
-91	534C1552H01	Transmitter, Linear, w/well	1	
	534C1552H02	Transmitter, Linear, less well	1	
-92	580D0071H24	Flange, Socket Weld, 2-1/2", XJF 95	1	
-93	959A0057H06	Gasket, Flange, XJF 95 ■	1	
-94	111Q0740772	Capscrew, Socket Head, M20 x 75mm	4	
-95	534C0194H08	Plug, Pipe, 1/4-18 NPTF w/.062" orifice, XJF 95	1	
-96	944A0113H01	Elbow, 1/4 ODF x 1/8" MPT	2	
-97	534B0484H01	Tube, Shaft Seal Oil Feed	1	
-98	649A0890H02	Connector, DIN	3	
-99	649A0890H11	Gasket, DIN Connector	3	
-100	534A0932H01	Set, Spherical Washer	1	

* Rotor Casing and Gear Cover is ordered as a set.

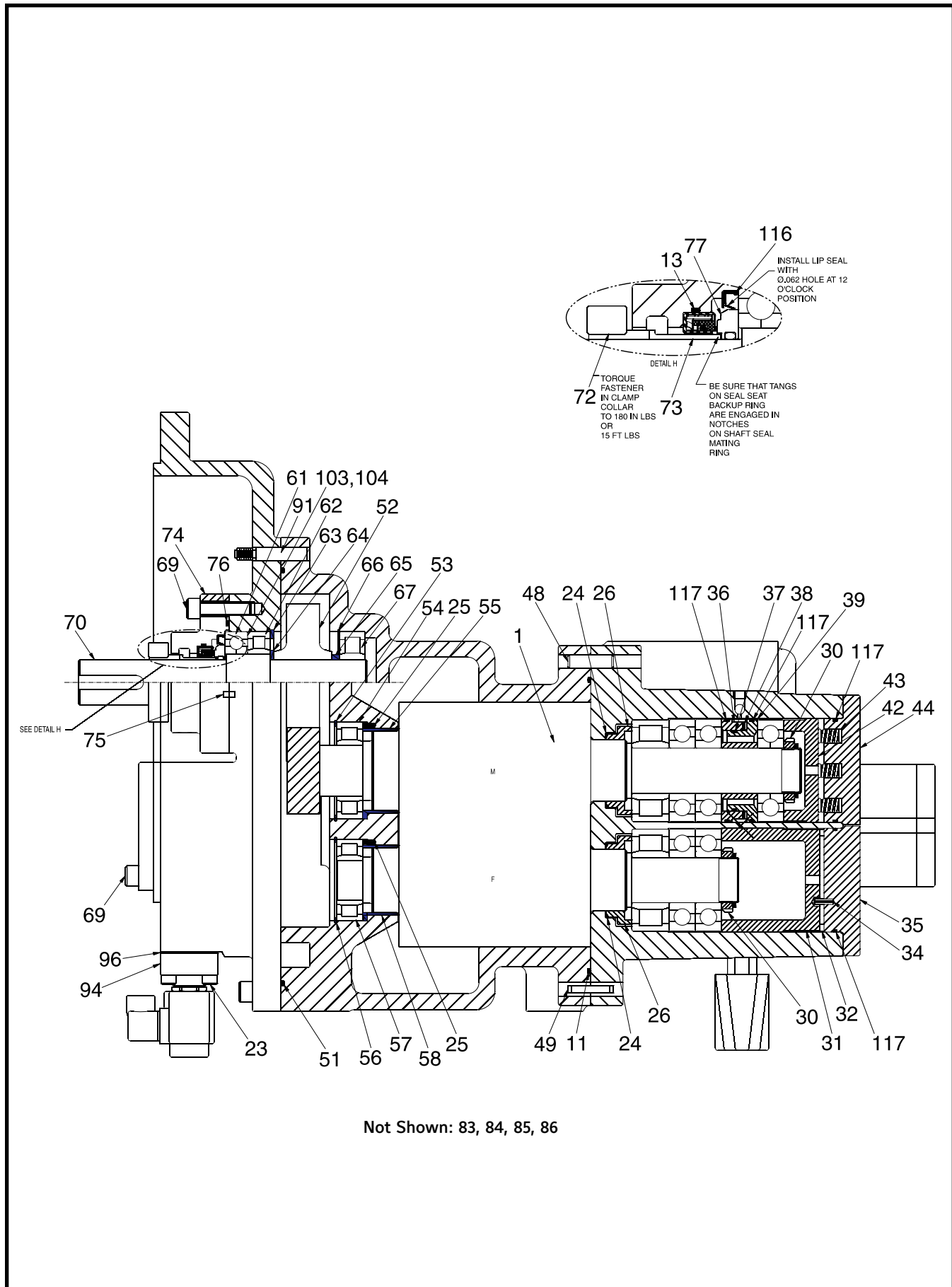


Figure 5a. XJF 120 Screw Compressor, Typical.

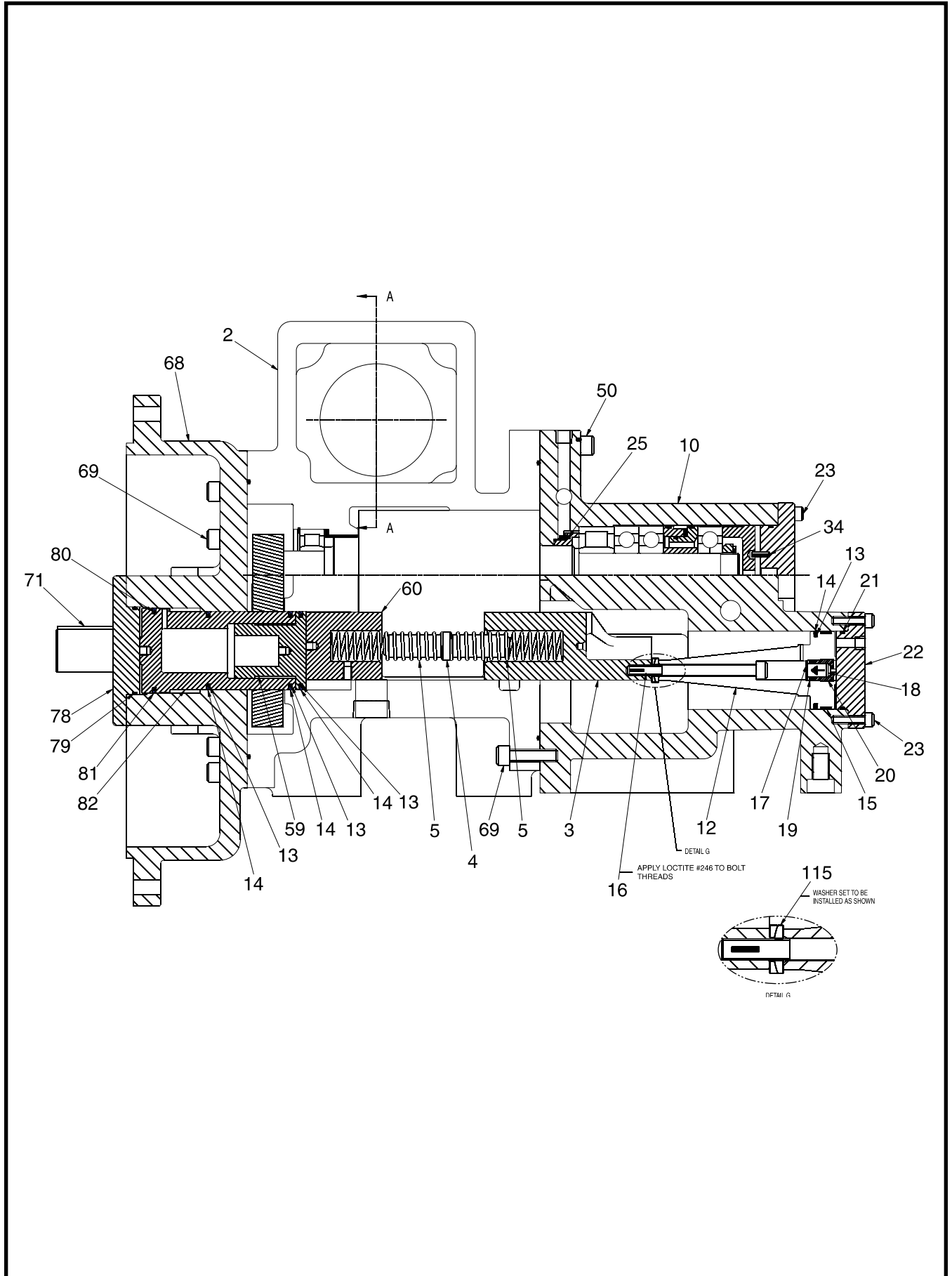


Figure 5b. XJF 120 Screw Compressor, Typical.

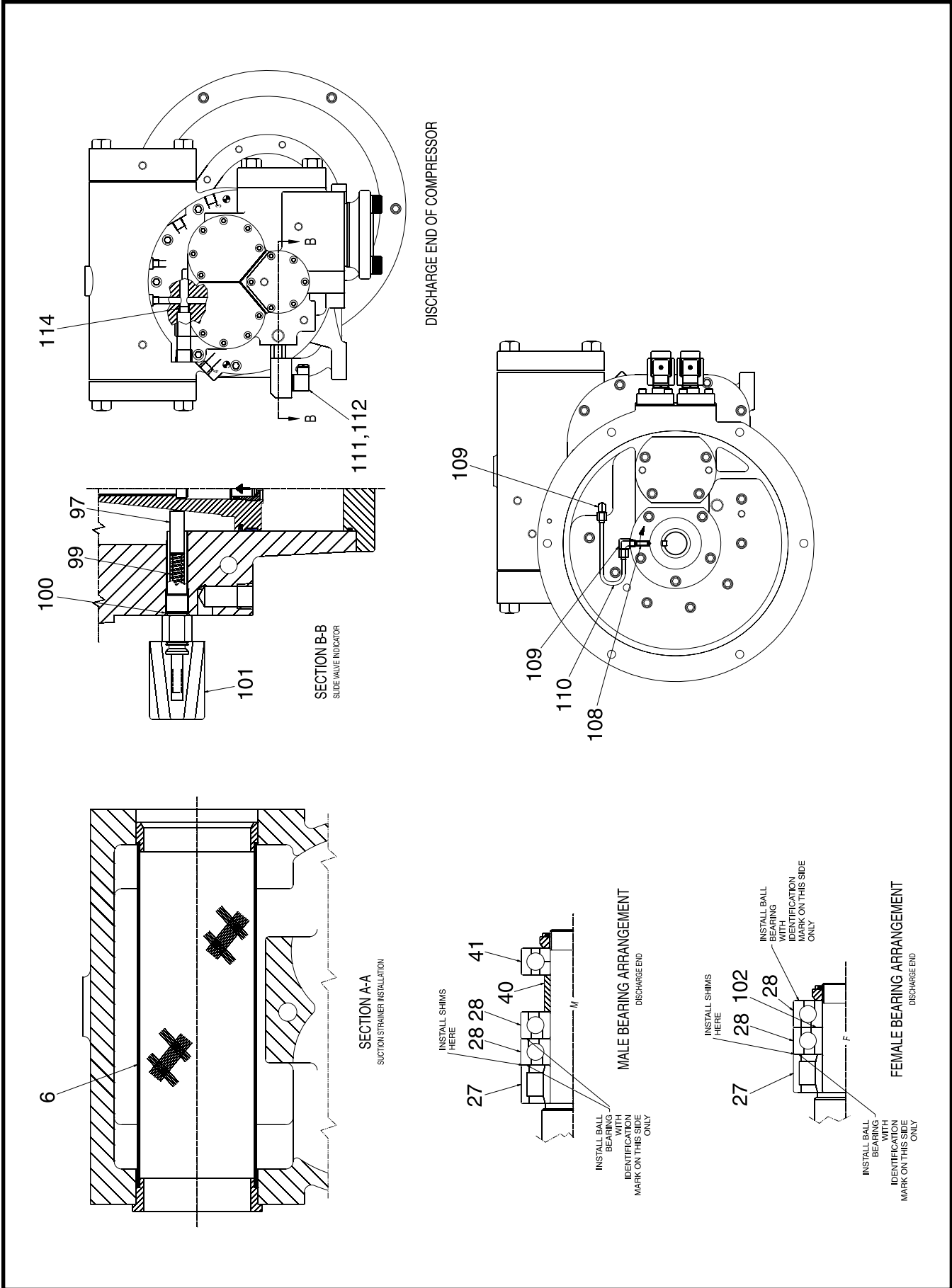


Figure 5c. XJF 120 Screw Compressor, Typical.

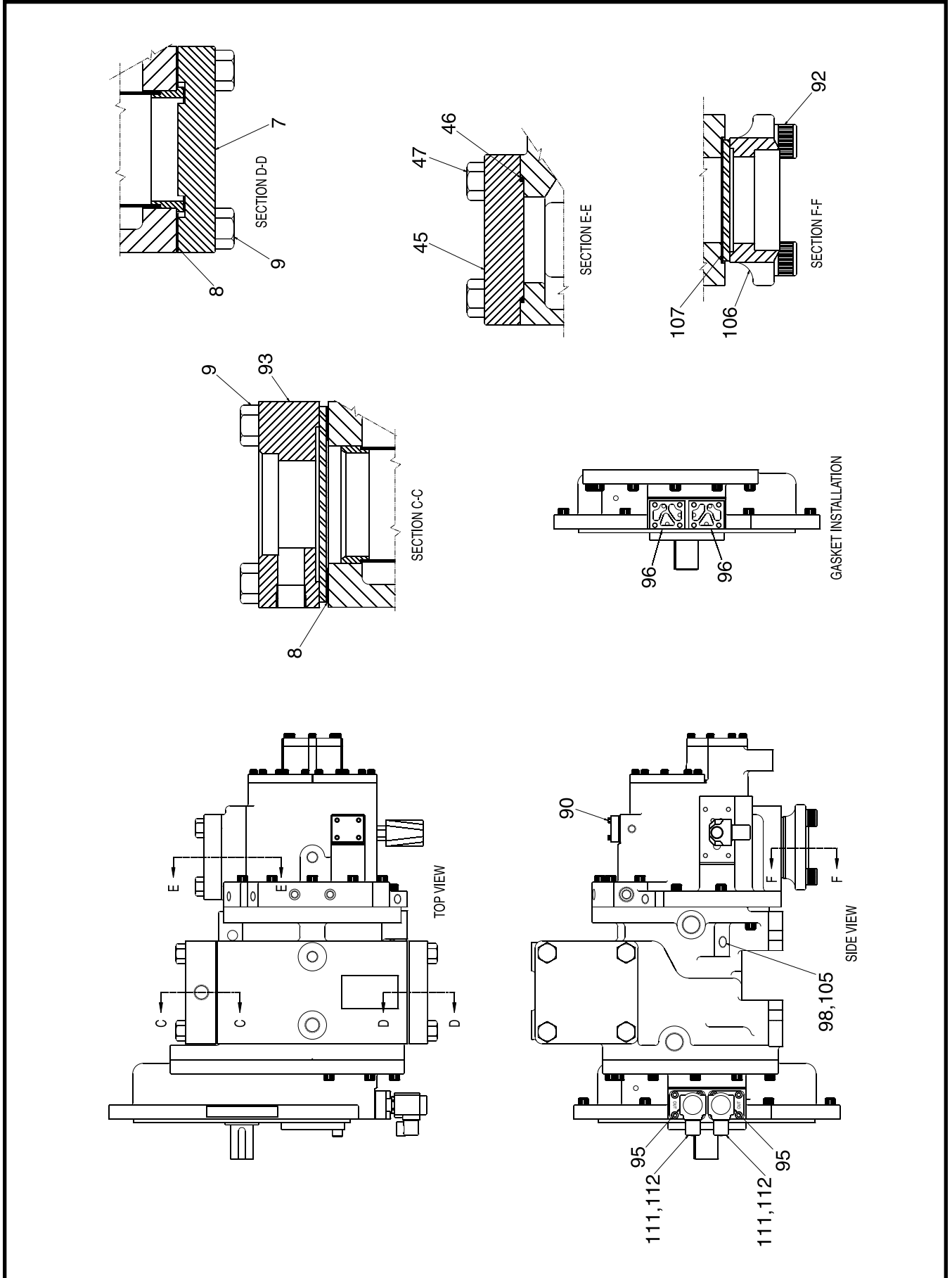


Figure 5d. XJF 120 Screw Compressor, Typical.

FIG. & INDEX	ITEM NUMBER	DESCRIPTION	QTY.	REV.
5-	534E0305	XJF 120S/M/L Screw Compressor, New	Ref.	AD
	534E0305G01	XJF 120S Screw Compressor	Ref.	
	534E0305G02	XJF 120M Screw Compressor	Ref.	
	534E0305G03	XJF 120L Screw Compressor	Ref.	
-1	534A0658G01	Rotor Pair, XJF 120	1	
-2	534E0143C01	Casing, Rotor*, XJF 120	1	
-3	534D0322C01	Valve, Slide, XJF 120	1	
-4	534B0930H01	Support, Spring	1	
-5	534A0835H01	Spring, Unloader	2	
-6	534C0408G01	Assembly, Suction Strainer, XJF 120	1	
-7	534D0341C01	Flange, Blank, XJF 120	1	
-8	959A0054H10	Gasket, Flange, XJF 120 ■	2	
-9	901A0192H07	Capscrew, Socket Head, (M22x2.5) x 80mm, XJF 120 Suction	4	
	111Q0740781	Capscrew, Socket Head, (M22x2.5) x 60mm, XJF 120 Blank	4	
-10	534E0307C01	Casing, Discharge, XJF 120	1	
-11	980A0012H05	O-ring, XJF 120 ■	1	
-12	534D1516H01	Piston, Slide Valve, XJF 120 ★	1	
-13	980A0012A94	O-ring, XJF 120 ■ ★	5	
-14	534C0187H08	Glyd Ring®, XJF 120 ■ ★	4	
-15	534B0079H04	Slydring®, XJF 120 ■ ★	1	
-16	534A0343H01	Capscrew, Socket Head, (M10x1.5) x 120mm	1	
-17	534A0341H01	Washer, Check Valve Retainer	1	
-18	534A0173H01	Valve, Internal Check	1	
-19	980A0012B35	O-ring ■ ★	1	
-20	534C0431H01	Retainer, Check Valve	1	
-21	980A0012A97	O-ring, XJF 120 ■ ★	1	
-22	534C0381C01	Cover, Cylinder, XJF 120	1	
-23	901A0085H19	Capscrew, Socket Head, (M8x1.25) x 30mm, XJF 120	26	
-24	980A0012A93	O-ring, XJF 120 ■	2	
-25	534A0038H06	Pin, Spring, .125 x .375"	4	
-26	534C0445C01	Seal, Gas, XJF 120 ◆	2	
-27	534B0004H17	Bearing, Roller, XJF 120 ◆	2	
-28	534C0478H10	Bearing, Angular Contact Ball, XJF 120 ◆◆	4	
-29	-	not used		
-30	534B0909H01	Locknut w/nylon insert, XJF 120 ◆	2	
-31	534C0472C01	Sleeve, Female Distance, XJF 120	1	
-32	534C0479H12	Spring, Wave, XJF 120 ◆◆	1	
-33	-	not used		
-34	534A0038H02	Pin, Spring	2	
-35	534C0378C02	Cover, Female Outlet Bore, XJF 120	1	
-36	534C0481H01	Sleeve, Balance Piston, XJF 120	1	
-37	980A0012A95	O-ring, XJF 120 ■	1	
-38	534C0479H03	Spring, Wave, XJF 120	2	
-39	534C0480H01	Piston, Balance, XJF 120	1	
-40	534B0233H01	Spacer, Bearing, XJF 120	1	
-41	534B0101H07	Bearing, Four-Point Contact Ball, XJF 120 ◆	1	
-42	534C0471C01	Sleeve, Male Distance, XJF 120	1	
-43	534A0219H01	Spring, Compression, XJF 120	9	
-44	534C0378C01	Cover, Male Outlet Bore, XJF 120	1	
-45	534C0703C01	Flange, Discharge Blank, XJF 120	1	
-46	980A0012B74	O-ring, XJF 120 ■	1	
-47	111Q0740792	Capscrew, Hex Head, (M20x2.5) x 60mm, XJF 120	4	
-48	534B0149H02	Pin, Dowel, XJF 120	1	
-49	534B0193H01	Pin, Dowel, XJF 120	1	
-50	111Q0740838	Capscrew, Socket Head, (M12x1.75) x 65, XJF 120	5	
-51	980A0012H10	O-ring, XJF 120 ■	1	
-52	534A0147G01	Set, Gear, 66:31 Ratio, XJF 120S ▲	1	
	534A0147G03	Set, Gear, 55:42 Ratio, XJF 120M ▲	1	
	534A0147G02	Set, Gear, 60:37 Ratio, XJF 120L ▲	1	
-53	534B0174H03	Ring, Retaining, XJF 120	1	
-54	534B0004H15	Bearing, Roller, XJF 120 ◆	1	
-55	534C0377H01	Bushing, Male Inlet, XJF 120 ◆	1	
-56	534B0174H02	Ring, Retaining	1	
-57	534B0004H13	Bearing, Roller ◆	1	

* Rotor Casing and Gear Cover is ordered as a set.

FIG. & INDEX	ITEM NUMBER	DESCRIPTION	QTY.	REV.
-58	534C0373H01	Bushing, Female Inlet, XJF 120 ◆	1	
-59	534D0326H01	Piston, Slide Stop, XJF 120	1	
-60	534D0324C01	Stop, Slide, XJF 120	1	
-61	534B0101H24	Bearing, Four-Point Angular Contact, XJF 120 ▲	1	
-62	534B0004H22	Bearing, Roller, XJF 120 ▲	1	
-63	534B0014H18	Ring, Retaining, XJF 120 ▲	1	
-64	534A0231H01	Spacer, Bearing, XJF 120 ▲	1	
-65	534A0145H01	Spacer, Bearing, XJF 120 ▲	1	
-66	534B0174H04	Ring, Retaining, XJF 120 ▲	1	
-67	534B0004H14	Bearing, Roller, XJF 120 ▲	1	
-68	534E0272C01	Cover, Gear*, XJF 120	1	
-69	111Q0740739	Capscrew, Socket Head, (M12x1.75) x 45mm, XJF 120	31	
-70	534C0611H01	Jackshaft, XJF 120 ▲	1	
-71	534B0199H01	Key, Jackshaft, XJF 120	1	
-72	534B0182H06	Collar, Clamp, XJF 120 ●	1	
-73	534B2010H01	Ring, Seal Seat Backup, XJF 120 ●	1	
-74	534D1689C01	Housing, Seal, XJF 120	1	
-75	534A0037H12	Pin, Dowel	2	
-76	980A0012B72	O-ring, XJF 120 ●■	1	
-77	534C2011H01	Shaft Seal, XJF 120 ●	1	
-78	534C0661C01	Cover, Slide Stop, XJF 120	1	
-79	980A0012B02	O-ring, XJF 120 ■	1	
-80	980A0012A98	O-ring, XJF 120 ■	1	
-81	534C0187H09	Glyd Ring®, XJF 120 ■	1	
-82	534D0325C01	Piston, Stepper, XJF 120	1	
-83	534E0273C01	Support, Motor, XJF 120	1	
-84	534C0660H01	Plate, Cover, Motor Support, XJF 120	2	
-85	534C0709H01	Gasket, Cover Plate, Motor Support, XJF 120	2	
-86	111Q0740740	Capscrew, Socket Head, Cover Plate, M12 x 30mm, XJF 120	12	
-87	534B0174H10	Ring, Retaining	1	
-88	-	not used		
-89	534A0342H01	Strainer ●	1	
-90	999Q0740846	Capscrew, Socket Head, (M5x0.8) x 25mm	4	
-91	534B0274H01	Pin, Dowel, Threaded Taper	2	
-92	111Q0740741	Capscrew, Socket Head, (M20x2.5) x 60mm	4	
-93	535C1870H01	Assembly, Suction Flange, 3", XJF 120S	1	
	535C1874H01	Assembly, Suction Flange, 4", XJF 120S,M,L	1	
-94	951A0115H10	Valve, Solenoid	2	
-95	950A0293H02	Coil, Solenoid, 120VAC	2	
-96	534C1972H01	Gasket, Solenoid Valve, XJF 120 ■	2	
-97	534B0987H01	Rod, Indicator, XJS 120 (Linear Transmitter)	1	
-98	534C0194H02	Plug, Pipe, 1/4-18 NPTF w/.218" orifice, XJF 120S	1	
-99	534A0883H01	Spring, Compression	1	
-100	980A0012K62	O-ring ■	1	
-101	534C1552H01	Transmitter, Linear, w/well	1	
	534C1552H02	Transmitter, Linear, less well	1	
-102	534C0486H04	Shim, Female Bearing Installation, XJF 120 ◆	1	
-103	534C0486H09	Shim, Bearing, .005" Thick	2	
-104	534C0486H10	Shim, Bearing, .010" Thick	1	
-105	534C0194H04	Plug, Pipe, 1/4-18 NPTF w/.196" orifice, XJF 120S,M,L	1	
-106	944A0358H05	Flange, Socket Weld, 3", XJF 120	1	
-107	959A0057H18	Gasket, Flange, XJF 120 ■	1	
-108	534A0342H01	Strainer, Seal Housing	1	
-109	944A0113H01	Elbow, 1/4 ODP x 1/8" MPT	2	
-110	111Q0880452	Tubing, 1/4 OD x .035" Wall	1 ft.	
-111	649A0890H02	Connector, DIN	3	
-112	649A0890H11	Gasket, DIN Connector	3	
-113	111Q0740772	Capscrew, Socket Head, M20 x 75mm	4	
-114	534C0194H16	Plug, Pipe, 3/8-18 NPTF w/.062" orifice, XJF 120	1	
-115	534A0932H01	Set, Spherical Washer	1	
-116	534B1121H01	Seal, Lip	1	
-117	980A0012B03	O-ring ■	4	

* Rotor Casing and Gear Cover is ordered as a set.

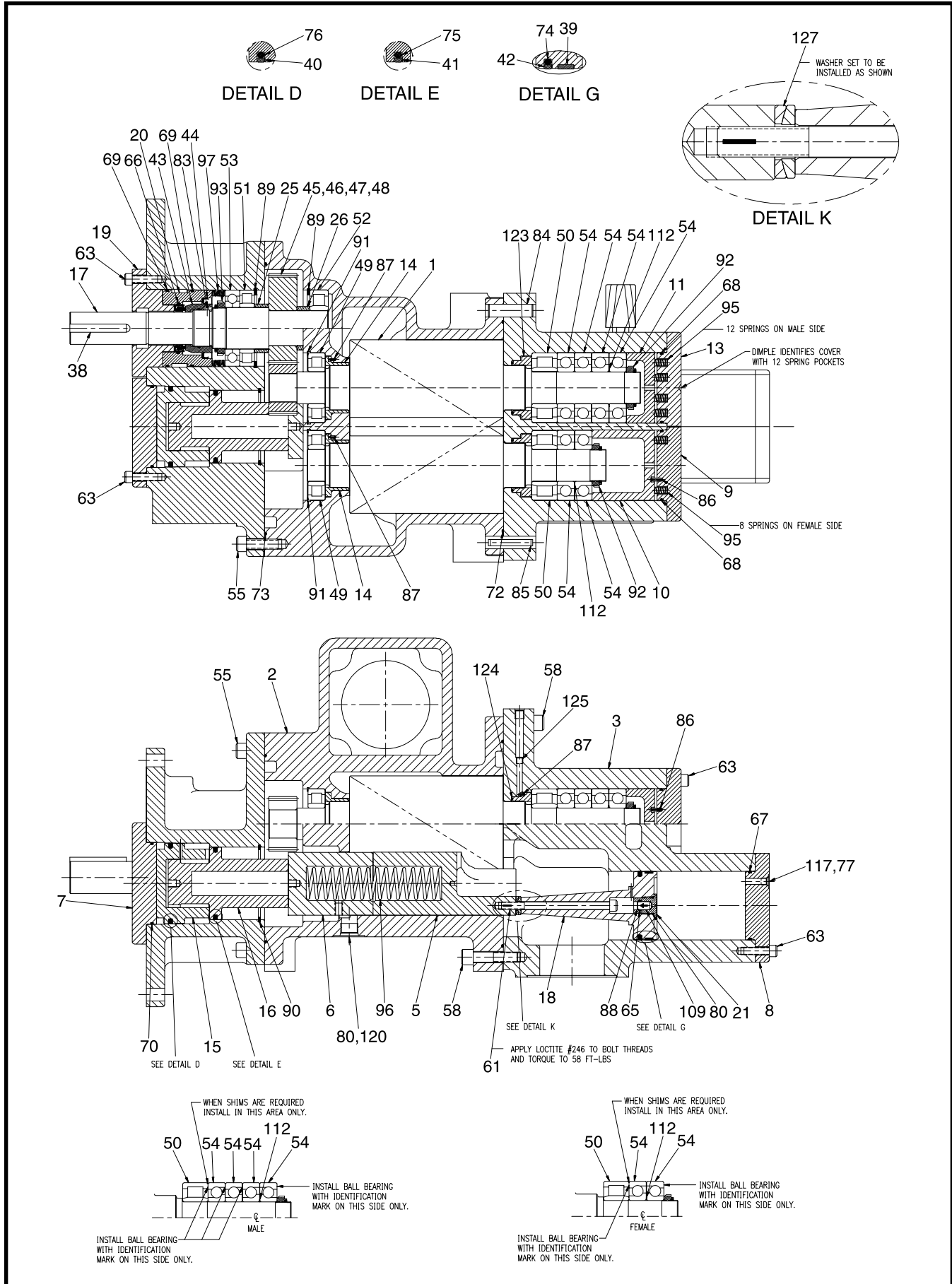


Figure 6a. XJF 151 Screw Compressor, Typical.

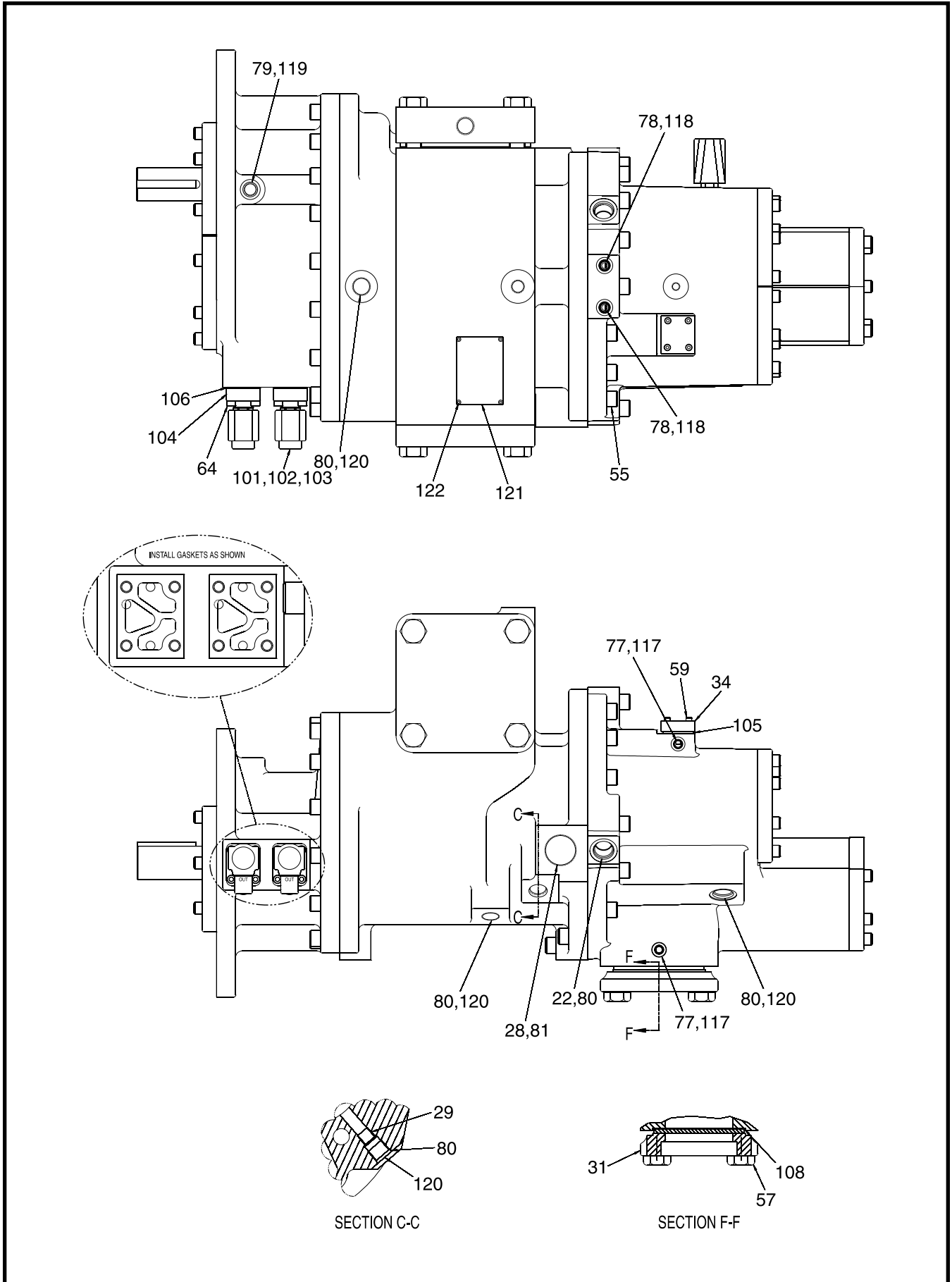


Figure 6b. XJF 151 Screw Compressor, Typical.

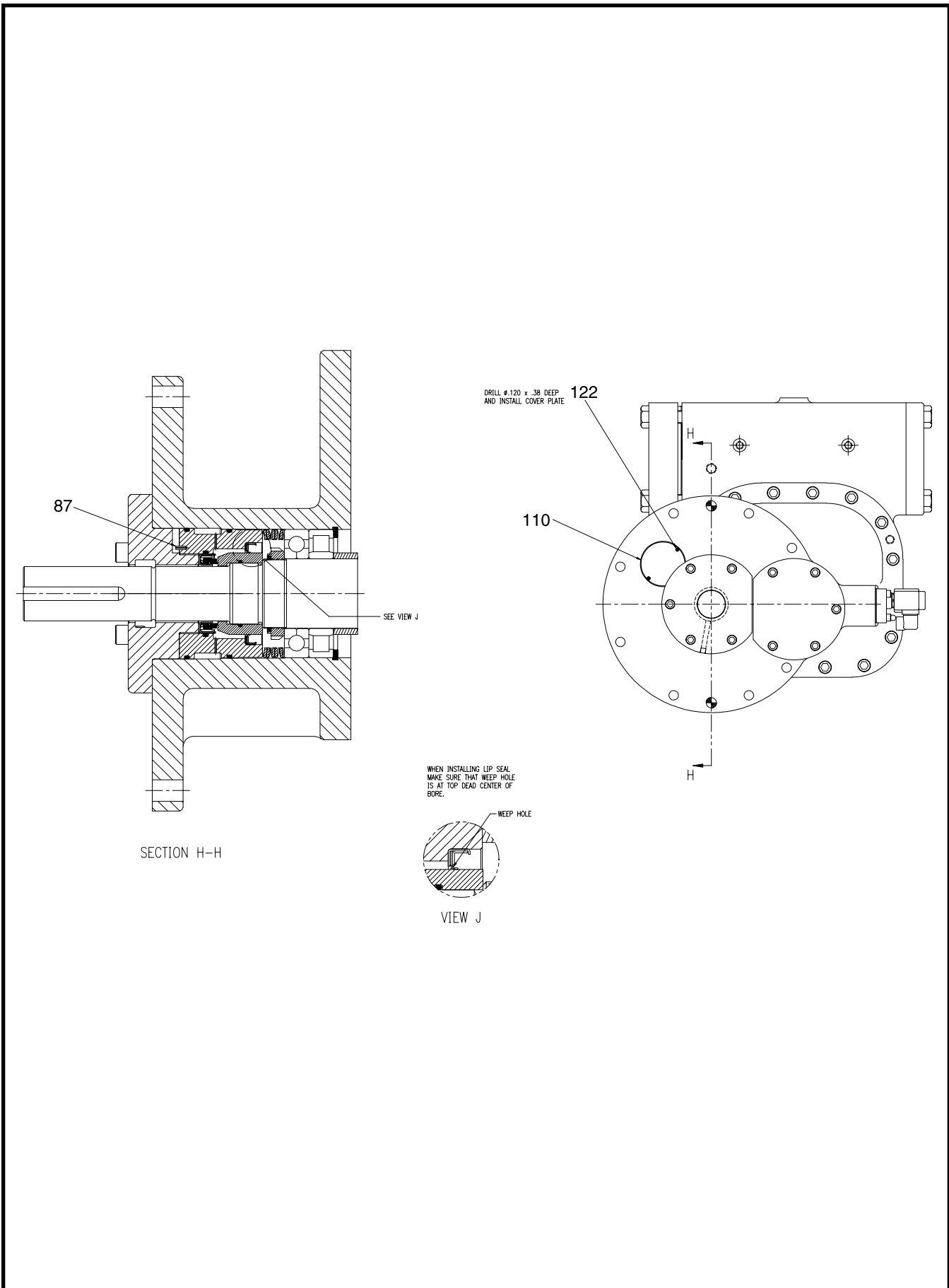


Figure 6c. XJF 151 Screw Compressor, Typical.

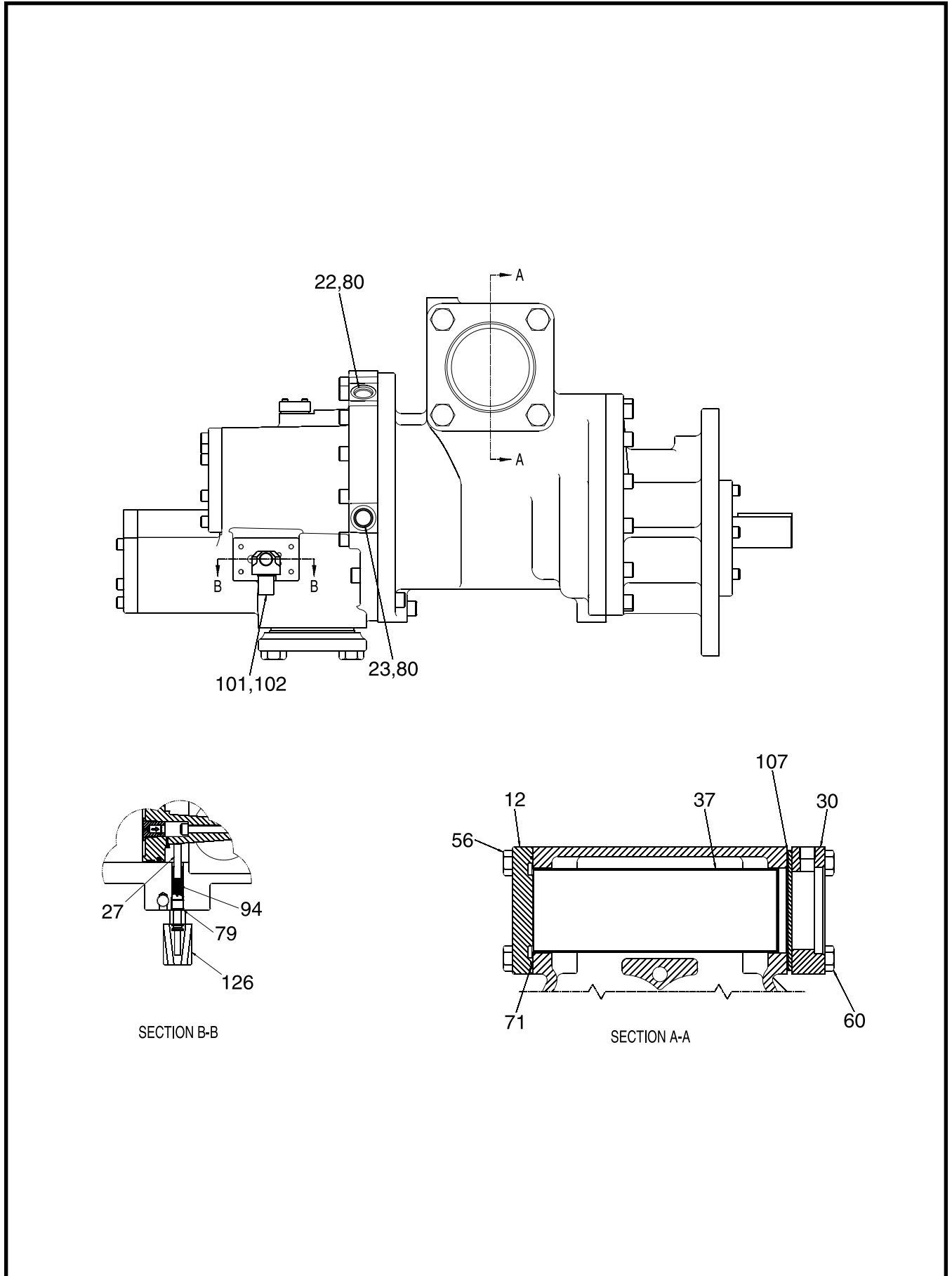


Figure 6d. XJF 151 Screw Compressor, Typical.

FIG. & INDEX	ITEM NUMBER	DESCRIPTION	QTY.	REV.
6-	534E0533	XJF 151 A,M,L,N Screw Compressor, New	Ref.	AD
	534E0533G01	XJF 151 A Screw Compressor	Ref.	
	534E0533G02	XJF 151 M Screw Compressor	Ref.	
	534E0533G03	XJF 151 L Screw Compressor	Ref.	
	534E0533G04	XJF 151 N Screw Compressor	Ref.	
-1	534A0542G02	Rotor Pair	1	
-2	534D0925G01	Assembly, Rotor Casing	1	
-3	534D0914C01	Casing, Discharge	1	
-4		not used		
-5	534D0916C01	Valve, Slide	1	
-6	534D0917H01	Stop, Slide	1	
-7	534C1057C01	Cover, Slide Stop	1	
-8	534C1058C01	Cover, Cylinder	1	
-9	534C1059C01	Cover, Outlet Bore	1	
-10	534C1060C01	Sleeve, Female Distance	1	
-11	534C1061C01	Sleeve, Male Distance	1	
-12	535C1062C01	Flange, Suction	1	
-13	534C2015C01	Cover, Male Outlet Bore Cover	1	
-14	534C1072H01	Bushing, Inlet ◆	2	
-15	534D0918H01	Piston, Stepper	1	
-16	534D0919H01	Piston, Slide Stop	1	
-17	534D0920H01	Jackshaft ▲	1	
-18	534D1515H01	Piston, Slide Valve	1	
-19	534D1778C01	Cover, Seal Housing ⁽¹⁾	1	
-20	534D0940H01	Housing, Seal	1	
-21	534A0555H01	Retainer, Check Valve	1	
-22	534A0557H01	Plug, Low Vi Liquid Injection	2	
-23	534A0558H01	Plus, High Vi Liquid Injection	1	
-24		not used		
-25	534A0560H01	Spacer, Outboard Bearing ▲	1	
-26	534A0561H01	Spacer, Inboard Bearing ▲	1	
-27	534B1023H01	Rod, Indicator (Linear Transmitter)	1	
-28	534B0523H01	Plug, Economizer	1	
-29	534C0194H27	Plug, Pipe, 1/2-14 NPTF w/.375" Orifice	1	
-30	535C1875H01	Suction Flange, 5"	1	
-31	944A0358H06	Flange, Socket Weld, 4"	1	
-32		not used		
-33		not used		
-34	534A0312H01	Plate, Closure	1	
-35		not used		
-36		not used		
-37	534B0527H01	Strainer, Suction	1	
-38	534A0662H02	Key, Square, 1/2 x 1/2 x 3-1/2"	1	
-39	534B0079H08	Slydring® ■	1	
-40	534C0187H16	Glyd Ring® ■	1	
-41	534C0187H17	Glyd Ring® ■	1	
-42	534C0187H18	Glyd Ring® ■	1	
-43	534B0732H01	Assembly, Shaft Seal ●	1	
-44	333Q0000910	Seal, Lip ●	1	
-45	534A0564G01	Gear Set, 51:46, XJF 151A ▲	1	
-46	534A0564G02	Gear Set, 55:42, XJF 151M ▲	1	
-47	534A0564G03	Gear Set, 60:37, XJF 151L ▲	1	
-48	534A0564G04	Gear Set, 64:33, XJF 151N ▲	1	
-49	534B0004H28	Bearing, Cylindrical Roller ◆	2	
-50	534B0004H29	Bearing, Cylindrical Roller ◆	2	
-51	534B0004H30	Bearing, Cylindrical Roller ▲	1	
-52	534B0004H31	Bearing, Cylindrical Roller ▲	1	
-53	534B0101H27	Bearing, 4-Point Angular Contact ▲	1	
-54	534C0478H12	Bearing, Angular Contact Ball ◆	6	
-55	901A0223H06	Capscrew, Socket Head, (M16x2.0) x 50mm	21	

FIG. & INDEX	ITEM NUMBER	DESCRIPTION	QTY.	REV.
-56	901A0207H06	Capscrew, Hex Head, (M24x3.0) x 65mm	4	
-57	901A0192H03	Capscrew Hex Head, (M22x2.5) x 60mm	4	
-58	901A0223H10	Capscrew, Socket Head, (M16x2.0) x 70mm	9	
-59	901A0240H09	Capscrew, Socket Head, (M5x0.8) x 25mm	4	
-60	901A0207H10	Capscrew, Hex Head, (M24x3.0) x 90mm	4	
-61	534A0572H01	Capscrew, Socket Head, (M12x1.75) x 170mm	1	
-62	not used			
-63	901A0085H08	Capscrew, Socket Head, (M12x1.25) x 40mm	25	
-64	901A0085H19	Capscrew, Socket Head, (M8x1.25) x 30mm	8	
-65	980A0012A62	O-ring ■	1	
-66	980A0012B64	O-ring ■ ●	1	
-67	980A0012B72	O-ring ■	1	
-68	980A0012B73	O-ring ■	2	
-69	980A0012B76	O-ring ■ ●	2	
-70	980A0012B78	O-ring ■	1	
-71	980A0012B91	O-ring ■	1	
-72	980A0012H10	O-ring ■	1	
-73	980A0012H12	O-ring ■ ▲	1	
-74	980A0012H49	O-ring ■	1	
-75	980A0012H51	O-ring ■	1	
-76	980A0012H55	O-ring ■	1	
-77	980A0012K58	O-ring ■	2	
-78	980A0012K60	O-ring ■	7	
-79	980A0012K62	O-ring ■	2	
-80	980A0012K66	O-ring ■	9	
-81	980A0012K72	O-ring ■	1	
-82	not used			
-83	534A0037H12	Pin, Dowel	1	
-84	534B0149H01	Pin, Dowel	2	
-85	534B0151H01	Pin, Dowel, Special	2	
-86	534A0038H02	Pin, Spring	2	
-87	534A0038H06	Pin, Spring	5	
-88	534A0570H01	Ring, Retaining	1	
-89	534B0014H09	Ring, Retaining ▲	2	
-90	534B0015H13	Ring, Retaining	1	
-91	534B0174H17	Ring, Retaining	2	
-92	534B0909H02	Locknut ◆	2	
-93	534B0909H04	Locknut ▲	1	
-94	534A0883H01	Spring, Compression	1	
-95	534A0219H01	Spring, Compression	20	
-96	534A0569H01	Spring, Unloader	1	
-97	534B1218H01	Spring, Wave ▲ ⁽¹⁾	1	
-98	not used			
-99	111Q0451948	Valve, Charging	1	
-100	not used			
-101	649A0890H02	DIN Connector w/NPTF Connection	3	
-102	649A0890H11	Gasket, Silicone	3	
-103	950A0293H02	Coil, Solenoid Valve	2	
-104	951A0115H10	Valve, Solenoid	2	
-105	534A0313H01	Gasket	1	
-106	534C1972H01	Gasket, Solenoid Valve ■	2	
-107	959A0054H11	Gasket ■	1	
-108	959A0057H09	Gasket ■	1	
-109	534A0173H01	Valve, Check	1	
-110	534A0673H01	Plate, Cover	1	
-111	not used			
-112	534A0568H05	Shim ◆	2	
-113	534A0394H01	Label, Warning	2	
-114	not used			
-115	not used			
-116	944A0246H01	Bushing	1	

FIG. & INDEX	ITEM NUMBER	DESCRIPTION	QTY.	REV.
-117	944A0228H03	Plug, Straight Thread O-ring, 7/16-20UNF	3	
-118	944A0228H05	Plug, Straight Thread O-ring, 9/18-18UNF	6	
-119	944A0228H06	Plug, Straight Thread O-ring, 3/4-16UNF	1	
-120	944A0228H08	Plug, Straight Thread O-ring, 1 1/16-12UN	5	
-121	991A0036H01	Nameplate	1	
-122	903A0003H08	Pin, Drive	6	
-123	534C1160H01	Seal, Gas ◆	2	
-124	980A0012B02	O-ring ■	2	
-125	534C0194H61	Plug, 1/8-27 NPTF w/.062" Orifice	2	
-126	534C1552H01	Transmitter, Linear, Short Stroke, w/well	1	
	534C1552H02	Transmitter, Linear, Short Stroke, less well	1	
-127	534A0931H01	Washer Set, Spherical	1	
<p>(1) For compressors built prior to October 6, 2008 (prior to s/n XJF151A0743A, XJF151M1146M, XJF151L1534L, XJF151N1407N) use Retrofit Kit 534B1219G01 when replacing item 97, Wave Spring, or item 19, Seal Housing Cover.</p>				

This page left blank intentionally.

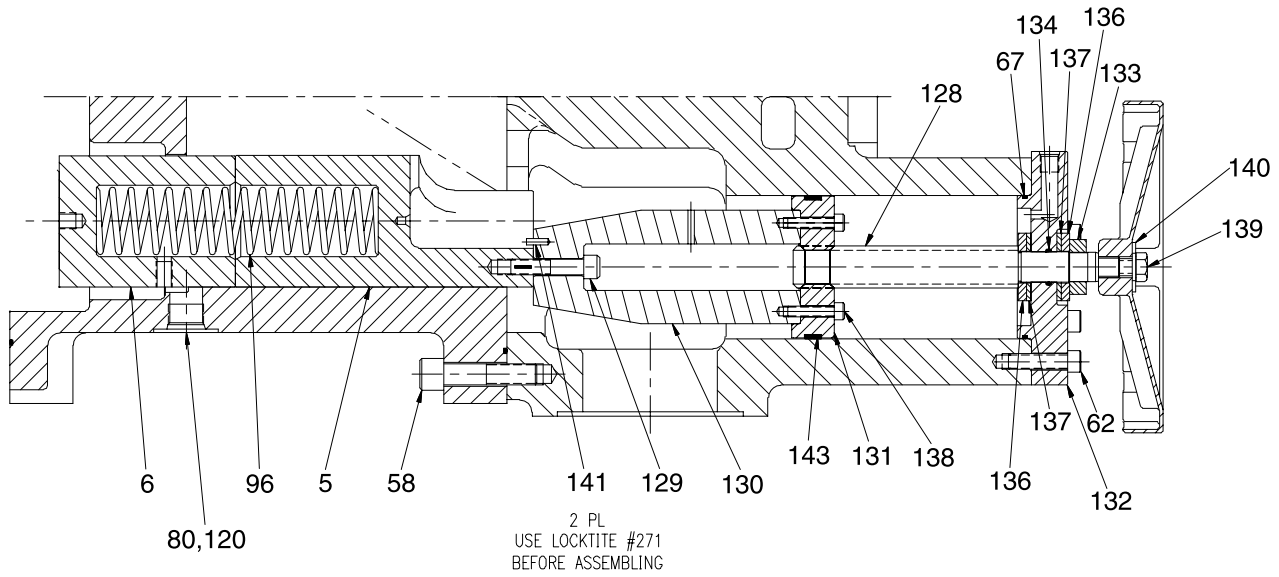


Figure 7a. XJF 151 Slide Valve Stop Assembly, Handwheel, Typical.

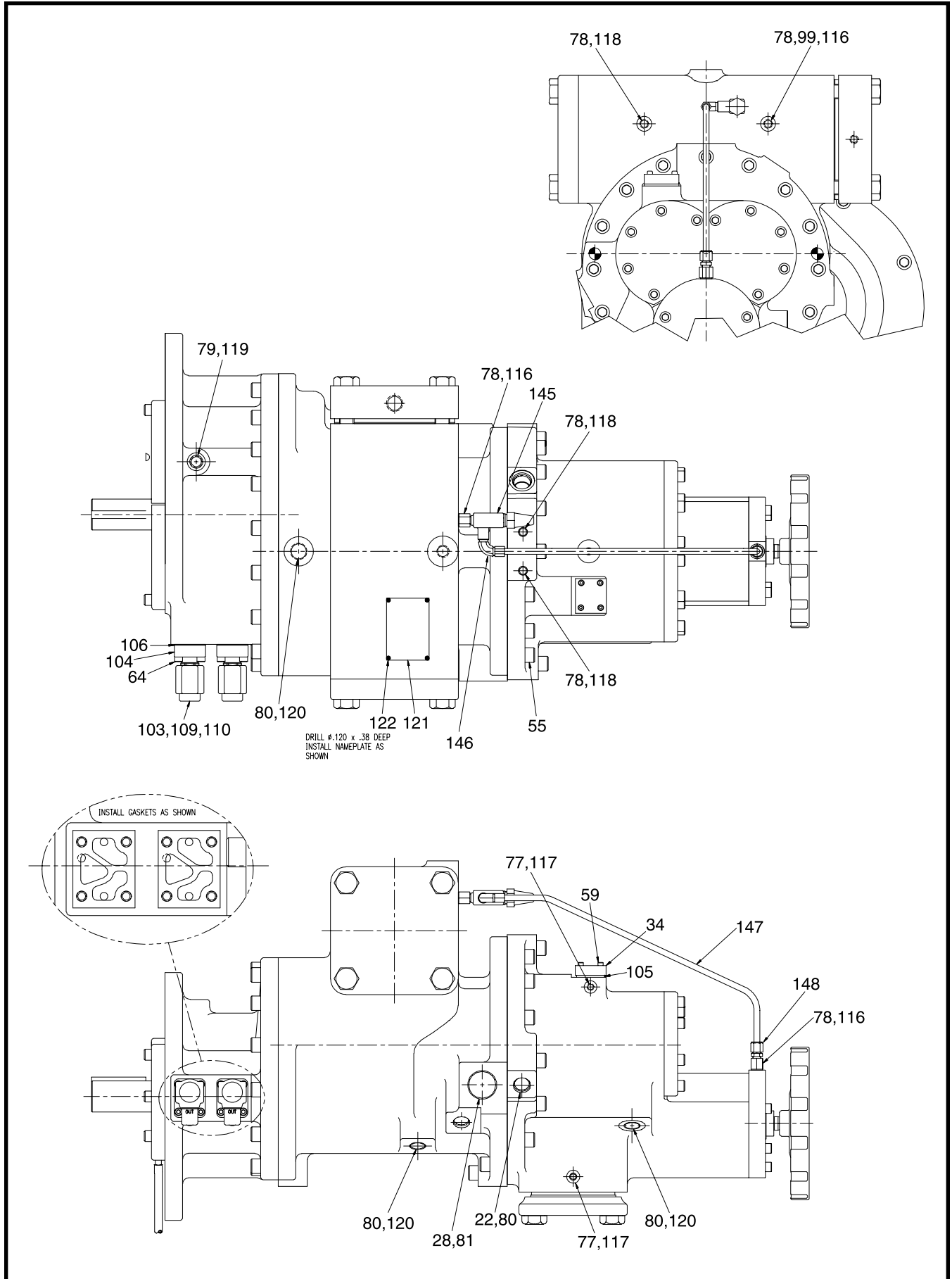


Figure 7b. XJF 151 Bypass Tubing and Shutoff Valve, Handwheel, Typical.

FIG. & INDEX	ITEM NUMBER	DESCRIPTION	QTY.	REV.
7-	534E0559	XJF 151 A,M,L,N Screw Compressor Handwheel, New	Ref.	T
	534E0559G01	XJF 151A, Screw Compressor Handwheel	Ref.	
	534E0559G02	XJF 151M, Screw Compressor Handwheel	Ref.	
	534E0559G03	XJF 151L, Screw Compressor Handwheel	Ref.	
	534E0559G04	XJF 151N, Screw Compressor Handwheel	Ref.	
-5	534D0916C01	Valve, Slide	1	
-6	534D0917H01	Stop, Slide	1	
-22	534A0557H01	Plug, Low Vi Liquid Injection	2	
-28	534B0523H01	Plug, Economizer	1	
-34	534A0312H01	Plate, Closure	1	
-55	901A0223H06	Capscrew, Socket Head (M16x2.0) x 50mm	21	
-58	901A0223H10	Capscrew, Socket Head (M16X2.0) x 70mm	9	
-59	901A0240H09	Capscrew, Socket Head (M5x0.8) x 25mm	4	
-62	901A0085H09	Capscrew, Socket Head (M12x1.75) x 45mm	5	
-64	901A0085H19	Capscrew, Socket Head (M8x1.25) x 30mm	8	
-67	980A0012B06	O-ring ■	1	
-77	980A0012K58	O-ring ■	2	
-78	980A0012K60	O-ring ■	8	
-79	980A0012K62	O-ring ■	2	
-80	980A0012K66	O-ring ■	9	
-81	980A0012K72	O-ring ■	1	
-96	534A0569H01	Spring, Unloader	1	
-99	111Q0451948	Valve, Charging	1	
-103	950A0293H02	Coil	2	
-104	951A0115H10	Valve, Solenoid	2	
-105	534A0313H01	Gasket	1	
-106	534C1972H01	Gasket, Solenoid Valve ■	2	
-109	649A0890H02	Connector, DIN	2	
-110	649A0890H11	Gasket, Silicone	2	
-116	944A0246H01	Bushing	3	
-117	944A0228H03	Plug, Straight Thread O-ring, 7/16-20UNF	2	
-118	944A0228H05	Plug, Straight Thread O-ring, 9/16-18UNF	5	
-119	944A0228H06	Plug, Straight Thread O-ring, 3/4-16UNF	1	
-120	944A0228H08	Plug, Straight Thread O-ring, 1 1/16-12UN	5	
-121	991A0036H01	Nameplate	1	
-122	903A0003H08	Pin, Drive	4	
-128	534B0675H01	Screw, Adjusting	1	
-129	534A0732H01	Capscrew, Socket Head (M12x1.75) x 55mm, w/Fused Locking Patch	1	
-130	534C1279H01	Spindle	1	
-131	534C2143H01	Piston ⁽¹⁾	1	
-132	534C2138H01	Cover, Cylinder ⁽¹⁾	1	
-133	534B0182H05	Collar, Clamp	1	
-134	980A0012A68	O-ring ■	1	
-136	534A0730H01	Washer, Steel	2	
-137	534A0731H01	Washer, Brass	2	
-138	901A0190H10	Capscrew, Socket Head (M8x1.25) x 35mm	4	
-139	901A0043D03	Capscrew, Socket Head 3/8-16 x .75"	1	
-140	581A0011H07	Washer, Spring 3/8"	1	
-141	534A0037H03	Pin, Dowel, 5m6 x 16mm	2	
-143	534B0079H08	Slydring® ■	1	
-145	950A0292H01	Valve, Stop	1	
-146	944A0113H03	Ell, 90° 3/8 ODT x 1/4 NPT Male	1	
-147	941A0021H02	Tubing, 3/8 304SS	2.2'	
-148	944A0116H05	Connector, Male 3/8 ODT x 1/4 NPTF	1	

(1) For compressors built prior to October 2008 (prior to s/n XJF151A0742AZ, XJF151M1143MZ, XJF151L1531LZ, XJF151N1402NZ) will need Pressure Balance Retrofit Kit 534B1220G01 when replacing item 131, Piston, or item 132, Cylinder Cover. The kit includes piston, cylinder cover, O-rings, Slydring®, external tubing, shutoff valve, fittings, and instructions.

FRICK COMPRESSOR OILS				
Number	1 Gallon	5 Gallon	55 Gallon	330 Gallon
2A	-	111Q0550019	111Q0550020	333Q0001866
3	333Q0001842	111Q0550001	111Q0550010	333Q0001861
4	-	-	111Q0550005	-
5	-	111Q0550008	111Q0550009	-
6	-	333Q0000940	333Q0000941	-
7	-	111Q0550024	111Q0550025	-
9	-	333Q0000850	333Q0000849	333Q0001862
9ST	-	333Q0001905	333Q0001904	-
10	333Q0000741	333Q0000740	333Q0000739	-
11	-	333Q0000852	333Q0000851	333Q0001863
11ST	-	333Q0001907	333Q0001906	-
12	333Q0001140	333Q0001141	333Q0001142	-
12B	-	333Q0001883	333Q0001884	-
13	333Q0000511	333Q0001253	333Q0001254	-
13B	333Q0001939	333Q0001938	333Q0001937	-
14	333Q0001143	333Q0001144	333Q0001145	-
18	-	-	333Q0001892	-
19	-	333Q0001900	333Q0001899	-
20	-	333Q0001902	333Q0001903	-
NG 1	-	-	333Q0001850	-
NG 2	-	-	333Q0001851	-
NG 3	-	-	333Q0001852	-

Oil Analysis Kit - 333Q0001853
Tube of ODP Motor Grease - 333Q0001860

FRICK BLUE PAINT	
Size Each	Item Number
1 PT.	993A0001H01*
1 GAL.	333Q0000404
2 GAL.	333Q0000724**

* Spray Can

** Matte finish epoxy paint. One gallon each of resin and cure that require mixing.

ADAPTERS - STRAIGHT THREAD TO NPTF ⁽¹⁾			
Straight Thread Size	NPTF Size	Frick Part Number	O-ring
9/16-18	1/4-18	944A0246H01	980A0012K60
3/4-16	1/4-18	944A0246H02	980A0012K62
3/4-16	3/8-18	944A0246H03	980A0012K62
3/4-16	1/2-14	944A0246H04	980A0012K62
7/8-14	1/4-18	944A0246H05	980A0012K64
7/8-14	3/8-18	944A0246H06	980A0012K64
7/8-14	1/2-14	944A0246H07	980A0012K64
7/8-14	3/4-14	944A0246H08	980A0012K64
1 1/16-12	1/2-14	944A0246H09	980A0012K66
1 1/16-12	3/4-14	944A0246H10	980A0012K66
1 3/16-12	1/2-14	944A0246H11	980A0012K68
1 3/16-12	3/4-14	944A0246H12	980A0012K68
1 5/16-12	1/2-14	944A0246H13	980A0012K69
1 5/16-12	3/4-14	944A0246H14	980A0012K69
1 5/16-12	1-11 1/2	944A0246H15	980A0012K69
1 5/8-12	1-11 1/2	944A0246H16	980A0012K71
1 5/8-12	1 1/4-11 1/2	944A0246H17	980A0012K71
1 7/8-12	1-11 1/2	944A0246H18	980A0012K72
1 7/8-12	1 1/2-11 1/2	944A0246H19	980A0012K72
7/16-20	1/4-18	944A0246H20	980A0012K58

1. In Inches

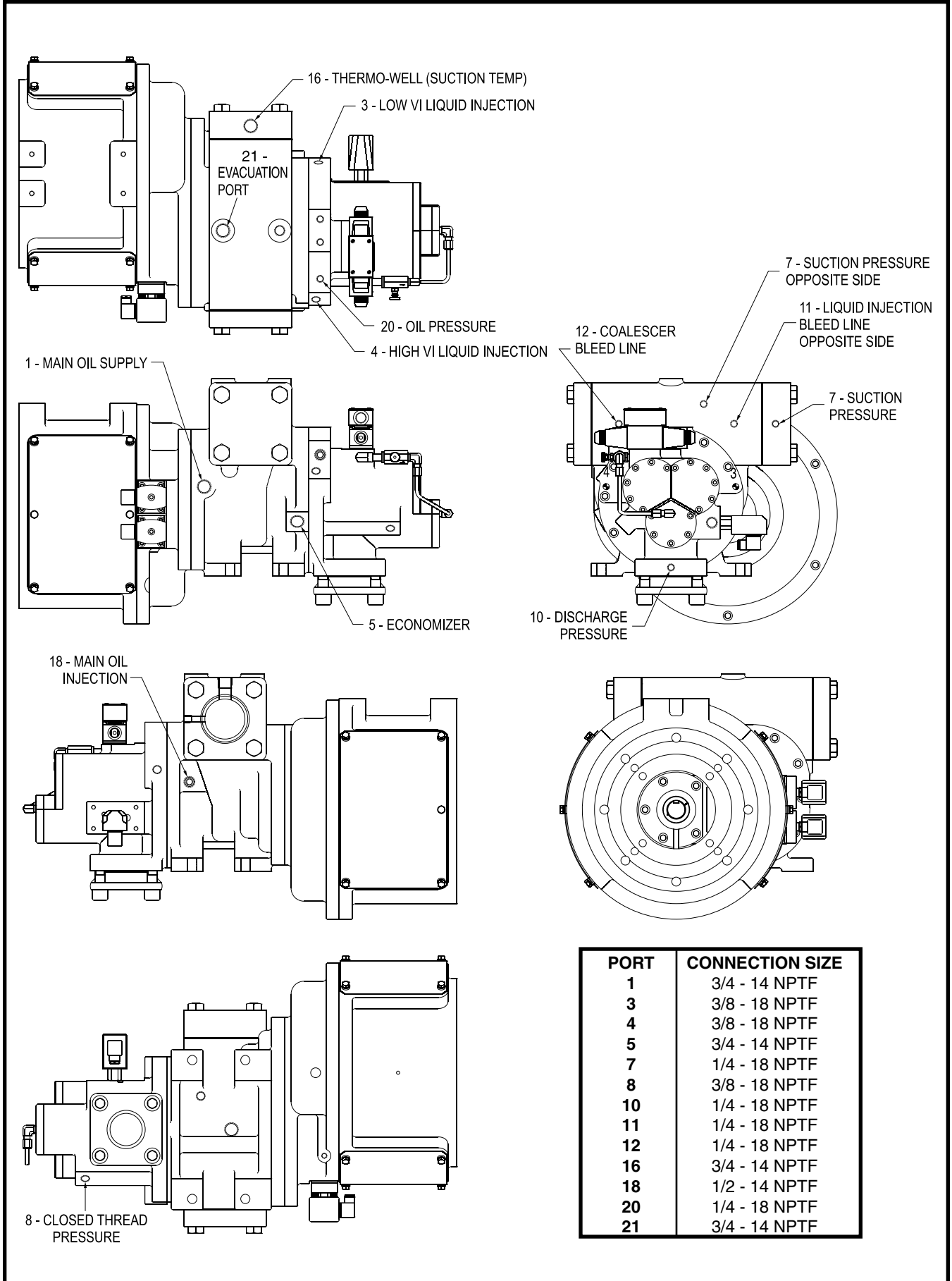
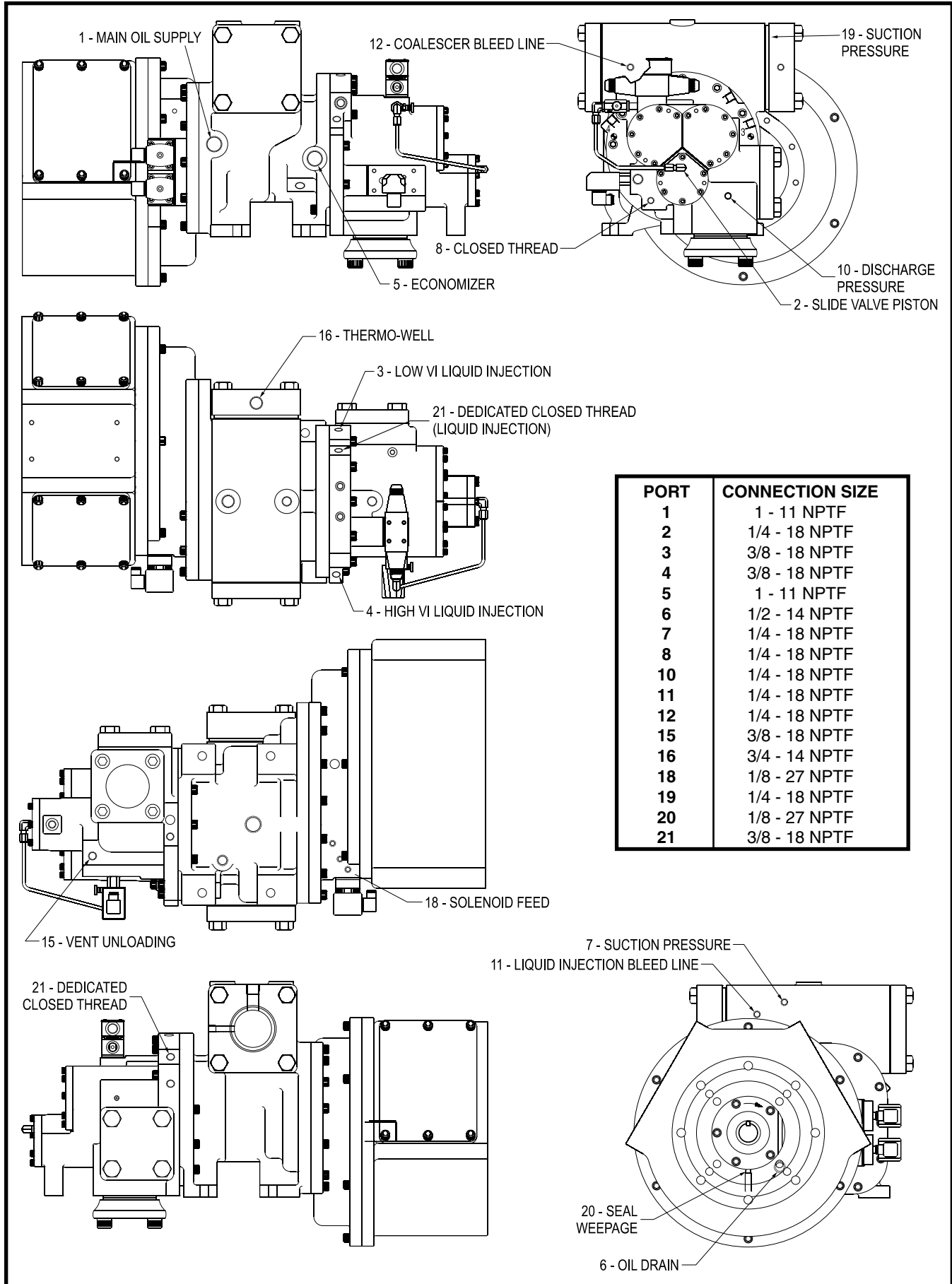


Figure 8. XJF 95 Port Locations.



PORT	CONNECTION SIZE
1	1 - 11 NPTF
2	1/4 - 18 NPTF
3	3/8 - 18 NPTF
4	3/8 - 18 NPTF
5	1 - 11 NPTF
6	1/2 - 14 NPTF
7	1/4 - 18 NPTF
8	1/4 - 18 NPTF
10	1/4 - 18 NPTF
11	1/4 - 18 NPTF
12	1/4 - 18 NPTF
15	3/8 - 18 NPTF
16	3/4 - 14 NPTF
18	1/8 - 27 NPTF
19	1/4 - 18 NPTF
20	1/8 - 27 NPTF
21	3/8 - 18 NPTF

Figure 9. XJF 120 Port Locations.

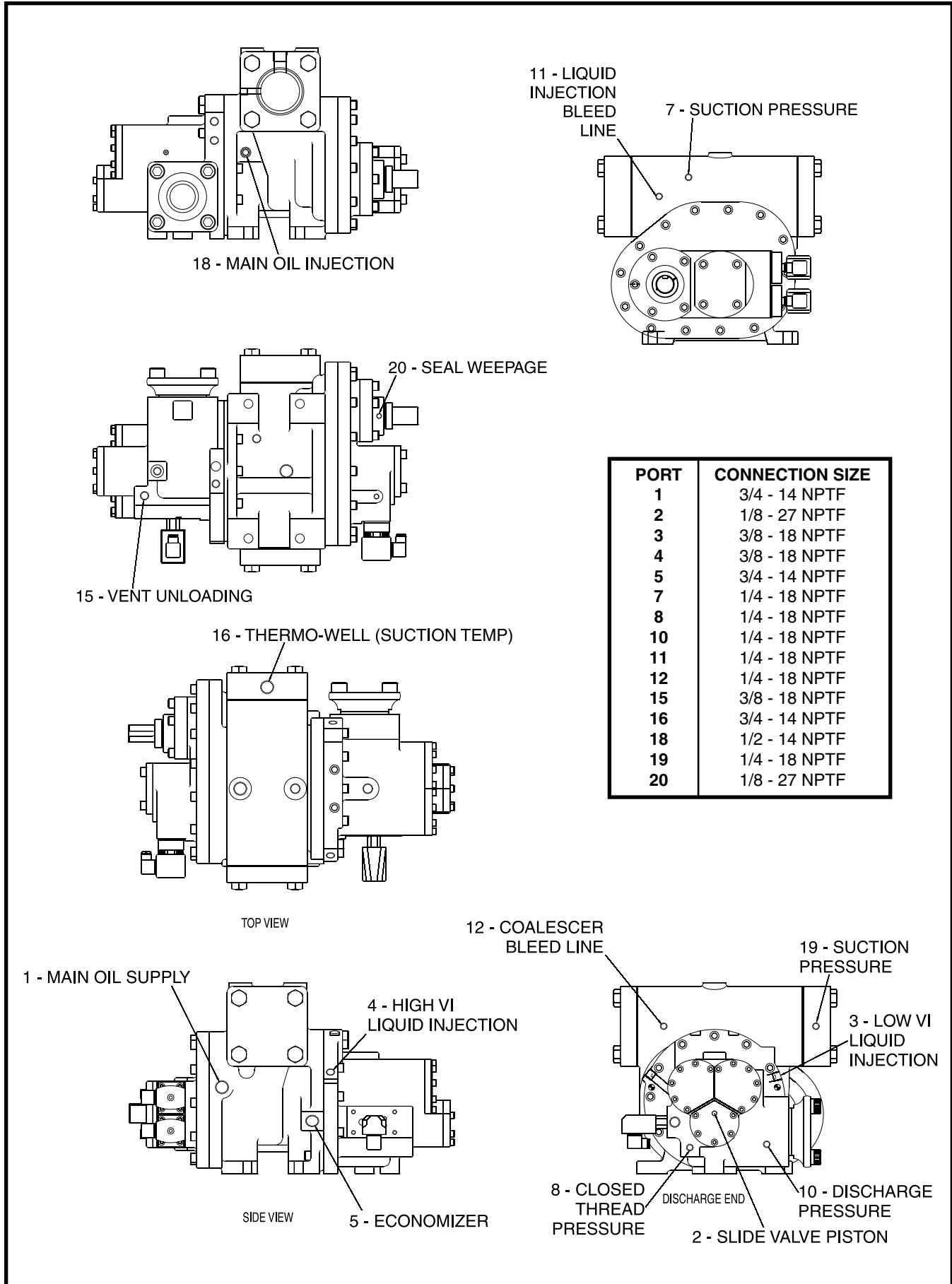


Figure 11. XJS 95 Port Locations.

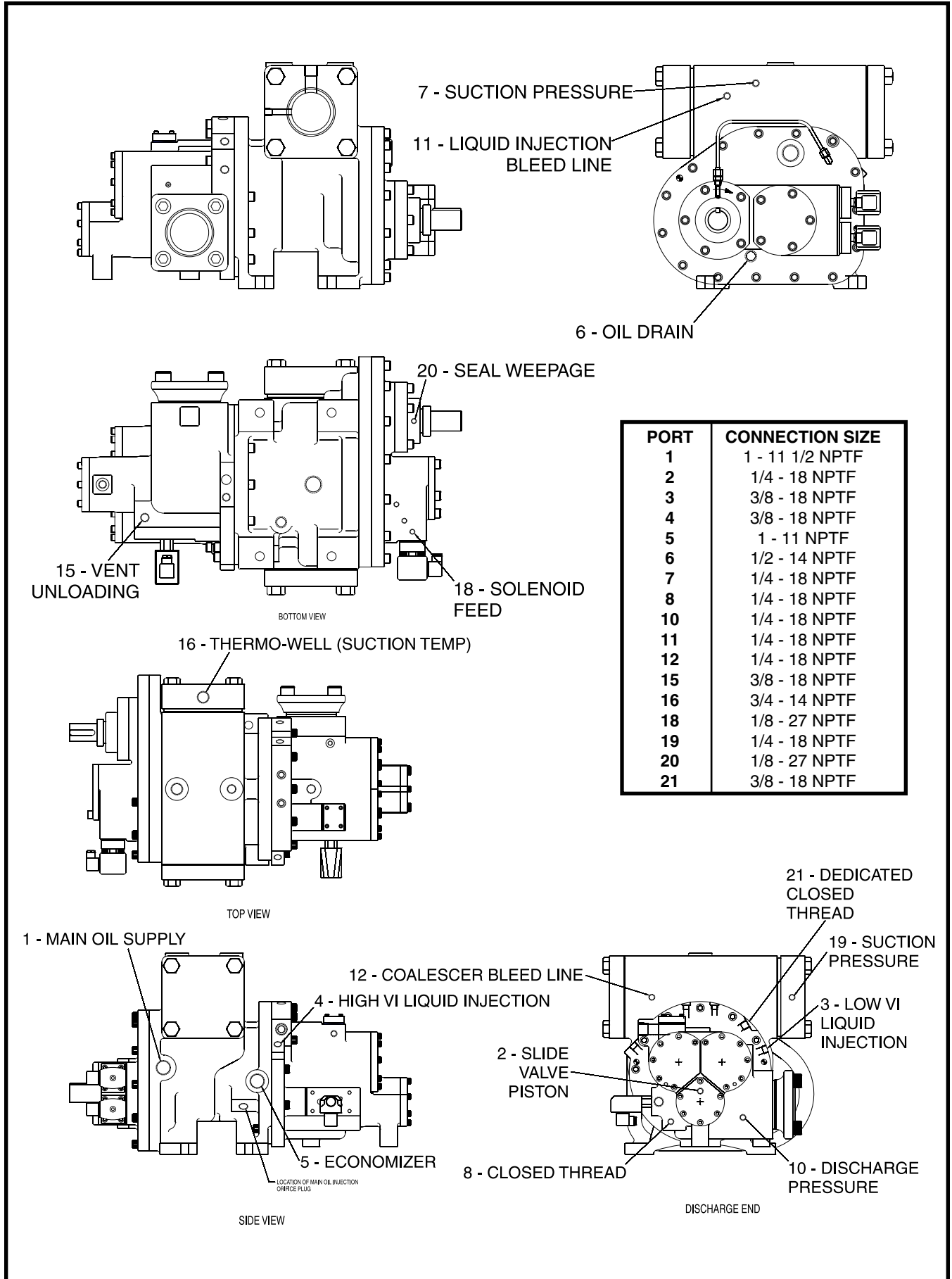


Figure 12. XJS 120 Port Locations.

ITEM NUMBER	FIG. & INDEX NO.	ITEM NUMBER	FIG. & INDEX NO.	ITEM NUMBER	FIG. & INDEX NO.
111Q0110110	3-19	534A0147G01	5-52	534A0561H01	6-26
111Q0451948	6-99	534A0147G02	2-26	534A0564G01	6-45
111Q0451948	7-99	534A0147G02	5-52	534A0564G02	6-46
111Q0740723	1-79	534A0147G03	2-26	534A0564G03	6-47
111Q0740739	1-80	534A0147G03	5-52	534A0564G04	6-48
111Q0740739	2-80	534A0157G01	1-26	534A0568H05	6-112
111Q0740739	3-7	534A0157G01	4-44	534A0569H01	6-96
111Q0740739	5-69	534A0157G02	1-26	534A0569H01	7-96
111Q0740740	5-86	534A0157G02	4-44	534A0570H01	6-88
111Q0740741	2-82	534A0157G03	1-26	534A0572H01	6-61
111Q0740741	5-92	534A0157G03	4-44	534A0658G01	5-1
111Q0740748	1-83	534A0167H01	1-16	534A0658G02	2-19
111Q0740748	4-9	534A0167H01	4-57	534A0662H02	6-38
111Q0740772	1-82	534A0173H01	1-76	534A0673H01	6-110
111Q0740772	4-94	534A0173H01	2-76	534A0725H01	3-9
111Q0740772	5-113	534A0173H01	4-18	534A0726H01	3-16
111Q0740781	2-83	534A0173H01	5-18	534A0727H01	3-17
111Q0740781	5-9	534A0173H01	6-109	534A0730H01	7-136
111Q0740792	5-47	534A0195G01	1-19	534A0731H01	7-137
111Q0740838	2-79	534A0195G01	4-1	534A0732H01	7-129
111Q0740838	5-50	534A0219H01	1-33	534A0835H01	1-30
111Q0740840	4-9	534A0219H01	2-33	534A0835H01	2-30
111Q0880452	2-101	534A0219H01	4-39	534A0835H01	3-4
111Q0880452	5-110	534A0219H01	5-43	534A0835H01	4-5
333Q0000584	3-13	534A0219H01	6-95	534A0835H01	5-5
333Q0000703	1-94	534A0230H01	1-18	534A0883H01	1-29
333Q0000703	4-82	534A0230H01	4-56	534A0883H01	2-29
333Q0000717	1-95	534A0231H01	2-18	534A0883H01	4-89
333Q0000717	4-83	534A0231H01	5-64	534A0883H01	5-99
333Q0000738	4-77	534A0312H01	6-34	534A0883H01	6-94
333Q0000910	6-44	534A0312H01	7-34	534A0931H01	6-127
534A0035H12	1-73	534A0313H01	6-105	534A0932H01	1-97
534A0035H12	4-30	534A0313H01	7-105	534A0932H01	2-97
534A0037H03	3-10	534A0341H01	1-75	534A0932H01	4-100
534A0037H03	7-141	534A0341H01	2-75	534A0932H01	5-115
534A0037H12	1-36	534A0341H01	4-17	534B0004H13	1-41
534A0037H12	2-36	534A0341H01	5-17	534B0004H13	2-41
534A0037H12	4-67	534A0342H01	1-62	534B0004H13	4-46
534A0037H12	5-75	534A0342H01	2-62	534B0004H13	5-57
534A0037H12	6-83	534A0342H01	4-80	534B0004H14	2-42
534A0038H02	1-35	534A0342H01	5-89	534B0004H14	5-67
534A0038H02	2-35	534A0342H01	5-108	534B0004H15	2-41
534A0038H02	4-34	534A0343H01	2-81	534B0004H15	5-54
534A0038H02	5-34	534A0343H01	4-16	534B0004H16	1-42
534A0038H02	6-86	534A0343H01	5-16	534B0004H16	4-59
534A0038H06	1-34	534A0394H01	6-113	534B0004H17	2-40
534A0038H06	2-34	534A0506H01	4-77	534B0004H17	5-27
534A0038H06	4-25	534A0542G02	6-1	534B0004H18	1-40
534A0038H06	5-25	534A0555H01	6-21	534B0004H18	4-27
534A0038H06	6-87	534A0557H01	6-22	534B0004H21	1-43
534A0145H01	2-16	534A0557H01	7-22	534B0004H21	4-54
534A0145H01	5-65	534A0558H01	6-23	534B0004H22	2-43
534A0147G01	2-26	534A0560H01	6-25	534B0004H22	5-62

ITEM NUMBER	FIG. & INDEX NO.	ITEM NUMBER	FIG. & INDEX NO.	ITEM NUMBER	FIG. & INDEX NO.
534B0004H28	6-49	534B0193H01	1-38	534C0187H10	1-64
534B0004H29	6-50	534B0193H01	2-38	534C0187H10	4-14
534B0004H30	6-51	534B0193H01	4-41	534C0187H16	6-40
534B0004H31	6-52	534B0193H01	5-49	534C0187H17	6-41
534B0014H09	6-89	534B0199H01	2-23	534C0187H18	6-42
534B0014H17	1-70	534B0199H01	5-71	534C0194H02	2-99
534B0014H17	4-55	534B0208H01	1-23	534C0194H02	5-98
534B0014H18	2-70	534B0208H01	4-63	534C0194H04	2-99
534B0014H18	5-63	534B0233H01	2-17	534C0194H04	5-105
534B0015H13	6-90	534B0233H01	5-40	534C0194H07	1-99
534B0079H03	1-65	534B0234H01	1-17	534C0194H07	4-2
534B0079H03	4-15	534B0274H01	2-103	534C0194H08	4-95
534B0079H04	2-65	534B0274H01	5-91	534C0194H16	1-98
534B0079H04	3-21	534B0302H01	1-71	534C0194H16	2-98
534B0079H04	5-15	534B0302H01	4-65	534C0194H16	5-114
534B0079H08	6-39	534B0480H01	1-101	534C0194H27	6-29
534B0079H08	7-143	534B0483H01	4-36	534C0194H61	6-125
534B0101H07	2-44	534B0484H01	4-97	534C0373H01	2-22
534B0101H07	5-41	534B0523H01	6-28	534C0373H01	5-58
534B0101H08	1-44	534B0523H01	7-28	534C0375C01	2-9
534B0101H23	1-45	534B0527H01	6-37	534C0377H01	2-22
534B0101H23	4-53	534B0671H01	3-14	534C0377H01	5-55
534B0101H24	2-45	534B0672H01	3-11	534C0378C01	2-7
534B0101H24	5-61	534B0673H01	3-12	534C0378C01	5-44
534B0101H27	6-53	534B0674H01	3-22	534C0378C02	2-8
534B0125H12	1-74	534B0675H01	7-128	534C0378C02	5-35
534B0125H12	4-29	534B0731H01	1-24	534C0381C01	2-10
534B0149H01	6-84	534B0731H01	4-69	534C0381C01	5-22
534B0149H02	1-37	534B0732H01	6-43	534C0408G01	2-39
534B0149H02	2-37	534B0909H01	2-73	534C0408G01	5-6
534B0149H02	5-48	534B0909H01	5-30	534C0415C01	1-5
534B0151H01	6-85	534B0909H02	6-92	534C0415C01	4-52
534B0174H02	1-68	534B0909H04	6-93	534C0419C01	1-7
534B0174H02	2-67	534B0930H01	1-92	534C0419C01	4-40
534B0174H02	2-68	534B0930H01	2-92	534C0419C02	1-8
534B0174H02	4-45	534B0930H01	3-3	534C0419C02	4-35
534B0174H02	5-56	534B0930H01	4-4	534C0423C01	1-9
534B0174H03	1-67	534B0930H01	5-4	534C0423C01	4-70
534B0174H03	5-53	534B0986H01	1-27	534C0424C01	1-10
534B0174H04	2-69	534B0986H01	4-88	534C0424C01	4-22
534B0174H04	5-66	534B0987H01	2-27	534C0426H01	1-22
534B0174H06	1-69	534B0987H01	5-97	534C0426H01	4-47
534B0174H06	4-58	534B1023H01	6-27	534C0426H01	4-50
534B0174H10	1-66	534B1121H01	2-104	534C0428G01	1-39
534B0174H10	4-78	534B1121H01	5-116	534C0428G01	4-6
534B0174H10	5-87	534B1218H01	6-97	534C0431H01	1-77
534B0174H17	6-91	534B2010H01	5-73	534C0431H01	2-77
534B0182H02	1-25	534C0187H08	1-63	534C0431H01	4-20
534B0182H02	4-64	534C0187H08	2-63	534C0431H01	5-20
534B0182H04	3-8	534C0187H08	4-73	534C0445C01	2-21
534B0182H05	7-133	534C0187H08	5-14	534C0445C01	5-26
534B0182H06	2-25	534C0187H09	2-64	534C0446C01	1-21
534B0182H06	5-72	534C0187H09	5-81	534C0446C01	4-26

ITEM NUMBER	FIG. & INDEX NO.	ITEM NUMBER	FIG. & INDEX NO.	ITEM NUMBER	FIG. & INDEX NO.
534C0471C01	2-2	534C1160H01	6-123	534D0917H01	6-6
534C0471C01	5-42	534C1279H01	7-130	534D0917H01	7-6
534C0472C01	2-3	534C1552H01	1-47	534D0918H01	6-15
534C0472C01	5-31	534C1552H01	2-47	534D0919H01	6-16
534C0473C01	1-2	534C1552H01	4-91	534D0920H01	6-17
534C0473C01	4-38	534C1552H01	5-101	534D0925G01	6-2
534C0474C01	1-3	534C1552H01	6-126	534D0940H01	6-20
534C0474C01	4-31	534C1552H02	1-47	534D1515H01	6-18
534C0478H10	2-46	534C1552H02	2-47	534D1516H01	2-15
534C0478H10	5-28	534C1552H02	4-91	534D1516H01	5-12
534C0478H11	1-46	534C1552H02	5-101	534D1518H01	1-15
534C0478H11	4-28	534C1552H02	6-126	534D1518H01	4-12
534C0478H12	6-54	534C1868H01	1-87	534D1689C01	2-6
534C0479H03	2-32	534C1868H01	4-84	534D1689C01	5-74
534C0479H03	5-38	534C1870H01	2-87	534D1778C01	6-19
534C0479H04	1-32	534C1872H01	1-87	534E0143C01	2-72
534C0479H11	1-31	534C1872H01	4-84	534E0143C01	5-2
534C0479H11	4-32	534C1972H01	1-85	534E0155C01	2-72
534C0479H12	2-31	534C1972H01	2-85	534E0194C01	2-1
534C0479H12	5-32	534C1972H01	4-87	534E0195C01	1-1
534C0480H01	2-13	534C1972H01	5-96	534E0272C01	5-68
534C0480H01	5-39	534C1972H01	6-106	534E0273C01	5-83
534C0481H01	2-14	534C1972H01	7-106	534E0307C01	5-10
534C0481H01	5-36	534C2010H01	2-71	534E0437C01	4-75
534C0482H01	1-13	534C2011H01	2-24	534E0446C01	4-10
534C0483H01	1-14	534C2011H01	5-77	535C1062C01	6-12
534C0486H04	2-93	534C2015C01	6-13	535C1870H01	5-93
534C0486H04	5-102	534C2138H01	7-132	535C1874H01	2-87
534C0486H08	1-93	534C2143H01	7-131	535C1874H01	5-93
534C0486H08	4-81	534D0322C01	2-4	535C1875H01	6-30
534C0486H09	2-95	534D0322C01	3-1	580D0071H24	1-91
534C0486H09	5-103	534D0322C01	5-3	580D0071H24	4-92
534C0486H10	2-95	534D0324C01	2-5	581A0011H07	3-20
534C0486H10	5-104	534D0324C01	3-2	581A0011H07	7-140
534C0611H01	2-20	534D0324C01	5-60	581B0001H03	3-18
534C0611H01	5-70	534D0325C01	2-12	649A0890H02	1-47
534C0612H01	1-20	534D0325C01	5-82	649A0890H02	2-47
534C0612H01	4-62	534D0326H01	2-11	649A0890H02	4-98
534C0614C01	1-6	534D0326H01	5-59	649A0890H02	5-111
534C0614C01	4-66	534D0341C01	2-88	649A0890H02	6-101
534C0660H01	5-84	534D0341C01	5-7	649A0890H02	7-109
534C0661C01	5-78	534D0342C01	1-4	649A0890H11	1-47
534C0703C01	5-45	534D0342C01	4-3	649A0890H11	2-47
534C0709H01	5-85	534D0344H01	1-11	649A0890H11	4-99
534C1011H01	4-76	534D0344H01	4-51	649A0890H11	5-112
534C1044H01	1-12	534D0349C01	1-88	649A0890H11	6-102
534C1044H01	4-74	534D0349C01	4-7	649A0890H11	7-110
534C1057C01	6-7	534D0856G01	1-72	901A0043D03	7-139
534C1058C01	6-8	534D0860G01	4-2	901A0085H04	4-77
534C1059C01	6-9	534D0860G01	4-60	901A0085H08	6-63
534C1060C01	6-10	534D0914C01	6-3	901A0085H09	4-61
534C1061C01	6-11	534D0916C01	6-5	901A0085H09	7-62
534C1072H01	6-14	534D0916C01	7-5	901A0085H10	4-42

ITEM NUMBER	FIG. & INDEX NO.	ITEM NUMBER	FIG. & INDEX NO.	ITEM NUMBER	FIG. & INDEX NO.
901A0085H19	1-78	951A0115H10	5-93	980A0012B35	1-58
901A0085H19	2-78	951A0115H10	6-104	980A0012B35	2-58
901A0085H19	3-6	951A0115H10	7-104	980A0012B35	4-19
901A0085H19	4-23	959A0054H10	2-90	980A0012B35	5-19
901A0085H19	5-23	959A0054H10	5-8	980A0012B64	6-66
901A0085H19	6-64	959A0054H11	6-107	980A0012B72	2-57
901A0085H19	7-64	959A0057H06	1-89	980A0012B72	5-76
901A0190H10	7-138	959A0057H06	4-93	980A0012B72	6-67
901A0192H03	6-57	959A0057H09	6-108	980A0012B73	6-68
901A0192H07	2-96	959A0057H18	2-89	980A0012B74	5-46
901A0192H07	5-9	959A0057H18	5-107	980A0012B76	6-69
901A0207H06	6-56	959A0066H12	1-90	980A0012B78	6-70
901A0207H10	6-60	959A0066H12	4-8	980A0012B91	6-71
901A0222H11	1-96	980A0012A62	6-65	980A0012B99	1-60
901A0223H06	6-55	980A0012A65	3-15	980A0012B99	4-11
901A0223H06	7-55	980A0012A68	7-134	980A0012H05	2-60
901A0223H10	6-58	980A0012A85	1-48	980A0012H05	5-11
901A0223H10	7-58	980A0012A85	4-24	980A0012H06	1-61
901A0240H09	6-59	980A0012A86	1-49	980A0012H06	4-43
901A0240H09	7-59	980A0012A86	4-13	980A0012H10	2-61
903A0003H08	6-122	980A0012A88	1-50	980A0012H10	5-51
903A0003H08	7-122	980A0012A89	1-51	980A0012H10	6-72
941A0021H02	7-147	980A0012A89	4-21	980A0012H12	6-73
944A0113H01	1-100	980A0012A90	1-52	980A0012H49	6-74
944A0113H01	2-100	980A0012A90	4-79	980A0012H51	6-75
944A0113H01	4-96	980A0012A93	2-48	980A0012H55	6-76
944A0113H01	5-109	980A0012A93	5-24	980A0012K58	6-77
944A0113H03	7-146	980A0012A94	1-53	980A0012K58	7-77
944A0116H01	2-102	980A0012A94	2-49	980A0012K60	6-78
944A0116H05	7-148	980A0012A94	2-52	980A0012K60	7-78
944A0228H03	6-117	980A0012A94	4-72	980A0012K62	1-59
944A0228H03	7-117	980A0012A94	5-13	980A0012K62	2-59
944A0228H05	6-118	980A0012A95	2-50	980A0012K62	4-90
944A0228H05	7-118	980A0012A95	5-37	980A0012K62	5-100
944A0228H06	6-119	980A0012A96	1-54	980A0012K62	6-79
944A0228H06	7-119	980A0012A97	1-55	980A0012K62	7-79
944A0228H08	6-120	980A0012A97	2-51	980A0012K66	6-80
944A0228H08	7-120	980A0012A97	3-5	980A0012K66	7-80
944A0246H01	6-116	980A0012A97	4-33	980A0012K72	6-81
944A0246H01	7-116	980A0012A97	5-21	980A0012K72	7-81
944A0296H06	2-91	980A0012A98	1-56	991A0036H01	6-121
944A0358H05	5-106	980A0012A98	2-53	991A0036H01	7-121
944A0358H06	6-31	980A0012A98	4-71	999Q0740846	5-90
950A0292H01	7-145	980A0012A98	5-80		
950A0293H02	1-86	980A0012B02	2-56		
950A0293H02	2-86	980A0012B02	5-79		
950A0293H02	4-86	980A0012B02	6-124		
950A0293H02	5-95	980A0012B03	2-54		
950A0293H02	6-103	980A0012B03	2-55		
950A0293H02	7-103	980A0012B03	5-117		
951A0115H10	1-84	980A0012B04	1-57		
951A0115H10	2-84	980A0012B04	4-68		
951A0115H10	4-85	980A0012B06	7-67		

Form 070-450 SPL (2008-11)
Supersedes: S70-450 SPL (2007-11)
Subject to change without notice
Published in USA • GUI

© 2008 Johnson Controls Inc. - ALL RIGHTS RESERVED



Johnson Controls
100 CV Avenue • P.O. Box 997
Waynesboro, PA USA 17268-0997
Phone: 717-762-2121 • FAX: 717-762-8624
www.johnsoncontrols.com