



Form S70-610 SPL (AUG 2005)

SERVICE PARTS LIST

File: SERVICE MANUAL - Section 70
Replaces: S70-610 SPL/NOV 2004
Dist: 3, 3a, 3b, 3c
Revised: August 28, 2006, p. 7

RWF II
ROTARY SCREW COMPRESSOR UNITS
WITH
QUANTUM™ LX CONTROL
MODELS: RWF II 100 — 1080

Please check www.frickcold.com for the latest version of this publication.

HOW TO USE SERVICE PARTS LIST

This Service Parts List is for standard Frick RWF II Rotary Screw Compressor Units, Models 100—1080. Units built with special options, modifications, or conversions are not taken into consideration.

This Service Parts List provides identification for detail parts by Figure and Index Number, Item Number and Description. To determine correct replacement item, locate item on Figure 1, 2, etc., note index number, refer to corresponding index number in parts list for item number and description. Quantity per assembly is located in QTY. column. Unit of measure is always "each" unless specified otherwise in Quantity column. When Ref. is in QTY. column, this means that the Item Number is for information only and is not necessarily a service replacement part. Contact Frick® Baltimore Parts Center for more information. REV. (Revision) column tells the level of the engineering drawing parts were taken from. The P & I REF. column gives the reference number of the item as shown on the Piping and Instrumentation drawing.

The Numerical Parts List can be used to locate a specific item in the Service Parts List. Look for the part by Frick Item Number and it will refer you to the Figure and Index Number where it is located.

Abbreviations found in this manual include:

A/R	As Required	SW	Socket Weld
HW	Hand Wheel	TSOC	Thermosyphon Oil Cooler
Ref.	Reference	WIL	Weld-In-Line
SC	Seal Cap	WCOC	Water Cooled Oil Cooler

The **Unit Data Plate** listing model/serial number etc., is attached to the frame below the compressor.

NOTE: PLEASE PROVIDE FRICK® ORDER NUMBER, UNIT MODEL NUMBER, AND UNIT SERIAL NUMBER WHEN REQUESTING A QUOTATION OR PLACING AN ORDER. FAILURE TO INCLUDE THIS INFORMATION MAY DELAY PROCESSING OF YOUR REQUEST.

TABLE OF CONTENTS

Figure 1a. Models 100-546 4

Figure 1b. Models 496-1080 4

Figure 1. General Arrangement, Typical..... 4

NOTE: See Pages 46-50 for compressor port locations and o-rings. 6

Figure 2. Screw Compressor, Typical (1913/1918 shown). 6

Figure 3. Oil Separator, Typical. 8

Figure 4. Oil Filter, Typical..... 12

Figure 5. Dual Oil Filters, Typical (100/134 shown). 14

Figure 6. Oil Cooler Piping, Typical, 100-399. 16

Figure 7. Oil Cooler Piping, Typical, 480. 20

Figure 7a. Liquid Injection, Single Port/Booster. 22

Figure 7b. Liquid Injection, Dual Port. 22

Figure 8. Liquid Injection. 22

Figure 9. Suction Stop Valve. 26

Figure 10. Discharge Stop/Check Valve, Current (Danfoss)..... 28

Figure 11. Multivalve, 12 x 14..... 30

Figure 12. Economizer. 32

Figure 13. Oil Pump. 34

This page left blank intentionally. 37

Figure 14. Coupling Assembly..... 38

Figure 15. Piping and Instrumentation, Typical..... 40

Figure 16. 1913/1918 Compressor Ports Locations..... 44

Figure 17. 2313/2317 Compressor Ports Locations..... 45

Figure 18. 2321 Compressor Ports Locations..... 46

Figure 19. 2813/2817 Compressor Ports Locations..... 47

Figure 20. 2821/2824 Compressor Ports Locations, Typical. 48

COMPRESSOR PORT O-RINGS..... 49

MISCELLANEOUS TUBING AND CONNECTORS 49

FRICK FLANGE GASKETS..... 49

FRICK COMPRESSOR OILS..... 50

FRICK BLUE PAINT..... 50

WIRING HARNESSES CHART 51

NUMERICAL PARTS LIST..... 52

RECOMMENDED SPARE PARTS - CURRENT DESIGN

NOTE: PLEASE PROVIDE FRICK® ORDER NUMBER, UNIT MODEL NUMBER, AND UNIT SERIAL NUMBER WHEN REQUESTING A QUOTATION OR PLACING AN ORDER. FAILURE TO INCLUDE THIS INFORMATION MAY DELAY PROCESSING OF YOUR REQUEST.

DESCRIPTION	QTY.	MODEL	ITEM NUMBER
UNIT:			
Temperature Probe, Element Less Well (TE-1—4)	1	ALL	639A0151H01
Transducer, Pressure, 0—200 PSIA (PE-4)	1	ALL	913A0124H01
Transducer, Pressure, 0—500 PSIA (PE-1—3)	1	ALL	913A0124H02
Coil, 120V 60Hz, 110V 50Hz, Yuken Solenoid Valve	2	ALL	951A0103H05
Coil, 220V 50Hz, 240V 60Hz, Yuken Solenoid Valve	2	ALL	951A0103H06
Seal Kit, Yuken Solenoid Valve	1	ALL	951A0102H20
Transmitter, Linear, Slide Valve (less well)	1	ALL	534D1251H03
Transmitter, Linear, Slide Stop (less well)	1	ALL	534C1478H02
Heater, Oil, 500W, 120V	1	ALL	913A0092G01
Heater, Oil, 1000W, 120V	1	ALL	913A0092G02
Heater, Oil, 500W, 240V	1	ALL	913A0092G03
Heater, Oil, 1000W, 240V	1	ALL	913A0092G04
Filter, Coalescing, Demistifier™	A/R	ALL	531B0099H01
Gasket, Manway For Coalescer	1	ALL	531A0105H04
Element, Oil Filter, SuperFilter™ II (Required for 1-2-3 Warranty)	A/R	ALL	531A0218H02
Gasket, End Cover For 531A0218H01 Above	A/R	ALL	959A0082H01
Gasket, Clamping Plate For 531A0218H01 Above	A/R	ALL	959A0053H01
Seal, Center for 531A0218H01 Above	A/R	ALL	900A0007H01
Shaft Seal Replacement Kit	1	100 & 134	534M0163G02
Shaft Seal Replacement Kit	1	177 - 270	534M0163G03
Shaft Seal Replacement Kit	1	316 - 480	534M0163G04
Shaft Seal Replacement Kit	1	496 - 1080	534M0163G05

Note: This list is based on one unit. When stocking for more than one unit, the quantity should be adjusted to meet your individual requirements.

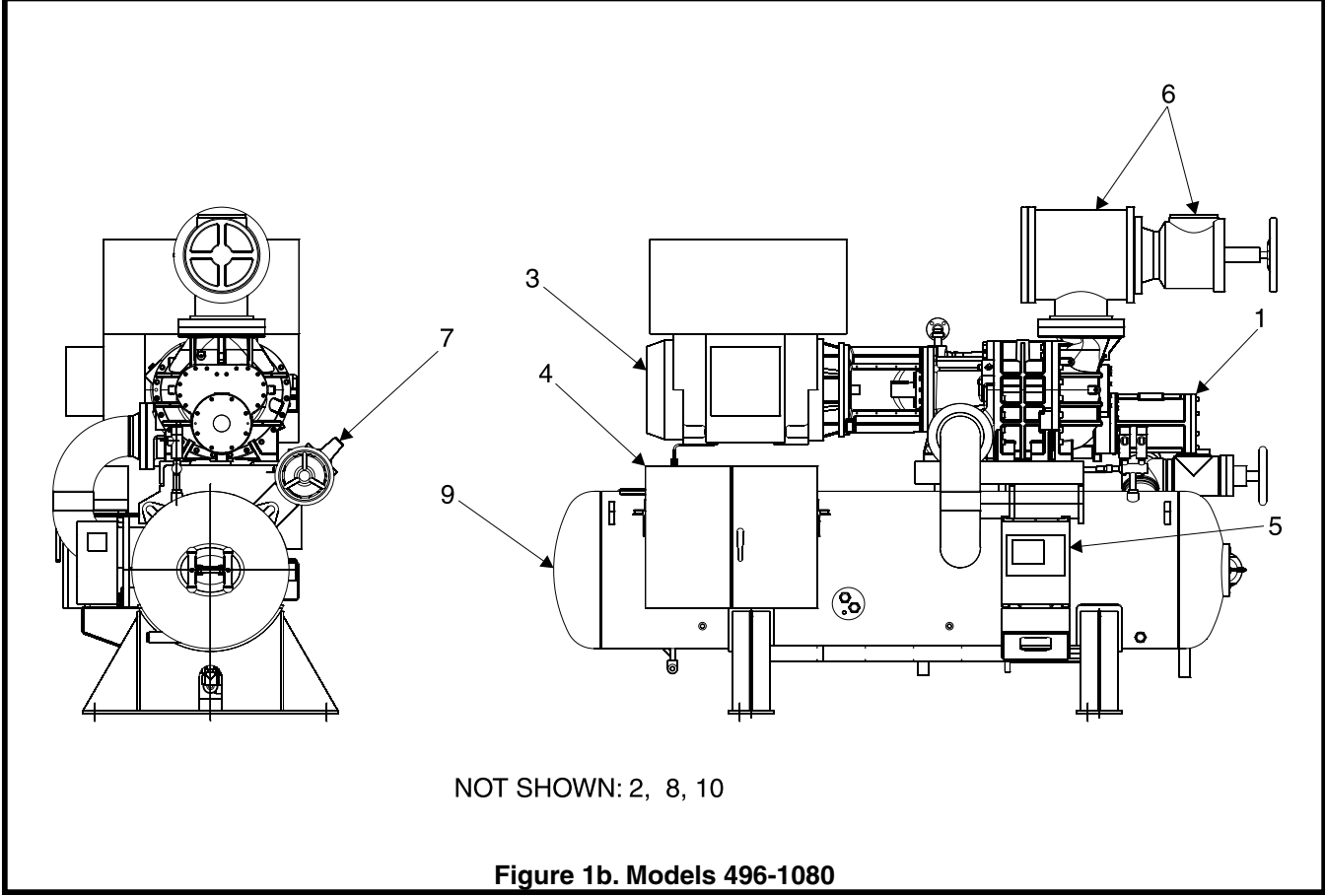
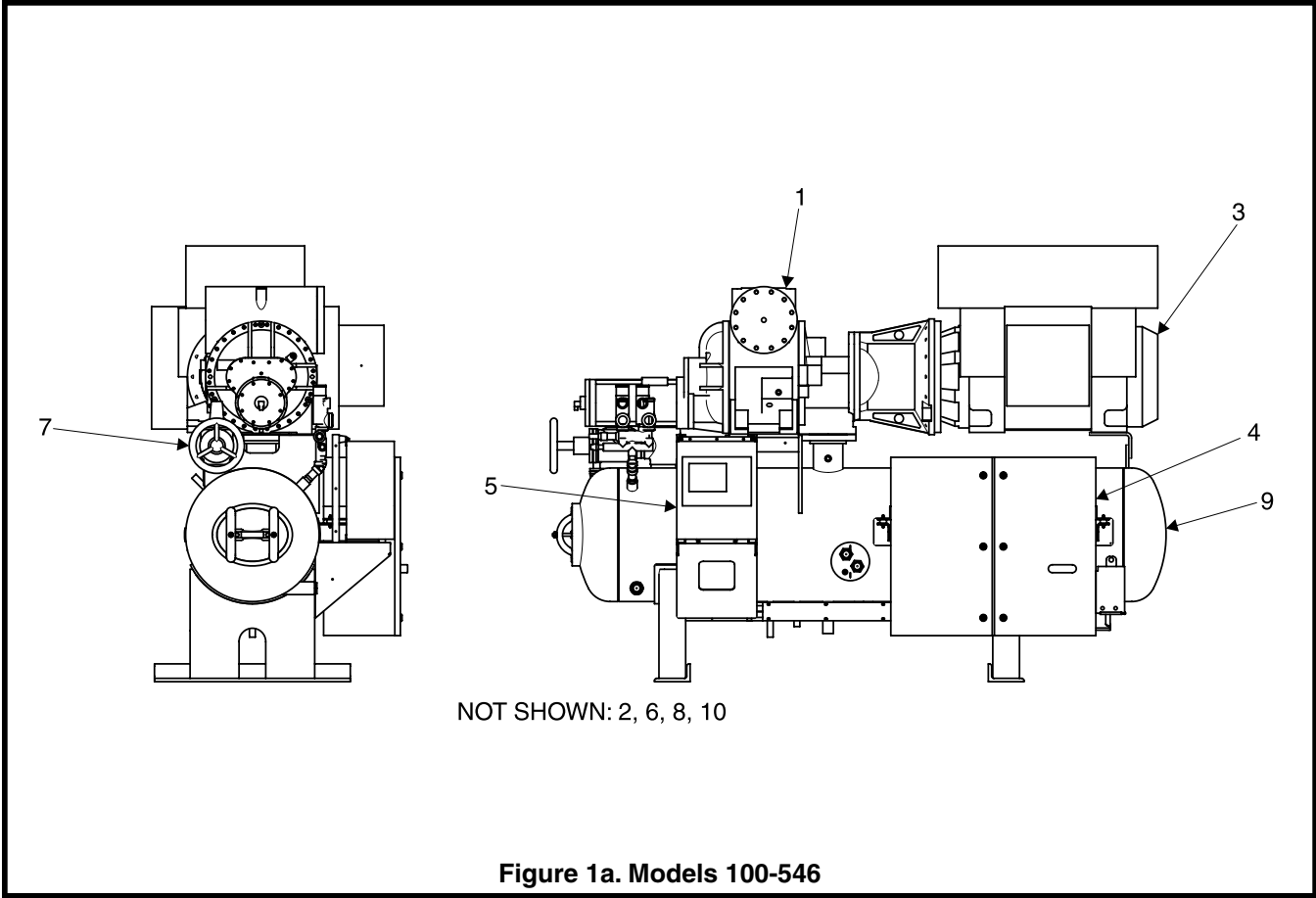
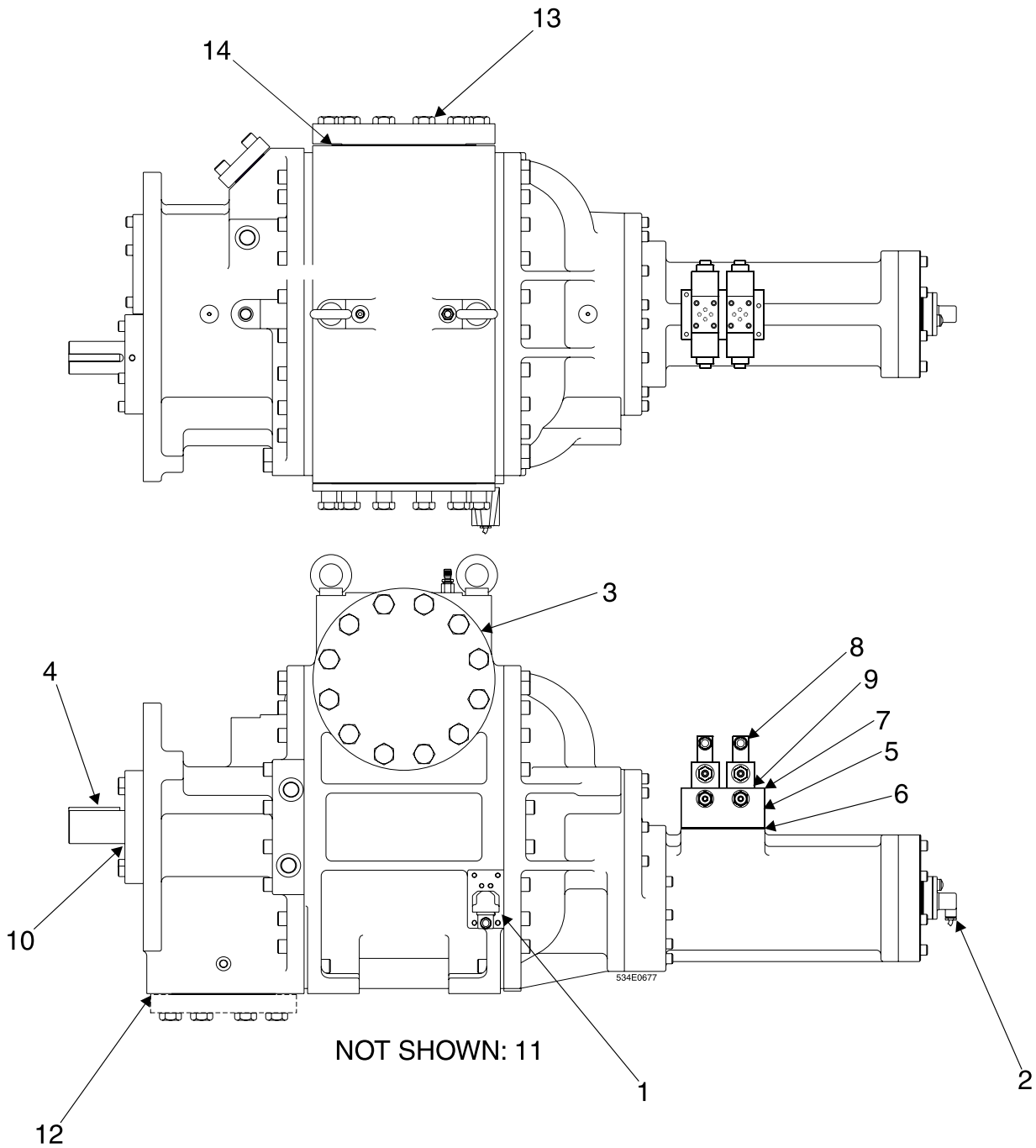


Figure 1. General Arrangement, Typical.

FIG. & INDEX	ITEM NUMBER	DESCRIPTION	QTY.	REV.	P & I REF.
1—	—	General Arrangement, RWF II 100 and 134	Ref.		
	—	General Arrangement, RWF II 177 and 222	Ref.		
	—	General Arrangement, RWF II 270	Ref.		
	—	General Arrangement, RWF II 316 and 399	Ref.		
	—	General Arrangement, RWF II 480	Ref.		
	—	General Arrangement, RWF II 546	Ref.		
—1	—	Compressor, SGC (See Fig. 2)	1		
—2	—	Coupling (See Fig. 14)	1		
—3	Contact Frick	Motor	1		
—4	Contact Frick	Starter, Solid State	1		
—5	640D0133G01	Control Panel, Quantum™ XL ⁽¹⁾	1		
—6	—	Valve Assbly, Danfoss, Suction, 5", w/flange (100)	Ref.		
	—	Valve Assbly, Danfoss, Suction, 6", w/flange (134-177)	Ref.		
	—	Valve Assbly, Danfoss, Suction, 6", w/flange (222)	Ref.		
	—	Valve Assbly, Danfoss, Suction, 8", w/flange (270-316)	Ref.		
	—	Valve Assbly, Danfoss, Suction, 10 x 8", w/flange (399-480)	Ref.		
	950A0240H10	Valve, Angle, Danfoss, 5", HW, WIL (See Fig. 9)	1		
	950A0240H11	Valve, Angle, Danfoss, 6", HW, WIL (See Fig. 9)	1		
	950A0240H12	Valve, Angle, Danfoss, 8", HW, WIL (See Fig. 9)	1		
	950A0283H01	Valve, Angle, Danfoss, 10", HW, WIL (See Fig. 9)	1		
	956A0050H03	Valve, Check, 5" (100)	1		
	956A0050H04	Valve, Check, 6" (134—222)	1		
	956A0050H05	Valve, Check, 8" (270 & 316)	1		
	956A0050H06	Valve, Check, 10" (399-480)	1		
	959A0054H31	Gasket, Flange, 5" (100)	1		
	959A0054H32	Gasket, Flange, 6" (134-177)	1		
	959A0054H32	Gasket, Flange, 6" (222)	1		
	959A0054H33	Gasket, Flange, 8" (222)	1		
	959A0054H33	Gasket, Flange, 8" (270-316)	1		
	959A0098H01	Gasket, Flange, 10" (399-480)	1		
	913A0110H01	Transducer, Pressure, 0—200 PSIA	1		
—7	582C0030G01	Valve Assbly, Disch. Stop/Check, 4" HW (High Stage)	1		
	582C0030G03	Valve Assbly, Disch. Stop/Check, 4" HW (Booster)	1		
	582C0031G01	Valve Assbly, Disch. Stop/Check, 5" HW (High Stage)	1		
	582C0031G03	Valve Assbly, Disch. Stop/Check, 5" HW (Booster)	1		
	582C0032G01	Valve Assbly, Disch. Stop/Check, 6" HW (High Stage)	1		
	582C0032G03	Valve Assbly, Disch. Stop/Check, 6" HW (Booster)	1		
	582C0033G01	Valve Assbly, Disch. Stop/Check, 8" HW (High Stage)	1		
	582C0033G03	Valve Assbly, Disch. Stop/Check, 8" HW (Booster)	1		
	950A0240H09	Valve, Angle, Stop, 4", HW (See Fig. 9)	1		
	950A0240H10	Valve, Angle, Stop, 5", HW (See Fig. 9)	1		
	950A0240H11	Valve, Angle, Stop, 6", HW (See Fig. 9)	1		
	950A0240H12	Valve, Angle, Stop, 8", HW (See Fig. 9)	1		
	956A0045H01	Valve, GVD Check, 4" (High Stage) (See Fig. 10)	1		
	956A0045H02	Valve, GVD Check, 4" (Booster) (See Fig. 10)	1		
	956A0046H01	Valve, GVD Check, 5" (High Stage) (See Fig. 10)	1		
	956A0046H02	Valve, GVD Check, 5" (Booster) (See Fig. 10)	1		
	956A0047H01	Valve, GVD Check, 6" (High Stage) (See Fig. 10)	1		
	956A0047H02	Valve, GVD Check, 6" (Booster) (See Fig. 10)	1		
	956A0048H01	Valve, GVD Check, 8" (High Stage) (See Fig. 10)	1		
	956A0048H02	Valve, GVD Check, 8" (Booster) (See Fig. 10)	1		
—8	—	Assembly, Filter, Oil, Single (See Fig. 4)	Ref.		
	—	Assembly, Filter, Oil, Dual (See Fig. 5)	Ref.		
—9	—	Assembly, Oil Separator (See Fig. 3)	Ref.		
—10	—	Oil Pump, 100 — 1080 (See Fig. 13)	Ref.		

1. See Quantum LX Maintenance S90-020M, Recommended Spare Parts



NOTE: See Pages 46-50 for compressor port locations and o-rings.

Figure 2. Screw Compressor, Typical (1913/1918 shown).

FIG. & INDEX	ITEM NUMBER	DESCRIPTION	QTY.	REV.	P & I REF.
2—	534E0672G01	Screw Compressor Assembly, SGC 1913 (RWF 100)	Ref.		
	534E0672G02	Screw Compressor Assembly, SGC 1918 (RWF 134)	Ref.		
	534E0697G01	Screw Compressor Assembly, SGC 2313 (RWF 177)	Ref.		
	534E0697G02	Screw Compressor Assembly, SGC 2317 (RWF 222)	Ref.		
	534E0708G02	Screw Compressor Assembly, SGC 2321 (RWF 270)	Ref.		
	534E0753G01	Screw Compressor Assembly, SGC 2813 (RWF 316)	Ref.		
	534E0753G02	Screw Compressor Assembly, SGC 2817 (RWF 399)	Ref.		
	534D1270G01	Screw Compressor Assembly, SGC 2821 (RWF 480)	Ref.		
—1	534C1478H01	Assembly, Transmitter, Linear* (Slide Stop)	1		
	534C1478H02	Transmitter, Linear (less well)	1		
	534C1314H01	Rod, Indicator, 1913, 1918, 2313, 2317, 2321	1		
	534C1314H02	Rod, Indicator, 2813, 2817, 2821	1		
	534A0032H02	Spring	1		
	980A0014K60	O-ring	1		
—2	534D1251H01	Assembly, Slide Valve Linear Transmitter*	1		
	534D1251H03	Transmitter, Linear (less well)	1		
—3	534C1264H01	Strainer, Suction, 1913	1		
	959A0054H31	Gasket, Flange, 1913	1		
	534C1264H02	Strainer, Suction, 1918 & 2313	2		
	959A0054H32	Gasket, Flange, 1918 & 2313	1		
	534C1264H03	Strainer, Suction, 2317 & 2321	1-3		
	959A0054H33	Gasket, Flange, 2317 & 2321	1		
	534C1264H05	Strainer, Suction, 2813	2		
	959A0054H33	Gasket, Flange, 2813	1		
	534C1264H04	Strainer, Suction, 2817, 2821	1		
	959A0054H34	Gasket, Flange, 2817, 2821	3		
—4	534A0662H02	Key, Square, 1913 & 1918	1		
	534A0662H03	Key, Square, 2313, 2317 & 2321	1		
	534A0662H04	Key, Square, 2813, 2817 & 2821	2		
—5	535E0116H01	Block, Manifold, Yuken	1		
	535E0116H11	Valve, Needle, Flow Regulator, Yuken	5		
—6	980A0012A61	O-ring, Manifold Block to Compressor, Yuken	4		
—7	901A0228H20	Capscrew, SH, (M6x1)x80mm, Manifold to Compressor	4		
—8	951A0103H01	Assembly, Valve, Yuken, 120V 60Hz, 110V 50Hz*	2		
	951A0103H05	Coil, Yuken, 120V 60Hz, 110V 50Hz	4		
	951A0103H02	Assembly, Valve, Yuken, 220V 50Hz, 240V 60Hz, 240V 50Hz*	2		
	951A0103H06	Coil, Yuken, 220V 50Hz, 240V 60Hz	4		
—9	951A0102H20	Seal Kit, Valve, Yuken	2		
—10	534M0163G02	Kit, Shaft Seal, 1913 & 1918	1		
	534M0163G03	Kit, Shaft Seal, 2313, 2317 & 2321	1		
	534M0163G04	Kit, Shaft Seal, 2813, 2817 & 2821	1		
	534M0163G05	Kit, Shaft Seal, 3511, 3515, 3519	1		
—11	913A0110H02	Transducer, Pressure, 0—500 PSIA	1		PE-3
—12	959A0054H30	Gasket, Discharge, 1913 & 1918	1		
	959A0054H32	Gasket, Discharge, 2313, 2317, 2321	1		
	959A0054H33	Gasket, Discharge, 2813 & 2817	1		
—13	901A0206H09	Capscrew, Hex Head, (M20x2.5)x65mm, 193-233	A/R		
	901A0192H06	Capscrew, Hex Head, (M22x2.5)x75mm, 233 (2317-2813)	A/R		
	901A0207H10	Capscrew, Hex Head, (M24x3.0)x90mm, 283 (2817-2821)	A/R		
—14	959A0054H31	Gasket, 193	2		
	959A0054H32	Gasket, 193-233 (2313)	1-3		
	959A0054H33	Gasket, 233 & 283 (2317-2817)	2		
	959A0054H34	Gasket, 283 (2817-2821)	2		

* Mounting hardware comes with valve assembly. DIN Cable Connector: 649A0890H01. DIN Gasket: 649A0890H11

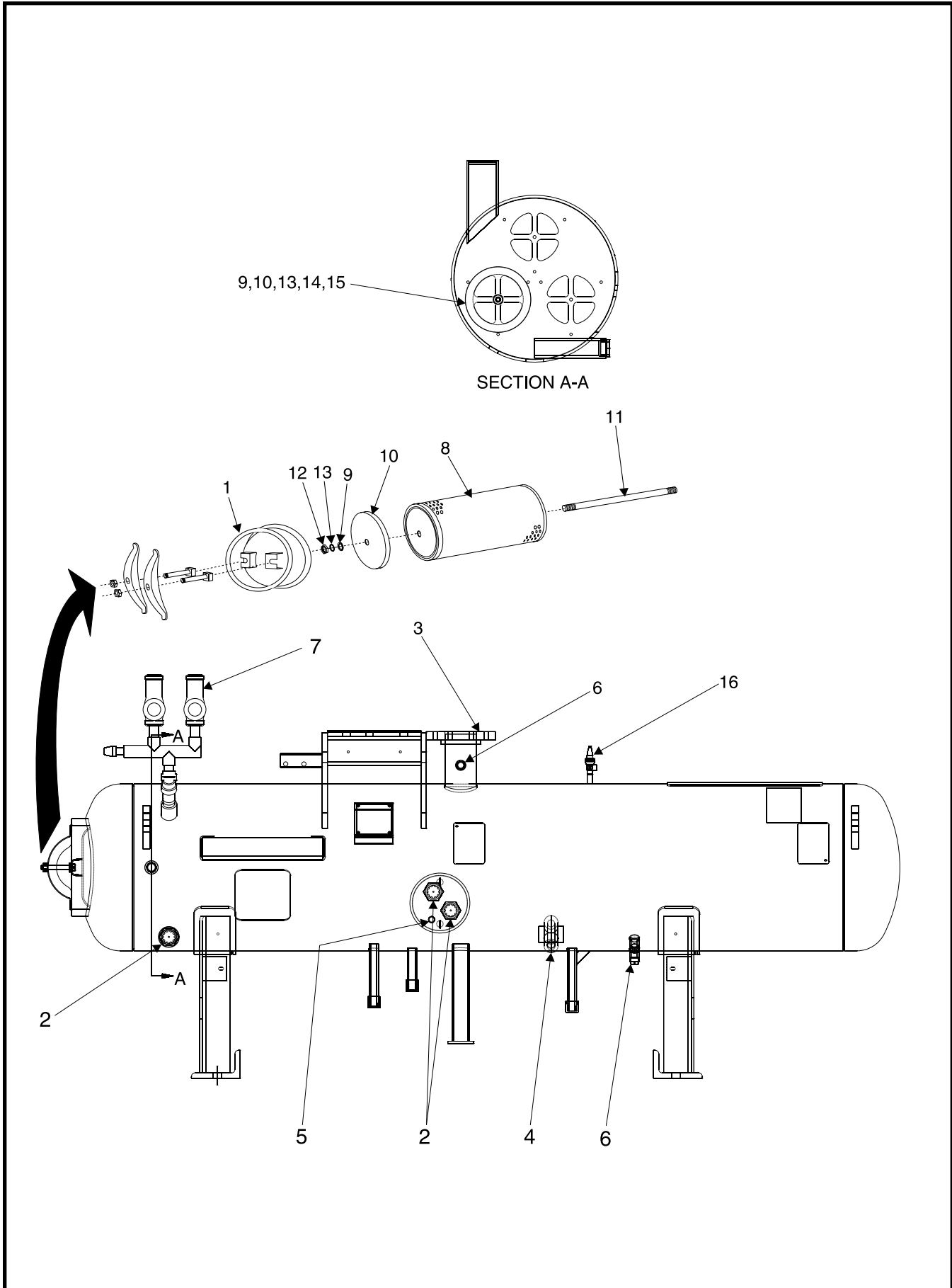


Figure 3. Oil Separator, Typical.

FIG. & INDEX	ITEM NUMBER	DESCRIPTION	QTY.	REV.	P & I REF.
3—	548E0387	Assembly, Oil Separator, 24 x 118 3/8", 100 & 134	Ref.		
	548E0388	Assembly, Oil Separator, 30 x 132 5/8", 177 & 222	Ref.		
	548E0389	Assembly, Oil Separator, 36 x 160 1/2", 270	Ref.		
	548E0390	Assembly, Oil Separator, 36 x 160 1/2", 316 & 399	Ref.		
	548E0391	Assembly, Oil Separator, 42 x 192 13/16", 480	Ref.		
—1	531A0105H04	Gasket, Manway, 12 x 16"	1		
—2	947A0003H05	Sightglass, Ball Float, Red	3		
—3	959A0054H30	Gasket, Compressor to Separator, 100 & 134	1		
	959A0054H32	Gasket, Compressor to Separator, 177—270	1		
	959A0054H33	Gasket, Compressor to Separator, 316 & 480	1		
—4	913A0092G02	Assembly, Oil Heater, 1000W/120V	3		
	913A0047H02	Heater, Oil, 1000W/120V	3		
	333Q0001810	Connector, DIN	3		
	913A0092G04	Assembly, Oil Heater, 1000W/240V	3		
	913A0047H04	Heater, Oil, 1000W/240V	3		
	333Q0001810	Connector, DIN	3		
—5	913A0123H01	Assembly, Switch, Oil Level Sensing, 24V	1		
	913A0123H11	Sensor Probe less Well	1		
	913A0123H12	Well only	1		
—6	639A0151G01	Assembly, Temperature Sensor	4		
	639A0151H01	Temperature Sensor Probe, less Well	1		
	913A0098H01	Well, with cap	1		
	913A0100H01	Thermal Compound	A/R		
—7	720M0316G01	Assembly, Dual Safety Valve, 1/2", 100—480	1		
	955B0005H01	Manifold, Valve, 1/2"	1		
	952A0051H10	Valve, Safety, 1/2 x 1" FPT, Shank 813, 300 PSIG	2		
	720M0316G02	Assembly, Dual Safety Valve, 3/4", 222—480	1		
	955B0005H02	Manifold, Valve, 3/4"	1		
	952A0052H10	Valve, Safety, 3/4 x 1-1/4" FPT, Shank 814, 300 PSIG	2		
	720M0316G03	Assembly, Dual Safety Valve, 1", 399—480	1		
	955B0005H03	Manifold, Valve, 1"	1		
	952A0053H10	Valve, Safety, 1 x 1-1/2" FPT, Shank 815, 300 PSIG	2		
	580C0404G07	Assembly, Dual Safety Valve, 1", 480	1		
	955B0001H02	Manifold, 1-1/4 PIPE x 1" FPT	1		
	952A0055H07	Valve, Safety, 1 x 2" NPT, Shank 851, 300 PSIG	2		
	580C0407G07	Assembly, Dual Safety Valve, 1-1/2"	1		
	955B0002H02	Manifold, 2" PIPE x 1-1/2 FPT	1		
	952A0058H07	Valve, Safety, 1-1/2 x 2" FPT, Shank 903, 300 PSIG	2		
—8	531B0099H01	Filter, Coalescing, Demistifier™, 100 & 134	2-3		
	531B0099H01	Filter, Coalescing, Demistifier™, 177 & 222	3-4		
	531B0099H01	Filter, Coalescing, Demistifier™, 270—399	4-5		
	531B0099H01	Filter, Coalescing, Demistifier™, 480 & 496 ⁽¹⁾	5-6		
	531B0099H01	Filter, Coalescing, Demistifier™, 676 ⁽¹⁾	8-9		
	531B0099H01	Filter, Coalescing, Demistifier™, 856 & 1080 ⁽¹⁾	11		

1. Quantity of coalescing filters may be different, depending on operating conditions of your unit.

RWF II ROTARY SCREW COMPRESSOR UNIT
SERVICE PARTS LIST



FIG. & INDEX	ITEM NUMBER	DESCRIPTION	QTY.	REV.	P & I REF.
—9	540D0217H06	Washer, Seal	1 per		
—10	540D0217G02	Retainer, Filter (end plate)	1 per		
—11	540D0217G03	Stud 1/2-13NC x 37"	1 per		
—12	902A0021H01	Nut, Hex 1/2-13NC	1 per		
—13	905A0012H05	Washer 1/2"	1 per		
—14	901A0045D04	Capscrew, Hex Head, 1/4 x 1-1/4"	1 per		
—15	959A0100H01	Gasket, 9-3/8" OD (for unused coalescer filter opening)	1 per		
—16	950A0237H03	Valve, Angle, 1" Threaded, SC (oil fill)	1		
	950A0232H22	Kit, Spare Parts, Complete	1		
	950A0232H32	Kit, Spare Parts, Packing Gland Assbly.	1		



RWF II ROTARY SCREW COMPRESSOR UNIT
SERVICE PARTS LIST

S70-610 SPL AUG '05
Page 11

This page left blank intentionally.

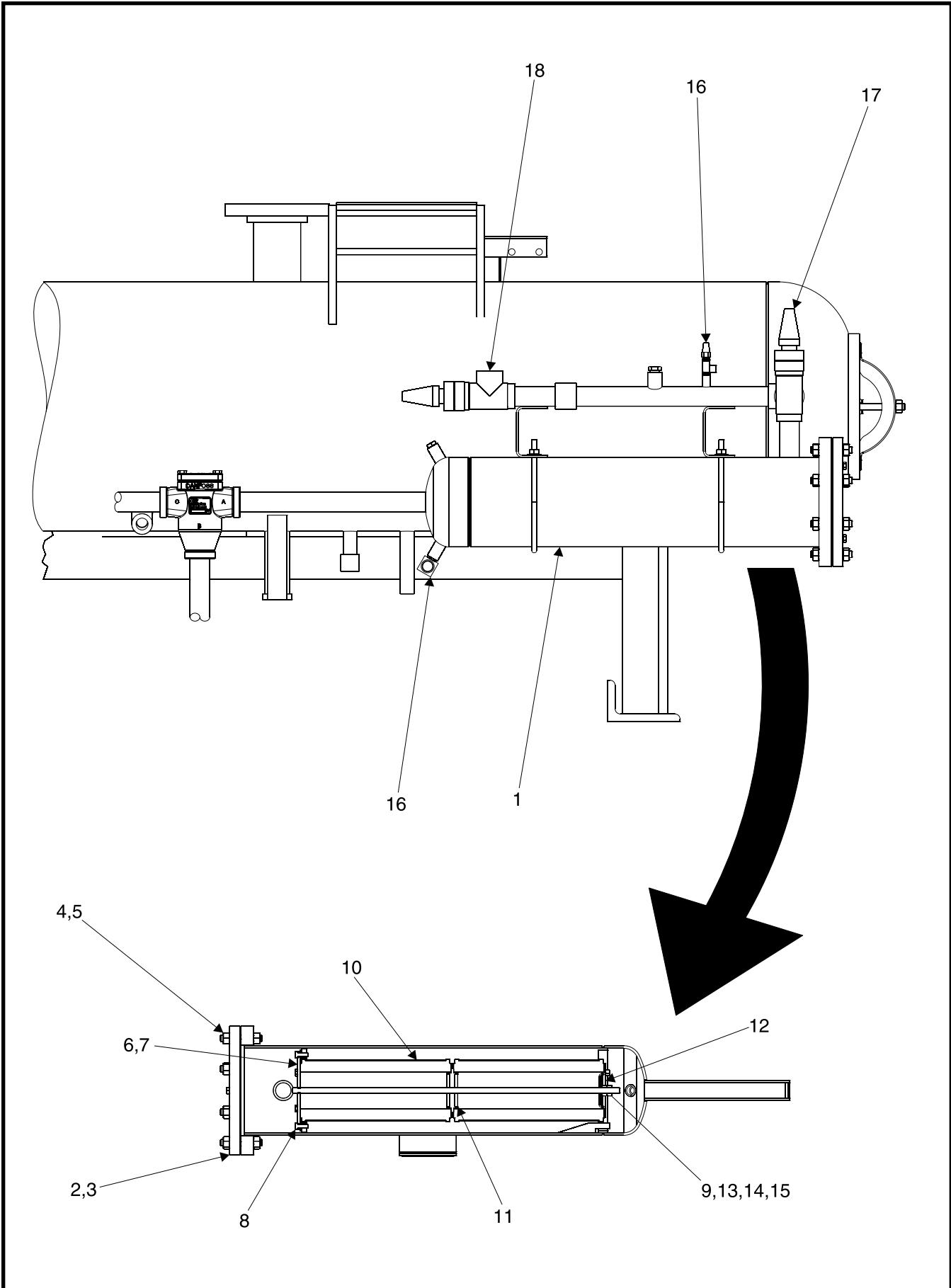


Figure 4. Oil Filter, Typical.

FIG. & INDEX	ITEM NUMBER	DESCRIPTION	QTY.	REV.	P & I REF.
4—	720M0312	Assembly, Single Oil Filter, 100 & 134	Ref.		
	720M0328	Assembly, Single Oil Filter, 177 & 222	Ref.		
	720M0335	Assembly, Single Oil Filter, 270—399	Ref.		
	720M0357	Assembly, Single Oil Filter, 480 & 546	Ref.		
	720M0301	Assembly, Single Oil Filter, 496 & 676	Ref.		
	720M0285	Assembly, Single Oil Filter, 856, 1080	Ref.		
—1	553E0013	Assembly, Filter, 100 & 134 (1-1/2" - 2 Element)	1		
	553E0015	Assembly, Filter, 177 & 222 (2" - 2 Element)	1		
	553E0014	Assembly, Filter, 270—480 (2-1/2" - 3 Element)	1		
—2	959A0082H01	Gasket	1		
—3	553A0001H01	Cover, End	1		
—4	901A0098H11	Stud, 5/8-11 x 4"	8		
—5	902A0021H03	Nut, 5/8-11 UNC	16		
—6	535A0144H01	Plate, Clamping	1		
—7	959A0053H01	Gasket	1		
—8	901A0043D05	Capscrew, Hex Head, 3/8-16 x 1"	6		
—9	333Q0001268	Rod, Threaded, 1/2-13 x 31-1/2"	1		
—10	531A0218H02	Element, SuperFilter™ II (Required for 1-2-3 Warranty)	2-3		
—11	900A0007H01	Seal, Center	1-2		
—12	900A0008H01	Yoke, Bottom	1		
—13	905A0007H05	Washer, Flat, 1/2"	1		
—14	333Q0001237	Washer, Starlock, 1/2"	1		
—15	902A0021H01	Nut, 1/2-13 UNC	2		
—16	950A0292H01	Valve, Angle, Danfoss, SC, 1/4" NPT	2		
	913A0124H02	Transducer, Pressure, 0—500 PSIA	2		PE-1,2
—17	950A0233H05	Valve, Angle, Danfoss, SC, 1-1/2" SW, 100 & 134	1		
	950A0232H22	Valve Repair Kit, Complete	1		
	950A0233H06	Valve, Angle, Danfoss, SC, 2" SW, 177 & 222	1		
	950A0232H23	Valve Repair Kit, Complete	1		
	950A0241H07	Valve, Angle, Danfoss, SC, 2-1/2" BW, 270—480	1		
	950A0240H24	Valve Repair Kit, Complete	1		
—18	954A0062H03	Valve, Angle, SC, Hand Exp., 1" SW, 100—222	1		
	954A0062H04	Valve, Angle, SC, Hand Exp., 1-1/4" SW, 270—480	1		
	956A0063H05	Valve, Angle, SC, Hand Exp., 1-1/2" SW, 496—1080	1		

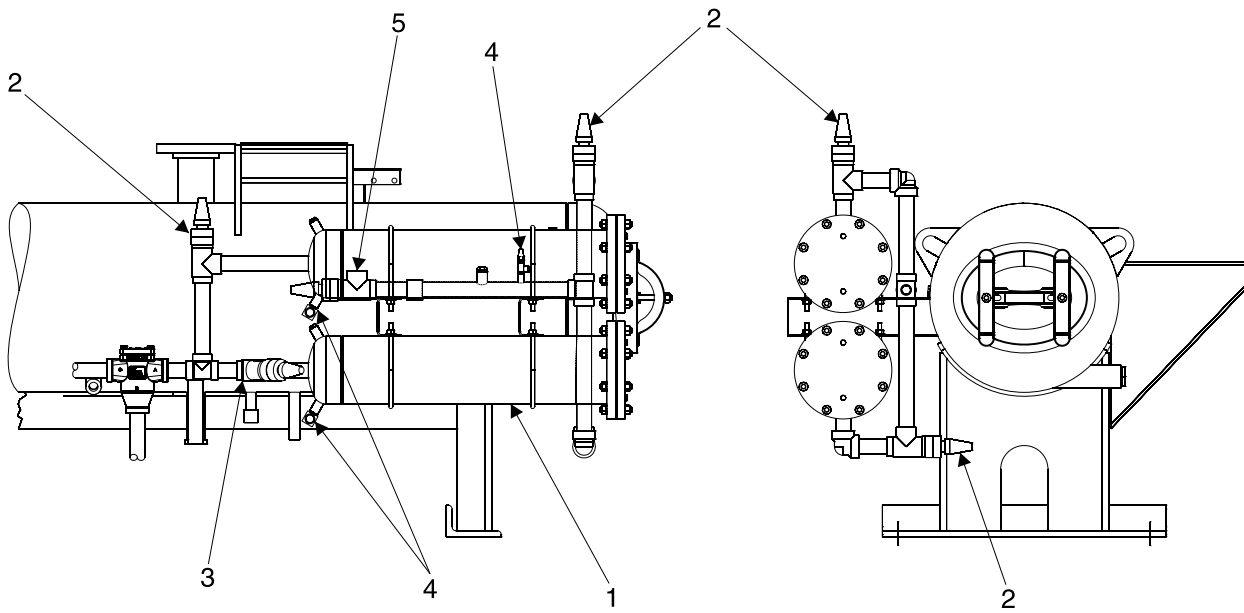


Figure 5. Dual Oil Filters, Typical (100/134 shown).

FIG. & INDEX	ITEM NUMBER	DESCRIPTION	QTY.	REV.	P & I REF.
5—	720M0311	Dual Oil Filters, 100 and 134	Ref.		
	720M0329	Dual Oil Filters, 177 and 222	Ref.		
	720M0336	Dual Oil Filters, 270—399	Ref.		
	720M0356	Dual Oil Filters, 480 & 546	Ref.		
	720M0302	Dual Oil Filters, 496 & 676	Ref.		
	720M0286	Dual Oil Filters, 856, 1080	Ref.		
—1	553E0013	Assembly, Filter, 100 & 134 (See Figure 4)	2		
	553E0015	Assembly, Filter, 177 & 222 (See Figure 4)	2		
	553E0014	Assembly, Filter, 270—480 (See Figure 4)	2		
—2	950A0233H05	Valve, Angle, Danfoss, SC, 1-1/2" SW, 100 & 134	1		
	950A0232H22	Valve Repair Kit, Complete	1		
	950A0233H06	Valve, Angle, Danfoss, SC, 2" SW, 177 & 222	1		
	950A0232H23	Valve Repair Kit, Complete	1		
	950A0241H07	Valve, Angle, Danfoss, SC, 2-1/2" BW, 270—480	1		
	950A0240H24	Valve Repair Kit, Complete	1		
—3	950A0245H05	Valve, Globe, Danfoss, SC, 1-1/2" SW, 100 & 134	1		
	950A0232H22	Valve Repair Kit, Complete	1		
	950A0245H06	Valve, Globe, Danfoss, SC, 2" SW, 177 & 222	1		
	950A0232H23	Valve Repair Kit, Complete	1		
	950A0253H07	Valve, Globe, Danfoss, SC, 2-1/2" BW, 270—480	1		
	950A0240H24	Valve Repair Kit, Complete	1		
—4	950A0292H01	Valve, Angle, Danfoss, SC, 1/4" NPT	2		
	913A0124H02	Transducer, Pressure, 0—500 PSIA	2		
—5	954A0062H03	Valve, Angle, SC, Danfoss, Hand Exp., 1" SW, 100-222	1		
	954A0062H28	Valve Repair Kit, Complete	1		
	954A0062H04	Valve, Angle, SC, Danfoss, Hand Exp., 1-1/4" SW, 270-480	1		
	954A0062H29	Valve Repair Kit, Complete	1		

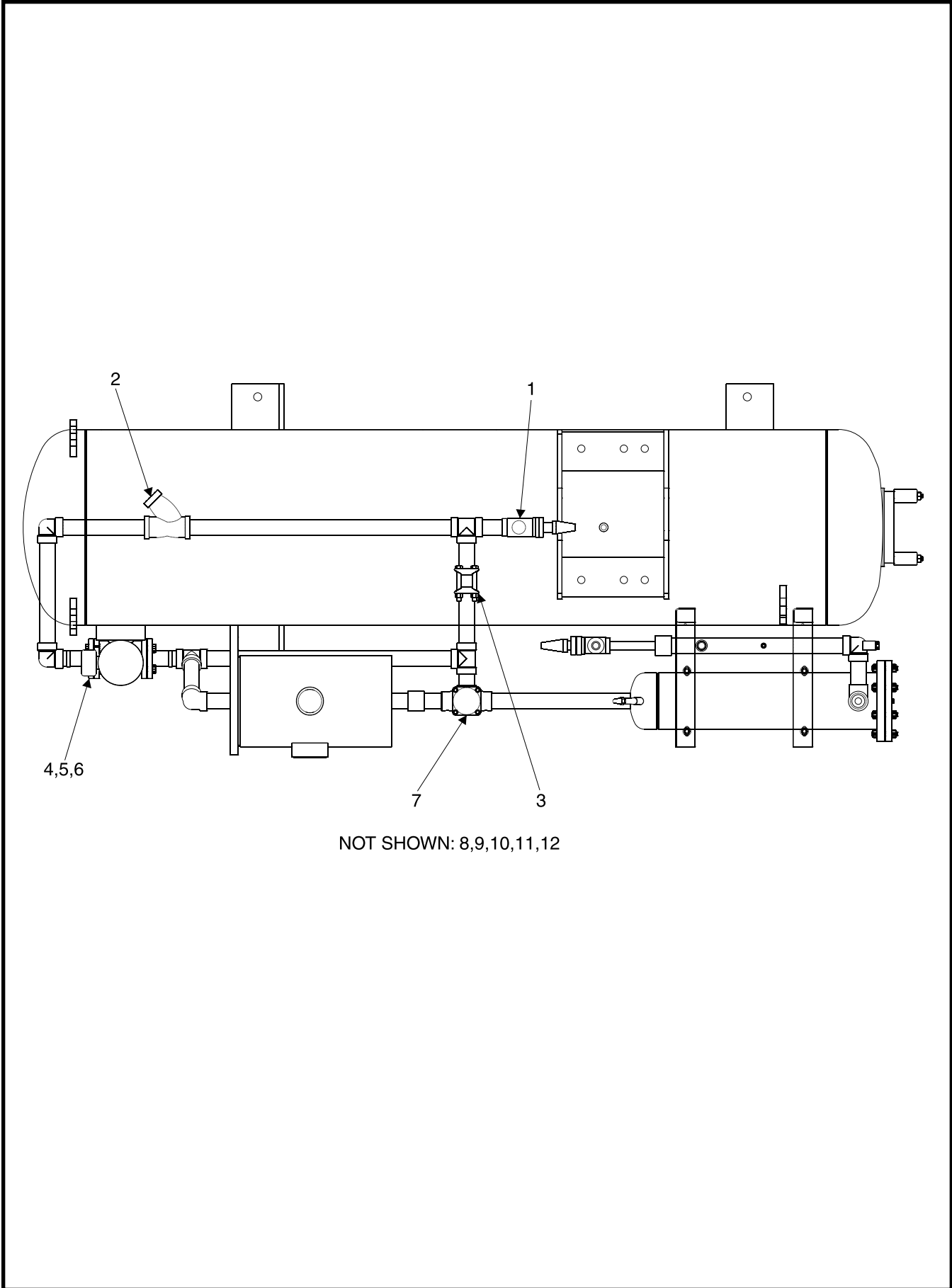


Figure 6. Oil Cooler Piping, Typical, 100-399.

FIG. & INDEX	ITEM NUMBER	DESCRIPTION	QTY.	REV.	P & I REF.
6—	720M0309G01	116 Plate Oil Cooler w/Temp. Control Valve, 100-134	Ref.		
	720M0309G02	66 Plate Oil Cooler w/Temp. Control Valve, 100-134	Ref.		
	720M0310G01	116 Plate Oil Cooler w/Pump & Temp. Control Valve, 100-134	Ref.		
	720M0310G02	66 Plate Oil Cooler w/Pump & Temp. Control Valve, 100-134	Ref.		
	720M0326G01	190 Plate Oil Cooler w/Pump & Temp. Control Valve, 177-222	Ref.		
	720M0326G02	66 Plate Oil Cooler w/Pump & Temp. Control Valve, 177-222	Ref.		
	720M0327G01	190 Plate Oil Cooler w/Temp. Control Valve, 177-222	Ref.		
	720M0327G02	66 Plate Oil Cooler w/Temp. Control Valve, 177-222	Ref.		
	720M0346G01	288 Plate Oil Cooler w/Pump & Temp. Control Valve, 270	Ref.		
	720M0346G02	66 Plate Oil Cooler w/Pump & Temp. Control Valve, 270	Ref.		
	720M0347G01	288 Plate Oil Cooler w/Temp. Control Valve, 270	Ref.		
	720M0347G02	66 Plate Oil Cooler w/Temp. Control Valve, 270	Ref.		
	720M0339G01	136 Plate Oil Cooler w/Pump & Temp. Control Valve, 316-399	Ref.		
	720M0339G02	56 Plate Oil Cooler w/Pump & Temp. Control Valve, 316-399	Ref.		
	720M0340G01	136 Plate Oil Cooler w/Temp. Control Valve, 316-399	Ref.		
	720M0340G02	56 Plate Oil Cooler w/Temp. Control Valve, 316-399	Ref.		
—1	950A0233H06	Valve, Angle, Danfoss, Shutoff, 2" SW, SC	1		
	950A0241H07	Valve, Angle, Danfoss, Shutoff, 2-1/2" BW, SC	1		
—2	950A0069H07	Strainer, 1-1/2", SW	1		
	950A0069H25	Gasket, Strainer, 1-1/2 & 2"	1		
	950A0069H37	Screen, Strainer, 1-1/2"	1		
	950A0069H08	Strainer, 2", SW	1		
	950A0069H25	Gasket, Strainer, 1-1/2 & 2"	1		
	950A0069H38	Screen, Strainer, 2"	1		
	950A0292H01	Valve, Angle, SC, 1/4" NPT	1		
	950A0001H07	Strainer, 2-1/2", SW	1		
	950A0001H26	Kit, Screen, Strainer, 2-1/2"	1		
	950A0001H35	Gasket, Flange	2		
	—3	956A0012G03	Valve, Check, 1-1/2" SW	1	
956A0012G10		Valve, Check, 2" SW	1		
956A0012G05		Valve, Check, 2-1/2" SW	1		
—4	944A0108H05	Flange, 1-1/2" SW, 300#	2		
	944A0108H07	Flange, 2-1/2" SW, 300#	2		
	944A0108H08	Flange, 3" SW, 300#	2		
—5	959A0054H25	Gasket, 1-1/2" SW, 300# Flange	2		
	959A0054H27	Gasket, 2-1/2" SW, 300# Flange	2		
	959A0054H28	Gasket, 3" SW, 300# Flange	2		
—6	901A0172H03	Kit, Flange Bolt, 1-1/2", 300#	2		
	901A0172H05	Kit, Flange Bolt, 2-1/2", 300#	2		
	901A0172H06	Kit, Flange Bolt, 3", 300#	2		
—7	950A0294H01	Valve, Temperature Control, 1-1/2"	1		
	950A0294H11	Kit, Service, Temperature Control Valve, 1-1/2 & 2"*	1		
	950A0294H02	Valve, Temperature Control, 2"	1		
	950A0294H11	Kit, Service, Temperature Control Valve, 1-1/2 & 2"*	1		
	950A0297H01	Valve, Temperature Control, 2-1/2"	1		
	950A0297H11	Kit, Service, Temperature Control Valve, 2-1/2"*	1		

* Kit includes thermostat and gasket

RWF II ROTARY SCREW COMPRESSOR UNIT
SERVICE PARTS LIST



FIG. & INDEX	ITEM NUMBER	DESCRIPTION	QTY.	REV.	P & I REF.
—8	950A0075H06	Strainer, 2", 150# Flange, WCOC	1		
	950A0075H26	Screen, 2" Strainer	1		
	950A0075H46	Gasket, 2" Strainer	1		
	950A0075H08	Strainer, 3", 150# Flange, WCOC	1		
	950A0075H28	Screen, 3" Strainer	1		
	950A0075H48	Gasket, 3" Strainer	1		
	950A0075H09	Strainer, 4", 150# Flange, WCOC	1		
	950A0075H29	Screen, 4" Strainer	1		
	950A0075H49	Gasket, 4" Strainer	1		
—9	944A0126H06	Flange, 2", SW, 150#, WCOC	2		
	944A0126H08	Flange, 3", SW, 150#, WCOC	2		
	944A0126H10	Flange, 4", SW, 150#, WCOC	2		
—10	959A0054H06	Gasket, Flange, Strainer, 2", WCOC	2		
	959A0054H08	Gasket, Flange, Strainer, 3", WCOC	2		
	959A0054H10	Gasket, Flange, Strainer, 4", WCOC	2		
—11	901A0046D08	Capscrew, Hex Head, 5/8 x 2-3/4" (2" Flange)	16		
	901A0046D09	Capscrew, Hex Head, 5/8 x 3" (3" Flange)	16		
	901A0046D09	Capscrew, Hex Head, 5/8 x 3" (4" Flange)	16		
—12	902A0021H03	Nut, Hi-tensile, 5/8-11"	16		



**RWF II ROTARY SCREW COMPRESSOR UNIT
SERVICE PARTS LIST**

**S70-610 SPL AUG '05
Page 19**

This page left blank intentionally.

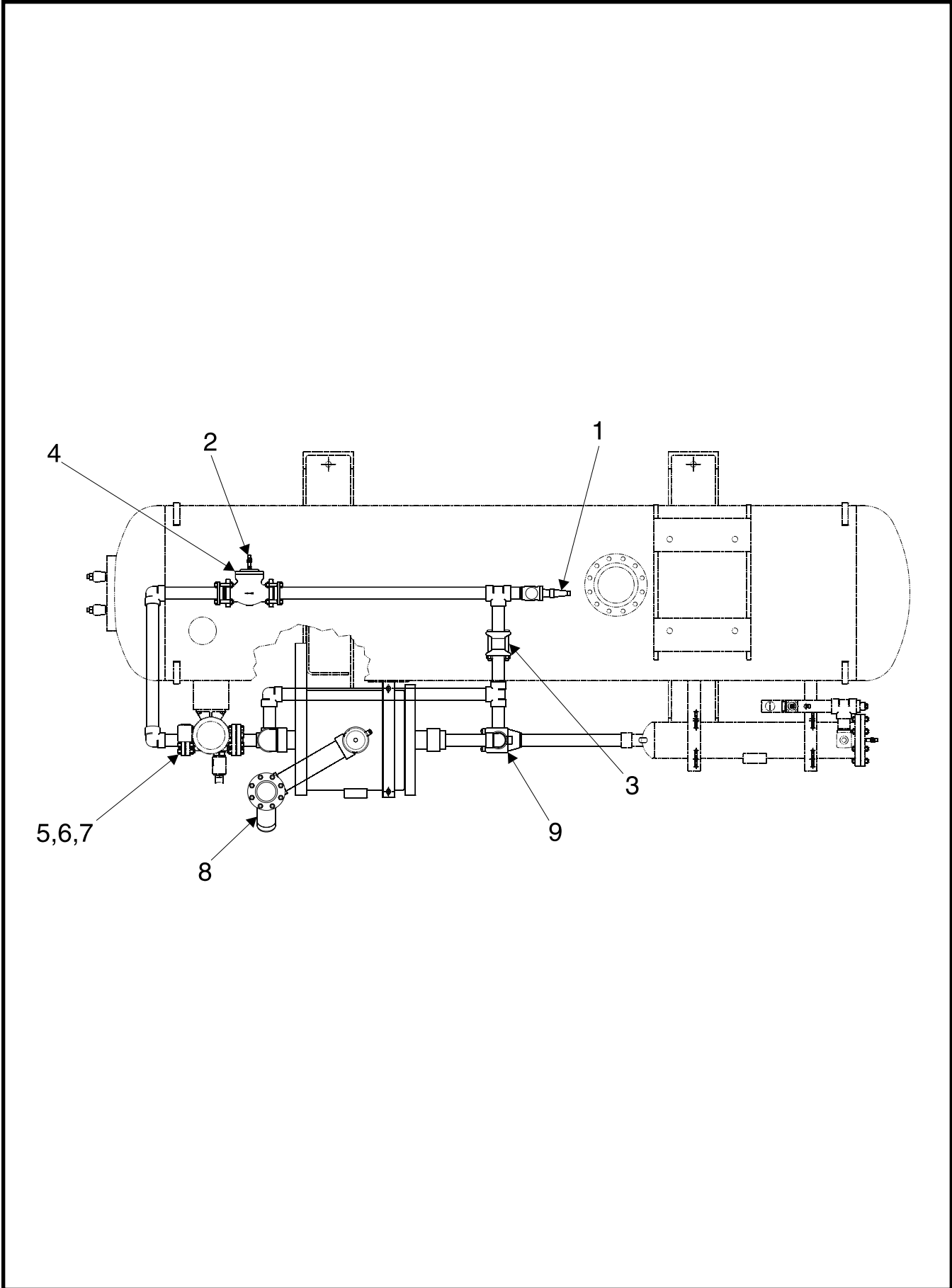


Figure 7. Oil Cooler Piping, Typical, 480.

FIG. & INDEX	ITEM NUMBER	DESCRIPTION	QTY.	REV.	P & I REF.
7—	720M0353G01	188 Plate Oil Cooler w/Temp. Control Valve, 480	Ref.		
	720M0353G02	72 Plate Oil Cooler w/Temp. Control Valve, 480	Ref.		
	720M0354G01	188 Plate Oil Cooler w/Pump & TCV, 480	Ref.		
	720M0354G02	72 Oil Cooler w/Pump & TCV, 480	Ref.		
—1	950A0241H07	Valve, Angle, Danfoss, 2-1/2", BW, SC	1		
	950A0240H24	Valve Repair Kit, Complete	1		
—2	950A0292H01	Valve, Angle, Henry, 1/4" MPT x FPT, SC	1		
—3	956A0012G05	Valve, Check, R/S, 2-1/2", SW	1		
—4	950A0001H07	Strainer, 2-1/2", SW, R/S	1		
	950A0001H26	Screen Kit, Consisting of Screen, Spring, & Gasket	1		
—5	944A0108H07	Flange, 2-1/2", SW, 300#	2		
—6	959A0054H27	Gasket, 2-1/2", SW, 300# Flange	2		
—7	901A0172H05	Kit, Flange, Bolt, 2-1/2", 300#	2		
—8	720C0068G01	Strainer Assembly, 3", WCOC	1		
	950A0075H08	Strainer, 3", 150# Flange, WCOC	1		
	950A0075H28	Screen, 3" Strainer	1		
	950A0075H48	Gasket, 3" Strainer	1		
	944A0126H08	Flange, 3", 150#	2		
	959A0054H08	Gasket, 3" Flange	2		
	901A0046D09	Capscrew, Hex Head, 5/8 x 3"	16		
	902A0021H03	Nut, Hi-Tensile, 5/8-11	16		
	720C0067G01	Strainer Assembly, 4", WCOC	1		
	950A0075H09	Strainer, 4", 150# Flange, WCOC	1		
	950A0075H29	Screen, 4" Strainer	1		
	950A0075H49	Gasket, 4" Strainer	1		
	944A0126H10	Flange, 4", 150#	2		
	959A0054H10	Gasket, 4" Flange	2		
	901A0046D09	Capscrew, Hex Head, 5/8 x 3"	16		
	902A0021H03	Nut, Hi-Tensile, 5/8-11	16		
—9	950A0294H02	Valve, Temperature Control, 2" SW	1		
	950A0294H11	Kit, Service, Temperature Control Valve, 1-1/2 & 2" *	1		
	950A0297H01	Valve, Temperature Control, 2-1/2" SW	1		
	950A0297H11	Kit, Service, Temperature Control Valve, 2-1/2" *	1		

* Kit includes thermostat and gasket

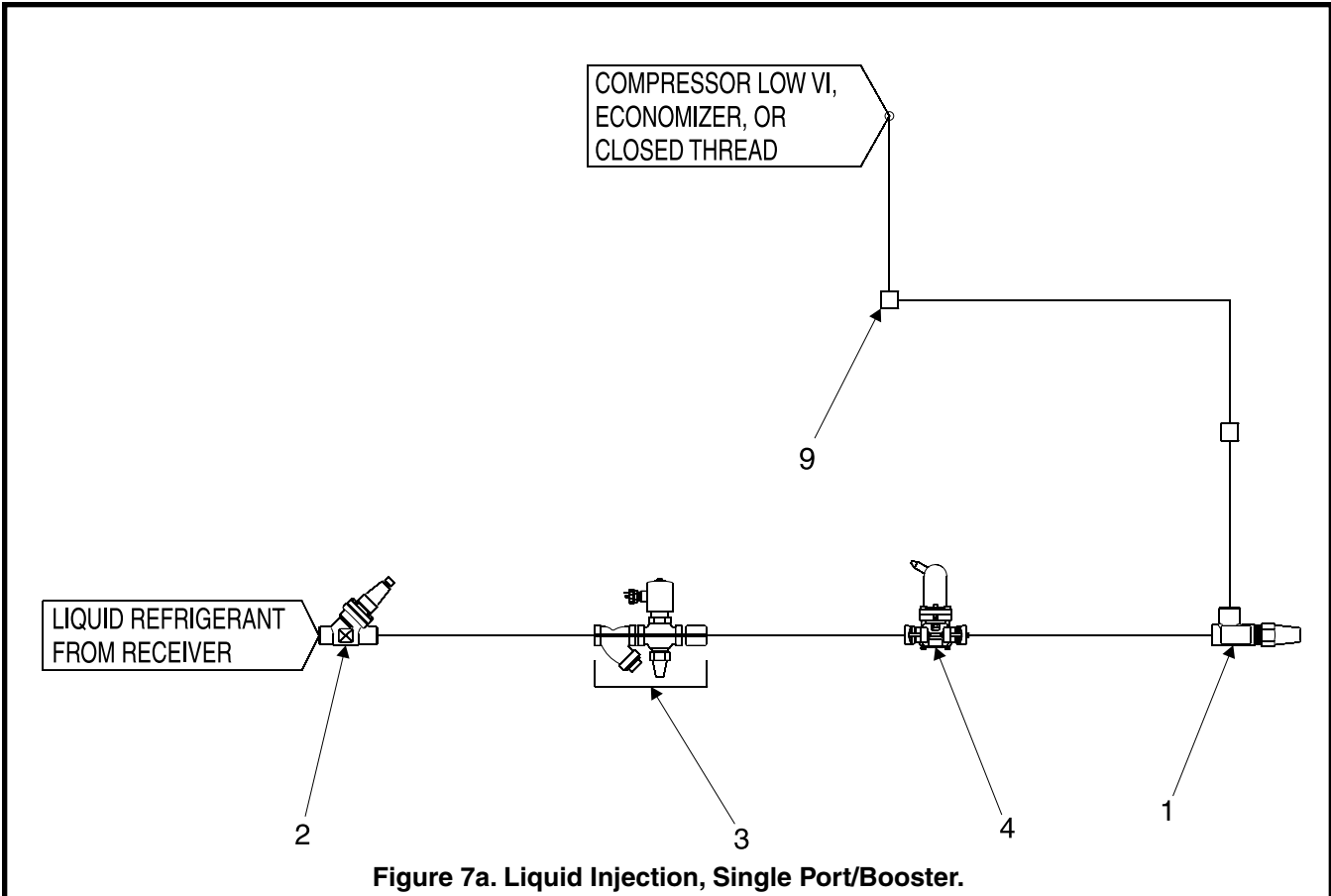


Figure 7a. Liquid Injection, Single Port/Booster.

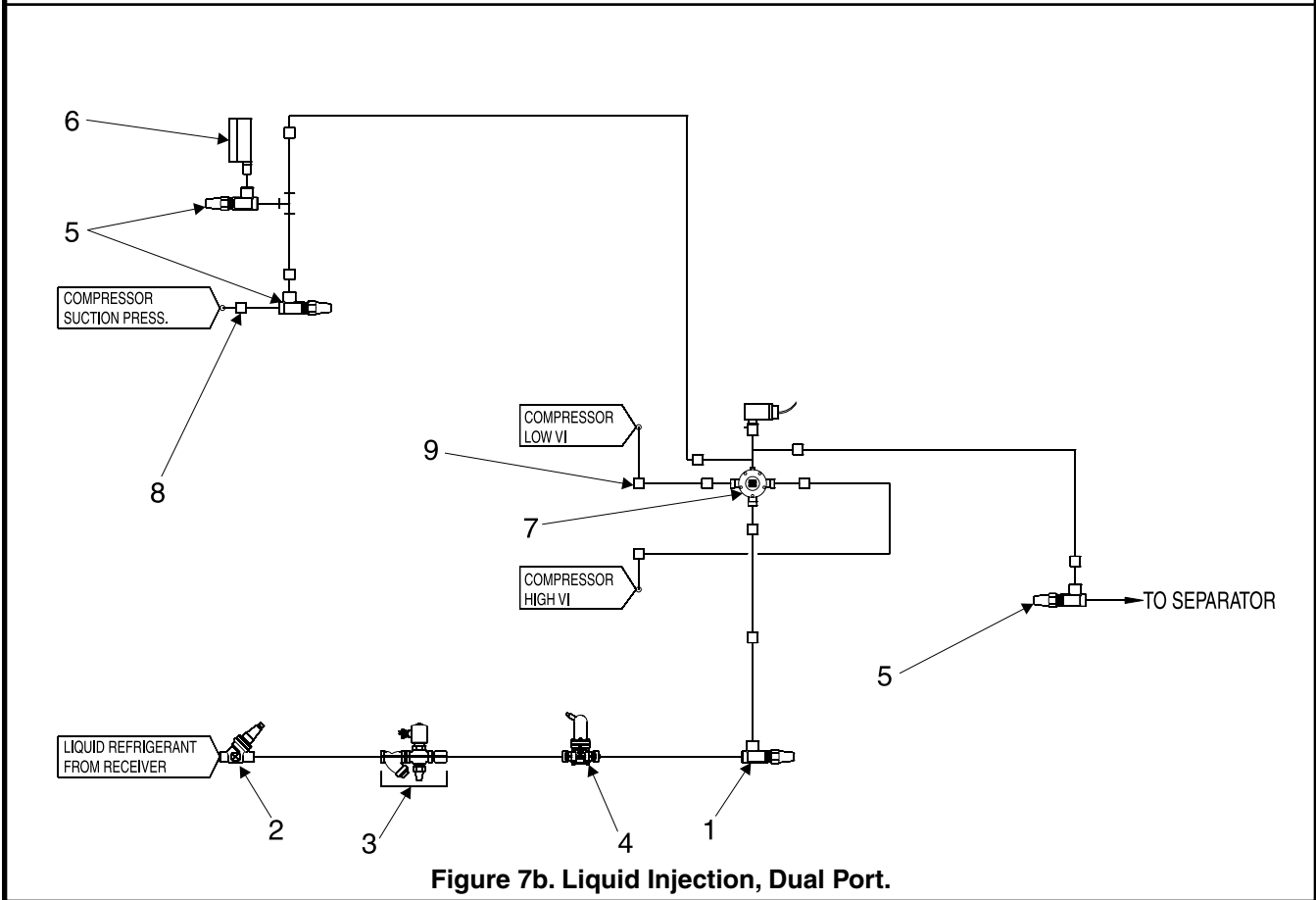


Figure 7b. Liquid Injection, Dual Port.

Figure 8. Liquid Injection.

FIG. & INDEX	ITEM NUMBER	DESCRIPTION	QTY.	REV.	P & I REF.
8—	720M0275	Liquid Injection, Single Port, Socket Weld	Ref.		
	—	Liquid Injection, Dual Port, Socket Weld	Ref.		
	—	Liquid Injection, Booster, Socket Weld	Ref.		
—1	950A0233H01	Valve, Angle, Danfoss, SC, 1/2" SW	1		
	950A0232H21	Valve Repair Kit, Complete	1		
	950A0233H02	Valve, Angle, Danfoss, SC, 3/4" SW	1		
	950A0232H21	Valve Repair Kit, Complete	1		
	950A0233H03	Valve, Angle, Danfoss, SC, 1" SW	1		
	950A0232H22	Valve Repair Kit, Complete	1		
	950A0233H04	Valve, Angle, Danfoss, SC, 1-1/4" SW	1		
	950A0232H22	Valve Repair Kit, Complete	1		
	950A0233H05	Valve, Angle, Danfoss, SC, 1-1/2" SW	1		
	950A0232H22	Valve Repair Kit, Complete	1		
—2	950A0245H01	Valve, Globe, Danfoss, SC, 1/2" SW	1		
	950A0232H21	Valve Repair Kit, Complete	1		
	950A0245H02	Valve, Globe, Danfoss, SC, 3/4" SW	1		
	950A0232H21	Valve Repair Kit, Complete	1		
	950A0245H03	Valve, Globe, Danfoss, SC, 1" SW	1		
	950A0232H22	Valve Repair Kit, Complete	1		
	950A0245H04	Valve, Globe, Danfoss, SC, 1-1/4" SW	1		
	950A0232H22	Valve Repair Kit, Complete	1		
	950A0245H05	Valve, Globe, Danfoss, SC, 1-1/2" SW	1		
	950A0232H22	Valve Repair Kit, Complete	1		
—3	950A0289G01	Kit, Solenoid, Motor Valve 1/2 HMXV/A	Ref.		
	950A0289H01	Flange, Male, 1/2" SW (Set of 2)	1		
	950A0290H25	Gasket (Set of 2)	2		
	951A0105H01	Valve, Solenoid w/ Internal Strainer, EVRA 3, Less Coil	1		
	950A0289H21	Sight Glass	1		
	951A0105H21	Internal Strainer Screen	Ref.		
	950A0293H02	Coil, 120V	1		
	951A0095H01	Assembly, Solenoid Coil, 120V	1		
	649A0890H02	Connector, DIN	1		
	649A0890H11	Gasket, DIN Connector	1		
	950A0293H01	Coil, 240V	1		
	951A0095H02	Assembly, Solenoid Coil, 240V	1		
	649A0890H02	Connector, DIN	1		
	649A0890H11	Gasket, DIN Connector	1		
	950A0289G02	Kit, Solenoid, Motor Valve 1/2 HMXV/A, 1/2 HMXV/B, 3/4 HMMR 50%	Ref.		
	950A0289H01	Flange, Male, 1/2" SW (Set of 2)	1		
	950A0290H25	Gasket (Set of 2)	2		
	950A0290H01	Strainer, 1/2"	1		
	951A0104H01	Valve, Solenoid, EVRA 15, Less Coil	1		
	950A0289H21	Sight Glass	1		
950A0293H02	Coil, 120V	1			
951A0095H01	Assembly, Solenoid Coil, 120V	1			
649A0890H02	Connector, DIN	1			
649A0890H11	Gasket, DIN Connector	1			
950A0293H01	Coil, 240V	1			

RWF II ROTARY SCREW COMPRESSOR UNIT
SERVICE PARTS LIST



FIG. & INDEX	ITEM NUMBER	DESCRIPTION	QTY.	REV.	P & I REF.
	951A0095H02	Assembly, Solenoid Coil, 240V	1		
	649A0890H02	Connector, DIN	1		
	649A0890H11	Gasket, DIN Connector	1		
	950A0289G03	Kit, Solenoid, Motor Valve 3/4 HMMR 50% & 100%	Ref.		
	950A0289H02	Flange, Male, 3/4" SW (Set of 2)	1		
	950A0290H26	Gasket (Set of 2)	2		
	950A0290H02	Strainer, 3/4"	1		
	951A0104H02	Valve, Solenoid, EVRA 20, Less Coil	1		
	950A0289H22	Sight Glass	1		
	950A0293H02	Coil, 120V	1		
	951A0095H01	Assembly, Solenoid Coil, 120V	1		
	649A0890H02	Connector, DIN	1		
	649A0890H11	Gasket, DIN Connector	1		
	950A0293H01	Coil, 240V	1		
	951A0095H02	Assembly, Solenoid Coil, 240V	1		
	649A0890H02	Connector, DIN	1		
	649A0890H11	Gasket, DIN Connector	1		
	950A0289G04	Kit, Solenoid, Motor Valve 3/4 HMMR 100%, 1 HMMR	Ref.		
	950A0289H03	Flange, Male, 1" SW (Set of 2)	1		
	950A0290H26	Gasket (Set of 2)	2		
	950A0291H01	Strainer, 1"	1		
	951A0106H01	Valve, Solenoid, EVRA 25, Less Coil	1		
	950A0289H22	Sight Glass	1		
	950A0293H02	Coil, 120V	1		
	951A0095H01	Assembly, Solenoid Coil, 120V	1		
	649A0890H02	Connector, DIN	1		
	649A0890H11	Gasket, DIN Connector	1		
	950A0293H01	Coil, 240V	1		
	951A0095H02	Assembly, Solenoid Coil, 240V	1		
	649A0890H02	Connector, DIN	1		
	649A0890H11	Gasket, DIN Connector	1		
	950A0289G05	Kit, Solenoid, Motor Valve 1, 1-1/4, 1-1/2 HMMR	Ref.		
	950A0289H11	Gasket Kit (Set of 2)	Ref.		
	950A0291H02	Strainer, 1-1/2"	1		
	951A0107H01	Valve, Solenoid, EVRA 32, Less Coil	1		
	950A0289H23	Sight Glass	1		
	950A0293H02	Coil, 120V	1		
	951A0095H01	Assembly, Solenoid Coil, 120V	1		
	649A0890H02	Connector, DIN	1		
	649A0890H11	Gasket, DIN Connector	1		
	950A0293H01	Coil, 240V	1		
	951A0095H02	Assembly, Solenoid Coil, 240V	1		
	649A0890H02	Connector, DIN	1		
	649A0890H11	Gasket, DIN Connector	1		

FIG. & INDEX	ITEM NUMBER	DESCRIPTION	QTY.	REV.	P & I REF.
—4	954A0064H01	Motor Valve, 1/2 HMXV/A 50%, 1/2 SW (5mm Port)	1		
	954A0064H02	Motor Valve, 1/2 HMXV/B 100% , 1/2 SW (7mm Port)	1		
	954A0064H11	Gasket, Flange, 1/2	2		
	954A0065H01	Motor Valve, 3/4 HMMR 50%, 3/4 SW	1		
	954A0065H02	Motor Valve, 3/4 HMMR 100%, 3/4 SW	1		
	954A0066H01	Motor Valve, 1 HMMR, 1 SW	1		
	954A0067H01	Motor Valve, 1-1/4 HMMR, 1-1/4 SW	1		
	954A0065H11	Gasket, Flange, 3/4—1-1/4	2		
	954A0068H01	Motor Valve, 1-1/2 HMMR, 1-1/2 SW	1		
	954A0068H11	Gasket, Flange, 1-1/2	2		
—5	950A0292H01	Valve, Angle, SC, 1/4" MPT x 1/4" FPT	1		
—6	990A0011H02	Gauge, Pressure	1		
—7	951A0053G01	Valve, Solenoid, 3-Way, R-717, R-22 (Plus Fittings)	1		
	951A0053H01	Valve, Solenoid, 3-Way, Less Coil (Plus Fittings)	1		
	951A0054H01	Coil, 120V	1		
	951A0053G11	Repair Kit consisting of:	Ref.		
	951A0053G01	Valve, Solenoid, 3-Way, R-717, R-22	1		
	944A0117H01	Fitting, Connector, Female	1		
—8	980A0012K60	O-ring, Reducer	1		
—9	980A0012K66	O-ring, Elbow	1		
	980A0012K69	O-ring, Elbow	1		

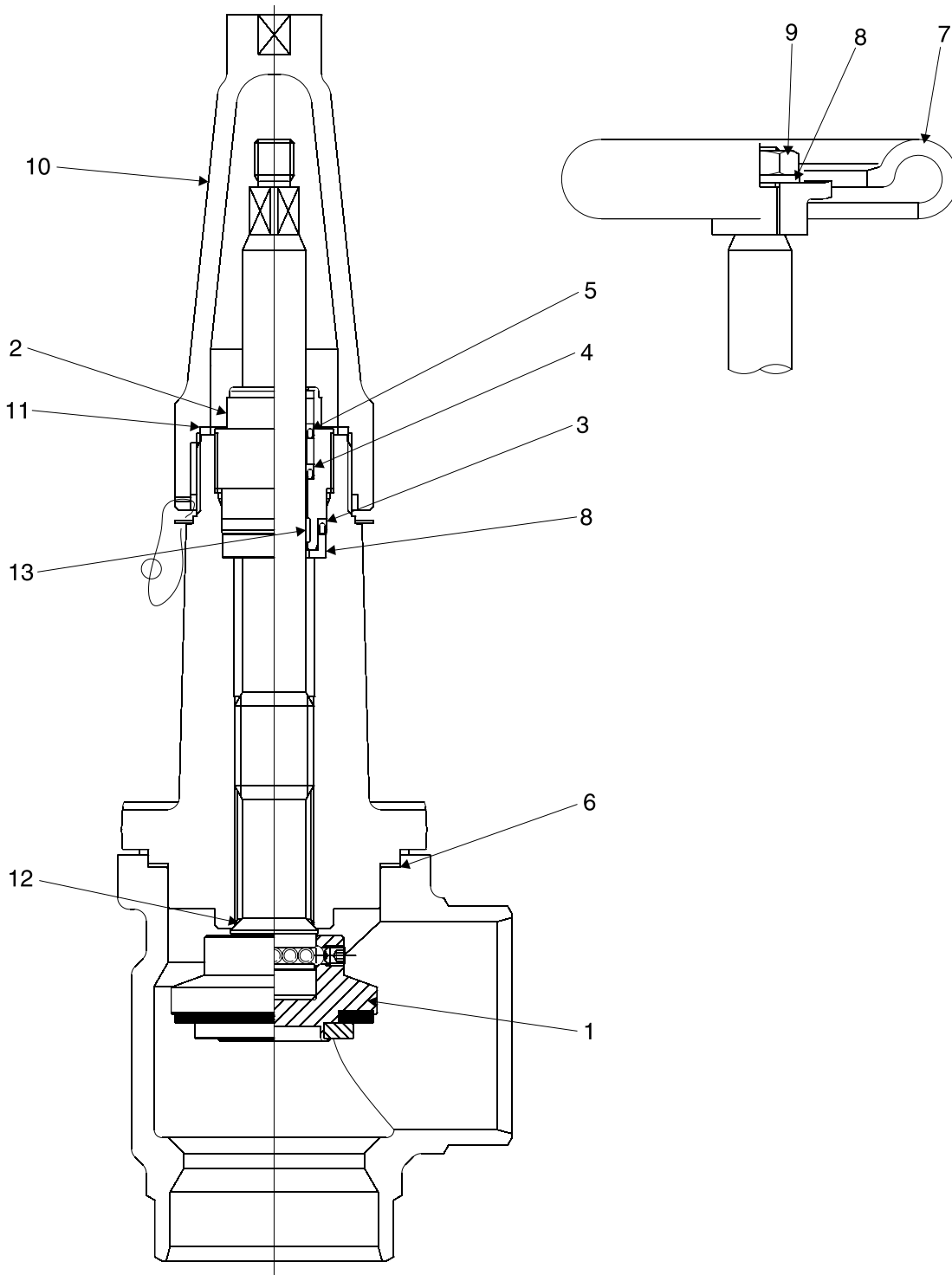


Figure 9. Suction Stop Valve.

FIG. & INDEX	ITEM NUMBER	DESCRIPTION	QTY.	REV.	P & I REF.
9—	—	Suction/Discharge Stop Valve (See chart below)			
—1	—	Cone and Cone Seal			
—2	—	Packing Gland			
—3	—	Packing Washer			
—4	—	O-Ring			
—5	—	O-Ring			
—6	—	Gasket			
—7	—	Handwheel			
—8	—	Washer			
—9	—	Screw/Nut			
—10	—	Cap			
—11	—	Gasket for Cap			
—12	—	Soft Backseat			
—13	—	Wear Ring			

STOP VALVE ONLY							
VALVE	DESCR.	SIZE	COMPLETE SPARES KIT ⁽¹⁾	PACKING GLAND KIT ⁽²⁾	CONE KIT ⁽³⁾	HW/SC KIT ⁽⁴⁾	CAP & BONNET KIT ⁽⁵⁾
950A0240H10	BW - HW	5	950A0240H27	950A0240H35	950A0240H47	950A0240H56	N/A
950A0240H11	BW - HW	6	950A0240H28	950A0240H35	950A0240H48	950A0240H56	N/A
950A0240H12	BW - HW	8	950A0240H29	950A0240H36	950A0240H49	950A0240H57	N/A
950A0283H01	BW - HW	10	950A0283H21	950A0283H31	950A0283H41	950A0283H51	N/A
950A0283H02	BW - HW	12	950A0283H22	950A0283H31	950A0283H42	950A0283H52	N/A
950A0241H10	BW - SC	5	950A0240H27	950A0240H35	950A0240H47	950A0241H64	950A0241H57
950A0241H11	BW - SC	6	950A0240H28	950A0240H35	950A0240H48	950A0241H64	950A0241H58
950A0241H12	BW - SC	8	950A0240H29	950A0240H36	950A0240H49	950A0241H65	950A0241H59
950A0284H01	BW - SC	10	950A0283H21	950A0283H31	950A0284H41	950A0284H61	950A0284H51
950A0284H02	BW - SC	12	950A0283H22	950A0283H31	950A0284H42	950A0284H61	950A0284H52

1. Consists of Cone & Seal, Setscrew, Steel Balls, O-ring, Cap Gasket, Soft Backseat.
2. Consists of Packing Gland and Washer, O-rings, Wear Ring, U-sleeves (where applicable).
3. Consists of Cone & Seal, Setscrew, Steel Balls, O-ring.
4. Consists of Handwheel, Washer, Screw/Nut or Seal Cap and Gasket.
5. Consists of O-ring, Cap Gasket, Soft Backseat.

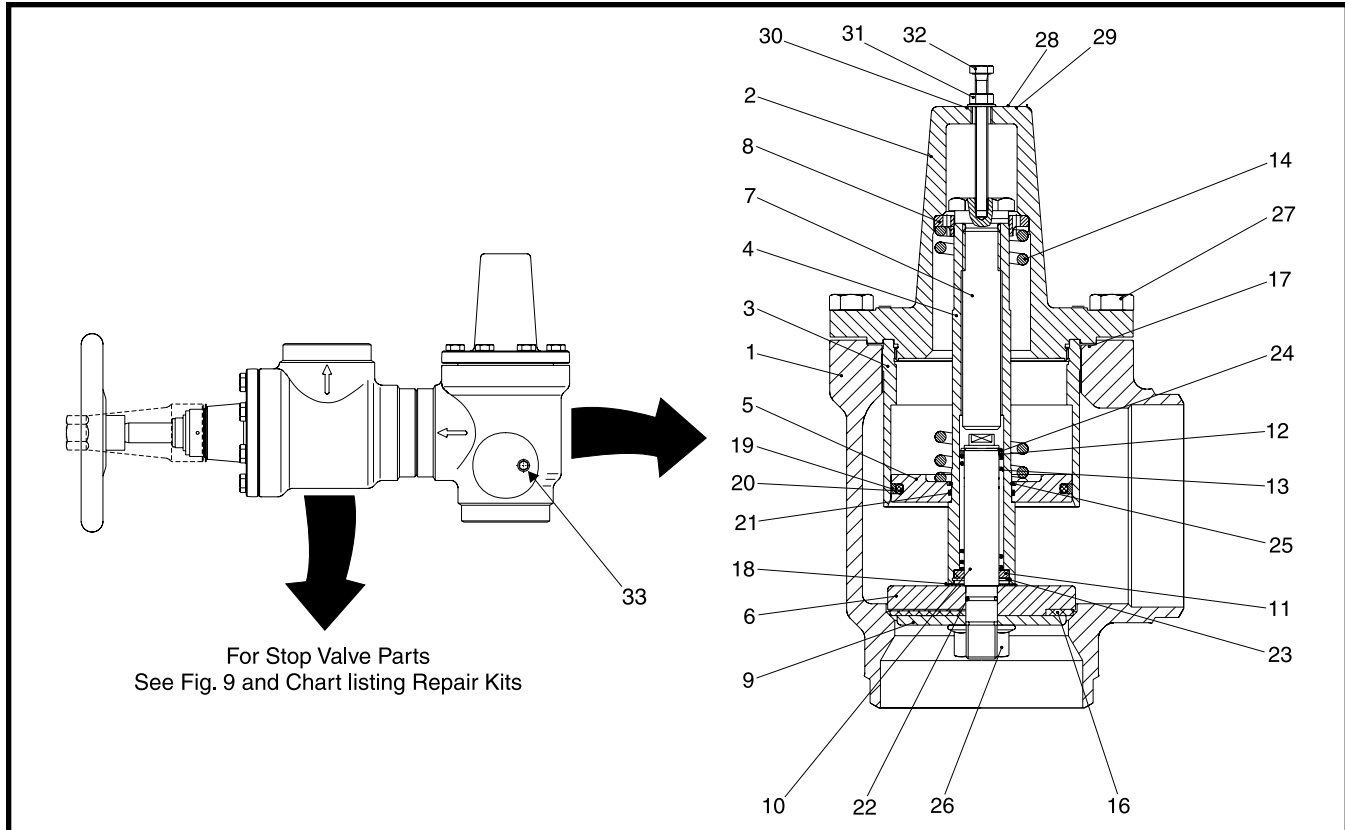


Figure 10. Discharge Stop/Check Valve, Current (Danfoss).

DISCHARGE STOP VALVE ONLY							
VALVE	DESCR.	SIZE	COMPLETE SPARES KIT ⁽¹⁾	PACKING GLAND KIT ⁽²⁾	CONE KIT ⁽³⁾	HW/SC KIT ⁽⁴⁾	CAP & BONNET KIT ⁽⁵⁾
950A0240H09	BW - HW	4	950A0240H26	950A0240H34	950A0240H46	950A0240H55	N/A
950A0240H10	BW - HW	5	950A0240H27	950A0240H35	950A0240H47	950A0240H56	N/A
950A0240H11	BW - HW	6	950A0240H28	950A0240H35	950A0240H48	950A0240H56	N/A
950A0240H12	BW - HW	8	950A0240H29	950A0240H36	950A0240H49	950A0240H57	N/A
950A0241H09	BW - SC	4	950A0240H26	950A0240H34	950A0240H46	950A0241H63	950A0241H56
950A0241H10	BW - SC	5	950A0240H27	950A0240H35	950A0240H47	950A0241H64	950A0241H57
950A0241H11	BW - SC	6	950A0240H28	950A0240H35	950A0240H48	950A0241H64	950A0241H58
950A0241H12	BW - SC	8	950A0240H29	950A0240H36	950A0240H49	950A0241H65	950A0241H59

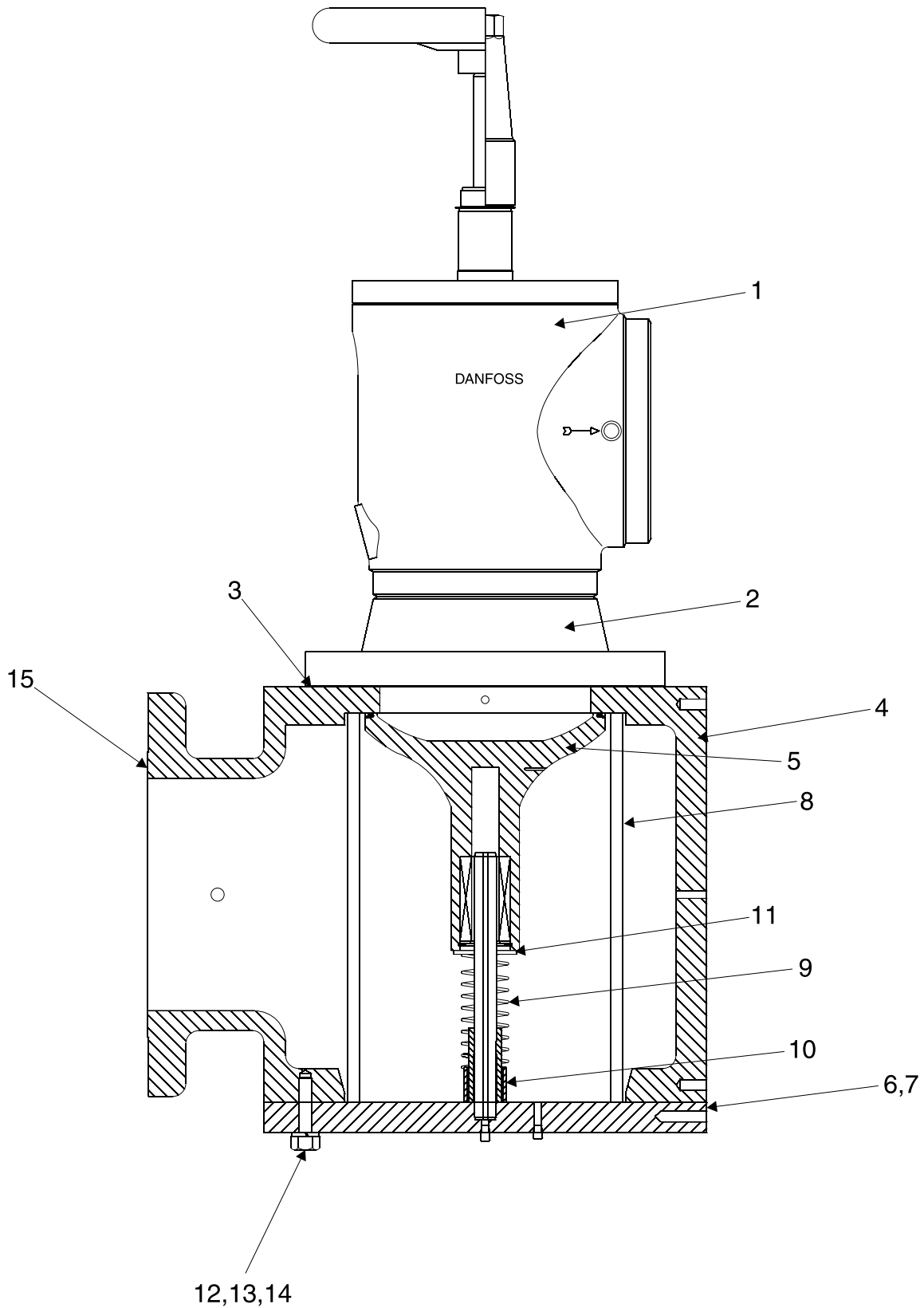
1. Consists of Cone & Seal, Setscrew, Steel Balls, O-ring, Cap Gasket, Soft Backseat.
2. Consists of Packing Gland and Washer, O-rings, Wear Ring, U-sleeves (where applicable).
3. Consists of Cone & Seal, Setscrew, Steel Balls, O-ring.
4. Consists of Handwheel, Washer, Screw/Nut or Seal Cap and Gasket.
5. Consists of O-ring, Cap Gasket, Soft Backseat.

CHECK VALVE ONLY (See Index next page)						
VALVE	APPLICATION	SIZE	BONNET GASKET	SEAL KIT	14.5 PSI SPRING KIT	29 PSI SPRING KIT
956A0045H01	HIGH STAGE	4	956A0045H11	956A0045H12	N/A	956A0045H14
956A0045H02	BOOSTER	4	956A0045H11	956A0045H12	956A0045H15	N/A
956A0046H01	HIGH STAGE	5	956A0046H11	956A0046H12	N/A	956A0046H14
956A0046H02	BOOSTER	5	956A0046H11	956A0046H12	956A0046H15	N/A
956A0047H01	HIGH STAGE	6	956A0047H11	956A0047H12	N/A	956A0047H14
956A0047H02	BOOSTER	6	956A0047H11	956A0047H12	956A0047H15	N/A
956A0048H01	HIGH STAGE	8	956A0048H11	956A0048H12	N/A	956A0048H14
956A0048H02	BOOSTER	8	956A0048H11	956A0048H12	956A0048H15	N/A

FIG. & INDEX	ITEM NUMBER	DESCRIPTION	QTY.	REV.	P & I REF.
10—	—	Discharge Stop Check Valve Assembly (See Chart below)	Ref.		
	—	Stop Valve (See Chart previous page and below)	Ref.		
	—	Check Valve (See Chart previous page and below)	Ref.		
—1	—	Housing	1		
—2	—	Bonnet	1		
—3	—	Piston Cylinder	1		
—4	—	Piston Rod	1		
—5	—	Piston	1		
—6	—	Cone	1		
—7	—	Spring Screw	1		
—8	—	Spring Bushing	1		
—9	—	Cone Plate	1		
—10	—	Cone Rod	1		
—11	—	Rear Bushing	1		
—12	—	Front Bushing	1		
—13	—	Spring	1		
—14	Spring Kit*	Spring	1		
—15	—	Plug (not shown)	1		
—16	Seal Kit*	Teflon Ring	1		
—17	Seal Kit*	Bonnet Gasket	1		
—18	Seal Kit*	Nylon Washer	1		
—19	Seal Kit*	Glyde Ring	1		
—20	Seal Kit*	O-Ring	1		
—21	Seal Kit*	O-Ring	1		
—22	Seal Kit*	O-Ring	1		
—23	—	Spring Ring	1		
—24	—	Spring Ring	1		
—25	—	Spring Ring	1		
—26	—	Nut	1		
—27	—	Set Screw	A/R		
—28	Spring Kit*	Marking Plate	1		
—29	Spring Kit*	Rivet	1		
—30	—	Washer	1		
—31	—	Nut	1		
—32	—	Screw	1		
—33	950A0292H01	Valve, Angle, SC, 1/4" MPT x 1/4" FPT	1		

* See Check Valve Chart, previous page.

DISCHARGE STOP-CHECK VALVE ASSEMBLY and VALVES			
APPLICATION	SIZE	STOP VALVE	CHECK VALVE
HIGH STAGE HW	4	950A0240H09	956A0045H01
HIGH STAGE SC	4	950A0241H09	956A0045H01
BOOSTER HW	4	950A0240H09	956A0045H02
BOOSTER SC	4	950A0241H09	956A0045H02
HIGH STAGE HW	5	950A0240H10	956A0046H01
HIGH STAGE SC	5	950A0241H10	956A0046H01
BOOSTER HW	5	950A0240H10	956A0046H02
BOOSTER SC	5	950A0241H10	956A0046H02
HIGH STAGE HW	6	950A0240H11	956A0047H01
HIGH STAGE SC	6	950A0241H11	956A0047H01
BOOSTER HW	6	950A0240H11	956A0047H02
BOOSTER SC	6	950A0241H11	956A0047H02
HIGH STAGE HW	8	950A0240H12	956A0048H01
HIGH STAGE SC	8	950A0241H12	956A0048H01
BOOSTER HW	8	950A0240H12	956A0048H02
BOOSTER SC	8	950A0241H12	956A0048H02



NOTE: FOR PARTS TO DANFOSS STOP VALVE, SEE FIGURE 9. SUCTION STOP VALVE.

Figure 11. Multivalve, 12 x 14.

FIG. & INDEX	ITEM NUMBER	DESCRIPTION	QTY.	REV.	P & I REF.
11—	535D0553G01 535D0553G02	Assembly, Multivalve, 14" IN x 14" OUT, 300 PSIG, HW Assembly, Multivalve, 12" IN x 14" OUT, 300 PSIG, SC	Ref. Ref.		
—1	950A0169G01 950A0169G02	Valve, Angle, 14", HW Valve, Angle, 12", SC	1 1		
—2	944A0046H16	Flange, Raised Face, Weld Neck, CL300, 14"	1		
—3	959A0062H27	Gasket, Multi-Valve, 14" - CL300, 1/16" THK.	1		
—4	535D0193C04	Suction Trap Body, 14"	1		
—5	580B0240G08	Sliding Button Assembly	1		
—6	580B0246G09	End Cover Sub-Assembly	1		
—7	959A0061H05	End Cover Gasket	1		
—8	580C0269H01	Double Screen Strainer	1		
—9	580A0230H01	Return Spring	1		
—10	580A0234H02	Spring Adjuster	1		
—11	111Q0940164	Washer	1		
—12	901A0048D09	Hex HD Cap Screw, 7/8" NC x 3" LG.	20		
—13	905A0013H08	Lock Washer, 7/8"	20		
—14	534A0260H01	Installation Tag	1		
—15	569C0262G10	Sealing Disk Kit, Outboard End	1		



Figure 12. Economizer.

FIG. & INDEX	ITEM NUMBER	DESCRIPTION	QTY.	REV.	P & I REF.
12—	535M0001G12	Kit, Economizer, R-22, 100 & 134	Ref.		
	535M0001G04	Kit, Economizer, R-22, 177 - 270	Ref.		
	535M0001G07	Kit, Economizer, R-22, 316 & 399	Ref.		
	535M0001G16	Kit, Economizer, R-22, 480 & 546	Ref.		
	535M0001G15	Kit, Economizer, R-22, 496 & 676	Ref.		
	—	Kit, Economizer, R-22, 856	Ref.		
	—	Kit, Economizer, R-22, 1080	Ref.		
—1	950A0001H08	Strainer, 1-1/2", 100 & 134	1		
	950A0001H27	Kit, Repair (includes screen, spring & gasket)	1		
	950A0001H06	Strainer, 2", 177 - 270	1		
	950A0001H25	Kit, Repair (includes screen, spring & gasket)	1		
	950A0001H09	Strainer, 3", 316 & 399	1		
	950A0001H28	Kit, Repair (includes screen, spring & gasket)	1		
	950A0001H11	Strainer, 4", 480 - 676	1		
	950A0001H29	Kit, Repair (includes screen, spring & gasket)	1		
—2	956A0025H23	Valve, Check, Modified, 1-1/2", 100 & 134	1		
	956A0025H24	Valve, Check, Modified, 2", 177 - 270	1		
	956A0025H25	Valve, Check, Modified, 3", 316 & 399	1		
	956A0025H26	Valve, Check, Modified, 4", 480 - 676	1		
—3	950A0233H05	Valve, Angle, Danfoss, SC, 1-1/2" SW, 100 & 134	1		
	950A0232H22	Valve Repair Kit, Complete	1		
	950A0233H06	Valve, Angle, Danfoss, SC, 2" SW, 177 - 270	1		
	950A0232H23	Valve Repair Kit, Complete	1		
	950A0241H07	Valve, Angle, Danfoss, SC, 2-1/2" BW, 316 - 676	1		
	950A0240H24	Valve Repair Kit, Complete	1		
—4	959A0057H05	Gasket, 2-3/4" Bolt Flange, Compressor, 100 & 134	1		
	959A0057H07	Gasket, 3-1/4" Bolt Flange, Compressor, 177 - 270	1		
	959A0057H06	Gasket, 3-3/4" Bolt Flange, Compressor, 316 - 676	1		
	959A0057H18	Gasket, 4-3/8" Bolt Flange, Compressor, 480 - 676	1		
	944A0358H02	Flange, SW, Square, 1-1/2", 100 & 134	1		
	944A0358H03	Flange, SW, Square, 2", 177 - 270	1		
	944A0358H04	Flange, SW, Square, 2-1/2", 316 - 676	1		
	944A0358H05	Flange, SW, Square, 3", 480 - 676	1		

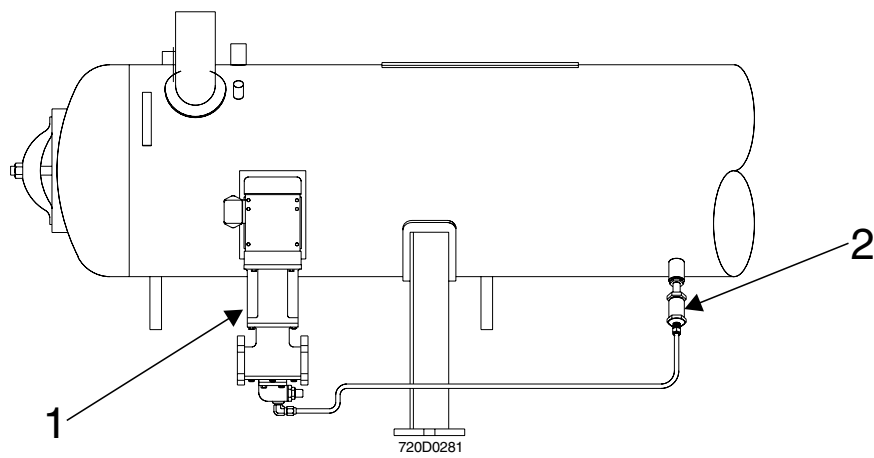


Figure 13. Oil Pump.

FIG. & INDEX	ITEM NUMBER	DESCRIPTION	QTY.	REV.	P & I REF.
13—	720M0313	Kit, Oil Pump Mounting and Tubing, 100 & 134	Ref.		
	720M0323	Kit, Oil Pump Mounting and Tubing, 177 & 222	Ref.		
	720M0348	Kit, Oil Pump Mounting and Tubing, 270	Ref.		
	720M0341	Kit, Oil Pump Mounting and Tubing, 316 & 399	Ref.		
	720M0355	Kit, Oil Pump Mounting and Tubing, 480	Ref.		
	720M0287	Kit, Oil Pump Mounting and Tubing, 496 - 1080	Ref.		
—1	960A0082G01	Assembly, Pump, 1 HP, 208/230/460-3-60, 190/380-3-50	1		
	960A0082H01	Pump only*	1		
	914A0015H02	Motor only	1		
	960A0066H11	Coupling only	1		
	960A0082G02	Assembly, Pump, 1 HP, 575-3-60	1		
	960A0082H01	Pump only*	1		
	914A0015H02	Motor only	1		
	960A0066H11	Coupling only	1		
	960A0082G03	Assembly, Pump, 1 HP, 415-3-50	1		
	960A0082H01	Pump only*	1		
	914A0015H02	Motor only	1		
	960A0066H11	Coupling only	1		
	960A0082G07	Assembly, Pump, 1-1/2 HP, 208/230/460-3-60	1		
	960A0082H01	Pump only*	1		
	914A0015H02	Motor only	1		
	960A0066H11	Coupling only	1		
	960A0082G08	Assembly, Pump, 1-1/2 HP, 190/380-3-50	1		
	960A0082H01	Pump only*	1		
	914A0015H02	Motor only	1		
	960A0066H11	Coupling only	1		
	960A0082G09	Assembly, Pump, 1-1/2 HP, 575-3-60	1		
	960A0082H01	Pump only*	1		
	914A0015H02	Motor only	1		
	960A0066H11	Coupling only	1		
	960A0082G10	Assembly, Pump, 1-1/2 HP, 415-3-50	1		
	960A0082H01	Pump only*	1		
	914A0015H02	Motor only	1		
	960A0066H11	Coupling only	1		
	960A0082G04	Assembly, Pump, 3 HP, 208/230/460-3-60, 190/380-3-50	1		
	960A0082H02	Pump only*	1		
	914A0015H03	Motor only	1		
	960A0066H12	Coupling only	1		
	960A0082G05	Assembly, Pump, 3 HP, 575-3-60	1		
	960A0082H02	Pump only*	1		
	914A0015H03	Motor only	1		
	960A0066H12	Coupling only	1		
	960A0082G06	Assembly, Pump, 3 HP, 415-3-50	1		
	960A0082H02	Pump only*	1		
	914A0015H03	Motor only	1		
	960A0066H12	Coupling only	1		
	960A0083G01	Assembly, Pump, 5 HP, 190/380-3-50	1		
	960A0083H01	Pump only*	1		
914A0016H02	Motor only	1			
960A0073H13	Coupling only	1			

* 960A0076H41 Shaft Seal Kit, 1-3 HP ; 960A0077H41 Shaft Seal Kit, 5 HP. Kit consists of Shaft Seal, O-ring, Bearings and Locknut.

RWF II ROTARY SCREW COMPRESSOR UNIT
SERVICE PARTS LIST



FIG. & INDEX	ITEM NUMBER	DESCRIPTION	QTY.	REV.	P & I REF.
	960A0083G02	Assembly, Pump, 5 HP, 230/460-3-60	1		
	960A0083H01	Pump only*	1		
	914A0016H02	Motor only	1		
	960A0073H13	Coupling only	1		
	960A0083G03	Assembly, Pump, 5 HP, 415-3-50	1		
	960A0083H01	Pump only*	1		
	914A0016H20	Motor only	1		
	960A0073H13	Coupling only	1		
	960A0083G04	Assembly, Pump, 5 HP, 575-3-60	1		
	960A0083H01	Pump only*	1		
	914A0016H23	Motor only	1		
	960A0073H13	Coupling only	1		
—2	956A0014H01	Valve, Check, In-line, 3/4" FPT (100 - 222)	1		
	956A0014H02	Valve, Check, In-line, 1" FPT (270 - 480)	1		
	956A0012G04	Valve, Check, 1-1/4" NPT Flanges (496 - 1080)	1		

* 960A0076H41 Shaft Seal Kit, 1-3 HP ; 960A0077H41 Shaft Seal Kit, 5 HP. Kit consists of Shaft Seal, O-ring, Bearings and Locknut.



**RWF II ROTARY SCREW COMPRESSOR UNIT
SERVICE PARTS LIST**

**S70-610 SPL AUG '05
Page 37**

This page left blank intentionally.

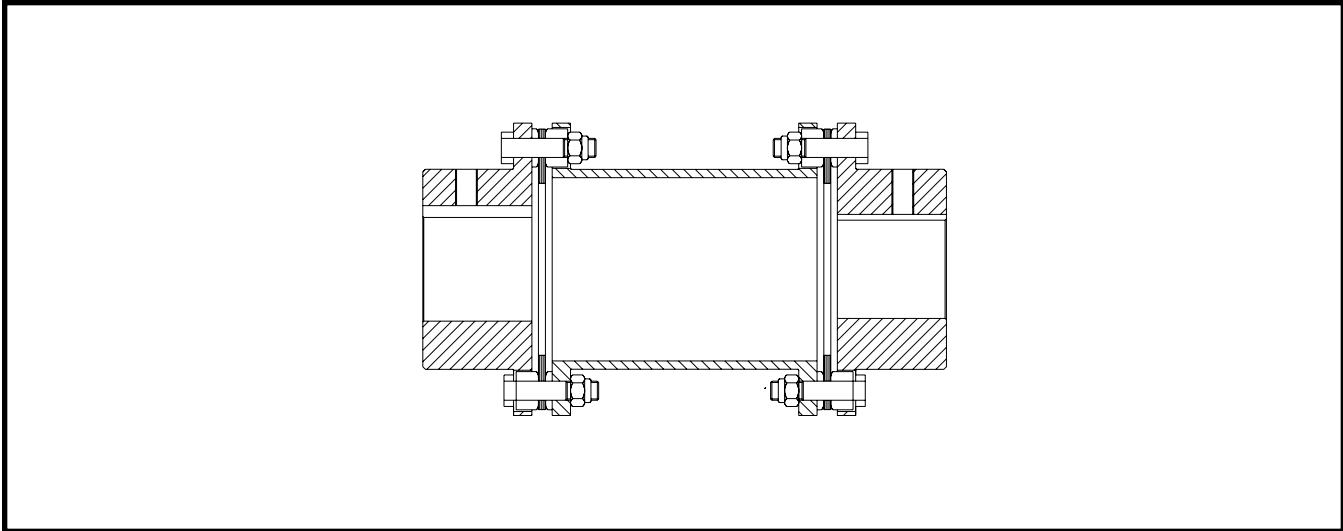


Figure 14. Coupling Assembly.

FIG. & INDEX	ITEM NUMBER	DESCRIPTION	QTY.	REV.	P & I REF.
14—	720C0078	Coupling, Motor to Compressor, 100, 134, 177, 222, 270	Ref.	-	
	720C0079	Coupling, Motor to Compressor, 222, 270, 316, 399, 480	Ref.	A	
	720C0086	Coupling, Motor to Compressor, 496, 546, 676, 856, 1080	Ref.	-	
—1	720C0078H01	Assbly, Coupling, 2.376" Motor Bore/2.251" Compr. Bore ⁽¹⁾	1		
	720C0078H02	Assbly, Coupling, 2.126" Motor Bore/2.251" Compr. Bore ⁽¹⁾	1		
	720C0078H04	Assbly, Coupling, 2.126" Motor Bore/2.501" Compr. Bore ⁽¹⁾	1		
	720C0078H06	Assbly, Coupling, 2.376" Motor Bore/2.501" Compr. Bore ⁽¹⁾	1		
	720C0079H01	Assbly, Coupling, 2.376" Motor Bore/2.501" Compr. Bore ⁽²⁾	1		
	720C0086H01	Assbly, Coupling, 2.376" Motor Bore/3.751" Compr. Bore ⁽³⁾	1		

(1) For 50 - 450 HP. Service parts in chart below.
 (2) For 450 - 850 HP. Service parts in chart below.
 (3) For 1000 - 1750 HP. Service parts in chart below.

COUPLING SERVICE KITS*						
Coupling Part Number	T. B. Woods BPU-41 Disc Pack	Kop-Flex KD21-153X Disc Pack	Kop-Flex KD21-204 Disc Pack	Rexnord 52-225 Disc Pack	Rexnord 52-262 Disc Pack	T. B. Woods BPU-54 Disc Pack
720C0078H01	720C0078H11	720C0078H12	—	720C0078H13	—	—
720C0078H02	720C0078H12	720C0078H13	—	720C0078H14	—	—
720C0078H04	720C0078H13	720C0078H14	—	720C0078H15	—	—
720C0078H06	720C0078H14	720C0078H15	—	720C0078H16	—	—
720C0079H01	720C0079H11	720C0079H12	720C0079H13	720C0079H13	720C0079H14	—
720C0086H01	—	—	—	—	—	720C0086H11

* To service 720C0078 and 720C0079 Couplings, determine the manufacturer and model, then select correct service kit listed above. Kit includes fasteners.



RWF II ROTARY SCREW COMPRESSOR UNIT
SERVICE PARTS LIST

S70-610 SPL AUG '05
Page 39

This page left blank intentionally.

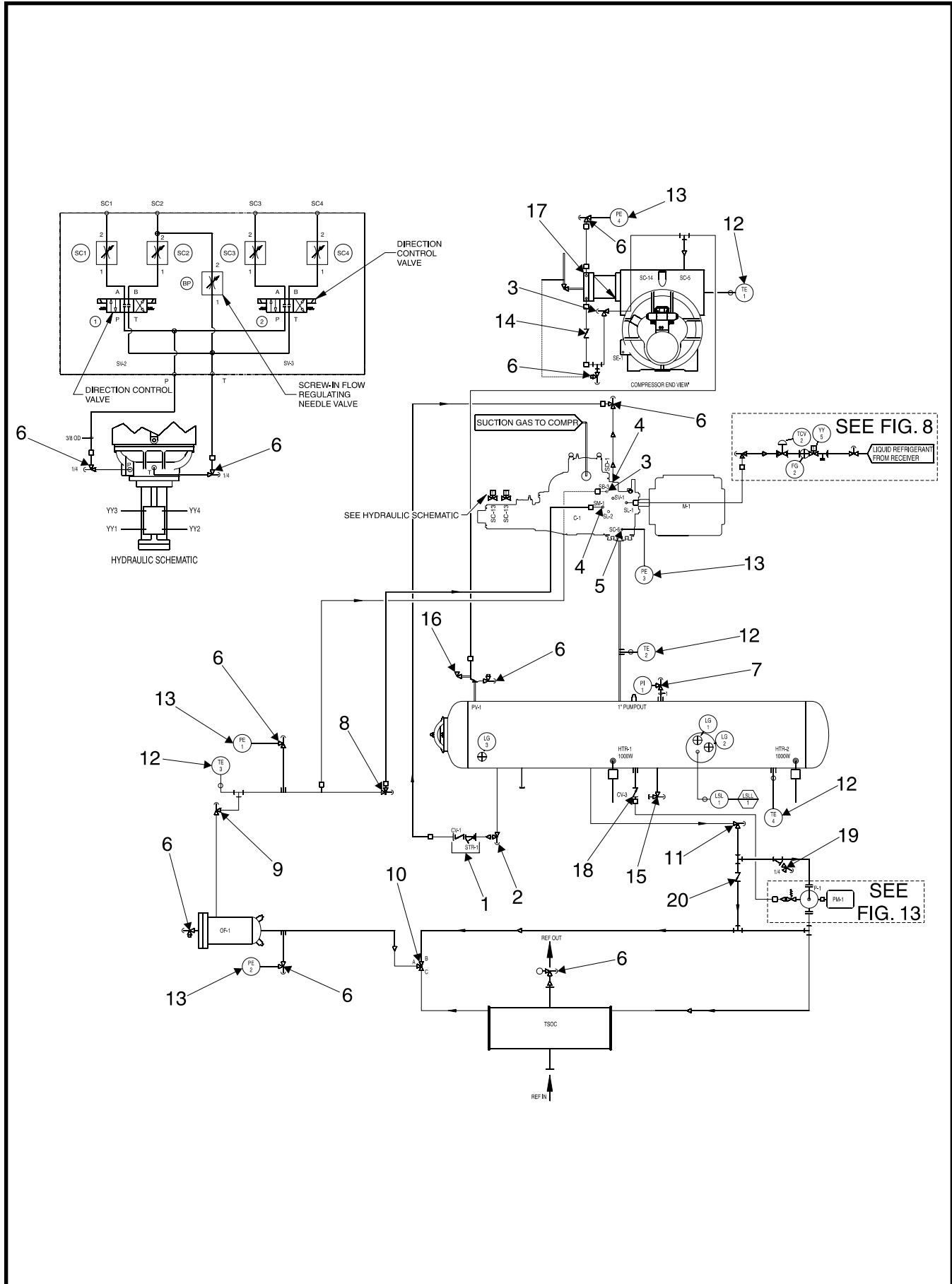


Figure 15. Piping and Instrumentation, Typical.

FIG. & INDEX	ITEM NUMBER	DESCRIPTION	QTY.	REV.	P & I REF.
15—	720E0072G40	Piping Package Parts, 100 and 134	Ref.		
	720E0072G50	Package Parts Assembly, 100 and 134	Ref.		
	720E0073G40	Piping Package Parts, 177 and 222	Ref.		
	720E0073G50	Package Parts Assembly, 177 and 222	Ref.		
	720E0074G40	Piping Package Parts, 270	Ref.		
	720E0074G50	Package Parts Assembly, 270	Ref.		
	720E0075G40	Piping Package Parts, 316 and 399	Ref.		
	720E0075G50	Package Parts Assembly, 316 and 399	Ref.		
—1	720B0030G01	Assembly, Valve, Coalescer Bleed	1		
	950A0281H01	Valve, Angle, SW/MPT 1 "	1		
	720B0030H02	Nut	2		
	720B0030H03	Flange, 1/2 " FPT (Stop Valve & Strainer)	1		
	720B0030H04	Bolt	2		
	720G0030H05	Strainer	1		
	720B0030H21	Kit, Strainer Service, Cover Gasket and Basket	1		
	720B0030H06	Valve, Check	1		
	720B0030H22	Kit, Check Valve (w/o flanges) Service	1		
	720B0030H07	Gaskets (Service Kit 720B0030H23 includes 2 gaskets)	3		
	720B0030H08	Flange, 3/8 " FPT (Check Valve)	1		
—2	950A0233H03	Valve, SW, Angle, SC, 1 "	1		
	950A0232H22	Valve Repair Kit, Complete	1		
—3	980A0012K66	O-ring, Port SB-3, Oil Supply	1		
—4	980A0012K66	O-ring, Ports SM-1 & SD-1	2		
—5	980A0012K60	O-ring, Port SC-6, Discharge Pressure	1		
—6	950A0292H01	Valve, Angle, SC, 1/4 MPT x 1/4 FPT	A/R		
	950A0292H02	Valve, Angle, SC, 3/8 MPT x 3/8 FPT	A/R		
—7	950A0237H03	Valve, Angle, SC, 1 MPT	1		
	950A0232H22	Valve Repair Kit, Complete	1		
—8	954A0062H03	Valve, Hand Expansion, SC, 1 " SW, 100—222	1		
	954A0062H28	Valve Repair Kit, Complete	1		
	954A0062H04	Valve, Hand Expansion, SC, 1-1/4 " SW, 270—480	1		
	954A0062H29	Valve Repair Kit, Complete	1		
—9	950A0233H05	Valve, Angle, Danfoss, SC, 1-1/2 " SW, 100 & 134	3		
	950A0232H22	Valve Repair Kit , Complete	1		
	950A0233H06	Valve, Angle, Danfoss, SC, 2 " SW, 177 & 222	3		
	950A0232H23	Valve Repair Kit , Complete	1		
	950A0241H07	Valve, Angle, Danfoss, SC, 2-1/2 " BW, 270—480	3		
	950A0240H24	Valve Repair Kit , Complete	1		
—10	950A0195H01	Valve, Temperature Control, 1-1/2"	1		
	950A0195H11	Kit, Service, Temperature Control Valve, 1-1/2 & 2 " *	1		
	950A0195H02	Valve, Temperature Control, 2 "	1		
	950A0195H11	Kit, Service, Temperature Control Valve, 1-1/2 & 2 " *	1		
	950A0222H01	Valve, Temperature Control, 2-1/2 "	1		
	950A0222H11	Kit, Service, Temperature Control Valve, 2-1/2 " *	1		
—11	950A0233H06	Valve, Angle, Danfoss, Shutoff, 2 " SW, SC	1		
	950A0232H23	Valve Repair Kit , Complete	1		
	950A0241H07	Valve, Angle, Danfoss, Shutoff, 2-1/2 " BW, SC	1		
	950A0240H24	Valve Repair Kit , Complete	1		
—12	913A0097G01	Assembly, Temperature Probe	4		
	913A0094H01	Temperature Probe Element, Less Well	4		
—13	913A0124H01	Transducer, Pressure, 0-200	4		
	913A0124H02	Transducer, Pressure, 0-500	4		
—14	956A0052H01	Valve, Check, 3/8 " NPTF	1		

RWF II ROTARY SCREW COMPRESSOR UNIT
SERVICE PARTS LIST



FIG. & INDEX	ITEM NUMBER	DESCRIPTION	QTY.	REV.	P & I REF.
—15	950A0233H03	Valve, Angle, Danfoss, SC, 1" SW	1		
	950A0232H22	Valve Repair Kit, Complete	1		
—16	582C0030G01	Valve, Discharge Stop/Check, 4" (High Stage) *	1		
	582C0030G03	Valve, Discharge Stop/Check, 4" (Booster or Swing) *	1		
	582C0031G01	Valve, Discharge Stop/Check, 5" (High Stage) *	1		
	582C0031G03	Valve, Discharge Stop/Check, 5" (Booster or Swing) *	1		
	582C0032G01	Valve, Discharge Stop/Check, 6" (High Stage) *	1		
	582C0032G03	Valve, Discharge Stop/Check, 6" (Booster or Swing) *	1		
	582C0033G01	Valve, Discharge Stop/Check, 8" (High Stage) *	1		
	582C0033G03	Valve, Discharge Stop/Check, 8" (Booster or Swing) *	1		
—17	950A0240H10	Valve, Angle, Danfoss, 5", HW, WIL	1		
	950A0240H27	Valve Repair Kit, Complete	1		
	950A0240H11	Valve, Angle, Danfoss, 6", HW, WIL	1		
	950A0240H28	Valve Repair Kit, Complete	1		
	950A0240H12	Valve, Angle, Danfoss, 8", HW, WIL	1		
	950A0240H29	Valve Repair Kit, Complete	1		
	956A0050H03	Valve, Check, 5" (100)	1		
	956A0050H04	Valve, Check, 6" (134-222)	1		
	956A0050H05	Valve, Check, 8" (270 & 316)	1		
	956A0050H06	Valve, Check, 10" (399-480)	1		
	959A0054H31	Gasket, Flange, 5" (100)	1		
	959A0054H32	Gasket, Flange, 6" (134-177)	1		
	959A0054H32	Gasket, Flange, 6" (222)	1		
	959A0054H33	Gasket, Flange, 8" (222)	1		
	959A0054H33	Gasket, Flange, 8" (270-316)	1		
	959A0098H01	Gasket, Flange, 10" (399-480)	1		
—18	956A0014H01	Valve, Check, In-line, 3/4" FPT (100-222)	1		
	956A0014H02	Valve, Check, In-line, 1" FPT (270-480)	1		
	956A0012G04	Valve, Check, 1-1/4" NPT Flanges (496-1080)	1		
—19	950A0069H07	Strainer, Y-Type, 1-1/2" SW (100-134)	1		
	950A0069H25	Gasket	1		
	950A0069H37	Screen	1		
	950A0069H08	Strainer, Y-Type, 2" SW (177-222)	1		
	950A0069H25	Gasket	1		
	950A0069H38	Screen	1		
—20	950A0001H07	Strainer, 2-1/2" Flanged (270-480)	1		
	950A0001H26	Kit, Screen (Includes Screen, Spring & Gasket)	1		
	956A0012G03	Valve, Check, 1-1/2" NPT Flanges (100 - 134)	1		
	956A0012G10	Valve, Check, 2" NPT Flanges (177 - 222)	1		
	956A0012G05	Valve, Check, 2-1/2" SW (270-480)	1		

* See Figures 9 & 10



**RWF II ROTARY SCREW COMPRESSOR UNIT
SERVICE PARTS LIST**

**S70-610 SPL AUG '05
Page 43**

This page left blank intentionally.

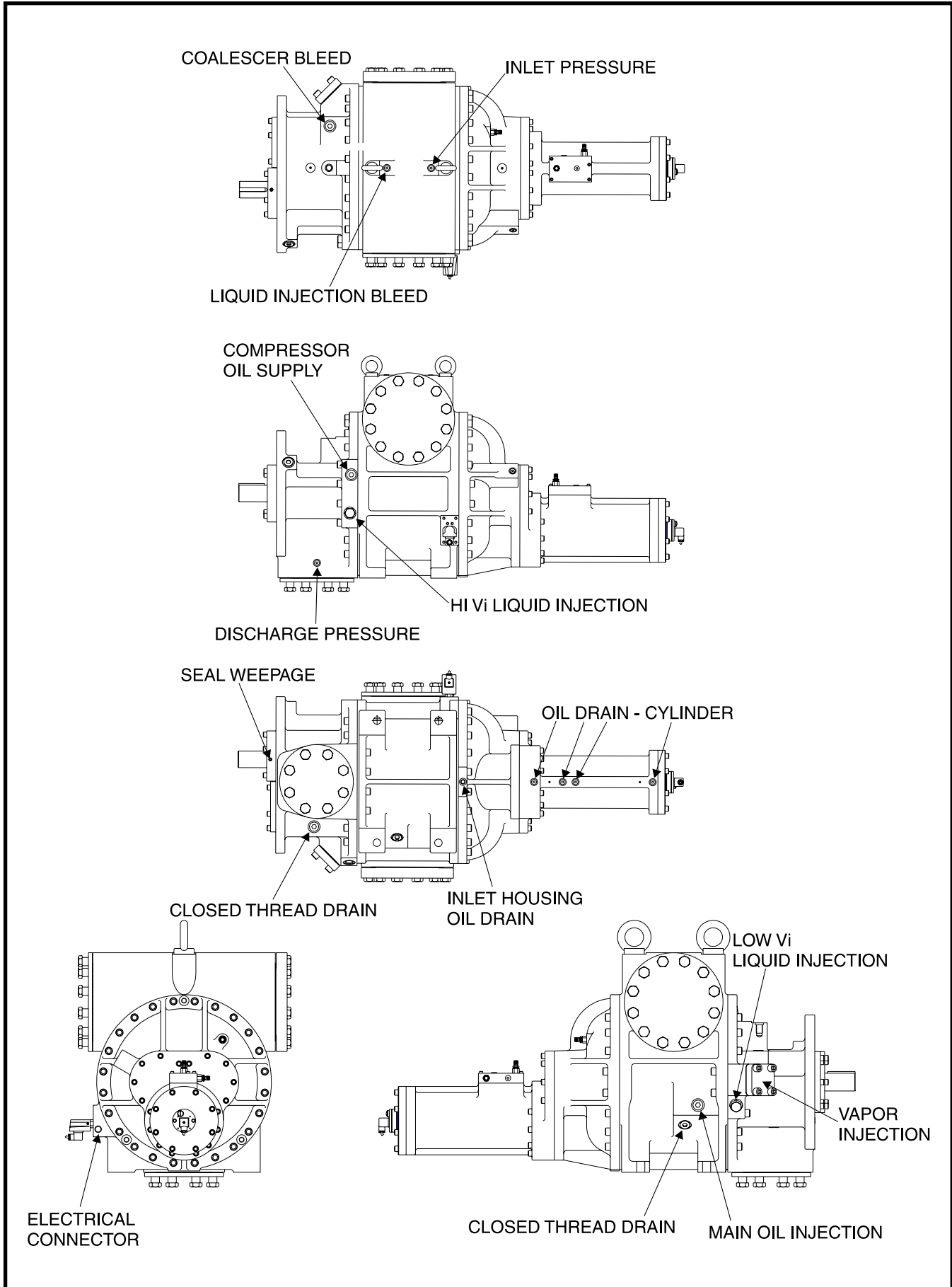


Figure 16. 1913/1918 Compressor Ports Locations.

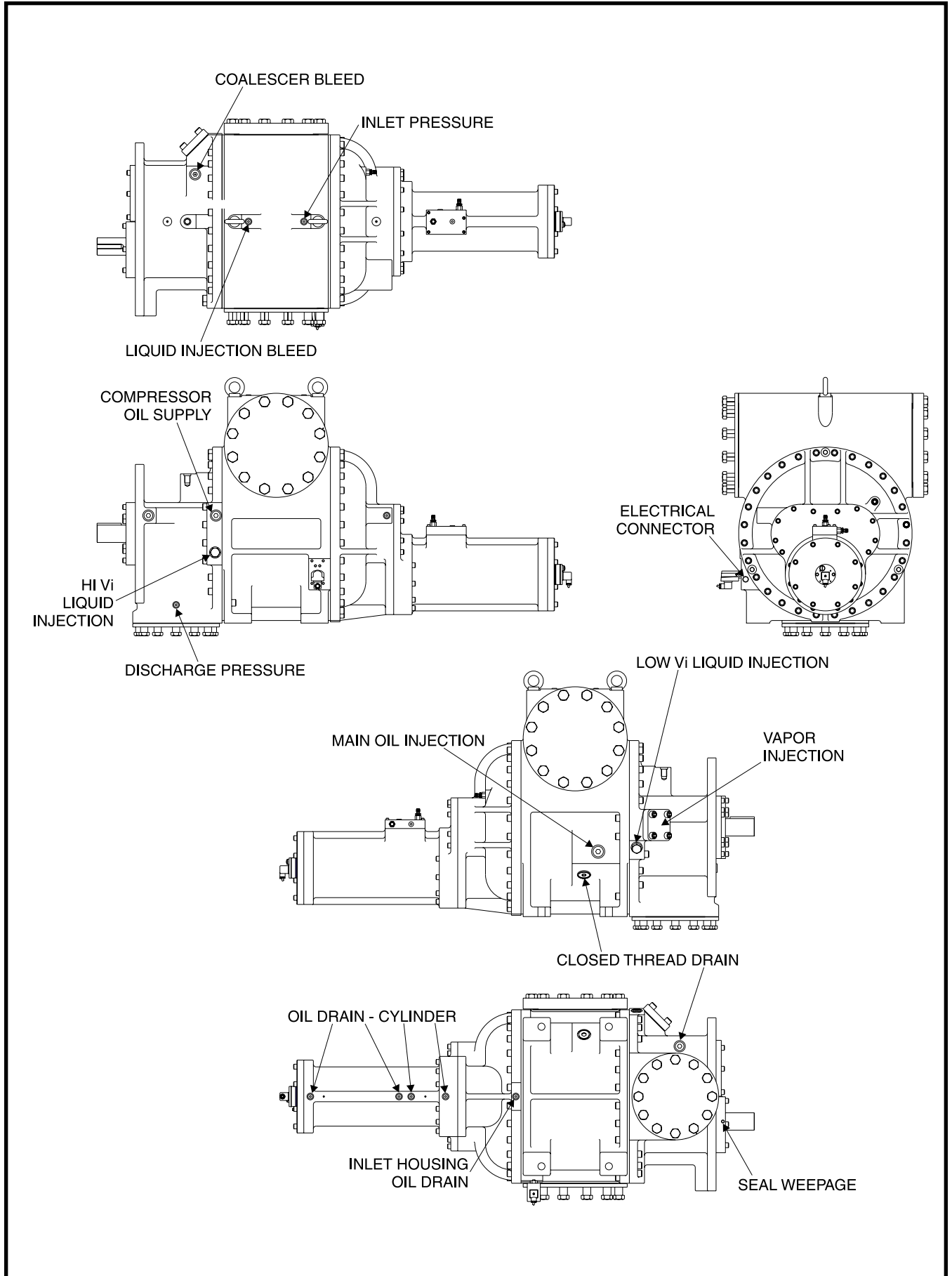


Figure 17. 2313/2317 Compressor Ports Locations.

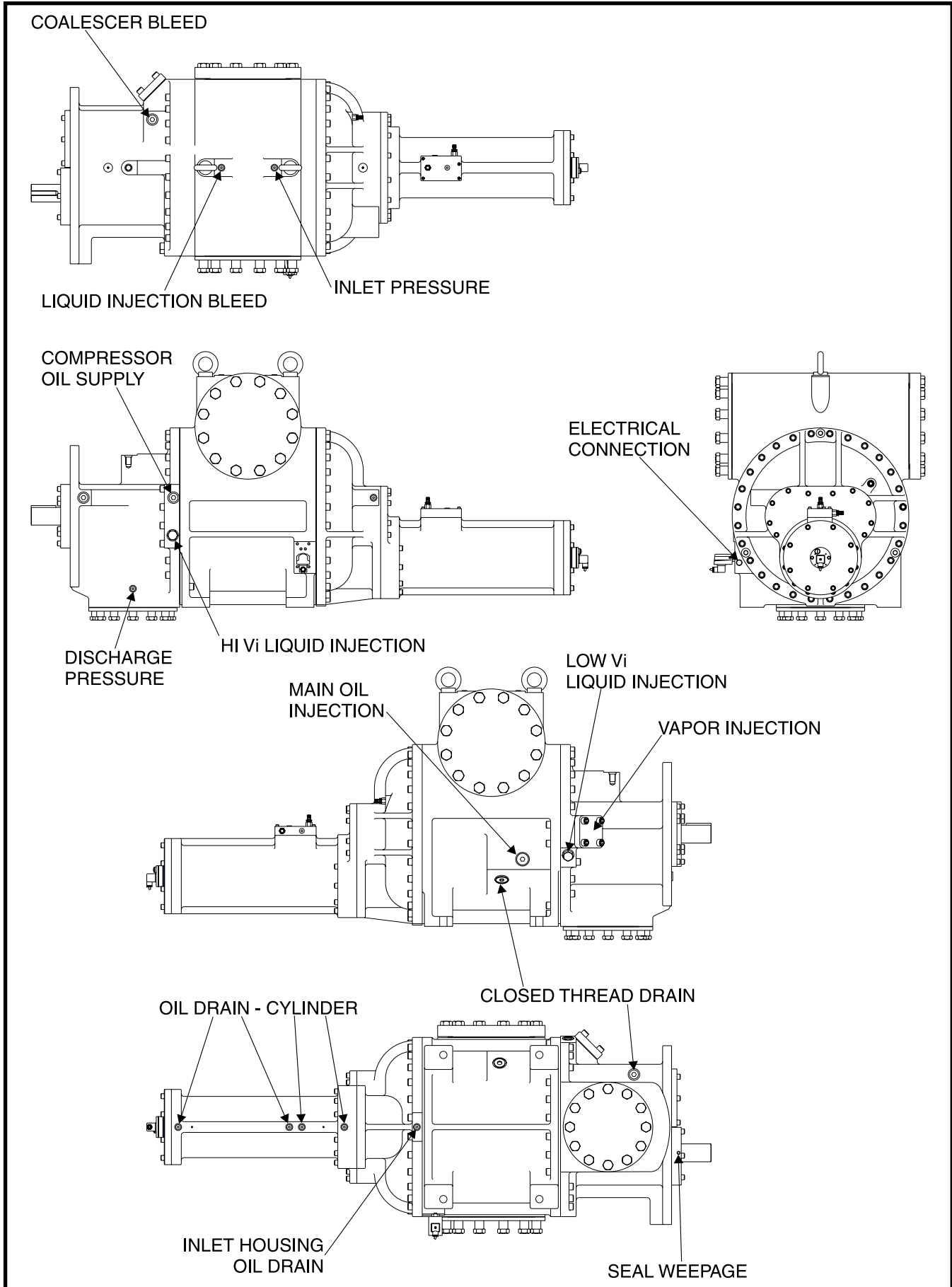


Figure 18. 2321 Compressor Ports Locations.

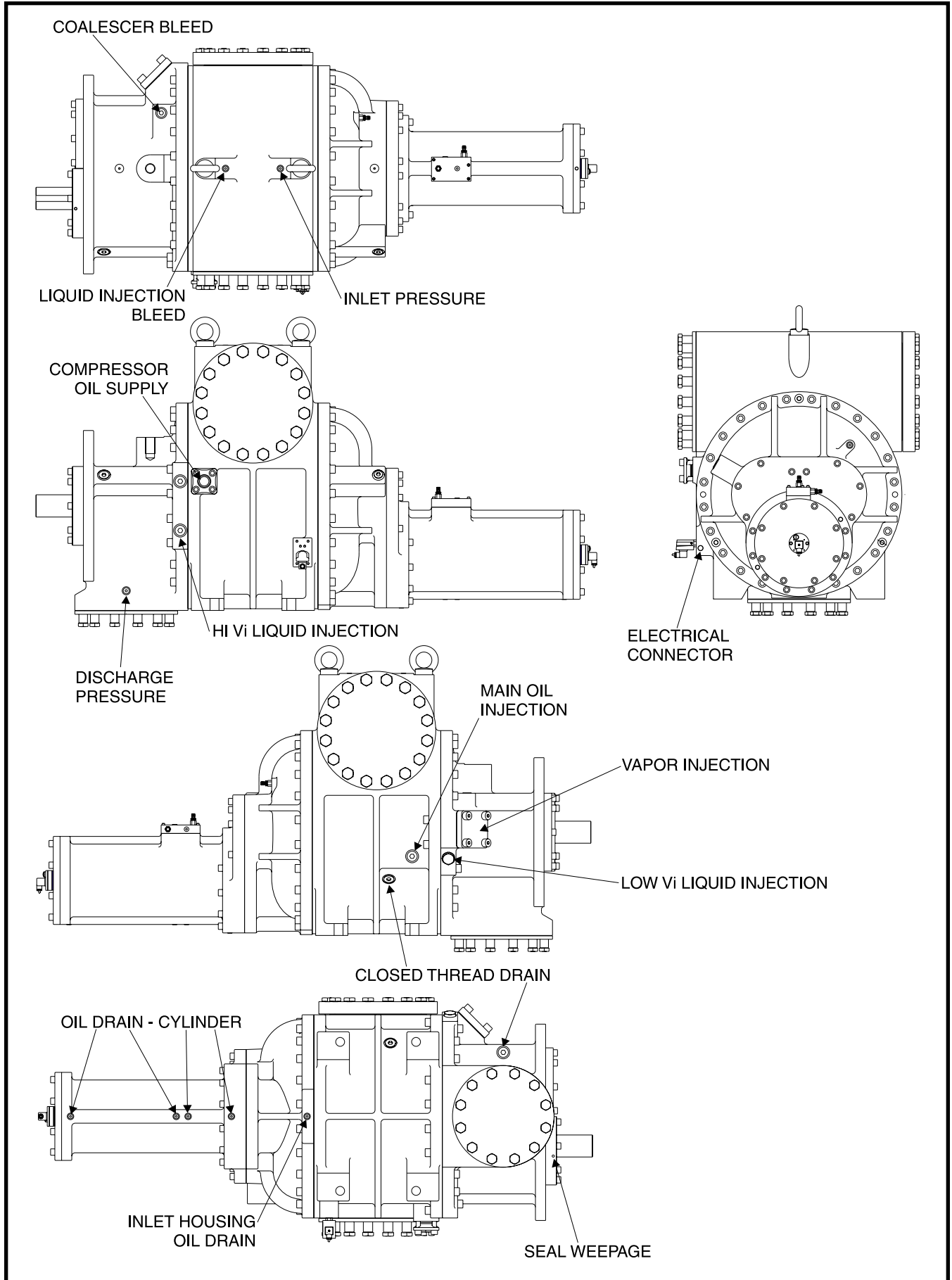


Figure 19. 2813/2817 Compressor Ports Locations.

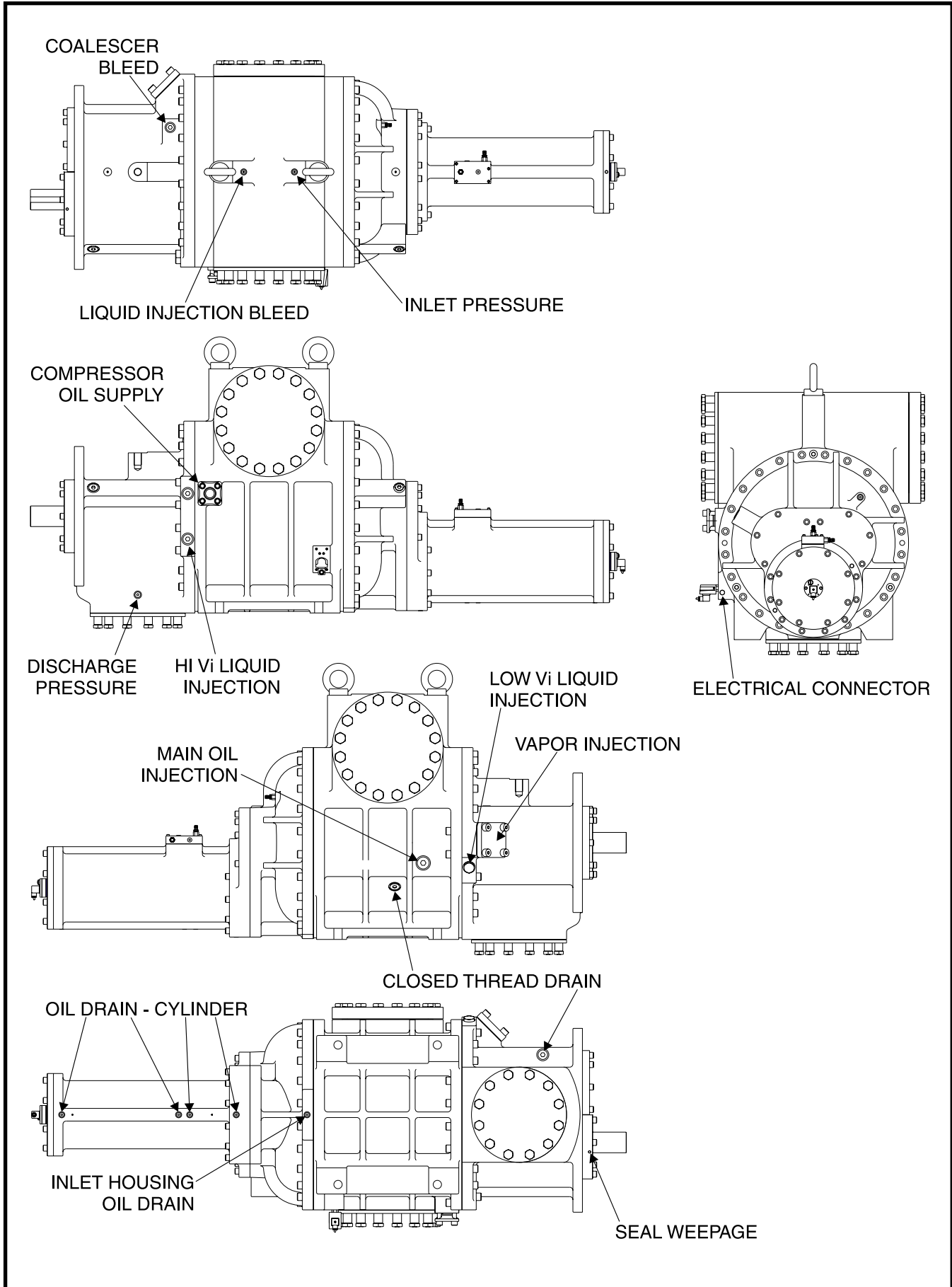


Figure 20. 2821/2824 Compressor Ports Locations, Typical.

COMPRESSOR PORT O-RINGS						
PORT	DESCRIPTION	100-134 O-RING	177-222 O-RING	270 O-RING	316-399 O-RING	480 O-RING
SB-3	Compr Oil Supply	980A0012K66	980A0012K66	980A0012K66	980A0012K69	N/A
SC-5	Inlet Pressure	980A0012K60	980A0012K60	980A0012K60	980A0012K60	980A0012K60
SC-6	Discharge Pressure	980A0014K58	980A0014K58	980A0012K58	980A0014K58	980A0014K58
SC-8	Closed Thrd Drain	980A0012K66	980A0012K66	980A0012K66	980A0012K69	980A0012K69
SC-9	Inlet Hsg Oil Drain	980A0012K60	980A0012K60	980A0012K60	980A0012K60	980A0012K60
SC-13	Oil Drain Cylinder	980A0012K60	980A0012K60	980A0012K60	980A0012K60	980A0012K60
SC-14	Liquid Inj Bleed	980A0012K60	980A0012K60	980A0012K60	980A0012K60	980A0012K60
SD-1	Coalescer Bleed	980A0012K66	980A0012K66	980A0012K66	980A0012K66	980A0012K66
SL-1	Low Vi Liq Injection	980A0012K66	980A0012K66	980A0012K66	980A0012K69	980A0012K69
SL-2	High Vi Liq Injection	980A0012K66	980A0012K66	980A0012K66	980A0012K69	980A0012K69
SM-1	Main Oil Injection	980A0012K66	980A0012K66	980A0012K69	980A0012K69	980A0012K71
SV-1	Vapor Injection	N/A	N/A	N/A	N/A	N/A

MISCELLANEOUS TUBING AND CONNECTORS	
ITEM NUMBER	DESCRIPTION
111Q0880337	Tubing, S. S., 3/8 x .035"
941A0035H08	Tubing, 1/2 x .049" wall
941A0035H09	Tubing, 3/4 x .065" wall
941A0035H10	Tubing 1 x .083" wall
941A0035H11	Tubing, 1-1/4 x .120" wall
944A0114H10	Ell, S. S., 1-1/4 ODT x 1-1/4 FPT
944A0116H09	Conn, 1-1/2 ODT x 3/8 MPT
944A0117H08	Conn, S. S., 1/2 ODT x 1/2 FPT
944A0117H10	Conn, S. S., 1-1/4 ODT x 1-1/4 FPT
944A0439H01	Nipple, S. S., 1/4-18 NPT x 1-1/2"
944A0439H02	Nipple, S. S., 1/4-18 NPT x 2"
944A0439H03	Nipple, S. S., 1/4-18 NPT x 3"
944A0439H04	Nipple, S. S., 3/8-18 NPT x 2"

FRICK FLANGE GASKETS			
GASKET NO.	FLANGE SIZE	ID	OD
959A0057H01	1/4	29/32	1-11/32
959A0057H02	3/8 & 1/2	1-9/32	1-23/32
959A0057H03	3/4 & 1	1-21/32	2-3/32
959A0057H04	1-1/4	1-27/32	2-9/32
959A0057H05	1-1/2	2-1/8	2-3/4
959A0057H06	2-1/2	3	3-3/4
959A0057H07	2	2-1/2	3-1/4
959A0057H08	3-1/2	4-1/8	4-7/8
959A0057H09	4	4-3/4	5-1/2
959A0057H10	5	6-1/4	7
959A0057H11	6	7-3/8	8-1/8
959A0057H12	8	9-9/16	10-1/2
959A0057H13	10	11-7/8	12-15/16
959A0057H14	12	13-1/4	14-1/4
959A0057H15	14	14-3/4	16-1/32
959A0057H16	3/4	1-5/16	1-13/16
959A0057H18	3	3-5/8	4-3/8

**RWF II ROTARY SCREW COMPRESSOR UNIT
SERVICE PARTS LIST**



FRICK COMPRESSOR OILS			
Number	5 Gallon	55 Gallon	330 Gallon
2A	111Q0550019	111Q0550020	333Q0001866
3	111Q0550001	111Q0550010	333Q0001861
4	—	111Q0550005	—
5	111Q0550008	111Q0550009	—
6	333Q0000940	333Q0000941	—
7	111Q0550024	111Q0550025	—
9	333Q0000850	333Q0000849	333Q0001862
10	333Q0000740	333Q0000739	—
11	333Q0000852	333Q0000851	333Q0001863
12	333Q0001141	333Q0001142	—
13	333Q0001253	333Q0001254	—
14	333Q0001144	333Q0001145	—
18	—	333Q0001892	—
NG 1	—	333Q0001850	—
NG 2	—	333Q0001851	—
NG 3	—	333Q0001852	—

Oil Analysis Kit - 333Q0001853
Tube of ODP Motor Grease - 333Q0001860

FRICK BLUE PAINT	
Size Each	Item Number
1 PT.	993A0001H01*
1 GAL.	333Q0000404
2 GAL.	333Q0000724**

* Spray Can

** Matte finish epoxy paint. One gallon each of resin and cure that require mixing.

ADAPTERS - STRAIGHT THREAD TO NPTF⁽¹⁾		
Straight Thread Size	NPTF Size	Frick Part Number
9/16-18	1/4-18	944A0246H01
3/4-16	1/4-18	944A0246H02
3/4-16	3/8-18	944A0246H03
3/4-16	1/2-14	944A0246H04
7/8-14	1/4-18	944A0246H05
7/8-14	3/8-18	944A0246H06
7/8-14	1/2-14	944A0246H07
7/8-14	3/4-14	944A0246H08
1 1/16-12	1/2-14	944A0246H09
1 1/16-12	3/4-14	944A0246H10
1 3/16-12	1/2-14	944A0246H11
1 3/16-12	3/4-14	944A0246H12
1 5/16-12	1/2-14	944A0246H13
1 5/16-12	3/4-14	944A0246H14
1 5/16-12	1-11 1/2	944A0246H15
1 5/8-12	1-11 1/2	944A0246H16
1 5/8-12	1 1/4-11 1/2	944A0246H17
1 7/8-12	1-11 1/2	944A0246H18
1 7/8-12	1 1/2-11 1/2	944A0246H19
7/16-20	1/4-18	944A0246H20

1. Measurements in inches.

WIRING HARNESSES CHART

Model Number	DESCRIPTION
RWFII 100/134	
649D5195G01	HARNESS INSTALLATION DRAWING
649D5195G02	HARNESS INSTALLATION DRAWING "STARTER OPTION"
649D5127H01	WIRE TRAY
649D5118H01	WIRE HARNESS AC
649D5117H01	WIRE HARNESS DC
RWFII 177/222	
649D5231G01	HARNESS INSTALLATION DRAWING
649D5231G02	HARNESS INSTALLATION DRAWING "STARTER OPTION"
649D5230H01	WIRE TRAY
649D5232H01	WIRE HARNESS AC
649D5233H01	WIRE HARNESS DC
RWFII 270/316/399	
649D5263G01	HARNESS INSTALLATION DRAWING
649D5263G02	HARNESS INSTALLATION DRAWING "STARTER OPTION"
649D5262H01	WIRE TRAY
649D5261H01	WIRE HARNESS AC
649D5260H01	WIRE HARNESS DC
RWFII 480/546	
649D5225G01	HARNESS INSTALLATION DRAWING
649D5225G02	HARNESS INSTALLATION DRAWING "STARTER OPTION"
649D5226H01	WIRE TRAY
649D5227H01	WIRE HARNESS AC
649D5228H01	WIRE HARNESS DC
RWFII 496 OS/676	
649D5265G01	HARNESS INSTALLATION DRAWING
649D5219G02	HARNESS INSTALLATION DRAWING "STARTER OPTION"
649D5186H01	WIRE TRAY
649D5189H01	WIRE HARNESS AC
649D5264H01	WIRE HARNESS DC
RWFII 676 OS/856	
649D5219G01	HARNESS INSTALLATION
649D5219G02	HARNESS INSTALLATION DRAWING "STARTER OPTION"
649D5186H01	WIRE TRAY
649D5189H01	WIRE HARNESS AC
649D5190H01	WIRE HARNESS DC
RWFII 1080	
649D5219G01	HARNESS INSTALLATION DRAWING
649D5219G02	HARNESS INSTALLATION DRAWING "STARTER OPTION"
649D5186H01	WIRE TRAY
649D5189H01	WIRE HARNESS AC
649D5190H01	WIRE HARNESS DC

RWF II ROTARY SCREW COMPRESSOR UNIT
NUMERICAL PARTS LIST



ITEM NUMBER	FIG. & INDEX NO.	ITEM NUMBER	FIG. & INDEX NO.	ITEM NUMBER	FIG. & INDEX NO.
5530013	4—1	582C0030G01	1—7	720C0086H01	14—1
5530013	5—1	582C0030G01	15—16	720G0030H05	15—1
5530014	4—1	582C0030G03	1—7	720M0316G01	3—7
5530014	5—1	582C0030G03	15—16	720M0316G02	3—7
5530015	4—1	582C0031G01	1—7	720M0316G03	3—7
5530015	5—1	582C0031G01	15—16	900A0007H01	4—11
111Q0940164	11—11	582C0031G03	1—7	900A0008H01	4—12
333Q0001237	4—14	582C0031G03	15—16	901A0043D05	4—8
333Q0001268	4—9	582C0032G01	1—7	901A0045D04	3—14
333Q0001810	3—4	582C0032G01	15—16	901A0046D08	6—11
333Q0001810	3—4	582C0032G03	1—7	901A0046D09	6—11
531A0105H04	3—1	582C0032G03	15—16	901A0046D09	6—11
531A0218H02	4—10	582C0033G01	1—7	901A0046D09	7—8
531B0099H01	3—8	582C0033G01	15—16	901A0046D09	7—8
531B0099H01	3—8	582C0033G03	1—7	901A0048D09	11—12
531B0099H01	3—8	582C0033G03	15—16	901A0098H11	4—4
531B0099H01	3—8	639A0151G01	3—6	901A0172H03	6—6
531B0099H01	3—8	639A0151H01	3—6	901A0172H05	6—6
531B0099H01	3—8	640D0133G01	1—5	901A0172H05	7—7
534A0032H02	2—1	649A0890H02	8—3	901A0172H06	6—6
534A0260H01	11—14	649A0890H02	8—3	901A0192H06	2—13
534A0662H02	2—4	649A0890H02	8—3	901A0206H09	2—13
534A0662H03	2—4	649A0890H02	8—3	901A0207H10	2—13
534A0662H04	2—4	649A0890H02	8—3	901A0228H20	2—7
534C1264H01	2—3	649A0890H02	8—3	902A0021H01	3—12
534C1264H02	2—3	649A0890H02	8—3	902A0021H01	4—15
534C1264H03	2—3	649A0890H02	8—3	902A0021H03	4—5
534C1264H04	2—3	649A0890H02	8—3	902A0021H03	6—12
534C1264H05	2—3	649A0890H02	8—3	902A0021H03	7—8
534C1314H01	2—1	649A0890H11	8—3	902A0021H03	7—8
534C1314H02	2—1	649A0890H11	8—3	905A0007H05	4—13
534C1478H01	2—1	649A0890H11	8—3	905A0012H05	3—13
534C1478H02	2—1	649A0890H11	8—3	905A0013H08	11—13
534D1251H01	2—2	649A0890H11	8—3	913A0047H02	3—4
534D1251H03	2—2	649A0890H11	8—3	913A0047H04	3—4
534M0163G02	2—10	649A0890H11	8—3	913A0092G02	3—4
534M0163G03	2—10	649A0890H11	8—3	913A0092G04	3—4
534M0163G04	2—10	649A0890H11	8—3	913A0094H01	15—12
534M0163G05	2—10	649A0890H11	8—3	913A0097G01	15—12
535A0144H01	4—6	720B0030G01	15—1	913A0098H01	3—6
535D0193C04	11—4	720B0030H02	15—1	913A0100H01	3—6
535E0116H01	2—5	720B0030H03	15—1	913A0110H01	1—5
535E0116H11	2—5	720B0030H04	15—1	913A0110H02	2—11
540D0217G02	3—10	720B0030H06	15—1	913A0123H01	3—5
540D0217G03	3—11	720B0030H07	15—1	913A0123H11	3—5
540D0217H06	3—9	720B0030H08	15—1	913A0123H12	3—5
553A0001H01	4—3	720B0030H21	15—1	913A0124H01	15—13
569C0262G10	11—15	720B0030H22	15—1	913A0124H02	4—16
580A0230H01	11—9	720C0067G01	7—8	913A0124H02	5—4
580A0234H02	11—10	720C0068G01	7—8	913A0124H02	15—13
580B0240G08	11—5	720C0078H01	14—1	914A0015H02	13—1
580B0246G09	11—6	720C0078H02	14—1	914A0015H02	13—1
580C0269H01	11—8	720C0078H04	14—1	914A0015H02	13—1
580C0404G07	3—7	720C0078H06	14—1	914A0015H02	13—1
580C0407G07	3—7	720C0079H01	14—1	914A0015H02	13—1

ITEM NUMBER	FIG. & INDEX NO.	ITEM NUMBER	FIG. & INDEX NO.	ITEM NUMBER	FIG. & INDEX NO.
914A0015H02	13—1	950A0075H09	6—8	950A0233H05	12—3
914A0015H02	13—1	950A0075H09	7—8	950A0233H05	15—9
914A0015H03	13—1	950A0075H26	6—8	950A0233H06	4—17
914A0015H03	13—1	950A0075H28	6—8	950A0233H06	5—2
914A0015H03	13—1	950A0075H28	7—8	950A0233H06	6—1
914A0016H02	13—1	950A0075H29	6—8	950A0233H06	12—3
914A0016H02	13—1	950A0075H29	7—8	950A0233H06	15—9
914A0016H20	13—1	950A0075H46	6—8	950A0233H06	15—11
914A0016H23	13—1	950A0075H48	6—8	950A0237H03	3—16
944A0046H16	11—2	950A0075H48	7—8	950A0237H03	15—7
944A0108H05	6—4	950A0075H49	6—8	950A0240H09	1—7
944A0108H07	6—4	950A0075H49	7—8	950A0240H10	1—5
944A0108H07	7—5	950A0169G01	11—1	950A0240H10	1—7
944A0108H08	6—4	950A0169G02	11—1	950A0240H10	15—17
944A0117H01	8—7	950A0195H01	15—10	950A0240H11	1—5
944A0126H06	6—9	950A0195H02	15—10	950A0240H11	1—7
944A0126H08	6—9	950A0195H11	15—10	950A0240H11	15—17
944A0126H08	7—8	950A0195H11	15—10	950A0240H12	1—5
944A0126H10	6—9	950A0222H01	15—10	950A0240H12	1—7
944A0126H10	7—8	950A0222H11	15—10	950A0240H12	15—17
944A0358H02	12—4	950A0232H21	8—1	950A0240H24	4—17
944A0358H03	12—4	950A0232H21	8—1	950A0240H24	5—2
944A0358H04	12—4	950A0232H21	8—2	950A0240H24	5—3
944A0358H05	12—4	950A0232H21	8—2	950A0240H24	7—1
947A0003H05	3—2	950A0232H22	3—16	950A0240H24	12—3
950A0001H06	12—1	950A0232H22	4—17	950A0240H24	15—9
950A0001H07	6—2	950A0232H22	5—2	950A0240H24	15—11
950A0001H07	7—4	950A0232H22	5—3	950A0240H27	15—17
950A0001H07	15—19	950A0232H22	8—1	950A0240H28	15—17
950A0001H08	12—1	950A0232H22	8—1	950A0240H29	15—17
950A0001H09	12—1	950A0232H22	8—1	950A0241H07	4—17
950A0001H11	12—1	950A0232H22	8—2	950A0241H07	5—2
950A0001H25	12—1	950A0232H22	8—2	950A0241H07	6—1
950A0001H26	6—2	950A0232H22	8—2	950A0241H07	7—1
950A0001H26	7—4	950A0232H22	12—3	950A0241H07	12—3
950A0001H26	15—19	950A0232H22	15—2	950A0241H07	15—9
950A0001H27	12—1	950A0232H22	15—7	950A0241H07	15—11
950A0001H28	12—1	950A0232H22	15—9	950A0245H01	8—2
950A0001H29	12—1	950A0232H22	15—15	950A0245H02	8—2
950A0001H35	6—2	950A0232H23	4—17	950A0245H03	8—2
950A0069H07	6—2	950A0232H23	5—2	950A0245H04	8—2
950A0069H07	15—19	950A0232H23	5—3	950A0245H05	5—3
950A0069H08	6—2	950A0232H23	12—3	950A0245H05	8—2
950A0069H08	15—19	950A0232H23	15—9	950A0245H06	5—3
950A0069H25	6—2	950A0232H23	15—11	950A0253H07	5—3
950A0069H25	6—2	950A0232H32	3—16	950A0281H01	15—1
950A0069H25	15—19	950A0233H01	8—1	950A0283H01	1—5
950A0069H25	15—19	950A0233H02	8—1	950A0289G01	8—3
950A0069H37	6—2	950A0233H03	8—1	950A0289G02	8—3
950A0069H37	15—19	950A0233H03	15—2	950A0289G03	8—3
950A0069H38	6—2	950A0233H03	15—15	950A0289G04	8—3
950A0069H38	15—19	950A0233H04	8—1	950A0289G05	8—3
950A0075H06	6—8	950A0233H05	4—17	950A0289H01	8—3
950A0075H08	6—8	950A0233H05	5—2	950A0289H01	8—3
950A0075H08	7—8	950A0233H05	8—1	950A0289H02	8—3

RWF II ROTARY SCREW COMPRESSOR UNIT
NUMERICAL PARTS LIST



ITEM NUMBER	FIG. & INDEX NO.	ITEM NUMBER	FIG. & INDEX NO.	ITEM NUMBER	FIG. & INDEX NO.
950A0289H03	8—3	951A0095H02	8—3	956A0014H02	15—18
950A0289H11	8—3	951A0095H02	8—3	956A0025H23	12—2
950A0289H21	8—3	951A0102H20	2—9	956A0025H24	12—2
950A0289H21	8—3	951A0103H01	2—8	956A0025H25	12—2
950A0289H22	8—3	951A0103H02	2—8	956A0025H26	12—2
950A0289H22	8—3	951A0103H05	2—8	956A0045H01	1—7
950A0289H23	8—3	951A0103H06	2—8	956A0045H02	1—7
950A0290H01	8—3	951A0104H01	8—3	956A0046H01	1—7
950A0290H02	8—3	951A0104H02	8—3	956A0046H02	1—7
950A0290H25	8—3	951A0105H01	8—3	956A0047H01	1—7
950A0290H25	8—3	951A0105H21	8—3	956A0047H02	1—7
950A0290H26	8—3	951A0106H01	8—3	956A0048H01	1—7
950A0290H26	8—3	951A0107H01	8—3	956A0048H02	1—7
950A0291H01	8—3	952A0051H10	3—7	956A0050H03	1—5
950A0291H02	8—3	952A0052H10	3—7	956A0050H03	15—17
950A0292H01	4—16	952A0053H10	3—7	956A0050H04	1—5
950A0292H01	5—4	952A0055H07	3—7	956A0050H04	15—17
950A0292H01	6—2	952A0058H07	3—7	956A0050H05	1—5
950A0292H01	7—2	954A0062H03	4—18	956A0050H05	15—17
950A0292H01	8—5	954A0062H03	5—5	956A0050H06	1—5
950A0292H01	15—6	954A0062H03	15—8	956A0050H06	15—17
950A0292H02	15—6	954A0062H04	4—18	956A0052H01	15—14
950A0293H01	8—3	954A0062H04	5—5	956A0063H05	4—18
950A0293H01	8—3	954A0062H04	15—8	959A0053H01	4—7
950A0293H01	8—3	954A0062H28	5—5	959A0054H06	6—10
950A0293H01	8—3	954A0062H28	15—8	959A0054H08	6—10
950A0293H01	8—3	954A0062H29	5—5	959A0054H08	7—8
950A0293H02	8—3	954A0062H29	15—8	959A0054H10	6—10
950A0293H02	8—3	954A0064H01	8—4	959A0054H10	7—8
950A0293H02	8—3	954A0064H02	8—4	959A0054H25	6—5
950A0293H02	8—3	954A0064H11	8—4	959A0054H27	6—5
950A0293H02	8—3	954A0065H01	8—4	959A0054H27	7—6
950A0294H01	6—7	954A0065H02	8—4	959A0054H28	6—5
950A0294H02	6—7	954A0065H11	8—4	959A0054H30	2—12
950A0294H02	7—9	954A0066H01	8—4	959A0054H30	3—3
950A0294H11	6—7	954A0067H01	8—4	959A0054H31	1—5
950A0294H11	6—7	954A0068H01	8—4	959A0054H31	2—3
950A0294H11	7—9	954A0068H11	8—4	959A0054H31	2—14
950A0297H01	6—7	955B0001H02	3—7	959A0054H31	15—17
950A0297H01	7—9	955B0002H02	3—7	959A0054H32	1—5
950A0297H11	6—7	955B0005H01	3—7	959A0054H32	1—5
950A0297H11	7—9	955B0005H02	3—7	959A0054H32	2—3
951A0053G01	8—7	955B0005H03	3—7	959A0054H32	2—12
951A0053G01	8—7	956A0012G03	6—3	959A0054H32	2—14
951A0053G11	8—7	956A0012G03	15—20	959A0054H32	3—3
951A0053H01	8—7	956A0012G04	13—2	959A0054H32	15—17
951A0054H01	8—7	956A0012G04	15—18	959A0054H32	15—17
951A0095H01	8—3	956A0012G05	6—3	959A0054H33	1—5
951A0095H01	8—3	956A0012G05	7—3	959A0054H33	1—5
951A0095H01	8—3	956A0012G05	15—20	959A0054H33	2—3
951A0095H01	8—3	956A0012G10	6—3	959A0054H33	2—3
951A0095H01	8—3	956A0012G10	15—20	959A0054H33	2—12
951A0095H02	8—3	956A0014H01	13—2	959A0054H33	2—14
951A0095H02	8—3	956A0014H01	15—18	959A0054H33	3—3
951A0095H02	8—3	956A0014H02	13—2	959A0054H33	15—17

		NOTES			
ITEM NUMBER	FIG. & INDEX NO.	ITEM NUMBER	FIG. & INDEX NO.	ITEM NUMBER	FIG. & INDEX NO.
959A0054H33	15—17	980A0012A61	2—6		
959A0054H34	2—3	980A0012K60	8—8		
959A0054H34	2—14	980A0012K60	15—5		
959A0057H05	12—4	980A0012K66	8—9		
959A0057H06	12—4	980A0012K66	15—3		
959A0057H07	12—4	980A0012K66	15—4		
959A0057H18	12—4	980A0012K69	8—9		
959A0061H05	11—7	980A0014K60	2—1		
959A0062H27	11—3	990A0011H02	8—6		
959A0082H01	4—2				
959A0098H01	1—5				
959A0098H01	15—17				
959A0100H01	3—15				
960A0066H11	13—1				
960A0066H11	13—1				
960A0066H11	13—1				
960A0066H11	13—1				
960A0066H11	13—1				
960A0066H11	13—1				
960A0066H11	13—1				
960A0066H11	13—1				
960A0066H11	13—1				
960A0066H12	13—1				
960A0066H12	13—1				
960A0066H12	13—1				
960A0073H13	13—1				
960A0073H13	13—1				
960A0073H13	13—1				
960A0073H13	13—1				
960A0082G01	13—1				
960A0082G02	13—1				
960A0082G03	13—1				
960A0082G04	13—1				
960A0082G05	13—1				
960A0082G06	13—1				
960A0082G07	13—1				
960A0082G08	13—1				
960A0082G09	13—1				
960A0082G10	13—1				
960A0082H01	13—1				
960A0082H01	13—1				
960A0082H01	13—1				
960A0082H01	13—1				
960A0082H01	13—1				
960A0082H01	13—1				
960A0082H01	13—1				
960A0082H01	13—1				
960A0082H01	13—1				
960A0082H02	13—1				
960A0082H02	13—1				
960A0082H02	13—1				
960A0083G01	13—1				
960A0083G02	13—1				
960A0083G03	13—1				
960A0083G04	13—1				
960A0083H01	13—1				
960A0083H01	13—1				
960A0083H01	13—1				
960A0083H01	13—1				

NOTES

NOTES

Form S70-610 SPL (AUG 2005)
Supersedes: NOTHING
Subject to change without notice
Printed in USA • GUI 2000 805 1.06
© 2006 Johnson Controls Inc. - ALL RIGHTS RESERVED



FRICK
100 CV Avenue • P.O. Box 997
Waynesboro, PA USA 17268-0997
Phone: 717-762-2121 • FAX: 717-762-8624
www.frickcold.com