



S70-650 SPL/MAY 2004

File: SERVICE MANUAL - Section 70
Replaces: S70-650 SPL/SEP 2000
Dist: 3, 3a, 3b, 3c

Service Parts List

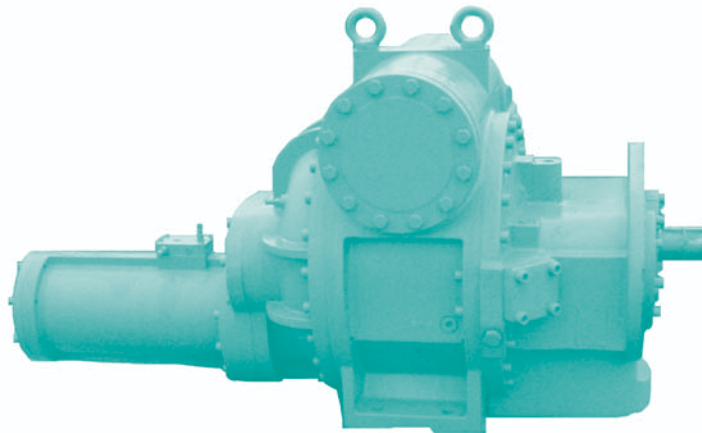
SGC

ROTARY SCREW COMPRESSORS

MODELS:

SGC 193, 233, and 283

SGCB/SGCH 355





HOW TO USE SERVICE PARTS LIST

This Service Parts List is for standard Frick SGC, Rotary Screw Compressor Units. Units built with special options, modifications, or conversions are not taken into consideration.

This Service Parts List provides identification for detail parts by Figure and Index Number, Item Number and Description. To determine correct replacement item, locate item on Figure 1, 2, etc., note index number, refer to corresponding index number in parts list for item number and description. Quantity per assembly is located in QTY. column. Unit of measure is always "each" unless specified otherwise in Quantity column. When Ref. is in QTY. column, this means that the Item Number is for information only and is not necessarily a service replacement part. Contact Frick Parts Department for more information. REV. (Revision) column tells the level of the engineering drawing used here.

The Numerical Parts List can be used to locate a specific item in the Service Parts List. Look for the part by Frick Item Number and it will refer you to the Figure and Index Number where it is located.

Abbreviations found in this manual include:

A/R As Required

Ref. Reference

The **Model/Serial Number Plate**, is located on the discharge housing.

NOTE: PLEASE PROVIDE FRICK ORDER NUMBER, UNIT MODEL NUMBER, AND UNIT SERIAL NUMBER WHEN REQUESTING A QUOTATION OR PLACING AN ORDER. FAILURE TO INCLUDE THIS INFORMATION MAY DELAY PROCESSING OF YOUR REQUEST.

TABLE OF CONTENTS

HOW TO USE SERVICE PARTS LIST 2

RECOMMENDED SPARE PARTS KITS - CURRENT DESIGN 3

Figure 1a. SGC 193 Screw Compressor Cross Section, Side 4

Figure 1b. SGC 193 Screw Compressor Cross Section, Top 5

Figure 2a. SGC 233 Screw Compressor Cross Section, Side 8

Figure 2b. SGC 233 Screw Compressor Cross Section, Top 9

Figure 3a. SGC 283 Screw Compressor Cross Section, Side 14

Figure 3b. SGC 283 Screw Compressor Cross Section, Top 15

Figure 4a. SGCB 3511-3519 Screw Compressor Cross Section, Side 20

Figure 4b. SGCB 3511-3519 Screw Compressor Cross Section, Top 21

Figure 5a. SGCB 3524 Screw Compressor Cross Section, Side 26

Figure 5b. SGCB 3524 Screw Compressor Cross Section, Top 27

Figure 6a. SGCH 3511-3519 Screw Compressor Cross Section, Side 32

Figure 6b. SGCH 3511-3519 Screw Compressor Cross Section, Top 33

Figure 7. SV Indication Mechanism (units prior to 2001). 37

FRICK BLUE PAINT 38

FRICK COMPRESSOR OILS 38

NUMERICAL PARTS LIST 39



RECOMMENDED SPARE PARTS KITS - CURRENT DESIGN

DESCRIPTION	193	233	283	355	SYMBOL
Shaft Seal Kit	534M0163G02	534M0163G03	534M0163G04	534M0163G05	●
O-ring Kit ⁽¹⁾	534B0768H01	534B0769H01	⁽⁵⁾	534B1018H01	■
Bearing Kit ⁽²⁾	534B0841G01	534B0842G01	534B0843G01	⁽⁸⁾	◆
Compressor Tool Kit ⁽³⁾	534A0123G01	534A0124G01	534A0125G01	534A0213G01	
Linear Transmitter ⁽⁶⁾	534C1478H02	534C1478H02	534C1478H02	534C1478H02	
Linear Transmitter ⁽⁷⁾	534D1251H03	534D1251H03	534D1251H03	534D1251H03	

Note: When stocking the above, adjust quantity to meet your individual requirements.

1. O-rings only in this kit. Order gaskets, seals, and rings separately.
2. Contains all bearings, and shims needed to set end play and clearance.
3. Compressor Tool Kits also work for equivalent size TDS compressors.
4. These symbols, on parts lists in this manual, show items in the kit.
5. For models 2813 & 2817, use kit 534B0834H01. For model 2821 & 2824, use kit 534B0776H01.
6. Short stroke, less well. Short Stroke Linear Transmitter Assembly, with well: 534C1478H01.
7. Long stroke, less well. Long Stroke Linear Transmitter Assembly, with well: 534D1251H01.
8. For SGCH3511, 3515 & 3519 use Kit 534A0919G01.
For SGCB3511, 3515 & 3519 use Kit 534A0920G01.
For SGCB3524 use Kit 534A0921G01.

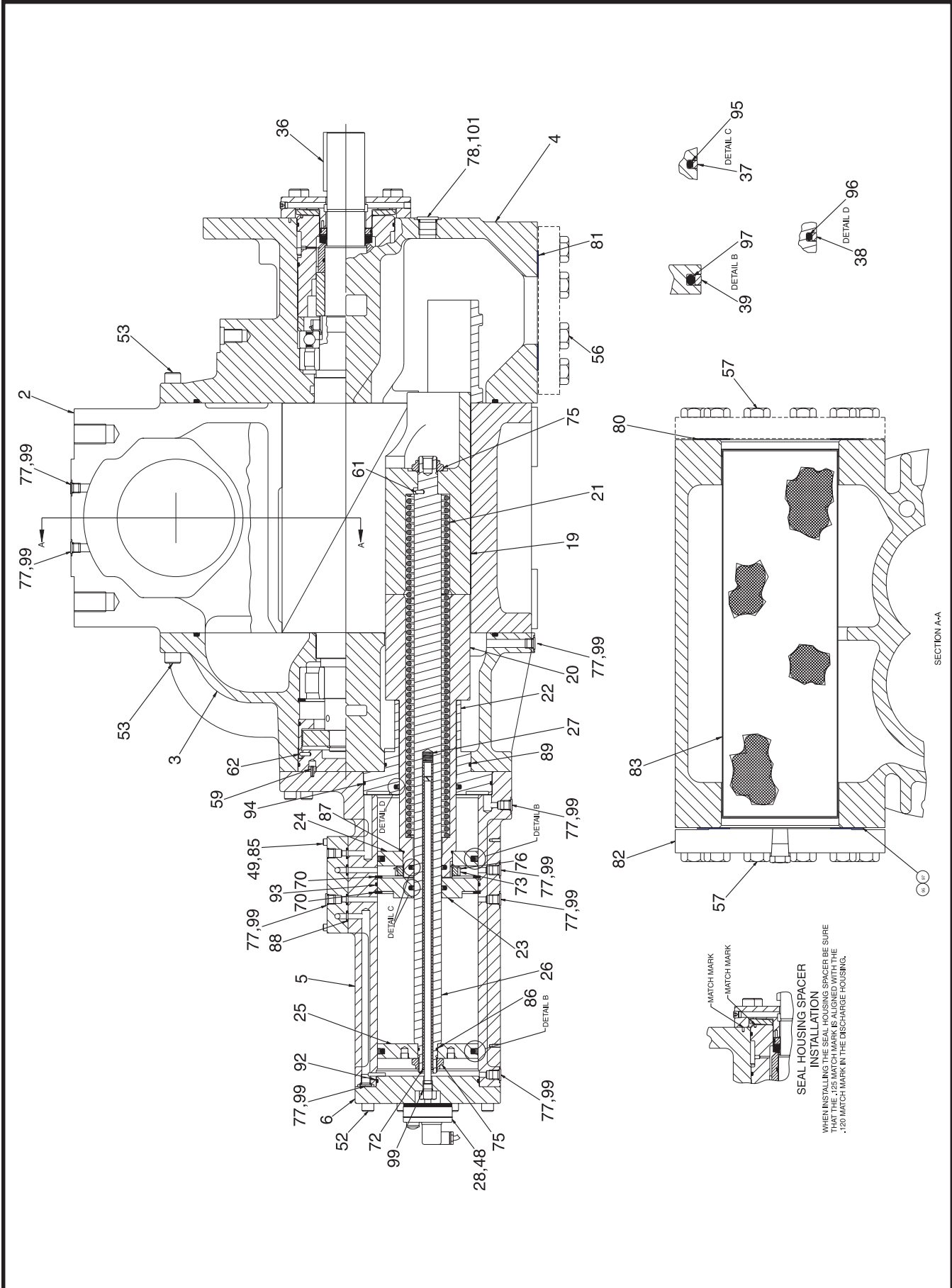


Figure 1a. SGC 193 Screw Compressor Cross Section, Side.

FIG. & INDEX	ITEM NUMBER	DESCRIPTION	QTY.	REV.
1—	534E0672G01	Assembly, Compressor, SGC1913, New	Ref.	P
	534E0672S01	Assembly, Compressor, SGC1913, Remanufactured	Ref.	P
	534E0672G02	Assembly, Compressor, SGC1918, New	Ref.	P
	534E0672S02	Assembly, Compressor, SGC1918, Remanufactured	Ref.	P
—1	534A0744G02	Rotor Pair, 1913	1	
	534A0745G02	Rotor Pair, 1918	1	
—2	534E0710G01	Assembly, Rotor Housing, 1913	1	
	534E0710G02	Assembly, Rotor Housing, 1918	1	
—3	534E0655C01	Housing, Inlet	1	
—4	534E0657C01	Housing, Discharge	1	
—5	534E0652C01	Cylinder	1	
—6	534D1220H01	Cover, Cylinder	1	
—7	534C0068C01	Cover, Outlet	1	
—8	534C0138C01	Housing, Seal	1	
—9	534D0121C01	Spacer, Seal Housing	1	
—10	534B0700H01	Spacer, Bearing	1	
—11	534D1169H01	Sleeve, Female Distance	1	
—12	534B0685H01	Ring, Seal Distance	1	
—13	534B0693H01	Plate, Bearing End	1	
—14	534B0103H01	Washer	1	
—15	534C0270H01	Piston, Male Balance	1	
—16	534C0269C01	Sleeve, Male Balance Piston	1	
—17	534C0268C01	Cover, Male Inlet Bore	1	
—18	534D0498C01	Cover, Female Inlet Bore	1	
—19	534D0063C01	Valve, Slide, 1913	1	
	534D0046C01	Valve, Slide, 1918	1	
—20	534D0061C01	Stop, Slide, 1913	1	
	534D0049C01	Stop, Slide, 1918	1	
—21	534C1360H01	Spring, Unloader, 1913	1	
	534C1360H02	Spring, Unloader, 1918	1	
—22	534C1295C01	Cover, Slide Stop	1	
—23	534C0061C01	Cover, Internal Cylinder	1	
—24	534C0062C01	Piston, Slide Stop	1	
—25	534C0063C01	Piston, Spindle	1	
—26	534C1410H01	Assembly, Spindle, 1913	1	
	534C1410H02	Assembly, Spindle, 1918	1	
—27	534B0765H01	Spring, Compression	1	
—28	534D1251H01	Assembly, Linear Transmitter, Long Stroke	1	
	534D1251H02	Well, Aluminum Tube	1	
	534D1251H03	Linear Transmitter, less well	1	
—29	534A0032H02	Spring, Compression	1	
—30	534C1314H01	Rod, Indicator	1	
—31	534C1478H01	Assembly, Linear Transmitter, Short Stroke	1	
	534C1478H02	Linear Transmitter, less well	1	
—32	534C1297H01	Plug, Liquid Injection, Low Vi (SL-1)	1	
—33	534C1316H01	Plug, Liquid Injection, High Vi (SL-2)	1	
—34	534C1296C01	Plug, Economizer (SV-1)	1	
—35	959A0057H05	Gasket, Flange, Economizer	1	
—36	534A0662H02	Key, Square	1	
—37	534B0006H02	Seal, Rod	2	
—38	534B0006H03	Seal, Rod	1	
—39	534C0187H02	Glyd Ring®	2	
—40	534C0701H02	Assembly, Shaft Seal ●	1	
—41	534B0004H06	Bearing, Roller ◆	1	
—42	534B0004H07	Bearing, Roller ◆	3	
—43	534B0101H29	Bearing, Ball, Four-Point Contact ◆	1	
—44	534B0101H30	Bearing, Ball, Four-Point Contact ◆	1	
—45	534B0701H01	Shim, Bearing ◆	2	
—46	534B0701H02	Shim, Bearing ◆	1	

FIG. & INDEX	ITEM NUMBER	DESCRIPTION	QTY.	REV.
—47	534B0701H03	Shim, Bearing ◆	1	
—48	901A0202H10	Cap Screw, Socket Head, (M6 x 1.0) x 30mm	2	
—49	901A0202H13	Cap Screw, Socket Head, (M6 x 1.0) x 45mm	4	
—50	901A0224H09	Cap Screw, Socket Head, (M12 x 1.75) x 55mm	15	
—51	901A0224H17	Cap Screw, Socket Head, (M12 x 1.75) x 100mm	8	
—52	901A0224H07	Cap Screw, Socket Head, (M12 x 1.75) x 45mm	13	
—53	901A0223H07	Cap Screw, Socket Head, (M16 x 2.0) x 55mm	47	
—54	901A0223H12	Cap Screw, Socket Head, (M16 x 2.0) x 80mm	5	
—55	534A0076H01	Cap Screw, Socket Head, 3/4–10 UNC x 2"	1	
—56	901A0206H08	Cap Screw, Hex Head, M20 x 2.5 x 60mm	8	
—57	901A0206H09	Cap Screw, Hex Head, M20 x 2.5 x 65mm (1913/1918)	16/24	
—58	534A0038H01	Pin, Spring, .187 x .500" ●	1	
—59	534A0038H02	Pin, Spring, .187 x .625"	1	
—60	534A0038H05	Pin, Spring, .125 x .500"	1	
—61	534A0037H02	Pin, Dowel, Ø5m6 x 12mm	1	
—62	534A0037H03	Pin, Dowel, Ø5m6 x 16mm	1	
—63	534A0037H12	Pin, Dowel, Ø5h8 x 10mm ●	2	
—64	534A0037H14	Pin, Dowel, Ø10h8 x 24mm	1	
—65	534B0149H01	Pin, Dowel, 20mm x 70mm	2	
—66	534B0151H01	Pin, Dowel, 20mm x 70mm, Special	2	
—67	534B0102H04	Washer, Spring, 150 x 81 x 7.4mm	1	
—68	534B0102H05	Washer, Spring, 125 x 61 x 5mm	1	
—69	534B0014H08	Ring, Retaining	2	
—70	534B0015H01	Ring, Retaining	2	
—71	534B0014H11	Ring, Retaining	1	
—72	534B0766H01	Ring, Retaining	1	
—73	534A0035H02	Locknut	1	
—74	534A0035H15	Locknut	1	
—75	534A0772H03	Locknut	2	
—76	534B0125H02	Lockwasher	1	
—77	944A0228H05	Plug, Straight Thread O-ring, 9/16–18	12	
—78	944A0228H08	Plug, Straight Thread O-ring, 1-1/16–12 (SM-1, SC-8)	7	
—79	534C0194H11	Plug, Orifice, 3/8-18 NPTF w/.257" orifice, 1913	1	
—79	534C0194H12	Plug, Orifice, 3/8-18 NPTF w/.277" orifice, 1918	1	
—80	959A0054H31	Gasket, Suction, 1913	2	
—80	959A0054H32	Gasket, Suction, 1918	2	
—81	959A0054H30	Gasket, Discharge	1	
—82	535A0505H01	Flange, 5", w/3/4" port, 1913	1	
—82	535A0505H02	Flange, 6", w/3/4" port, 1918	1	
—83	534C1264H01	Strainer, Suction, 1913	1	
—83	534C1264H02	Strainer, Suction, 1918	1	
—84	534B0125H16	Lockwasher	1	
—85	534C1745H01	Adapter Block, Cylinder	1	
—86	980A0012A70	O-ring ■	1	
—87	980A0012A98	O-ring ■	1	
—88	980A0012B33	O-ring ■	1	
—89	980A0012B79	O-ring ■	1	
—90	980A0012B83	O-ring ■	3	
—91	980A0012B84	O-ring ■ ●	3	
—92	980A0012B87	O-ring ■	1	
—93	980A0012B88	O-ring ■	1	
—94	980A0012B93	O-ring ■	1	
—95	980A0012H35	O-ring ■	2	
—96	980A0012H49	O-ring ■	1	
—97	980A0012K09	O-ring ■	2	
—98	980A0012K43	O-ring ■	2	
—99	980A0012K60	O-ring ■	15	
—100	980A0012K62	O-ring ■	1	
—101	980A0012K66	O-ring ■	9	

◆ ● ■ See page 3 for kit part numbers.

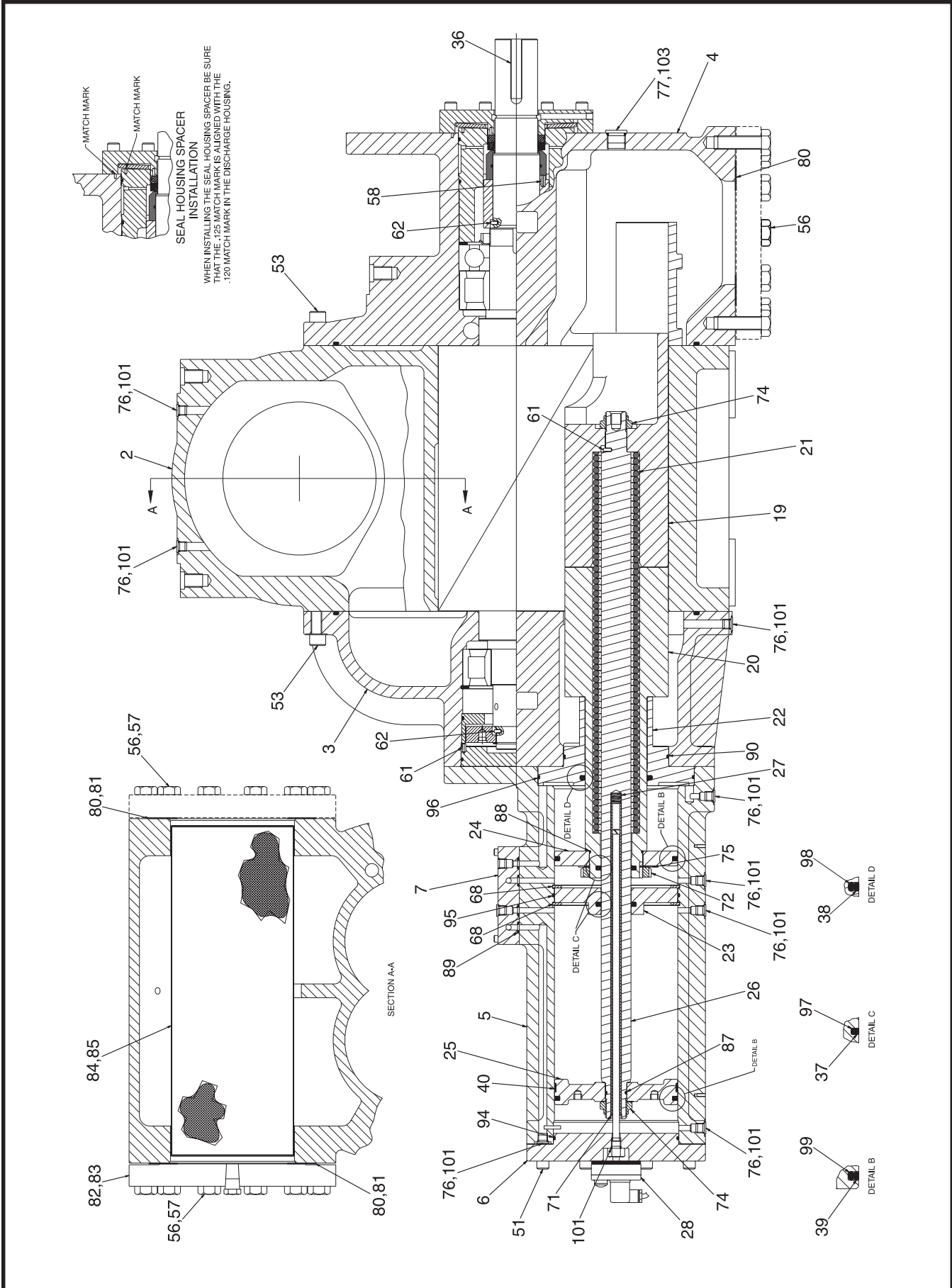


Figure 2a. SGC 233 Screw Compressor Cross Section, Side.

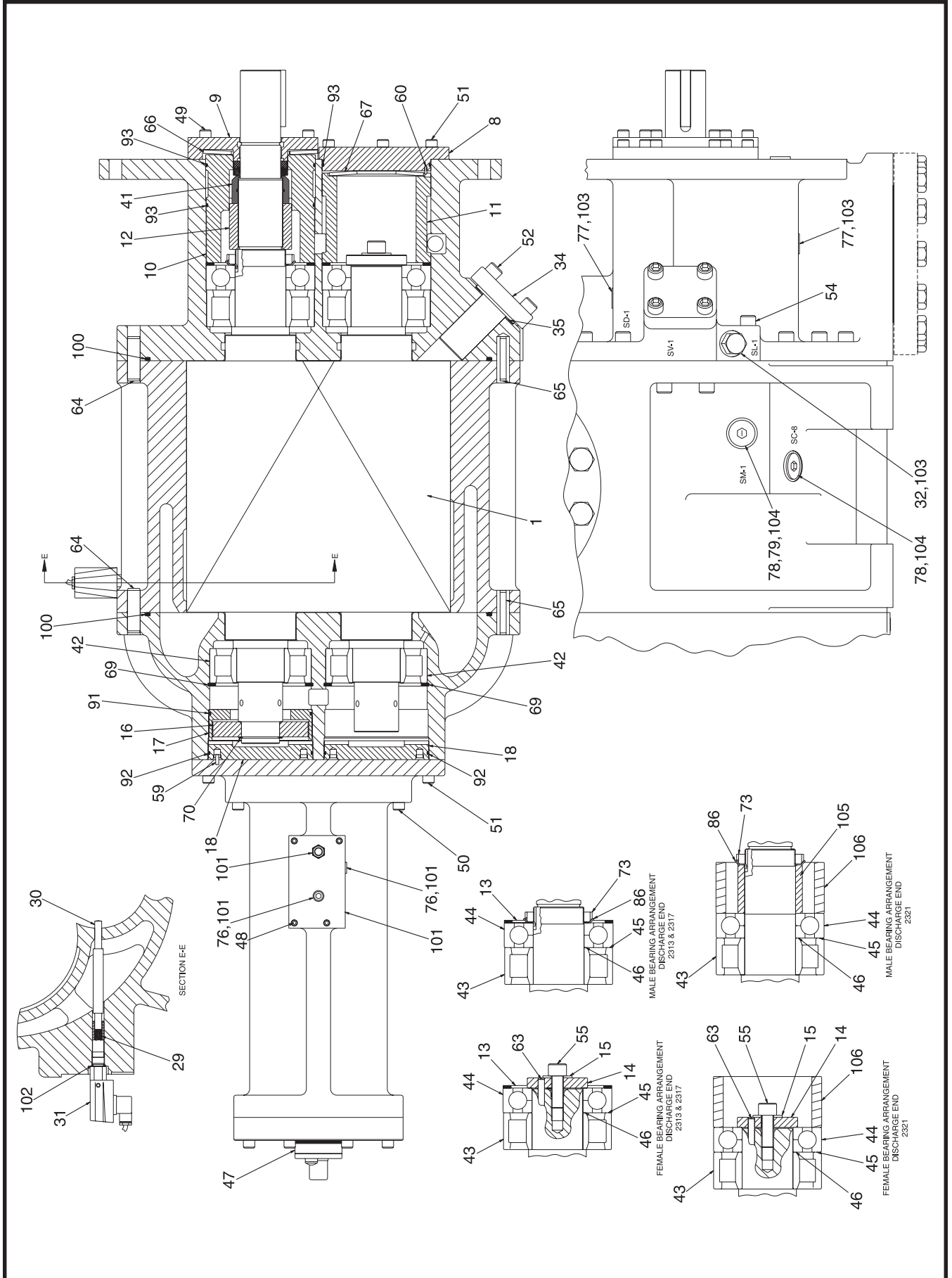


Figure 2b. SGC 233 Screw Compressor Cross Section, Top.

SGC ROTARY SCREW COMPRESSOR
SERVICE PARTS LIST



FIG. & INDEX	ITEM NUMBER	DESCRIPTION	QTY.	REV.
2—	534E0697G01	Assembly, Compressor, SGC 2313, New	Ref.	P
	534E0697S01	Assembly, Compressor, SGC 2313, Remanufactured		
	534E0697G02	Assembly, Compressor, SGC 2317, New	Ref.	P
	534E0697S02	Assembly, Compressor, SGC 2317, Remanufactured		
	534E0708G01	Assembly, Compressor, SGC 2321, New	Ref.	M
	534E0708S01	Assembly, Compressor, SGC 2321, Remanufactured		
—1	534A0761G02	Rotor Pair, 2313	1	
	534A0760G02	Rotor Pair, 2317	1	
	534A0762G02	Rotor Pair, 2321	1	
—2	534E0711G01	Assembly, Rotor Housing, 2313	1	
	534E0711G02	Assembly, Rotor Housing, 2317	1	
	534E0711G03	Assembly, Rotor Housing, 2321	1	
—3	534E0679C01	Housing, Inlet	1	
—4	534E0678C01	Housing, Discharge, 2313/2317	1	
	534E0705C01	Housing, Discharge, 2321	1	
—5	534E0681C01	Cylinder, 2313/2317	1	
	534E0704C01	Cylinder, 2321	1	
—6	534D1255H01	Cover, Cylinder	1	
—7	534C1368H01	Adapter Block, Cylinder	1	
—8	534C0113C01	Cover, Outlet	1	
—9	534D0129C01	Housing, Seal	1	
—10	534D0127C01	Spacer, Seal Housing	1	
—11	534D0495C01	Sleeve, Distance, Female	1	
—12	534B0075H01	Ring, Seal Distance	1	
—13	534C0251H01	Plate, Bearing Backup, 2313/2317	2	
—14	534C0171H01	Plate, Bearing	1	
—15	534B0103H01	Washer	1	
—16	534C0249H01	Piston, Male Balance	1	
—17	534C0250C01	Sleeve, Male Balance Piston	1	
—18	534D0193C01	Cover, Male Inlet Bore	2	
—19	534D0082C01	Valve, Slide, 2313	1	
	534D0083C01	Valve, Slide, 2317	1	
	534E0456C01	Valve, Slide, 2321	1	
—20	534D0085C01	Stop, Slide, 2313	1	
	534D0084C01	Stop, Slide, 2317	1	
	534E0460C01	Stop, Slide, 2321	1	
—21	534C1360H03	Spring, Unloader, 2313	1	
	534C1360H04	Spring, Unloader, 2317	1	
	534C1360H05	Spring, Unloader, 2321	1	
—22	534D1196C01	Cover, Slide Stop, 2313/2317	1	
	534D1196C02	Cover, Slide Stop, 2321	1	
—23	534C0119C01	Cover, Internal Cylinder	1	
—24	534C0118C01	Piston, Slide Stop	1	
—25	534C0117C01	Piston, Spindle	1	
—26	534D1254H01	Assembly, Spindle, 2313	1	
	534D1254H02	Assembly, Spindle, 2317	1	
	534D1254H03	Assembly, Spindle, 2321	1	
—27	534B0765H01	Spring, Compression	1	
—28	534D1251H01	Assembly, Linear Transmitter, Long Stroke	1	
	534D1251H02	Well, Aluminum Tube	1	
	534D1251H03	Linear Transmitter, less well	1	
—29	534A0032H02	Spring	1	
—30	534C1314H01	Rod, Indicator	1	
—31	534C1478H01	Assembly, Linear Transmitter, Short Stroke	1	
	534C1478H02	Transmitter, Linear, less well	1	
—32	534C1362H01	Plug, Liquid Injection, Low Vi (SL-1)	1	
—33	534C1361H01	Plug, Liquid Injection, High Vi (SL-2)	1	
—34	534C1359C01	Plug, Economizer (SV-1)	1	

FIG. & INDEX	ITEM NUMBER	DESCRIPTION	QTY.	REV.
—35	959A0057H07	Gasket, Flange	1	
—36	534A0662H03	Key, Square	1	
—37	534B0006H04	Rod, Seal	2	
—38	534B0006H05	Rod, Seal	1	
—39	534C0187H03	Glyd Ring™	2	
—40	534B0079H01	Slydring™	1	
—41	534C0701H03	Assembly, Shaft Seal ●	1	
—42	534B0004H04	Bearing, Roller ◆	2	
—43	534B0004H11	Bearing, Roller ◆	2	
—44	534B0101H22	Bearing, Ball, Four Point Contact ◆	2	
—45	534B0701H04	Shim, Bearing ◆	2	
—46	534B0701H02	Shim, Bearing ◆	2	
—47	901A0202H10	Capscrew, Socket Head, (M6x1.0) x 30mm	2	
—48	901A0202H13	Capscrew, Socket Head, (M6x1.0) x 45mm	4	
—49	901A0224H09	Capscrew, Socket Head, (M12 x 1.75) x 55mm	6	
—50	111Q0740738	Capscrew, Socket Head, (M12 x 1.75) x 90mm	8	
—51	901A0224H07	Capscrew, Socket Head, (M12 x 1.75) x 45mm	24	
—52	901A0223H06	Capscrew, Socket Head, (M16 x 2.0) x 50mm	4	
—53	901A0223H08	Capscrew, Socket Head, (M16 x 2.0) x 60mm	51	
—54	901A0223H12	Capscrew, Socket Head, (M16 x 2.0) x 80mm	5	
—55	534A0076H02	Capscrew, Socket Head, 3/4-10 UNC x 2-1/2"	1	
—56	901A0206H09	Capscrew, Hex Head, (M20 x 2.5) x 65mm, 2313 & 2317/2321	36/12	
—57	901A0192H06	Capscrew, Hex Head, (M22 x 2.5) x 75, 2317 & 2321	24	
—58	534A0038H08	Pin, Spring, .250 x .625" ●	1	
—59	534A0038H02	Pin, Spring, .187 x .625"	1	
—60	534A0038H05	Pin, Spring, .125 x .500"	1	
—61	534A0037H02	Pin, Dowel, Ø5m6 x 12mm	1	
—62	534A0037H12	Pin, Dowel, Ø5h8 x 10mm ●	2	
—63	534A0037H15	Pin, Dowel, Ø10h8 x 45mm	1	
—64	534B0149H01	Pin, Dowel, 20 x 70mm	2	
—65	534B0151H01	Pin, Dowel, 20 x 70mm, Special	2	
—66	534B0102H06	Washer, Spring, 180 x 92 x 6mm	1	
—67	534B0102H07	Washer, Spring, 150 x 61 x 5mm	1	
—68	534B0014H14	Ring, Retaining	2	
—69	534B0014H05	Ring, Retaining	2	
—70	534B0014H12	Ring, Retaining	1	
—71	534B0766H01	Ring, Retaining	1	
—72	534A0226H02	Locknut	2	
—73	534A0035H07	Locknut	1	
—74	534A0750H01	Locknut	1	
—75	543B0125H07	Lockwasher	1	
—76	944A0228H05	Plug, Straight Thread O-ring, 9/16–18	12	
—77	944A0228H08	Plug, Straight Thread O-ring, 1-1/16–12	5	
—78	944A0228H10	Plug, Straight Thread O-ring, 1-5/16–12 (SC-8, SM-1)	2	
—79	534C0194H21	Plug, Orifice, .328" (2313, SM-1)	1	
	534C0194H22	Plug, Orifice, .386" (2317, SM-1)	1	
	534C0194H32	Plug, Orifice, .469" (2321, SM-1)	1	
—80	959A0054H32	Gasket, 2313 & 2317/2321	3/1	
—81	959A0054H33	Gasket, 2317/2321	2/3	
—82	535A0505H02	Flange, Modified, 2313	1	
—83	535A0505H03	Flange, Modified, 2317 & 2321	1	
—84	534C1264H02	Strainer, Suction, 2313	1	
—85	534C1264H03	Strainer, Suction, 2317/2321	1	
—86	543B0125H16	Lockwasher	2	
—87	980A0014A70	O-Ring ■	1	
—88	980A0014B01	O-Ring ■	1	
—89	980A0014B32	O-Ring ■	4	
—90	980A0014B84	O-Ring ■	1	

SGC ROTARY SCREW COMPRESSOR
SERVICE PARTS LIST



FIG. & INDEX	ITEM NUMBER	DESCRIPTION	QTY.	REV.
—91	980A0014B86	O-Ring ■	1	
—92	980A0014B87	O-Ring ■	2	
—93	980A0014B88	O-Ring ■ ●	3	
—94	980A0014B90	O-Ring ■	1	
—95	980A0014B91	O-Ring ■	1	
—96	980A0014B97	O-Ring ■	1	
—97	980A0012H36	O-Ring ■	2	
—98	980A0012H51	O-Ring ■	1	
—99	980A0012H70	O-Ring ■	2	
—100	980A0014K47	O-Ring ■	2	
—101	980A0014K58	O-Ring ■	14	
—102	980A0014K60	O-Ring ■	1	
—103	980A0014K64	O-Ring ■	7	
—104	980A0014K67	O-Ring ■	2	
—105	534C1380H01	Spacer, Bearing, Male, 2321	1	
—106	534C1381H01	Spacer, Bearing, Male & Female, 2321	2	

This page left blank intentionally.

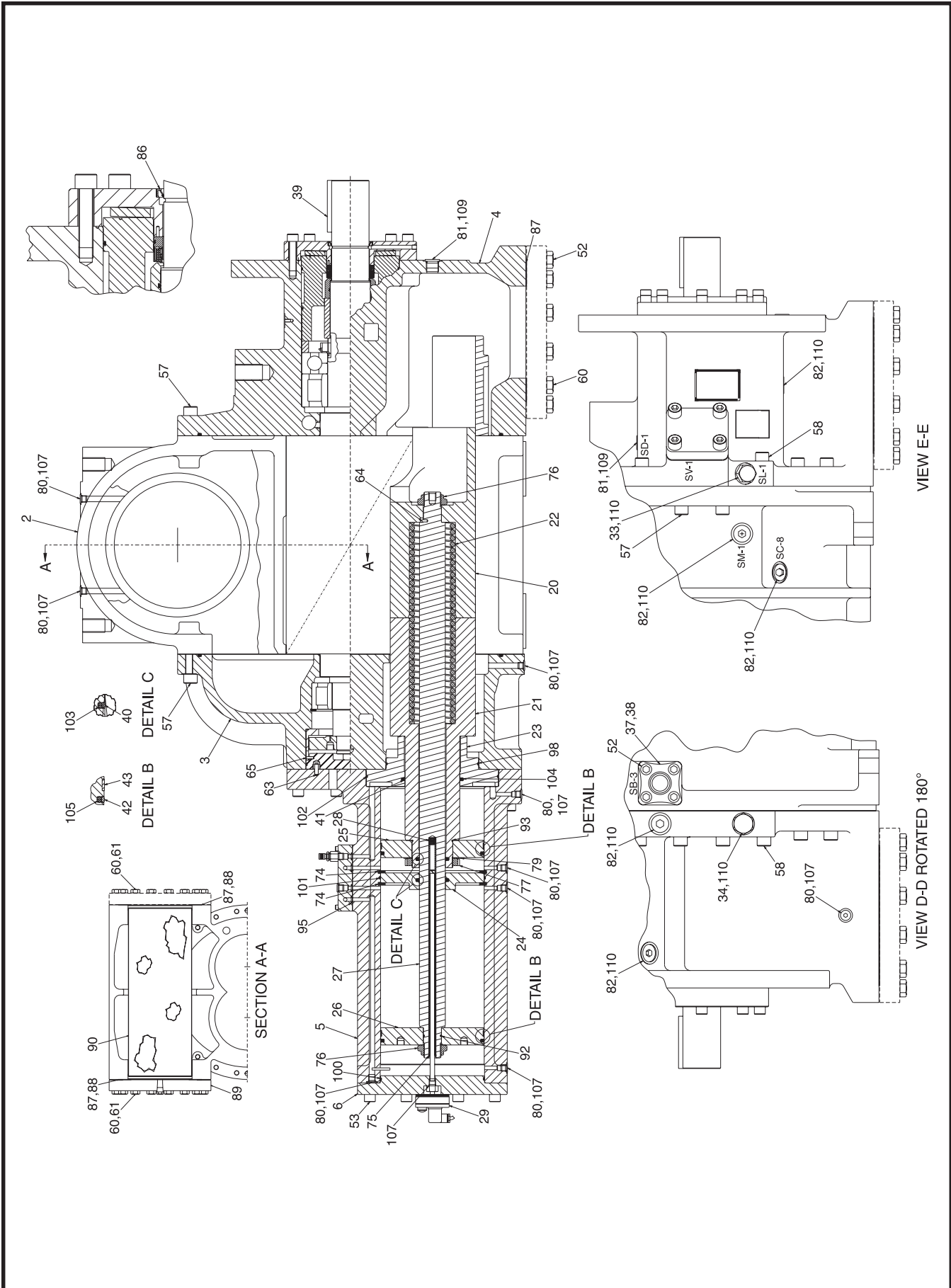


Figure 3a. SGC 283 Screw Compressor Cross Section, Side.

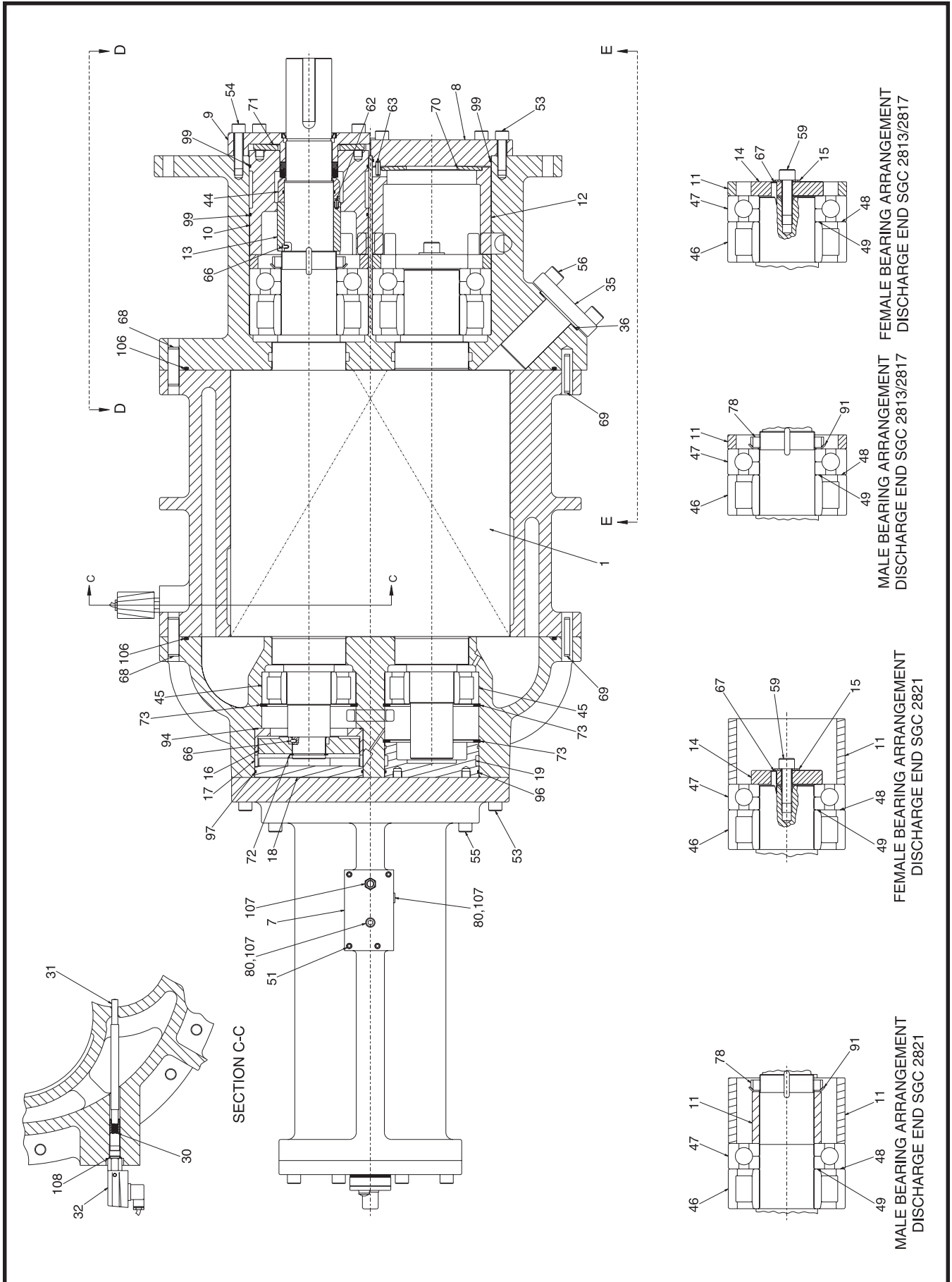


Figure 3b. SGC 283 Screw Compressor Cross Section, Top.

SGC ROTARY SCREW COMPRESSOR
SERVICE PARTS LIST



FIG. & INDEX	ITEM NUMBER	DESCRIPTION	QTY.	REV.
3—	534E0753G01	Assembly, Compressor SGC2813, New	Ref.	G
	534E0753G02	Assembly, Compressor SGC2817, New	Ref.	G
	534D1270G01	Assembly, Compressor SGC2821, New	Ref.	D
	534D1450G01	Assembly, Compressor SGC2824, New	Ref.	B
—1	534A0768G02	Rotor Pair, 2813	1	
	534A0769G02	Rotor Pair, 2817	1	
	534A0770G02	Rotor Pair, 2821	1	
	534A0898G02	Rotor Pair, 2824	1	
—2	534E0751G01	Assembly, Rotor Housing, 2813	1	
	534E0751G02	Assembly, Rotor Housing, 2817	1	
	534E0751G03	Assembly, Rotor Housing, 2821	1	
	534E0751G04	Assembly, Rotor Housing, 2824	1	
—3	534E0738C01	Housing, Inlet	1	
—4	534E0727C01	Housing, Discharge, 2813/2817	1	
	534E0772C01	Housing, Discharge, 2821	1	
	534E0969C01	Housing, Discharge, 2824	1	
—5	534E0739C01	Cylinder, 2813/2817	1	
	534E0740C01	Cylinder, 2821	1	
	534E0970C01	Cylinder, 2824	1	
—6	534C1434C01	Cover, Cylinder	1	
—7	534C1368H01	Adapter Block, Cylinder	1	
—8	534D0161C01	Cover, Outlet	1	
—9	534D0151C01	Housing, Seal	1	
—10	534D0150C01	Spacer, Seal Housing	1	
—11	534C0645H01	Spacer, Bearing, 2813/2817	2	
	534C1464H01	Spacer, Bearing, 2821/2824 (male only)	1	
	534D1269H01	Spacer, Bearing, 2821/2824 (male & female)	2	
—12	534D0170C01	Sleeve, Female Distance	1	
—13	534C1411H01	Ring, Seal Distance	1	
—14	534C1414H01	Plate, Bearing	1	
—15	534B0103H01	Washer	1	
—16	534D0514H01	Piston, Male Balance	1	
—17	534D0509C01	Sleeve, Male Balance Piston	1	
—18	534D0507C01	Cover, Male Inlet Bore	1	
—19	534D0168C01	Cover, Female Inlet Bore	1	
—20	534D0140C01	Valve, Slide, 2813	1	
	534D0141C01	Valve, Slide, 2817	1	
	534D1266C01	Valve, Slide, 2821	1	
	534D1286C01	Valve, Slide, 2824	1	
	534D1215C01	Stop, Slide, 2813	1	
—21	534D1216C01	Stop, Slide, 2817	1	
	534D1217C01	Stop, Slide, 2821	1	
	534D1285C01	Stop, Slide, 2824	1	
	534C1360H06	Spring, Unloader, 2813	1	
—22	534C1360H07	Spring, Unloader, 2817	1	
	534C1360H08	Spring, Unloader, 2821/2824 (external)	1	
	534C1360H09	Spring, Unloader, 2821/2824 (internal)	1	
	534D1219C01	Cover, Slide Stop	1	
—24	534D1218H01	Cover, Internal Cylinder	1	
—25	534D0154C01	Piston, Slide Stop	1	
—26	534D0153C01	Piston, Spindle	1	
—27	534D1237H01	Spindle, 2813	1	
	534D1237H02	Spindle, 2817	1	
	534D1237H03	Spindle, 2821	1	
	534D1237H05	Spindle, 2824	1	
	534B0765H01	Spring, Compression	1	

FIG. & INDEX	ITEM NUMBER	DESCRIPTION	QTY.	REV.
—29	534D1251H01	Assembly, Transmitter, Linear, Long Stroke	1	
	534D1251H02	Tube, Aluminum	1	
	534D1251H03	Transmitter, Linear	1	
—30	534A0032H02	Spring	1	
—31	534C1314H02	Rod, Indicator	1	
—32	534C1478H01	Assembly, Linear Transmitter, Short Stroke	1	
	534C1478H02	Transmitter, Linear, less well	1	
—33	534C1415H01	Plug, Liquid Injection, Low Vi (SL-1)	1	
—34	534C1416H01	Plug, Liquid Injection, High Vi (SL-2)	1	
—35	534C1412C01	Plug, Economizer (SV-1)	1	
—36	959A0057H06	Gasket, Flange	1	
—37	944A0358H01	Flange, Socket Weld Male, 1-1/4"	1	
—38	959A0057H04	Gasket, Flange	1	
—39	534A0662H04	Key, Square	1	
—40	534B0006H06	Seal, Rod	2	
—41	534B0006H08	Seal, Rod	1	
—42	534C0187H04	Glyd Ring®	2	
—43	534B0079H02	Slydring®	2	
—44	534C0701H04	Assembly, Shaft Seal, Rotating Seat ●	1	
—45	534B0004H11	Bearing, Roller ◆	2	
—46	534B0004H12	Bearing, Roller ◆	2	
—47	534B0101H26	Bearing, Ball, Four-Point Contact ◆	2	
—48	534B0701H05	Bearing, Shim ◆	2	
—49	534B0701H06	Bearing, Shim ◆	2	
—50	901A0202H10	Capscrew, Socket Head, (M6 x 1.0) x 30mm	2	
—51	901A0202H13	Capscrew, Socket Head, (M6 x 1.0) x 45mm	4	
—52	901A0223H06	Capscrew, Socket Head, (M16 x 2.0) x 50mm	4	
—53	901A0223H07	Capscrew, Socket Head, (M16 x 2.0) x 55mm	15	
—54	901A0223H09	Capscrew, Socket Head, (M16 x 2.0) x 65mm	15	
—55	901A0223H16	Capscrew, Socket Head, (M16 x 2.0) x 120mm	8	
—56	901A0222H07	Capscrew, Socket Head, (M20 x 2.5) x 65mm	4	
—57	901A0224H09	Capscrew, Socket Head, (M20 x 2.5) x 75mm	43	
—58	901A0222H11	Capscrew, Socket Head, (M20 x 2.5) x 90mm	5	
—59	534A0076H02	Capscrew, Socket Head, 3/4-10UNC x 2-1/2"	1	
—60	901A0192H06	Capscrew, Hex Head, M22 x 2.5 x 75mm	36/12	
—61	901A0207H10	Capscrew, Hex Head, M24 x 3.0 x 90mm, 2817 & 2821 & 2824	32	
—62	534A0038H08	Pin, Spring, .250 x .625" ●	1	
—63	534A0038H10	Pin, Spring, .312 x 1.00"	2	
—64	534A0037H02	Pin, Dowel, Ø5m6 x 12mm	1	
—65	534A0037H03	Pin, Dowel, Ø5m6 x 16mm	1	
—66	534A0037H12	Pin, Dowel, Ø5h8 x 10mm ●	2	
—67	534A0037H15	Pin, Dowel, Ø10h8 x 45mm	1	
—68	534B0149H01	Pin, Dowel, 20 x 70mm	2	
—69	534B0151H01	Pin, Dowel, 20 x 70mm, Special	2	
—70	534B0102H06	Washer, Spring, 180 x 92 x 6mm	1	
—71	534B0102H08	Washer, Spring, 200 x 112 x 10mm	1	
—72	534B0014H12	Ring, Retaining	1	
—73	534B0014H13	Ring, Retaining	3	
—74	534B0015H15	Ring, Retaining	2	
—75	534B0766H01	Ring, Retaining	1	
—76	534A0772H01	Locknut	2	
—77	534A0035H08	Locknut	1	
—78	534A0035H14	Locknut	1	
—79	534B0125H08	Lockwasher	1	
—80	944A0228H05	Plug, Straight Thread O-ring, 9/16-18UNF	9	
—81	944A0228H08	Plug, Straight Thread O-ring, 1-1/16-12UNF	3	
—82	944A0228H10	Plug, Straight Thread O-ring, 1-5/16-12UNF	5/4	
	944A0228H11	Plug, Straight Thread O-ring, 1-5/8-12UNF, 2821 & 2824 (SM-1)	1	

SGC ROTARY SCREW COMPRESSOR
SERVICE PARTS LIST



FIG. & INDEX	ITEM NUMBER	DESCRIPTION	QTY.	REV.
—83	534C0194H31	Plug, Orifice, 3/4-14NPT w/.413" orifice, 2813	1	
—84	534C0194H32	Plug, Orifice, 3/4-14NPT w/.469" orifice, 2817	1	
—85	534C0194H38	Plug, Orifice, 3/4-14NPT w/.500" orifice, 2821 & 2824	1	
—86	333Q0001219	Seal, Oil	1	
—87	959A0054H33	Gasket, 2813 & 2817/2821 & 2824	3/1	
—88	959A0054H34	Gasket, 2817 & 2821 & 2824	2	
—89	944A0111H13	Flange, Blind, 8", Class 300 RF, 2813	1	
	944A0111H14	Flange, Blind, 10", Class 300 RF, 2817 & 2821	1	
	535A0505H04	Flange, Modified, 10", Class 300, 2824	1	
—90	534C1264H05	Strainer, Suction, 2813	1	
	534C1264H04	Strainer, Suction, 2817/2821/2824	1	
—91	534B0125H15	Lockwasher	1	
—92	980A0014A75	O-ring ■	1	
—93	980A0014B02	O-ring ■	1	
—94	980A0014B18	O-ring ■	1	
—95	980A0014B32	O-ring ■	4	
—96	980A0014B87	O-ring ■	1	
—97	980A0014B91	O-ring ■	1	
—98	980A0014B93	O-ring ■	1	
—99	980A0014B94	O-ring ■ ●	3	
—100	980A0014B97	O-ring ■	1	
—101	980A0014B98	O-ring ■	1	
—102	980A0014H05	O-ring ■	1	
—103	980A0042H40	O-ring ■	2	
—104	980A0042H60	O-ring ■	1	
—105	980A0042H77	O-ring ■	2	
—106	980A0014K52	O-ring ■	2	
—107	980A0014K58	O-ring ■	13	
—108	980A0014K60	O-ring ■	1	
—109	980A0014K64	O-ring ■	3	
—110	980A0014K67	O-ring, 2813 & 2817/2821 & 2824 ■	7/6	
	980A0014K69	O-ring, 2821 & 2824 (SM-1) ■	1	

This page left blank intentionally.

SGC ROTARY SCREW COMPRESSOR
SERVICE PARTS LIST

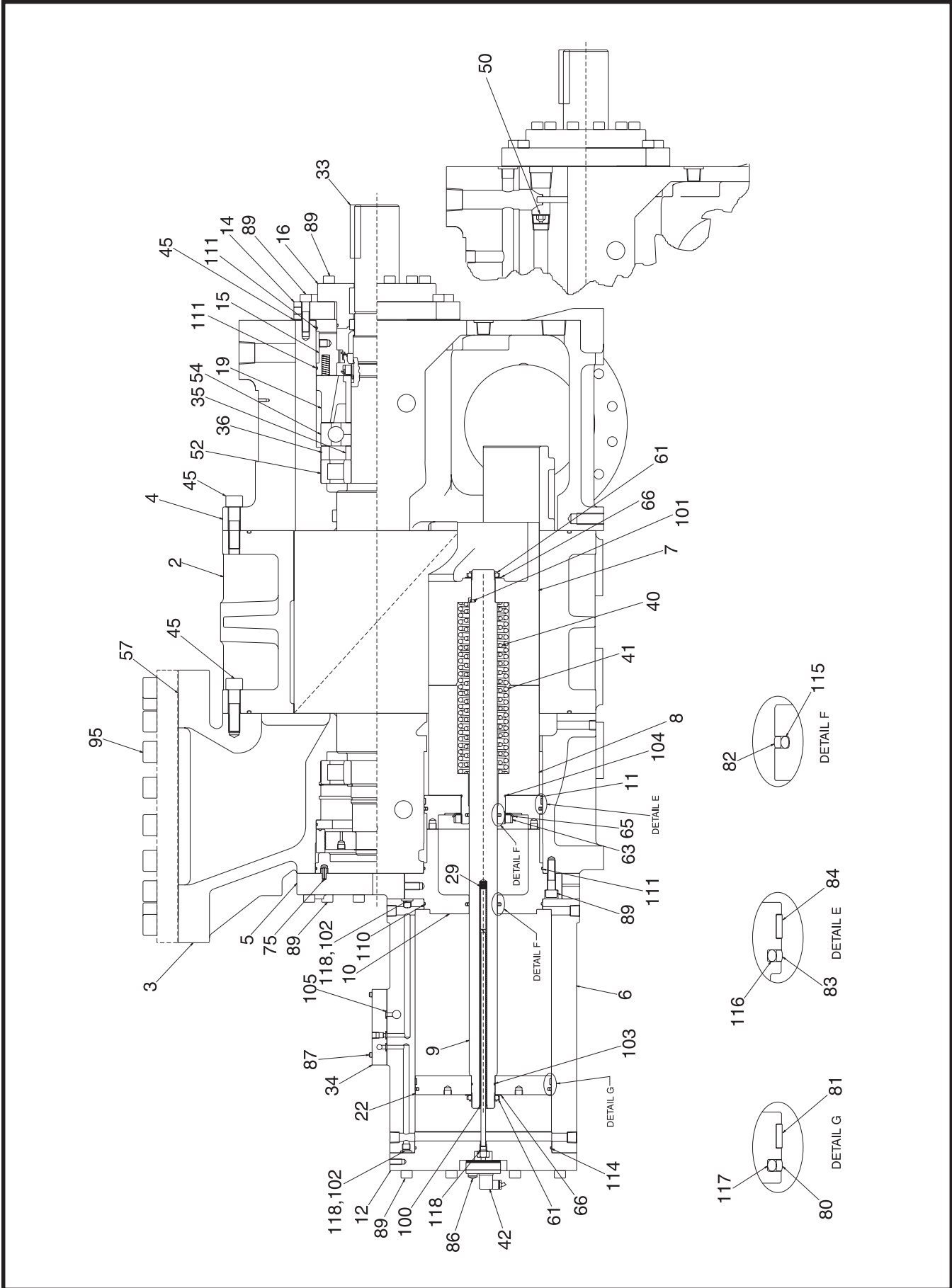


Figure 4a. SGC B 3511-3519 Screw Compressor Cross Section, Side.

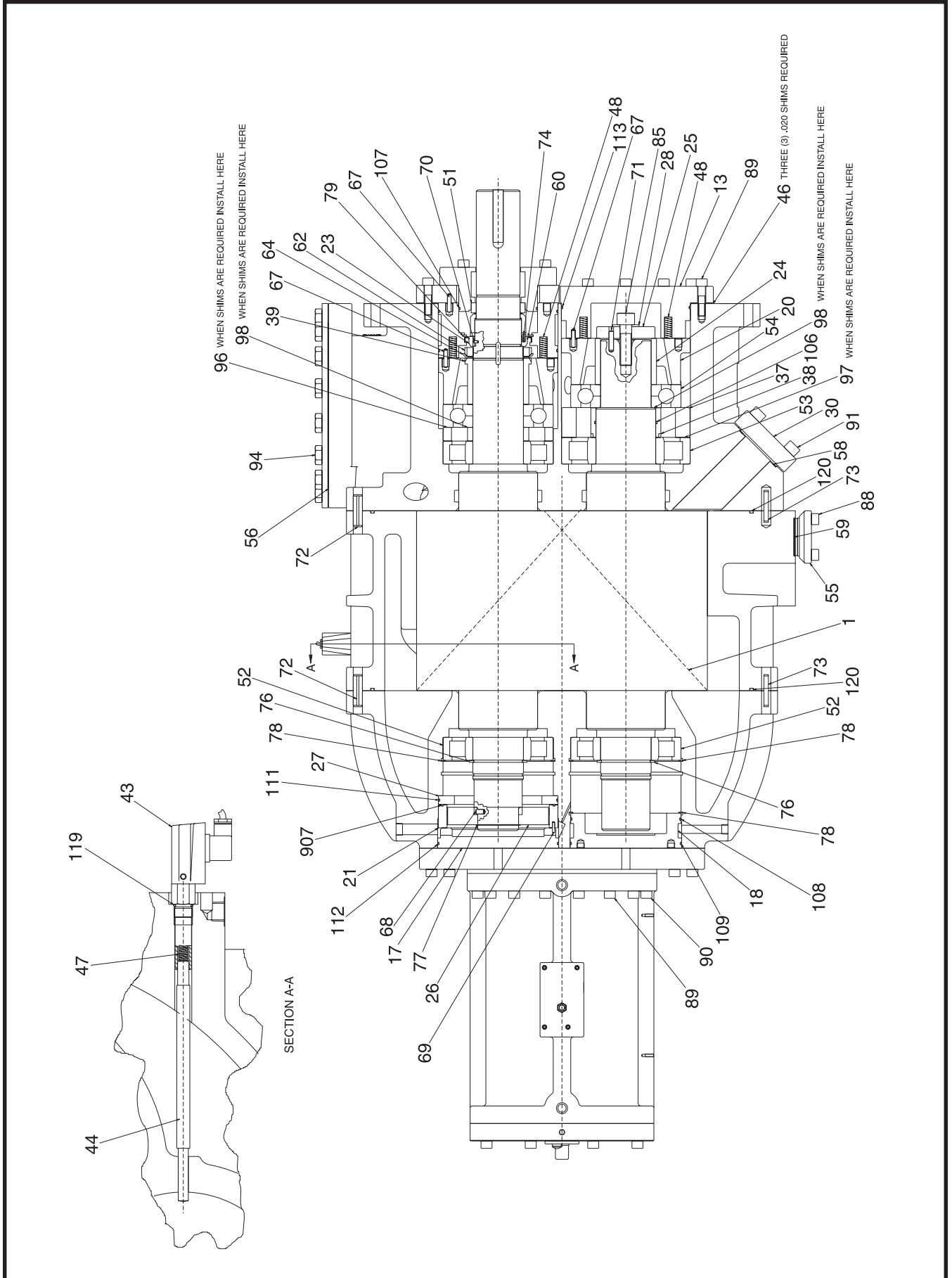


Figure 4b. SGCB 3511-3519 Screw Compressor Cross Section, Top.

SGC ROTARY SCREW COMPRESSOR
SERVICE PARTS LIST



FIG. & INDEX	ITEM NUMBER	DESCRIPTION	QTY.	REV.
4—	534D1436G01	Assembly, Compressor SGCB3511, New	Ref.	A
	534D1439G01	Assembly, Compressor SGCB3515, New	Ref.	A
	534D1442G01	Assembly, Compressor SGCB3519, New	Ref.	A
—1	534A0836G02	Rotor Pair, 3511	1	
	534A0387G02	Rotor Pair, 3515	1	
	534A0388G02	Rotor Pair, 3519	1	
—2	534D0407G02	Assembly, Rotor Housing, 3511	1	
	534D0407G03	Assembly, Rotor Housing, 3515	1	
	534D0407G04	Assembly, Rotor Housing, 3519	1	
—3	534E0181C01	Housing, Inlet	1	
—4	534E0939C01	Housing, Discharge	1	
—5	534D0370C01	Cover, Inlet	1	
—6	534E0945C01	Cylinder	1	
—7	534D0429C01	Valve, Slide, 3511	1	
	534D0365C01	Valve, Slide, 3515	1	
	534D0859C01	Valve, Slide, 3519	1	
—8	534D0430C01	Stop, Slide, 3511	1	
	534D0366C01	Stop, Slide, 3515	1	
	534D0861C01	Stop, Slide, 3519	1	
—9	534D1419H01	Spindle, 3511	1	
	534D1419H02	Spindle, 3515	1	
	534D1419H02	Spindle, 3519	1	
—10	534D0373C01	Cover, Slide Stop, 3511, 3515	1	
	534D0862C01	Cover, Slide Stop, 3519, 3524	1	
—11	534D0431C01	Piston, Slide Stop, 3511	1	
	534D0367C01	Piston, Slide Stop, 3515, 3519	1	
—12	534D1420H01	Cover, Cylinder	1	
—13	534D1402C01	Cover, Outlet	1	
—14	534D1400C01	Cover, Seal Housing	1	
—15	534D1401C01	Spacer, Seal Housing	1	
—16	534D0766C01	Cover, Housing	1	
—17	534D0374C01	Cover, Male Inlet Bore	1	
—18	534D0375C01	Cover, Female Inlet Bore	1	
—19	534D1135C01	Spacer, Bearing Preload (Male)	1	
—20	534D1135C02	Spacer, Bearing Preload (Female)	1	
—21	534D0391C01	Sleeve, Male Balance Piston	1	
—22	534D1231C01	Piston, Spindle	1	
—23	534C0487H01	Ring, Seal Distance	1	
—24	534B0651H01	Spacer, Bearing	1	
—25	534C0492H01	Plate, Bearing	1	
—26	534D0639H01	Piston, Male Balance	1	
—27	534D0392H01	Ring, Male	1	
—28	534B0239H01	Washer	1	
—29	534B0765H01	Spring	1	
—30	534D1429C01	Plug, Vapor Injection	1	
—31	534B1015H01	Plug, Liquid Injection, Low Vi (SL-1)	1	
—32	534B1014H01	Plug, Liquid Injection, High Vi (SL-2)	1	
—33	534A0662H04	Key, Square	1	
—34	534C1711H01	Adapter, Cylinder Block	1	
—35	534B0652H01	Spacer, Bearing	1	
—36	534B0653H01	Spacer, Bearing	1	
—37	534D1137H01	Spacer, Bearing	1	
—38	534C1587H02	Spacer, Bearing	1	
—39	534C1568H01	Spacer, Bearing	1	
—40	534B0249H01	Spring, Unloader, 3511	1	
	534B0240H01	Spring, Unloader, 3515, 3519	1	
—41	534B0250H01	Spring, Unloader, 3511	1	
	534B0242H01	Spring, Unloader, 3515, 3519	1	

FIG. & INDEX	ITEM NUMBER	DESCRIPTION	QTY.	REV.
—42	534D1251H01	Assembly, Transmitter, Linear, Long Stroke	1	
	534D1251H02	Tube, Aluminum	1	
	534D1251H03	Transmitter, Linear	1	
—43	534C1478H01	Assembly, Linear Transmitter, Short Stroke	1	
	534C1478H02	Transmitter, Linear, less well	1	
—44	534C1314H03	Rod, Indicator	1	
—45	534D0408G01	Shim Pack (Male)	1	
—46	534D0409H03	Shim (Female)	3	
—47	534A0032H02	Spring	1	
—48	534A0251H01	Spring	24	
—49	534C0194H53	Plug, Orifice, 1 1/4-11 1/2 NPT w/.500" orifice, 3511	1	
	534C0194H52	Plug, Orifice, 1 1/4-11 1/2 NPT w/.609" orifice, 3515	1	
	534C0194H51	Plug, Orifice, 1 1/4-11 1/2 NPT w/.709" orifice, 3519	1	
—50	534C0194H42	Plug, Orifice, 1-11 1/2 NPT w/.210" orifice	1	
—51	534C0701H06	Assembly, Shaft Seal ●	1	
—52	534B0004H34	Bearing, Cylindrical Roller ◆	3	
—53	534B0004H33	Bearing, Cylindrical Roller ◆	1	
—54	534B0101H28	Bearing, Ball, Four Point Contact ◆	2	
—55	944A0356H03	Flange	1	
—56	959A0054H34	Gasket	1	
—57	959A0054H36	Gasket	1	
—58	959A0057H18	Gasket, Flange	1	
—59	959A0057H07	Gasket, Flange	1	
—60	534B0426H01	Seal, Lip ●	1	
—61	534B0910H04	Locknut	2	
—62	534A0035H13	Locknut	1	
—63	534A0035H09	Locknut	1	
—64	534B0125H13	Lockwasher	1	
—65	534B0125H09	Lockwasher	1	
—66	534B0125H14	Lockwasher	2	
—67	534A0037H21	Pin, Dowel, Ø8m6 x 40mm	3	
—68	534A0037H19	Pin, Dowel, Ø10h6 x 20mm	1	
—69	534A0037H10	Pin, Dowel, Ø5m6 x 24mm	1	
—70	534A0037H12	Pin, Dowel, Ø5h8 x 10mm	1	
—71	534A0037H15	Pin, Dowel, Ø10h8 x 45mm	1	
—72	534B0149H01	Pin, Dowel, 20 x 70mm	2	
—73	534B0151H01	Pin, Dowel, 20 x 70mm, Special	2	
—74	534A0038H08	Pin, Spring, .25 x .625" ●	1	
—75	534A0038H10	Pin, Spring, .312 x 1" ●	1	
—76	534B0014H22	Ring, Retaining	2	
—77	534B0244H01	Ring, Retaining	1	
—78	534B0174H09	Ring, Retaining	3	
—79	333Q0000376	Ring, Retaining ●	1	
—80	534C0187H21	Glyd Ring®	1	
—81	534C0510H04	Slydring®	1	
—82	534B0006H07	Seal, Rod	2	
—83	534C0187H11	Glyd Ring®	1	
—84	534C0510H01	Slydring®	1	
—85	534A0076H04	Capscrew, Socket Head, 1-8UNC x 3-1/2"	1	
—86	901A0202H10	Capscrew, Socket Head, (m6x1.0) x 30mm	2	
—87	901A0202H13	Capscrew, Socket Head, (m6x1.0) x 45mm	4	
—88	901A0223H08	Capscrew, Socket Head, (m16x2.0) x 60mm	4	
—89	901A0223H09	Capscrew, Socket Head, (m16x2.0) x 65mm	69	
—90	901A0223H16	Capscrew, Socket Head, (m16x2.0) x 120mm	10	
—91	901A0222H09	Capscrew, Socket Head, (m20x2.5) x 75mm	4	
—92	901A0232H12	Capscrew, Socket Head, (m24x3.0) x 90mm	45	
—93	901A0232H15	Capscrew, Socket Head, (m24x3.0) x 120mm	3	
—94	901A0207H03	Capscrew, Hex Head, (m24x3.0) x 50mm	16	

SGC ROTARY SCREW COMPRESSOR
SERVICE PARTS LIST



FIG. & INDEX	ITEM NUMBER	DESCRIPTION	QTY.	REV.
—95	901A0231H01	Capscrew, Hex Head, (m30x3.5) x 50mm	20	
—96	534C0517H01	Shim, Bearing, Male Outer Race	A/R	
—97	534C0517H02	Shim, Bearing, Male Outer Race	A/R	
—98	534C0517H03	Shim, Bearing, Male & Female Inner Race	A/R	
—99	944A0010H02	Bushing	1	
—100	534B0766H01	Ring, Retaining	1	
—101	534A0037H02	Pin, Dowel, Ø5m6 x 12mm	1	
—102	944A0228H05	Plug, Straight Thread O-ring, 9/16-18UNF-2A	2	
—103	980A0012A79	O-ring ■	1	
—104	980A0012B04	O-ring ■	1	
—105	980A0012B33	O-ring ■	3	
—106	980A0012B81	O-ring ■	1	
—107	980A0012B90	O-ring ■ ●	1	
—108	980A0012H01	O-ring ■	1	
—109	980A0012H02	O-ring ■	1	
—110	980A0012H03	O-ring ■	2	
—111	980A0012H04	O-ring ■ ●	4	
—112	980A0012H05	O-ring ■	1	
—113	980A0012H06	O-ring ■	1	
—114	980A0012H07	O-ring ■	1	
—115	980A0012H41	O-ring ■	2	
—116	980A0012H81	O-ring ■	1	
—117	980A0012H85	O-ring ■	1	
—118	980A0012K60	O-ring ■	3	
—119	980A0012K62	O-ring ■	1	
—120	980A0012K75	O-ring ■	2	

This page left blank intentionally.

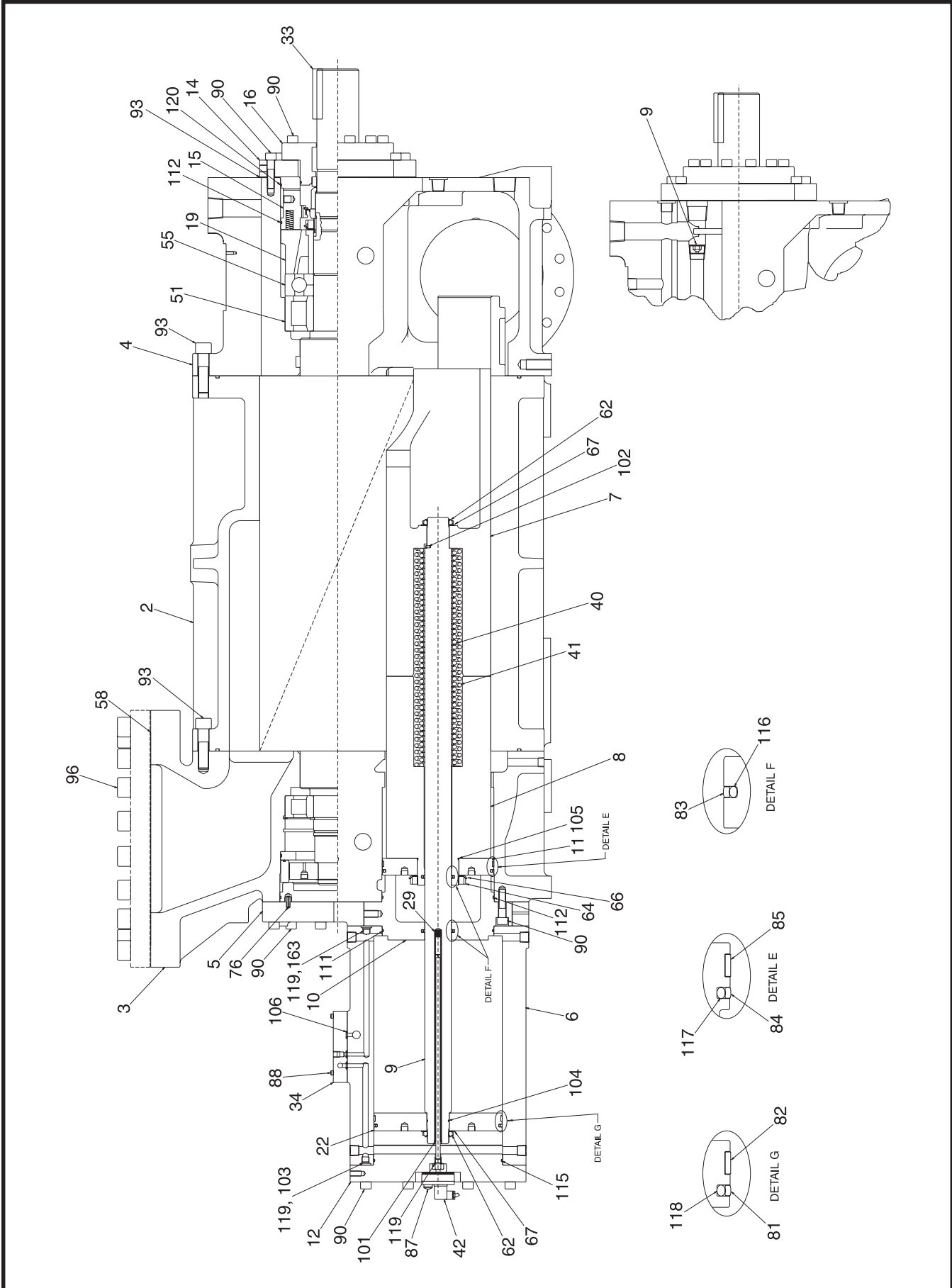


Figure 5a. SGC3524 Screw Compressor Cross Section, Side.

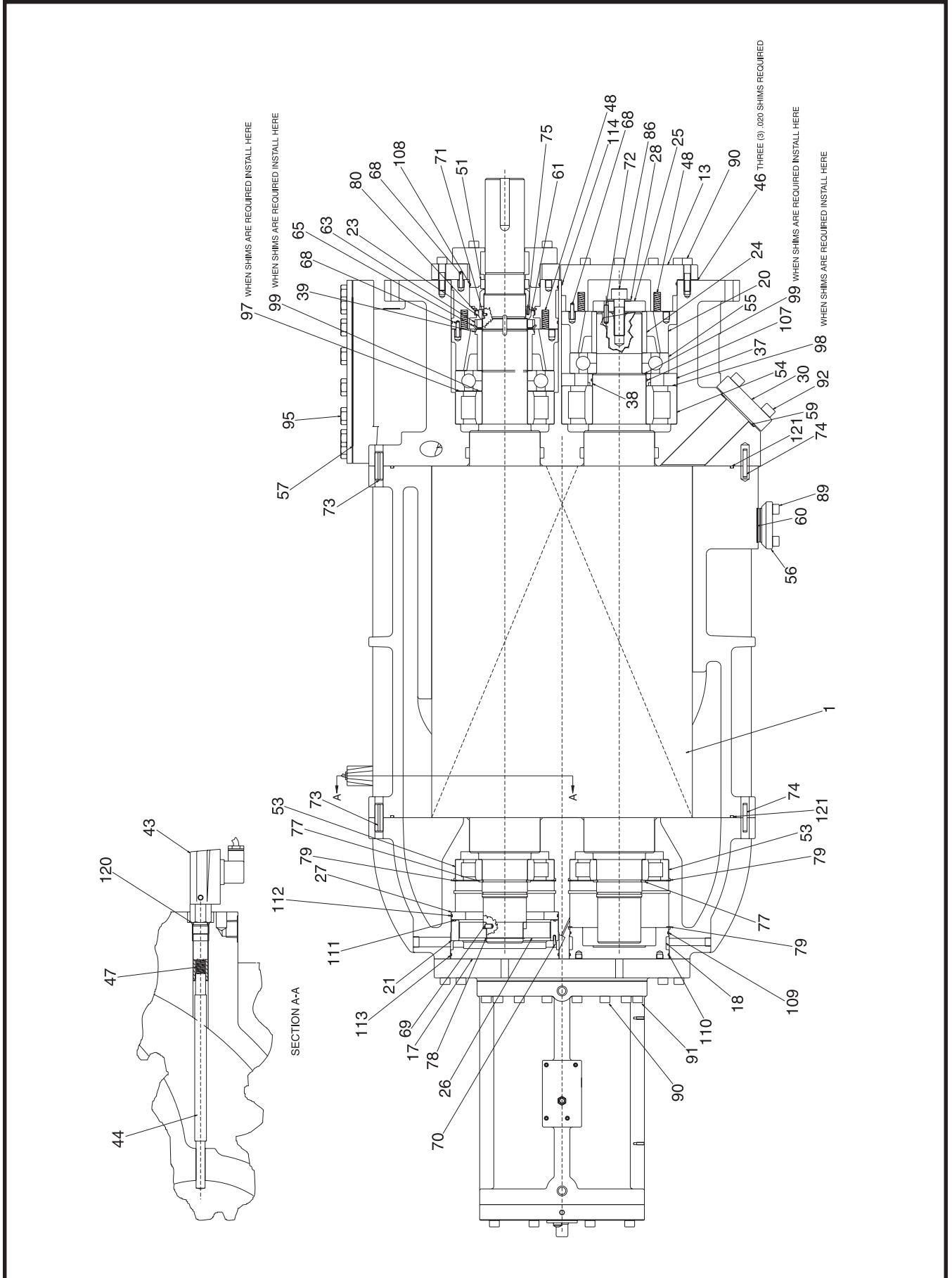


Figure 5b. SGC3524 Screw Compressor Cross Section, Top.

SGC ROTARY SCREW COMPRESSOR
SERVICE PARTS LIST



FIG. & INDEX	ITEM NUMBER	DESCRIPTION	QTY.	REV.
5—	534D1443G01	Assembly, Compressor SGCB3524, New	Ref.	A
—1	534A0839G02	Rotor Pair	1	
—2	534D0407G05	Assembly, Rotor Housing	1	
—3	534E0181C01	Housing, Inlet	1	
—4	534E0968C01	Housing, Discharge	1	
—5	534D0370C01	Cover, Inlet	1	
—6	534E0945C01	Cylinder	1	
—7	534D1166C01	Valve, Slide	1	
—8	534D1168C01	Stop, Slide	1	
—9	534D1419H04	Spindle	1	
—10	534D0862C01	Cover, Slide Stop	1	
—11	534D0367C01	Piston, Slide Stop	1	
—12	534D1420H01	Cover, Cylinder	1	
—13	534D1402C01	Cover, Outlet	1	
—14	534D1400C01	Cover, Seal Housing	1	
—15	534D1401C01	Spacer, Seal Housing	1	
—16	534D0766C01	Cover, Housing	1	
—17	534D0374C01	Cover, Male Inlet Bore	1	
—18	534D0375C01	Cover, Female Inlet Bore	1	
—19	534D1135C01	Spacer, Bearing Preload (Male)	1	
—20	534D1135C02	Spacer, Bearing Preload (Female)	1	
—21	534D0391C01	Sleeve, Male Balance Piston	1	
—22	534D1231C01	Piston, Spindle	1	
—23	534C0487H01	Ring, Seal Distance	1	
—24	534B0651H01	Spacer, Bearing	1	
—25	534C0492H01	Plate, Bearing	1	
—26	534D0639H01	Piston, Male Balance	1	
—27	534D0392H01	Ring, Male	1	
—28	534B0239H01	Washer	1	
—29	534B0765H01	Spring	1	
—30	534D1429C01	Plug, Vapor Injection	1	
—31	534B1015H01	Plug, Liquid Injection, Low Vi (SL-1)	1	
—32	534B1014H01	Plug, Liquid Injection, High Vi (SL-2)	1	
—33	534A0662H04	Key, Square	1	
—34	534C1711H01	Adapter, Cylinder Block	1	
—35	not used			
—36	not used			
—37	534D0412C01	Spacer, Bearing	1	
—38	534C1587H01	Spacer, Bearing	1	
—39	534C1568H01	Spacer, Bearing	1	
—40	534B0240H01	Spring, Unloader	1	
—41	534B0242H01	Spring, Unloader	1	
—42	534D1251H01	Assembly, Transmitter, Linear, Long Stroke	1	
	534D1251H02	Tube, Aluminum	1	
	534D1251H03	Transmitter, Linear	1	
—43	534C1478H01	Assembly, Linear Transmitter, Short Stroke	1	
	534C1478H02	Transmitter, Linear, less well	1	
—44	534C1314H03	Rod, Indicator	1	
—45	534D0408G01	Shim Pack (Male)	1	
—46	534D0409H03	Shim (Female)	3	
—47	534A0032H02	Spring	1	
—48	534A0251H01	Spring	24	
—49	534C0194H51	Plug, Orifice, 1 1/4-11 1/2 NPT w/.709" orifice	1	
—50	534C0194H42	Plug, Orifice, 1-11 1/2 NPT w/.210" orifice	1	
—51	534C0701H06	Assembly, Shaft Seal ●	1	
—52	534B0004H26	Bearing, Cylindrical Roller ◆	1	
—53	534B0004H34	Bearing, Cylindrical Roller ◆	2	
—54	534B0004H25	Bearing, Cylindrical Roller ◆	1	

FIG. & INDEX	ITEM NUMBER	DESCRIPTION	QTY.	REV.
—55	534B0101H28	Bearing, Ball, Four Point Contact ◆	2	
—56	944A0356H03	Flange	1	
—57	959A0054H34	Gasket	1	
—58	959A0054H36	Gasket	1	
—59	959A0057H18	Gasket, Flange	1	
—60	959A0057H07	Gasket, Flange	1	
—61	534B0426H01	Seal, Lip ●	1	
—62	534B0910H04	Locknut	2	
—63	534A0035H13	Locknut	1	
—64	534A0035H09	Locknut	1	
—65	534B0125H13	Lockwasher	1	
—66	534B0125H09	Lockwasher	1	
—67	534B0125H14	Lockwasher	2	
—68	534A0037H21	Pin, Dowel, Ø8m6 x 40mm	3	
—69	534A0037H19	Pin, Dowel, Ø10h6 x 20mm	1	
—70	534A0037H10	Pin, Dowel, Ø5m6 x 24mm	1	
—71	534A0037H12	Pin, Dowel, Ø5h8 x 10mm ●	1	
—72	534A0037H15	Pin, Dowel, Ø10h8 x 45mm	1	
—73	534B0149H01	Pin, Dowel, 20 x 70mm	2	
—74	534B0151H01	Pin, Dowel, 20 x 70mm, Special	2	
—75	534A0038H08	Pin, Spring, .25 x .625" ●	1	
—76	534A0038H10	Pin, Spring, .312 x 1" ●	1	
—77	534B0014H22	Ring, Retaining	2	
—78	534B0244H01	Ring, Retaining	1	
—79	534B0174H09	Ring, Retaining	3	
—80	333Q0000376	Ring, Retaining ●	1	
—81	534C0187H21	Glyd Ring®	1	
—82	534C0510H04	Slydring®	1	
—83	534B0006H07	Seal, Rod	2	
—84	534C0187H11	Glyd Ring®	1	
—85	534C0510H01	Slydring®	1	
—86	534A0076H04	Capscrew, Socket Head, 1-8UNC x 3-1/2"	1	
—87	901A0202H10	Capscrew, Socket Head, (m6x1.0) x 30mm	2	
—88	901A0202H13	Capscrew, Socket Head, (m6x1.0) x 45mm	4	
—89	901A0223H08	Capscrew, Socket Head, (m16x2.0) x 60mm	4	
—90	901A0223H09	Capscrew, Socket Head, (m16x2.0) x 65mm	69	
—91	901A0223H16	Capscrew, Socket Head, (m16x2.0) x 120mm	10	
—92	901A0222H09	Capscrew, Socket Head, (m20x2.5) x 75mm	4	
—93	901A0232H12	Capscrew, Socket Head, (m24x3.0) x 90mm	45	
—94	901A0232H15	Capscrew, Socket Head, (m24x3.0) x 120mm	3	
—95	901A0207H03	Capscrew, Hex Head, (m24x3.0) x 50mm	16	
—96	901A0231H01	Capscrew, Hex Head, (m30x3.5) x 50mm	20	
—97	534C0517H01	Shim, Bearing, Male Outer Race	A/R	
—98	534C0517H02	Shim, Bearing, Male Outer Race	A/R	
—99	534C0517H03	Shim, Bearing, Male & Female Inner Race	A/R	
—100	944A0010H02	Bushing	1	
—101	534B0766H01	Ring, Retaining	1	
—102	534A0037H02	Pin, Dowel, Ø5m6 x 12mm	1	
—103	944A0228H05	Plug, Straight Thread O-ring, 9/16-18UNF-2A	2	
—104	980A0012A79	O-ring ■	1	
—105	980A0012B04	O-ring ■	1	
—106	980A0012B33	O-ring ■	3	
—107	980A0012B81	O-ring ■	1	
—108	980A0012B90	O-ring ■ ●	1	
—109	980A0012H01	O-ring ■	1	
—110	980A0012H02	O-ring ■	1	
—111	980A0012H03	O-ring ■	2	
—112	980A0012H04	O-ring ■ ●	4	

SGC ROTARY SCREW COMPRESSOR
SERVICE PARTS LIST



FIG. & INDEX	ITEM NUMBER	DESCRIPTION	QTY.	REV.
—113	980A0012H05	O-ring ■	1	
—114	980A0012H06	O-ring ■	1	
—115	980A0012H07	O-ring ■	1	
—116	980A0012H41	O-ring ■	2	
—117	980A0012H81	O-ring ■	1	
—118	980A0012H85	O-ring ■	1	
—119	980A0012K60	O-ring ■	3	
—120	980A0012K62	O-ring ■	1	
—121	980A0012K75	O-ring ■	2	

This page left blank intentionally.

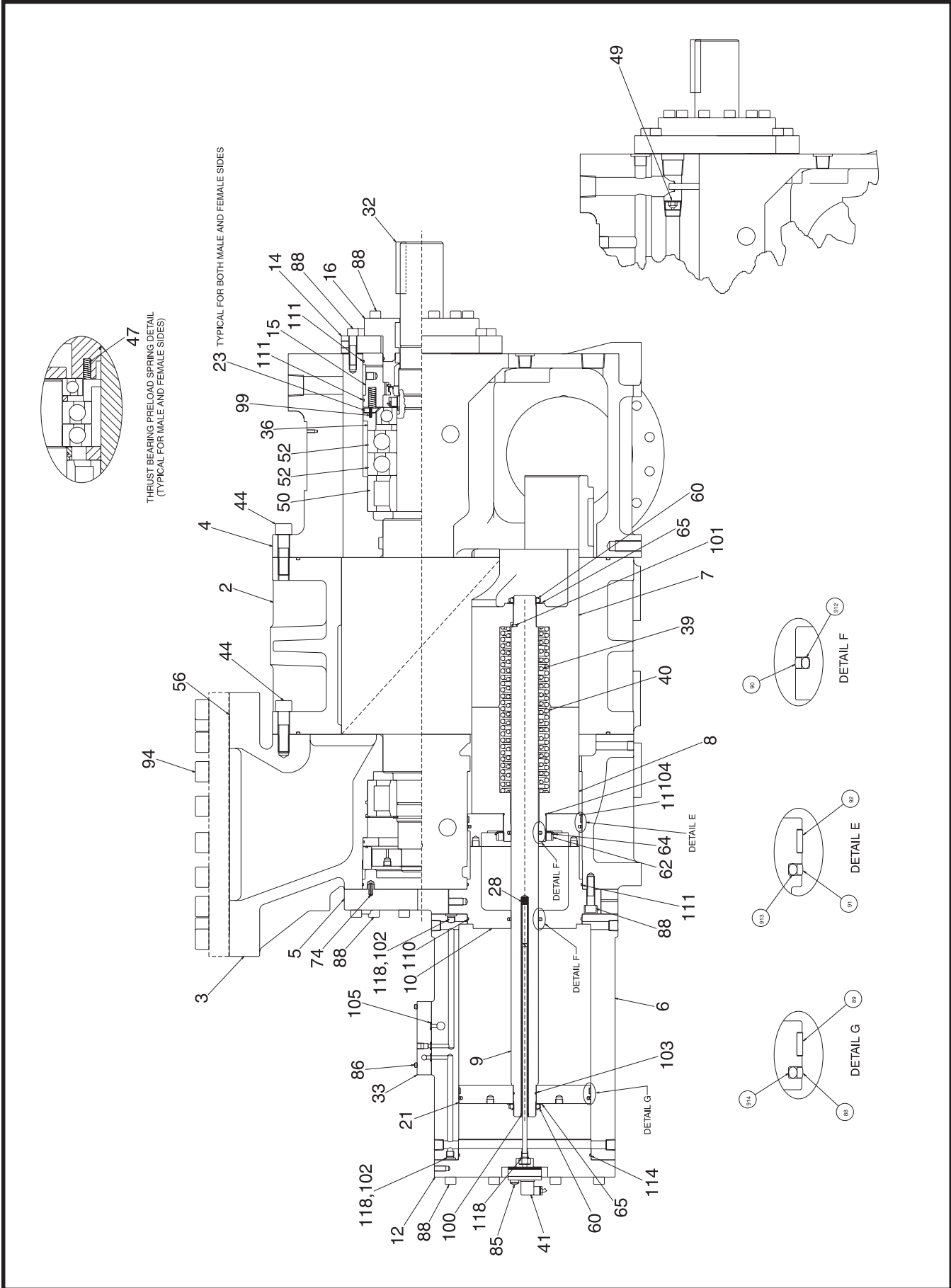


Figure 6a. SGCH 3511-3519 Screw Compressor Cross Section, Side.

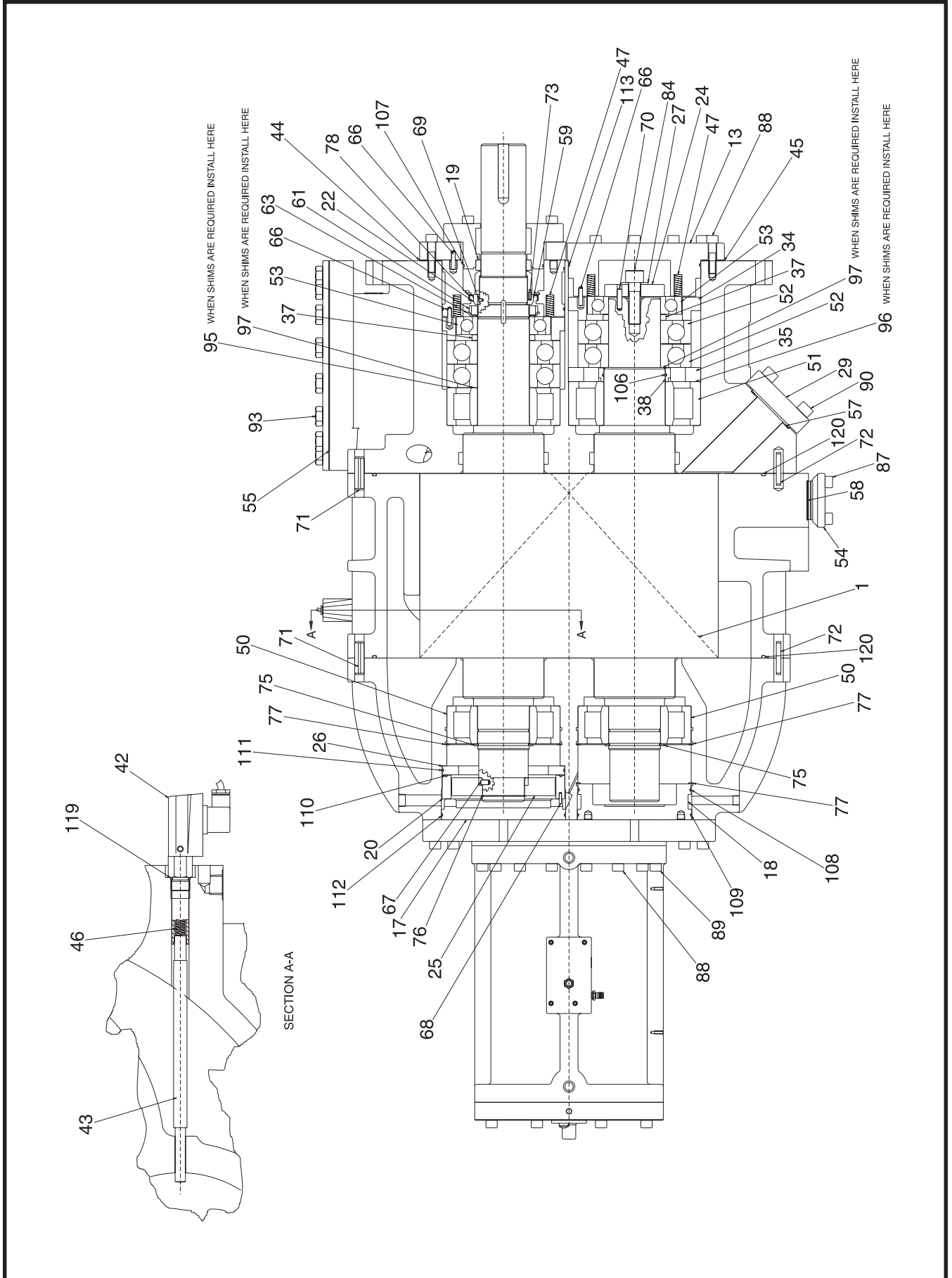


Figure 6b. SGCH 3511-3519 Screw Compressor Cross Section, Top.

FIG. & INDEX	ITEM NUMBER	DESCRIPTION	QTY.	REV.
6—	534D1444G01	Assembly, Compressor SGCH3511, New	Ref.	B
	534D1445G01	Assembly, Compressor SGCH3515, New	Ref.	B
	534D1446G01	Assembly, Compressor SGCH3519, New	Ref.	B
—1	534A0836G02	Rotor Pair, 3511	1	
	534A0837G02	Rotor Pair, 3515	1	
	534A0838G02	Rotor Pair, 3519	1	
—2	534D0407G02	Assembly, Rotor Housing, 3511	1	
	534D0407G03	Assembly, Rotor Housing, 3515	1	
	534D0407G04	Assembly, Rotor Housing, 3519	1	
—3	534E0181C01	Housing, Inlet	1	
—4	534E0939C01	Housing, Discharge	1	
—5	534D0370C01	Cover, Inlet	1	
—6	534E0945C01	Cylinder	1	
—7	534D0429C01	Valve, Slide, 3511	1	
	534D0365C01	Valve, Slide, 3515	1	
	534D0859C01	Valve, Slide, 3519	1	
—8	534D0430C01	Stop, Slide, 3511	1	
	534D0366C01	Stop, Slide, 3515	1	
	534D0861C01	Stop, Slide, 3519	1	
—9	534D1419H01	Spindle, 3511	1	
	534D1419H02	Spindle, 3515	1	
	534D1419H03	Spindle, 3519	1	
—10	534D0373C01	Cover, Slide Stop	1	
—11	534D0431C01	Piston, Slide Stop, 3511	1	
	534D0367C01	Piston, Slide Stop, 3515, 3519	1	
—12	534D1420H01	Cover, Cylinder	1	
—13	534D1402C01	Cover, Outlet	1	
—14	534D1400C01	Cover, Seal Housing	1	
—15	534D1401C01	Spacer, Seal Housing	1	
—16	534D0766C01	Cover, Housing	1	
—17	534D0374C01	Cover, Male Inlet Bore	1	
—18	534D0375C01	Cover, Female Inlet Bore	1	
—19	534C0701H06	Assembly, Shaft Seal ●	1	
—20	534D0391C01	Sleeve, Male Balance Piston	1	
—21	534D1231C01	Piston, Spindle	1	
—22	534C0487H01	Ring, Seal Distance	1	
—23	534A0870H01	Key, Antirotation	2	
—24	534C0492H01	Plate, Bearing	1	
—25	534D0639H01	Piston, Male Balance	1	
—26	534D0392H01	Ring, Male	1	
—27	534B0239H01	Washer	1	
—28	534B0765H01	Spring	1	
—29	534D1429C01	Plug, Vapor Injection	1	
—30	534B1015H01	Plug, Liquid Injection, Low Vi (SL-1)	1	
—31	534B1014H01	Plug, Liquid Injection, High Vi (SL-2)	1	
—32	534A0662H04	Key, Square	1	
—33	534C1711H01	Adapter, Cylinder Block	1	
—34	534C1661H02	Spacer, Bearing Preload Female	1	
—35	534D0412C01	Spacer, Bearing	1	
—36	534C1661H01	Spacer, Bearing Preload Male	1	
—37	534B0238H01	Spacer, Bearing	2	
—38	534C1587H01	Spacer, Bearing	1	
—39	534B0249H01	Spring, Unloader, 3511	1	
	534B0240H01	Spring, Unloader, 3515, 3519	1	
—40	534B0250H01	Spring, Unloader, 3511	1	
	534B0242H01	Spring, Unloader, 3515, 3519	1	

FIG. & INDEX	ITEM NUMBER	DESCRIPTION	QTY.	REV.
—41	534D1251H01	Transmitter, Long Stroke Linear	1	
	534D1251H02	Tube, Aluminum	1	
	534D1251H03	Transmitter, Linear	1	
—42	534C1478H01	Transmitter, Short Stroke Linear	1	
	534C1478H02	Transmitter, Linear, less well	1	
—43	534C1314H03	Rod, Indicator	1	
—44	534D0408G01	Shim Pack, Male	1	
—45	534D0409H03	Shim, Female	3	
—46	534A0032H02	Spring	1	
—47	534A0251H01	Spring	24	
—48	534C0194H53	Plug, Orifice, 1 1/4-11 1/2 NPT w/.500" orifice, 3511	1	
	534C0194H52	Plug, Orifice, 1 1/4-11 1/2 NPT w/.609" orifice, 3515	1	
	534C0194H51	Plug, Orifice, 1 1/4-11 1/2 NPT w/.709" orifice, 3519	1	
—49	534C0194H42	Plug, Orifice, 1-11 1/2 NPT w/.210" orifice, 3511, 3515, 3519	1	
—50	534B0004H26	Bearing, Cylindrical Roller ◆	3	
—51	534B0004H25	Bearing, Cylindrical Roller ◆	1	
—52	534C0478H05	Bearing, Angular Contact Ball ◆	4	
—53	534C0478H07	Bearing, Angular Contact Ball ◆	2	
—54	944A0356H03	Flange	1	
—55	959A0054H34	Gasket	1	
—56	959A0054H36	Gasket	1	
—57	959A0057H18	Gasket	1	
—58	959A0057H07	Gasket	1	
—59	534B0426H01	Lip Seal ●	1	
—60	534B0910H04	Locknut	2	
—61	534A0035H13	Locknut	1	
—62	534A0035H09	Locknut	1	
—63	534B0125H13	Lockwasher	1	
—64	534B0125H09	Lockwasher	1	
—65	534B0125H14	Lockwasher	2	
—66	534A0037H21	Pin, Dowel, Ø8m6 x 40mm	3	
—67	534A0037H19	Pin, Dowel, Ø10h6 x 20mm	1	
—68	534A0037H10	Pin, Dowel, Ø5m6 x 24mm	1	
—69	534A0037H12	Pin, Dowel, Ø5h8 x 10mm ●	1	
—70	534A0037H15	Pin, Dowel, Ø10h8 x 45mm	1	
—71	534B0149H01	Pin, Dowel, 20 x 70mm	2	
—72	534B0151H01	Pin, Dowel, 20 x 70mm, Special	2	
—73	534A0038H08	Pin, Spring, .25 x .625" ●	1	
—74	534A0038H10	Pin, Spring, .312 x 1" ●	1	
—75	534B0014H22	Ring, Retaining	2	
—76	534B0244H01	Ring, Retaining	1	
—77	534B0174H09	Ring, Retaining	3	
—78	333Q0000376	Ring, Retaining ●	1	
—79	534C0187H21	Glyd Ring®	1	
—80	534C0510H04	Slydring®	1	
—81	534B0006H07	Seal, Rod	2	
—82	534C0187H11	Glyd Ring®	1	
—83	534C0510H01	Slydring®	1	
—84	534A0076H04	Capscrew, Socket Head, 1-8UNC x 3-1/2"	1	
—85	901A0202H10	Capscrew, Socket Head, (m6x1.0) x 30mm	2	
—86	901A0202H13	Capscrew, Socket Head, (m6x1.0) x 45mm	4	
—87	901A0223H08	Capscrew, Socket Head, (m16x2.0) x 60mm	4	
—88	901A0223H09	Capscrew, Socket Head, (m16x2.0) x 65mm	69	
—89	901A0223H16	Capscrew, Socket Head, (m16x2.0) x 120mm	10	
—90	901A0222H09	Capscrew, Socket Head, (m20x2.5) x 75mm	4	
—91	901A0232H12	Capscrew, Socket Head, (m24x3.0) x 90mm	45	
—92	901A0232H15	Capscrew, Socket Head, (m24x3.0) x 120mm	3	
—93	901A0207H03	Capscrew, Hex Head, (m24x3.0) x 50mm	16	

SGC ROTARY SCREW COMPRESSOR
SERVICE PARTS LIST



FIG. & INDEX	ITEM NUMBER	DESCRIPTION	QTY.	REV.
—94	901A0231H01	Capscrew, Hex Head, (m30x3.5) x 50mm	20	
—95	534C0517H01	Shim, Bearing, Male Outer Race	A/R	
—96	534C0517H02	Shim, Bearing, Male Outer Race	A/R	
—97	534C0517H03	Shim, Bearing, Male & Female Inner Race	A/R	
—98	944A0010H02	Bushing	1	
—99	534A0038H09	Pin, Spring	2	
—100	534B0766H01	Ring, Retaining	1	
—101	534A0037H02	Pin, Dowel, Ø5m6 x 12mm	1	
—102	944A0228H05	Plug, Straight Thread O-ring, 9/16-18UNF-2A	2	
—103	980A0012A79	O-ring ■	1	
—104	980A0012B04	O-ring ■	1	
—105	980A0012B33	O-ring ■	3	
—106	980A0012B81	O-ring ■	1	
—107	980A0012B90	O-ring ■ ●	1	
—108	980A0012H01	O-ring ■	1	
—109	980A0012H02	O-ring ■	1	
—110	980A0012H03	O-ring ■	2	
—111	980A0012H04	O-ring ■ ●	4	
—112	980A0012H05	O-ring ■	1	
—113	980A0012H06	O-ring ■	1	
—114	980A0012H07	O-ring ■	1	
—115	980A0012H41	O-ring ■	2	
—116	980A0012H81	O-ring ■	1	
—117	980A0012H85	O-ring ■	1	
—118	980A0012K60	O-ring ■	3	
—119	980A0012K62	O-ring ■	1	
—120	980A0012K75	O-ring ■	2	

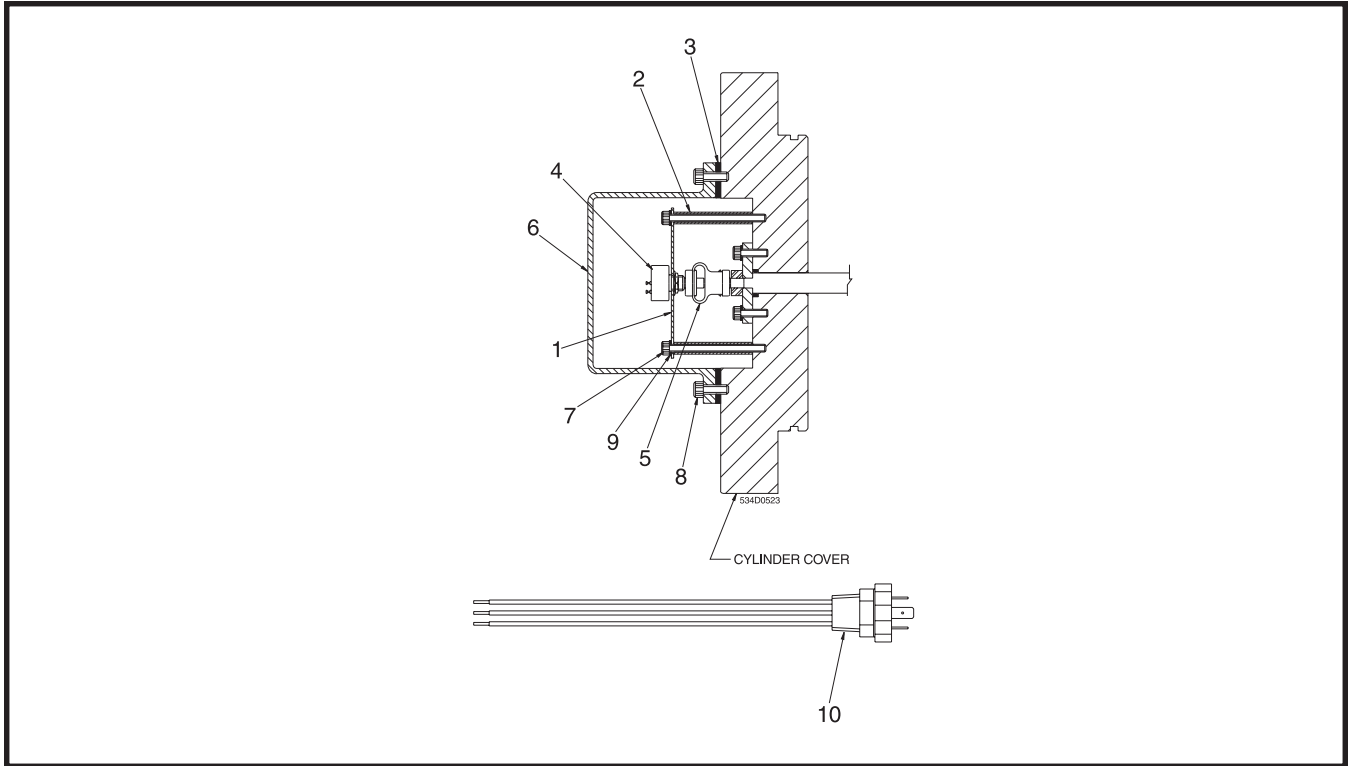


Figure 7. SV Indication Mechanism (units prior to 2001).

FIG. & INDEX	ITEM NUMBER	DESCRIPTION	QTY.	REV.
7—	534D0523G01	Slide Valve Indication Mechanism (only on units prior to 2001)	Ref.	D
—1	534B0294H01	Plate, Mounting, Potentiometer*	1	
—2	534A0263H01	Support, Tubing*	4	
—3	534A0046H01	Gasket*	1	
—4	534B0501H01	Potentiometer*	1	
—5	111Q0451313	Coupling, Flexible*	1	
—6	534B0062C01	Cover	1	
—7	111Q0740729	Capscrew, Socket Head, (M5 x .08) x 60mm	4	
—8	111Q0740728	Capscrew, Socket Head, (M6 x 1.0) x 16mm	4	
—9	111Q0940141	Lockwasher, 5mm	4	
—10	913A0095H01	Connector, Slide Valve Potentiometer Cable	1	
		* 534D0523G02 Service Parts Kit		

SGC ROTARY SCREW COMPRESSOR
SERVICE PARTS LIST



FRICK COMPRESSOR OILS			
Number	5 Gallon	55 Gallon	330 Gallon
2A	111Q0550019	111Q0550020	333Q0001866
3	111Q0550001	111Q0550010	333Q0001861
4	—	111Q0550005	—
5	111Q0550008	111Q0550009	—
6	333Q0000940	333Q0000941	—
7	111Q0550024	111Q0550025	—
9	333Q0000850	333Q0000849	333Q0001862
10	333Q0000740	333Q0000739	—
11	333Q0000852	333Q0000851	333Q0001863
12	333Q0001141	333Q0001142	—
13	333Q0001253	333Q0001254	—
14	333Q0001144	333Q0001145	—
18	—	333Q0001892	—
NG 1	—	333Q0001850	—
NG 2	—	333Q0001851	—
NG 3	—	333Q0001852	—

Oil Analysis Kit - 333Q0001853
Tube of ODP Motor Grease - 333Q0001860

FRICK BLUE PAINT	
Size Each	Item Number
1 PT.	993A0001H01*
1 GAL.	333Q0000404
2 GAL.	333Q0000724**

* Spray Can

** Matte finish epoxy paint. One gallon each of resin and cure that require mixing.

ITEM NUMBER	FIG. & INDEX NO.	ITEM NUMBER	FIG. & INDEX NO.	ITEM NUMBER	FIG. & INDEX NO.
111Q0451313	7-5	534A0038H10	4-75	534B0014H12	3-72
111Q0740728	7-8	534A0038H10	5-76	534B0014H13	3-73
111Q0740729	7-7	534A0038H10	6-74	534B0014H14	2-68
111Q0740738	2-50	534A0046H01	7-3	534B0014H22	4-76
111Q0940141	7-9	534A0076H01	1-55	534B0014H22	5-77
333Q0000376	4-79	534A0076H02	2-55	534B0014H22	6-75
333Q0000376	5-80	534A0076H02	3-59	534B0015H01	1-70
333Q0000376	6-78	534A0076H04	4-85	534B0015H15	3-74
333Q0001219	3-86	534A0076H04	5-86	534B0062C01	7-6
534A0032H02	1-29	534A0076H04	6-84	534B0075H01	2-12
534A0032H02	2-29	534A0226H02	2-72	534B0079H01	2-40
534A0032H02	3-30	534A0251H01	4-48	534B0079H02	3-43
534A0032H02	4-47	534A0251H01	5-48	534B0101H22	2-44
534A0032H02	5-47	534A0251H01	6-47	534B0101H26	3-47
534A0032H02	6-46	534A0263H01	7-2	534B0101H28	4-54
534A0035H02	1-73	534A0387G02	4-1	534B0101H28	5-55
534A0035H07	2-73	534A0388G02	4-1	534B0101H29	1-43
534A0035H08	3-77	534A0662H02	1-36	534B0101H30	1-44
534A0035H09	4-63	534A0662H03	2-36	534B0102H04	1-67
534A0035H09	5-64	534A0662H04	3-39	534B0102H05	1-68
534A0035H09	6-62	534A0662H04	4-33	534B0102H06	2-66
534A0035H13	4-62	534A0662H04	5-33	534B0102H06	3-70
534A0035H13	5-63	534A0662H04	6-32	534B0102H07	2-67
534A0035H13	6-61	534A0744G02	1-1	534B0102H08	3-71
534A0035H14	3-78	534A0745G02	1-1	534B0103H01	1-14
534A0035H15	1-74	534A0750H01	2-74	534B0103H01	2-15
534A0037H02	1-61	534A0760G02	2-1	534B0103H01	3-15
534A0037H02	2-61	534A0761G02	2-1	534B0125H02	1-76
534A0037H02	3-64	534A0762G02	2-1	534B0125H08	3-79
534A0037H02	4-101	534A0768G02	3-1	534B0125H09	4-65
534A0037H02	5-102	534A0769G02	3-1	534B0125H09	5-66
534A0037H02	6-101	534A0770G02	3-1	534B0125H09	6-64
534A0037H03	1-62	534A0772H01	3-76	534B0125H13	4-64
534A0037H03	3-65	534A0772H03	1-75	534B0125H13	5-65
534A0037H10	4-69	534A0836G02	4-1	534B0125H13	6-63
534A0037H10	5-70	534A0836G02	6-1	534B0125H14	4-66
534A0037H10	6-68	534A0837G02	6-1	534B0125H14	5-67
534A0037H12	1-63	534A0838G02	6-1	534B0125H14	6-65
534A0037H12	2-62	534A0839G02	5-1	534B0125H15	3-91
534A0037H12	3-66	534A0870H01	6-23	534B0125H16	1-84
534A0037H12	4-70	534A0898G02	3-1	534B0149H01	1-65
534A0037H12	5-71	534B0004H04	2-42	534B0149H01	2-64
534A0037H12	6-69	534B0004H06	1-41	534B0149H01	3-68
534A0037H14	1-64	534B0004H07	1-42	534B0149H01	4-72
534A0037H15	2-63	534B0004H11	2-43	534B0149H01	5-73
534A0037H15	3-67	534B0004H11	3-45	534B0149H01	6-71
534A0037H15	4-71	534B0004H12	3-46	534B0151H01	1-66
534A0037H15	5-72	534B0004H25	5-54	534B0151H01	2-65
534A0037H15	6-70	534B0004H25	6-51	534B0151H01	3-69
534A0037H19	4-68	534B0004H26	5-52	534B0151H01	4-73
534A0037H19	5-69	534B0004H26	6-50	534B0151H01	5-74
534A0037H19	6-67	534B0004H33	4-53	534B0151H01	6-72
534A0037H21	4-67	534B0004H34	4-52	534B0174H09	4-78
534A0037H21	5-68	534B0004H34	5-53	534B0174H09	5-79
534A0037H21	6-66	534B0006H02	1-37	534B0174H09	6-77
534A0038H01	1-58	534B0006H03	1-38	534B0238H01	6-37
534A0038H02	1-59	534B0006H04	2-37	534B0239H01	4-28
534A0038H02	2-59	534B0006H05	2-38	534B0239H01	5-28
534A0038H05	1-60	534B0006H06	3-40	534B0239H01	6-27
534A0038H05	2-60	534B0006H07	4-82	534B0240H01	4-40
534A0038H08	2-58	534B0006H07	5-83	534B0240H01	5-40
534A0038H08	3-62	534B0006H07	6-81	534B0240H01	6-39
534A0038H08	4-74	534B0006H08	3-41	534B0242H01	4-41
534A0038H08	5-75	534B0014H05	2-69	534B0242H01	5-41
534A0038H08	6-73	534B0014H08	1-69	534B0242H01	6-40
534A0038H09	6-99	534B0014H11	1-71	534B0244H01	4-77
534A0038H10	3-63	534B0014H12	2-70	534B0244H01	5-78

SGC ROTARY SCREW COMPRESSOR
NUMERICAL PARTS LIST



ITEM NUMBER	FIG. & INDEX NO.	ITEM NUMBER	FIG. & INDEX NO.	ITEM NUMBER	FIG. & INDEX NO.
534B0244H01	6—76	534C0194H22	2—79	534C1359C01	2—34
534B0249H01	4—40	534C0194H31	3—83	534C1360H01	1—21
534B0249H01	6—39	534C0194H32	2—79	534C1360H02	1—21
534B0250H01	4—41	534C0194H32	3—84	534C1360H03	2—21
534B0250H01	6—40	534C0194H38	3—85	534C1360H04	2—21
534B0294H01	7—1	534C0194H42	4—50	534C1360H05	2—21
534B0426H01	4—60	534C0194H42	5—50	534C1360H06	3—22
534B0426H01	5—61	534C0194H42	6—49	534C1360H07	3—22
534B0426H01	6—59	534C0194H51	4—49	534C1360H08	3—22
534B0501H01	7—4	534C0194H51	5—49	534C1360H09	3—22
534B0651H01	4—24	534C0194H51	6—48	534C1361H01	2—33
534B0651H01	5—24	534C0194H52	4—49	534C1362H01	2—32
534B0652H01	4—35	534C0194H52	6—48	534C1368H01	2—7
534B0653H01	4—36	534C0194H53	4—49	534C1368H01	3—7
534B0685H01	1—12	534C0194H53	6—48	534C1380H01	2—105
534B0693H01	1—13	534C0249H01	2—16	534C1381H01	2—106
534B0700H01	1—10	534C0250C01	2—17	534C1410H01	1—26
534B0701H01	1—45	534C0251H01	2—13	534C1410H02	1—26
534B0701H02	1—46	534C0268C01	1—17	534C1411H01	3—13
534B0701H02	2—46	534C0269C01	1—16	534C1412C01	3—35
534B0701H03	1—47	534C0270H01	1—15	534C1414H01	3—14
534B0701H04	2—45	534C0478H05	6—52	534C1415H01	3—33
534B0701H05	3—48	534C0478H07	6—53	534C1416H01	3—34
534B0701H06	3—49	534C0487H01	4—23	534C1434C01	3—6
534B0765H01	1—27	534C0487H01	5—23	534C1464H01	3—11
534B0765H01	2—27	534C0487H01	6—22	534C1478H01	1—31
534B0765H01	3—28	534C0492H01	4—25	534C1478H01	2—31
534B0765H01	4—29	534C0492H01	5—25	534C1478H01	3—32
534B0765H01	5—29	534C0492H01	6—24	534C1478H01	4—43
534B0765H01	6—28	534C0510H01	4—84	534C1478H01	5—43
534B0766H01	1—72	534C0510H01	5—85	534C1478H01	6—42
534B0766H01	2—71	534C0510H01	6—83	534C1478H02	1—30
534B0766H01	3—75	534C0510H04	4—81	534C1478H02	2—31
534B0766H01	4—100	534C0510H04	5—82	534C1478H02	3—32
534B0766H01	5—101	534C0510H04	6—80	534C1478H02	4—43
534B0766H01	6—100	534C0517H01	4—96	534C1478H02	5—43
534B0910H04	4—61	534C0517H01	5—97	534C1478H02	6—42
534B0910H04	5—62	534C0517H01	6—95	534C1568H01	4—39
534B0910H04	6—60	534C0517H02	4—97	534C1568H01	5—39
534B1014H01	4—32	534C0517H02	5—98	534C1587H01	5—38
534B1014H01	5—32	534C0517H02	6—96	534C1587H01	6—38
534B1014H01	6—31	534C0517H03	4—98	534C1587H02	4—38
534B1015H01	4—31	534C0517H03	5—99	534C1661H01	6—36
534B1015H01	5—31	534C0517H03	6—97	534C1661H02	6—34
534B1015H01	6—30	534C0645H01	3—11	534C1711H01	4—34
534C0061C01	1—23	534C0701H02	1—40	534C1711H01	5—34
534C0062C01	1—24	534C0701H03	2—41	534C1711H01	6—33
534C0063C01	1—25	534C0701H04	3—44	534C1745H01	1—85
534C0068C01	1—7	534C0701H06	4—51	534D0046C01	1—19
534C0113C01	2—8	534C0701H06	5—51	534D0049C01	1—20
534C0117C01	2—25	534C0701H06	6—19	534D0061C01	1—20
534C0118C01	2—24	534C1264H01	1—83	534D0063C01	1—19
534C0119C01	2—23	534C1264H02	1—83	534D0082C01	2—19
534C0138C01	1—8	534C1264H02	2—84	534D0083C01	2—19
534C0171H01	2—14	534C1264H03	2—85	534D0084C01	2—20
534C0187H02	1—39	534C1264H04	3—90	534D0085C01	2—20
534C0187H03	2—39	534C1264H05	3—90	534D0121C01	1—9
534C0187H04	3—42	534C1295C01	1—22	534D0127C01	2—10
534C0187H11	4—83	534C1296C01	1—34	534D0129C01	2—9
534C0187H11	5—84	534C1297H01	1—32	534D0140C01	3—20
534C0187H11	6—82	534C1314H01	1—30	534D0141C01	3—20
534C0187H21	4—80	534C1314H01	2—30	534D0150C01	3—10
534C0187H21	5—81	534C1314H02	3—31	534D0151C01	3—9
534C0187H21	6—79	534C1314H03	4—44	534D0153C01	3—26
534C0194H11	1—79	534C1314H03	5—44	534D0154C01	3—25
534C0194H12	1—79	534C1314H03	6—43	534D0161C01	3—8
534C0194H21	2—79	534C1316H01	1—33	534D0168C01	3—19

ITEM NUMBER	FIG. & INDEX NO.	ITEM NUMBER	FIG. & INDEX NO.	ITEM NUMBER	FIG. & INDEX NO.
534D0170C01	3—12	534D1135C02	5—20	534D1429C01	6—29
534D0193C01	2—18	534D1137H01	4—37	534E0181C01	4—3
534D0365C01	4—7	534D1166C01	5—7	534E0181C01	5—3
534D0365C01	6—7	534D1168C01	5—8	534E0181C01	6—3
534D0366C01	4—8	534D1169H01	1—11	534E0456C01	2—19
534D0366C01	6—8	534D1196C01	2—22	534E0460C01	2—20
534D0367C01	4—11	534D1196C02	2—22	534E0652C01	1—5
534D0367C01	5—11	534D1215C01	3—21	534E0655C01	1—3
534D0367C01	6—11	534D1216C01	3—21	534E0657C01	1—4
534D0370C01	4—5	534D1217C01	3—21	534E0678C01	2—4
534D0370C01	5—5	534D1218H01	3—24	534E0679C01	2—3
534D0370C01	6—5	534D1219C01	3—23	534E0681C01	2—5
534D0373C01	4—10	534D1220H01	1—6	534E0704C01	2—5
534D0373C01	6—10	534D1231C01	4—22	534E0705C01	2—4
534D0374C01	4—17	534D1231C01	5—22	534E0710G01	1—2
534D0374C01	5—17	534D1231C01	6—21	534E0710G02	1—2
534D0374C01	6—17	534D1237H01	3—27	534E0711G01	2—2
534D0375C01	4—18	534D1237H02	3—27	534E0711G02	2—2
534D0375C01	5—18	534D1237H03	3—27	534E0711G03	2—2
534D0375C01	6—18	534D1237H05	3—27	534E0727C01	3—4
534D0391C01	4—21	534D1251H01	1—28	534E0738C01	3—3
534D0391C01	5—21	534D1251H01	2—28	534E0739C01	3—5
534D0391C01	6—20	534D1251H01	3—29	534E0740C01	3—5
534D0392H01	4—27	534D1251H01	4—42	534E0751G01	3—2
534D0392H01	5—27	534D1251H01	5—42	534E0751G02	3—2
534D0392H01	6—26	534D1251H01	6—41	534E0751G03	3—2
534D0407G02	4—2	534D1251H02	1—28	534E0751G04	3—2
534D0407G02	6—2	534D1251H02	2—28	534E0772C01	3—4
534D0407G03	4—2	534D1251H02	3—29	534E0939C01	4—4
534D0407G03	6—2	534D1251H02	4—42	534E0939C01	6—4
534D0407G04	4—2	534D1251H02	5—42	534E0945C01	4—6
534D0407G04	6—2	534D1251H02	6—41	534E0945C01	5—6
534D0407G05	5—2	534D1251H03	1—28	534E0945C01	6—6
534D0408G01	4—45	534D1251H03	2—28	534E0968C01	5—4
534D0408G01	5—45	534D1251H03	3—29	534E0969C01	3—4
534D0408G01	6—44	534D1251H03	4—42	534E0970C01	3—5
534D0409H03	4—46	534D1251H03	5—42	535A0505H01	1—82
534D0409H03	5—46	534D1251H03	6—41	535A0505H02	1—82
534D0409H03	6—45	534D1254H01	2—26	535A0505H02	2—82
534D0412C01	5—37	534D1254H02	2—26	535A0505H03	2—83
534D0412C01	6—35	534D1254H03	2—26	535A0505H04	3—89
534D0429C01	4—7	534D1255H01	2—6	543B0125H07	2—75
534D0429C01	6—7	534D1266C01	3—20	543B0125H16	2—86
534D0430C01	4—8	534D1269H01	3—11	901A0192H06	2—57
534D0430C01	6—8	534D1285C01	3—21	901A0192H06	3—60
534D0431C01	4—11	534D1286C01	3—20	901A0202H10	1—48
534D0431C01	6—11	534D1400C01	4—14	901A0202H10	2—47
534D0495C01	2—11	534D1400C01	5—14	901A0202H10	3—50
534D0498C01	1—18	534D1400C01	6—14	901A0202H10	4—86
534D0507C01	3—18	534D1401C01	4—15	901A0202H10	5—87
534D0509C01	3—17	534D1401C01	5—15	901A0202H10	6—85
534D0514H01	3—16	534D1401C01	6—15	901A0202H13	1—49
534D0639H01	4—26	534D1402C01	4—13	901A0202H13	2—48
534D0639H01	5—26	534D1402C01	5—13	901A0202H13	3—51
534D0639H01	6—25	534D1402C01	6—13	901A0202H13	4—87
534D0766C01	4—16	534D1419H01	4—9	901A0202H13	5—88
534D0766C01	5—16	534D1419H01	6—9	901A0202H13	6—86
534D0766C01	6—16	534D1419H02	4—9	901A0206H08	1—56
534D0859C01	4—7	534D1419H02	4—9	901A0206H09	1—57
534D0859C01	6—7	534D1419H02	6—9	901A0206H09	2—56
534D0861C01	4—8	534D1419H03	6—9	901A0207H03	4—94
534D0861C01	6—8	534D1419H04	5—9	901A0207H03	5—95
534D0862C01	4—10	534D1420H01	4—12	901A0207H03	6—93
534D0862C01	5—10	534D1420H01	5—12	901A0207H10	3—61
534D1135C01	4—19	534D1420H01	6—12	901A0222H07	3—56
534D1135C01	5—19	534D1429C01	4—30	901A0222H09	4—91
534D1135C02	4—20	534D1429C01	5—30	901A0222H09	5—92

SGC ROTARY SCREW COMPRESSOR
NUMERICAL PARTS LIST



ITEM NUMBER	FIG. & INDEX NO.	ITEM NUMBER	FIG. & INDEX NO.	ITEM NUMBER	FIG. & INDEX NO.
901A0222H09	6-90	959A0054H36	4-57	980A0012H81	5-117
901A0222H11	3-58	959A0054H36	5-58	980A0012H81	6-116
901A0223H06	2-52	959A0054H36	6-56	980A0012H85	4-117
901A0223H06	3-52	959A0057H04	3-38	980A0012H85	5-118
901A0223H07	1-53	959A0057H05	1-35	980A0012H85	6-117
901A0223H07	3-53	959A0057H06	3-36	980A0012K09	1-97
901A0223H08	2-53	959A0057H07	2-35	980A0012K43	1-98
901A0223H08	4-88	959A0057H07	4-59	980A0012K60	1-99
901A0223H08	5-89	959A0057H07	5-60	980A0012K60	4-118
901A0223H08	6-87	959A0057H07	6-58	980A0012K60	5-119
901A0223H09	3-54	959A0057H18	4-58	980A0012K60	6-118
901A0223H09	4-89	959A0057H18	5-59	980A0012K62	1-100
901A0223H09	5-90	959A0057H18	6-57	980A0012K62	4-119
901A0223H09	6-88	980A0012A70	1-86	980A0012K62	5-120
901A0223H12	1-54	980A0012A79	4-103	980A0012K62	6-119
901A0223H12	2-54	980A0012A79	5-104	980A0012K66	1-101
901A0223H16	3-55	980A0012A79	6-103	980A0012K75	4-120
901A0223H16	4-90	980A0012A98	1-87	980A0012K75	5-121
901A0223H16	5-91	980A0012B04	4-104	980A0012K75	6-120
901A0223H16	6-89	980A0012B04	5-105	980A0014A70	2-87
901A0224H07	1-52	980A0012B04	6-104	980A0014A75	3-92
901A0224H07	2-51	980A0012B33	1-88	980A0014B01	2-88
901A0224H09	1-50	980A0012B33	4-105	980A0014B02	3-93
901A0224H09	2-49	980A0012B33	5-106	980A0014B18	3-94
901A0224H09	3-57	980A0012B33	6-105	980A0014B32	2-89
901A0224H17	1-51	980A0012B79	1-89	980A0014B32	3-95
901A0231H01	4-95	980A0012B81	4-106	980A0014B84	2-90
901A0231H01	5-96	980A0012B81	5-107	980A0014B86	2-91
901A0231H01	6-94	980A0012B81	6-106	980A0014B87	2-92
901A0232H12	4-92	980A0012B83	1-90	980A0014B87	3-96
901A0232H12	5-93	980A0012B84	1-91	980A0014B88	2-93
901A0232H12	6-91	980A0012B87	1-92	980A0014B90	2-94
901A0232H15	4-93	980A0012B88	1-93	980A0014B91	2-95
901A0232H15	5-94	980A0012B90	4-107	980A0014B91	3-97
901A0232H15	6-92	980A0012B90	5-108	980A0014B93	3-98
913A0095H01	7-10	980A0012B90	6-107	980A0014B94	3-99
944A0010H02	4-99	980A0012B93	1-94	980A0014B97	2-96
944A0010H02	5-100	980A0012H01	4-108	980A0014B97	3-100
944A0010H02	6-98	980A0012H01	5-109	980A0014B98	3-101
944A0111H13	3-89	980A0012H01	6-108	980A0014H05	3-102
944A0111H14	3-89	980A0012H02	4-109	980A0014K47	2-100
944A0228H05	1-77	980A0012H02	5-110	980A0014K52	3-106
944A0228H05	2-76	980A0012H02	6-109	980A0014K58	2-101
944A0228H05	3-80	980A0012H03	4-110	980A0014K58	3-107
944A0228H05	4-102	980A0012H03	5-111	980A0014K60	2-102
944A0228H05	5-103	980A0012H03	6-110	980A0014K60	3-108
944A0228H05	6-102	980A0012H04	4-111	980A0014K64	2-103
944A0228H08	1-78	980A0012H04	5-112	980A0014K64	3-109
944A0228H08	2-77	980A0012H04	6-111	980A0014K67	2-104
944A0228H08	3-81	980A0012H05	4-112	980A0014K67	3-110
944A0228H10	2-78	980A0012H05	5-113	980A0014K69	3-110
944A0228H10	3-82	980A0012H05	6-112	980A0042H40	3-103
944A0228H11	3-82	980A0012H06	4-113	980A0042H60	3-104
944A0356H03	4-55	980A0012H06	5-114	980A0042H77	3-105
944A0356H03	5-56	980A0012H06	6-113		
944A0356H03	6-54	980A0012H07	4-114		
944A0358H01	3-37	980A0012H07	5-115		
959A0054H30	1-81	980A0012H07	6-114		
959A0054H31	1-80	980A0012H35	1-95		
959A0054H32	1-80	980A0012H36	2-97		
959A0054H32	2-80	980A0012H41	4-115		
959A0054H33	2-81	980A0012H41	5-116		
959A0054H33	3-87	980A0012H41	6-115		
959A0054H34	3-88	980A0012H49	1-96		
959A0054H34	4-56	980A0012H51	2-98		
959A0054H34	5-57	980A0012H70	2-99		
959A0054H34	6-55	980A0012H81	4-116		



YORK Refrigeration Systems
100 CV Avenue • P.O. Box 997 • Waynesboro, Pennsylvania USA 17268-0997
Phone: 717-762-2121 • FAX: 717-762-8624 • www.frickcold.com