



BY JOHNSON CONTROLS

Form 070.450-SPL (APR 2011)

**SERVICE PARTS LIST**

File: SERVICE MANUAL - Section 70  
Replaces: 070.450-SPL (FEB 2011)  
Dist: 3, 3a, 3b, 3c  
Revised: 19 May 2011 p. 29  
20 June 2011 p. 3

**Service Parts List**

**XJS / XJF**

**ROTARY SCREW COMPRESSORS**

**MODELS: 95, 120, and 151**



**CURRENT XJS 95 & 120 RECOMMENDED SPARE PARTS KITS**

DESCRIPTION	95S	95M	95L	120S	120M	120L
Shaft Seal Kit <sup>(5)</sup> ●	111Q0043229	111Q0043229	111Q0043229	534A0980G01	534A0980G01	534A0980G01
O-ring & Gasket Kit ■	111Q0043226	111Q0043226	111Q0043226	111Q0043223	111Q0043223	111Q0043223
Jackshaft Kit <sup>(1)(2)</sup> ▲	534C1465G01	534C1465G02	534C1465G03	534C2028G01	534C2028G02	534C2028G03
Bearing Kit <sup>(3)</sup> ◆	534M0488G01	534M0488G01	534M0488G01	534M0489G01	534M0489G01	534M0489G01
Thrust Bearing Kit <sup>(3)</sup> ●	534M0250G01	534M0250G01	534M0250G01	534M0251G01	534M0251G01	534M0251G01
Slide Valve Piston Kit <sup>(6)</sup> ★	534B1065G01	534B1065G01	534B1065G01	534B1066G01	534B1066G01	534B1066G01
Linear Transmitter <sup>(4)</sup>	534C1552H02	534C1552H02	534C1552H02	534C1552H02	534C1552H02	534C1552H02
Compressor Tool Kit	534M0008G01	534M0008G01	534M0008G01	534M0008G02	534M0008G02	534M0008G02

Note: When stocking the above, the quantity should be adjusted to meet your individual requirements.

- (1) Contains Shaft Seal Kit and shims.
- (2) For S/N 0061A, 0022B, 0054C, 0211D, 0098E, 0085F and after, with thick gear cover. For earlier compressors with thin gear cover, use following kits: 120S / 534C2029G01; 120M / 534C2029G02; 120L / 534C2029G03.
- (3) Jackshaft Kit items **are not** included in Bearing Kit. Thrust Bearing Kit items **are** included in Bearing Kit.
- (4) For older packages with Plus Board, use Linear Transmitter 534C1681H01. Units made prior to September 2003 with 95 & 120 compressors and June 2001 with 151 compressors that have a potentiometer, the part number is 534B0293H01. See Figure 13.
- (5) On 120S/M/L Compressors built before March 8, 2007, Retrofit kit 534A0982G01 is needed for first seal change. It includes a seal housing with counterbore to house lip seal.
- (6) See Figures 14 & 15.

**CURRENT XJF 95 & 120 RECOMMENDED SPARE PARTS KITS**

DESCRIPTION	95S	95M	95L	120S	120M	120L
Shaft Seal Kit <sup>(5)</sup> ●	111Q0043229	111Q0043229	111Q0043229	534A0980G01	534A0980G01	534A0980G01
O-ring & Gasket Kit ■	111Q0043226	111Q0043226	111Q0043226	111Q0043223	111Q0043223	111Q0043223
Jackshaft Kit <sup>(1)</sup> ▲	534C1465G01	534C1465G02	534C1465G03	534C2028G01	534C2028G02	534C2028G03
Bearing Kit <sup>(2)</sup> ◆	534M0488G02	534M0488G02	534M0488G02	534M0489G01	534M0489G01	534M0489G01
Thrust Bearing Kit <sup>(2)</sup> ●	534M0250G01	534M0250G01	534M0250G01	534M0251G01	534M0251G01	534M0251G01
Slide Valve Piston Kit <sup>(4)</sup> ★	534B1065G01	534B1065G01	534B1065G01	534B1066G01	534B1066G01	534B1066G01
Linear Transmitter <sup>(3)</sup>	534C1552H02	534C1552H02	534C1552H02	534C1552H02	534C1552H02	534C1552H02
Compressor Tool Kit	534M0008G01	534M0008G01	534M0008G01	534M0008G02	534M0008G02	534M0008G02

Note: When stocking the above, the quantity should be adjusted to meet your individual requirements.

- (1) Contains Shaft Seal Kit and shims.
- (2) Jackshaft Kit items **are not** included in Bearing Kit. Thrust Bearing Kit items **are** included in Bearing Kit.
- (3) For older packages with Plus Board, use Linear Transmitter 534C1681H01. Units made prior to September 2003 with 95 & 120 compressors and June 2001 with 151 compressors that have a potentiometer, the part number is 534B0293H01. See Figure 13.
- (4) See Figures 14 & 15.
- (5) On 120S/M/L Compressors built before March 8, 2007, Retrofit kit 534A0982G01 is needed for first seal change. It includes a seal housing with counterbore to house lip seal.

**CURRENT XJF 151 RECOMMENDED SPARE PARTS KITS**

DESCRIPTION	151A	151M	151L	151N
Shaft Seal Kit ●	534M0602G02	534M0602G02	534M0602G02	534M0602G02
O-ring & Gasket Kit ■	534M0602G01	534M0602G01	534M0602G01	534M0602G01
Jackshaft Kit <sup>(1)</sup> ▲	534M0602G04	534M0602G05	534M0602G06	534M0602G07
Bearing Kit <sup>(2)</sup> ◆	534M0602G03	534M0602G03	534M0602G03	534M0602G03
Slide Valve Piston Kit <sup>(4)</sup> ★	534B1067G01	534B1067G01	534B1067G01	534B1067G01
Linear Transmitter <sup>(3)</sup>	534C1552H02	534C1552H02	534C1552H02	534C1552H02
Compressor Tool Kit	534M0483G01	534M0483G01	534M0483G01	534M0483G01

Note: When stocking the above, the quantity should be adjusted to meet your individual requirements.

- (1) Contains Jackshaft Assembly: 151A - 534C1195G01, 151M - 534C1195G02, 151L - 534C1195G03, 151N - 534C1195G04.
- (2) Jackshaft Kit items **are not** included in Bearing Kit. Bearing Kit contains shims.
- (3) For older packages with Plus Board, use Linear Transmitter 534C1681H01. Units made prior to September 2003 with 95 & 120 compressors and June 2001 with 151 compressors that have a potentiometer, the part number is 534B0293H01. See Figure 13.
- (4) See Figure 16.

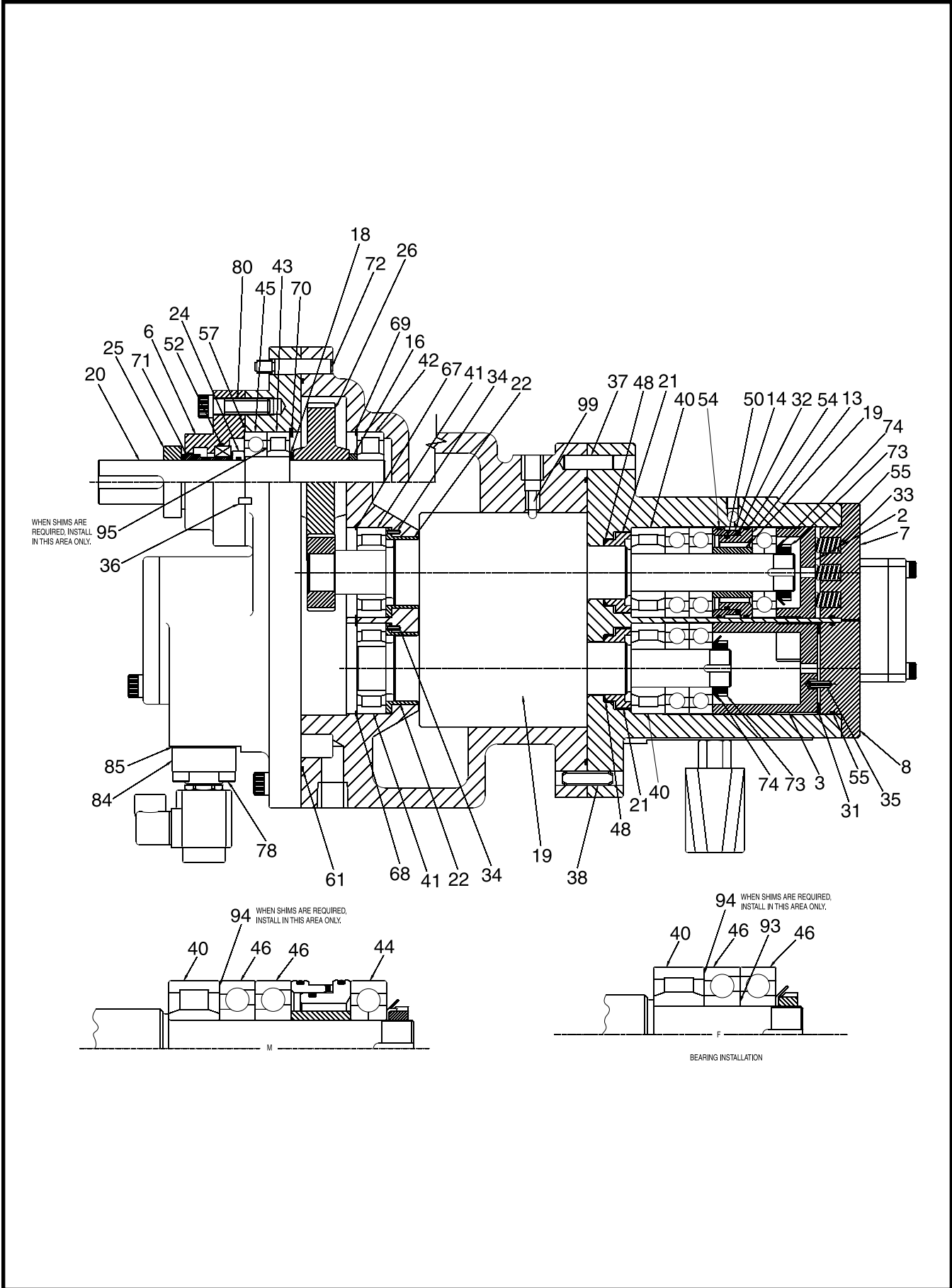
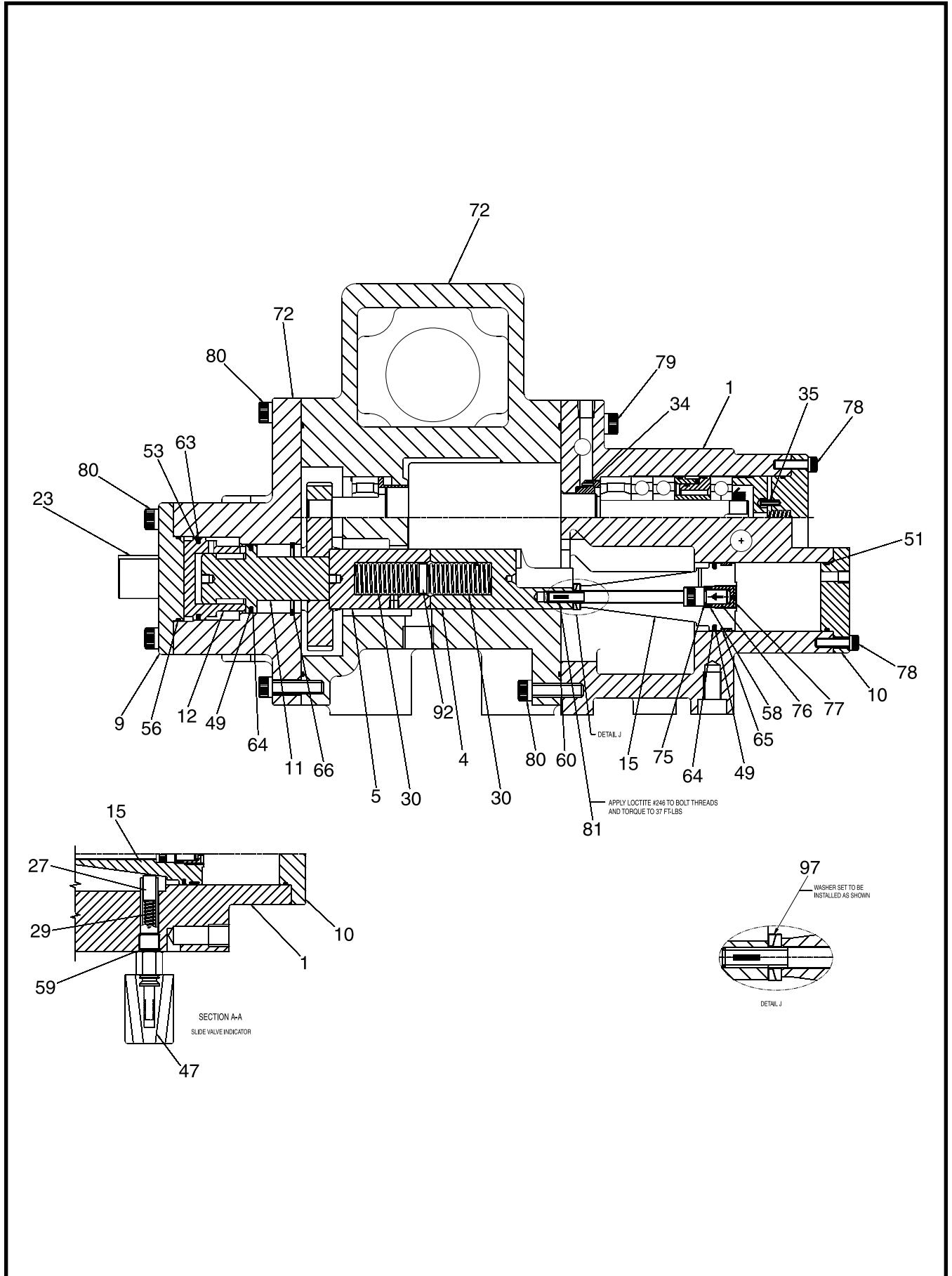


Figure 1a. XJS 95 Screw Compressor, Typical.



**Figure 1b. XJS 95 Screw Compressor, Typical.**

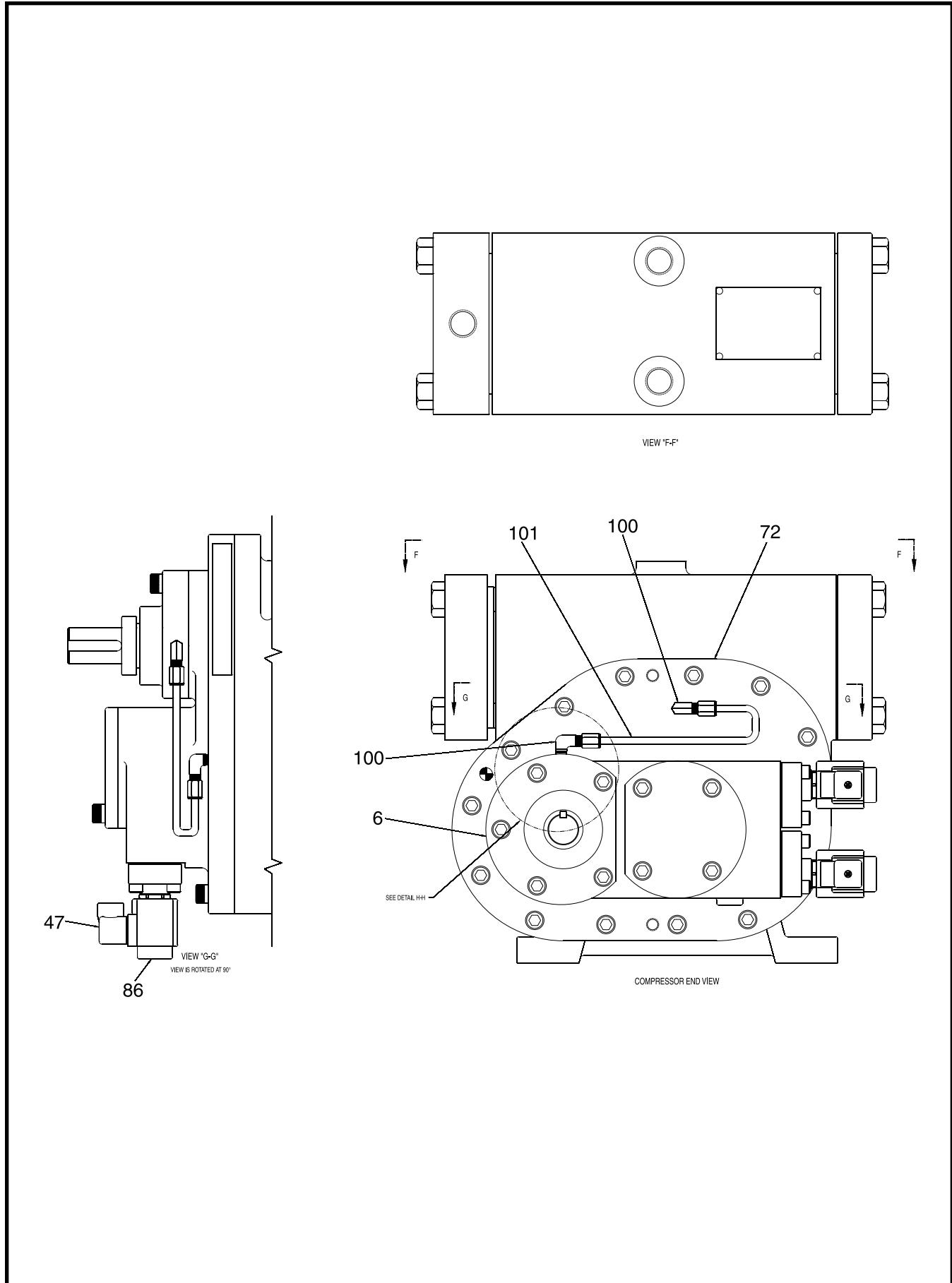
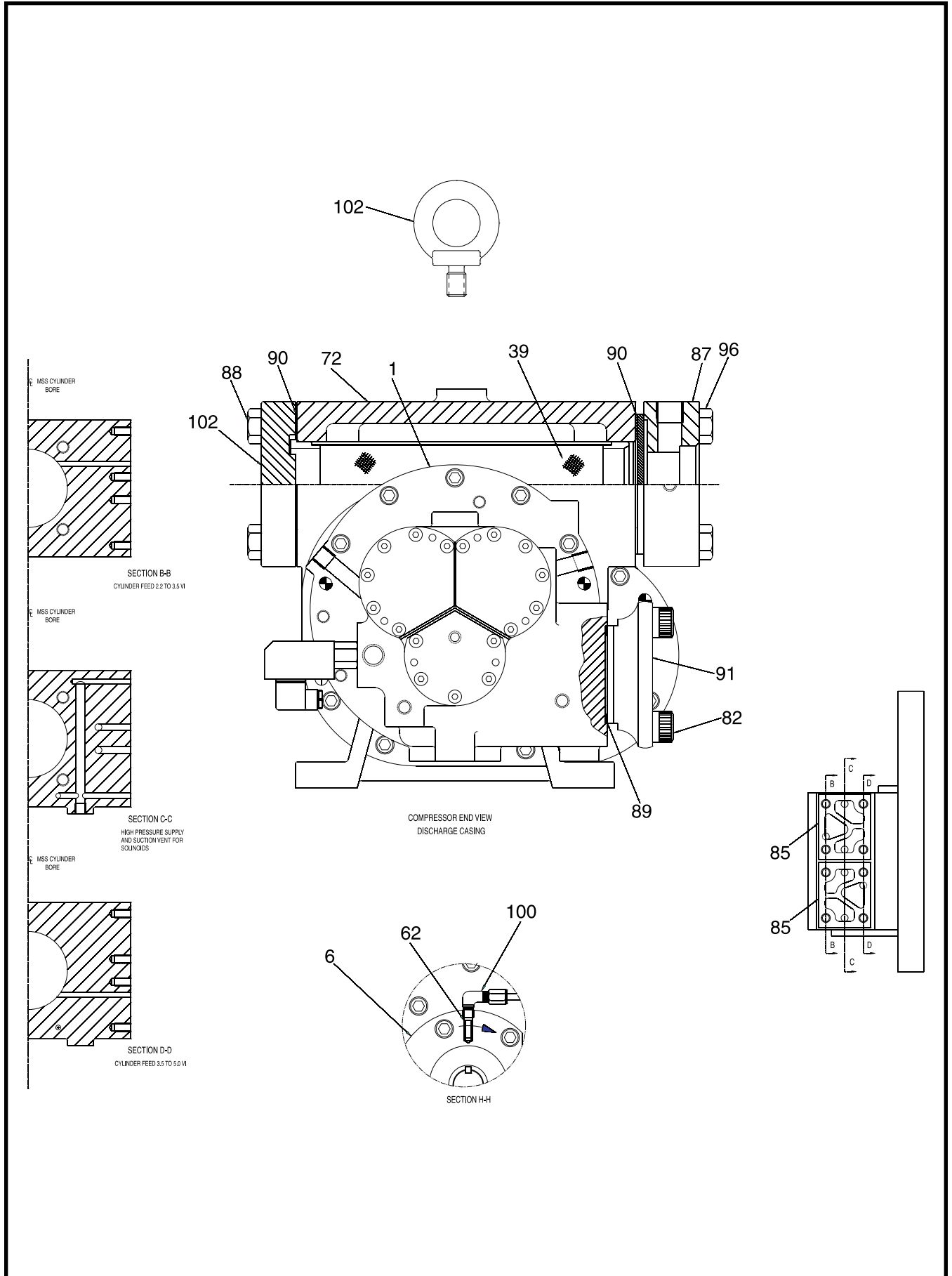


Figure 1c. XJS 95 Screw Compressor, Typical.



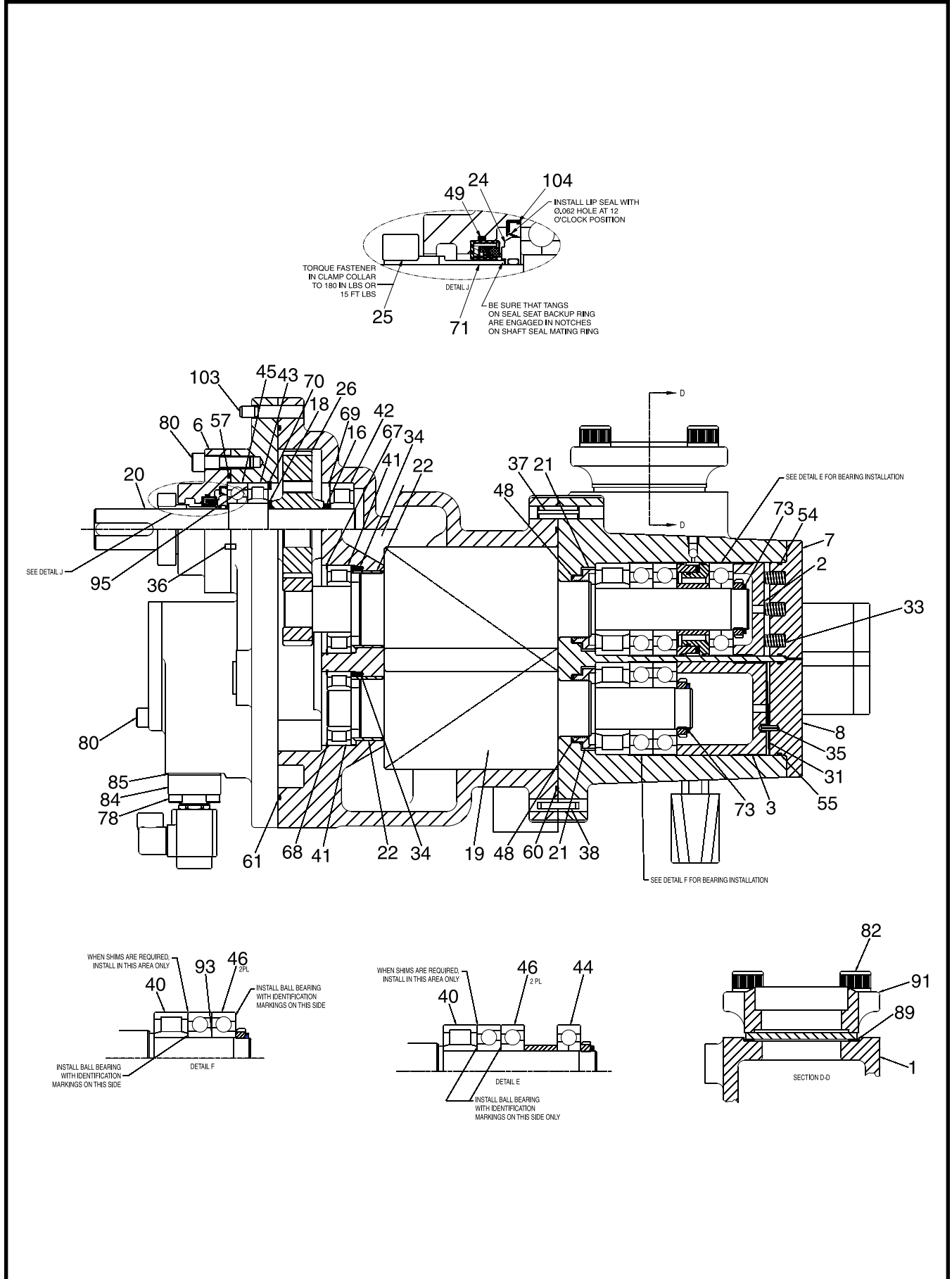
**Figure 1d. XJS 95 Screw Compressor, Typical.**

FIG. & INDEX	ITEM NUMBER	DESCRIPTION	QTY.	REV.
1-	534E0256	XJS 95S/M/L Screw Compressor, New	Ref.	AF
	534E0256G01	XJS 95S Screw Compressor	Ref.	
	534E0256G02	XJS 95M Screw Compressor	Ref.	
	534E0256G03	XJS 95L Screw Compressor	Ref.	
-1	534E0195C01	Casing, Discharge, XJS 95	1	
-2	534C0473C01	Sleeve, Male Distance, XJS 95	1	
-3	534C0474C01	Sleeve, Female Distance, XJS 95	1	
-4	534D0342C01	Valve, Slide, XJS 95	1	
-5	534C0415C01	Stop, Slide, XJS 95	1	
-6	534C0614C01	Housing, Seal, XJS 95 ▲	1	
-7	534C0419C01	Cover, Outlet Bore, XJS 95	1	
-8	534C0419C02	Cover, Outlet Bore, XJS 95	1	
-9	534C0423C01	Cover, Slide Stop, XJS 95	1	
-10	534C0424C01	Cover, Cylinder, XJS 95	1	
-11	534D0344H01	Piston, Slide Stop, XJS 95	1	
-12	534C1044H01	Piston, Stepper, XJS 95	1	
-13	534C0482H01	Piston, Balance, XJS 95	1	
-14	534C0483H01	Sleeve, Balance Piston, XJS 95	1	
-15	534D1518H01	Piston, Slide Valve, XJS 95 <sup>(1)</sup> ★	1	
-16	534A0167H01	Spacer, Bearing, XJS 95 ▲	1	
-17	534B0234H01	Spacer, Bearing, XJS 95	1	
-18	534A0230H01	Spacer, Bearing, XJS 95 ▲	1	
-19	534A0195G01	Rotor Pair, XJS 95	1	
-20	534C0612H01	Jackshaft, XJS 95 ▲	1	
-21	534C0446C01	Seal, Gas, XJS 95 ◆	2	
-22	534C0426H01	Bushing, Male/Female Inlet, XJS 95 ◆	2	
-23	534B0208H01	Key, XJS 95	1	
-24	534B0731H01	Shaft Seal, XJS 95 ●	1	
-25	534B0182H02	Collar, Clamp, XJS 95 ●	1	
-26	534A0157G01	Set, Gear, 66:31 Ratio, XJS 95 ▲	1	
	534A0157G02	Set, Gear, 60:37 Ratio, XJS 95 ▲	1	
	534A0157G03	Set, Gear, 55:42 Ratio, XJS 95 ▲	1	
-27	534B0986H01	Rod, Indicator, XJS 95 (Linear Transmitter)	1	
-28	-	not used		
-29	534A0883H01	Spring, Indicator Rod (Linear Transmitter)	1	
-30	534A0835H01	Spring, Unloader	2	
-31	534C0479H11	Spring, Wave, XJS 95 ◆◆	1	
-32	534C0479H04	Spring, Wave, XJS 95	2	
-33	534A0219H01	Spring, Compression, XJS 95	7	
-34	534A0038H06	Pin, Spring, .125 x .375"	4	
-35	534A0038H02	Pin, Spring, .187 x .625"	2	
-36	534A0037H12	Pin, Dowel	2	
-37	534B0149H02	Pin, Dowel	1	
-38	534B0193H01	Pin, Dowel	1	
-39	534C0428G01	Assembly, Suction Strainer, XJS 95	1	
-40	534B0004H18	Bearing, Roller, XJS 95 ◆	2	
-41	534B0004H13	Bearing, Roller, XJS 95 ◆	2	
-42	534B0004H16	Bearing, Roller, XJS 95 ▲	1	
-43	534B0004H21	Bearing, Roller, XJS 95 ▲	1	
-44	534B0101H08	Bearing, Four-Point Contact Ball, XJS 95 ◆◆	1	
-45	534B0101H23	Bearing, Four-Point Contact Ball, XJS 95 ▲	1	
-46	534C0478H11	Bearing, Angular Contact Ball, XJS 95 ◆◆	4	
-47	534C1552H01	Transmitter, Linear, w/well	1	
	534C1552H02	Transmitter, Linear, less well	1	
	649A0890H02	DIN Connector	3	
	649A0890H11	Gasket	3	
-48	980A0012A85	O-ring, XJS 95 ■	2	
-49	980A0012A86	O-ring, XJS 95 <sup>(1)</sup> ■ ★	2	
-50	980A0012A88	O-ring, XJS 95 ■	1	
-51	980A0012A89	O-ring, XJS 95 <sup>(1)</sup> ■ ★	1	

FIG. & INDEX	ITEM NUMBER	DESCRIPTION	QTY.	REV.
-52	980A0012A90	O-ring, XJS 95 ■●	1	
-53	980A0012A94	O-ring, XJS 95 ■	1	
-54	980A0012A96	O-ring, XJS 95 ■	2	
-55	980A0012A97	O-ring, XJS 95 ■	2	
-56	980A0012A98	O-ring, XJS 95 ■	1	
-57	980A0012B04	O-ring, XJS 95 ■●	1	
-58	980A0012B35	O-ring, XJS 95 <sup>(1)</sup> ■★	1	
-59	980A0012K62	O-ring, XJS 95 ■	1	
-60	980A0012B99	O-ring, XJS 95 ■	1	
-61	980A0012H06	O-ring, XJS 95 ■▲	1	
-62	534A0342H01	Strainer ●	1	
-63	534C0187H08	Glyd Ring®, XJS 95 ■★	1	
-64	534C0187H10	Glyd Ring®, XJS 95 <sup>(1)</sup> ■★	2	
-65	534B0079H03	Slydring®, XJS 95 <sup>(1)</sup> ■★	1	
-66	534B0174H10	Ring, Retaining, XJS 95	1	
-67	534B0174H03	Ring, Retaining, Male Rotor, XJS 95	1	
-68	534B0174H02	Ring, Retaining, Female Rotor, XJS 95	1	
-69	534B0174H06	Ring, Retaining, XJS 95 ▲	1	
-70	534B0014H17	Ring, Retaining, XJS 95 ▲	1	
-71	534B0302H01	Ring, Seal Seat Back-up, XJS 95 ●	1	
-72	534D0856G01	Assembly, Rotor Casing, XJS 95	1	
-73	534A0035H12	Locknut, XJS 95 ◆	2	
-74	534B0125H12	Lockwasher, XJS 95 ◆	2	
-75	534A0341H01	Washer, Check Valve Retainer <sup>(1)</sup> ★	1	
-76	534A0173H01	Valve, Internal Check <sup>(1)</sup> ★	1	
-77	534C0431H01	Retainer, Check Valve <sup>(1)</sup> ★	1	
-78	901A0085H19	Capscrew, Socket Head, (M8x1.25) x 30mm, XJS 95	25	
-79	111Q0740723	Capscrew, Socket Head, (M12x1.75) x 55mm, XJS 95	4	
-80	111Q0740739	Capscrew, Socket Head, (M12x1.75) x 45mm, XJS 95	31	
-81	534A0343H01	Capscrew, Socket Head, (M10x1.50) x 120mm, XJS 95 <sup>(1)</sup>	1	
-82	111Q0740772	Capscrew, Socket Head, (M20x2.5) x 75mm, XJS 95	4	
-83	111Q0740748	Capscrew, Socket Head, (M20x2.5) x 65mm, XJS 95 Blank	4	
-84	951A0115H10	Valve, Solenoid, less coil	2	
-85	534C1972H01	Gasket, Solenoid Valve ■	2	
-86	950A0293H02	Coil, Solenoid, 120VAC	2	
-87	534C1868H01	Assembly, Suction Flange, 2-1/2", XJS 95	1	
	534C1872H01	Assembly, Suction Flange, 3", XJS 95	1	
-88	534D0349C01	Flange, Blank, XJS 95	1	
-89	959A0057H06	Gasket, Flange, XJS 95 ■	1	
-90	959A0066H12	Gasket, Flange, XJS 95 ■	2	
-91	580D0071H24	Flange, Socket Weld, 2-1/2", XJS 95	1	
-92	534B0930H01	Support, Spring	1	
-93	534C0486H08	Shim, Female Discharge Bearings, XJS 95 ◆◆	1	
-94	333Q0000703	Shim Pack, Discharge Bearings, XJS 95	A/R	
-95	333Q0000717	Shim Pack, Shaft Seal/Bearings Arrangement, XJS 95	A/R	
-96	901A0222H11	Capscrew, Socket Head, (M20x2.5) x 90mm, XJS 95 Suction	4	
-97	534A0932H01	Washer Set, Spherical <sup>(1)</sup>	1	
-98	534C0194H16	Plug, Orifice, 3/8-18 NPTF w/.062" orifice, XJS 95	1	
-99	534C0194H07	Plug, Orifice, 1/4-18 NPTF w/.136" orifice, XJS 95	1	
-100	944A0113H01	Elbow, 1/4 ODF x 1/8" MPT	2	
-101	534B0480H01	Tubing, Shaft Seal Oil Feed, XJS 95	1	
-102	901A0196H07	Ring, Lifting	1	

(1) See Figure 14 for Slide Valve Piston Replacement Kit.





**Figure 2b. XJS 120 Screw Compressor, Typical.**

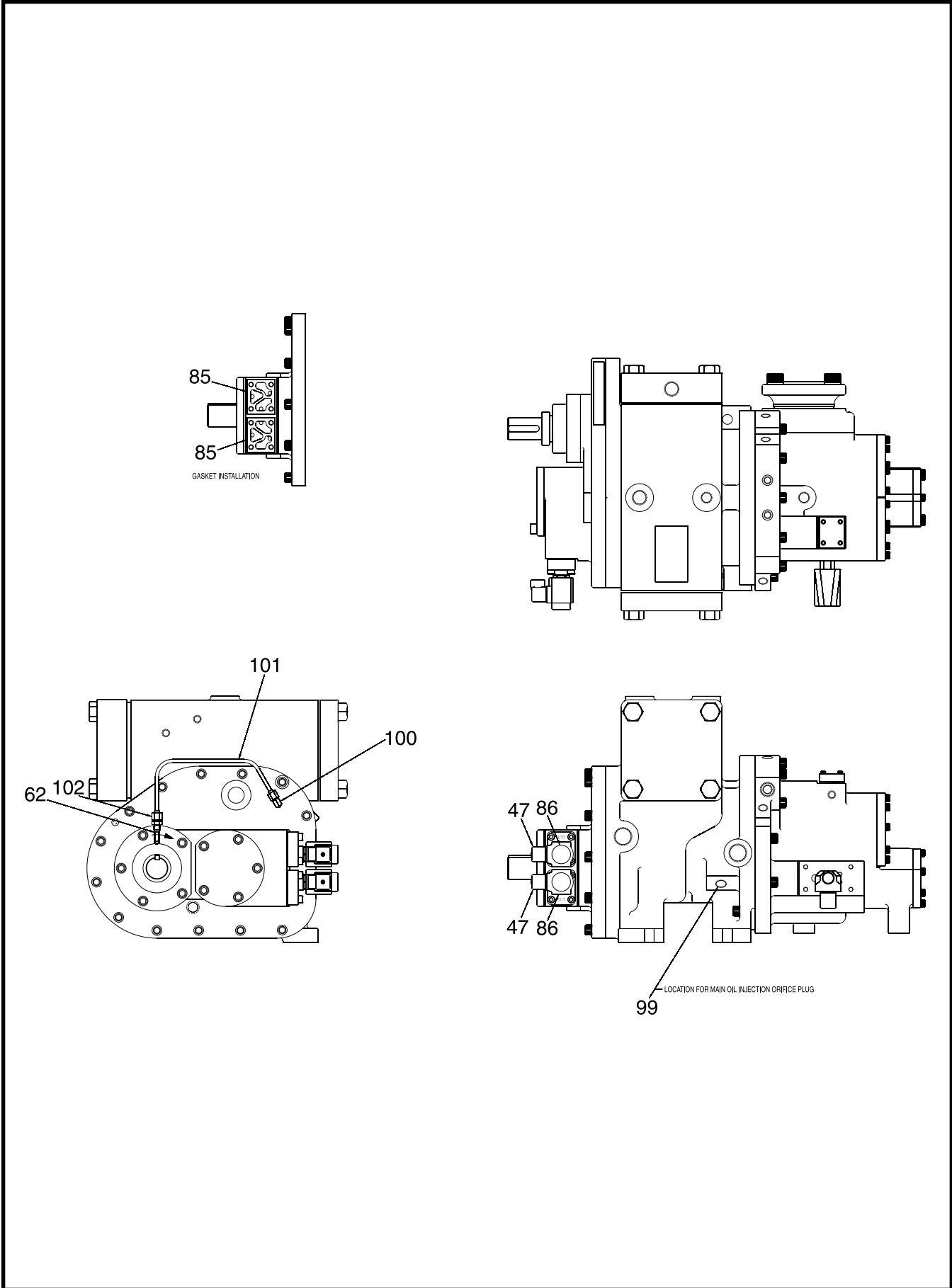
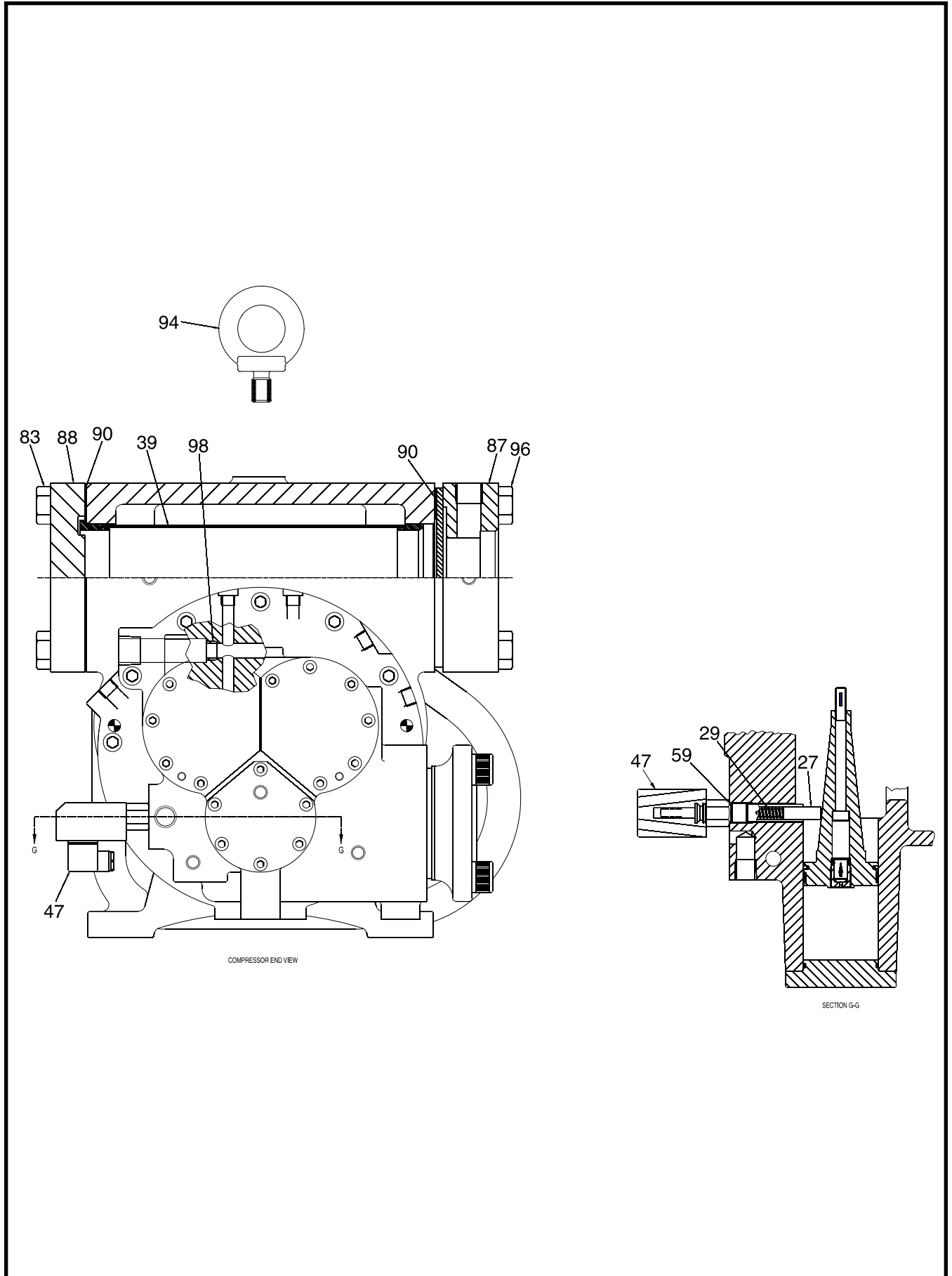


Figure 2c. XJS 120 Screw Compressor, Typical.



**Figure 2d. XJS 120 Screw Compressor, Typical.**

FIG. & INDEX	ITEM NUMBER	DESCRIPTION	QTY.	REV.
2-	534E0257	XJS 120S/M/L Screw Compressor, New	Ref.	AJ
	534E0257G01	XJS 120S Screw Compressor (3" Suction Flange)	Ref.	
	534E0257G02	XJS 120M Screw Compressor	Ref.	
	534E0257G03	XJS 120L Screw Compressor	Ref.	
	534E0257G04	XJS 120S Screw Compressor (4" Suction Flange)	Ref.	
	534E0558	XJS 120S/M/L Screw Compressor, Handwheel, New (See also Fig. 3)	Ref.	V
-1	534E0194C01	Casing, Discharge, XJS 120	1	
-2	534C0471C01	Sleeve, Male Distance, XJS 120	1	
-3	534C0472C01	Sleeve, Female Distance, XJS 120	1	
-4	534D0322C01	Valve, Slide, XJS 120	1	
-5	534D0324C01	Stop, Slide, XJS 120	1	
-6	534D1689C01	Housing, Seal, XJS 120 ▲	1	
-7	534C0378C01	Cover, Outlet Bore, XJS 120	1	
-8	534C0378C02	Cover, Outlet Bore, XJS 120	1	
-9	534C0375C01	Cover, Slide Stop, XJS 120	1	
-10	534C0381C01	Cover, Cylinder, XJS 120	1	
-11	534D0326H01	Piston, Slide Stop, XJS 120	1	
-12	534D0325C01	Piston, Stepper, XJS 120	1	
-13	534C0480H01	Piston, Balance, XJS 120	1	
-14	534C0481H01	Sleeve, Balance Piston, XJS 120	1	
-15	534D1516H01	Piston, Slide Valve, XJS 120 <sup>(1)</sup> ★	1	
-16	534A0145H01	Spacer, Bearing, XJS 120 ▲	1	
-17	534B0233H01	Spacer, Bearing, XJS 120	1	
-18	534A0231H01	Spacer, Bearing, XJS 120 ▲	1	
-19	534A0658G02	Rotor Pair, XJS 120	1	
-20	534C0611H01	Jackshaft, XJS 120 ▲	1	
-21	534C0445C01	Seal, Gas, XJS 120 ◆	2	
-22	534C0373H01	Bushing, Female Inlet, XJS 120 ◆	1	
	534C0377H01	Bushing, Male Inlet XJS 120 ◆	1	
-23	534B0199H01	Key, XJS 120	1	
-24	534C2011H01	Shaft Seal, XJS 120 ●	1	
-25	534B0182H06	Collar, Clamp, XJS 120 ●	1	
-26	534A0147G01	Set, Gear, 66:31 Ratio, XJS 120 ▲	1	
	534A0147G02	Set, Gear, 60:37 Ratio, XJS 120 ▲	1	
	534A0147G03	Set, Gear, 55:42 Ratio, XJS 120 ▲	1	
-27	534B1424G01	Rod, Indicator, XJS 120 (Linear Transmitter)	1	
-28	-	not used		
-29	534A0883H01	Spring, Indicator Rod (Linear Transmitter)	1	
-30	534A0835H01	Spring, Unloader	2	
-31	534C0479H12	Spring, Wave, XJS 120 ◆◆	1	
-32	534C0479H03	Spring, Wave, XJS 120	2	
-33	534A0219H01	Spring, Compression, XJS 120	9	
-34	534A0038H06	Pin, Spring, .125 x .375"	4	
-35	534A0038H02	Pin, Spring, .187 x .625"	2	
-36	534A0037H12	Pin, Dowel	2	
-37	534B0149H02	Pin, Dowel	1	
-38	534B0193H01	Pin, Dowel	1	
-39	534C0408G01	Assembly, Suction Strainer, XJS 120	1	
-40	534B0004H17	Bearing, Roller, XJS 120 ◆	2	
-41	534B0004H13	Bearing, Roller, Female Rotor, XJS 120 ◆	1	
	534B0004H15	Bearing, Roller, Male Rotor, XJS 120 ◆	1	
-42	534B0004H14	Bearing, Roller, XJS 120 ▲	1	
-43	534B0004H22	Bearing, Roller, XJS 120 ▲	1	
-44	534B0101H07	Bearing, Four-Point Contact Ball, XJS 120 ◆◆	1	
-45	534B0101H24	Bearing, Four-Point Contact Ball, XJS 120 ▲	1	
-46	534C0478H10	Bearing, Angular Contact Ball, XJS 120 ◆◆	4	
-47	534C1552H01	Transmitter, Linear, w/well	1	
	534C1552H02	Transmitter, Linear, less well	1	
	649A0890H02	DIN Connector	3	
	649A0890H11	Gasket, DIN Connector	3	
-48	980A0012A93	O-ring, XJS 120 ■	2	

FIG. & INDEX	ITEM NUMBER	DESCRIPTION	QTY.	REV.
-49	980A0012A94	O-ring, XJS 120 <sup>(1)</sup> ■ ★	4	
-50	980A0012A95	O-ring, XJS 120 ■	1	
-51	980A0012A97	O-ring, XJS 120 <sup>(1)</sup> ■ ★	1	
-52	980A0012A94	O-ring, XJS 120 ■ ●	1	
-53	980A0012A98	O-ring, XJS 120 ■	1	
-54	980A0012B03	O-ring, XJS 120 ■	2	
-55	980A0012B03	O-ring, XJS 120 ■	2	
-56	980A0012B02	O-ring, XJS 120 ■	1	
-57	980A0012B72	O-ring, XJS 120 ■ ●	1	
-58	980A0012B35	O-ring <sup>(1)</sup> ■ ★	1	
-59	980A0012K62	O-ring ■	1	
-60	980A0012H05	O-ring, XJS 120 ■	1	
-61	980A0012H10	O-ring, XJS 120 ■ ▲	1	
-62	534A0342H01	Strainer ●	1	
-63	534C0187H08	Glyd Ring <sup>®</sup> , XJS 120 <sup>(1)</sup> ■ ★	4	
-64	534C0187H09	Glyd Ring <sup>®</sup> , XJS 120 ■	1	
-65	534B0079H04	Slydring <sup>®</sup> , XJS 120 <sup>(1)</sup> ■ ★	1	
-66	not used			
-67	534B0174H02	Ring, Retaining, Male Rotor, XJS 120	1	
-68	534B0174H02	Ring, Retaining, Female Rotor, XJS 95, XJS 120	1	
-69	534B0174H04	Ring, Retaining, XJS 120 ▲	1	
-70	534B0014H18	Ring, Retaining, XJS 120 ▲	1	
-71	534C2010H01	Ring, Seal Seat Back-up, XJS 120 ●	1	
-72	534E0143C01	Casing, Rotor, XJS 120*	1	
	534E0155C01	Cover, Gear, XJS 120*	1	
-73	534B0909H01	Locknut w/nylon insert, XJS 120 ◆	2	
-74	not used			
-75	534A0341H01	Washer, Check Valve Retainer <sup>(1)</sup> ★	1	
-76	534A0173H01	Valve, Internal Check <sup>(1)</sup> ★	1	
-77	534C0431H01	Retainer, Check Valve <sup>(1)</sup> ★	1	
-78	901A0085H19	Capscrew, Socket Head, (M8x1.25) x 30mm, XJS 120	26	
-79	111Q0740838	Capscrew, Socket Head, (M12x1.75) x 65, XJS 120	5	
-80	111Q0740739	Capscrew, Socket Head, (M12x1.75) x 45mm, XJS 120	32	
-81	534A0343H01	Capscrew, Socket Head, (M10x1.5) x 120mm <sup>(1)</sup> ★	1	
-82	111Q0740741	Capscrew, Socket Head, (M20x2.5) x 60mm, XJS 120	4	
-83	111Q0740781	Capscrew, Socket Head, (M22x2.5) x 60mm, XJS 120 Blank	4	
-84	951A0115H10	Valve, Solenoid, less coil	2	
-85	534C1972H01	Gasket, Solenoid Valve ■	2	
-86	950A0293H02	Coil, Solenoid, 120VAC	2	
-87	534C1870H01	Assembly, Suction Flange, 3", XJS 120	1	
	535C1874H01	Assembly, Suction Flange, 4", XJS 120	1	
-88	534D0341C01	Flange, Blank, XJS 120	1	
-89	959A0057H18	Gasket, Flange, XJS 120 ■	1	
-90	959A0054H10	Gasket, Flange, XJS 120 ■	2	
-91	944A0296H06	Flange, Socket Weld, 3", XJS 120	1	
-92	534B0930H01	Support, Spring	1	
-93	534C0486H04	Shim, Female Discharge Bearings, XJS 120 ◆◆	1	
-94	901A0196H07	Ring, Lifting	1	
-95	534C0486H09	Shim, .005, XJS 120	2	
	534C0486H10	Shim, .010, XJS 120	1	
-96	901A0192H07	Capscrew, Socket Head, (M22x2.5) x 80mm, XJS 120 Suction	4	
-97	534A0932H01	Washer Set, Spherical <sup>(1)</sup>	1	
-98	534C0194H16	Plug, Orifice, 3/8-18 NPTF w/.062" orifice, XJS 120	1	
-99	534C0194H04	Plug, Orifice, 1/4-18 NPTF w/.196" orifice, XJS 120S/M/L	1	
	534C0194H02	Plug, Orifice, 1/4-18 NPTF w/.218" orifice, XJS 120S	1	
-100	944A0113H01	Elbow, 1/4 ODF x 1/8 MPT	1	
-101	111Q0880452	Tubing, SS	2 ft.	
-102	944A0116H01	Connector, 1/4 ODT x 1/8 MPT	1	
-103	534B0274H01	Pin, Dowel, Tapered	2	
-104	534B1121H01	Seal, Lip, XJS 120	1	

(1) See Figure 15 for Slide Valve Piston Replacement Kit.

\* Rotor casing and gear cover ordered as a set

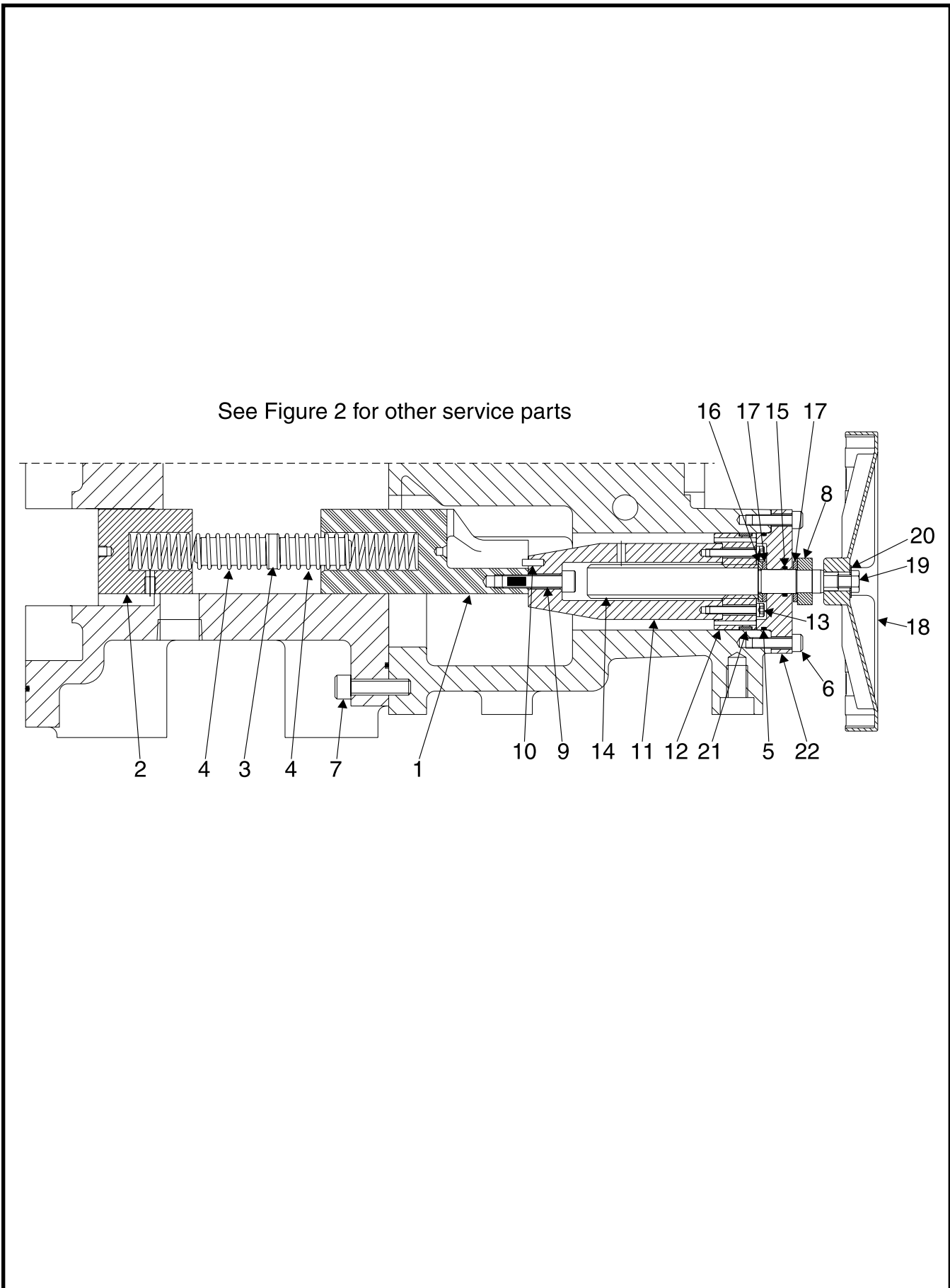


Figure 3. XJS 120 Slide Valve Stop Assembly, Handwheel, Typical.

FIG. & INDEX	ITEM NUMBER	DESCRIPTION	QTY.	REV.
3-	534E0558	XJS 120 S/M/L Screw Compressor, Handwheel, New	Ref.	V
	534E0558G01	XJS 120S Screw Compressor Handwheel	Ref.	
	534E0558G02	XJS 120M Screw Compressor Handwheel	Ref.	
	534E0558G03	XJS 120L Screw Compressor Handwheel	Ref.	
-1	534D0322C01	Valve, Slide	1	
-2	534D0324C01	Stop, Slide	1	
-3	534B0930H01	Support, Spring	1	
-4	534A0835H01	Spring, Unloader	2	
-5	980A0012A97	O-ring* ■	1	
-6	901A0085H19	Capscrew, Socket Head, (M8x1.25) x 30mm	26	
-7	111Q0740739	Capscrew, Socket Head, (M12x1.75) x 45mm	32	
-8	534B0182H04	Collar, Clamp*	1	
-9	534A0725H01	Capscrew, Socket Head, w/nylon insert, (M10x1.5) x 45mm*	1	
-10	534A0037H03	Pin, Dowel*	1	
-11	534B0672H01	Spindle*	1	
-12	534B0673H01	Piston*	1	
-13	333Q0000584	Capscrew, Socket Head, (M6x1.0) x 35mm*	4	
-14	534B0671H01	Screw, Acme*	1	
-15	980A0012A65	O-Ring* ■	1	
-16	534A0726H01	Washer, Steel*	1	
-17	534A0727H01	Washer, Brass*	2	
-18	581B0001H03	Wheel, Hand*	1	
-19	111Q0110110	Capscrew, Hex Head, 3/8-10 x 3/4" *	1	
-20	581A0011H07	Washer, Spring*	1	
-21	534B0079H04	Slydring®* ■	1	
-22	534B0674H01	Cover, Cylinder*	1	
	*534E0661G01	Kit, Retrofit, XJS 120 Handwheel <sup>(1)</sup>	1	

(1) To update XJS120 Manual Adjustment Compressors manufactured prior to 6/98. For visual identification: Retrofit Kit is needed if your compressor does not have a handwheel as pictured.

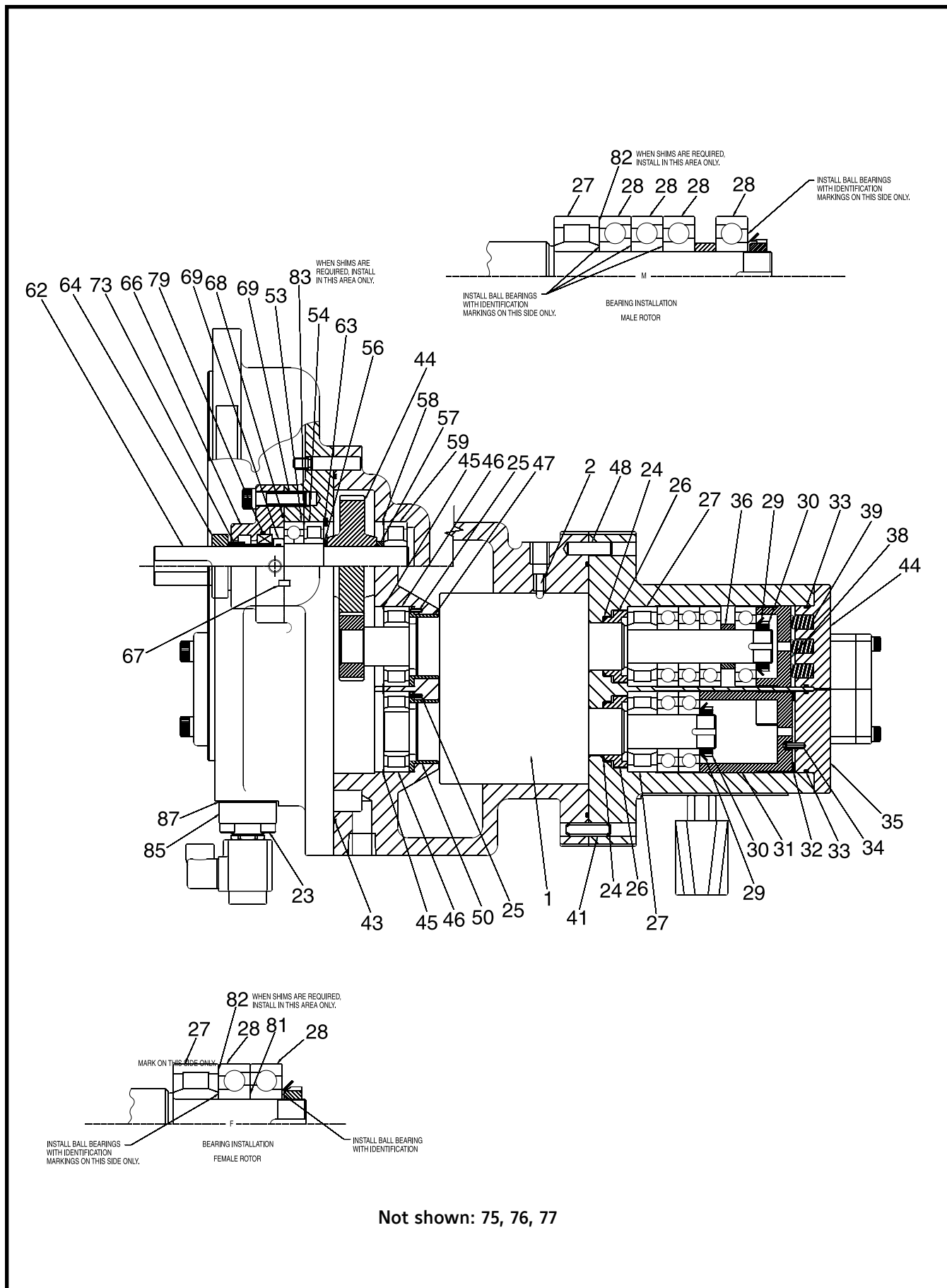
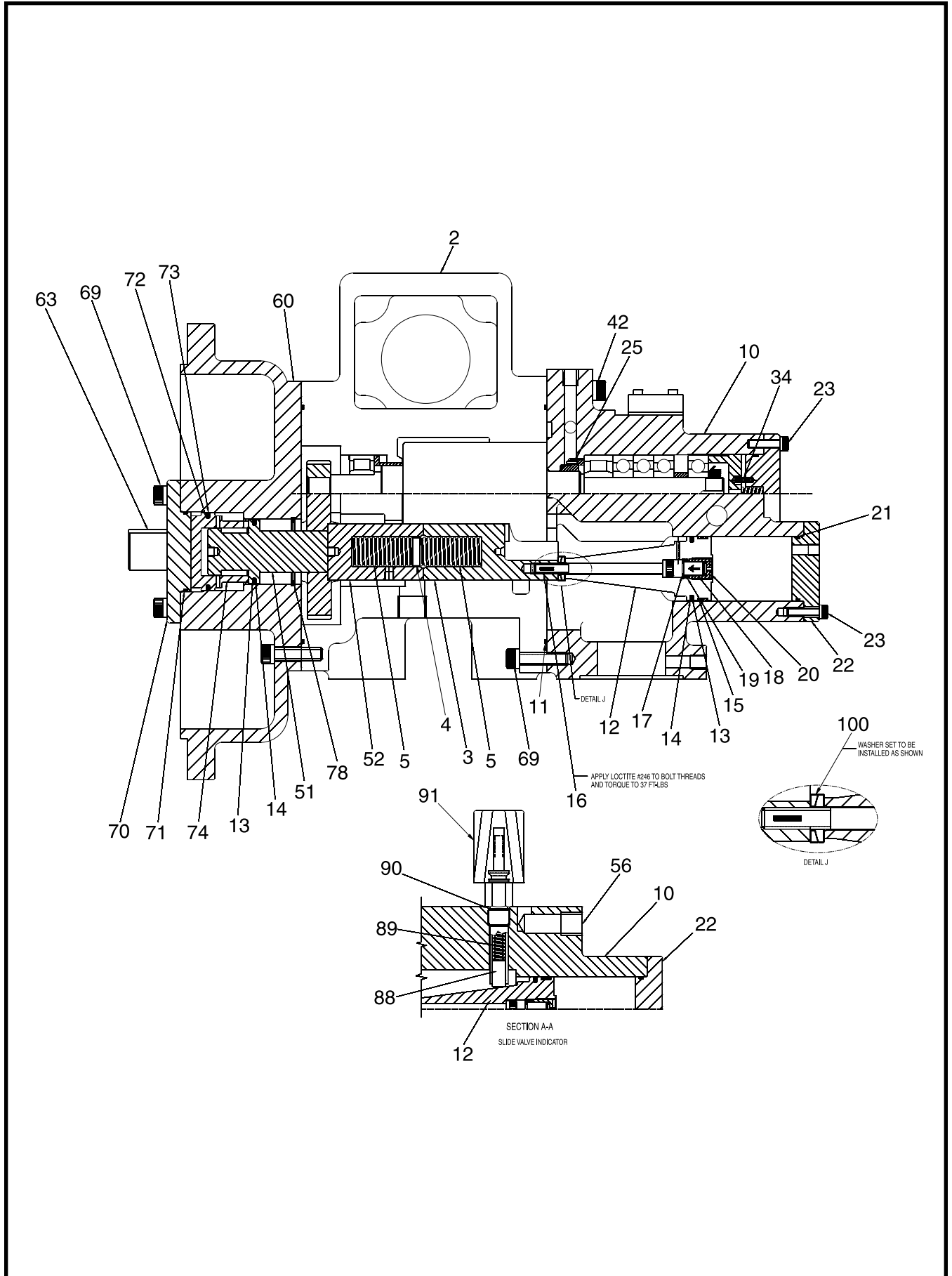


Figure 4a. XJF 95 Screw Compressor, Typical.



**Figure 4b. XJF 95 Screw Compressor, Typical.**

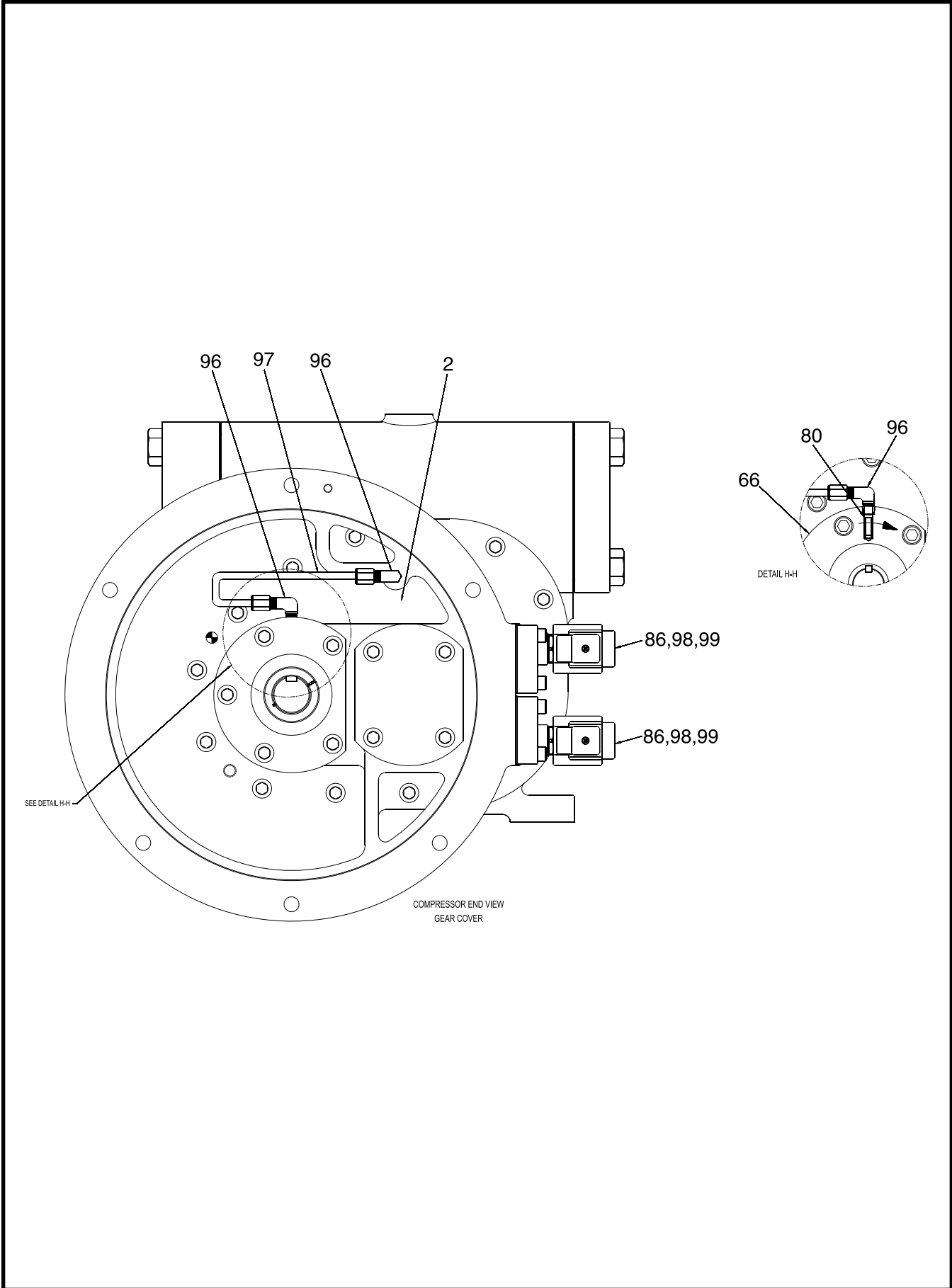
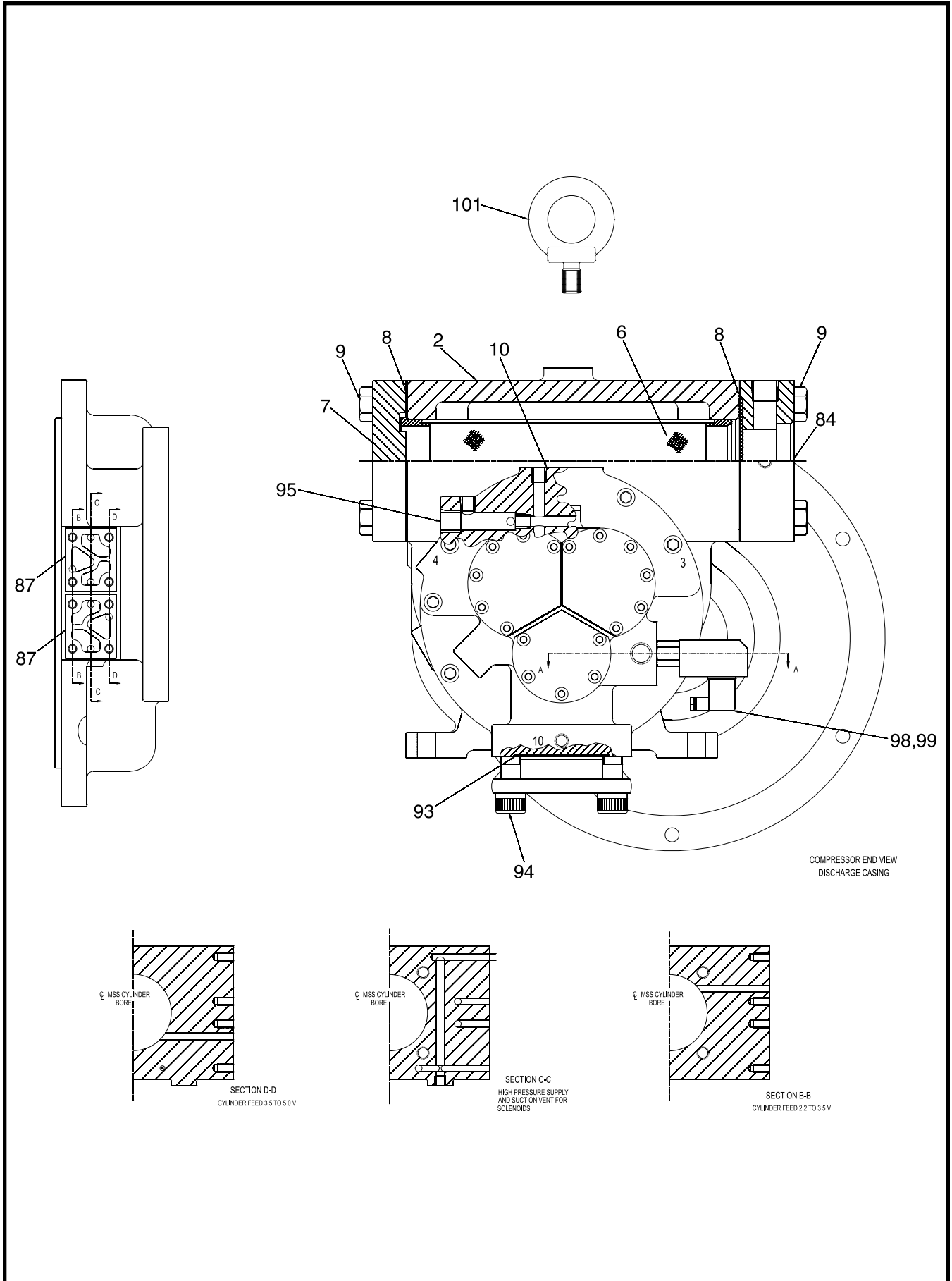


Figure 4c. XJF 95 Screw Compressor, Typical.



**Figure 4d. XJF 95 Screw Compressor, Typical.**

FIG. & INDEX	ITEM NUMBER	DESCRIPTION	QTY.	REV.
4-	534E0452	XJF 95S/M/L Screw Compressor, New	Ref.	U
	534E0452G01	XJF 95S Screw Compressor	Ref.	
	534E0452G02	XJF 95M Screw Compressor	Ref.	
	534E0452G03	XJF 95L Screw Compressor	Ref.	
-1	534A0195G01	Rotor Pair, XJF 95	1	
-2	534D0860G01	Casing, Rotor*, XJF 95	1	
	534C0194H07	Plug, Pipe, 1/4-18 NPTF w/.136" orifice	1	
-3	534D0342C01	Valve, Slide, XJF 95	1	
-4	534B0930H01	Support, Spring	1	
-5	534A0835H01	Spring, Unloader	2	
-6	534C0428G01	Assembly, Suction Strainer, XJF 95	1	
-7	534D0349C01	Flange, Blank, XJF 95	1	
-8	959A0066H12	Gasket, Flange, XJF 95 ■	2	
-9	111Q0740840	Capscrew, Socket Head, (M20x2.5) x 90mm, XJF 95 Suction	4	
	111Q0740748	Capscrew, Socket Head, (M20x2.5) x 65mm, XJF 95 Blank	4	
-10	534E0446C01	Casing, Discharge, XJF 95	1	
-11	980A0012B99	O-ring, XJF 95 ■	1	
-12	534D1518H01	Piston, Slide Valve, XJF 95 <sup>(1)</sup> ★	1	
-13	980A0012A86	O-ring, XJF 95 <sup>(1)</sup> ■ ★	2	
-14	534C0187H10	Glyd Ring®, XJF 95 <sup>(1)</sup> ■ ★	2	
-15	534B0079H03	Slydring®, XJF 95 <sup>(1)</sup> ■ ★	1	
-16	534A0343H01	Capscrew, Socket Head, (M10x1.5) x 120mm <sup>(1)</sup>	1	
-17	534A0341H01	Washer, Check Valve Retainer <sup>(1)</sup>	1	
-18	534A0173H01	Valve, Internal Check <sup>(1)</sup>	1	
-19	980A0012B35	O-ring <sup>(1)</sup> ■ ★	1	
-20	534C0431H01	Retainer, Check Valve <sup>(1)</sup>	1	
-21	980A0012A89	O-ring, XJF 95 <sup>(1)</sup> ■ ★	1	
-22	534C0424C01	Cover, Cylinder, XJF 95	1	
-23	901A0085H19	Capscrew, Socket Head, (M8x1.25) x 30mm, XJF 95	25	
-24	980A0012A85	O-ring, XJF 95 ■	2	
-25	534A0038H06	Pin, Spring, .125 x .375"	4	
-26	534C0446C01	Seal, Gas, XJF 95 ◆	2	
-27	534B0004H18	Bearing, Roller, XJF 95 ◆	2	
-28	534C0478H11	Bearing, Angular Contact Ball, XJF 95 ◆◆	6	
-29	534B0125H12	Lockwasher, XJF 95 ◆	2	
-30	534A0035H12	Locknut, XJF 95 ◆	2	
-31	534C0474C01	Sleeve, Female Distance, XJF 95	1	
-32	534C0479H11	Spring, Wave, XJF 95 ◆◆	1	
-33	980A0012A97	O-ring, XJF 95 ■	2	
-34	534A0038H02	Pin, Spring	2	
-35	534C0419C02	Cover, Female Outlet Bore, XJF 95	1	
-36	534B0483H01	Spacer, Bearing, XJF 95	1	
-37	-	not used		
-38	534C0473C01	Sleeve, Male Distance, XJF 95	1	
-39	534A0219H01	Spring, Compression, XJF 95	7	
-40	534C0419C01	Cover, Male Outlet Bore, XJF 95	1	
-41	534B0193H01	Pin, Dowel, Special	1	
-42	901A0085H10	Capscrew, Socket Head, (M12x1.75) x 60, XJF 95	6	
-43	980A0012H06	O-ring, XJF 95 ■ ▲	1	
-44	534A0157G01	Set, Gear, 66:31 Ratio, XJF 95S ▲	1	
	534A0157G03	Set, Gear, 55:42 Ratio, XJF 95M ▲	1	
	534A0157G02	Set, Gear, 60:37 Ratio, XJF 95L ▲	1	
-45	534B0174H02	Ring, Retaining, XJF 95	2	
-46	534B0004H13	Bearing, Roller, XJF 95 ◆	2	
-47	534C0426H01	Bushing, Male Inlet, XJF 95 ◆	1	
-48	-	not used		
-49	-	not used		
-50	534C0426H01	Bushing, Female Inlet, XJF 95 ◆	1	
-51	534D0344H01	Piston, Slide Stop, XJF 95	1	
-52	534C0415C01	Stop, Slide, XJF 95	1	

\* Rotor Casing and Gear Cover is ordered as a set.

FIG. & INDEX	ITEM NUMBER	DESCRIPTION	QTY.	REV.
-53	534B0101H23	Bearing, Four-Point Angular Contact, XJF 95 ▲	1	
-54	534B0004H21	Bearing, Roller, XJF 95 ▲	1	
-55	534B0014H17	Ring, Retaining, XJF 95 ▲	1	
-56	534A0230H01	Spacer, Bearing, XJF 95 ▲	1	
-57	534A0167H01	Spacer, Bearing, XJF 95 ▲	1	
-58	534B0174H06	Ring, Retaining, XJF 95 ▲	1	
-59	534B0004H16	Bearing, Roller, XJF 95 ▲	1	
-60	534D0860G01	Cover, Gear*, XJF 95	1	
-61	901A0085H09	Capscrew, Socket Head, (M12x1.75) x 45mm, XJF 95	16	
-62	534C0612H01	Jackshaft, XJF 95 ▲	1	
-63	534B0208H01	Key, Jackshaft, XJF 95	1	
-64	534B0182H02	Collar, Clamp, XJF 95 ●	1	
-65	534B0302H01	Ring, Seal Seat Backup, XJF 95 ●	1	
-66	534C0614C01	Housing, Seal, XJF 95	1	
-67	534A0037H12	Pin, Dowel	2	
-68	980A0012B04	O-ring, XJF 95 ●■	1	
-69	534B0731H01	Shaft Seal, XJF 95 ●	1	
-70	534C0423C01	Cover, Slide Stop, XJF 95	1	
-71	980A0012A98	O-ring, XJF 95 ■	1	
-72	980A0012A94	O-ring, XJF 95 ■	1	
-73	534C0187H08	Glyd Ring®, XJF 95 ■	1	
-74	534C1044H01	Piston, Stepper, XJF 95	1	
-75	534E0437C01	Support, Motor, XJF 95	1	
-76	534C1011H01	Plate, Cover, Motor Support, XJF 95	2	
-77	901A0085H04	Capscrew, Socket Head, Cover Plate (M8 x 20mm) XJF 95	12	
	333Q0000738	Washer, Flat, XJF 95	12	
	534A0506H01	Grommet, XJF 95	12	
-78	534B0174H10	Ring, Retaining	1	
-79	980A0012A90	O-ring, XJF 95 ●■	1	
-80	534A0342H01	Strainer ●	1	
-81	534C0486H08	Shim, Female Bearing Installation, XJF 95 ◆	1	
-82	333Q0000703	Shim Pack, XJF 95 (As Required)	2	
-83	333Q0000717	Shim Pack, XJF 95 (As Required)	1	
-84	534C1868H01	Assembly, Suction Flange, 2-1/2", XJF 95	1	
	534C1872H01	Assembly, Suction Flange, 3", XJF 95	1	
-85	951A0115H10	Valve, Solenoid, less coil	2	
-86	950A0293H02	Coil, Solenoid, 120VAC	2	
-87	534C1972H01	Gasket, Solenoid Valve, XJF 95 ■	2	
-88	534B0986H01	Rod, Indicator, XJS 95 (Linear Transmitter)	1	
-89	534A0883H01	Spring, Compression	1	
-90	980A0012K62	O-ring ■	1	
-91	534C1552H01	Transmitter, Linear, w/well	1	
	534C1552H02	Transmitter, Linear, less well	1	
-92	580D0071H24	Flange, Socket Weld, 2-1/2", XJF 95	1	
-93	959A0057H06	Gasket, Flange, XJF 95 ■	1	
-94	111Q0740772	Capscrew, Socket Head, M20 x 75mm	4	
-95	534C0194H08	Plug, Pipe, 1/4-18 NPTF w/.062" orifice, XJF 95	1	
-96	944A0113H01	Elbow, 1/4 ODF x 1/8" MPT	2	
-97	534B0484H01	Tube, Shaft Seal Oil Feed	1	
-98	649A0890H02	Connector, DIN	3	
-99	649A0890H11	Gasket, DIN Connector	3	
-100	534A0932H01	Set, Spherical Washer <sup>(1)</sup>	1	
-101	901A0196H07	Ring, Lifting	1	

(1) See Figure 14 for Slide Valve Piston Replacement Kit.

\* Rotor Casing and Gear Cover ordered as a set.

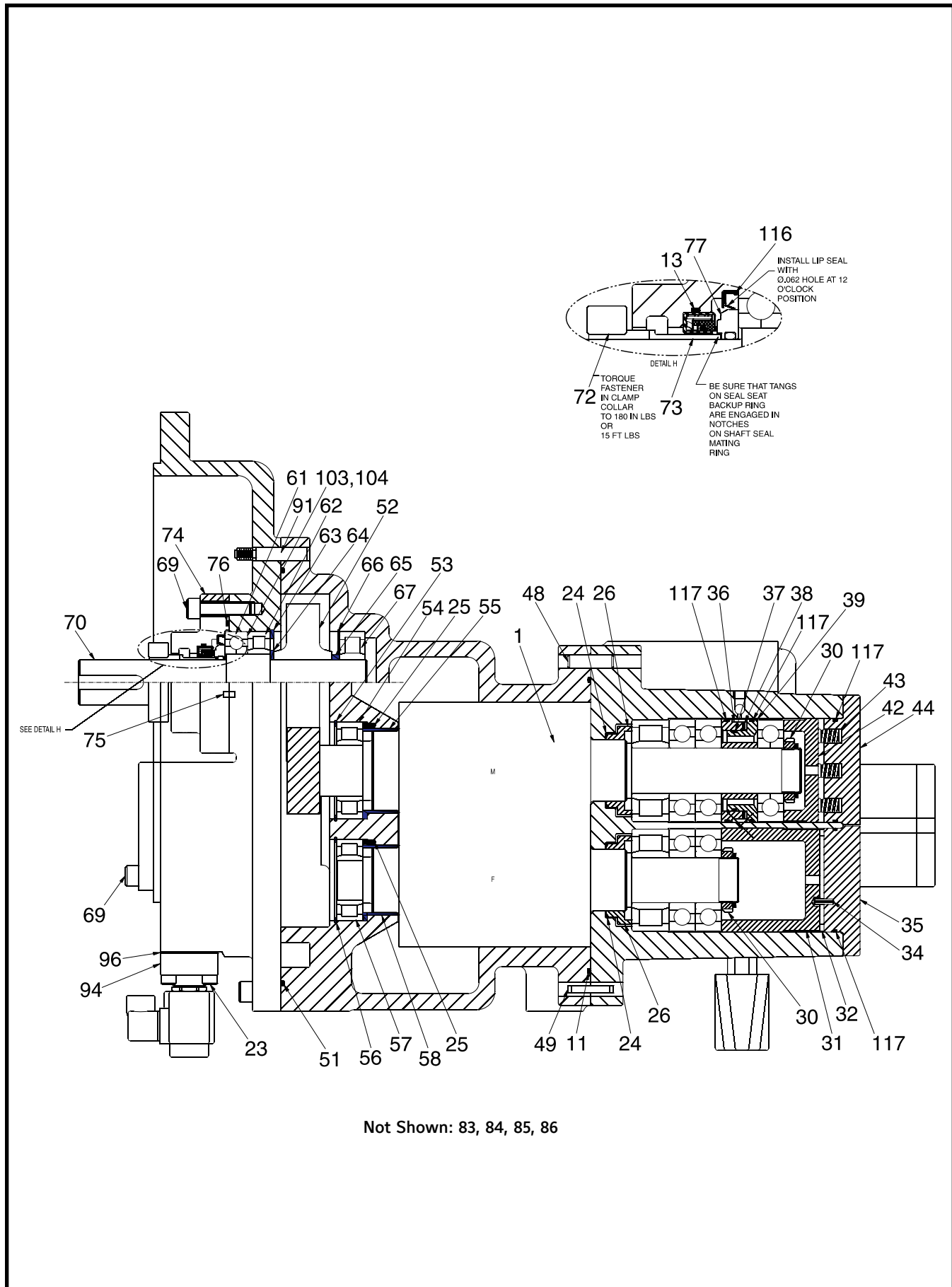
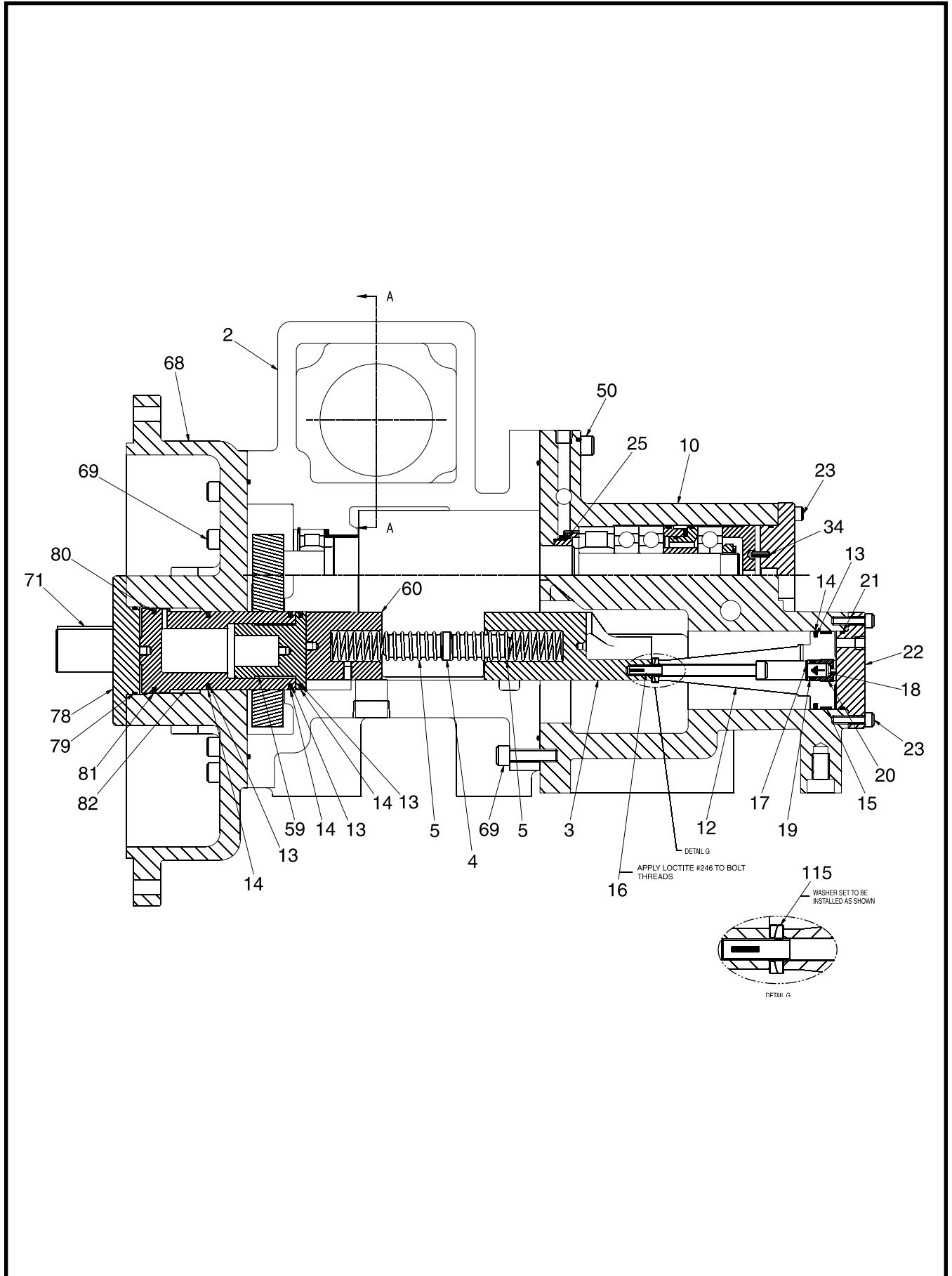


Figure 5a. XJF 120 Screw Compressor, Typical.



**Figure 5b. XJF 120 Screw Compressor, Typical.**

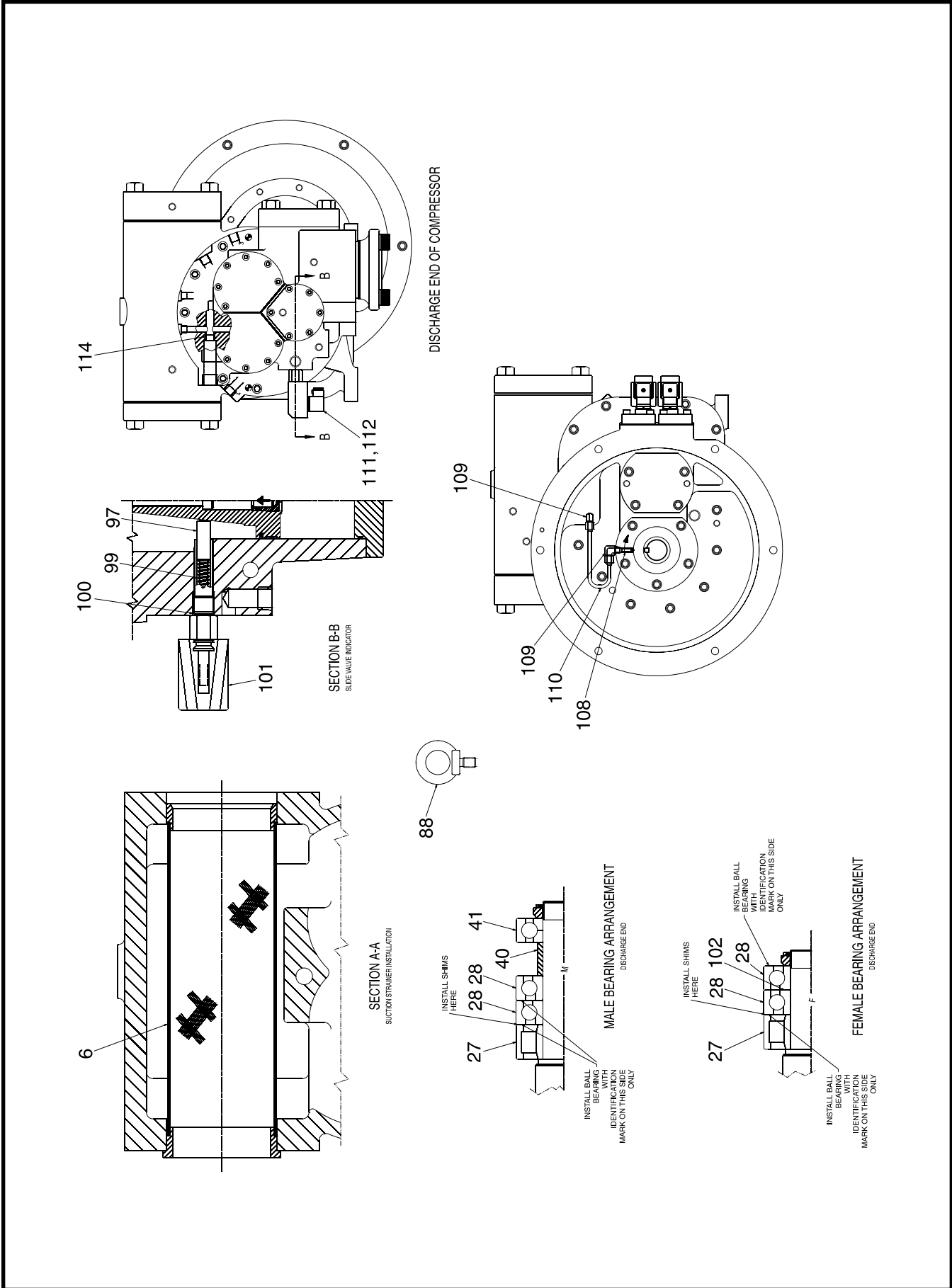
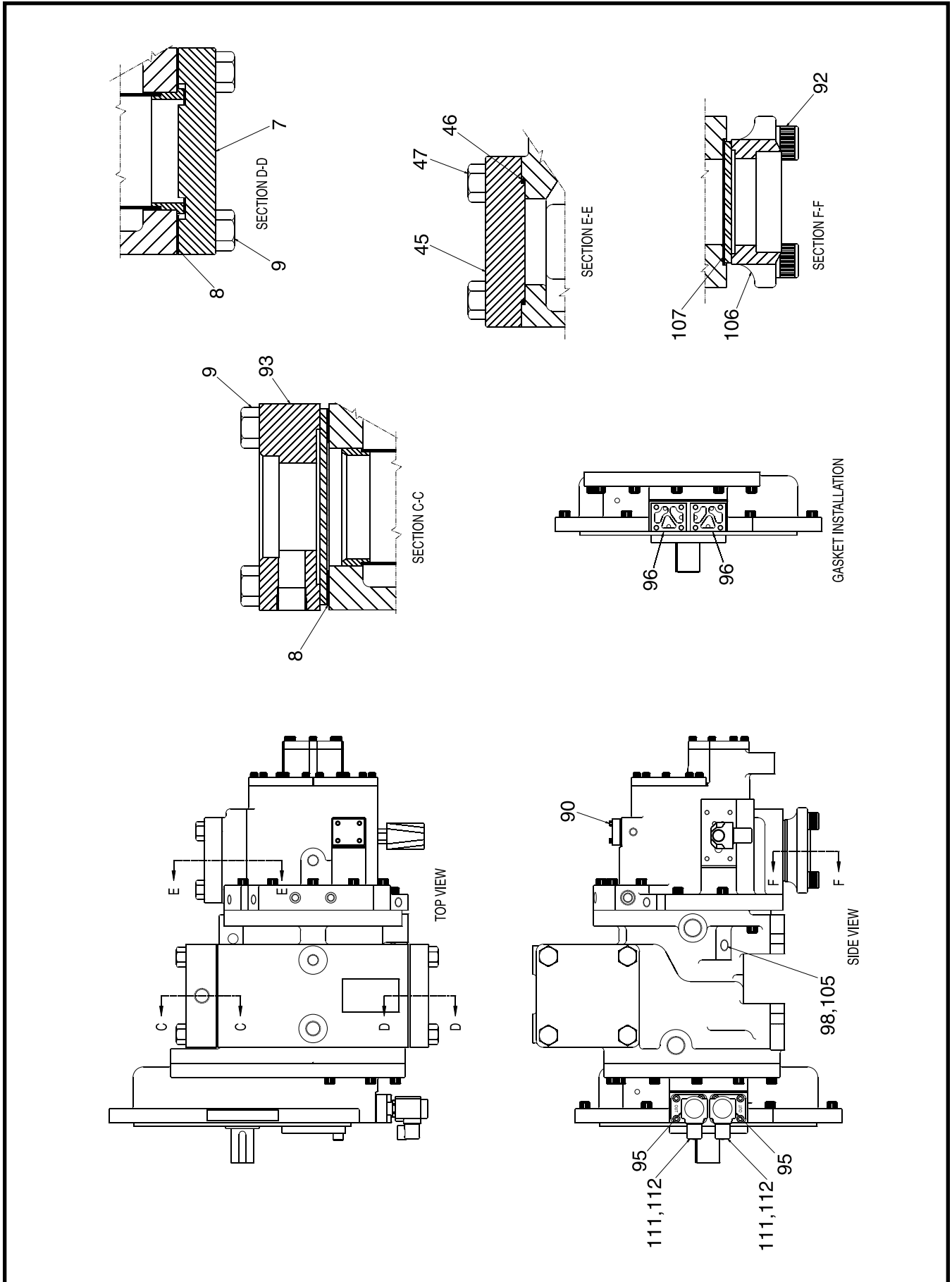


Figure 5c. XJF 120 Screw Compressor, Typical.



**Figure 5d. XJF 120 Screw Compressor, Typical.**

FIG. & INDEX	ITEM NUMBER	DESCRIPTION	QTY.	REV.
5-	534E0305	XJF 120S/M/L Screw Compressor, New	Ref.	AF
	534E0305G01	XJF 120S Screw Compressor	Ref.	
	534E0305G02	XJF 120M Screw Compressor	Ref.	
	534E0305G03	XJF 120L Screw Compressor	Ref.	
-1	534A0658G01	Rotor Pair, XJF 120	1	
-2	534E0143C01	Casing, Rotor*, XJF 120	1	
-3	534D0322C01	Valve, Slide, XJF 120	1	
-4	534B0930H01	Support, Spring	1	
-5	534A0835H01	Spring, Unloader	2	
-6	534C0408G01	Assembly, Suction Strainer, XJF 120	1	
-7	534D0341C01	Flange, Blank, XJF 120	1	
-8	959A0054H10	Gasket, Flange, XJF 120 ■	2	
-9	901A0192H07	Capscrew, Socket Head, (M22x2.5) x 80mm, XJF 120 Suction	4	
	111Q0740781	Capscrew, Socket Head, (M22x2.5) x 60mm, XJF 120 Blank	4	
-10	534E0307C01	Casing, Discharge, XJF 120	1	
-11	980A0012H05	O-ring, XJF 120 ■	1	
-12	534D1516H01	Piston, Slide Valve, XJF 120 <sup>(1)</sup> ★	1	
-13	980A0012A94	O-ring, XJF 120 <sup>(1)</sup> ■ ★	5	
-14	534C0187H08	Glyd Ring <sup>®</sup> , XJF 120 <sup>(1)</sup> ■ ★	4	
-15	534B0079H04	Slydring <sup>®</sup> , XJF 120 <sup>(1)</sup> ■ ★	1	
-16	534A0343H01	Capscrew, Socket Head, (M10x1.5) x 120mm <sup>(1)</sup>	1	
-17	534A0341H01	Washer, Check Valve Retainer <sup>(1)</sup>	1	
-18	534A0173H01	Valve, Internal Check <sup>(1)</sup>	1	
-19	980A0012B35	O-ring <sup>(1)</sup> ■ ★	1	
-20	534C0431H01	Retainer, Check Valve <sup>(1)</sup>	1	
-21	980A0012A97	O-ring, XJF 120 <sup>(1)</sup> ■ ★	1	
-22	534C0381C01	Cover, Cylinder, XJF 120	1	
-23	901A0085H19	Capscrew, Socket Head, (M8x1.25) x 30mm, XJF 120	26	
-24	980A0012A93	O-ring, XJF 120 ■	2	
-25	534A0038H06	Pin, Spring, .125 x .375"	4	
-26	534C0445C01	Seal, Gas, XJF 120 ◆	2	
-27	534B0004H17	Bearing, Roller, XJF 120 ◆	2	
-28	534C0478H10	Bearing, Angular Contact Ball, XJF 120 ◆◆	4	
-29	-	not used		
-30	534B0909H01	Locknut w/nylon insert, XJF 120 ◆	2	
-31	534C0472C01	Sleeve, Female Distance, XJF 120	1	
-32	534C0479H12	Spring, Wave, XJF 120 ◆◆	1	
-33	-	not used		
-34	534A0038H02	Pin, Spring	2	
-35	534C0378C02	Cover, Female Outlet Bore, XJF 120	1	
-36	534C0481H01	Sleeve, Balance Piston, XJF 120	1	
-37	980A0012A95	O-ring, XJF 120 ■	1	
-38	534C0479H03	Spring, Wave, XJF 120	2	
-39	534C0480H01	Piston, Balance, XJF 120	1	
-40	534B0233H01	Spacer, Bearing, XJF 120	1	
-41	534B0101H07	Bearing, Four-Point Contact Ball, XJF 120 ◆	1	
-42	534C0471C01	Sleeve, Male Distance, XJF 120	1	
-43	534A0219H01	Spring, Compression, XJF 120	9	
-44	534C0378C01	Cover, Male Outlet Bore, XJF 120	1	
-45	534C0703C01	Flange, Discharge Blank, XJF 120	1	
-46	980A0012B74	O-ring, XJF 120 ■	1	
-47	111Q0740792	Capscrew, Hex Head, (M20x2.5) x 60mm, XJF 120	4	
-48	534B0149H02	Pin, Dowel, XJF 120	1	
-49	534B0193H01	Pin, Dowel, XJF 120	1	
-50	111Q0740838	Capscrew, Socket Head, (M12x1.75) x 65, XJF 120	5	
-51	980A0012H10	O-ring, XJF 120 ■	1	
-52	534A0147G01	Set, Gear, 66:31 Ratio, XJF 120S ▲	1	
	534A0147G03	Set, Gear, 55:42 Ratio, XJF 120M ▲	1	
	534A0147G02	Set, Gear, 60:37 Ratio, XJF 120L ▲	1	
-53	534B0174H03	Ring, Retaining, XJF 120	1	
-54	534B0004H15	Bearing, Roller, XJF 120 ◆	1	
-55	534C0377H01	Bushing, Male Inlet, XJF 120 ◆	1	
-56	534B0174H02	Ring, Retaining	1	
-57	534B0004H13	Bearing, Roller ◆	1	

\* Rotor Casing and Gear Cover is ordered as a set.

FIG. & INDEX	ITEM NUMBER	DESCRIPTION	QTY.	REV.
-58	534C0373H01	Bushing, Female Inlet, XJF 120 ◆	1	
-59	534D0326H01	Piston, Slide Stop, XJF 120	1	
-60	534D0324C01	Stop, Slide, XJF 120	1	
-61	534B0101H24	Bearing, Four-Point Angular Contact, XJF 120 ▲	1	
-62	534B0004H22	Bearing, Roller, XJF 120 ▲	1	
-63	534B0014H18	Ring, Retaining, XJF 120 ▲	1	
-64	534A0231H01	Spacer, Bearing, XJF 120 ▲	1	
-65	534A0145H01	Spacer, Bearing, XJF 120 ▲	1	
-66	534B0174H04	Ring, Retaining, XJF 120 ▲	1	
-67	534B0004H14	Bearing, Roller, XJF 120 ▲	1	
-68	534E0272C01	Cover, Gear*, XJF 120	1	
-69	111Q0740739	Capscrew, Socket Head, (M12x1.75) x 45mm, XJF 120	31	
-70	534C0611H01	Jackshaft, XJF 120 ▲	1	
-71	534B0199H01	Key, Jackshaft, XJF 120	1	
-72	534B0182H06	Collar, Clamp, XJF 120 ●	1	
-73	534B2010H01	Ring, Seal Seat Backup, XJF 120 ●	1	
-74	534D1689C01	Housing, Seal, XJF 120	1	
-75	534A0037H12	Pin, Dowel	2	
-76	980A0012B72	O-ring, XJF 120 ●■	1	
-77	534C2011H01	Shaft Seal, XJF 120 ●	1	
-78	534C0661C01	Cover, Slide Stop, XJF 120	1	
-79	980A0012B02	O-ring, XJF 120 ■	1	
-80	980A0012A98	O-ring, XJF 120 ■	1	
-81	534C0187H09	Glyd Ring®, XJF 120 ■	1	
-82	534D0325C01	Piston, Stepper, XJF 120	1	
-83	534E0273C01	Support, Motor, XJF 120	1	
-84	534C0660H01	Plate, Cover, Motor Support, XJF 120	2	
-85	534C0709H01	Gasket, Cover Plate, Motor Support, XJF 120	2	
-86	111Q0740740	Capscrew, Socket Head, Cover Plate, M12 x 30mm, XJF 120	12	
-87	534B0174H10	Ring, Retaining	1	
-88	901A0196H07	Ring, Lifting	1	
-89	534A0342H01	Strainer ●	1	
-90	999Q0740846	Capscrew, Socket Head, (M5x0.8) x 25mm	4	
-91	534B0274H01	Pin, Dowel, Threaded Taper	2	
-92	111Q0740741	Capscrew, Socket Head, (M20x2.5) x 60mm	4	
-93	535C1870H01	Assembly, Suction Flange, 3", XJF 120S	1	
	535C1874H01	Assembly, Suction Flange, 4", XJF 120S,M,L	1	
-94	951A0115H10	Valve, Solenoid, less coil	2	
-95	950A0293H02	Coil, Solenoid, 120VAC	2	
-96	534C1972H01	Gasket, Solenoid Valve, XJF 120 ■	2	
-97	534B1424G01	Rod, Indicator, XJF 120 (Linear Transmitter)	1	
-98	534C0194H02	Plug, Pipe, 1/4-18 NPTF w/.218" orifice, XJF 120S	1	
-99	534A0883H01	Spring, Compression	1	
-100	980A0012K62	O-ring ■	1	
-101	534C1552H01	Transmitter, Linear, w/well	1	
	534C1552H02	Transmitter, Linear, less well	1	
-102	534C0486H04	Shim, Female Bearing Installation, XJF 120 ◆	1	
-103	534C0486H09	Shim, Bearing, .005" Thick	2	
-104	534C0486H10	Shim, Bearing, .010" Thick	1	
-105	534C0194H04	Plug, Pipe, 1/4-18 NPTF w/.196" orifice, XJF 120S,M,L	1	
-106	944A0358H05	Flange, Socket Weld, 3", XJF 120	1	
-107	959A0057H18	Gasket, Flange, XJF 120 ■	1	
-108	534A0342H01	Strainer, Seal Housing	1	
-109	944A0113H01	Elbow, 1/4 ODP x 1/8" MPT	2	
-110	111Q0880452	Tubing, 1/4 OD x .035" Wall	1 ft.	
-111	649A0890H02	Connector, DIN	3	
-112	649A0890H11	Gasket, DIN Connector	3	
-113	111Q0740772	Capscrew, Socket Head, M20 x 75mm	4	
-114	534C0194H16	Plug, Pipe, 3/8-18 NPTF w/.062" orifice, XJF 120	1	
-115	534A0932H01	Set, Spherical Washer <sup>(1)</sup>	1	
-116	534B1121H01	Seal, Lip	1	
-117	980A0012B03	O-ring ■	4	

(1) See Figure 15 for Slide Valve Piston Replacement Kit.

\* Rotor Casing and Gear Cover is ordered as a set.

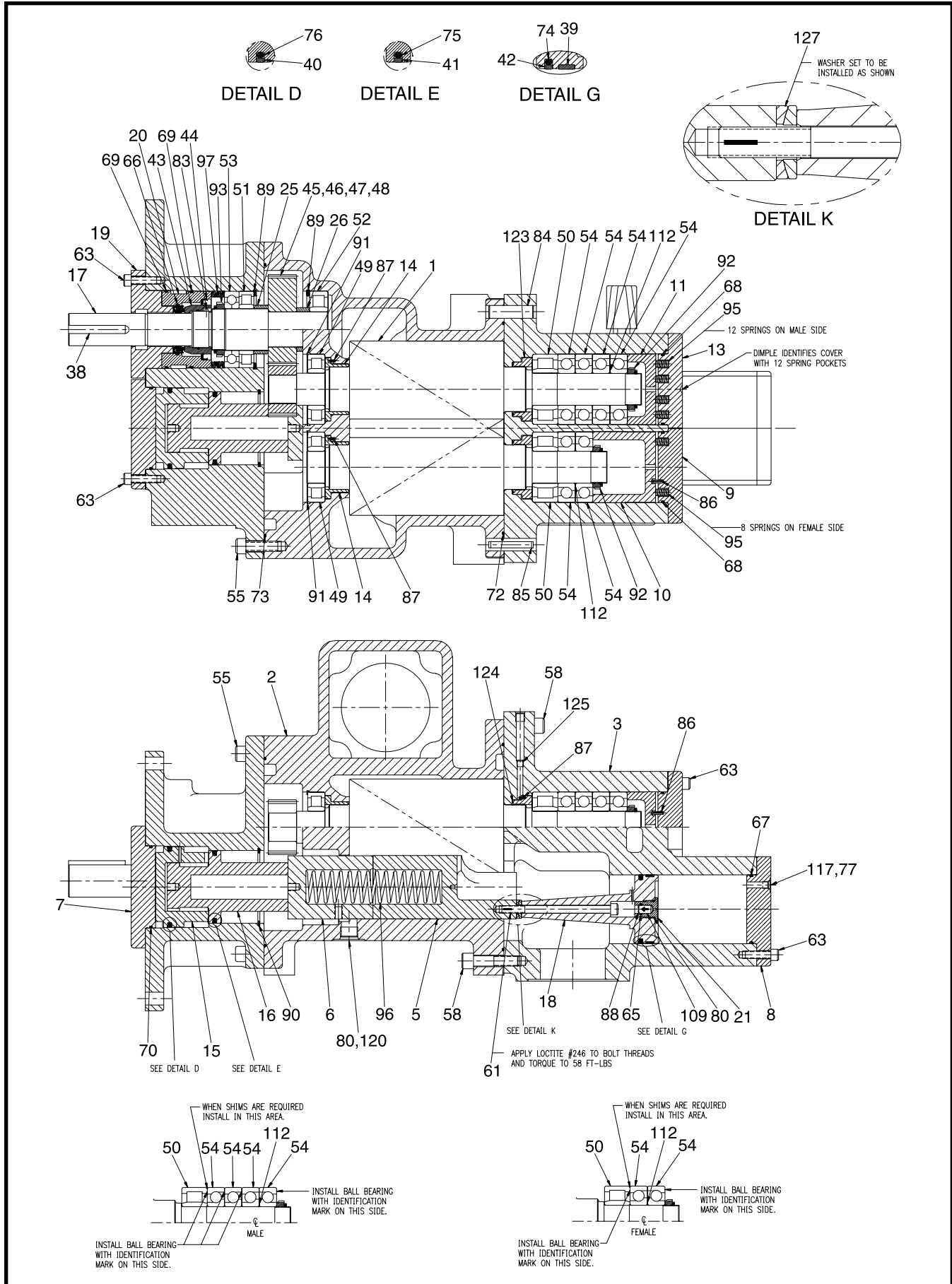
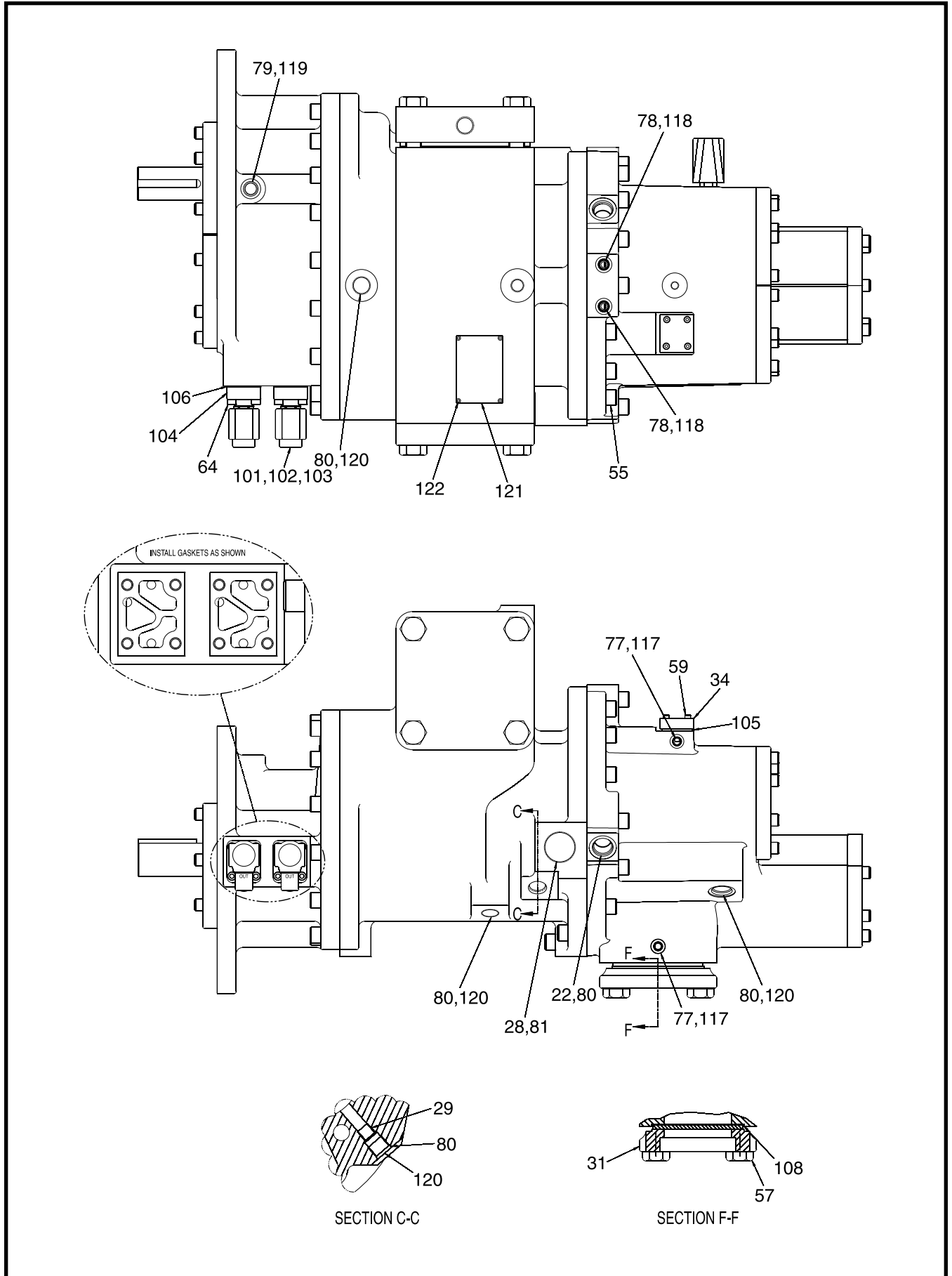


Figure 6a. XJF 151 Screw Compressor, Typical.



**Figure 6b. XJF 151 Screw Compressor, Typical.**

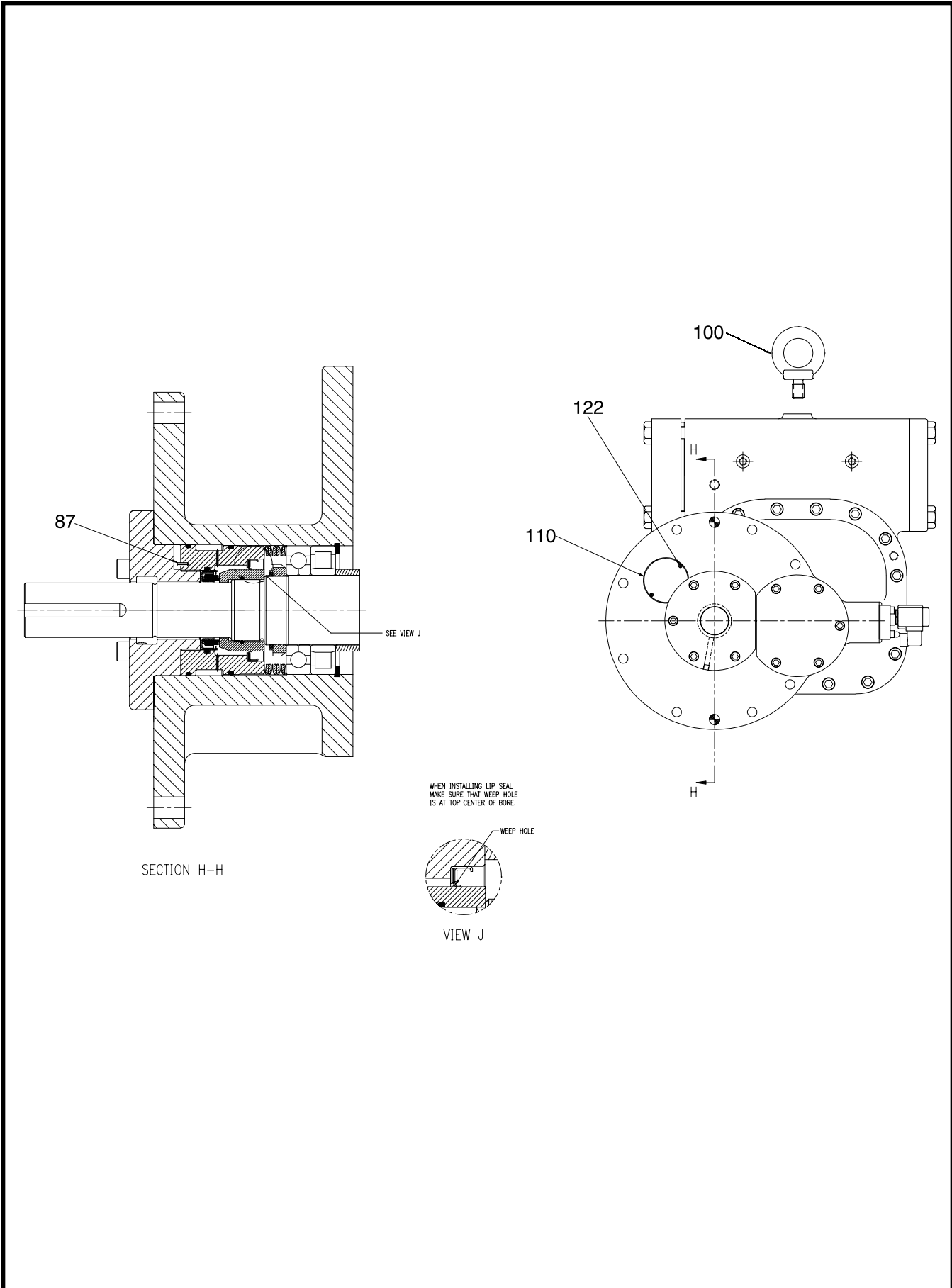


Figure 6c. XJF 151 Screw Compressor, Typical.

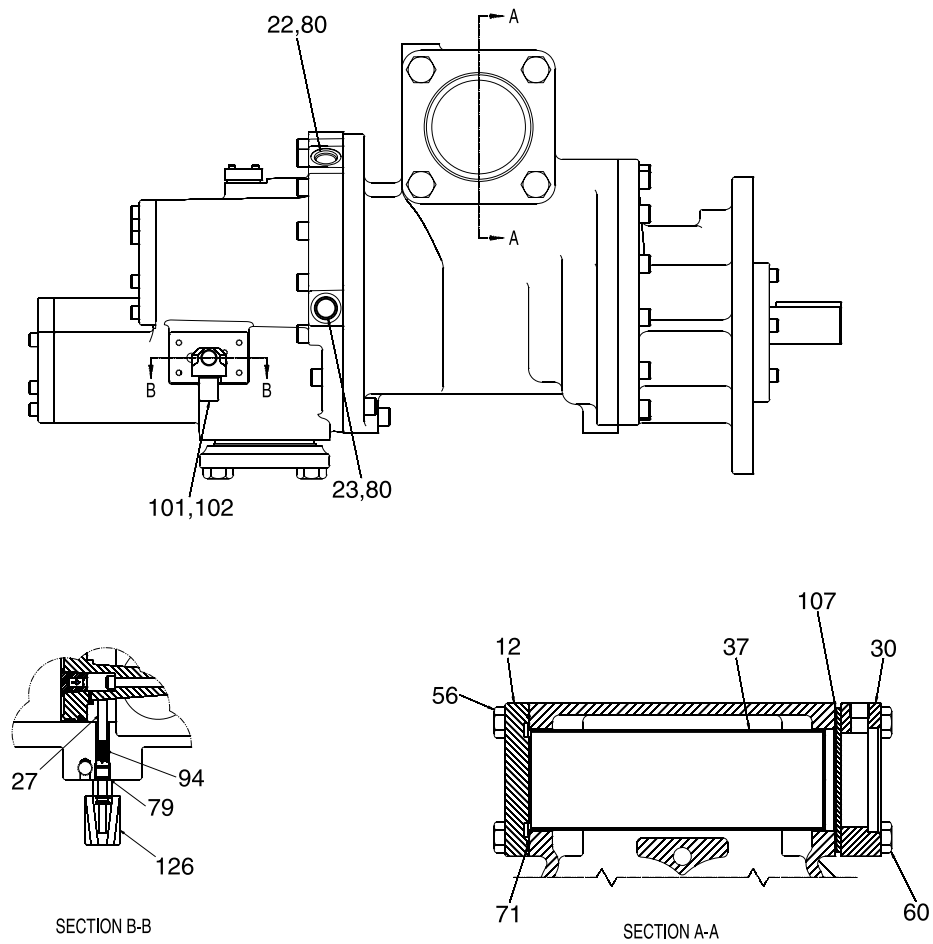
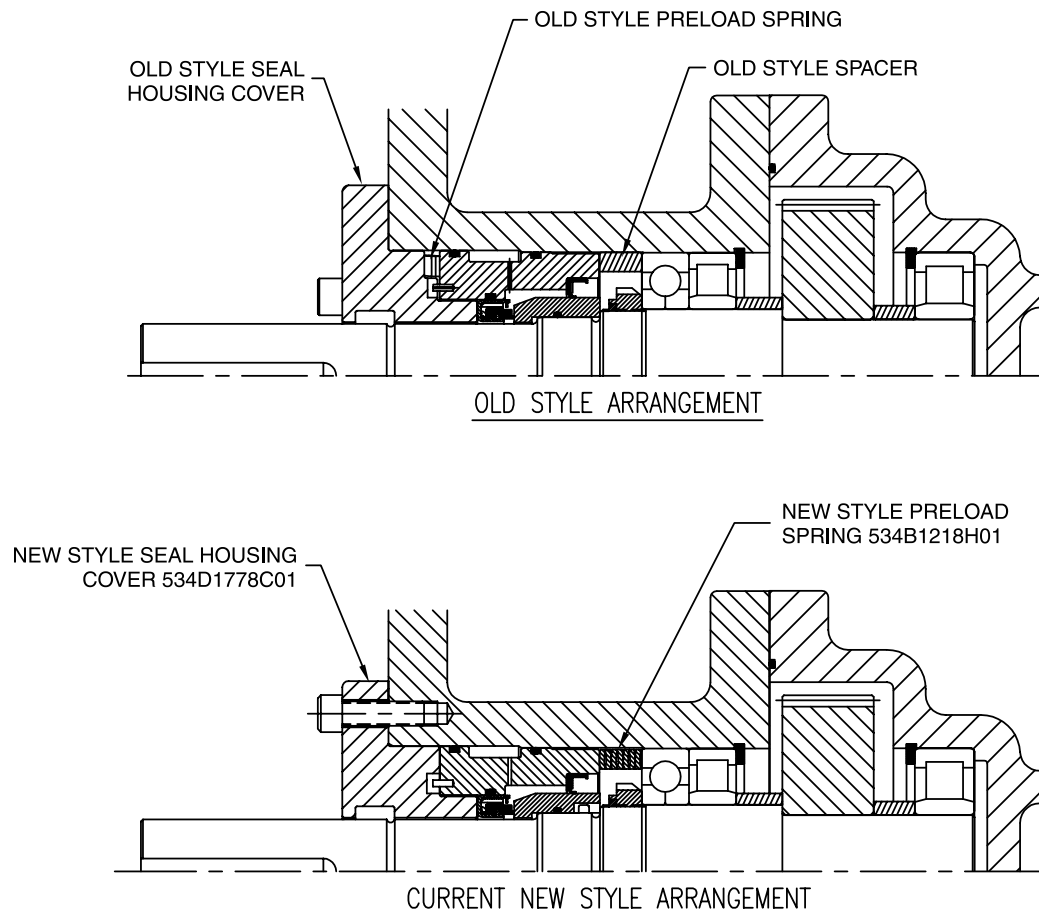


Figure 6d. XJF 151 Screw Compressor, Typical.

## XJF 151 JACKSHAFT BEARING PRELOAD ARRANGEMENT

WHEN REPLACING ANY ONE OF THE THREE PARTS POINTED TO IN THE OLD STYLE ARRANGEMENT  
REPLACE ALL THREE OLD PARTS WITH THE TWO NEW STYLE PARTS SHOWN IN THE NEW STYLE ARRANGEMENT



**Approximate Serial Numbers when new Spring and Seal Housing Cover change was implemented:**

XJF151A0743A  
XJF151M1146M  
XJF151L1534L  
XJF151N1407N

See also Note 1 on page 37.

**Figure 6e. XJF 151 Jackshaft Bearing Preload Arrangement.**

FIG. & INDEX	ITEM NUMBER	DESCRIPTION	QTY.	REV.
6-	534E0533	XJF 151 A,M,L,N Screw Compressor, New	Ref.	AE
	534E0533G01	XJF 151 A Screw Compressor	Ref.	
	534E0533G02	XJF 151 M Screw Compressor	Ref.	
	534E0533G03	XJF 151 L Screw Compressor	Ref.	
	534E0533G04	XJF 151 N Screw Compressor	Ref.	
-1	534A0542G02	Rotor Pair	1	
-2	534D0925G01	Assembly, Rotor Casing	1	
-3	534D0914C01	Casing, Discharge	1	
-4	not used			
-5	534D0916C01	Valve, Slide	1	
-6	534D0917H01	Stop, Slide	1	
-7	534C1057C01	Cover, Slide Stop	1	
-8	534C1058C01	Cover, Cylinder	1	
-9	534C1059C01	Cover, Outlet Bore	1	
-10	534C1060C01	Sleeve, Female Distance	1	
-11	534C1061C01	Sleeve, Male Distance	1	
-12	535C1062C01	Flange, Suction	1	
-13	534C2015C01	Cover, Male Outlet Bore Cover	1	
-14	534C1072H01	Bushing, Inlet ◆	2	
-15	534D0918H01	Piston, Stepper	1	
-16	534D0919H01	Piston, Slide Stop	1	
-17	534D0920H01	Jackshaft ▲	1	
-18	534D1515H01	Piston, Slide Valve <sup>(2)</sup> ★	1	
-19	534D1778C01	Cover, Seal Housing <sup>(1)</sup>	1	
-20	534D0940H01	Housing, Seal	1	
-21	534A0555H01	Retainer, Check Valve <sup>(2)</sup> ★	1	
-22	534A0557H01	Plug, Low Vi Liquid Injection	2	
-23	534A0558H01	Plus, High Vi Liquid Injection	1	
-24	not used			
-25	534A0560H01	Spacer, Outboard Bearing ▲	1	
-26	534A0561H01	Spacer, Inboard Bearing ▲	1	
-27	534B1424G02	Rod, Indicator (Linear Transmitter)	1	
-28	534B0523H01	Plug, Economizer	1	
-29	534C0194H27	Plug, Pipe, 1/2-14 NPTF w/.375" Orifice	1	
-30	535C1875H01	Suction Flange, 5"	1	
-31	944A0358H06	Flange, Socket Weld, 4"	1	
-32	not used			
-33	not used			
-34	534A0312H01	Plate, Closure	1	
-35	not used			
-36	not used			
-37	534B0527H01	Strainer, Suction	1	
-38	534A0662H02	Key, Square, 1/2 x 1/2 x 3-1/2"	1	
-39	534B0079H08	Slydring® ■ ★	1	
-40	534C0187H16	Glyd Ring® ■	1	
-41	534C0187H17	Glyd Ring® ■	1	
-42	534C0187H18	Glyd Ring® ■ ★	1	
-43	534B0732H01	Assembly, Shaft Seal ●	1	
-44	333Q0000910	Seal, Lip ●	1	
-45	534A0564G01	Gear Set, 51:46, XJF 151A ▲	1	
-46	534A0564G02	Gear Set, 55:42, XJF 151M ▲	1	
-47	534A0564G03	Gear Set, 60:37, XJF 151L ▲	1	
-48	534A0564G04	Gear Set, 64:33, XJF 151N ▲	1	
-49	534B0004H28	Bearing, Cylindrical Roller ◆	2	
-50	534B0004H29	Bearing, Cylindrical Roller ◆	2	
-51	534B0004H30	Bearing, Cylindrical Roller ▲	1	
-52	534B0004H31	Bearing, Cylindrical Roller ▲	1	
-53	534B0101H27	Bearing, 4-Point Angular Contact ▲	1	
-54	534C0478H12	Bearing, Angular Contact Ball ◆	6	
-55	901A0223H06	Capscrew, Socket Head, (M16x2.0) x 50mm	21	

FIG. & INDEX	ITEM NUMBER	DESCRIPTION	QTY.	REV.
-56	901A0207H06	Capscrew, Hex Head, (M24x3.0) x 65mm	4	
-57	901A0192H03	Capscrew Hex Head, (M22x2.5) x 60mm	4	
-58	901A0223H10	Capscrew, Socket Head, (M16x2.0) x 70mm	9	
-59	901A0240H09	Capscrew, Socket Head, (M5x0.8) x 25mm	4	
-60	901A0207H10	Capscrew, Hex Head, (M24x3.0) x 90mm	4	
-61	534A0572H01	Capscrew, Socket Head, (M12x1.75) x 170mm <sup>(2)</sup> ★	1	
-62		not used		
-63	901A0085H08	Capscrew, Socket Head, (M12x1.25) x 40mm	25	
-64	901A0085H19	Capscrew, Socket Head, (M8x1.25) x 30mm	8	
-65	980A0012A62	O-ring <sup>(2)</sup> ■ ★	1	
-66	980A0012B64	O-ring ■ ●	1	
-67	980A0012B72	O-ring <sup>(2)</sup> ■ ★	1	
-68	980A0012B73	O-ring ■	2	
-69	980A0012B76	O-ring ■ ●	2	
-70	980A0012B78	O-ring ■	1	
-71	980A0012B91	O-ring ■	1	
-72	980A0012H10	O-ring ■	1	
-73	980A0012H12	O-ring ■ ▲	1	
-74	980A0012H49	O-ring <sup>(2)</sup> ■ ★	1	
-75	980A0012H51	O-ring ■	1	
-76	980A0012H55	O-ring ■	1	
-77	980A0012K58	O-ring ■	3	
-78	980A0012K60	O-ring ■	7	
-79	980A0012K62	O-ring ■	2	
-80	980A0012K66	O-ring <sup>(2)</sup> ■ ★	9	
-81	980A0012K72	O-ring ■	1	
-82		not used		
-83	534A0037H12	Pin, Dowel	1	
-84	534B0149H01	Pin, Dowel	1	
-85	534B0151H01	Pin, Dowel, Special	1	
-86	534A0038H02	Pin, Spring	2	
-87	534A0038H06	Pin, Spring	5	
-88	534A0570H01	Ring, Retaining <sup>(2)</sup> ★	1	
-89	534B0014H09	Ring, Retaining ▲	2	
-90	534B0015H13	Ring, Retaining	1	
-91	534B0174H17	Ring, Retaining	2	
-92	534B0909H02	Locknut ◆	2	
-93	534B0909H04	Locknut ▲	1	
-94	534A0883H01	Spring, Compression	1	
-95	534A0219H01	Spring, Compression	20	
-96	534A0569H01	Spring, Unloader	1	
-97	534B1218H01	Spring, Wave ▲ <sup>(1)</sup>	1	
-98		not used		
-99	111Q0451948	Valve, Charging	1	
-100	901A0196H07	Ring, Lifting	1	
-101	649A0890H02	DIN Connector w/NPTF Connection	3	
-102	649A0890H11	Gasket, Silicone	3	
-103	950A0293H02	Coil, Solenoid Valve, 120VAC	2	
-104	951A0115H10	Valve, Solenoid, less coil	2	
-105	534A0313H01	Gasket	1	
-106	534C1972H01	Gasket, Solenoid Valve ■	2	
-107	959A0054H11	Gasket ■	1	
-108	959A0057H09	Gasket ■	1	
-109	534A0173H01	Valve, Check <sup>(2)</sup> ★	1	
-110	534A0673H01	Plate, Cover	1	
-111		not used		
-112	534A0568H05	Shim ◆	2	
-113		not used		
-114		not used		
-115		not used		
-116	944A0246H01	Bushing	1	

FIG. & INDEX	ITEM NUMBER	DESCRIPTION	QTY.	REV.
-117	944A0228H03	Plug, Straight Thread O-ring, 7/16-20UNF	3	
-118	944A0228H05	Plug, Straight Thread O-ring, 9/18-18UNF	6	
-119	944A0228H06	Plug, Straight Thread O-ring, 3/4-16UNF	1	
-120	944A0228H08	Plug, Straight Thread O-ring, 1 1/16-12UN	5	
-121	991A0036H01	Nameplate	1	
-122	903A0003H08	Pin, Drive	6	
-123	534C1160H01	Seal, Gas ◆	2	
-124	980A0012B02	O-ring ■	2	
-125	534C0194H61	Plug, 1/8-27 NPTF w/.062" Orifice	2	
-126	534C1552H01	Transmitter, Linear, Short Stroke, w/well	1	
	534C1552H02	Transmitter, Linear, Short Stroke, less well	1	
-127	534A0931H01	Washer Set, Spherical <sup>(2)</sup>	1	
<p>(1) For compressors built prior to October 6, 2008 (prior to s/n XJF151A0743A, XJF151M1146M, XJF151L1534L, XJF151N1407N) Retrofit Kit 534B1219G01 can be used when replacing item 97, Wave Spring, or item 19, Seal Housing Cover. Kit also contains O-rings as needed and installation drawing. See Figure 6e.</p> <p>(2) See Figure 16 for Slide Valve Piston Replacement Kit.</p>				

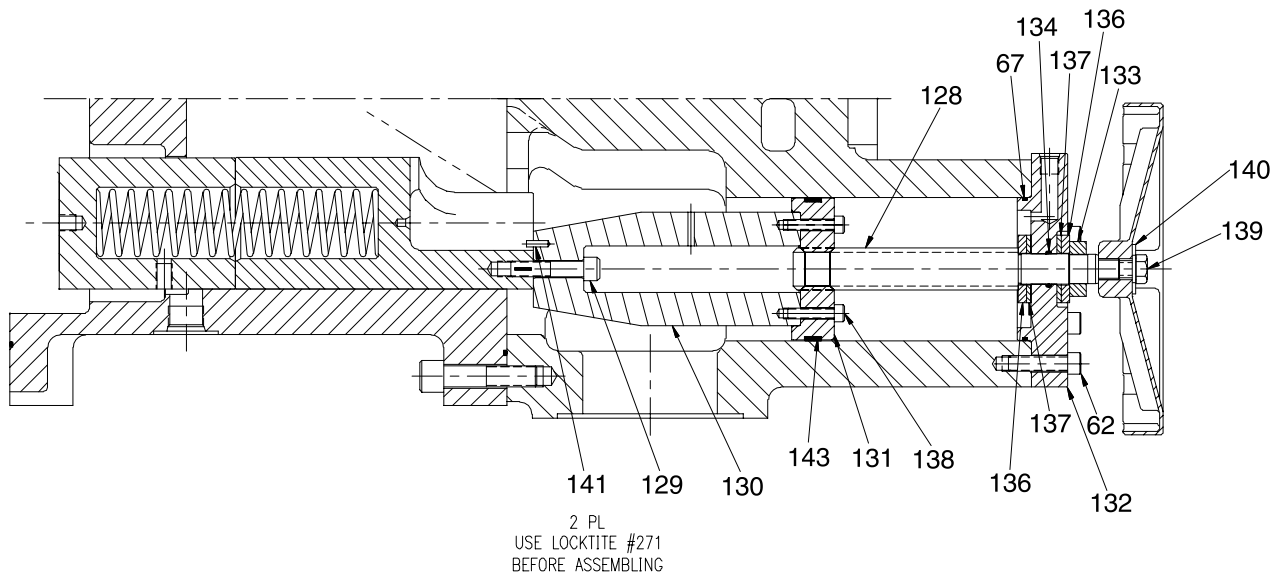


Figure 7a. XJF 151 Slide Valve Stop Assembly, Handwheel, Typical.

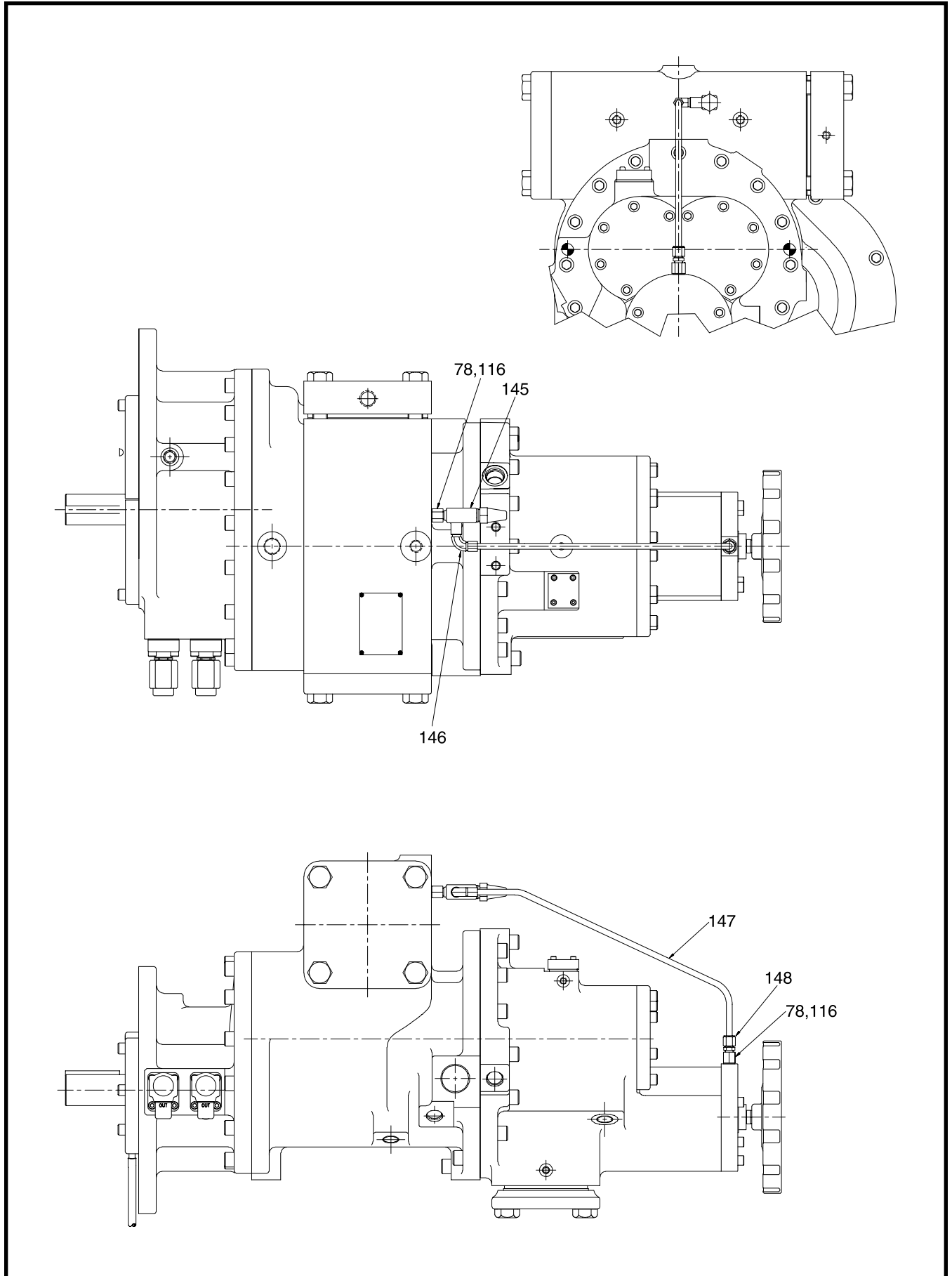


Figure 7b. XJF 151 Bypass Tubing and Shutoff Valve, Handwheel, Typical.

FIG. & INDEX	ITEM NUMBER	DESCRIPTION	QTY.	REV.
7-	534E0559	XJF 151 A,M,L,N Screw Compressor Handwheel, New	Ref.	T
	534E0559G01	XJF 151A, Screw Compressor Handwheel	Ref.	
	534E0559G02	XJF 151M, Screw Compressor Handwheel	Ref.	
	534E0559G03	XJF 151L, Screw Compressor Handwheel	Ref.	
	534E0559G04	XJF 151N, Screw Compressor Handwheel	Ref.	
-62	901A0085H09	Capscrew, Socket Head (M12x1.75) x 45mm	5	
-67	980A0012B06	O-ring ■	1	
-78	980A0012K60	O-ring ■	2	
-116	944A0246H01	Bushing	2	
-128	534B0675H01	Screw, Adjusting	1	
-129	534A0732H01	Capscrew, Socket Head (M12x1.75) x 55mm, w/Fused Locking Patch	1	
-130	534C1279H01	Spindle	1	
-131	534C2143H01	Piston <sup>(1)</sup>	1	
-132	534C2138H01	Cover, Cylinder <sup>(1)</sup>	1	
-133	534B0182H05	Collar, Clamp	1	
-134	980A0012A68	O-ring ■	1	
-136	534A0730H01	Washer, Steel	2	
-137	534A0731H01	Washer, Brass	2	
-138	901A0190H10	Capscrew, Socket Head (M8x1.25) x 35mm	4	
-139	901A0043D03	Capscrew, Socket Head 3/8-16 x .75"	1	
-140	581A0011H07	Washer, Spring 3/8"	1	
-141	534A0037H03	Pin, Dowel, 5m6 x 16mm	2	
-143	534B0079H08	Slydring® ■ ★	1	
-145	950A0292H01	Valve, Stop	1	
-146	944A0113H03	Ell, 90° 3/8 ODT x 1/4 NPT Male	1	
-147	941A0021H02	Tubing, 3/8 304SS	2.2'	
-148	944A0116H05	Connector, Male 3/8 ODT x 1/4 NPTF	1	

(1) Compressors built prior to October 2008 (prior to s/n XJF151A0742AZ, XJF151M1143MZ, XJF151L1531LZ, XJF151N1402NZ) will need Pressure Balance Retrofit Kit 534B1220G01 when replacing item 131, Piston, or item 132, Cylinder Cover. The kit includes piston, cylinder cover, O-rings, Slydring®, external tubing, shutoff valve, fittings, and instructions.

FRICK COMPRESSOR OILS				
Number	1 Gallon	5 Gallon	55 Gallon	330 Gallon
2A	-	111Q0550019	111Q0550020	333Q0001866
3	333Q0001842	111Q0550001	111Q0550010	333Q0001861
4	-	-	111Q0550005	-
5	-	111Q0550008	111Q0550009	-
6	-	333Q0000940	333Q0000941	-
7	-	111Q0550024	111Q0550025	-
9	-	333Q0000850	333Q0000849	333Q0001862
9ST	-	333Q0001905	333Q0001904	-
10	333Q0000741	333Q0000740	333Q0000739	-
11	-	333Q0000852	333Q0000851	333Q0001863
11ST	-	333Q0001907	333Q0001906	-
12	333Q0001140	333Q0001141	333Q0001142	-
12B	-	333Q0001883	333Q0001884	-
13	333Q0000511	333Q0001253	333Q0001254	-
13B	333Q0001939	333Q0001938	333Q0001937	-
14	333Q0001143	333Q0001144	333Q0001145	-
18	-	-	333Q0001892	-
19	-	333Q0001900	333Q0001899	-
20	-	333Q0001903	333Q0001902	-
NG 1	-	-	333Q0001850	-
NG 2	-	-	333Q0001851	-
NG 3	-	-	333Q0001852	-

Oil Analysis Kit - 333Q0001853  
Tube of ODP Motor Grease - 333Q0001860

FRICK BLUE PAINT	
Size Each	Item Number
1 PT.	993A0001H01*
1 GAL.	333Q0000404
2 GAL.	333Q0000724**

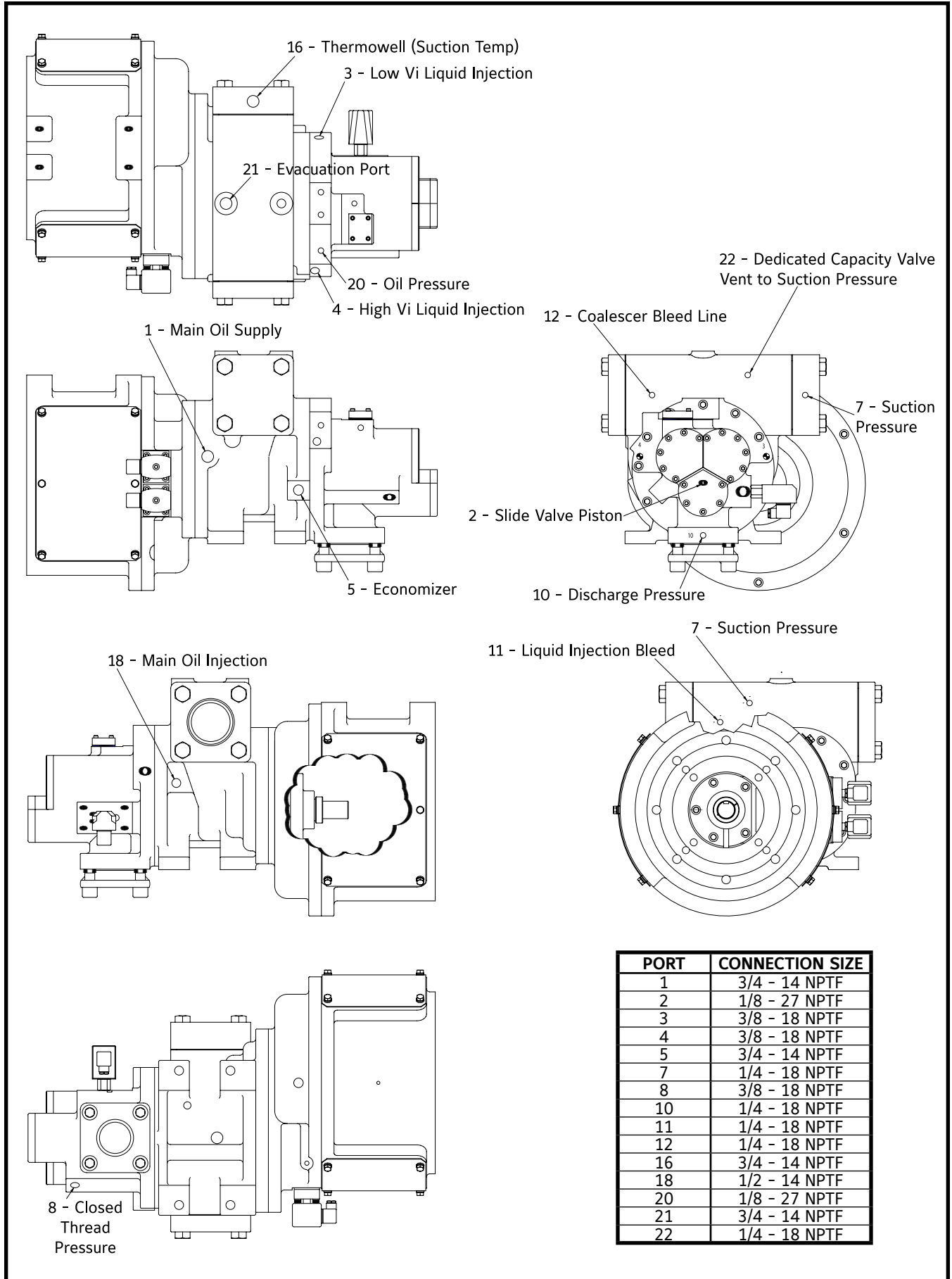
\* Spray Can

\*\* Matte finish epoxy paint. One gallon each of resin and cure that require mixing.

STRAIGHT ADAPTERS / O-RINGS - STRAIGHT THREAD TO NPTF			
Straight Thread Size <sup>(1)</sup>	NPTF Size <sup>(1)</sup>	Frick Part Number	O-ring
7/16-20	1/4-18	944A0246H20	980A0012K58
9/16-18	1/4-18	944A0246H01	980A0012K60
3/4-16	1/4-18	944A0246H02	980A0012K62
3/4-16	3/8-18	944A0246H03	980A0012K62
3/4-16	1/2-14	944A0246H04	980A0012K62
7/8-14	1/4-18	944A0246H05	980A0012K64
7/8-14	3/8-18	944A0246H06	980A0012K64
7/8-14	1/2-14	944A0246H07	980A0012K64
7/8-14	3/4-14	944A0246H08	980A0012K64
1 1/16-12	1/2-14	944A0246H09	980A0012K66
1 1/16-12	3/4-14	944A0246H10	980A0012K66
1 3/16-12	1/2-14	944A0246H11	980A0012K68
1 3/16-12	3/4-14	944A0246H12	980A0012K68
1 5/16-12	1/2-14	944A0246H13	980A0012K69
1 5/16-12	3/4-14	944A0246H14	980A0012K69
1 5/16-12	1-11 1/2	944A0246H15	980A0012K69
1 5/8-12	1-11 1/2	944A0246H16	980A0012K71
1 5/8-12	1 1/4-11 1/2	944A0246H17	980A0012K71
1 7/8-12	1-11 1/2	944A0246H18	980A0012K72
1 7/8-12	1 1/2-11 1/2	944A0246H19	980A0012K72

90° ELBOW ADAPTERS / O-RINGS - STRAIGHT THREAD TO TUBE				
NUMBER	TUBE OD <sup>(1)</sup>	TUBE END UN/UNF-2A <sup>(1)</sup>	PORT THD UN/UNF-2A <sup>(1)</sup>	O-RING
944A0288H01	1/2	3/4-16	3/4-16	980A0012K62
944A0288H02	1/2	3/4-16	9/16-18	980A0012K60
944A0288H03	1/2	3/4-16	7/8-14	980A0012K64
944A0288H04	1/2	3/4-16	1 1/16-12	980A0012K66
944A0288H05	5/8	7/8-14	7/8-14	980A0012K64
944A0288H06	5/8	7/8-14	3/4-16	980A0012K62
944A0288H07	5/8	7/8-14	1 1/16-12	980A0012K66
944A0288H08	3/4	1 1/16-12	1 1/16-12	980A0012K66
944A0288H09	3/4	1 1/16-12	3/4-16	980A0012K62
944A0288H10	3/4	1 1/16-12	7/8-14	980A0012K64
944A0288H11	3/4	1 1/16-12	1 5/16-12	980A0012K69
944A0288H12	7/8	1 3/16-12	1 3/16-12	980A0012K68
944A0288H13	1	1 5/8-12	1 5/16-12	980A0012K69
944A0288H14	1	1 5/16-12	1 1/16-12	980A0012K66
944A0288H15	1 1/4	1 5/8-12	1 5/8-12	980A0012K71
944A0288H16	1 1/2	1 7/8-12	1 7/8-12	980A0012K72

1. In Inches



PORT	CONNECTION SIZE
1	3/4 - 14 NPTF
2	1/8 - 27 NPTF
3	3/8 - 18 NPTF
4	3/8 - 18 NPTF
5	3/4 - 14 NPTF
7	1/4 - 18 NPTF
8	3/8 - 18 NPTF
10	1/4 - 18 NPTF
11	1/4 - 18 NPTF
12	1/4 - 18 NPTF
16	3/4 - 14 NPTF
18	1/2 - 14 NPTF
20	1/8 - 27 NPTF
21	3/4 - 14 NPTF
22	1/4 - 18 NPTF

**Figure 8. XJF 95 Port Locations.**

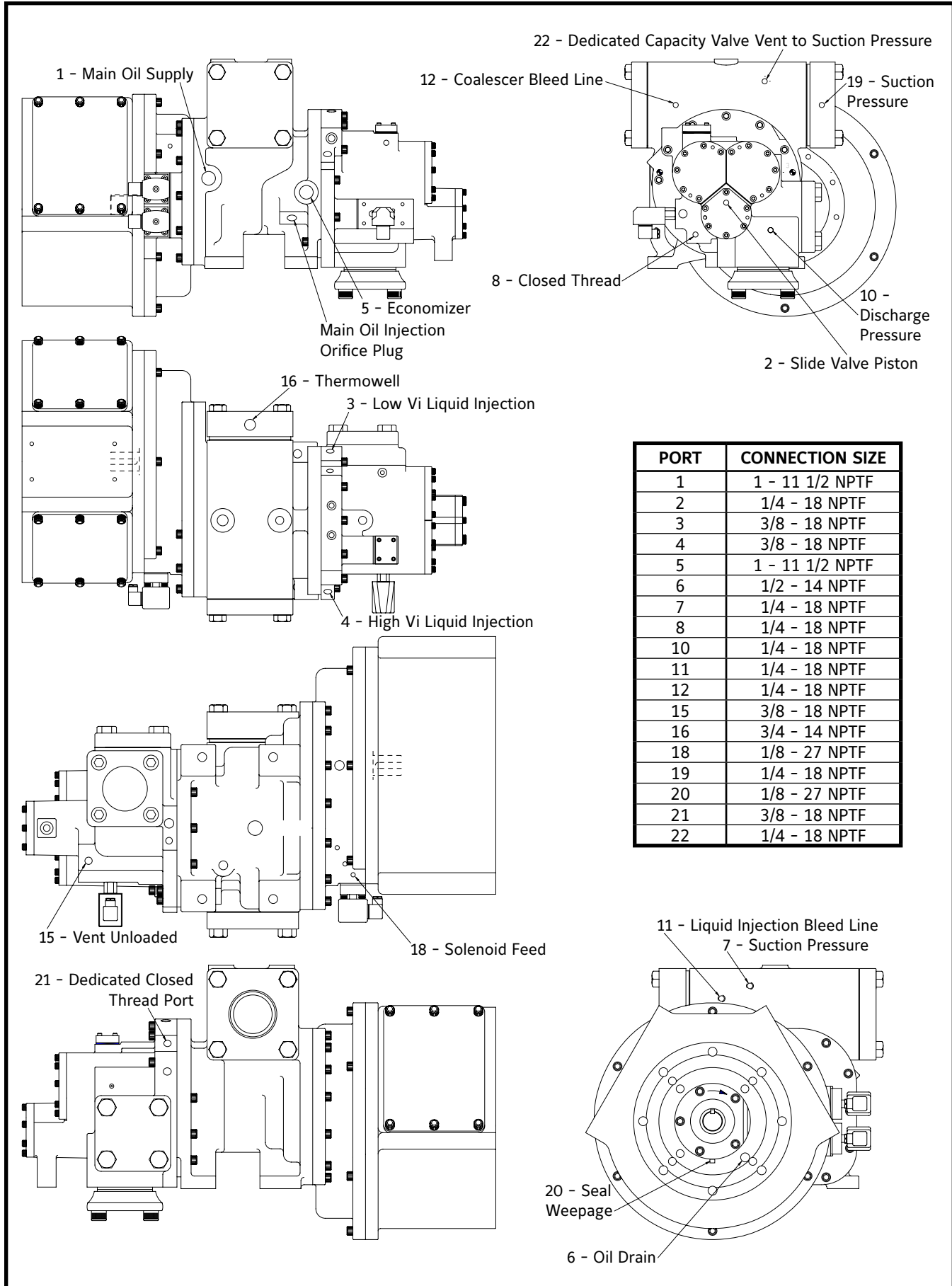
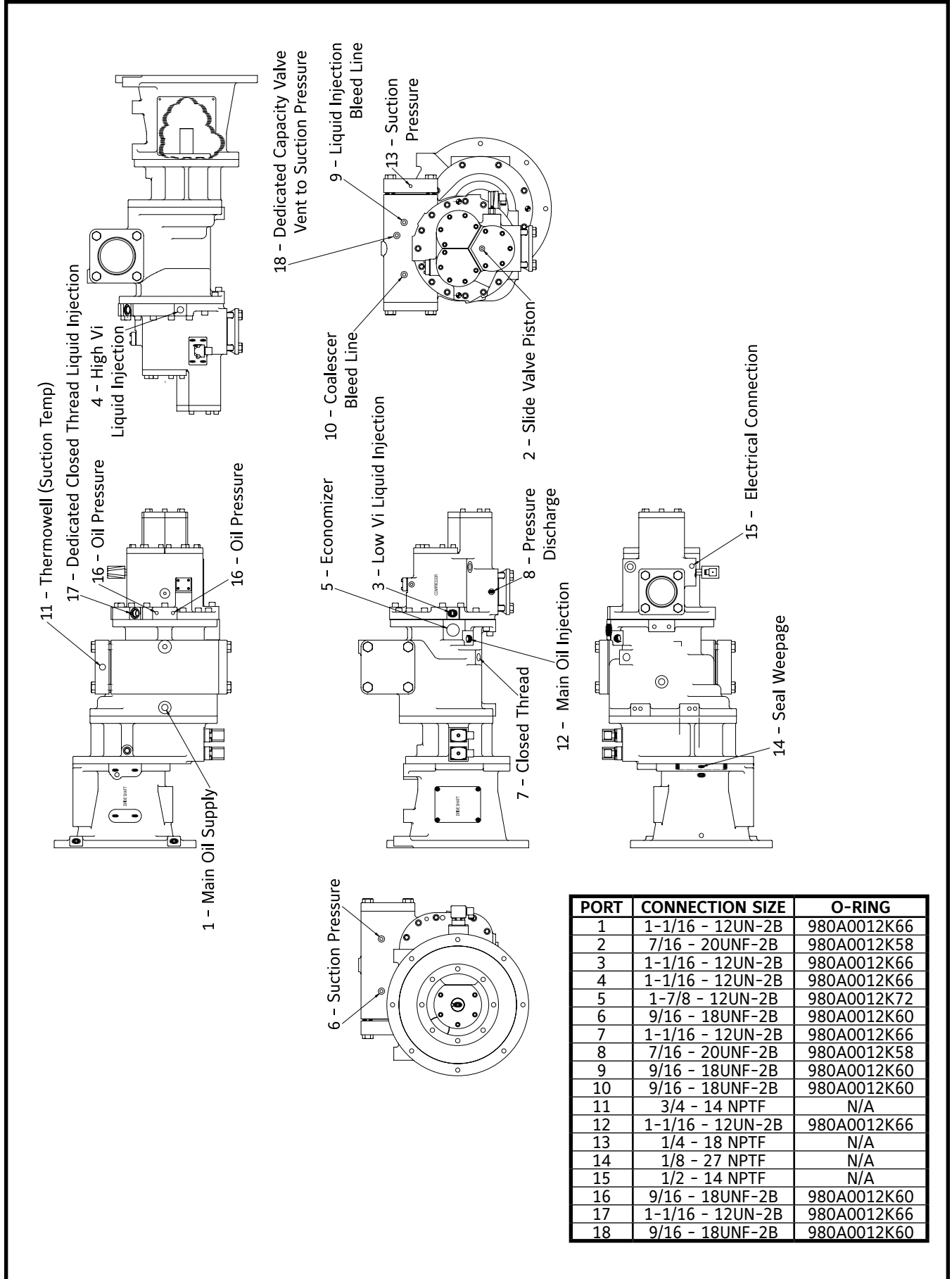


Figure 9. XJF 120 Port Locations.



**Figure 10. XJF 151 Port Locations & O-rings.**

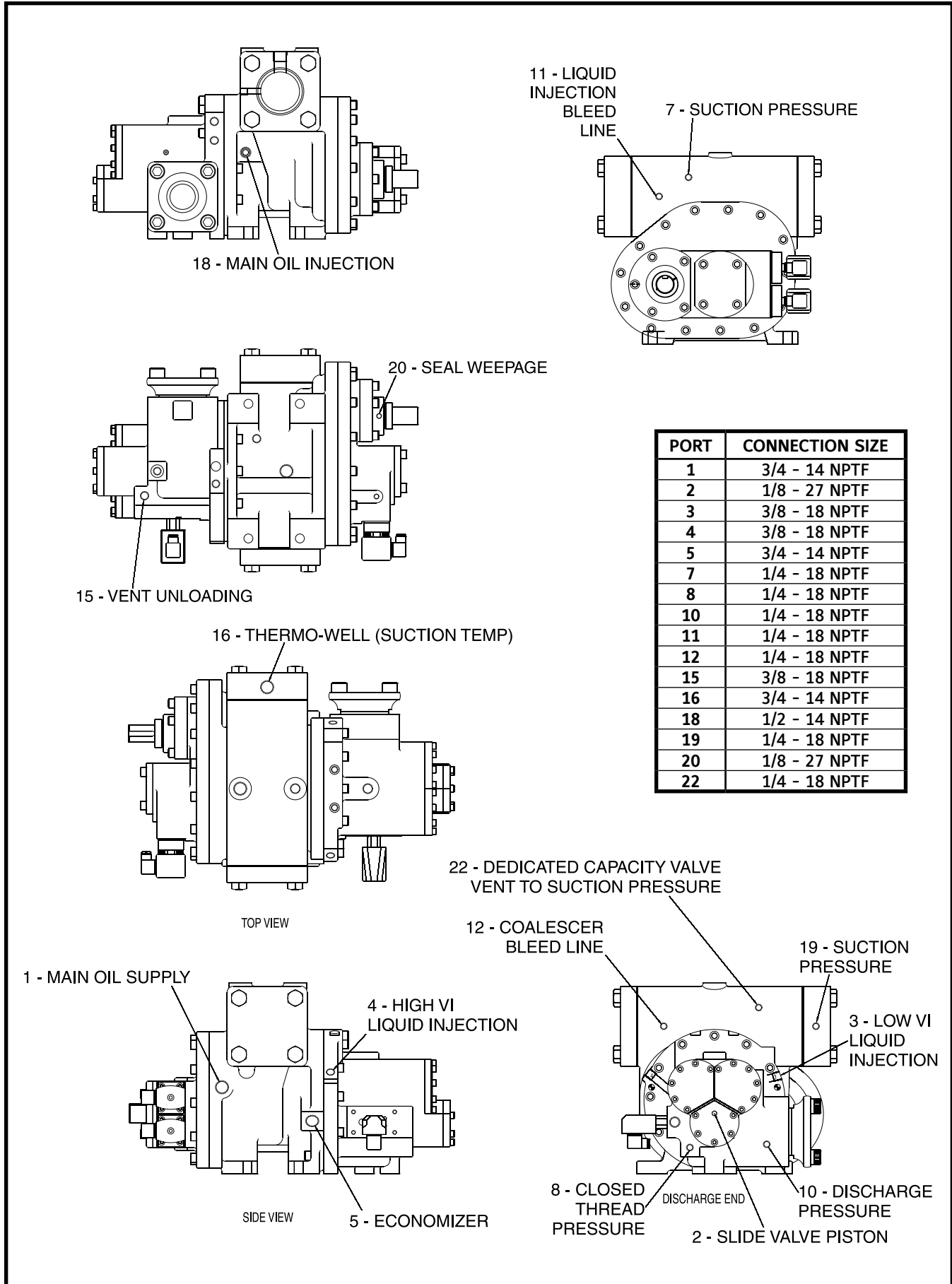
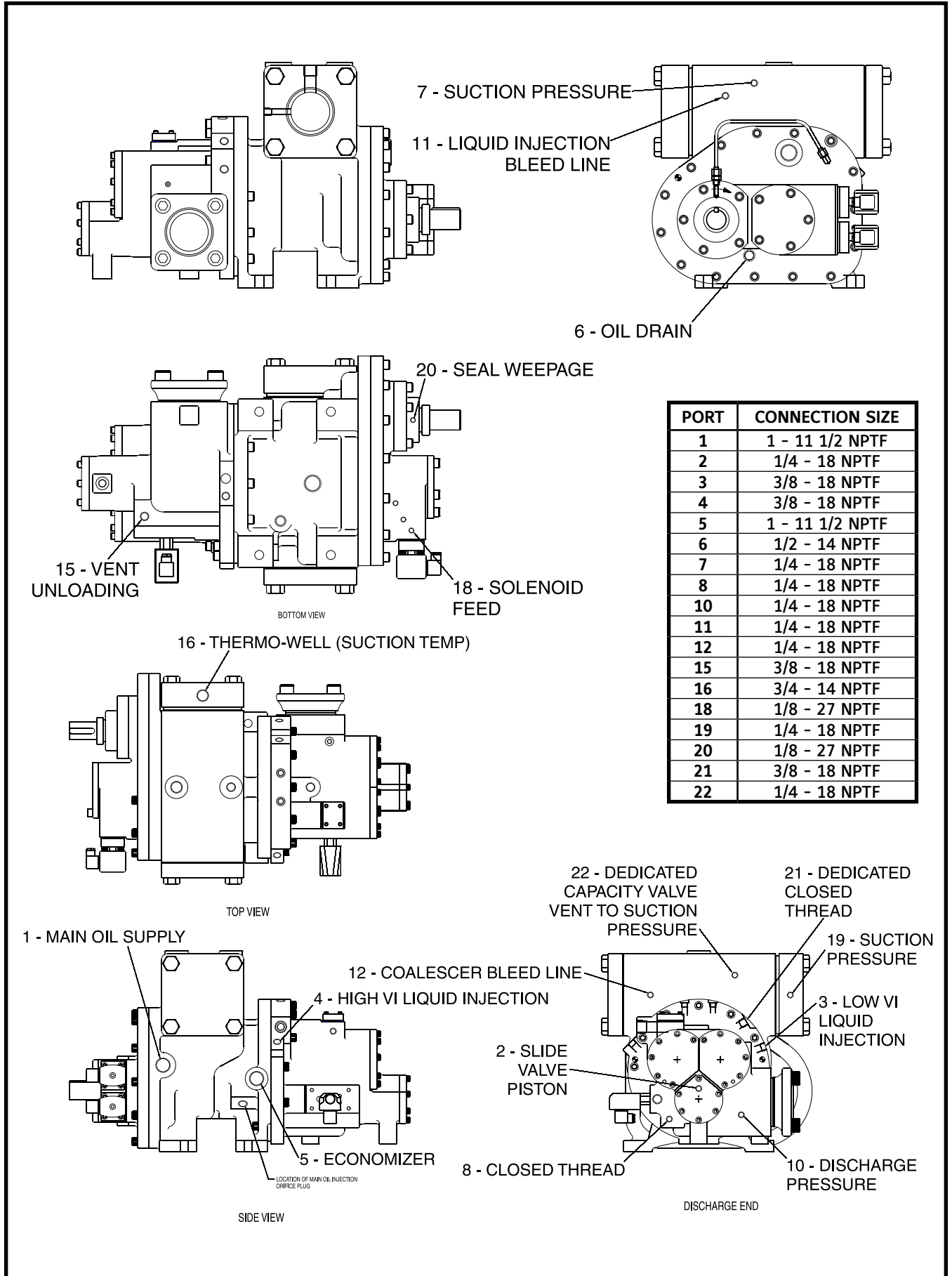


Figure 11. XJS 95 Port Locations.



**Figure 12. XJS 120 Port Locations.**

**SLIDE VALVE POTENTIOMETERS vs LINEAR TRANSMITTERS FOR RXF/RXB UNITS.**

Remanufactured XJF compressors are supplied with a slide valve linear transmitter. The linear transmitter is used only with the Quantum™ / Quantum™ LX microprocessor.

**RXF/RXB Plus Microprocessors or Mini-micros:**

If you are replacing an older compressor that has an RXF/RXB Plus microprocessor, or a Mini-micro, remove the slide valve potentiometer assembly and indicator rod assembly (See Fig. 13a) prior to returning the compressor. Save these parts. Remove the linear transmitter (See Fig. 13c) from the remanufactured compressor. Replace it with your parts saved from the original compressor.

It is recommended that you retain the old compressor until the new compressor is installed. However, if you have shipped the original compressor back before removing the parts, and the unit does not have a Quantum™ / Quantum™ LX microprocessor, you will need to order the following parts. (See Figure 13a):

Description	XJF 95	XJF 120	XJF 151	Item
Slide Valve Potentiometer Service Kit	111Q0045464	111Q0045464	111Q0045464	1
Indicator Rod	534B0185H01	534B0235H01	534B0516H01	2
Indicator Rod Guide	534C0382H01	534C0382H01	534C1064H01	3
Spring	534A0148H01	534A0148H01	534A0148H01	4
O-ring (Internal)	980A0012A11	980A0012A11	980A0012A11	5
O-ring (External)	980A0012K62	980A0012K62	980A0012K62	6

**Quantum™ Controls:**

If the original unit has a Quantum™ / Quantum™ LX microprocessor with a slide valve potentiometer, the linear transmitter (See Fig. 13c) on the remanufactured compressor may be used in place of the potentiometer. It will be necessary to install links or jumpers (P/N 333Q0001419) at link location J14, J16, and pins 1 & 2 of J15 on the older style analog board (May 2003 and earlier). If the Quantum™ has the current style analog board (June 2003 and later), this is done with a channel type selection in Factory Setup. Contact your Frick® Factor for access and instruction. The linear transmitter needs to be set to 0-20 mA. It will also be necessary to have a DIN connector (P/N 649A0890H01) and Gasket (P/N 649A0890H11) to connect the existing wire to the transmitter. Make sure the connector is wired as shown in publication 090-010 M Quantum™ Control Panel Maintenance or 090-020 M Quantum™ LX Control Panel Maintenance for the RXF unit. (See Figure 13b).

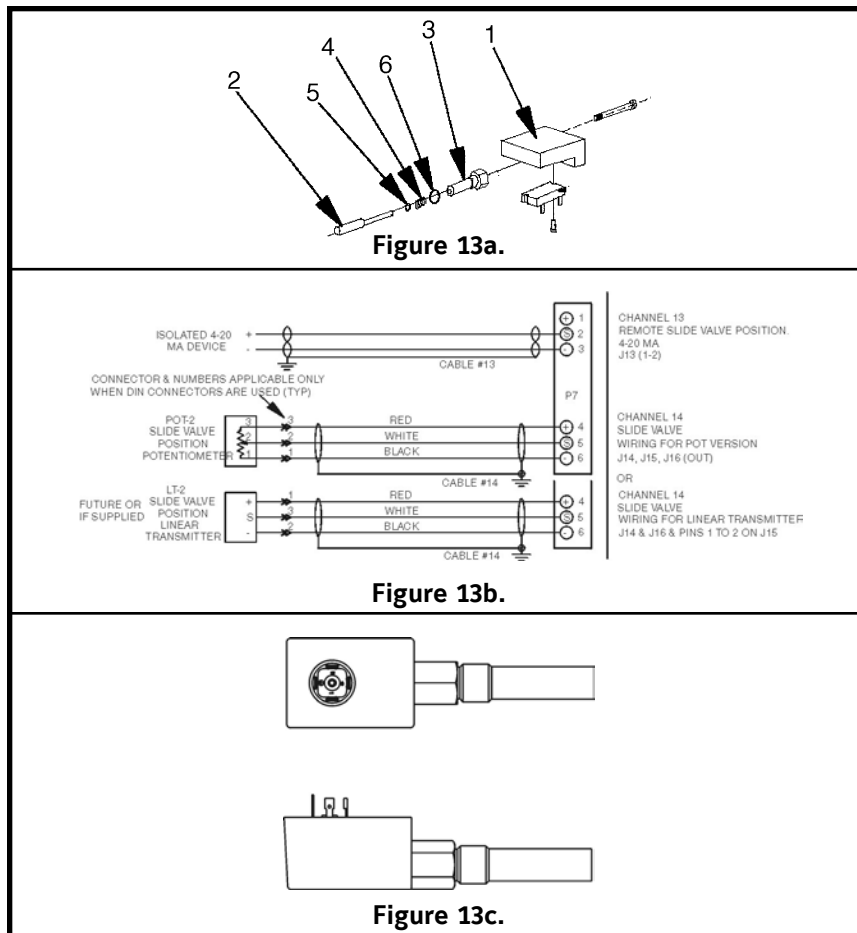
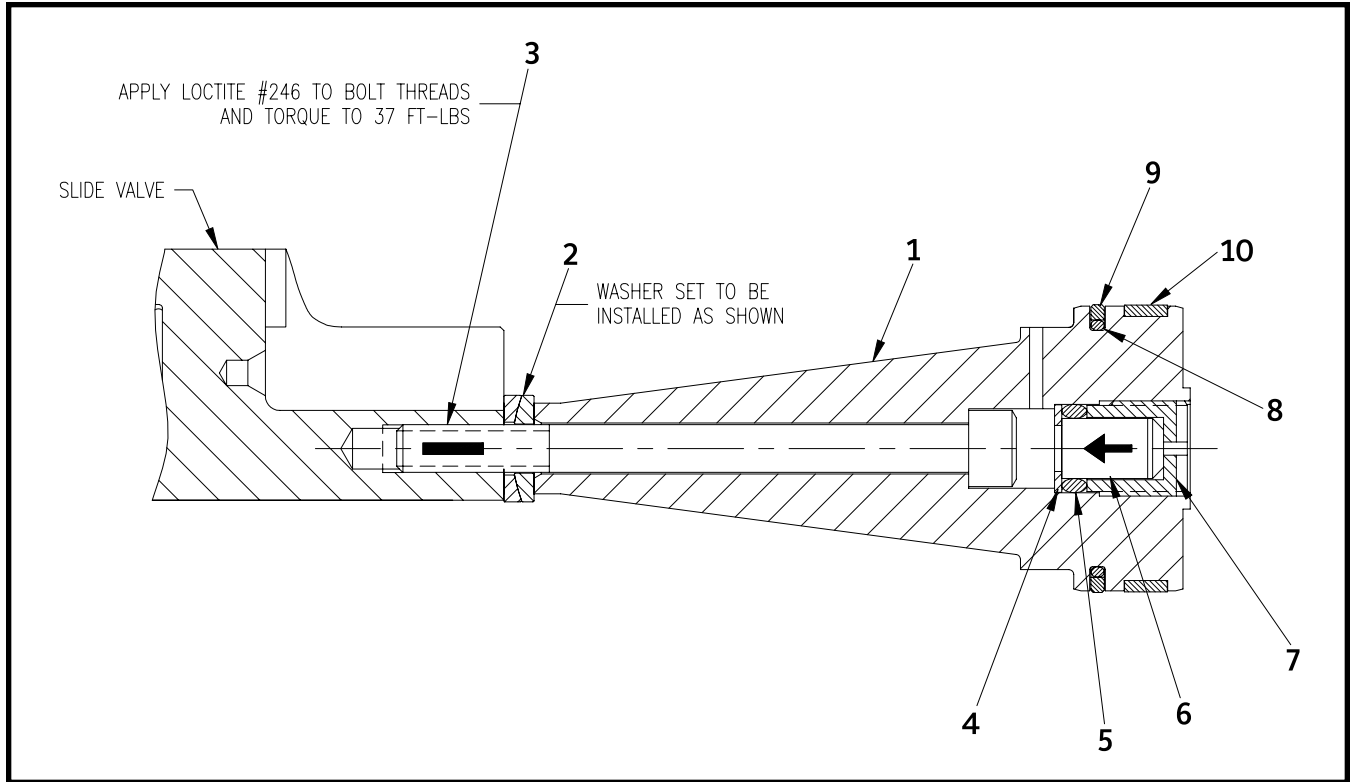


Figure 13. Slide Valve Potentiometers vs Linear Transmitters on Remanufactured XJF Compressors



**Figure 14. Piston Repair Kit, 95mm Slide Valve**

FIG. & INDEX	ITEM NUMBER	DESCRIPTION	QTY.	REV.
14--	534B1065G01	Slide Valve Piston Repair Kit, 95mm	Ref.	
-1	534D1518H01	Piston, Slide Valve	1	
-2	534A0932H01	Washer Set, Spherical	1	
-3	534A0343H01	Capscrew, Socket Head	1	
-4	534A0341H01	Washer, Check Valve Retainer	1	
-5	980A0012B35	O-ring, 206	1	
-6	534A0173H01	Valve, Check	1	
-7	534C0431H01	Retainer, Check Valve	1	
-8	980A0012A86	O-ring, 136	1	
-9	534C0187H10	Ring, Glyd	1	
-10	534B0079H03	Ring, Slyd	1	
-11	980A0012A89	O-ring, 139 (not shown, Cylinder Bore Cover)	1	

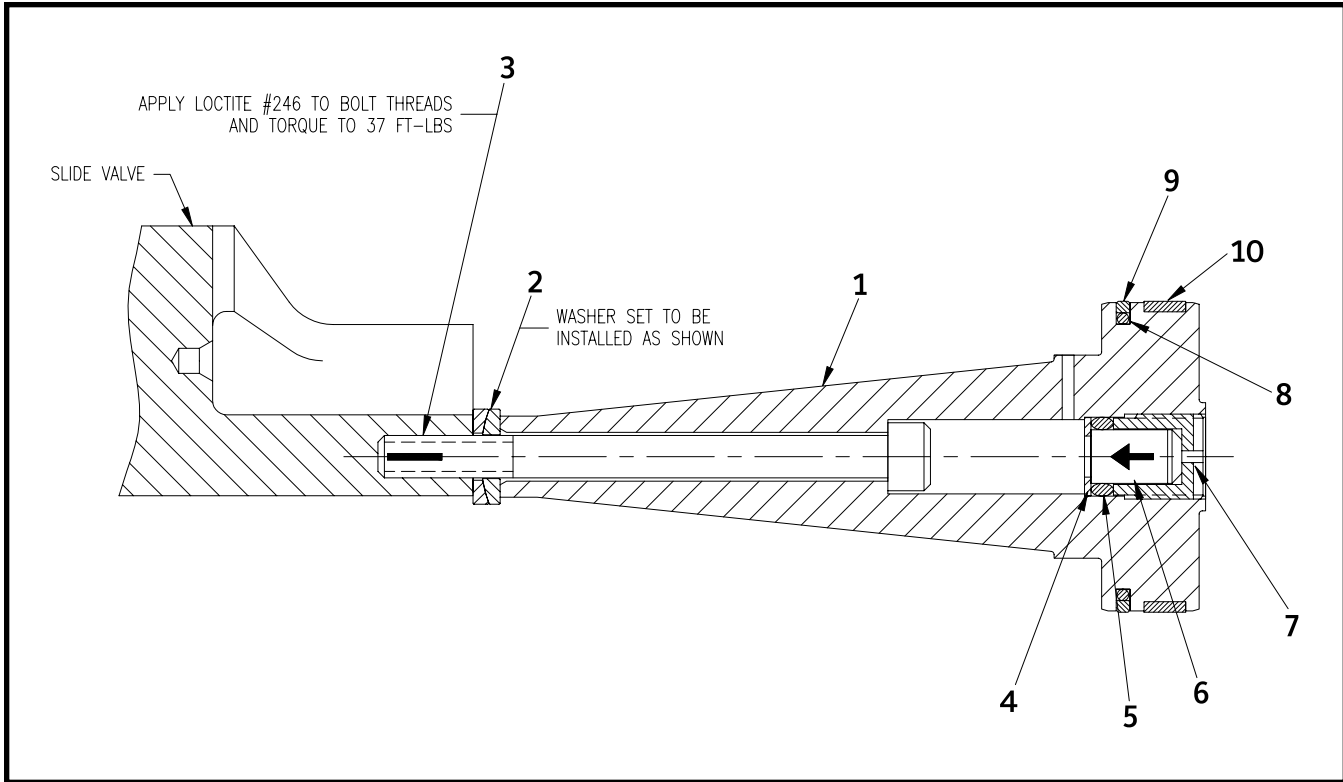
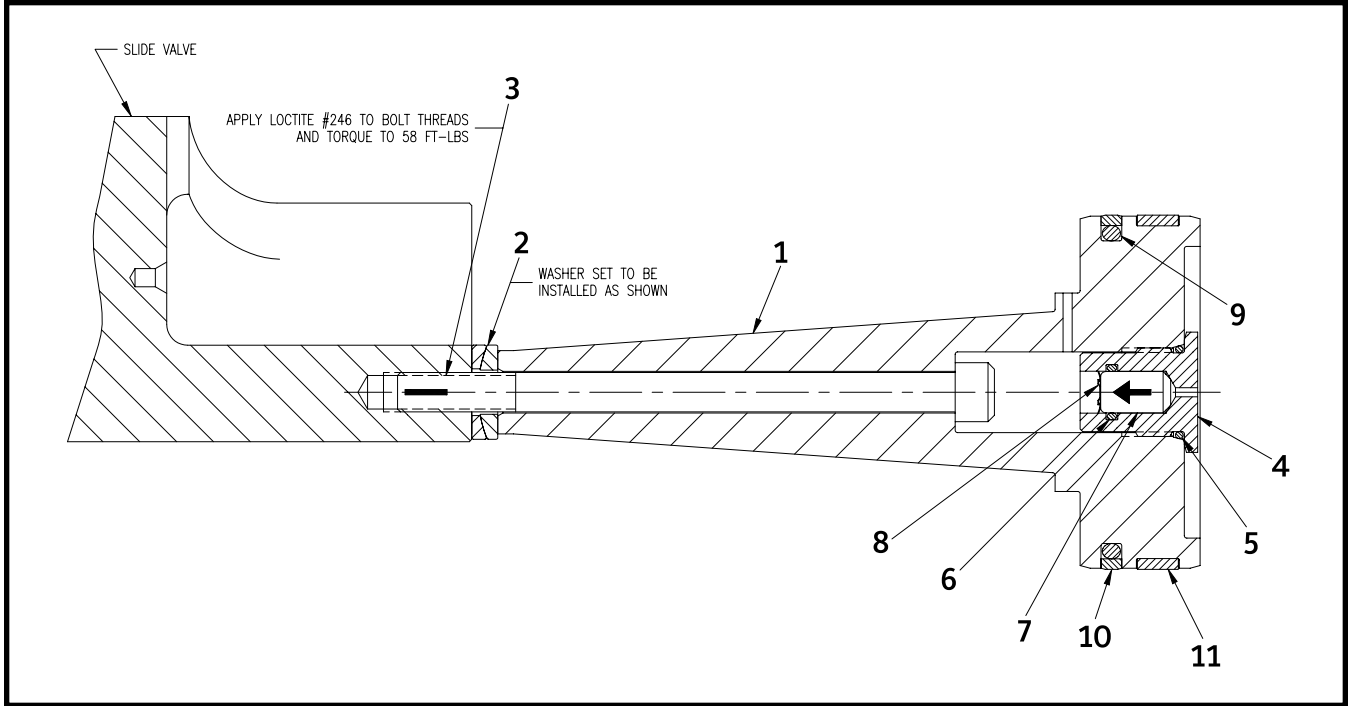


Figure 15. Piston Repair Kit, 120mm Slide Valve

FIG. & INDEX	ITEM NUMBER	DESCRIPTION	QTY.	REV.
15-	534B1066G01	Slide Valve Piston Repair Kit, 120mm	Ref.	
-1	534D1516H01	Piston, Slide Valve	1	
-2	534A0932H01	Washer Set, Spherical	1	
-3	534A0343H01	Capscrew, Socket Head	1	
-4	534A0341H01	Washer, Check Valve Retainer	1	
-5	980A0012B35	O-ring, 206	1	
-6	534A0173H01	Valve, Check	1	
-7	534C0431H01	Retainer, Check Valve	1	
-8	980A0012A94	O-ring, 144	1	
-9	534C0187H08	Ring, Glyd	1	
-10	534B0079H04	Ring, Slyd	1	
-11	980A0012A97	O-ring, 147 (Cylinder Bore Cover, not shown)	1	



**Figure 16. Piston Repair Kit, 151mm Slide Valve**

FIG. & INDEX	ITEM NUMBER	DESCRIPTION	QTY.	REV.
16-	534B1067G01	Slide Valve Piston Repair Kit, 151mm	Ref.	
-1	534D1515H01	Piston, Slide Valve	1	
-2	534A0931H01	Washer Set, Spherical	1	
-3	534A0572H01	Capscrew, Socket Head	1	
-4	534A0555H01	Retainer, Check Valve	1	
-5	980A0012K66	O-ring, 912	1	
-6	980A0012A62	O-ring, 112	1	
-7	534A0173H01	Valve, Check	1	
-8	534A0570H01	Ring, Retaining	1	
-9	980A0012H49	O-ring, 342	1	
-10	534A0187H18	Ring, Glyd	1	
-11	534B0079H08	Ring, Slyd	1	
-12	980A0012B72	O-ring, 242 (Cylinder Bore Cover, not shown)	1	

ITEM NUMBER	FIG. & INDEX NO.	ITEM NUMBER	FIG. & INDEX NO.	ITEM NUMBER	FIG. & INDEX NO.
111Q0110110	3-19	534A0157G01	4-44	534A0568H05	6-112
111Q0451948	6-99	534A0157G02	1-26	534A0569H01	6-96
111Q0740723	1-79	534A0157G02	4-44	534A0570H01	6-88
111Q0740739	1-80	534A0157G03	1-26	534A0570H01	16-8
111Q0740739	2-80	534A0157G03	4-44	534A0572H01	6-61
111Q0740739	3-7	534A0167H01	1-16	534A0572H01	16-3
111Q0740739	5-69	534A0167H01	4-57	534A0658G01	5-1
111Q0740740	5-86	534A0173H01	1-76	534A0658G02	2-19
111Q0740741	2-82	534A0173H01	2-76	534A0662H02	6-38
111Q0740741	5-92	534A0173H01	4-18	534A0673H01	6-110
111Q0740748	1-83	534A0173H01	5-18	534A0725H01	3-9
111Q0740748	4-9	534A0173H01	6-109	534A0726H01	3-16
111Q0740772	1-82	534A0173H01	14-6	534A0727H01	3-17
111Q0740772	4-94	534A0173H01	15-6	534A0730H01	7-136
111Q0740772	5-113	534A0173H01	16-7	534A0731H01	7-137
111Q0740781	2-83	534A0187H18	16-10	534A0732H01	7-129
111Q0740781	5-9	534A0195G01	1-19	534A0835H01	1-30
111Q0740792	5-47	534A0195G01	4-1	534A0835H01	2-30
111Q0740838	2-79	534A0219H01	1-33	534A0835H01	3-4
111Q0740838	5-50	534A0219H01	2-33	534A0835H01	4-5
111Q0740840	4-9	534A0219H01	4-39	534A0835H01	5-5
111Q0880452	2-101	534A0219H01	5-43	534A0883H01	1-29
111Q0880452	5-110	534A0219H01	6-95	534A0883H01	2-29
333Q0000584	3-13	534A0230H01	1-18	534A0883H01	4-89
333Q0000703	1-94	534A0230H01	4-56	534A0883H01	5-99
333Q0000703	4-82	534A0231H01	2-18	534A0883H01	6-94
333Q0000717	1-95	534A0231H01	5-64	534A0931H01	6-127
333Q0000717	4-83	534A0312H01	6-34	534A0931H01	16-2
333Q0000738	4-77	534A0313H01	6-105	534A0932H01	1-97
333Q0000910	6-44	534A0341H01	1-75	534A0932H01	2-97
534A0035H12	1-73	534A0341H01	2-75	534A0932H01	4-100
534A0035H12	4-30	534A0341H01	4-17	534A0932H01	5-115
534A0037H03	3-10	534A0341H01	5-17	534A0932H01	14-2
534A0037H03	7-141	534A0341H01	14-4	534A0932H01	15-2
534A0037H12	1-36	534A0341H01	15-4	534B0004H13	1-41
534A0037H12	2-36	534A0342H01	1-62	534B0004H13	2-41
534A0037H12	4-67	534A0342H01	2-62	534B0004H13	4-46
534A0037H12	5-75	534A0342H01	4-80	534B0004H13	5-57
534A0037H12	6-83	534A0342H01	5-89	534B0004H14	2-42
534A0038H02	1-35	534A0342H01	5-108	534B0004H14	5-67
534A0038H02	2-35	534A0343H01	1-81	534B0004H15	2-41
534A0038H02	4-34	534A0343H01	2-81	534B0004H15	5-54
534A0038H02	5-34	534A0343H01	4-16	534B0004H16	1-42
534A0038H02	6-86	534A0343H01	5-16	534B0004H16	4-59
534A0038H06	1-34	534A0343H01	14-3	534B0004H17	2-40
534A0038H06	2-34	534A0343H01	15-3	534B0004H17	5-27
534A0038H06	4-25	534A0506H01	4-77	534B0004H18	1-40
534A0038H06	5-25	534A0542G02	6-1	534B0004H18	4-27
534A0038H06	6-87	534A0555H01	6-21	534B0004H21	1-43
534A0145H01	2-16	534A0555H01	16-4	534B0004H21	4-54
534A0145H01	5-65	534A0557H01	6-22	534B0004H22	2-43
534A0147G01	2-26	534A0558H01	6-23	534B0004H22	5-62
534A0147G01	5-52	534A0560H01	6-25	534B0004H28	6-49
534A0147G02	2-26	534A0561H01	6-26	534B0004H29	6-50
534A0147G02	5-52	534A0564G01	6-45	534B0004H30	6-51
534A0147G03	2-26	534A0564G02	6-46	534B0004H31	6-52
534A0147G03	5-52	534A0564G03	6-47	534B0014H09	6-89
534A0157G01	1-26	534A0564G04	6-48	534B0014H17	1-70

ITEM NUMBER	FIG. & INDEX NO.	ITEM NUMBER	FIG. & INDEX NO.	ITEM NUMBER	FIG. & INDEX NO.
534B0014H17	4-55	534B0233H01	2-17	534C0194H16	1-98
534B0014H18	2-70	534B0233H01	5-40	534C0194H16	2-98
534B0014H18	5-63	534B0234H01	1-17	534C0194H16	5-114
534B0015H13	6-90	534B0274H01	2-103	534C0194H27	6-29
534B0079H03	1-65	534B0274H01	5-91	534C0194H61	6-125
534B0079H03	4-15	534B0302H01	1-71	534C0373H01	2-22
534B0079H03	14-10	534B0302H01	4-65	534C0373H01	5-58
534B0079H04	2-65	534B0480H01	1-101	534C0375C01	2-9
534B0079H04	3-21	534B0483H01	4-36	534C0377H01	2-22
534B0079H04	5-15	534B0484H01	4-97	534C0377H01	5-55
534B0079H04	15-10	534B0523H01	6-28	534C0378C01	2-7
534B0079H08	6-39	534B0527H01	6-37	534C0378C01	5-44
534B0079H08	7-143	534B0671H01	3-14	534C0378C02	2-8
534B0079H08	16-11	534B0672H01	3-11	534C0378C02	5-35
534B0101H07	2-44	534B0673H01	3-12	534C0381C01	2-10
534B0101H07	5-41	534B0674H01	3-22	534C0381C01	5-22
534B0101H08	1-44	534B0675H01	7-128	534C0408G01	2-39
534B0101H23	1-45	534B0731H01	1-24	534C0408G01	5-6
534B0101H23	4-53	534B0731H01	4-69	534C0415C01	1-5
534B0101H24	2-45	534B0732H01	6-43	534C0415C01	4-52
534B0101H24	5-61	534B0909H01	2-73	534C0419C01	1-7
534B0101H27	6-53	534B0909H01	5-30	534C0419C01	4-40
534B0125H12	1-74	534B0909H02	6-92	534C0419C02	1-8
534B0125H12	4-29	534B0909H04	6-93	534C0419C02	4-35
534B0149H01	6-84	534B0930H01	1-92	534C0423C01	1-9
534B0149H02	1-37	534B0930H01	2-92	534C0423C01	4-70
534B0149H02	2-37	534B0930H01	3-3	534C0424C01	1-10
534B0149H02	5-48	534B0930H01	4-4	534C0424C01	4-22
534B0151H01	6-85	534B0930H01	5-4	534C0426H01	1-22
534B0174H02	1-68	534B0986H01	1-27	534C0426H01	4-47
534B0174H02	2-67	534B0986H01	4-88	534C0426H01	4-50
534B0174H02	2-68	534B1121H01	2-104	534C0428G01	1-39
534B0174H02	4-45	534B1121H01	5-116	534C0428G01	4-6
534B0174H02	5-56	534B1218H01	6-97	534C0431H01	1-77
534B0174H03	1-67	534B1424G01	2-27	534C0431H01	2-77
534B0174H03	5-53	534B1424G01	5-97	534C0431H01	4-20
534B0174H04	2-69	534B1424G02	6-27	534C0431H01	5-20
534B0174H04	5-66	534B2010H01	5-73	534C0431H01	14-7
534B0174H06	1-69	534C0187H08	1-63	534C0431H01	15-7
534B0174H06	4-58	534C0187H08	2-63	534C0445C01	2-21
534B0174H10	1-66	534C0187H08	4-73	534C0445C01	5-26
534B0174H10	4-78	534C0187H08	5-14	534C0446C01	1-21
534B0174H10	5-87	534C0187H08	15-9	534C0446C01	4-26
534B0174H17	6-91	534C0187H09	2-64	534C0471C01	2-2
534B0182H02	1-25	534C0187H09	5-81	534C0471C01	5-42
534B0182H02	4-64	534C0187H10	1-64	534C0472C01	2-3
534B0182H04	3-8	534C0187H10	4-14	534C0472C01	5-31
534B0182H05	7-133	534C0187H10	14-9	534C0473C01	1-2
534B0182H06	2-25	534C0187H16	6-40	534C0473C01	4-38
534B0182H06	5-72	534C0187H17	6-41	534C0474C01	1-3
534B0193H01	1-38	534C0187H18	6-42	534C0474C01	4-31
534B0193H01	2-38	534C0194H02	2-99	534C0478H10	2-46
534B0193H01	4-41	534C0194H02	5-98	534C0478H10	5-28
534B0193H01	5-49	534C0194H04	2-99	534C0478H11	1-46
534B0199H01	2-23	534C0194H04	5-105	534C0478H11	4-28
534B0199H01	5-71	534C0194H07	1-99	534C0478H12	6-54
534B0208H01	1-23	534C0194H07	4-2	534C0479H03	2-32
534B0208H01	4-63	534C0194H08	4-95	534C0479H03	5-38

ITEM NUMBER	FIG. & INDEX NO.	ITEM NUMBER	FIG. & INDEX NO.	ITEM NUMBER	FIG. & INDEX NO.
534C0479H04	1-32	534C1972H01	5-96	535C1062C01	6-12
534C0479H11	1-31	534C1972H01	6-106	535C1870H01	5-93
534C0479H11	4-32	534C2010H01	2-71	535C1874H01	2-87
534C0479H12	2-31	534C2011H01	2-24	535C1874H01	5-93
534C0479H12	5-32	534C2011H01	5-77	535C1875H01	6-30
534C0480H01	2-13	534C2015C01	6-13	580D0071H24	1-91
534C0480H01	5-39	534C2138H01	7-132	580D0071H24	4-92
534C0481H01	2-14	534C2143H01	7-131	581A0011H07	3-20
534C0481H01	5-36	534D0322C01	2-4	581A0011H07	7-140
534C0482H01	1-13	534D0322C01	3-1	581B0001H03	3-18
534C0483H01	1-14	534D0322C01	5-3	649A0890H02	1-47
534C0486H04	2-93	534D0324C01	2-5	649A0890H02	2-47
534C0486H04	5-102	534D0324C01	3-2	649A0890H02	4-98
534C0486H08	1-93	534D0324C01	5-60	649A0890H02	5-111
534C0486H08	4-81	534D0325C01	2-12	649A0890H02	6-101
534C0486H09	2-95	534D0325C01	5-82	649A0890H11	1-47
534C0486H09	5-103	534D0326H01	2-11	649A0890H11	2-47
534C0486H10	2-95	534D0326H01	5-59	649A0890H11	4-99
534C0486H10	5-104	534D0341C01	2-88	649A0890H11	5-112
534C0611H01	2-20	534D0341C01	5-7	649A0890H11	6-102
534C0611H01	5-70	534D0342C01	1-4	901A0043D03	7-139
534C0612H01	1-20	534D0342C01	4-3	901A0085H04	4-77
534C0612H01	4-62	534D0344H01	1-11	901A0085H08	6-63
534C0614C01	1-6	534D0344H01	4-51	901A0085H09	4-61
534C0614C01	4-66	534D0349C01	1-88	901A0085H09	7-62
534C0660H01	5-84	534D0349C01	4-7	901A0085H10	4-42
534C0661C01	5-78	534D0856G01	1-72	901A0085H19	1-78
534C0703C01	5-45	534D0860G01	4-2	901A0085H19	2-78
534C0709H01	5-85	534D0860G01	4-60	901A0085H19	3-6
534C1011H01	4-76	534D0914C01	6-3	901A0085H19	4-23
534C1044H01	1-12	534D0916C01	6-5	901A0085H19	5-23
534C1044H01	4-74	534D0917H01	6-6	901A0085H19	6-64
534C1057C01	6-7	534D0918H01	6-15	901A0190H10	7-138
534C1058C01	6-8	534D0919H01	6-16	901A0192H03	6-57
534C1059C01	6-9	534D0920H01	6-17	901A0192H07	2-96
534C1060C01	6-10	534D0925G01	6-2	901A0192H07	5-9
534C1061C01	6-11	534D0940H01	6-20	901A0196H07	1-102
534C1072H01	6-14	534D1515H01	6-18	901A0196H07	2-94
534C1160H01	6-123	534D1515H01	16-1	901A0196H07	4-101
534C1279H01	7-130	534D1516H01	2-15	901A0196H07	5-88
534C1552H01	1-47	534D1516H01	5-12	901A0196H07	6-100
534C1552H01	2-47	534D1516H01	15-1	901A0207H06	6-56
534C1552H01	4-91	534D1518H01	1-15	901A0207H10	6-60
534C1552H01	5-101	534D1518H01	4-12	901A0222H11	1-96
534C1552H01	6-126	534D1518H01	14-1	901A0223H06	6-55
534C1552H02	1-47	534D1689C01	2-6	901A0223H10	6-58
534C1552H02	2-47	534D1689C01	5-74	901A0240H09	6-59
534C1552H02	4-91	534D1778C01	6-19	903A0003H08	6-122
534C1552H02	5-101	534E0143C01	2-72	941A0021H02	7-147
534C1552H02	6-126	534E0143C01	5-2	944A0113H01	1-100
534C1868H01	1-87	534E0155C01	2-72	944A0113H01	2-100
534C1868H01	4-84	534E0194C01	2-1	944A0113H01	4-96
534C1870H01	2-87	534E0195C01	1-1	944A0113H01	5-109
534C1872H01	1-87	534E0272C01	5-68	944A0113H03	7-146
534C1872H01	4-84	534E0273C01	5-83	944A0116H01	2-102
534C1972H01	1-85	534E0307C01	5-10	944A0116H05	7-148
534C1972H01	2-85	534E0437C01	4-75	944A0228H03	6-117
534C1972H01	4-87	534E0446C01	4-10	944A0228H05	6-118

ITEM NUMBER	FIG. & INDEX NO.	ITEM NUMBER	FIG. & INDEX NO.	ITEM NUMBER	FIG. & INDEX NO.
944A0228H06	6-119	980A0012A97	5-21		
944A0228H08	6-120	980A0012A97	15-11		
944A0246H01	6-116	980A0012A98	1-56		
944A0246H01	7-116	980A0012A98	2-53		
944A0296H06	2-91	980A0012A98	4-71		
944A0358H05	5-106	980A0012A98	5-80		
944A0358H06	6-31	980A0012B02	2-56		
950A0292H01	7-145	980A0012B02	5-79		
950A0293H02	1-86	980A0012B02	6-124		
950A0293H02	2-86	980A0012B03	2-54		
950A0293H02	4-86	980A0012B03	2-55		
950A0293H02	5-95	980A0012B03	5-117		
950A0293H02	6-103	980A0012B04	1-57		
951A0115H10	1-84	980A0012B04	4-68		
951A0115H10	2-84	980A0012B06	7-67		
951A0115H10	4-85	980A0012B35	1-58		
951A0115H10	5-94	980A0012B35	2-58		
951A0115H10	6-104	980A0012B35	4-19		
959A0054H10	2-90	980A0012B35	5-19		
959A0054H10	5-8	980A0012B35	14-5		
959A0054H11	6-107	980A0012B35	15-5		
959A0057H06	1-89	980A0012B64	6-66		
959A0057H06	4-93	980A0012B72	2-57		
959A0057H09	6-108	980A0012B72	5-76		
959A0057H18	2-89	980A0012B72	6-67		
959A0057H18	5-107	980A0012B72	16-12		
959A0066H12	1-90	980A0012B73	6-68		
959A0066H12	4-8	980A0012B74	5-46		
980A0012A62	6-65	980A0012B76	6-69		
980A0012A62	16-6	980A0012B78	6-70		
980A0012A65	3-15	980A0012B91	6-71		
980A0012A68	7-134	980A0012B99	1-60		
980A0012A85	1-48	980A0012B99	4-11		
980A0012A85	4-24	980A0012H05	2-60		
980A0012A86	1-49	980A0012H05	5-11		
980A0012A86	4-13	980A0012H06	1-61		
980A0012A86	14-8	980A0012H06	4-43		
980A0012A88	1-50	980A0012H10	2-61		
980A0012A89	1-51	980A0012H10	5-51		
980A0012A89	4-21	980A0012H10	6-72		
980A0012A89	14-11	980A0012H12	6-73		
980A0012A90	1-52	980A0012H49	6-74		
980A0012A90	4-79	980A0012H49	16-9		
980A0012A93	2-48	980A0012H51	6-75		
980A0012A93	5-24	980A0012H55	6-76		
980A0012A94	1-53	980A0012K58	6-77		
980A0012A94	2-49	980A0012K60	6-78		
980A0012A94	2-52	980A0012K60	7-78		
980A0012A94	4-72	980A0012K62	1-59		
980A0012A94	5-13	980A0012K62	2-59		
980A0012A94	15-8	980A0012K62	4-90		
980A0012A95	2-50	980A0012K62	5-100		
980A0012A95	5-37	980A0012K62	6-79		
980A0012A96	1-54	980A0012K66	6-80		
980A0012A97	1-55	980A0012K66	16-5		
980A0012A97	2-51	980A0012K72	6-81		
980A0012A97	3-5	991A0036H01	6-121		
980A0012A97	4-33	999Q0740846	5-90		

**Form 070.450-SPL (2011-04)**  
Supersedes: 070-450 SPL (2011-02)  
Subject to change without notice  
Published in USA • GUI

© 2011 Johnson Controls Inc. - ALL RIGHTS RESERVED



**Johnson Controls**  
100 CV Avenue  
Waynesboro, PA USA 17268-1206  
Phone: 717-762-2121 • FAX: 717-762-8624  
[www.johnsoncontrols.com/frick](http://www.johnsoncontrols.com/frick)