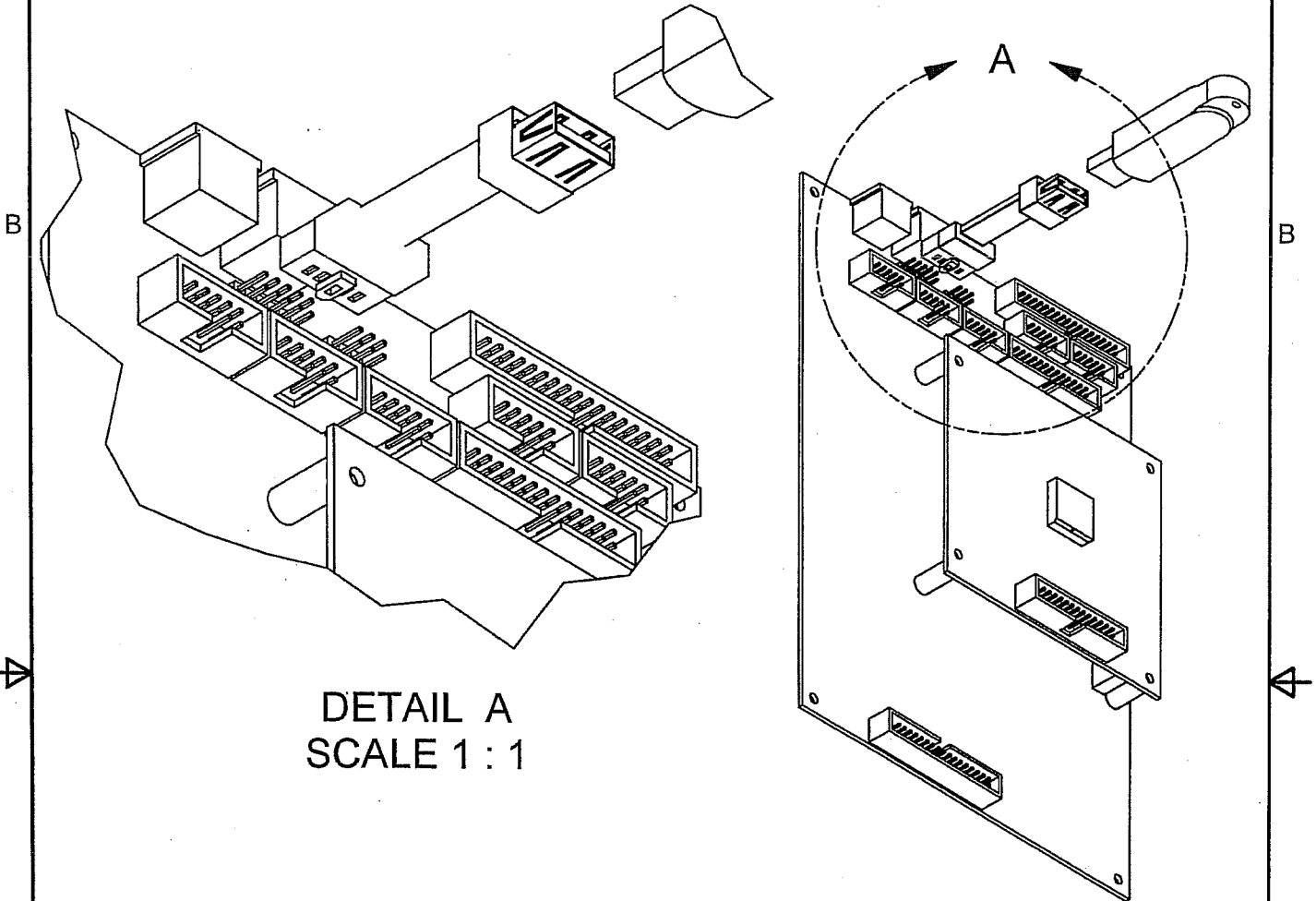


2

1

REVISION HISTORY

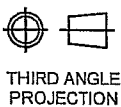
ZONE	REV	ECN	DESCRIPTION	DATE	DR	CHK	APPD
-	-	-	-	-	-	-	-



DETAIL A
SCALE 1 : 1

INSTRUCTIONS:

- 1) ENSURE SWITCH ON DRIVE IS IN THE UNLOCK POSITION.
- 2) MAKE SURE USB DRIVE IS INSERTED INTO ADAPTER HARNESS.
- 3) INSERT HARNESS AND DRIVE ASSY ONTO PL8 USB PORT WITH KEYWAY INWARD.



THIRD ANGLE PROJECTION

UNLESS OTHERWISE SPECIFIED DIMENSIONS ARE IN INCHES DO NOT SCALE



York International Refrigeration - Frick Waynesboro, PA 17268

UNLESS OTHERWISE SPECIFIED TOLERANCES PER QAP 18

DEC 2PL	DEC 3PL	FRACT	ANGLE
±	±	±	±

TITLE

QUANTUM LX SOFTWARE UPDATE KIT

DR	BS HESS	1/6/2005
CHK	J COSNER	1/6/2005
APPD	DE LEHMAN	1/6/2005

SIZE	CAGE CODE	DWG NO
A	23587	649A1063

649A1063

REV -

CODE	SCALE	1:2	SHEET	1	OF	1
------	-------	-----	-------	---	----	---

2

1

Quantum LX Panel Software Update

Use only on software versions 6.07 and later

To Save Setpoints, Update Program & Restore Setpoints

1. Stop compressor
2. With Power ON insert the update drive unit (USB) into the PL5 port of the communications board on newer QIV boards or port PL8 USB of the processor on older QIV boards. On older boards ensure the tabbed key of the drive connector is plugged in as shown on drawing 639A1063 with the tab facing inboard.
3. Go to session 2. Default password is 20
4. Press [Menu] key
5. Curse down to Service and press the [Enter] key
6. Curse down to Software Maintenance and press the [Enter] key
7. Press #1 to save setpoints. Enter a number between 01 and 99 of the file you want to save the setpoints to and press the enter key. (See Note A: below)
8. Upon return to the menu, press #2 to do the Full Installation.
9. Upon return to the menu, press #3 to Restore setpoints and enter the number of the setpoints you wish to restore and press the enter key.
10. Upon return to the main menu and leaving the USB drive plugged into the board press #5 to Exit. The board will begin to reload and a message will appear stating that an "update has been detected.....", press the enter key. Once the system update is complete a message will appear stating to remove the USB device and cycle the power. The panel will reboot to level 0.

Restoring Setpoints

11. Follow steps 1-6
12. Press 3 to restore setpoints and enter the number of the setpoints you wish to restore and press the enter key.
13. Follow instructions in step 10 above.

Deleting Setpoints

14. Follow steps 1- 6 from above.
15. Press # 4 to Delete Setpoints and enter the number for the set of setpoints that you wish to delete and press the enter key. You will be asked if you are sure you wish to delete these setpoints, press the enter key, you will be advised that the setpoints have been deleted, press the enter key.
16. Follow instructions in step 10 above.

Note A: You may save and restore more than one set of setpoints by entering different numbers for the different setpoints files between 01 & 99. The USB drive does have a finite amount of memory and will most likely not save 99 different sets of setpoints.

Use the **DELETE SETPOINTS** option to delete certain setpoints files by their respective file number.