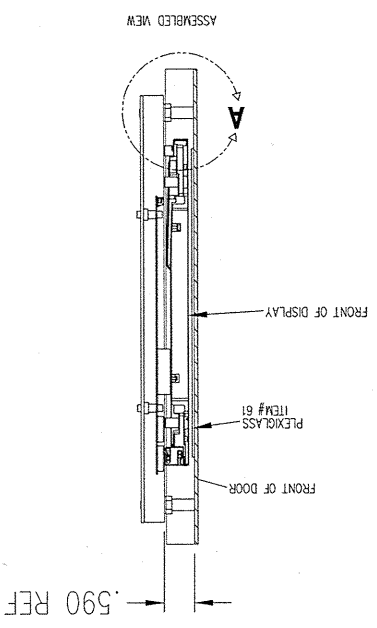
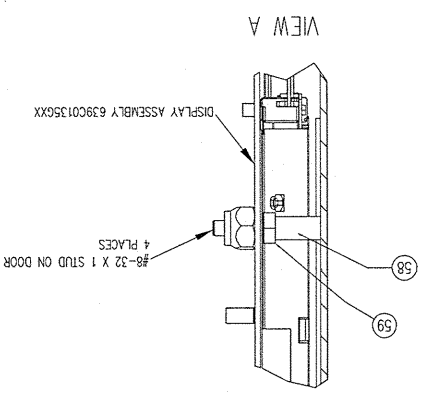
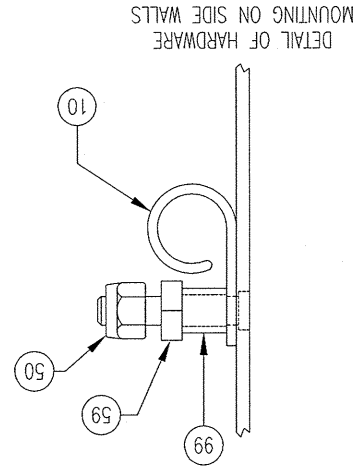
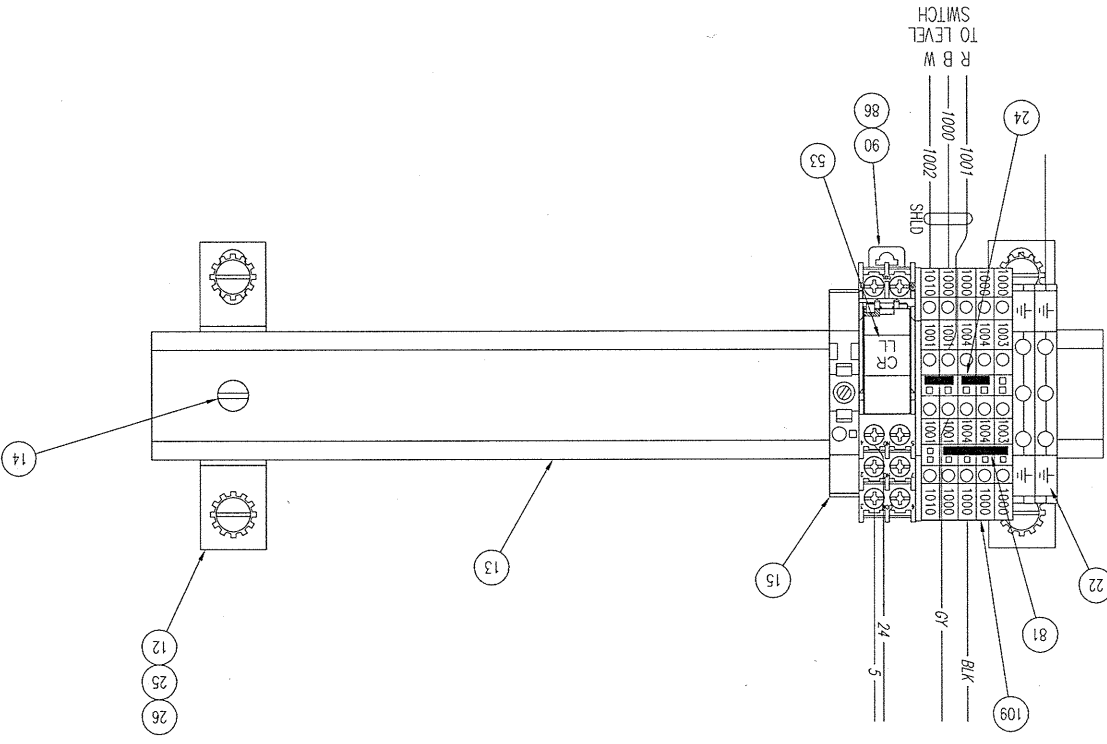
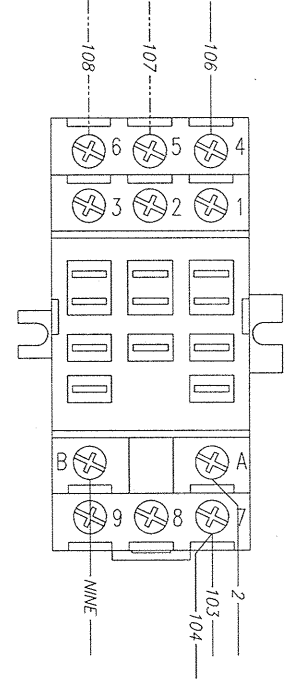
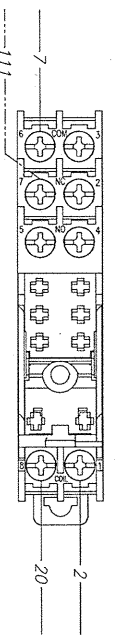


STANDARD WIRING OF "CRSH"
 FOR WIRING TO 2-1000W HTRS
 UNLESS OTHERWISE SPECIFIED
 DIMENSIONS ARE IN INCHES
 DO NOT SCALE



DR	DEC 81	DEC 81	DEC 81	DEC 81	DEC 81
DR	B. HESS	M. HESS	M. HESS	M. HESS	M. HESS
DR	H. KOWAL	H. KOWAL	H. KOWAL	H. KOWAL	H. KOWAL
DR	J. LONG	J. LONG	J. LONG	J. LONG	J. LONG
CODE					

TITLE	CONTROL PANEL ASSEMBLY QUANTUM 5 LX, NON-HAZARDOUS 22 x 18 x 10				
COMPONENT DETAILS & ENLARGEMENTS					
SHEET REV	23587	649D5856			
SCALE	1:1 & NOTED				

PURCHASER	
YORK ORD NO	
PURCH ORD NO	

NOTICE TO PURCHASER
 REFER TO CONTRACT FOR MATERIAL
 TO BE SUPPLIED BY JOY/JOHNSON
 THE MANUFACTURED BY ANYTHING
 SHOWN UPON THIS DRAWING.

THIS DRAWING AND THE SUBJECT MATTER IT CONTAINS, ARE PROPERTY OF JOY/JOHNSON. IT IS TO BE USED ONLY FOR THE PROJECT REFERENCED IN THIS DRAWING. ANY REUSE OR DISTRIBUTION, BEYOND THE REQUIREMENTS OF THE PROJECT, IS PROHIBITED.

© COPYRIGHT 10/29/10, JOY/JOHNSON. ALL RIGHTS RESERVED.

Johnson Controls
YORK Process Systems
 YORK, NY 10001