



**YORK**<sup>®</sup>  
A JOHNSON CONTROLS COMPANY

**PACKAGED ROOFTOP  
AIR CONDITIONING UNITS**

**RENEWAL PARTS**

Supersedes: NOTHING

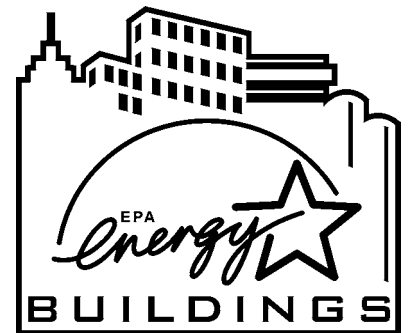
Form 100.50-RP7 (306)

**eco<sup>2</sup>**

**50 - 105 TON  
R-407 and R-22  
MOD "D"**

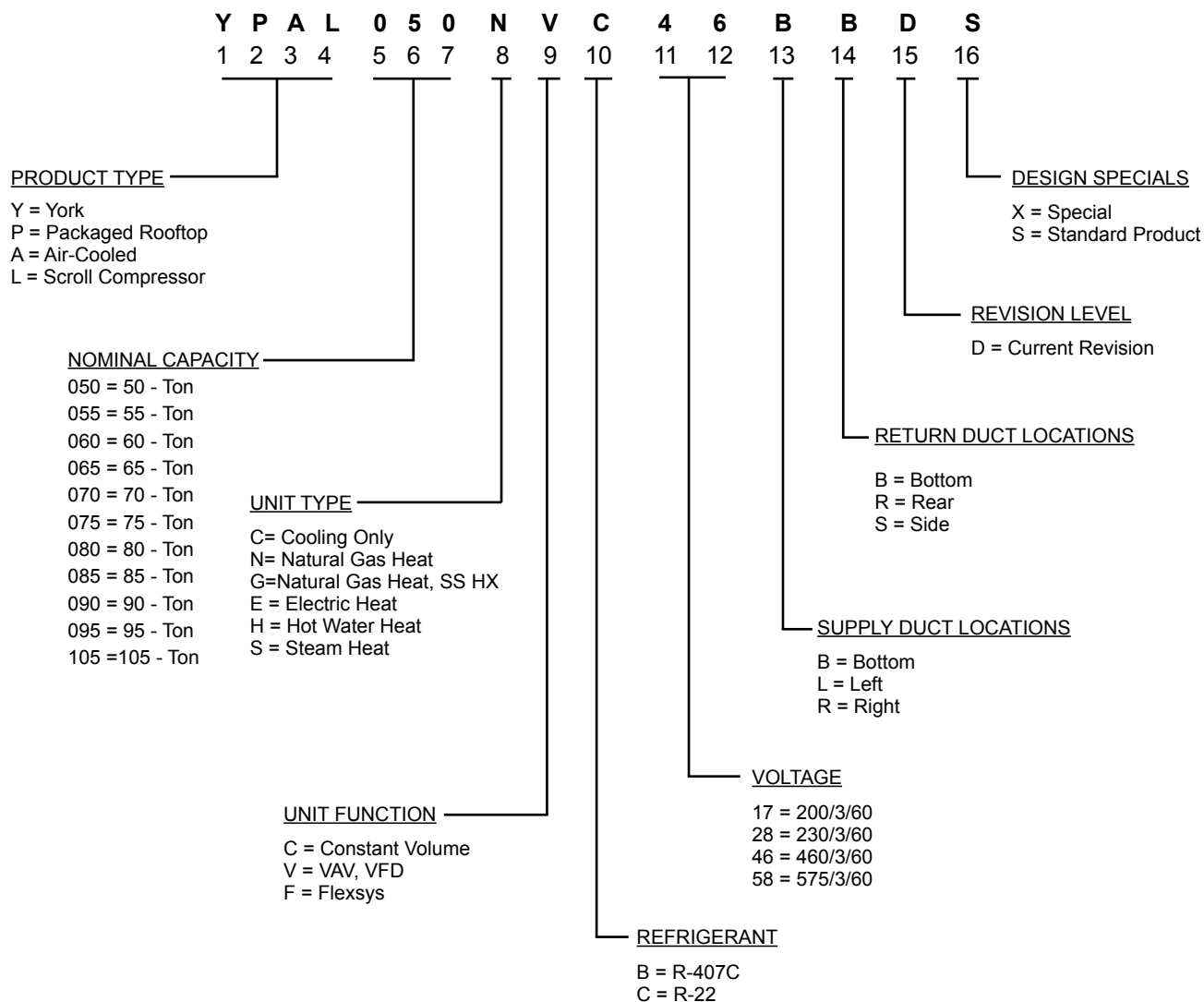


00406



ALLY

# BASIC MODEL NUMBER



**WARNING**  
**HIGH VOLTAGE**  
**is used in the operation of this equipment.**  
**DEATH or SERIOUS INJURY**  
**may result if personnel fail to observe safety precautions.**

Work on electronic equipment should **NOT** be undertaken unless the individual(s) has (have) been trained in the proper maintenance of the equipment and is (are) familiar with its potential hazards.

Shut off the power supply to the equipment before beginning work and follow lockout procedures. When working inside equipment with the power "OFF", take care of discharge every capacitor is likely to hold dangerous potential.

Be careful not to contact high voltage connections when installing or operating this equipment.

**LOW VOLTAGE**

**DO NOT** be misled by the term "low voltage". Voltages as low as 50 volts may cause death.

## TABLE OF CONTENTS

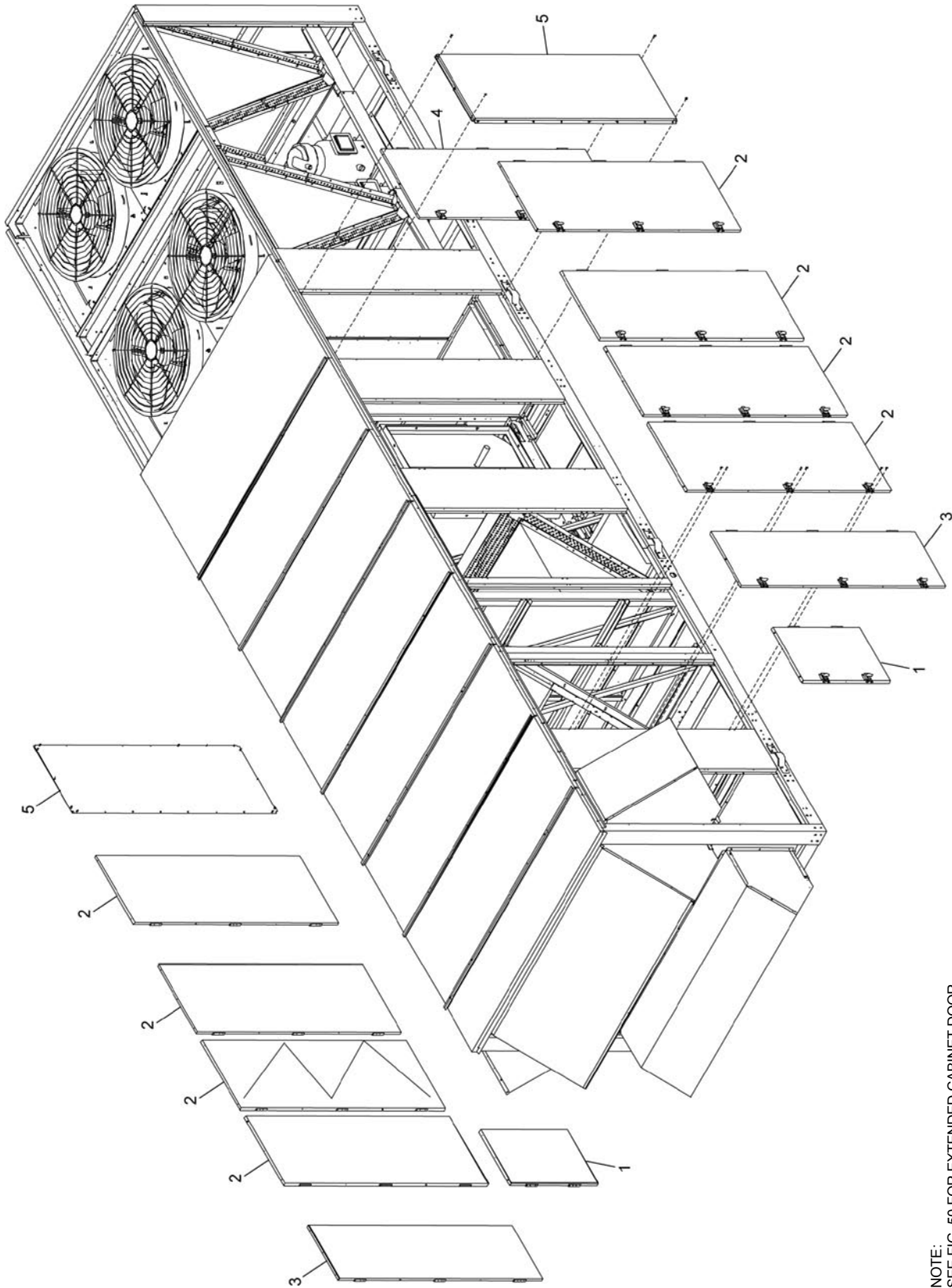
TITLE	PAGE
<b>TABLE 1</b> - DOOR ASSEMBLIES .....	5
<b>TABLE 2</b> - DOOR LATCH AND HINGE HARDWARE.....	9
<b>TABLE 3</b> - EXTERIOR UPRIGHT ASSEMBLIES .....	10
<b>TABLE 4</b> - PANEL ASSEMBLIES.....	14
<b>TABLE 5</b> - HOOD ASSEMBLIES AND FILTERS .....	18
<b>TABLE 6</b> - CHIMNEY ASSEMBLIES .....	19
<b>TABLE 7</b> - EXHAUST DAMPERS AND ACTUATORS.....	20
<b>TABLE 8</b> - EXHAUST FANS .....	21
<b>TABLE 9</b> - EXHAUST FAN MOTORS, ODP, 3 PHASE, 60 HERTZ .....	22
<b>TABLE 10</b> - EXHAUST FAN MOTORS, TEFC, 3 PHASE, 60 HERTZ .....	23
<b>TABLE 11</b> - EXHAUST FAN MOTORS, ODP AND TEFC, 3 PHASE, 50 HERTZ .....	24
<b>TABLE 12</b> - EXHAUST FAN ONE-INCH SPRING ISOLATORS.....	24
<b>TABLE 13</b> - EXHAUST FAN TWO INCH SPRING ISOLATORS .....	25
<b>TABLE 14</b> - EXHAUST FAN ONE-HALF-INCH NEOPRENE ISOLATORS .....	25
<b>TABLE 15</b> - ISOLATOR PART NUMBER IDENTIFICATION BY COLOR.....	26
<b>TABLE 16</b> - EXHAUST FAN REPLACEMENT PARTS .....	26
<b>TABLE 17</b> - RETURN FANS .....	27
<b>TABLE 18</b> - RETURN FAN MOTORS, ODP, 3 PHASE, 60 HERTZ .....	29
<b>TABLE 19</b> - RETURN FAN MOTORS, TEFC, 3 PHASE, 60 HERTZ .....	30
<b>TABLE 20</b> - RETURN FAN MOTORS, ODP AND TEFC, 3 PHASE, 50 HERTZ .....	30
<b>TABLE 21</b> - RETURN FAN ONE-INCH SPRING ISOLATORS.....	31
<b>TABLE 22</b> - RETURN FAN TWO-INCH SPRING ISOLATORS .....	31
<b>TABLE 23</b> - ISOLATOR PART NUMBER IDENTIFICATION BY COLOR.....	31
<b>TABLE 24</b> - RETURN FAN REPLACEMENT PARTS .....	32
<b>TABLE 25</b> - ECONOMIZER DAMPERS AND ACTUATORS .....	33
<b>TABLE 26</b> - AIR MEASUREMENT STATIONS .....	37
<b>TABLE 27</b> - UNIT FILTERS, RIGID.....	37
<b>TABLE 28</b> - UNIT FILTERS, ANGLE.....	39
<b>TABLE 29</b> - EVAPORATOR COILS, NONFLEXSYS (R407C AND R22).....	43
<b>TABLE 30</b> - EVAPORATOR COILS, FLEXSYS (R407C AND R22).....	46
<b>TABLE 31</b> - EVAPORATOR FACE DAMPERS, ACTUATORS, AND RELAYS .....	45
<b>TABLE 32</b> - SUPPLY FANS .....	46
<b>TABLE 33</b> - SUPPLY FAN MOTORS, ODP, 3 PHASE, 60 HERTZ .....	49
<b>TABLE 34</b> - SUPPLY FAN MOTORS, TEFC, 3 PHASE, 60 HERTZ .....	50
<b>TABLE 35</b> - SUPPLY FAN MOTORS, ODP AND TEFC, 3 PHASE, 50 HERTZ .....	51
<b>TABLE 36</b> - SUPPLY FAN (FORWARD-CURVED) ONE-INCH SPRING ISOLATORS.....	51
<b>TABLE 37</b> - SUPPLY FAN (FORWARD-CURVED) TWO-INCH SPRING ISOLATORS .....	52
<b>TABLE 38</b> - SUPPLY FAN (AIRFOIL) ONE-INCH SPRING ISOLATORS .....	52
<b>TABLE 40</b> - SUPPLY FAN (AIRFOIL) TWO-INCH SPRING ISOLATORS .....	53
<b>TABLE 39</b> - ISOLATOR PART NUMBER IDENTIFICATION BY COLOR.....	53
<b>TABLE 41</b> - SUPPLY FAN REPLACEMENT PARTS .....	54
<b>TABLE 42</b> - SUPPLY FAN MOTOR VARIABLE FREQUENCY DRIVES .....	57

## TABLE OF CONTENTS (CON'T)

TITLE	PAGE
<b>TABLE 43</b> - SUPPLY FAN MOTOR VFD BYPASS PANELS .....	57
<b>TABLE 44</b> - EXHAUST FAN MOTOR VARIABLE FREQUENCY DRIVES .....	59
<b>TABLE 45</b> - RETURN FAN MOTOR VARIABLE FREQUENCY DRIVES .....	59
<b>TABLE 46</b> - EXHAUST FAN MOTOR VFD BYPASS PANELS .....	59
<b>TABLE 47</b> - VFD BYPASS BOX REPLACEMENT PARTS .....	67
<b>TABLE 48</b> - FLEXSYS BYPASS DAMPERS AND ACTUATORS .....	67
<b>TABLE 49</b> - STAGED GAS HEAT PARTS.....	68
<b>TABLE 50</b> - MODULATING GAS HEAT PARTS .....	72
<b>TABLE 51</b> - HOT WATER HEAT COILS (STANDARD CABINET).....	74
<b>TABLE 52</b> - STEAM HEAT COILS (STANDARD CABINET).....	74
<b>TABLE 53</b> - HOT WATER HEAT PIPING PARTS (STANDARD CABINET).....	78
<b>TABLE 54</b> - ELECTRIC HEATER COILS.....	81
<b>TABLE 55</b> - DOOR AND SIDE PANEL ASSEMBLIES (EXTENDED CABINET) .....	83
<b>TABLE 56</b> - EXTERIOR UPRIGHT ASSEMBLIES (EXTENDED CABINET).....	87
<b>TABLE 57</b> - FILTERS, RIGID (EXTENDED CABINET) .....	91
<b>TABLE 58</b> - HOT WATER HEAT COILS (EXTENDED CABINET).....	95
<b>TABLE 59</b> - STEAM HEAT COILS (EXTENDED CABINET).....	95
<b>TABLE 60</b> - HOT WATER HEAT PIPING PARTS (EXTENDED CABINET).....	96
<b>TABLE 61</b> - CONDENSER COIL LANCED PANELS.....	101
<b>TABLE 62</b> - CONDENSER COIL WIRE GUARDS.....	101
<b>TABLE 63</b> - CONDENSER FANS AND FAN GUARDS .....	104
<b>TABLE 64</b> - CONDENSER FAN MOTORS.....	104
<b>TABLE 65</b> - CONDENSER FAN MOTOR VARIABLE FREQUENCY DRIVES .....	104
<b>TABLE 66</b> - CONDENSER COILS (R407C).....	107
<b>TABLE 67</b> - CONDENSER COILS (R22).....	107
<b>TABLE 68</b> - CONDENSER DISCHARGE HEADERS (R407C) .....	107
<b>TABLE 69</b> - CONDENSER LIQUID HEADERS (R407C).....	107
<b>TABLE 70</b> - CONDENSER LIQUID HEADERS (R22) .....	107
<b>TABLE 71</b> - CONDENSER DISCHARGE HEADERS (R22).....	108
<b>TABLE 72</b> - REFRIGERANT PIPING PARTS (R407C AND R22) .....	108
<b>TABLE 73</b> - COMPRESSORS, SCROLL (R407C) .....	110
<b>TABLE 74</b> - COMPRESSORS, SCROLL (R22).....	112
<b>TABLE 75</b> - COMPRESSOR SOUND BLANKET KITS .....	113
<b>TABLE 76</b> - THERMAL EXPANSION VALVES AND DISTRIBUTORS .....	120
<b>TABLE 77</b> - COMPRESSOR CRANKCASE HEATERS .....	121
<b>TABLE 78</b> - TRANSDUCERS, SWITCHES, AND SENSORS .....	122
<b>TABLE 79</b> - RETURN FAN MOTOR OVERLOAD RELAYS .....	123
<b>TABLE 80</b> - MISCELLANEOUS .....	123

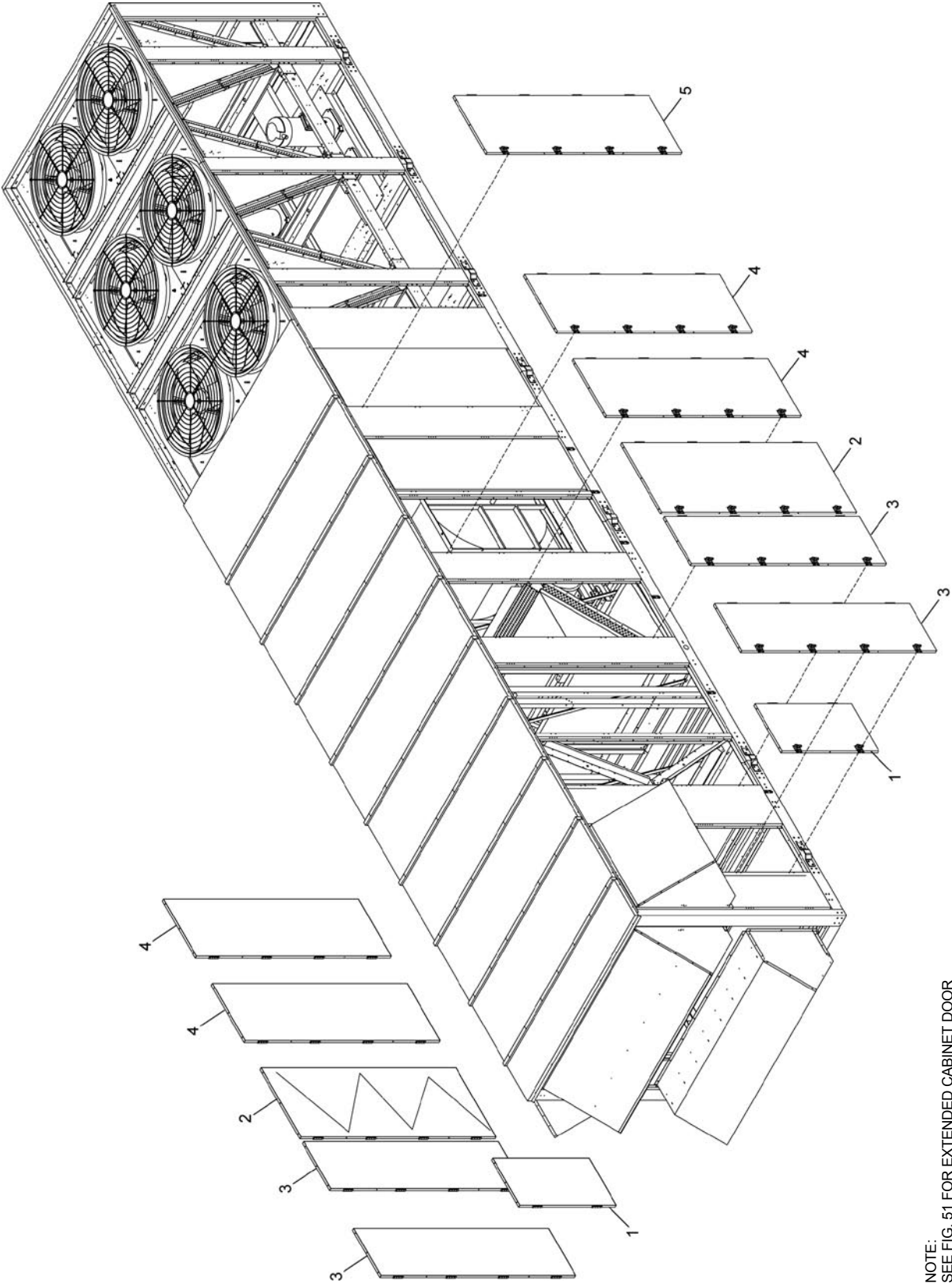
**TABLE 1 - DOOR ASSEMBLIES**

<b>FIGURE</b>	<b>ITEM</b>	<b>UNIT SIZE</b>	<b>DESCRIPTION</b>	<b>PART NUMBER</b>
1	1	50-65	HALF DOOR ASSEMBLY	385-00429-100
1	2		DOOR ASSEMBLY, 27" X 82"	385-00429-101
1	3		DOOR ASSEMBLY, 21" X 82"	385-00429-102
1	4		DOOR ASSEMBLY, GAS HEAT OPTION, 27" X 82"	385-00429-200
2	1	70-85	HALF DOOR ASSEMBLY	385-00429-103
2	2		DOOR ASSEMBLY, 33" X 92"	385-00429-104
2	3		DOOR ASSEMBLY, 22" X 92"	385-00429-105
2	4		DOOR ASSEMBLY, 27" X 92"	385-00429-103
2	5		DOOR ASSEMBLY, GAS HEAT OPTION, 27" X 92"	385-00429-107
3	1	90-105	HALF DOOR ASSEMBLY	385-00429-106
3	2		DOOR ASSEMBLY, 27" X 92"	385-00429-107
3	3		DOOR ASSEMBLY, GAS HEAT OPTION, 27" X 92"	385-00429-203
*	6	50-105	PAINT, TOUCH-UP, CHAMPAGNE	013-03355-000



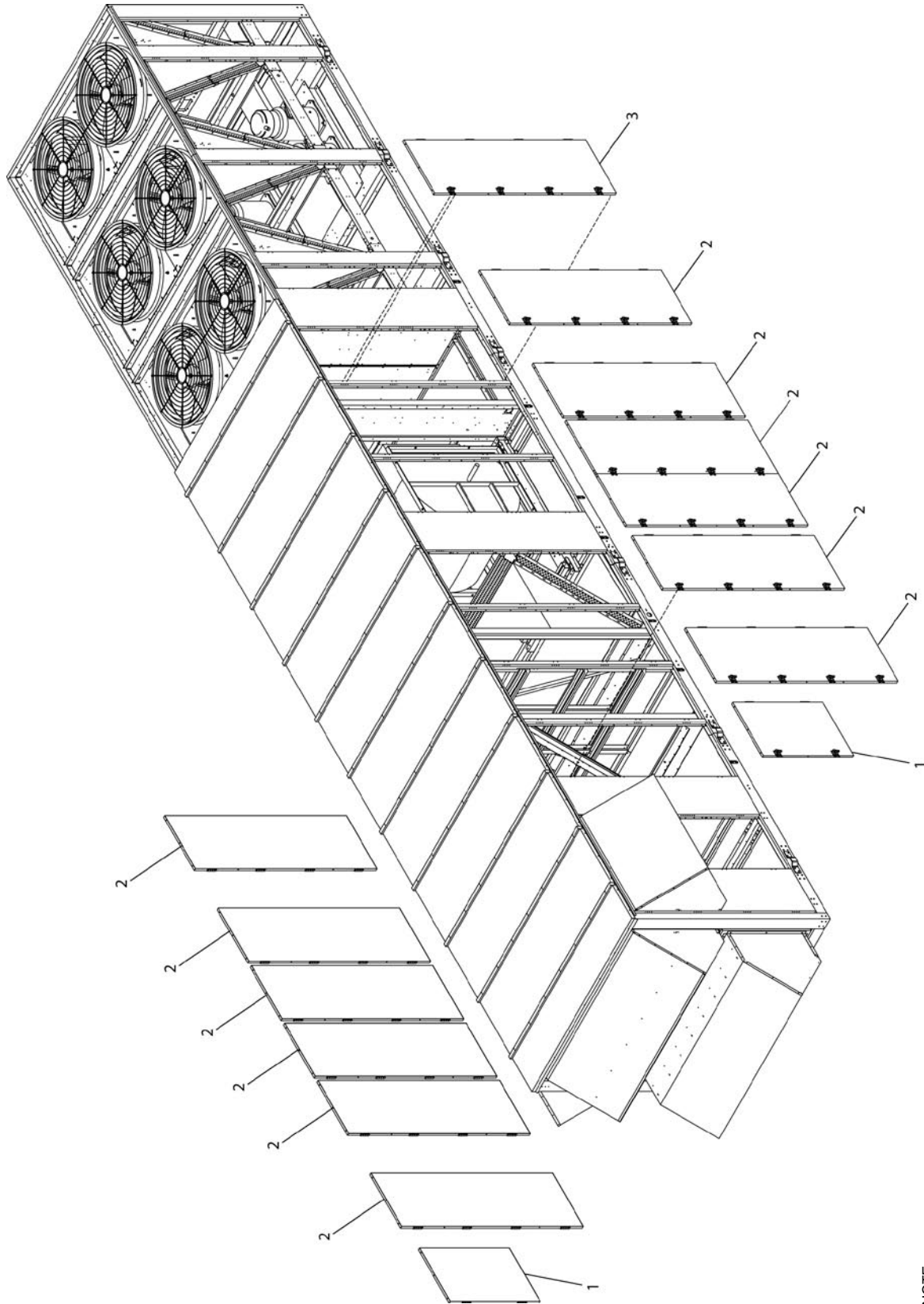
NOTE:  
SEE FIG. 50 FOR EXTENDED CABINET DOOR  
AND SIDE PANEL ASSEMBLIES (50-65 TON).

FIG. 1 - DOOR ASSEMBLIES AND SIDE PANEL ASSEMBLIES (50-65 TON)



NOTE:  
SEE FIG. 51 FOR EXTENDED CABINET DOOR  
AND SIDE PANEL ASSEMBLIES (70-85 TON).

FIG. 2 - DOOR ASSEMBLIES AND SIDE PANEL ASSEMBLIES (70-85 TON)



NOTE:  
SEE FIG. 52 FOR EXTENDED CABINET DOOR  
AND SIDE PANEL ASSEMBLIES (90-105 TON).

LD11780

**FIG. 3 - DOOR ASSEMBLIES AND SIDE PANEL ASSEMBLIES (90-95 TON)**

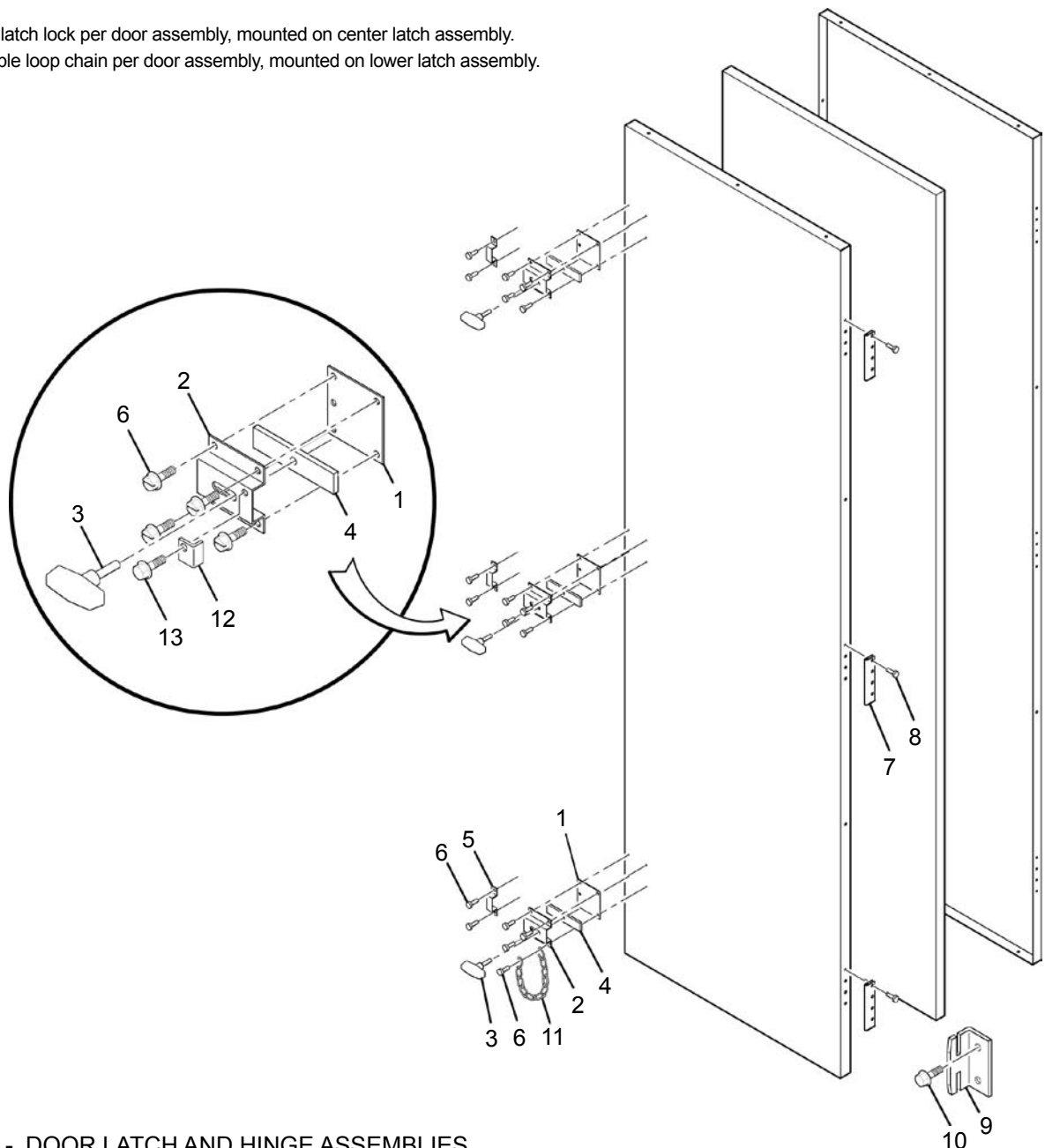
**TABLE 2 - DOOR LATCH AND HINGE ASSEMBLIES**

FIGURE	ITEM	DESCRIPTION	PART NUMBER
4	1	LATCH, DOOR, BACK PLATE	029-22030-000
4	2	LATCH, DOOR, TONGUE GUIDE	029-22029-000
4	3	KNOB, DOOR, TEE, .25_20	029-22027-000
4	4	LATCH, DOOR, TONGUE	029-22032-000
4	5	LATCH, DOOR, CATCH	029-22028-000
4	6	SCREW, HH, COAT, #10_5	021-19520-000
4	7	HINGE, DOOR, 1.5W_4L_ .063 THK	029-22026-000
4	8	SCREW, PHIL, PH, COAT, #10-16_5	021-13769-000
4	9	DOOR TIE BACK	085-20000-010
4	10	SCREW, HH COAT, .25-20_75	021-31337-000
4	11	CHAIN, DOUBLE LOOP, #5 **	012-06262-010
4	12	ANG DOOR LATCH LOCK *	085-20000-011
4	13	SCREW, TEK, PLTD, 10-24_5 *	021-13863-000

NOTES:

\* 1 door latch lock per door assembly, mounted on center latch assembly.

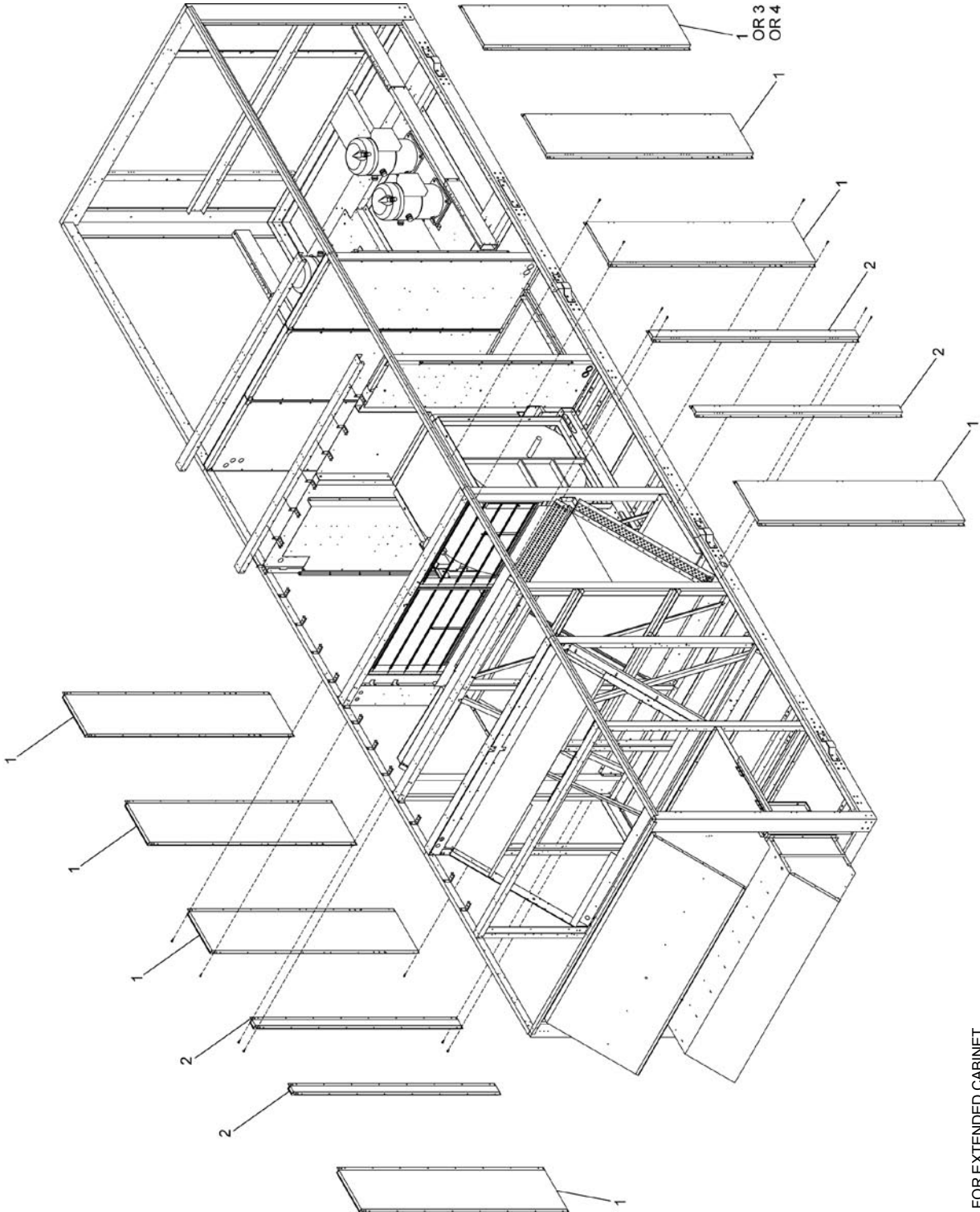
\*\* 1 double loop chain per door assembly, mounted on lower latch assembly.



**FIG. 4 - DOOR LATCH AND HINGE ASSEMBLIES**

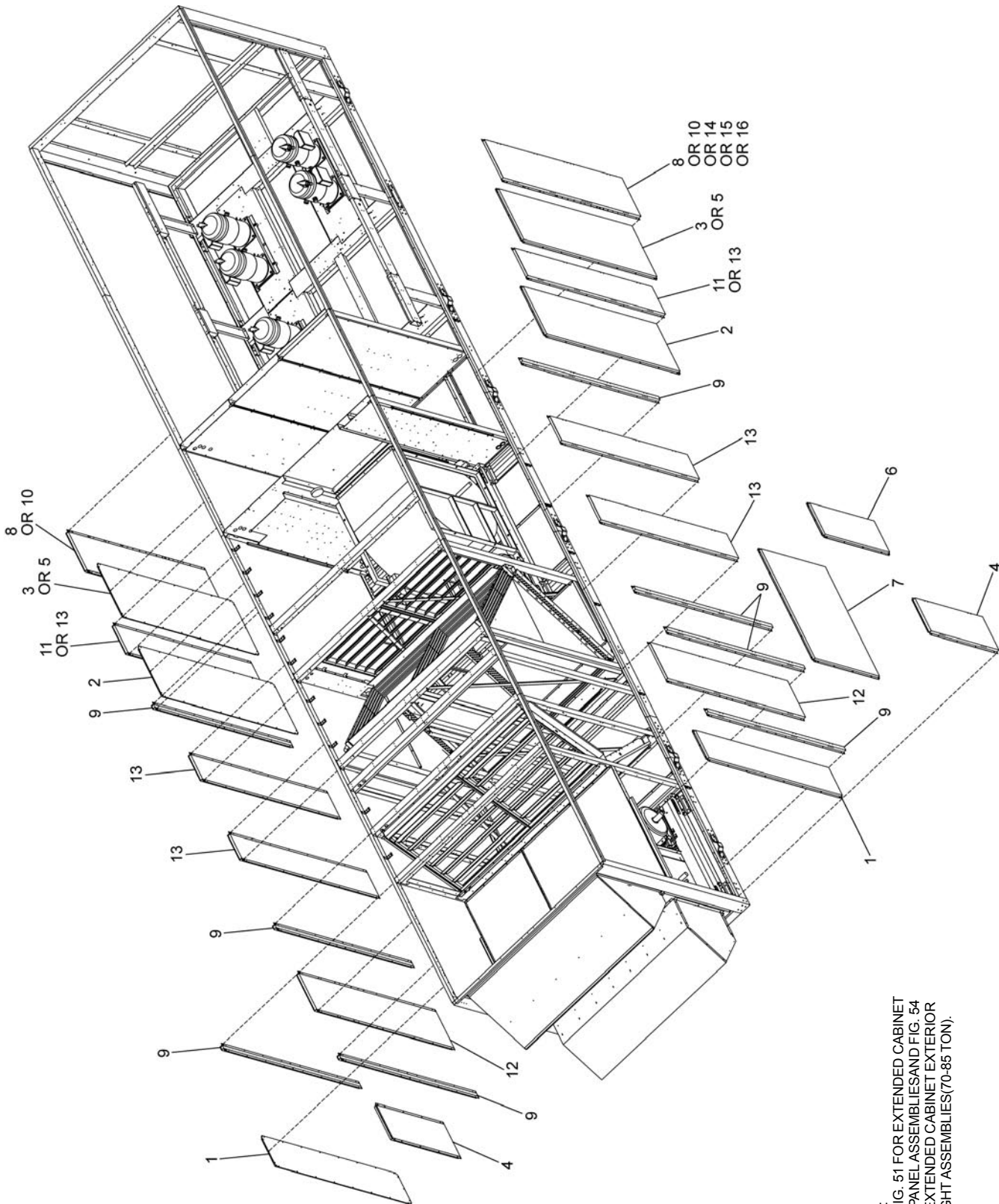
**TABLE 3 - EXTERIOR UPRIGHT ASSEMBLIES**

FIGURE	ITEM	UNIT SIZE	DESCRIPTION	PART NUMBER
5	1	50-65	UPRIGHT ASSEMBLY, 18.75" X 82"	385-00434-102
5	2		UPRIGHT ASSEMBLY, 4.75" X 82"	385-00434-103
5	3		UPRIGHT ASSEMBLY, GAS HEAT, SINGLE FLUE, 18.75" X 82"	385-00434-200
5	4		UPRIGHT ASSEMBLY, GAS HEAT, DOUBLE FLUE, 18.75" X 82"	385-00434-201
6	8	70-85	UPRIGHT ASSEMBLY, 22.36" X 92"	385-00434-301
6	9		UPRIGHT ASSEMBLY, 3.75" X 92"	385-00434-302
6	10		UPRIGHT ASSEMBLY, 13" X 92"	385-00434-305
6	11		UPRIGHT ASSEMBLY, 16.64" X 92"	385-00434-306
6	12		UPRIGHT ASSEMBLY, 21.25" X 92"	385-00434-307
6	13		UPRIGHT ASSEMBLY, 15" X 92"	385-00434-308
6	14		UPRIGHT ASSEMBLY, GAS HEAT, SINGLE FLUE, 22.36" X 92"	385-00434-400
6	15		UPRIGHT ASSEMBLY, GAS HEAT, DOUBLE FLUE, 22.36" X 92"	385-00434-401
6	16		UPRIGHT ASSEMBLY, GAS HEAT, TRIPLE FLUE, 22.36" X 92"	385-00434-402
7	8	90-105	UPRIGHT ASSEMBLY, 24.53" X 92"	385-00434-300
7	9		UPRIGHT ASSEMBLY, 22.36" X 92"	385-00434-301
7	10		UPRIGHT ASSEMBLY, 3.75" X 92"	385-00434-302
7	11		UPRIGHT ASSEMBLY, FILTER SECTION, 3.75" X 92"	385-00434-303
7	12		UPRIGHT ASSEMBLY, 8.25" X 92"	385-00434-304
7	13		UPRIGHT ASSEMBLY, 13" X 92"	385-00434-305
7	14		UPRIGHT ASSEMBLY, GAS HEAT, SINGLE FLUE, 22.36" X 92"	385-00434-400
7	15		UPRIGHT ASSEMBLY, GAS HEAT, DOUBLE FLUE, 22.36" X 92"	385-00434-401
7	16		UPRIGHT ASSEMBLY, GAS HEAT, TRIPLE FLUE, 22.36" X 92"	385-00434-402



NOTE:  
SEE FIG. 53 FOR EXTENDED CABINET  
EXTERIOR UPRIGHT ASSEMBLIES (50-65 TON).

**FIG. 5 - EXTERIOR UPRIGHT ASSEMBLIES (50-65 TON)**

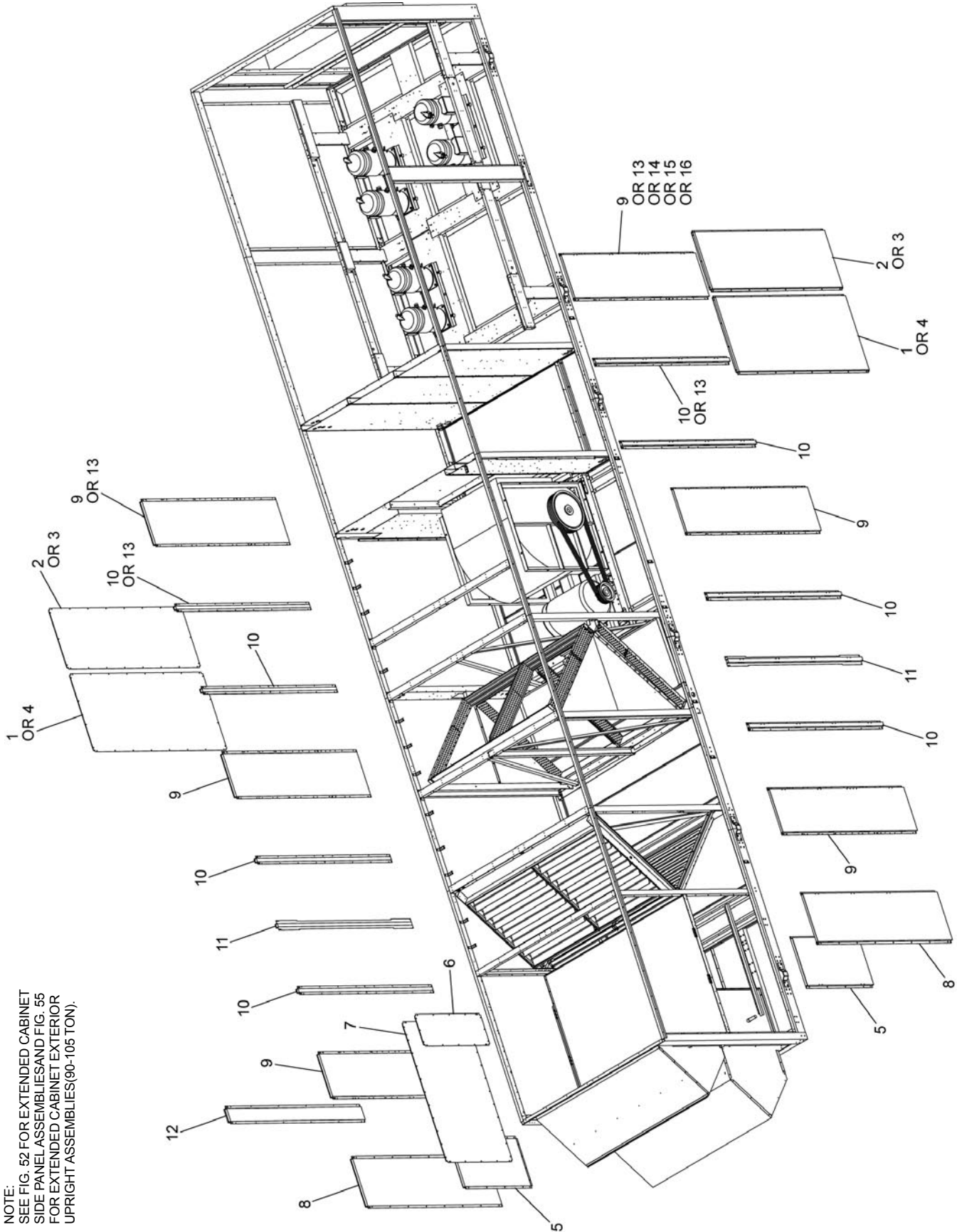


NOTE:  
SEE FIG. 51 FOR EXTENDED CABINET  
SIDE PANEL ASSEMBLIES AND FIG. 54  
FOR EXTENDED CABINET EXTERIOR  
UPRIGHT ASSEMBLIES (70-85 TON).

LD11782

**FIG. 6 - EXTERIOR UPRIGHT ASSEMBLIES (70-85 TON)**

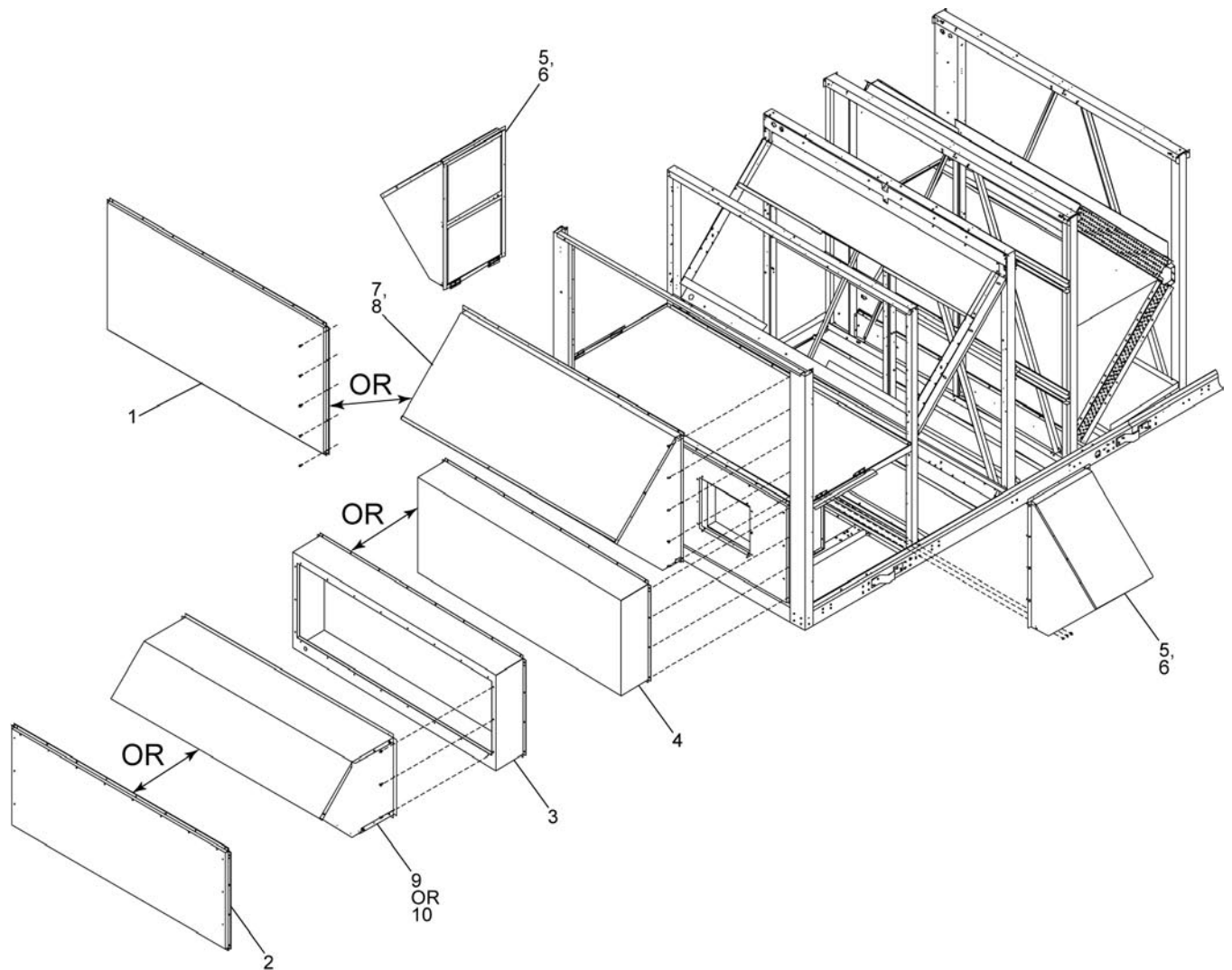
NOTE:  
SEE FIG. 52 FOR EXTENDED CABINET  
SIDE PANEL ASSEMBLIES AND FIG. 55  
FOR EXTENDED CABINET EXTERIOR  
UPRIGHT ASSEMBLIES (90-105 TON).



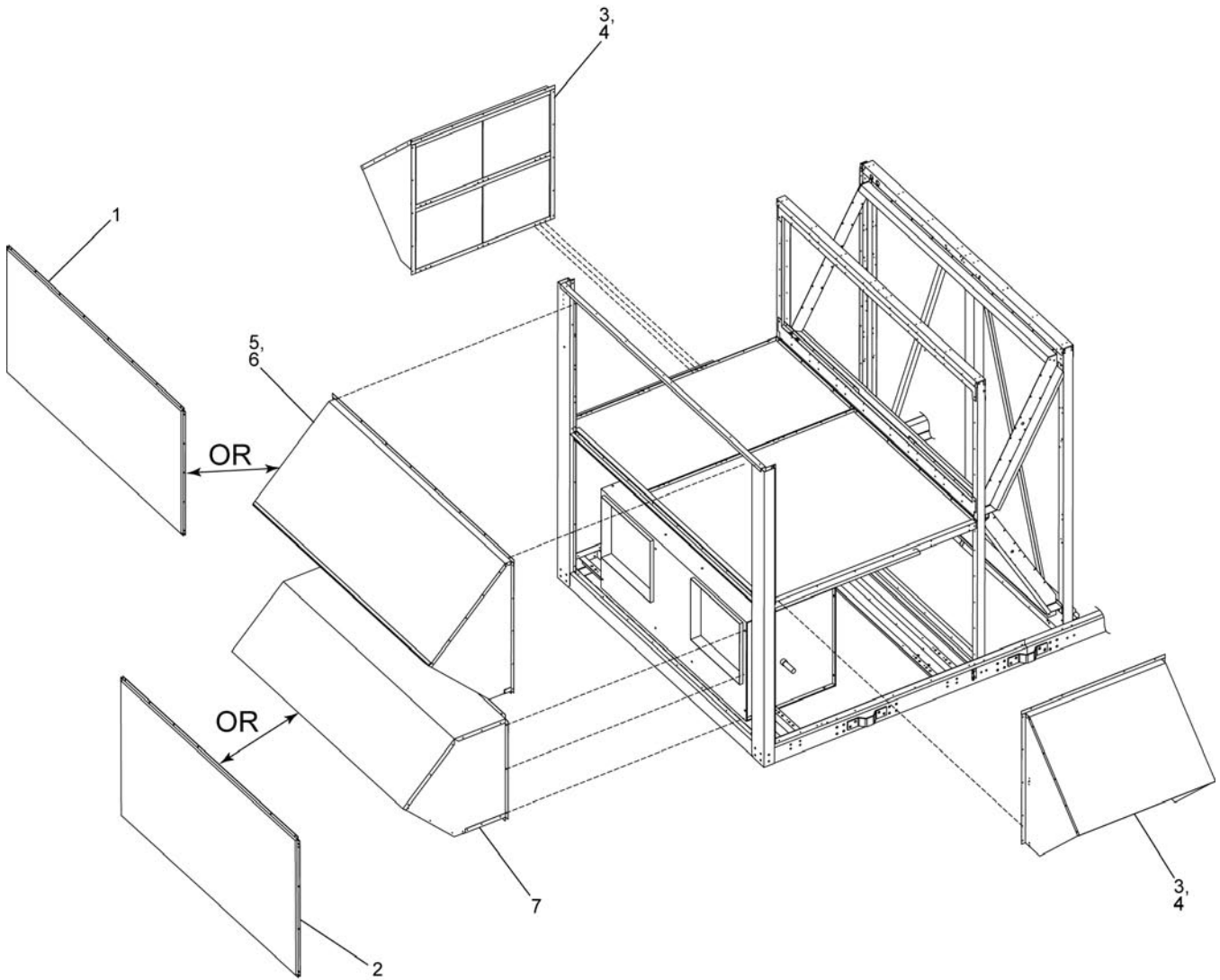
**FIG. 7 - EXTERIOR UPRIGHT ASSEMBLIES (90-95 TON)**

**TABLE 4 - PANEL ASSEMBLIES**

FIGURE	ITEM	UNIT SIZE	DESCRIPTION	PART NUMBER
8	1	50-65	TOP END PANEL ASSEMBLY	385-00431-100
8	2		BOTTOM END PANEL ASSEMBLY	385-00431-101
8	3		RETURN FAN PANEL ASSEMBLY WITH OPENING	385-00432-110
8	4		RETURN FAN PANEL ASSEMBLY WITHOUT OPENING	385-00432-111
1	5		SIDE PANEL ASSEMBLY, 27" X 82"	385-00431-102
9	1	70-85	TOP END PANEL ASSEMBLY	385-00431-100
6	1		SIDE PANEL ASSEMBLY, 14.75" X 92"	385-00431-103
6	2		SIDE PANEL ASSEMBLY, 25.365" X 92"	385-00431-104
6	3		SIDE PANEL ASSEMBLY, 38" X 92"	385-00431-105
6	4		HALF PANEL ASSEMBLY	385-00431-106
9	2		BOTTOM END PANEL ASSEMBLY	385-00431-109
6	5		SIDE PANEL ASSEMBLY, 27" X 92"	385-00431-110
6	6		SIDE PANEL ASSEMBLY, RETURN WITH OUTSIDE AIR	385-00431-115
6	7		SIDE PANEL ASSEMBLY, RETURN WITHOUT OUTSIDE AIR	385-00431-116
10	1		90-105	TOP END PANEL ASSEMBLY
7	1	SIDE PANEL ASSEMBLY, 21.375" X 92"		385-00431-107
7	2	SIDE PANEL ASSEMBLY, 41" X 92"		385-00431-108
10	2	BOTTOM END PANEL ASSEMBLY		385-00431-109
7	3	SIDE PANEL ASSEMBLY, 27" X 92"		385-00431-110
7	4	SIDE PANEL ASSEMBLY, 35.216" X 92"		385-00431-111
7	5	HALF PANEL ASSEMBLY		385-00431-112
7	6	SIDE PANEL ASSEMBLY, RETURN WITH OUTSIDE AIR		385-00431-113
7	7	SIDE PANEL ASSEMBLY, RETURN WITHOUT OUTSIDE AIR		385-00431-114

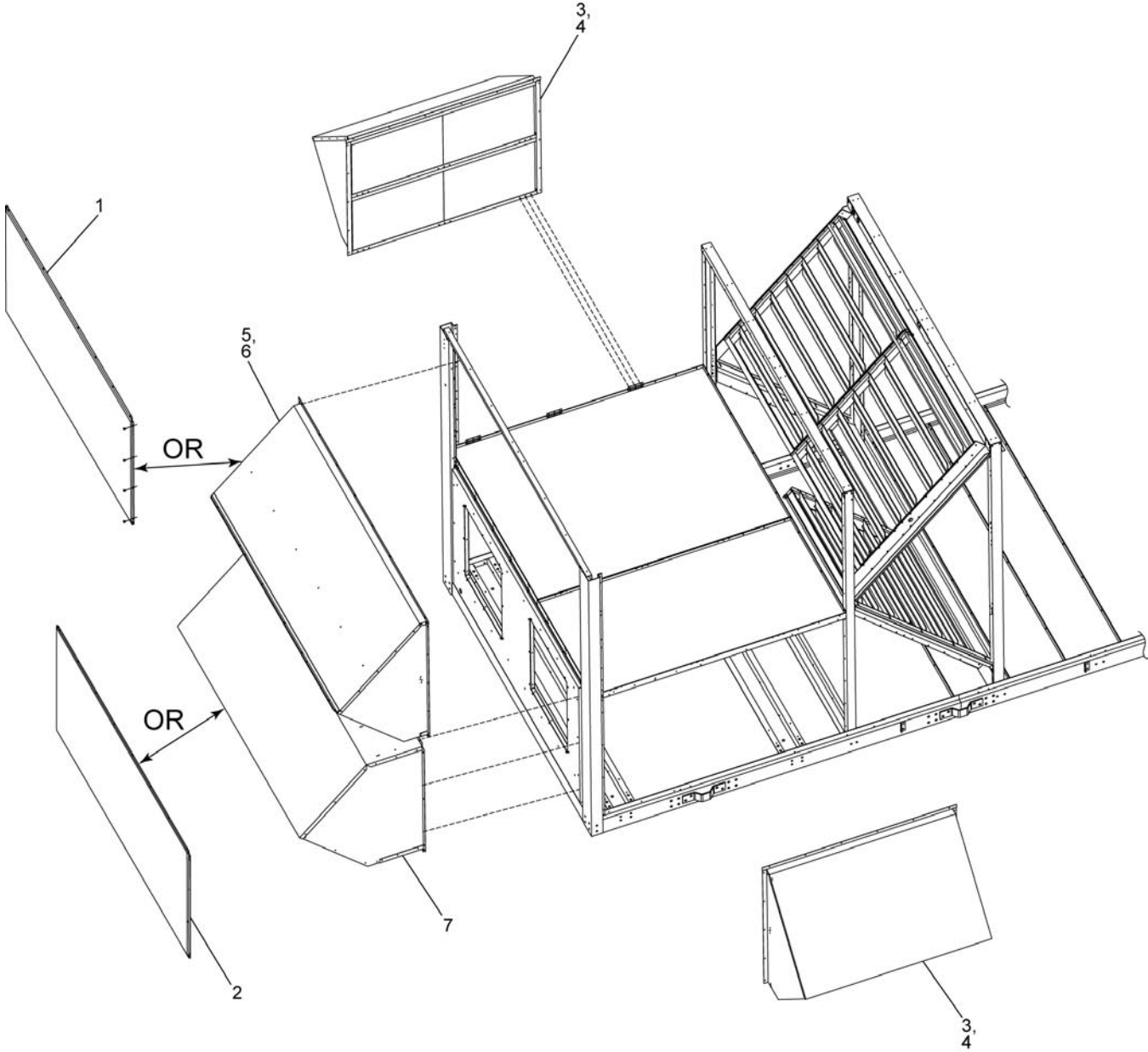


**FIG. 8 -** SIDE, REAR, AND EXHAUST HOODS AND TOP, BOTTOM, AND RETURN PANELS (50-65 TON)



**FIG. 9 -** SIDE, REAR, AND EXHAUST HOODS AND TOP, BOTTOM, AND RETURN PANELS (70-85 TON)

LD11785



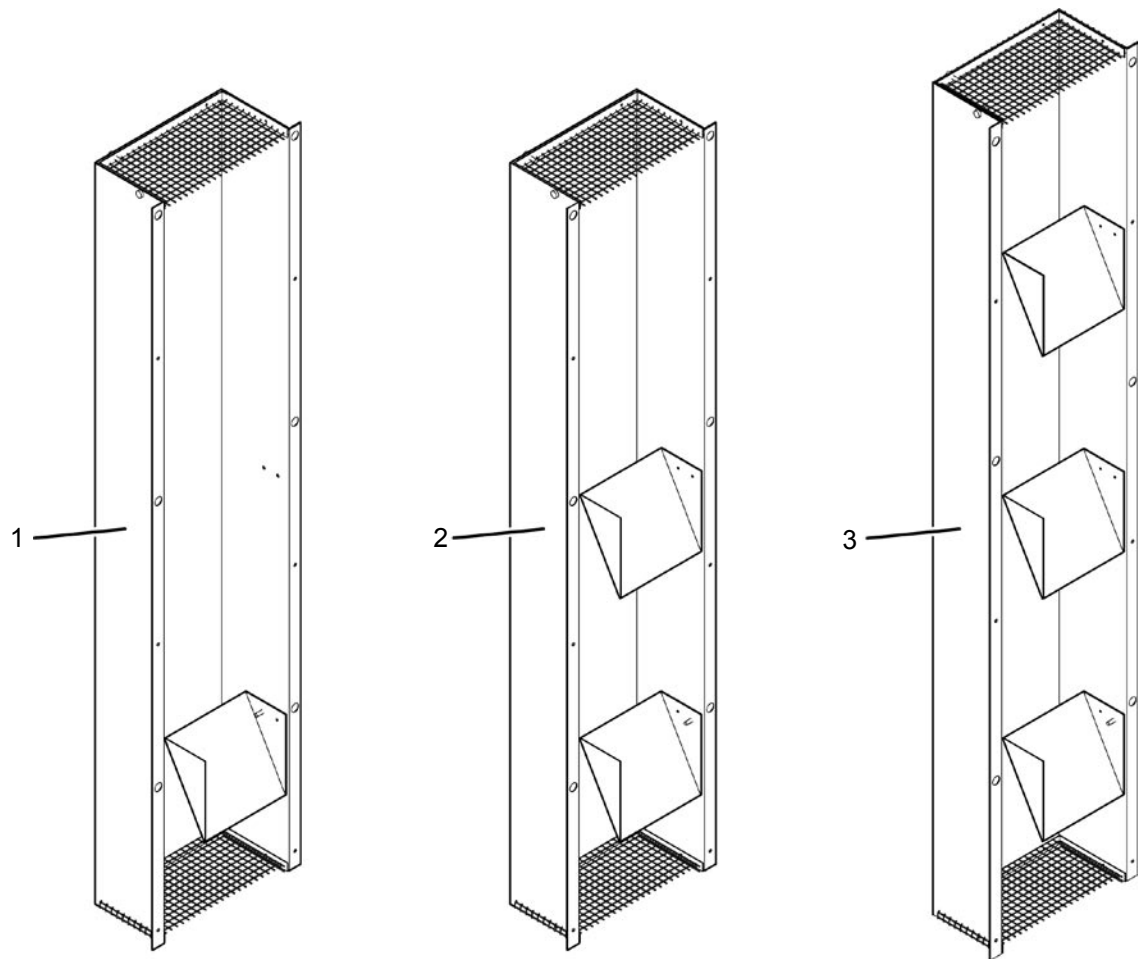
**FIG. 10 - SIDE, REAR, AND EXHAUST HOODS AND TOP, BOTTOM, AND RETURN PANELS (90-95 TON)**

**TABLE 5 - HOOD ASSEMBLIES AND FILTERS**

<b>FIGURE</b>	<b>ITEM</b>	<b>UNIT SIZE</b>	<b>DESCRIPTION</b>	<b>PART NUMBER</b>
8	5	50-65	SIDE HOOD ASSEMBLY	385-00435-100
8	6		CLEANABLE FILTER FOR SIDE HOOD ASSEMBLY	026-36381-000
8	7		REAR HOOD ASSEMBLY	385-00436-100
8	8		CLEANABLE FILTER FOR REAR HOOD ASSEMBLY	026-36381-000
8	9		EXHAUST HOOD ASSEMBLY	385-00437-100
8	10		RETURN HOOD ASSEMBLY	385-00437-110
9	3	70-85	SIDE HOOD ASSEMBLY	385-00435-200
9	4		CLEANABLE FILTER FOR SIDE HOOD ASSEMBLY	385-36405-000
9	5		REAR HOOD ASSEMBLY	385-00436-100
9	6		CLEANABLE FILTER FOR REAR HOOD ASSEMBLY	026-36381-000
9	7		RETURN HOOD ASSEMBLY	385-00437-200
10	3	90-105	SIDE HOOD ASSEMBLY	385-00435-300
10	4		CLEANABLE FILTER FOR SIDE HOOD ASSEMBLY	026-36381-000
10	5		REAR HOOD ASSEMBLY	385-00436-100
10	6		CLEANABLE FILTER FOR REAR HOOD ASSEMBLY	026-36381-000
10	7		RETURN HOOD ASSEMBLY	385-00437-300

**TABLE 6 - CHIMNEY ASSEMBLIES**

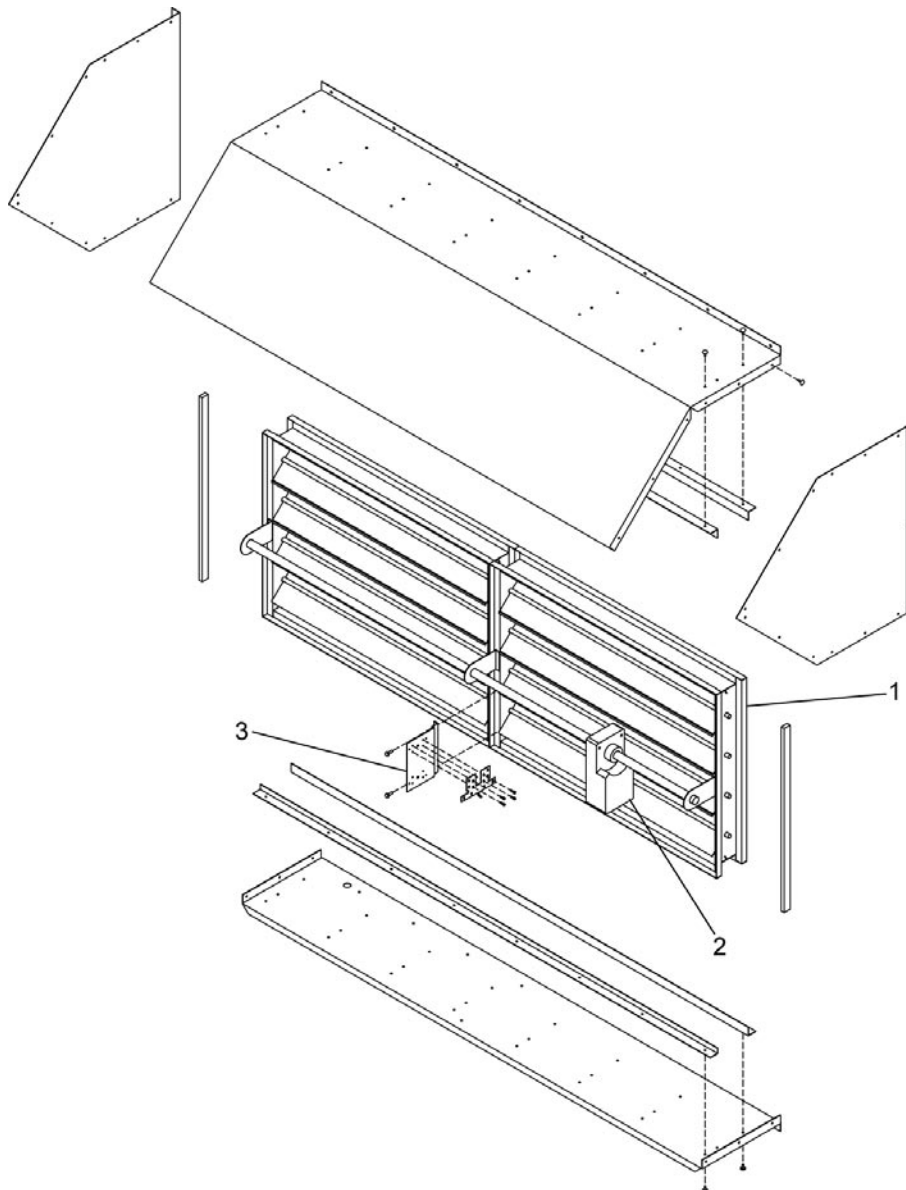
FIGURE	ITEM	UNIT SIZE	DESCRIPTION	PART NUMBER
11	1	50-65	CHIMNEY ASSY, SINGLE	385-00438-202
11	2		CHIMNEY ASSY, DOUBLE	385-00438-203
11	1	70-105	CHIMNEY ASSY, SINGLE	385-00438-213
11	2		CHIMNEY ASSY, DOUBLE	385-00438-214
11	3		CHIMNEY ASSY, TRIPLE	385-00438-215



**FIG. 11 - CHIMNEY ASSEMBLIES**

**TABLE 7 - EXHAUST DAMPERS AND ACTUATORS**

FIGURE	ITEM	UNIT SIZE	DESCRIPTION	PART NUMBER
12	1	50-65	BARAMETRIC RELIEF DAMPR, 26.5" X 75.5"	026-40702-000
12	1		CONTROL DAMPER, 26.5" X 75.5"	026-40701-000
12	1	70-85	BARAMETRIC RELIEF DAMPR, 32" X 75.5"	026-40702-001
12	1		CONTROL DAMPER, 32" X 75.5"	026-40701-001
12	1	90-105	BARAMETRIC RELIEF DAMPR, 37.5" X 75.5"	026-40702-002
12	1		CONTROL DAMPER, 37.5" X 75.5"	026-40701-002
12	2	50-105	ACTUATOR, JCI	025-35774-016
12	2		ACTUATOR, BELIMO	025-30958-009
12	3		BRACKET, ACTUATOR MOUTING	285-01432-000

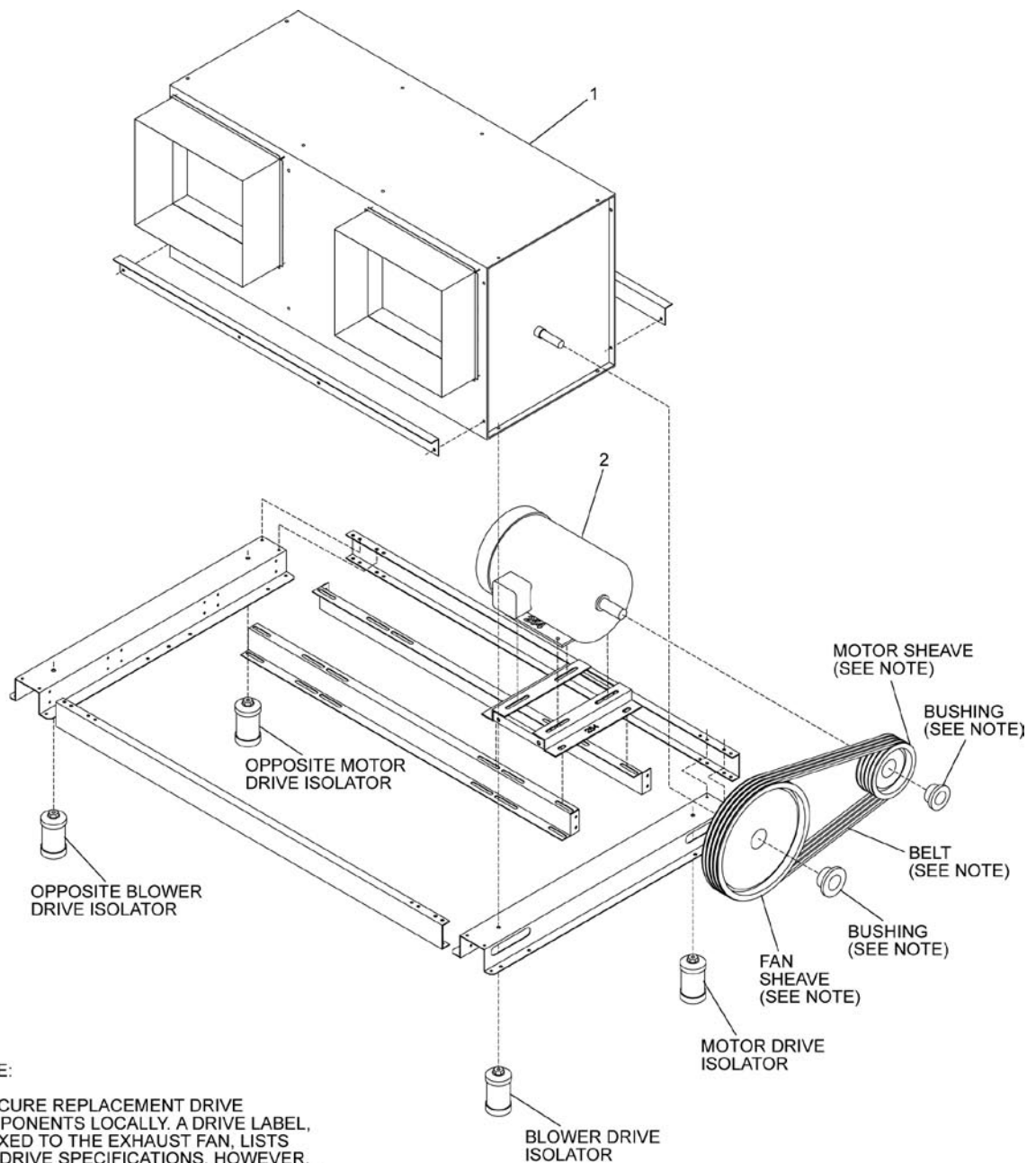


**FIG. 12 - EXHAUST DAMPERS AND ACTUATORS**

LD11787

**TABLE 8 - EXHAUST FANS**

FIGURE	ITEM	UNIT SIZE	RETURN AIR LOCATION	MOTOR HP	SIZE	CLASS	PART NUMBER
13	1	50-65	BOTTOM OR RIGHT	5, 7.5, 10	15-15	1	026-36358-000
13	1		LEFT	5, 7.5, 10	15-15	1	026-36435-000
13	1		BOTTOM OR RIGHT	5, 7.5, 10, 15, 20	18-18	1	026-36359-000
13	1		LEFT	5, 7.5, 10, 15, 20	18-18	1	026-36406-000
13	1	70-105	BOTTOM OR RIGHT	5, 7.5, 10, 15, 20	18-18	1	026-36359-000
13	1		LEFT	5, 7.5, 10, 15, 20	18-18	1	026-36406-000
13	1		BOTTOM OR RIGHT	5, 7.5, 10, 15, 20, 25, 30	20-18	1	026-36438-000
13	1		LEFT	5, 7.5, 10, 15, 20, 25, 30	20-18	1	026-36439-000



**NOTE:**  
 PROCURE REPLACEMENT DRIVE COMPONENTS LOCALLY. A DRIVE LABEL, AFFIXED TO THE EXHAUST FAN, LISTS THE DRIVE SPECIFICATIONS. HOWEVER, DUE TO POSSIBLE CHANGES IN THE FIELD, REPLACEMENT PARTS MUST BE VERIFIED AGAINST INSTALLED PARTS SINCE THE INSTALLED PARTS MAY NOT MATCH THE LABEL.

**FIG. 13 - EXHAUST FANS, MOTORS, ISOLATORS, AND DRIVE COMPONENTS**

**TABLE 9 - EXHAUST FAN MOTORS, ODP, 3-PHASE, 60 HERTZ**

FIGURE	ITEM	UNIT SIZE	MOTOR HP	VOLTAGE	STANDARD EFFICIENCY PART NUMBER	HIGH EFFICIENCY PART NUMBER
13	2	50-105	5	200	024-23936-000	024-27056-000
13	2			230	024-23929-000	024-27057-000
13	2			380	024-26234-000	NA
13	2			460	024-23929-000	024-27057-000
13	2			575	024-27009-000	024-27371-000
13	2		7.5	200	024-23937-000	024-27058-000
13	2			230	024-23930-000	024-27059-000
13	2			380	024-26235-000	NA
13	2			460	024-23930-000	024-27059-000
13	2			575	024-27010-000	024-27372-000
13	2		10	200	024-23938-000	024-27060-000
13	2			230	024-23931-000	024-27062-000
13	2			380	024-26236-000	NA
13	2			460	024-23931-000	024-27062-000
13	2			575	024-27011-000	024-27373-000
13	2		15	200	024-23939-000	024-27063-000
13	2			230	024-23932-000	024-27064-000
13	2			380	024-26237-000	NA
13	2			460	024-23932-000	024-27064-000
13	2			575	024-27012-000	024-27374-000
13	2	20	200	024-23940-000	024-27065-000	
13	2		230	024-23933-000	024-27066-000	
13	2		380	024-26238-000	NA	
13	2		460	024-23933-000	024-27066-000	
13	2		575	024-27013-000	024-27375-000	
13	2	70-105	25	200	024-23941-000	024-27067-000
13	2			230	024-23934-000	024-27068-000
13	2			380	024-26239-000	NA
13	2			460	024-23934-000	024-27068-000
13	2			575	024-27014-000	024-27376-000
13	2		30	200	024-26265-000	024-27069-000
13	2			230	024-23191-000	024-27070-000
13	2			380	024-26240-000	NA
13	2			460	024-23191-000	024-27070-000
13	2			575	024-27015-000	024-27377-000

**TABLE 10 - EXHAUST FAN MOTORS, TEFC, 3-PHASE, 60 HERTZ**

FIGURE	ITEM	UNIT SIZE	MOTOR HP	VOLTAGE	STANDARD EFFICIENCY PART NUMBER	HIGH EFFICIENCY PART NUMBER
13	2	50-105	5	200	024-23922-000	024-27083-000
13	2			230	024-23915-000	024-27084-000
13	2			380	024-26249-000	NA
13	2			460	024-23915-000	024-27084-000
13	2			575	024-27041-000	024-27343-000
13	2		7.5	200	024-23923-000	024-27085-000
13	2			230	024-23916-000	024-27086-000
13	2			380	024-26250-000	NA
13	2			460	024-23916-000	024-27086-000
13	2			575	024-27042-000	024-27345-000
13	2		10	200	024-23924-000	024-27087-000
13	2			230	024-23917-000	024-27088-000
13	2			380	024-26251-000	NA
13	2			460	024-23917-000	024-27088-000
13	2			575	024-27043-000	024-27347-000
13	2		15	200	024-23925-000	024-27089-000
13	2			230	024-23918-000	024-27090-000
13	2			380	024-26252-000	NA
13	2			460	024-23918-000	024-27090-000
13	2			575	024-27314-000	024-27349-000
13	2	20	200	024-27336-000	024-27097-000	
13	2		230	024-23919-000	024-27098-000	
13	2		380	024-26253-000	NA	
13	2		460	024-23919-000	024-27098-000	
13	2		575	024-27029-000	024-27351-000	
13	2	70-105	25	200	024-27338-000	024-27099-000
13	2			230	024-23920-000	024-27300-000
13	2			380	024-26254-000	NA
13	2			460	024-23920-000	024-27300-000
13	2			575	024-27030-000	024-27353-000
13	2		30	200	024-26271-000	024-30744-000
13	2			230	024-26282-000	024-27301-000
13	2			380	024-26255-000	NA
13	2			460	024-26282-000	024-27301-000
13	2			575	024-27031-000	024-27355-000

**TABLE 11 - EXHAUST FAN MOTORS, ODP AND TEFC, 3-PHASE, 50 HERTZ**

FIGURE	ITEM	UNIT SIZE	MOTOR HP	VOLTAGE	ODP STANDARD EFFICIENCY PART NUMBER	TEFC STANDARD EFFICIENCY PART NUMBER
13	2	50-105	5	400	024-27323-000	024-27331-000
13	2		7.5	400	024-27324-000	024-27332-000
13	2		10	400	024-27325-000	024-27334-000
13	2		15	400	024-27326-000	024-27335-000
13	2		20	400	024-27327-000	024-27337-000
13	2	70-105	25	400	024-27379-000	024-27339-000
13	2		30	400	024-27381-000	024-27340-000

**TABLE 12 - EXHAUST FAN ONE-INCH SPRING ISOLATORS**

FIGURE	UNIT SIZE	FAN SIZE	MOTOR HP	BLOWER DRIVE	OPPOSITE BLOWER DRIVE	MOTOR DRIVE	OPPOSITE MOTOR DRIVE
13	50-65	15-15	5	029-21363-002	029-21363-001	029-21363-002	029-21363-001
13			7.5	029-21363-002	029-21363-001	029-21363-003	029-21363-001
13			10	029-21363-002	029-21363-001	029-21363-004	029-21363-002
13		18-18	5	029-21363-002	029-21363-001	029-21363-002	029-21363-001
13			7.5	029-21363-002	029-21363-001	029-21363-003	029-21363-002
13			10	029-21363-002	029-21363-001	029-21363-004	029-21363-002
13			15	029-21363-002	029-21363-001	029-21363-005	029-21363-002
13			20	029-21363-003	029-21363-001	029-21363-006	029-21363-002
13	70-105	18-18	5	029-21363-002	029-21363-001	029-21363-002	029-21363-002
13			7.5	029-21363-002	029-21363-001	029-21363-003	029-21363-002
13			10	029-21363-002	029-21363-001	029-21363-004	029-21363-002
13			15	029-21363-003	029-21363-001	029-21363-005	029-21363-002
13			20	029-21363-003	029-21363-001	029-21363-006	029-21363-003
13		20-18	5	029-21363-002	029-21363-002	029-21363-003	029-21363-002
13			7.5	029-21363-003	029-21363-002	029-21363-004	029-21363-002
13			10	029-21363-003	029-21363-002	029-21363-004	029-21363-002
13			15	029-21363-004	029-21363-002	029-21363-005	029-21363-003
13			20	029-21363-004	029-21363-002	029-21363-006	029-21363-003
13			25	029-21363-004	029-21363-002	029-21363-006	029-21363-004
13			30	029-21363-004	029-21363-002	029-21363-006	029-21363-004

**TABLE 13 - EXHAUST FAN MOTORS TWO-INCH SPRING ISOLATORS**

FIGURE	UNIT SIZE	FAN SIZE	MOTOR HP	BLOWER DRIVE	OPPOSITE BLOWER DRIVE	MOTOR DRIVE	OPPOSITE MOTOR DRIVE	
13	50-65	15-15	5	029-21330-602	029-21330-601	029-21330-603	029-21330-601	
13			7.5	029-21330-602	029-21330-601	029-21330-603	029-21330-601	
13			10	029-21330-602	029-21330-601	029-21330-604	029-21330-602	
13		18-18	5	029-21330-602	029-21330-601	029-21330-603	029-21330-601	
13			7.5	029-21330-602	029-21330-601	029-21330-603	029-21330-602	
13			10	029-21330-602	029-21330-601	029-21330-604	029-21330-602	
13			15	029-21330-603	029-21330-601	029-21330-606	029-21330-603	
13			20	029-21330-603	029-21330-601	029-21330-606	029-21330-603	
13		70-105	18-18	5	029-21330-602	029-21330-601	029-21330-603	029-21330-602
13				7.5	029-21330-602	029-21330-601	029-21330-604	029-21330-602
13				10	029-21330-603	029-21330-601	029-21330-604	029-21330-602
13				15	029-21330-603	029-21330-601	029-21330-606	029-21330-603
13				20	029-21330-603	029-21330-601	029-21330-606	029-21330-603
13			20-18	5	029-21330-603	029-21330-602	029-21330-603	029-21330-602
13	7.5			029-21330-603	029-21330-602	029-21330-604	029-21330-602	
13	10			029-21330-603	029-21330-602	029-21330-604	029-21330-603	
13	15			029-21330-604	029-21330-602	029-21330-606	029-21330-603	
13	20			029-21330-604	029-21330-602	029-21330-606	029-21330-604	
13	25			029-21330-604	029-21330-602	029-21330-606	029-21330-604	
13	30			029-21330-604	029-21330-602	029-21330-606	029-21330-604	

**TABLE 14 - EXHAUST FAN MOTORS ONE-HALF-INCH NEOPRENE ISOLATORS**

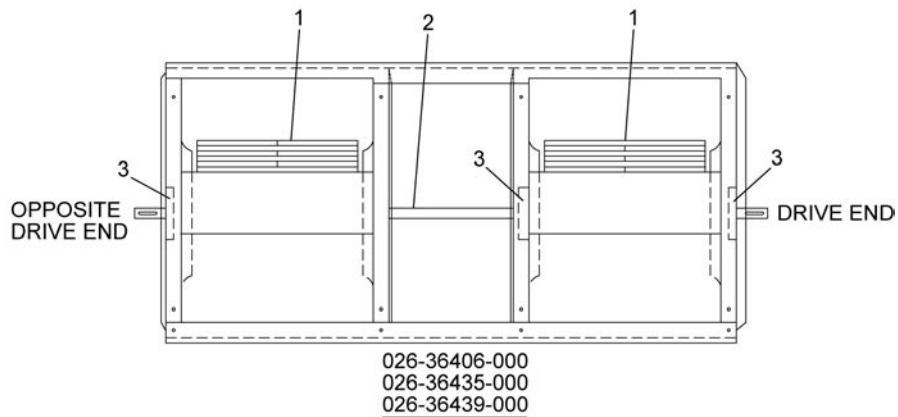
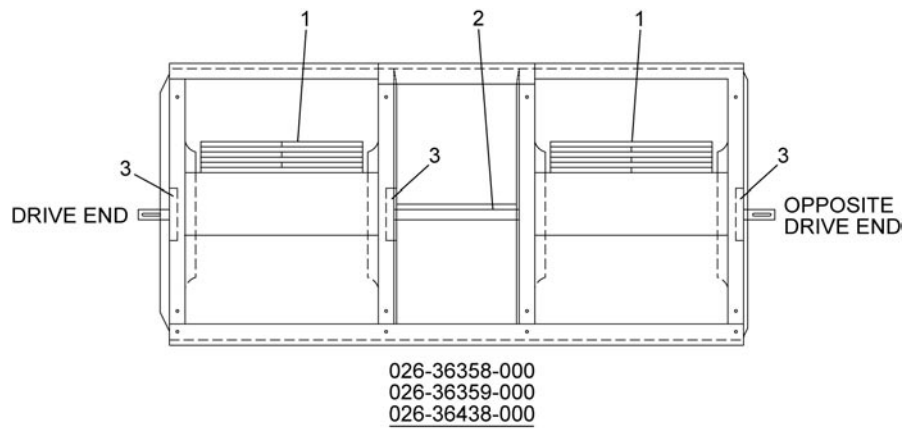
FIGURE	UNIT SIZE	FAN SIZE	MOTOR HP	BLOWER DRIVE	OPPOSITE BLOWER DRIVE	MOTOR DRIVE	OPPOSITE MOTOR DRIVE	
13	50-65	15-15	5	028-11957-002	028-11957-002	028-11957-003	028-11957-002	
13			7.5	028-11957-002	028-11957-002	028-11957-004	028-11957-002	
13			10	028-11957-002	028-11957-002	028-11957-004	028-11957-002	
13		18-18	5	028-11957-002	028-11957-002	028-11957-003	028-11957-002	
13			7.5	028-11957-002	028-11957-002	028-11957-004	028-11957-002	
13			10	028-11957-003	028-11957-002	028-11957-004	028-11957-002	
13			15	028-11957-003	028-11957-002	028-11957-005	028-11957-003	
13			20	028-11957-003	028-11957-002	028-11957-005	028-11957-003	
13		70-105	18-18	5	028-11957-002	028-11957-002	028-11957-003	028-11957-002
13				7.5	028-11957-003	028-11957-002	028-11957-004	028-11957-002
13				10	028-11957-003	028-11957-002	028-11957-004	028-11957-002
13				15	028-11957-003	028-11957-002	028-11957-005	028-11957-003
13				20	028-11957-004	028-11957-002	028-11957-005	028-11957-003
13			20-18	5	028-11957-003	028-11957-002	028-11957-003	028-11957-002
13	7.5			028-11957-003	028-11957-002	028-11957-004	028-11957-002	
13	10			028-11957-004	028-11957-002	028-11957-004	028-11957-003	
13	15			028-11957-004	028-11957-002	028-11957-005	028-11957-004	
13	20			028-11957-004	028-11957-002	028-11957-005	028-11957-004	
13	25			028-11957-004	028-11957-002	028-11957-006	028-11957-004	
13	30			028-11957-004	028-11957-002	028-11957-006	028-11957-004	

**TABLE 15 - ISOLATOR PART NUMBER IDENTIFICATION BY COLOR**

ONE INCH SPRING ISOLATORS		TWO INCH SPRING ISOLATORS	
COLOR	PART NUMBER	COLOR	PART NUMBER
BLUE	029-21363-001	BLUE	029-21330-601
BLUE/PINK	029-21363-002	YELLOW	029-21330-602
BLUE/BLACK	029-21363-003	BLACK	029-21330-603
BLUE/BLUE	029-21363-004	PURPLE	029-21330-604
BLACK	029-21363-005	RED	029-21330-606
BLACK/YELLOW	029-21363-006	RED/BLACK	029-21330-607
RED/BROWN	029-21363-008	RED/GREEN	029-21330-608

**TABLE 16 - EXHAUST FAN REPLACEMENT PARTS**

FIGURE	ITEM	RETURN AIR LOCATION	SIZE	EXHAUST FAN PART NUMBER	PART DESCRIPTION	QTY.	PART NUMBER
14	1	BOTTOM OR RIGHT	15-15	026-36358-000 (50-65 TON)	WHEEL	2	026-38829-000
14	2				SHAFT	1	029-22049-000
14	3				BEARING	3	029-22057-000
14	1	LEFT	15-15	026-36435-000 (50-65 TON)	WHEEL	2	026-38829-000
14	2				SHAFT	1	029-22049-000
14	3				BEARING	3	029-22057-000
14	1	BOTTOM OR RIGHT	18-18	026-36359-000 (50-65 TON)	WHEEL	2	026-38831-000
14	2				SHAFT	1	029-22051-000
14	3				BEARING	3	029-22059-000
14	1	LEFT	18-18	026-36406-000 (50-65 TON)	WHEEL	2	026-38831-000
14	2				SHAFT	1	029-22051-000
14	3				BEARING	3	029-22059-000
14	1	BOTTOM OR RIGHT	20-18	026-36438-000 (70-105 TON)	WHEEL	2	026-33836-000
14	2				SHAFT	1	029-22063-000
14	3				BEARING	3	029-22060-000
14	1	LEFT	20-18	026-36439-000 (70-105 TON)	WHEEL	2	026-33836-000
14	2				SHAFT	1	029-22063-000
14	3				BEARING	3	029-22060-000

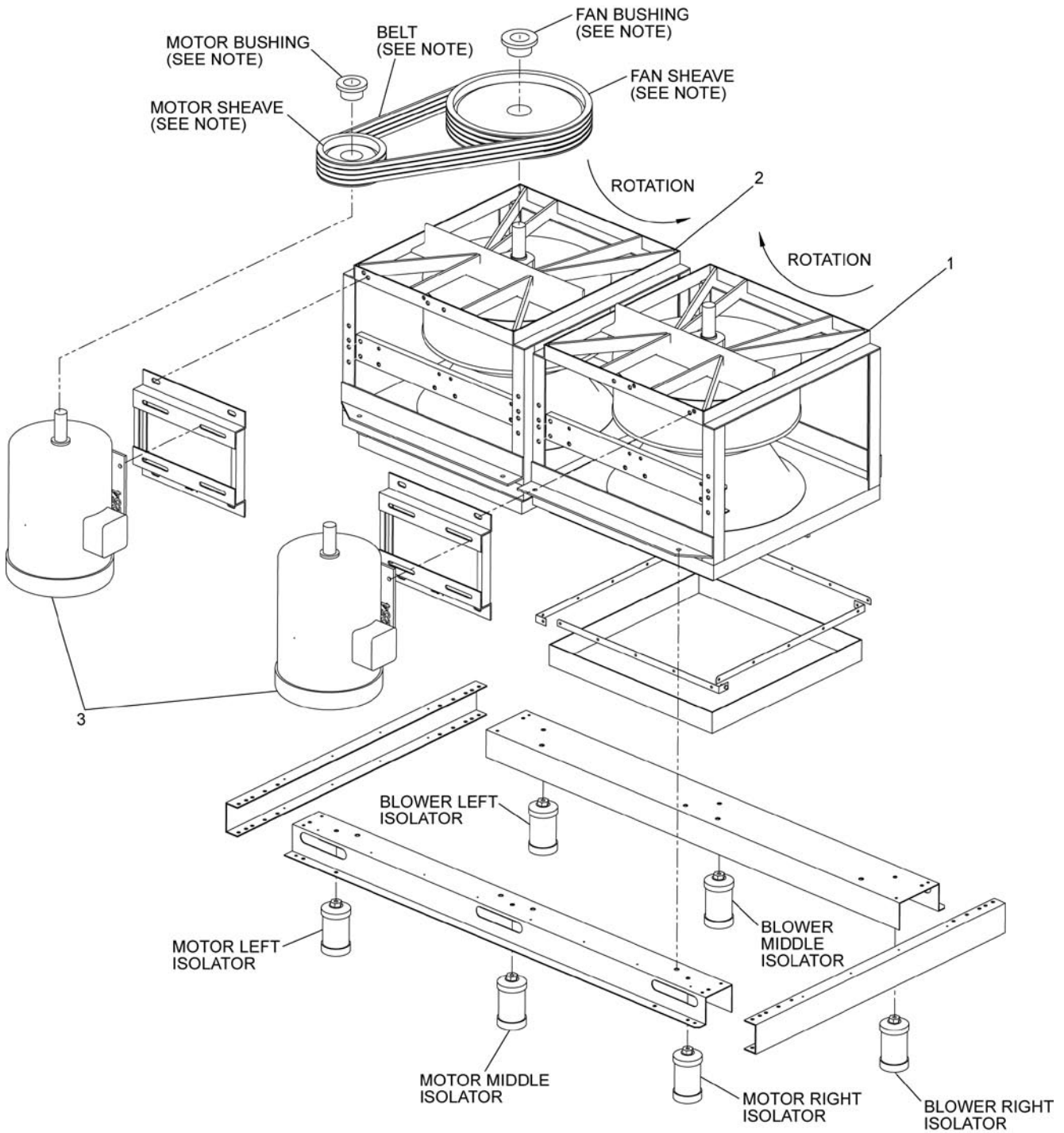


LD11789

**FIG. 14 - EXHAUST FAN REPLACEMENT PARTS**

**TABLE 17 - RETURN FANS**

FIGURE	ITEM	UNIT SIZE	ROTATION	PART NUMBER
15	1	50-65	CLOCKWISE	026-40562-000
15	2		COUNTERCLOCKWISE	026-40562-001
15	1	70-105	CLOCKWISE	026-40563-000
15	2		COUNTERCLOCKWISE	026-40563-001



NOTE: PROCURE REPLACEMENT DRIVE COMPONENTS LOCALLY. A DRIVE LABEL, AFFIXED TO THE RETURN FAN, LISTS THE DRIVE SPECIFICATIONS. HOWEVER, DUE TO POSSIBLE CHANGES IN THE FIELD, REPLACEMENT PARTS MUST BE VERIFIED AGAINST INSTALLED PARTS SINCE THE INSTALLED PARTS MAY NOT MATCH THE LABEL.

LD11790

**FIG. 15 - RETURN FANS, MOTORS, ISOLATORS, AND DRIVE COMPONENTS**

**TABLE 18 - RETURN FAN MOTORS, ODP, 3-PHASE, 60 HERTZ**

FIGURE	ITEM	UNIT SIZE	MOTOR HP	VOLTAGE	STANDARD EFFICIENCY PART NUMBER	HIGH EFFICIENCY PART NUMBER
15	3	50-105	5	200	024-23936-000	024-27056-000
15	3			230	024-23929-000	024-27057-000
15	3			380	024-26234-000	NA
15	3			460	024-23929-000	024-27057-000
15	3			575	024-27009-000	024-27371-000
15	3		7.5	200	024-23937-000	024-27058-000
15	3			230	024-23930-000	024-27059-000
15	3			380	024-26235-000	NA
15	3			460	024-23930-000	024-27059-000
15	3			575	024-27010-000	024-27372-000
15	3		10	200	024-23938-000	024-27060-000
15	3			230	024-23931-000	024-27062-000
15	3			380	024-26236-000	NA
15	3			460	024-23931-000	024-27062-000
15	3			575	024-27011-000	024-27373-000
15	3		15	200	024-23939-000	024-27063-000
15	3			230	024-23932-000	024-27064-000
15	3			380	024-26237-000	NA
15	3			460	024-23932-000	024-27064-000
15	3			575	024-27012-000	024-27374-000
15	3	90-105	20	200	024-23940-000	024-27065-000
15	3			230	024-23933-000	024-27066-000
15	3			380	024-26238-000	NA
15	3			460	024-23933-000	024-27066-000
15	3			575	024-27013-000	024-27375-000

**TABLE 19 - RETURN FAN MOTORS, TEFC, 3-PHASE, 60 HERTZ**

FIGURE	ITEM	UNIT SIZE	MOTOR HP	VOLTAGE	STANDARD EFFICIENCY PART NUMBER	HIGH EFFICIENCY PART NUMBER
15	3	50-105	5	200	024-23922-000	024-27083-000
15	3			230	024-23915-000	024-27084-000
15	3			380	024-26249-000	NA
15	3			460	024-23915-000	024-27084-000
15	3			575	024-27041-000	024-27343-000
15	3		7.5	200	024-23923-000	024-27085-000
15	3			230	024-23916-000	024-27086-000
15	3			380	024-26250-000	NA
15	3			460	024-23916-000	024-27086-000
15	3			575	024-27042-000	024-27345-000
15	3		10	200	024-23924-000	024-27087-000
15	3			230	024-23917-000	024-27088-000
15	3			380	024-26251-000	NA
15	3			460	024-23917-000	024-27088-000
15	3			575	024-27043-000	024-27347-000
15	3		15	200	024-23925-000	024-27089-000
15	3			230	024-23918-000	024-27090-000
15	3			380	024-26252-000	NA
15	3			460	024-23918-000	024-27090-000
15	3			575	024-27314-000	024-27349-000
15	3	90-105	20	200	024-27336-000	024-27097-000
15	3			230	024-23919-000	024-27098-000
15	3			380	024-26253-000	NA
15	3			460	024-23919-000	024-27098-000
15	3			575	024-27029-000	024-27351-000

**TABLE 20 - RETURN FAN MOTORS, ODP AND TEFC, 3-PHASE, 50 HERTZ**

FIGURE	ITEM	UNIT SIZE	MOTOR HP	VOLTAGE	ODP STANDARD EFFICIENCY PART NUMBER	TEFC STANDARD EFFICIENCY PART NUMBER
15	3	50-105	5	400	024-27323-000	024-27331-000
15	3		7.5	400	024-27324-000	024-27332-000
15	3		10	400	024-27325-000	024-27334-000
15	3		15	400	024-27326-000	024-27335-000
15	3	90-105	20	400	024-27327-000	024-27337-000

**TABLE 21 - RETURN FAN ONE-INCH SPRING ISOLATORS**

FIG	UNIT SIZE	MOTOR HP	BLOWER LEFT	BLOWER MIDDLE	BLOWER RIGHT	MOTOR LEFT	MOTOR MIDDLE	MOTOR RIGHT
15	50-65	5	029-21363-002	029-21363-002	029-21363-002	029-21363-003	029-21363-002	029-21363-003
15		7.5	029-21363-002	029-21363-002	029-21363-002	029-21363-004	029-21363-002	029-21363-004
15		10	029-21363-002	029-21363-002	029-21363-002	029-21363-004	029-21363-003	029-21363-004
15		15	029-21363-002	029-21363-002	029-21363-002	029-21363-005	029-21363-005	029-21363-005
15	70-85	5	029-21363-004	029-21363-002	029-21363-004	029-21363-003	029-21363-002	029-21363-003
15		7.5	029-21363-003	029-21363-002	029-21363-003	029-21363-004	029-21363-002	029-21363-004
15		10	029-21363-003	029-21363-002	029-21363-003	029-21363-004	029-21363-003	029-21363-004
15		15	029-21363-003	029-21363-003	029-21363-003	029-21363-005	029-21363-005	029-21363-005
15	90-105	5	029-21363-004	029-21363-002	029-21363-004	029-21363-003	029-21363-002	029-21363-003
15		7.5	029-21363-003	029-21363-002	029-21363-003	029-21363-004	029-21363-003	029-21363-004
15		10	029-21363-003	029-21363-002	029-21363-003	029-21363-005	029-21363-004	029-21363-005
15		15	029-21363-003	029-21363-003	029-21363-003	029-21363-006	029-21363-005	029-21363-006
15		20	029-21363-003	029-21363-003	029-21363-003	029-21363-006	029-21363-006	029-21363-006

**TABLE 22 - RETURN FAN TWO-INCH SPRING ISOLATORS**

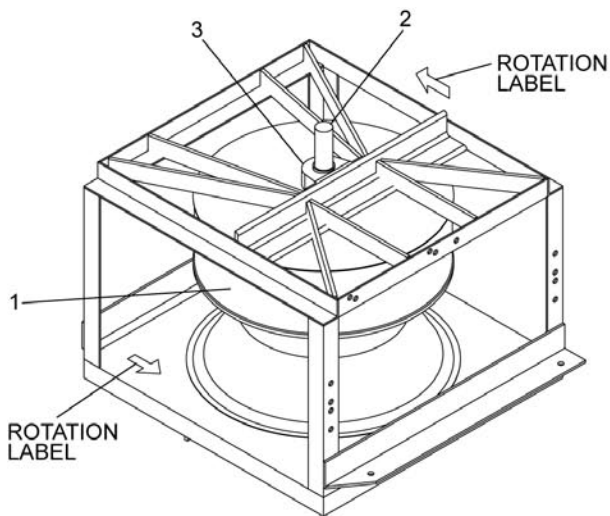
FIG	UNIT SIZE	MOTOR HP	BLOWER LEFT	BLOWER MIDDLE	BLOWER RIGHT	MOTOR LEFT	MOTOR MIDDLE	MOTOR RIGHT
15	50-65	5	029-21330-603	029-21330-602	029-21330-603	029-21330-603	029-21330-602	029-21330-603
15		7.5	029-21330-603	029-21330-602	029-21330-603	029-21330-604	029-21330-603	029-21330-604
15		10	029-21330-603	029-21330-602	029-21330-603	029-21330-604	029-21330-604	029-21330-604
15		15	029-21330-603	029-21330-603	029-21330-603	029-21330-606	029-21330-606	029-21330-606
15	70-85	5	029-21330-604	029-21330-602	029-21330-604	029-21330-604	029-21330-602	029-21330-604
15		7.5	029-21330-604	029-21330-602	029-21330-604	029-21330-604	029-21330-603	029-21330-604
15		10	029-21330-604	029-21330-603	029-21330-604	029-21330-604	029-21330-604	029-21330-604
15		15	029-21330-603	029-21330-603	029-21330-603	029-21330-606	029-21330-060	029-21330-606
15	90-105	5	029-21330-604	029-21330-602	029-21330-604	029-21330-604	029-21330-602	029-21330-604
15		7.5	029-21330-604	029-21330-602	029-21330-604	029-21330-604	029-21330-603	029-21330-604
15		10	029-21330-604	029-21330-603	029-21330-604	029-21330-606	029-21330-064	029-21330-606
15		15	029-21330-603	029-21330-603	029-21330-603	029-21330-606	029-21330-606	029-21330-606
15		20	029-21330-603	029-21330-603	029-21330-603	029-21330-606	029-21330-606	029-21330-606

**TABLE 23 - ISOATOR PART NUMBER IDENTIFICATION BY COLOR**

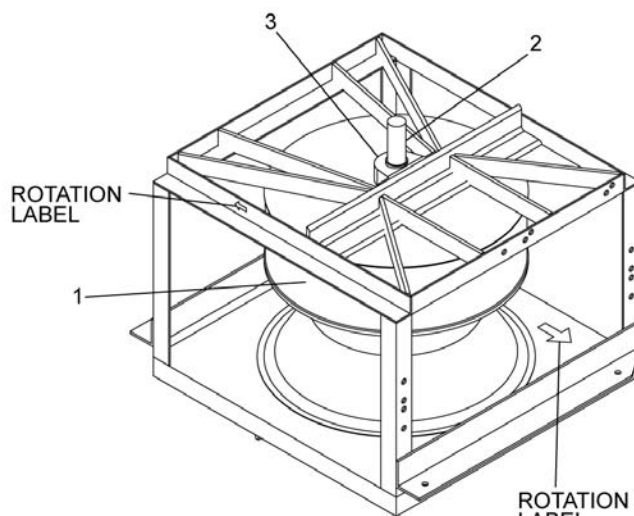
ONE INCH SPRING ISOLATORS		TWO INCH SPRING ISOLATORS	
COLOR	PART NUMBER	COLOR	PART NUMBER
BLUE	029-21363-001	BLUE	029-21330-601
BLUE/PINK	029-21363-002	YELLOW	029-21330-602
BLUE/BLACK	029-21363-003	BLACK	029-21330-603
BLUE/BLUE	029-21363-004	PURPLE	029-21330-604
BLACK	029-21363-005	RED	029-21330-606
BLACK/YELLOW	029-21363-006	RED/BLACK	029-21330-607
RED/BROWN	029-21363-008	RED/GREEN	029-21330-608

**TABLE 24 - RETURN FAN REPLACEMENT PARTS**

FIGURE	ITEM	RETURN FAN PART NUMBER	PART DESCRIPTION	QTY.	PART NUMBER
24	1	026-40562-000 (50-65 TON)	WHEEL	2	026-38829-000
24	2		SHAFT	1	029-22049-000
24	3		BEARING	3	029-22057-000
24	1	026-40562-001 (50-65 TON)	WHEEL	2	026-38829-000
24	2		SHAFT	1	029-22049-000
24	3		BEARING	3	029-22057-000
24	1	026-40563-000 (70-105 TON)	WHEEL	2	026-38831-000
24	2		SHAFT	1	029-22051-000
24	3		BEARING	3	029-22059-000
24	1	026-40563-000 (70-105 TON)	WHEEL	2	026-38831-000
24	2		SHAFT	1	029-22051-000
24	3		BEARING	3	029-22059-000



026-40562-001  
026-40563-001



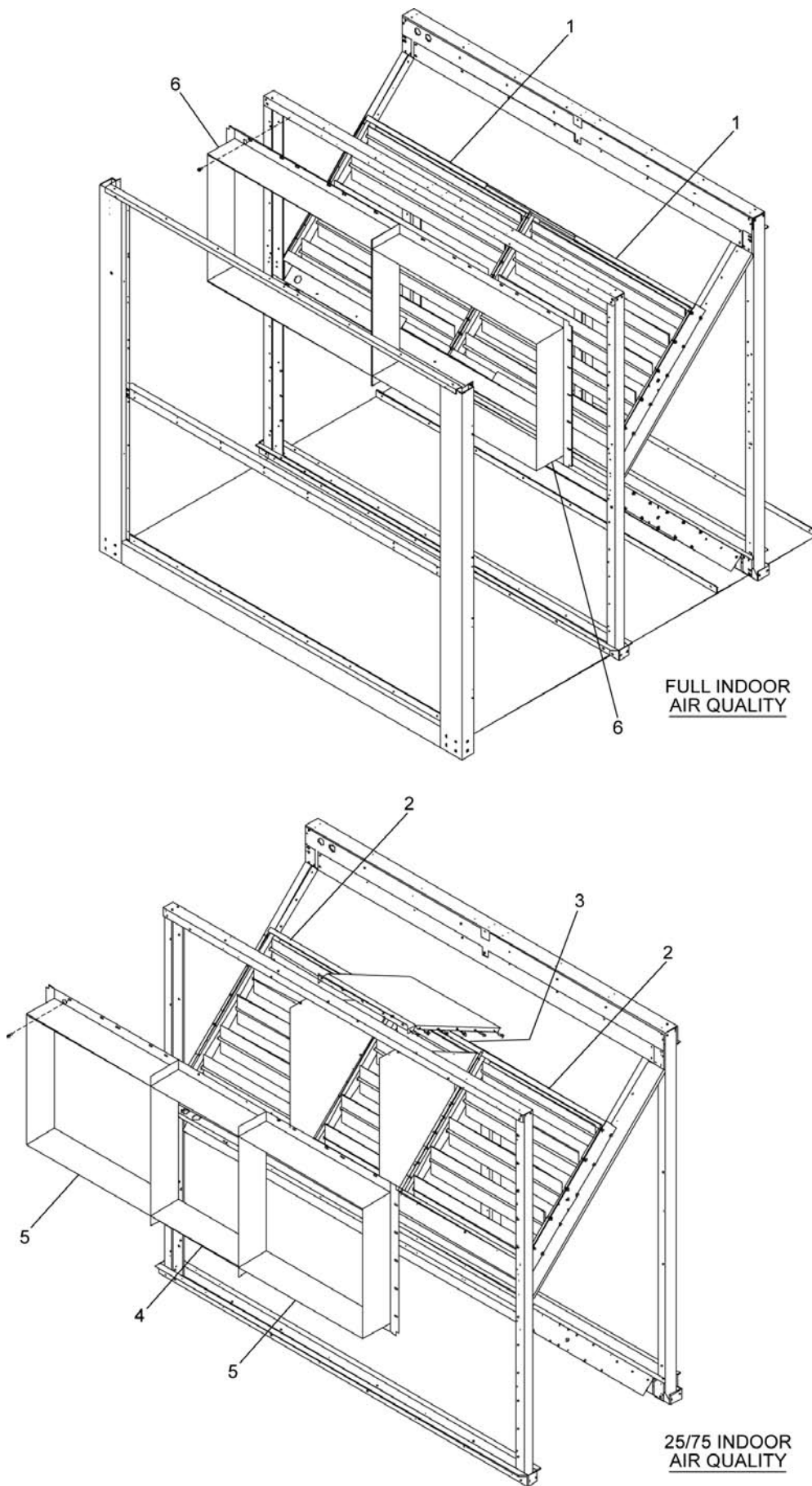
026-40562-000  
026-40563-000

LD11839

**FIG. 16 - RETURN FAN REPLACEMENT PARTS**

**TABLE 25 - ECONOMIZER DAMPERS AND ACTUATORS**

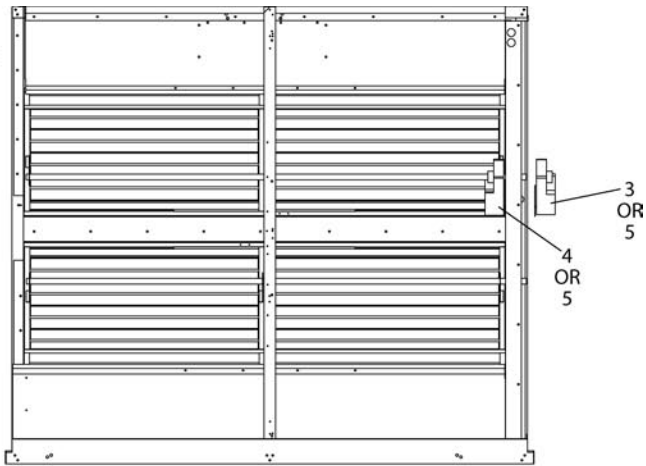
FIGURE	ITEM	UNIT SIZE	DESCRIPTION	PART NUMBER
17	1	50-65	DAMPER, MANUAL, 2 POSITION, FULL IAQ., AND ACT	026-40698-000
17	2		DAMPER, MINIMUM, IAQ, AND 25/75 IAQ.	026-40699-000
18	3		ACTUATOR, JCI	025-35774-016
18	5		ACTUATOR, BELIMO	025-30958-009
18	6		HANDCRANK, MANUAL	026-40700-000
19	7		CRANK ARM, FULL IAQ.	085-01457-000
19	8		BALL JOINT LINKAGE, FULL, MINIMUM	021-19574-000
19	9		LINKAGE ROD, FULL IAQ, 5/16" X 19.5" LONG	026-40691-003
19	10		LINKAGE ROD, MINIMUM, 5/16" X 12" LONG	026-40691-006
19	11		BLADE CRANK ARM, MINIMUM	085-01456-000
19	12		ACTUATOR CRANK ARM, JCI, MINIMUM	085-01365-000
19	13		ACTUATOR CRANK ARM, BELIMO, MINIMUM	026-40704-000
18	14		BRACKET, ROTATION LIMITER, RETURN FAN OPTION	026-40811-000
17	1		70-85	DAMPER, MANUAL, 2 POSITION, FULL IAQ., AND ACT
17	2	DAMPER, MINIMUM, IAQ. AND 25/75 IAQ.		026-40699-001
18	3	ACTUATOR, JCI		025-35774-016
18	4	ACTUATOR, JCI		025-35774-017
18	5	ACTUATOR, BELIMO		025-30958-009
18	6	HANDCRANK, MANUAL		026-40700-000
19	7	CRANK ARM, FULL IAQ.		085-01457-000
19	8	BALL JOINT LINKAGE, FULL, MINIMUM		021-19574-000
19	9	LINKAGE ROD, FULL IAQ, 5/16" X 36" LONG		026-40691-004
19	10	LINKAGE ROD, MINIMUM, 5/16" X 10" LONG		026-40691-007
19	11	BLADE CRANK ARM, MINIMUM		085-01456-000
19	12	ACTUATOR CRANK ARM, JCI, MINIMUM		085-01365-000
19	13	ACTUATOR CRANK ARM, BELIMO, MINIMUM		026-40704-000
18	14	BRACKET, ROTATION LIMITER, RETURN FAN OPTION		026-40811-000
17	1	90-105	DAMPER, MANUAL, 2 POSITION, FULL IAQ., AND ACT	026-40698-002
17	2		DAMPER, MINIMUM, IAQ. AND 25/75 IAQ.	026-40699-002
18	3		ACTUATOR, JCI	025-35774-016
18	4		ACTUATOR, JCI	025-35774-017
18	5		ACTUATOR, BELIMO	025-30958-009
18	6		HANDCRANK, MANUAL	026-40700-000
19	7		CRANK ARM, FULL IAQ.	085-01457-000
19	8		BALL JOINT LINKAGE, FULL, MINIMUM	021-19574-000
19	9		LINKAGE ROD, FULL IAQ, 5/16" X 33" LONG	026-40691-008
19	10		LINKAGE ROD, MINIMUM, 5/16" X 12" LONG	026-40691-006
19	11		BLADE CRANK ARM, MINIMUM	085-01456-000
19	12		ACTUATOR CRANK ARM, JCI, MINIMUM	085-01365-000
19	13		ACTUATOR CRANK ARM, BELIMO, MINIMUM	026-40704-000
18	14		BRACKET, ROTATION LIMITER, RETURN FAN OPTION	026-40811-000



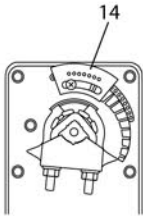
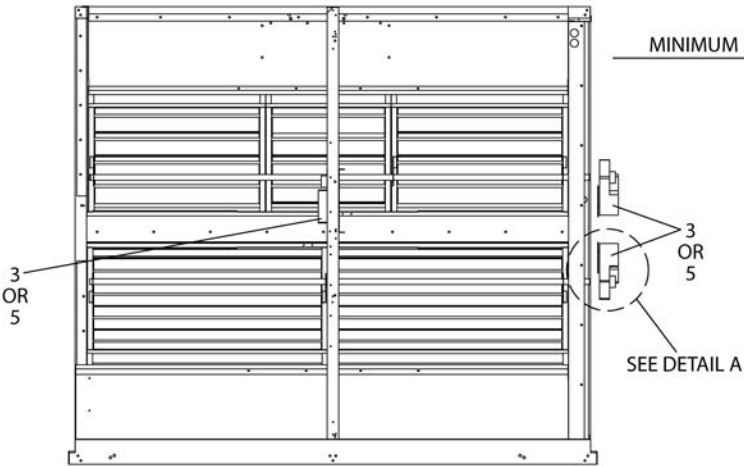
LD11840

**FIG. 17 - ECONOMIZER DAMPERS AND AIR MEASUREMENT STATIONS**

FULL INDOOR AIR QUALITY OPTION (70-105 TONS)

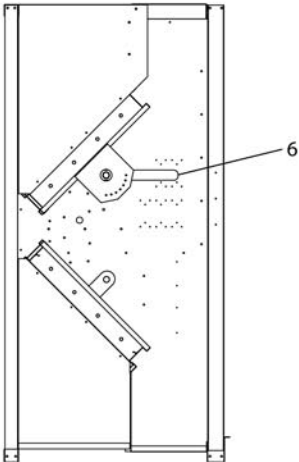


MINIMUM INDOOR AIR QUALITY OPTION (50-105 TONS)

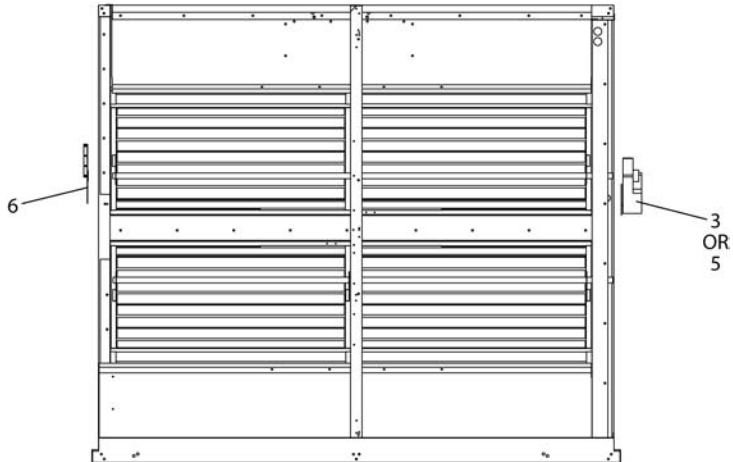


DETAIL A  
RETURN FAN OPTION ONLY  
(BELIMO ACTUATOR)

SIDE VIEW

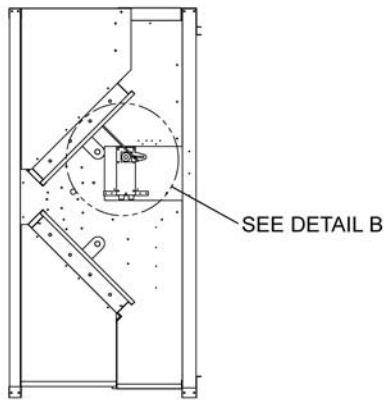
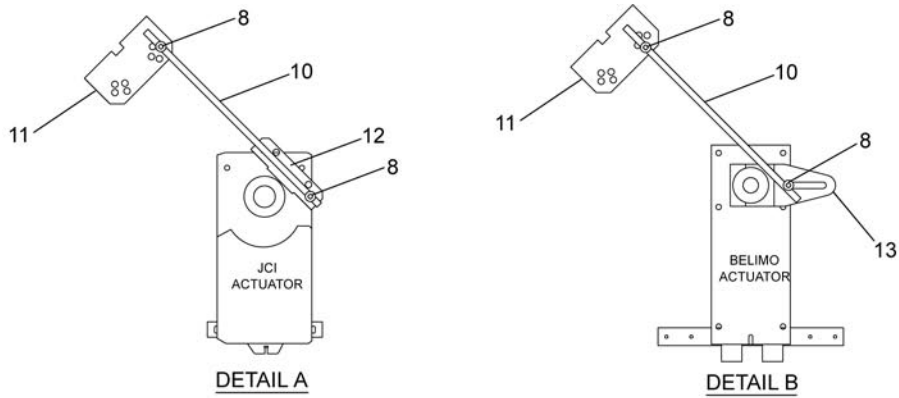


TWO-POSITION ACTUATOR OPTION (50-105 TONS)  
FULL INDOOR AIR QUALITY OPTION (50-65 TONS)

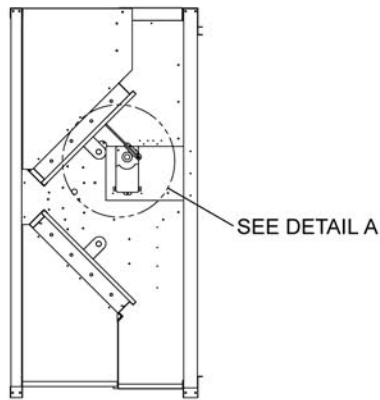


LD11841

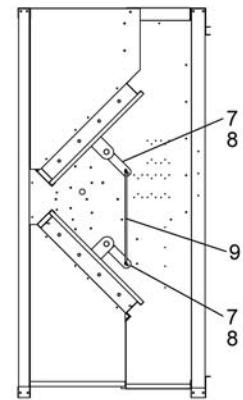
FIG. 18 - ECONOMIZER DAMPERS ACTUATORS



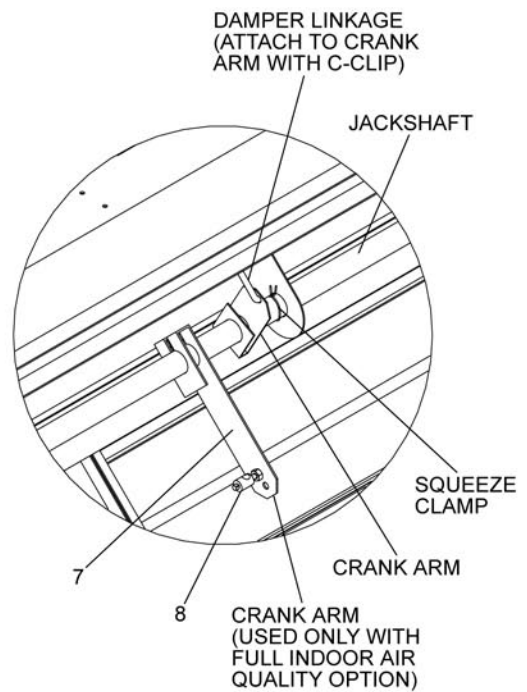
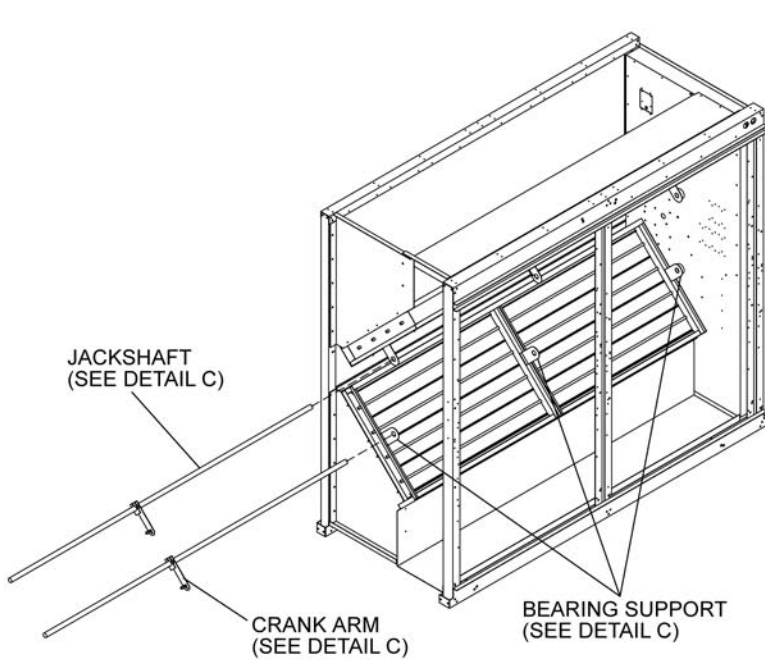
**BELIMO LINKAGE  
MINIMUM INDOOR AIR QUALITY OPTION**



**JCI LINKAGE  
MINIMUM INDOOR AIR QUALITY OPTION**



**FULL INDOOR AIR QUALITY OPTION**



**DETAIL C  
TYPICAL AT ALL BEARING SUPPORTS**

LD11842

**FIG. 19 - ECONOMIZER DAMPER AND ACTUATOR LINKAGE**

**TABLE 26 - AIR MEASUREMENT STATIONS**

FIG	ITEM	UNIT SIZE	DESCRIPTION	PART NUMBER
17	4	50-65	AMS, MID SECTION, 22" X 28", MIN./25%	026-41934-001
17	5		AMS, END SECTION, 31" X 28", 75%	026-41935-001
17	6		AMS, END SECTION, 42" X 28", FULL	026-41936-001
17	4	70-85	AMS, MID SECTION, 22" X 32", MIN./25%	026-41934-002
17	5		AMS, END SECTION, 31" X 32", 75%	026-41935-002
17	6		AMS, END SECTION, 42" X 32", FULL	026-41936-002
17	4	90-105	AMS, MID SECTION, 22" X 36", MIN./25%	026-41934-003
17	5		AMS, END SECTION, 31" X 36", 75%	026-41935-003
17	6		AMS, END SECTION, 42" X 36", FULL	026-41936-003

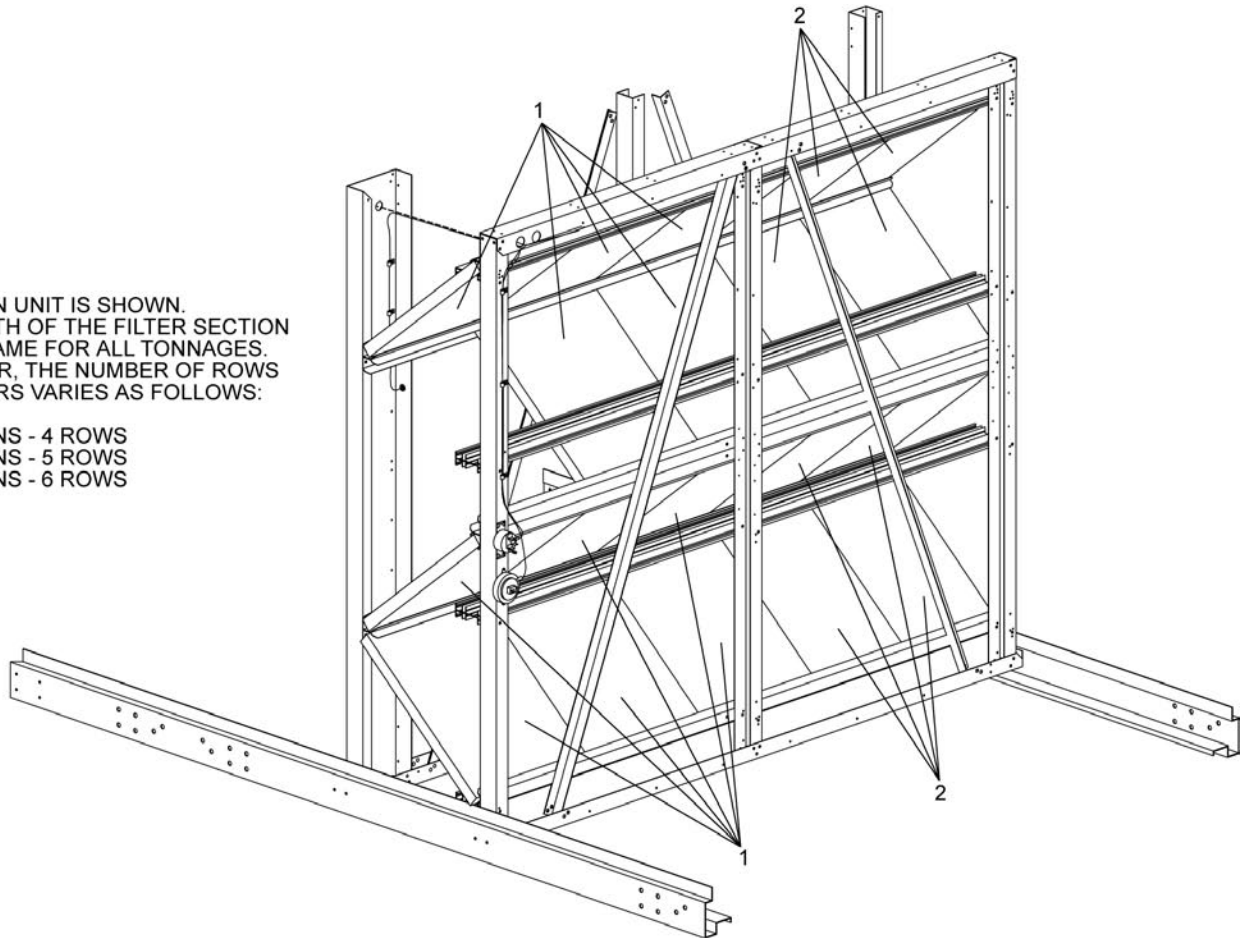
**TABLE 27 - UNIT FILTERS, ANGLE**

FIGURE	ITEM	UNIT SIZE	TYPE	SIZE	PART NUMBER	QTY
20	1	50-65	2" THROWAWAY	20" X 25"	026-01730-000	12
20	2			16" X 25"	026-03616-000	8
20	1		2" CLEANABLE	20" X 25"	026-10451-000	12
20	2			16" X 25"	026-10449-000	8
20	1		2" PLEATED, 30% EFFICIENT	20" X 25"	026-21065-000	12
20	2			16" X 25"	026-21064-000	8
20	1		2" CARBON, 30% EFFICIENT	20" X 25"	026-36378-000	12
20	2			16" X 25"	026-36377-000	8
20	1	70-85	2" THROWAWAY	20" X 25"	026-01730-000	15
20	2			16" X 25"	026-03616-000	10
20	1		2" CLEANABLE	20" X 25"	026-10451-000	15
20	2			16" X 25"	026-10449-000	10
20	1		2" PLEATED, 30% EFFICIENT	20" X 25"	026-21065-000	15
20	2			16" X 25"	026-21064-000	10
20	1		2" CARBON, 30% EFFICIENT	20" X 25"	026-36378-000	15
20	2			16" X 25"	026-36377-000	10
20	1	90-105	2" THROWAWAY	20" X 25"	026-01730-000	18
20	2			16" X 25"	026-03616-000	12
20	1		2" CLEANABLE	20" X 25"	026-10451-000	18
20	2			16" X 25"	026-10449-000	12
20	1		2" PLEATED, 30% EFFICIENT	20" X 25"	026-21065-000	18
20	2			16" X 25"	026-21064-000	12
20	1		2" CARBON, 30% EFFICIENT	20" X 25"	026-36378-000	18
20	2			16" X 25"	026-36377-000	12

## NOTE:

50-65 TON UNIT IS SHOWN.  
 THE WIDTH OF THE FILTER SECTION  
 IS THE SAME FOR ALL TONNAGES.  
 HOWEVER, THE NUMBER OF ROWS  
 OF FILTERS VARIES AS FOLLOWS:

50-65 TONS - 4 ROWS  
 70-85 TONS - 5 ROWS  
 90-95 TONS - 6 ROWS

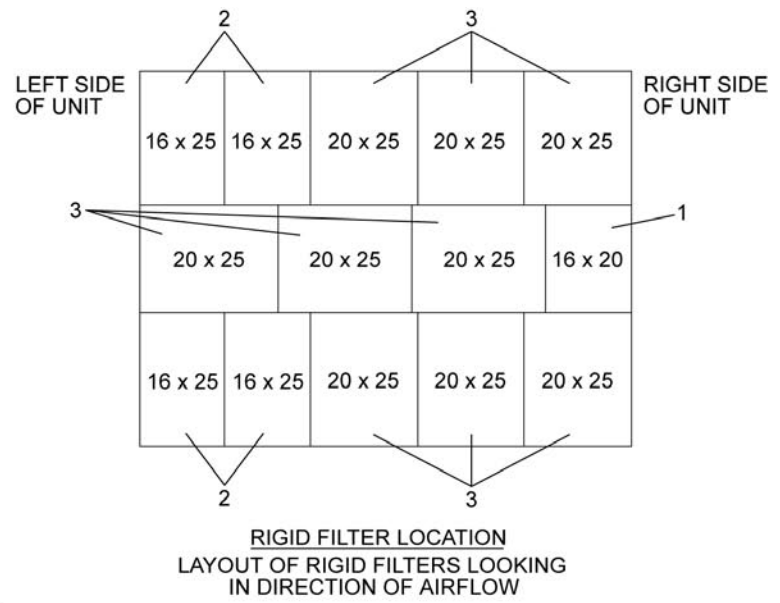


LD11843

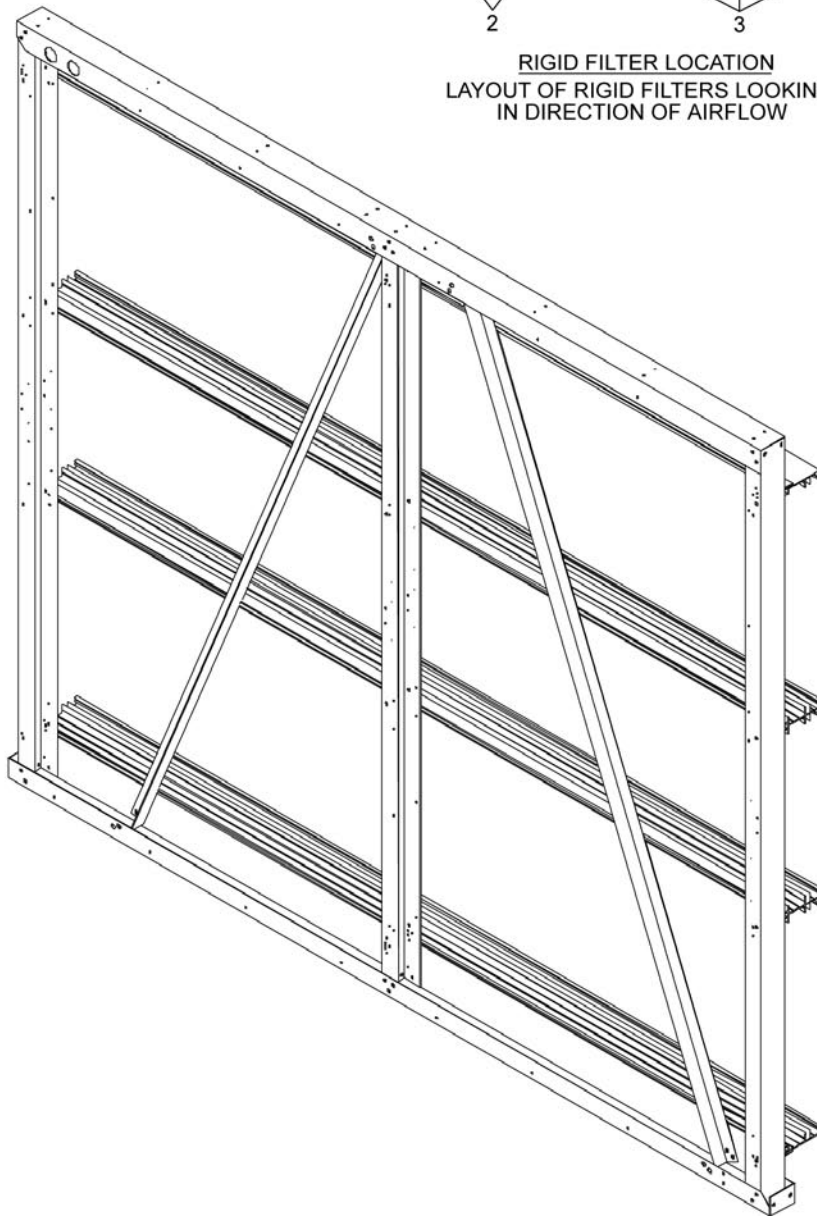
**FIG. 20 - ANGLE UNIT FILTERS**

**TABLE 28 - UNIT FILTERS, RIGID**

FIGURE	ITEM	UNIT SIZE	TYPE	SIZE	PART NUMBER	QTY
21	1	50-65	2" THROWAWAY	16" X 20"	026-03617-000	1
21	2			16" X 25"	026-03616-000	4
21	3			20" X 25"	026-01730-000	9
21	1		12" 60-65% EFFICIENT	16" X 20"	026-36340-009	1
21	2			16" X 25"	026-36340-010	4
21	3			20" X 25"	026-36379-000	9
21	1		12" 90-95% EFFICIENT	16" X 20"	026-36342-009	1
21	2			16" X 25"	026-36342-010	4
21	3			20" X 25"	026-36380-000	9
21	1		2" PLEATED PRE-FILTER (FOR USE WITH 12" 60-65% AND 90-95% EFFICIENT FILTERS)	16" X 20"	026-21062-000	1
21	2			16" X 25"	026-21064-000	4
21	3			20" X 25"	026-21065-000	9
22	1	70-85	2" THROWAWAY	16" X 20"	026-03617-000	2
22	2			16" X 25"	026-03616-000	8
22	3			20" X 25"	026-01730-000	9
22	1		12" 60-65% EFFICIENT	16" X 20"	026-36340-009	2
22	2			16" X 25"	026-36340-010	8
22	3			20" X 25"	026-36379-000	9
22	1		12" 90-95% EFFICIENT	16" X 20"	026-36342-009	2
22	2			16" X 25"	026-36342-010	8
22	3			20" X 25"	026-36380-000	9
22	1		2" PLEATED PRE-FILTER (FOR USE WITH 12" 60-65% AND 90-95% EFFICIENT FILTERS)	16" X 20"	026-21062-000	2
22	2			16" X 25"	026-21064-000	8
22	3			20" X 25"	026-21065-000	9
23	1	90-105	2" THROWAWAY	16" X 25"	026-03616-000	8
23	2			20" X 25"	026-01730-000	12
23	1		12" 60-65% EFFICIENT	16" X 25"	026-36340-010	8
23	2			20" X 25"	026-36379-000	12
23	1		12" 90-95% EFFICIENT	16" X 25"	026-36342-010	8
23	2			20" X 25"	026-36380-000	12
23	1		2" PLEATED PRE-FILTER (FOR USE WITH 12" 60-65% AND 90-95% EFFICIENT FILTERS)	16" X 25"	026-21064-000	8
23	2			20" X 25"	026-21065-000	12

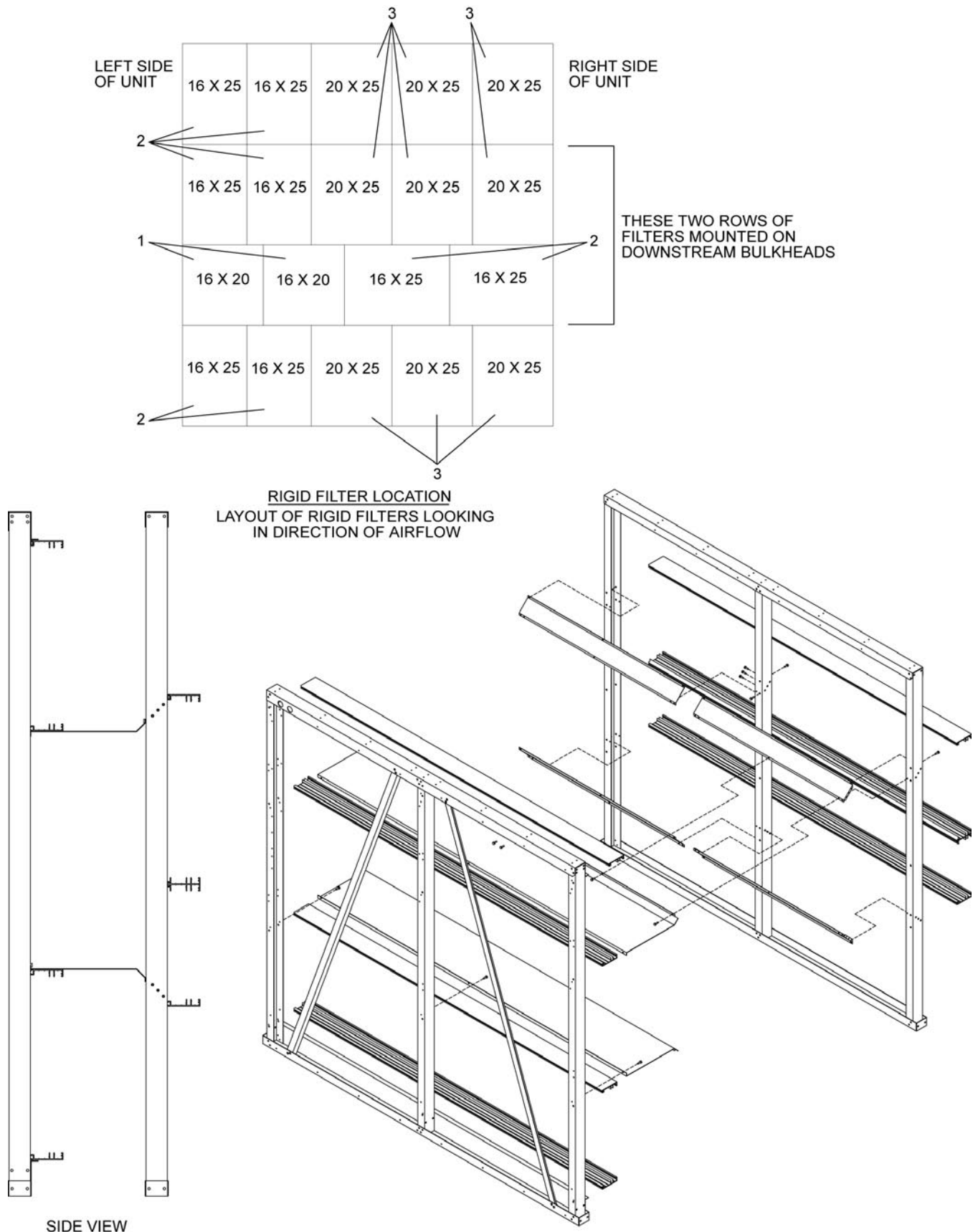


SIDE VIEW

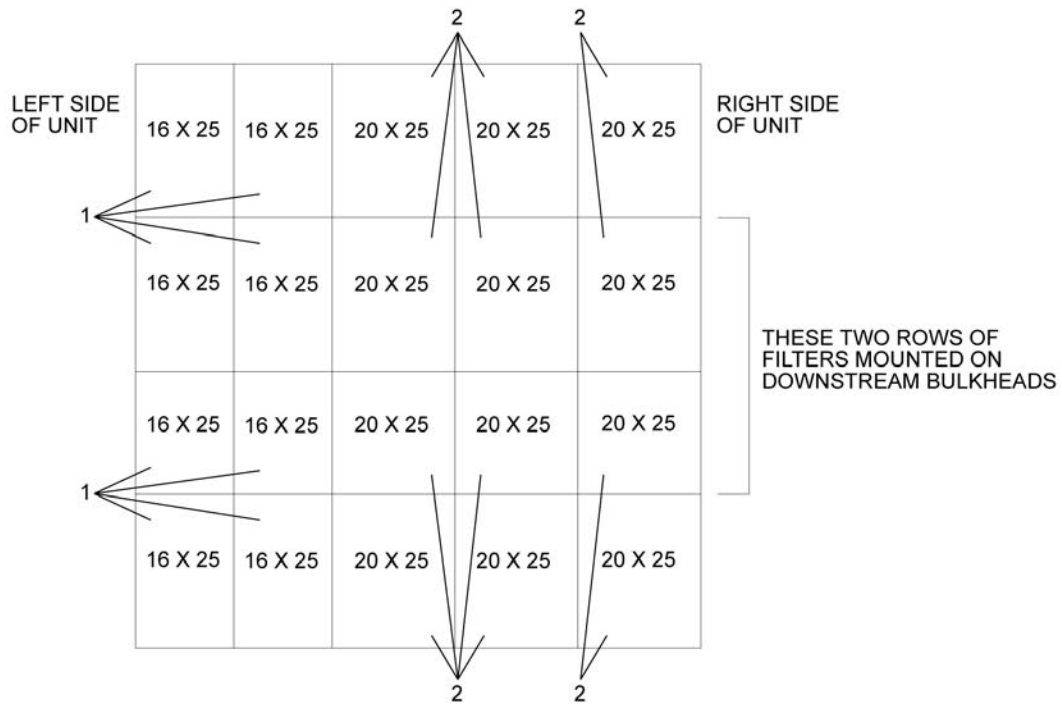


LD11844

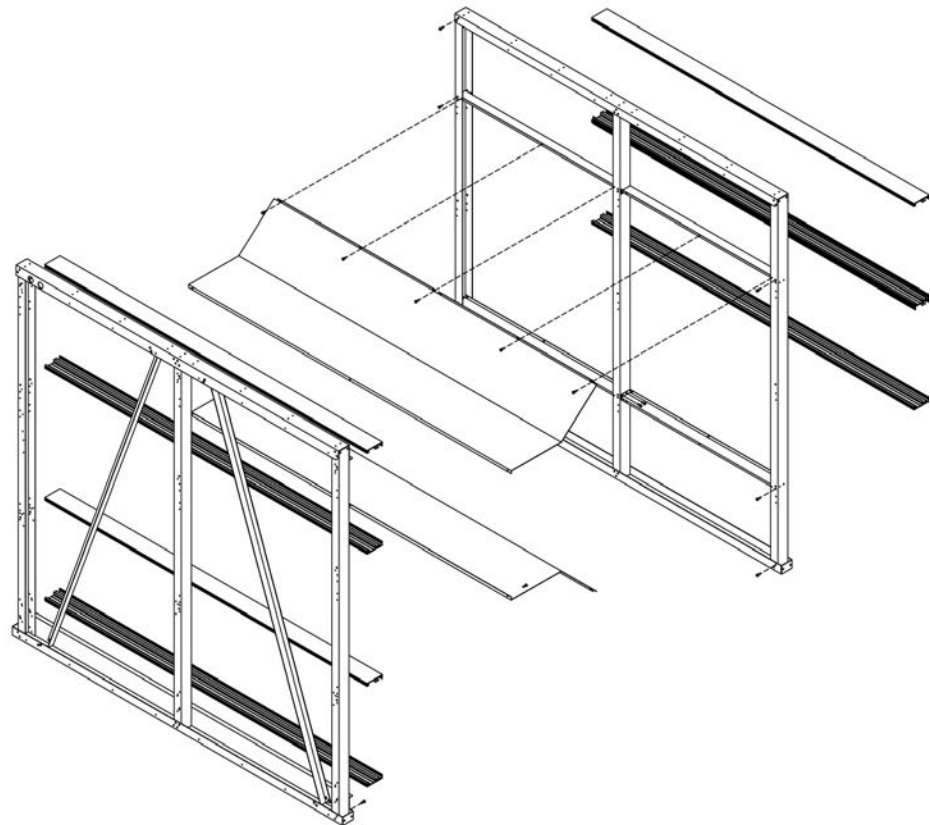
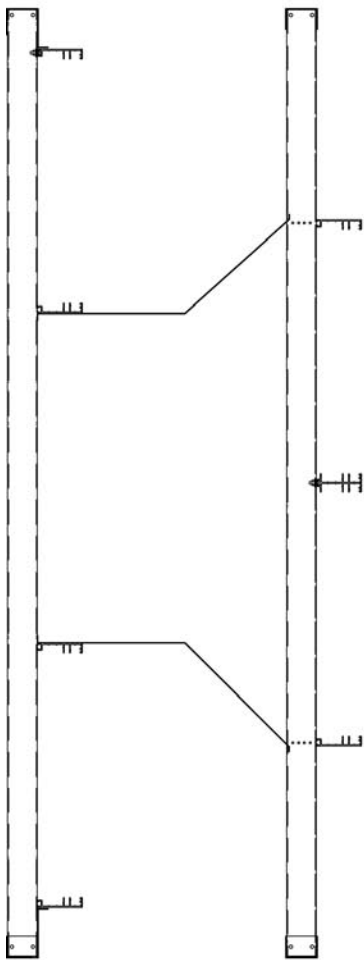
FIG. 21 - RIGID UNIT FILTERS (50-65 TON)



**FIG. 22 - RIGID UNIT FILTERS (70-85 TON)**



**RIGID FILTER LOCATION**  
LAYOUT OF RIGID FILTERS LOOKING IN DIRECTION OF AIRFLOW



LD11846

**FIG. 23 - RIGID UNIT FILTERS (90-105 TON)**

**TABLE 29 - EVAPORATOR COILS, NONFLEXSYS (R407C AND R22)**

FIGURE	ITEM	UNIT SIZE	LOCATION	PART NUMBER		QUANTITY
				ALUMINUM FINS	COPPER FINS	
24	1	50	BOTTOM	385-01539-102	385-01539-103	1
	2		TOP	385-01539-100	385-01539-101	1
24	1	55	BOTTOM	385-01539-112	385-01539-113	1
	2		TOP	385-01539-110	385-01539-111	1
24	1	60	BOTTOM	385-01539-122	385-01539-123	1
	2		TOP	385-01539-120	385-01539-121	1
24	1	65	BOTTOM	385-01539-132	385-01539-133	1
	2		TOP	385-01539-130	385-01539-131	1
24	1	70	BOTTOM	385-01539-142	385-01539-143	1
	2		TOP	385-01539-140	385-01539-141	1
24	1	75	BOTTOM	385-01539-152	385-01539-153	1
	2		TOP	385-01539-150	385-01539-151	1
24	1	80	BOTTOM	385-01539-162	385-01539-163	1
	2		TOP	385-01539-160	385-01539-161	1
24	1	85	BOTTOM	385-01539-172	385-01539-173	1
	2		TOP	385-01539-170	385-01539-171	1
24	1	90	BOTTOM	385-01539-182	385-01539-183	1
	2		TOP	385-01539-180	385-01539-181	1
24	1	95	BOTTOM	385-01539-192	385-01539-193	1
	2		TOP	385-01539-190	385-01539-191	1
25	1	105	BOTTOM	385-01539-212	385-01539-213	1
	2		TOP	385-01539-210	385-01539-211	1

**TABLE 30 - EVAPORATOR COILS, FLEXSYS (R407C AND R22)**

FIGURE	ITEM	UNIT SIZE	LOCATION	PART NUMBER		QUANTITY
				ALUMINUM FINS	COPPER FINS	
25	1	50	BOTTOM	385-01273-152	385-01273-153	1
	2		TOP	385-01273-150	385-01273-151	1
25	1	55	BOTTOM	385-01273-252	385-01273-253	1
	2		TOP	385-01273-250	385-01273-251	1
25	1	60	BOTTOM	385-01273-256	385-01273-257	1
	2		TOP	385-01273-254	385-01273-255	1
25	1	65	BOTTOM	385-01273-352	385-01273-353	1
	2		TOP	385-01273-350	385-01273-351	1
25	1	70	BOTTOM	385-01273-452	385-01273-453	1
	2		TOP	385-01273-450	385-01273-451	1
25	1	75	BOTTOM	385-01273-556	385-01273-557	1
	2		TOP	385-01273-554	385-01273-555	1
25	1	80	BOTTOM	385-01273-652	385-01273-653	1
	2		TOP	385-01273-650	385-01273-651	1
25	1	85	BOTTOM	385-01273-552	385-01273-553	1
	2		TOP	385-01273-550	385-01273-551	1
25	1	90	BOTTOM	385-01273-652	385-01273-653	1
	2		TOP	385-01273-650	385-01273-651	1
25	1	95	BOTTOM	385-01273-552	385-01273-553	1
	2		TOP	385-01273-550	385-01273-551	1
25	1	105	BOTTOM	385-01273-560	385-01273-561	1
	2		TOP	385-01273-558	385-01273-559	1

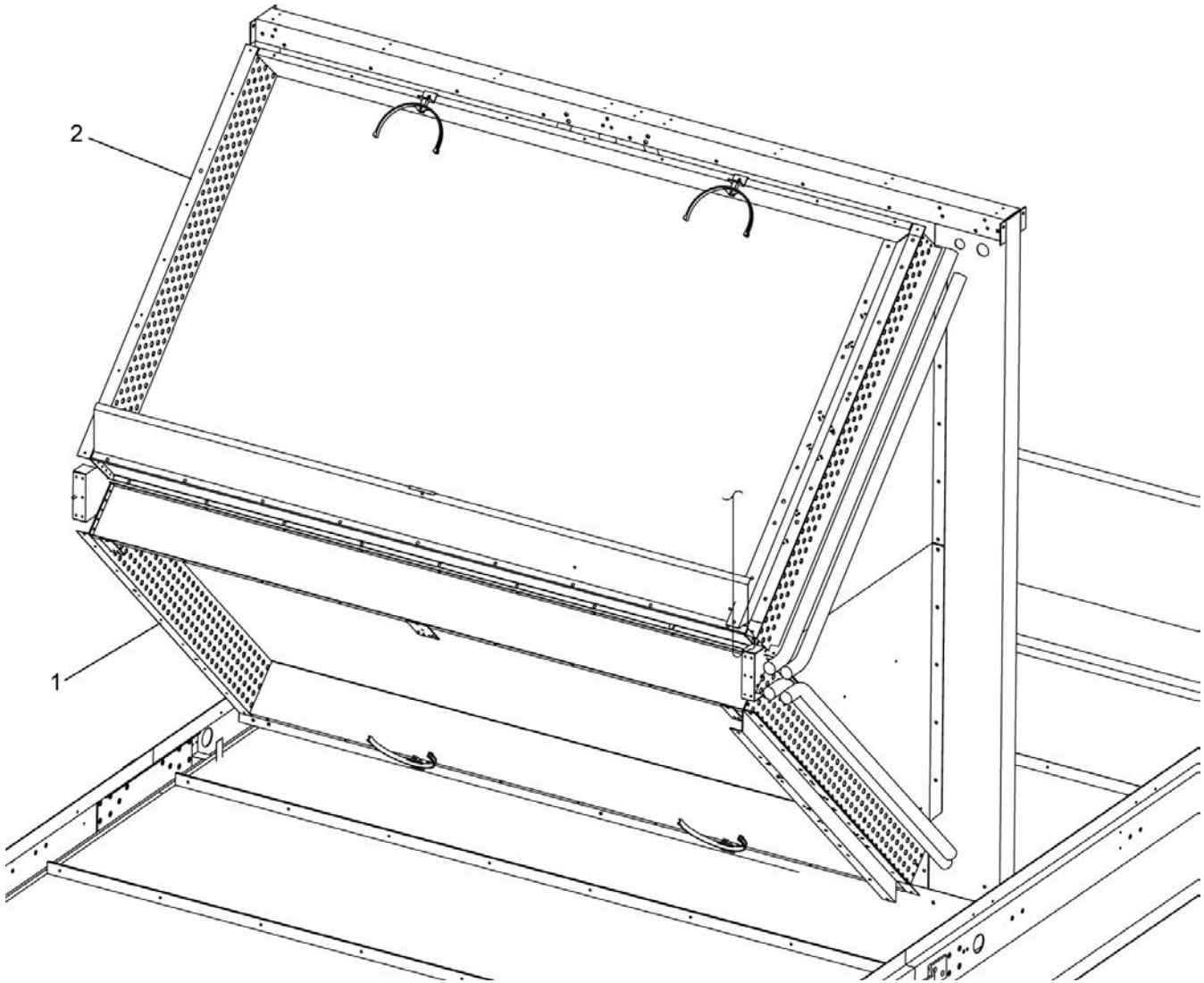
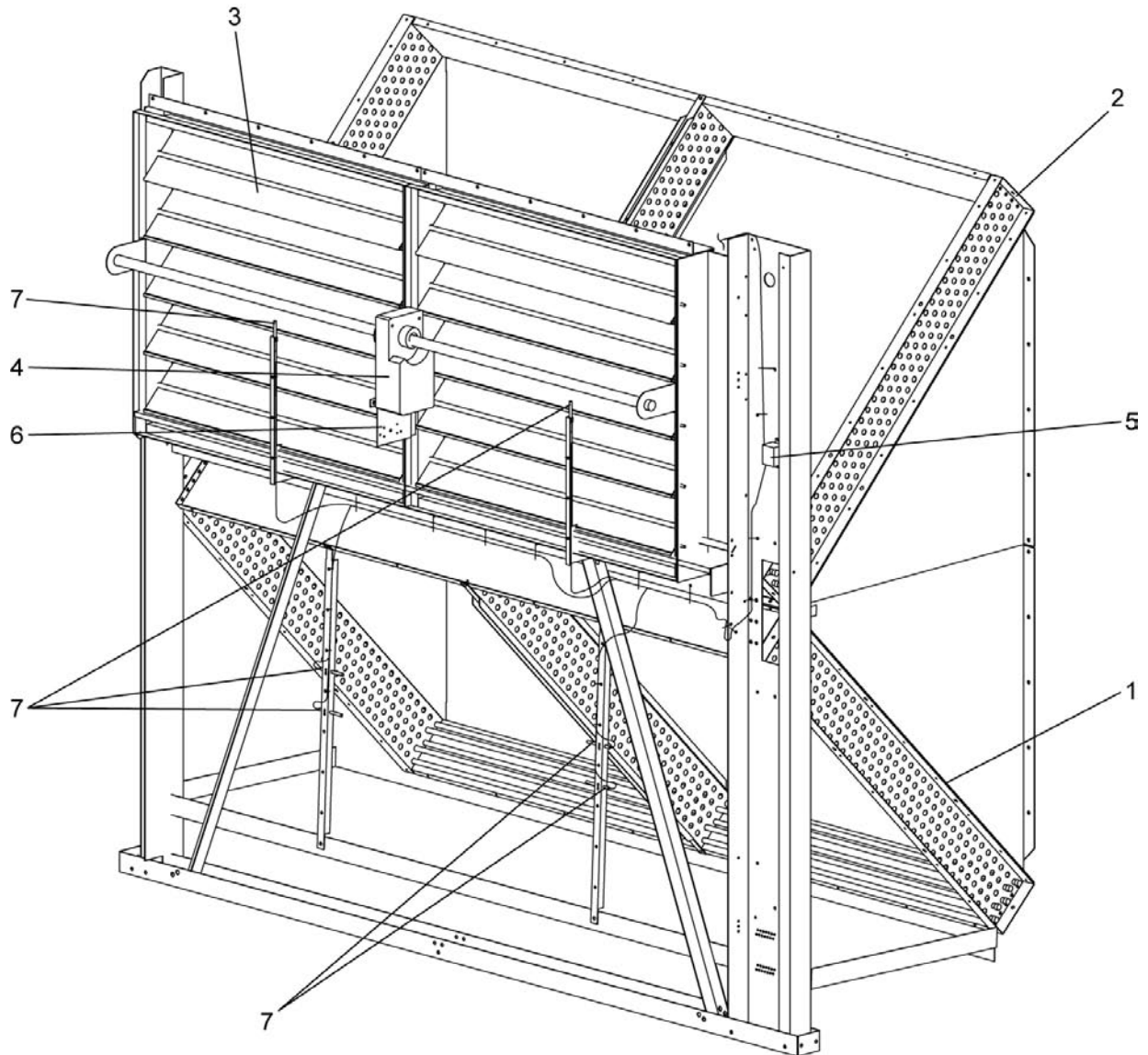


FIG. 24 - EVAPORATOR COILS, NONFLEXSYS

**TABLE 31 - EVAPORATOR FACE DAMPERS, ACTUATORS, AND RELAYS**

FIGURE	ITEM	UNIT SIZE	DESCRIPTION	PART NUMBER
25	3	50-65	CONTROL DAMPER, 32" X 73.5"	026-40703-000
25	3	70-105	CONTROL DAMPER, 37.75" X 73.5"	026-40703-001
25	4	50-105	ACTUATOR, JCI	025-35774-018
25	4		ACTUATOR, BELIMO	025-30958-007
25	5		RELAY	024-33137-000
25	6		BRACKET, ACTUATOR MOUNTING	085-01432-000

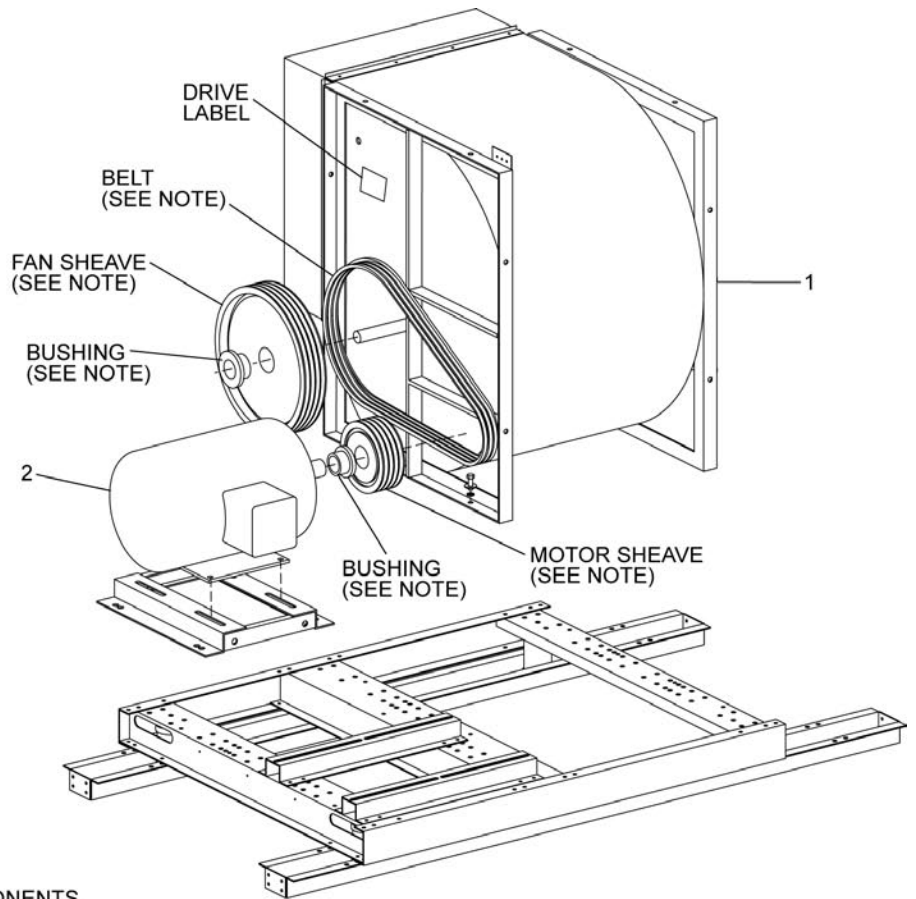
NOTE:  
See TABLE 78 for description of item #7.



**FIG. 25 - EVAPORATOR FACE DAMPERS, ACTUATORS, AND RELAYS**

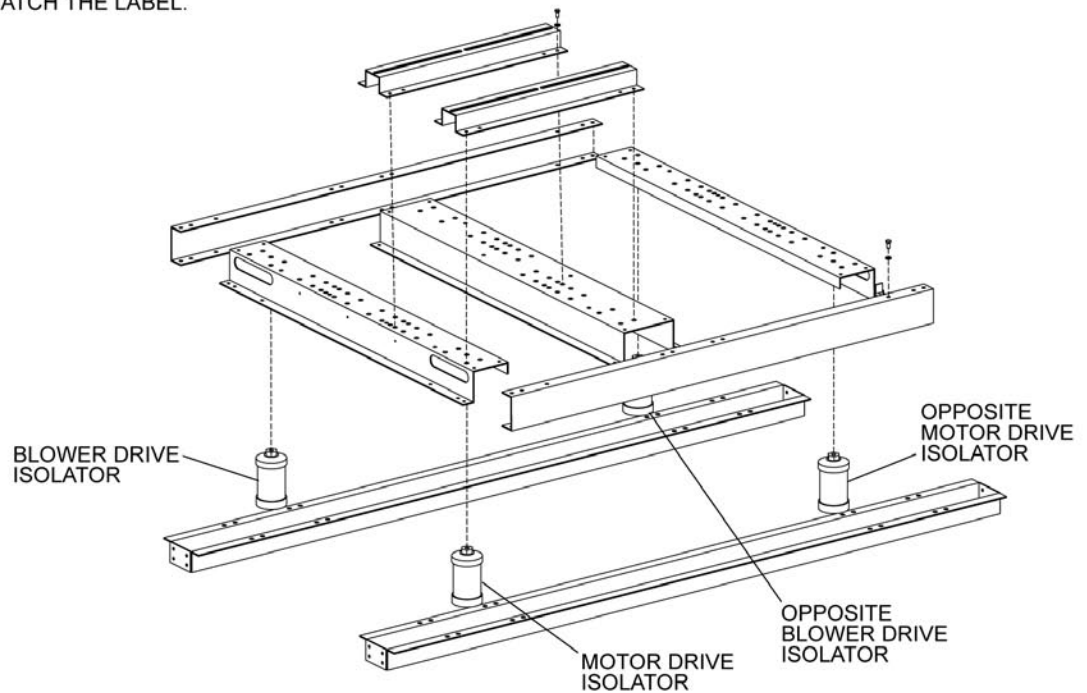
**TABLE 32 - SUPPLY FANS**

<b>FIGURE</b>	<b>ITEM</b>	<b>UNIT SIZE</b>	<b>SIZE</b>	<b>TYPE</b>	<b>CLASS</b>	<b>PART NUMBER</b>
26	1	50-65	25-22	FORWARD-CURVED	2	026-36310-425
26	1		25-25	AIRFOIL	1	026-36313-125
26	1		25-25	AIRFOIL	2	026-36313-225
27	1	70-85	28-25	FORWARD-CURVED	2	026-36311-428
27	1	70-105	32-32	AIRFOIL	1	026-36313-132
27	1		32-32	AIRFOIL	2	026-36313-232
27	1	90-105	28-28	FORWARD-CURVED	2	026-36311-228



**NOTE:**

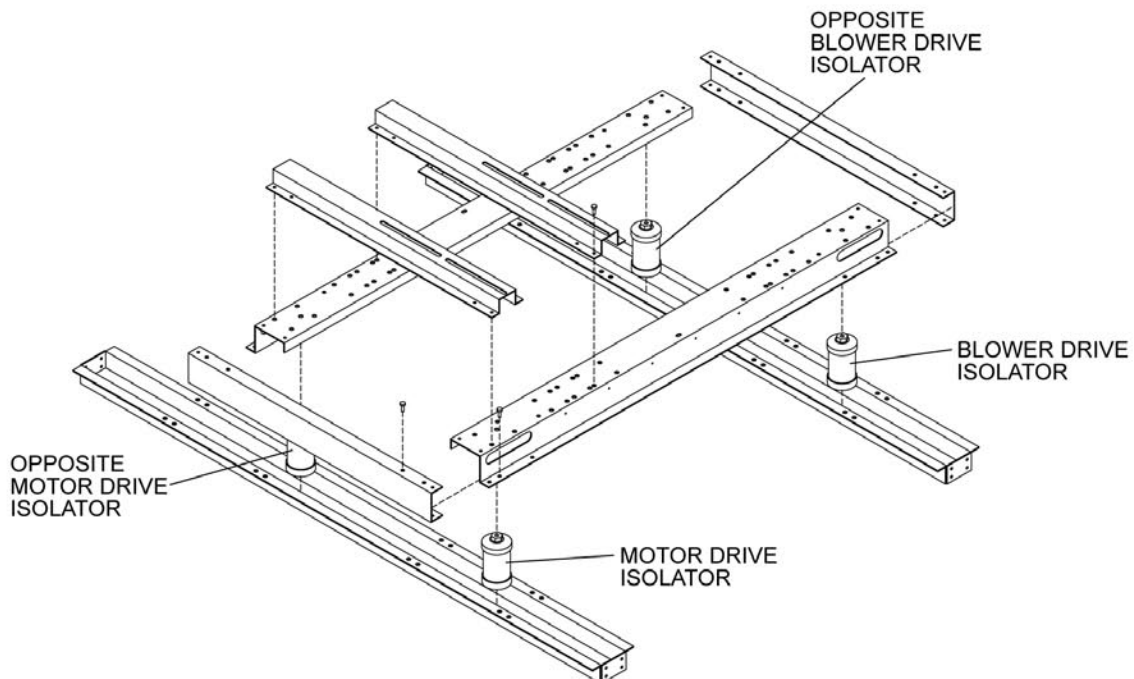
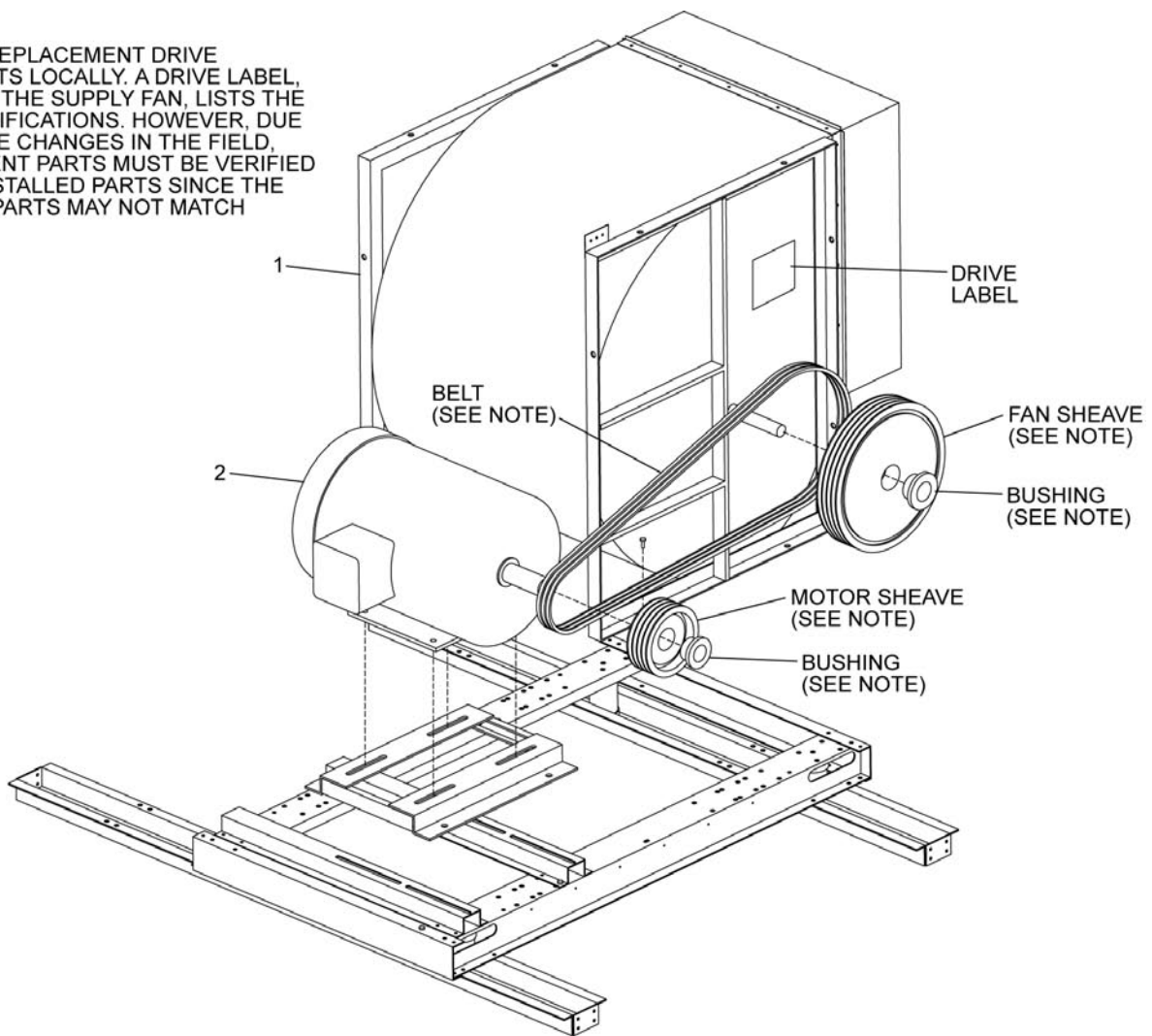
PROCURE REPLACEMENT DRIVE COMPONENTS LOCALLY. A DRIVE LABEL, AFFIXED TO THE SUPPLY FAN, LISTS THE DRIVE SPECIFICATIONS. HOWEVER, DUE TO POSSIBLE CHANGES IN THE FIELD, REPLACEMENT PARTS MUST BE VERIFIED AGAINST INSTALLED PARTS SINCE THE INSTALLED PARTS MAY NOT MATCH THE LABEL.



LD11849

**FIG. 26 - SUPPLY FANS, MOTORS, ISOLATORS, AND DRIVE COMPONENTS (50-65 TON)**

NOTE:  
 PROCURE REPLACEMENT DRIVE  
 COMPONENTS LOCALLY. A DRIVE LABEL,  
 AFFIXED TO THE SUPPLY FAN, LISTS THE  
 DRIVE SPECIFICATIONS. HOWEVER, DUE  
 TO POSSIBLE CHANGES IN THE FIELD,  
 REPLACEMENT PARTS MUST BE VERIFIED  
 AGAINST INSTALLED PARTS SINCE THE  
 INSTALLED PARTS MAY NOT MATCH  
 THE LABEL.



LD11850

FIG. 27 - SUPPLY FANS, MOTORS, ISOLATORS, AND DRIVE COMPONENTS (70-105 TON)

**TABLE 33 - SUPPLY FAN MOTORS, ODP, 3-PHASE, 60 HERTZ**

FIGURE	ITEM	UNIT SIZE	MOTOR HP	VOLTAGE	STANDARD EFFICIENCY PART NUMBER	HIGH EFFICIENCY PART NUMBER	
26, 27	2	50-105	10	200	024-23938-000	024-27060-000	
26, 27	2			230	024-23931-000	024-27062-000	
26, 27	2			380	024-26236-000	NA	
26, 27	2			460	024-23931-000	024-27062-000	
26, 27	2			575	024-27011-000	024-27373-000	
26, 27	2		15	15	200	024-23939-000	024-27063-000
26, 27	2				230	024-23932-000	024-27064-000
26, 27	2				380	024-26237-000	NA
26, 27	2				460	024-23932-000	024-27064-000
26, 27	2				575	024-27012-000	024-27374-000
26, 27	2		20	20	200	024-23940-000	024-27065-000
26, 27	2				230	024-23933-000	024-27066-000
26, 27	2				380	024-26238-000	NA
26, 27	2				460	024-23933-000	024-27066-000
26, 27	2				575	024-27013-000	024-27375-000
26, 27	2		25	25	200	024-23941-000	024-27067-000
26, 27	2				230	024-23934-000	024-27068-000
26, 27	2				380	024-26239-000	NA
26, 27	2				460	024-23934-000	024-27068-000
26, 27	2				575	024-27014-000	024-27376-000
26, 27	2		30	30	200	024-26265-000	024-27069-000
26, 27	2				230	024-23191-000	024-27070-000
26, 27	2				380	024-26240-000	NA
26, 27	2				460	024-23191-000	024-27070-000
26, 27	2				575	024-27015-000	024-27377-000
26, 27	2		40	40	200	024-26266-000	024-27071-000
26, 27	2				230	024-23195-000	024-27072-000
26, 27	2				380	024-26241-000	NA
26, 27	2				460	024-23195-000	024-27072-000
26, 27	2				575	024-27016-000	024-27378-000
27	2	70-105	50	200	024-14920-000	024-27073-000	
27	2			230	024-23196-000	024-27074-000	
27	2			380	024-26242-000	NA	
27	2			460	024-23196-000	024-27074-000	
27	2			575	024-27017-000	024-27392-000	
27	2		60	60	200	024-27396-000	024-27075-000
27	2				230	024-23197-000	024-27076-000
27	2				380	024-26243-000	NA
27	2				460	024-23197-000	024-27076-000
27	2				575	024-27018-000	024-27393-000

**TABLE 34 - SUPPLY FAN MOTORS, TEFC, 3-PHASE, 60 HERTZ**

FIGURE	ITEM	UNIT SIZE	MOTOR HP	VOLTAGE	STANDARD EFFICIENCY PART NUMBER	HIGH EFFICIENCY PART NUMBER	
26, 27	2	50-105	10	200	024-23924-000	024-27087-000	
26, 27	2			230	024-23917-000	024-27088-000	
26, 27	2			380	024-26251-000	NA	
26, 27	2			460	024-23917-000	024-27088-000	
26, 27	2			575	024-27043-000	024-27347-000	
26, 27	2		15	15	200	024-23925-000	024-27089-000
26, 27	2				230	024-23918-000	024-27090-000
26, 27	2				380	024-26252-000	NA
26, 27	2				460	024-23918-000	024-27090-000
26, 27	2				575	024-27314-000	024-27349-000
26, 27	2		20	20	200	024-27336-000	024-27097-000
26, 27	2				230	024-23919-000	024-27098-000
26, 27	2				380	024-26253-000	NA
26, 27	2				460	024-23919-000	024-27098-000
26, 27	2				575	024-27029-000	024-27351-000
26, 27	2		25	25	200	024-27338-000	024-27099-000
26, 27	2				230	024-23920-000	024-27300-000
26, 27	2				380	024-26254-000	NA
26, 27	2				460	024-23920-000	024-27300-000
26, 27	2				575	024-27030-000	024-27353-000
26, 27	2		30	30	200	024-26271-000	024-30744-000
26, 27	2				230	024-26282-000	024-27301-000
26, 27	2				380	024-26255-000	NA
26, 27	2				460	024-26282-000	024-27301-000
26, 27	2				575	024-27031-000	024-27355-000
26, 27	2		40	40	200	024-27341-000	024-30745-000
26, 27	2				230	024-26283-000	024-27302-000
26, 27	2				380	024-26256-000	NA
26, 27	2				460	024-26283-000	024-27302-000
26, 27	2				575	024-27032-000	024-27357-000
27	2	70-105	50	200	024-27096-000	024-27391-000	
27	2			230	024-26284-000	024-27303-000	
27	2			380	024-26257-000	NA	
27	2			460	024-26284-000	024-27303-000	
27	2			575	024-27049-000	024-27319-000	
27	2		60	60	200	024-27394-000	024-27395-000
27	2				230	024-26285-000	024-27304-000
27	2				380	024-26258-000	NA
27	2				460	024-26285-000	024-27304-000
27	2				575	024-27034-000	024-27320-000

**TABLE 35 - SUPPLY FAN MOTORS, ODP AND TEFC, 3-PHASE, 50 HERTZ**

FIGURE	ITEM	UNIT SIZE	MOTOR HP	VOLTAGE	ODP STANDARD EFFICIENCY PART NUMBER	TEFC STANDARD EFFICIENCY PART NUMBER
26, 27	2	50-105	10	400	024-27325-000	024-27334-000
26, 27	2		15	400	024-27326-000	024-27335-000
26, 27	2		20	400	024-27327-000	024-27337-000
26, 27	2		25	400	024-27379-000	024-27339-000
26, 27	2		30	400	024-27381-000	024-27340-000
26, 27	2		40	400	024-27383-000	024-27342-000
27	2	70-105	50	400	024-27385-000	024-27389-000
27	2		60	400	024-27387-000	024-27390-000

**TABLE 36 - SUPPLY FAN (FORWARD-CURVED) ONE-INCH ISOLATORS**

FIG	UNIT SIZE	MOTOR HP	FAN CLASS	BLOWER DRIVE	OPPOSITE BLOWER DRIVE	MOTOR DRIVE	OPPOSITE MOTOR DRIVE
26	50-65	10	2	029-21363-004	029-21363-004	029-21363-002	029-21363-003
26		15	2	029-21363-005	029-21363-004	029-21363-004	029-21363-004
26		20	2	029-21363-005	029-21363-004	029-21363-004	029-21363-004
26		25	2	029-21363-005	029-21363-004	029-21363-005	029-21363-005
26		30	2	029-21363-006	029-21363-004	029-21363-005	029-21363-005
26		40	2	029-21363-006	029-21363-005	029-21363-006	029-21363-006
27	70-85	10	2	029-21363-005	029-21363-001	029-21363-005	029-21363-003
27		15	2	029-21363-005	029-21363-002	029-21363-006	029-21363-004
27		20	2	029-21363-005	029-21363-002	029-21363-006	029-21363-004
27		25	2	029-21363-005	029-21363-003	029-21363-006	029-21363-005
27		30	2	029-21363-005	029-21363-003	029-21363-006	029-21363-005
27		40	2	029-21363-006	029-21363-004	029-21363-008	029-21363-006
27		50	2	029-21363-006	029-21363-004	029-21363-008	029-21363-006
27	90-105	10	2	029-21363-005	029-21363-001	029-21363-005	029-21363-003
27		15	2	029-21363-005	029-21363-002	029-21363-006	029-21363-004
27		20	2	029-21363-005	029-21363-002	029-21363-006	029-21363-004
27		25	2	029-21363-005	029-21363-002	029-21363-006	029-21363-005
27		30	2	029-21363-005	029-21363-003	029-21363-006	029-21363-005
27		40	2	029-21363-006	029-21363-003	029-21363-008	029-21363-006
27		50	2	029-21363-006	029-21363-003	029-21363-008	029-21363-006
27		60	2	029-21363-006	029-21363-005	029-21363-008	029-21363-006

**TABLE 37 - SUPPLY FAN (FORWARD-CURVED) TWO-INCH ISOLATORS**

FIG	UNIT SIZE	MOTOR HP	FAN CLASS	BLOWER DRIVE	OPPOSITE BLOWER DRIVE	MOTOR DRIVE	OPPOSITE MOTOR DRIVE
26	50-65	10	2	029-21330-604	029-21330-604	029-21330-603	029-21330-604
26		15	2	029-21330-604	029-21330-604	029-21330-604	029-21330-604
26		20	2	029-21330-606	029-21330-604	029-21330-604	029-21330-604
26		25	2	029-21330-606	029-21330-604	029-21330-606	029-21330-606
26		30	2	029-21330-606	029-21330-604	029-21330-606	029-21330-606
26		40	2	029-21330-606	029-21330-606	029-21330-606	029-21330-606
27	70-85	10	2	029-21330-606	029-21330-601	029-21330-606	029-21330-603
27		15	2	029-21330-606	029-21330-602	029-21330-606	029-21330-604
27		20	2	029-21330-606	029-21330-602	029-21330-606	029-21330-604
27		25	2	029-21330-606	029-21330-603	029-21330-606	029-21330-606
27		30	2	029-21330-606	029-21330-604	029-21330-606	029-21330-606
27		40	2	029-21330-606	029-21330-604	029-21330-607	029-21330-606
27		50	2	029-21330-606	029-21330-604	029-21330-608	029-21330-606
27	90-105	10	2	029-21330-606	029-21330-601	029-21330-604	029-21330-603
27		15	2	029-21330-606	029-21330-602	029-21330-606	029-21330-603
27		20	2	029-21330-606	029-21330-602	029-21330-606	029-21330-604
27		25	2	029-21330-606	029-21330-602	029-21330-606	029-21330-604
27		30	2	029-21330-606	029-21330-603	029-21330-606	029-21330-606
27		40	2	029-21330-606	029-21330-603	029-21330-606	029-21330-606
27		50	2	029-21330-606	029-21330-603	029-21330-607	029-21330-606
27		60	2	029-21330-606	029-21330-603	029-21330-607	029-21330-606

**TABLE 38 - SUPPLY FAN (AIR-FOIL) ONE-INCH ISOLATORS**

FIG	UNIT SIZE	MOTOR HP	FAN CLASS	BLOWER DRIVE	OPPOSITE BLOWER DRIVE	MOTOR DRIVE	OPPOSITE MOTOR DRIVE
26	50-65	10	1	029-21363-004	029-21363-004	029-21363-003	029-21363-003
26			2	029-21363-005	029-21363-004	029-21363-003	029-21363-004
26		15	1	029-21363-005	029-21363-003	029-21363-004	029-21363-004
26			2	029-21363-005	029-21363-004	029-21363-004	029-21363-004
26		20	1	029-21363-005	029-21363-003	029-21363-005	029-21363-004
26			2	029-21363-005	029-21363-004	029-21363-005	029-21363-004
26		25	2	029-21363-006	029-21363-004	029-21363-005	029-21363-005
26		30	2	029-21363-006	029-21363-003	029-21363-006	029-21363-005
26		40	2	029-21363-006	029-21363-002	029-21363-006	029-21363-005
27	70-105	15	1	029-21363-006	029-21363-002	029-21363-005	029-21363-004
27			2	029-21363-006	029-21363-002	029-21363-005	029-21363-004
27		20	1	029-21363-006	029-21363-002	029-21363-005	029-21363-004
27			2	029-21363-006	029-21363-002	029-21363-006	029-21363-004
27		25	1	029-21363-006	029-21363-002	029-21363-006	029-21363-005
27			2	029-21363-006	029-21363-002	029-21363-006	029-21363-005
27		30	1	029-21363-006	029-21363-002	029-21363-006	029-21363-005
27			2	029-21363-006	029-21363-002	029-21363-006	029-21363-005
27		40	2	029-21363-008	029-21363-003	029-21363-008	029-21363-006
27		50	2	029-21363-008	029-21363-003	029-21363-008	029-21363-006
27		60	2	029-21363-008	029-21363-003	029-21363-008	029-21363-006

**TABLE 39 - SUPPLY FAN (AIR-FOIL) TWO-INCH ISOLATORS**

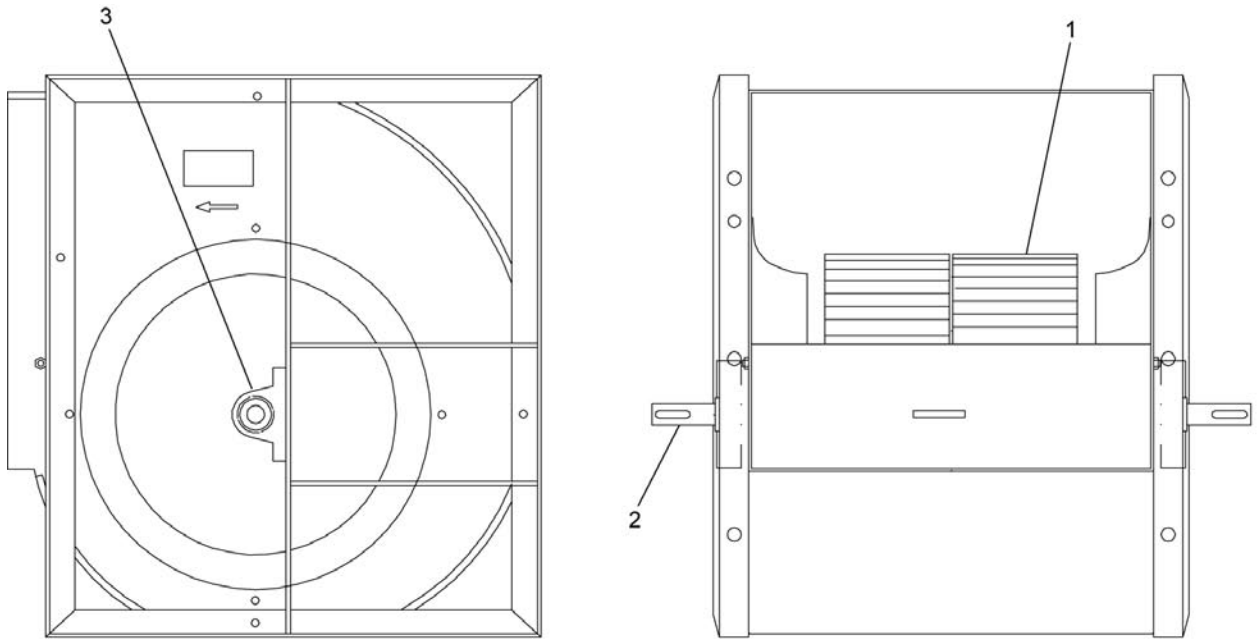
FIG	UNIT SIZE	MOTOR HP	FAN CLASS	BLOWER DRIVE	OPPOSITE BLOWER DRIVE	MOTOR DRIVE	OPPOSITE MOTOR DRIVE
26	50-65	10	1	029-21330-606	029-21330-604	029-21330-608	029-21330-606
26			2	029-21330-606	029-21330-603	029-21330-606	029-21330-604
26		15	1	029-21330-604	029-21330-603	029-21330-603	029-21330-604
26			2	029-21330-604	029-21330-604	029-21330-603	029-21330-604
26		20	1	029-21330-606	029-21330-603	029-21330-604	029-21330-604
26			2	029-21330-606	029-21330-604	029-21330-604	029-21330-604
26		25	2	029-21330-606	029-21330-604	029-21330-606	029-21330-604
26		30	2	029-21330-606	029-21330-604	029-21330-606	029-21330-606
26		40	2	029-21330-606	029-21330-603	029-21330-606	029-21330-606
27	70-105	15	1	029-21330-606	029-21330-602	029-21330-606	029-21330-606
27			2	029-21330-606	029-21330-603	029-21330-606	029-21330-606
27		20	1	029-21330-606	029-21330-603	029-21330-606	029-21330-604
27			2	029-21330-606	029-21330-603	029-21330-606	029-21330-604
27		25	1	029-21330-606	029-21330-603	029-21330-606	029-21330-604
27			2	029-21330-606	029-21330-603	029-21330-606	029-21330-604
27		30	1	029-21330-606	029-21330-603	029-21330-606	029-21330-606
27			2	029-21330-606	029-21330-603	029-21330-606	029-21330-606
27		40	2	029-21330-606	029-21330-603	029-21330-606	029-21330-606
27		50	2	029-21330-607	029-21330-603	029-21330-607	029-21330-606
27		60	2	029-21330-607	029-21330-603	029-21330-607	029-21330-606

**TABLE 40 - ISOLATOR PART NUMBER IDENTIFICATION BY COLOR**

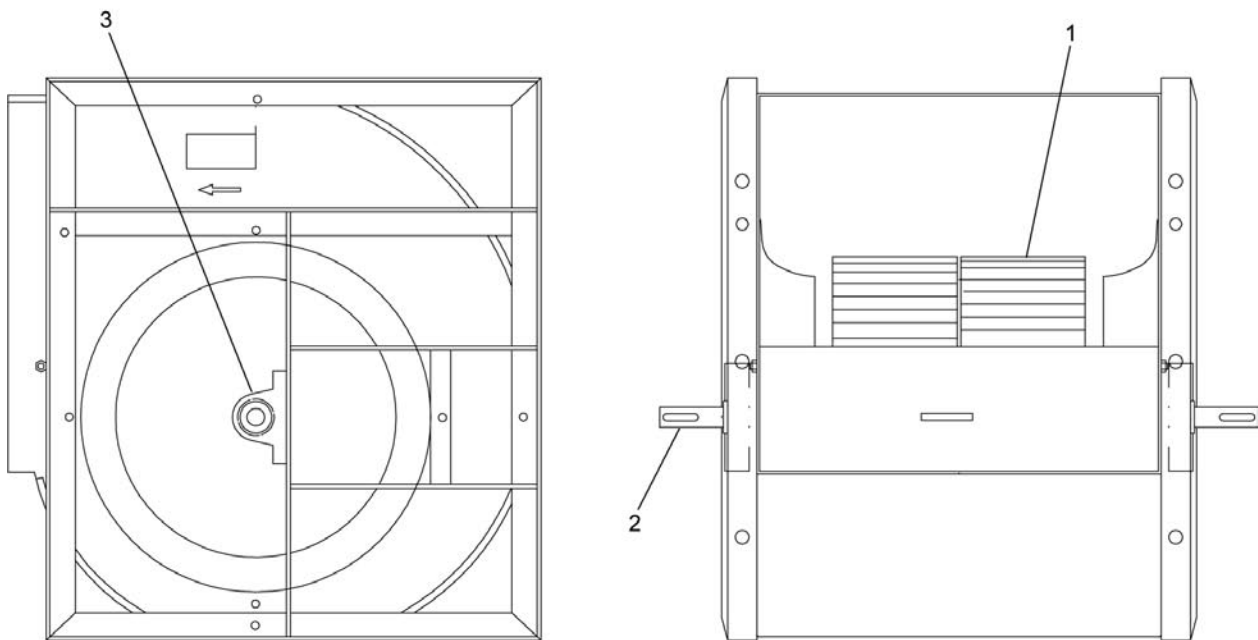
ONE INCH SPRING ISOLATORS		TWO INCH SPRING ISOLATORS	
COLOR	PART NUMBER	COLOR	PART NUMBER
BLUE	029-21363-001	BLUE	029-21330-601
BLUE/PINK	029-21363-002	YELLOW	029-21330-602
BLUE/BLACK	029-21363-003	BLACK	029-21330-603
BLUE/BLUE	029-21363-004	PURPLE	029-21330-604
BLACK	029-21363-005	RED	029-21330-606
BLACK/YELLOW	029-21363-006	RED/BLACK	029-21330-607
RED/BROWN	029-21363-008	RED/GREEN	029-21330-608

**TABLE 41 - SUPPLY FAN REPLACEMENT PARTS**

FIGURE	ITEM	SUPPLY FAN PART NUMBER	TYPE	PART DESCRIPTION	QTY	PART NUMBER
28	1	026-36310-425	Forward-Curved	Wheel	1	CAJ74600264
28	2			Shaft	1	CAJ74604384
28	3			Bearing	2	CAJ99913322
28	1	026-36311-428	Forward-Curved	Wheel	1	CAJ75200263
28	2			Shaft	1	CAJ75204384
28	3			Bearing	2	CAJ99913322
28	1	026-36311-228	Forward-Curved	Wheel	1	CAJ75400263
28	2			Shaft	1	CAJ75404384
28	3			Bearing	2	CAJ99913297
29	1	026-36313-125	Airfoil	Wheel	1	CAJ848E0261
29	2			Shaft	1	CAJ74804382
29	3			Bearing	2	CAJ99913299
29	1	026-36313-225	Airfoil	Wheel	1	CAJ848E0262
29	2			Shaft	1	CAJ74804383
29	3			Bearing	2	CAJ99BEA007
29	1	026-36313-132	Airfoil	Wheel	1	CAJ866E0260
29	2			Shaft	1	CAJ76604382
29	3			Bearing	2	CAJ99913296
29	1	026-36313-232	Airfoil	Wheel	1	CAJ866E0261
29	2			Shaft	1	CAJ76604383
29	3			Bearing	2	CAJ99BEA005

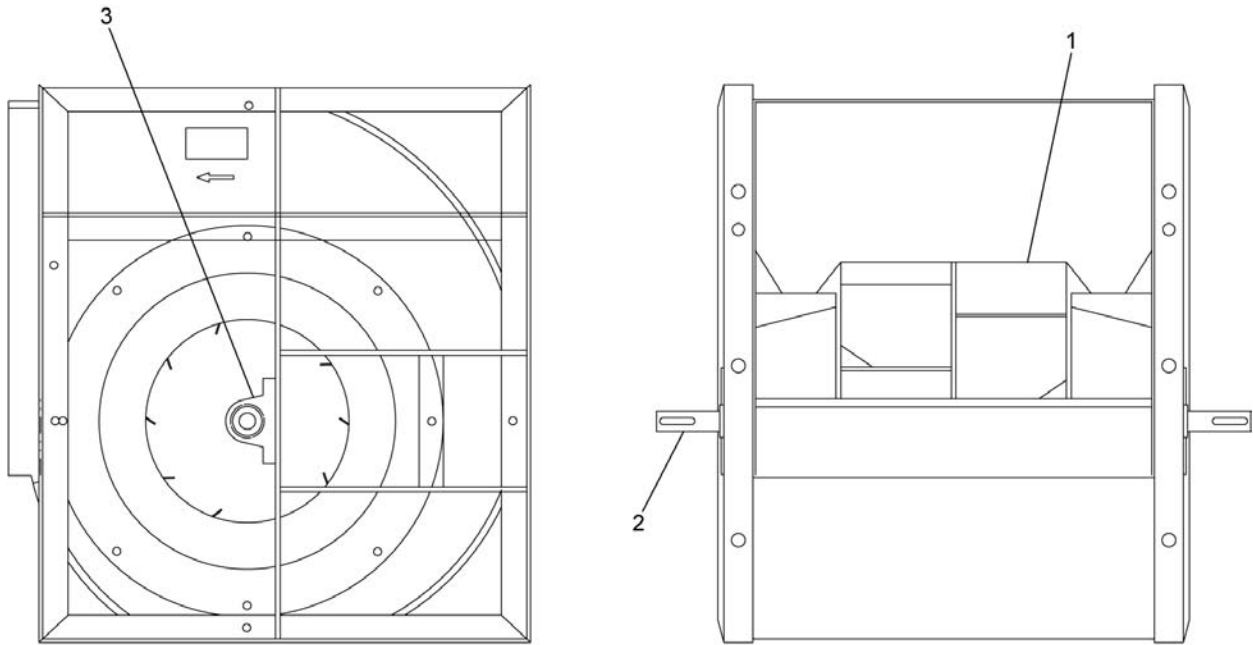


026-36310-425

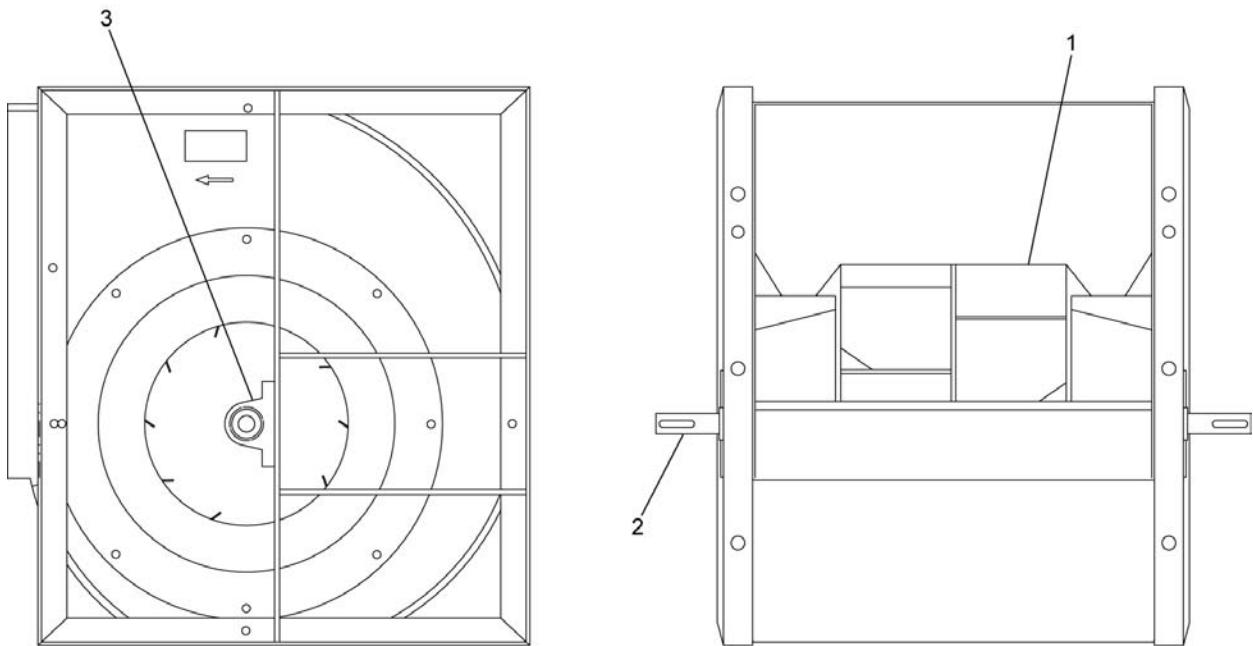


026-36311-428 AND 026-36311-228

**FIG. 28 - SUPPLY FAN (FORWARD-CURVED) REPLACEMENT PARTS**



026-36313-132 AND 026-36313-232



026-36313-125 AND 026-36313-225

LD11851

**FIG. 29 - SUPPLY FAN (AIR-FOIL) REPLACEMENT PARTS**

**TABLE 42 - SUPPLY FAN VARIABLE FREQUENCY DRIVES**

FIG.	ITEM	UNIT SIZE	MOTOR HP	PART NUMBER				
				200-230 VOLTS (60 HERTZ)	460 VOLTS (60 HERTZ)	575 VOLTS (60 HERTZ)	400 VOLTS (50 HERTZ)	380 VOLTS (50 HERTZ)
30	1	50-105	10	025-36261-005	025-36263-005	025-36265-002	025-36263-006	025-36263-006
30	1		15	025-36261-006	025-36263-006	025-36265-003	025-36263-007	025-36263-007
30	1		20	025-36261-007	025-36263-007	025-36265-004	025-36263-008	025-36263-008
30	1		25	025-36261-008	025-36263-008	025-36265-005	025-36263-009	025-36263-009
30	1		30	025-36261-009	025-36263-009	025-36265-006	025-36263-010	025-36263-010
30	1		40	025-36261-010	025-36263-010	025-36265-007	025-36263-011	025-36263-011
30	1	70-105	50	025-36261-011	025-36263-011	025-36265-008	025-36263-012	025-36263-012
30	1		60	025-36261-012	025-36263-012	025-36265-009	025-36263-013	025-36263-013

**TABLE 43 - SUPPLY FAN VFD BYPASS PANELS**

FIG	ITEM	UNIT SIZE	MOTOR HP	PART NUMBER				
				200 VOLTS (60 HERTZ)	230 VOLTS (60 HERTZ)	460 VOLTS (60 HERTZ)	575 VOLTS (60 HERTZ)	400 VOLTS (50 HERTZ) 380 VOLTS (60 HERTZ)
30	2	50-105	10	325-36321-006	325-36321-005	325-36321-003	325-36321-002	325-36321-003
30	2		15	325-36321-007	325-36321-007	325-36321-004	325-36321-003	325-36321-005
30	2		20	325-36321-008	325-36321-008	325-36321-004	325-36321-004	325-36321-006
30	2		25	325-36321-009 <sup>1</sup>	325-36321-009 <sup>1</sup>	325-36321-005	325-36321-005	325-36321-007
30	2		30	325-36321-010 <sup>1</sup>	325-36321-010 <sup>1</sup>	325-36321-006	325-36321-006	325-36321-008
30	2		40	325-36321-011 <sup>2</sup>	325-36321-010 <sup>1</sup>	325-36321-007	325-36321-007	325-36321-009 <sup>1</sup>
30	2	70-105	50	325-36321-012 <sup>2</sup>	325-36321-011 <sup>2</sup>	325-36321-008	325-36321-008	325-36321-009 <sup>1</sup>
30	2		60	325-36321-012 <sup>2</sup>	325-36321-012 <sup>2</sup>	325-36321-009 <sup>1</sup>	325-36321-008	325-36321-010 <sup>1</sup>

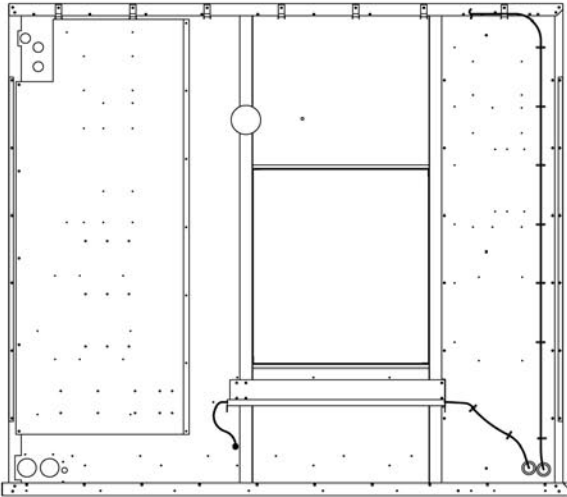
## NOTE:

See TABLE 47 for VFD Bypass Panel Replacement Parts.

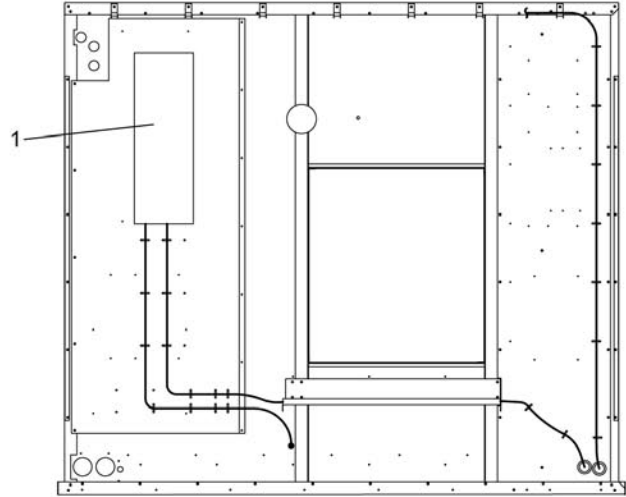
Bypass Panels = 12 x 16 unless otherwise noted.

<sup>1</sup>Bypass Panels = 16 x 16.<sup>2</sup>Bypass Panels = 16 x 20.

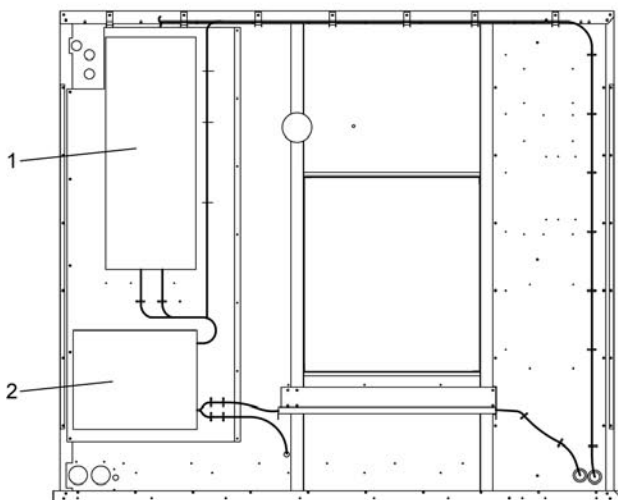
NO SUPPLY FAN VFD



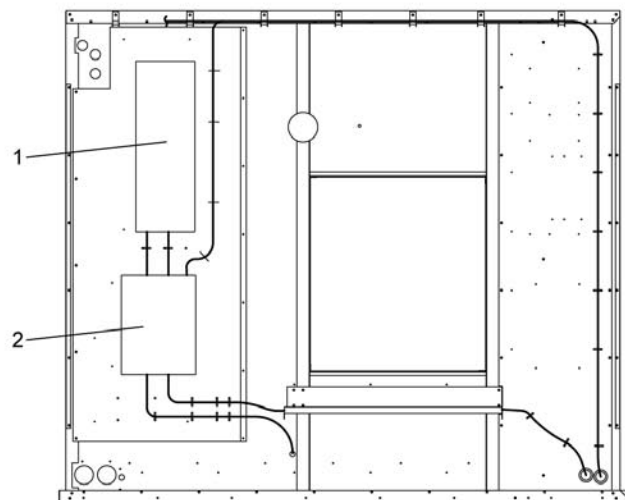
SUPPLY FAN VFD WITHOUT BYPASS



SUPPLY FAN VFD WITH 16 x 20 BYPASS



SUPPLY FAN VFD WITH 12 x 16 OR 16 x 16 BYPASS



LD11853

**FIG. 30 - SUPPLY FAN MOTOR VFD AND VFD BYPASS PANEL**

**TABLE 44 - EXHAUST FAN MOTOR VARIABLE FREQUENCY DRIVES**

FIG	ITEM	UNIT SIZE	MOTOR HP	PART NUMBER				
				200-230 VOLTS (60 HERTZ)	460 VOLTS (60 HERTZ)	575 VOLTS (60 HERTZ)	400 VOLTS (50 HERTZ)	380 VOLTS (60 HERTZ)
31	3	50-105	5	025-36261-003	025-36263-003	025-36265-000	025-36263-003	025-36263-003
31	3		7.5	025-36261-004	025-36263-004	025-36265-001	025-36263-005	025-36263-005
31	3		10	025-36261-005	025-36263-005	025-36265-002	025-36263-006	025-36263-006
31	3		15	025-36261-006	025-36263-006	025-36265-003	025-36263-007	025-36263-007
31	3		20	025-36261-007	025-36263-007	025-36265-004	025-36263-008	025-36263-008
31	3	70-105	25	025-36261-008	025-36263-008	025-36265-005	025-36263-009	025-36263-009
31	3		30	025-36261-009	025-36263-009	025-36265-006	025-36263-010	025-36263-010

**TABLE 45 - RETURN FAN MOTOR VARIABLE FREQUENCY DRIVES**

FIG	ITEM	UNIT SIZE	MOTOR HP	PART NUMBER				
				200-230 VOLTS (60 HERTZ)	460 VOLTS (60 HERTZ)	575 VOLTS (60 HERTZ)	400 VOLTS (50 HERTZ)	380 VOLTS (60 HERTZ)
31	3	50-105	5	025-36261-005	025-36263-005	025-36265-002	025-36263-006	025-36263-006
31	3		7.5	025-36261-006	025-36263-006	025-36265-003	025-36263-007	025-36263-007
31	3		10	025-36261-007	025-36263-007	025-36265-004	025-36263-008	025-36263-008
31	3		15	025-36261-009	025-36263-009	025-36265-006	025-36263-010	025-36263-010
31	3	90-105	20	025-36261-010	025-36263-010	025-36265-007	025-36263-011	025-36263-011

**TABLE 46 - EXHAUST FAN MOTOR VFD BYPASS PANELS**

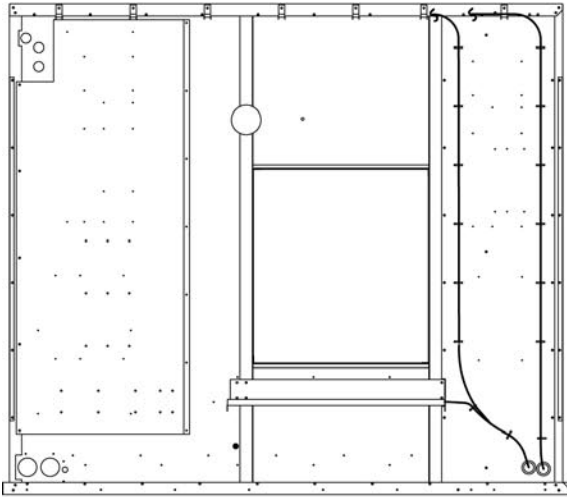
FIG	ITEM	UNIT SIZE	MOTOR HP	PART NUMBER				
				200-230 VOLTS (60 HERTZ)	460 VOLTS (60 HERTZ)	575 VOLTS (60 HERTZ)	400 VOLTS (50 HERTZ)	380 VOLTS (60 HERTZ)
31	4	50-105	5	NA	325-36321-001	325-36321-001	325-36321-002	325-36321-002
31	4		7.5	NA	325-36321-002	325-36321-001	325-36321-003	325-36321-003
31	4		10	NA	325-36321-003	325-36321-002	325-36321-003	325-36321-003
31	4		15	NA	325-36321-004	325-36321-003	325-36321-005	325-36321-005
31	4		20	NA	325-36321-004	325-36321-004	325-36321-006	325-36321-006
31	4	70-105	25	NA	325-36321-005	325-36321-005	325-36321-007	325-36321-007
31	4		30	NA	325-36321-006	325-36321-006	325-36321-008	325-36321-008

## NOTE:

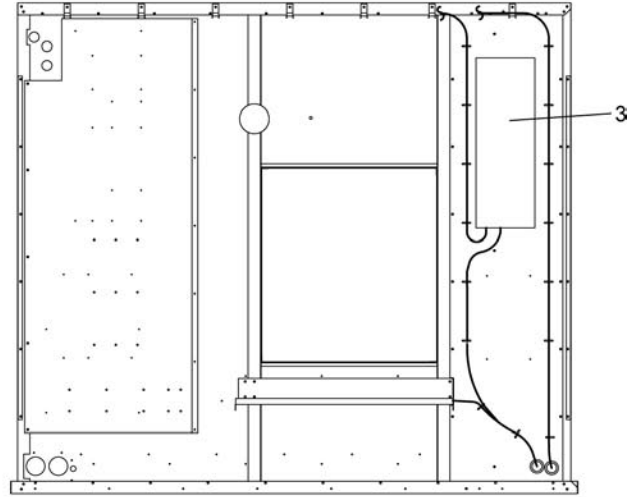
See TABLE 47 for VFD Bypass Panel Replacement Parts.

Bypass Panels = 12 x 16 unless otherwise noted.

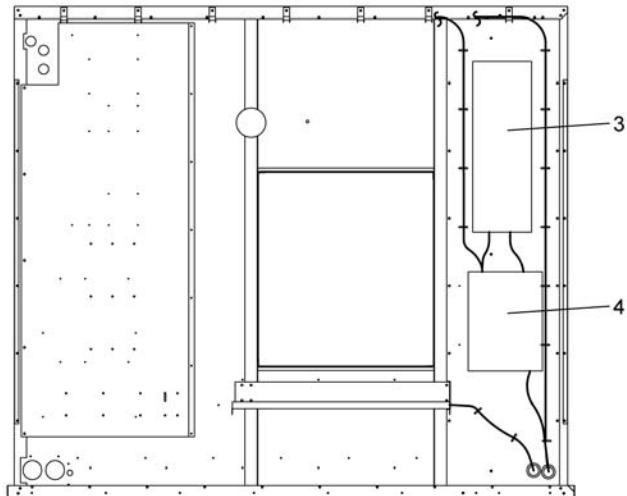
NO EXHAUST FAN VFD



EXHAUST FAN VFD WITHOUT BYPASS



EXHAUST FAN VFD WITH BYPASS

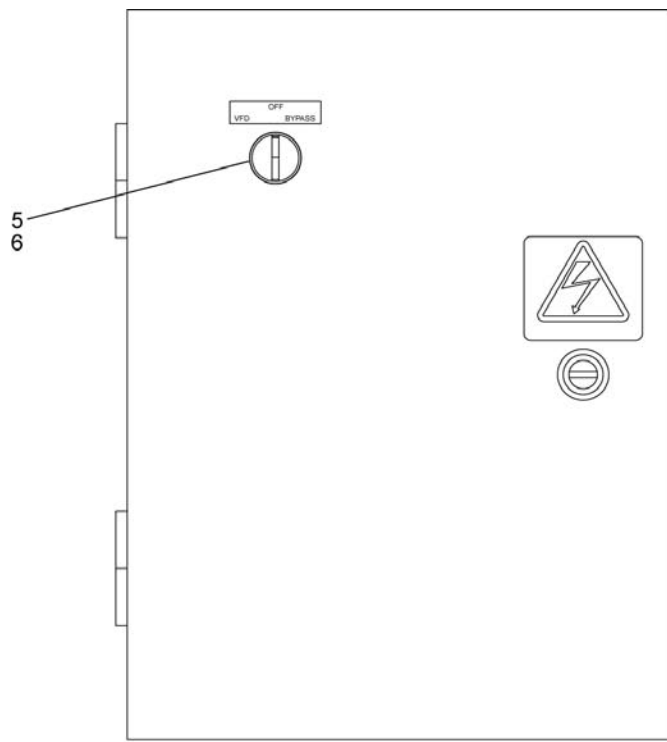


LD11853

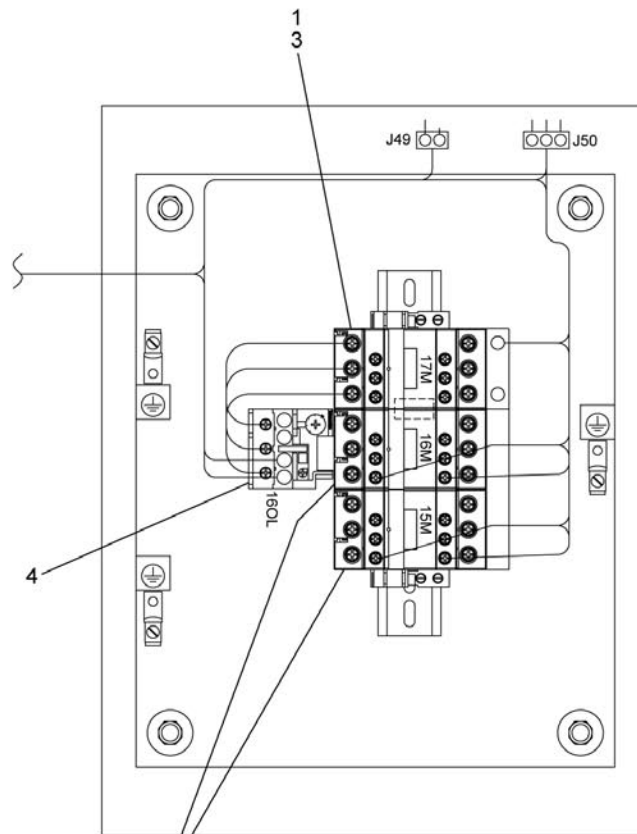
**FIG. 31 - EXHAUST FAN MOTOR VDF AND VFD BYPASS PANEL**

**TABLE 47 - VFD BYPASS PANEL REPLACEMENT PARTS**

FIGURE	ITEM	VFD BYPASS BOX PART NUMBER	PART DESCRIPTION	PART NUMBER	QUANTITY
32	1	325-36321-001	Contactors	024-34300-000	3
32	2		Surge Suppressor	031-02106-000	2
32	3		Surge Suppressor	031-02104-000	1
32	4		Overload Relay	024-34321-000	1
32	1	325-36321-002	Contactors	024-34304-000	3
32	2		Surge Suppressor	031-02106-000	2
32	3		Surge Suppressor	031-02104-000	1
32	4		Overload Relay	024-34322-000	1
32	1	325-36321-003	Contactors	024-34305-000	3
32	2		Surge Suppressor	031-02106-000	2
32	3		Surge Suppressor	031-02104-000	1
32	4		Overload Relay	024-34323-000	1
32	1	325-36321-004	Contactors	024-34306-000	3
32	2		Surge Suppressor	031-02106-000	2
32	3		Surge Suppressor	031-02104-000	1
32	4		Overload Relay	024-34324-000	1
33	1	325-36321-005	Contactors	024-34307-000	3
33	2		Surge Suppressor	031-02101-000	3
33	4		Overload Relay	024-34325-000	1
33	1	325-36321-006	Contactors	024-34308-000	3
33	2		Surge Suppressor	031-02101-000	3
33	4		Overload Relay	024-34326-000	1
33	1	325-36321-007	Contactors	024-34309-000	3
33	2		Surge Suppressor	031-02101-000	3
33	4		Overload Relay	024-34327-000	1
34	1	325-36321-008	Contactors	024-34310-000	3
34	2		Surge Suppressor	031-02101-000	3
34	4		Overload Relay	024-34328-000	1
35	1	325-36321-009	Contactors	024-31109-000	3
35	2		Surge Suppressor	031-02203-000	3
35	4		Overload Relay	024-34329-000	1
35	1	325-36321-010	Contactors	024-31110-000	3
35	2		Surge Suppressor	031-02203-000	3
35	4		Overload Relay	024-33133-000	1
36	1	325-36321-011	Contactors	024-31891-000	3
36	2		Surge Suppressor	031-02203-000	3
36	4		Overload Relay	024-34295-000	1
36	1	325-36321-012	Contactors	024-31892-000	3
36	2		Surge Suppressor	031-02203-000	3
36	4		Overload Relay	024-34296-000	1
32-36	5	All	Selector Switch	028-14329-000	1
	6		Contact Block	028-14330-000	3



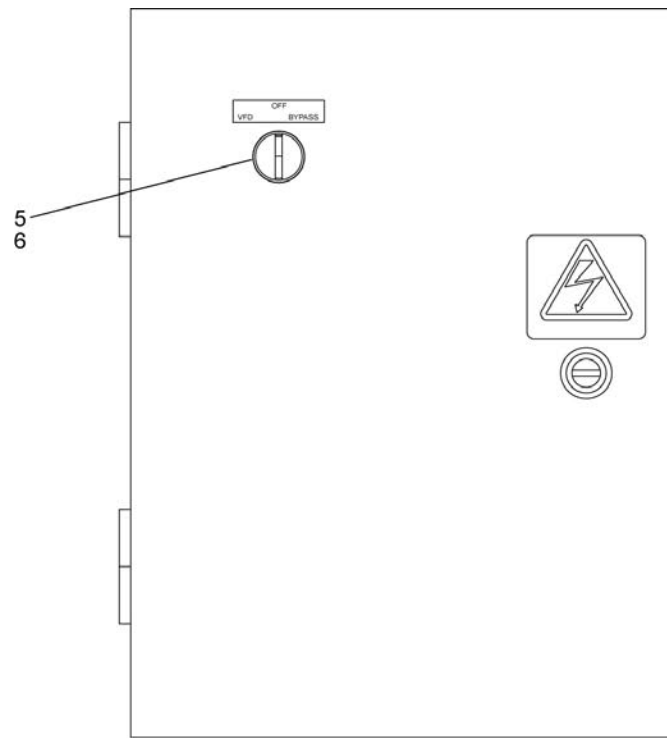
DOOR



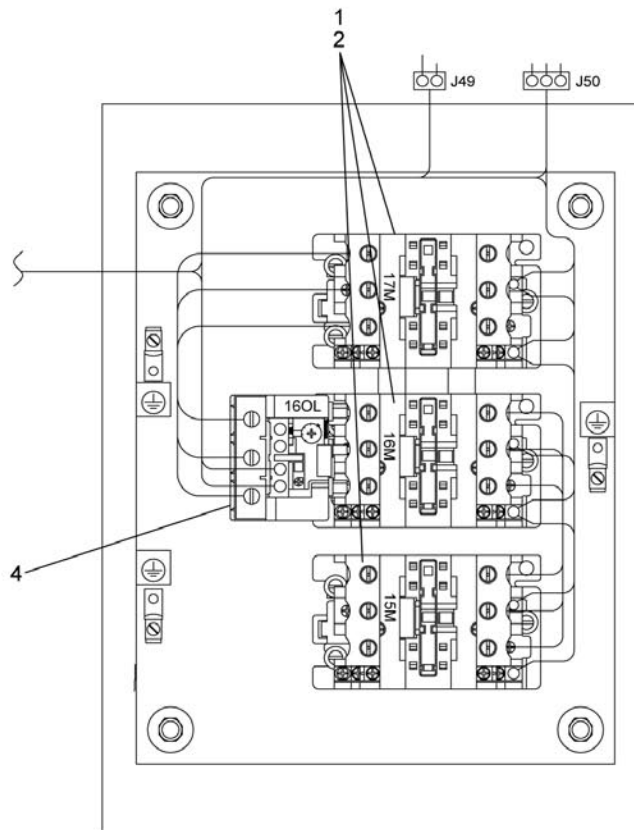
BACK PANEL

1  
2

**FIG. 32 - VFD BYPASS PANEL REPLACEMENT PARTS (6-25 MOTOR FLA)**

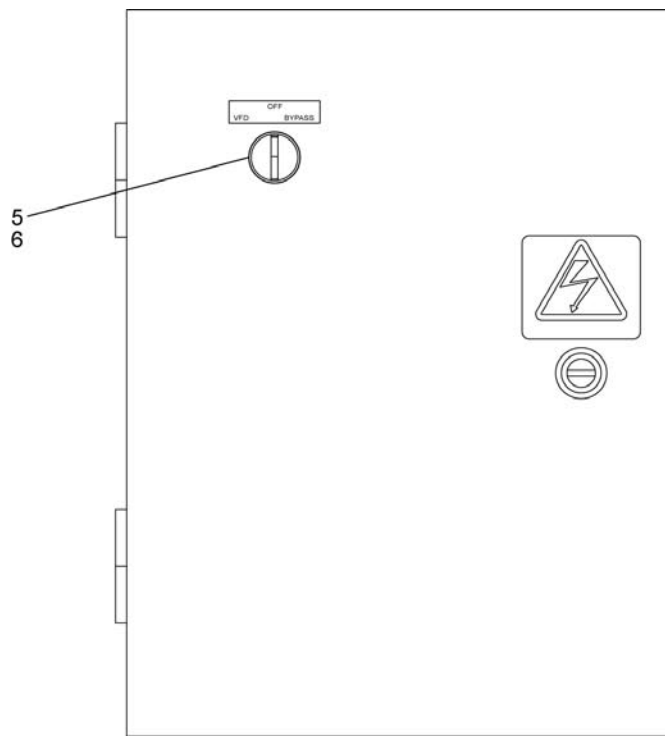


DOOR

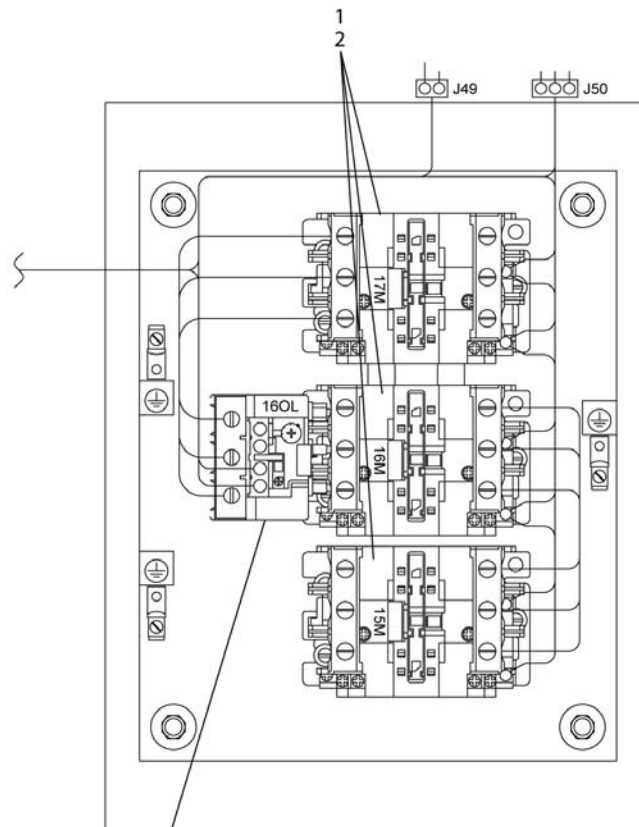


BACK PANEL

**FIG. 33 - VFD BYPASS PANEL REPLACEMENT PARTS (23-50 MOTOR FLA)**



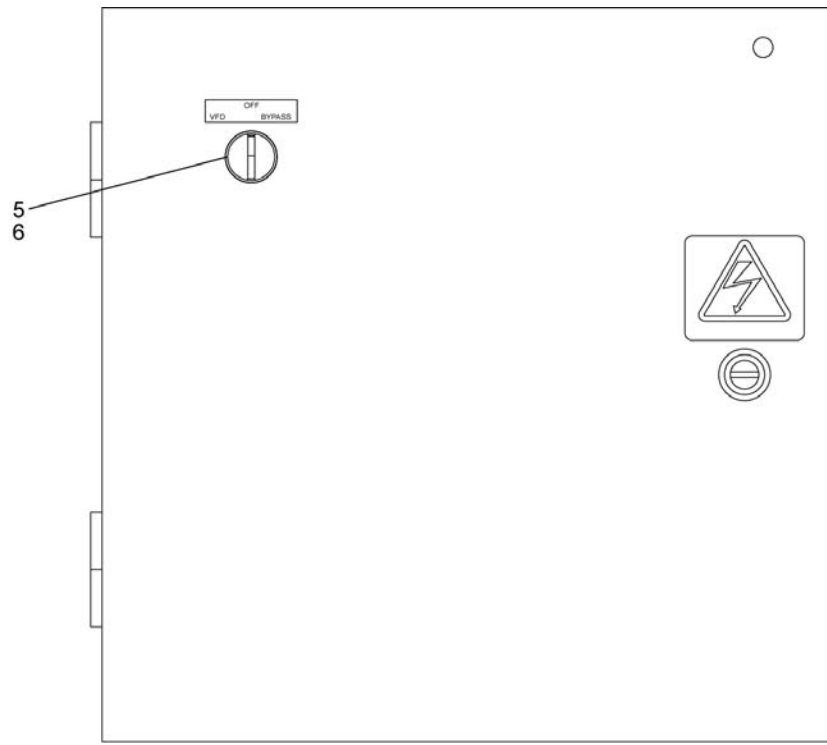
DOOR



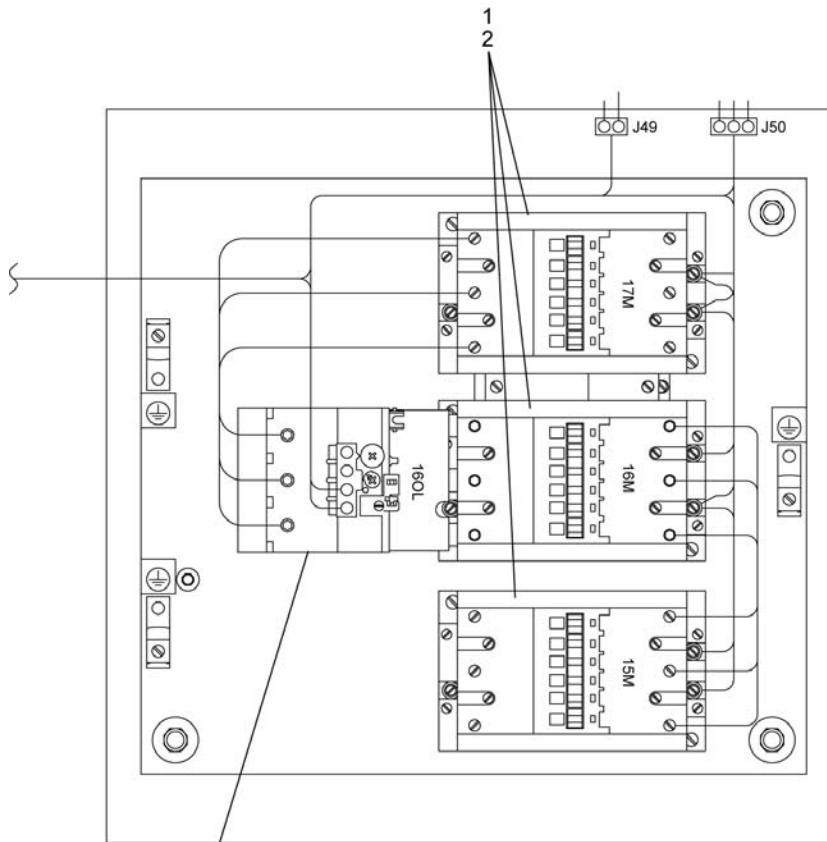
BACK PANEL

LD11857

**FIG. 34 - VFD BYPASS PANEL REPLACEMENT PARTS (48-65 MOTOR FLA)**

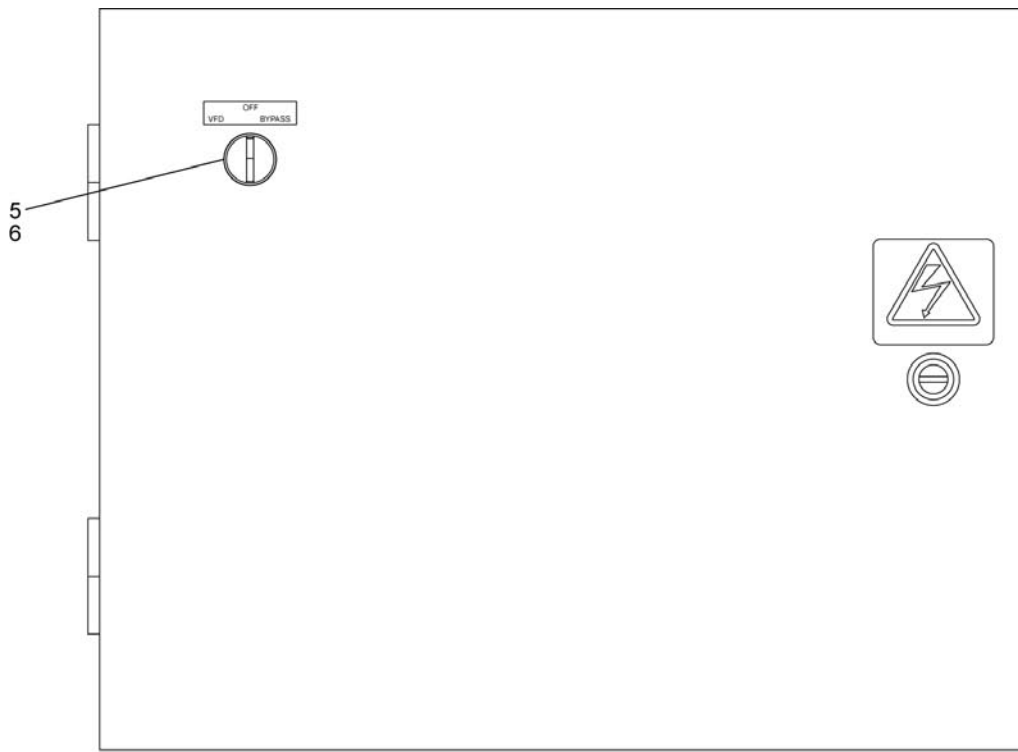


DOOR

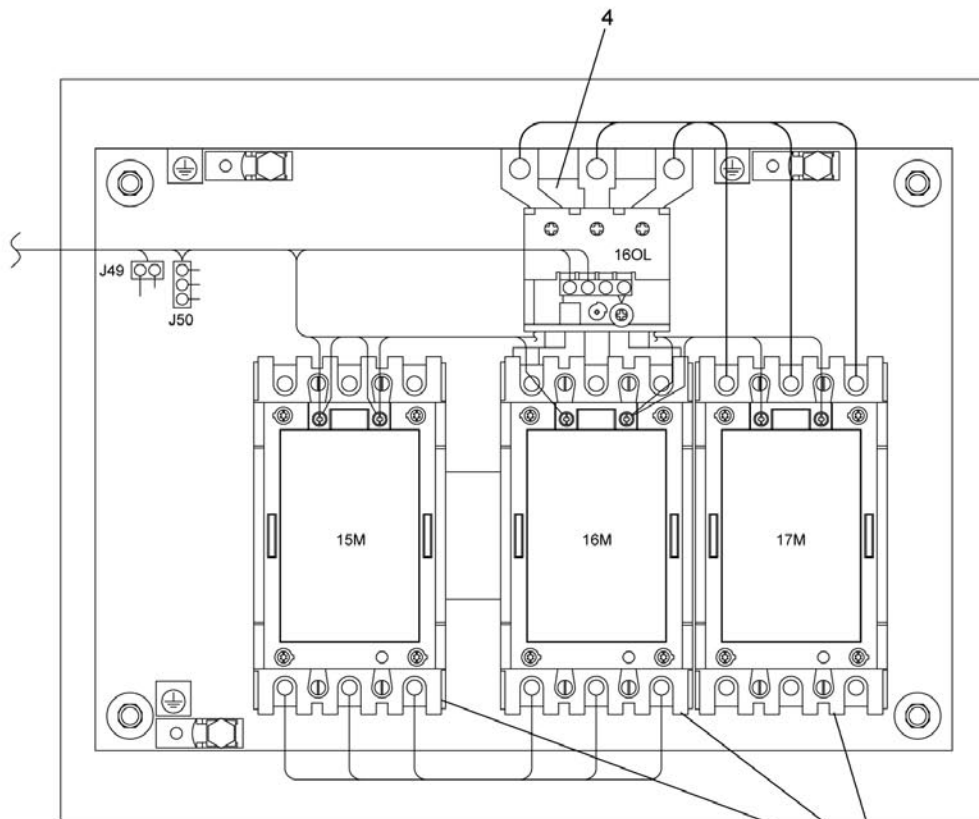


BACK PANEL

**FIG. 35 - VFD BYPASS PANEL REPLACEMENT PARTS (60-110 MOTOR FLA)**



DOOR



BACK PANEL

1  
2

LD11859

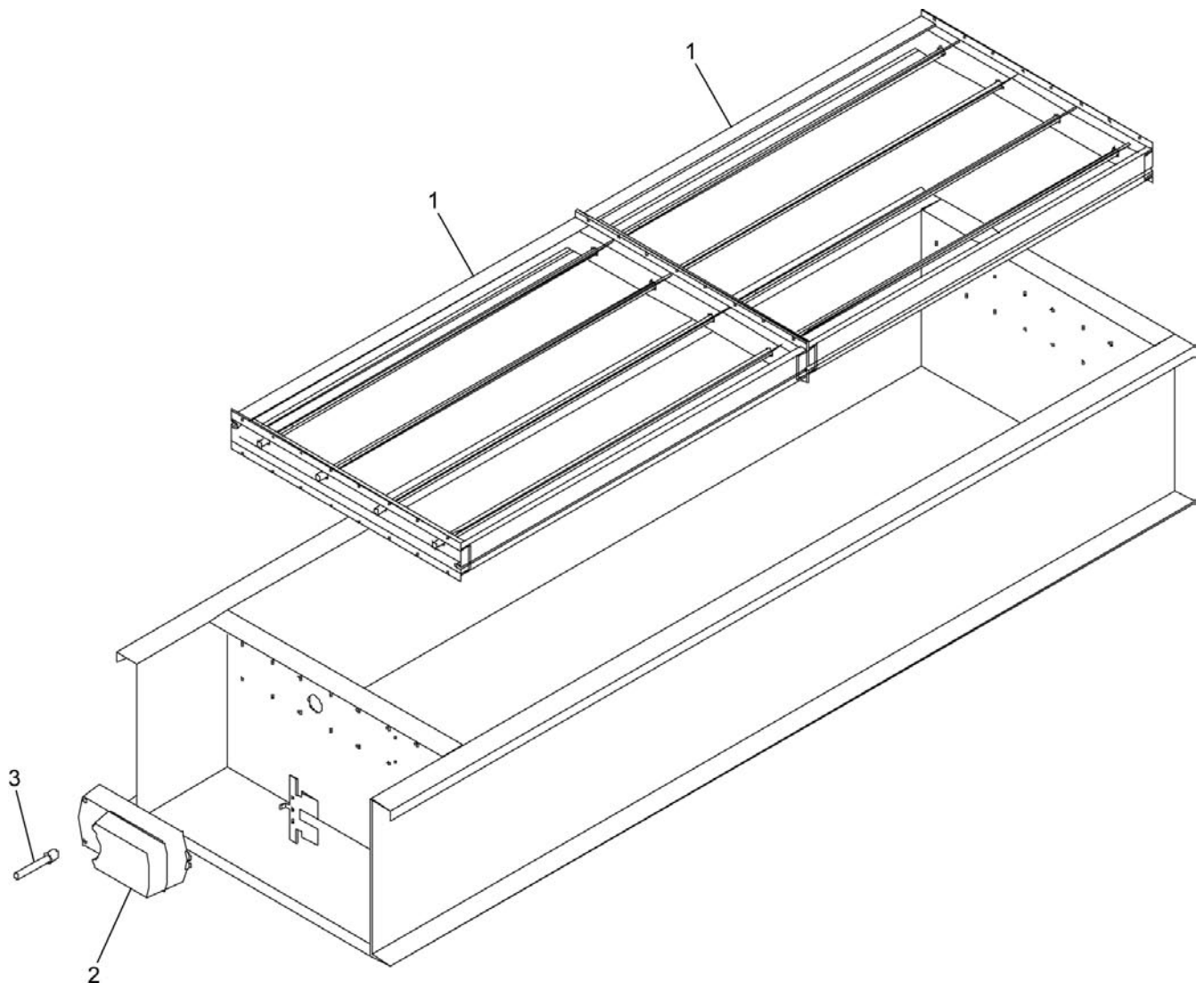
**FIG. 36 - VFD BYPASS PANEL REPLACEMENT PARTS (110-200 MOTOR FLA)**

**TABLE 48 - FLEXSYS BYPASS DAMPERS AND ACTUATORS**

FIGURE	ITEM	UNIT SIZE	DESCRIPTION	PART NUMBER
37	1	50-65	Control Damper, 36" x 24"	026-36432-001
37	1	70-85	Control Damper, 36" x 30"	026-36432-002
37	1	90-105	Control Damper, 36" x 36"	026-36432-003
*		50-105	Damper Coupling Kit <sup>1</sup>	026-36391-005
37	2		Actuator, JCI	025-35774-016
37	2		Actuator, Belimo	025-30958-009
37	3		Blade Pin Extension	026-36428-000

NOTE:

\* Item NOT shown.

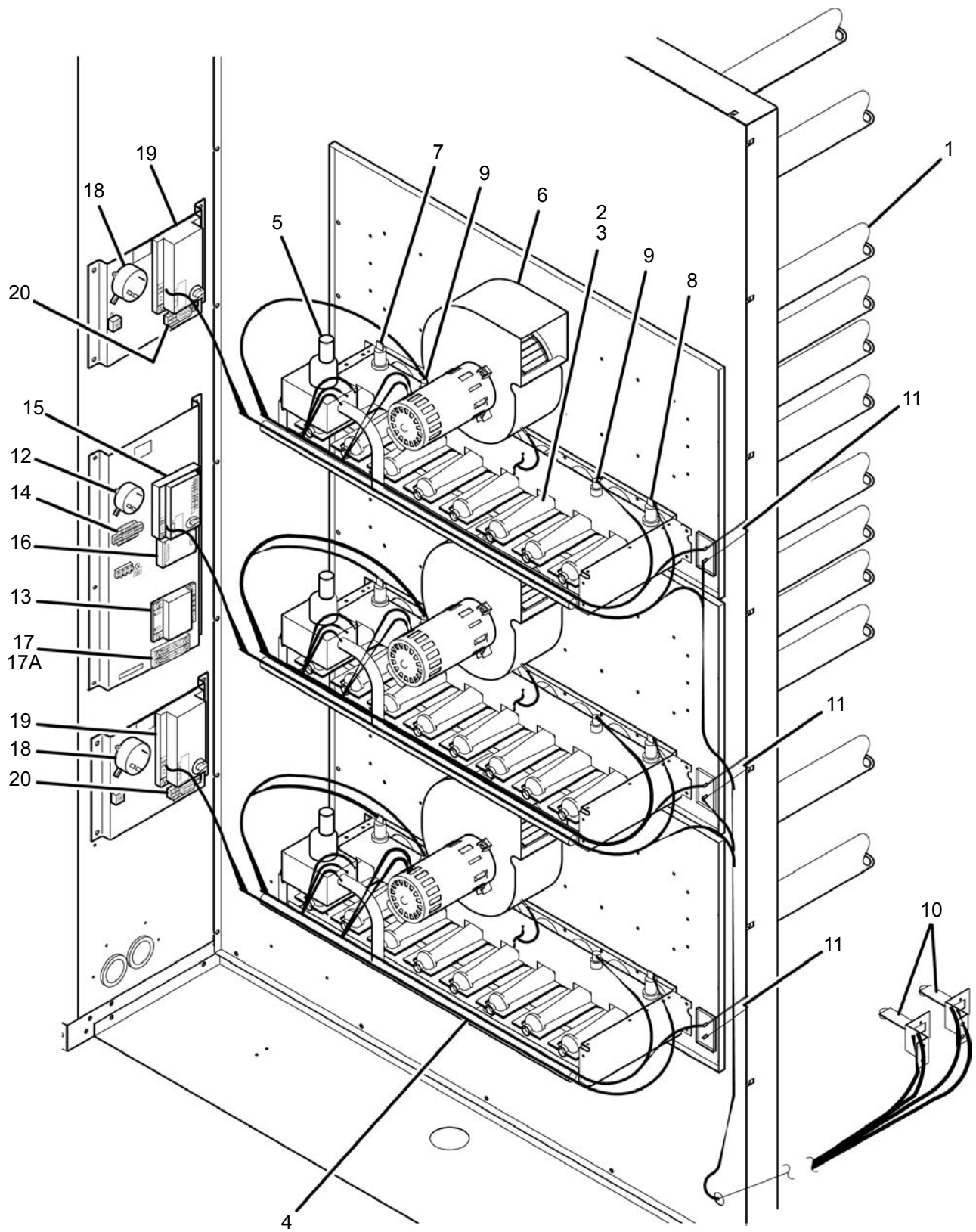
<sup>1</sup>Damper coupling kit is required whenever replacement dampers are ordered.

LD11860

**FIG. 37 - FLEXSYS BYPASS DAMPERS AND ACTUATORS**

**TABLE 49 - STAGED GAS HEAT**

<b>FIGURE</b>	<b>ITEM</b>	<b>DESCRIPTION</b>	<b>PART NUMBER</b>
38	1	HEAT EXCHANGER ASSY, ALUMINIZED STEEL	026-36442-000
38	1	HEAT EXCHANGER ASSY, STAINLESS STEEL	026-36441-000
38	2	BURNER, NATURAL GAS	026-36440-000
38	2	BURNER, PROPANE	026-40812-000
38	3	ORIFICE, NATURAL GAS	023-20077-000
38	3	ORIFICE, PROPANE	023-21664-000
38	4	MANIFOLD	029-22038-000
38	5	PROPANE GAS VALVE CONVERSION KIT	025-35723-000
38	5	GAS VALVE	026-36402-000
38	6	COMBUSTION BLOWER MOTOR/FAN	026-36401-000
38	7	FLAME SENSOR	025-36314-000
38	8	SPARK IGNITOR	025-36313-000
38	9	ROLL-OUT SWITCH	025-36315-000
38	10	HIGH TEMP LIMIT SWITCH, 150° F	025-37507-001
38	11	HIGH TEMP LIMIT SWITCH, 140° F	025-36312-000
38	12	SWITCH, PRESSURE, -1.35" ON PRESSURE FALL	025-36379-001
38	13	TRANSFORMER, 110VA	025-40804-000
38	14	RELAY, MINIATURE	025-39357-000
38	15	IGNITION CONTROL	025-37648-000
38	16	DIGITAL INPUT, MULTIPLEXOR	025-36448-000
38	17	FUSEBLOCK, 2P, 30A	025-34427-000
38	17A	FUSE, 2A	025-38309-000
38	18	SWITCH, PRESSURE, -1.35" ON PRESSURE FALL	025-36379-001
38	19	IGNITION CONTROL	025-37648-000
38	20	RELAY, MINIATURE	025-39357-000

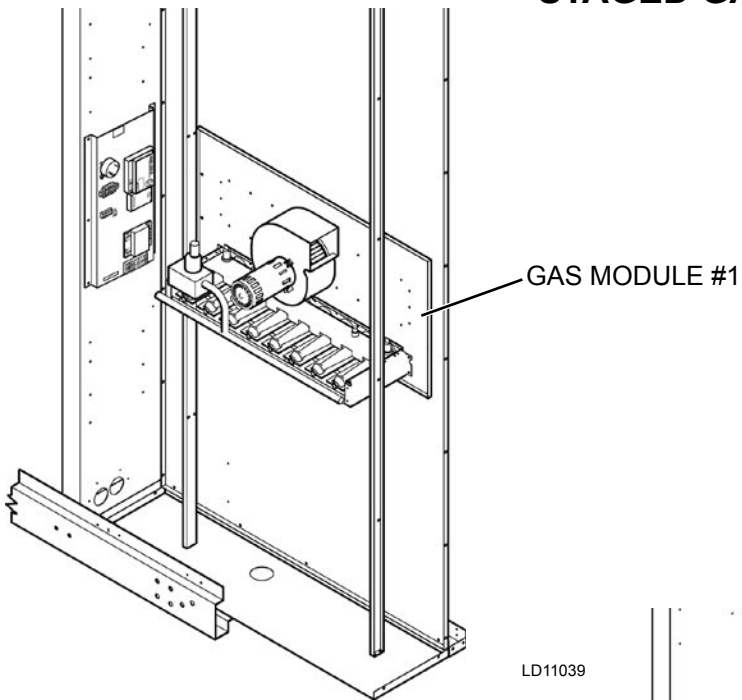


NOTE:  
Triple Burner Assembly shown.

LD11042

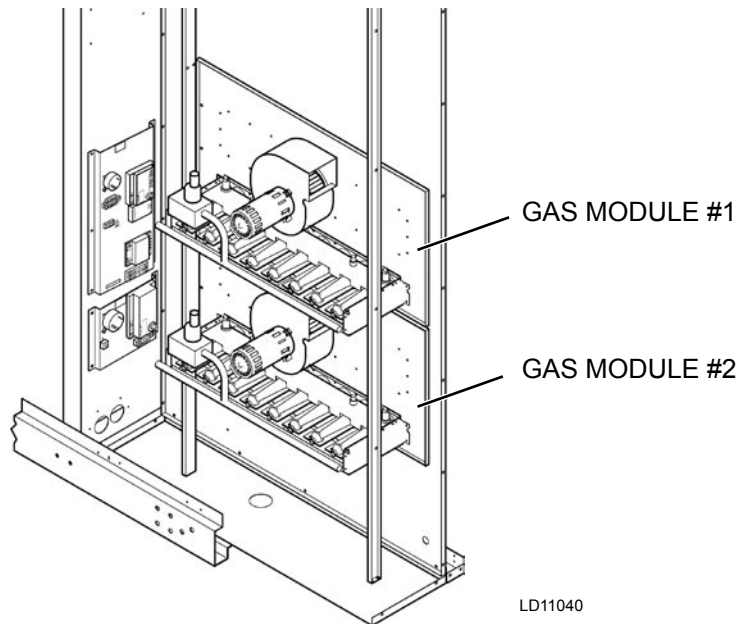
**FIG. 38 - STAGED GAS HEAT**

# STAGED GAS HEAT



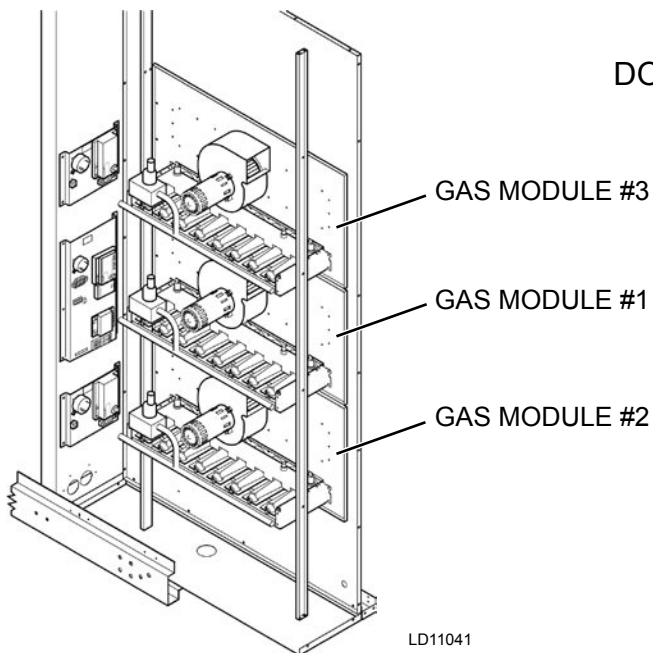
SINGLE BURNER ASSEMBLY

LD11039



DOUBLE BURNER ASSEMBLY

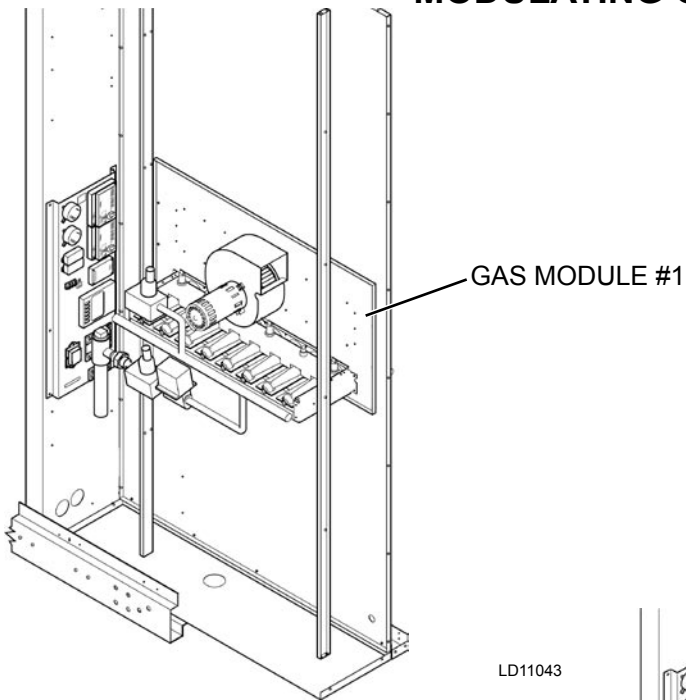
LD11040



TRIPLE BURNER ASSEMBLY

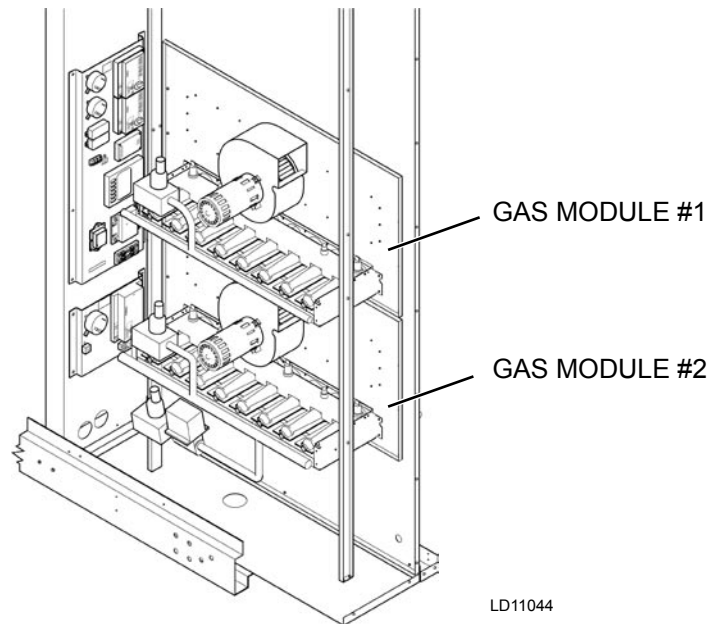
LD11041

# MODULATING GAS HEAT



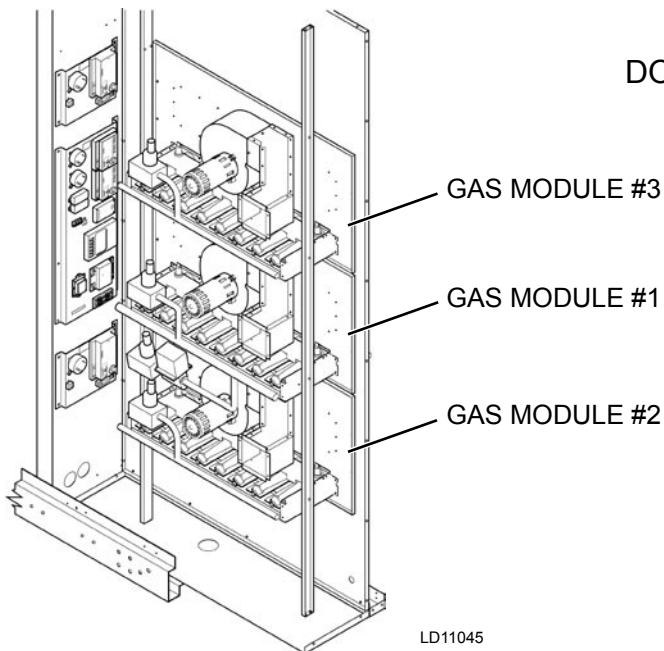
SINGLE BURNER ASSEMBLY

LD11043



DOUBLE BURNER ASSEMBLY

LD11044

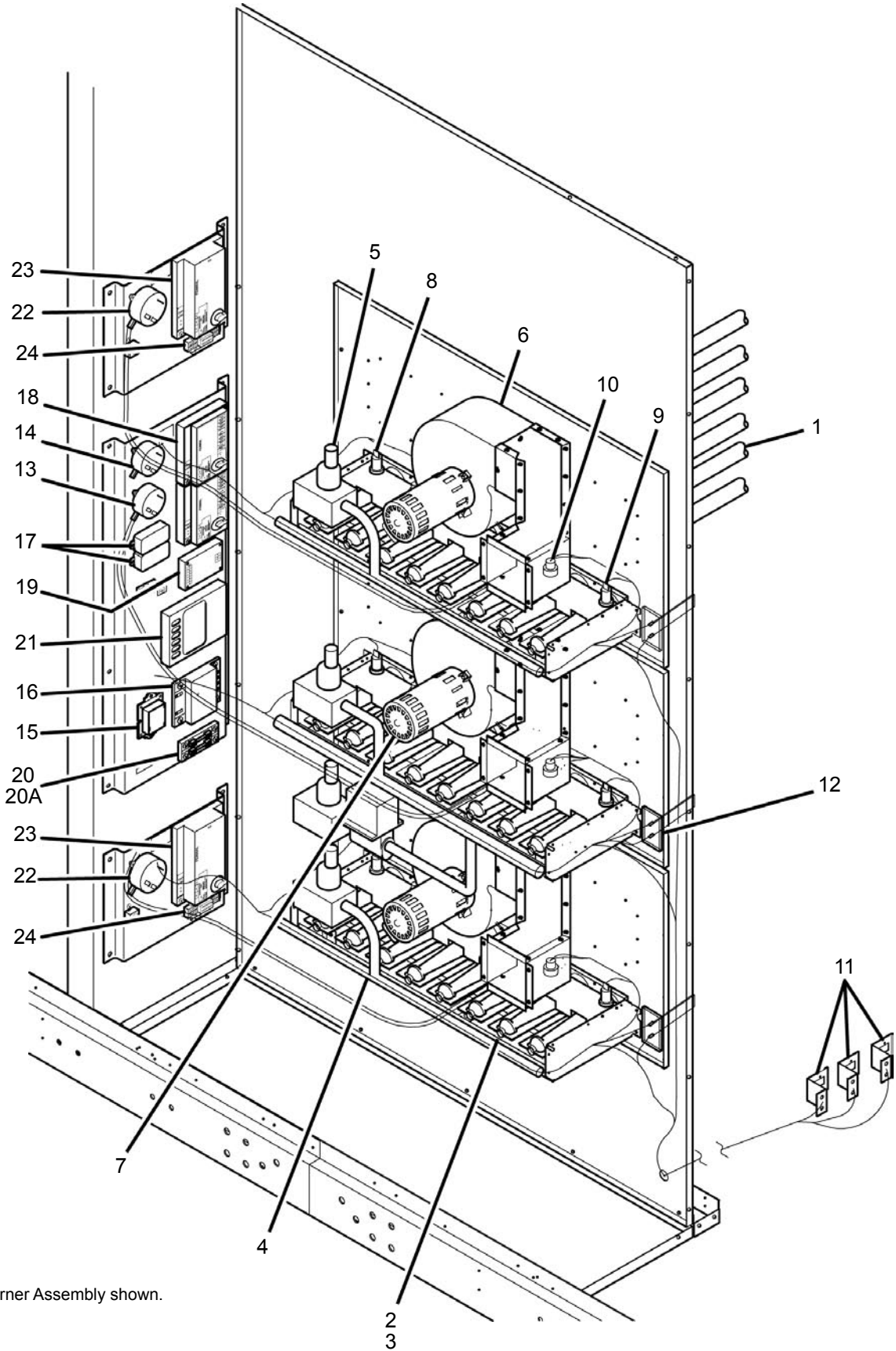


TRIPLE BURNER ASSEMBLY

LD11045

**TABLE 50 - MODULATING GAS HEAT**

<b>FIGURE</b>	<b>ITEM</b>	<b>DESCRIPTION</b>	<b>PART NUM- BER</b>
39	1	HEAT EXCHANGER ASSY, ALUMINIZED STEEL	026-36442-000
39	1	HEAT EXCHANGER ASSY, STAINLESS STEEL	026-36441-000
39	2	BURNER, NATURAL GAS	026-36440-000
39	2	BURNER, PROPANE	026-40812-000
39	3	ORIFICE, NATURAL GAS	023-20077-000
39	3	ORIFICE, PROPANE	023-21664-000
39	4	MANIFOLD	029-22038-000
39	5	PROPANE GAS VALVE CONVERSION KIT	025-35723-000
39	5	GAS VALVE, PROPANE	025-36311-000
39	6	COMBUSTION BLOWER MOTOR/FAN	026-36401-000
39	7	COMBUSTION BLOWER MOTOR/FAN, 2-SPEED	026-42033-000
39	8	FLAME SENSOR	025-36314-000
39	9	SPARK IGNITOR	025-36313-000
39	10	ROLL-OUT SWITCH	025-36315-000
39	11	HIGH TEMP LIMIT SWITCH, 150° F	025-37507-001
39	12	HIGH TEMP LIMIT SWITCH, 140° F	025-36312-000
39	13	SWITCH, PRESSURE, -0.25" ON PRESSURE FALL	025-36379-003
39	14	SWITCH, PRESSURE, -1.50" ON PRESSURE FALL	025-36379-002
39	15	TRANSFORMER, CL-2	024-34331-000
39	16	TRANSFORMER, 100VA	025-40804-000
39	17	RELAY, 24VAC, DPDT	024-33137-000
39	18	IGNITION CONTROLLER	025-37648-000
39	19	DIGITAL INPUT, MULTIPLEXOR	025-36448-000
39	20	FUSEBLOCK, 2P, 30A	025-34427-000
39	20A	FUSE, 2A	025-38309-000
39	21	SIGNAL, CONDITION	025-36378-000
39	22	SWITCH, PRESSURE, -1.35" ON PRESSURE FALL	025-36379-001
39	23	IGNITION CONTROLLER	025-37648-000
39	24	RELAY, MINIATURE	025-39357-000



NOTE:  
Triple Burner Assembly shown.

LD11048

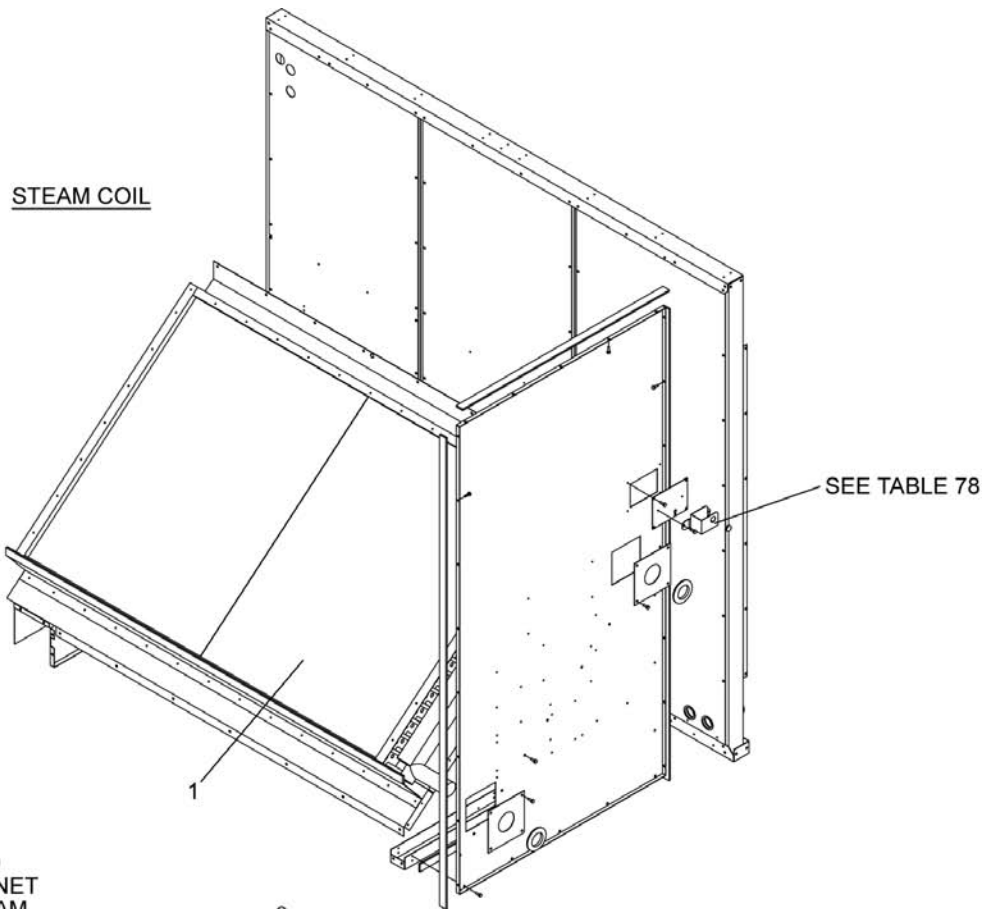
FIG. 39 - MODULATING GAS HEAT

**TABLE 51 - HOT WATER HEAT COILS (STANDARD CABINET)**

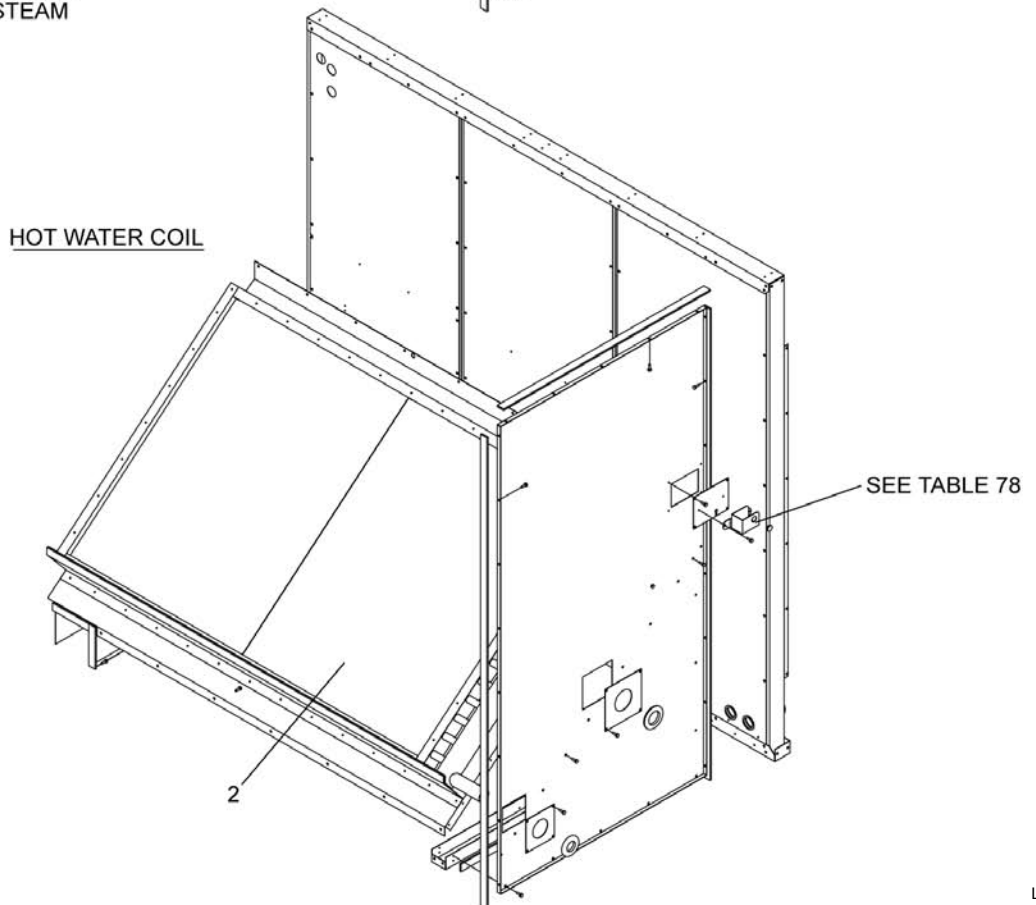
FIGURE	ITEM	UNIT SIZE	TUBES HIGH	ROWS DEEP	FINS PER INCH	PART NUMBER
40	2	50-65	34	2	8	026-36434-100
40	2				10	026-36434-101
40	2				12	026-36434-102
40	2				14	026-36434-103
40	2				11	026-36434-104
40	2	70-85	36	2	8	026-36434-200
40	2				10	026-36434-201
40	2				12	026-36434-202
40	2				14	026-36434-203
40	2	90-95	42	2	8	026-36434-300
40	2				10	026-36434-301
40	2				12	026-36434-302
40	2				14	026-36434-303

**TABLE 52 - STEAM HEAT COILS (STANDARD CABINET)**

FIGURE	ITEM	UNIT SIZE	TUBES HIGH	ROWS DEEP	FINS PER INCH	PART NUMBER
40	1	50-65	14	1	6	026-36433-100
40	1				8	026-36433-101
40	1				10	026-36433-102
40	1	70-85	15	1	6	026-36433-200
40	1				8	026-36433-201
40	1				10	026-36433-202
40	1	90-95	17	1	6	026-36433-300
40	1				8	026-36433-301
40	1				10	026-36433-302



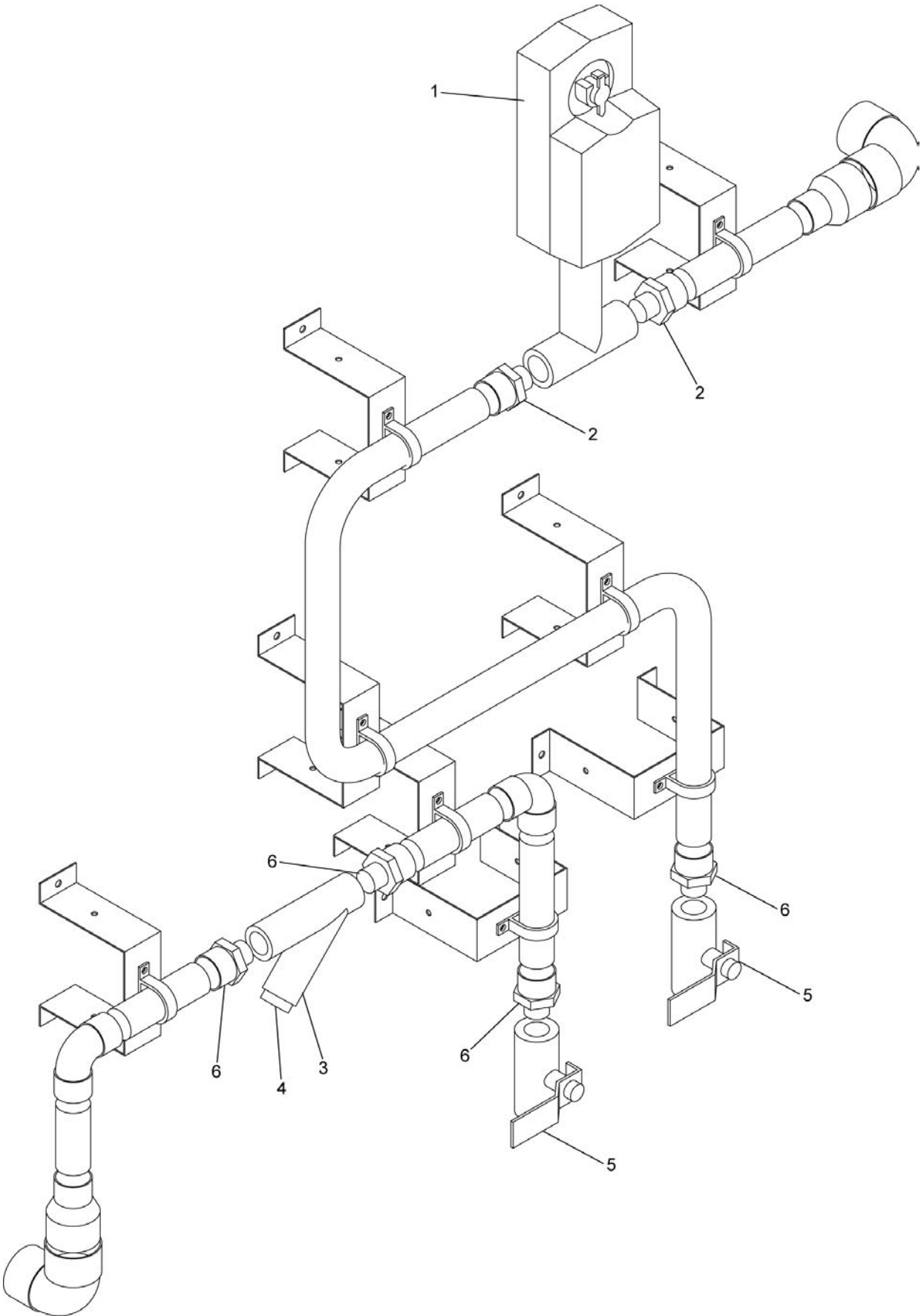
NOTE: SEE FIGURE 59  
FOR EXTENDED CABINET  
HOT WATER AND STEAM  
HEAT COILS.



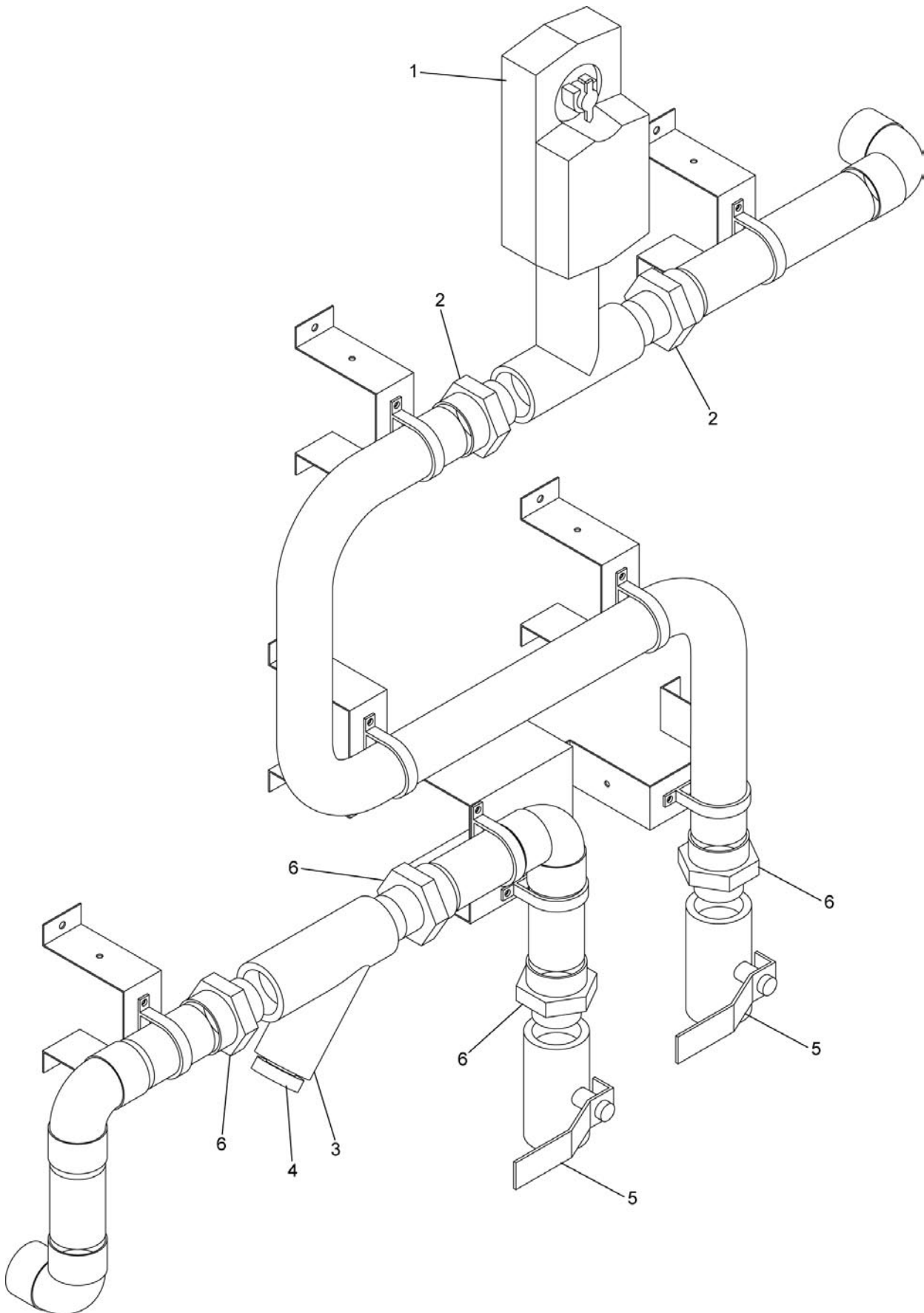
**FIG. 40 - HOT WATER AND STEAM HEAT COILS (STANDARD CABINET)**

**TABLE 53 - HOT WATER HEAT PIPING PARTS (STANDARD CABINET)**

<b>FIGURE</b>	<b>ITEM</b>	<b>VALVE SIZE</b>	<b>DESCRIPTION</b>	<b>PART NUMBER</b>
41	1	0.75	2-Way Valve	025-35809-214
41	1	1.00	2-Way Valve	025-35809-215
41	1	1.25	2-Way Valve	025-35809-216
42	1	1.50	2-Way Valve	025-35809-217
42	1	2.00	2-Way Valve	025-35809-218
43	1	0.75	3-Way Valve	025-35809-354
43	1	1.00	3-Way Valve	025-35809-355
43	1	1.25	3-Way Valve	025-35809-356
44	1	1.50	3-Way Valve	025-35809-357
44	1	2.00	3-Way Valve	025-35809-358
41, 43	2	0.75	Adapters for 2- and 3-Way Valve	023-20068-000
41, 43	2	1.00	Adapters for 2- and 3-Way Valve	023-20067-000
41, 43	2	1.25	Adapters for 2- and 3-Way Valve	023-00131-000
42, 44	2	1.50	Adapters for 2- and 3-Way Valve	023-20066-000
42, 44	2	2.00	Adapters for 2- and 3-Way Valve	023-00145-000
41, 43	3	0.75, 1.00, 1.25	Strainer	022-10505-000
42, 44	3	1.50, 2.00	Strainer	022-10504-000
41, 43	4	0.75, 1.00, 1.25	Pipe Plug for Strainer	023-04053-000
42, 44	4	1.50, 2.00	Pipe Plug for Strainer	023-04019-000
41, 43	5	0.75, 1.00, 1.25	Ball Valve	022-10507-000
42, 44	5	1.50, 2.00	Ball Valve	022-10506-000
41, 43	6	0.75, 1.00, 1.25	Adapters for Ball Valves and Strainer	023-00131-000
42, 44	6	1.50, 2.00	Adapters for Ball Valves and Strainer	023-00145-000

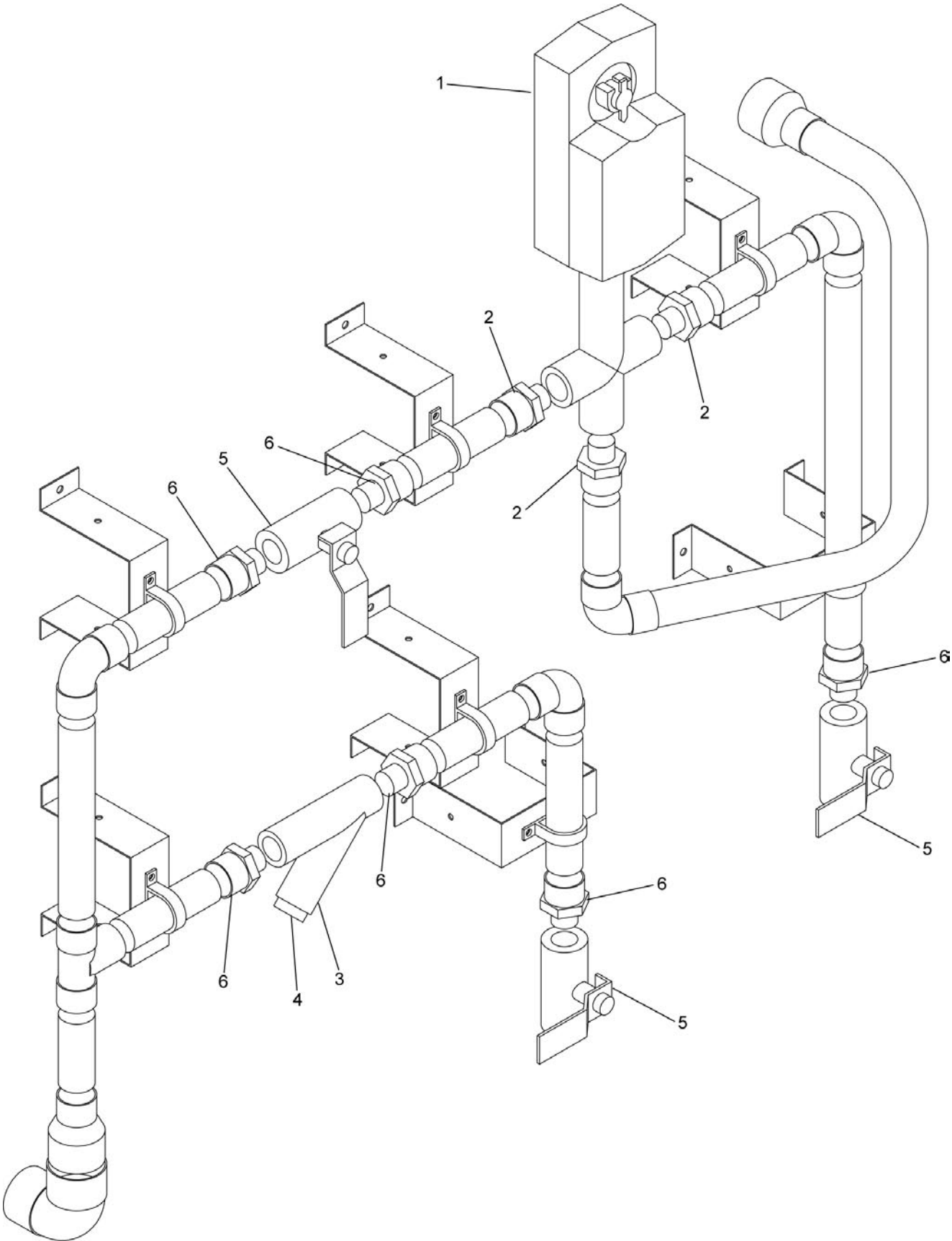


**FIG. 41 - HOT WATER HEAT 2-WAY PIPING FOR 0.75, 1.00, AND 1.25 VALVES (STANDARD CABINET)**

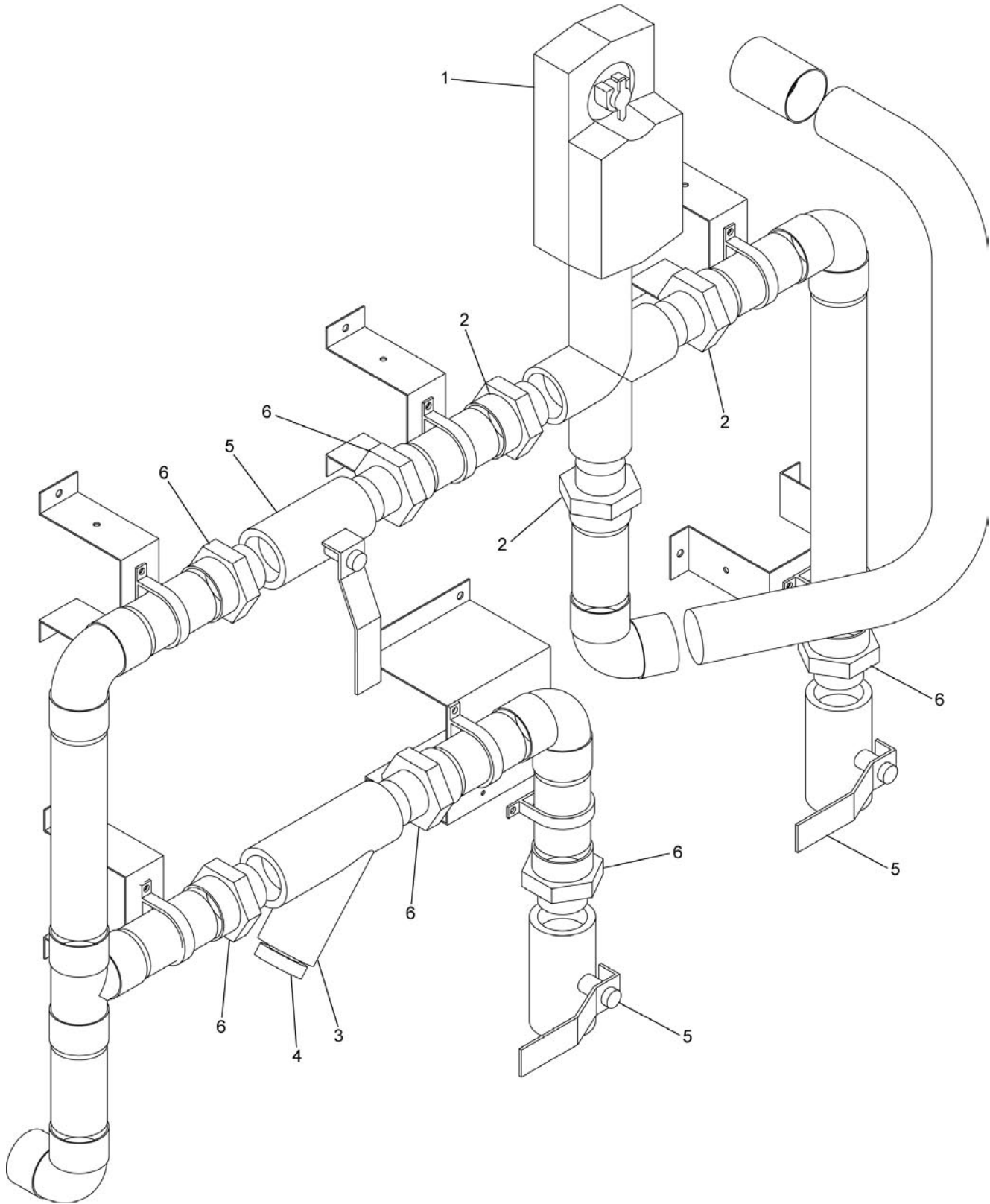


LD11863

**FIG. 42 - HOT WATER HEAT 2-WAY PIPING FOR 1.50, AND 2.00 VALVES (STANDARD CABINET)**



**FIG. 43 - HOT WATER HEAT 3-WAY PIPING FOR 0.75, 1.00, AND 1.25 VALVES (STANDARD CABINET)**



LD11865

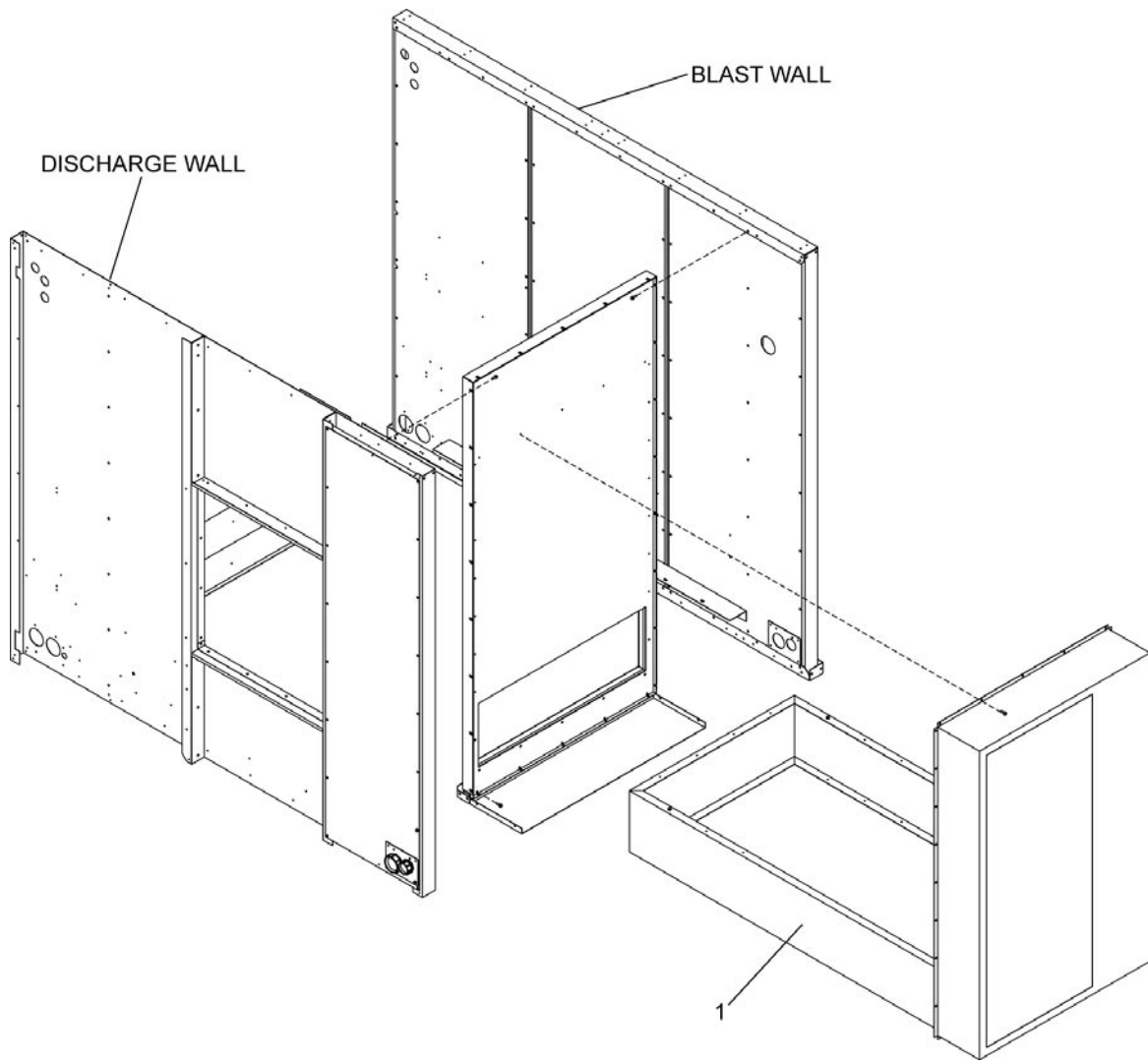
**FIG. 44 - HOT WATER HEAT 3-WAY PIPING FOR 1.50, AND 2.00 VALVES (STANDARD CABINET)**

**TABLE 54 - ELECTRIC HEATER COILS**

FIGURE	ITEM	UNIT SIZE	VOLTAGE	KILOWATTS	PART NUMBER
40	1	50-65	200	40	025-35720-101
40	1			80	025-35720-102
40	1			108	025-35720-103
40	1		230	40	025-35720-104
40	1			80	025-35720-105
40	1			108	025-35720-106
40	1		460	40	025-35720-117
40	1			80	025-35720-118
40	1			108	025-35720-119
40	1			150	025-35720-120
40	1		575	40	025-35720-123
40	1			80	025-35720-124
40	1			108	025-35720-125
40	1			150	025-35720-126
40	1		400	40	025-35720-112
40	1			80	025-35720-113
40	1			108	025-35720-114
40	1			150	025-35720-115
40	1		380	40	025-35720-107
40	1			80	025-35720-108
40	1	108		025-35720-109	
40	1	150		025-35720-110	
40	1	70-85	200	80	025-36252-102
40	1			108	025-36252-103
40	1		230	80	025-36252-105
40	1			108	025-36252-106
40	1		460	80	025-36252-118
40	1			108	025-36252-119
40	1			150	025-36252-120
40	1			200	025-36252-121
40	1		575	80	025-36252-124
40	1			108	025-36252-125
40	1			150	025-36252-126
40	1			200	025-36252-127
40	1		400	80	025-36252-113
40	1			108	025-36252-114
40	1			150	025-36252-115
40	1			200	025-36252-116
40	1		380	80	025-36252-108
40	1			108	025-36252-109
40	1			150	025-36252-110
40	1			200	025-36252-111

**TABLE 54 (CON'T) - ELECTRIC HEATER COILS**

FIGURE	ITEM	UNIT SIZE	VOLTAGE	KILOWATTS	PART NUMBER
40	1	90-105	200	108	025-36253-103
40	1		230	108	025-36253-106
40	1		460	108	025-36253-119
40	1			150	025-36253-120
40	1			200	025-36253-121
40	1			250	025-36253-122
40	1	90-105	575	108	025-36253-125
40	1			150	025-36253-126
40	1			200	025-36253-127
40	1			250	025-36253-128
40	1		400	108	025-36253-114
40	1			150	025-36253-115
40	1			200	025-36253-116
40	1		380	108	025-36253-109
40	1			150	025-36253-110
40	1			200	025-36253-111

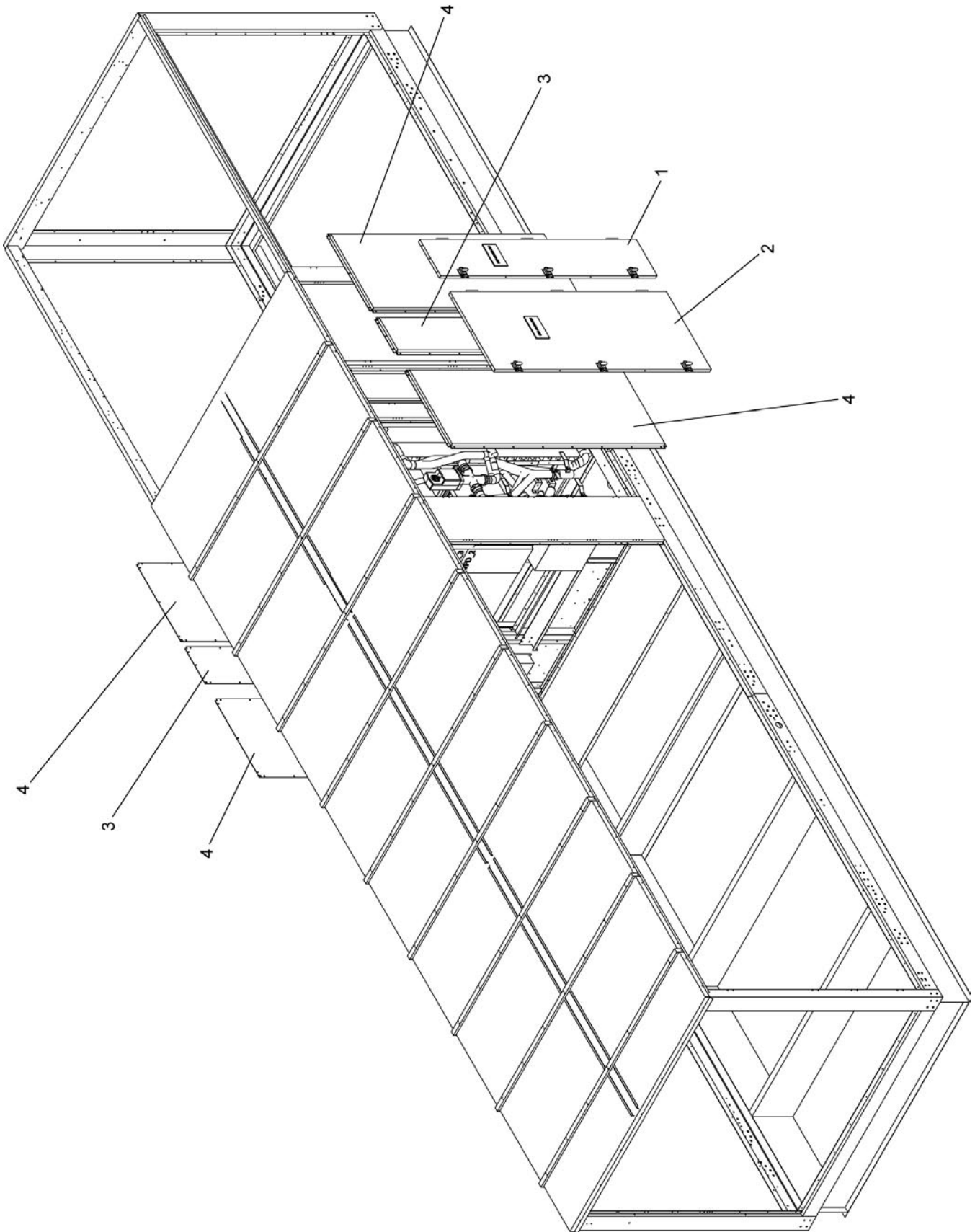


LD11866

**FIG. 45 - ELECTRIC HEATER COILS**

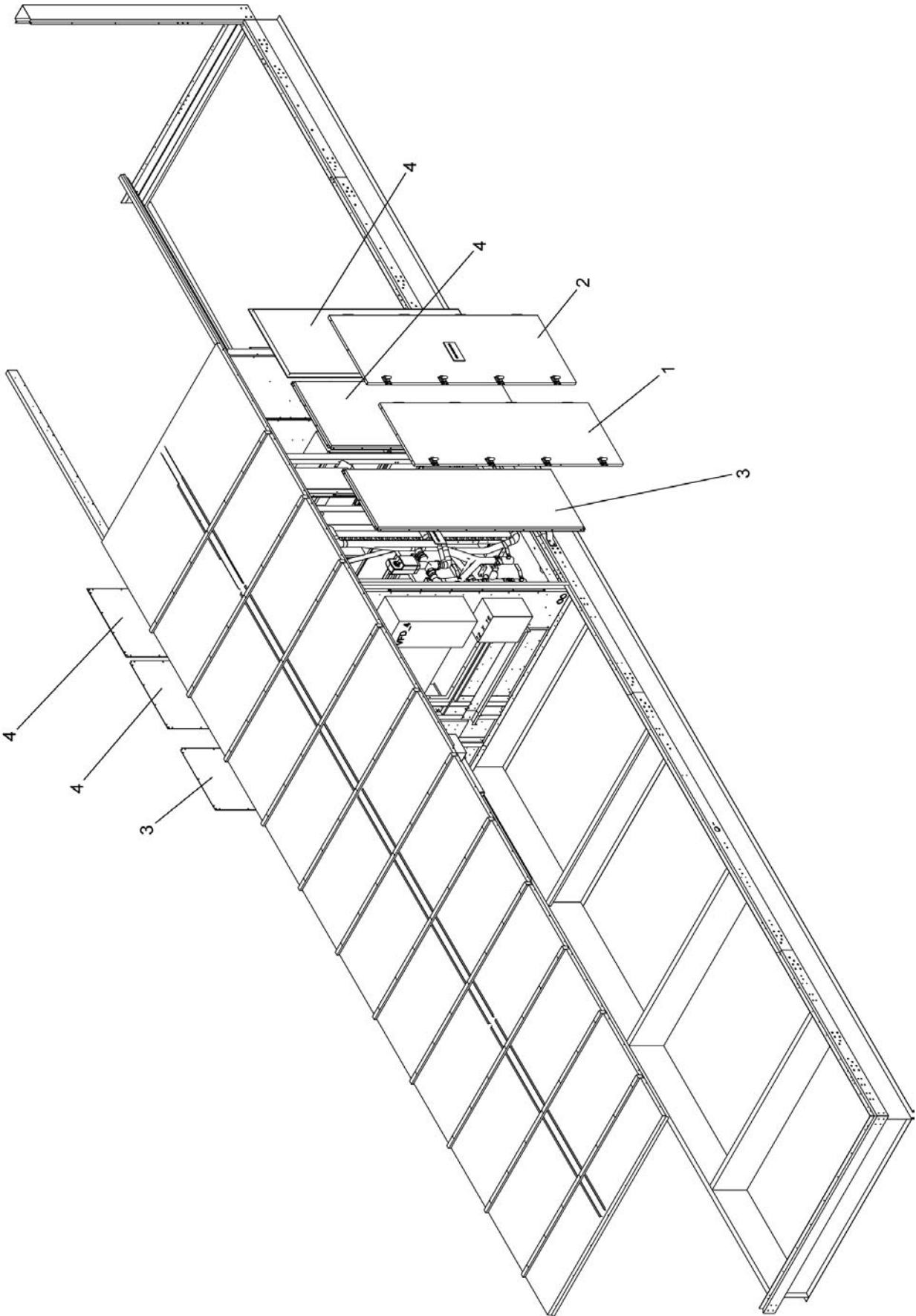
**TABLE 55 - DOOR AND SIDE PANEL ASSEMBLIES (EXTENDED CABINET)**

FIGURE	ITEM	UNIT SIZE	DESCRIPTION	PART NUMBER
46	1	50-65	Door Assembly, 12.875" x 82"	385-00429-110
46	2		Door Assembly, 29.313" x 82"	385-00429-111
46	3		Side Panel Assembly, 12.875" x 82"	385-00431-121
46	4		Side Panel Assembly, 29.313" x 82"	385-00431-122
47	1	70-85	Door Assembly, 27" x 92"	385-00429-107
47	2		Door Assembly, 29.86" x 92"	385-00429-108
47	3		Side Panel Assembly, 27" x 92"	385-00431-110
47	4		Side Panel Assembly, 29.86" x 92"	385-00431-117
48	1	90-105	Door Assembly, 22" x 92"	385-00429-105
48	2		Door Assembly, 32.76" x 92"	385-00429-109
48	3		Side Panel Assembly, 21.375" x 92"	385-00431-107
48	4		Side Panel Assembly, 22" x 92"	385-00431-118
48	5		Side Panel Assembly, 32.76" x 92"	385-00431-119
48	6		Side Panel Assembly, 36.75" x 92"	385-00431-120

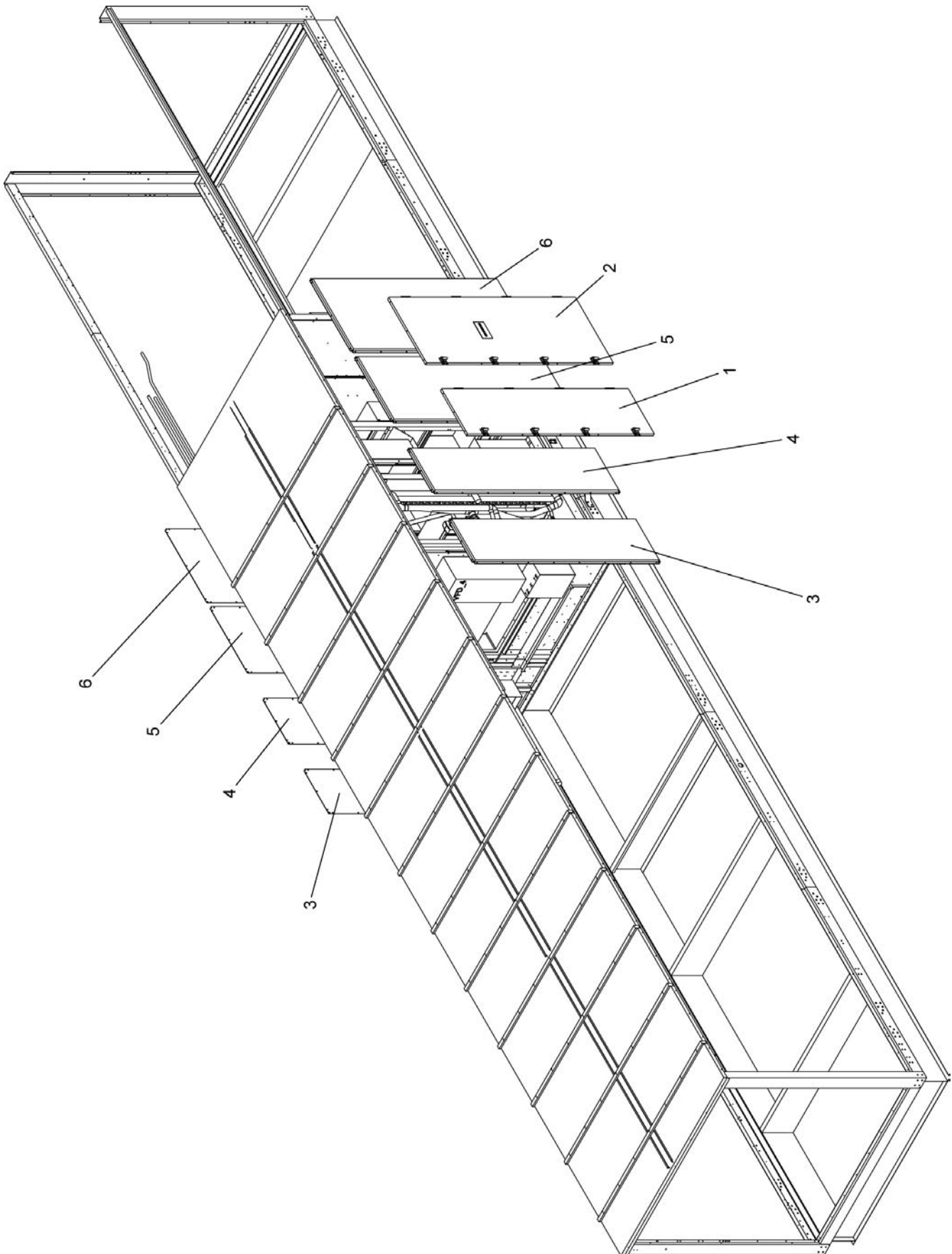


LD11867

**FIG. 46 - DOOR AND SIDE PANEL ASSEMBLIES (50-65 TON) (EXTENDED CABINET)**



**FIG. 47 - DOOR AND SIDE PANEL ASSEMBLIES (70-85 TON) (EXTENDED CABINET)**

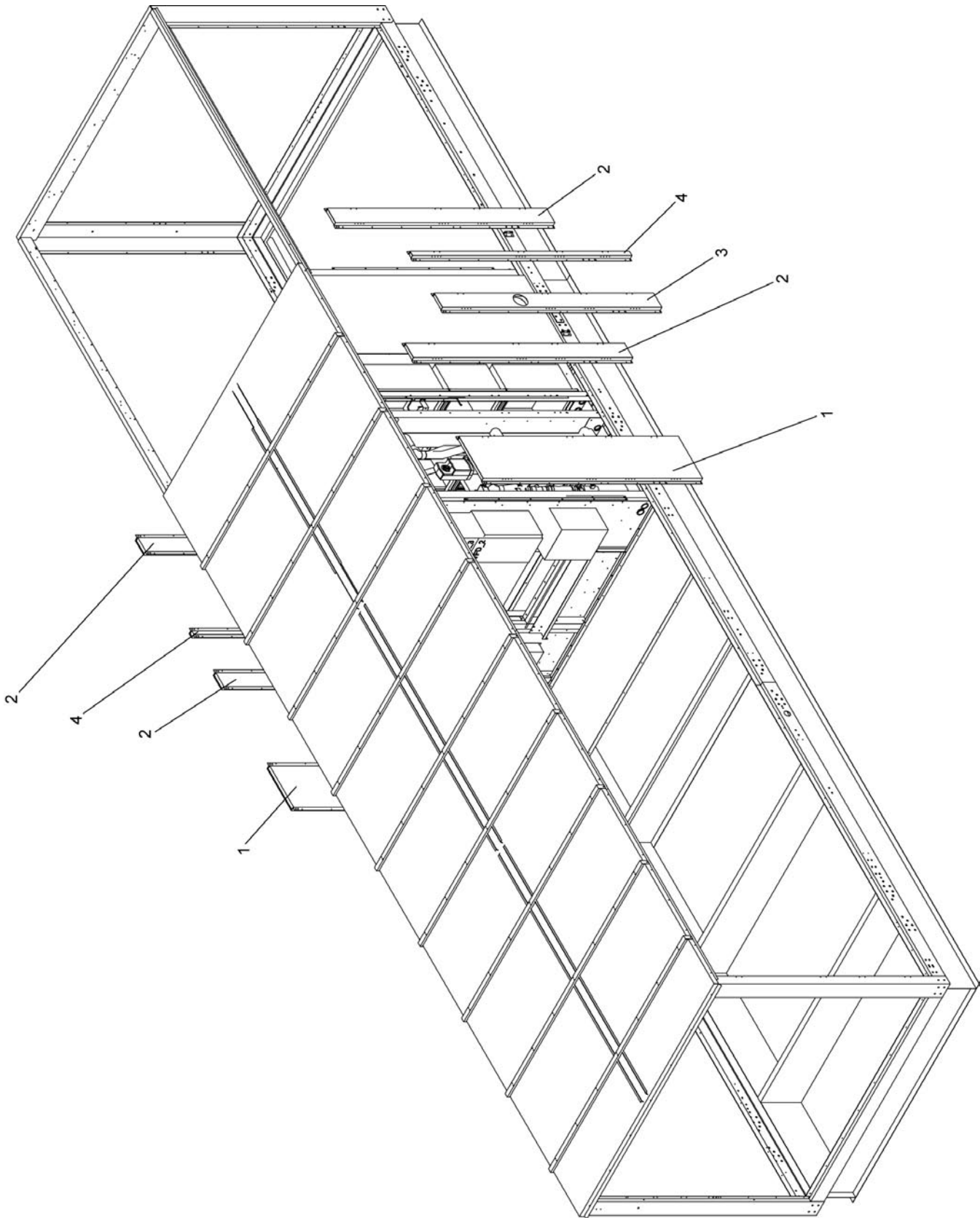


LD11869

**FIG. 48 - DOOR AND SIDE PANEL ASSEMBLIES (90-105 TON) (EXTENDED CABINET)**

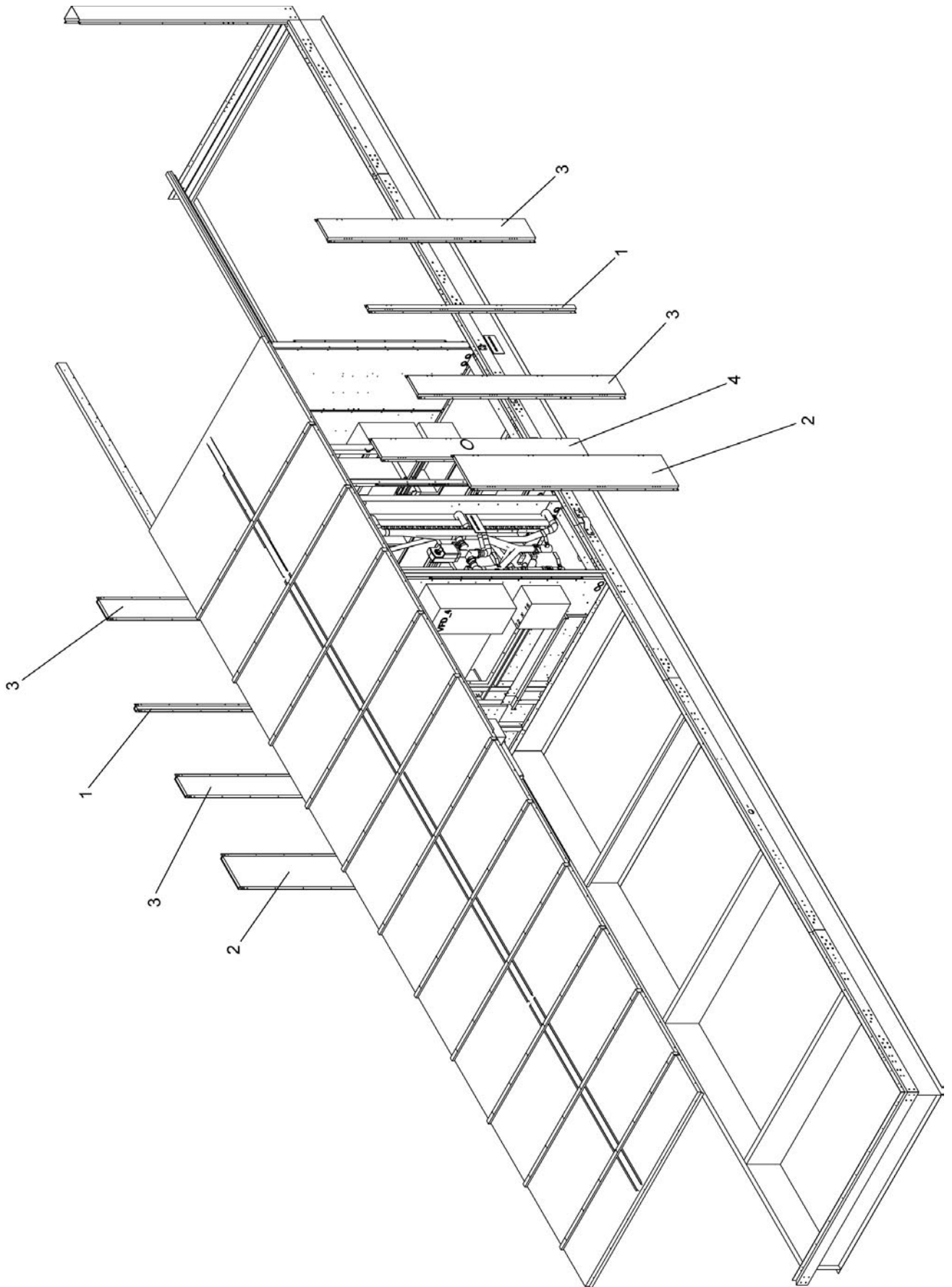
**TABLE 56 - EXTERIOR UPRIGHT ASSEMBLIES (EXTENDED CABINET)**

FIGURE	ITEM	UNIT SIZE	DESCRIPTION	PART NUMBER
49	1	50-65	Exterior Upright Assembly, 18.75" x 82"	385-00434-102
49	2		Exterior Upright Assembly, 7.75" x 82"	385-00434-313
49	3		Exterior Upright Assembly, Filter Section, 7.75" x 82"	385-00434-314
49	4		Exterior Upright Assembly, 3.75" x 82"	385-00434-315
50	1	70-85	Exterior Upright Assembly, 3.75" x 92"	385-00434-302
50	2		Exterior Upright Assembly, 16.64" x 92"	385-00434-306
50	3		Exterior Upright Assembly, 11" x 92"	385-00434-309
50	4		Exterior Upright Assembly, Filter Section, 11" x 92"	385-00434-310
51	1	90-105	Exterior Upright Assembly, 3.75" x 92"	385-00434-302
51	2		Exterior Upright Assembly, 11" x 92"	385-00434-309
51	3		Exterior Upright Assembly, 14.875" x 92"	385-00434-311
51	4		Exterior Upright Assembly, Filter Section, 14.875" x 92"	385-00434-312

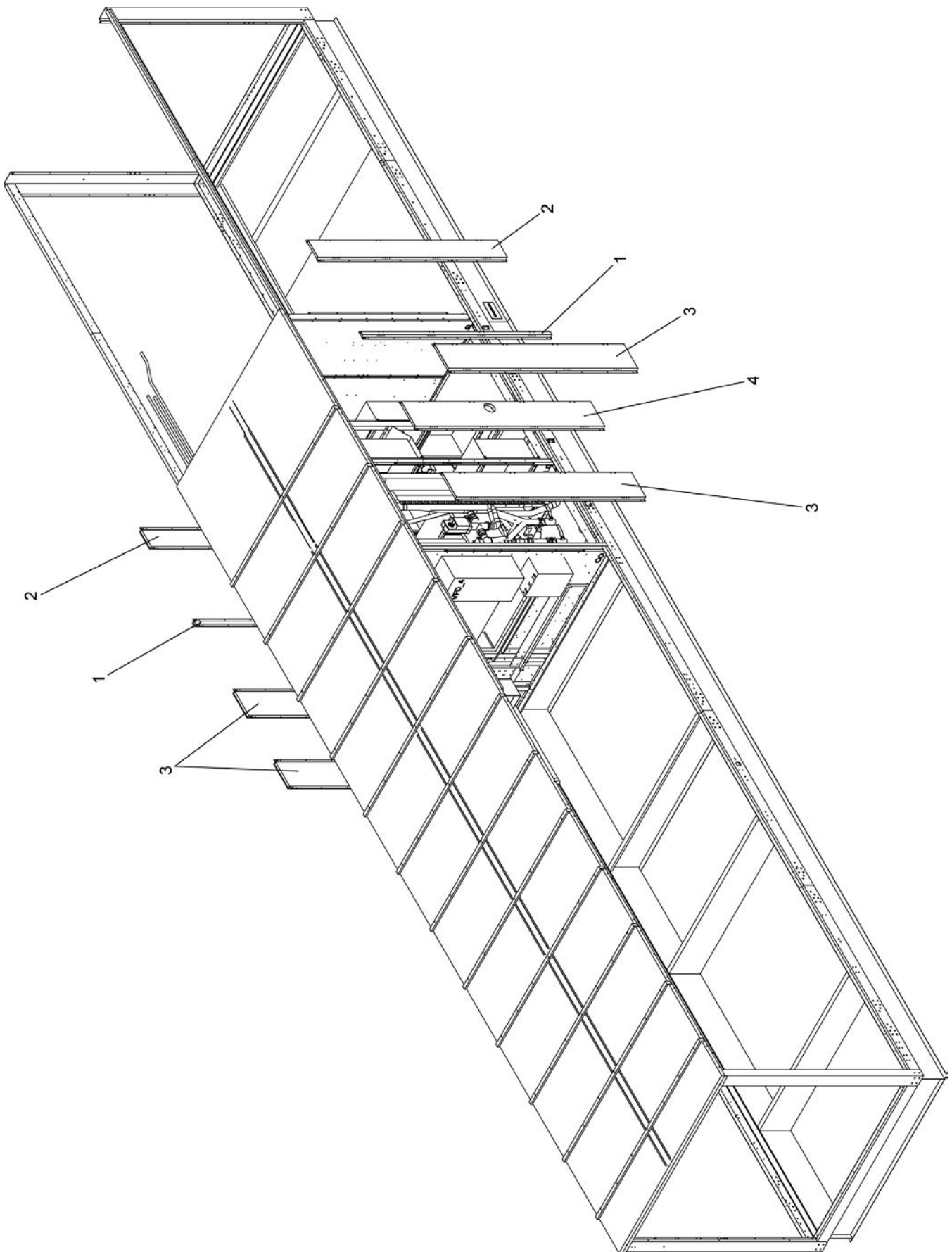


LD11870

**FIG. 49 - EXTERIOR UPRIGHT ASSEMBLIES (50-65 TON) (EXTENDED CABINET)**



**FIG. 50 - EXTERIOR UPRIGHT ASSEMBLIES (70-85 TON) (EXTENDED CABINET)**

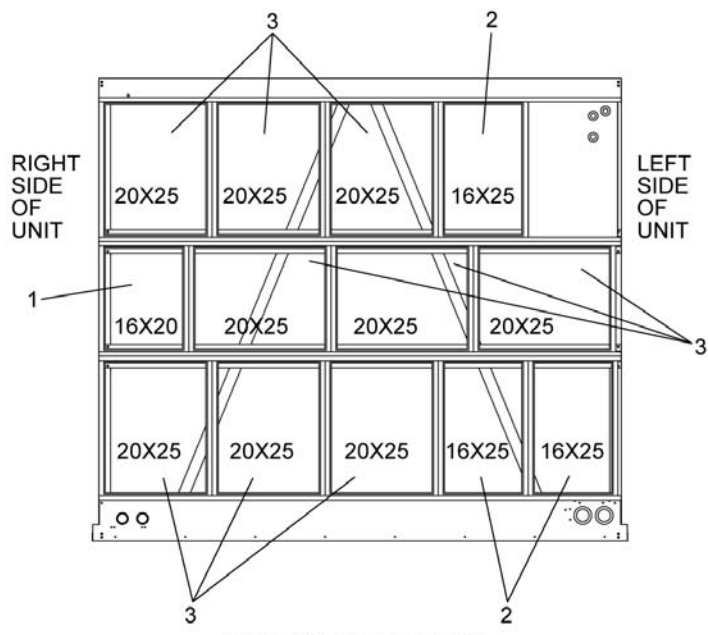


LD11872

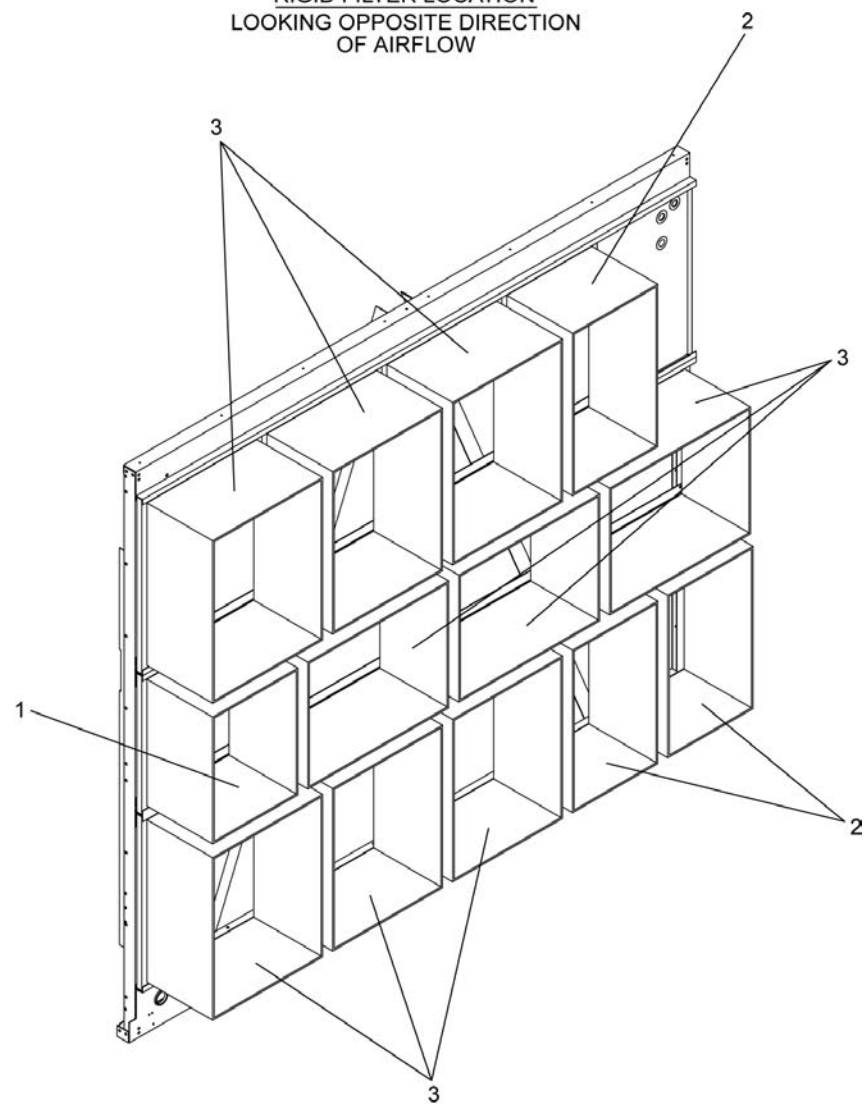
**FIG. 51 - EXTERIOR UPRIGHT ASSEMBLIES (90-105 TON) (EXTENDED CABINET)**

**TABLE 57 - FILTERS, RIGID (EXTENDED CABINET)**

<b>FIGURE</b>	<b>ITEM</b>	<b>UNIT SIZE</b>	<b>TYPE</b>	<b>SIZE</b>	<b>PART NUMBER</b>	<b>QUANTITY</b>
52	1	50-65	12" 90-95% Efficient	16" x 20"	026-36342-009	1
52	2			16" x 25"	026-36342-010	3
52	3			20" x 25"	026-36380-000	9
53	1	70-85	12" 90-95% Efficient	16" x 20"	026-36342-009	2
53	2			16" x 25"	026-36342-010	7
53	3			20" x 25"	026-36380-000	9
54	1	90-105	12" 90-95% Efficient	16" x 25"	026-36342-010	7
54	2			20" x 25"	026-36380-000	12

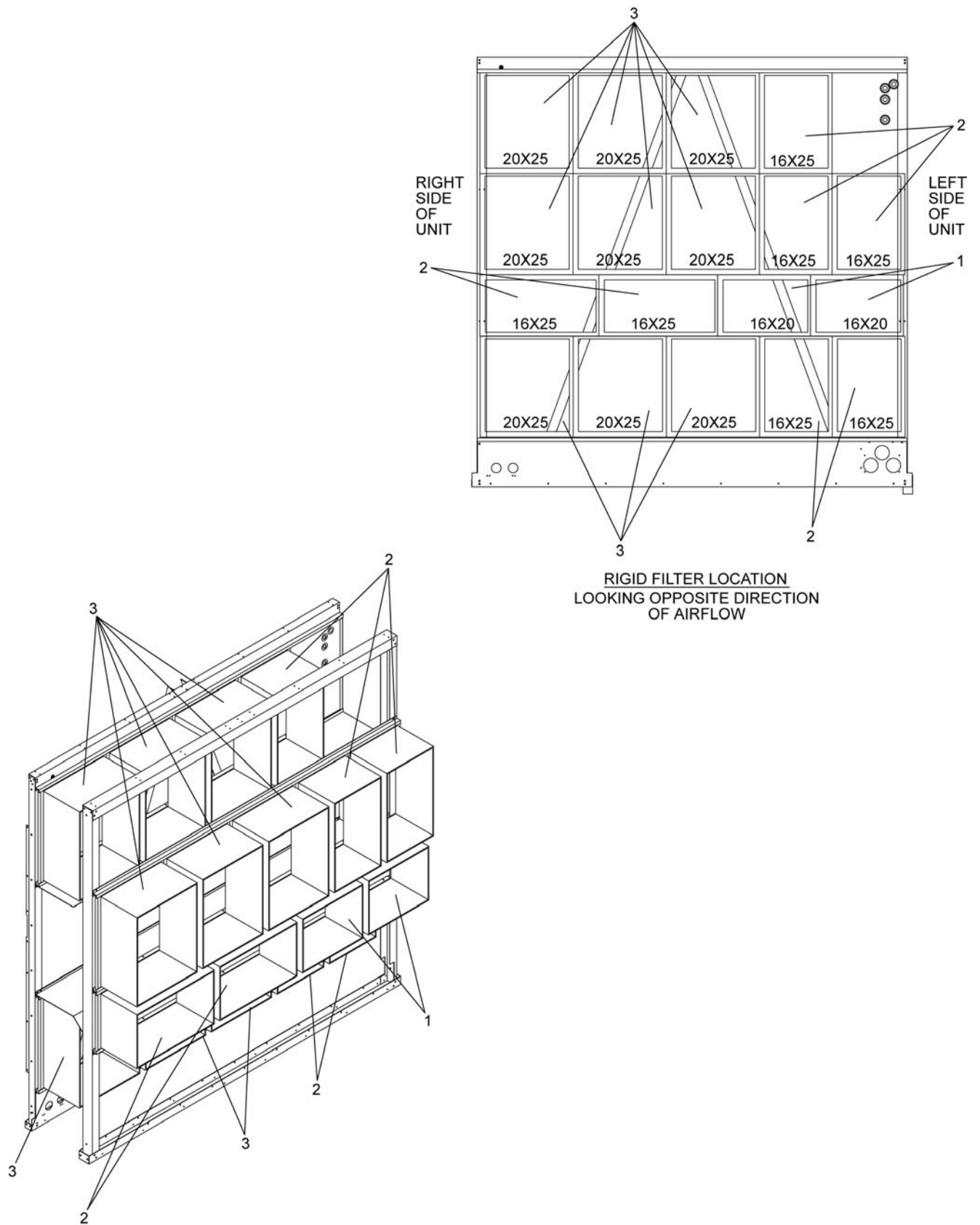


RIGID FILTER LOCATION  
LOOKING OPPOSITE DIRECTION  
OF AIRFLOW

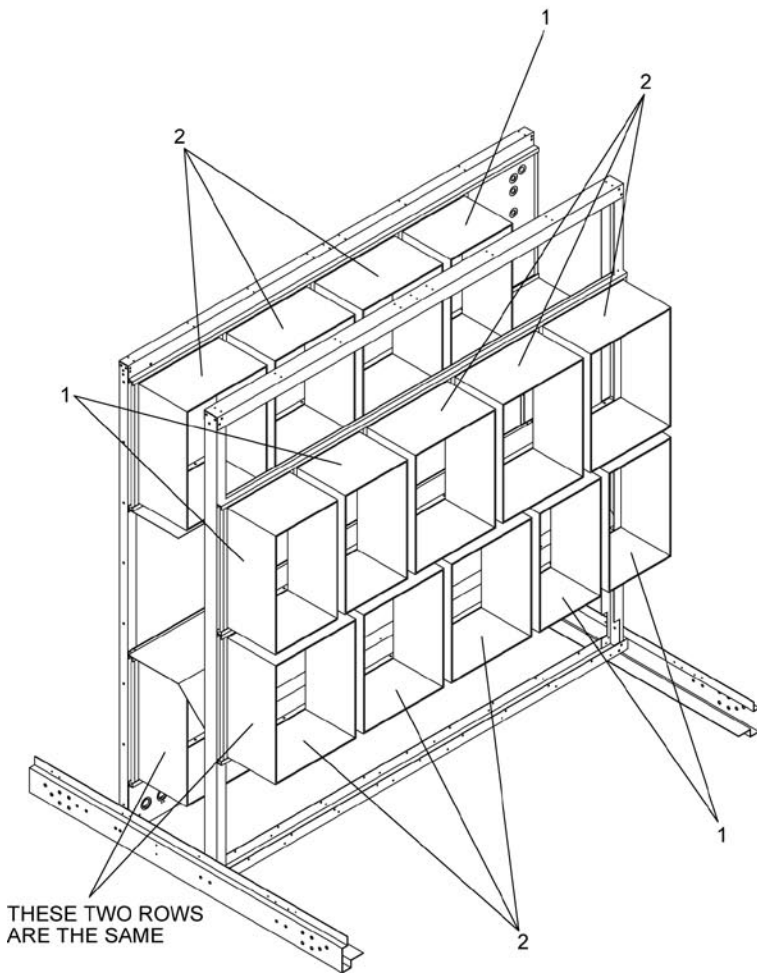
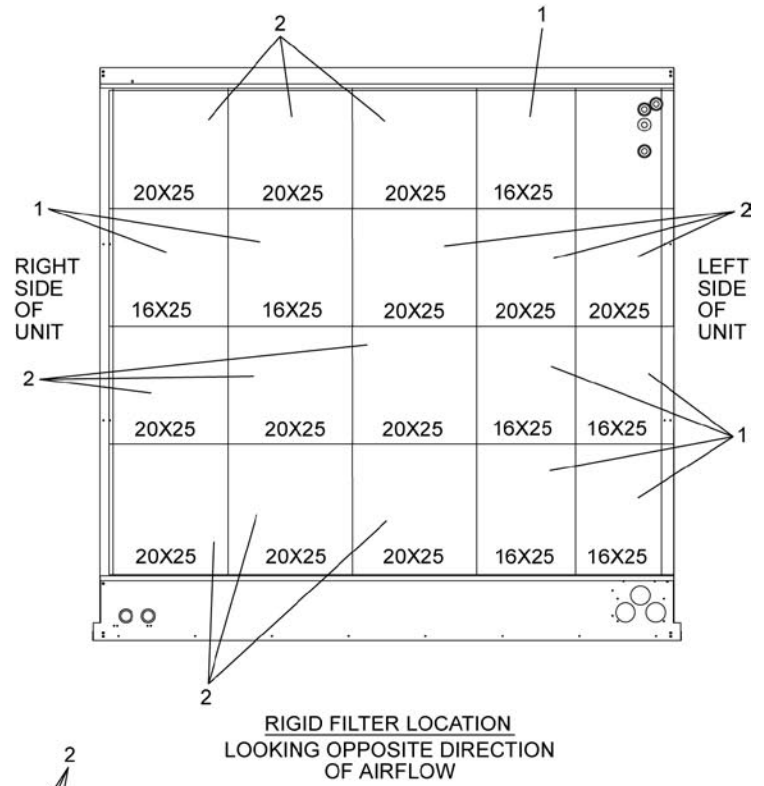


LD11873

FIG. 52 - FILTER, RIGID (50-65 TON) (EXTENDED CABINET)



**FIG. 53 - FILTER, RIGID (70-85 TON) (EXTENDED CABINET)**



LD11875

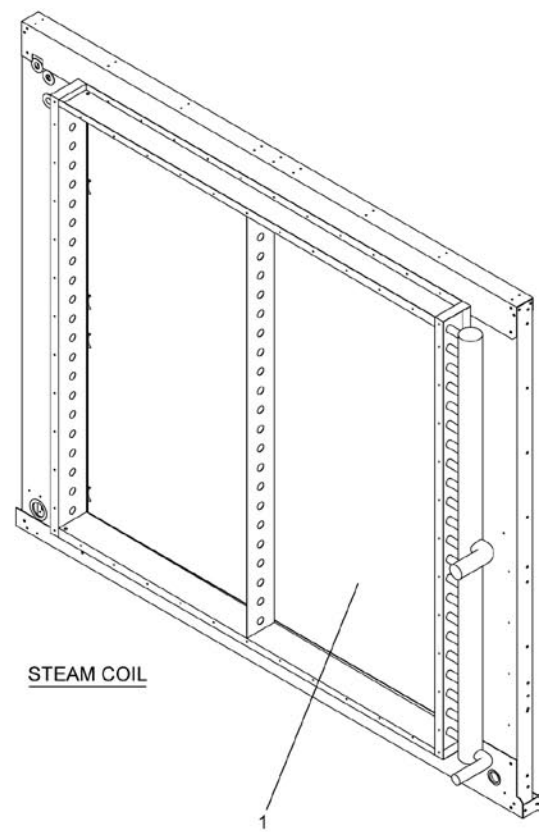
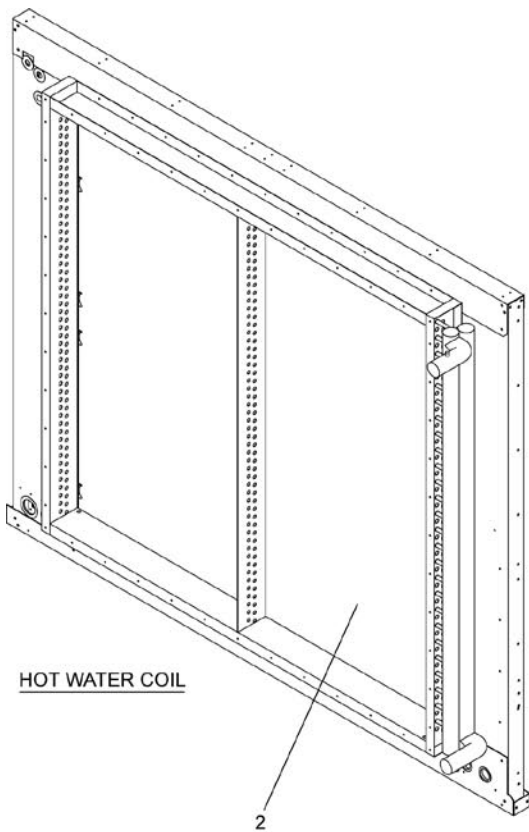
**FIG. 54 - FILTER, RIGID (90-105 TON) (EXTENDED CABINET)**

**TABLE 58 - HOT WATER HEAT COILS (EXTENDED CABINET)**

FIGURE	ITEM	UNIT SIZE	TUBES HIGH	ROWS DEEP	FINS PER INCH	PART NUMBER
55	2	50-65	52	2	8	026-36434-110
55	2				10	026-36434-111
55	2				12	026-36434-112
55	2				14	026-36434-113
55	2				11	026-36434-114
55	2	70-105	60	2	8	026-36434-210
55	2				10	026-36434-211
55	2				12	026-36434-212
55	2				14	026-36434-213

**TABLE 59 - STEAM HEAT COILS (EXTENDED CABINET)**

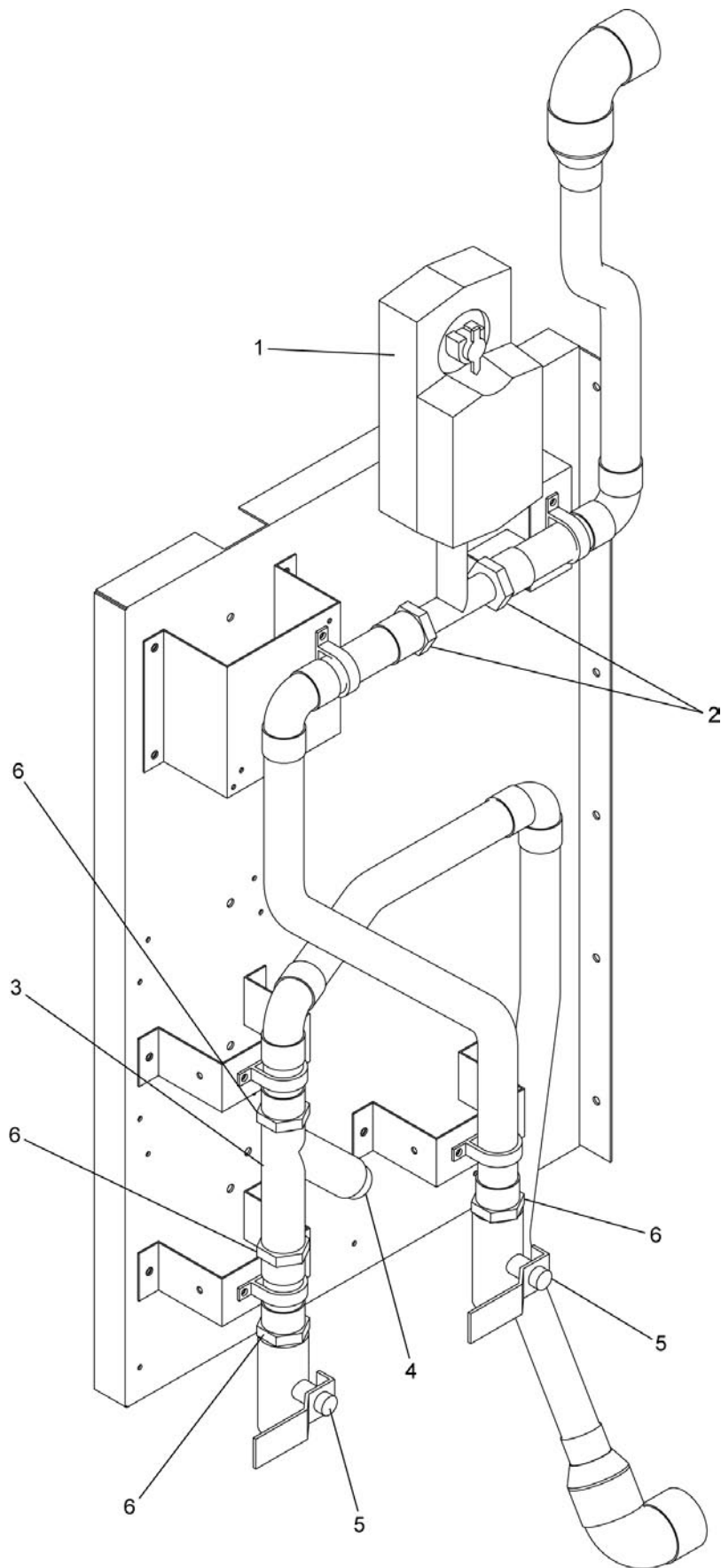
FIGURE	ITEM	UNIT SIZE	TUBES HIGH	ROWS DEEP	FINS PER INCH	PART NUMBER
55	1	50-65	22	1	6	026-36433-110
55	1				8	026-36433-111
55	1				10	026-36433-112
55	1	70-105	25	1	6	026-36433-210
55	1				8	026-36433-211
55	1				10	026-36433-212



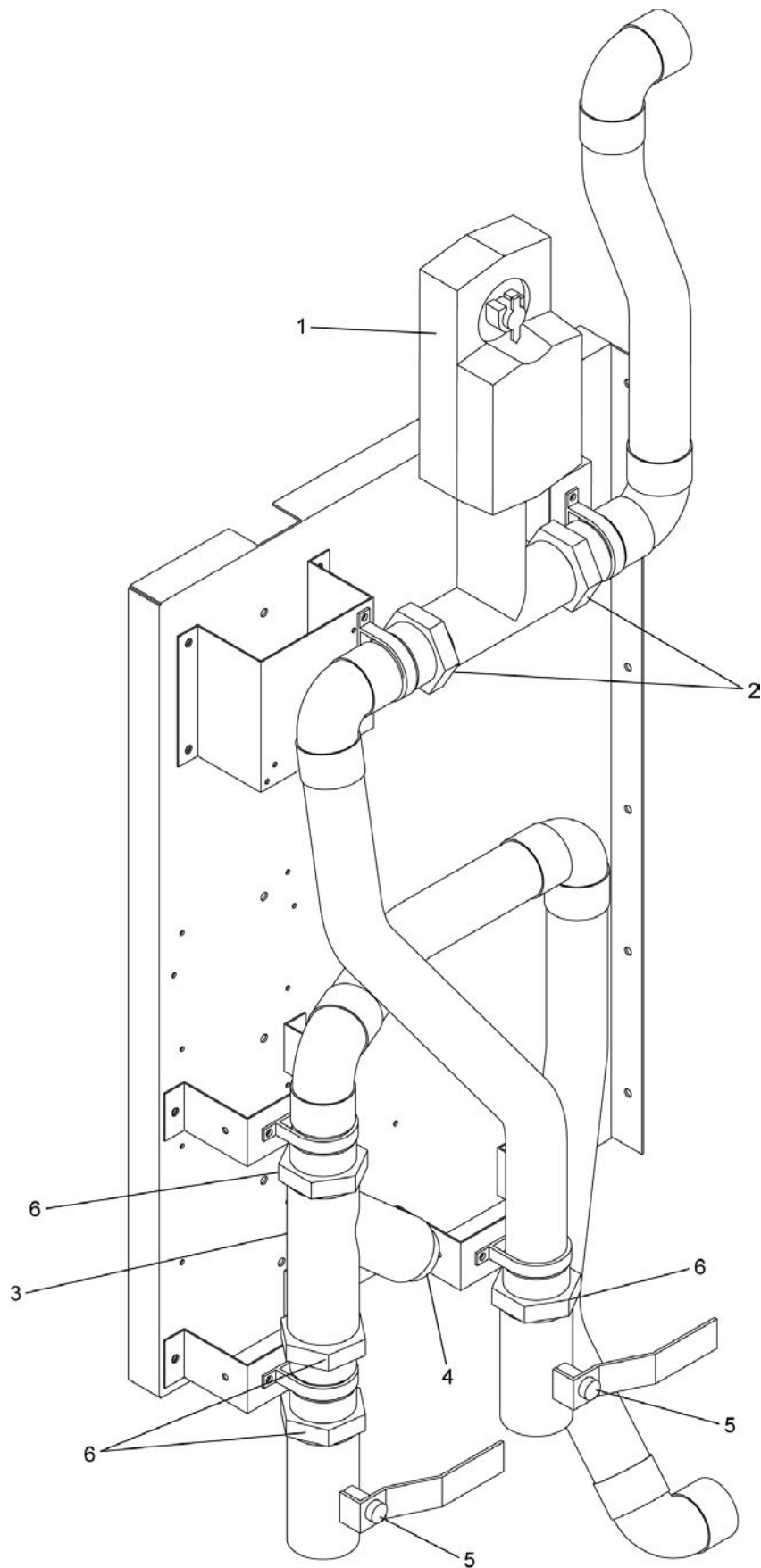
**FIG. 55 - HOT WATER AND STEAM HEAT COILS (EXTENDED CABINET)**

**TABLE 60 - HOT WATER HEAT PIPING PARTS (EXTENDED CABINET)**

<b>FIGURE</b>	<b>ITEM</b>	<b>VALVE SIZE</b>	<b>DESCRIPTION</b>	<b>PART NUMBER</b>
56	1	0.75	2-Way Valve	025-35809-214
56	1	1.00	2-Way Valve	025-35809-215
56	1	1.25	2-Way Valve	025-35809-216
57	1	1.50	2-Way Valve	025-35809-217
57	1	2.00	2-Way Valve	025-35809-218
58	1	0.75	3-Way Valve	025-35809-354
58	1	1.00	3-Way Valve	025-35809-355
58	1	1.25	3-Way Valve	025-35809-356
58	1	1.50	3-Way Valve	025-35809-357
58	1	2.00	3-Way Valve	025-35809-358
56, 58	2	0.75	Adapters for 2- and 3-Way Valve	023-20068-000
56, 58	2	1.00	Adapters for 2- and 3-Way Valve	023-20067-000
56, 58	2	1.25	Adapters for 2- and 3-Way Valve	023-00131-000
57, 59	2	1.50	Adapters for 2- and 3-Way Valve	023-20066-000
57, 59	2	2.00	Adapters for 2- and 3-Way Valve	023-00145-000
56, 58	3	0.75, 1.00, 1.25	Strainer	022-10505-000
57, 59	3	1.50, 2.00	Strainer	022-10504-000
56, 58	4	0.75, 1.00, 1.25	Pipe Plug for Strainer	023-04053-000
57, 59	4	1.50, 2.00	Pipe Plug for Strainer	023-04019-000
56, 58	5	0.75, 1.00, 1.25	Ball Valve	022-10507-000
57, 59	5	1.50, 2.00	Ball Valve	022-10506-000
56, 58	6	0.75, 1.00, 1.25	Adapters for Ball Valves and Strainer	023-00131-000
57, 59	6	1.50, 2.00	Adapters for Ball Valves and Strainer	023-00145-000

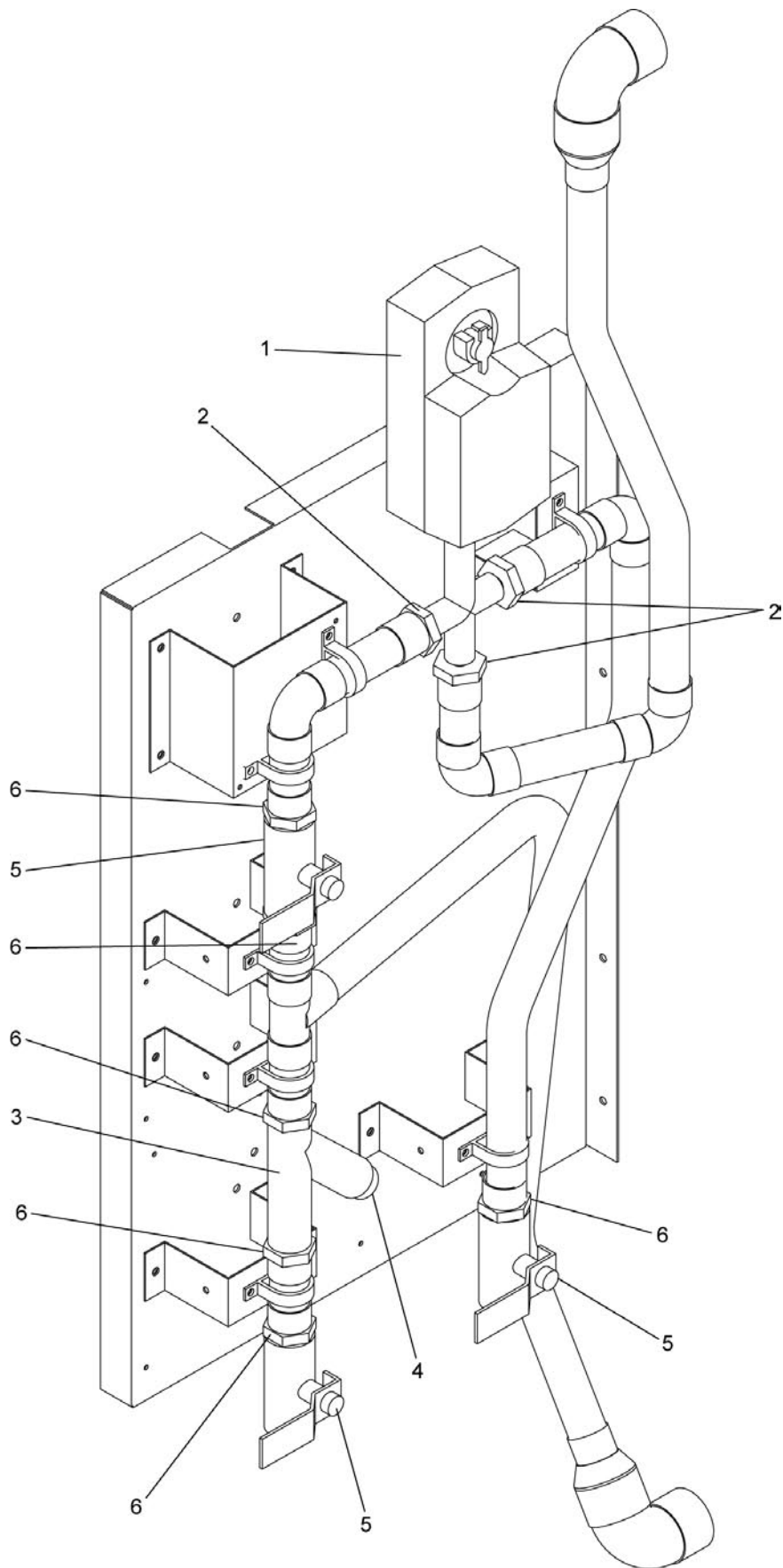


**FIG. 56 - HOT WATER HEAT 2-WAY PIPING FOR 0.75, 1.00, AND 1.25 VALVES (EXTENDED CABINET)**

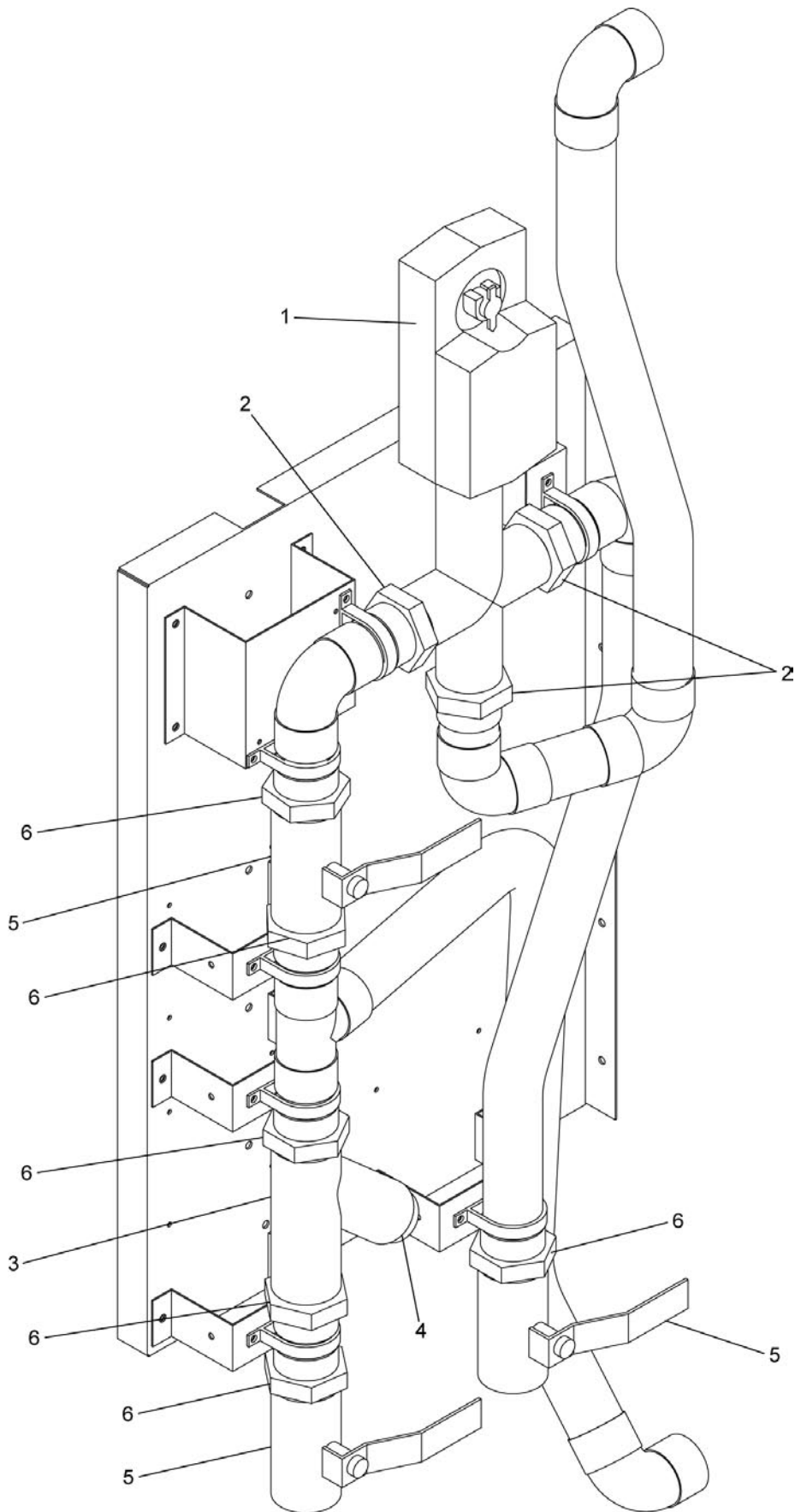


LD11878

**FIG. 57 - HOT WATER HEAT 2-WAY PIPING FOR 1.50, AND 2.00 VALVES (EXTENDED CABINET)**



**FIG. 58 - HOT WATER HEAT 3-WAY PIPING FOR 0.75, 1.00 AND 1.25 VALVES (EXTENDED CABINET)**



LD11880

**FIG. 59 - HOT WATER HEAT 3-WAY PIPING FOR 1.50, AND 2.00 VALVES (EXTENDED CABINET)**

**TABLE 61 - CONDENSER COIL LANCED PANELS**

FIGURE	ITEM	UNIT SIZE	DESCRIPTION	PART NUMBER
60	1	50-65	Side Lanced Panel	085-00961-000
60	2		End Lanced Panel	085-00960-000
60	3		End Top/Bottom Lanced Panel	085-00959-000
60	4		End Top/Bottom Lanced Panel, Electric Heat	085-00994-000
60	1,2,3		Lanced Panel Set	385-00439-202
60	1,2,4		Lanced Panel Set, Electric Heat	385-00439-205
61	1		70-105	Side Lanced Panel
61	2	End Lanced Panel		085-00964-000
61	3	End Top Lanced Panel		085-00966-000
61	4	End Bottom Lanced Panel		085-00959-000
61	5	End Top Lanced Panel, Electric Heat		085-00994-000
61	6	End Bottom Lanced Panel, Electric Heat		085-00994-002
61	1,2,3,4	Lanced Panel Set		385-00439-208
61	1,2,5,6	Lanced Panel Set, Electric Heat		385-00439-210

**TABLE 62 - CONDENSER COIL WIRE GUARDS**

FIGURE	ITEM	UNIT SIZE	DESCRIPTION	PART NUMBER
60	5	50-65	Side Wire Guard	026-36430-001
60	6		End Wire Guard	026-36430-002
60	7		End Top/Bottom Wire Guard	026-36431-001
60	8		End Top/Bottom Wire Guard, Electric Heat	026-36431-003
60	5,6,7		Wire Guard Set	385-00439-201
60	5,6,8		Wire Guard Set, Electric Heat	385-00439-204
61	7		70-105	Side Wire Guard
61	8	End Wire Guard		026-36430-004
61	9	End Bottom Wire Guard		026-36431-001
61	10	End Top Wire Guard		026-36431-002
61	11	End Top Wire Guard, Electric Heat		026-36431-004
61	12	End Bottom Wire Guard, Electric Heat		026-36431-003
61	7,8,9,10	Wire Guard Set		385-00439-207
61	7,8,11,12	Wire Guard Set, Electric Heat		385-00439-206

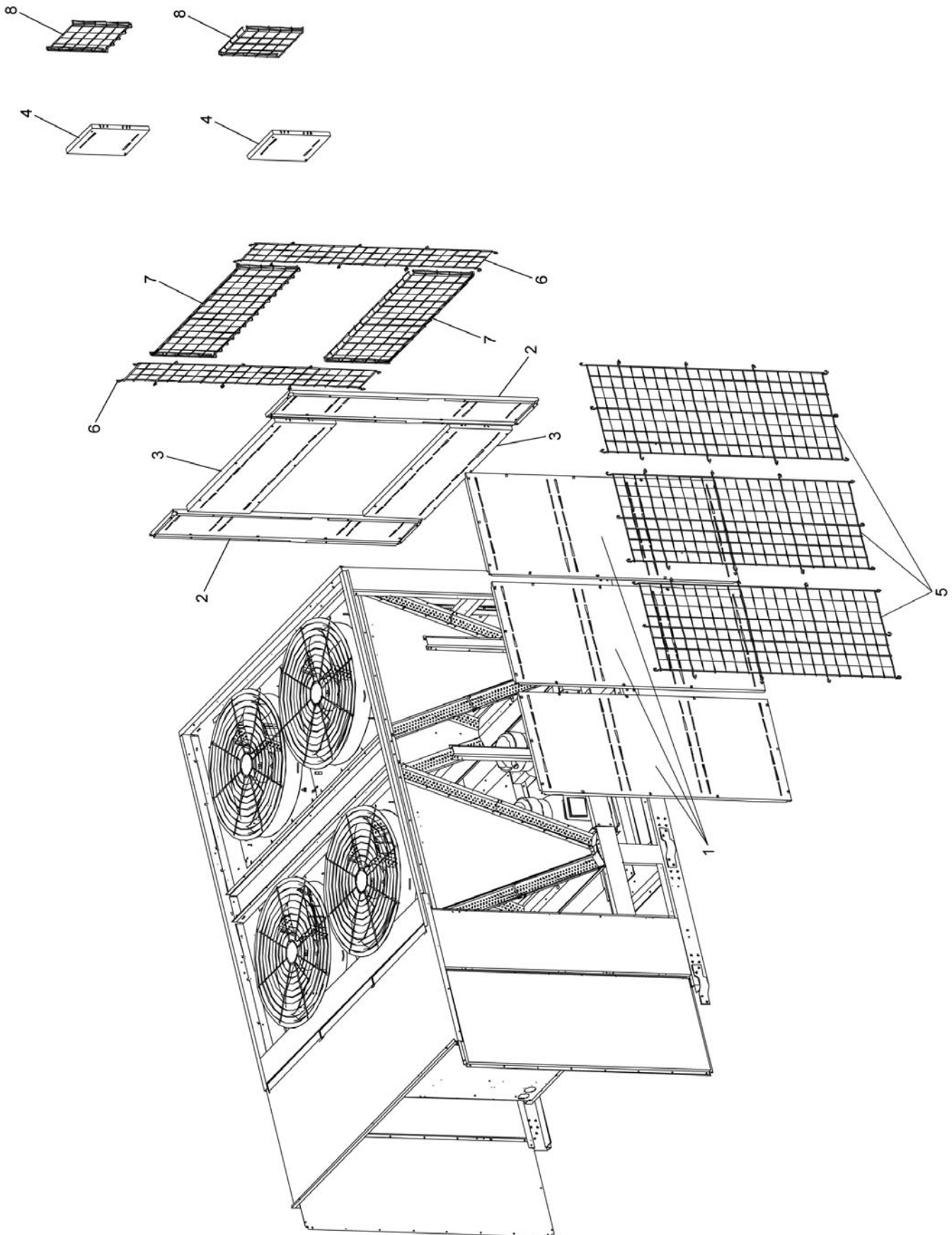
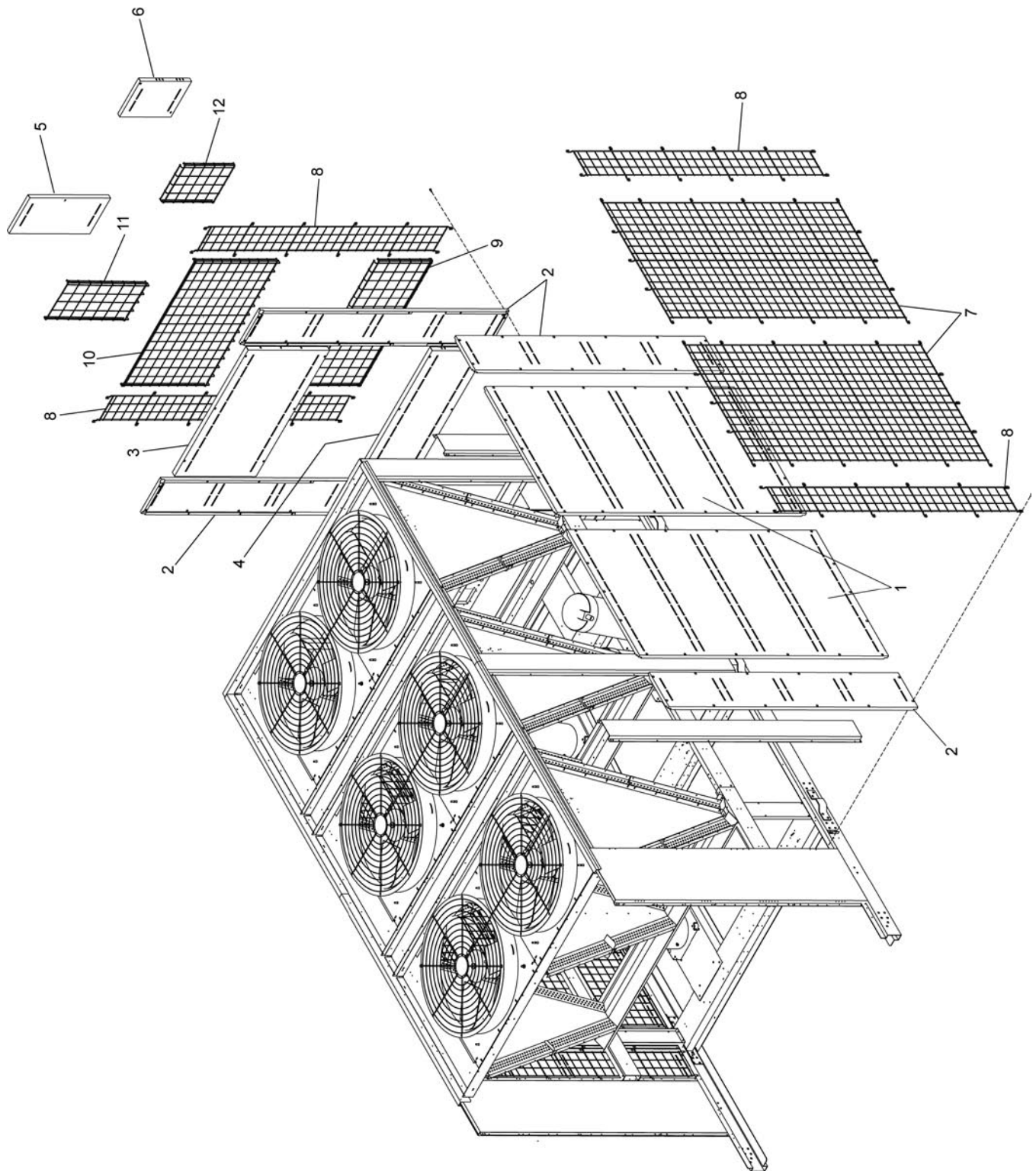


FIG. 60 - CONDENSER COIL LANCED PANELS AND WIRE GUARDS (50-65 TON)



**FIG. 61 - CONDENSER COIL LANCED PANELS AND WIRE GUARDS (50-65 TON)**

**TABLE 63 - CONDENSER FANS AND FAN GUARDS**

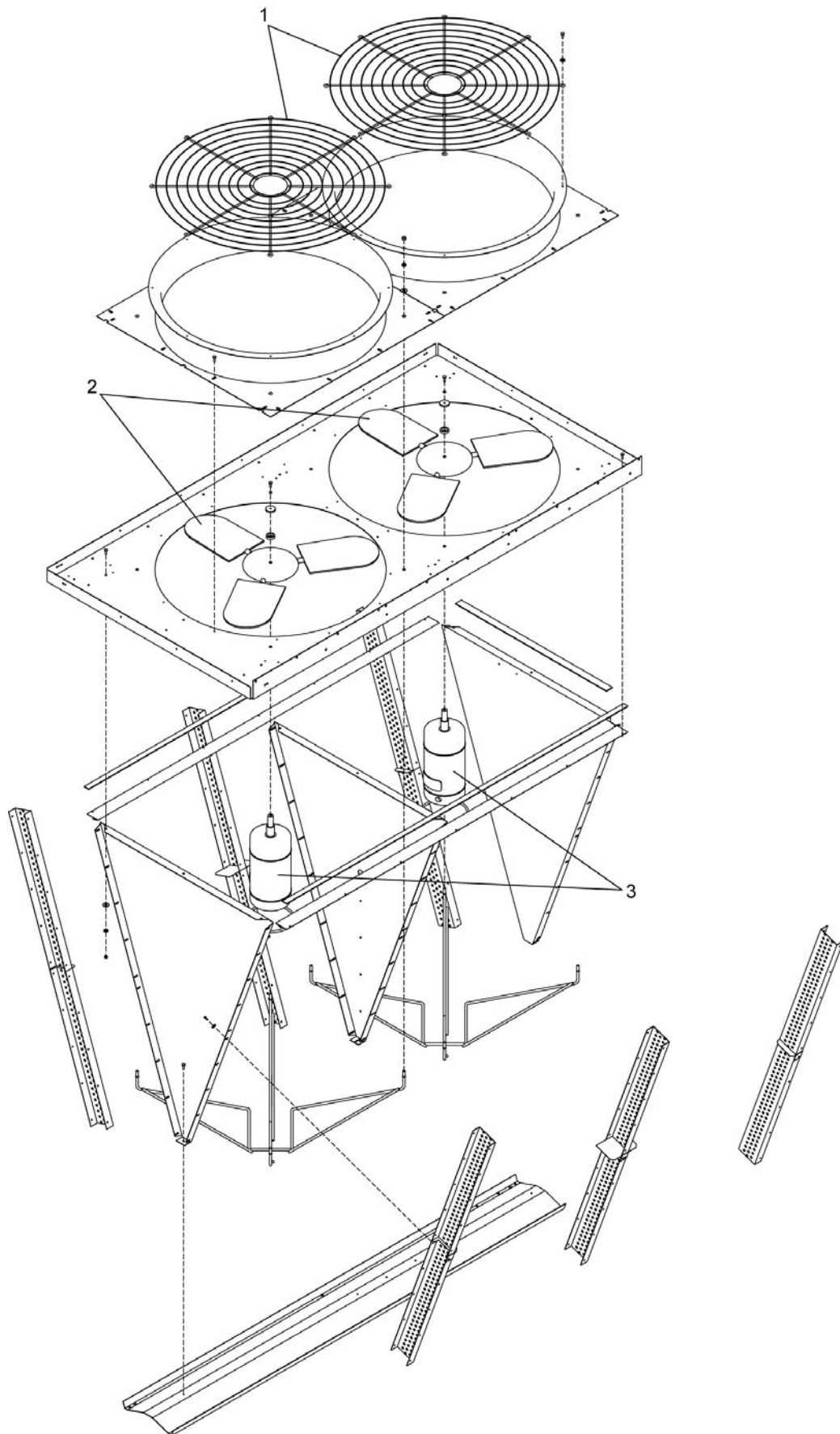
FIGURE	ITEM	UNIT SIZE	DESCRIPTION	PART NUMBER
62	1	50-105	Fan Guard	026-35605-000
62	2		Fan	026-41594-000

**TABLE 64 - CONDENSER FAN MOTORS**

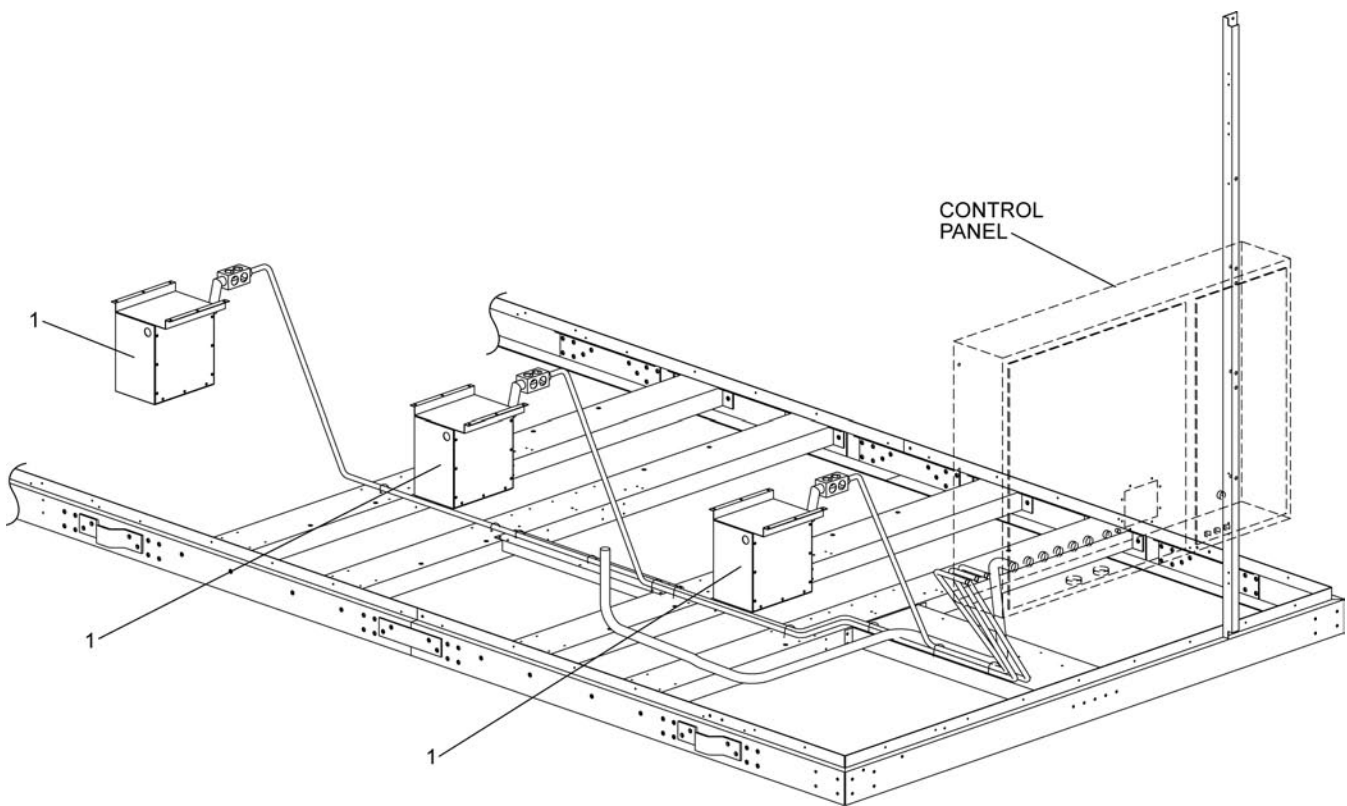
FIGURE	ITEM	UNIT SIZE	VOLTAGE	PART NUMBER	QTY
62	3	50-65	200	024-27322-003	4
62	3		230	024-27322-006	4
62	3		380	024-27322-004	4
62	3		400 (50 Hz)	024-27322-005	4
62	3		460	024-27322-005	4
62	3		575	024-27322-002	4
62	3	70-105	200	024-27322-003	6
62	3		230	024-27322-006	6
62	3		380	024-27322-004	6
62	3		400 (50 Hz)	024-27322-005	6
62	3		460	024-27322-005	6
62	3		575	024-27322-002	6

**TABLE 65 - CONDENSER FAN MOTOR VARIABLE FREQUENCY DRIVES**

FIGURE	ITEM	UNIT SIZE	VOLTAGE	HERTZ	PART NUMBER
63	1	50-105	200-230	60	024-35393-002
63	1		460	60	024-35393-001
63	1		575	60	CONTACT YORK SERVICE
63	1		400	50	024-35393-001
63	1		380	60	024-35393-001



**FIG. 62 - CONDENSER FANS, FAN GUARDS, AND FAN MOTORS**



LD11884

**FIG. 63 - CONDENSER FAN MOTOR VARIABLE FREQUENCY DRIVES**

**TABLE 66 - CONDENSER COILS (R407C)**

FIG.	ITEM	UNIT SIZE	PART NUMBER				QTY.
			ALUMINUM FINS	COPPER FINS	ALUMINUM PRE-COAT BLACK FINS	ALUMINUM POST-COAT TECHNICOAT FINS	
64	1	50-65	385-00542-015	385-00542-115	385-00542-215	385-00542-315	8
65	1	70-75	385-00542-016	385-00542-116	385-00542-216	385-00542-316	12
64	1	80-105	385-00542-015	385-00542-115	385-00542-215	385-00542-315	12

NOTE:

When replacing condenser coils, headers must also be replaced (see TABLES 68 and 69).

**TABLE 67 - CONDENSER COILS (R22)**

FIG.	ITEM	UNIT SIZE	PART NUMBER				QTY.
			ALUMINUM FINS	COPPER FINS	ALUMINUM PRE-COAT BLACK FINS	ALUMINUM POST-COAT TECHNICOAT FINS	
66	1	50-65	385-00542-017	385-00542-117	385-00542-217	385-00542-317	8
65	1	70-75	385-00542-018	385-00542-118	385-00542-218	385-00542-318	12
66	1	80-95	385-00542-017	385-00542-117	385-00542-217	385-00542-317	12
66	1	105	385-00542-019	385-00542-119	385-00542-219	385-00542-319	12

NOTE:

When replacing condenser coils, headers must also be replaced (see TABLES 70 and 71).

**TABLE 68 - CONDENSER DISCHARGE HEADERS (R407)**

FIG.	ITEM	UNIT SIZE	LOCATION	PART NUMBER		QTY.
				ALUMINUM, COPPER, AND ALUMINUM PRE-COAT BLACK FINS	ALUMINUM POST-COAT TECHNICOAT FINS	
64	2	50-65	Right Hand	023-20028-000	023-20028-100	2
	3		Left Hand	023-20028-000	023-20028-100	2
65	2	70-75	Right Hand	023-20028-010	023-20028-110	3
	3		Left Hand	023-20028-010	023-20028-110	3
64	2	80-105	Right Hand	023-20028-000	023-20028-100	3
	3		Left Hand	023-20028-000	023-20028-100	3

**TABLE 69 - CONDENSER LIQUID HEADERS (R407)**

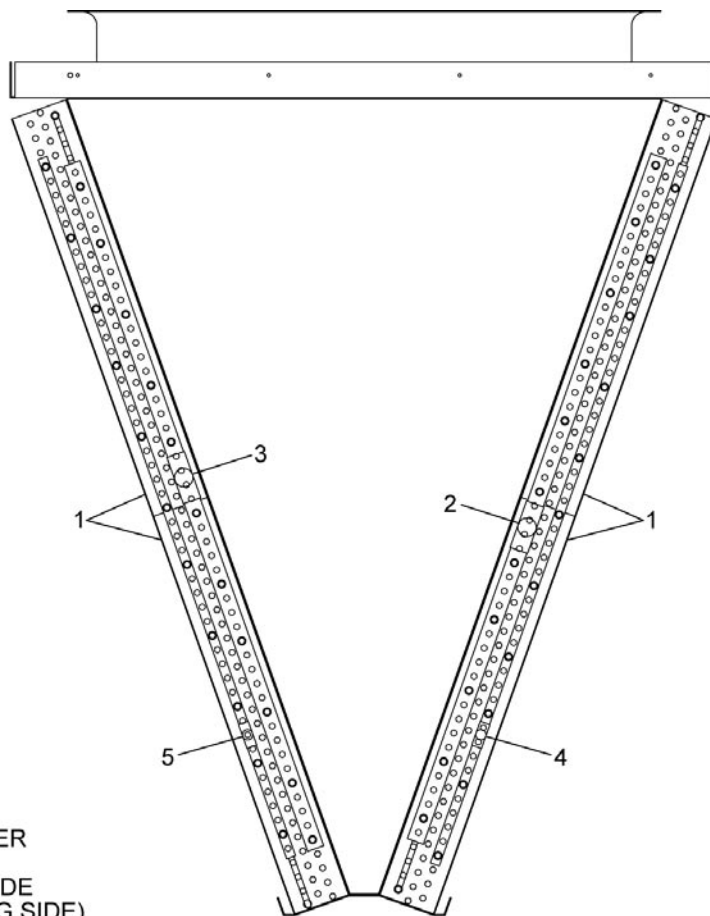
FIG.	ITEM	UNIT SIZE	LOCATION	PART NUMBER		QTY.
				ALUMINUM, COPPER, AND ALUMINUM PRE-COAT BLACK FINS	ALUMINUM POST-COAT TECHNICOAT FINS	
64	4	50-65	Right Hand	023-20027-000	023-20027-100	2
	5		Left Hand	023-20027-001	023-20027-101	2
65	4	70-75	Right Hand	023-20027-010	023-20027-110	3
	5		Left Hand	023-20027-011	023-20027-111	3
64	4	80-105	Right Hand	023-20027-000	023-20027-100	3
	5		Left Hand	023-20027-001	023-20027-101	3

**TABLE 70 - CONDENSER DISCHARGE HEADERS (R22)**

FIGURE	ITEM	UNIT SIZE	LOCATION	PART NUMBER		QTY
				ALUMINUM, COPPER, AND ALUMINUM PRE-COAT BLACK FINS	ALUMINUM POST-COAT TECHNICOAT FINS	
66	2	50-65	Right Hand	023-20070-000	023-20072-000	2
	3		Left Hand	023-20070-001	023-20072-001	2
65	2	70-75	Right Hand	023-20028-010	023-20028-110	3
	3		Left Hand	023-20028-010	023-20028-110	3
66	2	80-105	Right Hand	023-20070-000	023-20072-000	3
	3		Left Hand	023-20070-001	023-20072-001	3

**TABLE 71 - CONDENSER LIQUID HEADERS (R22)**

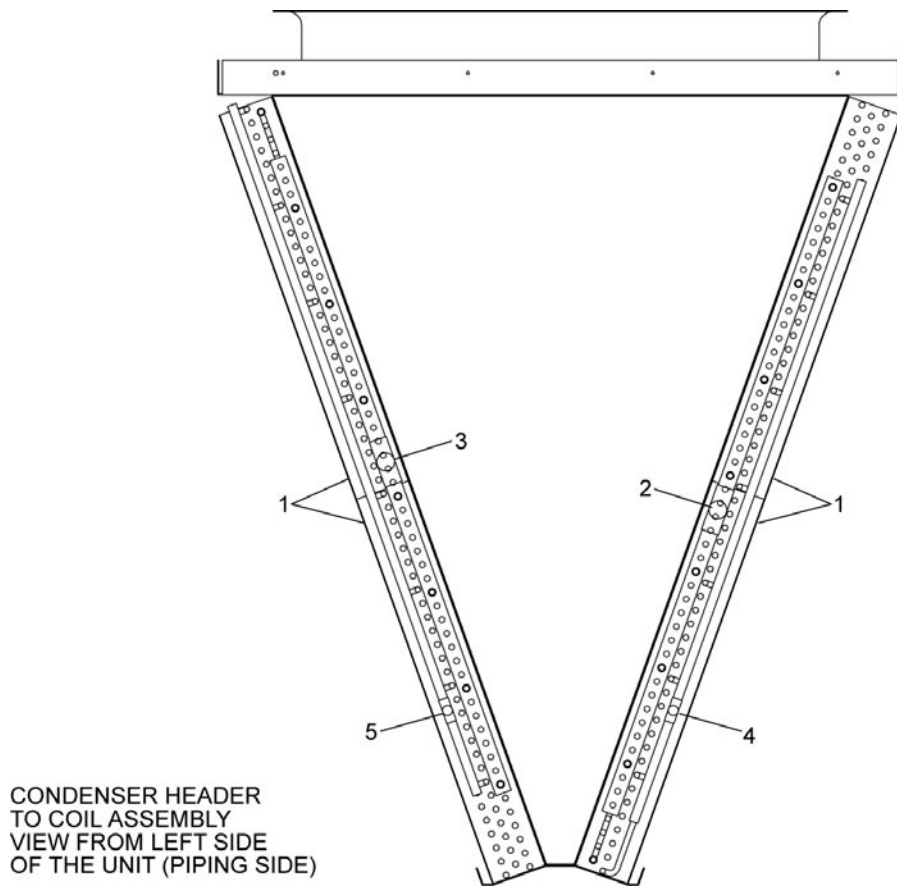
FIGURE	ITEM	UNIT SIZE	LOCATION	PART NUMBER		QTY
				ALUMINUM, COPPER, AND ALUMINUM PRE-COAT BLACK FINS	ALUMINUM POST-COAT TECHNICOAT FINS	
66	4	50-65	Right Hand	023-20069-000	023-20071-000	2
	5		Left Hand	023-20069-001	023-20071-001	2
65	4	70-75	Right Hand	023-20027-010	023-20027-110	3
	5		Left Hand	023-20027-011	023-20027-111	3
66	4	80-105	Right Hand	023-20069-000	023-20071-000	3
	5		Left Hand	023-20069-001	023-20071-001	3



CONDENSER HEADER  
TO COIL ASSEMBLY  
VIEW FROM LEFT SIDE  
OF THE UNIT (PIPING SIDE)

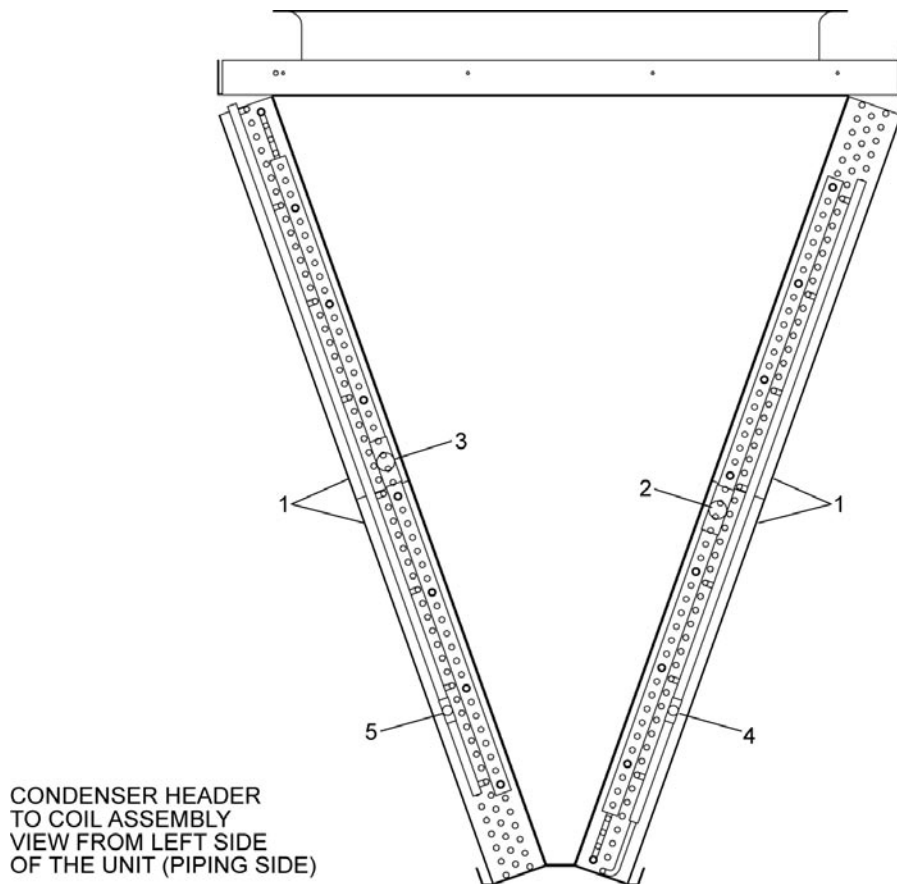
LD11885

**FIG. 64 - CONDENSER COILS AND HEADERS FOR R407C (50-65 AND 80-105 TON)**



LD11886

**FIG. 65 - CONDENSER COILS AND HEADERS FOR R407C AND R22 (70-75 TON)**



LD11887

**FIG. 66 - CONDENSER COILS AND HEADERS FOR R22 (80-105 TON)**

**TABLE 72 - REFRIGERANT PIPING PARTS (R407C AND R22)**

FIG	ITEM	UNIT SIZE	DESCRIPTION	PART NUMBER	QTY
68	1	50	TXV and Distributor Assembly (Flexsys) <sup>1</sup>	026-36383-001	4
68	1	55	TXV and Distributor Assembly (Flexsys) <sup>1</sup>	026-36383-002	4
68	1	60	TXV and Distributor Assembly (Flexsys) <sup>1</sup>	026-36383-003	4
68	1	65	TXV and Distributor Assembly (Flexsys) <sup>1</sup>	026-36383-004	4
71	1	70	TXV and Distributor Assembly (Flexsys) <sup>1</sup>	026-36383-006	4
71	2			026-36383-017	2
71	1	75	TXV and Distributor Assembly (Flexsys) <sup>1</sup>	026-36383-017	4
71	2			026-36383-018	2
71	1	80	TXV and Distributor Assembly (Flexsys) <sup>1</sup>	026-36383-015	4
71	2			026-36383-006	2
71	1	85	TXV and Distributor Assembly (Flexsys) <sup>1</sup>	026-36383-017	4
71	2			026-36383-018	2
71	1	90	TXV and Distributor Assembly (Flexsys) <sup>1</sup>	026-36383-011	4
71	2			026-36383-012	2
71	1	95	TXV and Distributor Assembly (Flexsys) <sup>1</sup>	026-36383-003	4
71	2			026-36383-014	2
71	1	105	TXV and Distributor Assembly (Flexsys) <sup>1</sup>	026-36383-002	4
71	2			026-36383-029	2
68	1	50-55	TXV and Distributor Assembly (Nonflexsys) <sup>1</sup>	026-36383-020	4
68	1	60-65	TXV and Distributor Assembly (Nonflexsys) <sup>1</sup>	026-36383-021	4
71	1	70	TXV and Distributor Assembly (Nonflexsys) <sup>1</sup>	026-36383-024	4
71	2			026-36383-020	2
71	1	75	TXV and Distributor Assembly (Nonflexsys) <sup>1</sup>	026-36383-025	4
71	2			026-36383-020	2
71	1	80-85	TXV and Distributor Assembly (Nonflexsys) <sup>1</sup>	026-36383-026	4
71	2			026-36383-026	2
71	1	90	TXV and Distributor Assembly (Nonflexsys) <sup>1</sup>	026-36383-027	4
71	2			026-36383-028	2
71	1	95	TXV and Distributor Assembly (Nonflexsys) <sup>1</sup>	026-36383-027	4
71	2			026-36383-020	2
71	1	105	TXV and Distributor Assembly (Nonflexsys) <sup>1</sup>	026-36383-030	4
71	2			026-36383-030	2
68	3	50-55	Solenoid Valve (Flexsys)	025-36165-000	2
68	3	60-65	Solenoid Valve (Flexsys)	025-36166-000	2
71	3	70-105	Solenoid Valve (Flexsys)	025-36166-000	3
68	4	50-55	Solenoid Valve	025-17464-000	2
68	5	60-65	Solenoid Valve	025-32916-000	2
71	4	70-85	Solenoid Valve	025-17464-000	3
71	4	90-105	Solenoid Valve	025-17464-000	1
71	5		Solenoid Valve	025-32916-000	2
68	6	50-65	Sight Glass	026-15305-000	2
71	6	70-105	Sight Glass	026-15305-000	3
69, 72	7	50-105	Hot Gas Bypass Valve	025-36171-000	1
67, 68	8	50-65	Service Valve with Core	022-15213-000	10
70, 71	8	70-105	Service Valve with Core	022-15213-000	15

**TABLE 72 (CON'T) - REFRIGERANT PIPING PARTS (R407C AND R22)**

FIG	ITEM	UNIT SIZE	DESCRIPTION	PART NUMBER	QTY
67	9	50-65	Service Valve without Core	023-06596-000	4
70	9	70-105	Service Valve without Core	023-06596-000	6
67	10	50-65	Charge/Drain/Evacuation Valve	022-09754-000	4
70	10	70-105	Charge/Drain/Evacuation Valve	022-09754-000	6
67	11	50-65	High Pressure Relief Valve	022-08881-000	2
70	11	70-105	High Pressure Relief Valve	022-08881-000	3
67	12	50-65	Discharge Line Shutoff Valve	022-10501-000	2
70	12	70-105	Discharge Line Shutoff Valve	022-10501-000	3
67	13	50-65	Suction Line Shutoff Valve	022-09752-000	2
70	13	70-75	Suction Line Shutoff Valve	022-10501-000	2
70	14	70-75	Suction Line Shutoff Valve	022-09752-000	1
70	14	80-105	Suction Line Shutoff Valve	022-09752-000	3
68	15	50-65	Liquid Line Shutoff Valve	022-10500-000	2 or 4 <sup>2</sup>
71	15	70-105	Liquid Line Shutoff Valve	025-10500-000	3 or 6 <sup>3</sup>
67	16	50-65	Liquid Level Indicator	026-41616-000	2
70	16	70-105	Liquid Level Indicator	026-41616-000	3

## NOTE:

<sup>1</sup>See TABLE 75 for separate TXV and distributor part numbers.

<sup>2</sup>Quantity is 4 on units with replaceable filter drier cores.

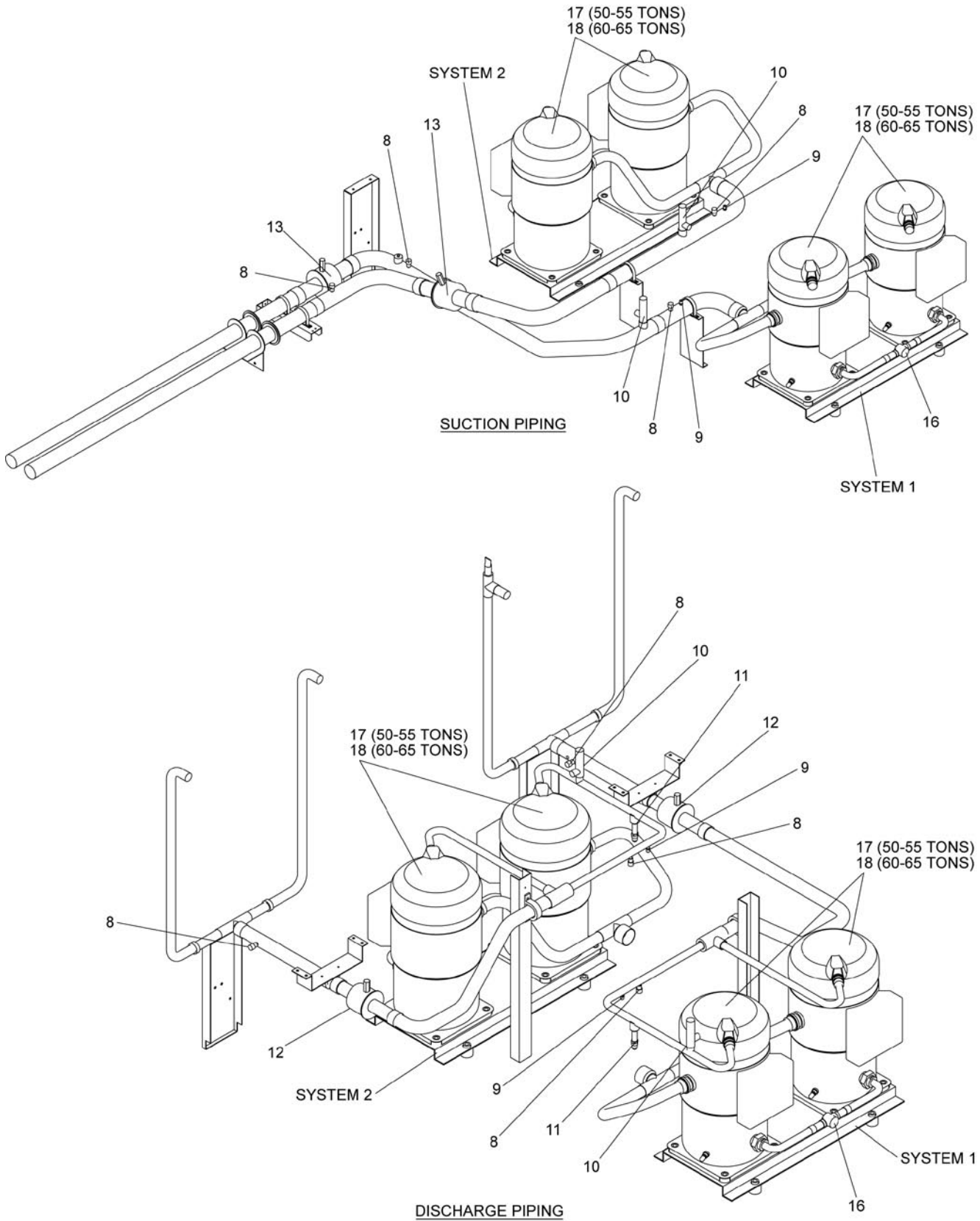
<sup>3</sup>Quantity is 6 on units with replaceable filter drier cores.

TABLE 73 - COMPRESSORS, SCROLL (R407C)

FIGURE	ITEM	UNIT SIZE	VOLTAGE	HERTZ	PART NUMBER	QUANTITY
67	17	50-55	200, 230	60	015-04011-301	4
67	17		460	60	015-04011-304	4
67	17		575	60	015-04011-305	4
67	17		400	50	015-04011-304	4
67	17		380	60	015-04011-302	4
67	18	60-65	200, 230	60	015-04008-301	4
67	18		460	60	015-04008-304	4
67	18		575	60	015-04008-305	4
67	18		400	50	015-04008-304	4
67	18		380	60	015-04008-302	4
70	17	70-75	200, 230	60	015-04011-301	2
70	19				015-04010-301	4
70	17		460	60	015-04011-304	2
70	19				015-04010-304	4
70	17		575	60	015-04011-305	2
70	19				015-04010-305	4
70	17		400	50	015-04011-304	2
70	19				015-04010-304	4
70	17		380	60	015-04011-302	2
70	19				015-04010-302	4
70	17	80-85	200, 230	60	015-04011-301	6
70	17		460	60	015-04011-304	6
70	17		575	60	015-04011-305	6
70	17		400	50	015-04011-304	6
70	17		380	60	015-04011-302	6
70	17	90-95	200, 230	60	015-04011-301	2
70	18				015-04008-301	4
70	17		460	60	015-04011-304	2
70	18				015-04008-304	4
70	17		575	60	015-04011-305	2
70	18				015-04008-305	4
70	17		400	50	015-04011-304	2
70	18				015-04008-304	4
70	17		380	60	015-04011-302	2
70	18				015-04008-302	4
70	18	105	200, 230	60	015-04008-301	6
70	18		460	60	015-04008-304	6
70	18		575	60	015-04008-305	6
70	18		400	50	015-04008-304	6
70	18		380	60	015-04008-302	6

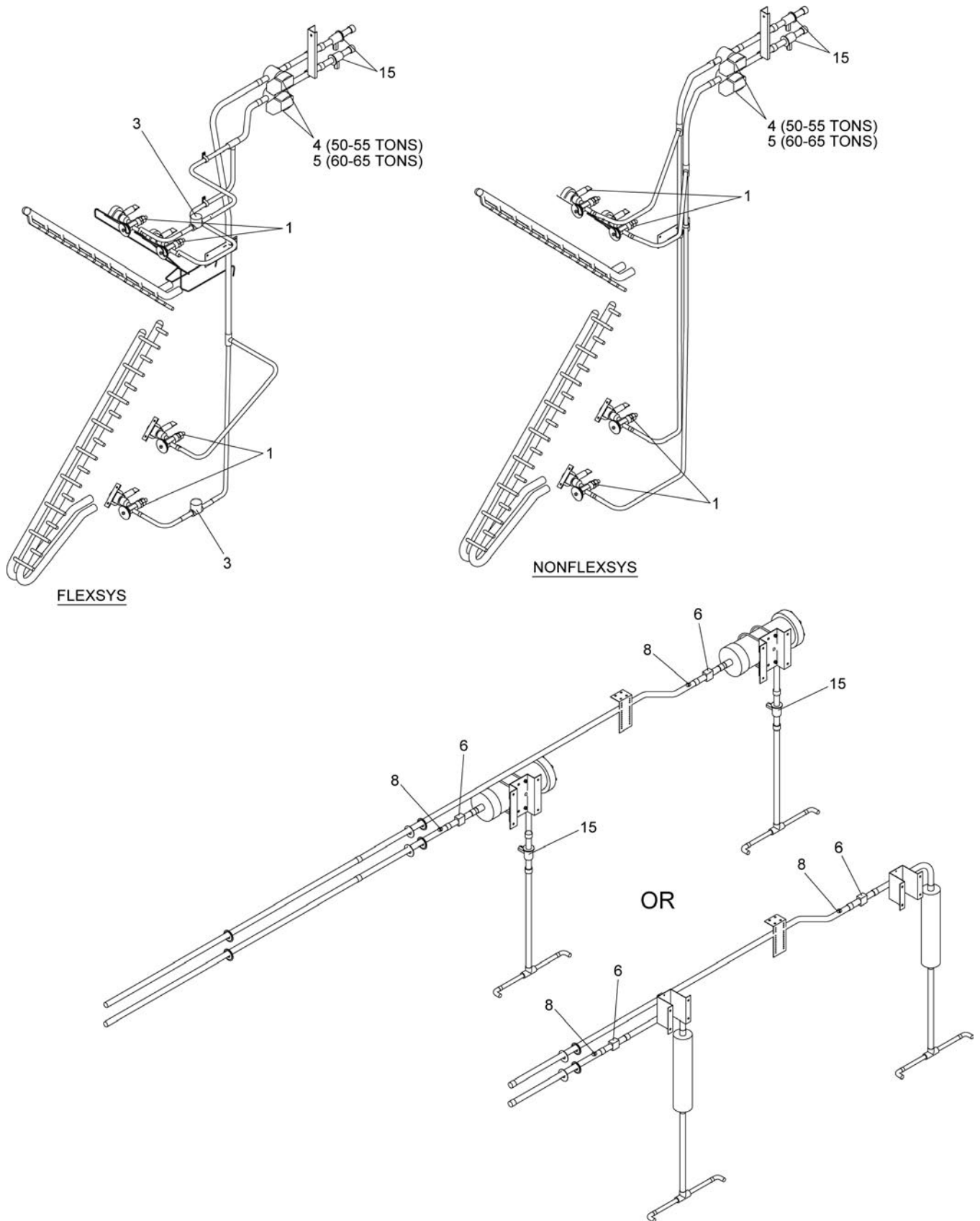
**TABLE 74 - COMPRESSORS, SCROLL (R22)**

FIGURE	ITEM	UNIT SIZE	VOLTAGE	HERTZ	PART NUMBER	QUANTITY	
67	17	50-55	200, 230	60	015-04011-101	4	
67	17		460	60	015-04011-104	4	
67	17		575	60	015-04011-105	4	
67	17		400	50	015-04011-104	4	
67	17		380	60	015-04011-102	4	
67	18	60-65	200, 230	60	015-04008-101	4	
67	18		460	60	015-04008-104	4	
67	18		575	60	015-04008-105	4	
67	18		400	50	015-04008-104	4	
67	18		380	60	015-04008-102	4	
70	17	70-75	200, 230	60	015-04011-101	2	
70	19				015-04010-101	4	
70	17		460	60	015-04011-104	2	
70	19				015-04010-104	4	
70	17		575	60	015-04011-105	2	
70	19				015-04010-105	4	
70	17		400	50	015-04011-104	2	
70	19				015-04010-104	4	
70	17		380	60	015-04011-102	2	
70	19				015-04010-102	4	
70	17		80-85	200, 230	60	015-04011-101	6
70	17			460	60	015-04011-104	6
70	17	575		60	015-04011-105	6	
70	17	400		50	015-04011-104	6	
70	17	380		60	015-04011-102	6	
70	17	90-95	200, 230	60	015-04011-101	2	
70	18				015-04008-101	4	
70	17		460	60	015-04011-104	2	
70	18				015-04008-104	4	
70	17		575	60	015-04011-105	2	
70	18				015-04008-105	4	
70	17		400	50	015-04011-104	2	
70	18				015-04008-104	4	
70	17		380	60	015-04011-102	2	
70	18				015-04008-102	4	
70	18	105	200, 230	60	015-04008-101	6	
70	18		460	60	015-04008-104	6	
70	18		575	60	015-04008-105	6	
70	18		400	50	015-04008-104	6	
70	18		380	60	015-04008-102	6	

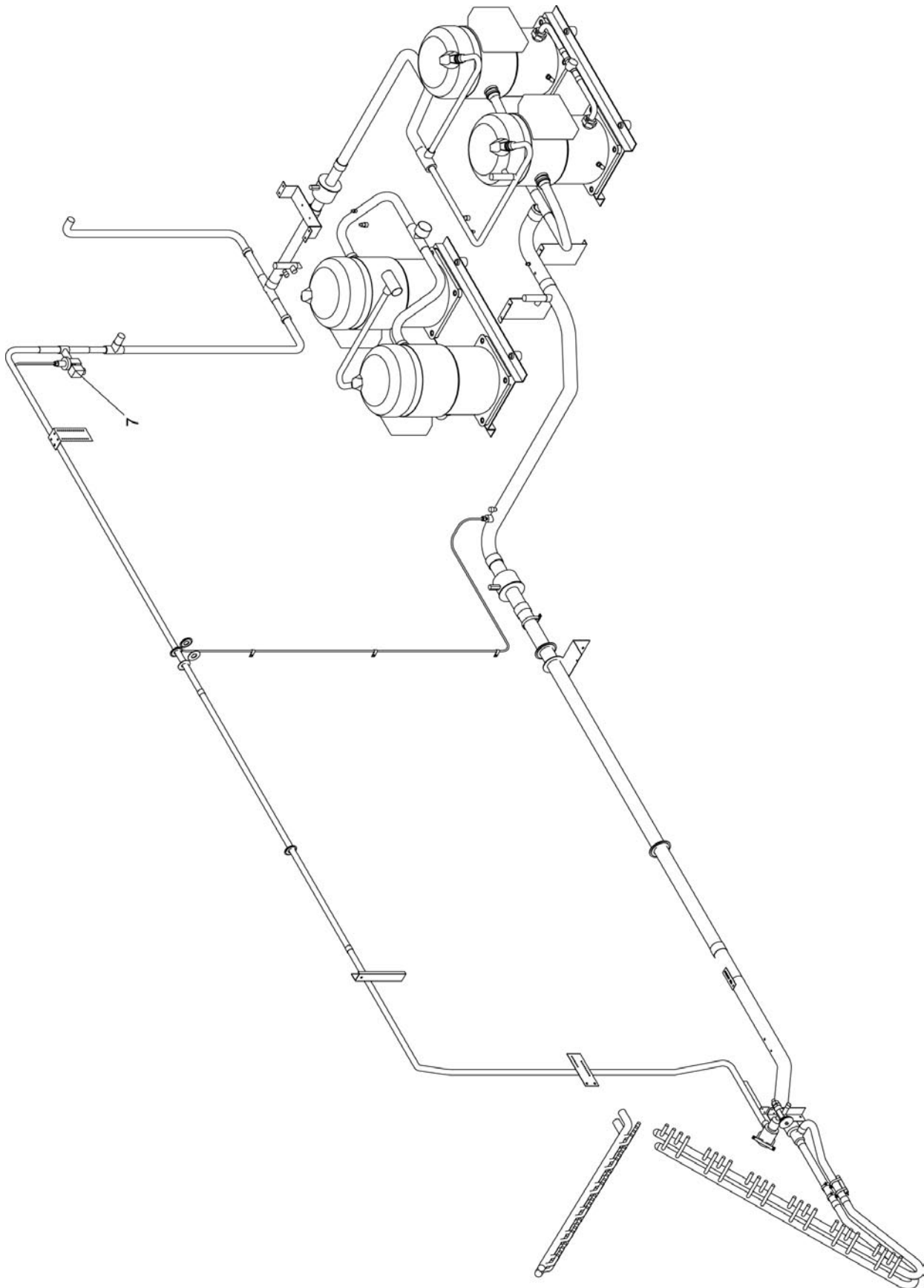


LD11888

**FIG. 67 - REFRIGERANT SUCTION AND DISCHARGE PIPING (50-65 TON)**

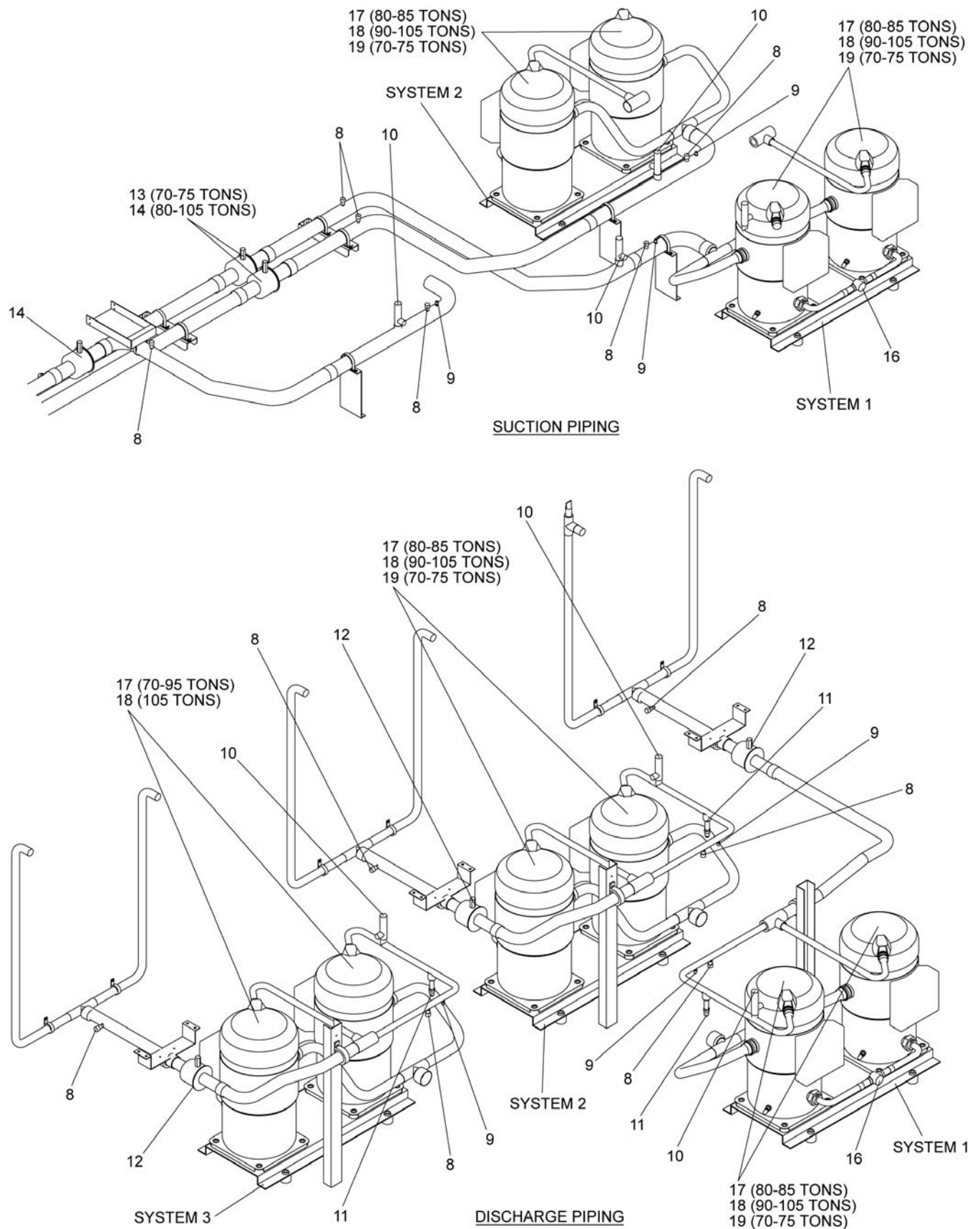


**FIG. 68 - REFRIGERANT LIQUID PIPING (50-65 TON)**



LD11890

**FIG. 69 - REFRIGERANT HOT GAS PIPING (50-65 TON)**



**FIG. 70 - REFRIGERANT SUCTION AND DISCHARGE PIPING (70-105 TON)**

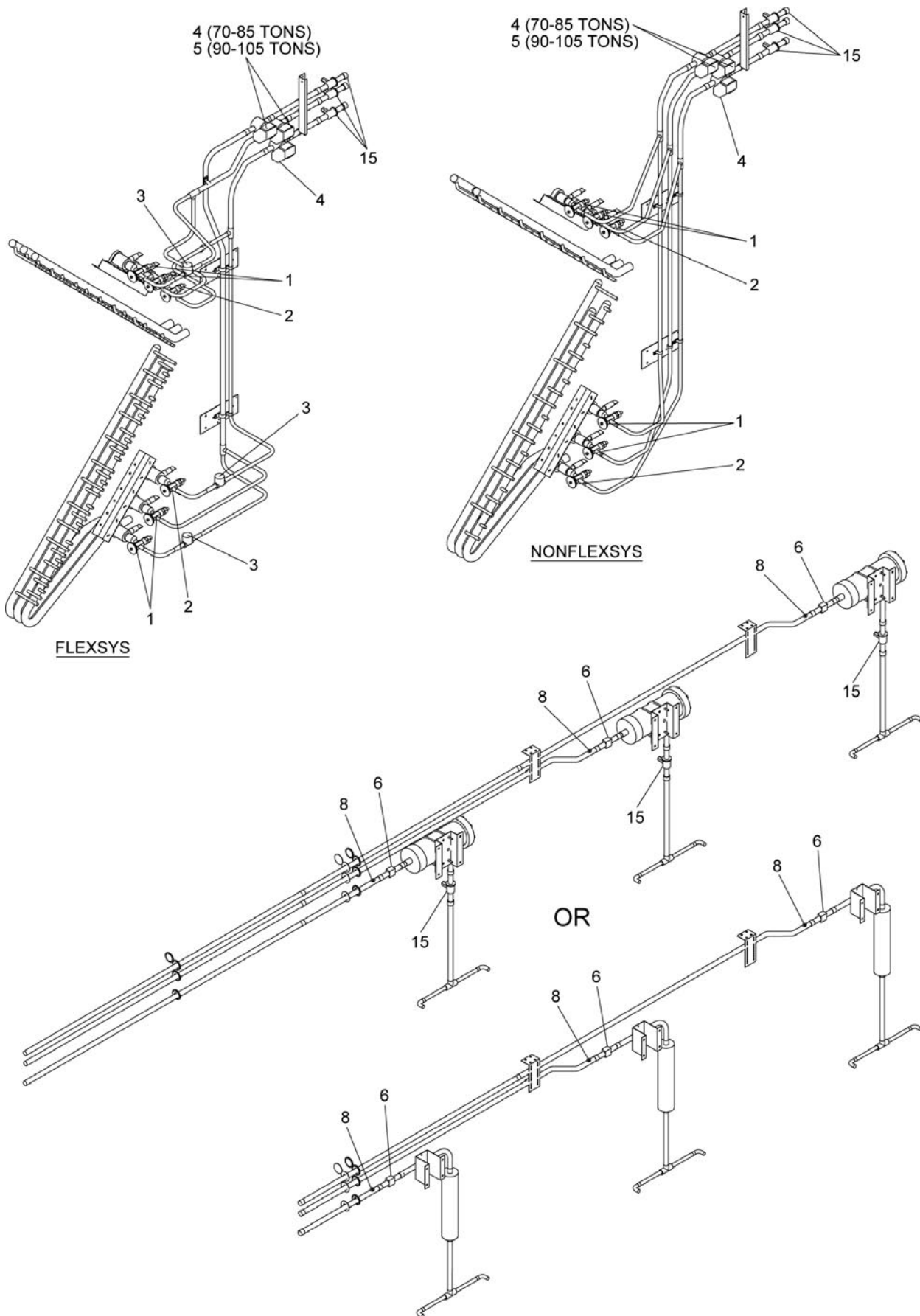
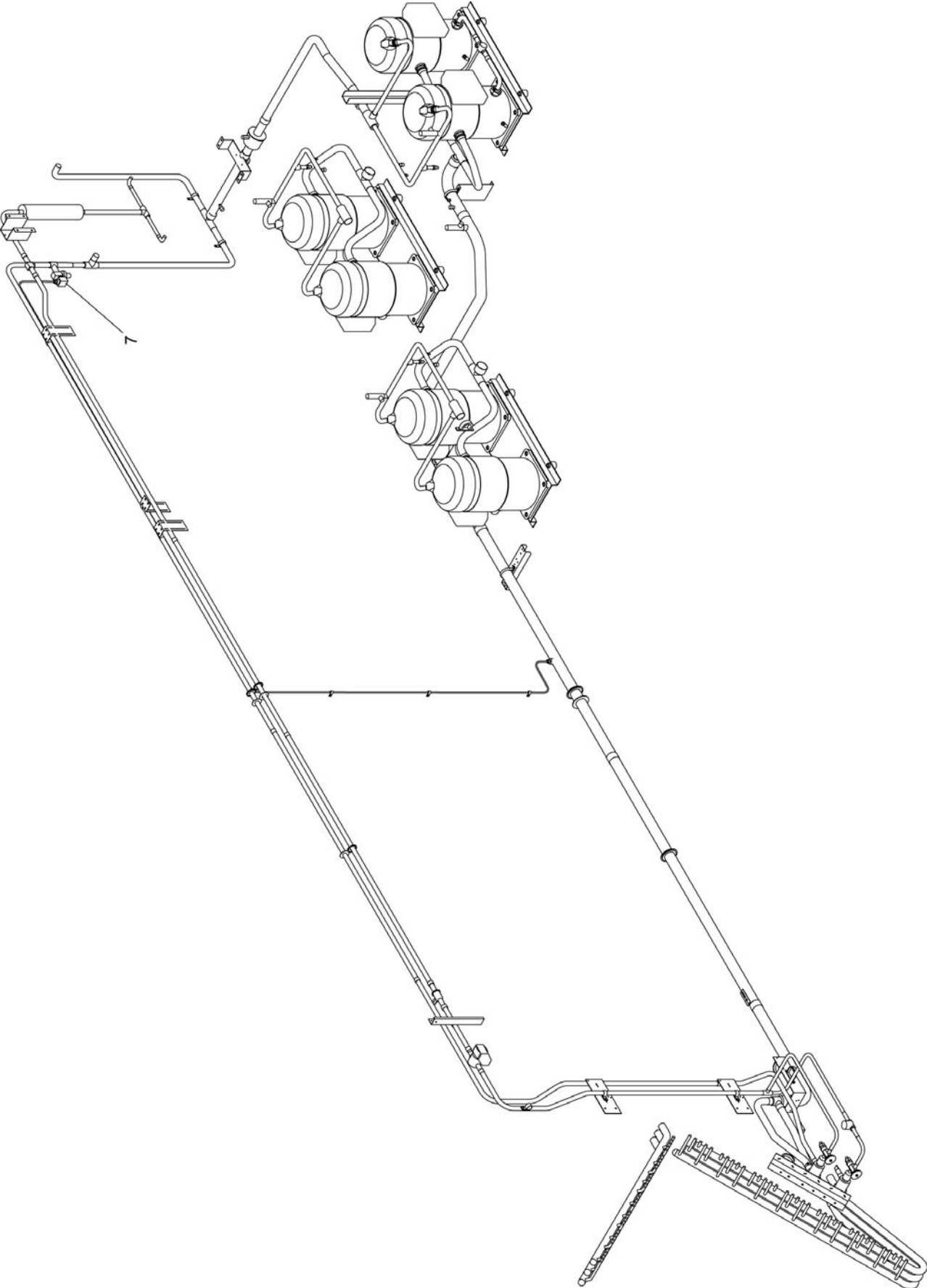


FIG. 71 - REFRIGERANT LIQUID PIPING (70-105 TON)



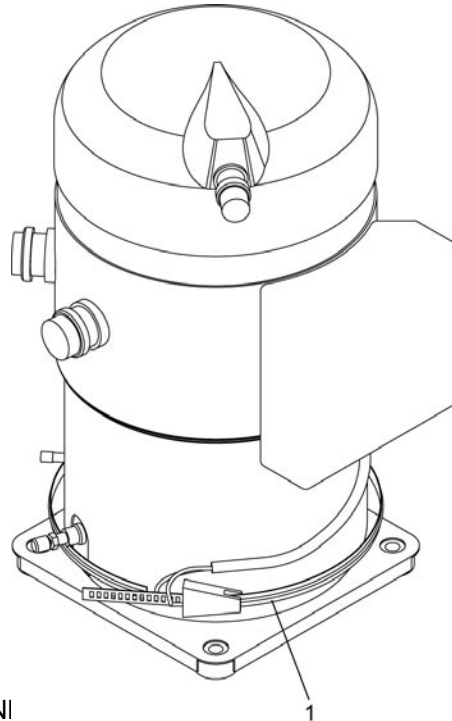
**FIG. 72 - REFRIGERANT HOT GAS PIPING (70-105 TON)**

**TABLE 75 - THERMAL EXPANSION VALVES AND DISTRIBUTORS**

<b>THERMAL EXPANSION VALVE AND DISTRIBUTOR ASSEMBLY PART NUMBER</b>	<b>THERMAL EXPANSION VALVE PART NUMBER</b>	<b>DISTRIBUTOR PART NUMBER</b>
026-36383-001	025-36361-000	025-36359-000
026-36383-002	025-36360-000	025-36358-000
026-36383-003	025-36360-000	025-36389-000
026-36383-004	025-36363-000	025-36357-000
026-36383-006	025-36361-000	025-36356-000
026-36383-011	025-36360-000	025-36354-000
026-36383-012	025-36364-000	025-36356-000
026-36383-014	025-36360-000	025-36355-000
026-36383-015	025-36362-000	025-36354-000
026-36383-017	025-36362-000	025-36389-000
026-36383-018	025-36362-000	025-36355-000
026-36383-020	025-36364-000	025-40198-000
026-36383-021	025-36364-000	025-40199-000
026-36383-024	025-36361-000	025-40200-000
026-36383-025	025-36361-000	025-40201-000
026-36383-026	025-36364-000	025-40202-000
026-36383-027	025-36360-000	025-40203-000
026-36383-028	025-36364-000	025-40204-000
026-36383-030	025-36364-000	025-40199-000

**TABLE 76 - COMPRESSOR CRANKCASE HEATERS**

FIGURE	ITEM	COMPRESSOR HORSEPOWER	VOLTAGE	WATTAGE	PART NUMBER
73	1	10	120	70	025-37888-000
73	1	12	120	70	025-37888-000
73	1	15	120	70	025-37888-000



LD11894

**FIG. 73 - COMPRESSOR CRANKCASE HEATER**

**TABLE 77 - COMPRESSOR SOUND BLANKETS**

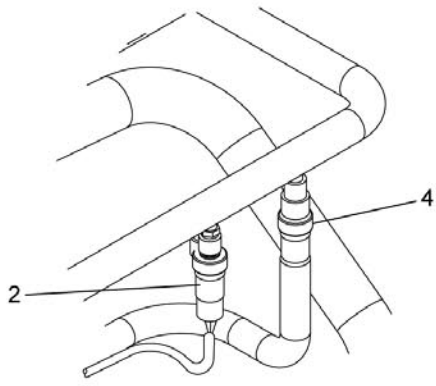
UNIT SIZE	PART NUMBER	QUANTITY
50-55	010-06507-003	4
60-65	010-06507-002	4
70-75	010-06507-003	6
80-85	010-06507-003	6
90-95	010-06507-002	4
	010-06507-003	2
105	010-06507-002	6

**TABLE 78 - TRANSDUCERS, SWITCHES, AND SENSORS**

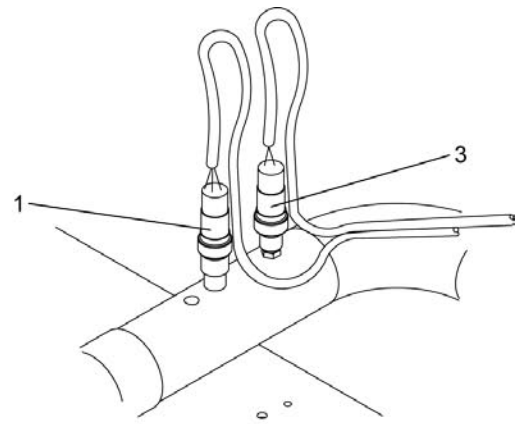
FIGURE	ITEM	LOCATION	DESCRIPTION	PART NUMBER
74, 75	1	Condenser Section	Suction Pressure Transducer	025-29139-002
74, 75	2	Condenser Section	Discharge Pressure Transducer	025-29139-001
74, 75	3	Condenser Section	Low Pressure Safety Cut-Out Switch	025-36352-002
74, 75	4	Condenser Section	High Pressure Safety Cut-Out Switch	025-28985-002
76	1	Extended Cabinet	Dirty Filter Switch	025-36116-000
76	2	Extended Cabinet	Magnehelic Gauge	025-30449-001
77	1	Heat Section	Hot Water and Steam Heat Freezestat	025-35787-002
78	1	Supply Air Section	Air Proving Switch	025-36115-001
78	2	Supply Air Section	Supply Air Temperature Sensor (Cooling Only)	025-36434-001
78	3	Supply Air Section	Suction Temperature Sensor (Cooling with Heat)	025-36432-001
78	4	Supply Air Section	Supply Air Temperature Sensor (Cooling with Heat)	025-36432-001
78	5	Supply Air Section	Support, Sensor	085-20074-102
79, 80, 81	1	Evaporator Section	Evaporator Temperature Sensor (R22)	025-36432-001
25	7	Evaporator Section	Flexsys Evaporator Temperature Sensor	025-36432-001
79	1	Filter Section	Dirty Filter Switch	025-36116-001
79	2	Filter Section	Negative Pressure Switch	025-36115-002
81	1	Economizer Section	Air Measuring Station Transducer (0.0 to 0.25 inches WC)	025-35775-010
81	2	Economizer Section	Building Pressure Transducer (-0.5 to +0.5 inches WC)	025-35808-002
81	3	Economizer Section	Duct Pressure Transducer (0.0 to 5.0 inches WC)	025-35808-002
81	4	Economizer Section	Outside Air Temperature Sensor (Internal)	025-36432-001
81	5	Economizer Section	Outside Air Temperature and Humidity Sensor	025-36433-001
81	6	Economizer Section	Return Air Temperature Sensor	025-36432-001
81	7	Economizer Section	Return Air Temperature and Humidity Sensor	025-36433-001
81	8	Economizer Section	Return Fan Pressure Transducer (-1.0 to +1.0 inches WC)	025-35808-002
80	1	Economizer Section	Outside Air Temperature Sensor (External)	025-36432-001
*		Economizer Section/ Return Air	Carbon Dioxide Sensor (Indoor/Outdoor)	025-35789-002
*		Inside Building	4 Stage Thermostat	025-36259-000
*		Inside Building	Zone Sensor without Adjustment	031-02529-000

**TABLE 79 - RETURN FAN MOTOR OVERLOAD RELAY**

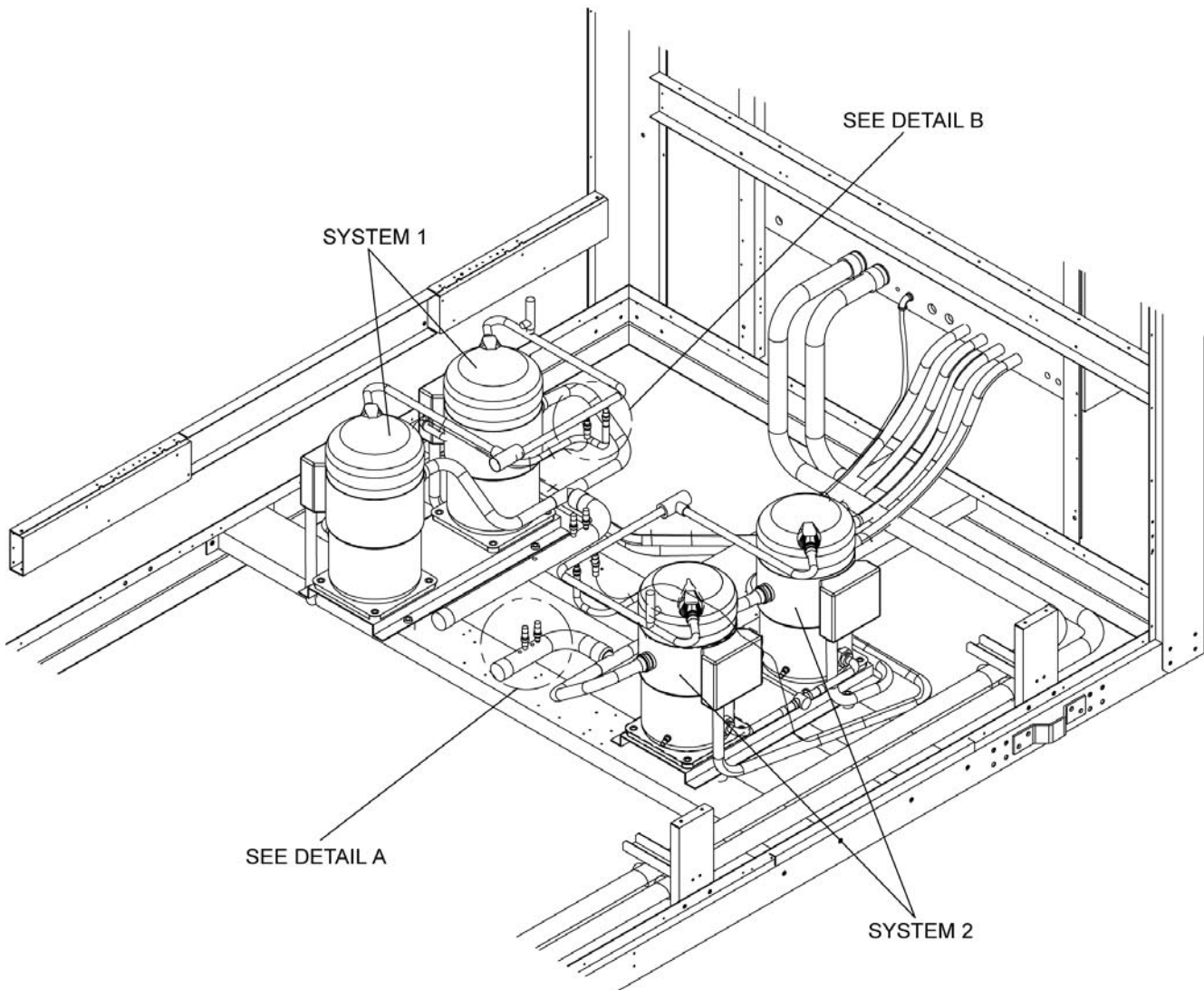
FIGURE	ITEM	UNIT SIZE	MOTOR HP	VOLTAGE	HERTZ	ADJUSTMENT RANGE (AMPS)	PART NUMBER	
81	9	50-105	5	200	60	12-18	325-36366-004	
81	9			230	60	12-18	325-36366-004	
81	9			460	60	5.5-8	325-36366-001	
81	9			575	60	5.5-8	325-36366-001	
81	9			400	50	7-10	325-36366-002	
81	9			380	60	7-10	325-36366-002	
81	9		7.5	7.5	200	60	16-24	325-36366-005
81	9				230	60	16-24	325-36366-005
81	9				460	60	9-13	325-36366-003
81	9				575	60	7-10	325-36366-002
81	9				400	50	9-13	325-36366-003
81	9				380	60	12-18	325-36366-004
81	9		10	10	200	60	23-32	325-36366-006
81	9				230	60	23-32	325-36366-006
81	9				460	60	12-18	325-36366-004
81	9				575	60	9-13	325-36366-003
81	9				400	50	12-18	325-36366-004
81	9				380	60	12-18	325-36366-004
81	9		15	15	200	60	37-50	325-36366-008
81	9				230	60	37-50	325-36366-008
81	9				460	60	16-24	325-36366-005
81	9				575	60	12-18	325-36366-004
81	9				400	50	23-32	325-36366-006
81	9				380	60	23-32	325-36366-006
81	9	90-105	20	200	60	48-65	325-36366-009	
81	9			230	60	48-65	325-36366-009	
81	9			460	60	23-32	325-36366-006	
81	9			575	60	16-24	325-36366-005	
81	9			400	50	30-38	325-36366-007	
81	9			380	60	30-38	325-36366-007	



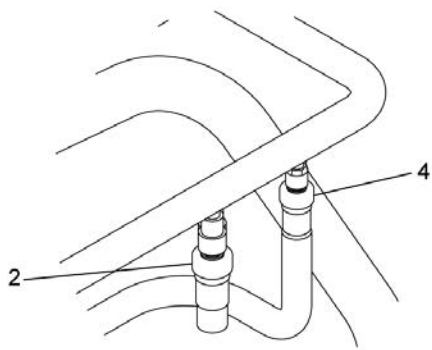
DETAIL B



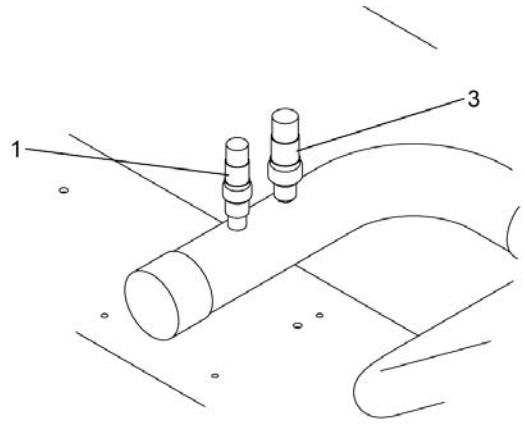
DETAIL A



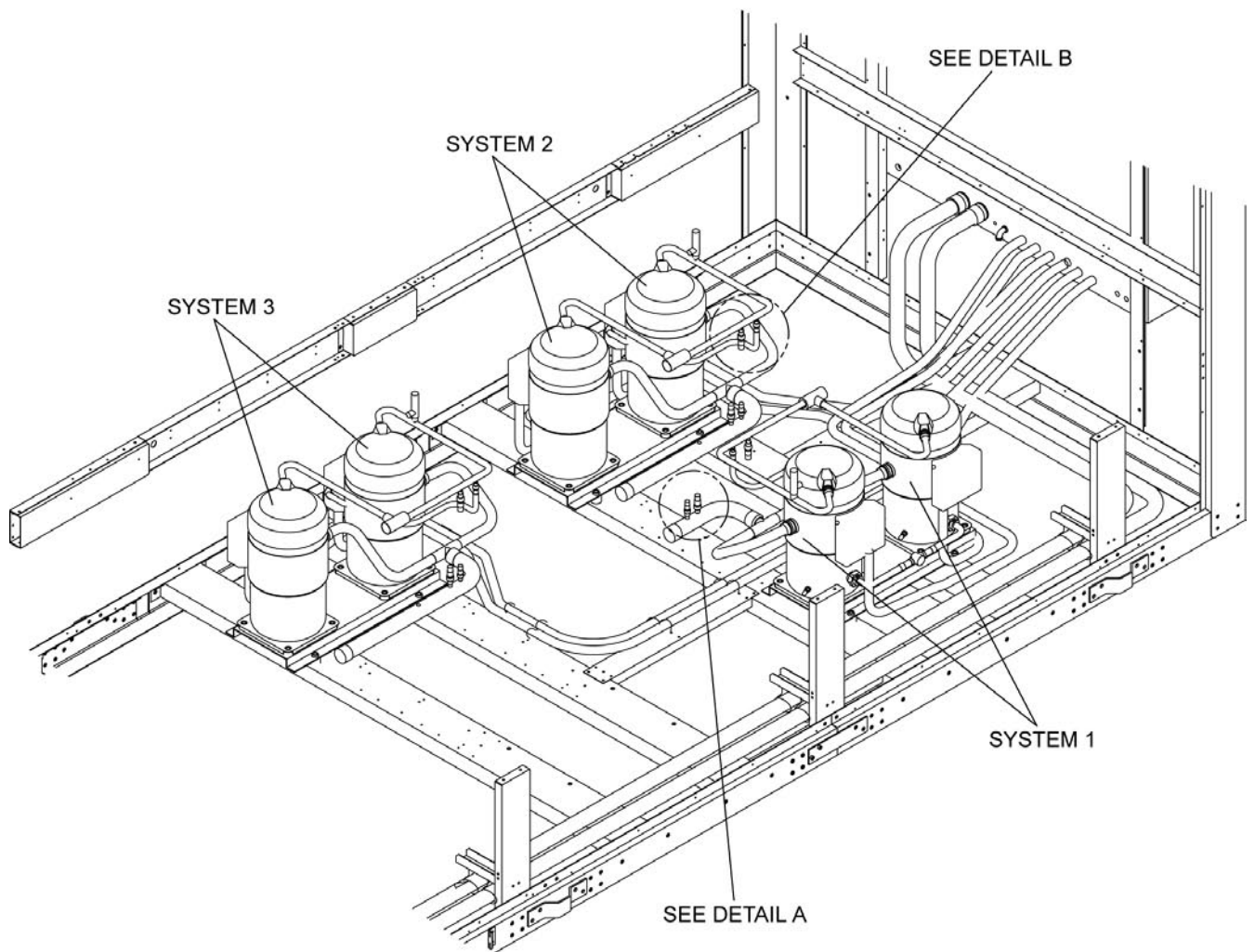
**FIG. 74 - SUCTION AND DISCHARGE PRESSURE TRANSDUCERS AND SAFETY SWITCHES (50-65 TON)**



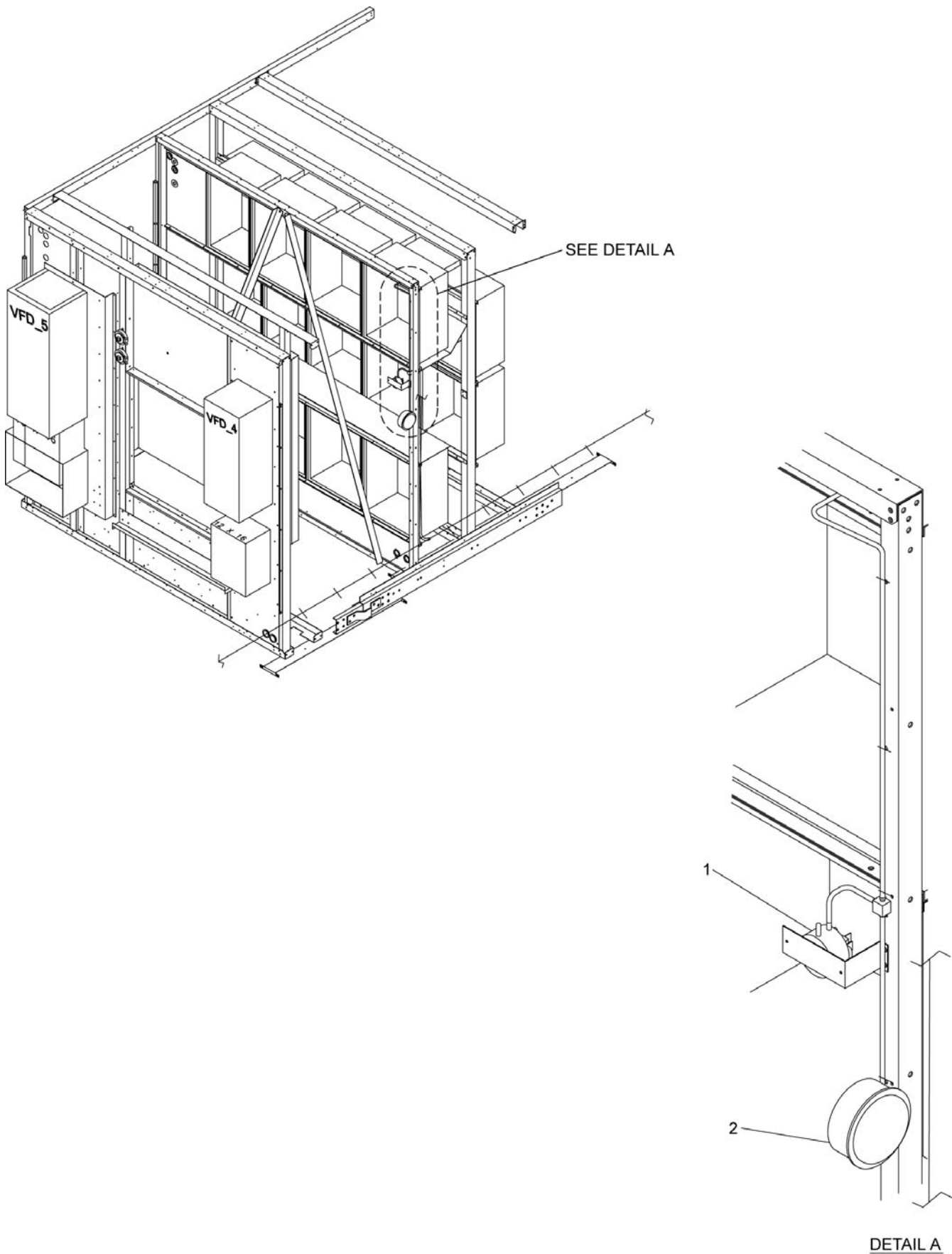
DETAIL B



DETAIL A

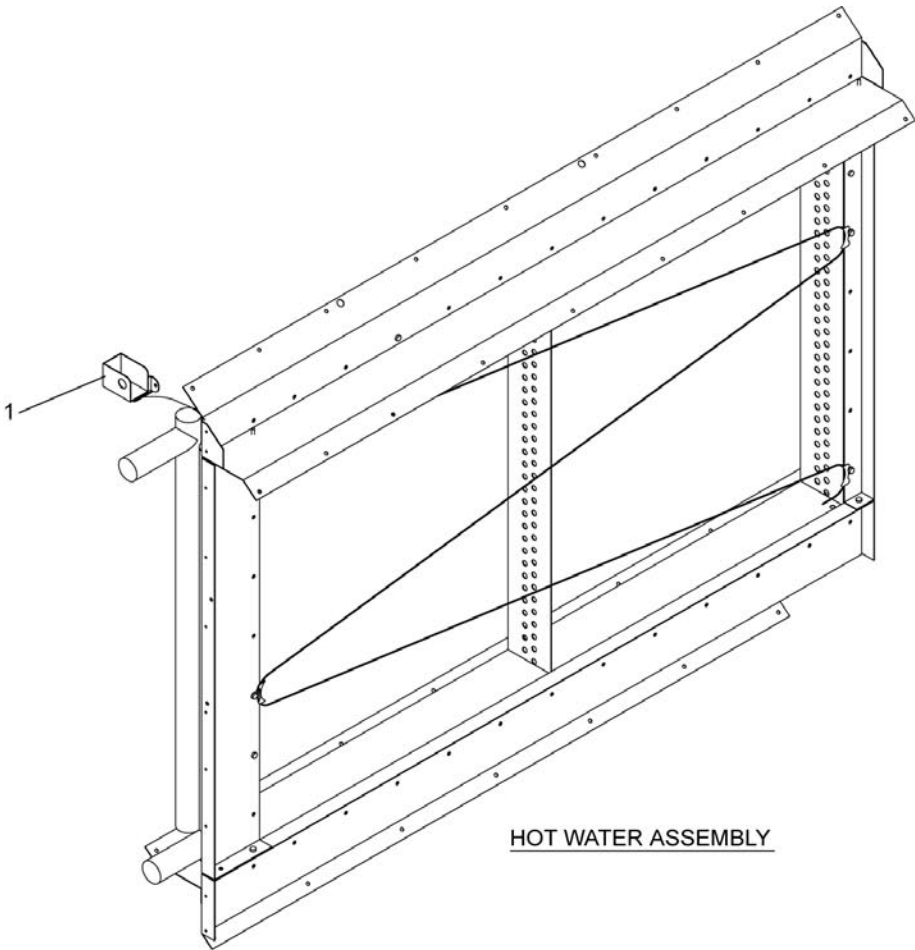


**FIG. 75 - SUCTION AND DISCHARGE PRESSURE TRANSDUCERS AND SAFETY SWITCHES (70-105 TON)**

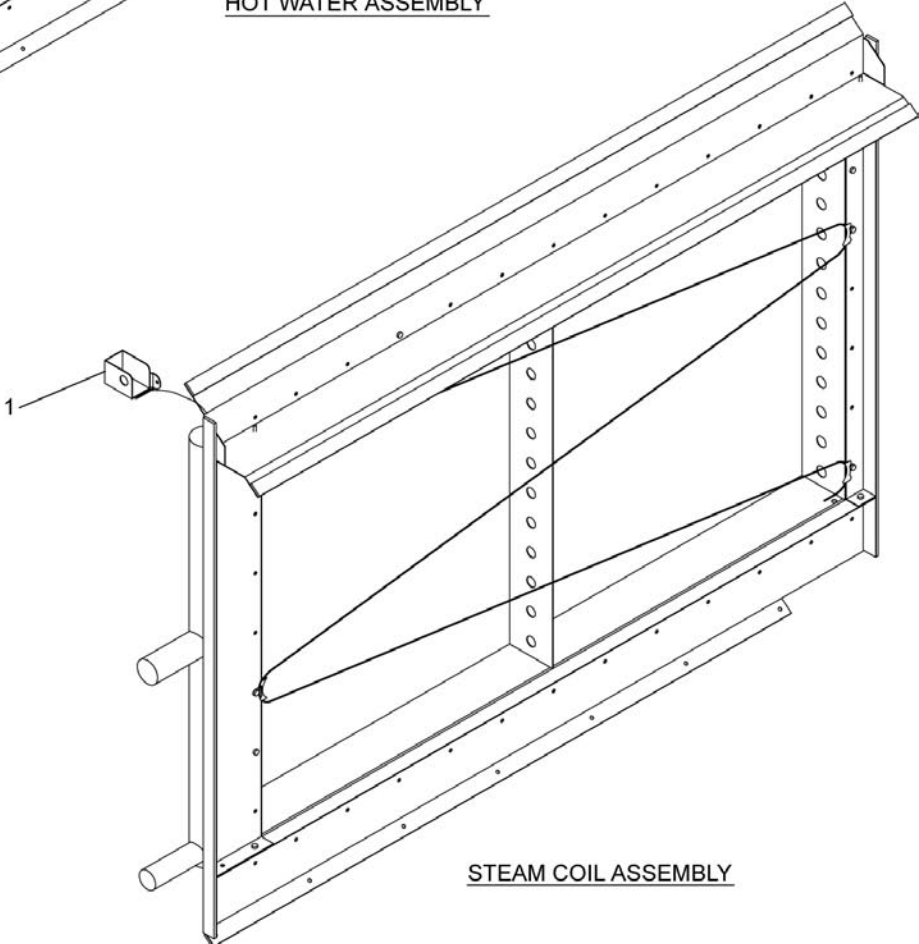


LD11897

**FIG. 76 - DIRTY FILTER SWITCH AND MAGNEHELIC GAUGE (EXTENDED CABINET)**

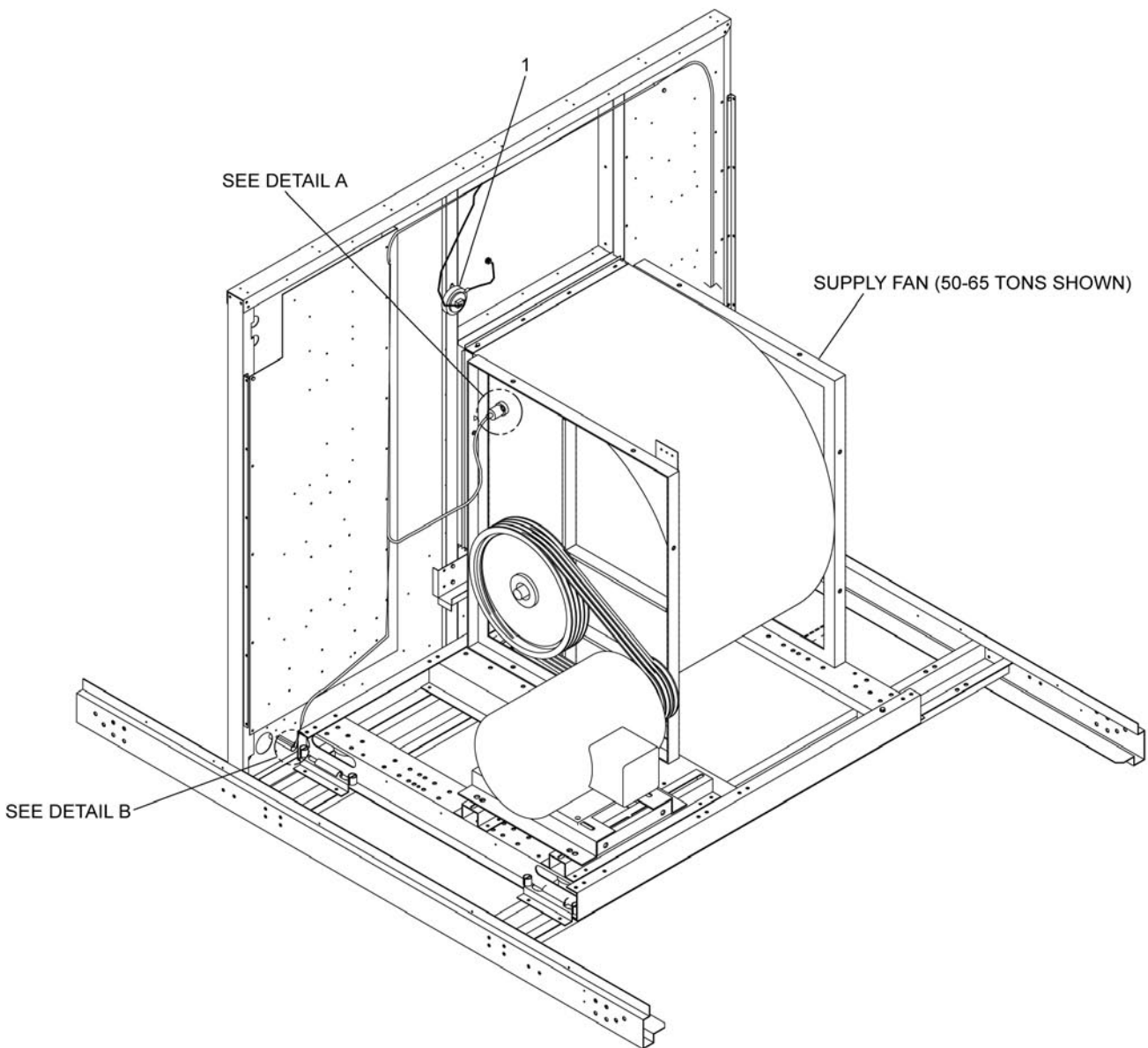
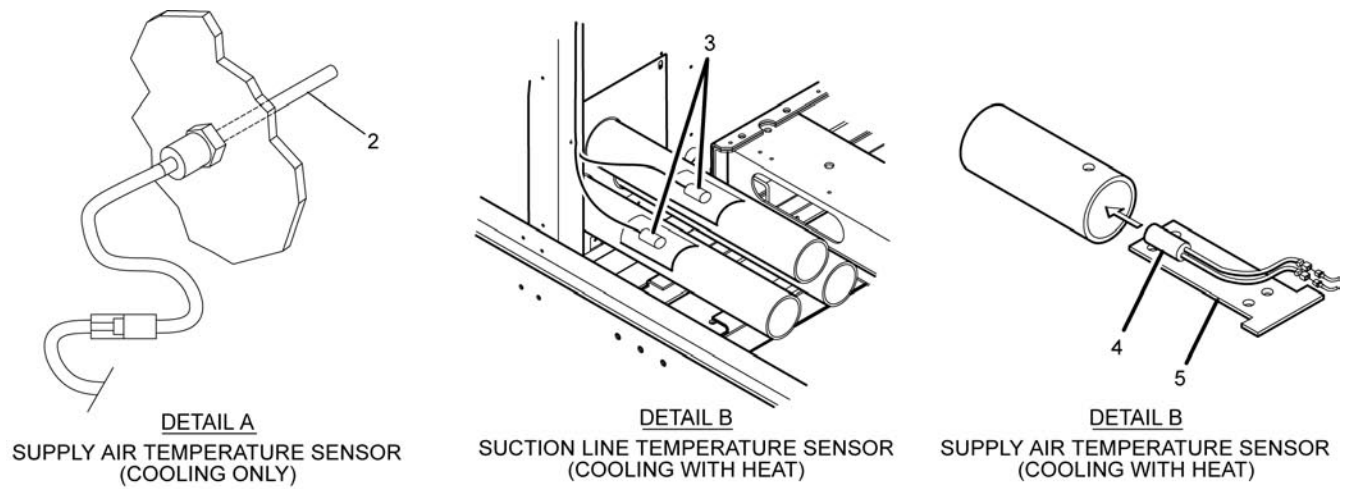


HOT WATER ASSEMBLY



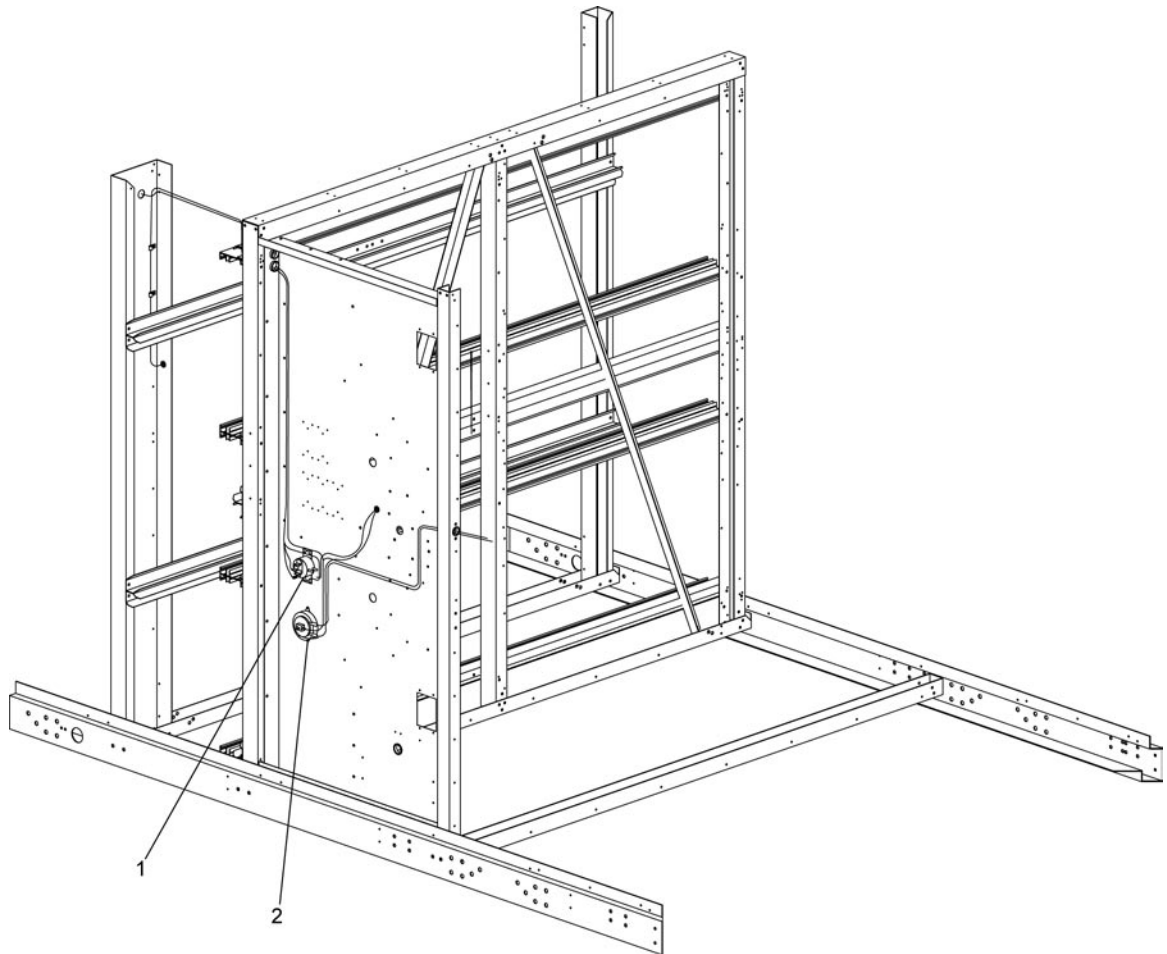
STEAM COIL ASSEMBLY

**FIG. 77 - HOT WATER AND STEAM HEAT FREEZESTAT**



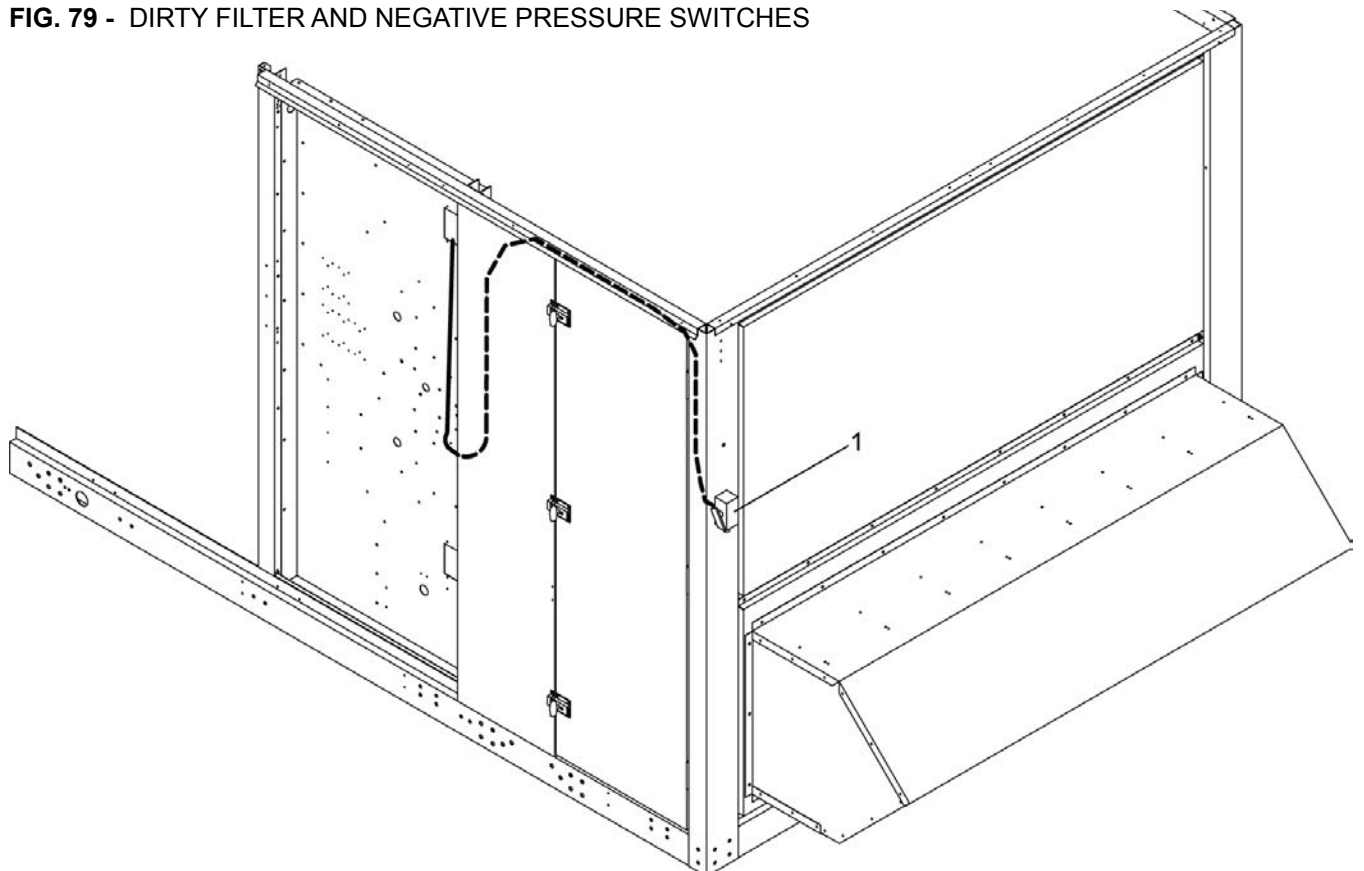
LD11899

**FIG. 78 - AIR PROVING SWITCH AND SUPPLY AIR TEMPERATURE SENSOR**

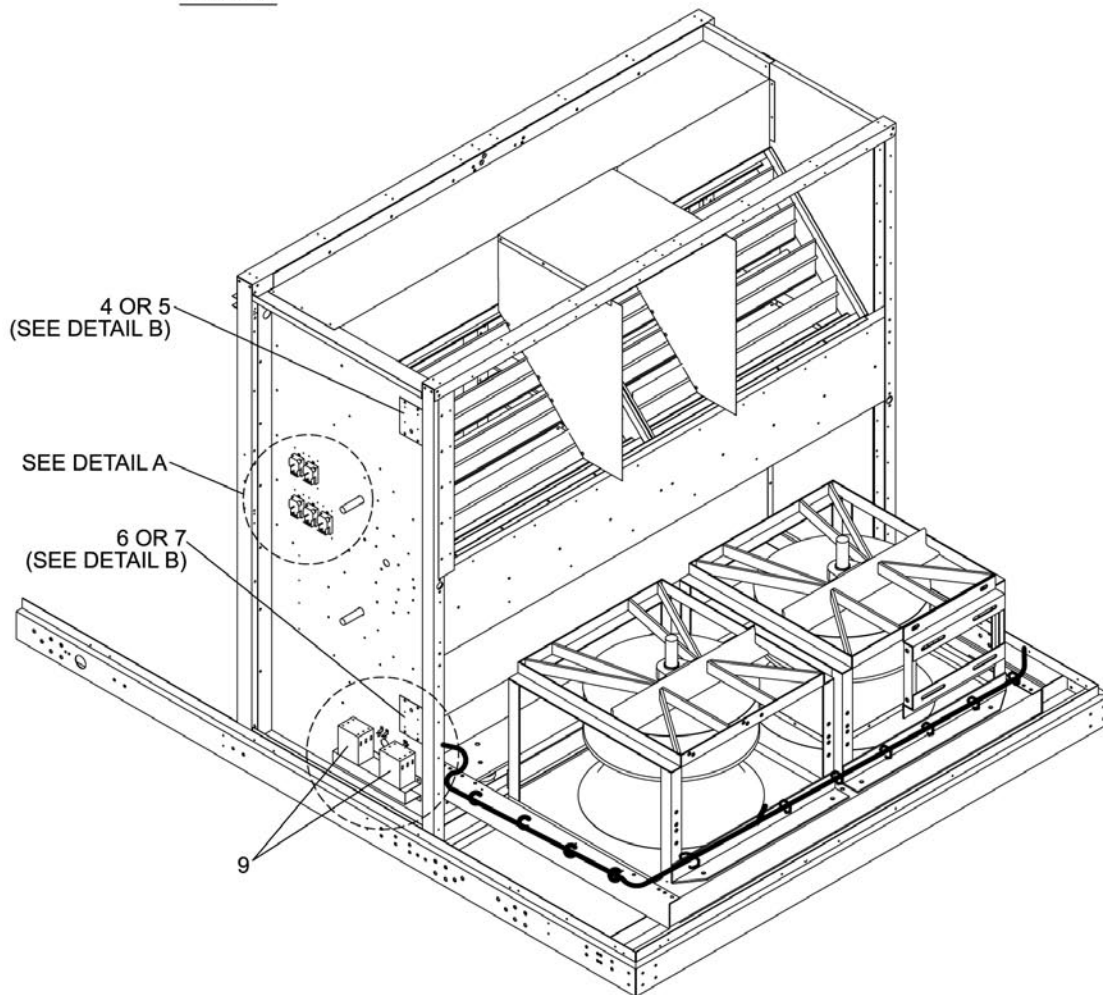
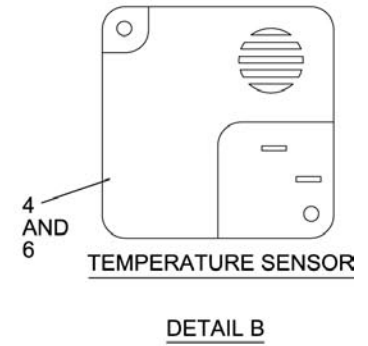
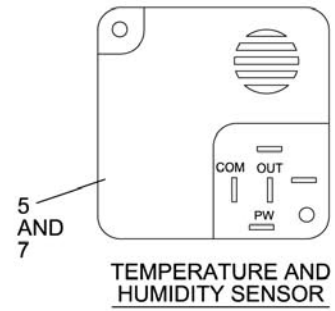
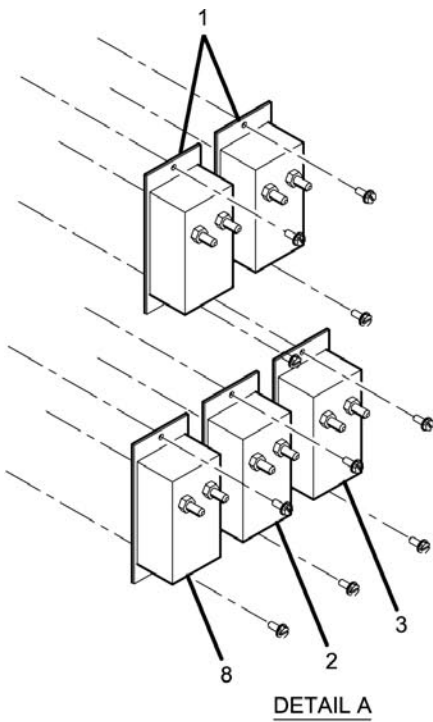


LD11903

**FIG. 79 - DIRTY FILTER AND NEGATIVE PRESSURE SWITCHES**



**FIG. 80 - OUTSIDE AIR TEMPERATURE SENSOR (EXTERNAL)**

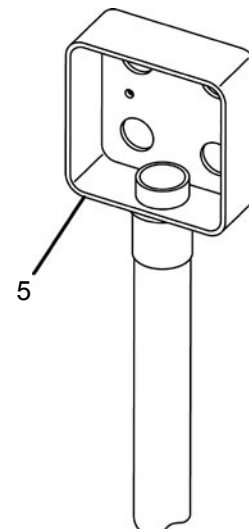
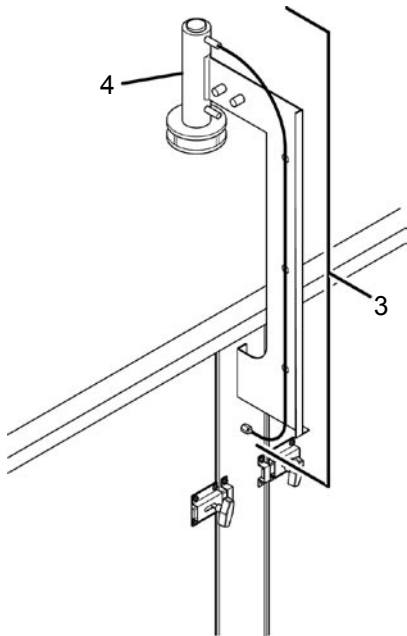
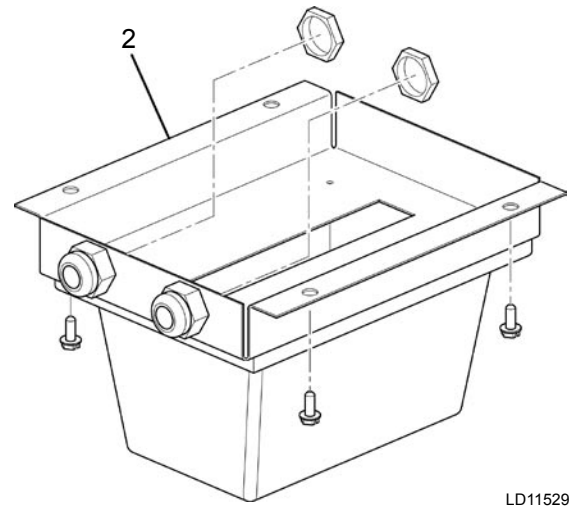
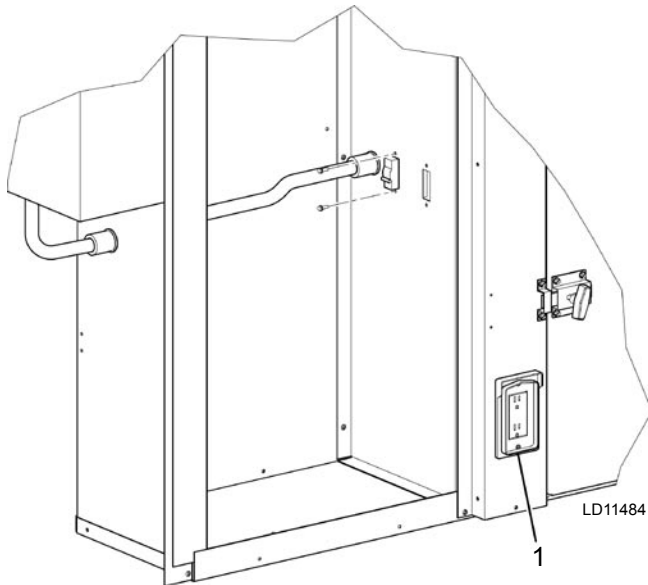


LD11904

**FIG. 81 - ECONOMIZER SECTION TRANSDUCERS AND SENSORS**

**TABLE 80 - MISCELLANEOUS**

FIGURE	ITEM	DESCRIPTION	PART NUMBER
82	1	CONVENIENCE OUTLET KIT, 200V	325-36142-011
82	1	CONVENIENCE OUTLET KIT, 230V	325-36142-012
82	1	CONVENIENCE OUTLET KIT, 460V	325-36142-014
82	1	CONVENIENCE OUTLET KIT, 575V	325-36142-015
82	2	INTERNAL LIGHT KIT, 200/230/460/575	TBD
82	3	OUTDOOR STATIC PRESSURE KIT	385-00514-202
82	4	PRESSURE PROBE, OUTDOOR STATIC	025-36186-000
82	5	BOX, JUNCTION, WATERTIGHT, 4X4	025-40191-000



**FIG. 82 - MISCELLANEOUS KITS**



**A JOHNSON CONTROLS COMPANY**

P.O. Box 1592, York, Pennsylvania USA 17405-1592  
Copyright © by JOHNSON CONTROLS, INC. 2006  
Form 100.50-RP7 (306)  
Supersedes: NOTHING

Tele. 800-861-1001  
[www.york.com](http://www.york.com)

Subject to change without notice. Printed in USA  
ALL RIGHTS RESERVED