



A JOHNSON CONTROLS COMPANY

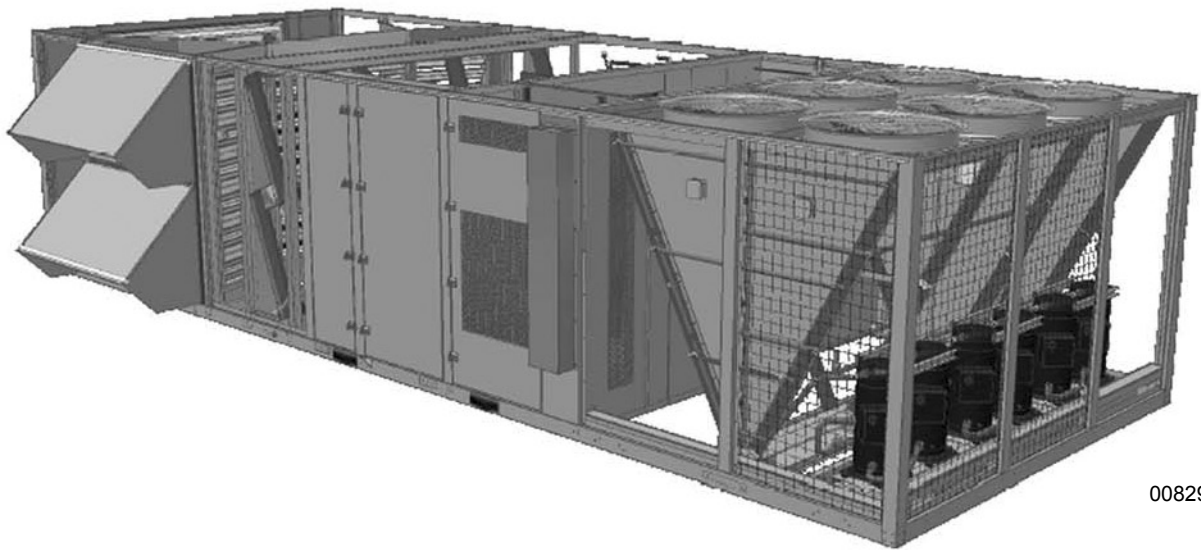
RENEWAL PARTS

## YPAL CONTROL PANELS

New Release

Form 100.50-RP5 (106)

### UNIT COMPONENTS YPAL CONTROL PANELS “Mod-E”



00829vip

**106 - 130 TONS  
R-22**

## TABLE OF CONTENTS

<b>SECTION 1 - FAN SUB PANELS .....</b>	<b>3</b>
<b>CONSTANT VOLUME (CV) SUPPLY FAN .....</b>	<b>3</b>
<b>CONSTANT VOLUME (CV) EXHAUST FAN .....</b>	<b>8</b>
<b>VARIABLE AIR VOLUME (VAV) SUPPLY FAN .....</b>	<b>13</b>
<b>VARIABLE AIR VOLUME (VAV) EXHAUST FAN .....</b>	<b>15</b>
<b>RETURN FANS .....</b>	<b>17</b>
<b>SECTION 2 - POWER PANEL - BACK PANELS .....</b>	<b>20</b>
<b>CONDENSER CONTROL PANELS .....</b>	<b>20</b>
<b>MICRO PANEL &amp; KEYPAD BACK PANEL.....</b>	<b>24</b>
<b>TRANSFORMER BACK PANELS .....</b>	<b>26</b>
<b>CONTROLS OPTIONS/KITS .....</b>	<b>28</b>
<b>CONVENIENCE OUTLET KITS .....</b>	<b>28</b>
<b>TERMINAL BLOCK KITS .....</b>	<b>29</b>
<b>NON FUSED DISCONNECT SWITCH KITS.....</b>	<b>30</b>
<b>TRANSDUCER AND DIRTY FILTER SWITCH.....</b>	<b>31</b>
<b>BACNET ROUTER.....</b>	<b>32</b>

## CHANGEABILITY OF THIS DOCUMENT

In complying with YORK's policy for continuous product improvement, the information contained in this document is subject to change without notice. While YORK makes no commitment to update or provide current information automatically to the manual owner, that information, if applicable, can be obtained by contacting the nearest YORK Service office.

It is the responsibility of operating/service personnel to verify the applicability of these documents to the equipment in question. If there is any question in the mind of operating/service personnel as to the applicability of these documents, then prior to working on the equipment, they should verify with the owner whether the equipment has been modified and if current literature is available.

## NOMENCLATURE

### BASE MODEL NUMBER

<u>1</u> <u>2</u> <u>3</u> <u>4</u>	<u>5</u> <u>6</u> <u>7</u>	<u>8</u> <u>9</u>	<u>10</u>	<u>11</u> <u>12</u>	<u>13</u> <u>14</u>	<u>15</u> <u>16</u>
BASE PRODUCT TYPE	NOMINAL CAPACITY	APPLICATION	REFRIGERANT	VOLTAGE	DUCT LOCATIONS	DESIGN SPECIAL
L : Scroll A : Air-Cooled P : Packaged Rooftop Y : YORK	1 0 6 : 106-ton 1 1 0 : 110-ton 1 1 5 : 115-ton 1 3 0 : 130-ton	C : Constant Volume V : VAV, VFD F : FlexSys C : Cooling Only N : Natural Gas Heat G : Natural Gas Heat SS HX M : Modulating Gas Heat E : Electric Heat S : Steam Heat H : Hot Water Heat	B : R-407C C : R-22	1 7 : 200 / 3 / 60 2 8 : 230 / 3 / 60 4 6 : 460 / 3 / 60 4 5 : 400 / 3 / 50 5 8 : 575 / 3 / 60 4 0 : 380 / 3 / 60	B : Bottom Return R : Rear Return S : Side Return B : Bottom Supply L : Left Supply R : Right Supply	X : Std. Product S : Special C : Rev. Level B

## SECTION 1 - FAN SUB PANELS

### CONSTANT VOLUME (CV) SUPPLY FAN

106 - 130 TON

200 VOLT UNIT, 10 TO 25 HP (SEE FIGURE 1)					
		SUPPLY FAN HP			
ITEM	DESCRIPTION	10	15	20	25
2	O/L RELAY	N/A	N/A	N/A	N/A
2A	MANUAL STARTER	024-31816-000	025-34488-000	024-34386-000	024-34385-000
2B	AUX. CONTACT	024-31814-000	024-31814-000	024-34384-000	024-34384-000
3A	CONTACTOR, 3P	024-34307-000	024-34309-000	024-34310-000	024-31110-000
3B	SURGE SUPPRESSOR	031-02101-000	031-02101-000	031-02101-000	031-02203-000
5A	GROUND LUG, CU	025-34455-000	025-34455-000	025-34455-000	025-34455-000

200 VOLT UNIT, 30 TO 75 HP (SEE FIGURE 1 FOR 30 HP, FIGURE 2 FOR 40 - 75 HP)					
		SUPPLY FAN HP			
ITEM	DESCRIPTION	30	40	50	60
2	O/L RELAY	N/A	024-34295-000	024-34297-000	024-34297-000
2A	MANUAL STARTER	024-34385-000	N/A	N/A	N/A
2B	AUX. CONTACT	024-34384-000	N/A	N/A	N/A
3A	CONTACTOR, 3P	024-31110-000	024-31891-000	024-31892-000	024-31892-000
3B	SURGE SUPPRESSOR	031-02203-000	031-02203-000	031-02203-000	031-02203-000
5A	GROUND LUG, CU	025-34455-000	025-34088-000	025-34089-000	025-34089-000
7A	FUSE BLOCK	N/A	025-39387-000	025-37607-000	025-37607-000
7B	FUSE	N/A	025-39390-000	025-37687-000	025-37687-000

230 VOLT UNIT, 10 TO 25 HP (SEE FIGURE 1)					
		SUPPLY FAN HP			
ITEM	DESCRIPTION	10	15	20	25
2A	MANUAL STARTER	024-31816-000	025-34488-000	025-34488-000	024-34386-000
2B	AUX. CONTACT	024-31814-000	024-31814-000	024-31814-000	024-34384-000
3A	CONTACTOR, 3P	024-34307-000	024-34309-000	024-34309-000	024-34310-000
3B	SURGE SUPPRESSOR	031-02101-000	031-02101-000	031-02101-000	031-02101-000
5A	GROUND LUG, CU	025-34455-000	025-34455-000	025-34455-000	025-34455-000

230 VOLT UNIT, 30 TO 75 HP (SEE FIGURE 1 FOR 30 HP, FIGURE 2 FOR 40 - 75 HP)					
		SUPPLY FAN HP			
ITEM	DESCRIPTION	30	40	50	60
2	O/L RELAY	N/A	024-34295-000	024-34295-000	024-34297-000
2A	MANUAL STARTER	024-34385-000	N/A	N/A	N/A
2B	AUX. CONTACT	024-34384-000	N/A	N/A	N/A
3A	CONTACTOR, 3P	024-31110-000	024-31891-000	024-31891-000	024-31892-000
3B	SURGE SUPPRESSOR	031-02203-000	031-02203-000	031-02203-000	031-02203-000
5A	GROUND LUG, CU	025-34455-000	025-34088-000	025-34088-000	025-34089-000
7A	FUSE BLOCK	N/A	025-39387-000	025-39387-000	025-37607-000
7B	FUSE	N/A	025-39390-000	025-39390-000	025-37687-000

**CONSTANT VOLUME (CV) SUPPLY FAN (CONTINUED)**

<b>400 VOLT UNIT, 10 TO 25 HP (SEE FIGURE 1)</b>					
		<b>SUPPLY FAN HP</b>			
<b>ITEM</b>	<b>DESCRIPTION</b>	<b>10</b>	<b>15</b>	<b>20</b>	<b>25</b>
<b>2A</b>	MANUAL STARTER	024-33180-000	024-33186-000	024-33186-000	025-34488-000
<b>2B</b>	AUX. CONTACT	024-33176-000	024-31814-000	024-31814-000	024-31814-000
<b>3A</b>	CONTACTOR, 3P	024-34304-000	024-34307-000	024-34307-000	024-34309-000
<b>3B</b>	SURGE SUPPRESSOR	031-02104-000	031-02101-000	031-02101-000	031-02101-000
<b>5A</b>	GROUND LUG, CU	025-34455-000	025-34455-000	025-34455-000	025-34455-000

<b>400 VOLT UNIT, 30 TO 75 HP (SEE FIGURE 1)</b>					
		<b>SUPPLY FAN HP</b>			
<b>ITEM</b>	<b>DESCRIPTION</b>	<b>30</b>	<b>40</b>	<b>50</b>	<b>60</b>
<b>2</b>	O/L RELAY	N/A	N/A	N/A	N/A
<b>2A</b>	MANUAL STARTER	025-34488-000	024-34386-000	024-34385-000	024-34385-000
<b>2B</b>	AUX. CONTACT	024-31814-000	024-34384-000	024-34384-000	024-34384-000
<b>3A</b>	CONTACTOR, 3P	024-34309-000	024-34310-000	024-31110-000	024-31110-000
<b>3B</b>	SURGE SUPPRESSOR	031-02101-000	031-02101-000	031-02203-000	031-02203-000
<b>5A</b>	GROUND LUG, CU	025-34455-000	025-34455-000	025-34455-000	025-34455-000

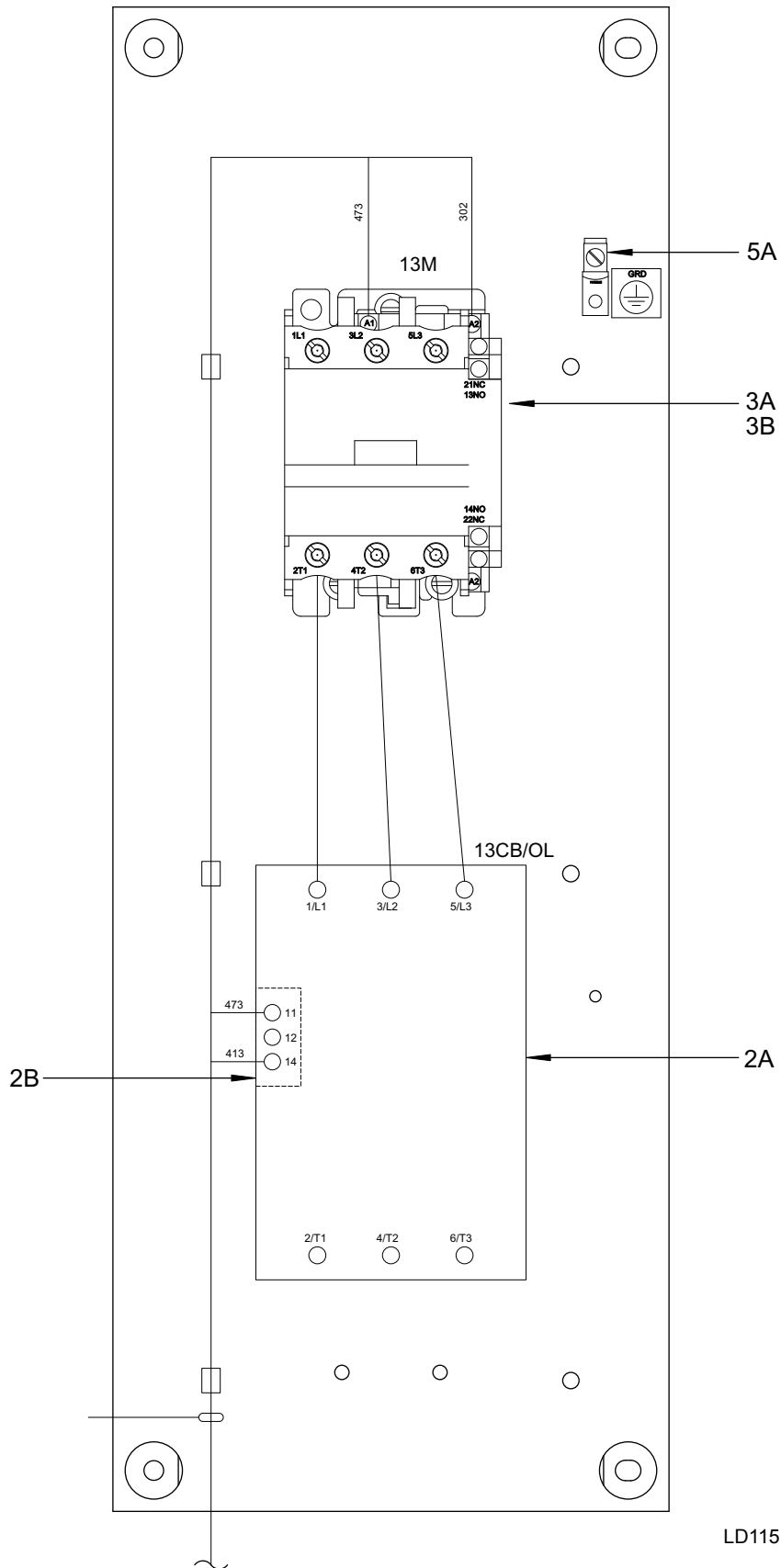
<b>460 VOLT UNIT, 10 TO 25 HP (SEE FIGURE 1)</b>					
		<b>SUPPLY FAN HP</b>			
<b>ITEM</b>	<b>DESCRIPTION</b>	<b>10</b>	<b>15</b>	<b>20</b>	<b>25</b>
<b>2A</b>	MANUAL STARTER	024-33180-000	024-33181-000	024-31816-000	024-31816-000
<b>2B</b>	AUX. CONTACT	024-33176-000	024-33176-000	024-31814-000	024-31814-000
<b>3A</b>	CONTACTOR, 3P	024-34304-000	024-34305-000	024-34307-000	024-34307-000
<b>3B</b>	SURGE SUPPRESSOR	031-02104-000	031-02104-000	031-02101-000	031-02101-000
<b>5A</b>	GROUND LUG, CU	025-34455-000	025-34455-000	025-34455-000	025-34455-000

<b>460 VOLT UNIT, 30 TO 75 HP (SEE FIGURE 1)</b>						
		<b>SUPPLY FAN HP</b>				
<b>ITEM</b>	<b>DESCRIPTION</b>	<b>30</b>	<b>40</b>	<b>50</b>	<b>60</b>	<b>75</b>
<b>2</b>	O/L RELAY	N/A	N/A	N/A	N/A	N/A
<b>2A</b>	MANUAL STARTER	025-34488-000	025-34488-000	024-34386-000	024-34385-000	024-34385-000
<b>2B</b>	AUX. CONTACT	024-31814-000	024-31814-000	024-34384-000	024-34384-000	024-34384-000
<b>3A</b>	CONTACTOR, 3P	024-34309-000	024-34309-000	024-34310-000	024-31110-000	024-31110-000
<b>3B</b>	SURGE SUPPRESSOR	031-02101-000	031-02101-000	031-02101-000	031-02203-000	031-02203-000
<b>5A</b>	GROUND LUG, CU	025-34455-000	025-34455-000	025-34455-000	025-34455-000	025-34455-000

**CONSTANT VOLUME (CV) SUPPLY FAN (CONTINUED)**

<b>575 VOLT UNIT, 10 TO 25 HP (SEE FIGURE 1)</b>					
		<b>SUPPLY FAN HP</b>			
<b>ITEM</b>	<b>DESCRIPTION</b>	<b>10</b>	<b>15</b>	<b>20</b>	<b>25</b>
<b>2A</b>	MANUAL STARTER	024-33179-000	024-33181-000	024-31816-000	024-31816-000
<b>2B</b>	AUX. CONTACT	024-33176-000	024-33176-000	024-31814-000	024-31814-000
<b>3A</b>	CONTACTOR, 3P	024-34304-000	024-34305-000	024-34307-000	024-34307-000
<b>3B</b>	SURGE SUPPRESSOR	031-02104-000	031-02104-000	031-02101-000	031-02101-000
<b>5A</b>	GROUND LUG, CU	025-34455-000	025-34455-000	025-34455-000	025-34455-000

<b>575 VOLT UNIT, 30 TO 75 HP (SEE FIGURE 1)</b>					
		<b>SUPPLY FAN HP</b>			
<b>ITEM</b>	<b>DESCRIPTION</b>	<b>30</b>	<b>40</b>	<b>50</b>	<b>60</b>
<b>2A</b>	MANUAL STARTER	024-31816-000	025-34488-000	025-34488-000	024-34386-000
<b>2B</b>	AUX. CONTACT	024-31814-000	024-31814-000	024-31814-000	024-34384-000
<b>3A</b>	CONTACTOR, 3P	024-34307-000	024-34309-000	024-34309-000	024-34310-000
<b>3B</b>	SURGE SUPPRESSOR	031-02101-000	031-02101-000	031-02101-000	031-02101-000
<b>5A</b>	GROUND LUG, CU	025-34455-000	025-34455-000	025-34455-000	025-34455-000



LD11519

FIG. 1 - CV SUPPLY FAN

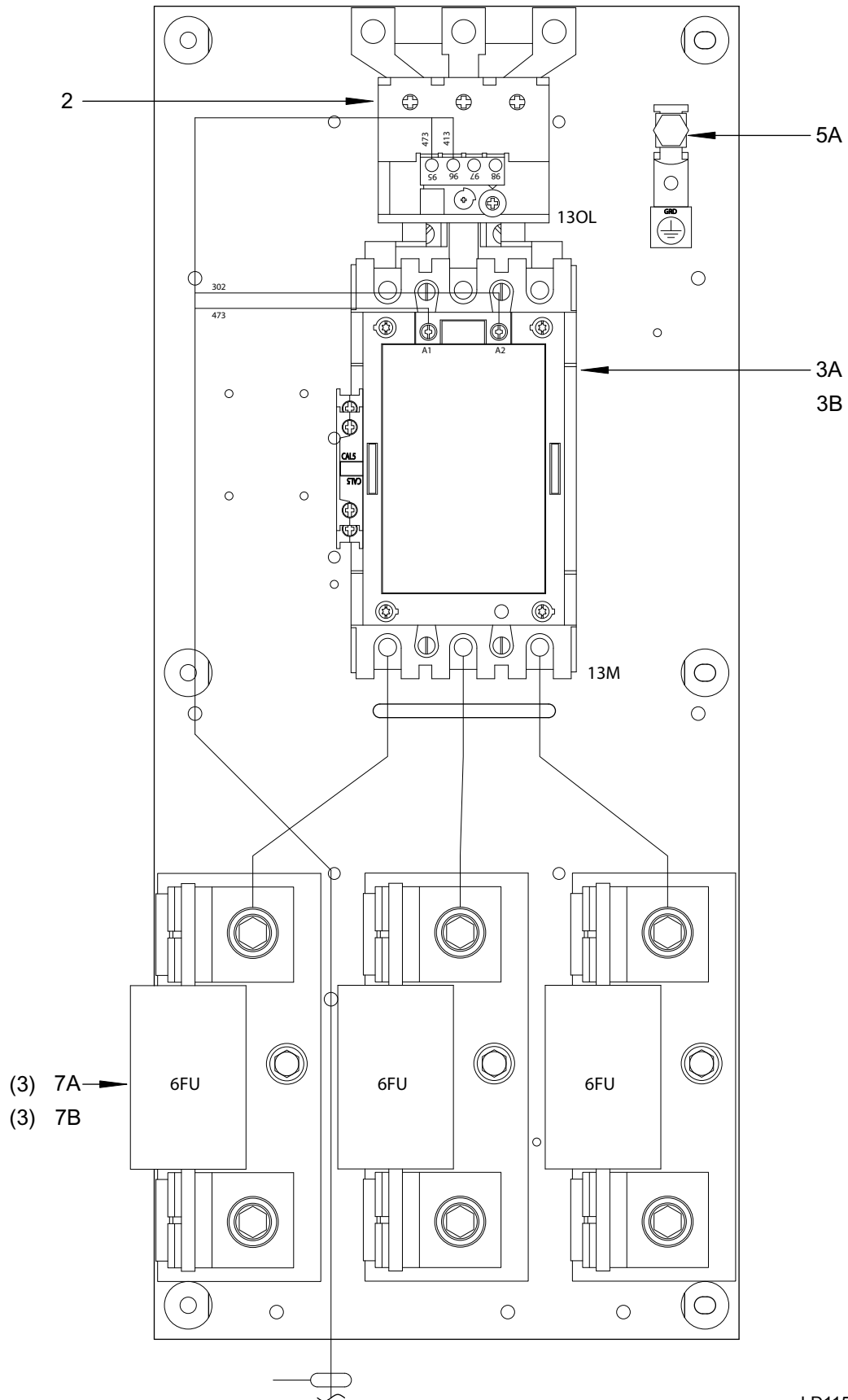


FIG. 2 - CV SUPPLY FAN

**CONSTANT VOLUME (CV) EXHAUST FAN**

106 - 130 TON

200 VOLT UNIT, 7 TO 20 HP (SEE FIGURE 3)					
		EXHAUST FAN HP			
ITEM	DESCRIPTION	7	10	15	20
2A	MANUAL STARTER	024-33182-000	024-31816-000	025-34488-000	024-34386-000
2B	AUX. CONTACT	024-33176-000	024-31814-000	024-31814-000	024-34384-000
3A	CONTACTOR, 3P	024-34306-000	024-34307-000	024-34309-000	024-34310-000
3B	SURGE SUPPRESSOR	031-02104-000	031-02101-000	031-02101-000	031-02101-000
5A	GROUND LUG, CU	025-34455-000	025-34455-000	025-34455-000	025-34455-000

200 VOLT UNIT, 25 TO 40 HP (SEE FIGURE 3 FOR 25 & 30HP, FIGURE 4 FOR 40 HP)				
		EXHAUST FAN HP		
ITEM	DESCRIPTION	25	30	40
2	O/L RELAY	N/A	N/A	024-34295-000
2A	MANUAL STARTER	024-34385-000	024-34385-000	N/A
2B	AUX. CONTACT	024-34384-000	024-34384-000	N/A
3A	CONTACTOR, 3P	024-31110-000	024-31110-000	024-31891-000
3B	SURGE SUPPRESSOR	031-02203-000	031-02203-000	031-02203-000
5A	GROUND LUG, CU	025-34455-000	025-34455-000	025-34088-000
7A	FUSE BLOCK	N/A	N/A	025-39387-000
7B	FUSE	N/A	N/A	025-39390-000

230 VOLT UNIT, 7 TO 20 HP (SEE FIGURE 3)					
		EXHAUST FAN HP			
ITEM	DESCRIPTION	7	10	15	20
2A	MANUAL STARTER	024-33182-000	024-31816-000	025-34488-000	025-34488-000
2B	AUX. CONTACT	024-33176-000	024-31814-000	024-31814-000	024-31814-000
3A	CONTACTOR, 3P	024-34306-000	024-34307-000	024-34309-000	024-34309-000
3B	SURGE SUPPRESSOR	031-02104-000	031-02101-000	031-02101-000	031-02101-000
5A	GROUND LUG, CU	025-34455-000	025-34455-000	025-34455-000	025-34455-000

230 VOLT UNIT, 25 TO 40 HP (SEE FIGURE 3 FOR 25 & 30HP, FIGURE 4 FOR 40 HP)				
		EXHAUST FAN HP		
ITEM	DESCRIPTION	25	30	40
2	O/L RELAY	N/A	N/A	024-34295-000
2A	MANUAL STARTER	024-34386-000	024-34385-000	N/A
2B	AUX. CONTACT	024-34384-000	024-34384-000	N/A
3A	CONTACTOR, 3P	024-34310-000	024-31110-000	024-31891-000
3B	SURGE SUPPRESSOR	031-02101-000	031-02203-000	031-02203-000
5A	GROUND LUG, CU	025-34455-000	025-34455-000	025-34088-000
7A	FUSE BLOCK	N/A	N/A	025-39387-000
7B	FUSE	N/A	N/A	025-39390-000

**CONSTANT VOLUME (CV) EXHAUST FAN (CONTINUED)**

<b>460 VOLT UNIT, 7 TO 20 HP (SEE FIGURE 3)</b>					
		<b>EXHAUST FAN HP</b>			
<b>ITEM</b>	<b>DESCRIPTION</b>	<b>7</b>	<b>10</b>	<b>15</b>	<b>20</b>
<b>2A</b>	MANUAL STARTER	024-33179-000	024-33180-000	024-33181-000	024-31816-000
<b>2B</b>	AUX. CONTACT	024-33176-000	024-33176-000	024-33176-000	024-31814-000
<b>3A</b>	CONTACTOR, 3P	024-34304-000	024-34304-000	024-34305-000	024-34307-000
<b>3B</b>	SURGE SUPPRESSOR	031-02104-000	031-02104-000	031-02104-000	031-02101-000
<b>5A</b>	GROUND LUG, CU	025-34455-000	025-34455-000	025-34455-000	025-34455-000

<b>460 VOLT UNIT, 25 TO 40 HP (SEE FIGURE 3)</b>				
		<b>EXHAUST FAN HP</b>		
<b>ITEM</b>	<b>DESCRIPTION</b>	<b>25</b>	<b>30</b>	<b>40</b>
<b>2A</b>	MANUAL STARTER	024-31816-000	025-34488-000	025-34488-000
<b>2B</b>	AUX. CONTACT	024-31814-000	024-31814-000	024-31814-000
<b>3A</b>	CONTACTOR, 3P	024-34307-000	024-34309-000	024-34309-000
<b>3B</b>	SURGE SUPPRESSOR	031-02101-000	031-02101-000	031-02101-000
<b>5A</b>	GROUND LUG, CU	025-34455-000	025-34455-000	025-34455-000

<b>575 VOLT UNIT, 7 TO 20 HP (SEE FIGURE 3)</b>					
		<b>EXHAUST FAN HP</b>			
<b>ITEM</b>	<b>DESCRIPTION</b>	<b>7</b>	<b>10</b>	<b>15</b>	<b>20</b>
<b>2A</b>	MANUAL STARTER	024-33179-000	024-33179-000	024-33181-000	024-31816-000
<b>2B</b>	AUX. CONTACT	024-33176-000	024-33176-000	024-33176-000	024-31814-000
<b>3A</b>	CONTACTOR, 3P	024-34304-000	024-34304-000	024-34305-000	024-34307-000
<b>3B</b>	SURGE SUPPRESSOR	031-02104-000	031-02104-000	031-02104-000	031-02101-000
<b>5A</b>	GROUND LUG, CU	025-34455-000	025-34455-000	025-34455-000	025-34455-000

<b>575 VOLT UNIT, 25 TO 40 HP (SEE FIGURE 3)</b>				
		<b>EXHAUST FAN HP</b>		
<b>ITEM</b>	<b>DESCRIPTION</b>	<b>25</b>	<b>30</b>	<b>40</b>
<b>2A</b>	MANUAL STARTER	024-31816-000	024-31816-000	025-34488-000
<b>2B</b>	AUX. CONTACT	024-31814-000	024-31814-000	024-31814-000
<b>3A</b>	CONTACTOR, 3P	024-34307-000	024-34307-000	024-34309-000
<b>3B</b>	SURGE SUPPRESSOR	031-02101-000	031-02101-000	031-02101-000
<b>5A</b>	GROUND LUG, CU	025-34455-000	025-34455-000	025-34455-000

**CONSTANT VOLUME (CV) EXHAUST FAN (CONTINUED)**

<b>400 VOLT UNIT, 7 TO 20 HP (SEE FIGURE 3)</b>					
		<b>EXHAUST FAN HP</b>			
<b>ITEM</b>	<b>DESCRIPTION</b>	<b>7</b>	<b>10</b>	<b>15</b>	<b>20</b>
<b>2A</b>	MANUAL STARTER	024-33179-000	024-33180-000	024-31816-000	024-31816-000
<b>2B</b>	AUX. CONTACT	024-33176-000	024-33176-000	024-31814-000	024-31814-000
<b>3A</b>	CONTACTOR, 3P	024-34304-000	024-34304-000	024-34307-000	024-34307-000
<b>3B</b>	SURGE SUPPRESSOR	031-02104-000	031-02104-000	031-02101-000	031-02101-000
<b>5A</b>	GROUND LUG, CU	025-34455-000	025-34455-000	025-34455-000	025-34455-000

<b>400 VOLT UNIT, 25 TO 40 HP (SEE FIGURE 3)</b>				
		<b>EXHAUST FAN HP</b>		
<b>ITEM</b>	<b>DESCRIPTION</b>	<b>25</b>	<b>30</b>	<b>40</b>
<b>2A</b>	MANUAL STARTER	025-34488-000	025-34488-000	024-34386-000
<b>2B</b>	AUX. CONTACT	024-31814-000	024-31814-000	024-34384-000
<b>3A</b>	CONTACTOR, 3P	024-34309-000	024-34309-000	024-34310-000
<b>3B</b>	SURGE SUPPRESSOR	031-02101-000	031-02101-000	031-02101-000
<b>5A</b>	GROUND LUG, CU	025-34455-000	025-34455-000	025-34455-000

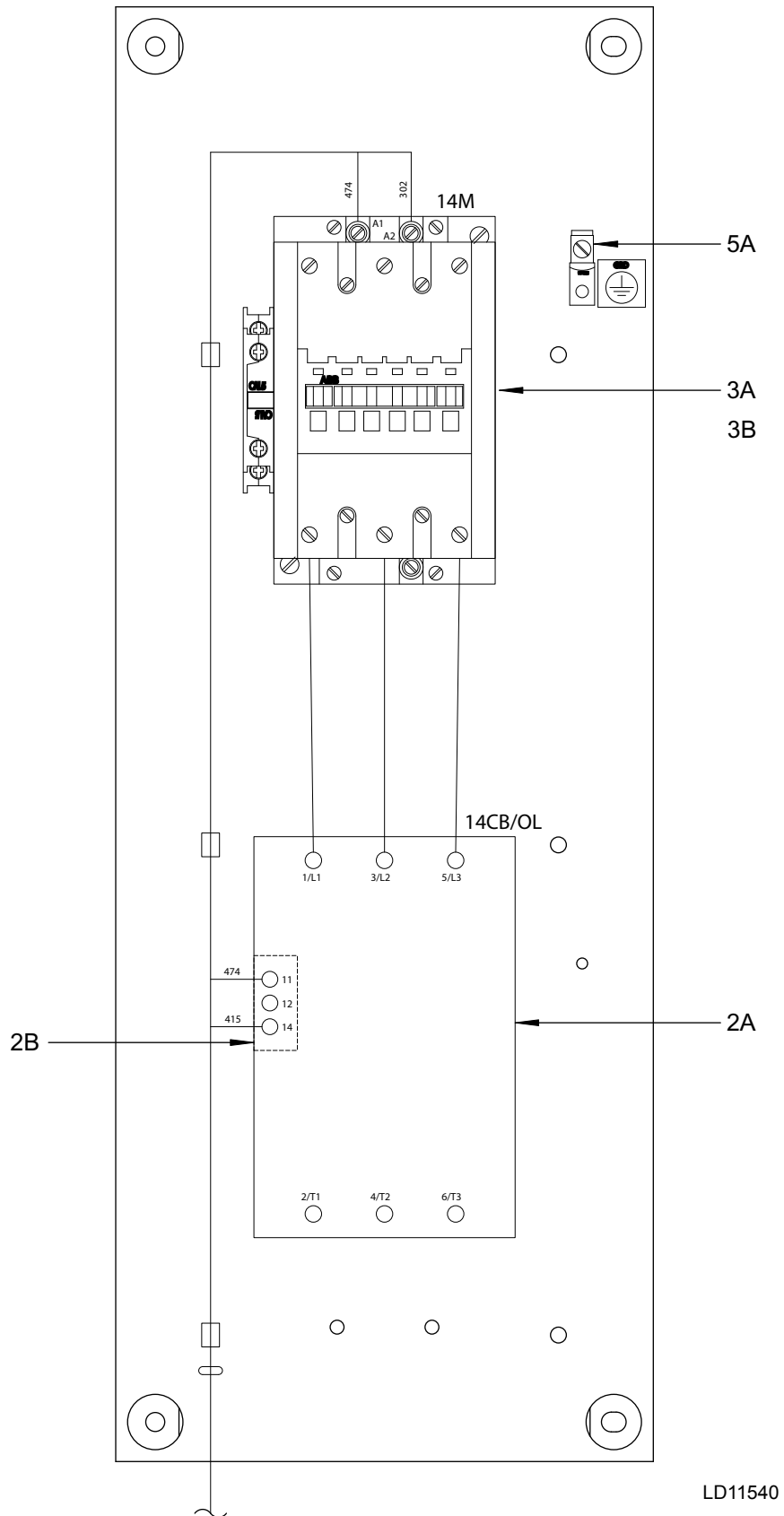
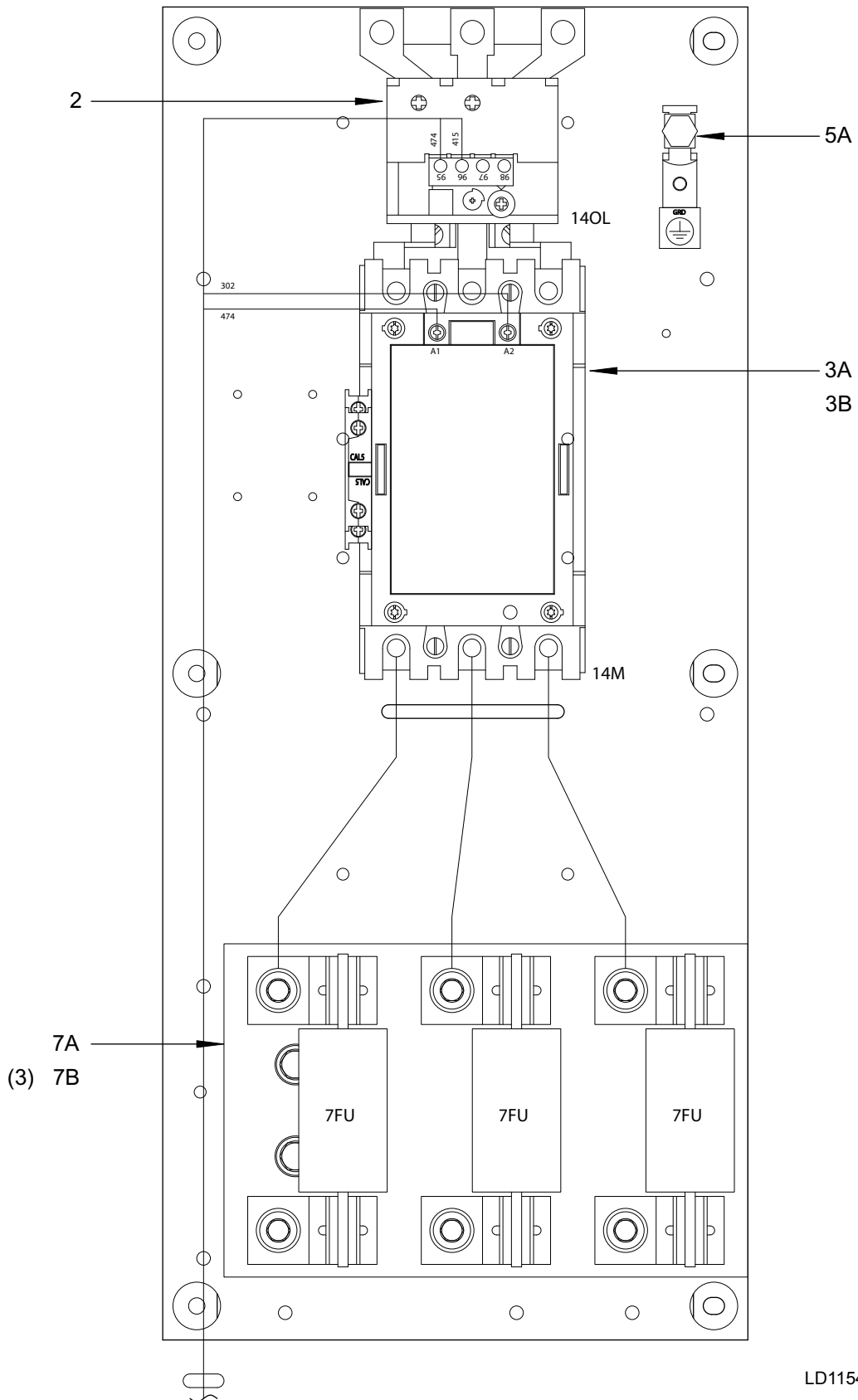


FIG. 3 - CV / EXHAUST FAN, 80A



LD11541

FIG. 4 - CV / EXHAUST FAN, 110A - 150A

**VARIABLE AIR VOLUME (VAV) SUPPLY FAN**

106 - 130 TON

200 VOLT UNIT, 10 TO 25 HP (SEE FIGURE 5)					
		SUPPLY FAN HP			
ITEM	DESCRIPTION	10	15	20	25
2	FUSEBLOCK	025-37608-000	025-37608-000	025-39388-000	025-39388-000
3	FUSE	025-36173-000	025-36176-000	025-36178-000	025-36179-000
6	GROUND LUG, CU	025-34455-000	025-34455-000	025-34455-000	025-34455-000

200 VOLT UNIT, 30 TO 75 HP (SEE FIGURE 5)						
		SUPPLY FAN HP				
ITEM	DESCRIPTION	30	40	50	60	75
2	FUSEBLOCK	025-39388-000	025-39387-000	025-39387-000	025-39387-000	025-37607-000
3	FUSE	025-36180-000	025-36182-000	025-36183-000	025-39390-000	025-37687-000
6	GROUND LUG, CU	025-34455-000	025-34088-000	025-34088-000	025-34089-000	025-34089-000

230 VOLT UNIT, 10 TO 25 HP (SEE FIGURE 5)					
		SUPPLY FAN HP			
ITEM	DESCRIPTION	10	15	20	25
2	FUSEBLOCK	025-37608-000	025-37608-000	025-39388-000	025-39388-000
3	FUSE	025-36173-000	025-36176-000	025-36178-000	025-36179-000
6	GROUND LUG, CU	025-34455-000	025-34455-000	025-34455-000	025-34455-000

230 VOLT UNIT, 30 TO 75 HP (SEE FIGURE 5)						
		SUPPLY FAN HP				
ITEM	DESCRIPTION	30	40	50	60	75
2	FUSEBLOCK	025-39388-000	025-39387-000	025-39387-000	025-39387-000	025-37607-000
3	FUSE	025-36180-000	025-39350-000	025-36182-000	025-39390-000	025-37687-000
6	GROUND LUG, CU	025-34455-000	025-34088-000	025-34088-000	025-34089-000	025-34089-000

460 VOLT UNIT, 10 TO 25 HP (SEE FIGURE 5)					
		SUPPLY FAN HP			
ITEM	DESCRIPTION	10	15	20	25
2	FUSEBLOCK	025-37635-000	025-37635-000	025-37635-000	025-37608-000
3	FUSE	025-36168-000	025-36169-000	025-36170-000	025-36173-000
6	GROUND LUG, CU	025-34455-000	025-34455-000	025-34455-000	025-34455-000

460 VOLT UNIT, 30 TO 75 HP (SEE FIGURE 5)						
		SUPPLY FAN HP				
ITEM	DESCRIPTION	30	40	50	60	75
2	FUSEBLOCK	025-37608-000	025-39388-000	025-39388-000	025-39388-000	025-39387-000
3	FUSE	025-36175-000	025-37683-000	025-36178-000	025-36179-000	025-39350-000
6	GROUND LUG, CU	025-34455-000	025-34455-000	025-34455-000	025-34455-000	025-34088-000

**VARIABLE AIR VOLUME (VAV) SUPPLY FAN (CONTINUED)**

<b>575 VOLT UNIT, 10 TO 25 HP (SEE FIGURE 5)</b>					
		<b>SUPPLY FAN HP</b>			
<b>ITEM</b>	<b>DESCRIPTION</b>	<b>10</b>	<b>15</b>	<b>20</b>	<b>25</b>
<b>2</b>	FUSEBLOCK	025-37635-000	025-37635-000	025-37635-000	025-37608-000
<b>3</b>	FUSE	025-36167-000	025-36168-000	025-36170-000	025-36173-000
<b>6</b>	GROUND LUG, CU	025-34455-000	025-34455-000	025-34455-000	025-34455-000

<b>575 VOLT UNIT, 30 TO 60 HP (SEE FIGURE 5)</b>					
		<b>SUPPLY FAN HP</b>			
<b>ITEM</b>	<b>DESCRIPTION</b>	<b>30</b>	<b>40</b>	<b>50</b>	<b>60</b>
<b>2</b>	FUSEBLOCK	025-37608-000	025-37608-000	025-37608-000	025-39388-000
<b>3</b>	FUSE	025-36173-000	025-36175-000	025-36176-000	025-36178-000
<b>6</b>	GROUND LUG, CU	025-34455-000	025-34455-000	025-34455-000	025-34455-000

<b>400 VOLT UNIT, 10 TO 25 HP (SEE FIGURE 5)</b>					
		<b>SUPPLY FAN HP</b>			
<b>ITEM</b>	<b>DESCRIPTION</b>	<b>10</b>	<b>15</b>	<b>20</b>	<b>25</b>
<b>2</b>	FUSEBLOCK	025-37635-000	025-37635-000	025-37608-000	025-37608-000
<b>3</b>	FUSE	025-36169-000	025-36170-000	025-36173-000	025-36175-000
<b>6</b>	GROUND LUG, CU	025-34455-000	025-34455-000	025-34455-000	025-34455-000

<b>400 VOLT UNIT, 30 TO 60 HP (SEE FIGURE 5)</b>					
		<b>SUPPLY FAN HP</b>			
<b>ITEM</b>	<b>DESCRIPTION</b>	<b>30</b>	<b>40</b>	<b>50</b>	<b>60</b>
<b>2</b>	FUSEBLOCK	025-37608-000	025-39388-000	025-39388-000	025-39387-000
<b>3</b>	FUSE	025-36176-000	025-37683-000	025-36179-000	025-39350-000
<b>6</b>	GROUND LUG, CU	025-34455-000	025-34455-000	025-34455-000	025-34088-000

**VARIABLE AIR VOLUME (VAV) EXHAUST FAN**

106 - 130 TON

200 VOLT UNIT, 7 TO 15 HP (SEE FIGURE 5)				
		EXHAUST FAN HP		
ITEM	DESCRIPTION	7	10	15
2	FUSEBLOCK, 3P	025-37635-000	025-37608-000	025-37608-000
3	FUSE, CLASS J	025-36170-000	025-36173-000	025-36176-000
6	GROUND LUG, CU	025-34455-000	025-34455-000	025-34455-000

200 VOLT UNIT, 20 TO 40 HP (SEE FIGURE 5)					
		EXHAUST FAN HP			
ITEM	DESCRIPTION	20	25	30	40
2	FUSEBLOCK, 3P	025-39388-000	025-39388-000	025-39388-000	025-39387-000
3	FUSE, CLASS J	025-36178-000	025-36179-000	025-36180-000	025-36182-000
6	GROUND LUG, CU	025-34455-000	025-34455-000	025-34455-000	025-34088-000

230 VOLT UNIT, 7 TO 15 HP (SEE FIGURE 5)				
		EXHAUST FAN HP		
ITEM	DESCRIPTION	7	10	15
2	FUSEBLOCK, 3P	025-37635-000	025-37608-000	025-37608-000
3	FUSE, CLASS J	025-36170-000	025-36173-000	025-36176-000
6	GROUND LUG, CU	025-34455-000	025-34455-000	025-34455-000

230 VOLT UNIT, 20 TO 40 HP (SEE FIGURE 5)					
		EXHAUST FAN HP			
ITEM	DESCRIPTION	20	25	30	40
2	FUSEBLOCK, 3P	025-39388-000	025-39388-000	025-39388-000	025-39387-000
3	FUSE, CLASS J	025-36178-000	025-36179-000	025-36180-000	025-39350-000
6	GROUND LUG, CU	025-34455-000	025-34455-000	025-34455-000	025-34088-000

460 VOLT UNIT, 7 TO 15 HP (SEE FIGURE 5)				
		EXHAUST FAN HP		
ITEM	DESCRIPTION	7	10	15
2	FUSEBLOCK, 3P	025-37635-000	025-37635-000	025-37635-000
3	FUSE, CLASS J	025-36167-000	025-36168-000	025-36169-000
6	GROUND LUG, CU	025-34455-000	025-34455-000	025-34455-000

460 VOLT UNIT, 20 TO 40 HP (SEE FIGURE 5)					
		EXHAUST FAN HP			
ITEM	DESCRIPTION	20	25	30	40
2	FUSEBLOCK, 3P	025-37635-000	025-37608-000	025-37608-000	025-39388-000
3	FUSE, CLASS J	025-36170-000	025-36173-000	025-36175-000	025-37683-000
6	GROUND LUG, CU	025-34455-000	025-34455-000	025-34455-000	025-34455-000

**VARIABLE AIR VOLUME (VAV) EXHAUST FAN (CONTINUED)**

<b>575 VOLT UNIT, 7 TO 15 HP (SEE FIGURE 5)</b>				
		<b>EXHAUST FAN HP</b>		
<b>ITEM</b>	<b>DESCRIPTION</b>	<b>7</b>	<b>10</b>	<b>15</b>
<b>2</b>	FUSEBLOCK, 3P	025-37635-000	025-37635-000	025-37635-000
<b>3</b>	FUSE, CLASS J	025-36167-000	025-36167-000	025-36168-000
<b>6</b>	GROUND LUG, CU	025-34455-000	025-34455-000	025-34455-000

<b>575 VOLT UNIT, 20 TO 40 HP (SEE FIGURE 5)</b>					
		<b>EXHAUST FAN HP</b>			
<b>ITEM</b>	<b>DESCRIPTION</b>	<b>20</b>	<b>25</b>	<b>30</b>	<b>40</b>
<b>2</b>	FUSEBLOCK, 3P	025-37635-000	025-37608-000	025-37608-000	025-37608-000
<b>3</b>	FUSE, CLASS J	025-36170-000	025-36173-000	025-36173-000	025-36175-000
<b>6</b>	GROUND LUG, CU	025-34455-000	025-34455-000	025-34455-000	025-34455-000

<b>400 VOLT UNIT, 7 TO 15 HP (SEE FIGURE 5)</b>				
		<b>EXHAUST FAN HP</b>		
<b>ITEM</b>	<b>DESCRIPTION</b>	<b>7</b>	<b>10</b>	<b>15</b>
<b>2</b>	FUSEBLOCK, 3P	025-37635-000	025-37635-000	025-37635-000
<b>3</b>	FUSE, CLASS J	025-36167-000	025-36169-000	025-36170-000
<b>6</b>	GROUND LUG, CU	025-34455-000	025-34455-000	025-34455-000

<b>400 VOLT UNIT, 20 TO 40 HP (SEE FIGURE 5)</b>					
		<b>EXHAUST FAN HP</b>			
<b>ITEM</b>	<b>DESCRIPTION</b>	<b>20</b>	<b>25</b>	<b>30</b>	<b>40</b>
<b>2</b>	FUSEBLOCK, 3P	025-37608-000	025-37608-000	025-37608-000	025-39388-000
<b>3</b>	FUSE, CLASS J	025-36173-000	025-36175-000	025-36176-000	025-37683-000
<b>6</b>	GROUND LUG, CU	025-34455-000	025-34455-000	025-34455-000	025-34455-000

**RETURN FANS****106 - 130 TON**

<b>200 VOLT UNIT, 10 TO 25 HP (SEE FIGURE 5)</b>					
		<b>RETURN FAN HP</b>			
<b>ITEM</b>	<b>DESCRIPTION</b>	<b>10</b>	<b>15</b>	<b>20</b>	<b>25</b>
<b>2</b>	FUSEBLOCK, 3P	025-37608-000	025-37608-000	025-39388-000	025-39388-000
<b>3</b>	FUSE, CLASS J	025-36173-000	025-36176-000	025-36178-000	025-36179-000
<b>6</b>	GROUND LUG, CU	025-34455-000	025-34455-000	025-34455-000	025-34455-000

<b>200 VOLT UNIT, 30 TO 50 HP (SEE FIGURE 5)</b>				
		<b>RETURN FAN HP</b>		
<b>ITEM</b>	<b>DESCRIPTION</b>	<b>30</b>	<b>40</b>	<b>50</b>
<b>2</b>	FUSEBLOCK, 3P	025-39388-000	025-39387-000	025-39387-000
<b>3</b>	FUSE, CLASS J	025-36180-000	025-36182-000	025-36183-000
<b>6</b>	GROUND LUG, CU	025-34455-000	025-34088-000	025-34088-000

<b>230 VOLT UNIT, 10 TO 25 HP (SEE FIGURE 5)</b>					
		<b>RETURN FAN HP</b>			
<b>ITEM</b>	<b>DESCRIPTION</b>	<b>10</b>	<b>15</b>	<b>20</b>	<b>25</b>
<b>2</b>	FUSEBLOCK, 3P	025-37608-000	025-37608-000	025-39388-000	025-39388-000
<b>3</b>	FUSE, CLASS J	025-36173-000	025-36176-000	025-36178-000	025-36179-000
<b>6</b>	GROUND LUG, CU	025-34455-000	025-34455-000	025-34455-000	025-34455-000

<b>230 VOLT UNIT, 30 TO 50 HP (SEE FIGURE 5)</b>				
		<b>RETURN FAN HP</b>		
<b>ITEM</b>	<b>DESCRIPTION</b>	<b>30</b>	<b>40</b>	<b>50</b>
<b>2</b>	FUSEBLOCK, 3P	025-39388-000	025-39387-000	025-39387-000
<b>3</b>	FUSE, CLASS J	025-36180-000	025-39350-000	025-36182-000
<b>6</b>	GROUND LUG, CU	025-34455-000	025-34088-000	025-34088-000

<b>460 VOLT UNIT, 10 TO 25 HP (SEE FIGURE 5)</b>					
		<b>RETURN FAN HP</b>			
<b>ITEM</b>	<b>DESCRIPTION</b>	<b>10</b>	<b>15</b>	<b>20</b>	<b>25</b>
<b>2</b>	FUSEBLOCK, 3P	025-37635-000	025-37635-000	025-37635-000	025-37608-000
<b>3</b>	FUSE, CLASS J	025-36168-000	025-36169-000	025-36170-000	025-36173-000
<b>6</b>	GROUND LUG, CU	025-34455-000	025-34455-000	025-34455-000	025-34455-000

<b>460 VOLT UNIT, 30 TO 50 HP (SEE FIGURE 5)</b>				
		<b>RETURN FAN HP</b>		
<b>ITEM</b>	<b>DESCRIPTION</b>	<b>30</b>	<b>40</b>	<b>50</b>
<b>2</b>	FUSEBLOCK, 3P	025-37608-000	025-39388-000	025-39388-000
<b>3</b>	FUSE, CLASS J	025-36175-000	025-37683-000	025-36178-000
<b>6</b>	GROUND LUG, CU	025-34455-000	025-34455-000	025-34455-000

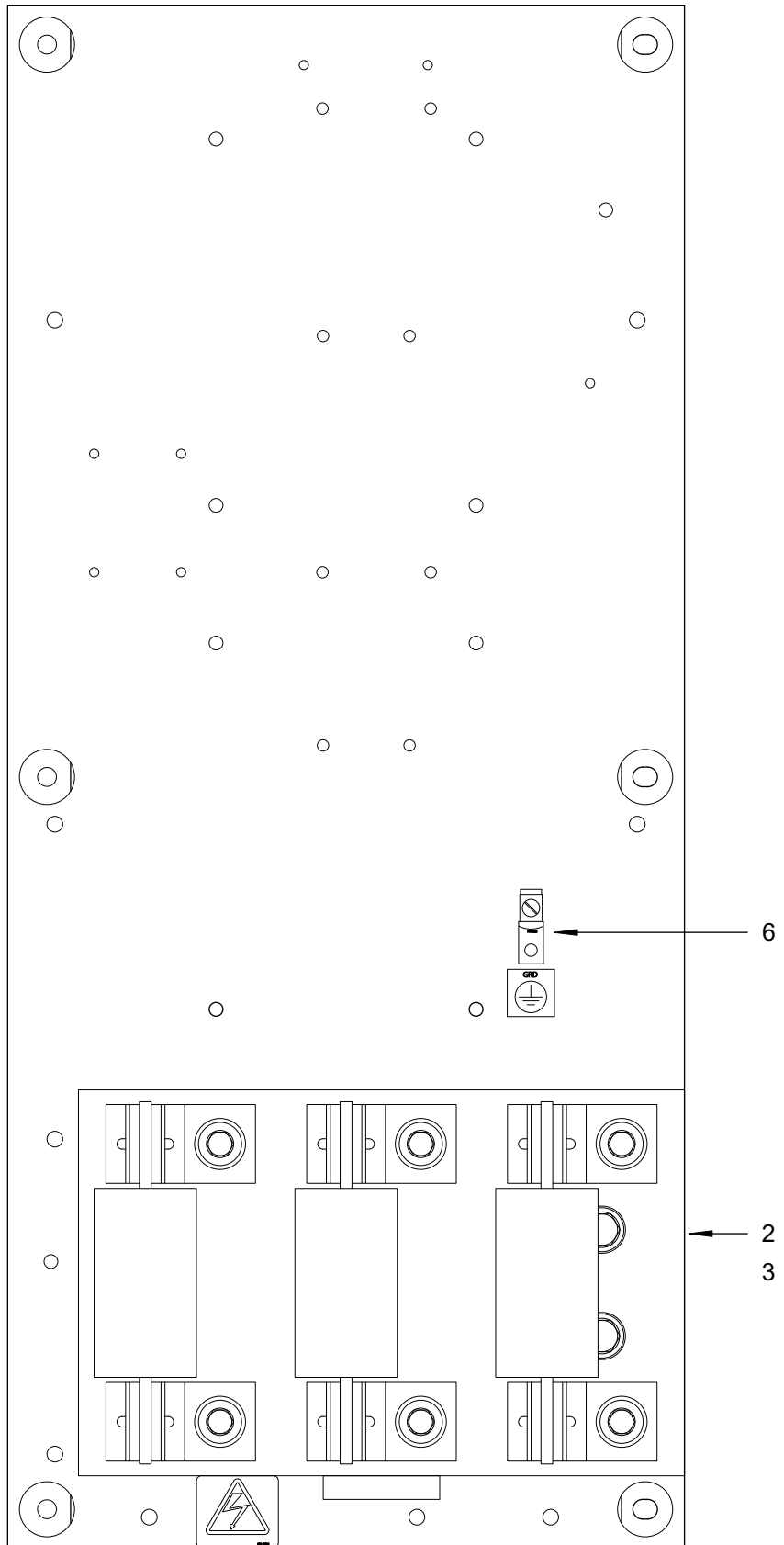
**RETURN FANS (CONTINUED)**

<b>575 VOLT UNIT, 10 TO 25 HP (SEE FIGURE 5)</b>					
		<b>RETURN FAN HP</b>			
<b>ITEM</b>	<b>DESCRIPTION</b>	<b>10</b>	<b>15</b>	<b>20</b>	<b>25</b>
<b>2</b>	FUSEBLOCK, 3P	025-37635-000	025-37635-000	025-37635-000	025-37608-000
<b>3</b>	FUSE, CLASS J	025-36167-000	025-36168-000	025-36170-000	025-36173-000
<b>6</b>	GROUNDLUG, CU	025-34455-000	025-34455-000	025-34455-000	025-34455-000

<b>575 VOLT UNIT, 30 TO 50 HP (SEE FIGURE 5)</b>				
		<b>RETURN FAN HP</b>		
<b>ITEM</b>	<b>DESCRIPTION</b>	<b>30</b>	<b>40</b>	<b>50</b>
<b>2</b>	FUSEBLOCK, 3P	025-37608-000	025-37608-000	025-37608-000
<b>3</b>	FUSE, CLASS J	025-36173-000	025-36175-000	025-36176-000
<b>6</b>	GROUNDLUG, CU	025-34455-000	025-34455-000	025-34455-000

<b>400 VOLT UNIT, 10 TO 25 HP (SEE FIGURE 5)</b>					
		<b>RETURN FAN HP</b>			
<b>ITEM</b>	<b>DESCRIPTION</b>	<b>10</b>	<b>15</b>	<b>20</b>	<b>25</b>
<b>2</b>	FUSEBLOCK, 3P	025-37635-000	025-37635-000	025-37608-000	025-37608-000
<b>3</b>	FUSE, CLASS J	025-36169-000	025-36170-000	025-36173-000	025-36175-000
<b>6</b>	GROUNDLUG, CU	025-34455-000	025-34455-000	025-34455-000	025-34455-000

<b>400 VOLT UNIT, 30 TO 50 HP (SEE FIGURE 5)</b>				
		<b>RETURN FAN HP</b>		
<b>ITEM</b>	<b>DESCRIPTION</b>	<b>30</b>	<b>40</b>	<b>50</b>
<b>2</b>	FUSEBLOCK, 3P	025-37608-000	025-39388-000	025-39388-000
<b>3</b>	FUSE, CLASS J	025-36176-000	025-37683-000	025-36179-000
<b>6</b>	GROUNDLUG, CU	025-34455-000	025-34455-000	025-34455-000



LD11542

FIG. 5 - VAV SUPPLY / EXHAUST FAN

**SECTION 2 - POWER PANEL - BACK PANELS**

**CONDENSER CONTROL PANELS**

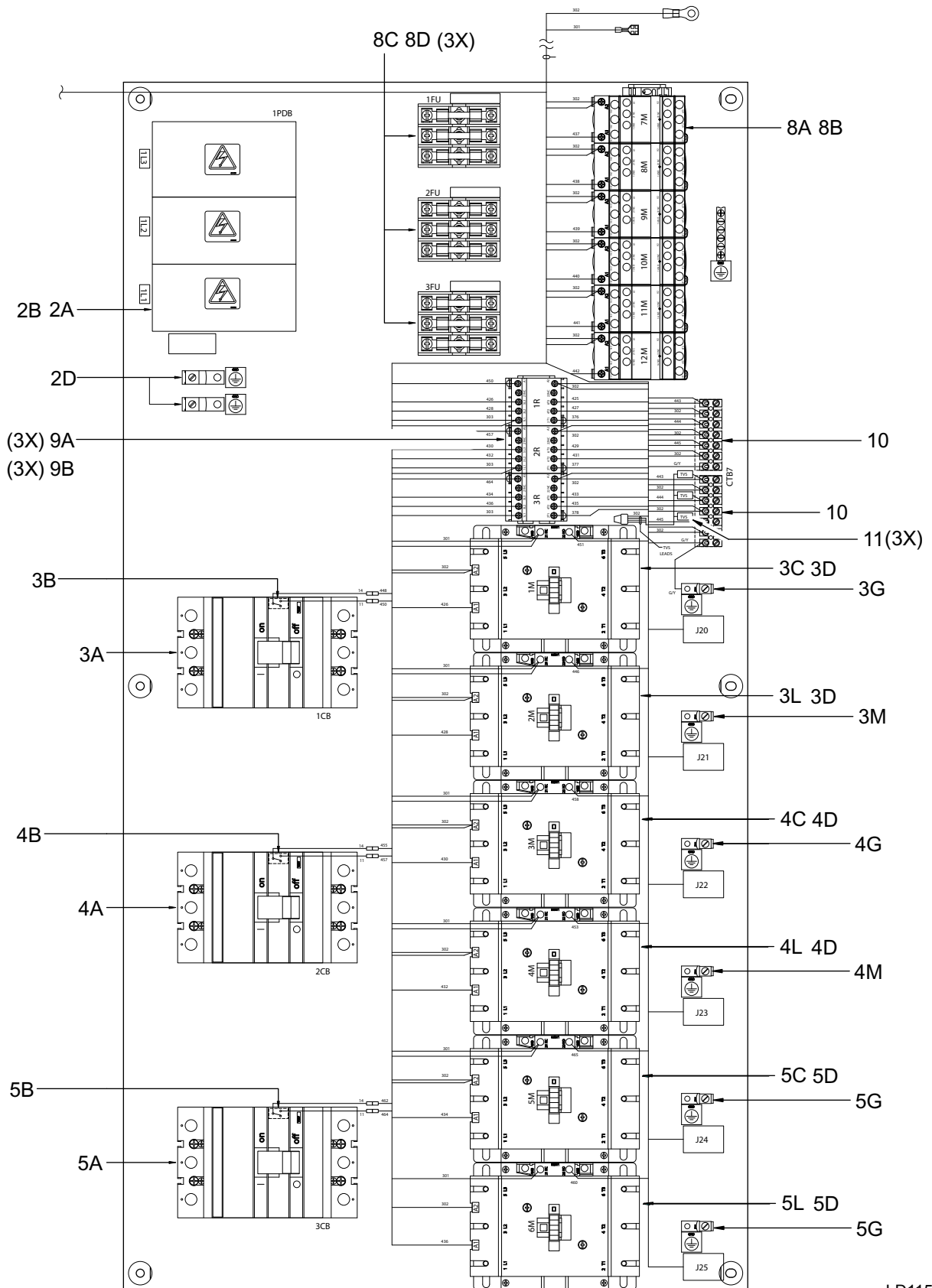
<b>CONDENSER CONTROL PANELS, 106 TON, 110 TON - SEE FIG. 6</b>							
<b>ITEM</b>	<b>QTY</b>	<b>DESCRIPTION</b>	<b>VOLTAGE</b>				
			<b>200V</b>	<b>230V</b>	<b>460V</b>	<b>575V</b>	<b>400V-50HZ</b>
<b>2A</b>	1	POWER DIST BLOCK	025-39391-000	025-39391-000	025-39395-000	025-39395-000	025-39395-000
<b>2B</b>	1	POWER DIST BLK COVER	025-39392-000	025-39392-000	025-38395-000	025-38395-000	025-38395-000
<b>2D</b>	1	GROUND LUG, CU	N/A	N/A	025-34088-000	025-34088-000	025-34088-000
<b>2D</b>	2	GROUND LUG, CU	025-34089-000	025-34089-000	N/A	N/A	N/A
<b>3A</b>	1	CIRCUIT BREAKER	024-31649-000	024-31649-000	024-34387-000	024-31839-000	024-34387-000
<b>3B</b>	1	SWITCH, AUX	024-31646-000	024-31646-000	024-34383-000	024-31646-000	024-34383-000
<b>3C</b>	1	CONTACTOR 3P	024-34310-000	024-34309-000	024-34306-000	024-34306-000	024-34306-000
<b>3D</b>	2	SURGE SUPPRESSOR	031-02101-000	031-02101-000	031-02104-000	031-02104-000	031-02104-000
<b>3G</b>	1	GROUND LUG, CU	025-34455-000	025-34455-000	025-34455-000	025-34455-000	025-34455-000
<b>3L</b>	1	CONTACTOR 3P	024-34310-000	024-34309-000	024-34306-000	024-34306-000	024-34306-000
<b>3M</b>	1	GROUND LUG, CU	025-34455-000	025-34455-000	025-34455-000	025-34455-000	025-34455-000
<b>4A</b>	1	CIRCUIT BREAKER	024-31649-000	024-31649-000	024-34387-000	024-31839-000	024-34387-000
<b>4B</b>	1	SWITCH, AUX	024-31646-000	024-31646-000	024-34383-000	024-31646-000	024-34383-000
<b>4C</b>	1	CONTACTOR 3P	024-34310-000	024-34309-000	024-34306-000	024-34306-000	024-34306-000
<b>4D</b>	2	SURGE SUPPRESSOR	031-02101-000	031-02101-000	031-02104-000	031-02104-000	031-02104-000
<b>4G</b>	1	GROUND LUG, CU	025-34455-000	025-34455-000	025-34455-000	025-34455-000	025-34455-000
<b>4L</b>	1	CONTACTOR 3P	024-34310-000	024-34309-000	024-34306-000	024-34306-000	024-34306-000
<b>4M</b>	1	GROUND LUG, CU	025-34455-000	025-34455-000	025-34455-000	025-34455-000	025-34455-000
<b>5A</b>	1	CIRCUIT BREAKER	024-31649-000	024-31649-000	024-34387-000	024-31839-000	024-34387-000
<b>5B</b>	1	SWITCH, AUX	024-31646-000	024-31646-000	024-34383-000	024-31646-000	024-34383-000
<b>5C</b>	1	CONTACTOR 3P	024-34310-000	024-34309-000	024-34306-000	024-34306-000	024-34306-000
<b>5D</b>	2	SURGE SUPPRESSOR	031-02101-000	031-02101-000	031-02104-000	031-02104-000	031-02104-000
<b>5G</b>	2	GROUND LUG, CU	025-34455-000	025-34455-000	025-34455-000	025-34455-000	025-34455-000
<b>5L</b>	1	CONTACTOR 3P	024-34310-000	024-34309-000	024-34306-000	024-34306-000	024-34306-000
<b>8A</b>	6	SURGE SUPPRESSOR	031-02104-000	031-02104-000	031-02104-000	031-02104-000	031-02104-000
<b>8B</b>	6	CONTACTOR 3P-9A	024-34302-000	024-34302-000	024-34302-000	024-34302-000	024-34302-000
<b>8C</b>	3	FUSEBLOCK, 3P, 30A	025-34185-000	025-34185-000	025-34185-000	025-34185-000	025-34185-000
<b>8D</b>	9	FUSE, 600VAC	025-34142-000	025-34142-000	025-38396-000	025-37613-000	025-38396-000
<b>9A</b>	3	SURGE SUPPRESSOR	031-02107-000	031-02107-000	031-02107-000	031-02107-000	031-02107-000
<b>9B</b>	3	RELAY, CONTROL	024-33177-000	024-33177-000	024-33177-000	024-33177-000	024-33177-000
<b>10</b>	2	TERM BLOK 7 POS	025-39396-000	025-39396-000	025-39396-000	025-39396-000	025-39396-000
<b>11</b>	3	SURGE SUPPRESSOR	031-00808-000	031-00808-000	031-00808-000	031-00808-000	031-00808-000

**CONDENSER CONTROL PANELS (CONTINUED)**

<b>CONDENSER CONTROL PANELS, 115 TON - SEE FIG. 6</b>							
<b>ITEM</b>	<b>QTY</b>	<b>DESCRIPTION</b>	<b>VOLTAGE</b>				
			<b>200V</b>	<b>230V</b>	<b>460V</b>	<b>575V</b>	<b>400V-50HZ</b>
<b>2A</b>	1	POWER DIST BLOCK	025-39391-000	025-39391-000	025-39395-000	025-39395-000	025-39395-000
<b>2B</b>	1	POWER DIST BLK COVER	N/A	N/A	025-38395-000	025-38395-000	025-38395-000
<b>2B</b>	3	POWER DIST BLK COVER	025-39392-000	025-39392-000	N/A	N/A	N/A
<b>2D</b>	1	GROUND LUG, CU	N/A	N/A	025-34088-000	025-34088-000	025-34088-000
<b>2D</b>	2	GROUND LUG, CU	025-34089-000	025-34089-000	N/A	N/A	N/A
<b>3A</b>	1	CIRCUIT BREAKER	024-31819-000	024-31851-000	024-34389-000	024-31839-000	024-34389-000
<b>3B</b>	1	SWITCH, AUX	024-31646-000	024-31646-000	024-34383-000	024-31646-000	024-34383-000
<b>3C</b>	1	CONTACTOR 3P	029-23472-000	029-23472-000	024-34306-000	024-34306-000	024-34306-000
<b>3D</b>	2	SURGE SUPPRESSOR	031-02101-000	031-02101-000	031-02104-000	031-02104-000	031-02104-000
<b>3G</b>	1	GROUND LUG, CU	025-34088-000	025-34088-000	025-34455-000	025-34455-000	025-34455-000
<b>3L</b>	1	CONTACTOR, 3P	024-34310-000	024-34309-000	024-34307-000	024-34306-000	024-34307-000
<b>3M</b>	1	GROUND LUG, CU	025-34455-000	025-34455-000	025-34455-000	025-34455-000	025-34455-000
<b>4A</b>	1	CIRCUIT BREAKER	024-31819-000	024-31851-000	024-34389-000	024-31839-000	024-34389-000
<b>4B</b>	1	SWITCH, AUX	024-31646-000	024-31646-000	024-34383-000	024-31646-000	024-34383-000
<b>4C</b>	1	CONTACTOR 3P	029-23472-000	029-23472-000	024-34306-000	024-34306-000	024-34306-000
<b>4D</b>	2	SURGE SUPPRESSOR	031-02101-000	031-02101-000	031-02104-000	031-02104-000	031-02104-000
<b>4G</b>	1	GROUND LUG, CU	025-34088-000	025-34088-000	025-34455-000	025-34455-000	025-34455-000
<b>4L</b>	1	CONTACTOR, 3P	024-34310-000	024-34309-000	024-34307-000	024-34306-000	024-34307-000
<b>4M</b>	1	GROUND LUG, CU	025-34455-000	025-34455-000	025-34455-000	025-34455-000	025-34455-000
<b>5A</b>	1	CIRCUIT BREAKER	024-31649-000	024-31649-000	024-34387-000	024-31839-000	024-34387-000
<b>5B</b>	1	SWITCH, AUX	024-31646-000	024-31646-000	024-34383-000	024-31646-000	024-34383-000
<b>5C</b>	1	CONTACTOR 3P	024-34310-000	024-34309-000	024-34306-000	024-34306-000	024-34306-000
<b>5D</b>	2	SURGE SUPPRESSOR	031-02101-000	031-02101-000	031-02104-000	031-02104-000	031-02104-000
<b>5G</b>	2	GROUND LUG, CU	025-34455-000	025-34455-000	025-34455-000	025-34455-000	025-34455-000
<b>5L</b>	1	CONTACTOR, 3P	024-34310-000	024-34309-000	024-34306-000	024-34306-000	024-34306-000
<b>8A</b>	6	SURGE SUPPRESSOR	031-02104-000	031-02104-000	031-02104-000	031-02104-000	031-02104-000
<b>8B</b>	6	CONTACTOR 3P-9A	024-34302-000	024-34302-000	024-34302-000	024-34302-000	024-34302-000
<b>8C</b>	3	FUSEBLOCK, 3P, 30A	025-34185-000	025-34185-000	025-34185-000	025-34185-000	025-34185-000
<b>8D</b>	9	FUSE, 600VAC	025-34142-000	025-34142-000	025-38396-000	025-37613-000	025-38396-000
<b>9A</b>	3	SURGE SUPPRESSOR	031-02107-000	031-02107-000	031-02107-000	031-02107-000	031-02107-000
<b>9B</b>	3	RELAY, CONTROL	024-33177-000	024-33177-000	024-33177-000	024-33177-000	024-33177-000
<b>10</b>	2	TERM BLOK 7 POS	025-39396-000	025-39396-000	025-39396-000	025-39396-000	025-39396-000
<b>11</b>	3	SURGE SUPPRESSOR	031-00808-000	031-00808-000	031-00808-000	031-00808-000	031-00808-000

## CONDENSER CONTROL PANELS (CONTINUED)

CONDENSER CONTROL PANELS, 130 TON - SEE FIG. 6							
ITEM	QTY	DESCRIPTION	VOLTAGE				
			200V	230V	460V	575V	400V-50HZ
2A	1	POWER DIST BLOCK	025-39391-000	025-39391-000	025-39395-000	025-39395-000	025-39395-000
2B	1	POWER DIST BLK COVER	N/A	N/A	025-38395-000	025-38395-000	025-38395-000
2B	3	POWER DIST BLK COVER	025-39392-000	025-39392-000	N/A	N/A	N/A
2D	1	GROUND LUG, CU	N/A	N/A	025-34088-000	025-34088-000	025-34088-000
2D	2	GROUND LUG, CU	025-34089-000	025-34089-000	N/A	N/A	N/A
3A	1	CIRCUIT BREAKER	024-31819-000	024-31819-000	024-34382-000	024-31841-000	024-34382-000
3B	1	SWITCH, AUX	024-31646-000	024-31646-000	024-34383-000	024-31646-000	024-34383-000
3C	1	CONTACTOR 3P	029-23472-000	029-23472-000	024-34307-000	024-34306-000	024-34307-000
3D	2	SURGE SUPPRESSOR	031-02101-000	031-02101-000	031-02101-000	031-02104-000	031-02101-000
3G	1	GROUND LUG, CU	025-34088-000	025-34088-000	025-34455-000	025-34455-000	025-34455-000
3L	1	CONTACTOR 3P	029-23472-000	029-23472-000	024-34307-000	024-34306-000	024-34307-000
3M	1	GROUND LUG, CU	025-34088-000	025-34088-000	025-34455-000	025-34455-000	025-34455-000
4A	1	CIRCUIT BREAKER	024-31819-000	024-31819-000	024-34382-000	024-31841-000	024-34382-000
4B	1	SWITCH, AUX	024-31646-000	024-31646-000	024-34383-000	024-31646-000	024-34383-000
4C	1	CONTACTOR 3P	029-23472-000	029-23472-000	024-34307-000	024-34306-000	024-34307-000
4D	2	SURGE SUPPRESSOR	031-02101-000	031-02101-000	031-02101-000	031-02104-000	031-02101-000
4G	1	GROUND LUG, CU	025-34088-000	025-34088-000	025-34455-000	025-34455-000	025-34455-000
4L	1	CONTACTOR 3P	029-23472-000	029-23472-000	024-34307-000	024-34306-000	024-34307-000
4M	1	GROUND LUG, CU	025-34088-000	025-34088-000	025-34455-000	025-34455-000	025-34455-000
5A	1	CIRCUIT BREAKER	024-31819-000	024-31819-000	024-34382-000	024-31841-000	024-34382-000
5B	1	SWITCH, AUX	024-31646-000	024-31646-000	024-34383-000	024-31646-000	024-34383-000
5C	1	CONTACTOR 3P	029-23472-000	029-23472-000	024-34307-000	024-34306-000	024-34307-000
5D	2	SURGE SUPPRESSOR	031-02101-000	031-02101-000	031-02101-000	031-02104-000	031-02101-000
5G	1	GROUND LUG, CU	025-34088-000	025-34088-000	025-34455-000	025-34455-000	025-34455-000
5L	1	CONTACTOR 3P	029-23472-000	029-23472-000	024-34307-000	024-34306-000	024-34307-000
5M	1	GROUND LUG, CU	025-34088-000	025-34088-000	025-34455-000	025-34455-000	025-34455-000
8A	6	SURGE SUPPRESSOR	031-02104-000	031-02104-000	031-02104-000	031-02104-000	031-02104-000
8B	6	CONTACTOR 3P-9A	024-34302-000	024-34302-000	024-34302-000	024-34302-000	024-34302-000
8C	3	FUSEBLOCK, 3P, 30A	025-34185-000	025-34185-000	025-34185-000	025-34185-000	025-34185-000
8D	9	FUSE, 600VAC	025-34142-000	025-34142-000	025-38396-000	025-37613-000	025-38396-000
9A	3	RELAY, CONTROL	024-31635-000	024-31635-000	024-31635-000	024-31635-000	024-31635-000
9A	3	SURGE SUPPRESSOR	031-02107-000	031-02107-000	031-02107-000	031-02107-000	031-02107-000
9B	3	RELAY, CONTROL	024-33177-000	024-33177-000	024-33177-000	024-33177-000	024-33177-000
10	2	TERM BLOCK 7 POS	025-39396-000	025-39396-000	025-39396-000	025-39396-000	025-39396-000
11	3	SURGE SUPPRESSOR	031-00808-000	031-00808-000	031-00808-000	031-00808-000	031-00808-000



LD11543

FIG. 6 - CONDENSER CONTROL PANEL

**MICRO PANEL & KEYPAD BACK PANEL****MICRO PANEL & KEYPAD BACK PANEL**

106 - 130 TON - SEE FIGURE 7

ITEM	DESCRIPTION	PART NO.
1	OVERLAY	024-35103-000
2	VFD KEYPAD	025-36267-000
3	GROUND BAR	025-35685-000
4	TRANSFORMER CL2	025-27911-000
6	POWER SUPPLY	025-34111-000
12	ECO2 YPAL PLUGIN	031-02497-001
13	YORK IPU BOARD	331-02496-000
32	DISPLAY, LCD	031-02508-000
36	CABLE, RIBBON, 16C	071-04381-000
37	SWITCH, KEYPAD	024-34930-000
38	CABLE, RIBBON, 15C	031-02509-002
40	SWITCH, CARLING	024-25517-000
CTB1	TERMINAL STRIP, 12-POLE	025-39812-000
CTB2	TERMINAL STRIP, 8-POLE	025-34543-000
CTB3	TERMINAL STRIP, 6-POLE	025-39416-000
CTB4	TERMINAL STRIP, 6-POLE	025-39416-000
CTB5	TERMINAL STRIP, 6-POLE	025-39416-000
CTB6	TERMINAL STRIP, 6-POLE	025-39416-000
----	FUSE, MICRO 5A	025-34592-000
----	FUSE, MICRO 0.5A	025-40429-000

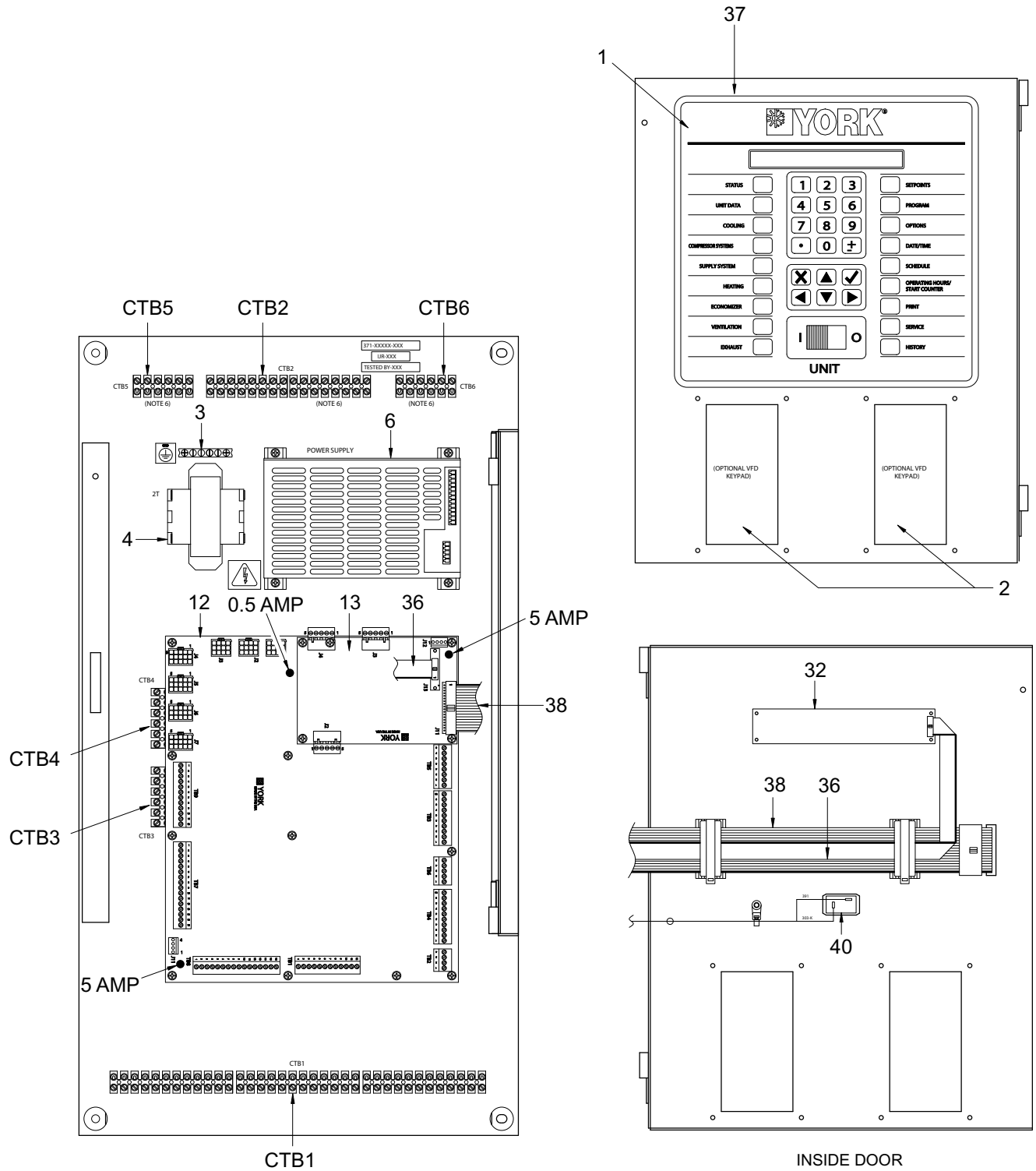
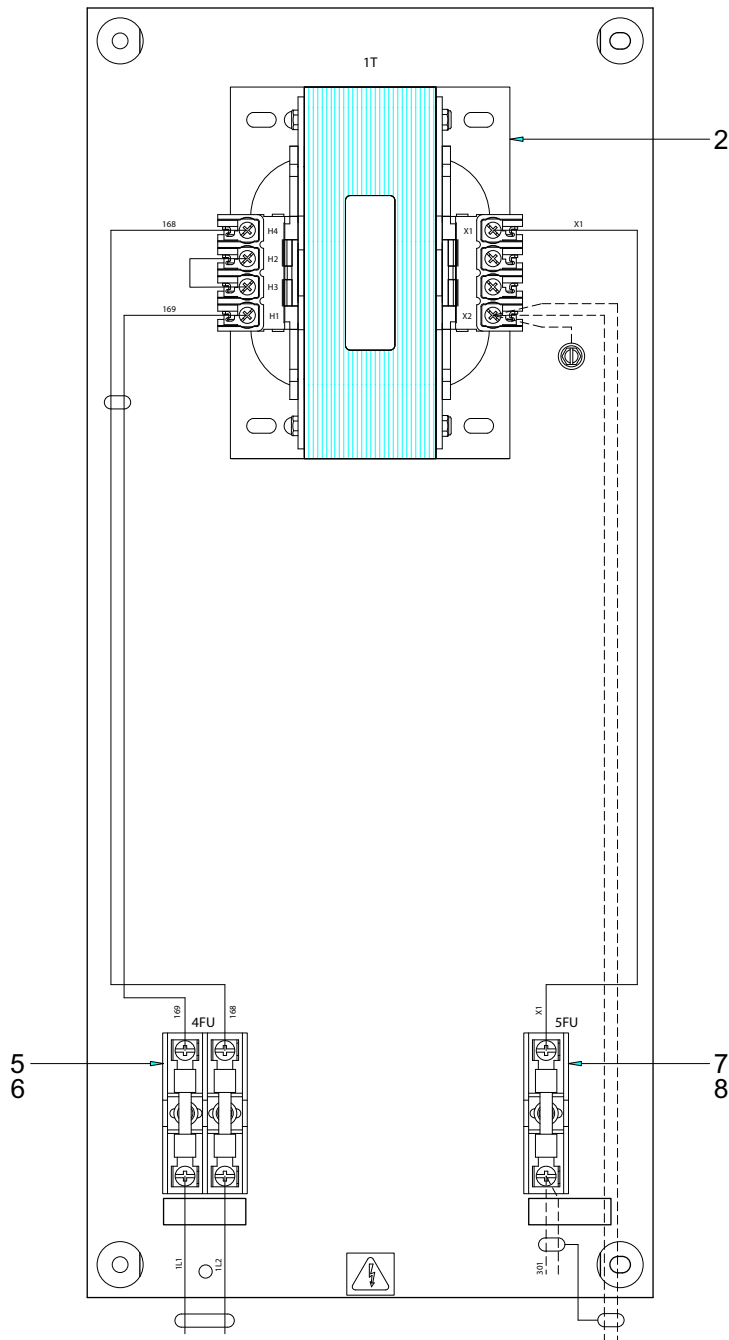


FIG. 7 - MICRO BACK PANEL & KEYPAD ASSEMBLY

LD11544

**TRANSFORMER BACK PANELS**

TRANSFORMER BACK PANEL (NON-GAS HEAT) 106 - 130 TON - SEE FIG. 8			VOLTAGE				
ITEM	QTY	DESCRIPTION	200V	230V	460V	575V	400V-50HZ
2	1	1500VA XFMR	025-39401-000	025-39399-000	025-39399-000	025-39402-000	025-39400-000
5	1	FUSEBLOCK, 2P, 30A	025-34427-000	025-34427-000	025-35667-000	025-34427-000	025-35667-000
6	2	FUSE	025-35608-000	025-35608-000	025-34431-000	025-35902-000	025-37653-000
7	1	FUSEBLOCK, 1P, 30A	025-37601-000	025-37601-000	025-37601-000	025-37601-000	025-37601-000
8	1	FUSE	025-39389-000	025-39389-000	025-39389-000	025-39389-000	025-39389-000



LD11545

FIG. 8 - TRANSFORMER BACK PANEL WITHOUT GAS HEAT

### TRANSFORMER BACK PANELS (CONTINUED)

TRANSFORMER BACK PANEL (GAS HEAT) 106 - 130 TON - SEE FIG. 9			VOLTAGE				
ITEM	QTY	DESCRIPTION	200V	230V	460V	575V	400V-50HZ
2	1	1500VA XFMR	025-39401-000	25-39399-000	025-39399-000	025-39402-000	025-39400-000
5	1	FUSEBLOCK, 2P, 30A	025-34427-000	025-34427-000	025-34427-000	025-34427-000	025-35667-000
5A	1	FUSEBLOCK, 2P, 30A	N/A	N/A	025-34427-000	025-34427-000	025-35667-000
6	2	FUSE	025-35608-000	025-35608-000	025-34431-000	025-35902-000	025-37653-000
6A	2	FUSE	N/A	N/A	025-34431-000	025-35902-000	025-37653-000
7	1	FUSEBLOCK, 1P, 30A	025-37601-000	025-37601-000	025-37601-000	025-37601-000	025-37601-000
8	1	FUSE	025-39389-000	025-39389-000	025-39389-000	025-39389-000	025-39389-000
15	1	1500VA XFMR	N/A	N/A	025-39404-000	025-39402-000	025-39400-000
17	1	FUSEBLOCK, 2P, 30A	025-34427-000	025-34427-000	025-35667-000	025-35667-000	025-35667-000
18	2	FUSE 600V CL-CC	025-34435-000	025-34430-000	025-39358-000	025-39358-000	025-39358-000

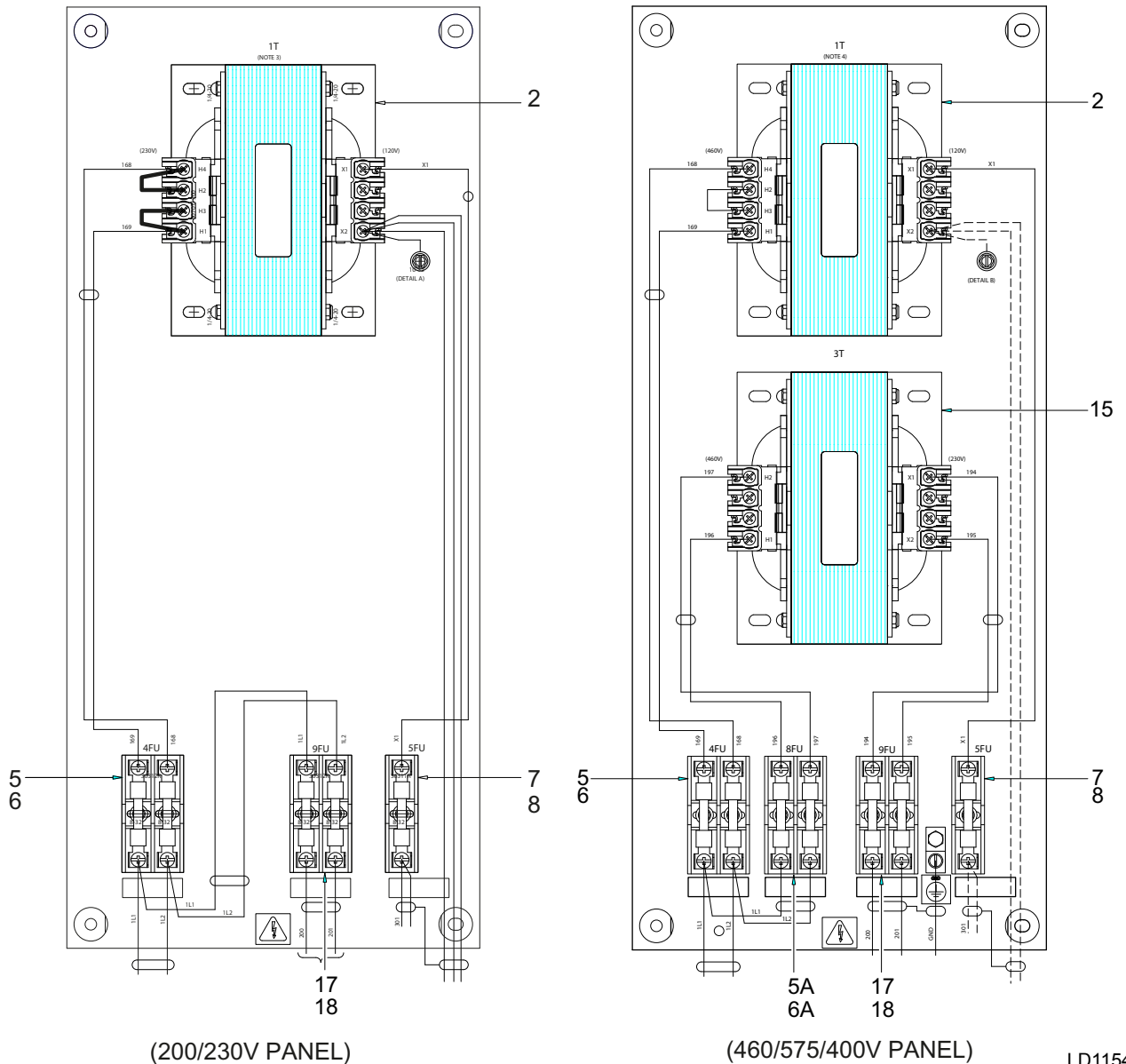
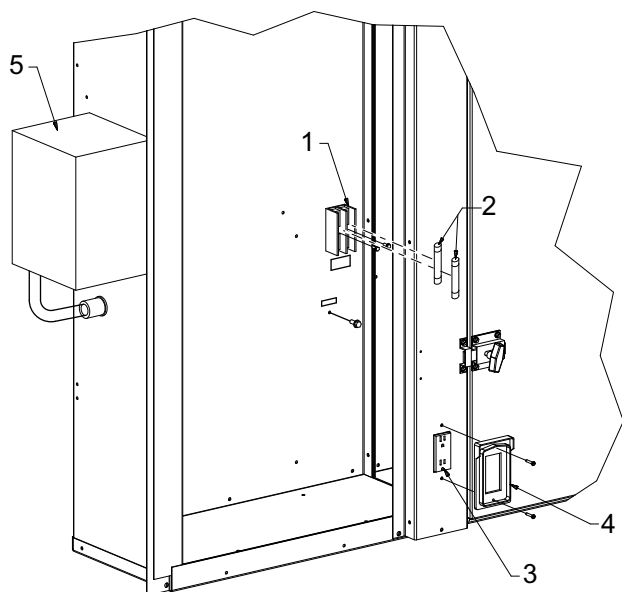


FIG. 9 - TRANSFORMER BACK PANEL WITH GAS HEAT

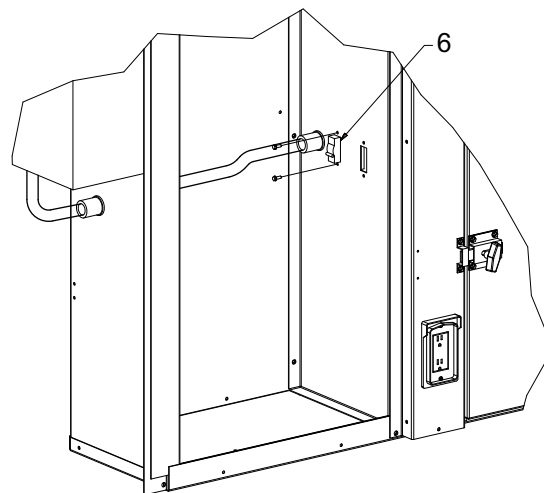
**SECTION 3 - CONTROLS OPTIONS/KITS**

**CONVENIENCE OUTLET KITS**

CONVENIENCE OUTLET KITS, 106 - 130 TON - SEE FIG 10						
ITEM	DESCRIPTION	QTY	200V	230V	460V	575V
1	FUSEBLOCK, 2P, 30A	1	025-34427-000	025-34427-000	025-34427-000	025-34427-000
2	FUSE 600A CL-CC	2	N/A	025-34428-000	N/A	N/A
2	FUSE 600V CL-CC	2	025-34433-000	N/A	025-34430-000	025-34431-000/0
3	GFI 20 AMP DUPLX	1	025-32500-000/0	025-32500-000/0	025-32500-000/0	025-32500-000/0
4	COVER	1	025-38397-000	025-38397-000	025-38397-000	025-38397-000
5	XFMR, 2KVA 1PH 50/60HZ	1	025-34493-000	N/A	N/A	N/A
5	XFMR, DRY TYPE	1	N/A	025-37605-000	025-37605-000	025-37633-000
6	S270 MINI-BRKR.	1	024-30936-000	024-30936-000	024-30936-000	024-30936-000



VIEW SHOWN WITHOUT LEFT SHROUD



VIEW SHOWN WITH LEFT SHROUD SHOWING MOUNTING OF CIRCUIT BREAKER

FIG. 10 - CONVENIENCE OUTLET KIT

LD11362

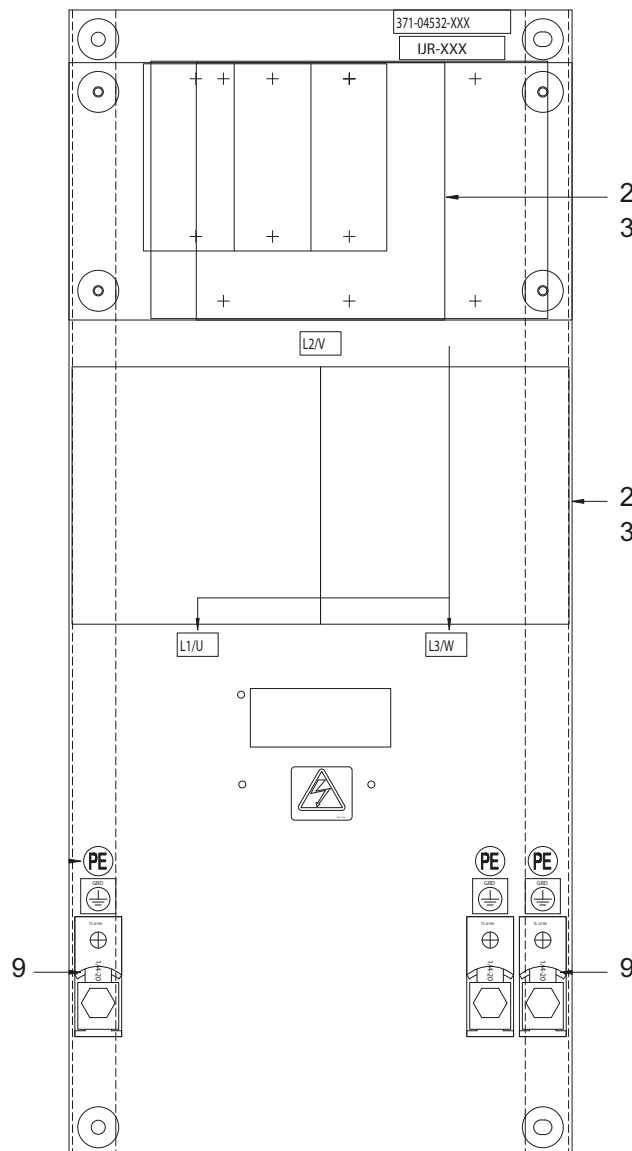
## TERMINAL BLOCK KITS

**SINGLE & DUAL POINT POWER - 106-130 TON - SEE FIG. 11**

SINGLE POINT POWER 200V & 230V			
ITEM	DESCRIPTION	QTY	PART NO.
2	POWER DIST BLOCK	3	025-39411-000
3	DIST. BLOCK COVER	3	025-39394-000
9	GROUND LUG, CU	3	025-34086-000

SINGLE POINT POWER 400V, 460V & 575V			
ITEM	DESCRIPTION	QTY	PART NO.
2	POWER DIST BLOCK	1	025-32536-000
3	DIST. BLOCK COVER	3	025-39397-000
9	GROUND LUG, CU	2	025-34089-000

DUAL POINT POWER 200V, 230V, 400V, 460V & 575V			
ITEM	DESCRIPTION	QTY	PART NO.
2	POWER DIST BLOCK	1	025-39410-000
3	DIST. BLOCK COVER	3	025-39393-000
9	GROUND LUG, CU	1	025-34089-000



LD11363

FIG. 11 - TERMINAL BLOCK KITS

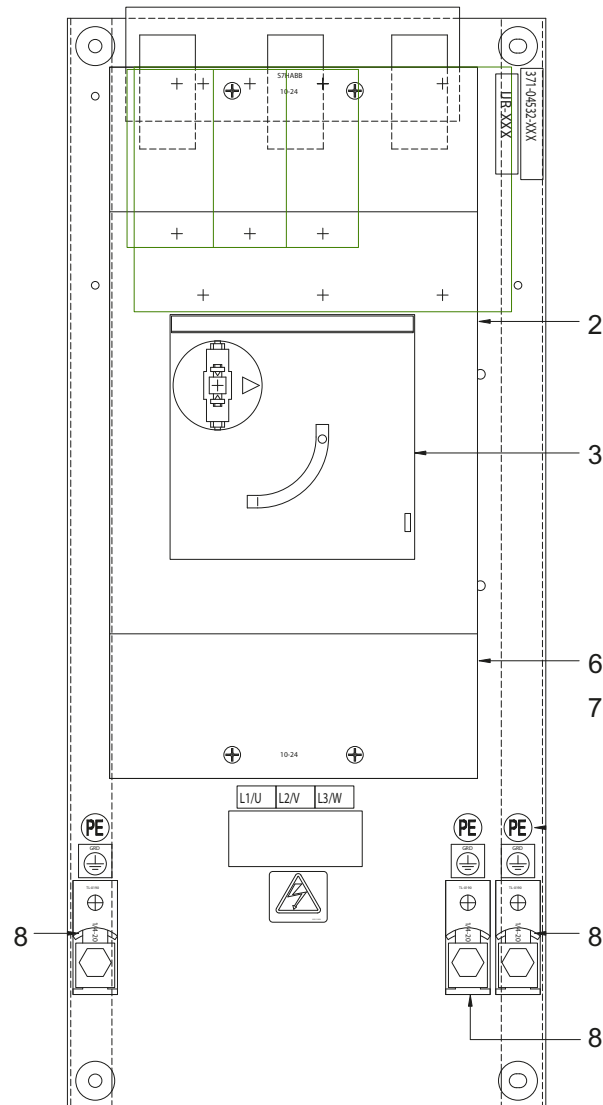
**NON FUSED DISCONNECT SWITCH KITS**

NON FUSED DISCONNECT SWITCH KITS - 400/600/1200 A - 105-130 TON - SEE FIG 12

400A PWR DISC KIT			
ITEM	DESCRIPTION	QTY	PART NO.
2	MOLDED CASE SW.	1	024-25564-000
3	CB OPERATOR MECH	1	024-31878-000
4*	SHAFT, 19.69"	1	025-35696-000
5*	HANDLE, PISTOL	1	025-35697-000
6	LUG KIT W'CP-TAP	1	024-31651-000
7	LUG COVER IP40	1	024-31858-000
8	GROUND LUG, CU	1	025-34089-000

600A PWR DISC KIT			
ITEM	DESCRIPTION	QTY	PART NO.
2	MOLDED CASE SW.	1	024-25563-000
3	CB OPERATOR MECH	1	025-35695-000
4*	SHAFT, 19.69"	1	025-35696-000
5*	HANDLE, PISTOL	1	025-35697-000
6	LUG KIT W'CP-TAP	1	024-31653-000
7	LUG COVER IP40	1	024-31834-000
8	GROUND LUG, CU	2	025-34089-000

1200A PWR DISC KIT			
ITEM	DESCRIPTION	QTY	PART NO.
2	MOLDED CASE SW.	1	024-30966-000
3	CB OPERATOR MECH	1	025-37654-000
4*	SHAFT, 19.69"	1	025-35696-000
5*	HANDLE, PISTOL	1	025-37655-000
6	LUG KIT W'CP-TAP	1	024-31655-000
7	LUG COVER IP40	1	029-23430-000
8	GROUND LUG, CU	3	025-34086-000



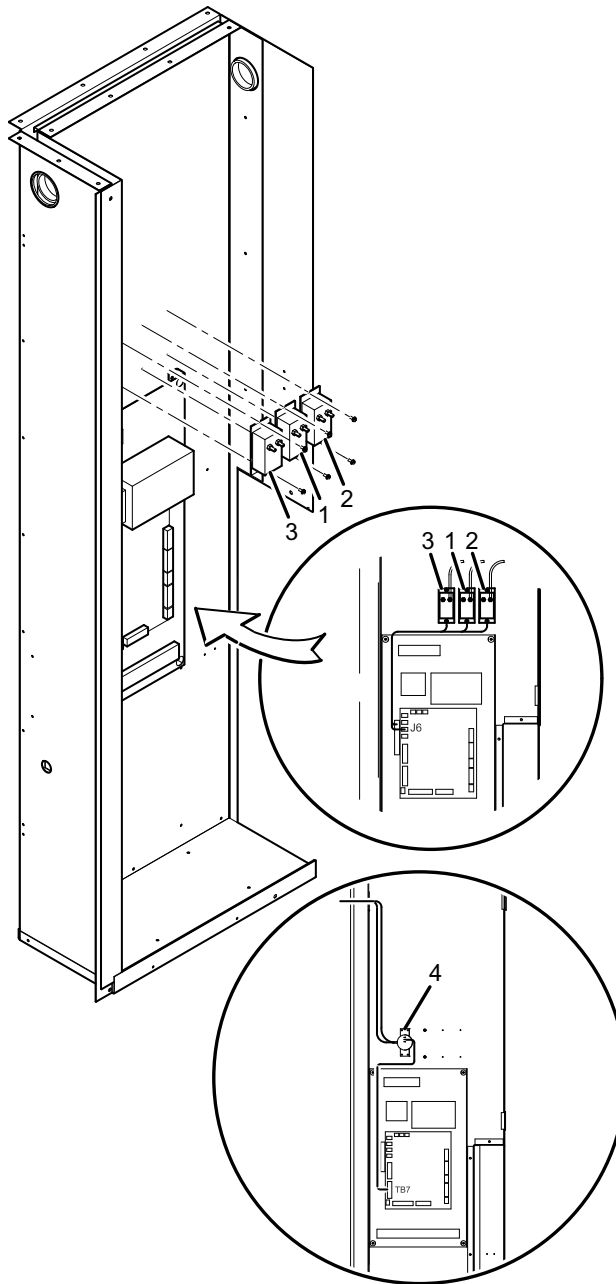
\* Items 4 & 5 Not Shown

LD11364

FIG. 12 - NON FUSED DISCONNECT SWITCH KITS

### TRANSDUCER AND DIRTY FILTER SWITCH

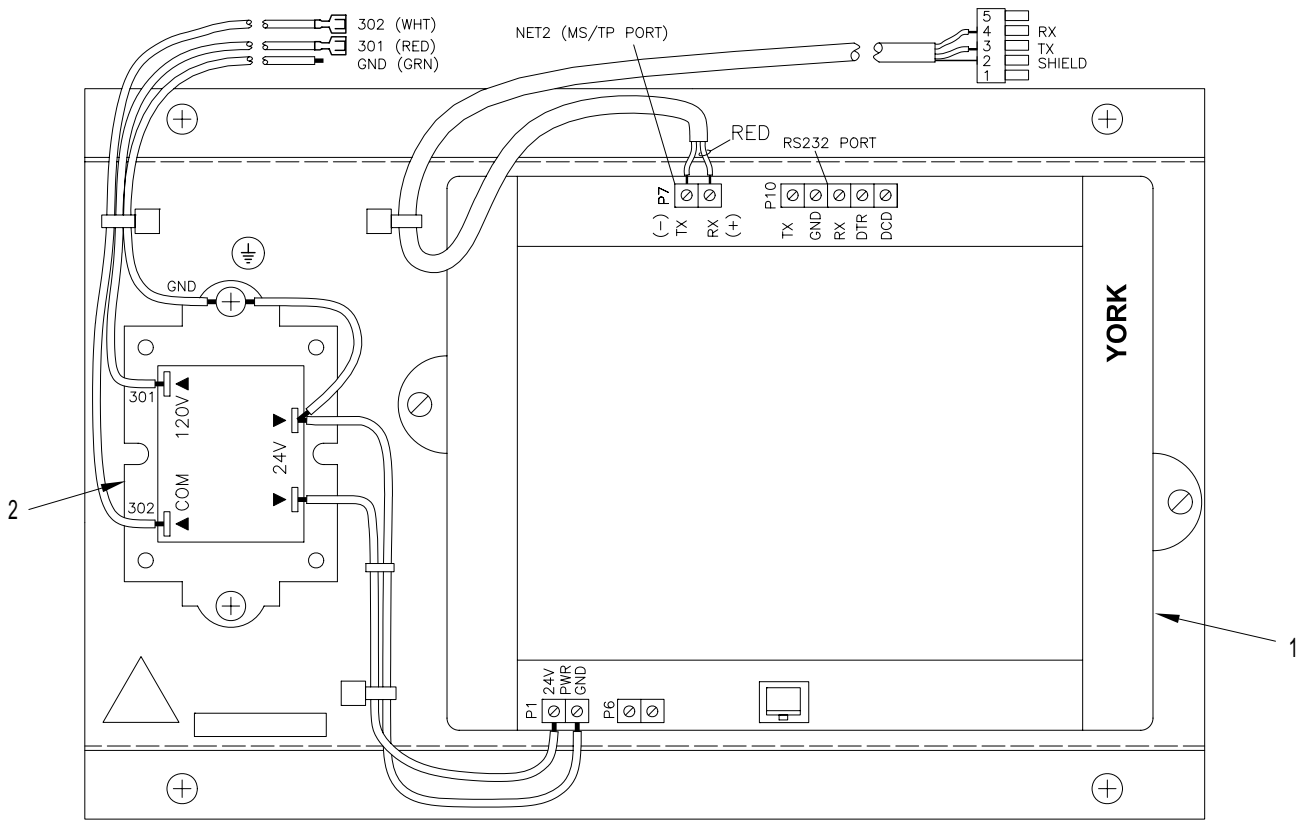
ITEM	DESCRIPTION	PART NO.
1	BUILDING PRESSURE TRANSDUCER	025-35808-002
2	DUCT PRESSURE TRANSDUCER	025-35808-002
3	RETURN PRESSURE TRANSDUCER	025-35808-002
4	SWITCH, PRESSURE, FILTER	025-36116-000



3

LD11590

FIG. 13 - TRANSDUCER AND DIRTY FILTER SWITCH



LD11692

ITEM	DESCRIPTION	QTY	PART NO.
2	TRANSFORMER, 120V PRI, 24V SEC, 40VA, CL2	1	025-30889-000
3	CX-ROUTER	1	371-04475-000

FIG. 14 - BACNET ROUTER

