



**PACKAGED ROOFTOP
AIR CONDITIONING UNITS**

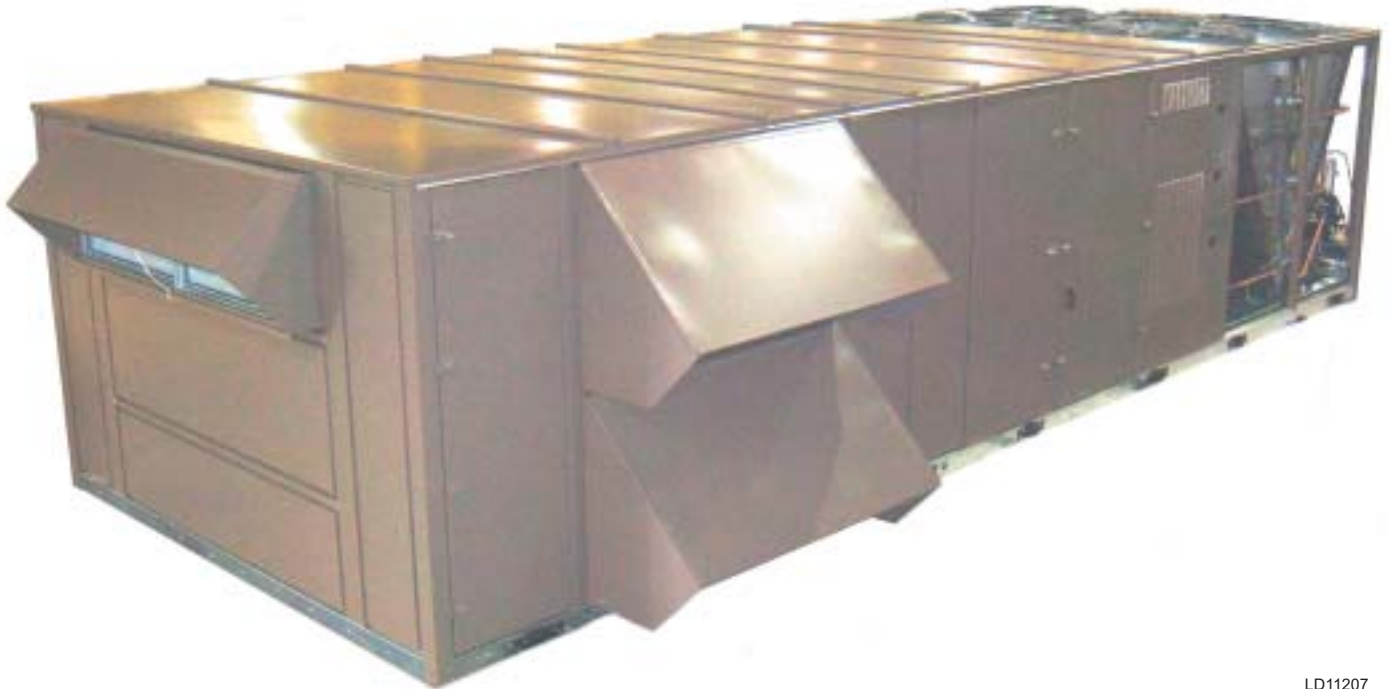
RENEWAL PARTS

Supersedes: NOTHING

Form 100.50-RP4 (306)



**106 - 130 TON
UNIT COMPONENTS
YPAL CONTROL PANELS
MOD "E"**

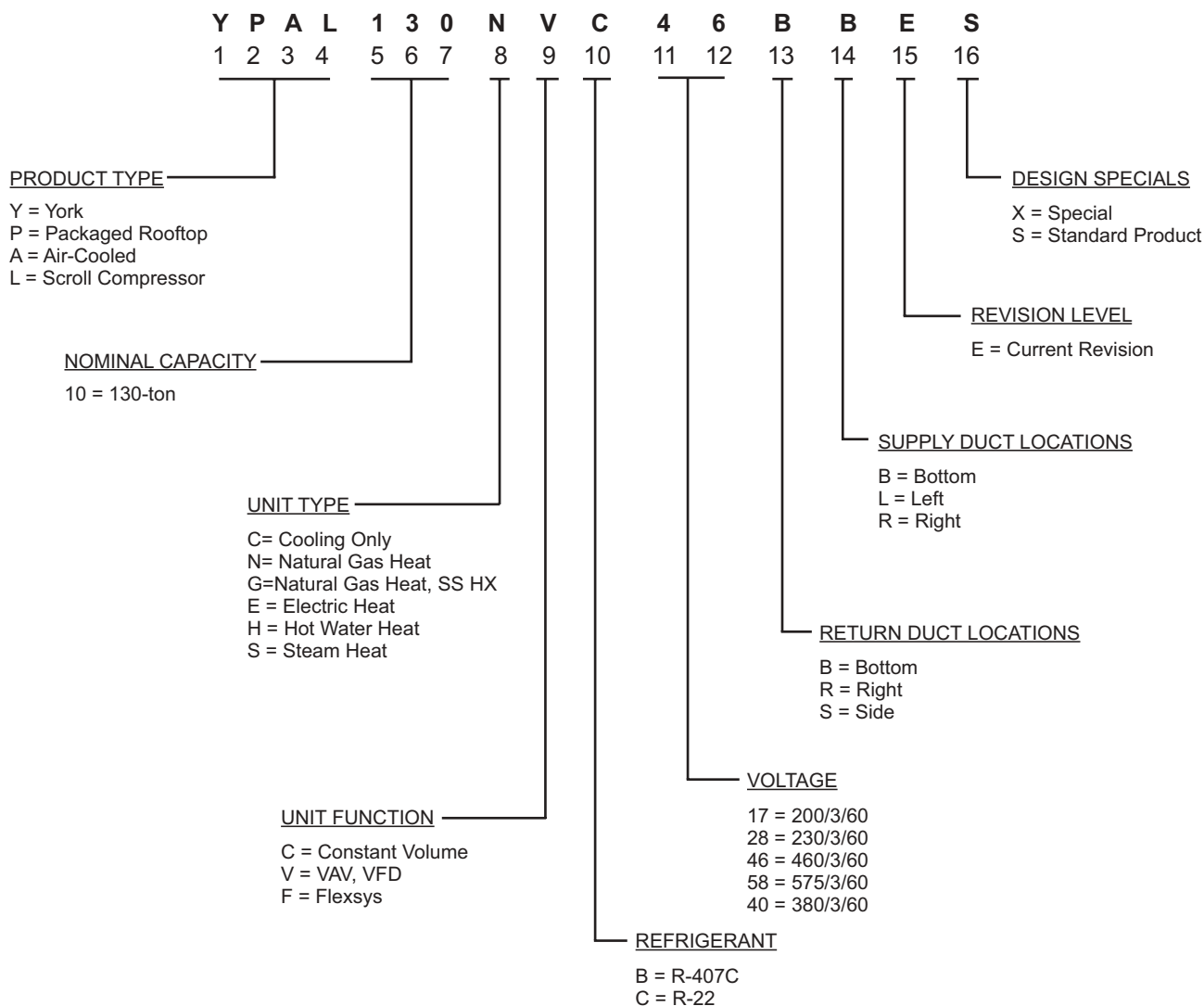


LD11207



ALLY

BASIC MODEL NUMBER



WARNING
HIGH VOLTAGE
is used in the operation of this equipment.
DEATH or SERIOUS INJURY
may result if personnel fail to observe safety precautions.

Work on electronic equipment should **NOT** be undertaken unless the individual(s) has (have) been trained in the proper maintenance of the equipment and is (are) familiar with it's potential hazards.

Shut off the power supply to the equipment before beginning work and follow lockout procedures. When working inside equipment with the power "OFF", take care of discharge every capacitor is likely to hold dangerous potential.

Be careful not to contact high voltage connections when installing or operating this equipment.

LOW VOLTAGE

DO NOT be misled by the term "low voltage". Voltages as low as 50 volts may cause death.

TABLE OF CONTENTS

TITLE	PAGE
TABLE 1 - DOOR ASSEMBLIES	6
TABLE 2 - DOOR LATCH AND HINGE ASSEMBLIES	7
TABLE 3 - EXTERIOR UPRIGHT ASSEMBLIES	8
TABLE 4 - BASE RAIL AND CORNER POST ASSEMBLIES	8
TABLE 5 - SIDE PANEL ASSEMBLIES	10
TABLE 6 - HOOD ASSEMBLIES	12
TABLE 7 - EXHAUST HOOD DAMPERS AND ACTUATORS	13
TABLE 8 - CHIMNEY ASSEMBLIES	14
TABLE 9 - EXHAUST FAN & FAN SKID ASSEMBLY	15
TABLE 10A - EXHAUST FAN MOTORS (ODP)	16
TABLE 10B - EXHAUST FAN MOTORS (TEFC).....	17
TABLE 11 - EXHAUST FAN MOTOR BASE KITS	18
TABLE 12 - EXHAUST FAN MOTOR DRIVE KITS	19
TABLE 13 - EXHAUST FAN 2" SPRING ISOLATORS	20
TABLE 14 - EXHAUST FAN REPLACEMENT PARTS	21
TABLE 15 - EXHAUST FAN MOTOR DANFOSS VARIABLE FREQUENCY DRIVES	22
TABLE 16 - EXHAUST FAN VFD BYPASS PANELS	23
TABLE 17 - EXHAUST FAN VFD BYPASS PANEL REPLACEMENT PARTS	24
TABLE 18 - RETURN FAN & FAN SKID ASSEMBLY	28
TABLE 19 - RETURN FAN REPLACEMENT PARTS	29
TABLE 20A - RETURN FAN MOTORS (ODP)	30
TABLE 20B - RETURN FAN MOTORS (TEFC)	31
TABLE 21 - RETURN FAN MOTOR DRIVE KITS - BOTTOM RETURN.....	32
TABLE 22 - RETURN FAN MOTOR BASE KITS.....	33
TABLE 23 - RETURN FAN SPRING ISOLATORS.....	34
TABLE 24 - RETURN FAN MOTOR DANFOSS VARIABLE FREQUENCY DRIVES.....	35
TABLE 25 - ECONOMIZER DAMPERS AND ACTUATORS	36
TABLE 26 - AIR MEASUREMENT STATION.....	38
TABLE 27 - FILTERS, ANGLE	39
TABLE 28 - FILTERS, RIGID	40
TABLE 29A - EVAPORATOR COILS (ALUMINUM)	43
TABLE 29B - EVAPORATOR COILS (COPPER)	43
TABLE 30 - EVAPORATOR ASSEMBLY (R-22)	41
TABLE 31 - EVAPORATOR HEADERS.....	44
TABLE 32 - SUPPLY FAN & FAN SKID ASSEMBLIES	45
TABLE 33 - SUPPLY FAN MOTOR DRIVE KITS	46
TABLE 34A - SUPPLY FAN MOTORS (ODP)	47
TABLE 34B - SUPPLY FAN MOTORS (TEFC).....	48
TABLE 35 - SUPPLY FAN REPLACEMENT PARTS	49
TABLE 36 - SUPPLY FAN MOTOR BASE KITS.....	50
TABLE 37A - SUPPLY FAN AIRFOIL - 2" SPRING ISOLATORS	52
TABLE 37B - SUPPLY FAN FORWARD CURVED - 2" SPRING ISOLATORS	53
TABLE 38 - SUPPLY FAN MOTOR DANFOSS VARIABLE FREQUENCY DRIVES	55
TABLE 39 - SUPPLY AIR VFD MOUNTING	56

TABLE OF CONTENTS

TITLE	PAGE
TABLE 40 - SUPPLY FAN VFD BYPASS PANELS	57
TABLE 41 - SUPPLY FAN VFD BYPASS PANEL REPLACEMENT PARTS	58
TABLE 42 - FLEXSYS BYPASS DAMPER KIT	62
TABLE 43 - STAGED GAS HEAT	63
TABLE 44 - MODULATING GAS HEAT	66
TABLE 45 - GAS HEAT FIREWALL TRIPLE ASSEMBLY	69
TABLE 46 - ELECTRIC HEATER COILS.....	70
TABLE 47 - ELECTRIC HEAT ASSEMBLY.....	71
TABLE 48 - ELECTRIC HEAT FIREWALL ASSEMBLY	72
TABLE 49 - HOT WATER COIL ASSEMBLY	73
TABLE 50 - CONDENSER FAN DECK ASSEMBLY.....	74
TABLE 51 - CONDENSER COIL ASSEMBLY	75
TABLE 52A - CONDENSER COILS (ALUMINUM FIN).....	76
TABLE 52B - CONDENSER COILS (COPPER FIN).....	76
TABLE 52C - CONDENSER COILS (PRE-COAT BLACK FIN).....	76
TABLE 52D - CONDENSER COILS (POST-COAT TECHNICOAT FIN).....	76
TABLE 53A - CONDENSER DISCHARGE HEADER	77
TABLE 53B - CONDENSER LIQUID HEADER	77
TABLE 54 - CONDENSER FAN ASSEMBLY.....	78
TABLE 55 - CONDENSER FAN WIRING	79
TABLE 56 - COPELAND SCROLL COMPRESSORS (R-22).....	80
TABLE 57 - CRANKCASE HEATERS	81
TABLE 58 - COMPRESSOR SOUND BLANKETS.....	81
TABLE 59 - COMPRESSOR TANDEM BASE 15/15	82
TABLE 60 - COMPRESSOR TANDEM BASE 20/15	84
TABLE 61 - COMPRESSOR TANDEM BASE 20/20	86
TABLE 62A - PIPING HGBP SYS 1 / NO SHUTOFF	88
TABLE 62B - PIPING HGBP SYS 1 W/ SHUTOFF	88
TABLE 62C - PIPING W/ HGBP	88
TABLE 62D - PIPING HGBP ALL SYS W/SHUTOFF	89
TABLE 62E - PIPING NO HGBP / NO SHUTOFF	89
TABLE 62F - PIPING NO HGBP W/ SHUTOFF	89
TABLE 63 - PIPING COMMON SUCTION	90
TABLE 64 - PIPING SUCTION SHUTOFF	92
TABLE 65 - PIPING SUCTION NO SHUTOFF	93
TABLE 66 - PIPING LIQUID COMMON	94
TABLE 67 - PIPING COMMON DISCHARGE	96
TABLE 68 - PIPING COMMON HGBP	97
TABLE 69 - PIPING HGBP	100
TABLE 70 - PIPING HGBP STANDARD	102
TABLE 71 - PIPING NO HGBP	102
TABLE 72 - PIPING DISTRIBUTOR	103
TABLE 73A - PIPING SUCTION DISTRIBUTOR 106T	104
TABLE 73B - PIPING SUCTION DISTRIBUTOR 110T	105

TABLE OF CONTENTS

TITLE	PAGE
TABLE 73C - PIPING SUCTION DISTRIBUTOR 115T	106
TABLE 73D - PIPING SUCTION DISTRIBUTOR 130T	107
TABLE 74 - TRANSDUCERS, SWITCHES, AND SENSORS (CONDENSER).....	108
TABLE 75 - TRANSDUCERS, SWITCHES, AND SENSORS (SUPPLY AIR)	109
TABLE 76 - TRANSDUCERS, SWITCHES, AND SENSORS (ECONOMIZER)	111
TABLE 77 - SERVICE AND CONVENIENCE KITS	112
TABLE 78 - MISCELLANEOUS KITS	113
TABLE 79 - SHIPPED LOOSE CONTROL ACCESSORIES	114

TABLE 1 - DOOR ASSEMBLIES

FIGURE	ITEM	DESCRIPTION	PART NUMBER
1	1	DOOR ASSEMBLY GAS HEAT	385-20023-100
1	2	DOOR ASSEMBLY 35 CNTRL PNL	385-20023-101
1	3	DOOR ASSEMBLY 20	385-20023-102
1	4	DOOR ASSEMBLY 42.875	385-20023-104
1	5	DOOR ASSEMBLY EE 24	385-20023-105
1	6	DOOR ASSEMBLY 34.4	385-20023-106
*	7	PAINT, TOUCH-UP, CHAMPAGNE	013-03355-000

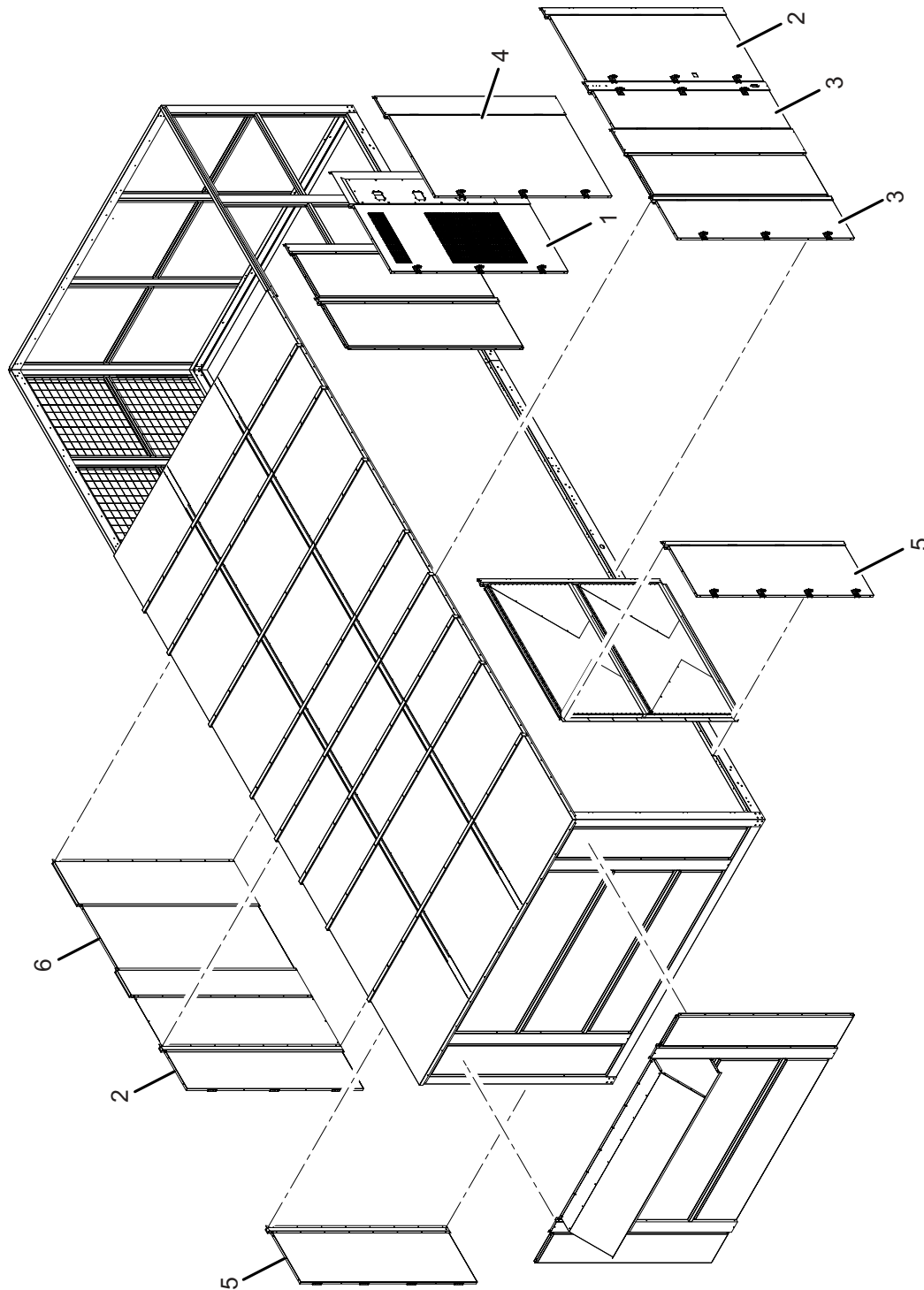


FIG. 1 - DOOR ASSEMBLIES

LD11578

TABLE 2 - DOOR LATCH AND HINGE ASSEMBLIES

FIGURE	ITEM	DESCRIPTION	PART NUMBER
2	1	LATCH, DOOR, BACK PLATE	029-22030-000
2	2	LATCH, DOOR, TONGUE GUIDE	029-22029-000
2	3	KNOB, DOOR, TEE, .25_20	029-22027-000
2	4	LATCH, DOOR, TONGUE	029-22032-000
2	5	LATCH, DOOR, CATCH	029-22028-000
2	6	SCREW, HH, COAT, #10_.5	021-19520-000
2	7	HINGE, DOOR, 1.5W_4L_ .063 THK	029-22026-000
2	8	SCREW, PHIL, PH, COAT, #10-16_.5	021-13769-000
2	9	DOOR TIE BACK	085-20000-010
2	10	SCREW, HH COAT, .25-20_.75	021-31337-000
2	11	CHAIN, DOUBLE LOOP, #5 **	012-06262-010
2	12	ANG DOOR LATCH LOCK *	085-20000-011
2	13	SCREW, TEK, PLTD, 10-24_.5 *	021-13863-000

NOTES:

* 1 door latch lock per door assembly, mounted on center latch assembly.

** 1 double loop chain per door assembly, mounted on lower latch assembly.

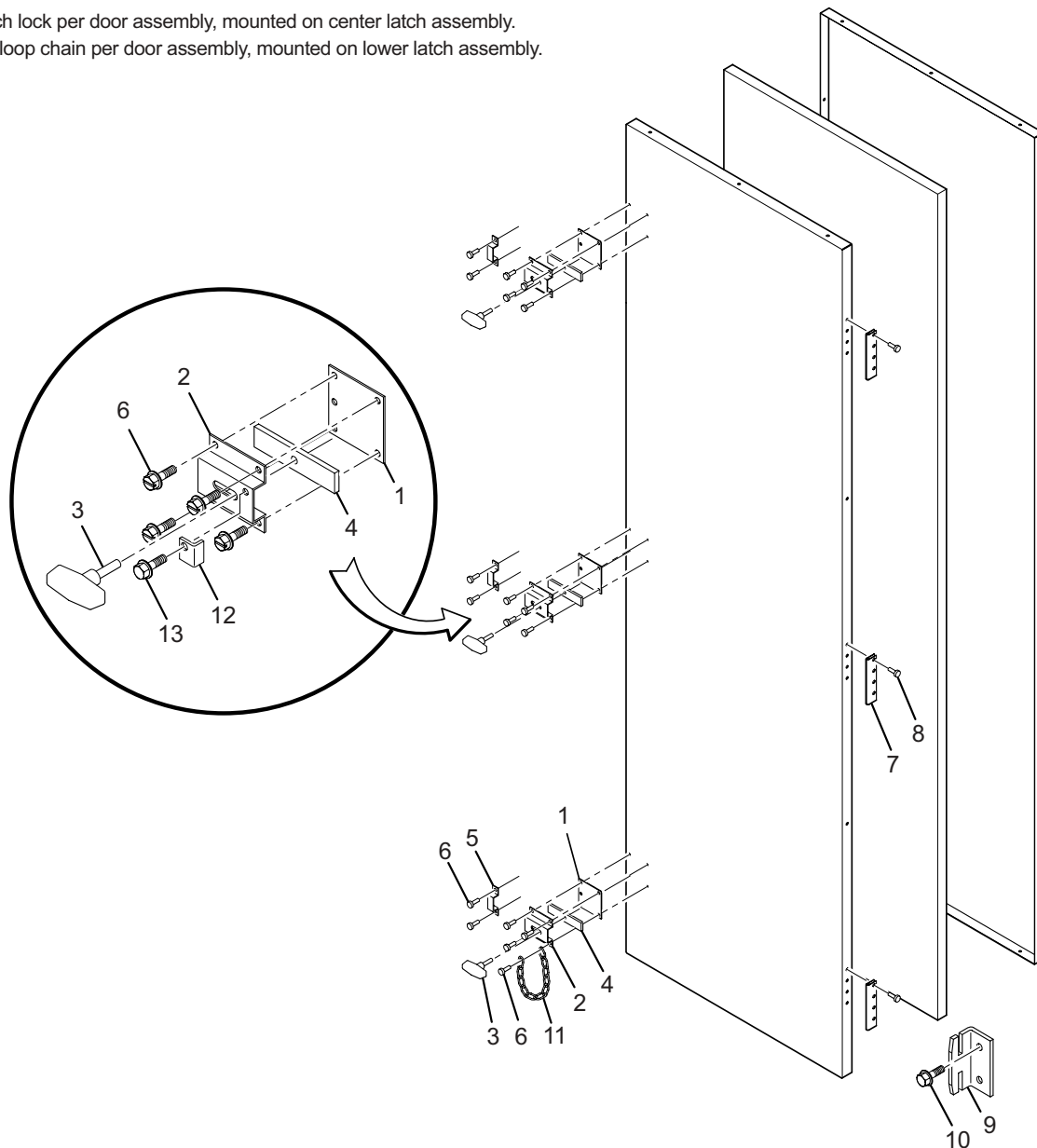


FIG. 2 - DOOR LATCH AND HINGE ASSEMBLIES

TABLE 3 - EXTERIOR UPRIGHT ASSEMBLIES

FIGURE	ITEM	DESCRIPTION	PART NUMBER
3	1	UPRIGHT ASSEMBLY 5.75	385-20024-100
3	2	UPRIGHT ASSEMBLY GAS HEAT TPL	385-20024-101
3	3	UPRIGHT ASSEMBLY 24.7	385-20024-102
3	4	UPRIGHT ASSEMBLY 4.0	385-20024-103
3	5	UPRIGHT ASSEMBLY 11.75	385-20024-105
3	6	UPRIGHT ASSEMBLY 6.5	385-20024-107
3	7	UPRIGHT ASSEMBLY 6.25	385-20024-108
3	8	UPRIGHT ASSEMBLY 7.59 X W/EF	385-20024-110
3	9	UPRIGHT ASSEMBLY 14.52 W/EF	385-20024-111
3	10	UPRIGHT ASSEMBLY 7.59 W/RF	385-20024-112
3	11	UPRIGHT ASSEMBLY 14.75	385-20024-113
3	12	UPRIGHT ASSEMBLY 15.375	385-20024-114
3	13	UPRIGHT ASSEMBLY 4.0	385-20024-115
3	14	UPRIGHT ASSEMBLY 4.0	385-20024-116
3	15	UPRIGHT ASSEMBLY 4.0	385-20024-117
3	16	UPRIGHT ASSEMBLY EE 4.0	385-20024-118
3	17	UPRIGHT ASSEMBLY EE 4.0	385-20024-119
3	18	UPRIGHT ASSEMBLY EE 14.52	385-20024-120
3	19	UPRIGHT ASSEMBLY EE 7.59	385-20024-121
3	20	UPRIGHT ASSEMBLY (COOLING ONLY)	385-20024-122
3	21	UPRIGHT ASSEMBLY EE 4.0 LH DOOR	385-20024-124

TABLE 4 - BASE RAIL AND CORNER POST ASSEMBLIES

FIGURE	ITEM	DESCRIPTION	PART NUMBER
3	22	BASE RAIL END ASSY EF	385-20022-421
3	23	BASE RAIL END OUT ASSY	385-20022-422
3	24	BASE RAIL END ASSY RF	385-20022-423
3	25	CORNER POST END EE ASSY	385-20028-100
3	26	CORNER POST END EE ASSY	385-20028-101
*	27	CORNER POST END EE ASSY LH DOOR	385-20028-102
3	28	CORNER POST ASSY COND END	385-20028-200

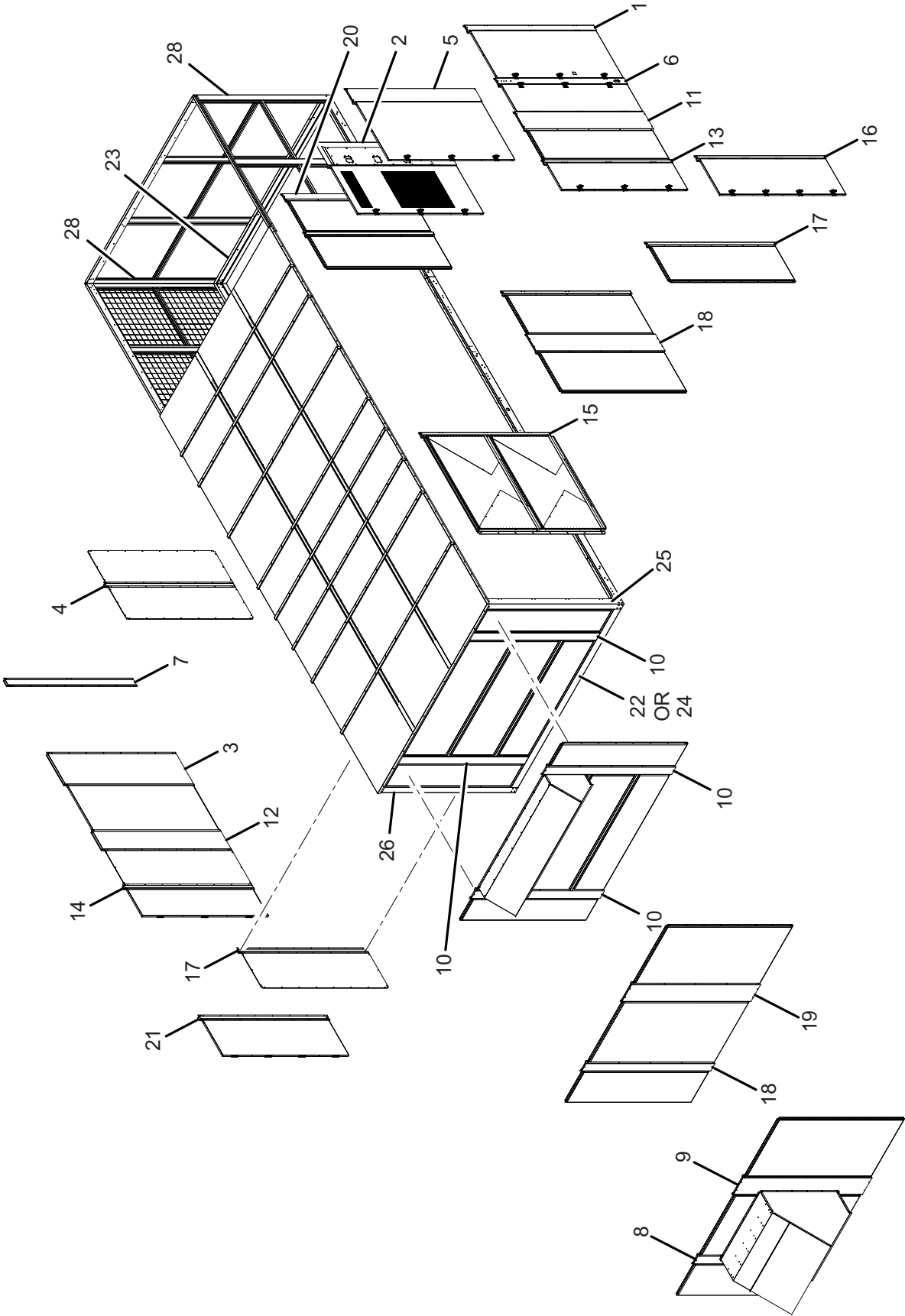


FIG. 3 - EXTERIOR ASSEMBLIES

TABLE 5 - SIDE PANEL ASSEMBLIES

FIGURE	ITEM	DESCRIPTION	PART NUMBER
5	1	PANEL ASSEMBLY 43.57 X 81.82	385-20020-130
5	2	PANEL ASSEMBLY 24.15 X 81.82	385-20020-131
5	3	PANEL ASSEMBLY 45.91 X 81.82 EF	385-20020-132
5	4	PANEL END ASSEMBLY 86.21 X 29.88 RF	385-20020-134
5	5	PANEL END ASSEMBLY 86.21 X 20.82	385-20020-135
5	6	PANEL END ASSEMBLY 17.17 X 81.82 RF	385-20020-136
5	7	PANEL ASSEMBLY 45.91 X 81.82 W/O EF	385-20020-138
5	8	PANEL SIDE ASSEMBLY 24.3	385-20021-100
5	9	PANEL SIDE ASSEMBLY 26.81 X 81.82	385-20021-101
5	10	PANEL SIDE ASSEMBLY 22.75	385-20021-102
5	11	PANEL SIDE ASSEMBLY 29.88	385-20021-104
5	12	WIRE GUARD, END OUT	026-42033-000
5	13	WIRE GUARD, SIDE	026-42030-000
5	14	PANEL, LOUVERED, END OUT	085-20014-500
5	14	PANEL, PERF, GLV, 47%, 18 GA., END OUT	085-20014-600
5	15	PANEL, LOUVERED, SIDE	085-20014-501
5	15	PANEL, PERF, GLV, 47%, 18 GA., SIDE	085-20014-601
*	16	PAINT, TOUCH-UP, CHAMPAGNE	013-03355-000

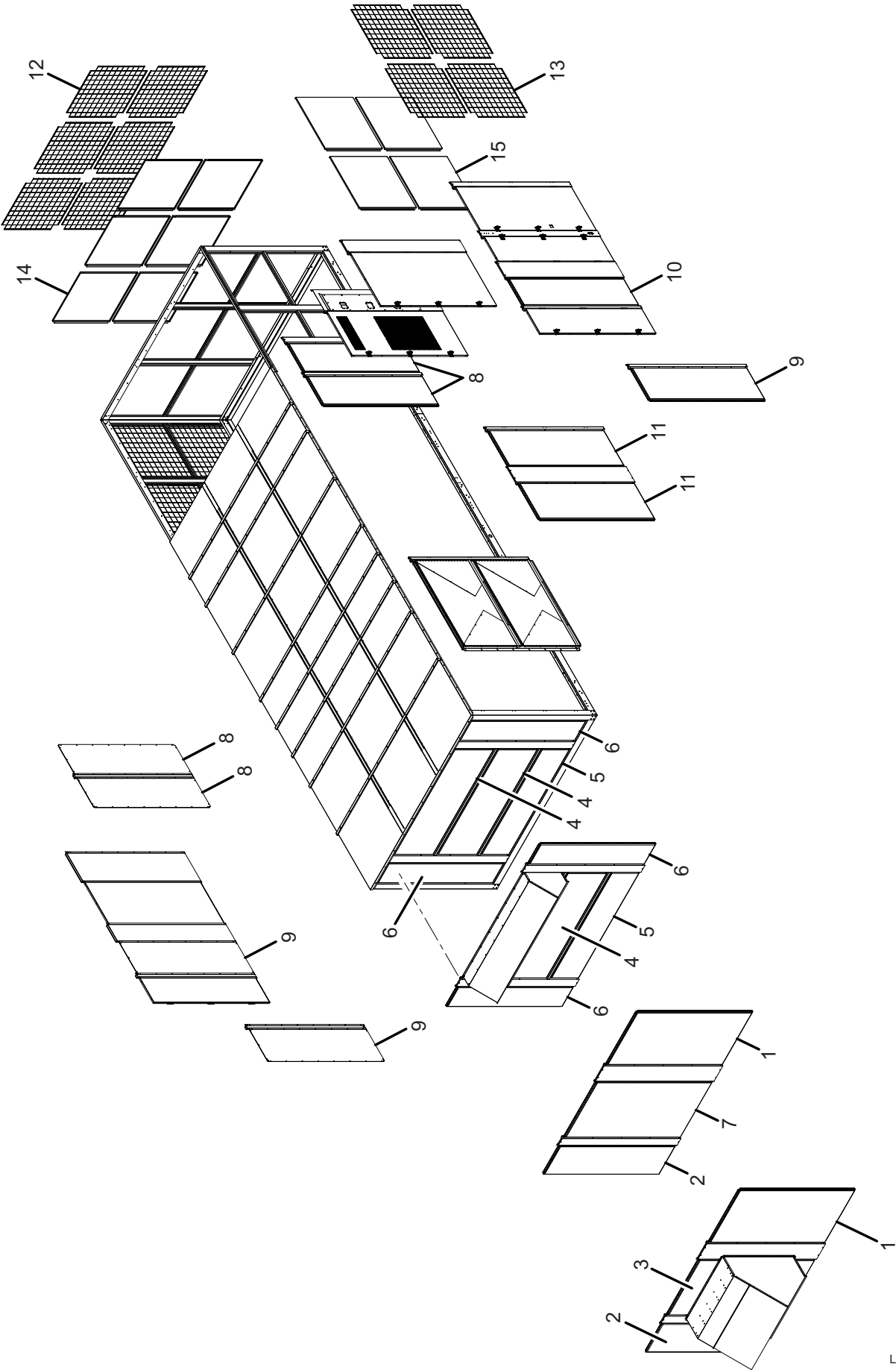


FIG. 5 - SIDE PANEL ASSEMBLIES

JOHNSON CONTROLS

LD11580

TABLE 6 - HOOD ASSEMBLIES

FIGURE	ITEM	HOOD ASSY OA	PART NUMBER
6	1	HOOD, BRACKET, TOP OA	085-20026-014
6	2	HOOD, TOP OA	085-20026-015
6	3	HOOD, PNL, SIDE RH	085-20026-016
6	4	HINGE, PIANO 68"	029-24631-000
6	5	HINGE, PIANO 39"	029-24630-000
6	6	HOOD, PANEL, SIDE LH	085-20026-018

FIGURE	ITEM	HOOD ASSY EXHAUST FAN	PART NUMBER
6	7	PANEL, BTM, EXH HOOD	085-20026-053
6	8	PANEL, SIDE, RH EXH HOOD	085-20026-052
6	9	PANEL, SIDE, LH EXH HOOD	085-20026-051
6	10	PANEL, TOP, EXH HOOD	085-20026-054
6	11	ANGLE, EXH HOOD	085-20026-055
6	12	PANEL, EXH HOOD	085-20026-056

FIGURE	ITEM	HOOD ASSY RETURN FAN	PART NUMBER
6	13	PANEL, BTM, EXH HOOD	085-20026-063
6	14	PANEL, SIDE, RH EXH HOOD	085-20026-062
6	15	PANEL, SIDE, LH EXH HOOD	085-20026-061
6	16	PANEL, TOP, EXH HOOD	085-20026-064
6	17	ANGLE, EXH HOOD	085-20026-065

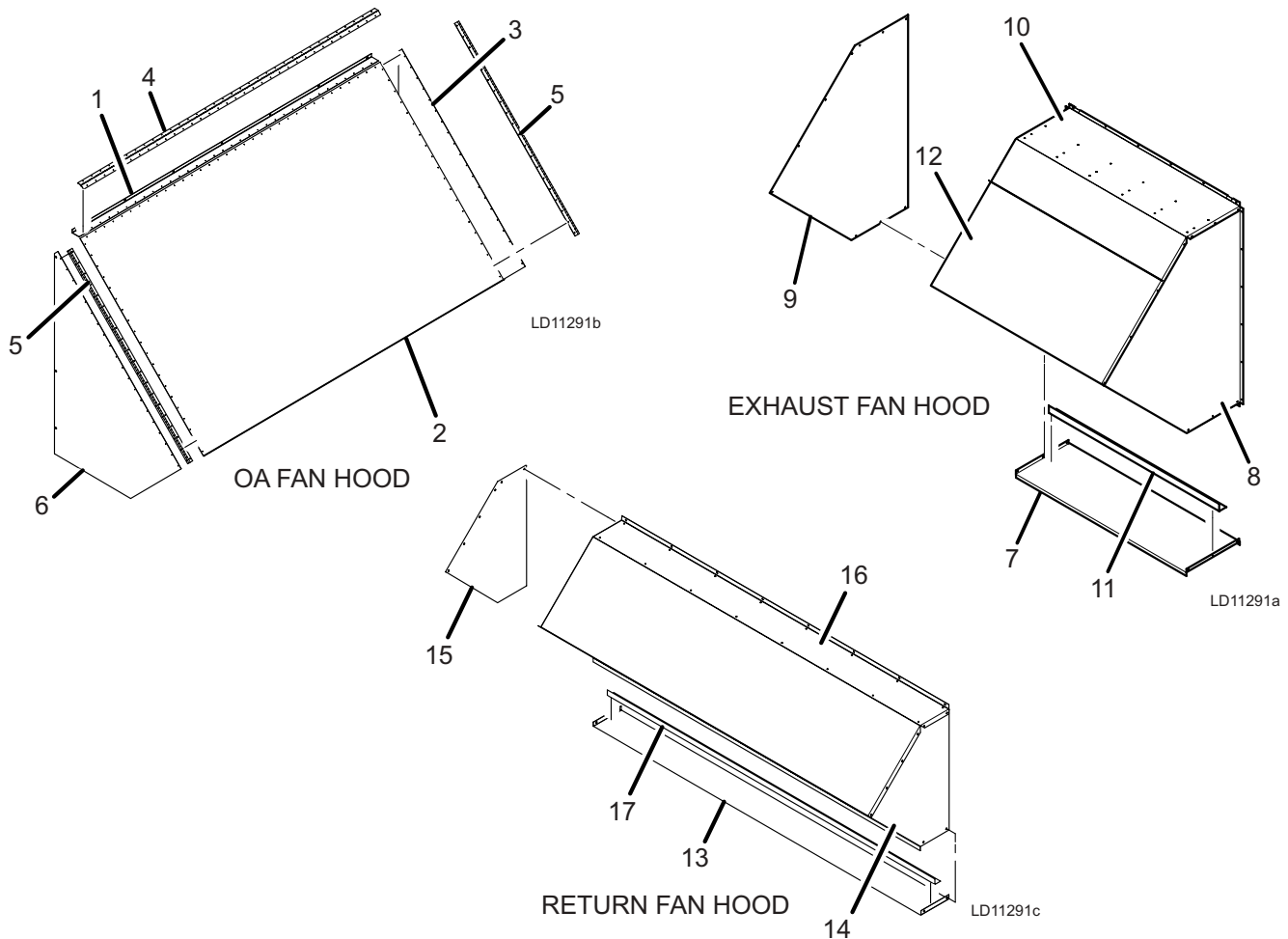
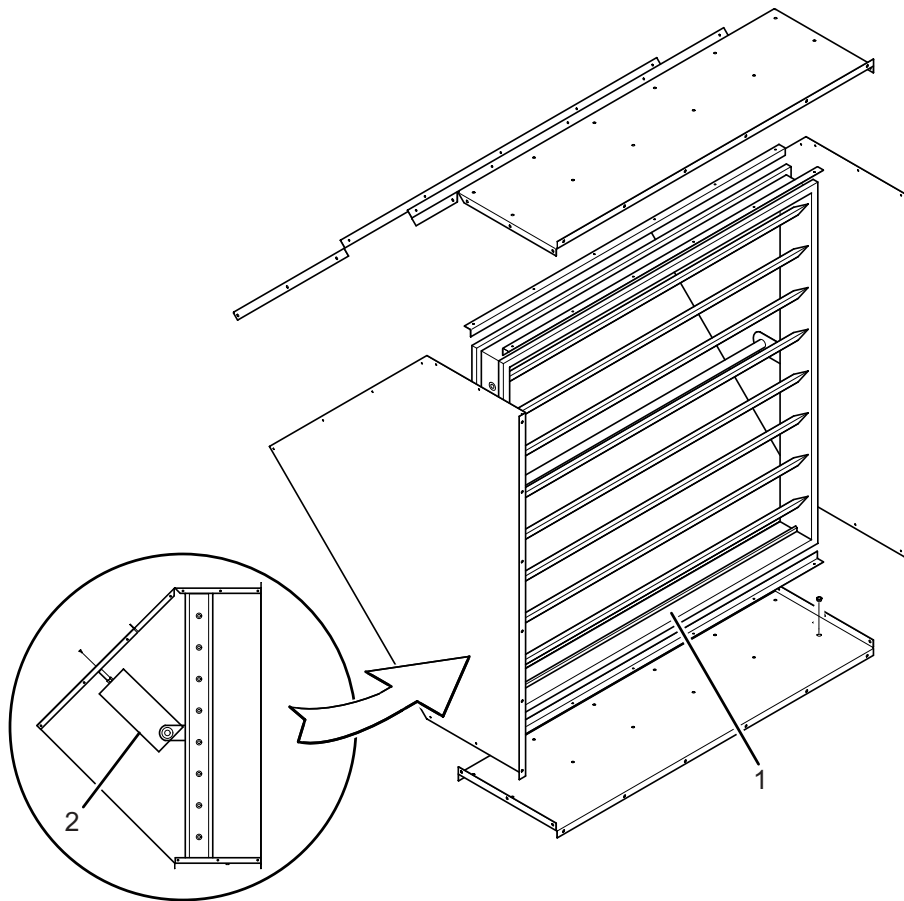


FIG. 6 - HOOD ASSEMBLIES

TABLE 7 - EXHAUST HOOD DAMPERS AND ACTUATORS

FIGURE	ITEM	W/ BARAMETRIC FAN 2P1	PART NUMBER
7	1	DAMPER, S3G, 49.75 X 50	026-41821-005
FIGURE	ITEM	W/ VFD EXHAUST FAN, 2P2	PART NUMBER
7	1	DAMPER, S3G, 49.75 X 50	026-41821-005
FIGURE	ITEM	W/ MOD DAMPER	PART NUMBER
7	1	DAMPER, CD60, 49.75 X 50	026-41821-002
7	2	ACTUATOR, DAMPER, 0-10V, 133IN-LB	025-30958-009
FIGURE	ITEM	W/ VFD RETURN FAN	PART NUMBER
7	1	DAMPER, CD60, 26.75 X 84	026-41821-003
7	2	ACTUATOR, DAMPER, 0-10V, 133IN-LB	025-30958-009

**FIG. 7 - EXHAUST HOOD DAMPERS AND ACTUATORS**

LD11187

TABLE 8 - CHIMNEY ASSEMBLIES

FIGURE	ITEM	DESCRIPTION	PART NUMBER
8	1	CHIMNEY ASSY, SINGLE	CONTACT YORK SERVICE
8	2	CHIMNEY ASSY, DOUBLE	
8	3	CHIMNEY ASSY, TRIPLE	385-20046-125

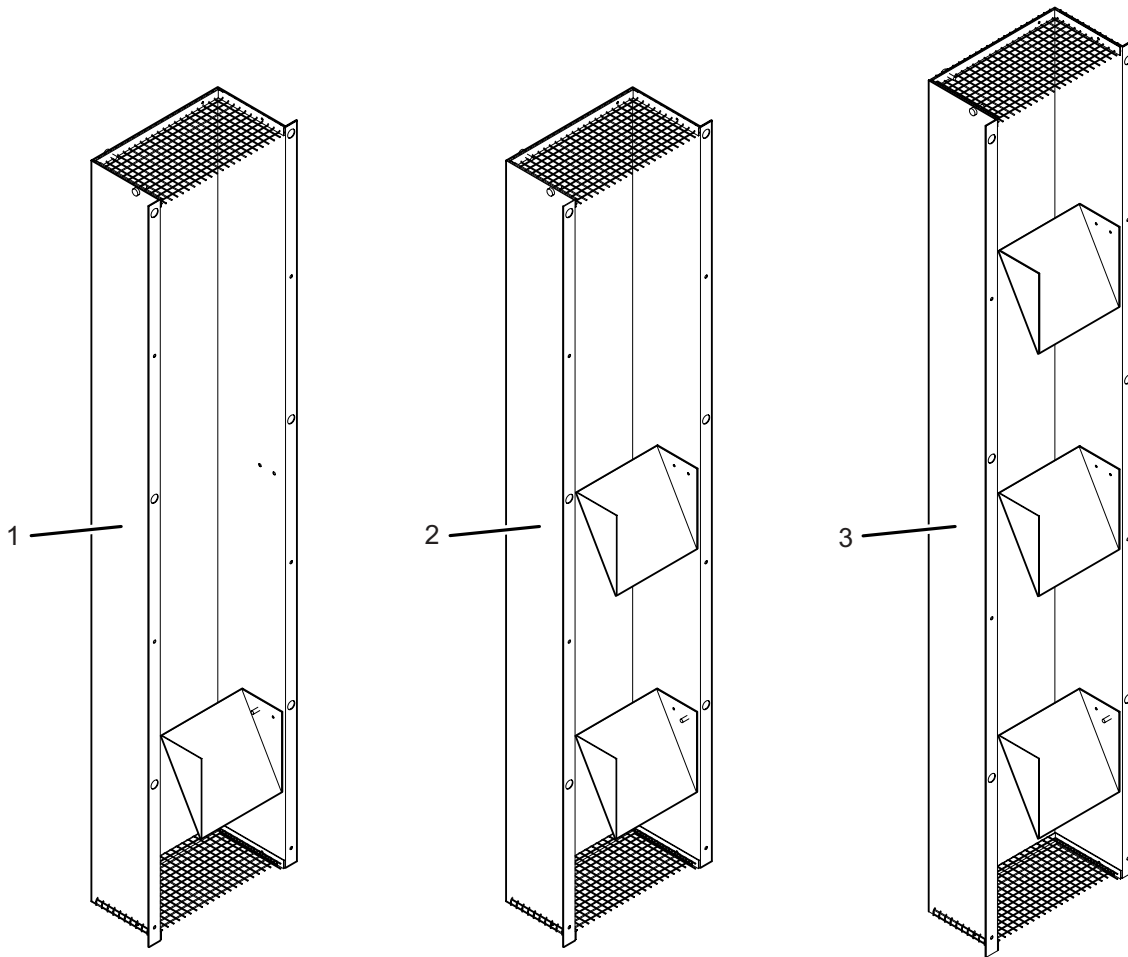


FIG. 8 - CHIMNEY ASSEMBLIES

LD11076

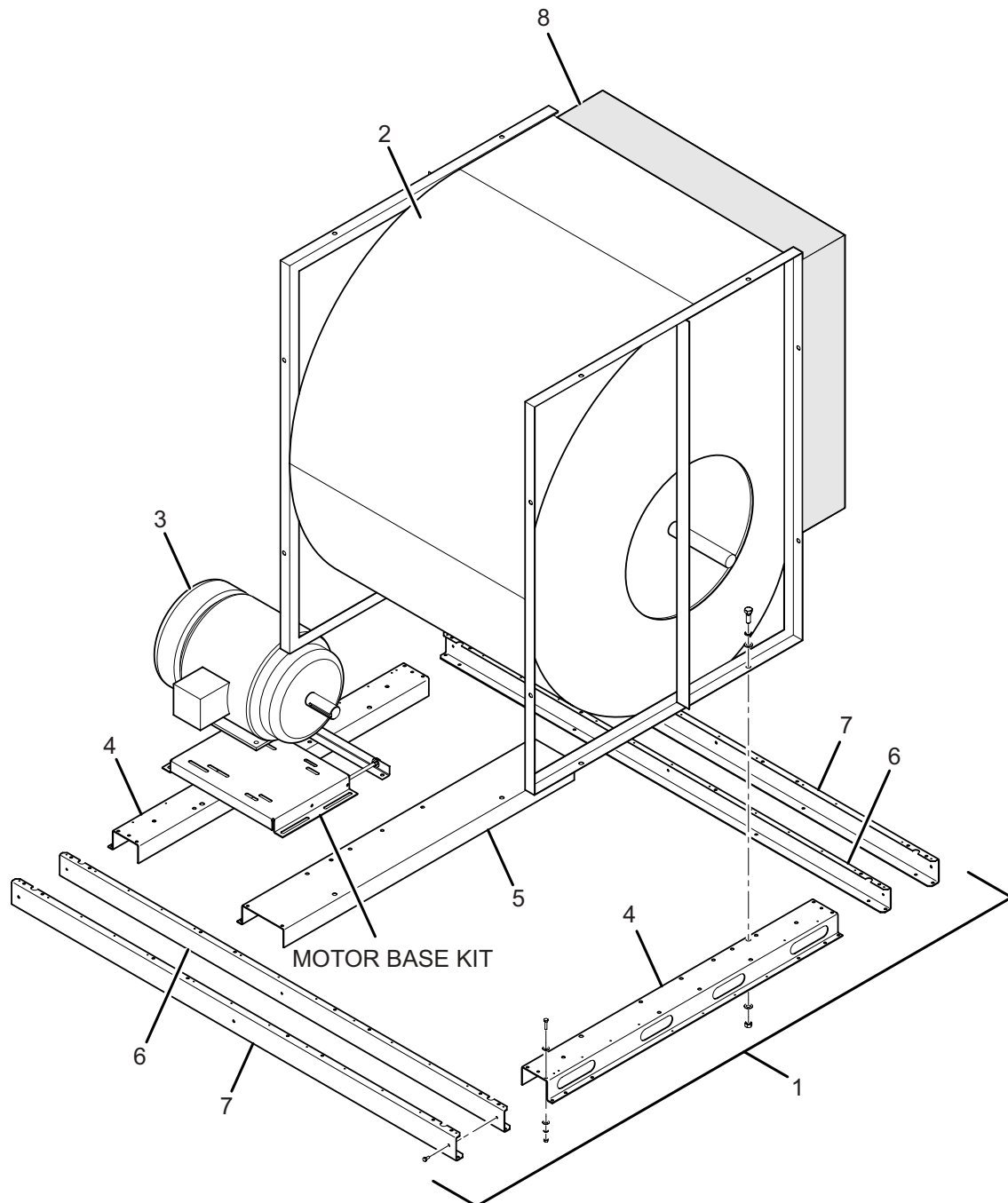
TABLE 9 - EXHAUST FAN & FAN SKID ASSEMBLY

FIGURE	ITEM	DESCRIPTION	PART NUMBER
9	1	FAN SKID EF 32-32 FC ASSEMBLY	385-20032-301
9	2	FAN, FC, 32 X 32, CL1	026-36312-132
9	4	RAIL, SPRING END	085-20032-064
9	5	RAIL, SPRING MID	085-20032-063
9	6	RAIL, END INNER	085-20032-065
9	7	RAIL, END OUTER	085-20032-066
9	8	FLEX, DUCT	026-28242-001

NOTE:

Item # 2 is included within item # 1 (385-20032-301).

Exhaust Fan Motor and Motor Base Kit are NOT
Included within item # 1 (385-20032-301).

**FIG. 9 - EXHAUST FAN & FAN SKID ASSEMBLY**

LD11629

TABLE 10A - EXHAUST FAN MOTORS (ODP)

FIGURE	ITEM	MOTOR HP	VOLTAGE (VOLT/)	HIGH EFFICIENCY PART NUMBER	PREMIUM EFFICIENCY PART NUMBER
9	3	7	200 (17)	024-23937-000	024-27058-000
			230 (28)	024-23930-000	024-27059-000
			460 (46)	024-23930-000	024-27059-000
			575 (58)	024-27010-000	024-34416-000
			400 (45)	024-26205-000	N/A
9	3	10	200 (17)	024-23938-000	024-27060-000
			230 (28)	024-23931-000	024-27062-000
			460 (46)	024-23931-000	024-27062-000
			575 (58)	024-27011-000	024-34417-000
			400 (45)	024-34466-000	N/A
9	3	15	200 (17)	024-23939-000	024-27063-000
			230 (28)	024-23932-000	024-27064-000
			460 (46)	024-23932-000	024-27064-000
			575 (58)	024-27012-000	024-34425-000
			400 (45)	024-34467-000	N/A
9	3	20	200 (17)	024-23940-000	024-27065-000
			230 (28)	024-23933-000	024-27066-000
			460 (46)	024-23933-000	024-27066-000
			575 (58)	024-27013-000	024-34427-000
			400 (45)	024-34468-000	N/A
9	3	25	200 (17)	024-23941-000	024-27067-000
			230 (28)	024-23934-000	024-27068-000
			460 (46)	024-23934-000	024-27068-000
			575 (58)	024-27014-000	024-34430-000
			400 (45)	024-34469-000	N/A
9	3	30	200 (17)	024-26265-000	024-27069-000
			230 (28)	024-23191-000	024-27070-000
			460 (46)	024-23191-000	024-27070-000
			575 (58)	024-27015-000	024-34431-000
			400 (45)	024-34470-000	N/A
9	3	40	200 (17)	024-26266-000	024-27071-000
			230 (28)	024-23195-000	024-27072-000
			460 (46)	024-32195-000	024-27072-000
			575 (58)	024-27016-000	024-34435-000
			400 (45)	024-34471-000	N/A

TABLE 10B - EXHAUST FAN MOTORS (TEFC)

FIGURE	ITEM	MOTOR HP	VOLTAGE (VOLT/)	HIGH EFFICIENCY PART NUMBER	PREMIUM EFFICIENCY PART NUMBER
9	3	7	200 (17)	024-23923-000	024-27085-000
			230 (28)	024-23916-000	024-27086-000
			460 (46)	024-23916-000	024-27086-000
			575 (58)	024-27042-000	024-27312-000
			400 (45)	024-34464-000	N/A
9	3	10	200 (17)	024-23924-000	024-27087-000
			230 (28)	024-23917-000	024-27088-000
			460 (46)	024-23917-000	024-27088-000
			575 (58)	024-27043-000	024-27313-000
			400 (45)	024-26221-000	N/A
9	3	15	200 (17)	024-23925-000	024-27089-000
			230 (28)	024-23918-000	024-27090-000
			460 (46)	024-23918-000	024-27090-000
			575 (58)	024-27044-000	024-27314-000
			400 (45)	024-26252-000	N/A
9	3	20	200 (17)	024-34426-000	024-27097-000
			230 (28)	024-23919-000	024-27098-000
			460 (46)	024-23919-000	024-27098-000
			575 (58)	024-27045-000	024-34428-000
			400 (45)	024-34822-000	N/A
9	3	25	200 (17)	024-34429-000	024-27099-000
			230 (28)	024-23920-000	024-27300-000
			460 (46)	024-23920-000	024-27300-000
			575 (58)	024-27046-000	024-27316-000
			400 (45)	024-34823-000	N/A
9	3	30	200 (17)	024-26271-000	024-34433-000
			230 (28)	024-26282-000	024-27301-000
			460 (46)	024-26282-000	024-27301-000
			575 (58)	024-27047-000	024-34432-000
			400 (45)	024-34824-000	N/A
9	3	40	200 (17)	024-34434-000	024-34437-000
			230 (28)	024-26283-000	024-27302-000
			460 (46)	024-26283-000	024-27302-000
			575 (58)	024-27048-000	024-34436-000
			400 (45)	024-34825-000	N/A

TABLE 11 - EXHAUST FAN MOTOR BASE KITS

FIGURE	MOTOR HP	DESCRIPTION	PART NUMBER
11	7.5	EXHAUST FAN MOTOR BASE KIT	385-20038-102
11	10	EXHAUST FAN MOTOR BASE KIT	385-20038-102
11	15	EXHAUST FAN MOTOR BASE KIT	385-20038-101
11	20	EXHAUST FAN MOTOR BASE KIT	385-20038-101
11	25	EXHAUST FAN MOTOR BASE KIT	385-20038-102
11	30	EXHAUST FAN MOTOR BASE KIT	385-20038-102
11	40	EXHAUST FAN MOTOR BASE KIT	385-20038-101
11	15-75	MOTOR BASE MOUNTING KIT	385-20038-501

FIGURE	ITEM	MOTOR BASE KIT (385-20038-101)	PART NUMBER
11	1	BASE, MOTOR, 15 / 20 / 40	085-20038-018
11	2	STIF, MOTOR BASE	085-20038-017
11	3	ANGLE, MOTOR BASE ADJ	085-20038-016
11	4	BLOCK, MOTOR BASE	021-19558-000
11	5	SCREW, HC, GR-2, PLTD, 5-13_9	021-19556-000

FIGURE	ITEM	MOTOR BASE KIT (385-20038-102)	PART NUMBER
11	1	BASE, MOTOR, 7.5 / 10 / 25 / 30	085-20038-015
11	2	STIF, MOTOR BASE	085-20038-017
11	3	ANGLE, MOTOR BASE ADJ	085-20038-016
11	4	BLOCK, MOTOR BASE	021-19558-000
11	5	SCREW, HC, GR-2, PLTD, 5-13_9	021-19556-000

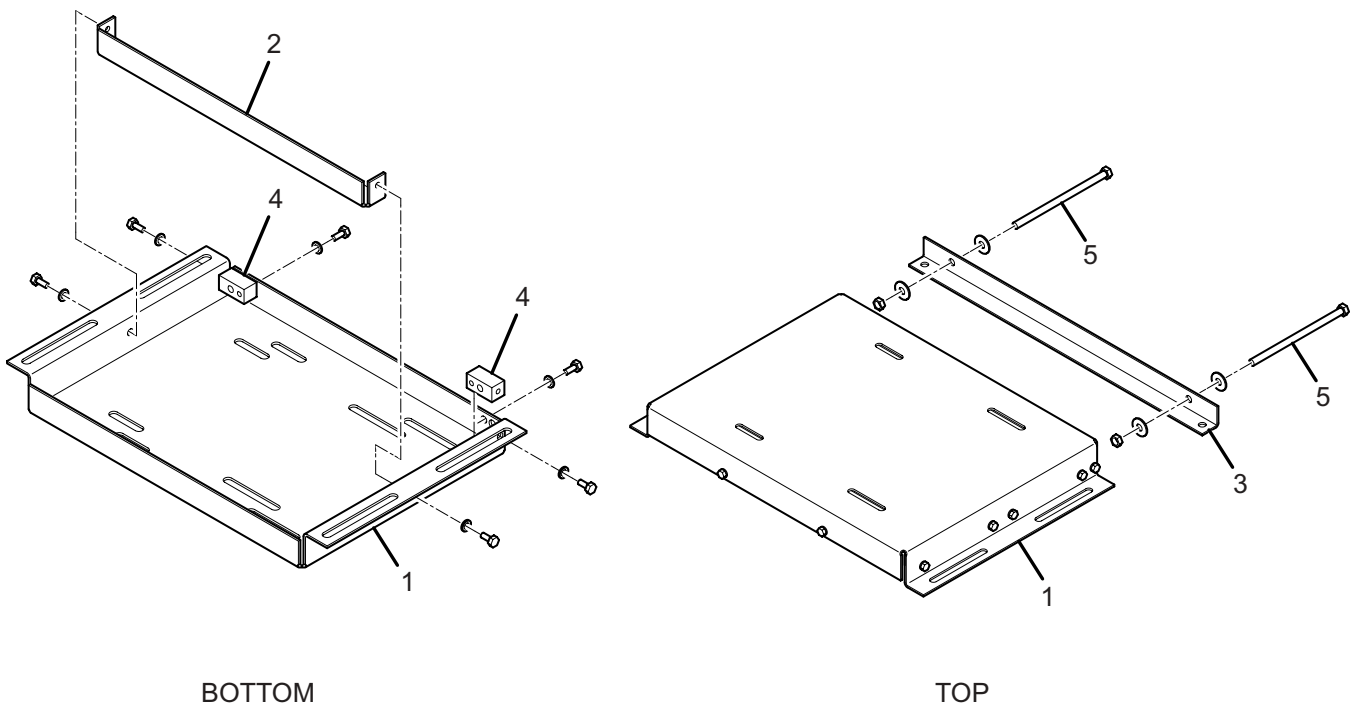
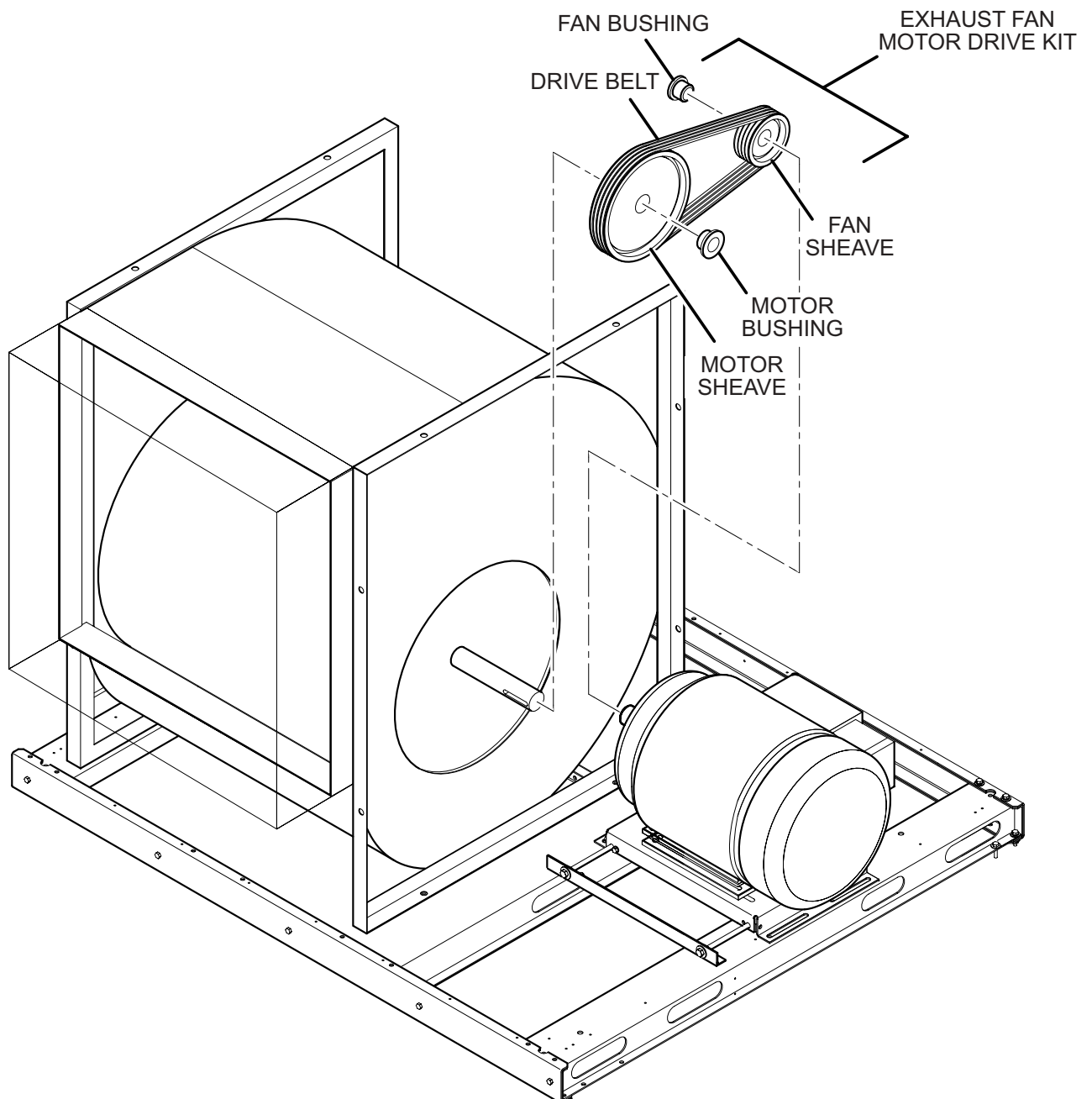


FIG. 11 - EXHAUST FAN MOTOR BASE KITS

LD11617

TABLE 12 - EXHAUST FAN MOTOR DRIVE KITS**NOTE:**

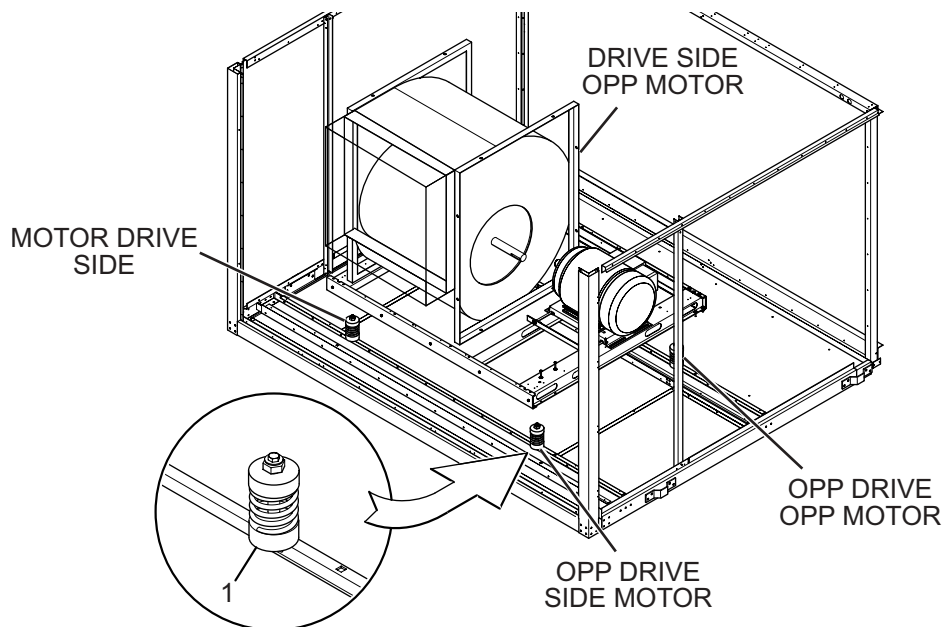
Procure replacement drive components locally. A drive label, affixed to the to the exhaust fan, lists the drive specifications. However due to the possible changes in the field, replacement parts must be verified against installed parts since the installed parts may not match the label.

**FIG. 12 - EXHAUST FAN MOTOR DRIVE KITS**

LD11296

TABLE 13 - EXHAUST FAN 2" SPRING ISOLATORS

FIG	ITEM	HP	DESCRIPTION	PART NUMBER	COLOR
13	1	7	DRIVE SIDE OPP MOTOR	029-21330-604	PURPLE
13	1	7	OPP DRIVE OPP MOTOR	029-21330-605	BROWN
13	1	7	MOTOR DRIVE SIDE	029-21330-606	RED
13	1	7	OPP DRIVE SIDE MOTOR	029-21330-606	RED
13	1	10	DRIVE SIDE OPP MOTOR	029-21330-604	PURPLE
13	1	10	OPP DRIVE OPP MOTOR	029-21330-605	BROWN
13	1	10	MOTOR DRIVE SIDE	029-21330-606	RED
13	1	10	OPP DRIVE SIDE MOTOR	029-21330-606	RED
13	1	15	DRIVE SIDE OPP MOTOR	029-21330-604	PURPLE
13	1	15	OPP DRIVE OPP MOTOR	029-21330-605	BROWN
13	1	15	MOTOR DRIVE SIDE	029-21330-606	RED
13	1	15	OPP DRIVE SIDE MOTOR	029-21330-606	RED
13	1	20	DRIVE SIDE OPP MOTOR	029-21330-604	PURPLE
13	1	20	OPP DRIVE OPP MOTOR	029-21330-605	BROWN
13	1	20	MOTOR DRIVE SIDE	029-21330-606	RED
13	1	20	OPP DRIVE SIDE MOTOR	029-21330-606	RED
13	1	25	DRIVE SIDE OPP MOTOR	029-21330-604	PURPLE
13	1	25	OPP DRIVE OPP MOTOR	029-21330-606	RED
13	1	25	MOTOR DRIVE SIDE	029-21330-606	RED
13	1	25	OPP DRIVE SIDE MOTOR	029-21330-606	RED
13	1	30	DRIVE SIDE OPP MOTOR	029-21330-604	PURPLE
13	1	30	OPP DRIVE OPP MOTOR	029-21330-606	RED
13	1	30	MOTOR DRIVE SIDE	029-21330-606	RED
13	1	30	OPP DRIVE SIDE MOTOR	029-21330-606	RED
13	1	40	DRIVE SIDE OPP MOTOR	029-21330-604	PURPLE
13	1	40	OPP DRIVE OPP MOTOR	029-21330-607	RED/BLACK
13	1	40	MOTOR DRIVE SIDE	029-21330-607	RED/BLACK
13	1	40	OPP DRIVE SIDE MOTOR	029-21330-607	RED/BLACK

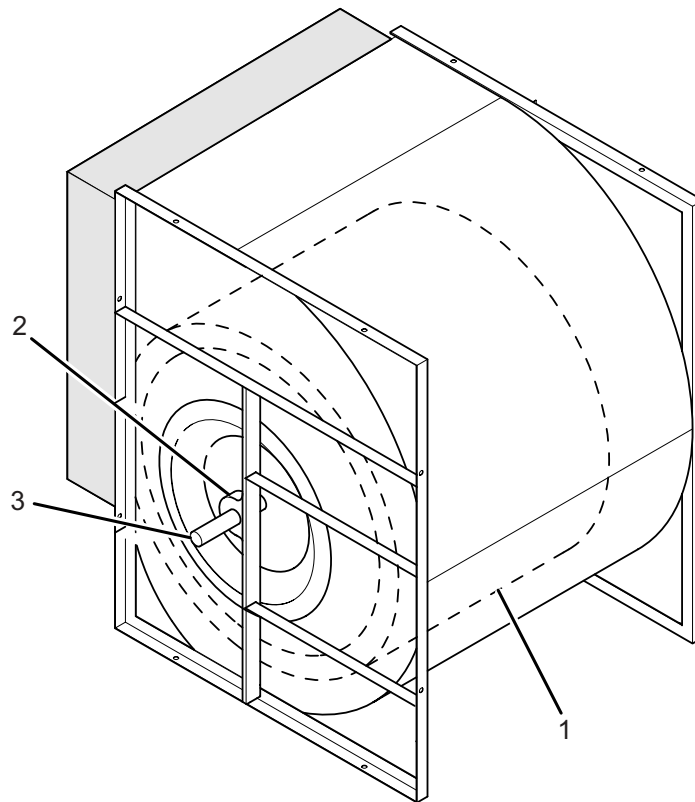


LD11179

FIG. 13 - EXHAUST FAN 2" SPRING ISOLATORS

TABLE 14 - EXHAUST FAN REPLACEMENT PARTS

FIGURE	ITEM	FAN	DESCRIPTION	PART NUMBER
14	1	026-36312-132 (32 X 32 CLASS 1)	WHEEL	026-43354-000
14	2		BEARINGS	029-25075-000
14	3		SHAFT	029-25074-000



LD11672

FIG. 14 - EXHAUST FAN REPLACEMENT PARTS

TABLE 15 - EXHAUST FAN MOTOR DANFOSS VARIABLE FREQUENCY DRIVES

FIG	ITEM	MOTOR HP	PART NUMBER				
			200V (17)	230V (28)	460V (46)	575V (58)	400V-50 (45)
15	1	7	025-36261-004	025-36261-004	025-36263-004	025-36265-001	025-36263-004
15	1	10	025-36261-005	025-36261-005	025-36263-005	025-36265-002	025-36263-005
15	1	15	025-36261-006	025-36261-006	025-36263-006	025-36265-003	025-36263-006
15	1	20	025-36261-007	025-36261-007	025-36263-007	025-36265-004	025-36263-007
15	1	25	025-36261-008	025-36261-008	025-36263-008	025-36265-005	025-36263-008
15	1	30	025-36261-009	025-36261-009	025-36263-009	025-36265-006	025-36263-009
15	1	40	025-36261-010	025-36261-010	025-36263-010	025-36265-007	025-36263-010
15	1	50	025-36261-011	025-36261-011	025-36263-011	025-36265-008	025-36263-011

NOTE:
DANFOSS VFD Shown.

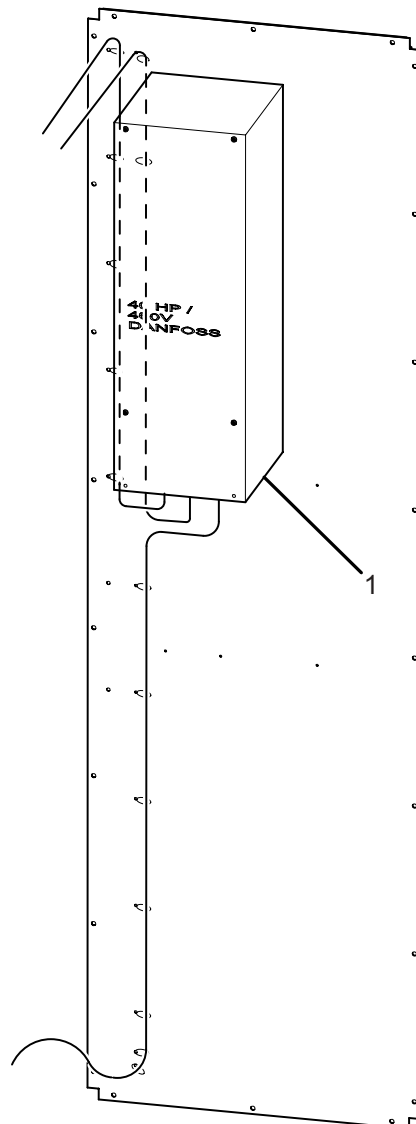


FIG. 15 - EXHAUST FAN MOTOR VARIABLE FREQUENCY DRIVES

LD11294

TABLE 16 - EXHAUST FAN VFD BYPASS PANELS

FIG	ITEM	MOTOR HP	PART NUMBER				
			200V (17)	230V (28)	460V (46)	575V (58)	400V-50 (45)
16	1	7	371-04536-004	371-04536-004	371-04536-002	371-04536-002	371-04536-003
16	1	10	371-04536-005	371-04536-005	371-04536-003	371-04536-002	371-04536-003
16	1	15	371-04536-007	371-04536-007	371-04536-004	371-04536-003	371-04536-005
16	1	20	371-04536-008	371-04536-008	371-04536-004	371-04536-004	371-04536-006
16	1	25	371-04536-009	371-04536-009	371-04536-005	371-04536-005	371-04536-007
16	1	30	371-04536-010	371-04536-010	371-04536-006	371-04536-006	371-04536-008
16	1	40	371-04536-011	371-04536-010	371-04536-007	371-04536-007	371-04536-009

NOTE:
 DANFOSS VFD Shown.
 Exhaust Fan VFD Bypass Panel Replacement Parts can be found on TABLE 17.

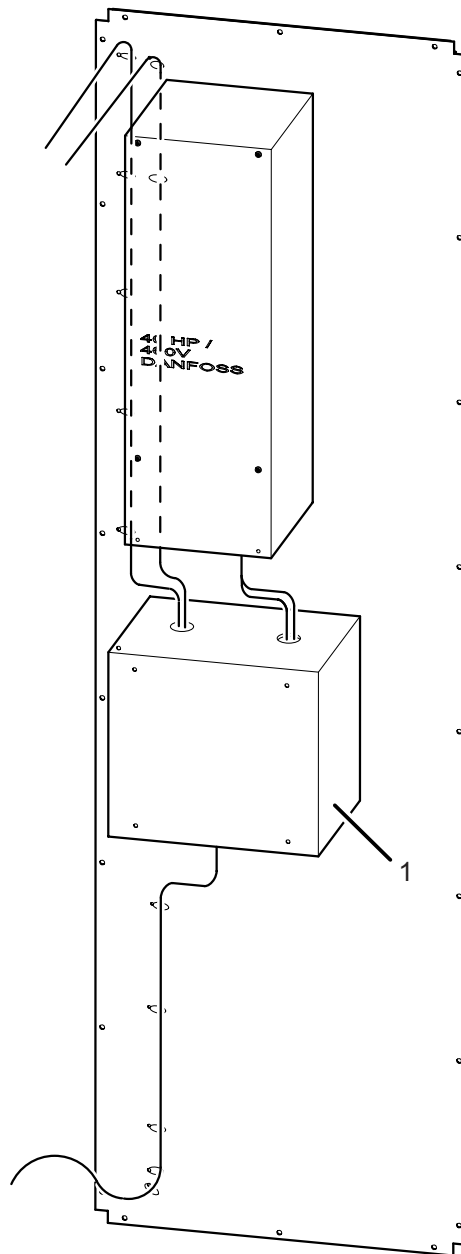


FIG. 16 - EXHAUST FAN VFD BYPASS PANELS

TABLE 17 - EXHAUST FAN VFD BYPASS PANEL REPLACEMENT PARTS

FIGURE	ITEM	VFD BYPASS PANEL (371-04536-002)	PART NUMBER	QTY.
17A	1	CONTACTOR, 3P-18A	024-34304-000	2
17A	2	MECHANICAL INTERLOCK	024-34311-000	1
17A	3	SURGE SUPPRESSOR	031-02104-000	2
17A	4	OVERLOAD RELAY	024-34322-000	1
17A	5	GROUND LUG, CU	025-34455-000	3

FIGURE	ITEM	VFD BYPASS PANEL (371-04536-003)	PART NUMBER	QTY.
17A	1	CONTACTOR, 3P-18A	024-34304-000	2
17A	2	MECHANICAL INTERLOCK	024-34311-000	1
17A	3	SURGE SUPPRESSOR	031-02104-000	2
17A	4	OVERLOAD RELAY	024-34323-000	1
17A	5	GROUND LUG, CU	025-34455-000	3

FIGURE	ITEM	VFD BYPASS PANEL (371-04536-004)	PART NUMBER	QTY.
17A	1	CONTACTOR, 3P-25A	024-34305-000	2
17A	2	MECHANICAL INTERLOCK	024-34311-000	1
17A	3	SURGE SUPPRESSOR	031-02104-000	2
17A	4	OVERLOAD RELAY	024-34324-000	1
17A	5	GROUND LUG, CU	025-34455-000	3

FIGURE	ITEM	VFD BYPASS PANEL (371-04536-005)	PART NUMBER	QTY.
17A	1	CONTACTOR, 3P-32A	024-34306-000	2
17A	2	MECHANICAL INTERLOCK	024-34311-000	1
17A	3	SURGE SUPPRESSOR	031-02104-000	2
17A	4	OVERLOAD RELAY	025-39420-000	1
17A	5	GROUND LUG, CU	025-34455-000	3

FIGURE	ITEM	VFD BYPASS PANEL (371-04536-006)	PART NUMBER	QTY.
17B	1	CONTACTOR, 3P-40A	024-34307-000	2
17B	2	MECHANICAL INTERLOCK	024-34330-000	1
17B	3	SURGE SUPPRESSOR	031-02101-000	2
17B	4	OVERLOAD RELAY	024-34326-000	1
17B	5	GROUND LUG, CU	025-34455-000	3

FIGURE	ITEM	VFD BYPASS PANEL (371-04536-007)	PART NUMBER	QTY.
17B	1	CONTACTOR, 3P-50A	024-34308-000	2
17B	2	MECHANICAL INTERLOCK	024-34330-000	1
17B	3	SURGE SUPPRESSOR	031-02101-000	2
17B	4	OVERLOAD RELAY	024-34327-000	1
17B	5	GROUND LUG, CU	025-34455-000	3

TABLE 17 (CON'T) - EXHAUST FAN VFD BYPASS PANEL REPLACEMENT PARTS

FIGURE	ITEM	VFD BYPASS PANEL (371-04536-008)	PART NUMBER	QTY.
17B	1	CONTACTOR, 3P-65A	024-34309-000	2
17B	2	MECHANICAL INTERLOCK	024-34330-000	1
17B	3	SURGE SUPPRESSOR	031-02101-000	2
17B	4	OVERLOAD RELAY	024-34328-000	1
17B	5	GROUND LUG, CU	024-34455-000	3

FIGURE	ITEM	VFD BYPASS PANEL (371-04536-009)	PART NUMBER	QTY.
17B	1	CONTACTOR, 3P-80A	024-34310-000	2
17B	2	MECHANICAL INTERLOCK	024-34330-000	1
17B	3	SURGE SUPPRESSOR	031-02101-000	2
17B	4	OVERLOAD RELAY	025-39421-000	1
17B	5	GROUND LUG, CU	025-34455-000	3

FIGURE	ITEM	VFD BYPASS PANEL (371-04536-010)	PART NUMBER	QTY.
17C	1	CONTACTOR, 3P-A110	024-31110-000	2
17C	2	MECHANICAL INTERLOCK	024-31601-000	1
17C	3	SURGE SUPPRESSOR	031-02203-000	2
17C	4	OVERLOAD RELAY	024-33133-000	1
17C	5	GROUND LUG, CU	025-34455-000	3

FIGURE	ITEM	VFD BYPASS PANEL (371-04536-011)	PART NUMBER	QTY.
17D	1	CONTACTOR, 3P-A145	024-31891-000	2
17D	2	MECHANICAL INTERLOCK	024-34623-000	1
17D	3	SURGE SUPPRESSOR	031-02203-000	2
17D	4	OVERLOAD RELAY	025-39422-000	1
17D	5	GROUND LUG, CU	025-34088-000	3

FIGURE	ITEM	VFD BYPASS COMMON PARTS (ALL)	PART NUMBER	QTY.
17	6	VCI EMITTER 5CUB	026-37705-000	1
17	7	SELECTOR SWITCH	025-39414-000	1
17	8	N/O CONTACT BLOCK	025-39415-000	2
17	9	CONTROL RELAY	024-31635-000	1
17	10	SURGE SUPPRESSOR	031-02107-000	1

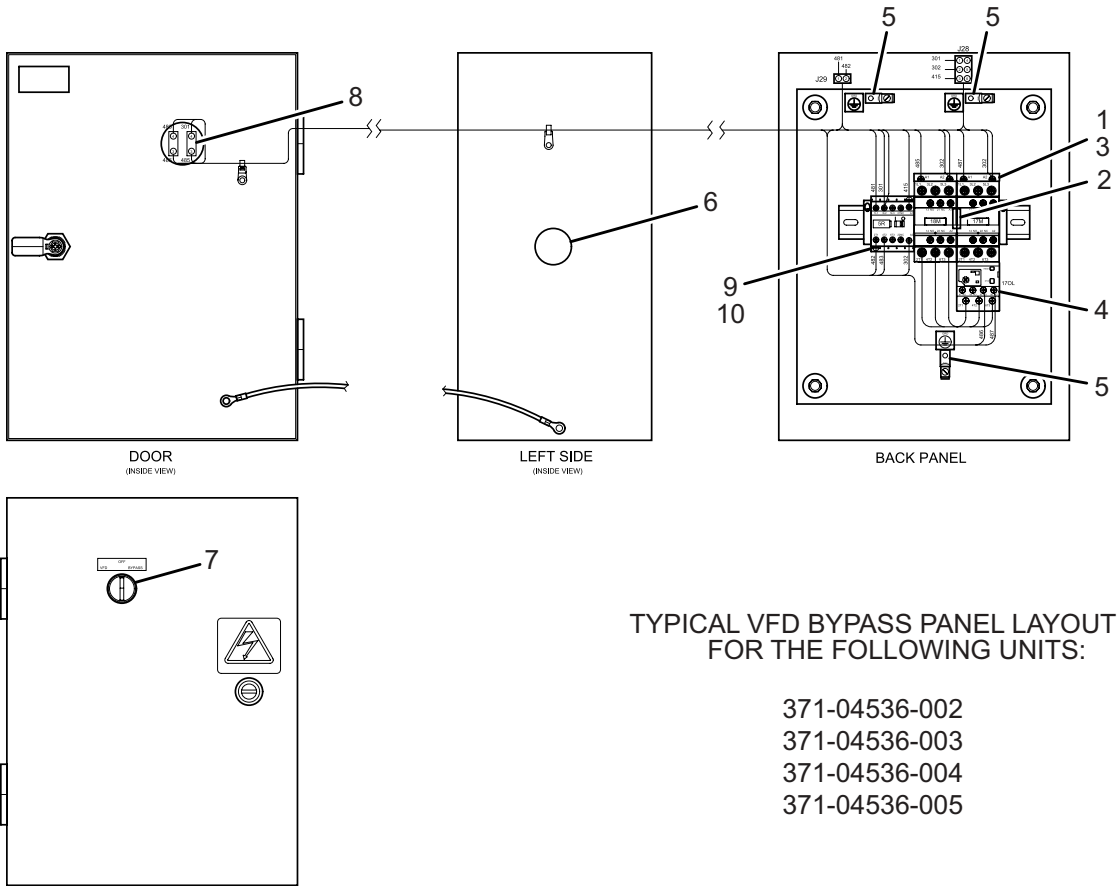


FIG. 17A - EXHAUST FAN VFD BYPASS PANEL REPLACEMENT PARTS

LD11621

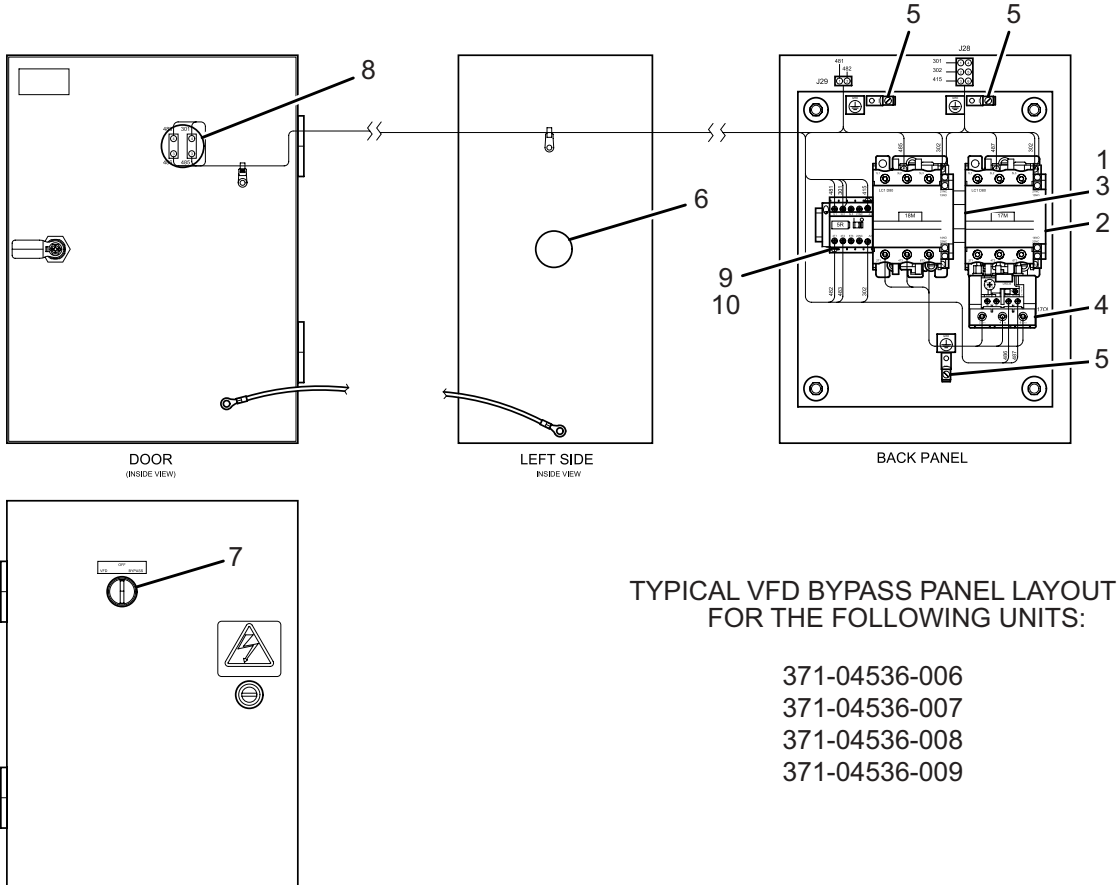
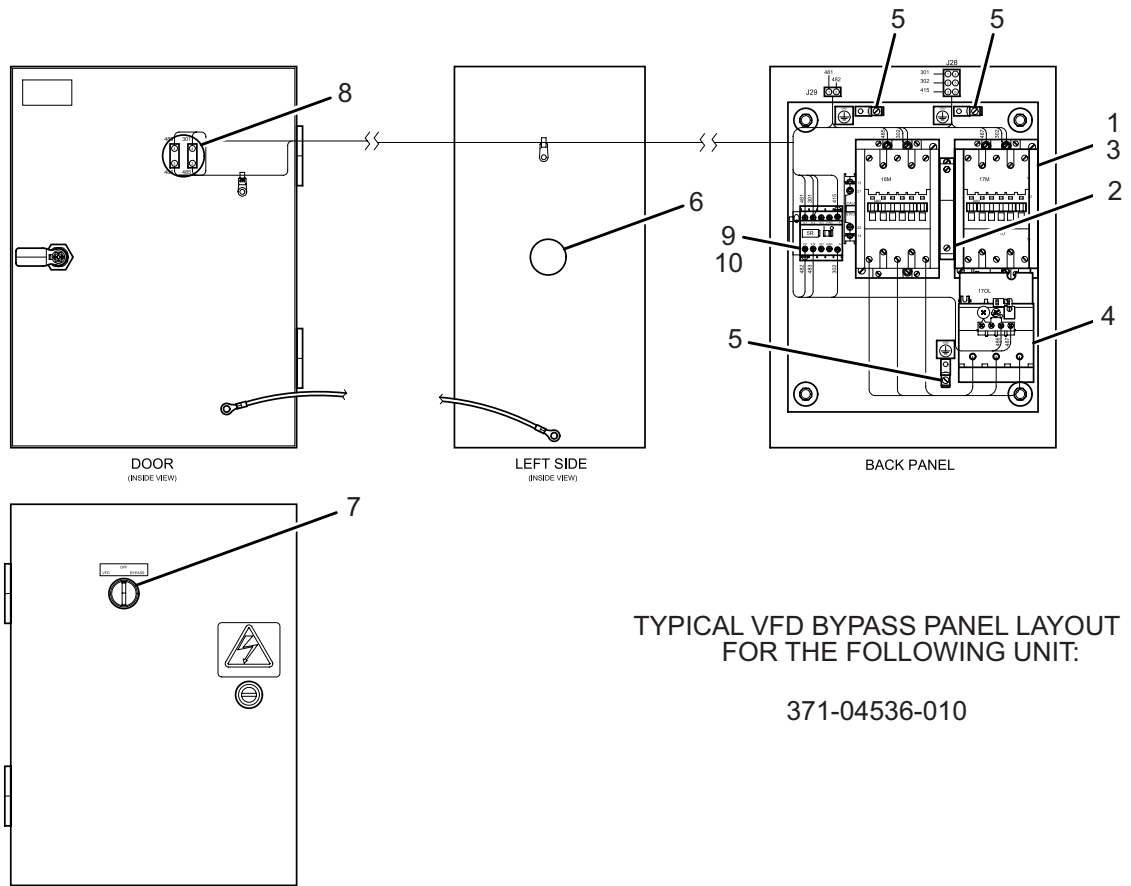


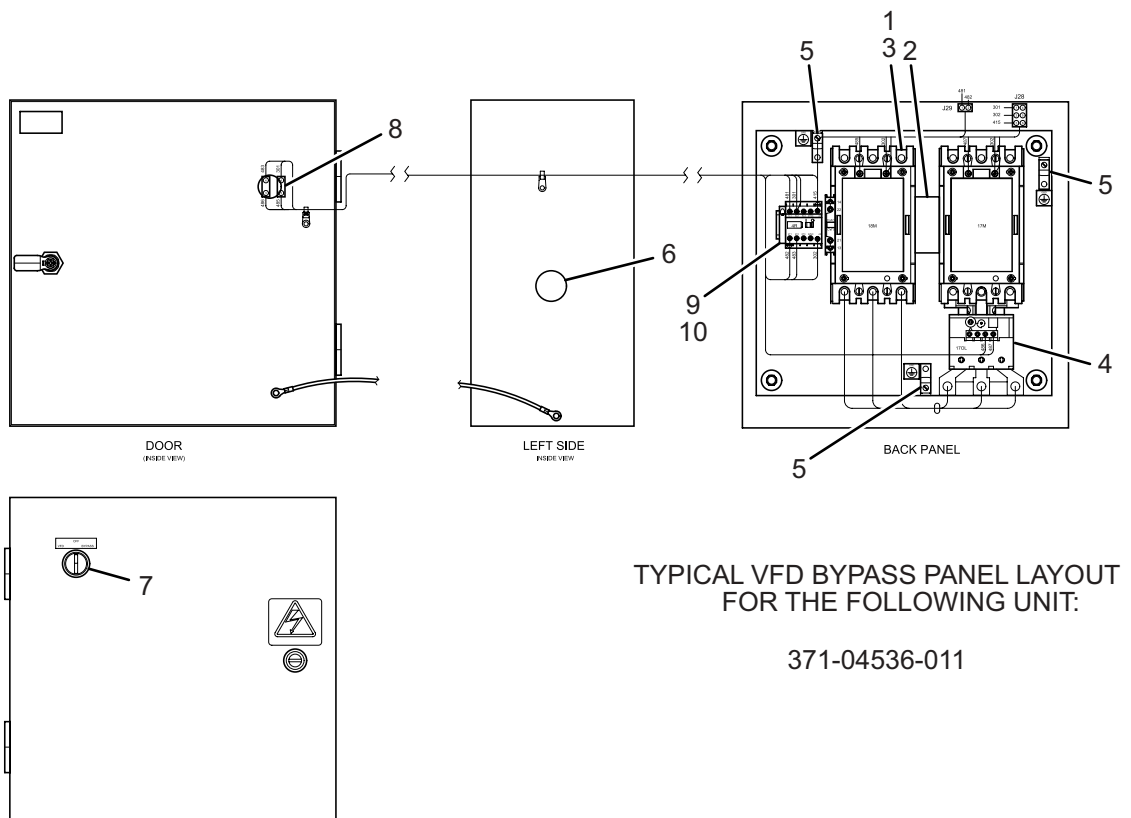
FIG. 17B - EXHAUST FAN VFD BYPASS PANEL REPLACEMENT PARTS

LD11622



LD11623

FIG. 17C - EXHAUST FAN VFD BYPASS PANEL REPLACEMENT PARTS



LD11624

FIG. 17D - EXHAUST FAN VFD BYPASS PANEL REPLACEMENT PARTS

TABLE 18 - RETURN FAN & FAN SKID ASSEMBLY

FIGURE	ITEM	DESCRIPTION	PART NUMBER
18	1	FAN SKID ASSEMBLY, 44	385-20035-301
18	2	FAN, 445-SWSI, A/3VS, CLS 2	026-41828-244
18	4	RAIL, SPRING END	085-20035-064
18	5	RAIL ,END INNER	085-20035-065
18	6	RAIL, END OUTER	085-20035-066
18	7	FLEX, DUCT	026-28242-001

NOTE:

Item # 2 is included within item # 1 (385-20035-301).

Return Fan Motor and Motor Base Kit are NOT Included within item # 1 (385-20035-301).

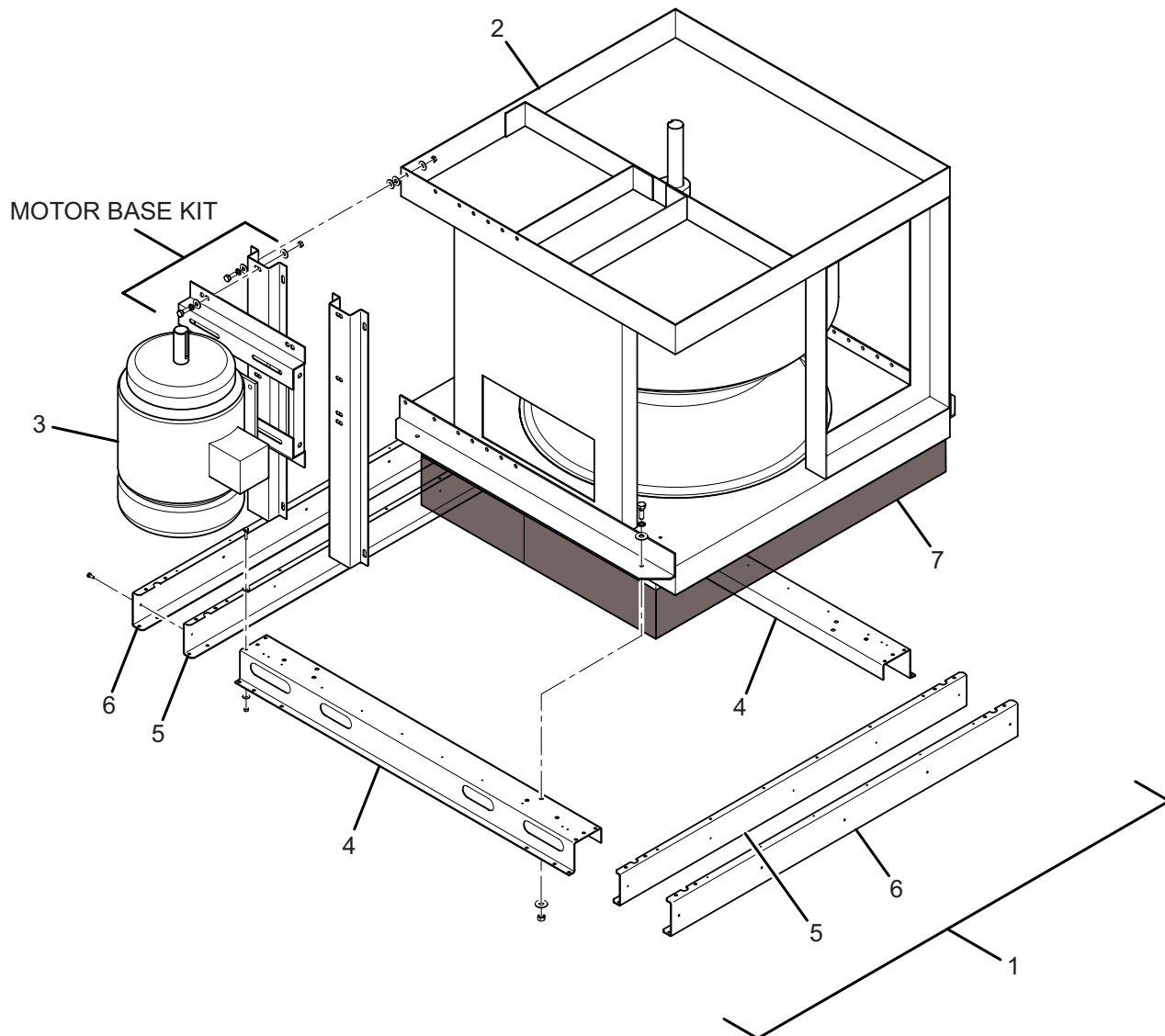
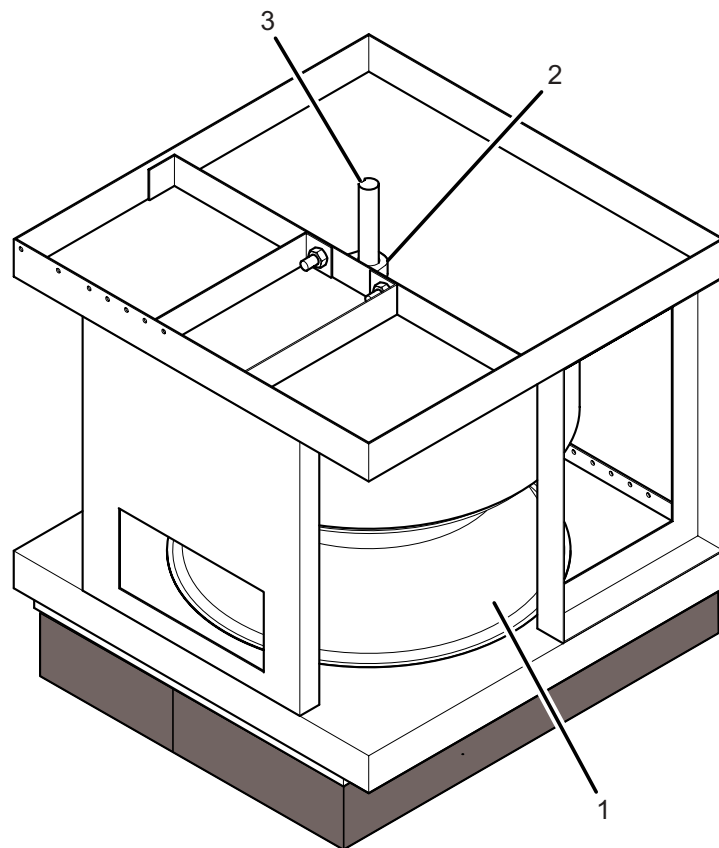


FIG. 18 - RETURN FAN & FAN SKID ASSEMBLY

LD11630

TABLE 19 - RETURN FAN REPLACEMENT PARTS

FIGURE	ITEM	FAN	DESCRIPTION	PART NUMBER
19	1	026-41828-244	WHEEL	026-43356-000
19	2		BEARINGS - DRIVE SIDE	029-25079-000
19	2		BEARINGS - INLET SIDE	029-25080-000
19	3		SHAFT	029-25078-000



LD11673

FIG. 19 - RETURN FAN REPLACEMENT PARTS

TABLE 20A - RETURN FAN MOTORS (ODP)

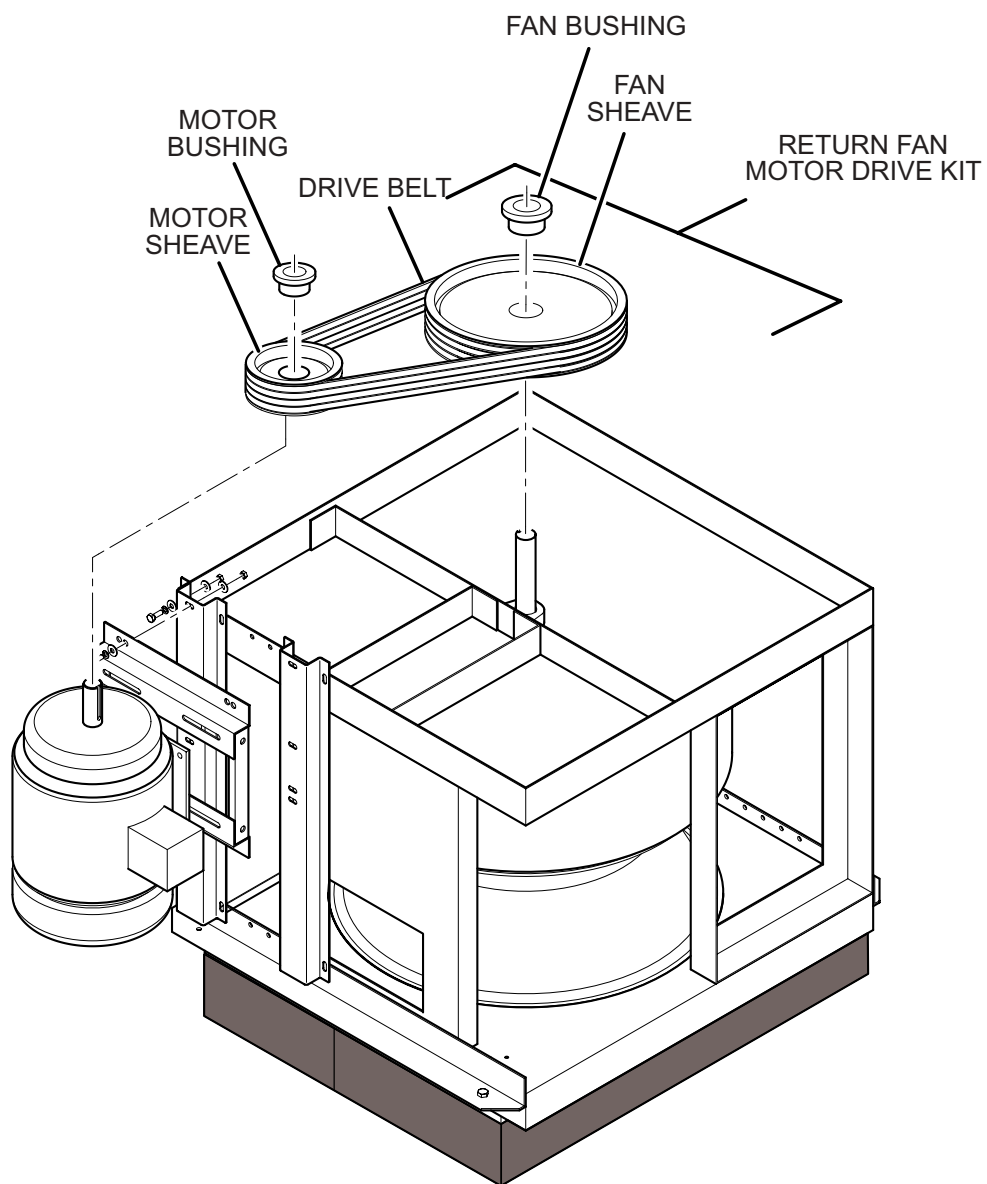
FIGURE	ITEM	MOTOR HP	VOLTAGE (VOLT/)	HIGH EFFICIENCY PART NUMBER	PREMIUM EFFICIENCY PART NUMBER
18	3	10	200 (17)	024-23938-000	024-27060-000
			230 (28)	024-23931-000	024-27062-000
			460 (46)	024-23931-000	024-27062-000
			575 (58)	024-27011-000	024-34417-000
			400 (45)	024-34466-000	N/A
18	3	15	200 (17)	024-23939-000	024-27063-000
			230 (28)	024-23932-000	024-27064-000
			460 (46)	024-23932-000	024-27064-000
			575 (58)	024-27012-000	024-34425-000
			400 (45)	024-34467-000	N/A
18	3	20	200 (17)	024-23940-000	024-27065-000
			230 (28)	024-23933-000	024-27066-000
			460 (46)	024-23933-000	024-27066-000
			575 (58)	024-12282-000	024-34427-000
			400 (45)	024-34468-000	N/A
18	3	25	200 (17)	024-23941-000	024-27067-000
			230 (28)	024-23934-000	024-27068-000
			460 (46)	024-23934-000	024-27068-000
			575 (58)	024-27014-000	024-34430-000
			400 (45)	024-34469-000	N/A
18	3	30	200 (17)	024-26625-000	024-27069-000
			230 (28)	024-23191-000	024-27070-000
			460 (46)	024-23191-000	024-27070-000
			575 (58)	024-27015-000	024-34431-000
			400 (45)	024-34470-000	N/A
18	3	40	200 (17)	024-26266-000	024-27071-000
			230 (28)	024-23195-000	024-27072-000
			460 (46)	024-23195-000	024-27072-000
			575 (58)	024-27016-000	024-34435-000
			400 (45)	024-34471-000	N/A
18	3	50	200 (17)	024-14920-000	024-27073-000
			230 (28)	024-23196-000	024-27074-000
			460 (46)	024-23196-000	024-27074-000
			575 (58)	024-27016-000	024-34439-000
			400 (45)	024-34472-000	N/A

TABLE 20B - RETURN FAN MOTORS (TEFC)

FIGURE	ITEM	MOTOR HP	VOLTAGE (VOLT/)	HIGH EFFICIENCY PART NUMBER	PREMIUM EFFICIENCY PART NUMBER
18	3	10	200 (17)	024-23924-000	024-27087-000
			230 (28)	024-23917-000	024-27088-000
			460 (46)	024-23917-000	024-27088-000
			575 (58)	024-27043-000	024-27313-000
			400 (45)	024-26221-000	N/A
18	3	15	200 (17)	024-23925-000	024-27089-000
			230 (28)	024-23918-000	024-27090-000
			460 (46)	024-23918-000	024-27090-000
			575 (58)	024-27044-000	024-27314-000
			400 (45)	024-26252-000	N/A
18	3	20	200 (17)	024-34426-000	024-27097-000
			230 (28)	024-23919-000	024-27098-000
			460 (46)	024-23919-000	024-27098-000
			575 (58)	024-27045-000	024-34428-000
			400 (45)	024-34822-000	N/A
18	3	25	200 (17)	024-34429-000	024-27099-000
			230 (28)	024-23920-000	024-27300-000
			460 (46)	024-23920-000	024-27300-000
			575 (58)	024-27046-000	024-27316-000
			400 (45)	024-34823-000	N/A
18	3	30	200 (17)	024-26271-000	024-34433-000
			230 (28)	024-26282-000	024-37301-000
			460 (46)	024-26282-000	024-37301-000
			575 (58)	024-27047-000	024-27301-000
			400 (45)	024-34824-000	N/A
18	3	40	200 (17)	024-34434-000	024-27301-000
			230 (28)	024-26283-000	024-27302-000
			460 (46)	024-26283-000	024-27302-000
			575 (58)	024-27048-000	024-34436-000
			400 (45)	024-34825-000	N/A
18	3	50	200 (17)	024-34438-000	024-34441-000
			230 (28)	024-26284-000	024-27303-000
			460 (46)	024-26284-000	024-27303-000
			575 (58)	024-27049-000	024-34440-000
			400 (45)	024-34826-000	N/A

TABLE 21 - RETURN FAN MOTOR DRIVE KITS - BOTTOM RETURN**NOTE:**

Procure replacement drive components locally. A drive label, affixed to the return fan, lists the drive specifications. However due to the possible changes in the field, replacement parts must be verified against installed parts since the installed parts may not match the label.

**FIG. 21 - RETURN FAN MOTOR DRIVE KITS - BOTTOM RETURN**

LD11295

TABLE 23 - RETURN FAN SPRING ISOLATORS

FIG	ITEM	HP	DESCRIPTION	PART NUMBER	COLOR
23	1	10	DRIVE SIDE OPP MOTOR	029-21330-606	RED
23	1	10	OPP DRIVE OPP MOTOR	029-21330-605	BROWN
23	1	10	MOTOR DRIVE SIDE	029-21330-607	RED/BLACK
23	1	10	OPP DRIVE SIDE MOTOR	029-21330-605	BROWN
23	1	15	DRIVE SIDE OPP MOTOR	029-21330-606	RED
23	1	15	OPP DRIVE OPP MOTOR	029-21330-605	BROWN
23	1	15	MOTOR DRIVE SIDE	029-21330-608	RED/GREEN
23	1	15	OPP DRIVE SIDE MOTOR	029-21330-605	BROWN
23	1	20	DRIVE SIDE OPP MOTOR	029-21330-606	RED
23	1	20	OPP DRIVE OPP MOTOR	029-21330-605	BROWN
23	1	20	MOTOR DRIVE SIDE	029-21330-608	RED/GREEN
23	1	20	OPP DRIVE SIDE MOTOR	029-21330-605	BROWN
23	1	25	DRIVE SIDE OPP MOTOR	029-21330-606	RED
23	1	25	OPP DRIVE OPP MOTOR	029-21330-605	BROWN
23	1	25	MOTOR DRIVE SIDE	029-21330-608	RED/GREEN
23	1	25	OPP DRIVE SIDE MOTOR	029-21330-605	BROWN
23	1	30	DRIVE SIDE OPP MOTOR	029-21330-606	RED
23	1	30	OPP DRIVE OPP MOTOR	029-21330-605	BROWN
23	1	30	MOTOR DRIVE SIDE	029-21330-608	RED/GREEN
23	1	30	OPP DRIVE SIDE MOTOR	029-21330-605	BROWN
23	1	40	DRIVE SIDE OPP MOTOR	029-21330-606	RED
23	1	40	OPP DRIVE OPP MOTOR	029-21330-605	BROWN
23	1	40	MOTOR DRIVE SIDE	029-21330-609	RED/GREY
23	1	40	OPP DRIVE SIDE MOTOR	029-21330-605	BROWN
23	1	50	DRIVE SIDE OPP MOTOR	029-21330-606	RED
23	1	50	OPP DRIVE OPP MOTOR	029-21330-605	BROWN
23	1	50	MOTOR DRIVE SIDE	029-21330-609	RED/GREY
23	1	50	OPP DRIVE SIDE MOTOR	029-21330-605	BROWN

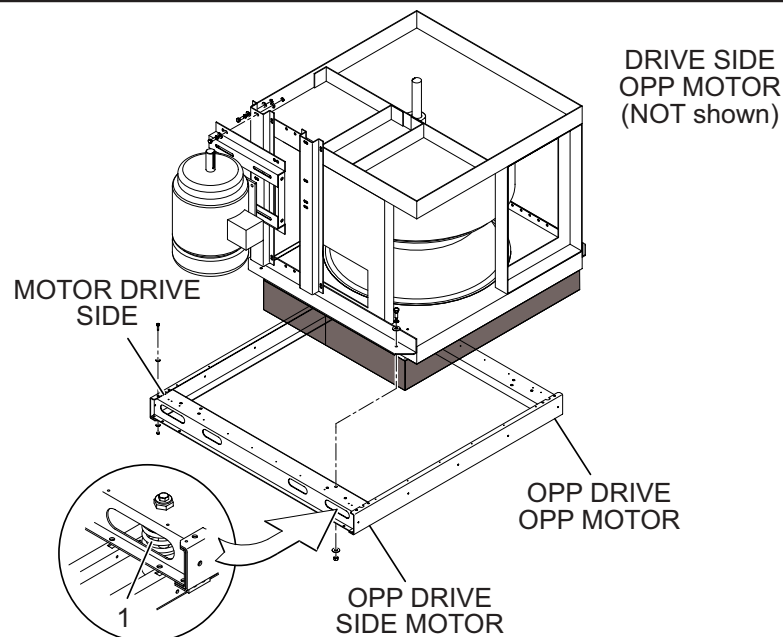


FIG. 23 - RETURN FAN SPRING ISOLATORS

LD11631

TABLE 24 - RETURN FAN MOTOR DANFOSS VARIABLE FREQUENCY DRIVES

FIG	ITEM	MOTOR HP	PART NUMBER				
			200V (17)	230V (28)	460V (46)	575V (58)	400V-50 (45)
24	1	10	025-36261-005	025-36261-005	025-36263-005	025-36265-002	025-36263-005
24	1	15	025-36261-006	025-36261-006	025-36263-006	025-36263-003	025-36263-006
24	1	20	025-36261-007	025-36261-007	025-36263-007	025-36263-004	025-36263-007
24	1	25	025-36261-008	025-36261-008	025-36263-008	025-36263-005	025-36263-008
24	1	30	025-36261-009	025-36261-009	025-36263-009	025-36263-006	025-36263-009
24	1	40	025-36261-010	025-36261-010	025-36263-010	025-36263-007	025-36263-010
24	1	50	025-36261-011	025-36261-011	025-36263-011	025-36263-008	025-36263-011

NOTE:
DANFOSS VFD Shown.

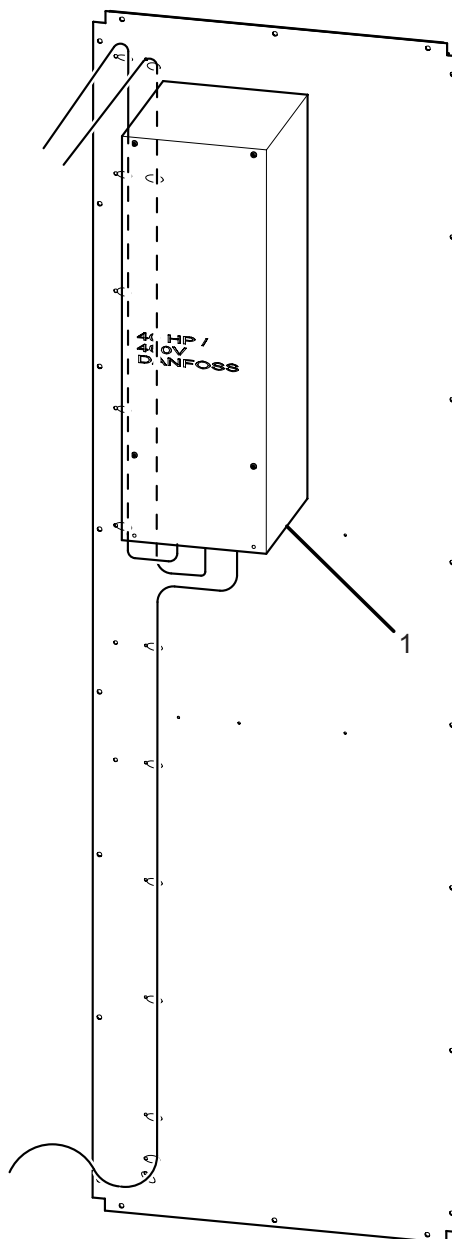


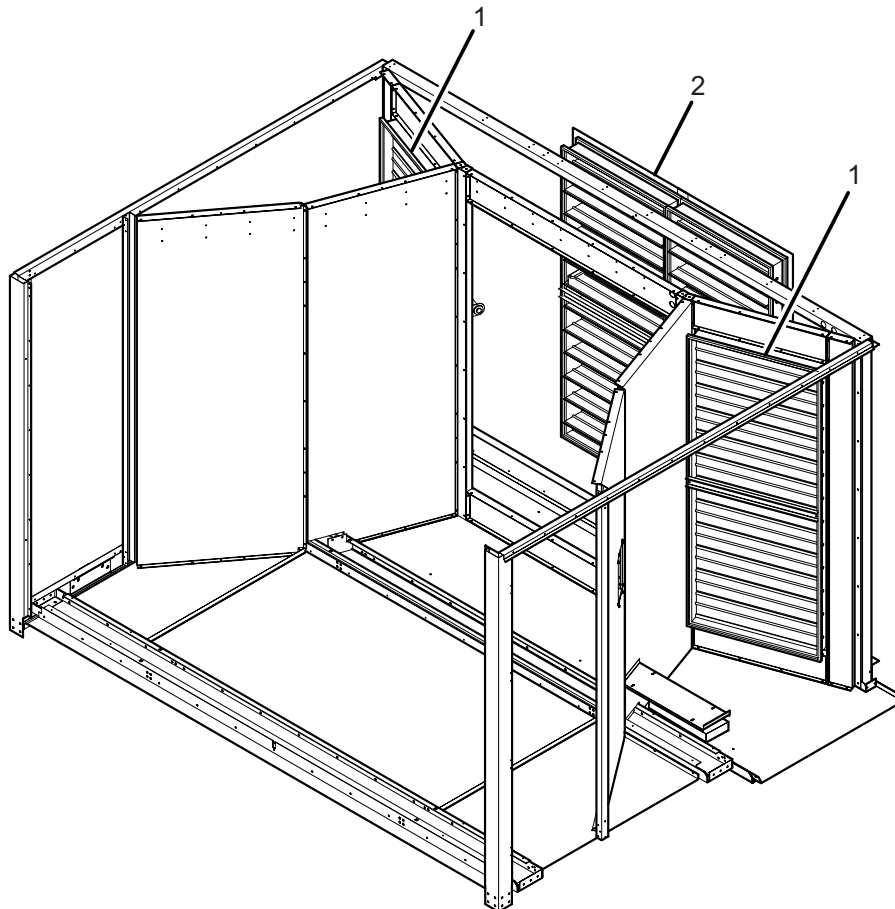
FIG. 24 - RETURN FAN MOTOR VARIABLE FREQUENCY DRIVES

TABLE 25 - ECONOMIZER DAMPERS AND ACTUATORS

FIG	ITEM	TYPE	DESCRIPTION	PART NUMBER	QTY
25	1	MANUAL	MANUAL DAMPER, CD36, 72 X 30	026-41821-000	2
25	3	MANUAL	HANDCRANK, MANUAL	026-40700-000	2
*	6	MANUAL	FILTER, CLEANABLE, AL, 19.5 X 24.5 X .88	026-41366-060	16
*	7	MANUAL	FILTER, CLEANABLE, AL, 19.5 X 19.5 X .88	026-41366-055	8
25	1	2-POSITION	DAMPER, CD36, 72 X 30	026-41821-000	2
25	4	2-POSITION	ACTUATOR, DAMPER, 0-10V, 133IN-LB	025-30958-009	2
25	5	2-POSITION	BRACKET, ACTUATOR MOUNTING	085-20002-009	2
*	6	2-POSITION	FILTER, CLEANABLE, AL, 19.5 X 24.5 X .88	026-41366-060	16
*	7	2-POSITION	FILTER, CLEANABLE, AL, 19.5 X 19.5 X .88	026-41366-055	8
25	1	ACTUATED	DAMPER, CD36, 72 X 30	026-41821-000	2
25	2	ACTUATED	DAMPER, CD36, 72 X 60	026-41821-001	1
25	4	ACTUATED	ACTUATOR, DAMPER, 0-10V, 133IN-LB	025-30958-009	4
25	5	ACTUATED	BRACKET, ACTUATOR MOUNTING	085-20002-009	4
*	6	ACTUATED	FILTER, CLEANABLE, AL, 19.5 X 24.5 X .88	026-41366-060	16
*	7	ACTUATED	FILTER, CLEANABLE, AL, 19.5 X 19.5 X .88	026-41366-055	8
25	8	2-POS/ACT	JACKSHAFT	CONTACT YORK SERVICE	-
25	9	2-POS/ACT	CRANK ARM		-
25	10	2-POS/ACT	DAMPER LINKAGE		-
25	11	2-POS/ACT	SQUEEZE CLAMP		-

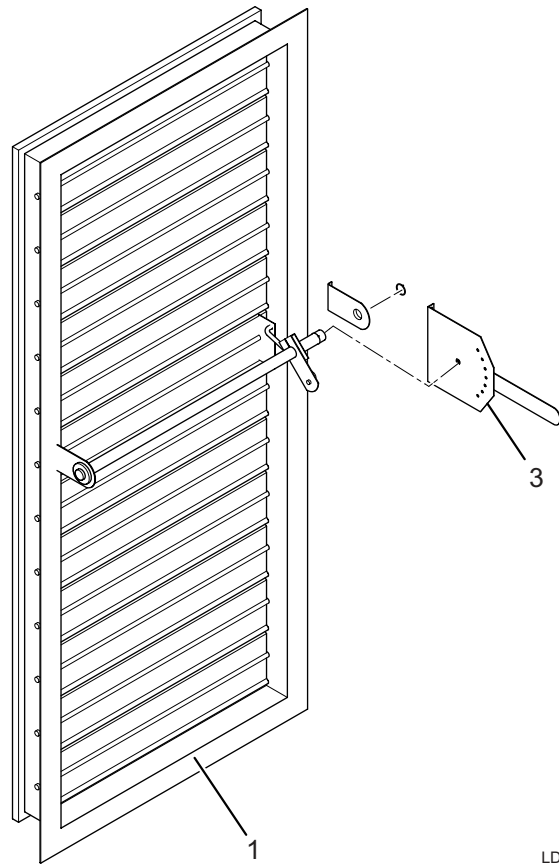
NOTE:

* Items are NOT shown.



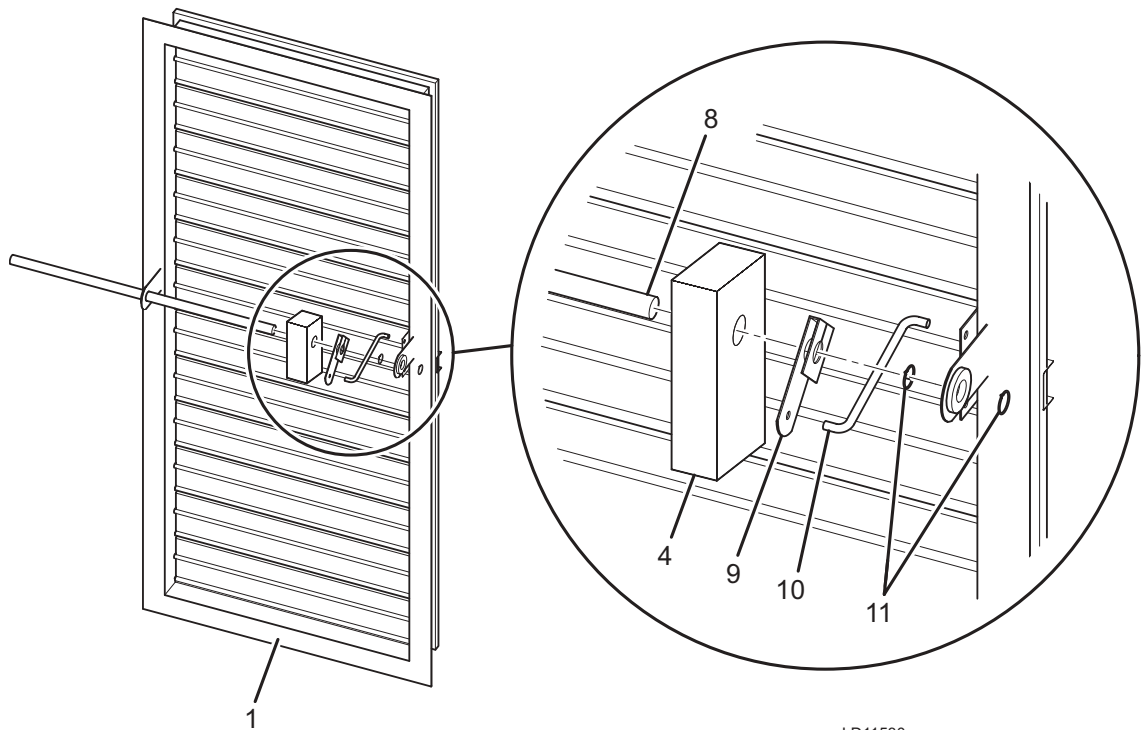
LD11632

FIG. 25 - ECONOMIZER DAMPERS



LD11483

MANUAL DAMPER ASSEMBLY



LD11530

ACTUATED DAMPER ASSEMBLY

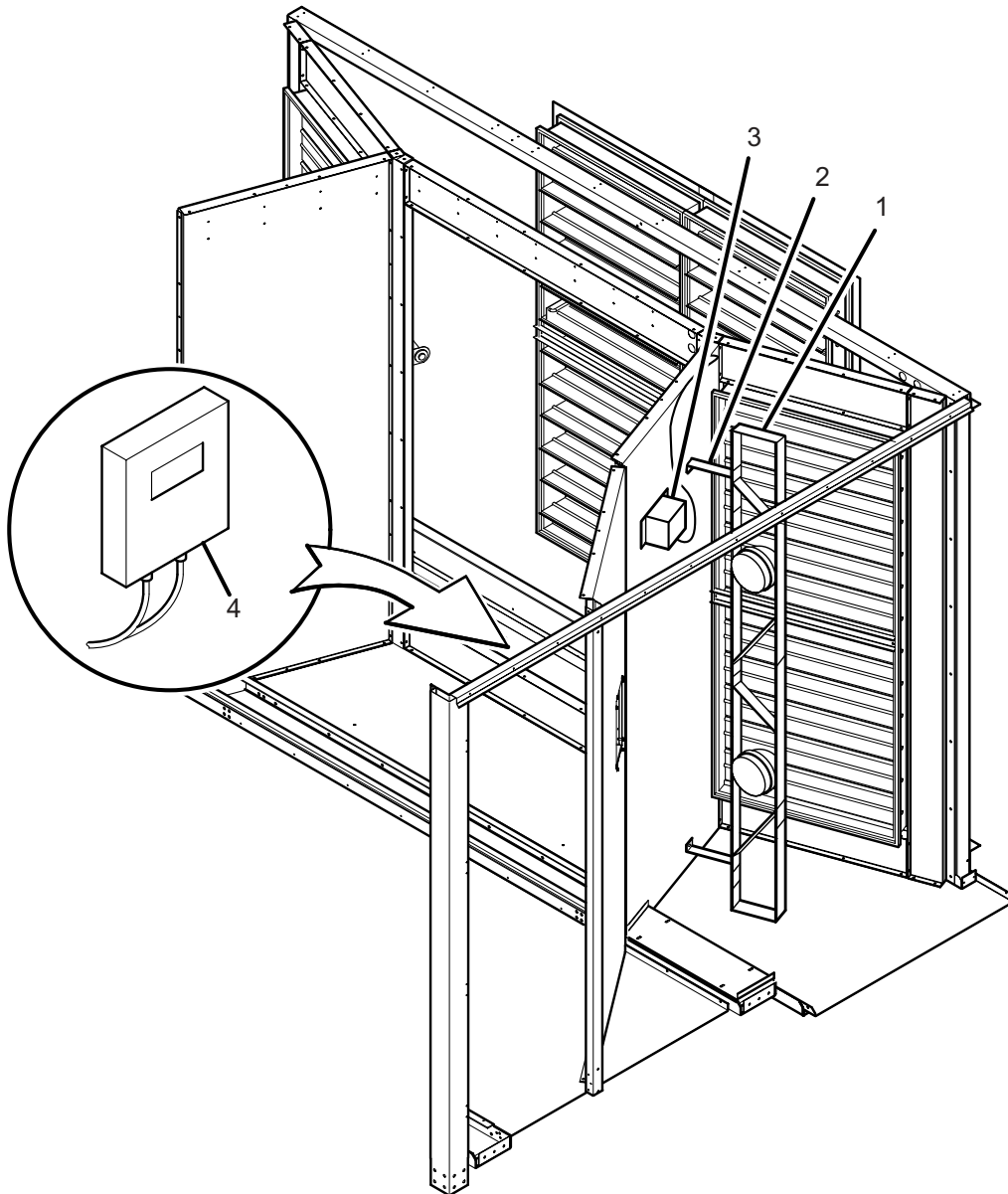
FIG. 25 (CON'T) - ECONOMIZER DAMPERS AND ACTUATORS

TABLE 26 - AIR MEASUREMENT STATION

FIGURE	ITEM	DESCRIPTION	PART NUMBER
26	1	KIT, AMS, YPAL	325-36555-000
26	2	BRACKET, AMS SUPPORT	085-20033-001
26	3	TRANSDUCER	021-30530-001
26	4	AMS MONITOR CABINET	025-36556-000
*	5	RELAY, SPDT, 24 VAC/DC COIL	025-36553-000
*	6	RESISTOR, 250 OHMS, .5W 5%	025-36554-000

NOTE:

* Items are NOT shown.
Items 5 and 6 are located within item 4.

**FIG. 26 - AIR MEASUREMENT STATION**

LD11633

TABLE 27 - FILTERS, ANGLE

FIGURE	ITEM	DESCRIPTION	PART NUMBER	QTY
27	*	FILTER ASSY, ANGLE, 2", FIBERGLASS	385-20006-301	-
27	1	2" FILTER, THROW AWAY 20" X 25"	026-01730-000	8
27	2	2" FILTER, THROW AWAY 16" X 25"	026-03616-000	24
27	*	FILTER ASSY, ANGLE, 2", ALUMINUM	385-20006-302	-
27	1	2" FILTER, CLEANABLE 20" X 25"	026-10451-000	8
27	2	2" FILTER, CLEANABLE 16" X 25"	026-10449-000	24
27	*	FILTER ASSY, ANGLE, 2", 30% PLEATED	385-20006-303	-
27	1	2" FILTER, PLEATED, 20" X 25"	026-21065-000	8
27	2	2" FILTER, PLEATED, 16" X 25"	026-21064-000	24
27	*	FILTER ASSY, ANGLE, 2", 30% CARBON	385-20006-304	-
27	1	2" FILTER, CARBON, 20" X 25"	026-36378-000	8
27	2	2" FILTER, CARBON, 16" X 25"	026-36377-000	24

NOTE:
Typical filter placement for all rows.

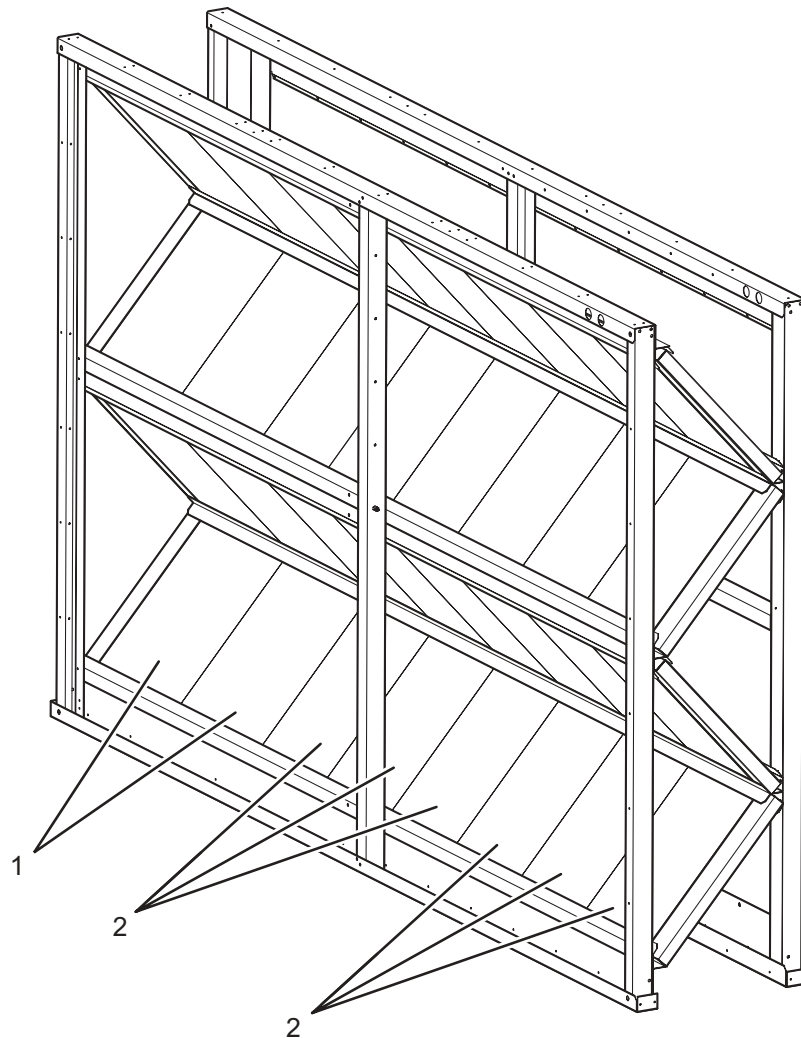


FIG. 27 - FILTERS, ANGLE

TABLE 28 - FILTERS, RIGID

FIGURE	ITEM	DESCRIPTION	PART NUMBER	QTY
28	1	RIGID FILTER ASSEMBLY W/ 2" T-AWAY FIBERGLASS FILTERS	385-20006-305	-
28	2	FILTER, T-AWAY, 20W X 25H, FIBERGLASS	026-01730-000	15
28	3	FILTER, T-AWAY, 16W X 20H, FIBERGLASS	026-03617-000	10
28	1	RIGID FILTER, 12" 60/65 EFF. W/ 2" 30% FIBERGLASS PRE-FILTER	385-20006-306	-
28	2	FILTER, PERFPLT, 30% EFF, 20W X 25H	026-21065-000	15
28	3	FILTER, PERFPLT, 30% EFF, 16W X 20H	026-21062-000	10
28	2	FILTER, VCL, 20W X 25H, 60-65% EFF.	026-36379-000	15
28	3	FILTER, VCL, 16W X 20H, 60-65% EFF.	026-36340-009	10
28	1	RIGID FILTER, 12" 90/95% EFF. W/ 2" 30% FIBERGLASS PRE-FILTERS	385-20006-307	-
28	2	FILTER, PERFPLT, 30% EFF, 20W X 25H	026-21065-000	15
28	3	FILTER, PERFPLT, 30% EFF, 16W X 20H	026-21062-000	10
28	2	FILTER, VCL, 20W X 25H, 90-95% EFF.	026-36380-000	15
28	3	FILTER, VCL, 16W X 20H, 90-95% EFF.	026-36342-009	10

NOTE:
Items 2 and 3 are included within item 1.

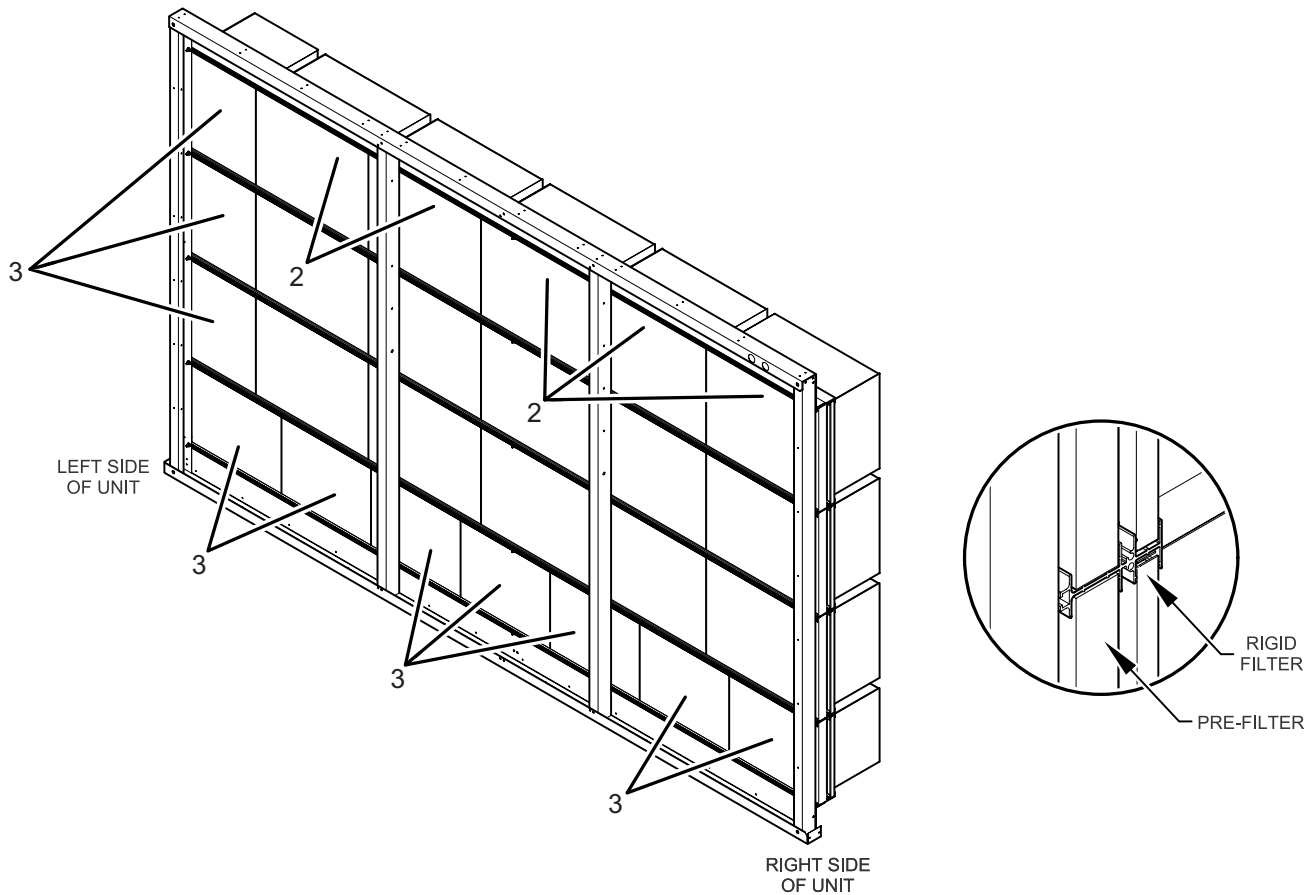


FIG. 28 - FILTERS, RIGID

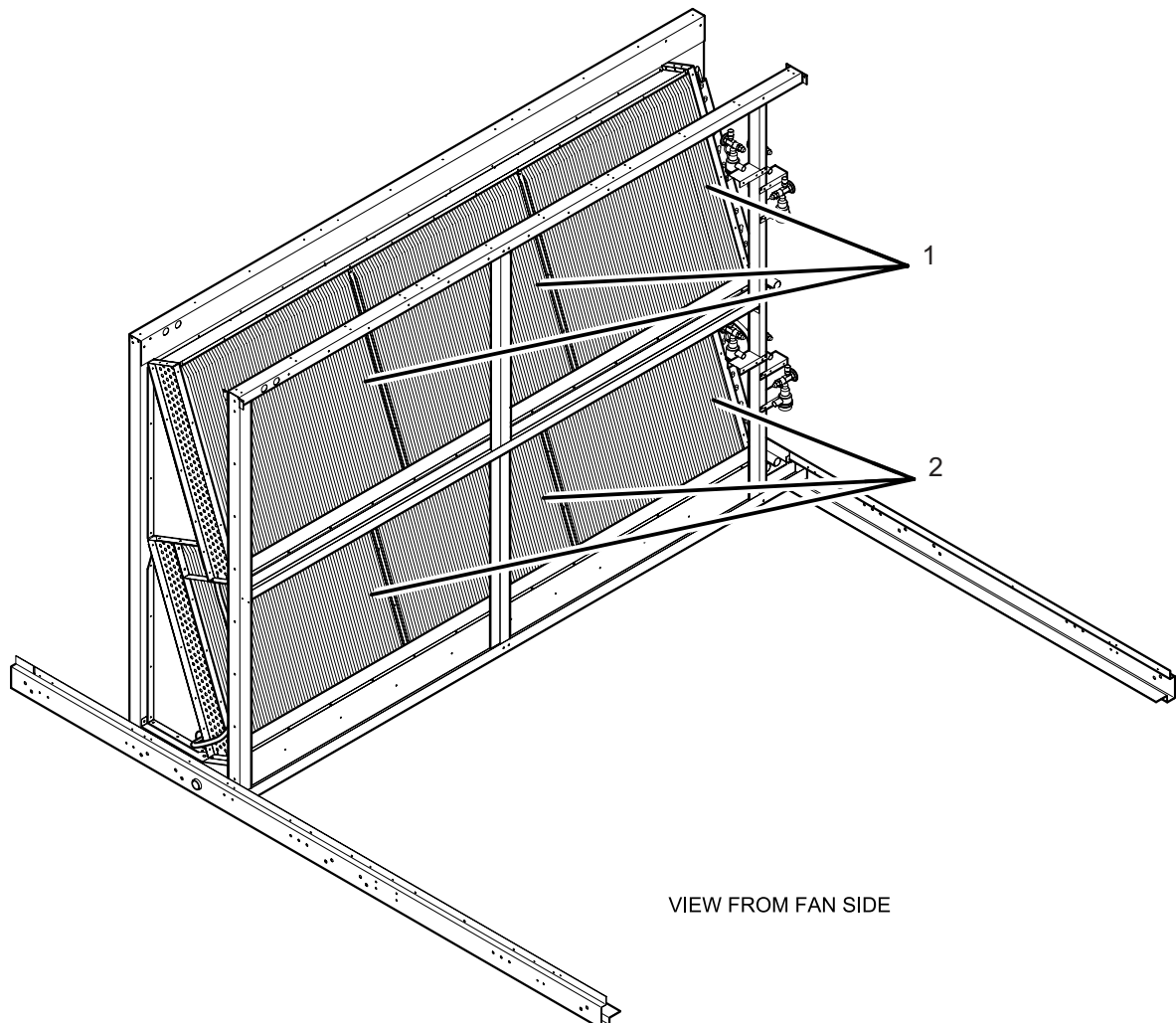
LD11534

TABLE 29A - EVAPORATOR COILS (ALUMINUM)

FIGURE	ITEM	DESCRIPTION	PART NUMBER
29	1, 2	COIL, EVAP, 106T	385-20041-100
29	2	COIL, EVAP, 110/115T, AL, BTM	385-20041-200
29	1	COIL, EVAP, 110/115T, AL, TOP	385-20041-250
29	1, 2	COIL, EVAP, 110/115T	385-20041-251
29	1, 2	COIL, EVAP 130T	385-20041-300

TABLE 29B - EVAPORATOR COILS (COPPER)

FIGURE	ITEM	DESCRIPTION	PART NUMBER
29	1, 2	COIL, EVAP, 106T	385-20041-110
29	2	COIL, EVAP, 110/115T, CU, BTM	385-20041-210
29	1	COIL, EVAP, 110/115T, CU, TOP	385-20041-260
29	1, 2	COIL, EVAP, 110/115T	385-20041-261
29	1, 2	COIL, EVAP, 130T	385-20041-310

**FIG. 29 - EVAPORATOR COILS**

LD11182

TABLE 30 - EVAPORATOR ASSEMBLY (R-22)

FIGURE	ITEM	DESCRIPTION	PART NUMBER
30	1	BULKHEAD, BOTTOM UP	085-20008-143
30	2	BULKHEAD, LH VERT UP	085-20008-142
30	3	BULKHEAD, MID	085-20008-010
30	4	BULKHEAD, MID BOTTOM UP	085-20008-146
30	5	BULKHEAD, TOP UP	085-20008-144
30	6	BULKHEAD, MID TOP UP	085-20008-145
30	7	SUPPORT COIL TOP RH	085-20008-005
30	8	SUPPORT COIL TOP LH	085-20008-007
30	9	SUPPORT COIL BOTTOM LH	085-20008-008
30	10	SUPPORT COIL BOTTOM RH	085-20008-006
30	11	SUPPORT COIL MID	085-20008-004
30	12	DRAIN PAN MAIN ASSY	385-20009-302
30	13	DRAIN PAN AUX ASSY	385-20009-303
30	14	BULKHEAD, BOTTOM DOWN	085-20008-153
30	15	BULKHEAD, RH VERT DOWN	085-20008-151
30	16	BULKHEAD, LH VERT DOWN	085-20008-152
30	17	BULKHEAD, TOP DOWN	085-20008-154
30	18	DRAIN PAN MID ASSY	385-20009-304
30	19	BLOCKOFF, COIL	085-20008-022
30	20	BLOCKOFF, BOTTOM LH DOWN	085-20008-018
30	21	BLOCKOFF, BOTTOM LH UP	085-20008-019
30	22	BLOCKOFF, BOTTOM RH DOWN	085-20008-017
30	23	BULKHEAD, RH VERT UP	085-20008-141
30	24	DOWNSPOUT MID DRAIN PAN	085-20008-099
30	25	ESCUTCHEON, 30D_.55 ID_ .13 THICK	028-14910-002
30	26	TUBING, PLASTIC, .63 ID_ .813 OD	028-08663-000
30	27	CLAMP, HOSE, .88 OD	023-06532-000
30	28	DOWNSPOUT, MAIN DRAIN PAN	085-20008-098
30	29	BULKHEAD, MID TOP DOWN	085-20008-155
30	30	BULKHEAD, MID BOTTOM DOWN	085-20008-156
30	31	GUARD, SPLASH	085-20008-158
30	32	EVAP BLOCKOFF ASSY, LH	385-20009-305
30	33	EVAP BLOCKOFF ASSY, RH	385-20009-306
*	34	SCREW, HH, COAT, .25-20_.75	021-31337-000
*	35	TIE, PUSH-IN, 16.2 LG	025-23764-001
*	36	PERMAGUM, .06 THK_ .5W	013-02209-000
*	37	GASKET, NEO, C-C, B/G, .75W_.38THK	028-11877-010

NOTE:

* Items are NOT shown.

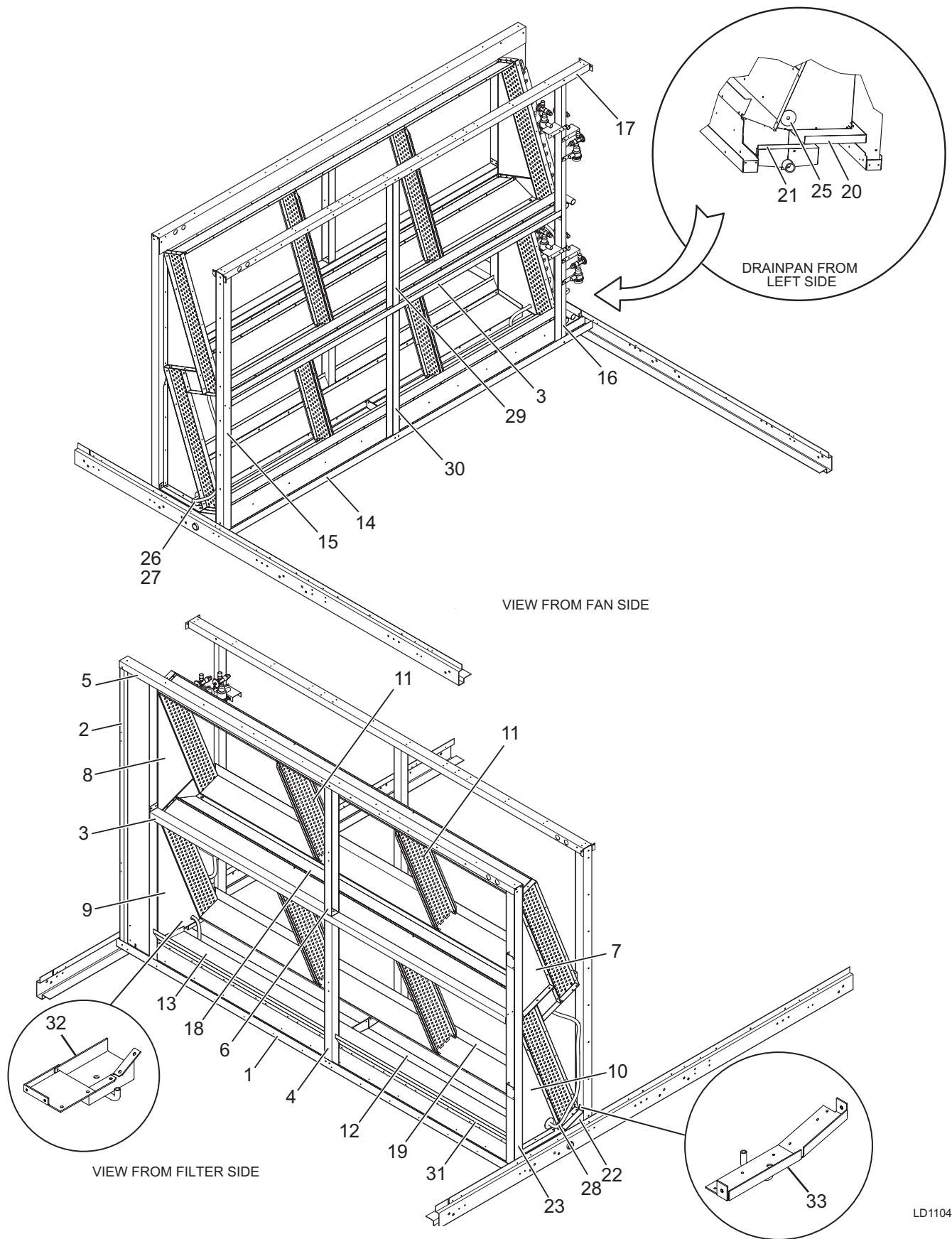


FIG. 30 - EVAPORATOR ASSEMBLY (R-22)

TABLE 31 - EVAPORATOR HEADERS

FIGURE	ITEM	SYSTEM	DESCRIPTION	PART NUMBER
31	1	SYS 1	HEADER, 106T	385-20041-150
31	2	SYS 2	HEADER, 106T	385-20041-152
31	3	SYS 3	HEADER, 106T	385-20041-154
31	1	SYS 1	HEADER, 110/115T	385-20041-270
31	2	SYS 2	HEADER, 110/115T	385-20041-272
31	3	SYS 3	HEADER, 110/115T	385-20041-275
31	4	SYS 1	HEADER, 130T	385-20041-350
31	5	SYS 2	HEADER, 130T	385-20041-352
31	6	SYS 3	HEADER, 130T	385-20041-354

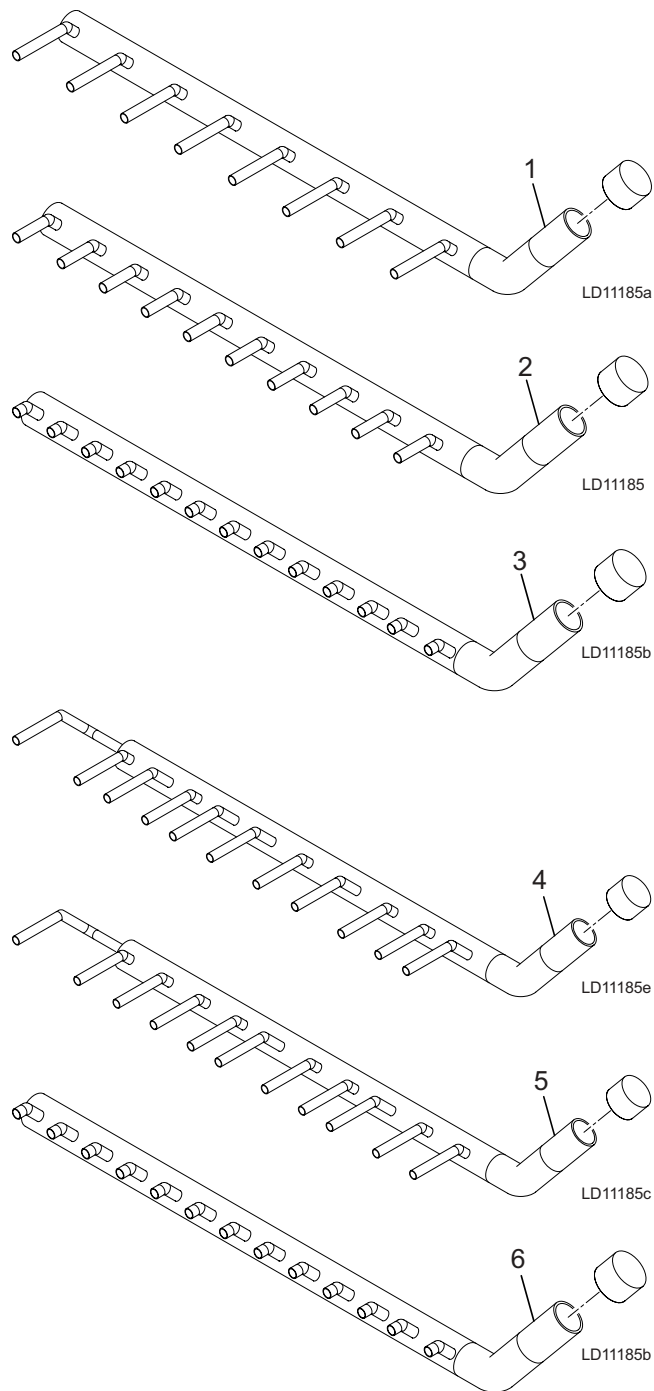


FIG. 31 - EVAPORATOR HEADERS

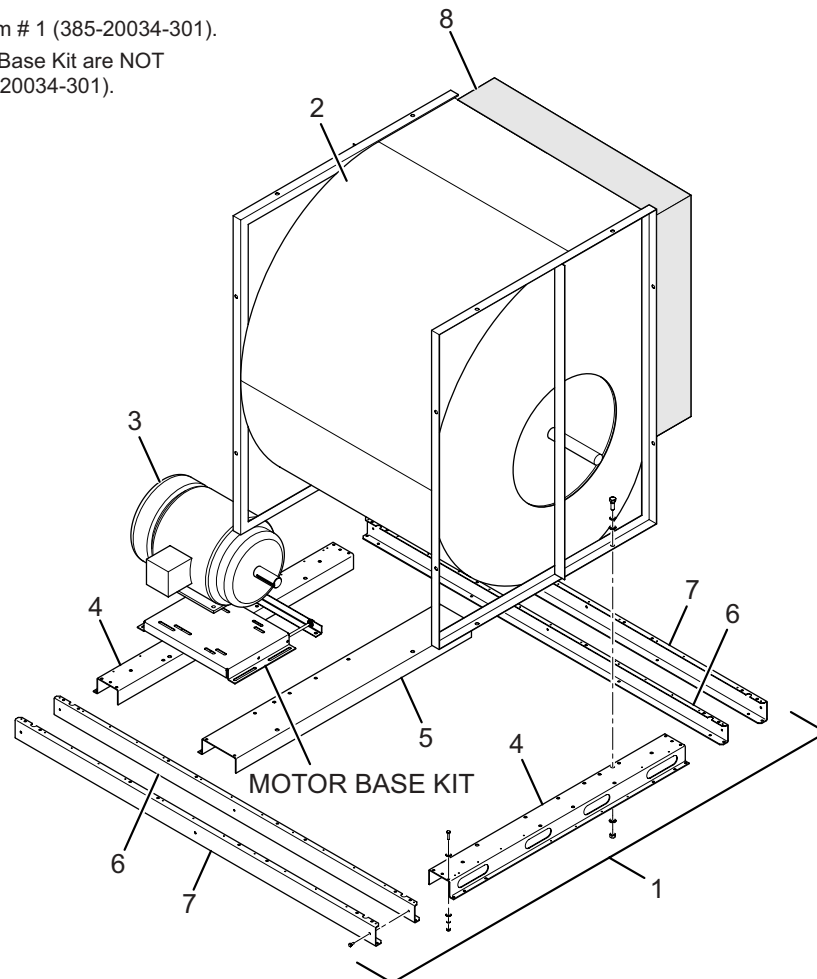
TABLE 32 - SUPPLY FAN & FAN SKID ASSEMBLIES

FIGURE	ITEM	DESCRIPTION	PART NUMBER
32	1	FAN SKID ASSEMBLY AF, CL 1	385-20034-301
32	2	FAN, AF 40 X 40, CL 1	026-36313-140
32	4	RAIL ,SPRING 40 SUPPLY SKID	085-20034-064
32	5	RAIL, MID 40 SUPPLY SKID	085-20034-063
32	6	RAIL ,END 40 SUPPLY SKID	085-20034-065
32	7	RAIL, END SUPPORT 40 SUPPLY SKID	085-20034-066
32	8	FLEX, DUCT	026-28242-001
*	9	RAIL, ISO 40 AF	085-20034-061
*	10	ANGLE, ISO RL	085-20000-005
32	1	FAN SKID, 36-36	385-20034-340
32	2	FAN, FC 36 X 36, CL1	026-36315-136
32	2	FAN, FC 36 X 36, CL2	026-36315-236
32	4	RAIL, SPRING 36 FC SKID	085-20034-044
32	5	RAIL, MID 36 FC SKID	085-20034-043
32	6	RAIL, END 36 FC SKID	085-20034-045
32	7	RAIL, END SUPPORT 36 FC SKID	085-20034-046
32	8	FLEX, DUCT	026-28242-001
*	9	RAIL, ISO 36 FC	085-20034-041
*	10	ANGLE, ISO RL	085-20034-042

NOTE:

Item # 2 is included within item # 1 (385-20034-301).

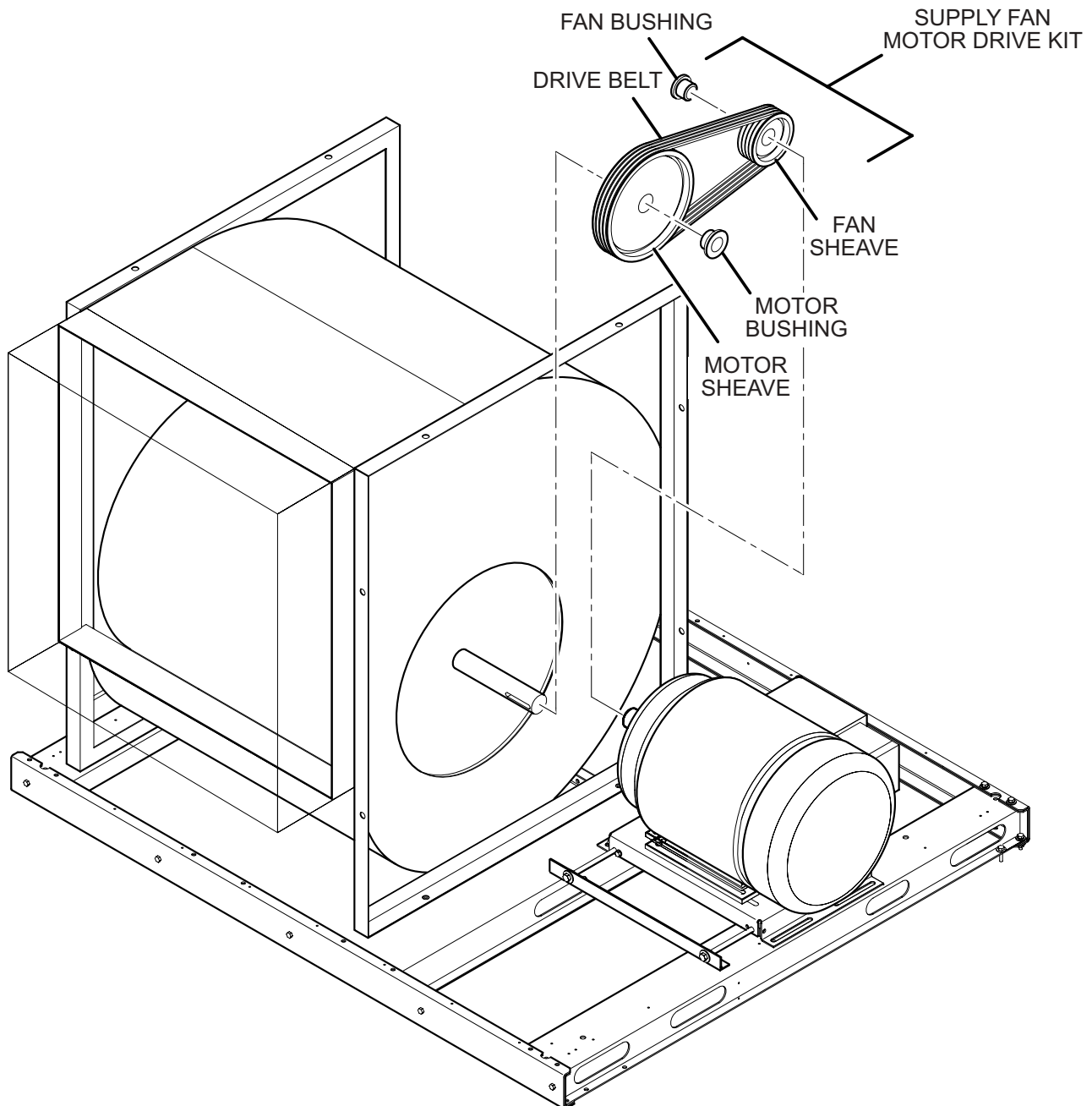
Supply Fan Motor and Motor Base Kit are NOT Included within item # 1 (385-20034-301).

**FIG. 32 - SUPPLY FAN & FAN SKID ASSEMBLIES**

LD11629

TABLE 33 - SUPPLY FAN MOTOR DRIVE KITS**NOTE:**

Procure replacement drive components locally. A drive label, affixed to the supply fan, lists the drive specifications. However due to the possible changes in the field, replacement parts must be verified against installed parts since the installed parts may not match the label.

**FIG. 33 - SUPPLY FAN MOTOR DRIVE KITS**

LD11296

TABLE 34A - SUPPLY FAN MOTORS (ODP)

FIGURE	ITEM	MOTOR HP	VOLTAGE (VOLT/)	HIGH EFFICIENCY PART NUMBER	PREMIUM EFFICIENCY PART NUMBER
32	3	10	200 (17)	024-23938-000	024-27060-000
32	3		230 (28)	024-23931-000	024-27062-000
32	3		460 (46)	024-23931-000	024-27062-000
32	3		575 (58)	024-27011-000	024-34417-000
32	3		400 (45)	024-34466-000	N/A
32	3	15	200 (17)	024-23939-000	024-27063-000
32	3		230 (28)	024-23932-000	024-27064-000
32	3		460 (46)	024-23932-000	024-27064-000
32	3		575 (58)	024-27012-000	024-34425-000
32	3		400 (45)	024-34467-000	N/A
32	3	20	200 (17)	024-23940-000	024-27065-000
32	3		230 (28)	024-23933-000	024-27066-000
32	3		460 (46)	024-23933-000	024-27066-000
32	3		575 (58)	024-27013-000	024-34427-000
32	3		400 (45)	024-34468-000	N/A
32	3	25	200 (17)	024-23941-000	024-27067-000
32	3		230 (28)	024-23934-000	024-27068-000
32	3		460 (46)	024-23934-000	024-27068-000
32	3		575 (58)	024-27014-000	024-34430-000
32	3		400 (45)	024-34469-000	N/A
32	3	30	200 (17)	024-26265-000	024-27069-000
32	3		230 (28)	024-23191-000	024-27070-000
32	3		460 (46)	024-23191-000	024-27070-000
32	3		575 (58)	024-27015-000	024-34431-000
32	3		400 (45)	024-34470-000	N/A
32	3	40	200 (17)	024-26266-000	024-27071-000
32	3		230 (28)	024-23195-000	024-27072-000
32	3		460 (46)	024-23195-000	024-27072-000
32	3		575 (58)	024-27016-000	024-34435-000
32	3		400 (45)	024-34471-000	N/A
32	3	50	200 (17)	024-14920-000	024-27073-000
32	3		230 (28)	024-23196-000	024-27074-000
32	3		460 (46)	024-23196-000	024-27074-000
32	3		575 (58)	024-27016-000	024-34439-000
32	3		400 (45)	024-34472-000	N/A
32	3	60	200 (17)	024-34442-000	024-27075-000
32	3		230 (28)	024-23197-000	024-27076-000
32	3		460 (46)	024-23197-000	024-27076-000
32	3		575 (58)	024-27018-000	024-34444-000
32	3		400 (45)	024-34473-000	N/A
32	3	75	200 (17)	024-34447-000	024-27077-000
32	3		230 (28)	024-26267-000	024-27078-000
32	3		460 (46)	024-26267-000	024-27078-000
32	3		575 (58)	N/A	N/A
32	3		400 (45)	N/A	N/A

TABLE 34B - SUPPLY FAN MOTORS (TEFC)

FIGURE	ITEM	MOTOR HP	VOLTAGE (VOLT/)	HIGH EFFICIENCY PART NUMBER	PREMIUM EFFICIENCY PART NUMBER
32	3	10	200 (17)	024-23924-000	024-27087-000
32	3		230 (28)	024-23917-000	024-27088-000
32	3		460 (46)	024-23917-000	024-27088-000
32	3		575 (58)	024-27043-000	024-27313-000
32	3		400 (45)	024-23221-000	N/A
32	3	15	200 (17)	024-23925-000	024-27089-000
32	3		230 (28)	024-23918-000	024-27090-000
32	3		460 (46)	024-23918-000	024-27090-000
32	3		575 (58)	024-27044-000	024-27314-000
32	3		400 (45)	024-26252-000	N/A
32	3	20	200 (17)	024-34426-000	024-27097-000
32	3		230 (28)	024-23919-000	024-27098-000
32	3		460 (46)	024-23919-000	024-27098-000
32	3		575 (58)	024-27045-000	024-34428-000
3	3		400 (45)	024-34822-000	N/A
32	3	25	200 (17)	024-34429-000	024-27099-000
32	3		230 (28)	024-23920-000	024-27300-000
32	3		460 (46)	024-23920-000	024-27300-000
32	3		575 (58)	024-27046-000	024-27316-000
32	3		400 (45)	024-34823-000	N/A
32	3	30	200 (17)	024-26271-000	024-34433-000
32	3		230 (28)	024-26282-000	024-27301-000
32	3		460 (46)	024-26282-000	024-27301-000
32	3		575 (58)	024-27047-000	024-34432-000
32	3		400 (45)	024-34824-000	N/A
32	3	40	200 (17)	024-34434-000	024-34437-000
32	3		230 (28)	024-26283-000	024-27302-000
32	3		460 (46)	024-26283-000	024-27302-000
32	3		575 (58)	024-27048-000	024-34436-000
32	3		400 (45)	024-34825-000	N/A
32	3	50	200 (17)	024-34438-000	024-34441-000
32	3		230 (28)	024-26284-000	024-27303-000
32	3		460 (46)	024-26284-000	024-27303-000
32	3		575 (58)	024-27049-000	024-34440-000
32	3		400 (45)	024-34826-000	N/A
32	3	60	200 (17)	024-34443-000	024-34445-000
32	3		230 (28)	024-26285-000	024-27304-000
32	3		460 (46)	024-26285-000	024-27304-000
32	3		575 (58)	024-27050-000	024-34446-000
32	3		400 (45)	024-34827-000	N/A
32	3	75	200 (17)	024-34448-000	024-34450-000
32	3		230 (28)	024-26286-000	024-27305-000
32	3		460 (46)	024-26286-000	024-27305-000
32	3		575 (58)	N/A	N/A
32	3		400 (45)	N/A	N/A

TABLE 35 - SUPPLY FAN REPLACEMENT PARTS

FIGURE	ITEM	FAN	DESCRIPTION	PART NUMBER
19	1	026-36313-140 (40 X 40 AF CLASS 1)	WHEEL	026-43351-000
19	2		BEARINGS	029-25069-000
19	3		SHAFT	029-25068-000
19	1	026-36315-136 (36 X 36 FC CLASS 1)	WHEEL	026-43352-000
19	2		BEARINGS	029-25071-000
19	3		SHAFT	029-25070-000
19	1	026-36315-236 (36 X 36 FC CLASS 2)	WHEEL	026-43353-000
19	2		BEARINGS	029-25073-000
19	3		SHAFT	029-25072-000

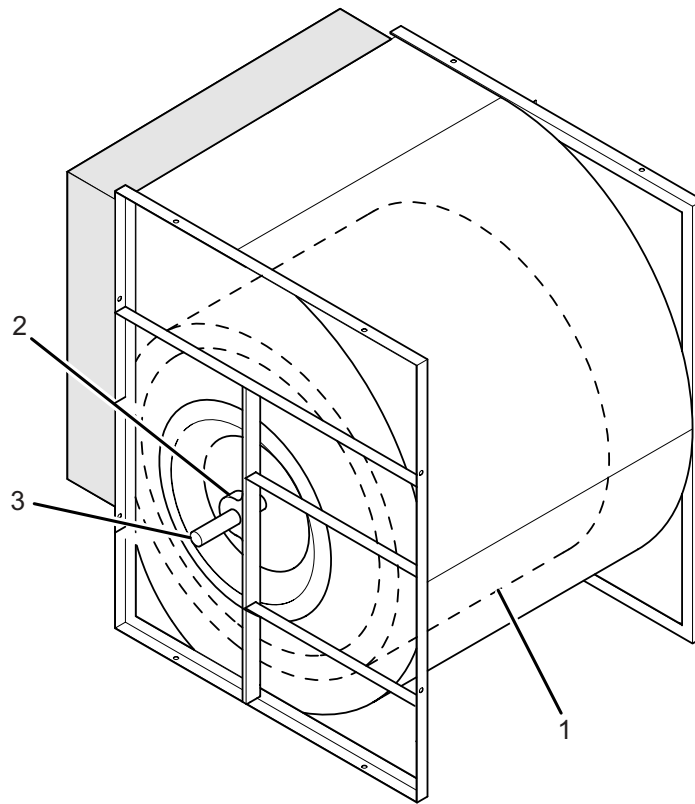


FIG. 35 - SUPPLY FAN REPLACEMENT PARTS

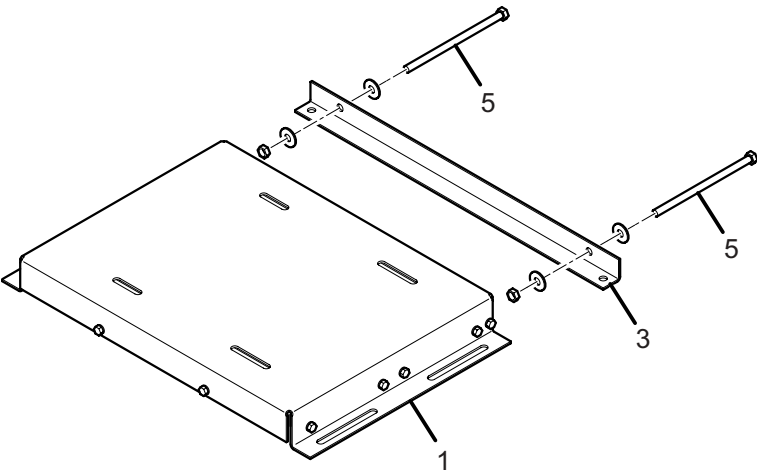
TABLE 36 - SUPPLY FAN MOTOR BASE KITS

FIGURE	MOTOR HP	DESCRIPTION	PART NUMBER
36	10	SUPPLY FAN MOTOR BASE KIT	385-20038-102
36	15	SUPPLY FAN MOTOR BASE KIT	385-20038-101
36	20	SUPPLY FAN MOTOR BASE KIT	385-20038-101
36	25	SUPPLY FAN MOTOR BASE KIT	385-20038-102
36	30	SUPPLY FAN MOTOR BASE KIT	385-20038-102
36	40	SUPPLY FAN MOTOR BASE KIT	385-20038-101
36	50	SUPPLY FAN MOTOR BASE KIT	385-20038-101
36	60	SUPPLY FAN MOTOR BASE KIT	385-20038-103
36	70	SUPPLY FAN MOTOR BASE KIT	385-20038-103

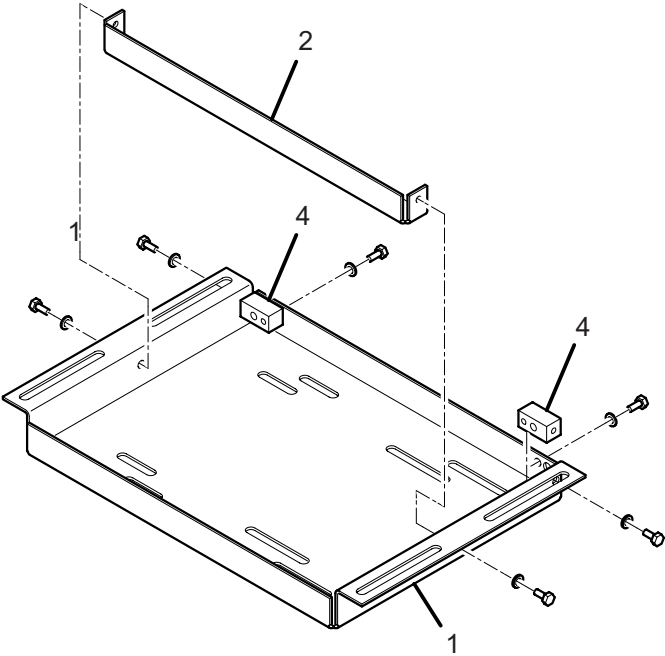
FIGURE	ITEM	MOTOR BASE KIT (385-20038-101)	PART NUMBER
36	1	BASE, MOTOR, 15 / 20 / 40 / 50	085-20038-015
36	2	STIF, MOTOR BASE	085-20038-017
36	3	ANGLE, MOTOR BASE ADJ	085-20038-016
36	4	BLOCK, MOTOR BASE	021-19558-000
36	5	SCREW, HC, GR-2, PLTD, 5-13_9	021-19556-000

FIGURE	ITEM	MOTOR BASE KIT (385-20038-102)	PART NUMBER
36	1	BASE, MOTOR, 7.5 / 10 / 25 / 30	085-20038-018
36	2	STIF, MOTOR BASE	085-20038-017
36	3	ANGLE, MOTOR BASE ADJ	085-20038-016
36	4	BLOCK, MOTOR BASE	021-19558-000
36	5	SCREW, HC, GR-2, PLTD, 5-13_9	021-19556-000

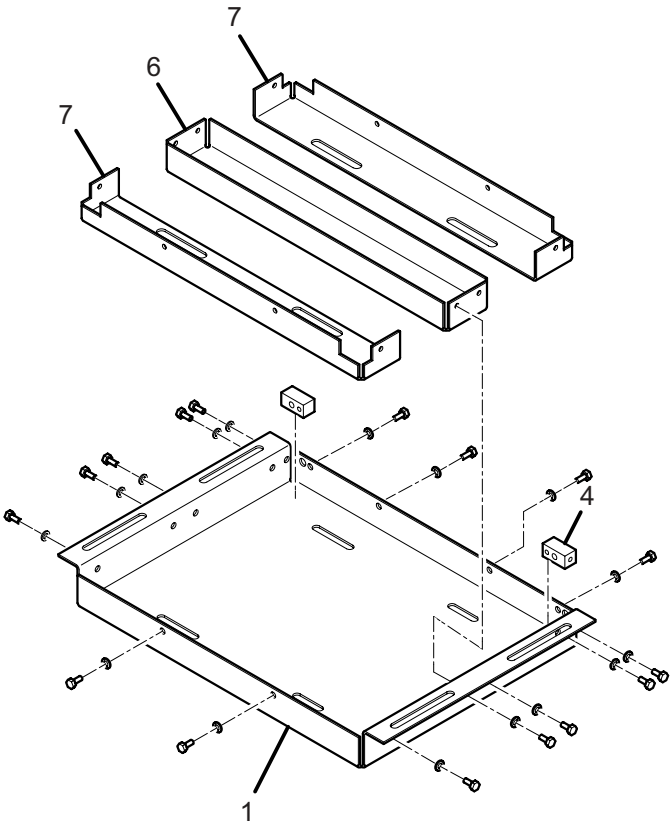
FIGURE	ITEM	MOTOR BASE KIT (385-20038-103)	PART NUMBER
36	1	BASE, MOTOR, 60 / 75	085-20038-011
36	3	ANGLE, MOTOR BASE ADJ	085-20038-012
36	4	BLOCK, MOTOR BASE	021-19558-000
36	5	SCREW, HC, GR-2, PLTD, 5-13_9	021-19556-000
36	6	STIF, MOTOR BASE, MID	085-20038-013
36	7	STIF, MOTOR BASE	085-20038-014



385-20038-101,
385-20038-102,
&
385-20038-103



385-20038-101
&
385-20038-102



385-20038-103

FIG. 36 - SUPPLY FAN MOTOR BASE KITS

TABLE 37A- SUPPLY FAN AIRFOIL - 2" SPRING ISOLATORS

FIG	ITEM	HP	DESCRIPTION	PART NUMBER	COLOR
37	1	10	DRIVE SIDE OPP MOTOR	029-21330-606	RED
37	1	10	OPP DRIVE OPP MOTOR	029-21330-607	RED/BLACK
37	1	10	MOTOR DRIVE SIDE	029-21330-606	RED
37	1	10	OPP DRIVE SIDE MOTOR	029-21330-606	RED
37	1	15	DRIVE SIDE OPP MOTOR	029-21330-606	RED
37	1	15	OPP DRIVE OPP MOTOR	029-21330-607	RED/BLACK
37	1	15	MOTOR DRIVE SIDE	029-21330-606	RED
37	1	15	OPP DRIVE SIDE MOTOR	029-21330-606	RED
37	1	20	DRIVE SIDE OPP MOTOR	029-21330-606	RED
37	1	20	OPP DRIVE OPP MOTOR	029-21330-607	RED/BLACK
37	1	20	MOTOR DRIVE SIDE	029-21330-606	RED
37	1	20	OPP DRIVE SIDE MOTOR	029-21330-606	RED
37	1	25	DRIVE SIDE OPP MOTOR	029-21330-607	RED/BLACK
37	1	25	OPP DRIVE OPP MOTOR	029-21330-607	RED/BLACK
37	1	25	MOTOR DRIVE SIDE	029-21330-607	RED/BLACK
37	1	25	OPP DRIVE SIDE MOTOR	029-21330-606	RED
37	1	30	DRIVE SIDE OPP MOTOR	029-21330-606	RED
37	1	30	OPP DRIVE OPP MOTOR	029-21330-607	RED/BLACK
37	1	30	MOTOR DRIVE SIDE	029-21330-607	RED/BLACK
37	1	30	OPP DRIVE SIDE MOTOR	029-21330-606	RED
37	1	40	DRIVE SIDE OPP MOTOR	029-21330-607	RED/BLACK
37	1	40	OPP DRIVE OPP MOTOR	029-21330-607	RED/BLACK
37	1	40	MOTOR DRIVE SIDE	029-21330-608	RED/GREEN
37	1	40	OPP DRIVE SIDE MOTOR	029-21330-606	RED
37	1	50	DRIVE SIDE OPP MOTOR	029-21330-607	RED/BLACK
37	1	50	OPP DRIVE OPP MOTOR	029-21330-607	RED/BLACK
37	1	50	MOTOR DRIVE SIDE	029-21330-608	RED/GREEN
37	1	50	OPP DRIVE SIDE MOTOR	029-21330-606	RED
37	1	60	DRIVE SIDE OPP MOTOR	029-21330-607	RED/BLACK
37	1	60	OPP DRIVE OPP MOTOR	029-21330-607	RED/BLACK
37	1	60	MOTOR DRIVE SIDE	029-21330-608	RED/GREEN
37	1	60	OPP DRIVE SIDE MOTOR	029-21330-606	RED
37	1	75	DRIVE SIDE OPP MOTOR	029-21330-608	RED/GREEN
37	1	75	OPP DRIVE OPP MOTOR	029-21330-607	RED/BLACK
37	1	75	MOTOR DRIVE SIDE	029-21330-609	RED/GREY
37	1	75	OPP DRIVE SIDE MOTOR	029-21330-607	RED/BLACK

TABLE 37B - SUPPLY FAN FORWARD CURVED - 2" SPRING ISOLATORS

FIG	ITEM	HP	DESCRIPTION	PART NUMBER	COLOR
37	1	10	DRIVE SIDE OPP MOTOR	029-21330-606	RED
37	1	10	OPP DRIVE OPP MOTOR	029-21330-607	RED/BLACK
37	1	10	MOTOR DRIVE SIDE	029-21330-605	BROWN
37	1	10	OPP DRIVE SIDE MOTOR	029-21330-605	BROWN
37	1	15	DRIVE SIDE OPP MOTOR	029-21330-606	RED
37	1	15	OPP DRIVE OPP MOTOR	029-21330-607	RED/BLACK
37	1	15	MOTOR DRIVE SIDE	029-21330-606	RED
37	1	15	OPP DRIVE SIDE MOTOR	029-21330-605	BROWN
37	1	20	DRIVE SIDE OPP MOTOR	029-21330-606	RED
37	1	20	OPP DRIVE OPP MOTOR	029-21330-607	RED/BLACK
37	1	20	MOTOR DRIVE SIDE	029-21330-606	RED
37	1	20	OPP DRIVE SIDE MOTOR	029-21330-605	BROWN
37	1	25	DRIVE SIDE OPP MOTOR	029-21330-607	RED/BLACK
37	1	25	OPP DRIVE OPP MOTOR	029-21330-607	RED/BLACK
37	1	25	MOTOR DRIVE SIDE	029-21330-607	RED/BLACK
37	1	25	OPP DRIVE SIDE MOTOR	029-21330-605	BROWN
37	1	30	DRIVE SIDE OPP MOTOR	029-21330-607	RED/BLACK
37	1	30	OPP DRIVE OPP MOTOR	029-21330-607	RED/BLACK
37	1	30	MOTOR DRIVE SIDE	029-21330-607	RED/BLACK
37	1	30	OPP DRIVE SIDE MOTOR	029-21330-605	BROWN
37	1	40	DRIVE SIDE OPP MOTOR	029-21330-607	RED/BLACK
37	1	40	OPP DRIVE OPP MOTOR	029-21330-607	RED/BLACK
37	1	40	MOTOR DRIVE SIDE	029-21330-607	RED/BLACK
37	1	40	OPP DRIVE SIDE MOTOR	029-21330-606	RED
37	1	50	DRIVE SIDE OPP MOTOR	029-21330-607	RED/BLACK
37	1	50	OPP DRIVE OPP MOTOR	029-21330-607	RED/BLACK
37	1	50	MOTOR DRIVE SIDE	029-21330-608	RED/GREEN
37	1	50	OPP DRIVE SIDE MOTOR	029-21330-606	RED
37	1	60	DRIVE SIDE OPP MOTOR	029-21330-608	RED/GREEN
37	1	60	OPP DRIVE OPP MOTOR	029-21330-607	RED/BLACK
37	1	60	MOTOR DRIVE SIDE	029-21330-608	RED/GREEN
37	1	60	OPP DRIVE SIDE MOTOR	029-21330-606	RED
37	1	75	DRIVE SIDE OPP MOTOR	029-21330-608	RED/GREEN
37	1	75	OPP DRIVE OPP MOTOR	029-21330-607	RED/BLACK
37	1	75	MOTOR DRIVE SIDE	029-21330-608	RED/GREEN
37	1	75	OPP DRIVE SIDE MOTOR	029-21330-606	RED

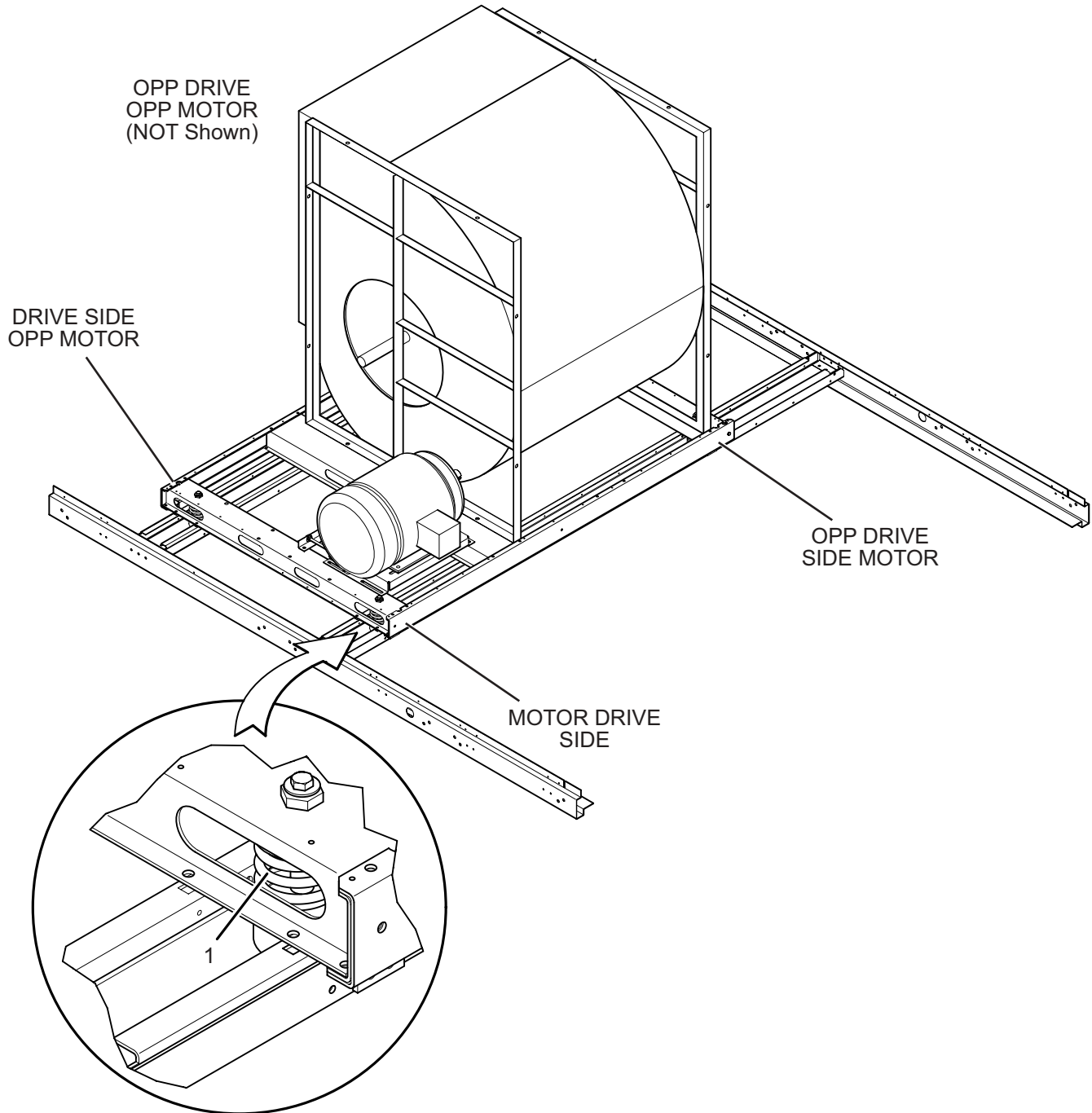


FIG. 37 - SUPPLY FAN - 2" SPRING ISOLATORS

LD11058

TABLE 38 - SUPPLY FAN MOTOR DANFOSS VARIABLE FREQUENCY DRIVES

FIG	ITEM	MOTOR HP	PART NUMBER				
			200V (17)	230V (28)	460V (46)	575V (58)	400V-50 (45)
38	1	10	025-36261-005	025-36261-005	025-36263-005	025-36265-002	025-36263-005
38	1	15	025-36261-006	025-36261-006	025-36263-006	025-36265-003	025-36263-006
38	1	20	025-36261-007	025-36261-007	025-36263-007	025-36265-004	025-36263-007
38	1	25	025-36261-008	025-36261-008	025-36263-008	025-36265-005	025-36263-008
38	1	30	025-36261-009	025-36261-009	025-36263-009	025-36265-006	025-36263-009
38	1	40	025-36261-010	025-36261-010	025-36263-010	025-36265-007	025-36263-010
38	1	50	025-36261-011	025-36261-011	025-36263-011	025-36265-008	025-36263-011
38	1	60	025-36261-012	025-36261-012	025-36263-012	025-36265-009	025-36263-012
38	1	75	025-36263-013	025-36263-013	025-36263-013	N/A	N/A

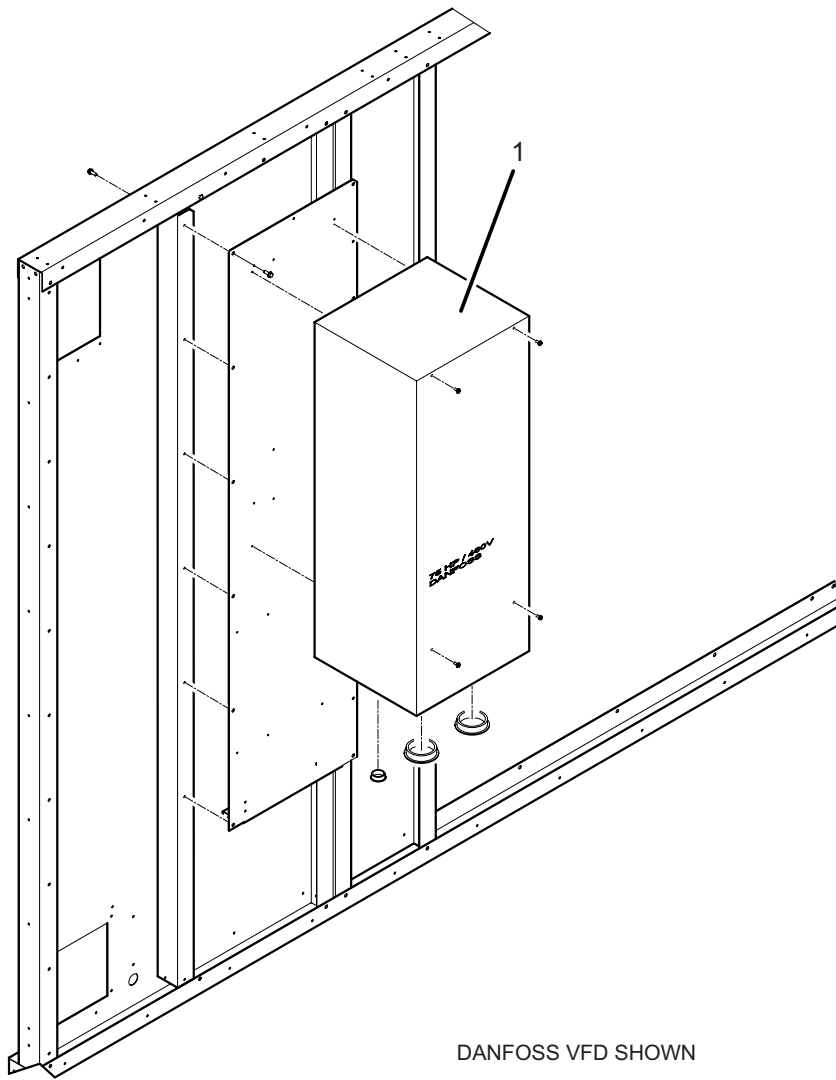


FIG. 38 - SUPPLY FAN MOTOR VARIABLE FREQUENCY DRIVES

TABLE 39 - SUPPLY AIR VFD MOUNTING

FIGURE	ITEM	DESCRIPTION	PART NUMBER
39	1	COVER, LH VFD DW/ DISCHARGE WALL	085-20016-129
39	2	CHANNEL, VFD DW	085-20016-128

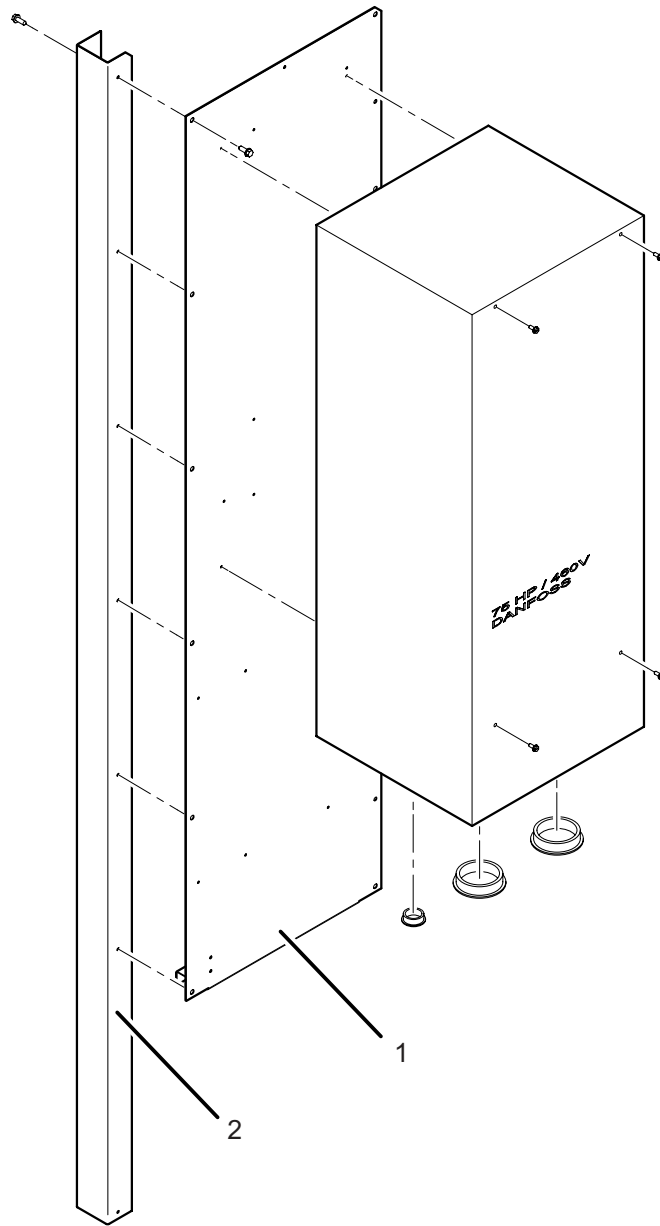


FIG. 39 - SUPPLY AIR VFD MOUNTING

LD11143

TABLE 40 - SUPPLY FAN VFD BYPASS PANELS

FIG	ITEM	MOTOR HP	PART NUMBER				
			200V (17)	230V (28)	460V (46)	575V (58)	400V-50 (45)
40	1	10	371-04535-006	371-04535-005	371-04535-003	371-04535-002	371-04535-003
40	1	15	371-04535-007	371-04535-006	371-04535-004	371-04535-003	371-04535-004
40	1	20	371-04535-008	371-04535-007	371-04535-005	371-04535-004	371-04535-005
40	1	25	371-04535-009	371-04535-008	371-04535-006	371-04535-005	371-04535-006
40	1	30	371-04535-010	371-04535-009	371-04535-007	371-04535-006	371-04535-007
40	1	40	371-04535-011	371-04535-010	371-04535-008	371-04535-007	371-04535-008
40	1	50	371-04535-012	371-04535-011	371-04535-009	371-04535-008	371-04535-009
40	1	60	371-04535-012	371-04535-012	371-04535-010	371-04535-009	371-04535-010
40	1	75	371-04535-013	371-04535-013	371-04535-011	N/A	N/A

NOTE:
 DANFOSS VFD Shown.
 Supply Fan VFD Bypass Panel Replacement Parts can be found on TABLE 41.

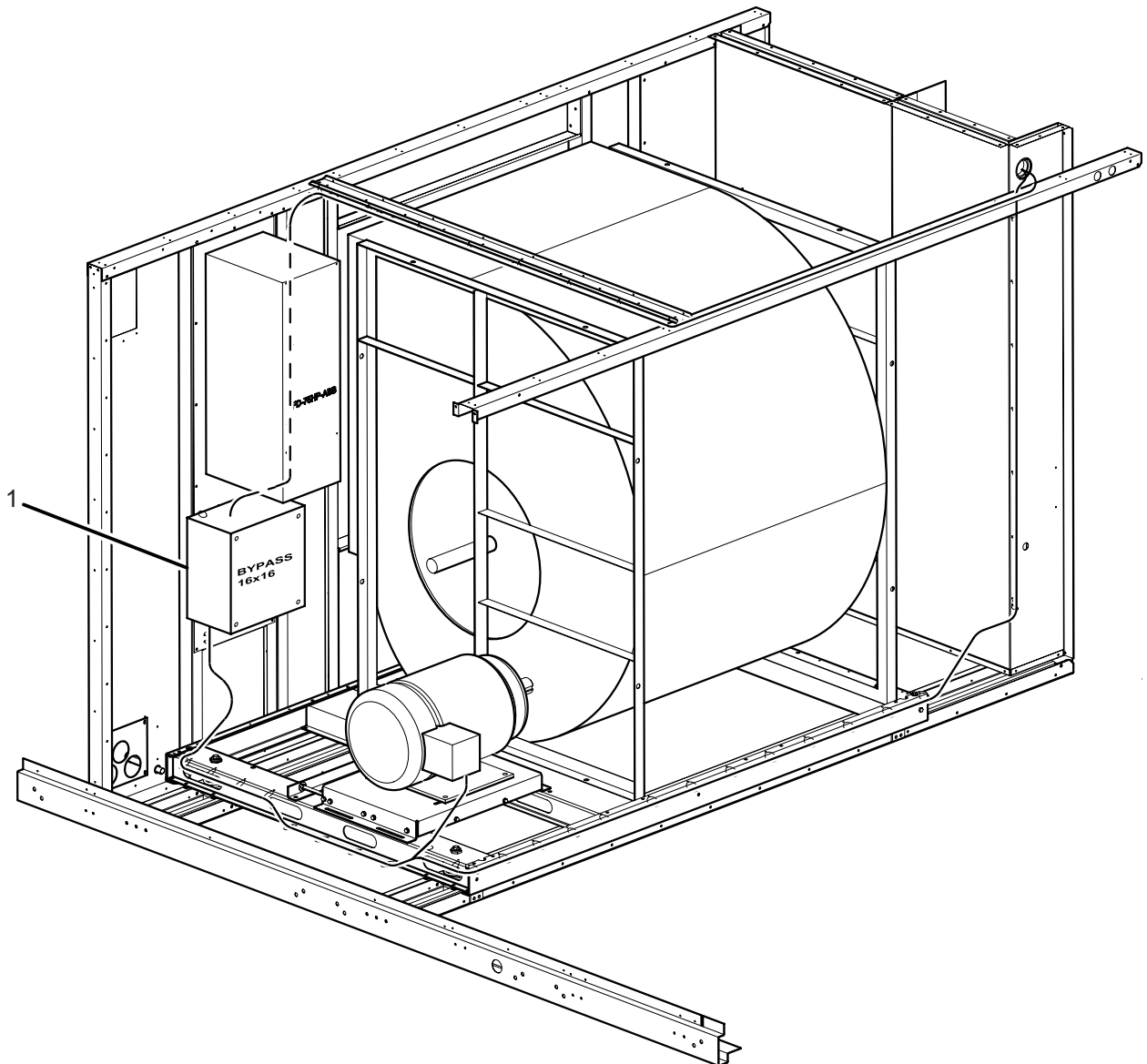


FIG. 40 - SUPPLY FAN VFD BYPASS PANELS

LD11527

TABLE 41 - SUPPLY FAN VFD BYPASS PANEL REPLACEMENT PARTS

FIGURE	ITEM	VFD BYPASS PANEL (371-04535-002)	PART NUMBER	QTY.
41A	1	CONTACTOR, 3P-18A	024-34304-000	2
41A	2	MECHANICAL INTERLOCK	024-34311-000	1
41A	3	SURGE SUPPRESSOR	031-02104-000	2
41A	4	OVERLOAD RELAY	024-34322-000	1
41A	5	GROUND LUG, CU	025-34455-000	3

FIGURE	ITEM	VFD BYPASS PANEL (371-04535-003)	PART NUMBER	QTY.
41A	1	CONTACTOR, 3P-18A	024-34304-000	2
41A	2	MECHANICAL INTERLOCK	024-34311-000	1
41A	3	SURGE SUPPRESSOR	031-02104-000	2
41A	4	OVERLOAD RELAY	024-34323-000	1
41A	5	GROUND LUG, CU	025-34455-000	3

FIGURE	ITEM	VFD BYPASS PANEL (371-04535-004)	PART NUMBER	QTY.
41A	1	CONTACTOR, 3P-25A	024-34305-000	2
41A	2	MECHANICAL INTERLOCK	024-34311-000	1
41A	3	SURGE SUPPRESSOR	031-02104-000	2
41A	4	OVERLOAD RELAY	024-34324-000	1
41A	5	GROUND LUG, CU	025-34455-000	3

FIGURE	ITEM	VFD BYPASS PANEL (371-04535-005)	PART NUMBER	QTY.
41A	1	CONTACTOR, 3P-32A	024-34306-000	2
41A	2	MECHANICAL INTERLOCK	024-34311-000	1
41A	3	SURGE SUPPRESSOR	031-02104-000	2
41A	4	OVERLOAD RELAY	025-39420-000	1
41A	5	GROUND LUG, CU	025-34455-000	3

FIGURE	ITEM	VFD BYPASS PANEL (371-04535-006)	PART NUMBER	QTY.
41B	1	CONTACTOR, 3P-40A	024-34307-000	2
41B	2	MECHANICAL INTERLOCK	024-34330-000	1
41B	3	SURGE SUPPRESSOR	031-02104-000	2
41B	4	OVERLOAD RELAY	024-34326-000	1
41B	5	GROUND LUG, CU	025-34455-000	3

FIGURE	ITEM	VFD BYPASS PANEL (371-04535-007)	PART NUMBER	QTY.
41B	1	CONTACTOR, 3P-50A	024-34308-000	2
41B	2	MECHANICAL INTERLOCK	024-34330-000	1
41B	3	SURGE SUPPRESSOR	031-02101-000	2
41B	4	OVERLOAD RELAY	024-34327-000	1
41B	5	GROUND LUG, CU	025-34455-000	3

FIGURE	ITEM	VFD BYPASS PANEL (371-04535-008)	PART NUMBER	QTY.
41B	1	CONTACTOR, 3P-65A	024-34309-000	2
41B	2	MECHANICAL INTERLOCK	024-34330-000	1
41B	3	SURGE SUPPRESSOR	031-02101-000	2
41B	4	OVERLOAD RELAY	024-34328-000	1
41B	5	GROUND LUG, CU	025-34455-000	3

TABLE 41 (CON'T) - SUPPLY FAN VFD BYPASS PANEL REPLACEMENT PARTS

FIGURE	ITEM	VFD BYPASS PANEL (371-04535-009)	PART NUMBER	QTY.
41B	1	CONTACTOR, 3P-80A	024-34310-000	2
41B	2	MECHANICAL INTERLOCK	024-34330-000	1
41B	3	SURGE SUPPRESSOR	031-02101-000	2
41B	4	OVERLOAD RELAY	025-39421-000	1
41B	5	GROUND LUG, CU	025-34455-000	3

FIGURE	ITEM	VFD BYPASS PANEL (371-04535-010)	PART NUMBER	QTY.
41C	1	CONTACTOR, 3P-A110	024-33133-000	2
41C	2	MECHANICAL INTERLOCK	024-31601-000	1
41C	3	SURGE SUPPRESSOR	031-02203-000	2
41C	4	OVERLOAD RELAY	024-33133-000	1
41C	5	GROUND LUG, CU	025-34455-000	3

FIGURE	ITEM	VFD BYPASS PANEL (371-04535-011)	PART NUMBER	QTY.
41D	1	CONTACTOR, 3P-A145	024-31891-000	2
41D	2	MECHANICAL INTERLOCK	024-34263-000	1
41D	3	SURGE SUPPRESSOR	031-02203-000	2
41D	4	OVERLOAD RELAY	025-39422-000	1
41D	5	GROUND LUG, CU	025-34088-000	3

FIGURE	ITEM	VFD BYPASS PANEL (371-04535-012)	PART NUMBER	QTY.
41D	1	CONTACTOR, 3P-A185	024-31892-000	2
41D	2	MECHANICAL INTERLOCK	024-34263-000	1
41D	3	SURGE SUPPRESSOR	031-02203-000	2
41D	4	OVERLOAD RELAY	024-34297-000	1
41D	5	GROUND LUG, CU	025-34088-000	3

FIGURE	ITEM	VFD BYPASS PANEL (371-04535-013)	PART NUMBER	QTY.
*	1	CONTACTOR,	CONTACT YORK SERVICE	2
*	2	MECHANICAL INTERLOCK		1
*	3	SURGE SUPPRESSOR		2
*	4	OVERLOAD RELAY		1
*	5	GROUND LUG, CU		3

FIGURE	ITEM	VFD BYPASS COMMON PARTS (ALL)	PART NUMBER	QTY.
41	6	VCU EMMITTER, CU	026-37705-000	1
41	7	SELECTOR SWITCH	025-39414-000	1
41	8	N/O CONTACT BLOCK	025-39415-000	2
41	9	CONTROL RELAY	024-31635-000	1
41	10	SURGE SUPPRESSOR	031-02107-000	1

NOTE:

* Items are NOT shown.

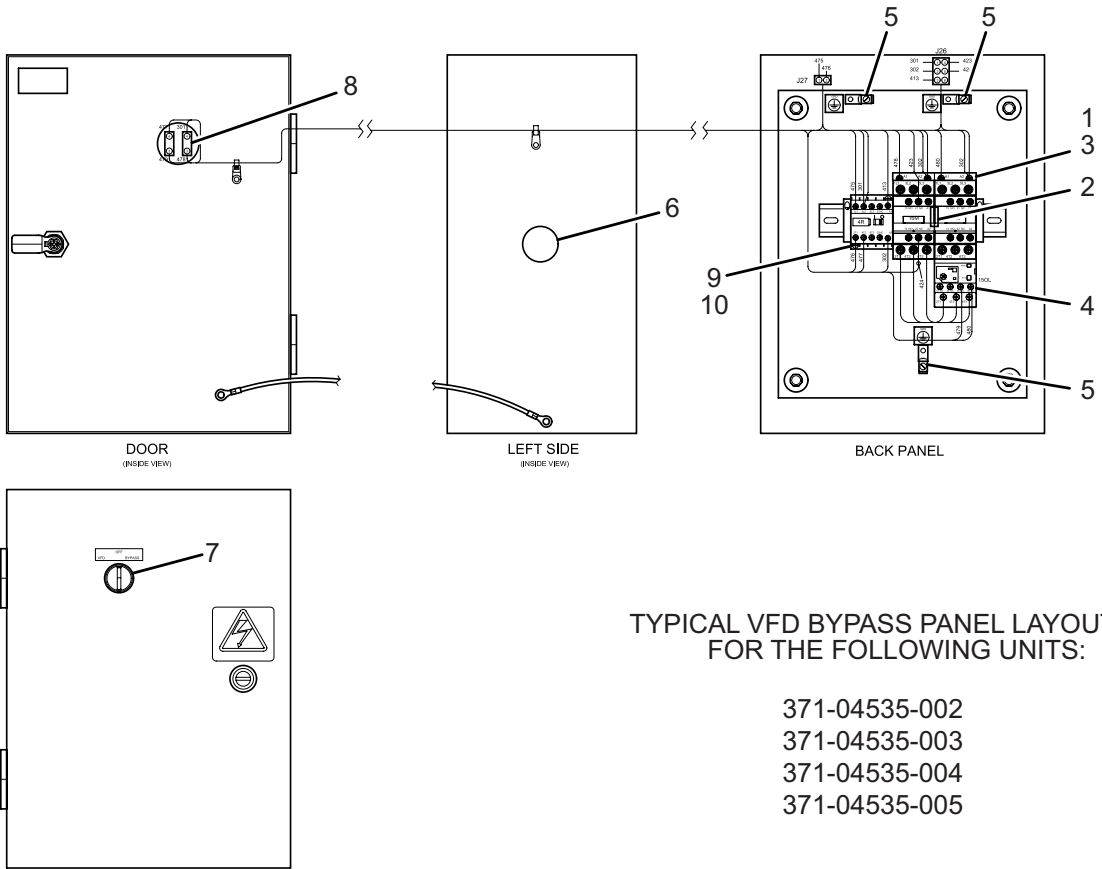


FIG. 41A - SUPPLY FAN VFD BYPASS PANEL REPLACEMENT PARTS

LD11625

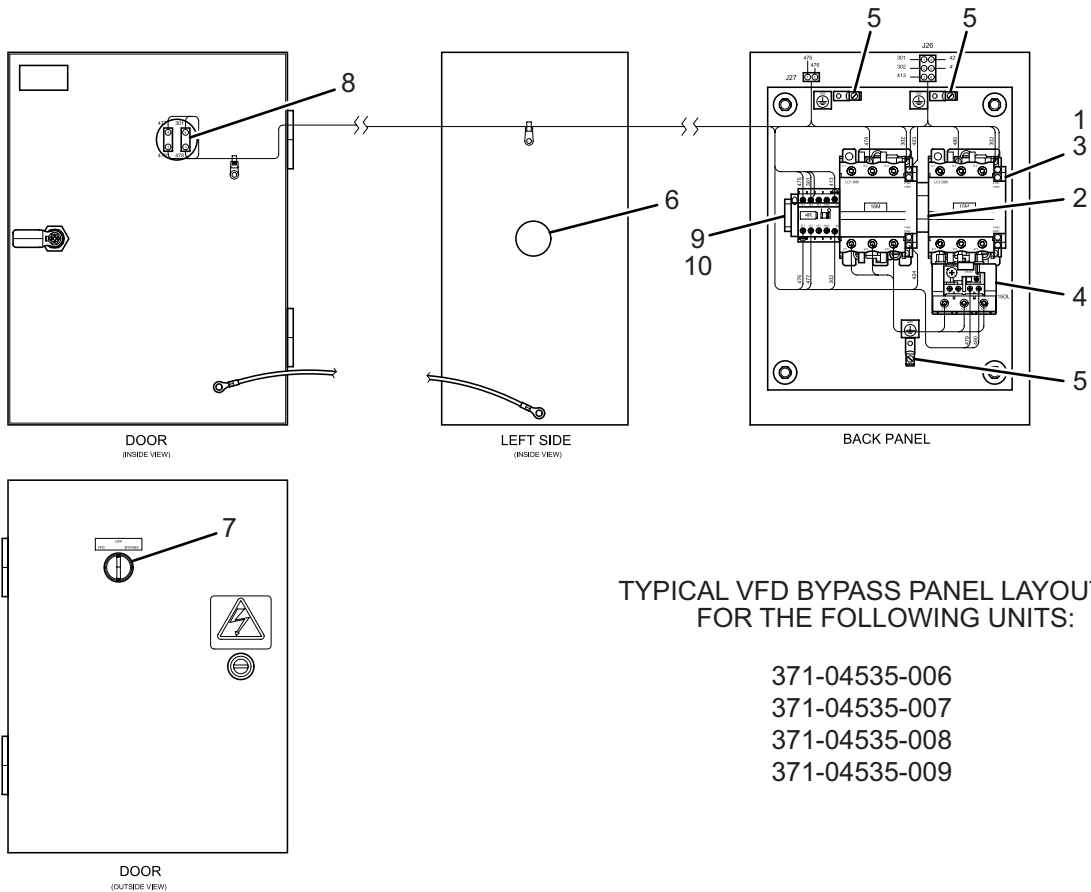


FIG. 41B - SUPPLY FAN VFD BYPASS PANEL REPLACEMENT PARTS

LD11626

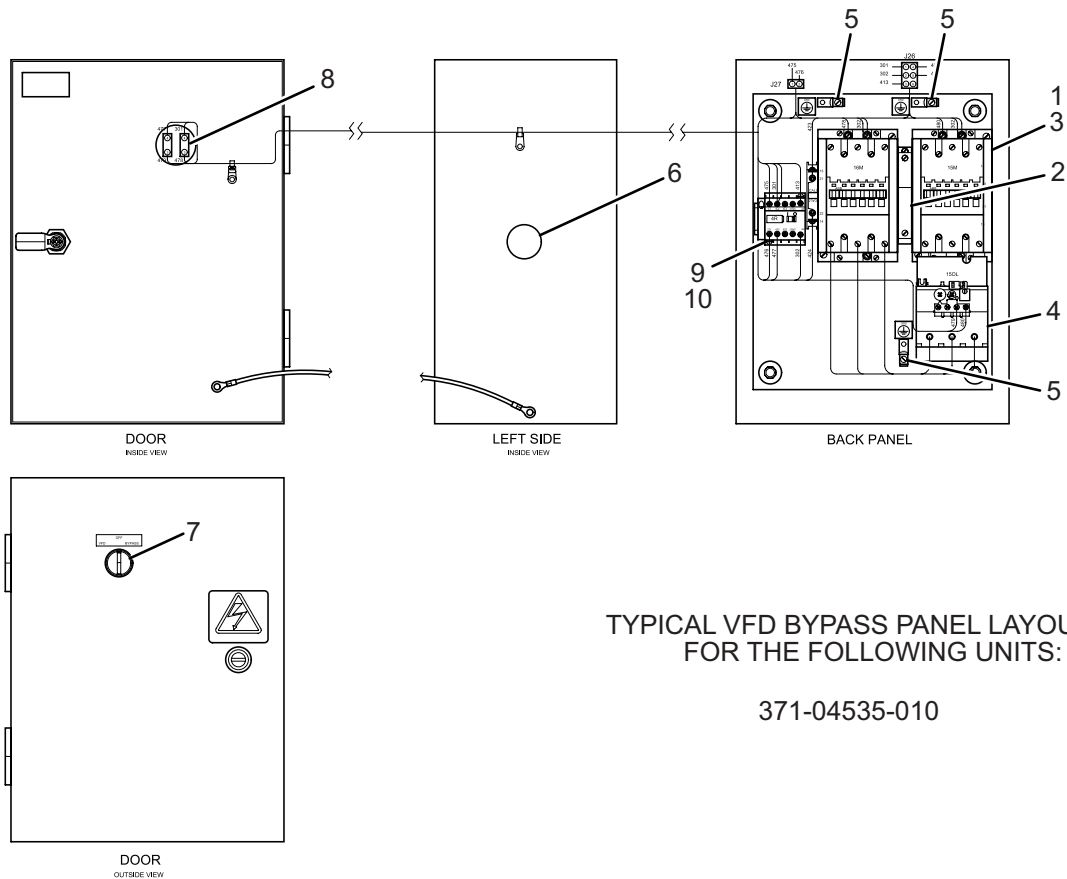


FIG. 41C - SUPPLY FAN VFD BYPASS PANEL REPLACEMENT PARTS

LD11627

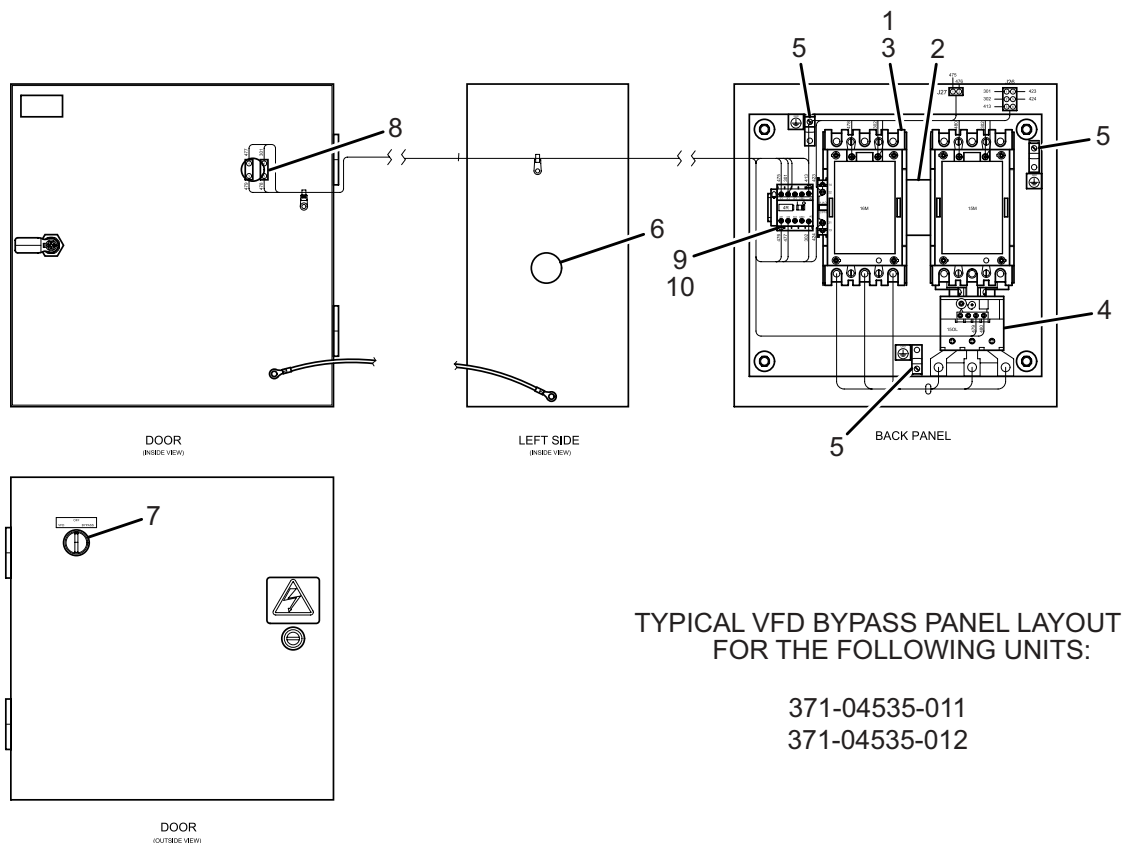


FIG. 41D - SUPPLY FAN VFD BYPASS PANEL REPLACEMENT PARTS

LD11628

TABLE 42 - FLEXSYS BYPASS DAMPER KIT

FIGURE	ITEM	DESCRIPTION	PART NUMBER
42	1	CONTROL DAMPER	CONTACT YORK SERVICE
42	2	ACTUATOR	
42	3	BLADE PIN EXTENSION	
42	4	FLEXSYS DAMPER KIT	385-20019-501
42	5	FLEXSYS CONTROLS KIT	385-20085-001

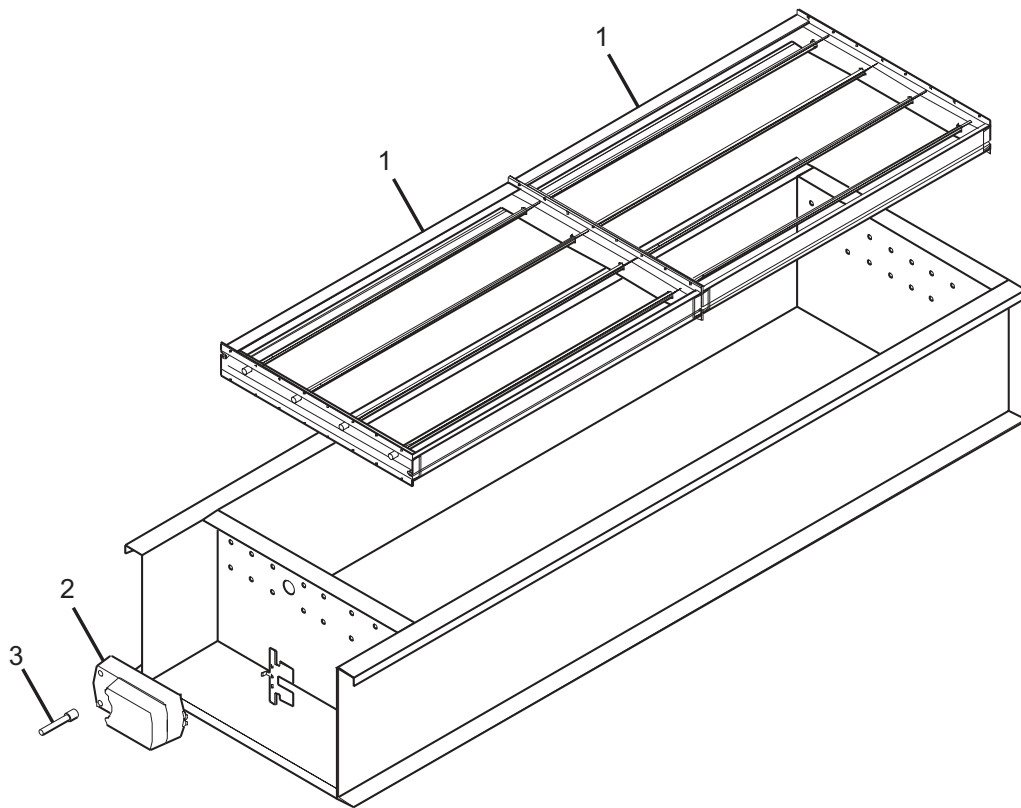
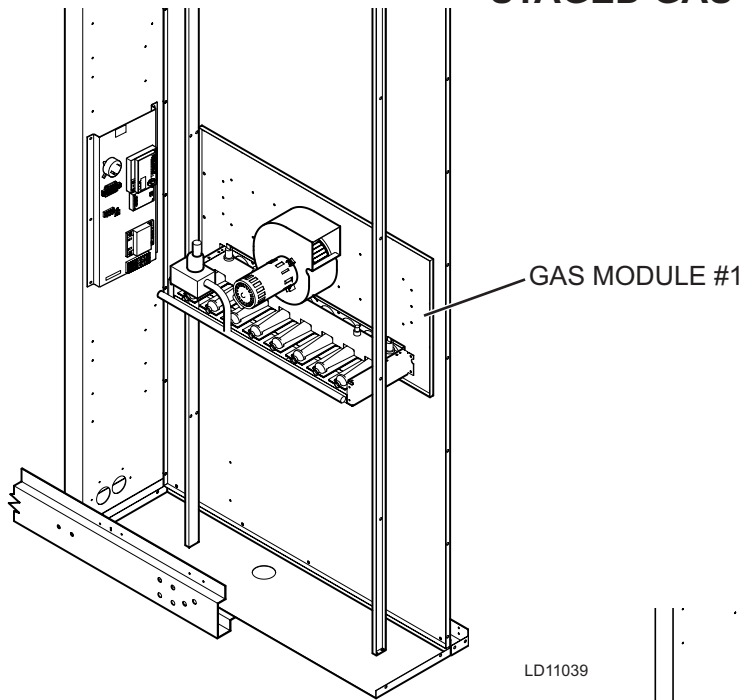


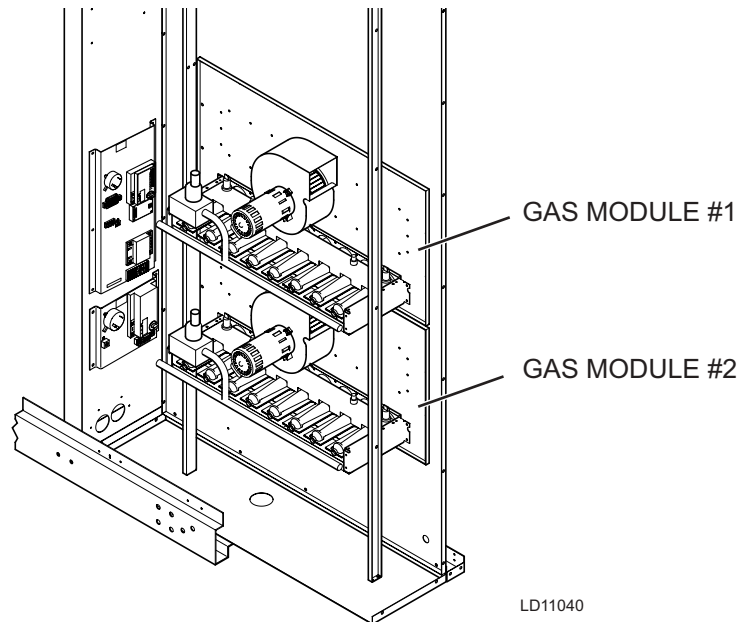
FIG. 42 - FLEXSYS BYPASS DAMPER KIT

LD11065

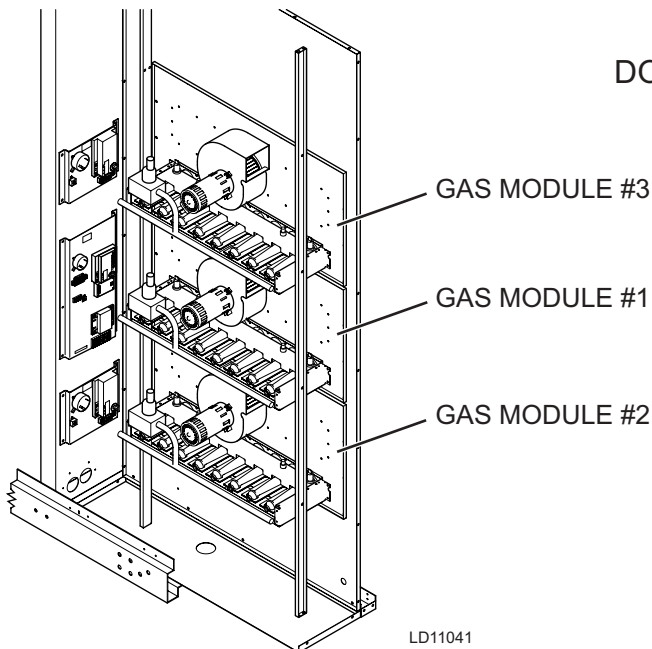
STAGED GAS HEAT



SINGLE BURNER ASSEMBLY



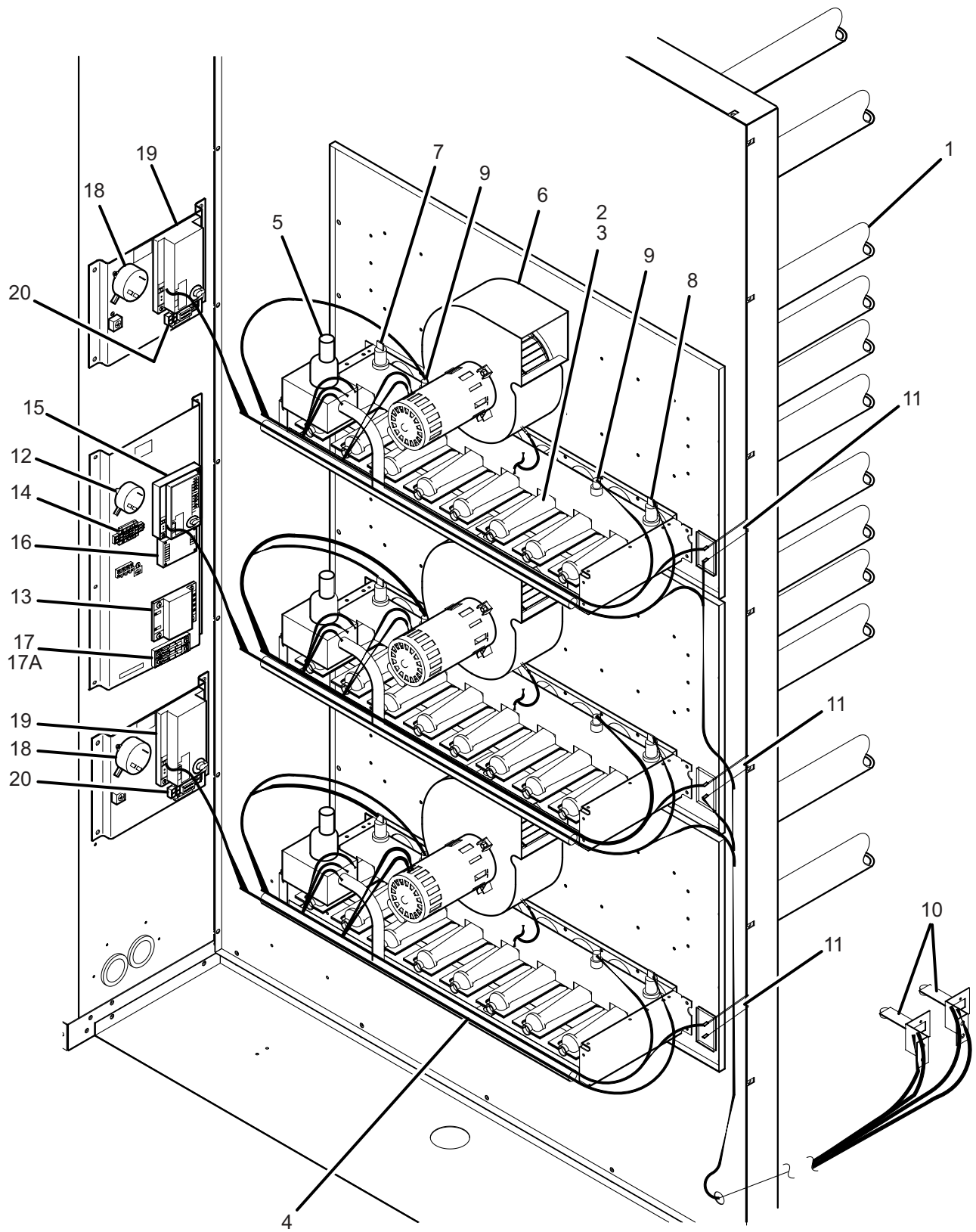
DOUBLE BURNER ASSEMBLY



TRIPLE BURNER ASSEMBLY

TABLE 43 - STAGED GAS HEAT

FIGURE	ITEM	DESCRIPTION	PART NUMBER
43	1	HEAT EXCHANGER ASSY, ALUMINIZED STEEL	026-36442-000
43	1	HEAT EXCHANGER ASSY, STAINLESS STEEL	026-36441-000
43	2	BURNER, NATURAL GAS	026-36440-000
43	2	BURNER, PROPANE	026-40812-000
43	3	ORIFICE, NATURAL GAS	023-20077-000
43	3	ORIFICE, PROPANE	023-21664-000
43	4	MANIFOLD	029-22038-000
43	5	PROPANE GAS VALVE CONVERSION KIT	025-35723-000
43	5	GAS VALVE	026-36402-000
43	6	COMBUSTION BLOWER MOTOR/FAN	026-36401-000
43	7	FLAME SENSOR	025-36314-000
43	8	SPARK IGNITOR	025-36313-000
43	9	ROLL-OUT SWITCH	025-36315-000
43	10	HIGH TEMP LIMIT SWITCH, 150° F	025-37507-001
43	11	HIGH TEMP LIMIT SWITCH, 140° F	025-36312-000
43	12	SWITCH, PRESSURE, -1.35" ON PRESSURE FALL	025-36379-001
43	13	TRANSFORMER, 110VA	025-40804-000
43	14	RELAY, MINIATURE	025-39357-000
43	15	IGNITION CONTROL	025-37648-000
43	16	DIGITAL INPUT, MULTIPLEXOR	025-36448-000
43	17	FUSEBLOCK, 2P, 30A	025-34427-000
43	17A	FUSE, 2A	025-38309-000
43	18	SWITCH, PRESSURE, -1.35" ON PRESSURE FALL	025-36379-001
43	19	IGNITION CONTROL	025-37648-000
43	20	RELAY, MINIATURE	025-39357-000

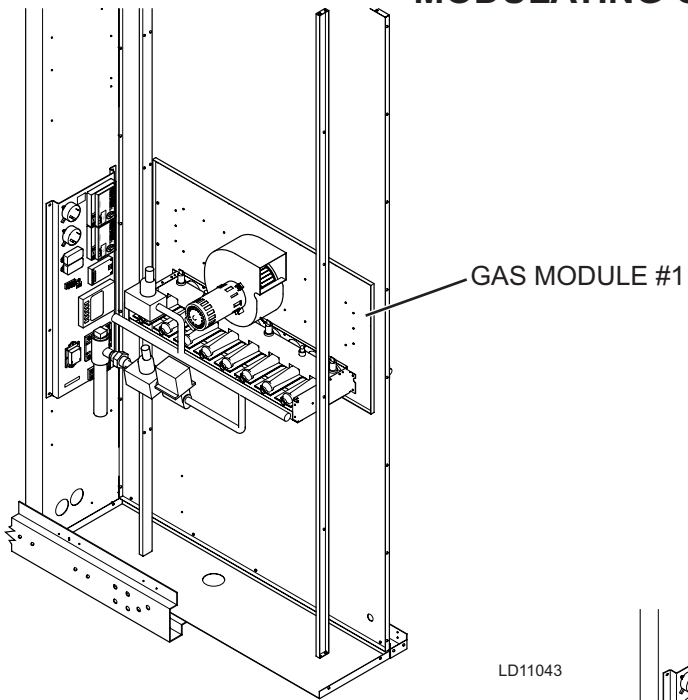


NOTE:
Triple Burner Assembly shown.

LD11042

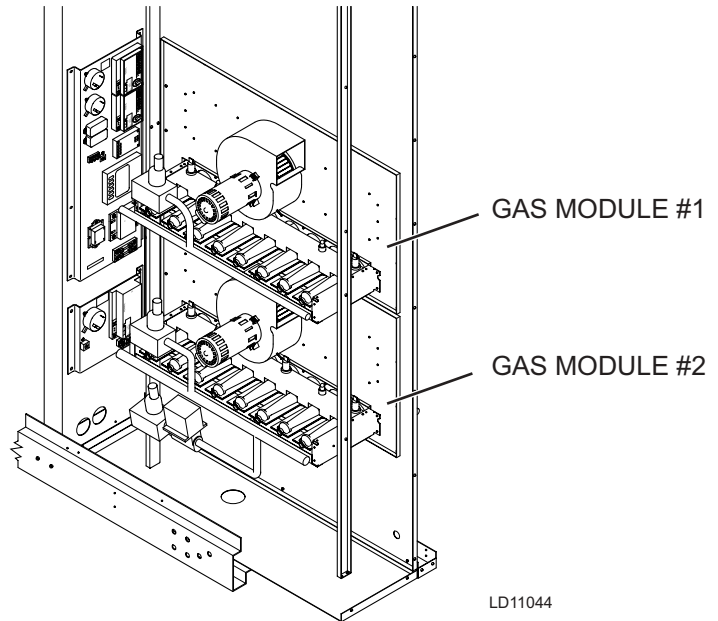
FIG. 43 - STAGED GAS HEAT

MODULATING GAS HEAT



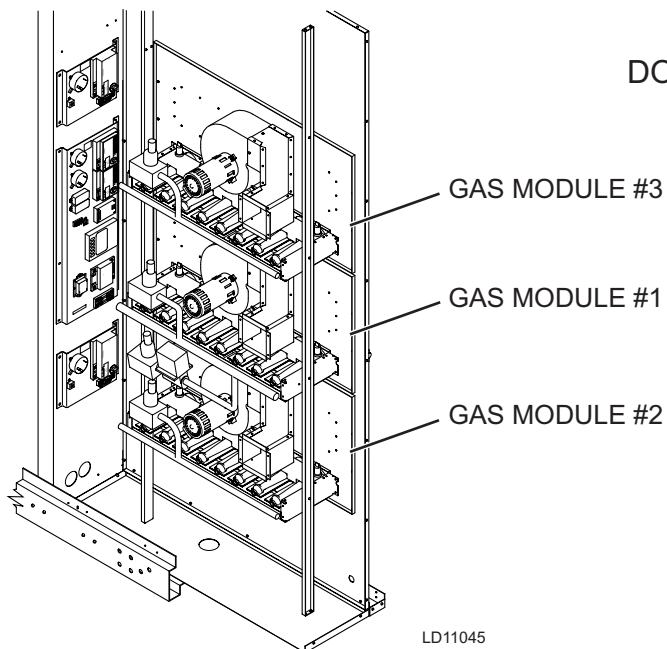
SINGLE BURNER ASSEMBLY

LD11043



DOUBLE BURNER ASSEMBLY

LD11044

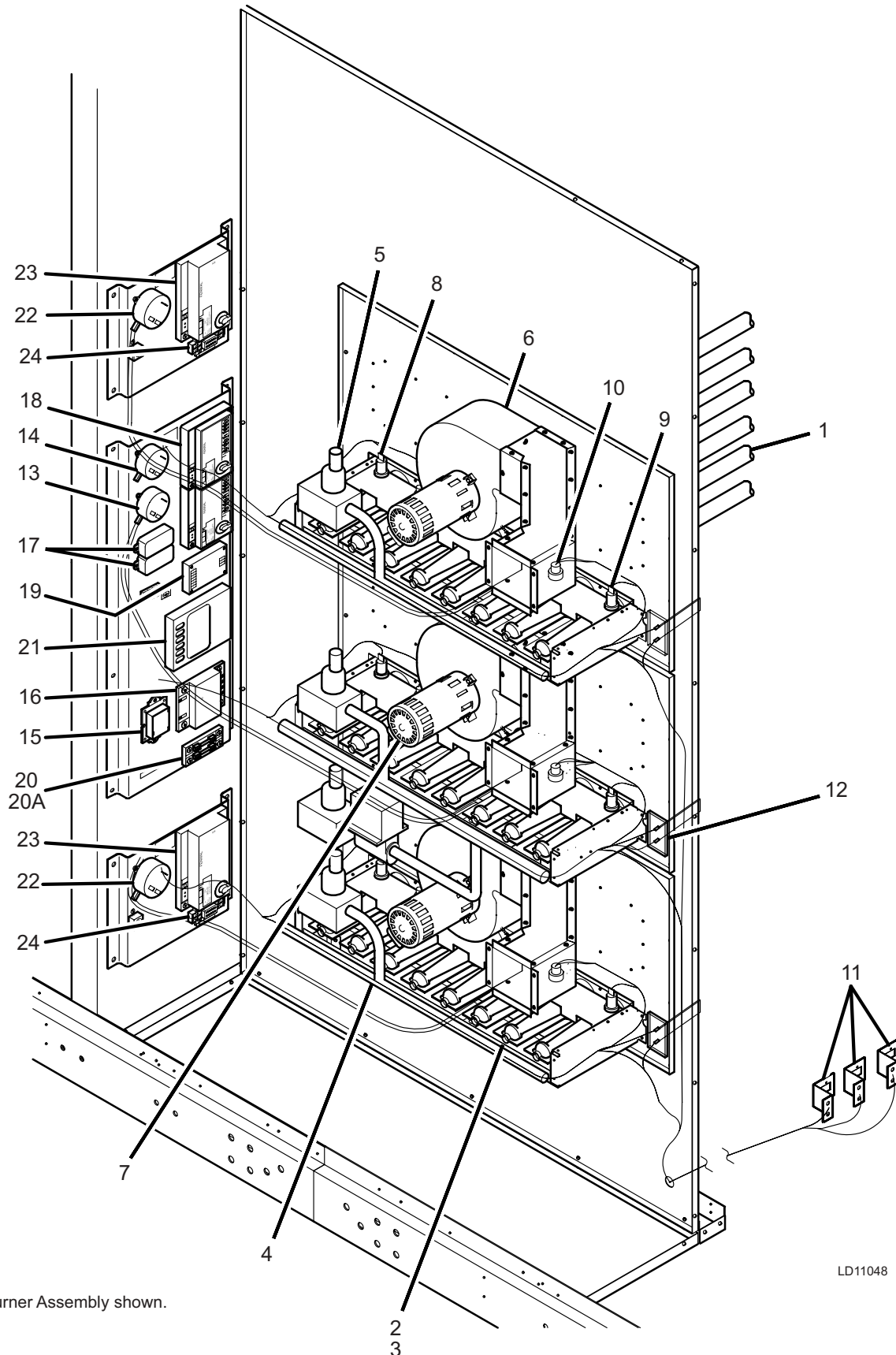


TRIPLE BURNER ASSEMBLY

LD11045

TABLE 44 - MODULATING GAS HEAT

FIGURE	ITEM	DESCRIPTION	PART NUMBER
44	1	HEAT EXCHANGER ASSY, ALUMINIZED STEEL	026-36442-000
44	1	HEAT EXCHANGER ASSY, STAINLESS STEEL	026-36441-000
44	2	BURNER, NATURAL GAS	026-36440-000
44	2	BURNER, PROPANE	026-40812-000
44	3	ORIFICE, NATURAL GAS	023-20077-000
44	3	ORIFICE, PROPANE	023-21664-000
44	4	MANIFOLD	029-22038-000
44	5	PROPANE GAS VALVE CONVERSION KIT	025-35723-000
44	5	GAS VALVE, PROPANE	025-36311-000
44	6	COMBUSTION BLOWER MOTOR/FAN	026-36401-000
44	7	COMBUSTION BLOWER MOTOR/FAN, 2-SPEED	026-42033-000
44	8	FLAME SENSOR	025-36314-000
44	9	SPARK IGNITOR	025-36313-000
44	10	ROLL-OUT SWITCH	025-36315-000
44	11	HIGH TEMP LIMIT SWITCH, 150° F	025-37507-001
44	12	HIGH TEMP LIMIT SWITCH, 140° F	025-36312-000
44	13	SWITCH, PRESSURE, -0.25" ON PRESSURE FALL	025-36379-003
44	14	SWITCH, PRESSURE, -1.50" ON PRESSURE FALL	025-36379-002
44	15	TRANSFORMER, CL-2	024-34331-000
44	16	TRANSFORMER, 100VA	025-40804-000
44	17	RELAY, 24VAC, DPDT	024-33137-000
44	18	IGNITION CONTROLLER	025-37648-000
44	19	DIGITAL INPUT, MULTIPLEXOR	025-36448-000
44	20	FUSEBLOCK, 2P, 30A	025-34427-000
44	20A	FUSE, 2A	025-38309-000
44	21	SIGNAL, CONDITION	025-36378-000
44	22	SWITCH, PRESSURE, -1.35" ON PRESSURE FALL	025-36379-001
44	23	IGNITION CONTROLLER	025-37648-000
44	24	RELAY, MINIATURE	025-39357-000



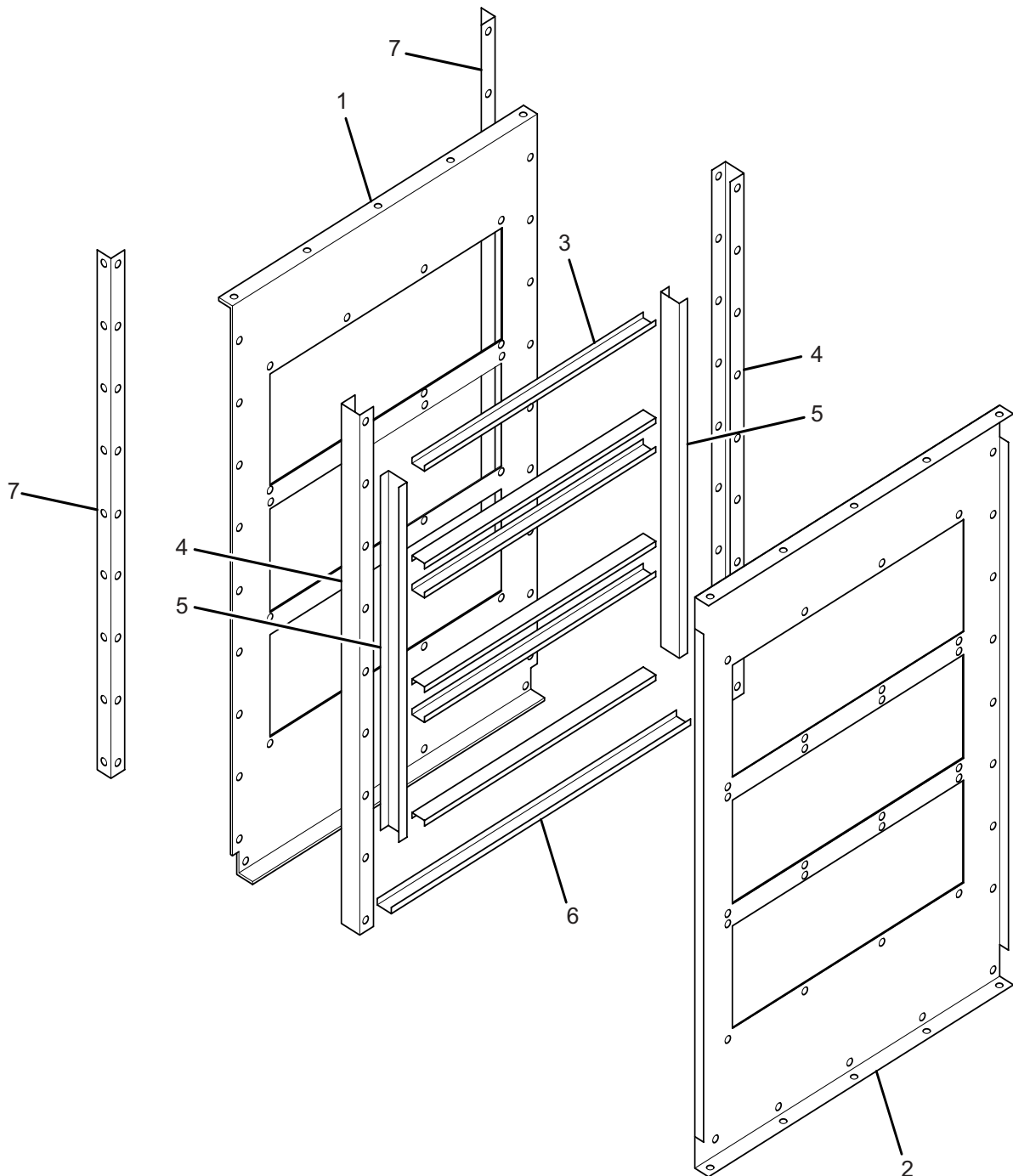
NOTE:
Triple Burner Assembly shown.

LD11048

FIG. 44 - MODULATING GAS HEAT

TABLE 45 - GAS HEAT FIREWALL TRIPLE ASSEMBLY (385-20046-140)

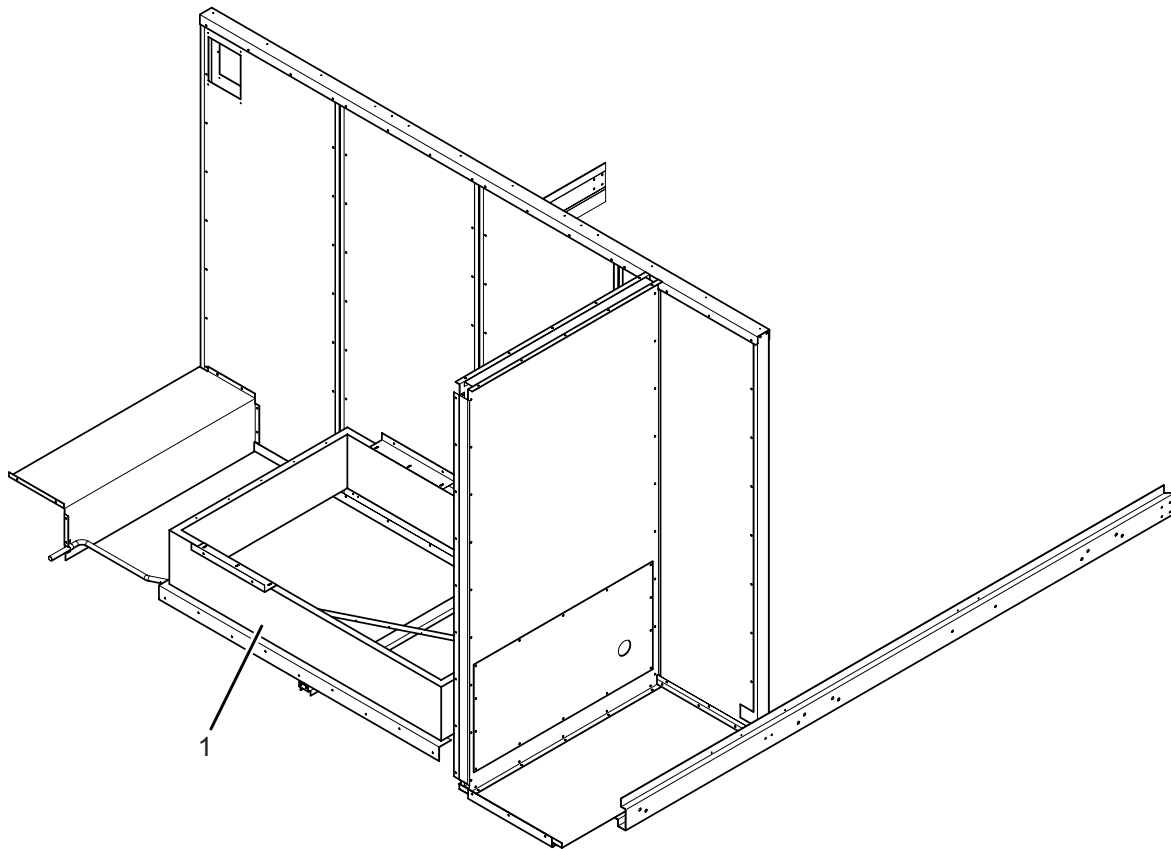
FIGURE	ITEM	DESCRIPTION	PART NUMBER
45	1	WALL, OUT GH FIREWALL TPL	085-20046-050
45	2	WALL, LINER GH FIREWALL TPL	085-20046-051
45	3	CHANNEL, HORIZONTAL, GH FIREWALL	085-20046-052
45	4	CHANNEL, SUPPORT FIREWALL	085-20046-053
45	5	CHANNEL, VERTICAL GH FIREWALL TPL	085-20046-055
45	6	CHANNEL, BOTTOM, GH FIREWAL	085-20046-066
45	7	ANGLE, SUPPORT FIREWALL	085-20046-067

**FIG. 45 - GAS HEAT FIREWALL TRIPLE ASSEMBLY**

LD11634

TABLE 46 - ELECTRIC HEATER COILS

FIGURE	ITEM	VOLTAGE	KILOWATTS	PART NUMBER
46	1	200 (17)	80	025-36485-002
46	1		108	025-36485-003
46	1	230 (28)	80	025-36485-005
46	1		108	025-36485-006
46	1	460 (46)	80	025-36485-018
46	1		108	025-36485-019
46	1		150	025-36485-020
46	1		200	025-36485-021
46	1		250	025-36485-022
46	1	575 (58)	80	025-36485-024
46	1		108	025-36485-025
46	1		150	025-36485-026
46	1		200	025-36485-027
46	1		250	025-36485-028
46	1	400 (45)	80	025-36485-013
46	1		108	025-36485-014
46	1		150	025-36485-015
46	1		200	025-36485-016



LD11061

FIG. 46 - ELECTRIC HEATER COILS

TABLE 47 - ELECTRIC HEAT ASSEMBLY

FIGURE	ITEM	DESCRIPTION	PART NUMBER
47	1	ANG ASP TUB SUPPORT	085-20000-003
47	2	ANG BOTTOM SUPPORT	085-20050-051
47	3	PNL ASSY	385-20019-104
47	4	PIPE SHIELD	085-20000-004
47	5	ASPIRATION TUBE	085-20114-000
47	6	CLAMP	075-50979-078
47	7	ANG TOP SUPPORT	085-20050-052
*	8	ELECTRIC HEAT MOUNTING KIT	385-20050-131

NOTE:

* Items are NOT shown.

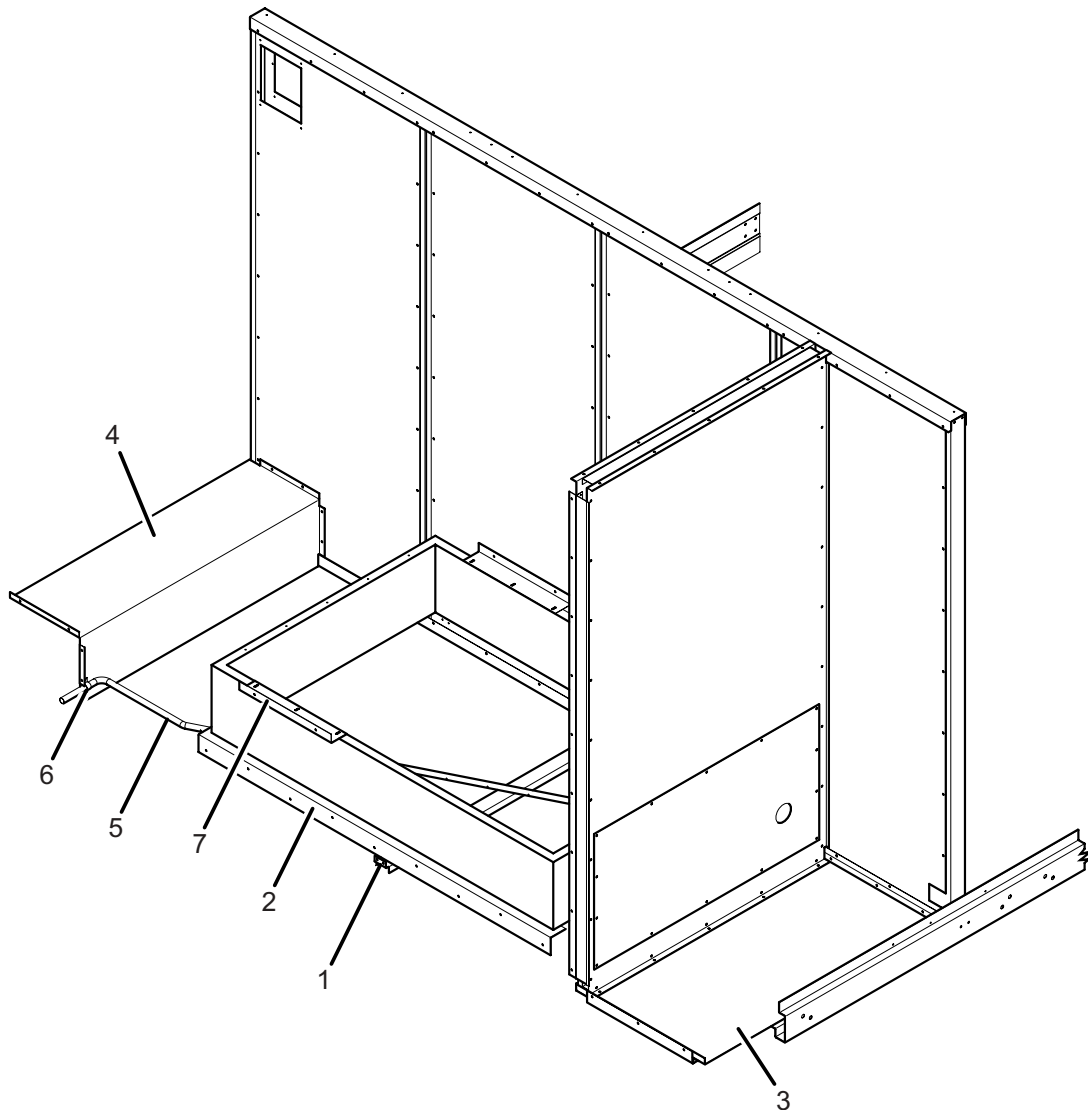
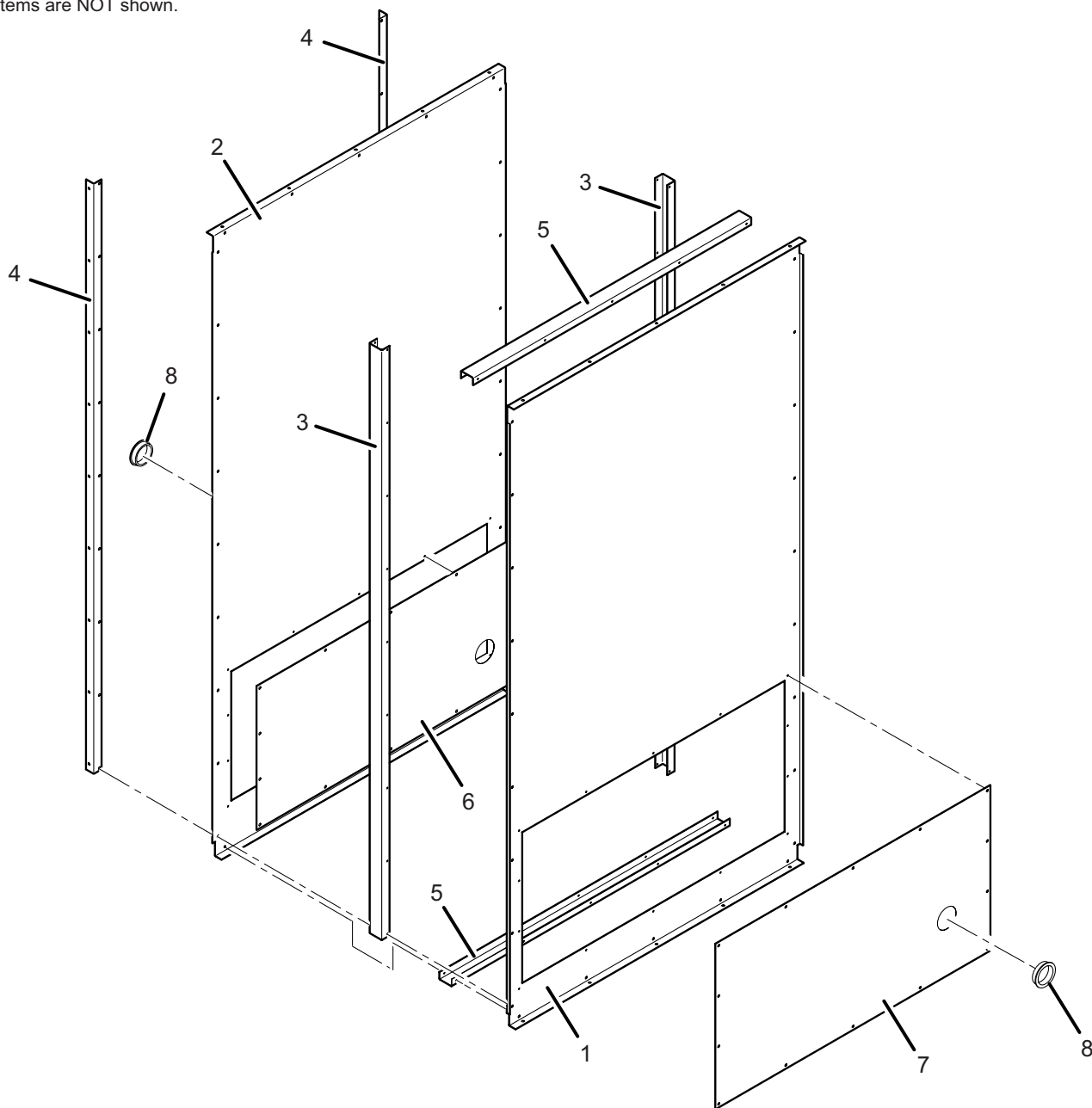
**FIG. 47 - ELECTRIC HEAT ASSEMBLY**

TABLE 48 - ELECTRIC HEAT FIREWALL ASSEMBLY (385-20050-132)

FIGURE	ITEM	DESCRIPTION	PART NUMBER
48	1	FIREWALL LINER EH	085-20050-053
48	2	FIREWALL OUT EH	085-20050-054
48	3	CHANNEL SUPPORT FIREWALL	085-20046-053
48	4	ANG SUPPORT FIREWALL	085-20046-067
48	5	CHANNEL SUPPORT FIREWALL	085-20050-055
48	6	PANEL OUT FIREWALL EH	085-20050-056
48	7	PANEL LINER FIREWALL EH	085-20050-057
48	8	BUSHING, SNAP, 2.469 ID	025-36322-000
*	9	GASKET, HI-TEMP, RED, .63W_.13THK	028-11796-000
*	10	INSULATION, FG, UNF, 1.0 THK 2.2#	010-06532-000

NOTE:

* Items are NOT shown.

**FIG. 48 - ELECTRIC HEAT FIREWALL ASSEMBLY**

LD11061

TABLE 49 - HOT WATER COIL ASSEMBLY

FIGURE	ITEM	DESCRIPTION	PART NUMBER
49	1	FIREWALL, HW, ST	085-20049-050
49	2	ANGLE, MOUNT HW	085-20049-051
49	3	SUPPORT, PLATE HW	085-20049-052
49	4	SUPPORT, HW COIL	085-20049-054
49	5	SUPPORT, HW COIL	085-20049-055
49	6	SUPPORT, HW COIL	085-20049-056
49	7	PLATE, COVER	085-20049-057
49	8	ESCUTCHEON, 6OD_1.88ID_.13THK	028-14910-008
49	9	LOW TEMP CUTOUT SWITCH	025-35787-002
49	10	MOUNTING PLATE FREEZESTAT	085-20049-059
49	11	CLIP, MOUNTING TEMP, CAPILLARY M648	026-33702-000
*	12	GASKET, HI-TEMP, RED, .63_.13THK	028-11796-000
49	13	ANGLE, SUPPORT FW	085-20046-067
49	14	PANEL, BOTTOM OUT DP EH	085-20019-023
49	15	PIPE SHIELD	085-20000-004
*	16	PANEL, BOTTOM HW, ST	085-20019-086

NOTE:

* Items are NOT shown.

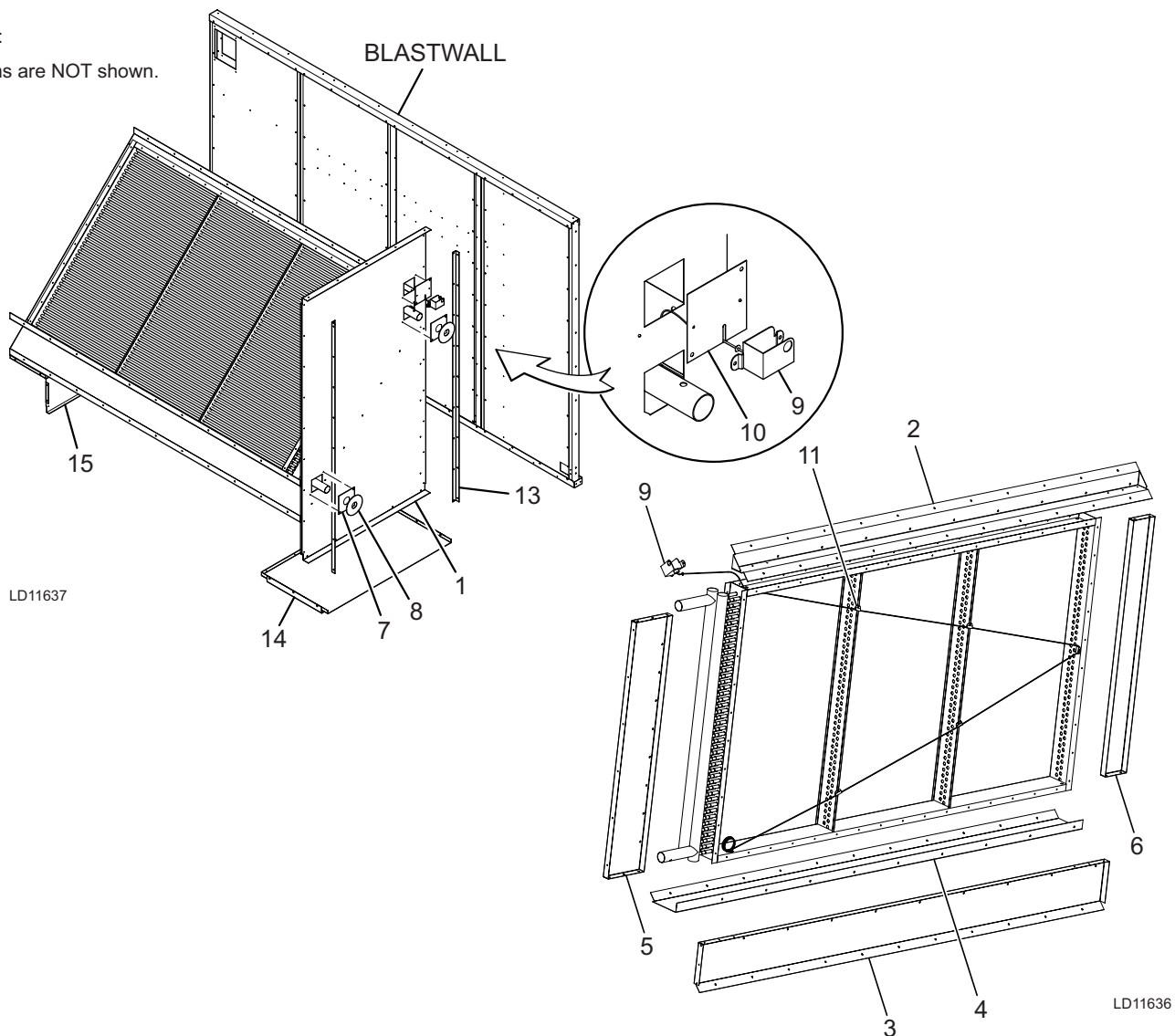
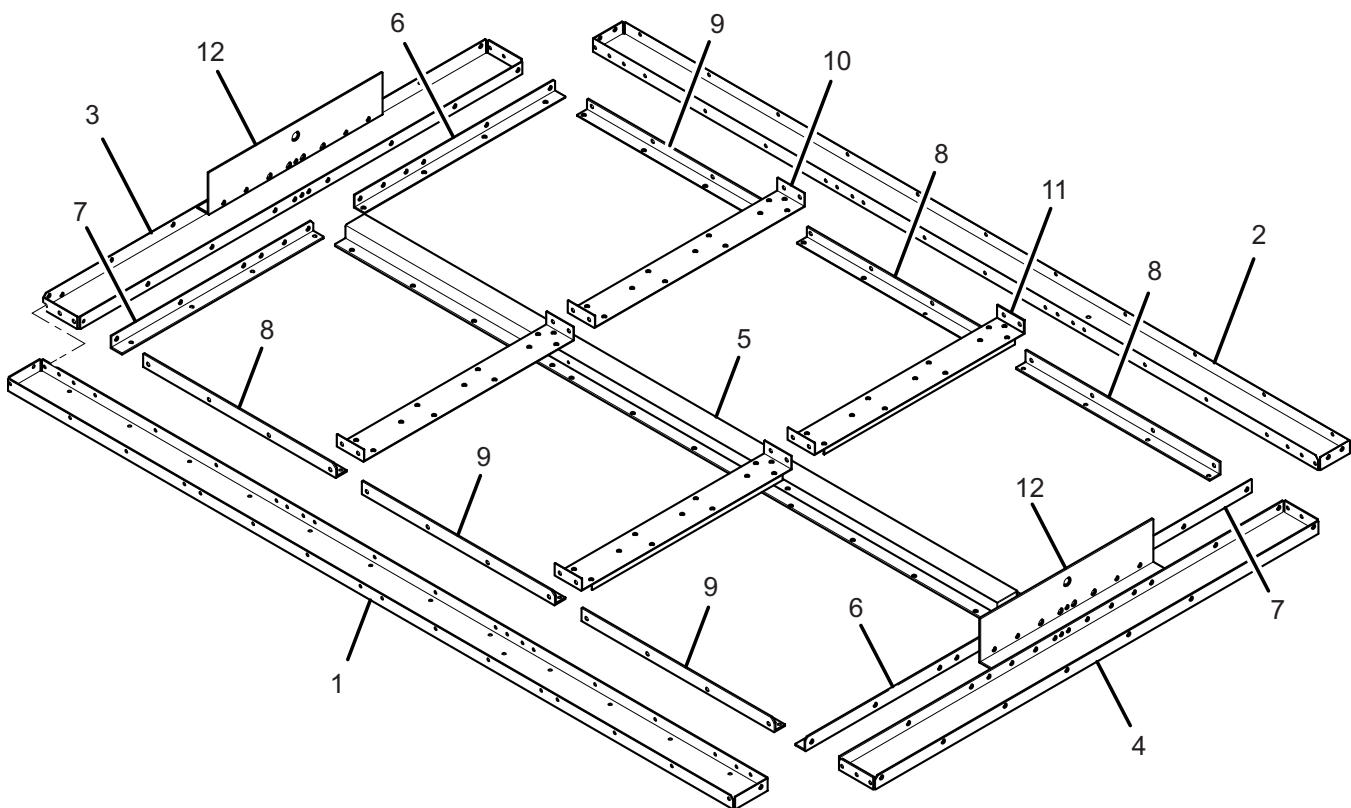


FIG. 49 - HOT WATER COIL ASSEMBLY

TABLE 50 - CONDENSER FAN DECK ASSEMBLY (385-20015-302)

FIGURE	ITEM	DESCRIPTION	PART NUMBER
50	1	CHANNEL, DECK BW SIDE	085-20014-000
50	2	CHANNEL, DECK END OUT	085-20014-001
50	3	CHANNEL, DECK LH	085-20014-002
50	4	CHANNEL, DECK RH	085-20014-003
50	5	CHANNEL, DECK MID	085-20014-004
50	6	BRACKET ORIFICE SUPPORT	085-20014-009
50	7	BRACKET ORIFICE SUPPORT	085-20014-012
50	8	BRACKET ORIFICE SUPPORT	085-20014-008
50	9	BRACKET ORIFICE SUPPORT	085-20014-019
50	10	SUPPORT ORIFICE LH	085-20014-022
50	11	SUPPORT ORIFICE RH	085-20014-021
50	12	ANGLE, LIFTING	085-20014-029



LD11066

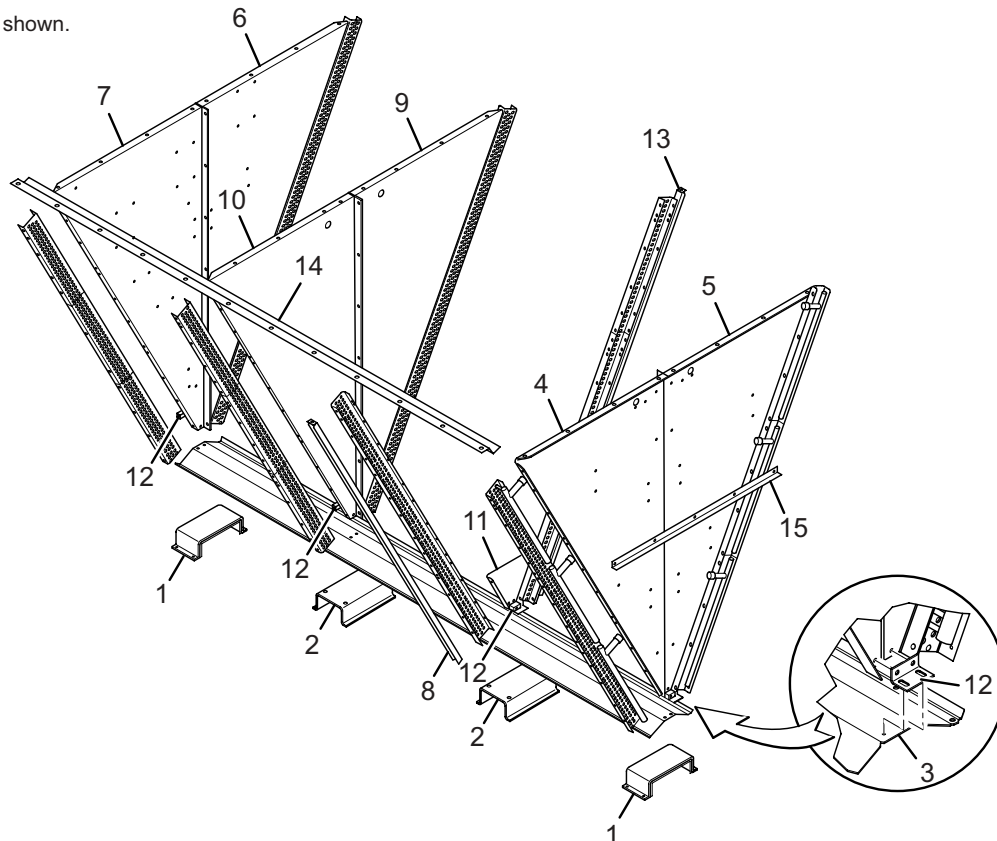
FIG. 50 - CONDENSER FAN DECK ASSEMBLY

TABLE 51 - CONDENSER COIL ASSEMBLY

FIGURE	ITEM	DESCRIPTION	PART NUMBER
51	1	SUPPORT, CONDENSER END (R-22)	085-20014-024
51	1	SUPPORT, CONDENSER END (R-407C)	085-20014-124
51	2	CHANNEL, SUPPORT CONDENSER COIL (R-22)	085-20014-013
51	2	CHANNEL, SUPPORT CONDENSER COIL (R-407C)	085-20014-113
51	3	W CHANNEL (R-22)	085-20014-010
51	3	W CHANNEL (R-407C)	085-20014-110
51	4	PANEL, V CONDENSER RH	085-20014-005
51	5	PANEL, V CONDENSER RH	085-20014-006
51	6	PANEL, V CONDENSER LH	085-20014-025
51	7	PANEL, V CONDENSER LH	085-20014-026
51	8	SUPPORT, COIL, BRACKET INNER	085-20014-014
51	9	PANEL, V CONDENSER MID	085-20014-035
51	10	PANEL, V CONDENSER MID	085-20014-036
51	11	WEDGE SUPPORT	085-20014-028
51	12	ANGLE, V PANEL	085-20014-030
51	13	SUPPORT, COIL BRACKET OUTER	085-20014-034
51	14	BLOCKOFF, CONDENSER FAN	085-20014-015
51	15	SUPPORT, V PANEL	085-20014-037
*	16	SUPPORT, BASE, COND COIL	085-20014-011
*	17	SUPPORT, COMPRESSOR BASE	085-20014-017
*	18	SUPPORT, COMPRESSOR	085-20014-018

NOTE:

* Items are NOT shown.



LD11067

FIG. 51 - CONDENSER COIL ASSEMBLY

TABLE 52A - CONDENSER COILS (ALUMINUM FIN)

SIZE	POSITION	DESCRIPTION	PART NUMBER
106-115	INNER	COIL, COND, 28H 127W2R, AL, R-22	385-20039-100
106-115	OUTER	COIL, COND, 28H 127W2R, AL, R-22	385-20039-101
130	INNER	COIL, COND, 28H 127W3R, AL, R-22	385-20039-150
130	OUTER	COIL, COND, 28H 127W3R, AL, R-22	385-20039-151
130	INNER	COIL, COND, 28H 127W4RD, AL, 407C	385-20039-550
130	OUTER	COIL, COND, 28H 127W4RD, AL, 407C	385-20039-551

TABLE 52B - CONDENSER COILS (COPPER FIN)

SIZE	POSITION	DESCRIPTION	PART NUMBER
106-115	INNER	COIL, COND, 28H 127W2R, CU, R-22	385-20039-130
106-115	OUTER	COIL, COND, 28H 127W2R, CU, R-22	385-30029-131
130	INNER	COIL, COND, 28H 127W3R, CU, R-22	385-20039-180
130	OUTER	COIL, COND, 28H 127W3R, CU, R-22	385-20039-181
130	INNER	COIL, COND, 28H 127W4RD, CU, 407C	385-20039-580
130	OUTER	COIL, COND, 28H 127W4RD, CU, 407C	385-20039-581

TABLE 52C - CONDENSER COILS (PRE-COAT BLACK FIN)

SIZE	POSITION	DESCRIPTION	PART NUMBER
106-115	INNER	COIL, COND, 28H 127W2R, PCT, R-22	385-20039-110
106-115	OUTER	COIL, COND, 28H 127W2R, PCT, R-22	385-20039-111
130	INNER	COIL, COND, 28H 127W3R, PCT, R-22	385-20039-160
130	OUTER	COIL, COND, 28H 127W3R, PCT, R-22	385-20039-161
130	INNER	COIL, COND, 28H 127W4RD, PCT, 407C	385-20039-560
130	OUTER	COIL, COND, 28H 127W4RD, PCT, 407C	385-20039-561

TABLE 52D - CONDENSER COILS (POST-COAT TECHNICOAT FIN)

SIZE	POSITION	DESCRIPTION	PART NUMBER
106-115	INNER	COIL, COND, TCT, R-22	CONTACT YORK SERVICE
106-115	OUTER	COIL, COND, TCT, R-22	
130	INNER	COIL, COND, TCT, R-22	
130	OUTER	COIL, COND, TCT, R-22	

TABLE 53A - CONDENSER DISCHARGE HEADER

FIGURE	ITEM	DESCRIPTION	PART NUMBER
53	1	LH, DISCHARGE HEADER, 106-130T, R-22	023-22512-100
53	1	RH, DISCHARGE HEADER, 106-130T, R-22	023-22512-101
53	2	PLUG, SEALING, 1.125	044-01372-001

TABLE 53B - CONDENSER LIQUID HEADER

FIGURE	ITEM	DESCRIPTION	PART NUMBER
53	3	RH, LIQUID HEADER, 106-130T, R-22	023-22513-101
53	3	LH, LIQUID HEADER, 106-130T, R-22	023-22513-100
53	4	RH, LIQUID HEADER, 130T, R407C	023-22513-111
53	4	LH, LIQUID HEADER, 130T, R407C	023-22513-110
53	5	CAP, SEALING, 0.875 ID, VINYL	028-15420-000

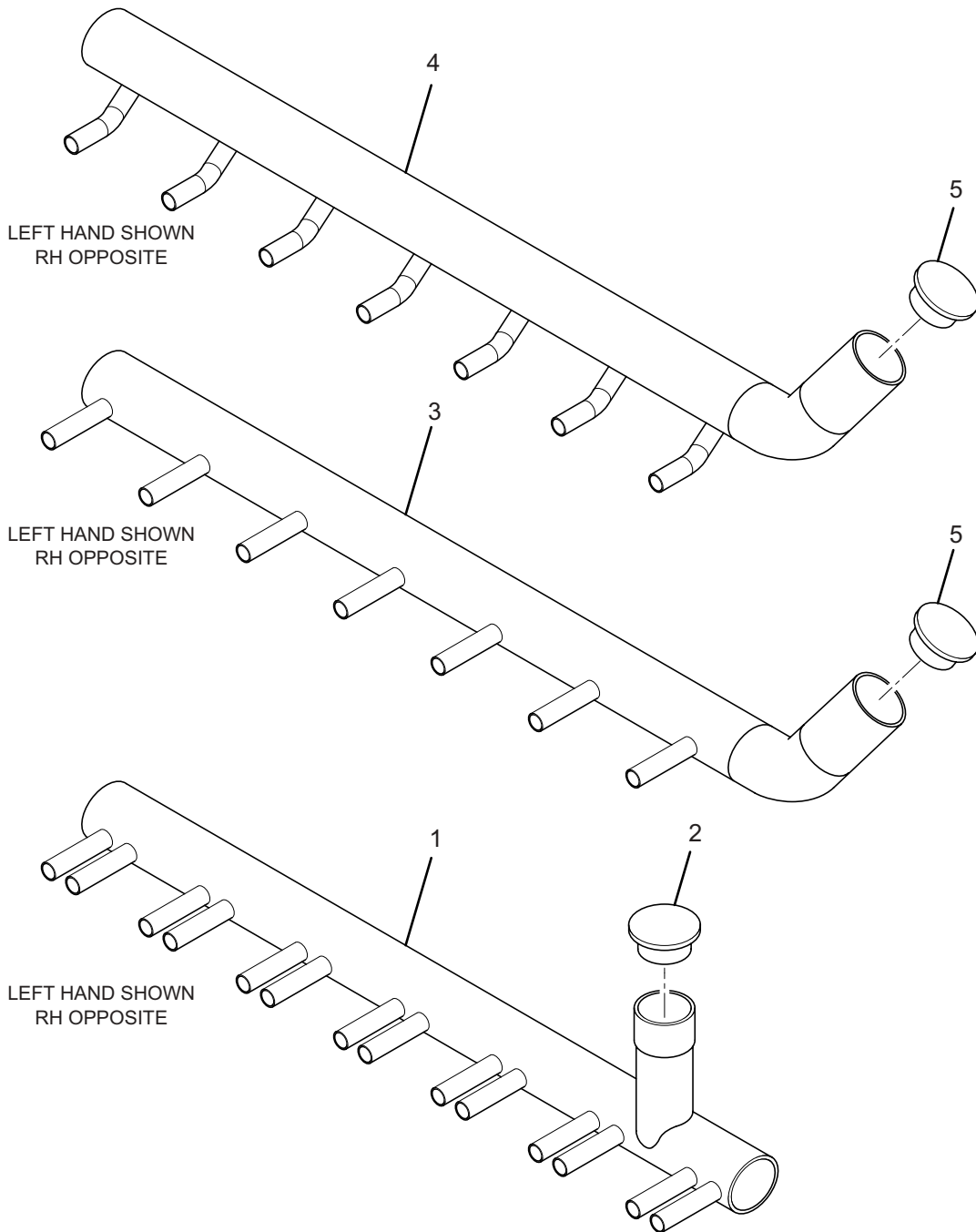


FIG. 53 - CONDENSER DISCHARGE/LIQUID HEADERS

TABLE 54 - CONDENSER FAN ASSEMBLY

FIGURE	ITEM	DESCRIPTION	PART NUMBER
54	1	GUARD, WIRE, 900MM DIA.	026-35605-000
54	2	FAN, IMPELLER, 900MM (35.20")	026-41594-000
54	3	SUPPORT, COND MOTOR, WIRE FRAME	026-36366-000
54	4	MOTOR SUPPORT RING	026-36367-000
54	5	SPACER, FAN, MOTOR	075-40484-000
54	6	SPACER, FAN, MOTOR	075-29007-000
54	7	SCREW, HC, M8 1.25LG-6G	021-18494-000
54	8	ORIFICE, CONDENSER, 36.0	026-36384-000
54	9	FAN MOTOR, 200V (17)	024-27322-003
		FAN MOTOR, 230V (28)	024-27322-006
		FAN MOTOR, 460V (46)	024-27322-005
		FAN MOTOR, 400V-50 (45)	024-27322-005
		FAN MOTOR, 575V (58)	024-27322-002

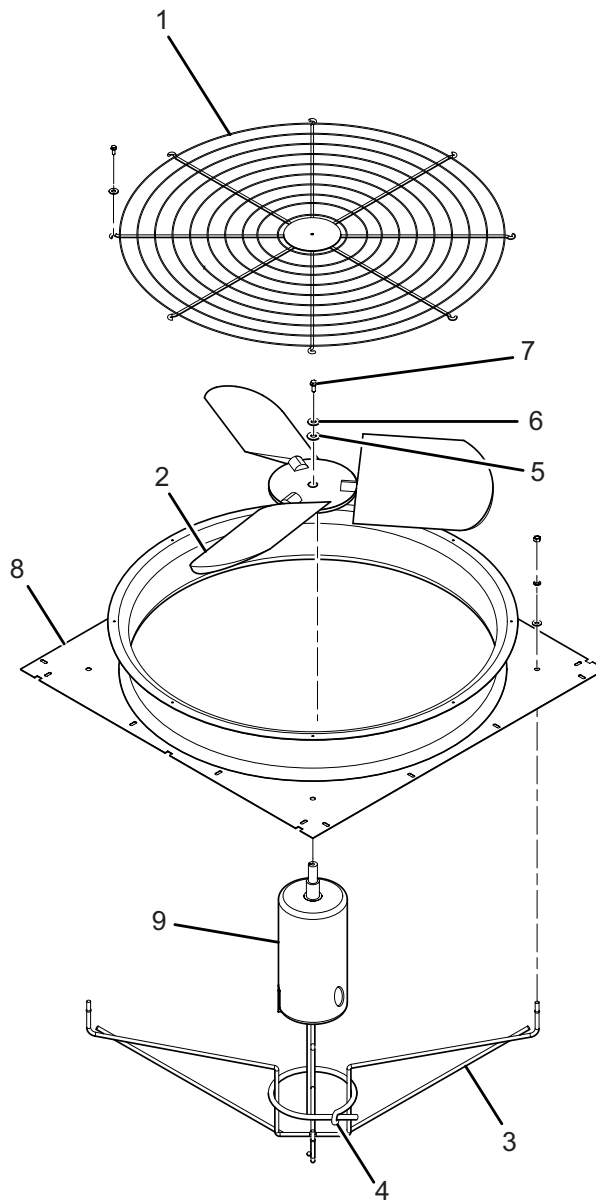


FIG. 54 - CONDENSER FAN ASSEMBLY

LD11050

TABLE 55 - CONDENSER FAN WIRING

FIGURE	ITEM	DESCRIPTION	PART NUMBER
55	1	HARNESS, POWER COND FANS 1-3-5	025-36453-001
55	2	HARNESS, POWER COND FANS 2-4-6	025-36453-002
55	3	HARNESS, POWER COND FAN 1	025-36454-001
55	4	HARNESS, POWER COND FAN 2	025-36454-002
55	5	HARNESS, POWER COND FAN 3	025-36454-003
55	6	HARNESS, POWER COND FAN 4	025-36454-004
55	7	HARNESS, POWER COND FAN 5	025-36454-005
55	8	HARNESS, POWER COND FAN 6	025-36454-006
55	9	BOX, JUNCTION, WATERTIGHT, 4X4	025-40191-000
55	10	BUSHING, SNAP, 1.0 OD	025-14284-000
55	11	FITTING, LIQUID TIGHT, .5NPT	025-28720-000

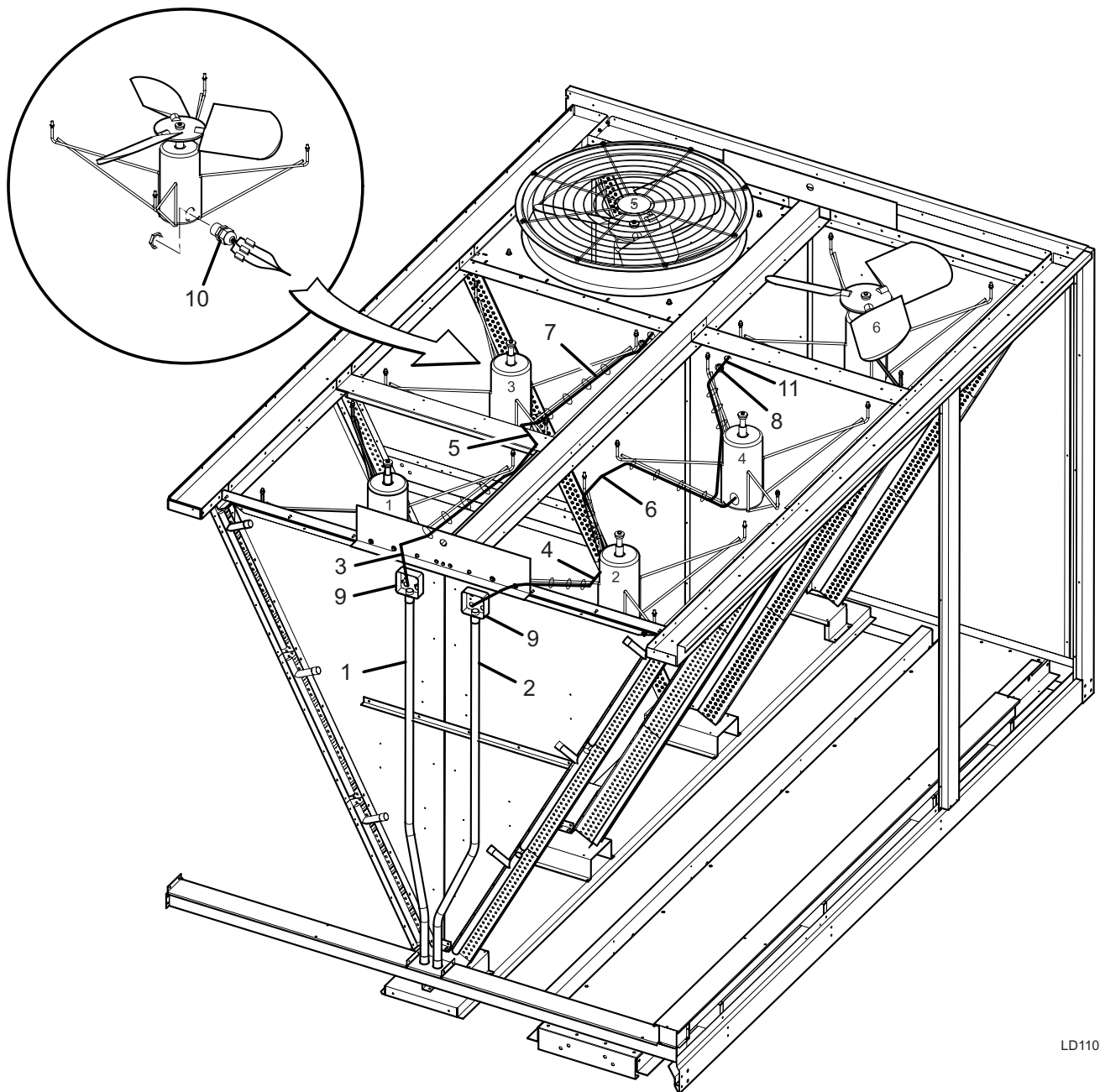


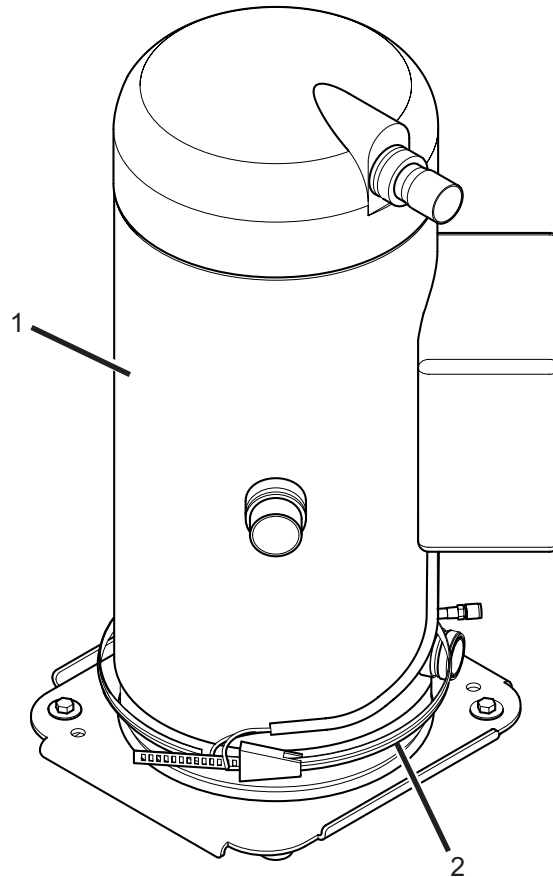
FIG. 55 - CONDENSER FAN WIRING

TABLE 56 - COPELAND SCROLL COMPRESSORS

FIG	ITEM	CAP	HP	VOLTAGE (VOLT)	HZ	PART NUMBER	KIT PART NUMBER
R-22							
57	1	106/110	15	200, 230 (17, 28)	60	015-04008-101	385-20040-101
57	1	106/110	15	460 (46)	60	015-04008-104	385-20040-102
57	1	106/110	15	575 (58)	60	015-04008-105	385-20040-103
57	1	106/110	15	400 (45)	50	015-04008-104	385-20040-102
57	1	115	15	200, 230 (17, 28)	60	015-04008-101	385-20040-101
57	1	115	15	460 (46)	60	015-04008-104	385-20040-102
57	1	115	15	575 (58)	60	015-04008-105	385-20040-103
57	1	115	15	400 (45)	50	015-04008-104	385-20040-102
57	1	115	20	200, 230 (17, 28)	60	015-02891-101	385-20040-201
57	1	115	20	460 (46)	60	015-02891-104	385-20040-202
57	1	115	20	575 (58)	60	015-02891-105	385-20040-203
57	1	115	20	400 (45)	50	015-02891-104	385-20040-202
57	1	130	20	200, 230 (17, 28)	60	015-02891-101	385-20040-301
57	1	130	20	460 (46)	60	015-02891-104	385-20040-302
57	1	130	20	575 (58)	60	015-02891-105	385-20040-303
57	1	130	20	400 (45)	50	015-02891-104	385-20040-302
R-407C							
57	1	106/110	15	200, 230 (17, 28)	60	015-04008-301	385-20040-111
57	1	106/110	15	460 (46)	60	015-04008-304	385-20040-112
57	1	106/110	15	575 (58)	60	015-04008-305	385-20040-113
57	1	106/110	15	400 (45)	50	015-04008-304	385-20040-112
57	1	115	15	200, 230 (17, 28)	60	015-04008-301	385-20040-111
57	1	115	15	460 (46)	60	015-04008-304	385-20040-112
57	1	115	15	575 (58)	60	015-04008-305	385-20040-113
57	1	115	15	400 (45)	50	015-04008-304	385-20040-112
57	1	115	20	200, 230 (17, 28)	60	015-02891-301	385-20040-211
57	1	115	20	460 (46)	60	015-02891-304	385-20040-212
57	1	115	20	575 (58)	60	015-02891-305	385-20040-213
57	1	115	20	400 (45)	50	015-02891-304	385-20040-212
57	1	130	20	200, 230 (17, 28)	60	015-02891-301	385-20040-311
57	1	130	20	460 (46)	60	015-02891-304	385-20040-312
57	1	130	20	575 (58)	60	015-02891-305	385-20040-313
57	1	130	20	400 (45)	50	015-02891-304	385-20040-312

TABLE 57 - CRANKCASE HEATERS

FIGURE	ITEM	UNIT CAPACITY	HP	COMPRESSOR P/N	HEATER P/N	VOLTAGE/WATTAGE
57	2	106/110	15	015-04008-101	025-37888-000	120/70
57	2	106/110	15	015-04008-104	025-37888-000	120/70
57	2	106/110	15	015-04008-105	025-37888-000	120/70
57	2	115	15	015-04008-101	025-37888-000	120/70
57	2	115	15	015-04008-104	025-37888-000	120/70
57	2	115	15	015-04008-105	025-37888-000	120/70
57	2	115	20	015-02891-101	025-37852-000	120/120
57	2	115	20	015-02891-104	025-37852-000	120/120
57	2	115	20	015-02891-105	025-37852-000	120/120
57	2	130	20	015-02891-101	025-37852-000	120/120
57	2	130	20	015-02891-104	025-37852-000	120/120
57	2	130	20	015-02891-105	025-37852-000	120/120



LD11064

FIG. 57 - COPELAND SCROLL COMPRESSORS / CRANKCASE HEATERS

TABLE 58 - COMPRESSOR SOUND BLANKETS

MANUFACTURER	SIZE (HP)	DESCRIPTION	PART NUMBER
COPELAND	106, 110 (15HP)	COMPRESSOR SOUND BLANKET	010-06507-002
COPELAND	115 (15 HP)	COMPRESSOR SOUND BLANKET	010-06507-002
COPELAND	115 (20 HP)	COMPRESSOR SOUND BLANKET	010-06507-001
COPELAND	130 (20 HP)	COMPRESSOR SOUND BLANKET	010-06507-400

TABLE 59 - COMPRESSOR TANDEM BASE 15HP/15HP

FIGURE	ITEM	DESCRIPTION	PART NUMBER
59	1	COMPRESSOR TANDEM BASE 15/15	085-20107-504
59	2	TUBING, CU 1.63 OD X .060 WALL	085-20107-021
59	3	TUBING, CU 1.63 OD X .060 WALL	085-20107-020
59	4	TUBING, CU 1.13 OD X .050 WALL	085-20107-030
59	5	TUBING, CU 1.13 OD X .050 WALL	085-20107-031
59	6	TUBING, CU .875 OD X .045 WALL	085-20107-032
59	9	VALVE, RECIEVER, PACK ANGLE, 927	022-09754-000
59	10	FITTING, SADDLE, 1.13_.50DF	023-20040-000
59	12	FITTING, CU, RED, FTGXC, 2.13_1.63	023-16233-000
59	13	FITTING, CU, TEE, CXCXC2.13_2.13_1.63	023-07584-000
59	14	SWITCH, PRESSURE, LPCO	025-36388-002
59	15	VALVE, ASSY W/O CORE	023-06596-000
59	16	FITTING, SADDLE, 1.63_.25FPT	023-20064-002
59	*	INDICATOR, MOIST LIQUID	026-41616-000
59	19	FITTING, CU, TEE CXCXC 1.13	023-00247-000
59	20	FITTING, SADDLE	023-20052-000
59	21	SWITCH, PRESSURE, HPCO	025-28985-002
59	22	KIT, ISOLATOR COMPRESSOR	328-15080-000
59	23	KIT, SPACER, STEEL	328-15326-000
59	24	SCREW, HC, GR2, COAT, .31-16_2.25	021-19561-000
59	25	NUT, INSERT, PLTD, .31-18	021-19513-000
59	26	GASKET, 1.5 OD 1.38 ID .06 THK	028-15077-000
59	27	TRANSDUCER, SUCTION	025-29139-002
59	28	TRANSDUCER, DISCHARGE	025-29139-001

NOTE:

* Items are NOT shown.

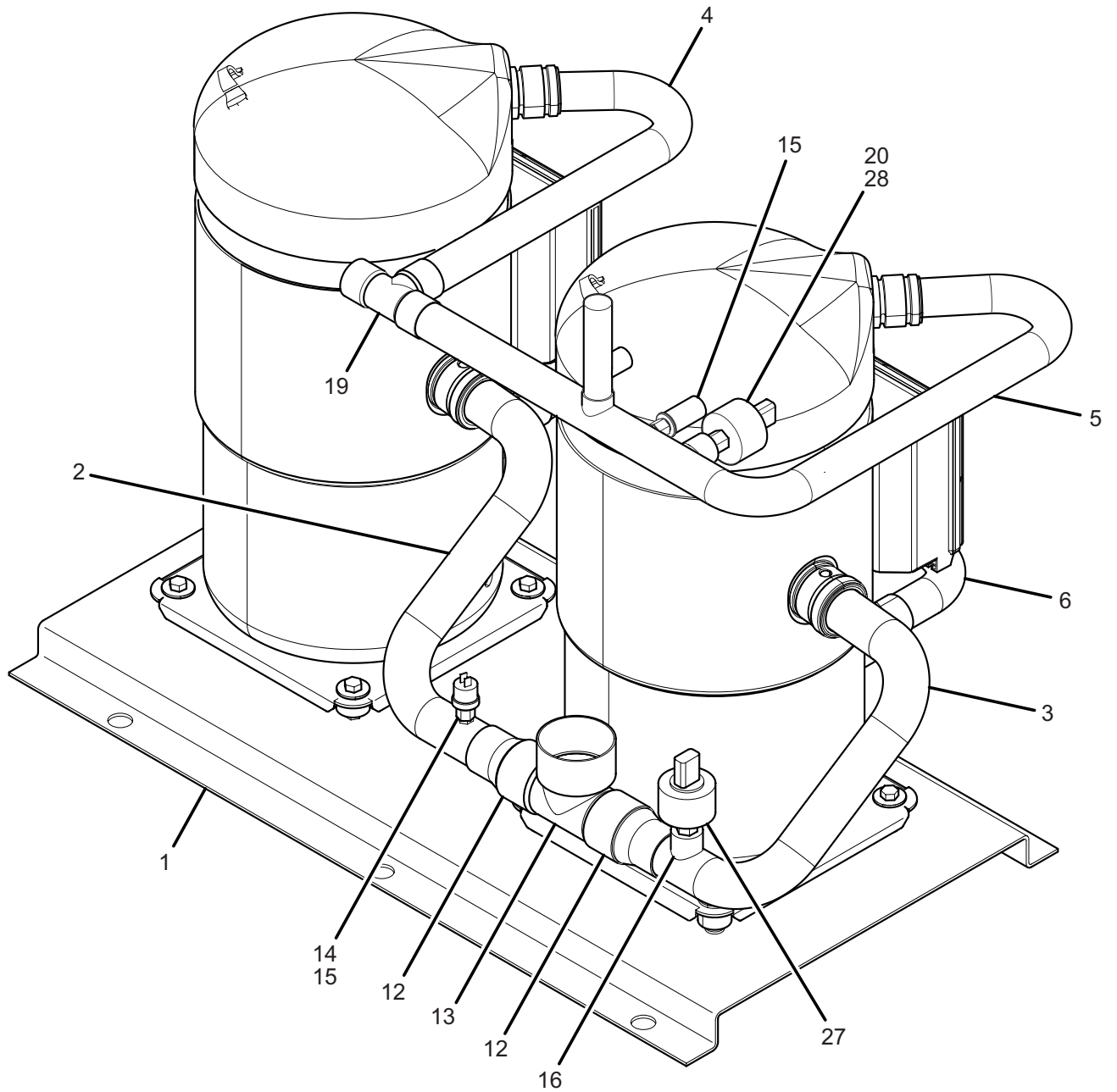


FIG. 59 - COMPRESSOR TANDEM BASE 15/15 (385-20107-100)

TABLE 60 - COMPRESSOR TANDEM BASE 20HP/15HP

FIGURE	ITEM	DESCRIPTION	PART NUMBER
60	1	COMPRESSOR TANDEM BASE 20/15	085-20107-503
60	2	TUBING, CU 1.63 OD X .060 WALL	085-20107-013
60	3	TUBING, CU 1.63 OD X .060 WALL	085-20107-014
60	4	TUBING, CU 1.63 OD X .060 WALL	085-20107-024
*	5	TUBING, CU 1.38 OD X .055 WALL	085-20107-016
60	6	TUBING, CU 1.13 OD X .050 WALL	085-20107-029
60	7	VALVE, RECIEVER, PACK ANGLE	022-09754-000
60	8	FITTING, CU, RED, FTGXC, 2.13_1.63	023-16233-000
60	9	FITTING, CU, TEE, CXCXC, 2.13_2.13_1.63	023-07584-000
60	10	SWITCH, PRESSURE, LPCO	025-36388-002
60	11	VALVE, ASSY W/O CORE	023-06596-000
60	12	FITTING, SADDLE, 1.63_.25FPT	023-20064-002
60	13	FITTING, CU, TEE 1.38_1.13_1.38	023-05703-000
60	14	NUT, COMPRESSOR, .88 OD	023-21925-000
60	15	SLEEVE, COMPRESSOR, TUBE .88 OD	023-21926-000
60	16	WASHER, FLOW, PLTD	021-31729-000
60	17	SWITCH, PRESSURE, HPCO	025-28985-002
60	18	KIT, ISOLATOR, COMPRESSOR	328-15080-000
60	19	KIT, SPACER, STEEL	328-15326-000
60	20	TUBING, CU 0.88 OD X .045 WALL	085-20107-025
60	21	TUBING, CU 0.88 OD X .045 WALL	085-20107-027
60	22	INDICATOR, MOIST LIQUID	026-41616-000
60	23	GASKET, 1.5 OD 1.38 ID .06 THK	028-15077-000

NOTE:

* Items are NOT shown.

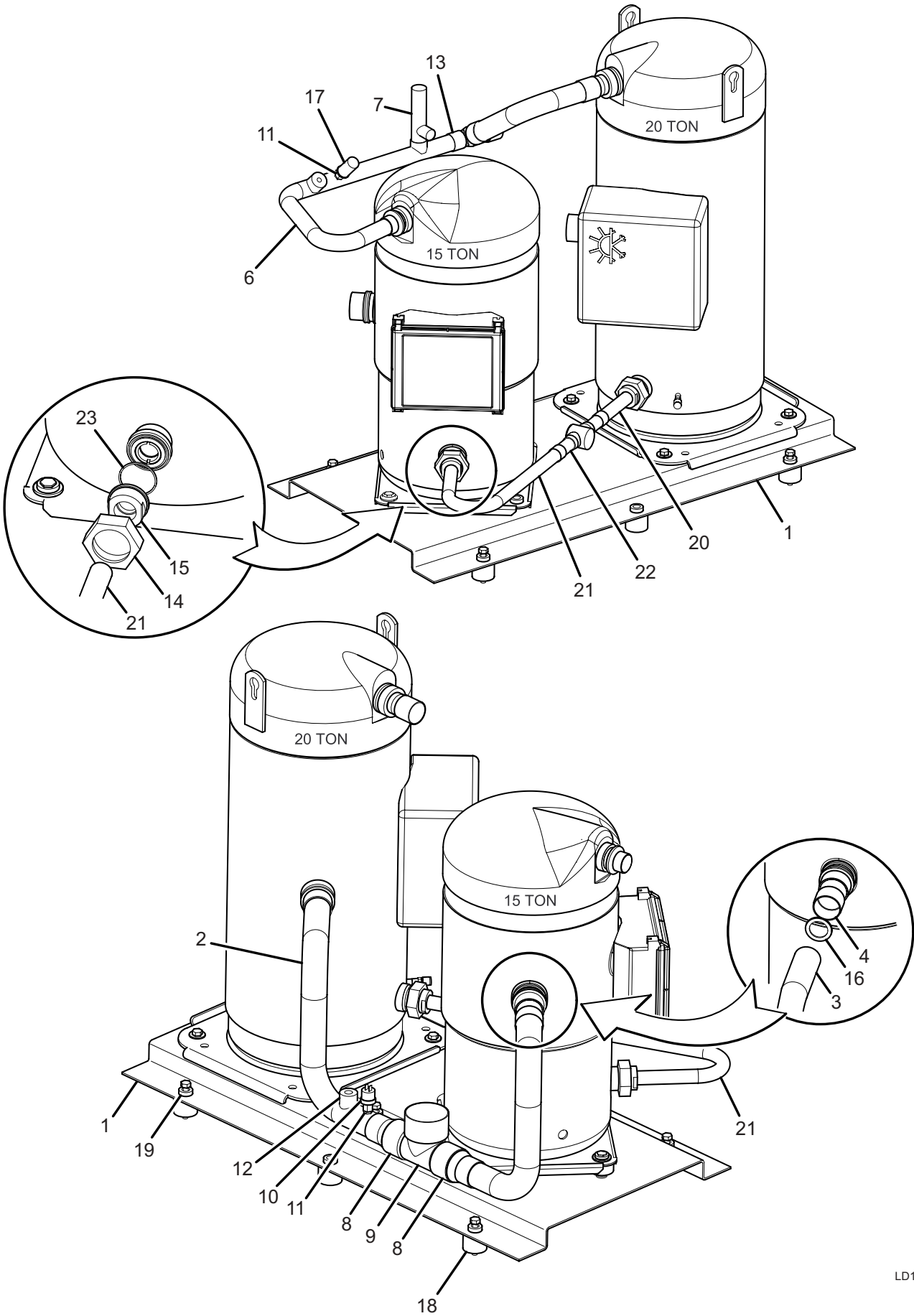


FIG. 60 - COMPRESSOR TANDEM BASE 20/15

TABLE 61 - COMPRESSOR TANDEM BASE 20HP/20HP

FIGURE	ITEM	DESCRIPTION	PART NUMBER
61	1	COMPRESSOR TANDEM BASE	085-20107-501
61	2	BRACKET, COMPRESSOR SUB ASSY	085-20107-502
61	4	TUBING, CU 1.625 OD X .060 WALL	085-20107-001
61	5	TUBING, CU 1.625 OD X .060 WALL	085-20107-002
61	6	TUBING, CU 1.375 OD X .055 WALL	085-20107-003
61	7	TUBING, CU 1.375 OD X .055 WALL	085-20107-004
61	8	TUBING, CU 1.375 OD X .055 WALL	085-20107-005
61	9	VALVE, RELIEF, .5MPT, .63 FLR	022-08881-000
61	10	FITTING, SADDLE, 1.38, .5 FPT	023-20038-001
61	11	VALVE, RECIEVER, PACK ANGLE, 927	022-09754-000
61	12	FITTING, SADDLE, 1.38, .5ODF	023-20040-001
61	13	ADAPTER, STR, 1-3/4-12 UNF	023-20854-000
61	14	FITTING, CU, RED, FTGXC, 2.13, 1.63	023-16233-000
61	15	FITTING, CU, TEE, CXCXC2.13, 2.13, 1.63	023-07584-000
61	16	SWITCH, PRESSURE, LPCO	025-36388-002
61	17	VALVE, ASSY W/O CORE	023-06596-000
61	18	FITTING, SADDLE, 1.63, .25FPT	023-20064-002
61	19	INDICATOR, MOIST LIQUID	026-37545-000
61	20	INDICATOR, MOIST LIQUID	026-37548-000
61	21	FITTING, CU, TEE CXCXC1.38, 1.38, 1.38	023-00248-000
61	22	FITTING, SADDLE, 2.63, .25FPT	023-20094-001
61	23	SWITCH, PRESSURE, HPCO	025-28985-002
61	24	GASKET, 1.5 OD 1.38 ID .06 THK	028-15077-000
61	25	NUT, INSERT, PLTD, .31-18	021-19513-000
61	26	KIT, SPACER, STEEL	328-15326-000
61	27	TRANSDUCER, DISCHARGE	025-29139-001
61	28	TRANSDUCER, SUCTION	025-29139-002
*	29	KIT, ISOLATOR COMPRESSOR	328-15080-000

NOTE:

* Items are NOT shown.

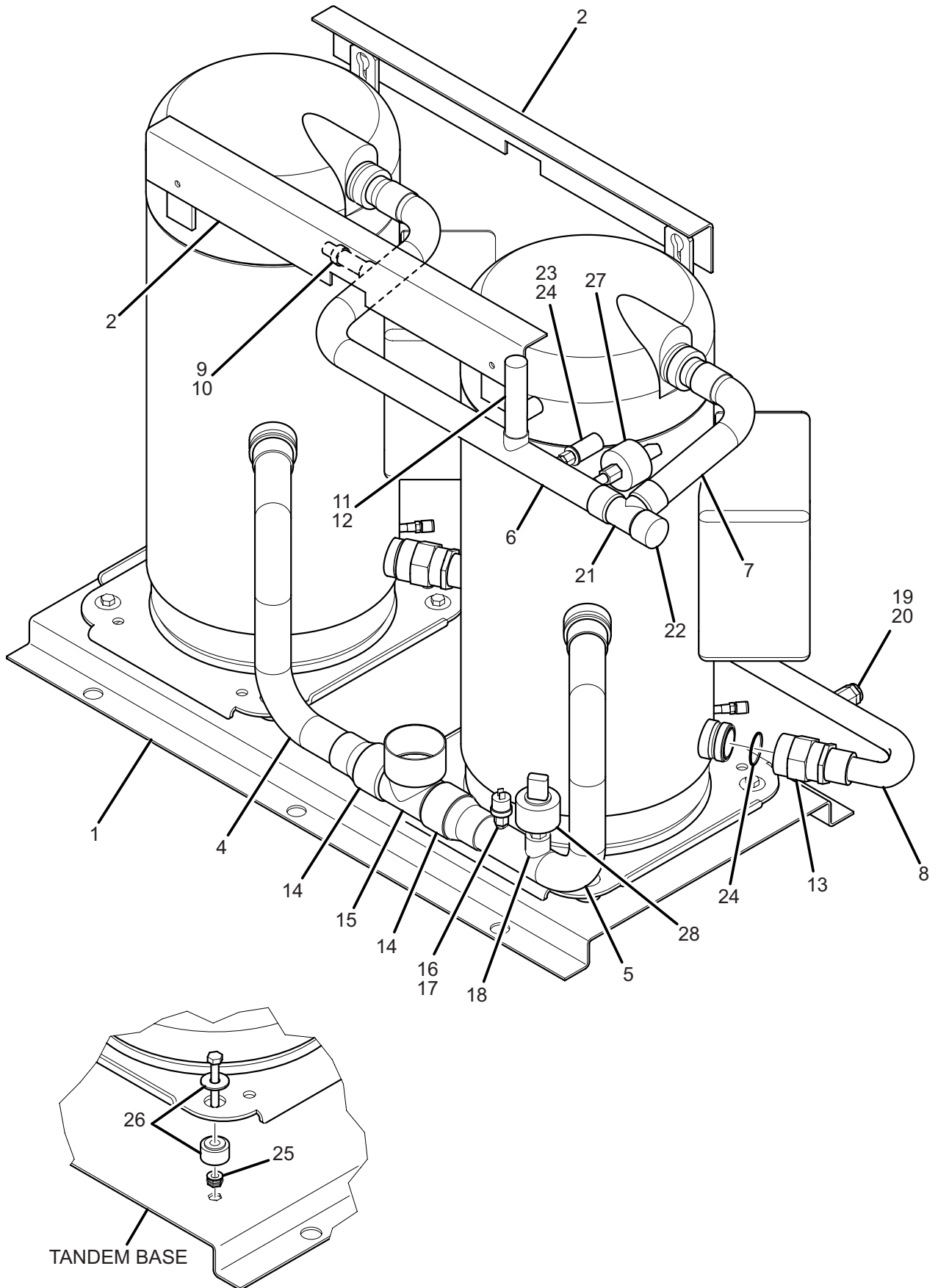


FIG. 61 - COMPRESSOR TANDEM BASE 20/20

TABLE 62A - PIPING HGBP SYS 1 / NO SHUTOFF (385-20106-300)

FIGURE	ITEM	DESCRIPTION	PART NUMBER
63	1	PIPING COMMON SUCTION	385-20108-300
65	2	PIPING SUCTION NO SHUTOFF	385-20108-302
66	3	PIPING LIQUID COMMON	385-20109-300
67	4	PIPING DISCHARGE COMMON	385-20110-300
68	5	PIPING HGBP COMMON	385-20111-300
70	5	PIPING HGBP SYS 1	385-20111-302
72	8	PIPING DISTRIBUTOR COMMON	385-20112-300

TABLE 62B - PIPING HGBP SYS 1 W/ SHUTOFF (385-20106-301)

FIGURE	ITEM	DESCRIPTION	PART NUMBER
63	1	PIPING COMMON SUCTION	385-20108-300
64	2	PIPING SUCTION SHUTOFF	385-20108-301
66	3	PIPING LIQUID COMMON	385-20109-300
67	4	PIPING DISCHARGE COMMON	385-20110-300
68	5	PIPING HGBP COMMON	385-20111-300
70	6	PIPING HGBP SYS 1	385-20111-302
72	7	PIPING DISTRIBUTOR COMMON	385-20112-300

TABLE 62C - PIPING W/ HGBP (385-20106-302)

FIGURE	ITEM	DESCRIPTION	PART NUMBER
63	1	PIPING COMMON SUCTION	385-20108-300
65	2	PIPING SUCTION NO SHUTOFF	385-20108-302
66	3	PIPING LIQUID COMMON	385-20109-300
67	4	PIPING DISCHARGE COMMON	385-20110-300
68	5	PIPING HGBP COMMON	385-20111-300
69	6	PIPING HGBP	385-20111-301
72	7	PIPING DISTRIBUTOR COMMON	385-20112-300

TABLE 62D - PIPING HGBP ALL SYS W/SHUTOFF (385-20106-303)

FIGURE	ITEM	DESCRIPTION	PART NUMBER
63	1	PIPING COMMON SUCTION	385-20108-300
64	2	PIPING SUCTION SHUTOFF	385-20108-301
66	3	PIPING LIQUID COMMON	385-20109-300
67	4	PIPING DISCHARGE COMMON	385-20110-300
68	5	PIPING HGBP COMMON	385-20111-300
69	6	PIPING HGBP ALL SYSTEMS	385-20111-301
72	7	PIPING DISTRIBUTOR COMMON	385-20112-300

TABLE 62E - PIPING NO HGBP / NO SHUTOFF (385-20106-304)

FIGURE	ITEM	DESCRIPTION	PART NUMBER
63	1	PIPING COMMON SUCTION	385-20108-300
65	2	PIPING SUCTION NO SHUTOFF	385-20108-302
66	3	PIPING SUCTION	385-20109-300
67	4	PIPING DISCHARGE COMMON	385-20110-300
71	5	PIPING NO HGBP	385-20111-303
72	6	PIPING DISTRIBUTOR COMMON	385-20112-300

TABLE 62F - PIPING NO HGBP W/ SHUTOFF (385-20106-305)

FIGURE	ITEM	DESCRIPTION	PART NUMBER
63	1	PIPING COMMON SUCTION	385-20108-300
64	1	PIPING SUCTION SHUTOFF	385-20108-301
66	2	PIPING LIQUID COMMON	385-20109-300
67	3	PIPING DISCHARGE COMMON	385-20110-300
71	4	PIPING NO HGBP	385-20111-303
72	6	PIPING DISTRIBUTOR COMMON	385-20112-300

TABLE 63 - PIPING COMMON SUCTION (385-20108-300)

FIGURE	ITEM	DESCRIPTION	PART NUMBER
63	1	TUB, CU 2.625 OD X .080 WALL	085-20108-098
63	2	TUB, CU 2.625 OD X .080 WALL	085-20108-097
63	3	TEE, CU , 2.63_1.63_1.63	023-22392-000
63	4	TUB, CU 1.625 OD X .060 WALL	085-20108-006
63	5	TUB, CU 1.625 OD X .060 WALL	085-20108-043
63	6	TUB, CU 1.625 OD X .060 WALL	085-20108-072
63	7	TUB, CU 1.625 OD X .060 WALL	085-20108-074
63	8	CLAMP, TUBE 2-5/8 DIA.	085-20113-000
63	9	BRACKET, SUCT SYS 1, 2 & 3	085-20108-500
63	10	BRACKET, SUCT SYS 1, 2 & 3	085-20108-501
63	11	TUB, CU .250 OD X .080 WALL	085-20108-053
63	12	TUB, CU .250 OD X .030 WALL	085-20108-082
63	13	TUB, CU .250 OD X .030 WALL	085-20108-083
63	14	TUB, CU .250 OD X .030 WALL	085-20108-054
63	15	TUB, CU .250 OD X .030 WALL	085-20108-021
63	16	TUB, CU .250 OD X .030 WALL	085-20108-022
63	17	TUB, CU 2.625 OD X .080 WALL	085-20108-023

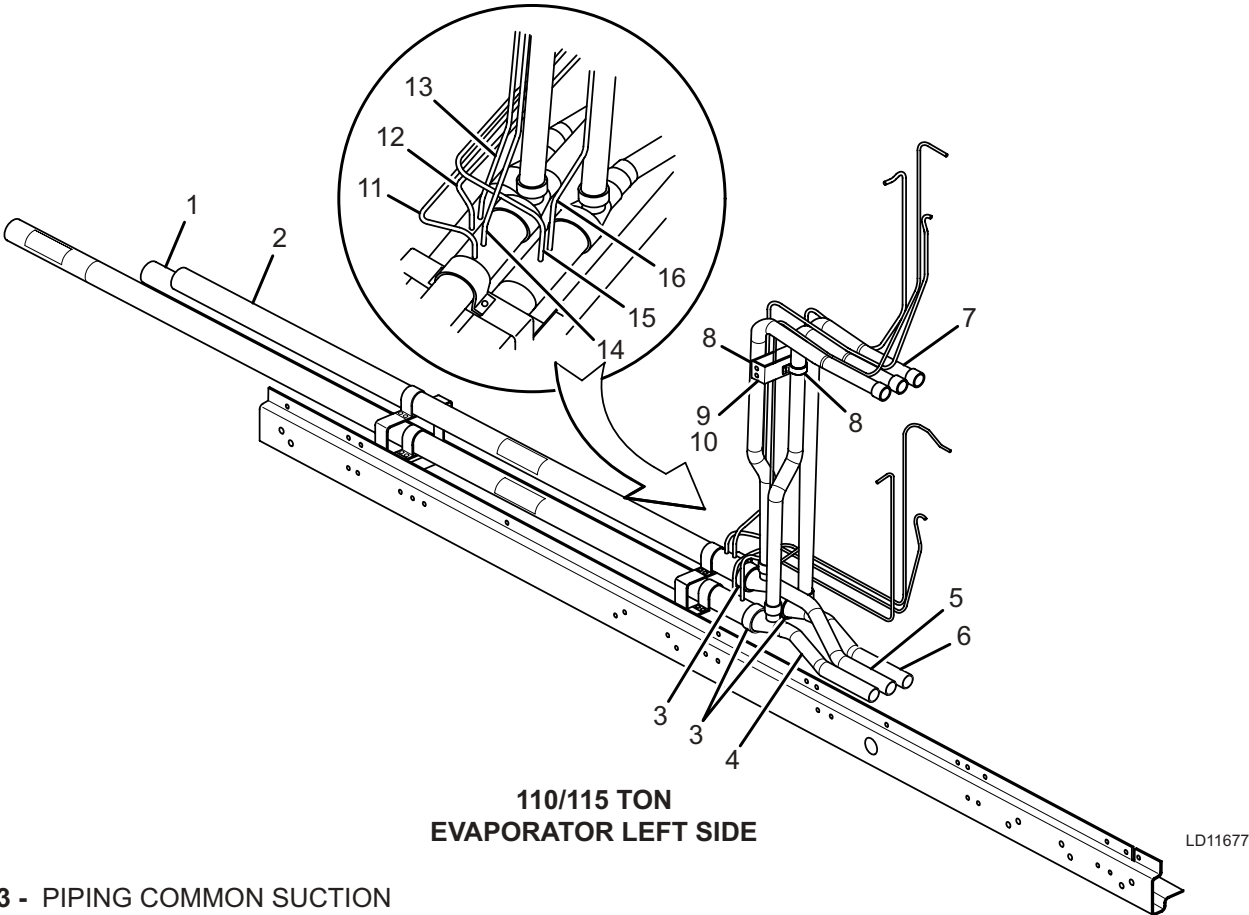
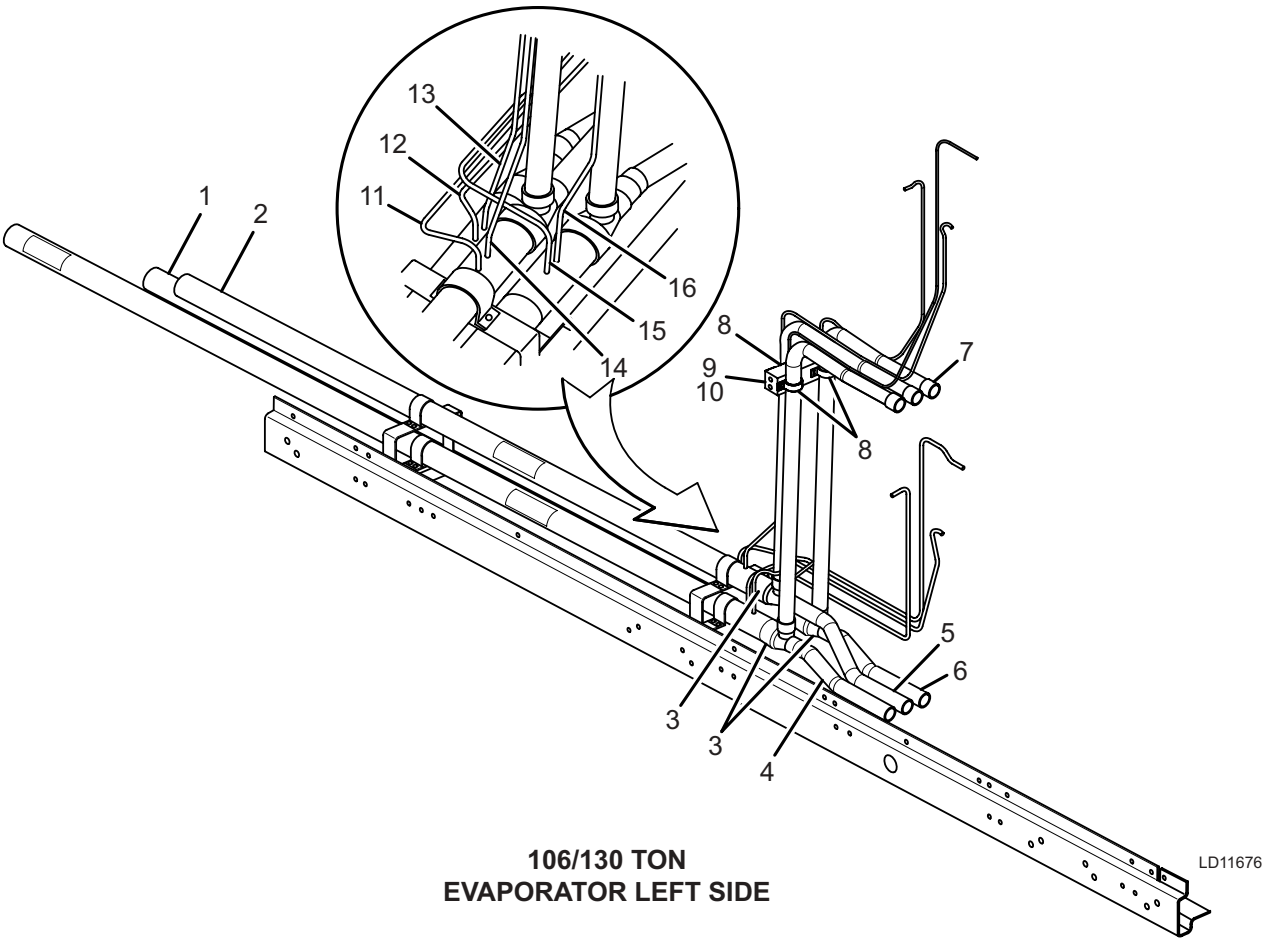
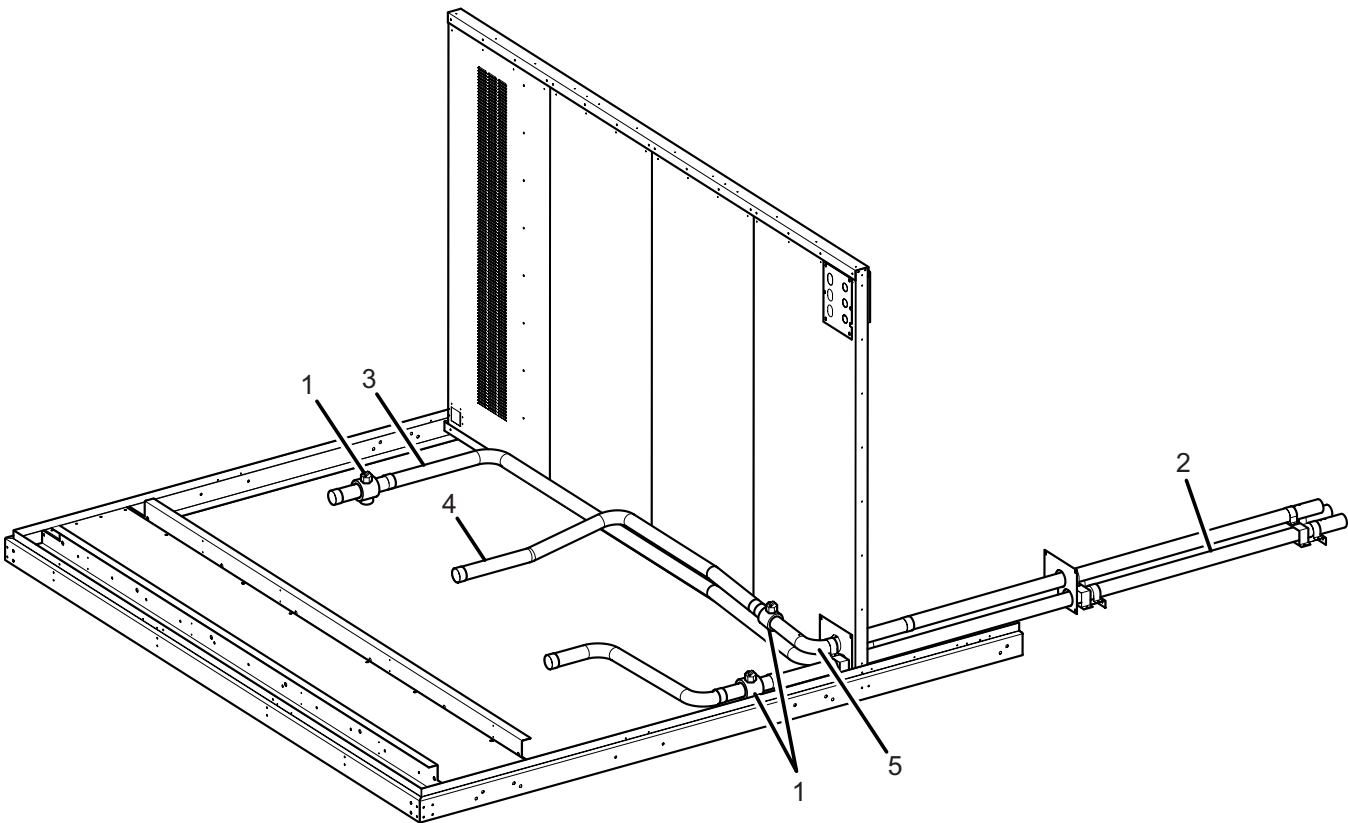


FIG. 63 - PIPING COMMON SUCTION

TABLE 64 - PIPING SUCTION SHUTOFF (385-20108-301)

FIGURE	ITEM	DESCRIPTION	PART NUMBER
64	1	VALVE, BALL, ODS_CONN, 2.63	022-09753-000
64	2	TUB, CU 2.625 OD X .080 WALL	085-20108-090
64	3	TUB, CU 2.625 OD X .080 WALL	085-20108-089
64	4	TUB, CU 2.625 OD X .080 WALL	085-20108-096
64	5	TUB, CU 2.625 OD X .080 WALL	085-20108-091



LD11640

FIG. 64 - PIPING SUCTION SHUTOFF

TABLE 65 - PIPING SUCTION NO SHUTOFF (385-20108-302)

FIGURE	ITEM	DESCRIPTION	PART NUMBER
65	1	TUB, CU 2.625 OD X .080 WALL	085-20108-023
65	2	TUB, CU 2.625 OD X .080 WALL	085-20108-086
65	3	TUB, CU 2.625 OD X .080 WALL	085-20108-087
65	4	TUB, CU 2.625 OD X .080 WALL	085-20108-088
65	5	TUB, CU 2.625 OD X .080 WALL	085-20108-097
65	6	TUB, CU 2.625 OD X .080 WALL	085-20108-098
65	7	BRACKET, SYS 1 & 2	085-20108-502
65	8	BRACKET, SYS 3	085-20108-503
65	9	BRACKET, SYS 1 & 2	085-20108-504
65	10	BRACKET, EVAP, SYS 1 & 2	085-20108-505
65	11	BRACKET, EVAP, SYS 3	085-20108-506
65	12	PLATE, COVER, SUCT	085-20108-510
65	13	CLAMP, TUBE, 2-5/8 DIA.	085-20113-001

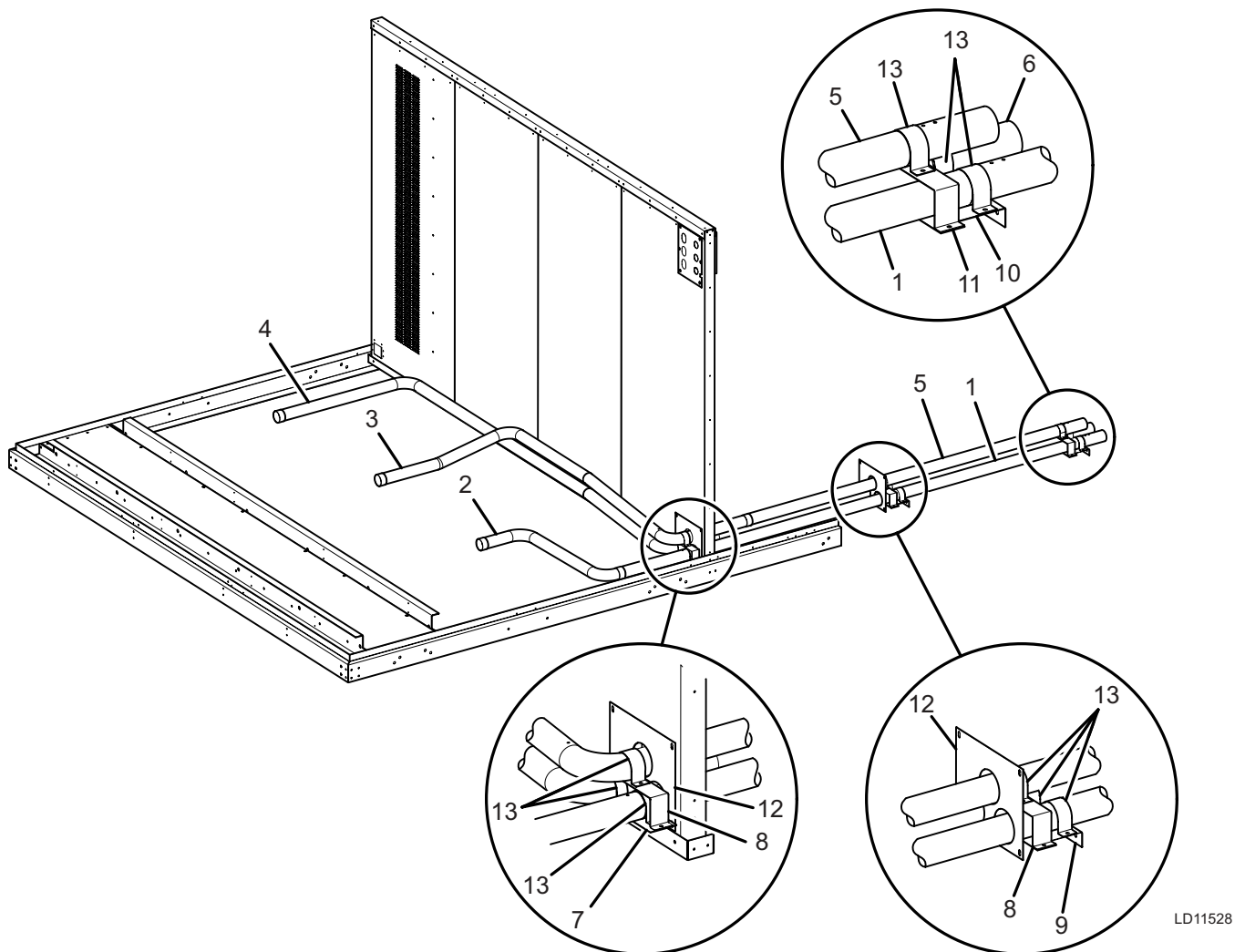
**FIG. 65 - PIPING SUCTION NO SHUTOFF**

TABLE 66 - PIPING LIQUID COMMON (385-20109-300)

FIGURE	ITEM	DESCRIPTION	PART NUMBER
66	1	FTG, CU, TEE, CXCXC, .88_.88_1.13	023-02683-000
66	2	TUB CU 1.125 OD X .050 WALL	085-20109-072
66	3	VALVE, RECEIVER, 1.13 OD	022-11384-000
66	4	TUB CU .875 OD X .045 WALL	085-20109-034
66	5	TUB CU 1.125 OD X .045 WALL	085-20109-003
66	6	TUB CU .875 OD X .045 WALL	085-20109-001
66	7	TUB CU 1.125 OD X .050 WALL	085-20109-073
66	8	TUB CU 1.125 OD X .050 WALL	085-20109-037
66	9	TUB CU 1.125 OD X .050 WALL	085-20109-004
66	10	DRIER, FILTER, REPLACABLE CORE	026-41805-000
66	11	DRIER, FILTER	026-18328-000
66	12	TUB CU 1.125 OD X .050 WALL	085-20109-005
66	13	TUB CU 1.125 OD X .050 WALL	085-20109-038
66	14	TUB CU 1.125 OD X .050 WALL	085-20109-075
66	15	TUB CU 1.125 OD X .050 WALL	085-20109-006
66	16	VALVE, SOLENOID 1.13 ID	025-20996-000
66	17	TUB CU 1.125 OD X .050 WALL	085-20109-007
66	18	SIGHT GLASS, 1.13	026-14125-000
66	19	TUB CU 1.125 OD X .050 WALL	085-20019-076
66	20	TUB CU 1.125 OD X .050 WALL	085-20109-039
66	21	TUB CU 1.125 OD X .050 WALL	085-20109-009
66	22	FITTING, CU, TEE, CXCXC, 1.13_.88_.88	023-02717-000
66	23	TUB CU .875 OD X .045 WALL	085-20109-010
66	24	TUB CU .875 OD X .045 WALL	085-20109-011
66	25	TUB CU .875 OD X .045 WALL	085-20109-045
66	26	TUB CU .875 OD X .045 WALL	085-20109-041
66	27	TUB CU .875 OD X .045 WALL	085-20109-077
66	28	TUB CU .875 OD X .045 WALL	085-02109-078
66	32	BRACKET, DISTR MTG	085-20109-510
66	33	BRACKET, FILTER DRIER	085-20109-500
66	34	BRACKET LIQ HG	085-20109-505
66	35	BRACKET LIQ HG	085-20109-506
66	36	BRACKET LIQ HG	085-20109-507
66	37	BRACKET LIQ	085-20109-504
66	38	CLAMP, TUBE 7/8 DIA.	085-20113-002
66	39	CLAMP, TUBE 1/18 DIA.	085-20113-003
66	40	BRACKET, LIQ SYS 2	085-20110-504
66	41	BRACKET, DISCH	085-20110-500
66	42	ESCUTCHEON, 3 OD_.815 ID_.13 THK	028-14910-003
66	43	BRACKET, TUBING	085-20110-507
*	44	PLUG, FUSEABLE, MELT, .25MPT	023-00724-000
*	45	LLSV WIRING KIT	385-20086-001

TABLE 67 - PIPING COMMON DISCHARGE (385-20110-300)

FIGURE	ITEM	DESCRIPTION	PART NUMBER
67	1	TUB, CU 1.375 OD X .055 WALL	085-20110-005
67	2	VALVE, BALL, ODS_CONN, 1.38	022-09750-000
67	3	TUB, CU 1.125 OD X .050 WALL	085-20110-074
67	4	TEE, CU, 1.13_1.13_1.38	023-00271-000
67	5	TUB, CU 1.375 OD X .055 WALL	085-20110-072
67	6	TUB, CU 1.125 OD X .050 WALL	085-20110-041
67	7	TUB, CU 1.375 OD X .055 WALL	085-20110-042
67	8	BRACKET, DISCHARGE SYS 3	085-20110-505
67	9	BRACKET, DISCHARGE SYS 2	085-20110-506
67	10	BRACKET, DISCHARGE	085-20110-500
67	11	BRACKET, DISCHARGE	085-20110-501
67	12	CLAMP, TUBE 1-1/8 DIA.	085-20113-003
67	13	BRACKET, DISCHARGE	085-20110-502
67	14	CLAMP, TUBE 1-3/8 DIA.	085-20113-004
67	15	TUB, CU 1.125 OD X .055 WALL	085-20110-008
67	16	BRACKET TUBING	085-20110-508

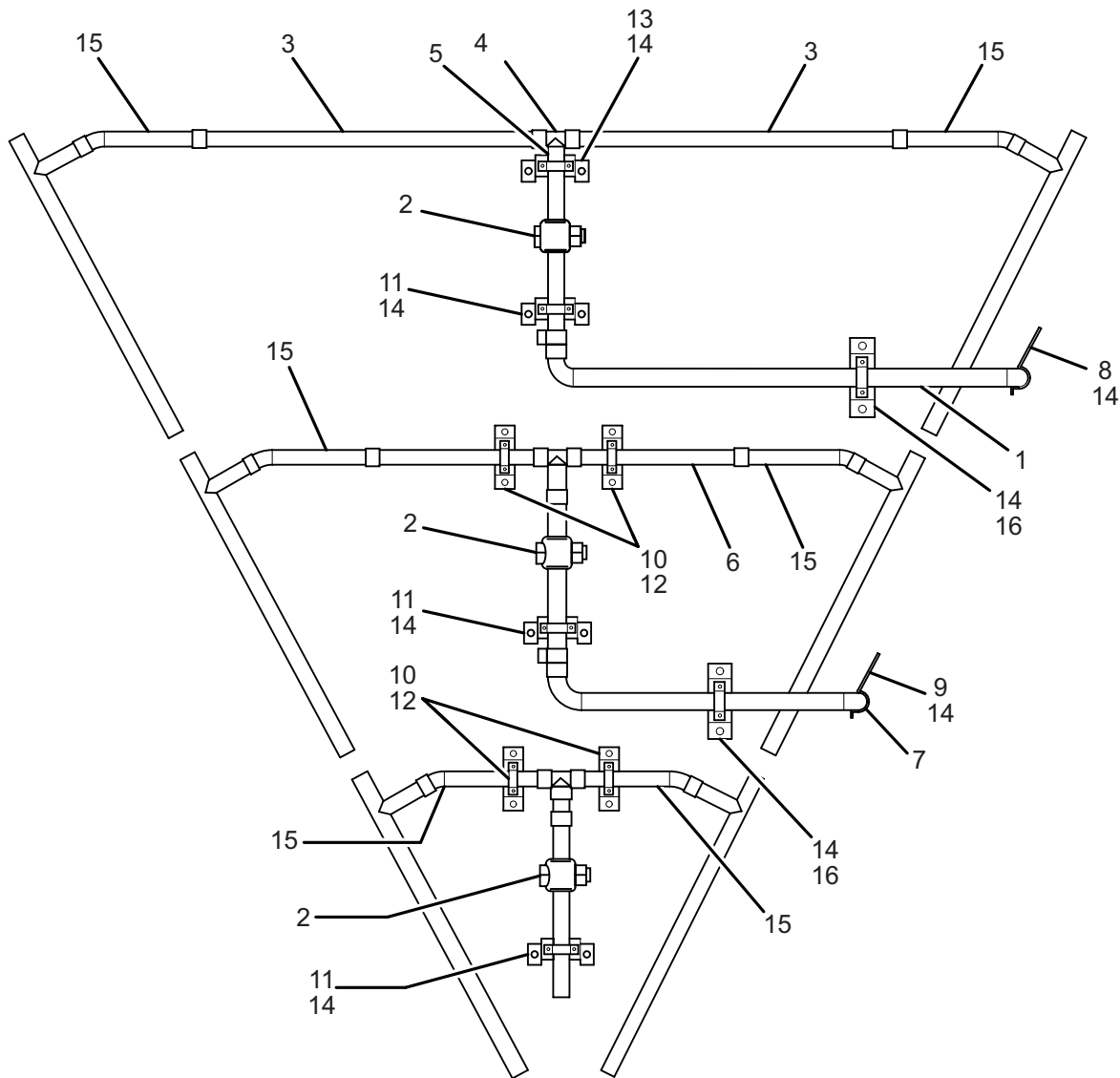


FIG. 67 - PIPING COMMON DISCHARGE

LD11680

TABLE 68 - PIPING COMMON HGBP (385-20111-300)

FIGURE	ITEM	DESCRIPTION	PART NUMBER
68	1	TUB, CU 1.375 OD X .055 WALL	085-20110-072
68	2	TEE, CU 1.38_1.38_1.13	023-00288-000
68	3	TUB, CU 1.125 OD X .050 WALL	085-20111-003
68	4	TUB, CU 1.125 OD X .050 WALL	085-20111-019
68	5	BRACKET, HG	085-20110-503
68	6	CLAMP, TUBE 1-1/8 DIA.	085-20113-003
68	7	VALVE, HOT GAS BYPASS, 1.130DF	025-40195-000
68	8	TUB, CU .250 OD X .030 WALL	085-20111-015
68	9	CLAMP, LOOP NEOPRENE, .25	021-19530-000
68	10	TUB, CU 1.125 OD X .050 WALL	085-20111-020
68	11	TUB, CU 1.125 OD X .050 WALL	085-20111-006
68	12	TEE, CU, 1.13_.88_.88	023-02717-000
68	13	TUB, CU .875 OD X .045 WALL	085-20111-010
68	14	TUB, CU .875 OD X .045 WALL	085-20111-080
68	15	BRACKET, HG EVAP	085-20111-500
68	16	CLAMP, TUBE 7/8 DIA	085-20113-002
68	17	BRACKET, TUBING	085-20110-509
68	18	PLT COVER LIQ HG BW DW	085-20109-508

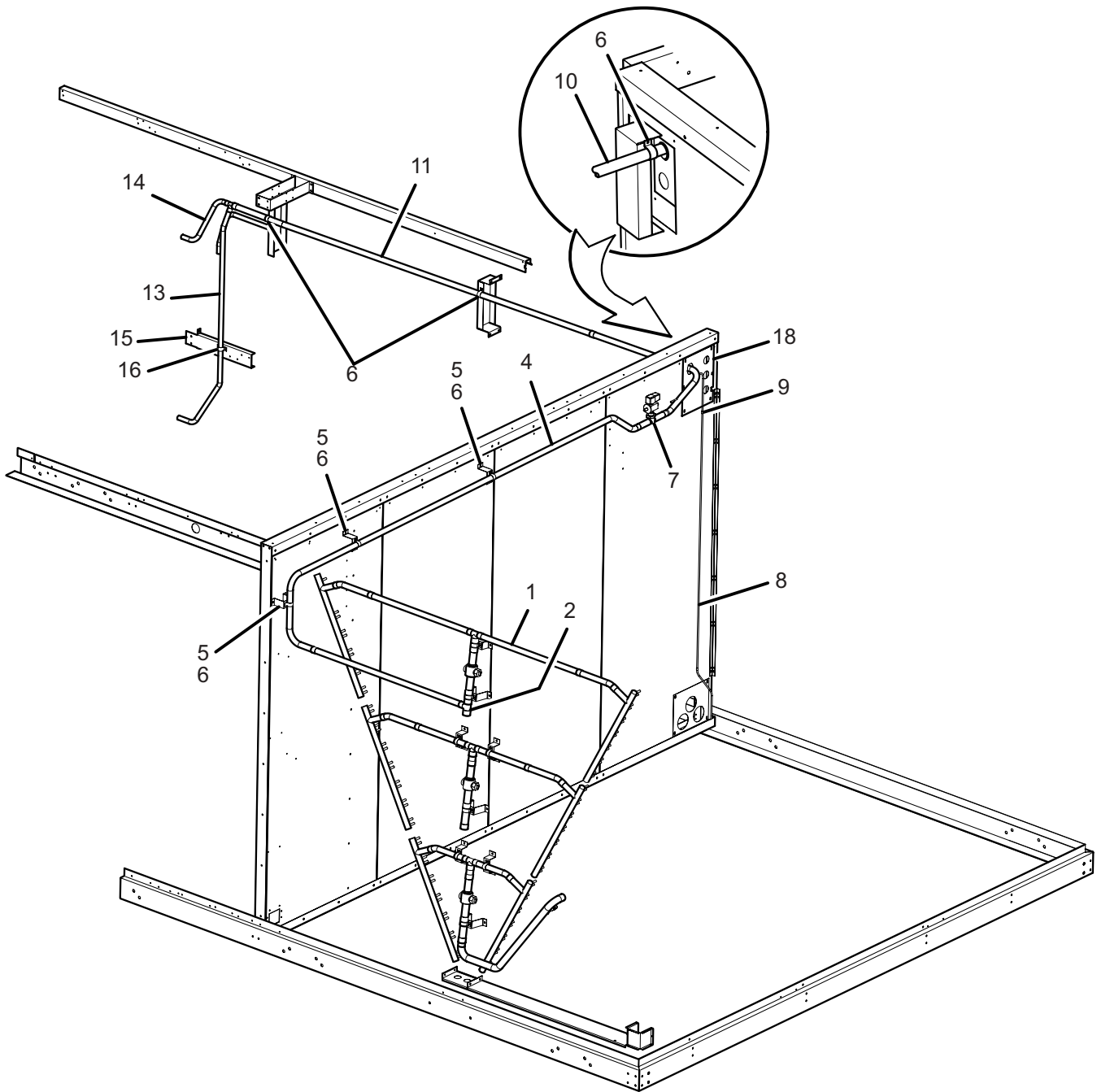


FIG. 68 - PIPING COMMON HGBP

LD11732

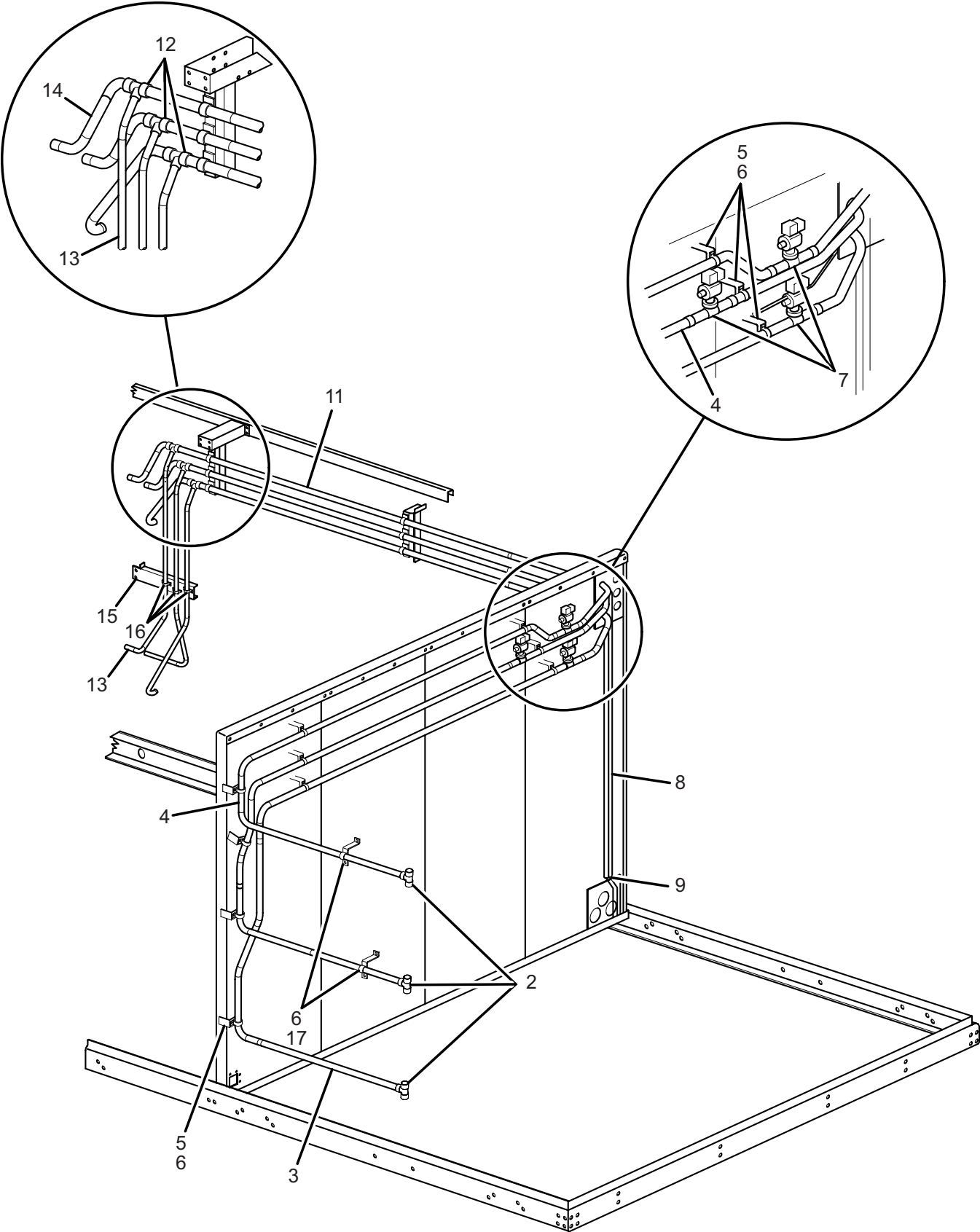


FIG. 68 (CON'T) - PIPING COMMON HGBP

TABLE 69 - PIPING HGBP (385-20111-301)

FIGURE	ITEM	DESCRIPTION	PART NUMBER
69	1	TEE, CU 1.38_1.38_1.13	023-00288-000
69	2	TUB, CU 1.125 OD X .050 WALL	085-20111-034
69	3	TUB, CU 1.125 OD X .050 WALL	085-20111-049
69	4	VALVE, HOT GAS BYPASS, 1.13 ODF	025-40195-000
69	5	TUB, CU 1.125 OD X .050 WALL	085-20111-050
69	6	TUB, CU 1.125 OD X .050 WALL	085-20111-041
69	7	TEE, CU 1.13_.88_.88	023-02717-000
69	8	TUB, CU .875 OD X .045 WALL	085-20111-042
69	9	TUB, CU .875 OD X .045 WALL	085-20111-044
69	10	TUB, CU .250 OD X .030 WALL	085-20111-017
69	11	TUB, CU 1.125 OD X .050 WALL	085-20111-003
69	12	TUB, CU 1.125 OD X .050 WALL	085-20111-069
69	13	TUB, CU 1.125 OD X .050 WALL	085-20111-070
69	14	TUB, CU 1.125 OD X .050 WALL	085-20111-073
69	15	TUB, CU 1.125 OD X .050 WALL	085-20111-075
69	16	TUB, CU 0.875 OD X .045 WALL	085-20111-078
69	17	TUB, CU 0.875 OD X .045 WALL	085-20111-077
69	18	TUB, CU 0.250 OD X .030 WALL	085-20111-079
69	19	BRACKET, HG	085-20110-503
69	20	CLAMP, TUBE 1-1/8 DIA.	085-20113-003
69	21	BRACKET, HG EVAP	085-20111-500
69	22	CLAMP, TUBE 7/8 DIA.	085-20113-002
69	23	CLAMP, LOOP, NEOPRENE, .25	021-19530-000

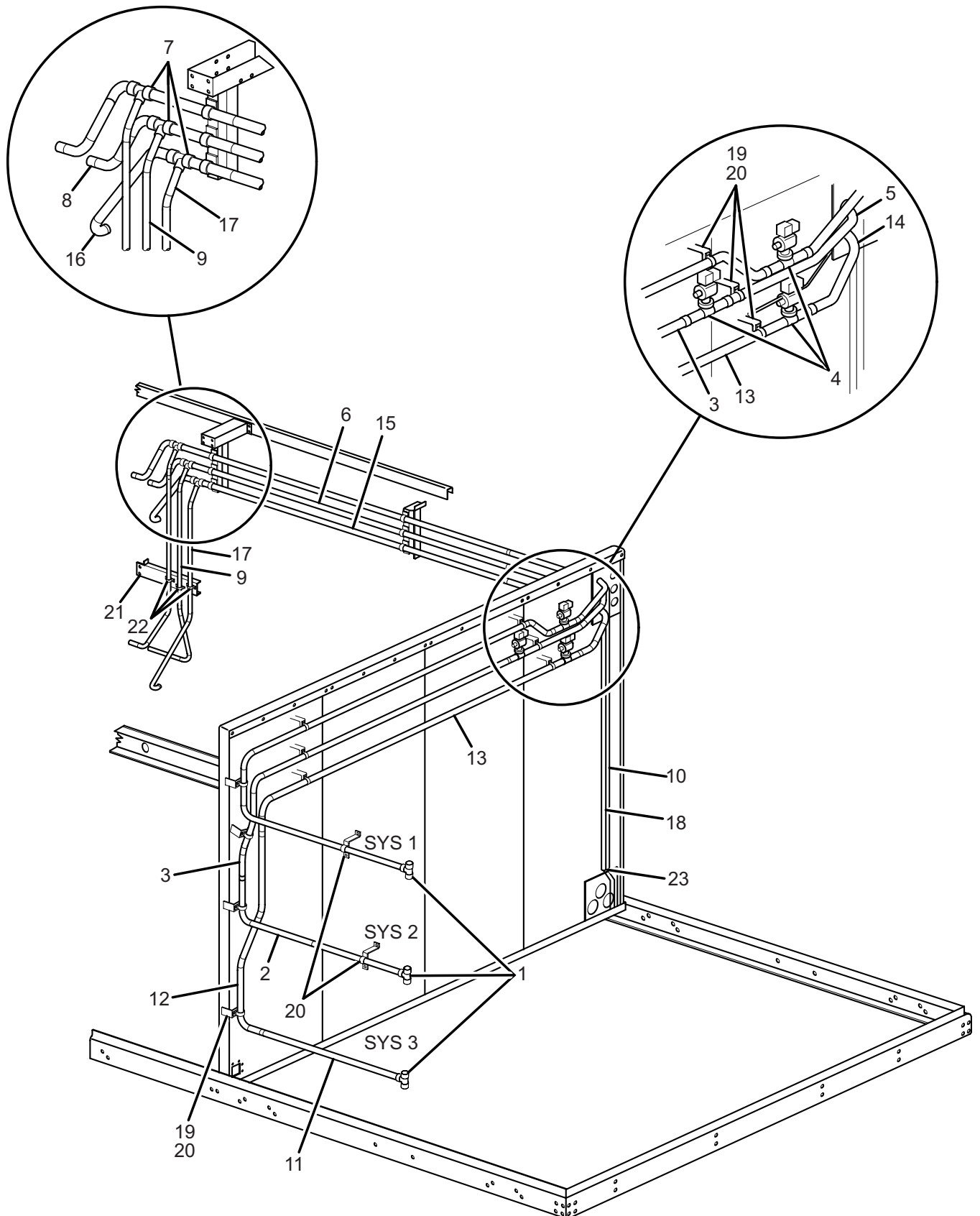


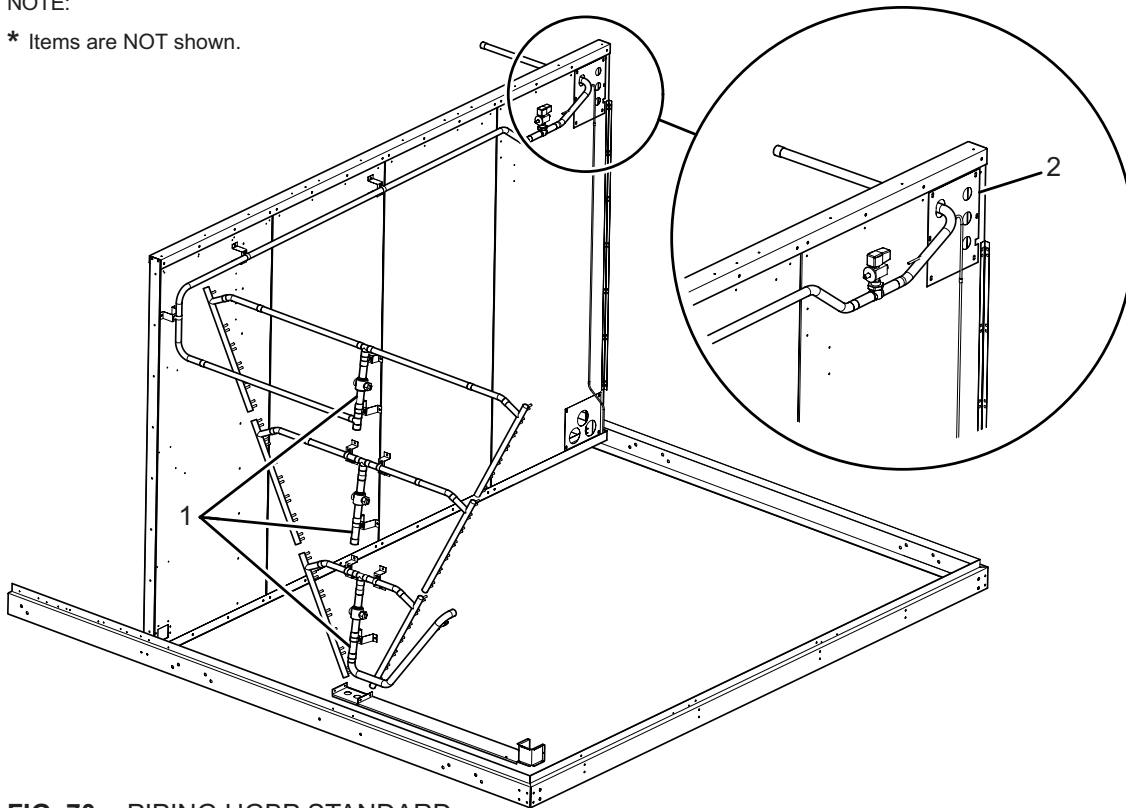
FIG. 69 - PIPING HGBP

TABLE 70 - PIPING HGBP STANDARD (385-20111-302)

FIGURE	ITEM	DESCRIPTION	PART NUMBER
70	1	TUB, CU 1.375 OD X .055 WALL	085-20111-051
70	2	PLT, COVER, LIQUID HGBP SYS 1	085-20109-512
*	3	HGBP WIRING KIT, SINGLE SYSTEM	385-20081-001

NOTE:

* Items are NOT shown.



LD11734

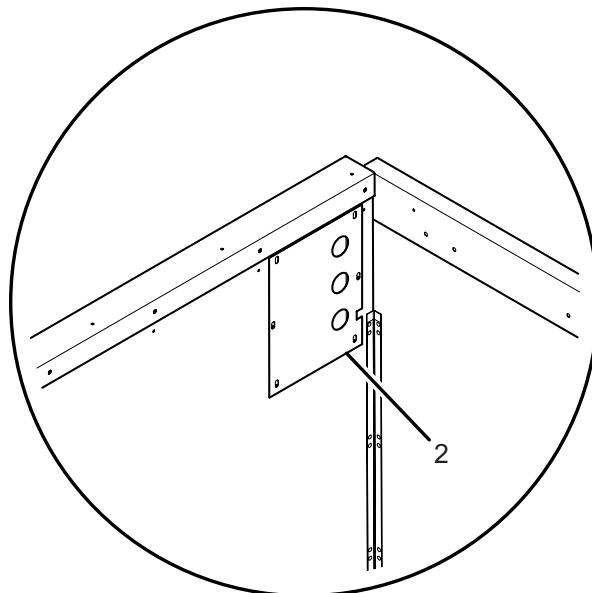
FIG. 70 - PIPING HGBP STANDARD

TABLE 71 - PIPING NO HGBP (385-20111-303)

FIGURE	ITEM	DESCRIPTION	PART NUMBER
70	1	TUB, CU 1.375 OD X .055 WALL	085-20111-051
71	2	PLT, COVER, LIQUID NO HGBP	085-20109-511

NOTE:

For location refer to FIG 70.



LD11735

FIG. 71 - PIPING NO HGBP

TABLE 72 - PIPING DISTRIBUTOR COMMON

FIGURE	ITEM	DESCRIPTION	PART NUMBER
*	1	CLAMP, SADDLE, NEOPRENE, 2.25	021-31668-000
*	2	TUBING, PLASTIC, CLR, .31 ID, .44 OD	028-11853-000
*	3	BRACKET, DISTRIBUTOR	085-20109-509
*	4	BRACKET, DIST SYS 3	085-20109-503
R-22			
72	5	DISTRIBUTOR, TEV ASSY (106T)	026-41931-005
72	6	THERMAL EXPANSION VALVE	EBSVE-15-CP100
72	7	DISTRIBUTOR	1657R-8-5/16-12-(1)-7/8 OD
72	5	DISTRIBUTOR, TEV ASSY (110/115T) SYS 1 & 2	026-41931-003
72	6	THERMAL EXPANSION VALVE	EBSVE-15-CP100
72	7	DISTRIBUTOR	1657R-11-5/16-12-(1)-7/8 OD
72	5	DISTRIBUTOR, TEV ASSY (110/115T) SYS 3	026-41931-004
72	6	THERMAL EXPANSION VALVE	EBSVE-15-CP100
72	7	DISTRIBUTOR	1657R-10-5/16-12-(1)-7/8 OD
72	5	DISTRIBUTOR, TEV ASSY (130T)	026-41931-000
72	6	THERMAL EXPANSION VALVE	EBSVE-20-CP100
72	7	DISTRIBUTOR	1657R-13-5/16-12-(1)-7/8 OD
R-407C			
72	5	DISTRIBUTOR, TEV ASSY (106T)	026-41931-012
72	6	THERMAL EXPANSION VALVE	EBSVE-15-CP100
72	7	DISTRIBUTOR	1657R-11-5/16-15-(1)-7/8 OD
72	5	DISTRIBUTOR, TEV ASSY (106T)	026-41931-013
72	6	THERMAL EXPANSION VALVE	EBSVE-15-CP100
72	7	DISTRIBUTOR	1657R-10-5/16-15-(1)-7/8 OD
72	5	DISTRIBUTOR, TEV ASSY (110/115T)	026-41931-011
72	6	THERMAL EXPANSION VALVE	EBSVE-15-CP100
72	7	DISTRIBUTOR	1657R-13-5/16-15-(1)-7/8 OD
72	5	DISTRIBUTOR, TEV ASSY (115/130T)	026-41931-010
72	6	THERMAL EXPANSION VALVE	EBSVE-20-CP100
72	7	DISTRIBUTOR	1657R-13-5/16-15-(1)-7/8 OD

NOTE:

* Items are NOT shown.

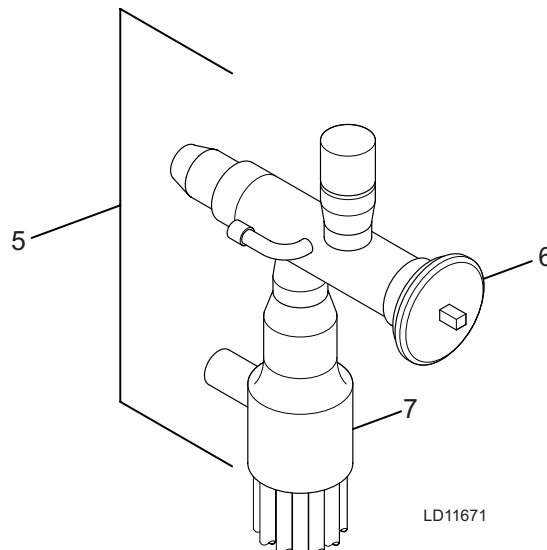


FIG. 72 - PIPING DISTRIBUTOR COMMON

TABLE 73A - PIPING SUCTION/DISCHARGE DISTRIBUTOR 106T

FIGURE	ITEM	DESCRIPTION	PART NUMBER
73	1	TUB, CU 1.625 OD X .060 WALL	085-20108-093
73	2	TUB, CU 1.625 OD X .060 WALL	085-20108-092
73	3	TUB, CU 2.625 OD X .080 WALL	085-20108-095
73	4	TUB, CU 1.625 OD X .060 WALL	085-20110-076
73	5	TUB, CU 1.375 OD X .055 WALL	085-20110-077
73	6	TUB, CU 1.375 OD X .055 WALL	085-20110-078
73	7	TUB, CU 1.375 OD X .055 WALL	085-20110-081

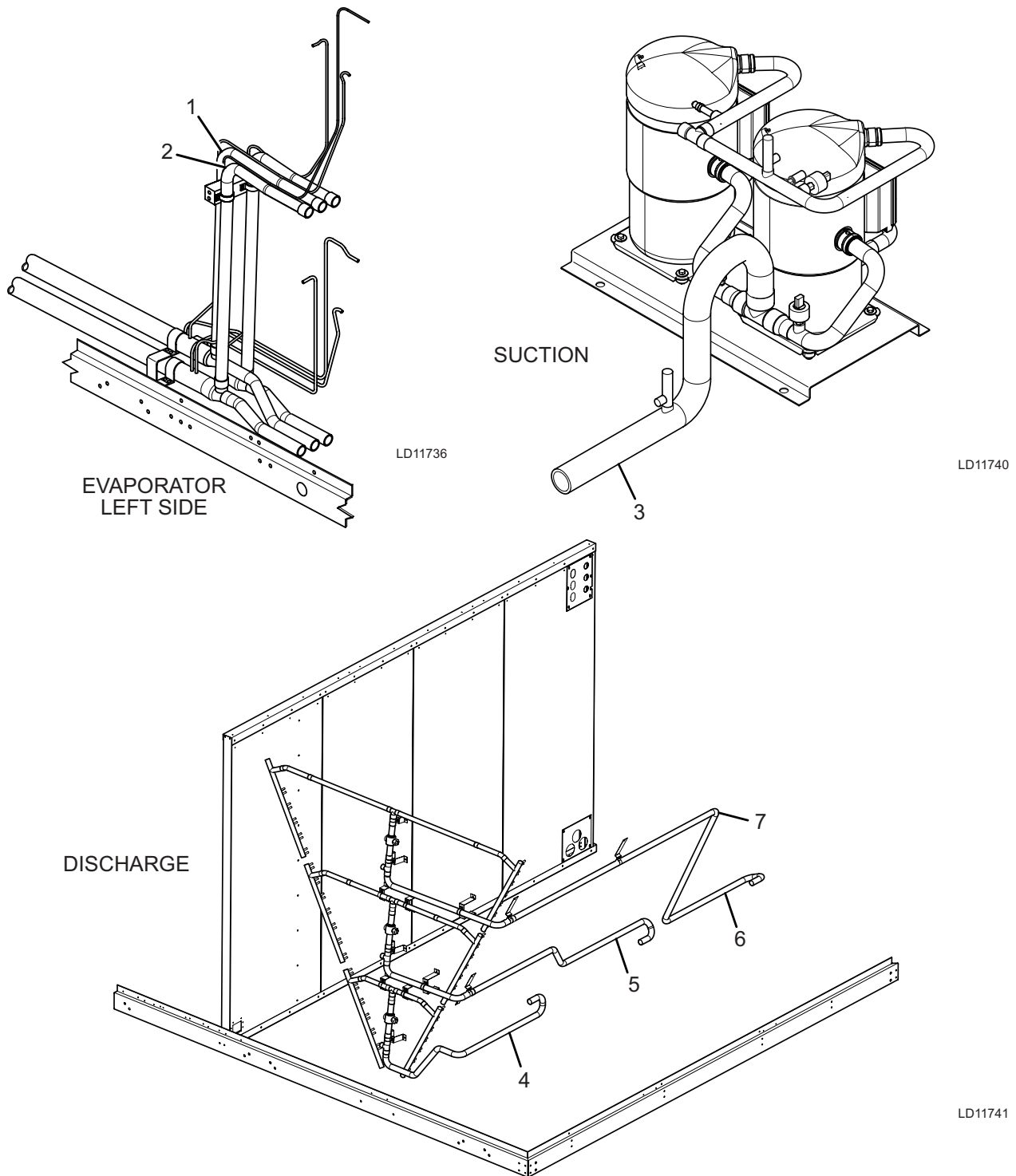


FIG. 73A - PIPING SUCTION/DISCHARGE DISTRIBUTOR 106T

TABLE 73B - PIPING SUCTION/DISCHARGE DISTRIBUTOR 110T

FIGURE	ITEM	DESCRIPTION	PART NUMBER
73	1	TUB, CU 1.625 OD X .060 WALL	085-20108-017
73	2	TUB, CU 1.625 OD X .060 WALL	085-20108-044
73	3	TUB, CU 2.625 OD X .080 WALL	085-20108-095
73	4	TUB, CU 1.375 OD X .055 WALL	085-20110-076
73	5	TUB, CU 1.375 OD X .055 WALL	085-20110-077
73	6	TUB, CU 1.375 OD X .055 WALL	085-20110-078
73	7	TUB, CU 1.375 OD X .055 WALL	085-20110-081

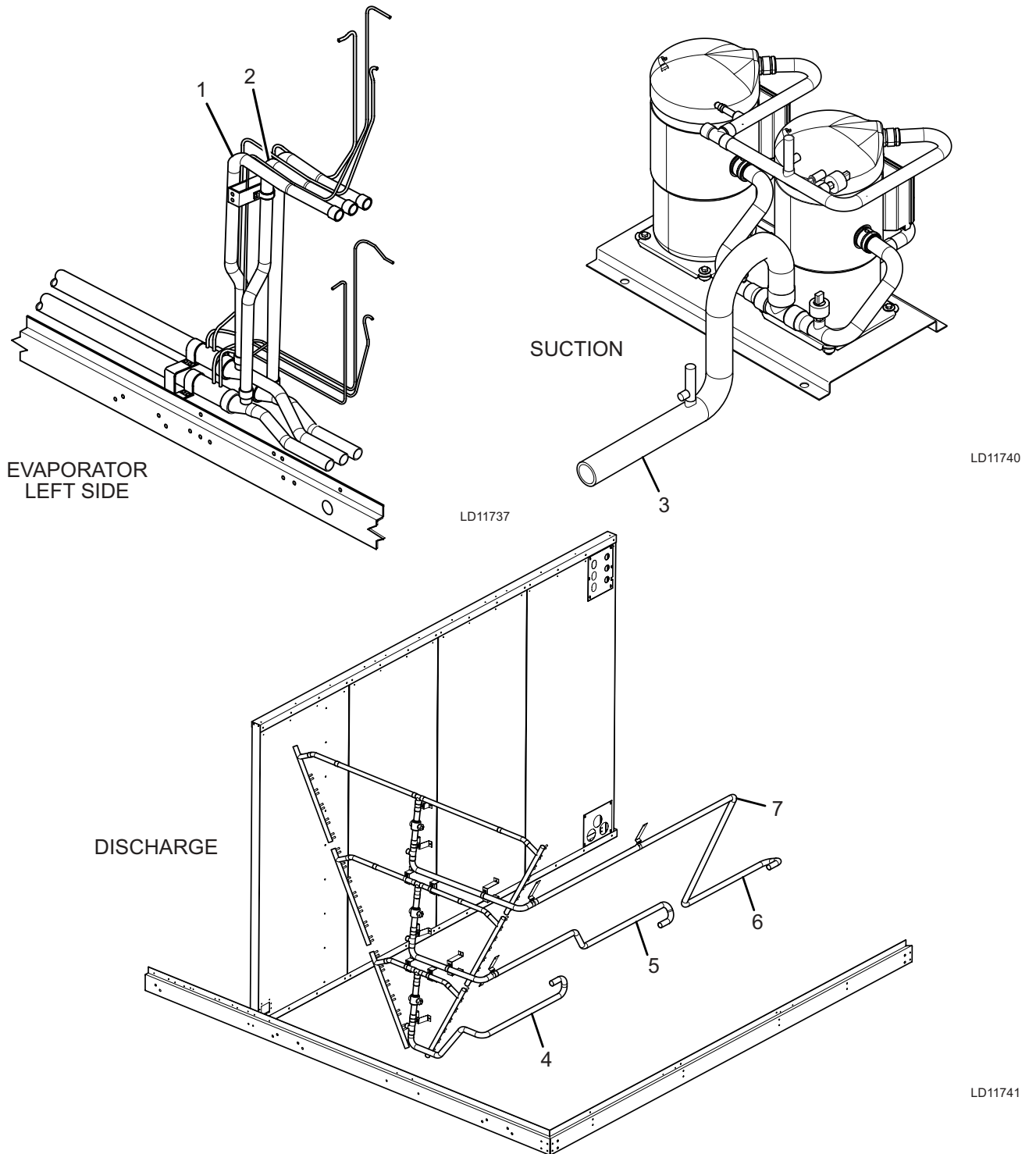


FIG. 73B - PIPING SUCTION/DISCHARGE DISTRIBUTOR 110T

TABLE 73C - PIPING SUCTION/DISCHARGE DISTRIBUTOR 115T

FIGURE	ITEM	DESCRIPTION	PART NUMBER
73	1	TUB, CU 1.625 OD X .060 WALL	085-20108-017
73	2	TUB, CU 1.625 OD X .060 WALL	085-20108-044
73	3	TUB, CU 2.625 OD X .080 WALL	085-20108-095
73	4	TUB, CU 1.375 OD X .055 WALL	085-20110-076
73	5	TUB, CU 1.375 OD X .055 WALL	085-20110-079
73	6	TUB, CU 1.375 OD X .055 WALL	085-20110-080
*	7	TUB, CU 2.625 OD X .080 WALL	085-20108-094
73	8	TUB, CU 1.375 OD X .055 WALL	085-20110-082

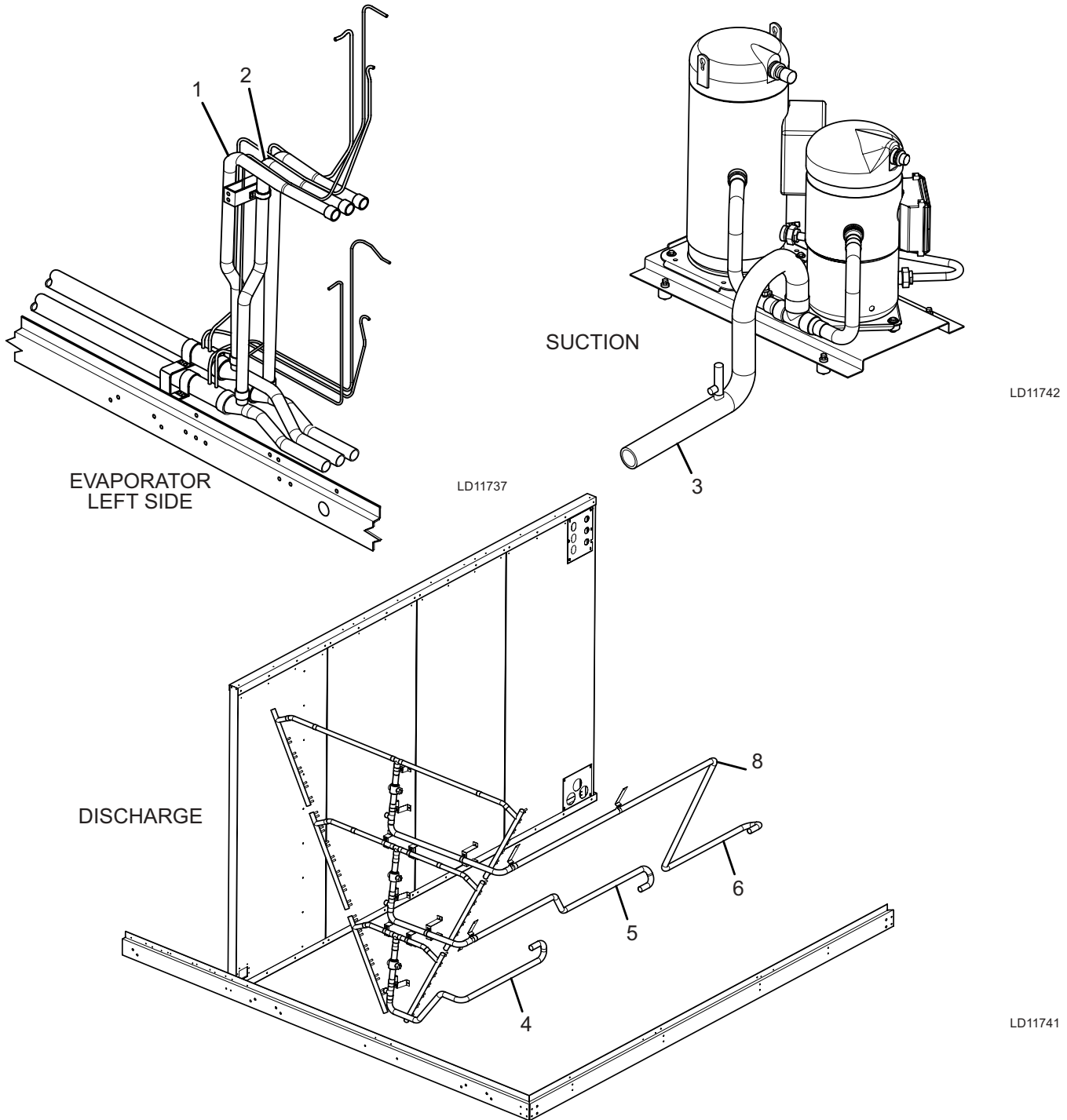


FIG. 73C - PIPING SUCTION/DISCHARGE DISTRIBUTOR 115T

TABLE 73D - PIPING SUCTION/DISCHARGE DISTRIBUTOR 130T

FIGURE	ITEM	DESCRIPTION	PART NUMBER
73	1	TUB, CU 1.625 OD X .060 WALL	085-20108-044
73	2	TUB, CU 1.625 OD X .060 WALL	085-20108-017
73	3	TUB, CU 2.625 OD X .080 WALL	085-20108-085
73	4	TUB, CU 1.375 OD X .055 WALL	085-20110-075
73	5	TUB, CU 1.375 OD X .055 WALL	085-20110-036
73	6	TUB, CU 1.375 OD X .055 WALL	085-20110-003

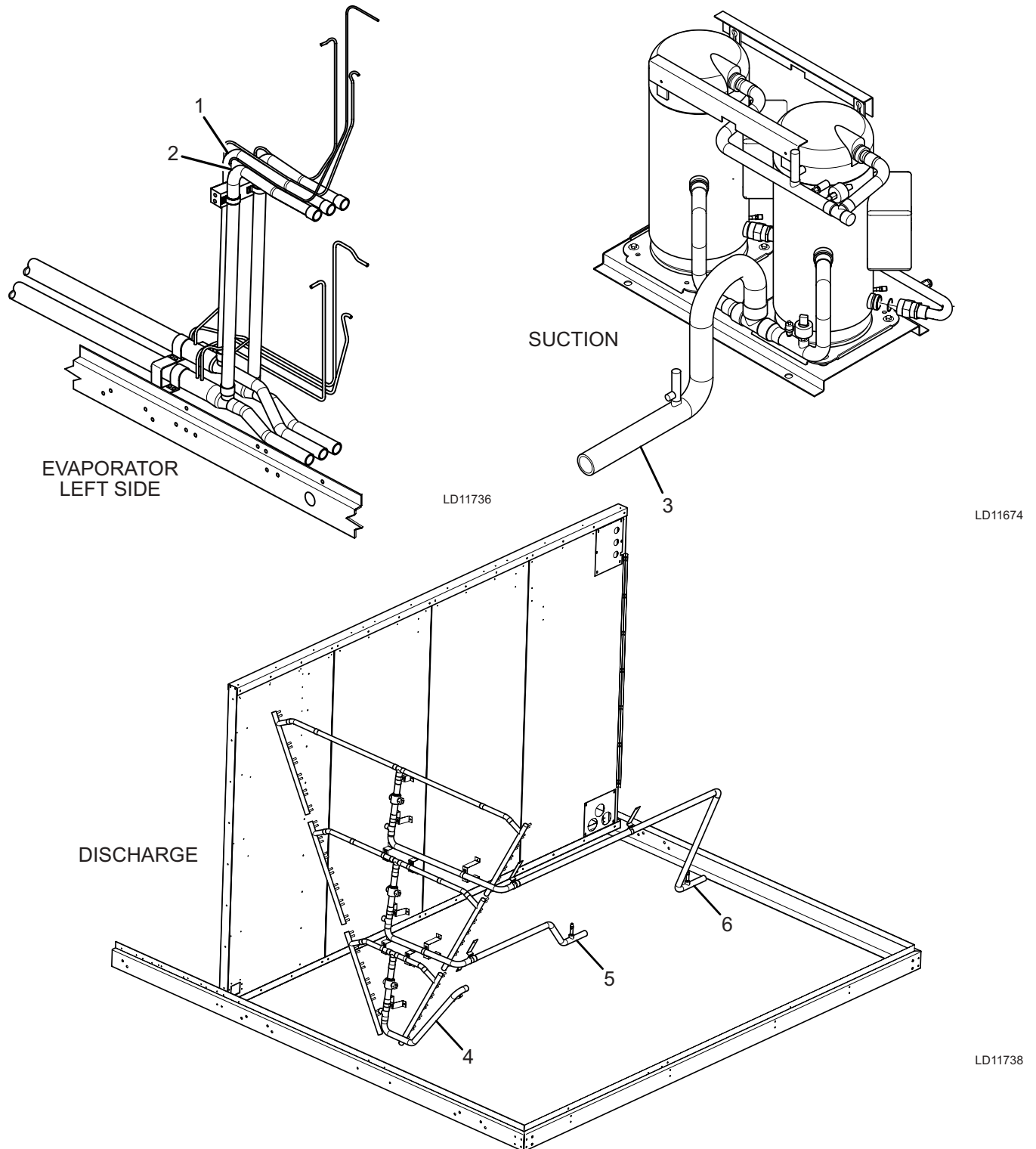


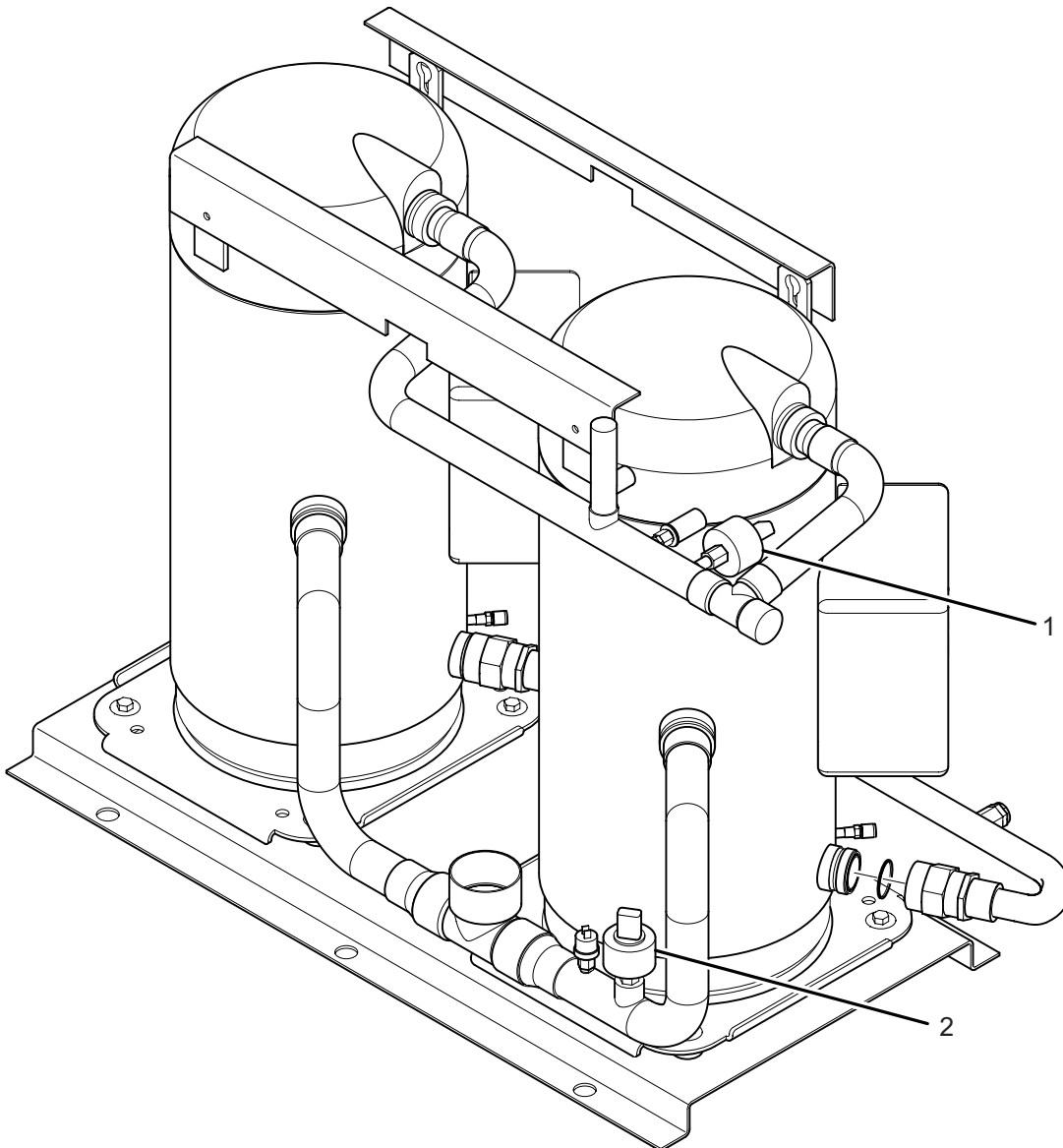
FIG. 73D - PIPING SUCTION/DISCHARGE DISTRIBUTOR 130T

TABLE 74 - TRANSDUCERS, SWITCHES, AND SENSORS (CONDENSER SECTION)

FIGURE	ITEM	LOCATION	DESCRIPTION	PART NUMBER
74	1	CONDENSER	DISCHARGE PRESSURE TRANSDUCER	025-29139-001
*	1A	CONDENSER	HARNESS, WIRE, SYSTEM, 1	025-36438-001
74	2	CONDENSER	SUCTION PRESSURE TRANSDUCER	025-29139-002
*	2A	CONDENSER	HARNESS, WIRE, SYSTEM, 2	025-36438-002

NOTE:

* Items are NOT shown.



LD11675

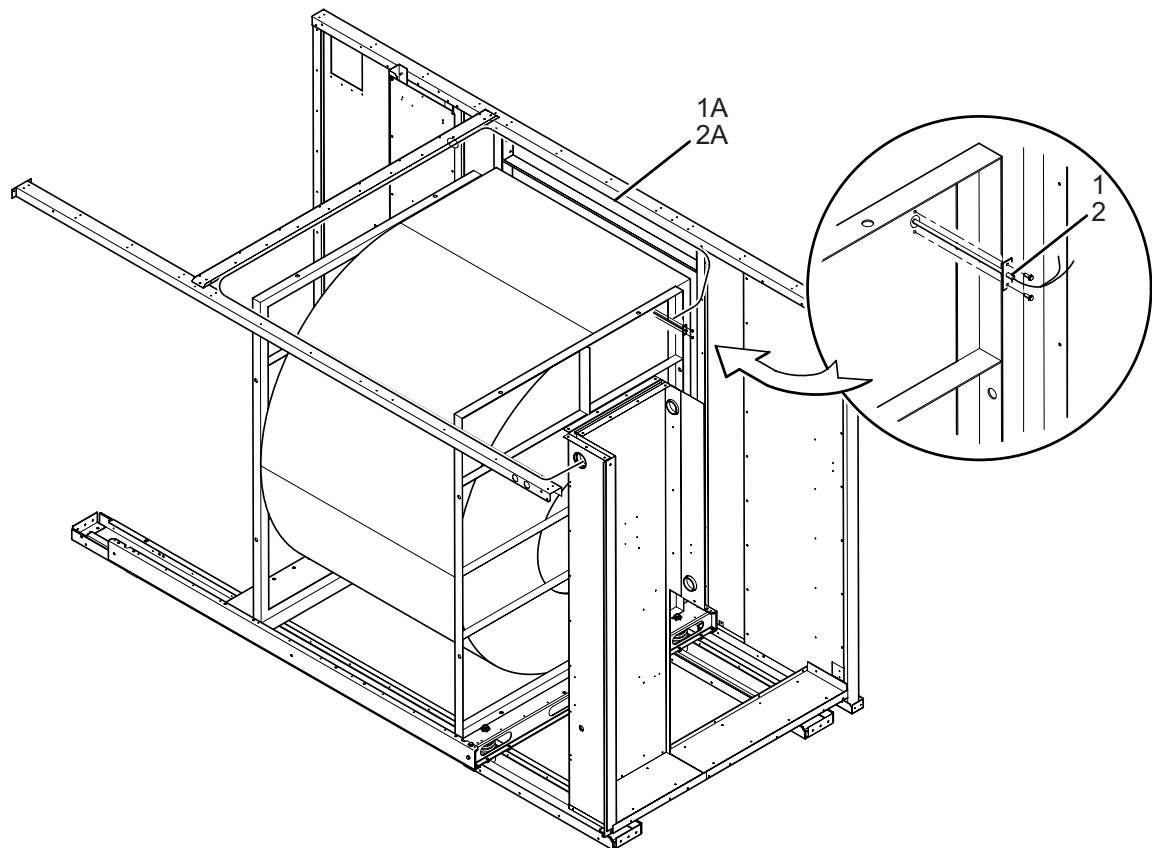
FIG. 74 - TRANSDUCERS, SWITCHES, AND SENSORS (CONDENSER SECTION)

TABLE 75 - TRANSDUCERS, SWITCHES, AND SENSORS (SUPPLY AIR SECTION)

FIGURE	ITEM	LOCATION	DESCRIPTION	PART NUMBER
75	1	SUPPLY AIR	SUPPLY AIR TEMP. COOLING SENSOR	025-36434-001
75	1A	SUPPLY AIR	HARNESS, WIRE, SAT, SENSOR	025-36436-001
75	2	SUPPLY AIR	SUPPLY AIR TEMP. HET SENSOR	025-36434-001
75	2A	SUPPLY AIR	HARNESS, WIRE SAT, SENSOR	025-36436-001
75	3	SUPPLY AIR	SUPPLY AIR TEMP. SENSOR	025-36432-001
75	3A	SUPPLY AIR	HARNESS, WIRE, HEAT, SENSOR	025-36436-002
75	4	SUPPLY AIR	SENSOR, SUCTION TEMP	025-36432-001
75	4A	SUPPLY AIR	HARNESS, WIRE, SUCTION, TEMP	025-36437-001
*	5	SUPPLY AIR	SUPPLY AIR PROVING SWITCH, 0_.25WC	025-36115-001
75	6	SUPPLY AIR	SENSOR, SUPPORT	085-20074-102

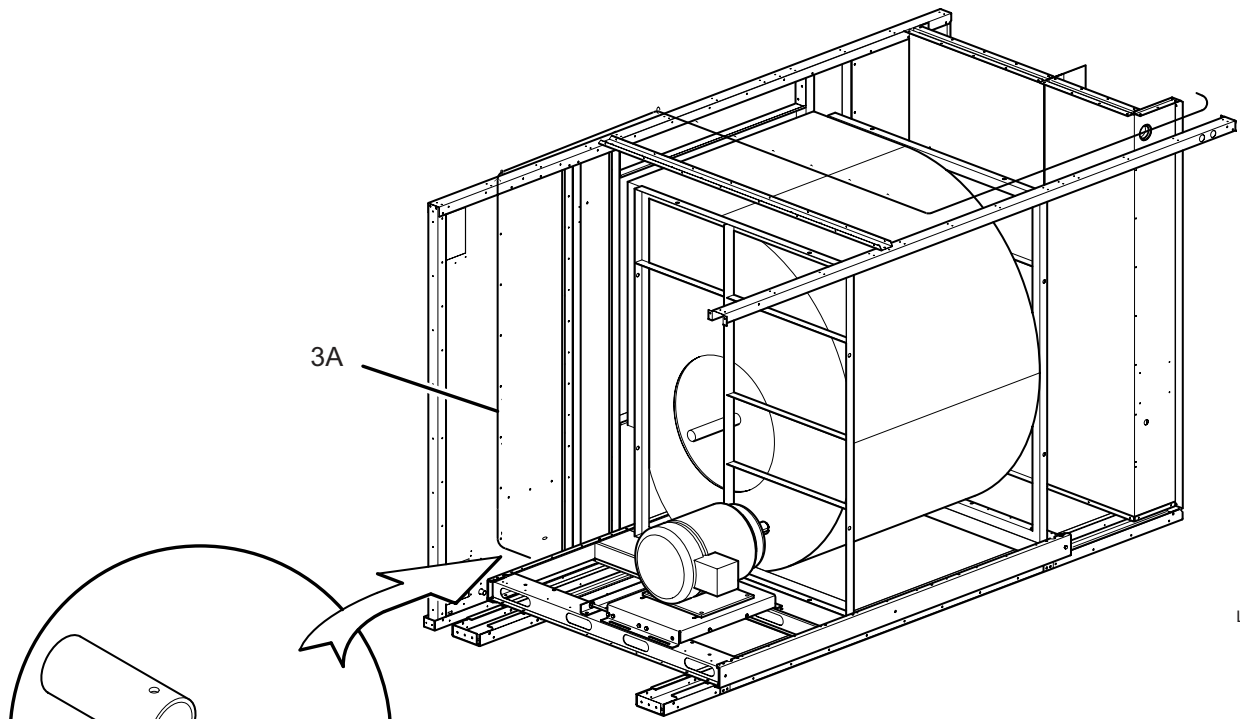
NOTE:

* Items are NOT shown.

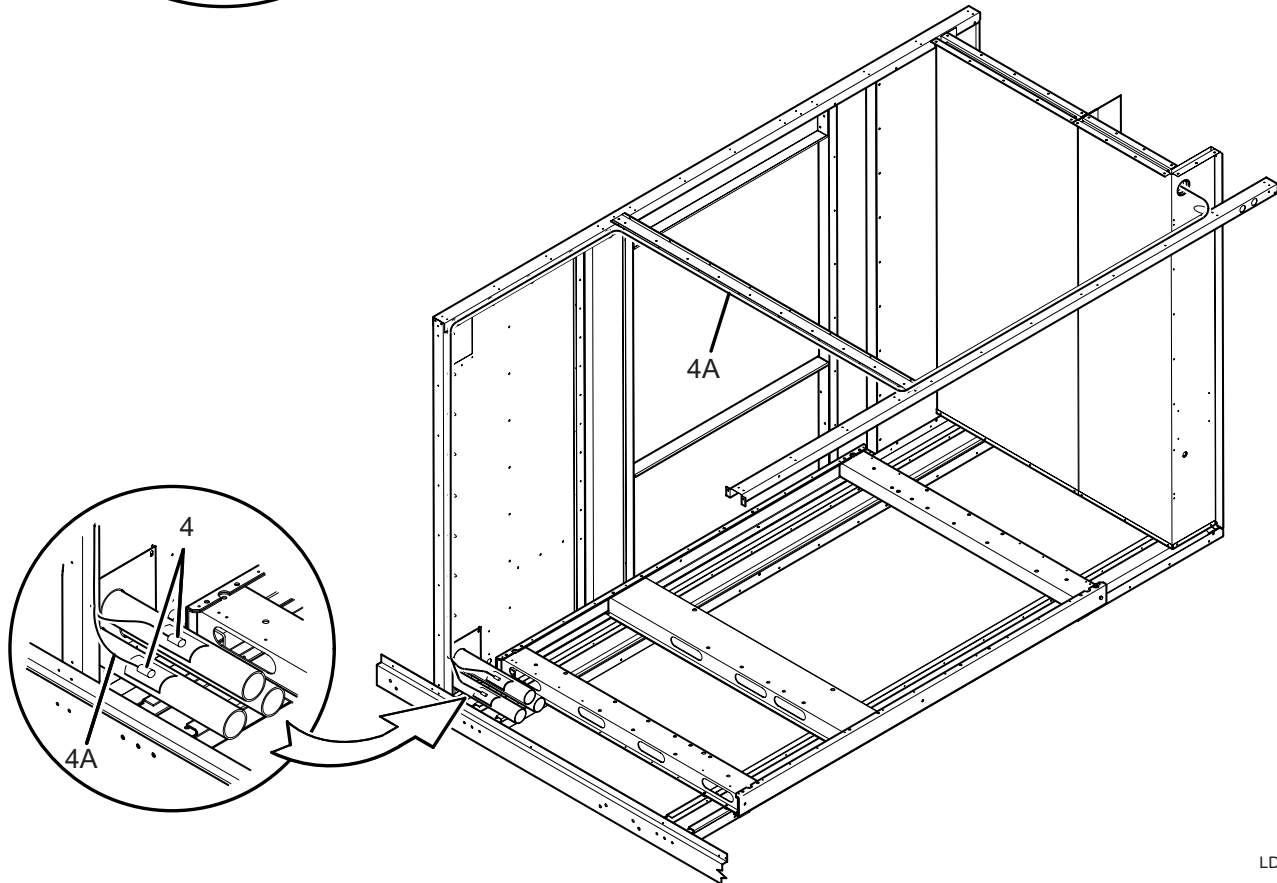


LD11077

FIG. 75 - TRANSDUCERS, SWITCHES, AND SENSORS (SUPPLY AIR SECTION)



LD11078



LD11186

FIG. 75 (CON'T) - TRANSDUCERS, SWITCHES, AND SENSORS (SUPPLY AIR SECTION)

TABLE 76 - TRANSDUCERS, SWITCHES, AND SENSORS (ECONOMIZER SECTION)

FIGURE	ITEM	LOCATION	DESCRIPTION	PART NUMBER
76	1	ECONOMIZER	OUTSIDE AIR TEMP. SENSOR (DRY BULB)	025-36432-001
*	1A	ECONOMIZER	HARNESS, WIRE, OA/RA/REL. HUM.	025-36439-001
76	2	ECONOMIZER	OUTSIDE AIR TEMP./HUMIDITY SENSOR (SE)	025-36433-001
*	2A	ECONOMIZER	HARNESS, WIRE, OA/RA/REL. HUM.	025-36439-001
76	3	ECONOMIZER	OUTSIDE AIR TEMP./HUMIDITY SENSOR (DE)	025-36433-001
*	3A	ECONOMIZER	HARNESS, WIRE, OA/RA/REL. HUM.	025-36439-001
76	4	ECONOMIZER	RETURN AIR TEMP. SENSOR (DRY BULB)	025-36432-001
*	4A	ECONOMIZER	HARNESS, WIRE, OA/RA/REL. HUM.	025-36439-001
76	5	ECONOMIZER	RETURN AIR TEMP./HUMIDITY SENSOR (SE)	025-36433-001
*	5A	ECONOMIZER	HARNESS, WIRE, OA/RA/REL. HUM.	025-36439-001
76	6	ECONOMIZER	RETURN AIR TEMP./HUMIDITY SENSOR (DE)	025-36433-001
*	6A	ECONOMIZER	HARNESS, WIRE, OA/RA/REL. HUM.	025-36439-001
76	7	ECONOMIZER	PANEL, ASSY, OA TEMP SENSOR	385-20060-100
76	8	ECONOMIZER	PANEL, ASSY, OA TEMP SENSOR, LINER	385-20060-002

NOTE:

* Items are NOT shown.
SE - Single Enthalpy
DE - Dual Enthalpy

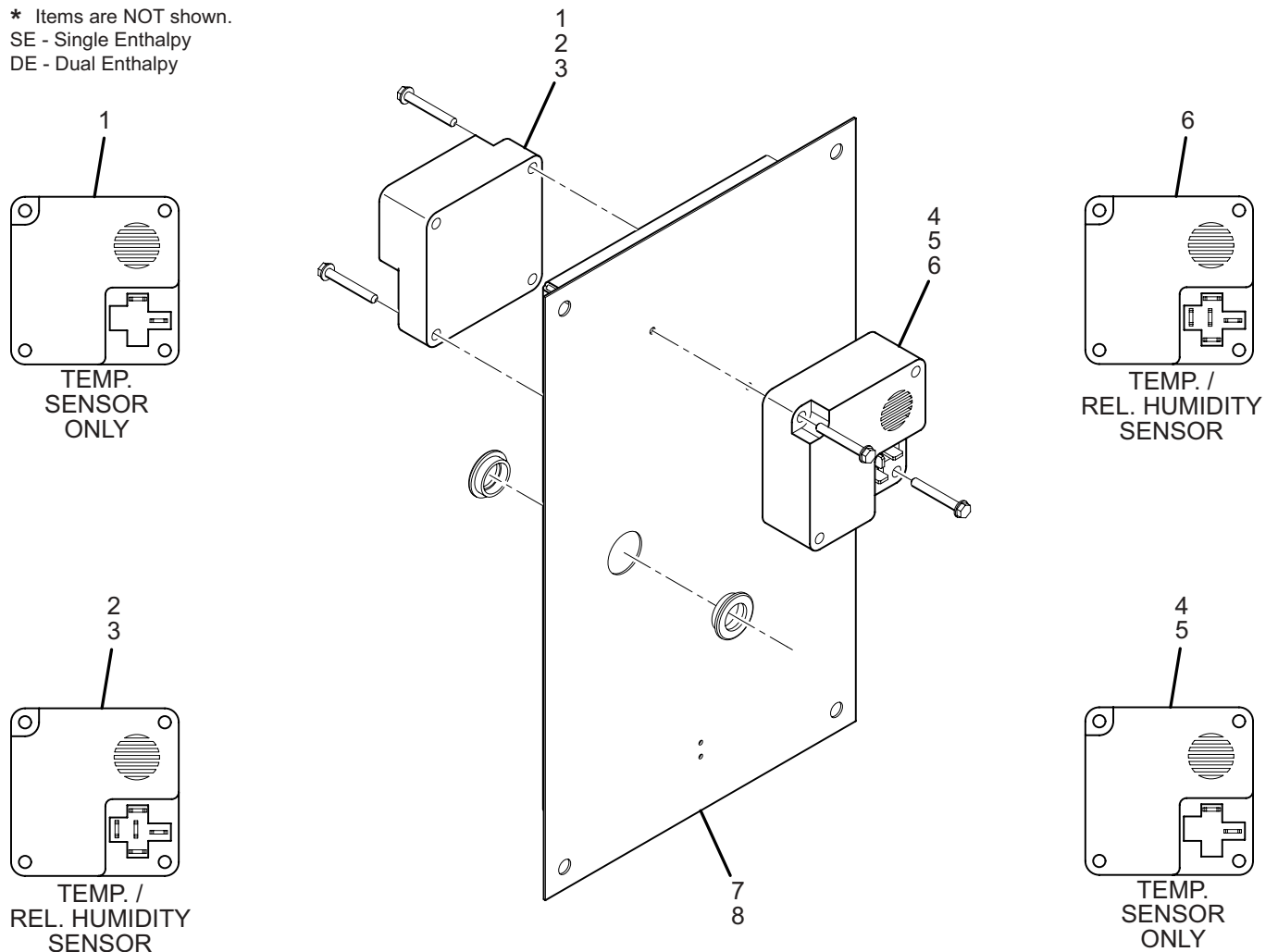


FIG. 76 - TRANSDUCERS, SWITCHES, AND SENSORS (ECONOMIZER SECTION)

TABLE 77 - SERVICE AND CONVENIENCE KITS

FIGURE	ITEM	DESCRIPTION	PART NUMBER
77	1	CONVENIENCE OUTLET KIT, 200V	371-04534-001
77	1	CONVENIENCE OUTLET KIT, 230V	371-04534-002
77	1	CONVENIENCE OUTLET KIT, 460V	371-04534-003
77	1	CONVENIENCE OUTLET KIT, 575V	371-04534-004
77	2	NO CONVENIENCE OUTLET KIT	385-20087-001
77	3	INTERNAL LIGHT KIT	385-20084-001

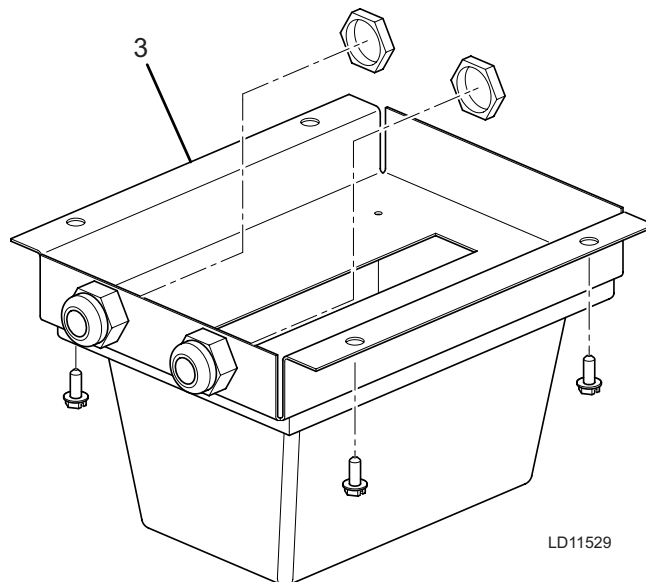
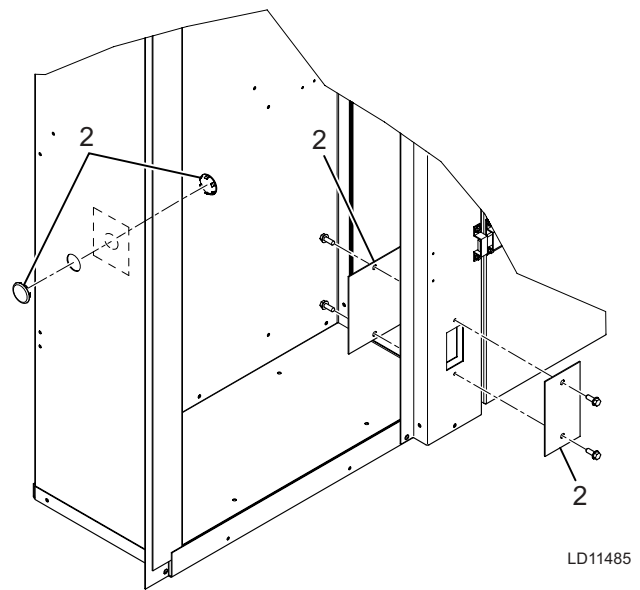
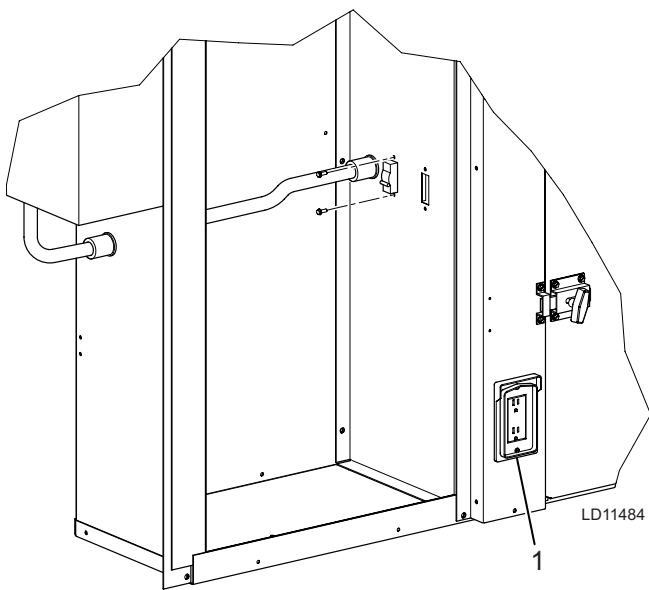


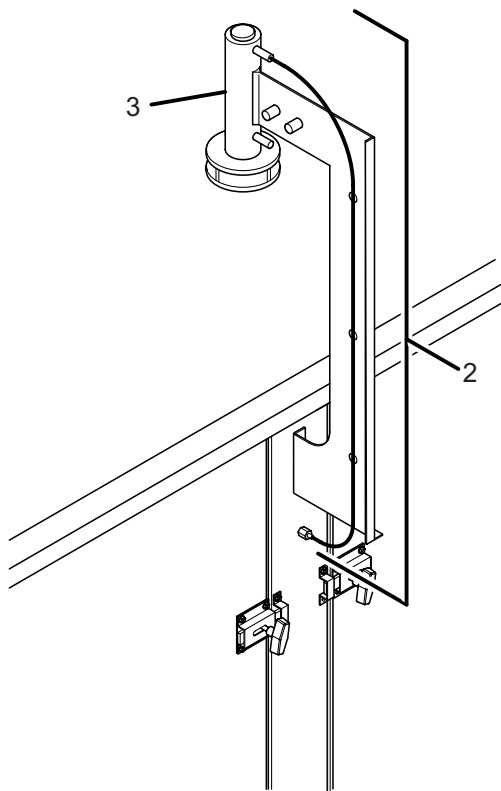
FIG. 77 - SERVICE AND CONVENIENCE KITS

TABLE 78 - MISCELLANEOUS KITS

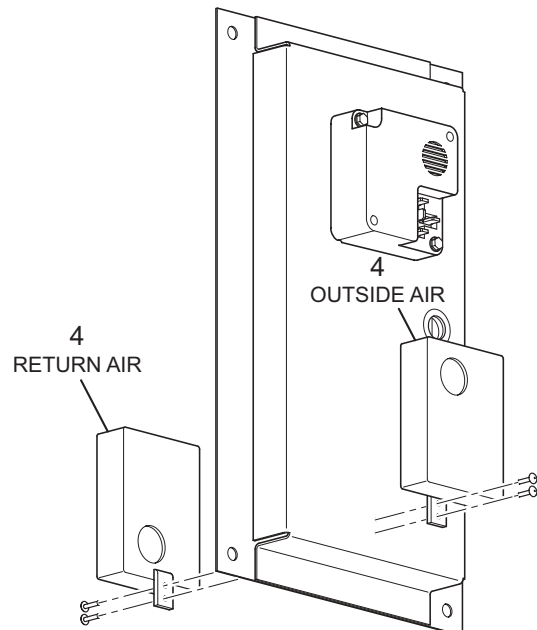
FIGURE	ITEM	DESCRIPTION	PART NUMBER
*	1	HGBP WIRING KIT SINGLE SYSTEM	385-20081-001
78	2	OUTDOOR STATIC PRESSURE KIT (0 TEES)	385-20082-001
78	2	OUTDOOR STATIC PRESSURE KIT (1 TEE)	385-20082-003
78	2	OUTDOOR STATIC PRESSURE KIT (2 TEES)	385-20082-004
78	3	OUTDOOR PRESSURE PROBE	025-36186-000
78	4	SENSOR, CO ₂ , TRANSMITTER	025-36461-000
*	5	LLSV WIRING KIT	385-20086-001

NOTE:

* - Items are NOT shown.



LD11639



LD11531

FIG. 78 - MISCELLANEOUS KITS

TABLE 79 - SHIPPED LOOSE CONTROL ACCESSORIES

FIGURE	ITEM	DESCRIPTION	PART NUMBER
*	1	4 STAGE THERMOSTAT	025-36259-000
*	2	ZONE SENSOR WITHOUT ADJUST	031-02529-000

NOTE:

* - Items are NOT shown.

THIS PAGE INTENTIONALLY LEFT BLANK



A JOHNSON CONTROLS COMPANY

P.O. Box 1592, York, Pennsylvania USA 17405-1592
Copyright © by JOHNSON CONTROLS, INC. 2006
Form 100.50-RP4 (306)
Supersedes: NOTHING

Tele. 800-861-1001
www.york.com

Subject to change without notice. Printed in USA
ALL RIGHTS RESERVED