



**PACKAGED ROOFTOP  
AIR CONDITIONING UNITS**

**RENEWAL PARTS**

New Release

FORM 100.50-RP2 (304)

**eco<sup>2</sup>**

**50 THROUGH 95 TONS  
R-407 AND R-22  
REVISIONS A AND B**



00406



**ALLY**

## NOMENCLATURE

### BASE MODEL NUMBER

BASE PRODUCT TYPE				NOMINAL CAPACITY			APPLICATION		REFRIGERANT	VOLTAGE		DUCT LOCATIONS		DESIGN SPECIAL	
1	2	3	4	5	6	7	8	9	10	11	12	13	14	15	16
Y				0	5	0			B	1	7	B		A	
	P			0	5	5			C	2	8	L		B	
				0	6	0				4	6	R		X	
		A		0	6	5		C		4	5			S	
		L		0	7	0		N		5	8				
				0	7	5		G							
				0	8	0		E							
				0	8	5		S							
				0	9	0		H							
				0	9	5		C							
								V							
								F							

## WARNING

### HIGH VOLTAGE

is used in the operation of this equipment.

### DEATH OR SERIOUS INJURY

may result if personnel fail to observe safety precautions.

Work on electronic equipment should not be undertaken unless the individual(s) has (have) been trained in the proper maintenance of the equipment and is (are) familiar with its potential hazards.

Shut off the power supply to the equipment before beginning work and follow lockout procedures. When working inside equipment with the power off, take care to discharge every capacitor likely to hold dangerous potential.

Be careful not to contact high voltage connections when installing or operating this equipment.

### LOW VOLTAGE

DO NOT be misled by the term "low voltage". Voltages as low as 50 volts may cause death.

## LIST OF TABLES

Table Number	Title	Page Number
1	Door Assemblies.....	9
2	Door Latch and Hinge Hardware .....	13
3	Exterior Upright Assemblies .....	15
4	Panel Assemblies .....	19
5	Hood Assemblies and Filters .....	23
6	Chimney Assemblies .....	24
7	Exhaust Dampers and Actuators .....	25
8	Exhaust Fans.....	27
9	Exhaust Fan Motors, ODP, 3 Phase, 60 Hertz .....	29
10	Exhaust Fan Motors, TEFC, 3 Phase, 60 Hertz .....	30
11	Exhaust Fan Motors, ODP and TEFC, 3 Phase, 50 Hertz .....	31
12	Exhaust Fan One Inch Spring Isolators .....	31
13	Exhaust Fan Two Inch Spring Isolators .....	32
14	Exhaust Fan One-Half Inch Neoprene Isolators.....	32
15	Isolator Part Number Identification by Color .....	33
16	Exhaust Fan Replacement Parts .....	33
17	Return Fans.....	34
18	Return Fan Motors, ODP, 3 Phase, 60 Hertz .....	36
19	Return Fan Motors, TEFC, 3 Phase, 60 Hertz .....	37
20	Return Fan Motors, ODP and TEFC, 3 Phase, 50 Hertz.....	37
21	Return Fan One Inch Spring Isolators .....	38
22	Return Fan Two Inch Spring Isolators .....	38
23	Isolator Part Number Identification by Color .....	38
24	Return Fan Replacement Parts .....	39
25	Economizer Dampers and Actuators .....	40
26	Air Measurement Stations .....	46
27	Filters, Angle.....	46
28	Filters, Rigid.....	48
29	Evaporator Coils (R407C and R22).....	52
30	Evaporator Face Dampers, Actuators, and Relays .....	53
31	Supply Fans.....	54
32	Supply Fan Motors, ODP, 3 Phase, 60 Hertz .....	57
33	Supply Fan Motors, TEFC, 3 Phase, 60 Hertz .....	58
34	Supply Fan Motors, ODP and TEFC, 3 Phase, 50 Hertz .....	59
35	Supply Fan (Forward-Curved) One Inch Spring Isolators .....	59
36	Supply Fan (Forward-Curved) Two Inch Spring Isolators .....	60
37	Supply Fan (Airfoil) One Inch Spring Isolators .....	60
38	Supply Fan (Airfoil) Two Inch Spring Isolators .....	61
39	Isolator Part Number Identification by Color .....	61
40	Supply Fan Replacement Parts .....	62
41	Supply Fan Motor Variable Frequency Drives.....	65
42	Supply Fan Motor VFD Bypass Boxes, Old Style.....	65
43	VFD Bypass Box Replacement Parts, Old Style .....	67
44	Supply Fan Motor VFD Bypass Boxes, New Style .....	76
45	Exhaust Fan Motor Variable Frequency Drives.....	78
46	Exhaust Fan Motor VFD Bypass Boxes .....	78
47	VFD Bypass Box Replacement Parts, New Style.....	80
48	Flexsys Bypass Dampers and Actuators .....	86
49	Staged Gas Heat Parts.....	87

## LIST OF TABLES - CONTINUED

Table Number	Title	Page Number
50	Hot Water Heat Coils.....	91
51	Steam Heat Coils .....	91
52	Hot Water Heat Piping Parts .....	93
53	Electric Heater Coils.....	98
54	Condenser Coil Lanced Panels.....	100
55	Condenser Coil Wire Guards .....	100
56	Condenser Fans and Fan Guards.....	103
57	Condenser Fan Motors.....	103
58	Condenser Fan Motor Variable Frequency Drives .....	103
59	Condenser Coils (R407C) .....	106
60	Condenser Coils (R22).....	106
61	Condenser Discharge Headers (R407C) .....	106
62	Condenser Liquid Headers (R407C) .....	106
63	Condenser Discharge Headers (R22) .....	107
64	Condenser Liquid Headers (R22).....	107
65	Refrigerant Piping Parts with Maneurop Compressors (R407C and R22) .....	109
66	Compressors, Scroll, Maneurop (R407C) .....	110
67	Compressors, Scroll, Maneurop (R22) .....	111
68	Refrigerant Piping Parts with Copeland Compressors (R407C and R22) .....	121
69	Compressors, Scroll, Copeland (R407C) .....	122
70	Compressors, Scroll, Copeland (R22).....	123
71	Thermal Expansion Valves and Distributors .....	133
72	Compressor Crankcase Heaters .....	133
73	Compressor Sound Blanket Kits, Maneurop .....	135
74	Compressor Sound Blanket Kits, Copeland .....	135
75	Transducers, Switches, and Sensors.....	136
76	Return Fan Motor Overload Relays.....	149

## LIST OF FIGURES

Figure Number	Title	Page Number
1	Door Assemblies and Side Panel Assemblies (50-65 Tons) .....	10
2	Door Assemblies (70-85 Tons) .....	11
3	Door Assemblies (90-95 Tons) .....	12
4	Door Latch and Hinge Hardware .....	14
5	Exterior Upright Assemblies (50-65 Tons) .....	16
6	Side Panel Assemblies and Exterior Upright Assemblies (70-85 Tons) .....	17
7	Side Panel Assemblies and Exterior Upright Assemblies (90-95 Tons) .....	18
8	Side, Rear, and Exhaust Hoods and Top, Bottom and Return Panels (50-65 Tons) .....	20
9	Side, Rear, and Exhaust Hoods and Top and Bottom Panels (70-85 Tons) .....	21
10	Side, Rear, and Exhaust Hoods and Top and Bottom Panels (90-95 Tons) .....	22
11	Chimney Assemblies (50-95 Tons) .....	24
12	Exhaust Dampers .....	25
13	Damper, Actuator, and Actuator Mounting Kit (50-95 Tons) .....	26
14	Actuator Mounting Kit Parts .....	26
15	Exhaust Fans, Motors, Isolators, and Drive Components (50-95 Tons) .....	28
16	Exhaust Fan Replacment Parts .....	34
17	Return Fans, Motors, Isolators, and Drive Components (50-95 Tons) .....	35
18	Return Fan Replacement Parts .....	39
19	Economizer Dampers and Air Measurement Stations (50-65 Tons) .....	41
20	Economizer Dampers and Air Measurement Stations (70-85 Tons) .....	42
21	Economizer Dampers and Air Measurement Stations (90-95 Tons) .....	43
22	Manual Locking Quadrant Kit .....	44
23	Blade to Blade Linkage Kit .....	44
24	Jackshaft Kit .....	45
25	Angle Filters (50-65 Tons) .....	47
26	Rigid Filters (50-65 Tons) .....	49
27	Rigid Filters (70-85 Tons) .....	50
28	Rigid Filters (90-95 Tons) .....	51
29	Evaporator Coils (50-95 Tons) .....	52
30	Evaporator Face Dampers, Actuators, and Relays (50-95 Tons) .....	53
31	Supply Fans, Motors, Isolators, and Drive Components (50-65 Tons) .....	55
32	Supply Fans, Motors, Isolators, and Drive Components (70-95 Tons) .....	56
33	Supply Fan (Forward Curved) Replacement Parts .....	63
34	Supply Fan (Airfoil) Replacement Parts .....	64
35	Supply and Exhaust Fan Motor VFDs and VFD Bypass Box, Old Style (50-95 Tons) ...	66
36	VFD Bypass Box Replacement Parts, Old Style (17-25 Motor FLA) .....	71
37	VFD Bypass Box Replacement Parts, Old Style (32-65 Motor FLA) .....	72
38	VFD Bypass Box Replacement Parts, Old Style (80-110 Motor FLA) .....	73
39	VFD Bypass Box Replacement Parts, Old Style (110-150 Motor FLA) .....	74
40	VFD Bypass Box Replacement Parts, Old Style (150-200 Motor FLA) .....	75
41	Supply Fan Motor VFD and VFD Bypass Box, New Style (50-95 Tons) .....	77
42	Exhaust Fan Motor VFD and VFD Bypass Box, New Style (50-95 Tons) .....	79
43	VFD Bypass Box Replacement Parts, New Style (6-25 Motor FLA) .....	81
44	VFD Bypass Box Replacement Parts, New Style (23-50 Motor FLA) .....	82
45	VFD Bypass Box Replacement Parts, New Style (48-65 Motor FLA) .....	83
46	VFD Bypass Box Replacement Parts, New Style (60-110 Motor FLA) .....	84
47	VFD Bypass Box Replacement Parts, New Style (110-200 Motor FLA) .....	85
48	Flexsys Bypass Dampers and Actuators (50-95 Tons) .....	86
49	Staged Gas Heat Arrangements (50-65 Tons) .....	88

## LIST OF FIGURES - CONTINUED

Figure Number	Title	Page Number
50	Staged Gas Heat Arrangements (70-95 Tons).....	89
51	Staged Gas Heat Parts (70-95 Tons).....	90
52	Hot Water and Steam Heat Coils (50-95 Tons).....	92
53	Hot Water Heat 2-Way Piping for 0.75, 1.00, and 1.25 Valves .....	94
54	Hot Water Heat 2-Way Piping for 1.50 and 2.00 Valves .....	95
55	Hot Water Heat 3-Way Piping for 0.75, 1.00, and 1.25 Valves .....	96
56	Hot Water Heat 3-Way Piping for 1.50 and 2.00 Valves .....	97
57	Electric Heater Coils (50-95 Tons) .....	99
58	Condenser Coil Lanced Panels and Wire Guards (50-65 Tons) .....	101
59	Condenser Coil Lanced Panels and Wire Guards (70-95 Tons) .....	102
60	Condenser Fans, Fan Guards, and Fan Motors (50-95 Tons) .....	104
61	Condenser Fan Motor Variable Frequency Drives (50-65 Tons) .....	105
62	Condenser Fan Motor Variable Frequency Drives (70-95 Tons) .....	105
63	Condenser Coils and Headers for R407C (50-65 and 80-95 Tons) .....	107
64	Condenser Coils and Headers for R407C and R22 (70-75 Tons).....	108
65	Condenser Coils and Headers for R22 (50-65 and 80-95 Tons).....	108
66	Refrigerant Suction, Discharge and Liquid Piping, Maneurop Compressor (50-65 Tons) .....	112
67	Refrigerant Liquid Piping, Maneurop Compressor (50-65 Tons).....	113
68	Refrigerant Hot Gas Piping, Maneurop Compressor (50-65 Tons) .....	114
69	Refrigerant Suction and Discharge Piping, Maneurop Compressor (70-85 Tons) .....	115
70	Refrigerant Liquid Piping, Maneurop Compressor (70-85 Tons).....	116
71	Refrigerant Hot Gas Piping, Maneurop Compressor (70-85 Tons) .....	117
72	Refrigerant Suction and Discharge Piping, Maneurop Compressor (90-95 Tons) .....	118
73	Refrigerant Liquid Piping, Maneurop Compressor (90-95 Tons).....	119
74	Refrigerant Hot Gas Piping, Maneurop Compressor (90-95 Tons) .....	120
75	Refrigerant Suction and Discharge Piping, Copeland Compressor (50-65 Tons) .....	124
76	Refrigerant Liquid Piping, Copeland Compressor (50-65 Tons) .....	125
77	Refrigerant Hot Gas Piping, Copeland Compressor (50-65 Tons).....	126
78	Refrigerant Suction and Discharge Piping, Copeland Compressor (70-85 Tons) .....	127
79	Refrigerant Liquid Piping, Copeland Compressor (70-85 Tons) .....	128
80	Refrigerant Hot Gas Piping, Copeland Compressor (70-85 Tons).....	129
81	Refrigerant Suction and Discharge Piping, Copeland Compressor (90-95 Tons) .....	130
82	Refrigerant Liquid Piping, Copeland Compressor (90-95 Tons) .....	131
83	Refrigerant Hot Gas Piping, Copeland Compressor (90-95 Tons).....	132
84	Compressor Crankcase Heaters (50-95 Tons) .....	134
85	Suction and Discharge Pressure Transducers and Safety Switches, Maneurop Compressor (50-65 Tons).....	137
86	Suction and Discharge Pressure Transducers and Safety Switches, Maneurop Compressor (70-95 Tons).....	138
87	Suction and Discharge Pressure Transducers and Safety Switches, Copeland Compressor (50-65 Tons) .....	139
88	Suction and Discharge Pressure Transducers and Safety Switches, Copeland Compressor (70-95 Tons) .....	140
89	Hot Water and Steam Heat Freezestat (50-95 Tons).....	141
90	Air Proving Switch and Supply Air Temperature Sensor (50-95 Tons) .....	142
91	Evaporator Temperature Sensor (50-65 Tons) .....	143
92	Evaporator Temperature Sensor (70-95 Tons) .....	144
93	Flexsys Evaporator Temperature Sensor (Old) (50-95 Tons) .....	145

**LIST OF FIGURES - CONTINUED**

<b>Figure Number</b>	<b>Title</b>	<b>Page Number</b>
94	Dirty Filter and Negative Pressure Switches .....	146
95	Economizer Section Transducers and Sensors .....	147
96	Outside Air Temperature Sensor (External) .....	148
97	Return Fan Motor Overload Relays .....	150



**TABLE 1 - DOOR ASSEMBLIES**

<b>FIGURE</b>	<b>ITEM</b>	<b>UNIT SIZE</b>	<b>DESCRIPTION</b>	<b>PART NUMBER</b>
1	1	50-65	Half Door Assembly	385-00429-100
1	2		Door Assembly, 27" x 82"	385-00429-101
1	3		Door Assembly, 21" x 82"	385-00429-102
1	4		Door Assembly, Gas Heat Option, 27" x 82"	385-00429-200
2	1	70-85	Half Door Assembly	385-00429-103
2	2		Door Assembly, 33" x 92"	385-00429-104
2	3		Door Assembly, 22" x 92"	385-00429-105
2	4		Door Assembly, 27" x 92"	385-00429-107
2	5		Door Assembly, Gas Heat Option, 27" x 92"	385-00429-203
3	1	90-95	Half Door Assembly	385-00429-106
3	2		Door Assembly, 27" x 92"	385-00429-107
3	3		Door Assembly, Gas Heat Option, 27" x 92"	385-00429-203

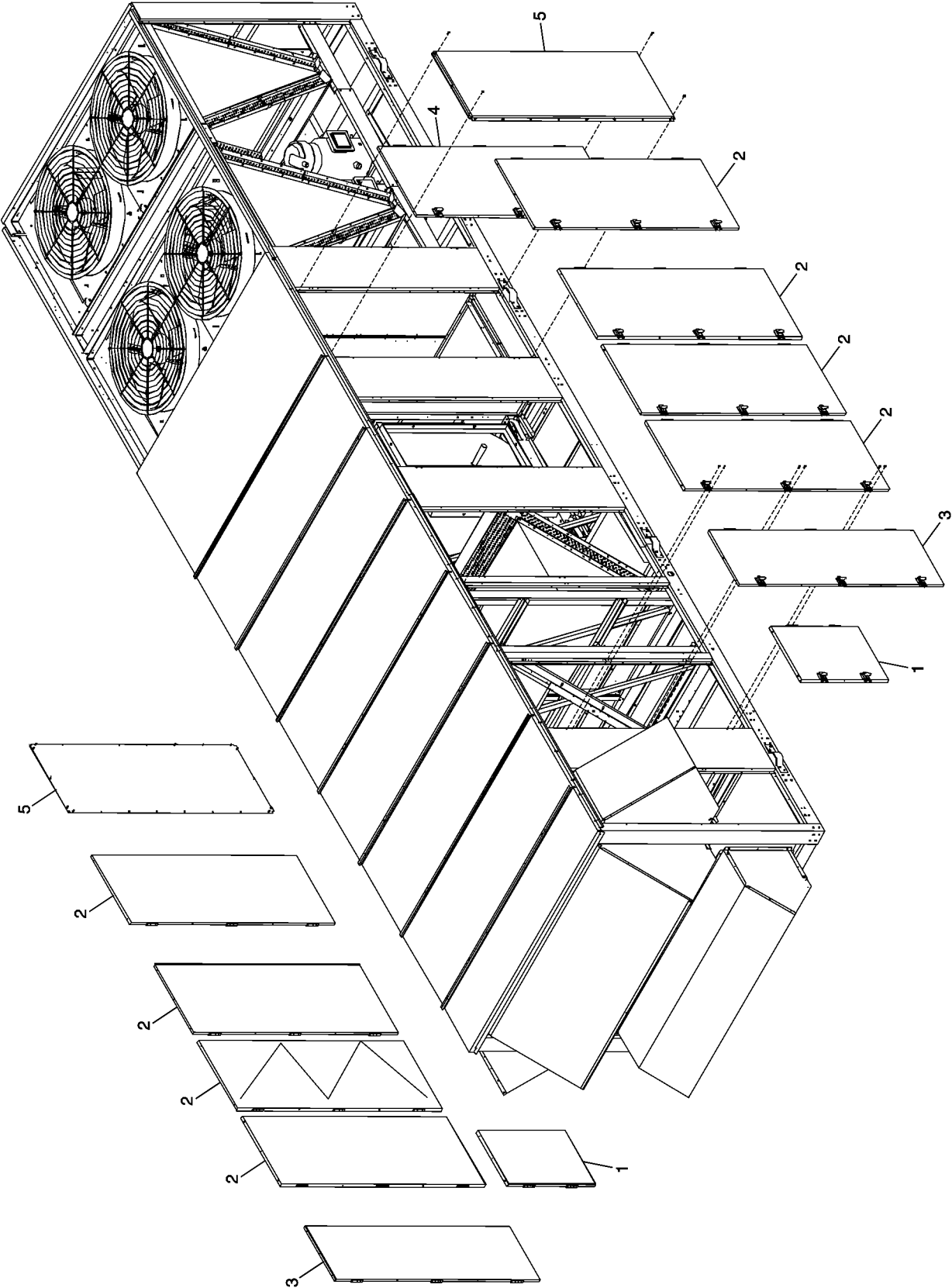
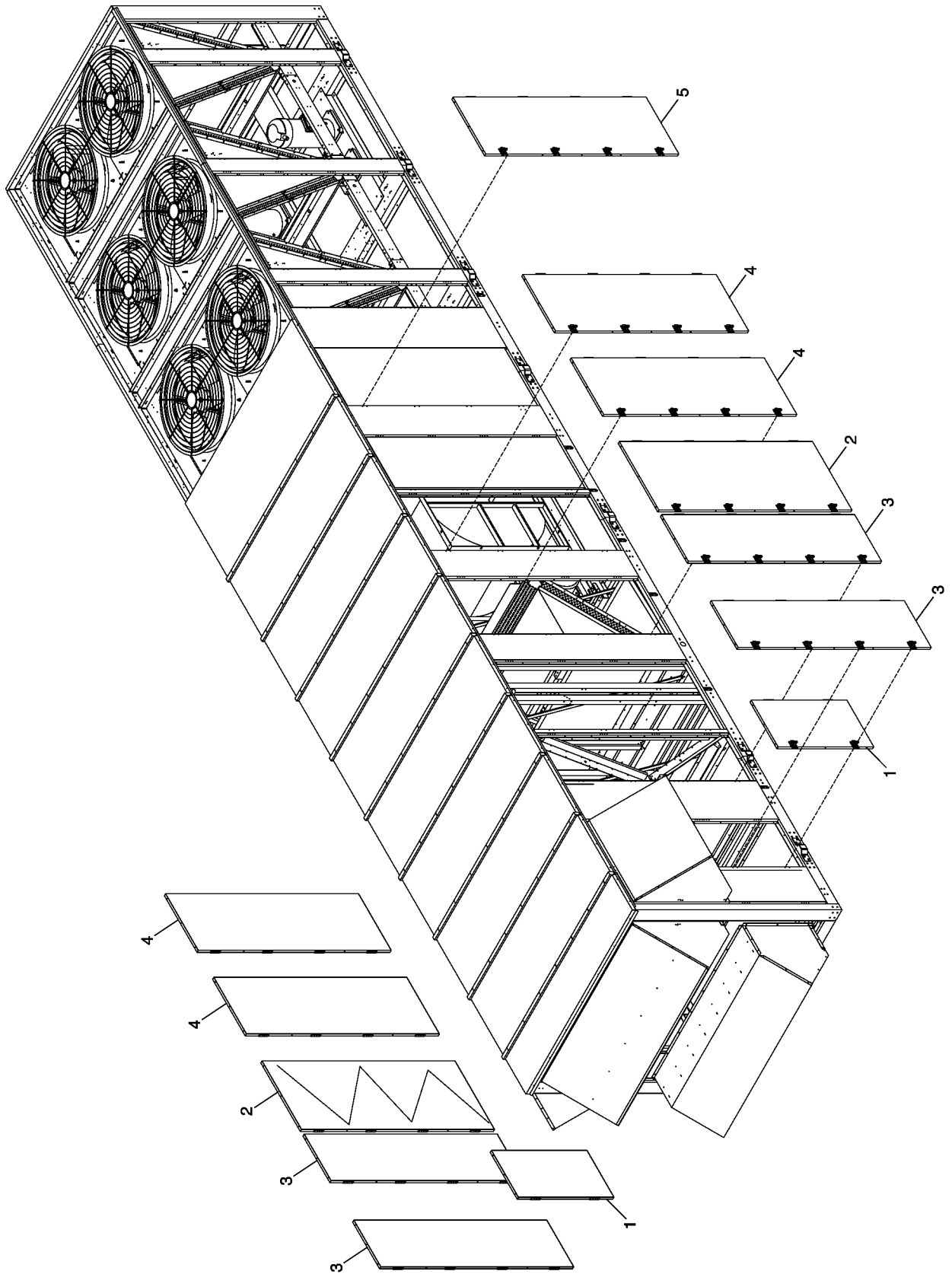


FIGURE 1 - DOOR ASSEMBLIES AND SIDE PANEL ASSEMBLIES (50-65 TONS)



**FIGURE 2 - DOOR ASSEMBLIES (70-85 TONS)**

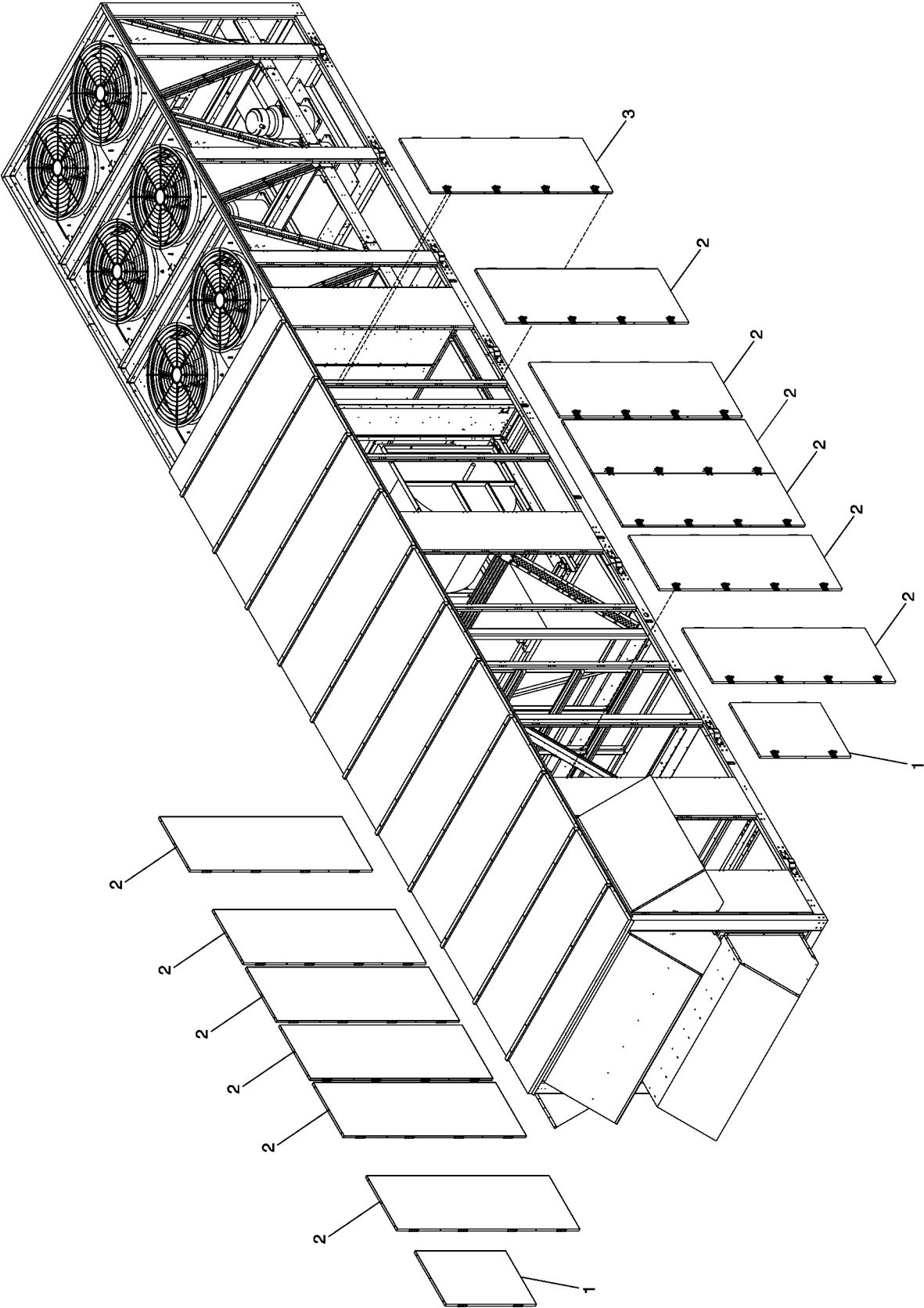


FIGURE 3 - DOOR ASSEMBLIES (90-95 TONS)

**TABLE 2 - DOOR LATCH AND HINGE HARDWARE**

<b>FIGURE</b>	<b>ITEM</b>	<b>DESCRIPTION</b>	<b>PART NUMBER</b>
4	1	Screw, Hex Head, #10-24UNC x 1/2" Long	021-19520-000
4	2	Door Latch Catch	029-22028-000
4	3	Door Latch Tongue Guide	029-22029-000
4	4	Door Latch Back Plate	029-22030-000
4	5	Door Latch Tongue	029-22032-000
4	6	Tee Knob, 1/4-20UNC Threaded	029-22027-000
4	7	Washer, Plain, 5/16 ID x 3/4 OD	021-16165-000
4	8	Nut, Hex, 1/4-20UNC-2B	021-16151-000
4	9	Screw, Tapping, Pan Head, #10 x 1/2" Long	021-13769-000
4	10	Door Hinge	029-22026-000

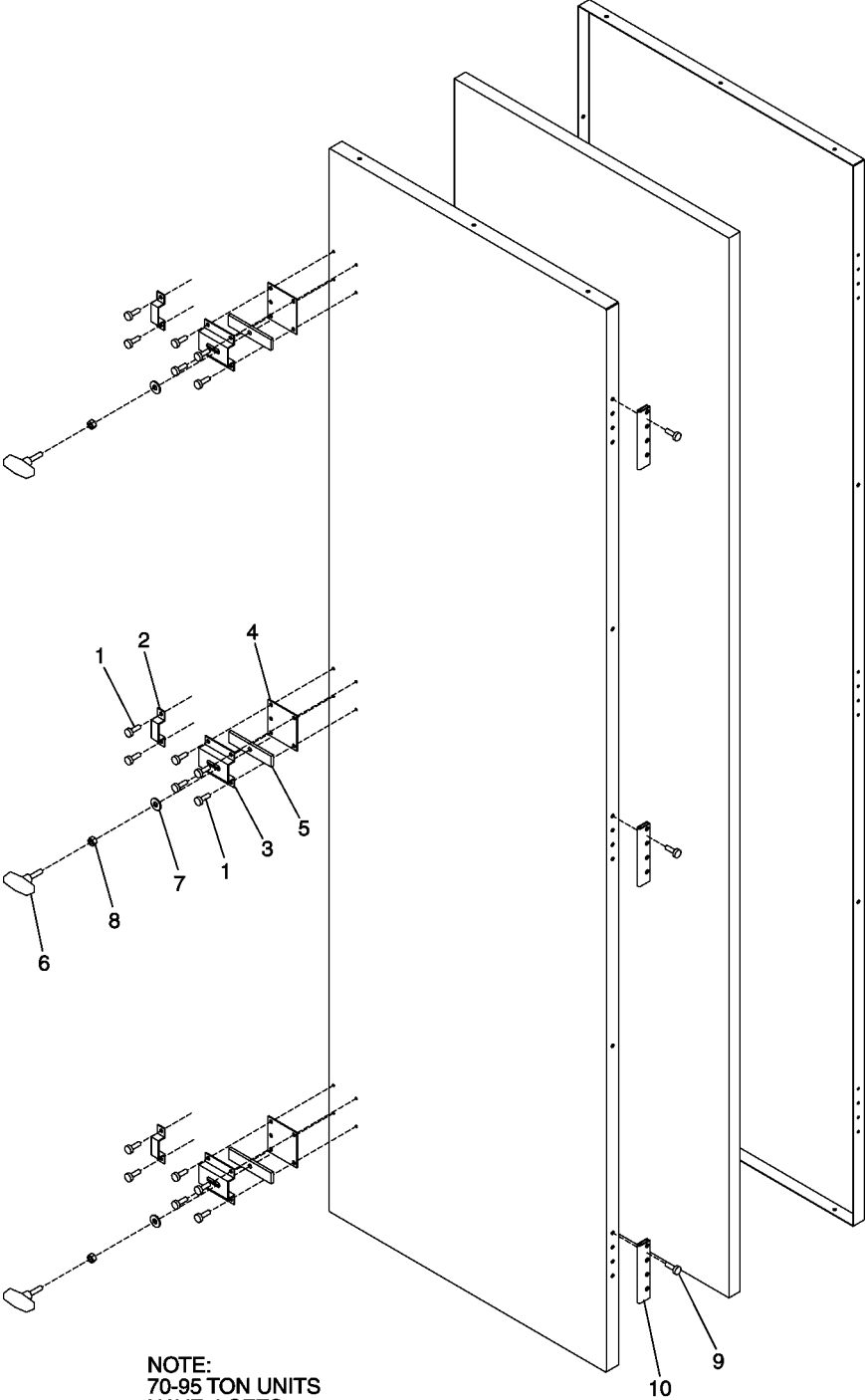


FIGURE 4 - DOOR LATCH AND HINGE HARDWARE

**TABLE 3 - EXTERIOR UPRIGHT ASSEMBLIES**

FIGURE	ITEM	UNIT SIZE	DESCRIPTION	PART NUMBER
5	1	50-65	Exterior Upright Assembly, 18.75" x 82"	385-00434-102
5	2		Exterior Upright Assembly, 4.75" x 82"	385-00434-103
5	3		Exterior Upright Assembly, Gas Heat, Single Flue, 18.75" x 82"	385-00434-200
5	4		Exterior Upright Assembly, Gas Heat, Double Flue, 18.75" x 82"	385-00434-201
6	8	70-85	Exterior Upright Assembly, 22.36" x 92"	385-00434-301
6	9		Exterior Upright Assembly, 3.75" x 92"	385-00434-302
6	10		Exterior Upright Assembly, 13" x 92"	385-00434-305
6	11		Exterior Upright Assembly, 16.64" x 92"	385-00434-306
6	12		Exterior Upright Assembly, 21.25" x 92"	385-00434-307
6	13		Exterior Upright Assembly, 15" x 92"	385-00434-308
6	14		Exterior Upright Assembly, Gas Heat, Single Flue, 22.36" x 92"	385-00434-400
6	15		Exterior Upright Assembly, Gas Heat, Double Flue, 22.36" x 92"	385-00434-401
6	16		Exterior Upright Assembly, Gas Heat, Triple Flue, 22.36" x 92"	385-00434-402
7	8		90-95	Exterior Upright Assembly, 24.53" x 92"
7	9	Exterior Upright Assembly, 22.36" x 92"		385-00434-301
7	10	Exterior Upright Assembly, 3.75" x 92"		385-00434-302
7	11	Exterior Upright Assembly, Filter Section, 3.75" x 92"		385-00434-303
7	12	Exterior Upright Assembly, 8.25" x 92"		385-00434-304
7	13	Exterior Upright Assembly, 13" x 92"		385-00434-305
7	14	Exterior Upright Assembly, Gas Heat, Single Flue, 22.36" x 92"		385-00434-400
7	15	Exterior Upright Assembly, Gas Heat, Double Flue, 22.36" x 92"		385-00434-401
7	16	Exterior Upright Assembly, Gas Heat, Triple Flue, 22.36" x 92"		385-00434-402

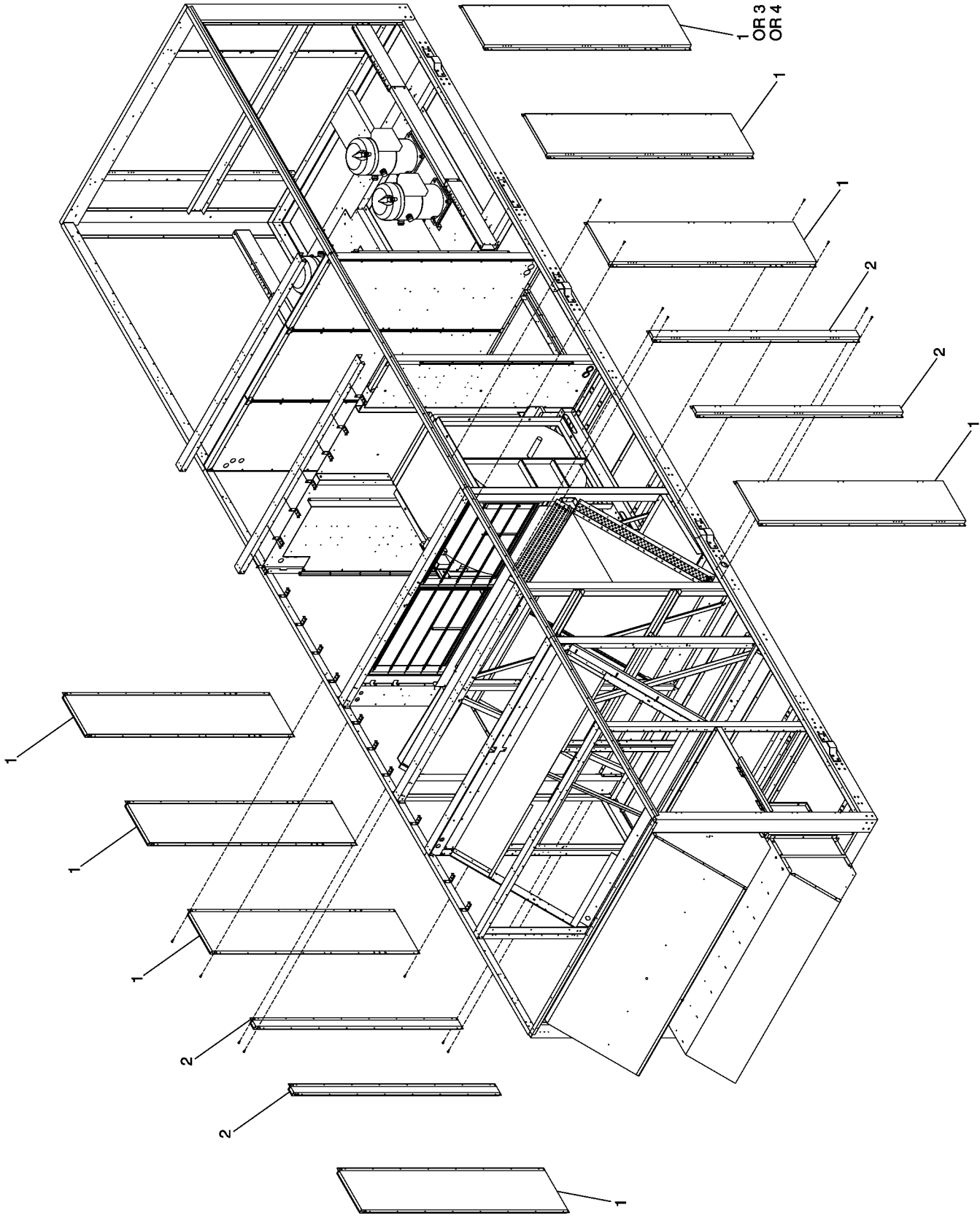
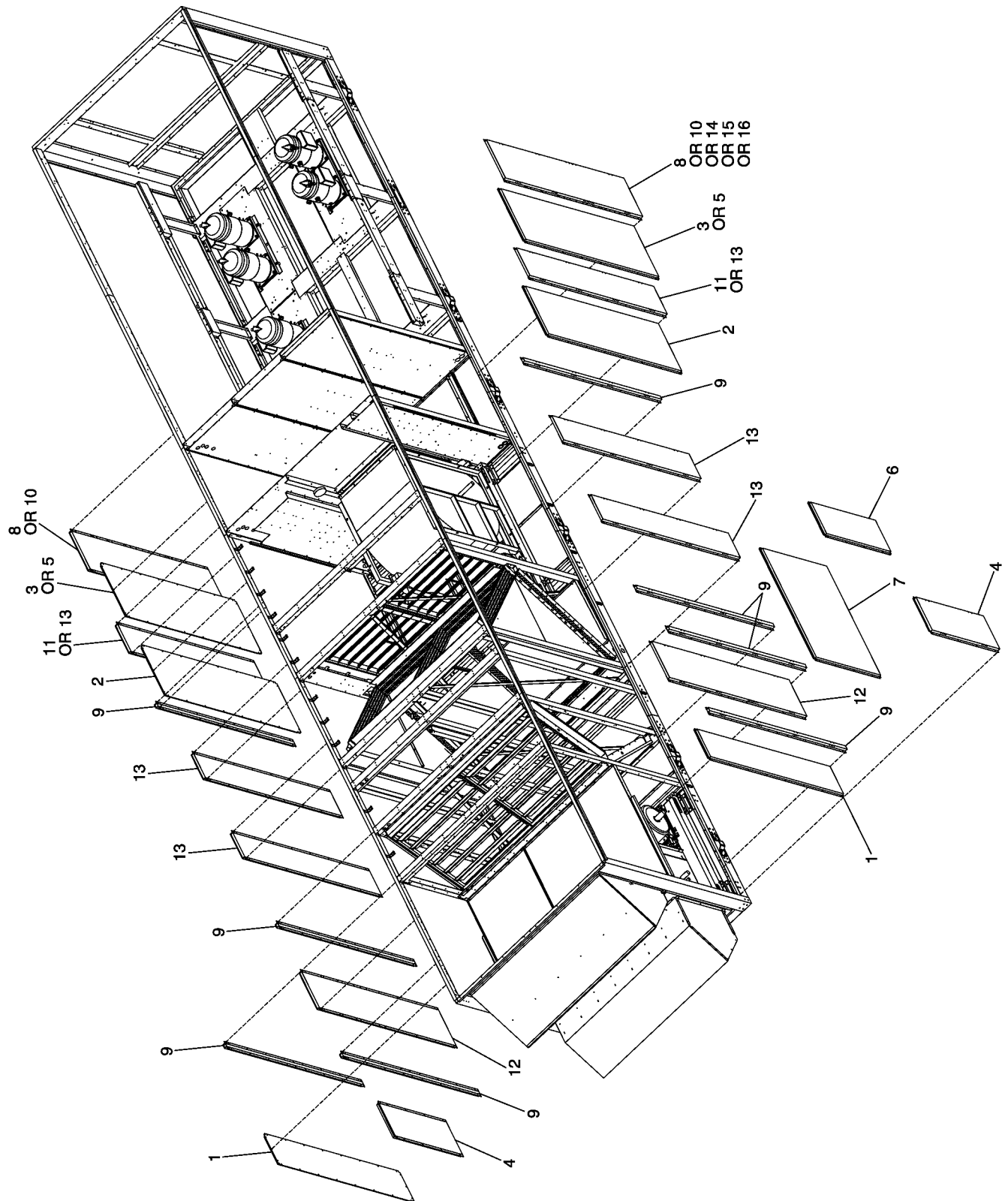


FIGURE 5 - EXTERIOR UPRIGHT ASSEMBLIES (50-65 TONS)



**FIGURE 6 - SIDE PANEL ASSEMBLIES AND EXTERIOR UPRIGHT ASSEMBLIES (70-85 TONS)**

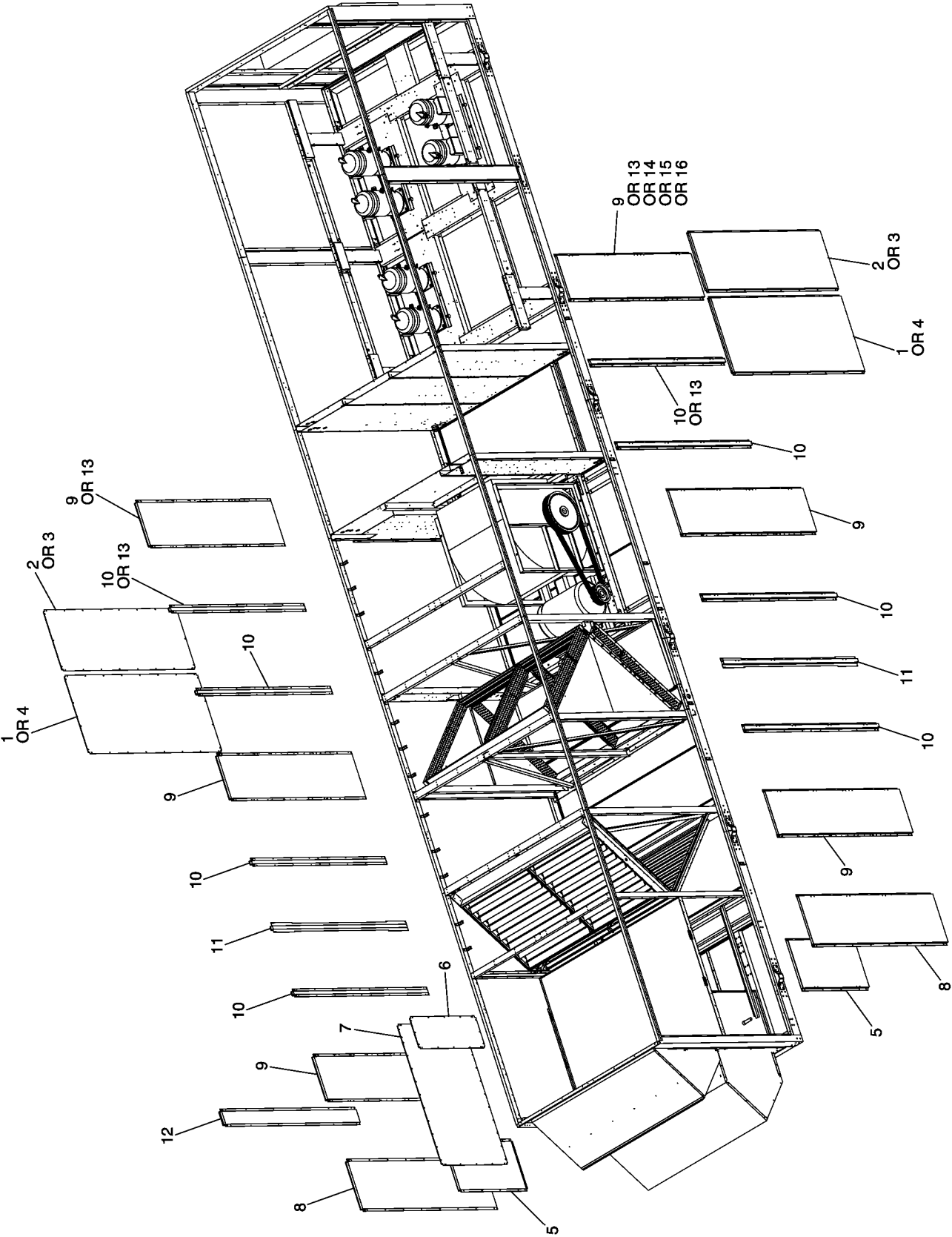
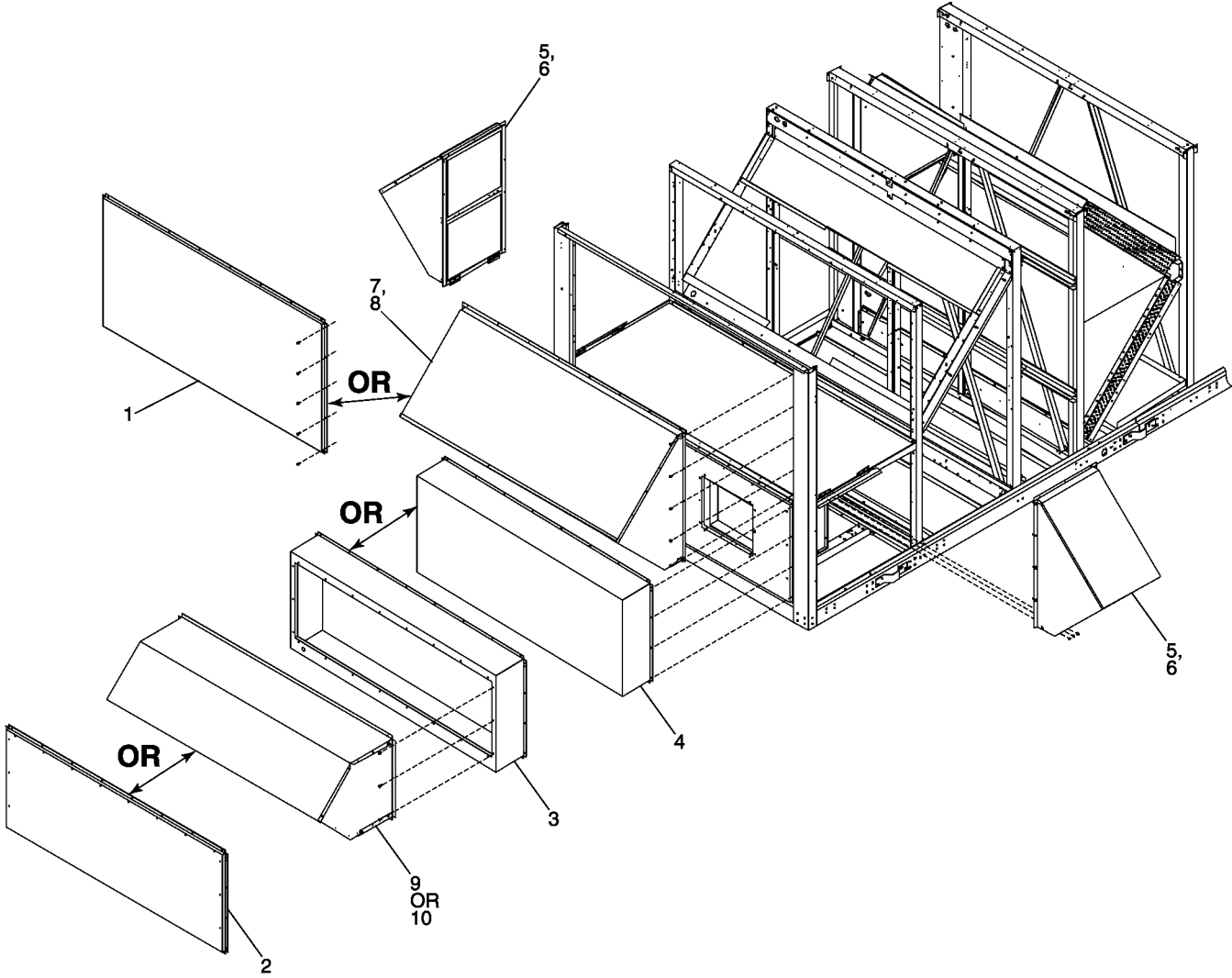


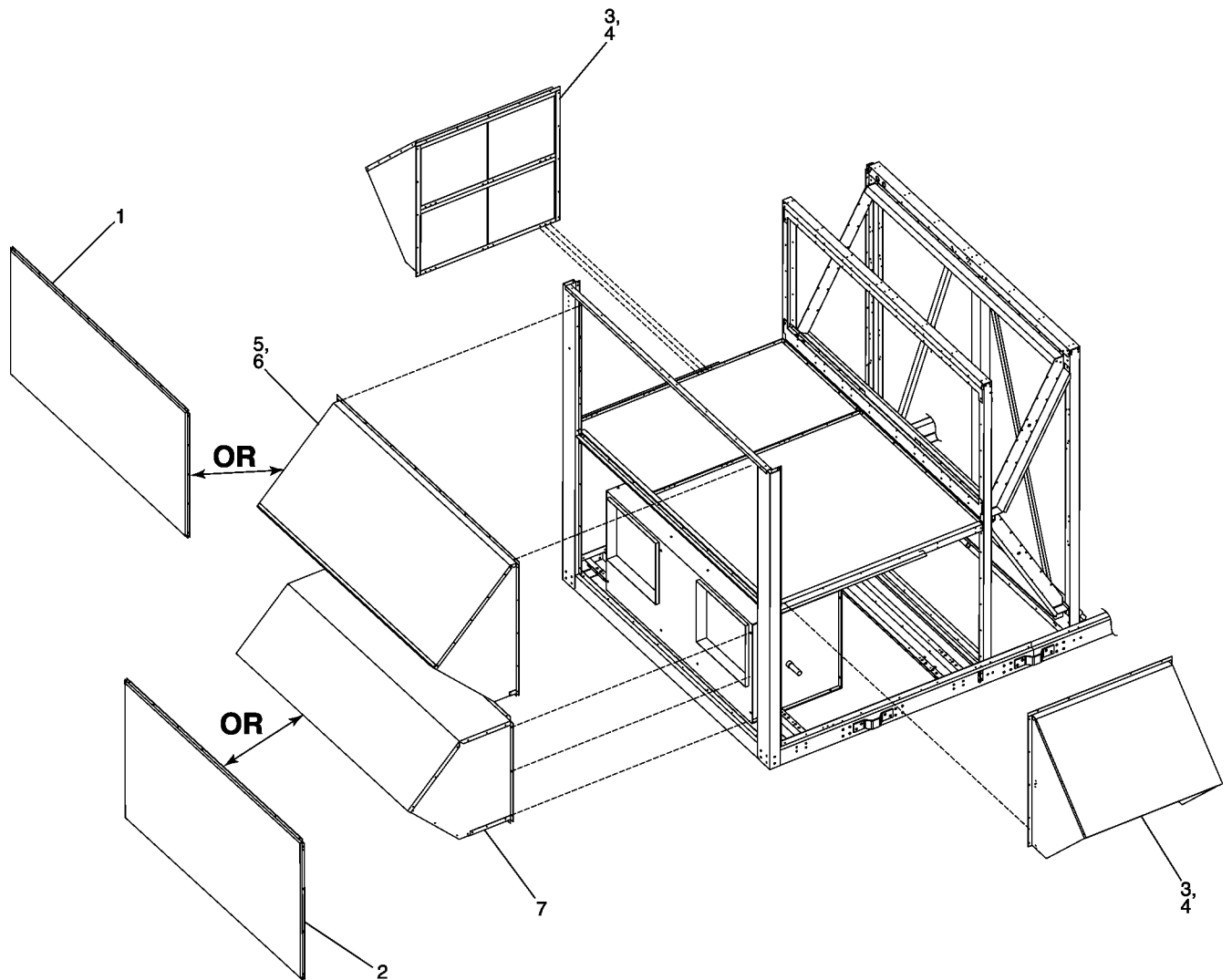
FIGURE 7 - SIDE PANEL ASSEMBLIES AND EXTERIOR UPRIGHT ASSEMBLIES (90-95 TONS)

**TABLE 4 - PANEL ASSEMBLIES**

FIGURE	ITEM	UNIT SIZE	DESCRIPTION	PART NUMBER
8	1	50-65	Top End Panel Assembly	385-00431-100
8	2		Bottom End Panel Assembly	385-00431-101
8	3		Return Fan Panel Assembly with Opening	385-00432-110
8	4		Return Fan Panel Assembly without Opening	385-00432-111
1	5		Side Panel Assembly, 27" x 82"	385-00431-102
9	1	70-85	Top End Panel Assembly	385-00431-100
6	1		Side Panel Assembly, 14.75" x 92"	385-00431-103
6	2		Side Panel Assembly, 25.365" x 92"	385-00431-104
6	3		Side Panel Assembly, 38" x 92"	385-00431-105
6	4		Half Panel Assembly	385-00431-106
9	2		Bottom End Panel Assembly	385-00431-109
6	5		Side Panel Assembly, 27" x 92"	385-00431-110
6	6		Side Panel Assembly, Return with Outside Air	385-00431-115
6	7		Side Panel Assembly, Return without Outside Air	385-00431-116
10	1		90-95	Top End Panel Assembly
7	1	Side Panel Assembly, 21.375" x 92"		385-00431-107
7	2	Side Panel Assembly, 41" x 92"		385-00431-108
10	2	Bottom End Panel Assembly		385-00431-109
7	3	Side Panel Assembly, 27" x 92"		385-00431-110
7	4	Side Panel Assembly, 35.216" x 92"		385-00431-111
7	5	Half Panel Assembly		385-00431-112
7	6	Side Panel Assembly, Return with Outside Air		385-00431-113
7	7	Side Panel Assembly, Return without Outside Air		385-00431-114



**FIGURE 8 - SIDE, REAR, AND EXHAUST HOODS AND TOP, BOTTOM, AND RETURN PANELS (50-65 TONS)**



**FIGURE 9 - SIDE, REAR, AND EXHAUST HOODS AND TOP AND BOTTOM PANELS (70-85 TONS)**

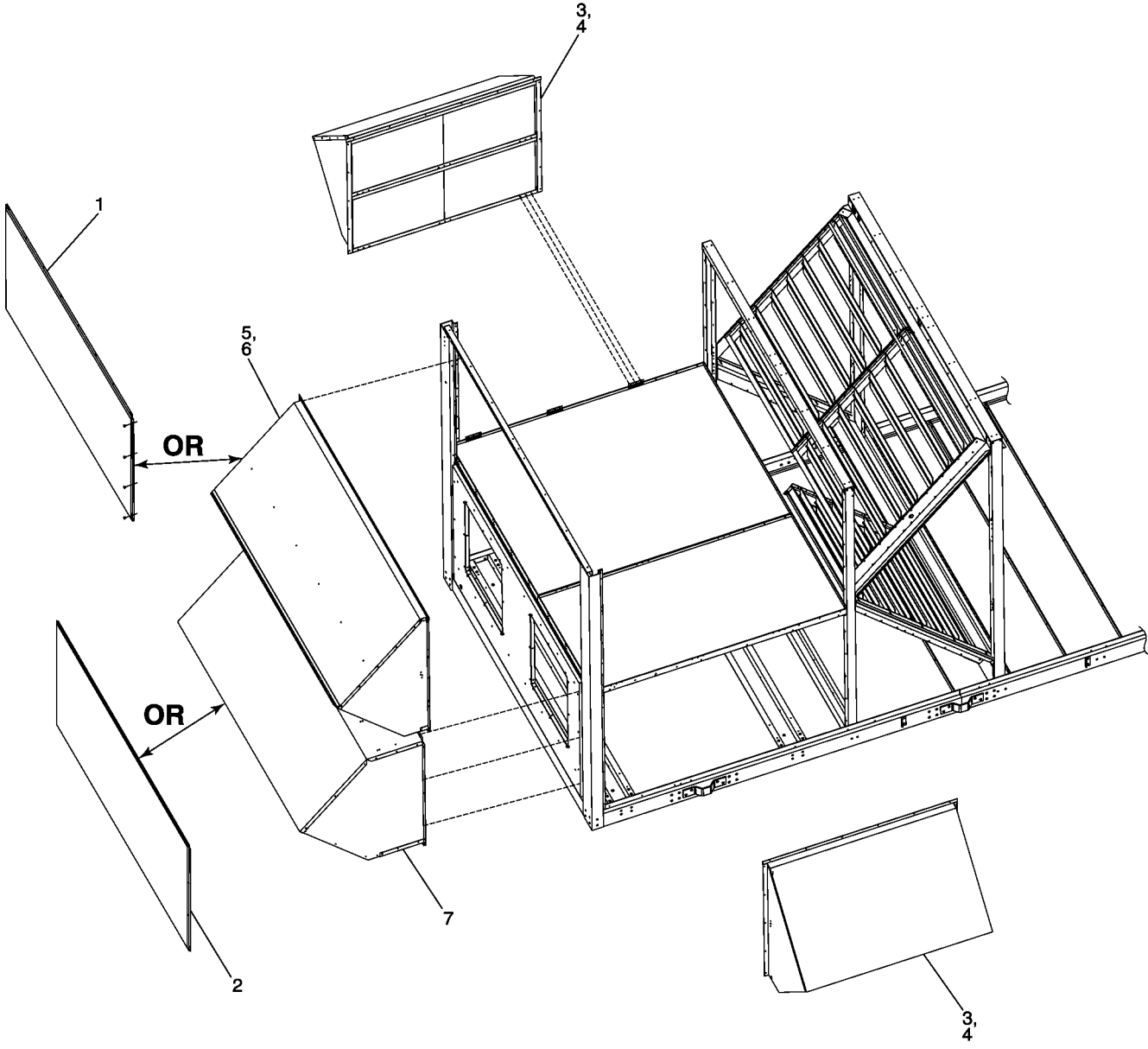


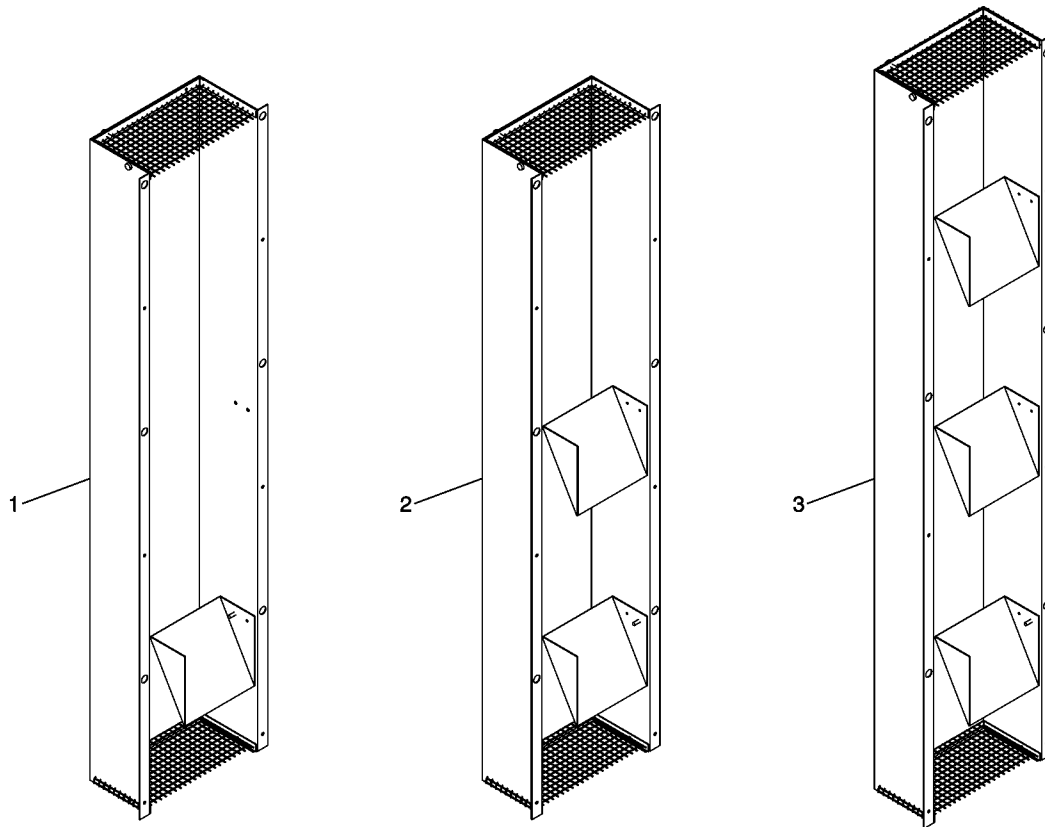
FIGURE 10 - SIDE, REAR, AND EXHAUST HOODS AND TOP AND BOTTOM PANELS (90-95 TONS)

**TABLE 5 - HOOD ASSEMBLIES AND FILTERS**

FIGURE	ITEM	UNIT SIZE	DESCRIPTION	PART NUMBER
8	5	50-65	Side Hood Assembly	385-00435-100
8	6		Cleanable Filter for Side Hood Assembly	026-36381-000
8	7		Rear Hood Assembly	385-00436-100
8	8		Cleanable Filter for Rear Hood Assembly	026-36381-000
8	9		Exhaust Hood Assembly	385-00437-100
8	10		Return Hood Assembly	385-00437-110
9	3	70-85	Side Hood Assembly	385-00435-200
9	4		Cleanable Filter for Side Hood Assembly	026-36381-000
9	5		Rear Hood Assembly	385-00436-100
9	6		Cleanable Filter for Rear Hood Assembly	026-36381-000
9	7		Exhaust Hood Assembly	385-00437-200
10	3	90-95	Side Hood Assembly	385-00435-300
10	4		Cleanable Filter for Side Hood Assembly	026-36405-000
10	5		Rear Hood Assembly	385-00436-100
10	6		Cleanable Filter for Rear Hood Assembly	026-36381-000
10	7		Exhaust Hood Assembly	385-00437-300

**TABLE 6 - CHIMNEY ASSEMBLIES**

FIGURE	ITEM	UNIT SIZE	DESCRIPTION	PART NUMBER
11	1	50-65	Gas Heat Chimney Assembly, Single	385-00438-202
11	2		Gas Heat Chimney Assembly, Double	385-00438-203
11	1	70-95	Gas Heat Chimney Assembly, Single	385-00438-213
11	2		Gas Heat Chimney Assembly, Double	385-00438-214
11	3		Gas Heat Chimney Assembly, Triple	385-00438-215

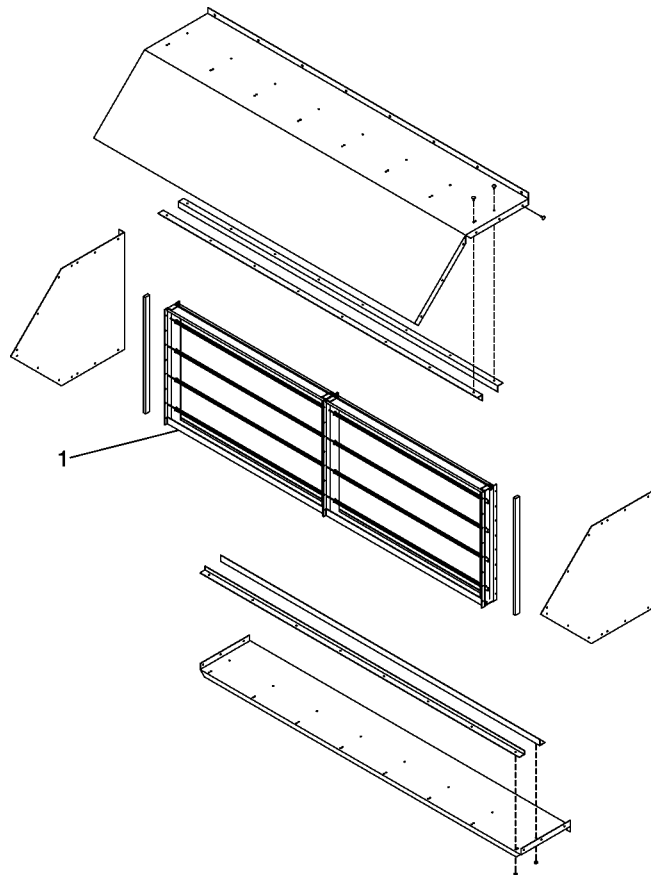


**FIGURE 11 - CHIMNEY ASSEMBLIES (50-95 TONS)**

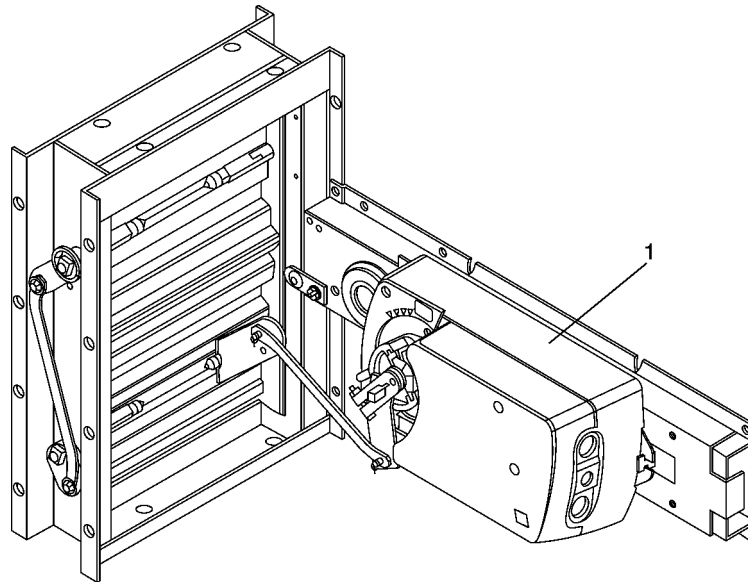
**TABLE 7 - EXHAUST DAMPERS AND ACTUATORS**

FIGURE	ITEM	UNIT SIZE	DESCRIPTION	PART NUMBER
12	1	50-65	Barometric Relief Damper	385-00552-001
12	1		Modulating Exhaust Damper	385-00548-001
12	1	70-85	Barometric Relief Damper	385-00552-002
12	1		Modulating Exhaust Damper	385-00548-002
12	1	90-95	Barometric Relief Damper	385-00552-003
12	1		Modulating Exhaust Damper	385-00548-003
*		50-95	Spring Assist Kit	026-36395-000
*			Damper Coupling Kit	026-36391-005
13	1		Actuator	025-35774-005
14			Actuator Mounting Kit	026-36386-000

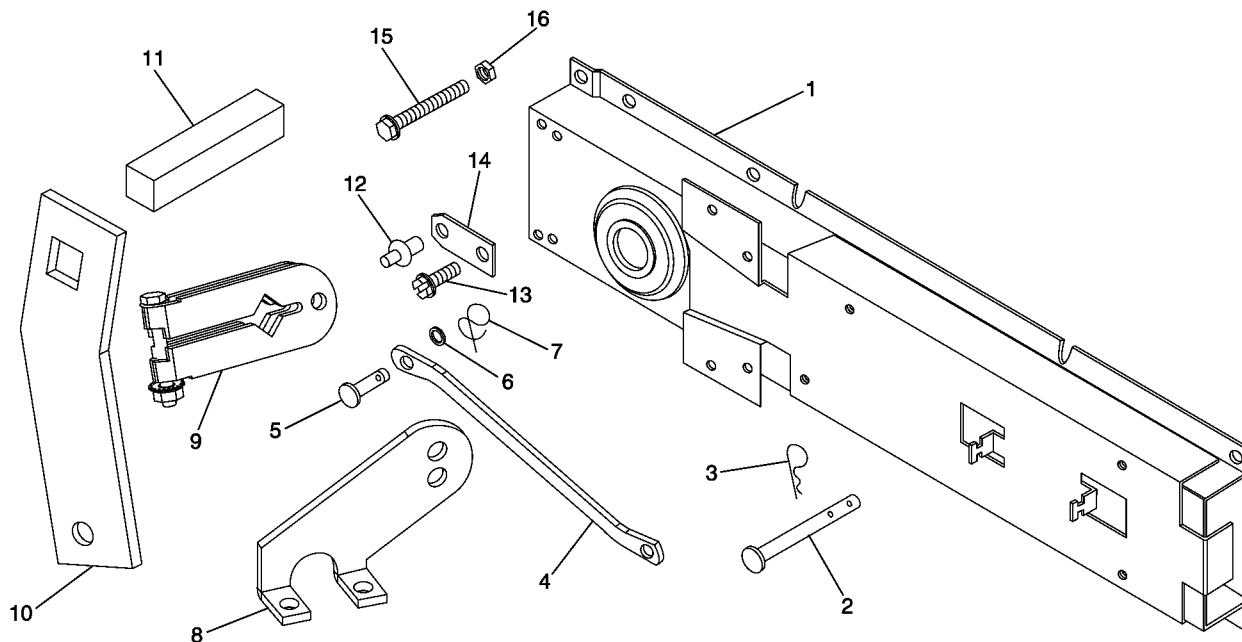
\*Item not shown.



**FIGURE 12 - EXHAUST DAMPERS**



**FIGURE 13 - DAMPER, ACTUATOR, AND ACTUATOR MOUNTING KIT (50-95 TONS)**

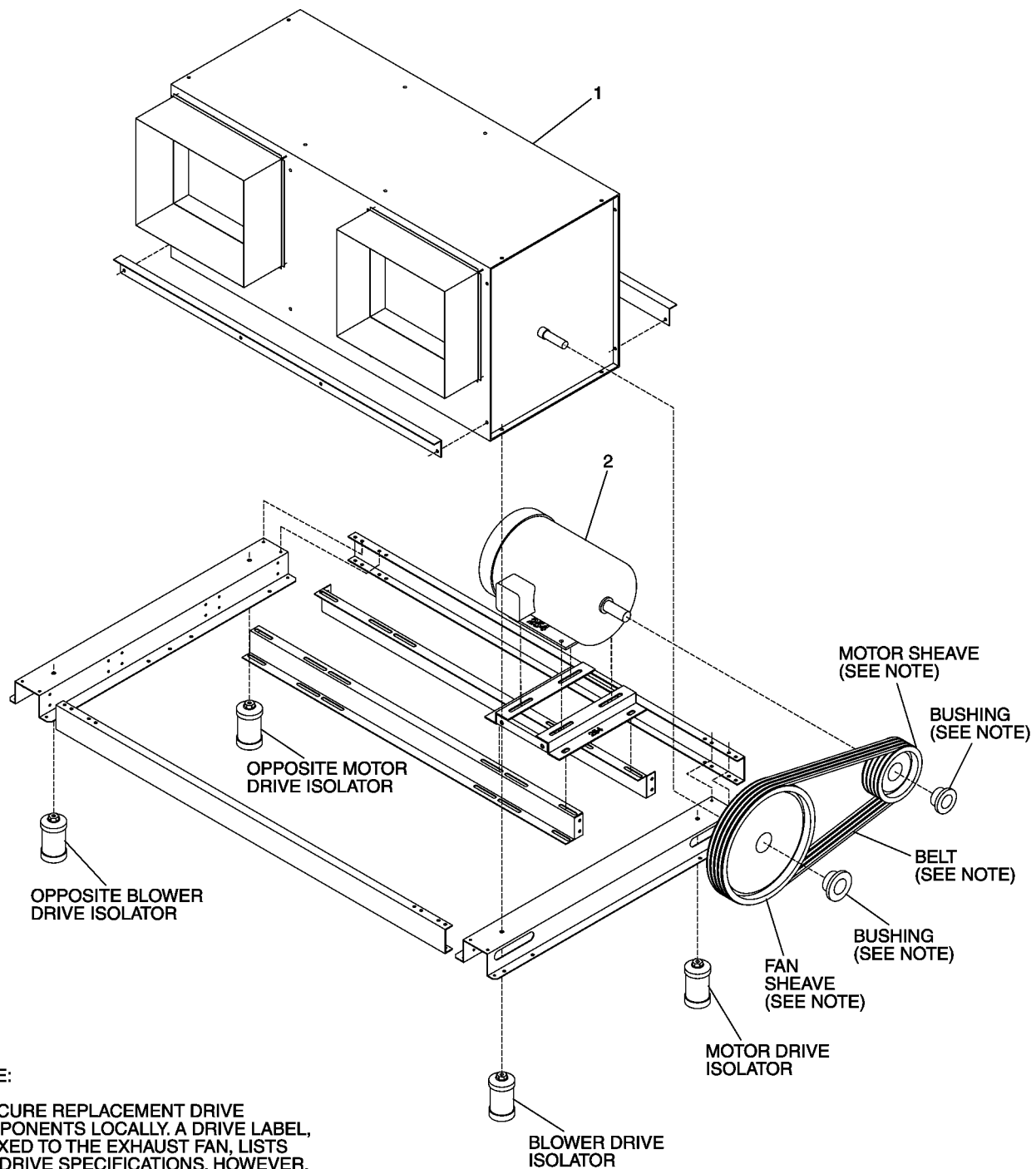


ITEM	DESCRIPTION	QTY	ITEM	DESCRIPTION	QTY
1	INSIDE FRAME MOUNTING BRACKET	1	9	CRANK ARM RETAINER	1
2	ACTUATOR CLEVIS PIN	2	10	CRANK ARM	1
3	COTTER, HAIR SPRING	2	11	3/8 INCH SQUARE SHAFT	1
4	CROSSOVER LINKAGE	1	12	1/4 INCH DIAMETER x 13/32 INCH DRIVE RIVET	1
5	LINKAGE CLEVIS PIN	2	13	NO. 12-24 x 1/2 INCH HEX HEAD, THREAD-FORMING SCREWS	5
6	WASHER	2	14	REINFORCEMENT LINK	1
7	S-CLIP	2	15	NO. 10-32 x 1.25 INCH HEX HEAD SCREW, AIRFOIL BLADE	2
8	BLADE ARM	1	16	NO. 10-32 LOCK NUT, AIRFOIL BLADE	2

**FIGURE 14 - ACTUATOR MOUNTING KIT PARTS**

**TABLE 8 - EXHAUST FANS**

FIGURE	ITEM	UNIT SIZE	RETURN AIR LOCATION	MOTOR HP	SIZE	CLASS	PART NUMBER
15	1	50-65	Bottom or Right	5, 7.5, 10	15-15	1	026-36358-000
15	1		Left	5, 7.5, 10	15-15	1	026-36435-000
15	1		Bottom or Right	5, 7.5, 10, 15, 20	18-18	1	026-36359-000
15	1		Left	5, 7.5, 10, 15, 20	18-18	1	026-36406-000
15	1	70-95	Bottom or Right	5, 7.5, 10, 15, 20	18-18	1	026-36359-000
15	1		Left	5, 7.5, 10, 15, 20	18-18	1	026-36406-000
15	1		Bottom or Right	5, 7.5, 10, 15, 20, 25, 30	20-18	1	026-36438-000
15	1		Left	5, 7.5, 10, 15, 20, 25, 30	20-18	1	026-36439-000



## NOTE:

PROCURE REPLACEMENT DRIVE COMPONENTS LOCALLY. A DRIVE LABEL, AFFIXED TO THE EXHAUST FAN, LISTS THE DRIVE SPECIFICATIONS. HOWEVER, DUE TO POSSIBLE CHANGES IN THE FIELD, REPLACEMENT PARTS MUST BE VERIFIED AGAINST INSTALLED PARTS SINCE THE INSTALLED PARTS MAY NOT MATCH THE LABEL.

**FIGURE 15 - EXHAUST FANS, MOTORS, ISOLATORS, AND DRIVE COMPONENTS (50-95 TONS)**

**TABLE 9 - EXHAUST FAN MOTORS, ODP, 3 PHASE, 60 HERTZ**

FIGURE	ITEM	UNIT SIZE	MOTOR HP	VOLTAGE	STANDARD EFFICIENCY PART NUMBER	HIGH EFFICIENCY PART NUMBER
15	2	50-95	5	200	024-23936-000	024-27056-000
15	2			230	024-23929-000	024-27057-000
15	2			380	024-26234-000	NA
15	2			460	024-23929-000	024-27057-000
15	2			575	024-27009-000	024-27371-000
15	2		7.5	200	024-23937-000	024-27058-000
15	2			230	024-23930-000	024-27059-000
15	2			380	024-26235-000	NA
15	2			460	024-23930-000	024-27059-000
15	2			575	024-27010-000	024-27372-000
15	2		10	200	024-23938-000	024-27060-000
15	2			230	024-23931-000	024-27062-000
15	2			380	024-26236-000	NA
15	2			460	024-23931-000	024-27062-000
15	2			575	024-27011-000	024-27373-000
15	2		15	200	024-23939-000	024-27063-000
15	2			230	024-23932-000	024-27064-000
15	2			380	024-26237-000	NA
15	2			460	024-23932-000	024-27064-000
15	2			575	024-27012-000	024-27374-000
15	2		20	200	024-23940-000	024-27065-000
15	2			230	024-23933-000	024-27066-000
15	2			380	024-26238-000	NA
15	2			460	024-23933-000	024-27066-000
15	2	575		024-27013-000	024-27375-000	
15	2	70-95	25	200	024-23941-000	024-27067-000
15	2			230	024-23934-000	024-27068-000
15	2			380	024-26239-000	NA
15	2			460	024-23934-000	024-27068-000
15	2			575	024-27014-000	024-27376-000
15	2		30	200	024-26265-000	024-27069-000
15	2			230	024-23191-000	024-27070-000
15	2			380	024-26240-000	NA
15	2			460	024-23191-000	024-27070-000
15	2			575	024-27015-000	024-27377-000

**TABLE 10 - EXHAUST FAN MOTORS, TEFC, 3 PHASE, 60 HERTZ**

FIGURE	ITEM	UNIT SIZE	MOTOR HP	VOLTAGE	STANDARD EFFICIENCY PART NUMBER	HIGH EFFICIENCY PART NUMBER
15	2	50-95	5	200	024-23922-000	024-27083-000
15	2			230	024-23915-000	024-27084-000
15	2			380	024-26249-000	NA
15	2			460	024-23915-000	024-27084-000
15	2			575	024-27041-000	024-27343-000
15	2		7.5	200	024-23923-000	024-27085-000
15	2			230	024-23916-000	024-27086-000
15	2			380	024-26250-000	NA
15	2			460	024-23916-000	024-27086-000
15	2			575	024-27042-000	024-27345-000
15	2		10	200	024-23924-000	024-27087-000
15	2			230	024-23917-000	024-27088-000
15	2			380	024-26251-000	NA
15	2			460	024-23917-000	024-27088-000
15	2			575	024-27043-000	024-27347-000
15	2		15	200	024-23925-000	024-27089-000
15	2			230	024-23918-000	024-27090-000
15	2			380	024-26252-000	NA
15	2			460	024-23918-000	024-27090-000
15	2			575	024-27314-000	024-27349-000
15	2	20	200	024-27336-000	024-27097-000	
15	2		230	024-23919-000	024-27098-000	
15	2		380	024-26253-000	NA	
15	2		460	024-23919-000	024-27098-000	
15	2		575	024-27029-000	024-27351-000	
15	2	70-95	25	200	024-27338-000	024-27099-000
15	2			230	024-23920-000	024-27300-000
15	2			380	024-26254-000	NA
15	2			460	024-23920-000	024-27300-000
15	2			575	024-27030-000	024-27353-000
15	2		30	200	024-26271-000	024-30744-000
15	2			230	024-26282-000	024-27301-000
15	2			380	024-26255-000	NA
15	2			460	024-26282-000	024-27301-000
15	2			575	024-27031-000	024-27355-000

**TABLE 11 - EXHAUST FAN MOTORS, ODP AND TEFC, 3 PHASE, 50 HERTZ**

FIGURE	ITEM	UNIT SIZE	MOTOR HP	VOLTAGE	ODP STANDARD EFFICIENCY PART NUMBER	TEFC STANDARD EFFICIENCY PART NUMBER
15	2	50-95	5	400	024-27323-000	024-27331-000
15	2		7.5	400	024-27324-000	024-27332-000
15	2		10	400	024-27325-000	024-27334-000
15	2		15	400	024-27326-000	024-27335-000
15	2		20	400	024-27327-000	024-27337-000
15	2	70-95	25	400	024-27379-000	024-27339-000
15	2		30	400	024-27381-000	024-27340-000

**TABLE 12 - EXHAUST FAN ONE INCH SPRING ISOLATORS**

FIGURE	UNIT SIZE	FAN SIZE	MOTOR HP	BLOWER DRIVE	OPPOSITE BLOWER DRIVE	MOTOR DRIVE	OPPOSITE MOTOR DRIVE
15	50-65	15-15	5	029-21363-002	029-21363-001	029-21363-002	029-21363-001
15			7.5	029-21363-002	029-21363-001	029-21363-003	029-21363-001
15			10	029-21363-002	029-21363-001	029-21363-004	029-21363-002
15		18-18	5	029-21363-002	029-21363-001	029-21363-002	029-21363-001
15			7.5	029-21363-002	029-21363-001	029-21363-003	029-21363-002
15			10	029-21363-002	029-21363-001	029-21363-004	029-21363-002
15			15	029-21363-002	029-21363-001	029-21363-005	029-21363-002
15			20	029-21363-003	029-21363-001	029-21363-006	029-21363-002
15	70-95	18-18	5	029-21363-002	029-21363-001	029-21363-002	029-21363-002
15			7.5	029-21363-002	029-21363-001	029-21363-003	029-21363-002
15			10	029-21363-002	029-21363-001	029-21363-004	029-21363-002
15			15	029-21363-003	029-21363-001	029-21363-005	029-21363-002
15			20	029-21363-003	029-21363-001	029-21363-006	029-21363-003
15		20-18	5	029-21363-002	029-21363-002	029-21363-003	029-21363-002
15			7.5	029-21363-003	029-21363-002	029-21363-004	029-21363-002
15			10	029-21363-003	029-21363-002	029-21363-004	029-21363-002
15			15	029-21363-004	029-21363-002	029-21363-005	029-21363-003
15			20	029-21363-004	029-21363-002	029-21363-006	029-21363-003
15			25	029-21363-004	029-21363-002	029-21363-006	029-21363-004
15			30	029-21363-004	029-21363-002	029-21363-006	029-21363-004

**TABLE 13 - EXHAUST FAN TWO INCH SPRING ISOLATORS**

FIGURE	UNIT SIZE	FAN SIZE	MOTOR HP	BLOWER DRIVE	OPPOSITE BLOWER DRIVE	MOTOR DRIVE	OPPOSITE MOTOR DRIVE
15	50-65	15-15	5	029-21330-602	029-21330-601	029-21330-603	029-21330-601
15			7.5	029-21330-602	029-21330-601	029-21330-603	029-21330-601
15			10	029-21330-602	029-21330-601	029-21330-604	029-21330-602
15		18-18	5	029-21330-602	029-21330-601	029-21330-603	029-21330-601
15			7.5	029-21330-602	029-21330-601	029-21330-603	029-21330-602
15			10	029-21330-602	029-21330-601	029-21330-604	029-21330-602
15			15	029-21330-603	029-21330-601	029-21330-606	029-21330-603
15			20	029-21330-603	029-21330-601	029-21330-606	029-21330-603
15	70-95	18-18	5	029-21330-602	029-21330-601	029-21330-603	029-21330-602
15			7.5	029-21330-602	029-21330-601	029-21330-604	029-21330-602
15			10	029-21330-603	029-21330-601	029-21330-604	029-21330-602
15			15	029-21330-603	029-21330-601	029-21330-606	029-21330-603
15			20	029-21330-603	029-21330-601	029-21330-606	029-21330-603
15		20-18	5	029-21330-603	029-21330-602	029-21330-603	029-21330-602
15			7.5	029-21330-603	029-21330-602	029-21330-604	029-21330-602
15			10	029-21330-603	029-21330-602	029-21330-604	029-21330-603
15			15	029-21330-604	029-21330-602	029-21330-606	029-21330-603
15			20	029-21330-604	029-21330-602	029-21330-606	029-21330-604
15			25	029-21330-604	029-21330-602	029-21330-606	029-21330-604
15			30	029-21330-604	029-21330-602	029-21330-606	029-21330-604

**TABLE 14 - EXHAUST FAN ONE-HALF INCH NEOPRENE ISOLATORS**

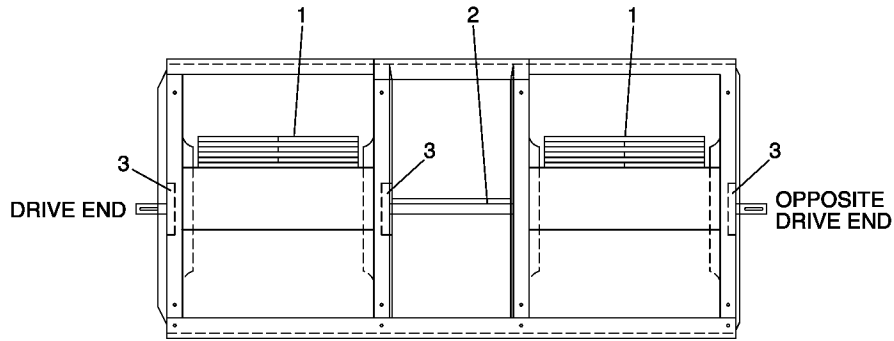
FIGURE	UNIT SIZE	FAN SIZE	MOTOR HP	BLOWER DRIVE	OPPOSITE BLOWER DRIVE	MOTOR DRIVE	OPPOSITE MOTOR DRIVE
15	50-65	15-15	5	028-11957-002	028-11957-002	028-11957-003	028-11957-002
15			7.5	028-11957-002	028-11957-002	028-11957-004	028-11957-002
15			10	028-11957-002	028-11957-002	028-11957-004	028-11957-002
15		18-18	5	028-11957-002	028-11957-002	028-11957-003	028-11957-002
15			7.5	028-11957-002	028-11957-002	028-11957-004	028-11957-002
15			10	028-11957-003	028-11957-002	028-11957-004	028-11957-002
15			15	028-11957-003	028-11957-002	028-11957-005	028-11957-003
15			20	028-11957-003	028-11957-002	028-11957-005	028-11957-003
15	70-95	18-18	5	028-11957-002	028-11957-002	028-11957-003	028-11957-002
15			7.5	028-11957-003	028-11957-002	028-11957-004	028-11957-002
15			10	028-11957-003	028-11957-002	028-11957-004	028-11957-002
15			15	028-11957-003	028-11957-002	028-11957-005	028-11957-003
15			20	028-11957-004	028-11957-002	028-11957-005	028-11957-003
15		20-18	5	028-11957-003	028-11957-002	028-11957-003	028-11957-002
15			7.5	028-11957-003	028-11957-002	028-11957-004	028-11957-002
15			10	028-11957-004	028-11957-002	028-11957-004	028-11957-003
15			15	028-11957-004	028-11957-002	028-11957-005	028-11957-004
15			20	028-11957-004	028-11957-002	028-11957-005	028-11957-004
15			25	028-11957-004	028-11957-002	028-11957-006	028-11957-004
15			30	028-11957-004	028-11957-002	028-11957-006	028-11957-004

**TABLE 15 - ISOLATOR PART NUMBER IDENTIFICATION BY COLOR**

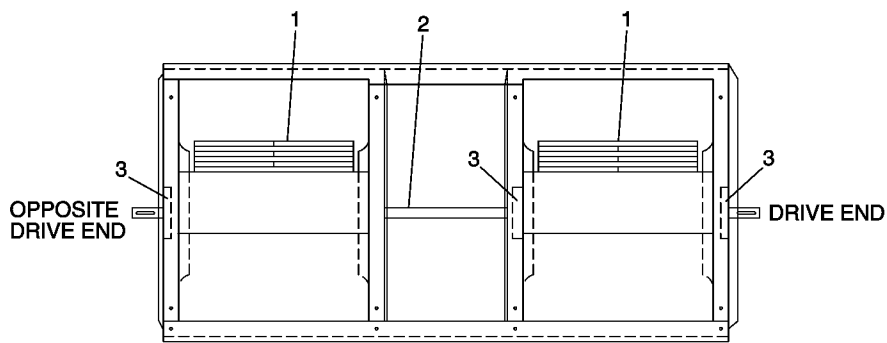
ONE INCH SPRING ISOLATORS		TWO INCH SPRING ISOLATORS	
COLOR	PART NUMBER	COLOR	PART NUMBER
Blue	029-21363-001	Blue	029-21330-601
Blue/Pink	029-21363-002	Yellow	029-21330-602
Blue/Black	029-21363-003	Black	029-21330-603
Blue/Blue	029-21363-004	Purple	029-21330-604
Black	029-21363-005	Red	029-21330-606
Black/Yellow	029-21363-006	Red/Black	029-21330-607
Red/Brown	029-21363-008	Red/Green	029-21330-608

**TABLE 16 - EXHAUST FAN REPLACEMENT PARTS**

FIGURE	ITEM	EXHAUST FAN PART NUMBER	PART DESCRIPTION	QUANTITY	PART NUMBER
16	1	026-36358-000	Wheel	2	026-38829-000
16	2		Shaft	1	029-22049-000
16	3		Bearing	3	029-22057-000
16	1	026-36435-000	Wheel	2	026-38829-000
16	2		Shaft	1	029-22049-000
16	3		Bearing	3	029-22057-000
16	1	026-36359-000	Wheel	2	026-38831-000
16	2		Shaft	1	029-22051-000
16	3		Bearing	3	029-22059-000
16	1	026-36406-000	Wheel	2	026-38831-000
16	2		Shaft	1	029-22051-000
16	3		Bearing	3	029-22059-000
16	1	026-36438-000	Wheel	2	026-33836-000
16	2		Shaft	1	029-22063-000
16	3		Bearing	3	029-22060-000
16	1	026-36439-000	Wheel	2	026-33836-000
16	2		Shaft	1	029-22063-000
16	3		Bearing	3	029-22060-000



026-36358-000  
 026-36359-000  
026-36438-000

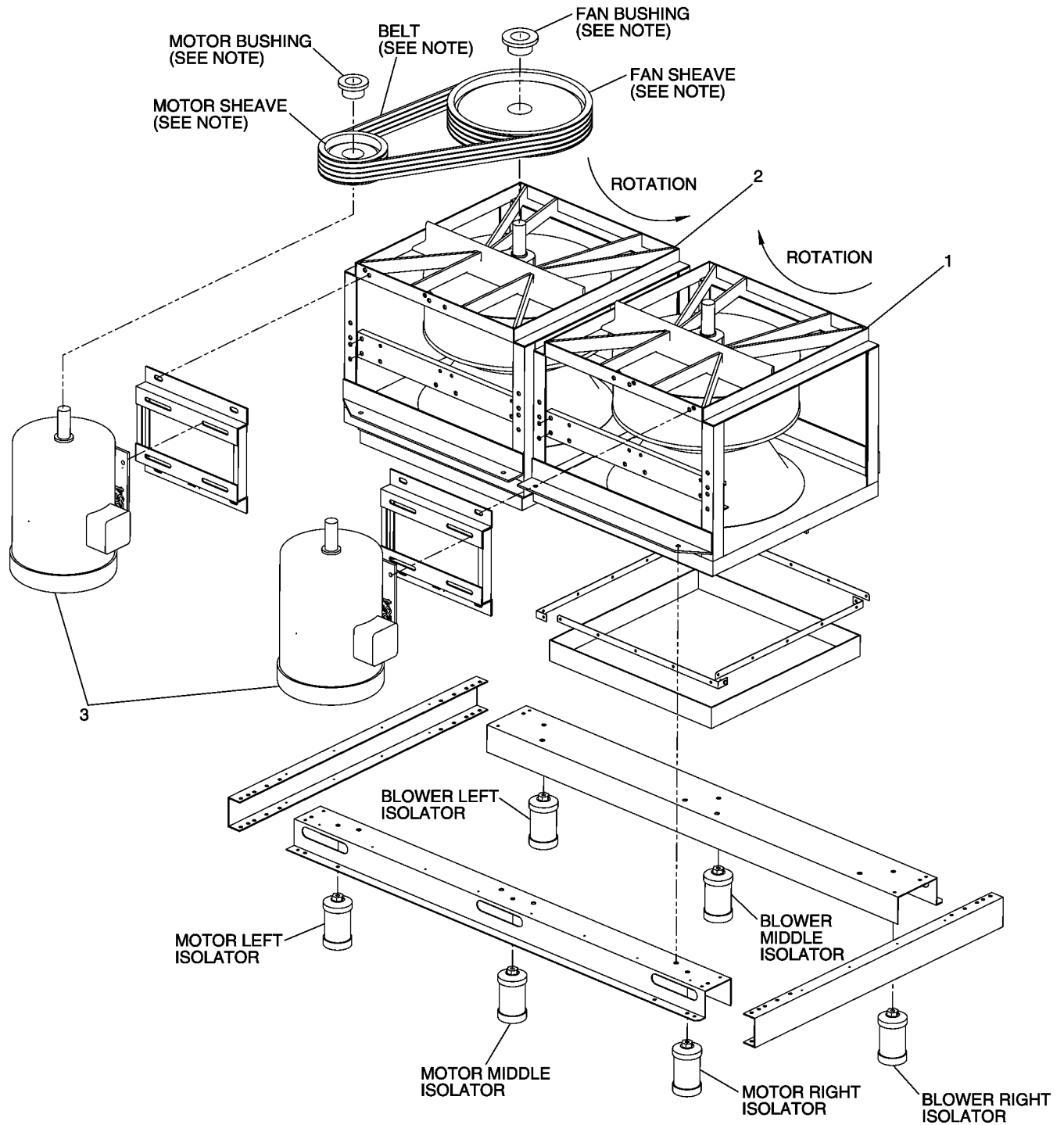


026-36406-000  
 026-36435-000  
026-36439-000

**FIGURE 16 - EXHAUST FAN REPLACEMENT PARTS**

**TABLE 17 - RETURN FANS**

FIGURE	ITEM	UNIT SIZE	ROTATION	PART NUMBER
17	1	50-65	Clockwise	026-40562-000
17	2		Counterclockwise	026-40562-001
17	1	70-95	Clockwise	026-40563-000
17	2		Counterclockwise	026-40563-001



NOTE: PROCURE REPLACEMENT DRIVE COMPONENTS LOCALLY. A DRIVE LABEL, AFFIXED TO THE RETURN FAN, LISTS THE DRIVE SPECIFICATIONS. HOWEVER, DUE TO POSSIBLE CHANGES IN THE FIELD, REPLACEMENT PARTS MUST BE VERIFIED AGAINST INSTALLED PARTS SINCE THE INSTALLED PARTS MAY NOT MATCH THE LABEL.

**FIGURE 17 - RETURN FANS, MOTORS, ISOLATORS, AND DRIVE COMPONENTS (50-95 TONS)**

**TABLE 18 - RETURN FAN MOTORS, ODP, 3 PHASE, 60 HERTZ**

FIGURE	ITEM	UNIT SIZE	MOTOR HP	VOLTAGE	STANDARD EFFICIENCY PART NUMBER	HIGH EFFICIENCY PART NUMBER
17	3	50-95	5	200	024-23936-000	024-27056-000
17	3			230	024-23929-000	024-27057-000
17	3			380	024-26234-000	NA
17	3			460	024-23929-000	024-27057-000
17	3			575	024-27009-000	024-27371-000
17	3		7.5	200	024-23937-000	024-27058-000
17	3			230	024-23930-000	024-27059-000
17	3			380	024-26235-000	NA
17	3			460	024-23930-000	024-27059-000
17	3			575	024-27010-000	024-27372-000
17	3		10	200	024-23938-000	024-27060-000
17	3			230	024-23931-000	024-27062-000
17	3			380	024-26236-000	NA
17	3			460	024-23931-000	024-27062-000
17	3			575	024-27011-000	024-27373-000
17	3		15	200	024-23939-000	024-27063-000
17	3			230	024-23932-000	024-27064-000
17	3			380	024-26237-000	NA
17	3			460	024-23932-000	024-27064-000
17	3			575	024-27012-000	024-27374-000
17	3	90-95	20	200	024-23940-000	024-27065-000
17	3			230	024-23933-000	024-27066-000
17	3			380	024-26238-000	NA
17	3			460	024-23933-000	024-27066-000
17	3			575	024-27013-000	024-27375-000

**TABLE 19 - RETURN FAN MOTORS, TEFC, 3 PHASE, 60 HERTZ**

FIGURE	ITEM	UNIT SIZE	MOTOR HP	VOLTAGE	STANDARD EFFICIENCY PART NUMBER	HIGH EFFICIENCY PART NUMBER	
17	3	50-95	5	200	024-23922-000	024-27083-000	
17	3			230	024-23915-000	024-27084-000	
17	3			380	024-26249-000	NA	
17	3			460	024-23915-000	024-27084-000	
17	3			575	024-27041-000	024-27343-000	
17	3		7.5	7.5	200	024-23923-000	024-27085-000
17	3				230	024-23916-000	024-27086-000
17	3				380	024-26250-000	NA
17	3				460	024-23916-000	024-27086-000
17	3				575	024-27042-000	024-27345-000
17	3		10	10	200	024-23924-000	024-27087-000
17	3				230	024-23917-000	024-27088-000
17	3				380	024-26251-000	NA
17	3				460	024-23917-000	024-27088-000
17	3				575	024-27043-000	024-27347-000
17	3		15	15	200	024-23925-000	024-27089-000
17	3				230	024-23918-000	024-27090-000
17	3				380	024-26252-000	NA
17	3				460	024-23918-000	024-27090-000
17	3				575	024-27314-000	024-27349-000
17	3	90-95	20	200	024-27336-000	024-27097-000	
17	3			230	024-23919-000	024-27098-000	
17	3			380	024-26253-000	NA	
17	3			460	024-23919-000	024-27098-000	
17	3			575	024-27029-000	024-27351-000	

**TABLE 20 - RETURN FAN MOTORS, ODP AND TEFC, 3 PHASE, 50 HERTZ**

FIGURE	ITEM	UNIT SIZE	MOTOR HP	VOLTAGE	ODP STANDARD EFFICIENCY PART NUMBER	TEFC STANDARD EFFICIENCY PART NUMBER
17	3	50-95	5	400	024-27323-000	024-27331-000
17	3		7.5	400	024-27324-000	024-27332-000
17	3		10	400	024-27325-000	024-27334-000
17	3		15	400	024-27326-000	024-27335-000
17	3	90-95	20	400	024-27327-000	024-27337-000

**TABLE 21 - RETURN FAN ONE INCH SPRING ISOLATORS**

FIGURE	UNIT SIZE	MOTOR HP	BLOWER LEFT	BLOWER MIDDLE	BLOWER RIGHT	MOTOR LEFT	MOTOR MIDDLE	MOTOR RIGHT
17	50-65	5	029-21363-002	029-21363-002	029-21363-002	029-21363-003	029-21363-002	029-21363-003
17		7.5	029-21363-002	029-21363-002	029-21363-002	029-21363-004	029-21363-002	029-21363-004
17		10	029-21363-002	029-21363-002	029-21363-002	029-21363-004	029-21363-003	029-21363-004
17		15	029-21363-002	029-21363-002	029-21363-002	029-21363-005	029-21363-005	029-21363-005
17	70-85	5	029-21363-004	029-21363-002	029-21363-004	029-21363-003	029-21363-002	029-21363-003
17		7.5	029-21363-003	029-21363-002	029-21363-003	029-21363-004	029-21363-002	029-21363-004
17		10	029-21363-003	029-21363-002	029-21363-003	029-21363-004	029-21363-003	029-21363-004
17		15	029-21363-003	029-21363-003	029-21363-003	029-21363-005	029-21363-005	029-21363-005
17	90-95	5	029-21363-004	029-21363-002	029-21363-004	029-21363-003	029-21363-002	029-21363-003
17		7.5	029-21363-003	029-21363-002	029-21363-003	029-21363-004	029-21363-003	029-21363-004
17		10	029-21363-003	029-21363-002	029-21363-003	029-21363-005	029-21363-004	029-21363-005
17		15	029-21363-003	029-21363-003	029-21363-003	029-21363-006	029-21363-005	029-21363-006
17		20	029-21363-003	029-21363-003	029-21363-003	029-21363-006	029-21363-006	029-21363-006

**TABLE 22 - RETURN FAN TWO INCH SPRING ISOLATORS**

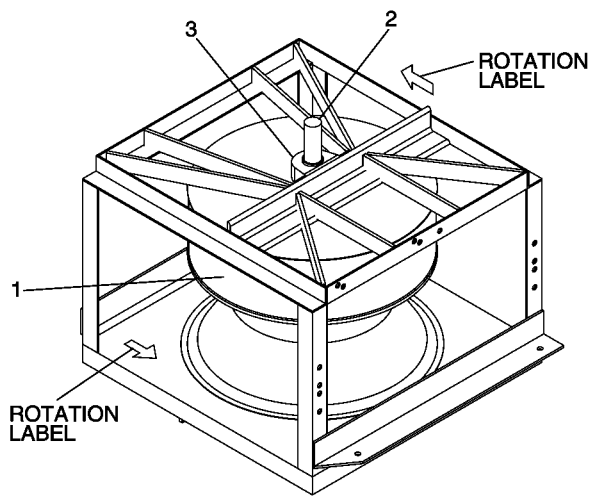
FIGURE	UNIT SIZE	MOTOR HP	BLOWER LEFT	BLOWER MIDDLE	BLOWER RIGHT	MOTOR LEFT	MOTOR MIDDLE	MOTOR RIGHT
17	50-65	5	029-21330-603	029-21330-602	029-21330-603	029-21330-603	029-21330-602	029-21330-603
17		7.5	029-21330-603	029-21330-602	029-21330-603	029-21330-604	029-21330-603	029-21330-604
17		10	029-21330-603	029-21330-602	029-21330-603	029-21330-604	029-21330-604	029-21330-604
17		15	029-21330-603	029-21330-603	029-21330-603	029-21330-606	029-21330-606	029-21330-606
17	70-85	5	029-21330-604	029-21330-602	029-21330-604	029-21330-604	029-21330-602	029-21330-604
17		7.5	029-21330-604	029-21330-602	029-21330-604	029-21330-604	029-21330-603	029-21330-604
17		10	029-21330-604	029-21330-603	029-21330-604	029-21330-604	029-21330-604	029-21330-604
17		15	029-21330-603	029-21330-603	029-21330-603	029-21330-606	029-21330-606	029-21330-606
17	90-95	5	029-21330-604	029-21330-602	029-21330-604	029-21330-604	029-21330-602	029-21330-604
17		7.5	029-21330-604	029-21330-602	029-21330-604	029-21330-604	029-21330-603	029-21330-604
17		10	029-21330-604	029-21330-603	029-21330-604	029-21330-606	029-21330-604	029-21330-606
17		15	029-21330-603	029-21330-603	029-21330-603	029-21330-606	029-21330-606	029-21330-606
17		20	029-21330-603	029-21330-603	029-21330-603	029-21330-606	029-21330-606	029-21330-606

**TABLE 23 - ISOLATOR PART NUMBER IDENTIFICATION BY COLOR**

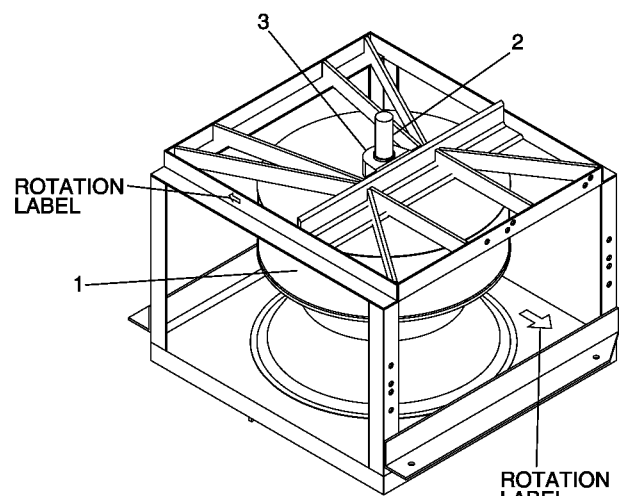
ONE INCH SPRING ISOLATORS		TWO INCH SPRING ISOLATORS	
COLOR	PART NUMBER	COLOR	PART NUMBER
Blue	029-21363-001	Blue	029-21330-601
Blue/Pink	029-21363-002	Yellow	029-21330-602
Blue/Black	029-21363-003	Black	029-21330-603
Blue/Blue	029-21363-004	Purple	029-21330-604
Black	029-21363-005	Red	029-21330-606
Black/Yellow	029-21363-006	Red/Black	029-21330-607
Red/Brown	029-21363-008	Red/Green	029-21330-608

**TABLE 24 - RETURN FAN REPLACEMENT PARTS**

FIGURE	ITEM	RETURN FAN PART NUMBER	PART DESCRIPTION	QUANTITY	PART NUMBER
18	1	026-40562-000	Wheel	1	026-40658-000
18	2		Shaft	1	029-22073-000
18	3		Bearing	2	029-22072-000
18	1	026-40562-001	Wheel	1	026-40659-000
18	2		Shaft	1	029-22073-000
18	3		Bearing	2	029-22072-000
18	1	026-40563-000	Wheel	1	026-40656-000
18	2		Shaft	1	029-22071-000
18	3		Bearing	2	029-22072-000
18	1	026-40563-001	Wheel	1	026-40657-000
18	2		Shaft	1	029-22071-000
18	3		Bearing	2	029-22072-000



026-40562-001  
026-40563-001



026-40562-000  
026-40563-000

**FIGURE 18 - RETURN FAN REPLACEMENT PARTS**

**TABLE 25 - ECONOMIZER DAMPERS AND ACTUATORS**

FIGURE	ITEM	UNIT SIZE	DESCRIPTION	PART NUMBER
19	1	50-65	Control Damper, End Section, 42" x 30"	026-36370-001
19	2		Control Damper, End Section, 31" x 30"	026-36371-001
19	3		Control Damper, Mid Section, 22" x 30"	026-36390-001
20	1	70-85	Control Damper, End Section, 42" x 40"	026-36370-002
20	2		Control Damper, End Section, 31" x 40"	026-36371-002
20	3		Control Damper, Mid Section, 22" x 40"	026-36390-002
21	1	90-95	Control Damper, End Section, 42" x 44"	026-36370-003
21	2		Control Damper, End Section, 31" x 44"	026-36371-003
21	3		Control Damper, Mid Section, 22" x 44"	026-36390-003
*		50-95	Damper Coupling Kit <sup>1</sup>	026-36391-005
22			Manual Locking Quadrant Kit <sup>2</sup>	026-36427-000
*			Blade Pin Extension <sup>3</sup>	026-36428-000
13	1		Actuator	025-35774-005
14			Actuator Mounting Kit	026-36386-000
23			Blade to Blade Linkage Kit <sup>4</sup>	026-36387-000
24			Jackshaft Kit <sup>5</sup>	026-36388-000

\*Item not shown.

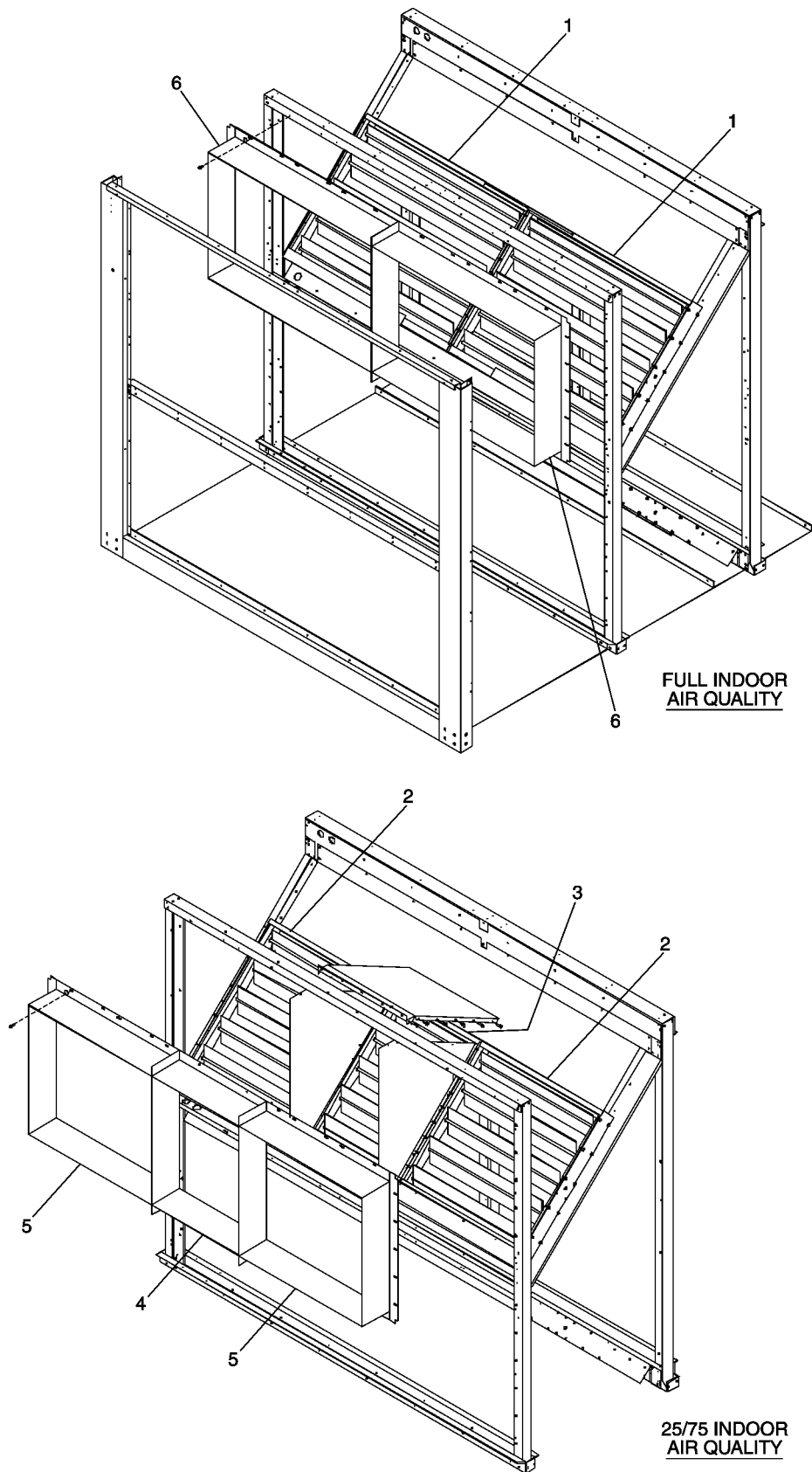
<sup>1</sup>Damper coupling kit is required whenever replacement dampers are ordered.

<sup>2</sup>Manual locking quadrant kit is required only on units with manually-controlled dampers.

<sup>3</sup>Blade pin extension is required only on units with manually-controlled dampers.

<sup>4</sup>Blade to blade linkage kit is required to connect outside air damper to return air damper.

<sup>5</sup>Jackshaft kit is required only on units with minimum indoor air quality or 25/75 indoor air quality options.



**FIGURE 19 - ECONOMIZER DAMPERS AND AIR MEASUREMENT STATIONS (50-65 TONS)**

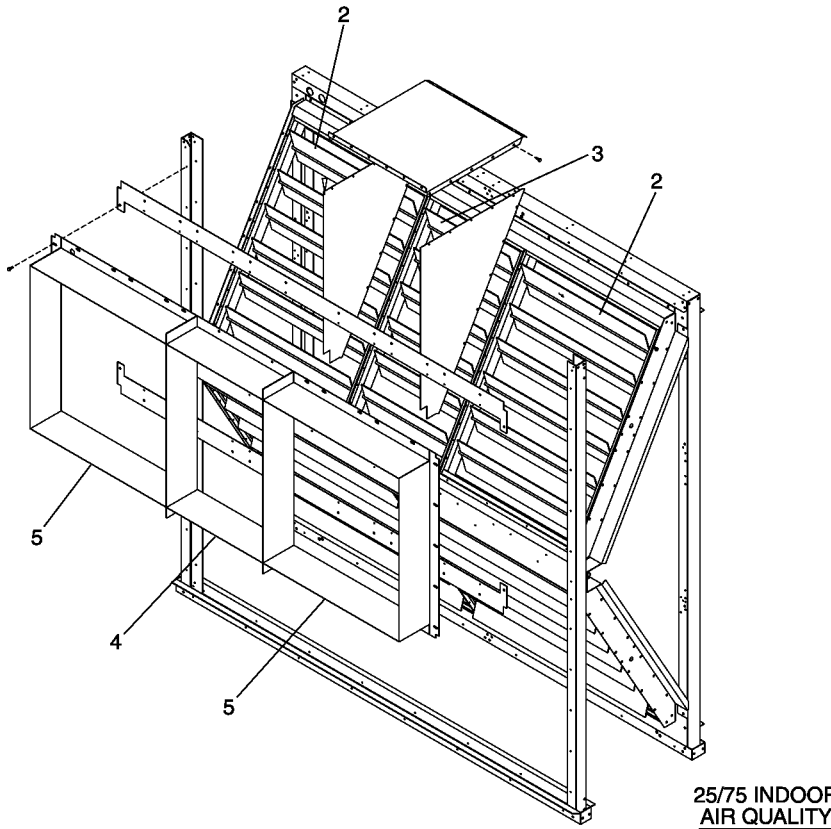
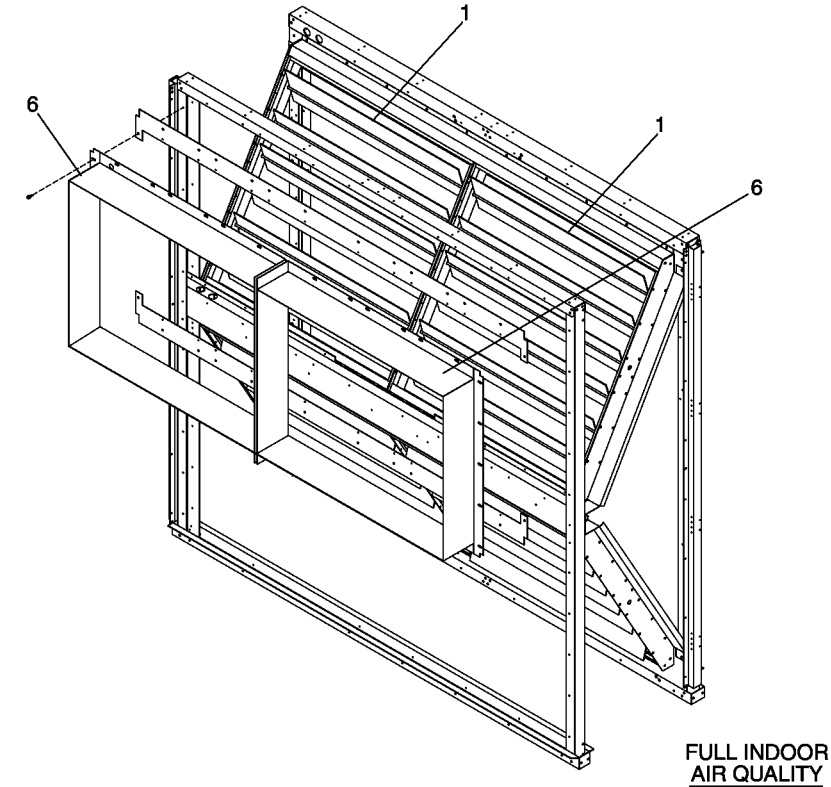
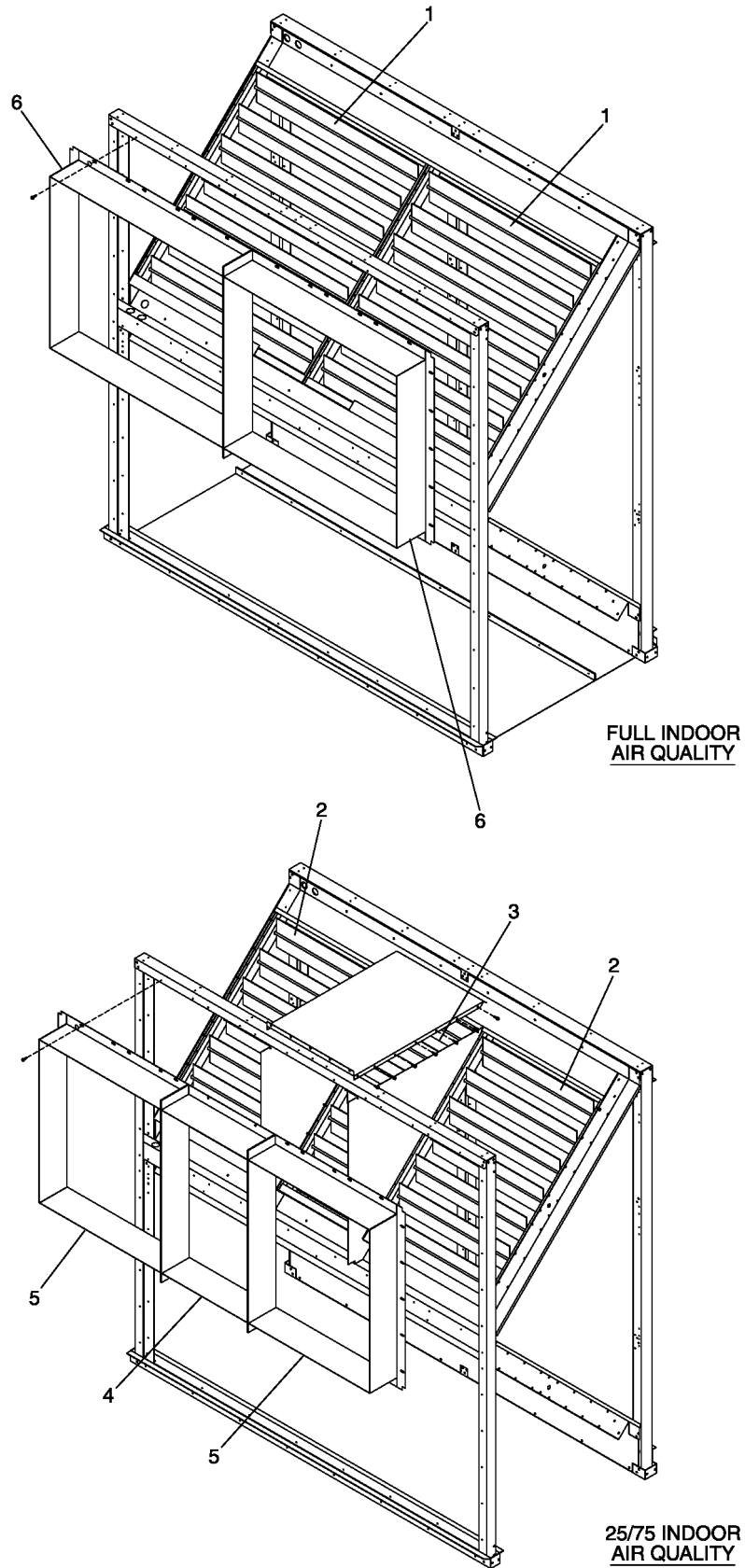
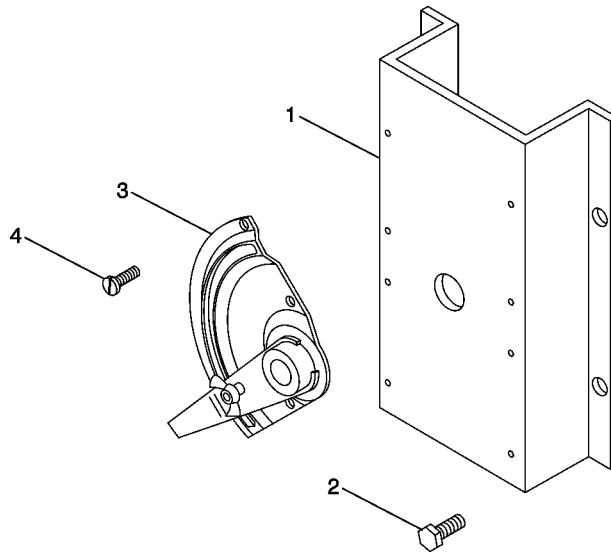


FIGURE 20 - ECONOMIZER DAMPERS AND AIR MEASUREMENT STATIONS (70-85 TONS)

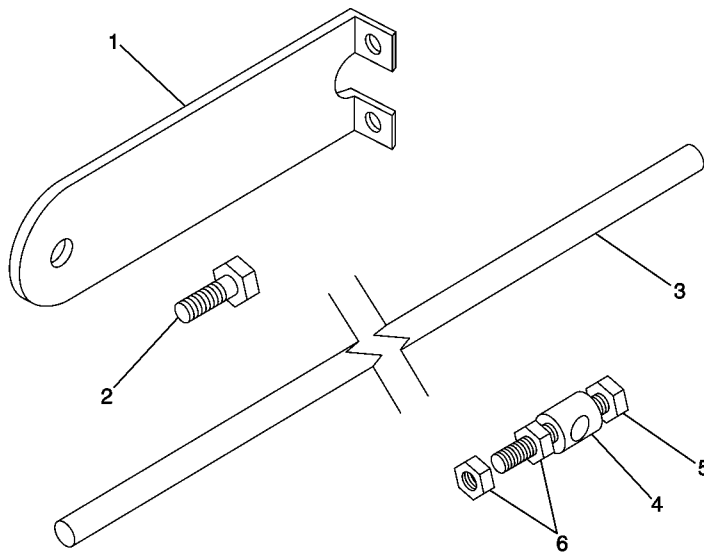


**FIGURE 21 - ECONOMIZER DAMPERS AND AIR MEASUREMENT STATIONS (90-95 TONS)**



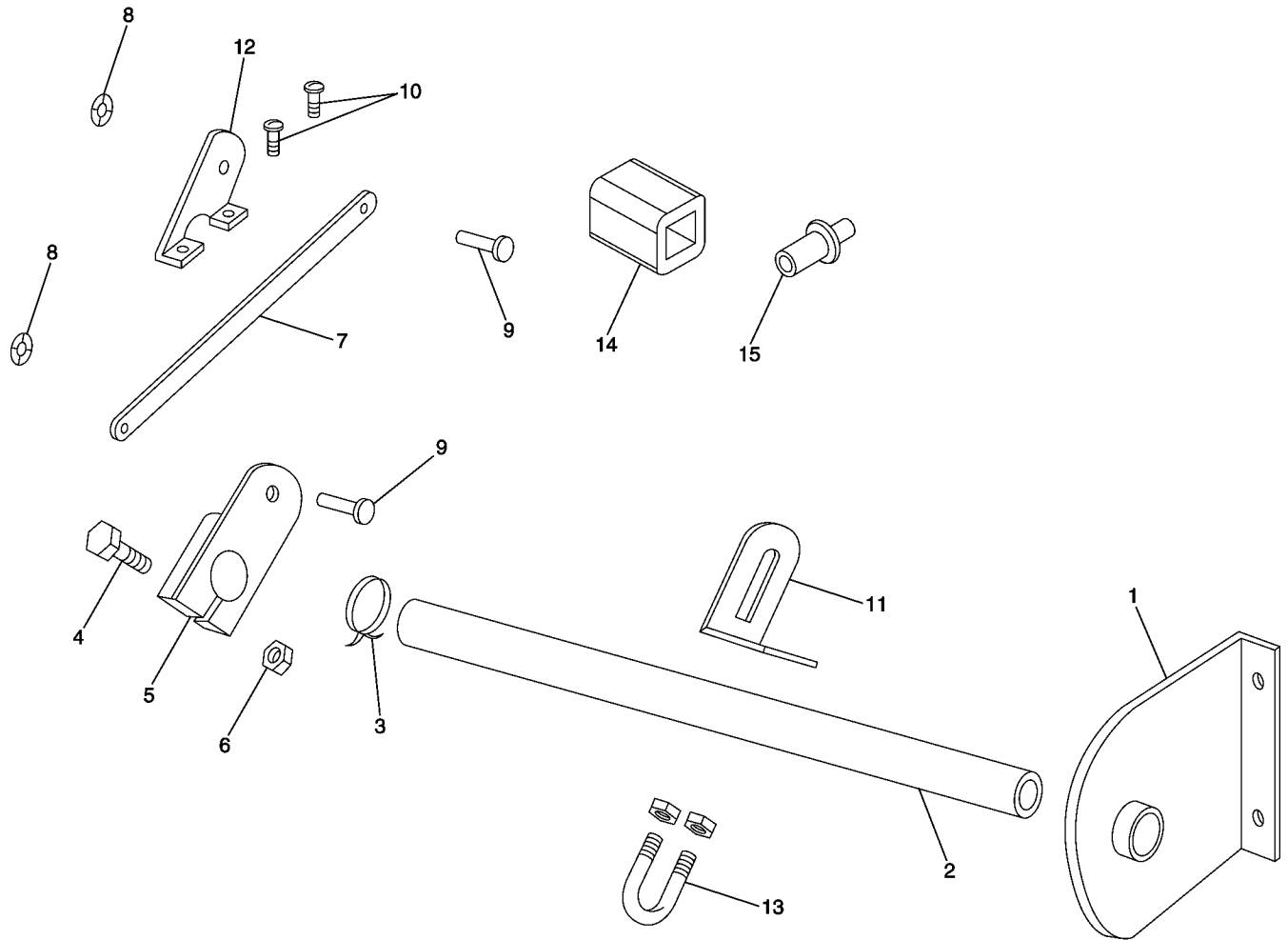
ITEM	DESCRIPTION	QTY
1	BRACKET	1
2	#12-24 x 1/2 INCH SELF-TAPPING, HEX HEAD SCREW	4
3	MANUAL LOCKING QUADRANT ASSEMBLY	1
4	DRILL SCREW	2

FIGURE 22 - MANUAL LOCKING QUADRANT KIT



ITEM	DESCRIPTION	QTY
1	BLADE ARM	2
2	#12-24 x 1/2 INCH HEX HEAD, SELF-TAPPING SCREWS	4
3	LINKAGE ROD, 5/16 INCH DIAMETER, 48 INCHES LONG	1
4	SWIVEL BALL JOINT	2
5	#10-32 x 1-1/4 INCH LONG HEX HEAD SCREW	2
6	#10-32 HEX NUT	4

FIGURE 23 - BLADE TO BLADE LINKAGE KIT



ITEM	DESCRIPTION	QTY
1	MOUNTING BRACKET WITH BUSHING	2
2	3/4 INCH GALVANIZED TUBING	36 INCHES
3	HOSE CLAMP 3/4 INCH I.D.	2
4	5/16-18 x 1-1/2 INCH BOLT	2
5	CRANK ARM	2
6	#5/16-18 NUT	2
7	CONNECTION LINK	2
8	PUSH NUT	4
9	CLEVIS PIN	4
10	SCREW, 12-24 x 1/2 INCH SELF-TAPPING	8
11	DRIVE ARM	2
12	BLADE ARM	2
13	U-BOLT WITH NUTS	4
15	RIVETS	30
16	#10-32 x 1-1/4 LONG HEX HEAD SCREW	4
17	#10-32 HEX NUT	4

**FIGURE 24 - JACKSHAFT KIT**

**TABLE 26 - AIR MEASUREMENT STATIONS**

FIGURE	ITEM	UNIT SIZE	DESCRIPTION	PART NUMBER
19	4	50-65	Air Measurement Station, Mid Section, 22" x 28"	026-36373-001
19	5		Air Measurement Station, End Section, 31" x 28"	026-36374-001
19	6		Air Measurement Station, End Section, 42" x 28"	026-36375-001
20	4	70-85	Air Measurement Station, Mid Section, 22" x 32"	026-36373-002
20	5		Air Measurement Station, End Section, 31" x 32"	026-36374-002
20	6		Air Measurement Station, End Section, 42" x 32"	026-36375-002
21	4	90-95	Air Measurement Station, Mid Section, 22" x 36"	026-36373-003
21	5		Air Measurement Station, End Section, 31" x 36"	026-36374-003
21	6		Air Measurement Station, End Section, 42" x 36"	026-36375-003

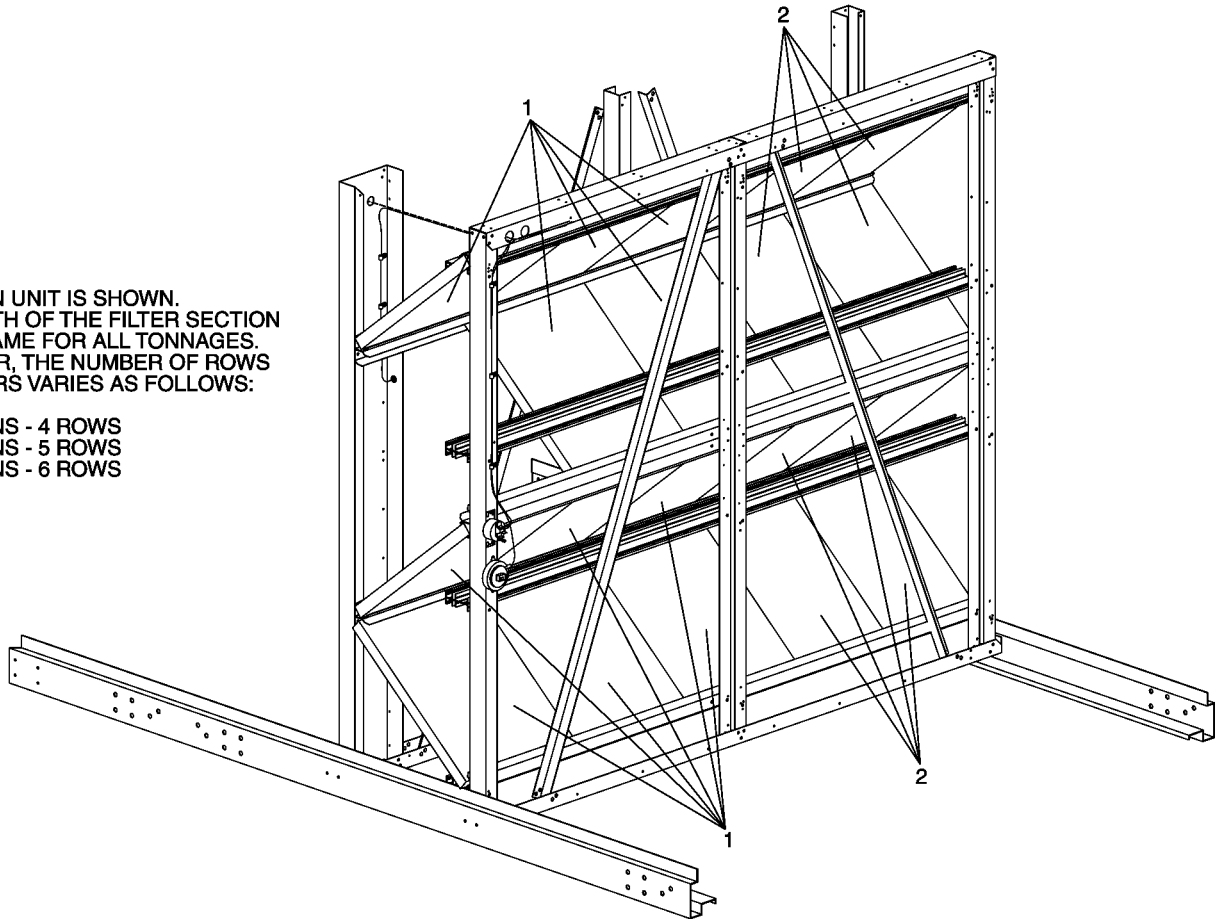
**TABLE 27 - FILTERS, ANGLE**

FIGURE	ITEM	UNIT SIZE	TYPE	SIZE	PART NUMBER	QUANTITY
25	1	50-65	2" Throwaway	20" x 25"	026-01730-000	12
25	2			16" x 25"	026-03616-000	8
25	1		2" Cleanable	20" x 25"	026-10451-000	12
25	2			16" x 25"	026-10449-000	8
25	1		2" Pleated, 30% Efficient	20" x 25"	026-21065-000	12
25	2			16" x 25"	026-21064-000	8
25	1		2" Carbon, 30% Efficient	20" x 25"	026-36378-000	12
25	2			16" x 25"	026-36377-000	8
25	1	70-85	2" Throwaway	20" x 25"	026-01730-000	15
25	2			16" x 25"	026-03616-000	10
25	1		2" Cleanable	20" x 25"	026-10451-000	15
25	2			16" x 25"	026-10449-000	10
25	1		2" Pleated, 30% Efficient	20" x 25"	026-21065-000	15
25	2			16" x 25"	026-21064-000	10
25	1		2" Carbon, 30% Efficient	20" x 25"	026-36378-000	15
25	2			16" x 25"	026-36377-000	10
25	1	90-95	2" Throwaway	20" x 25"	026-01730-000	18
25	2			16" x 25"	026-03616-000	12
25	1		2" Cleanable	20" x 25"	026-10451-000	18
25	2			16" x 25"	026-10449-000	12
25	1		2" Pleated, 30% Efficient	20" x 25"	026-21065-000	18
25	2			16" x 25"	026-21064-000	12
25	1		2" Carbon, 30% Efficient	20" x 25"	026-36378-000	18
25	2			16" x 25"	026-36377-000	12

**NOTE:**

50-65 TON UNIT IS SHOWN.  
THE WIDTH OF THE FILTER SECTION  
IS THE SAME FOR ALL TONNAGES.  
HOWEVER, THE NUMBER OF ROWS  
OF FILTERS VARIES AS FOLLOWS:

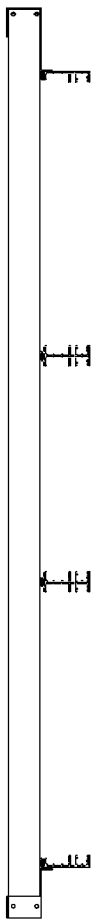
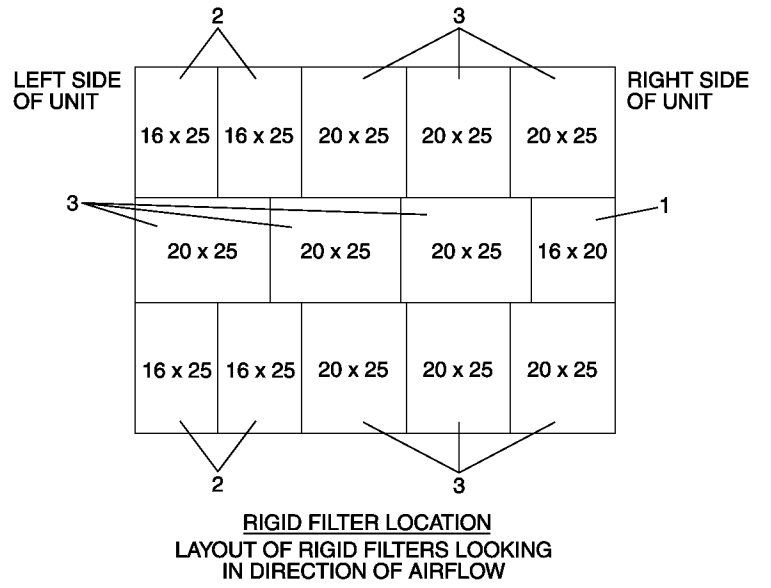
50-65 TONS - 4 ROWS  
70-85 TONS - 5 ROWS  
90-95 TONS - 6 ROWS



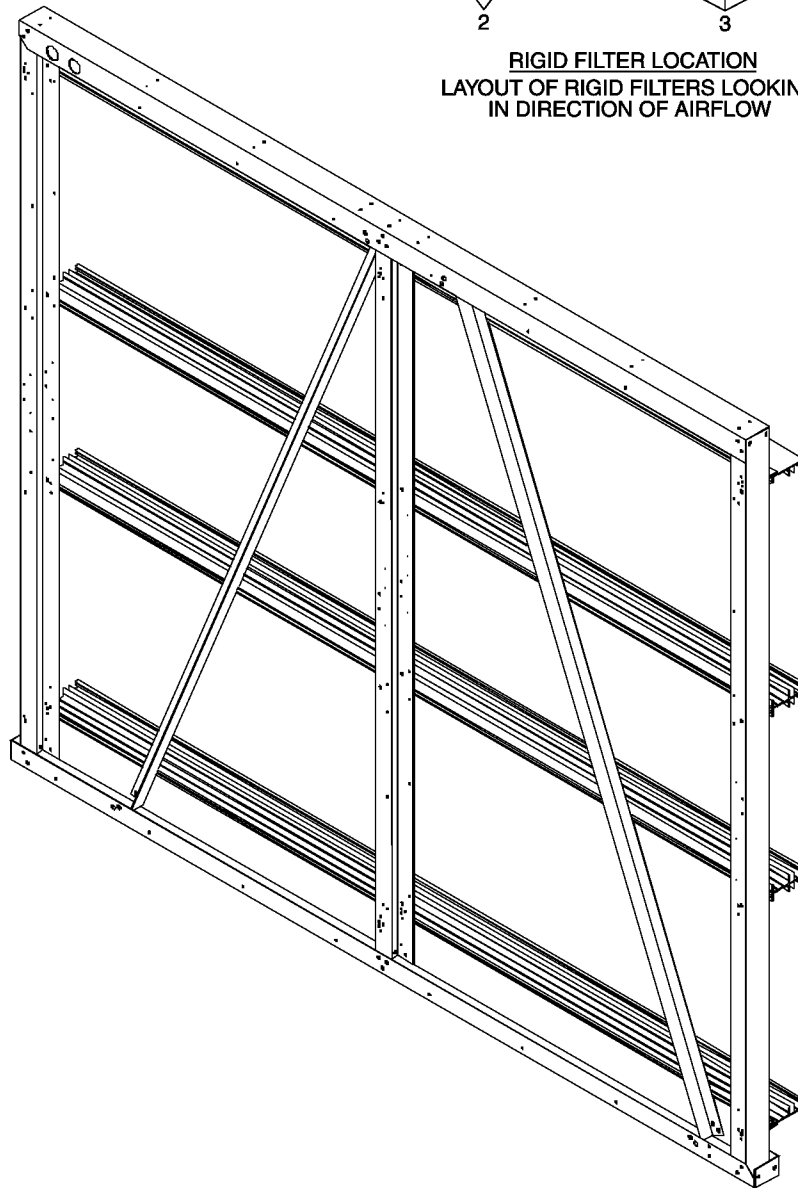
**FIGURE 25 - ANGLE FILTERS (50-65 TONS)**

**TABLE 28 - FILTERS, RIGID**

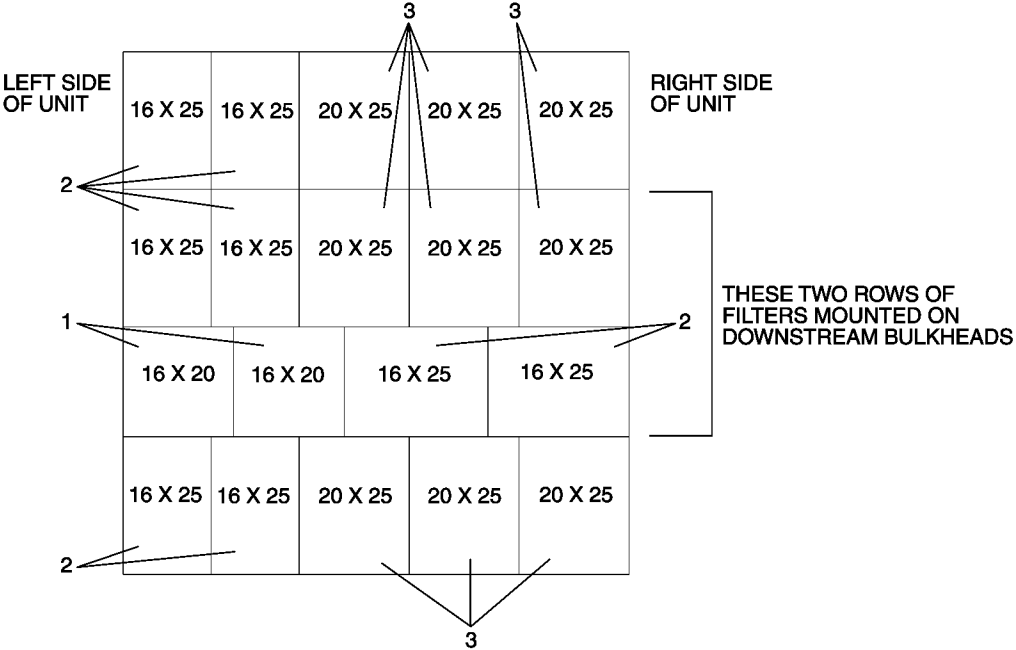
FIGURE	ITEM	UNIT SIZE	TYPE	SIZE	PART NUMBER	QUANTITY
26	1	50-65	2" Throwaway	16" x 20"	026-03617-000	1
26	2			16" x 25"	026-03616-000	4
26	3			20" x 25"	026-01730-000	9
26	1		12" 60-65% Efficient	16" x 20"	026-36340-009	1
26	2			16" x 25"	026-36340-010	4
26	3			20" x 25"	026-36379-000	9
26	1		12" 90-95% Efficient	16" x 20"	026-36342-009	1
26	2			16" x 25"	026-36342-010	4
26	3			20" x 25"	026-36380-000	9
26	1		2" Pleated Pre-Filter (for use with 12" 60-65% and 90-95% Efficient Filters)	16" x 20"	026-21062-000	1
26	2			16" x 25"	026-21064-000	4
26	3			20" x 25"	026-21065-000	9
27	1	70-85	2" Throwaway	16" x 20"	026-03617-000	2
27	2			16" x 25"	026-03616-000	8
27	3			20" x 25"	026-01730-000	9
27	1		12" 60-65% Efficient	16" x 20"	026-36340-009	2
27	2			16" x 25"	026-36340-010	8
27	3			20" x 25"	026-36379-000	9
27	1		12" 90-95% Efficient	16" x 20"	026-36342-009	2
27	2			16" x 25"	026-36342-010	8
27	3			20" x 25"	026-36380-000	9
27	1		2" Pleated Pre-Filter (for use with 12" 60-65% and 90-95% Efficient Filters)	16" x 20"	026-21062-000	2
27	2			16" x 25"	026-21064-000	8
27	3			20" x 25"	026-21065-000	9
28	1	90-95	2" Throwaway	16" x 25"	026-03616-000	8
28	2			20" x 25"	026-01730-000	12
28	1		12" 60-65% Efficient	16" x 25"	026-36340-010	8
28	2			20" x 25"	026-36379-000	12
28	1		12" 90-95% Efficient	16" x 25"	026-36342-010	8
28	2			20" x 25"	026-36380-000	12
28	1		2" Pleated Pre-Filter (for use with 12" 60-65% and 90-95% Efficient Filters)	16" x 25"	026-21064-000	8
28	2			20" x 25"	026-21065-000	12



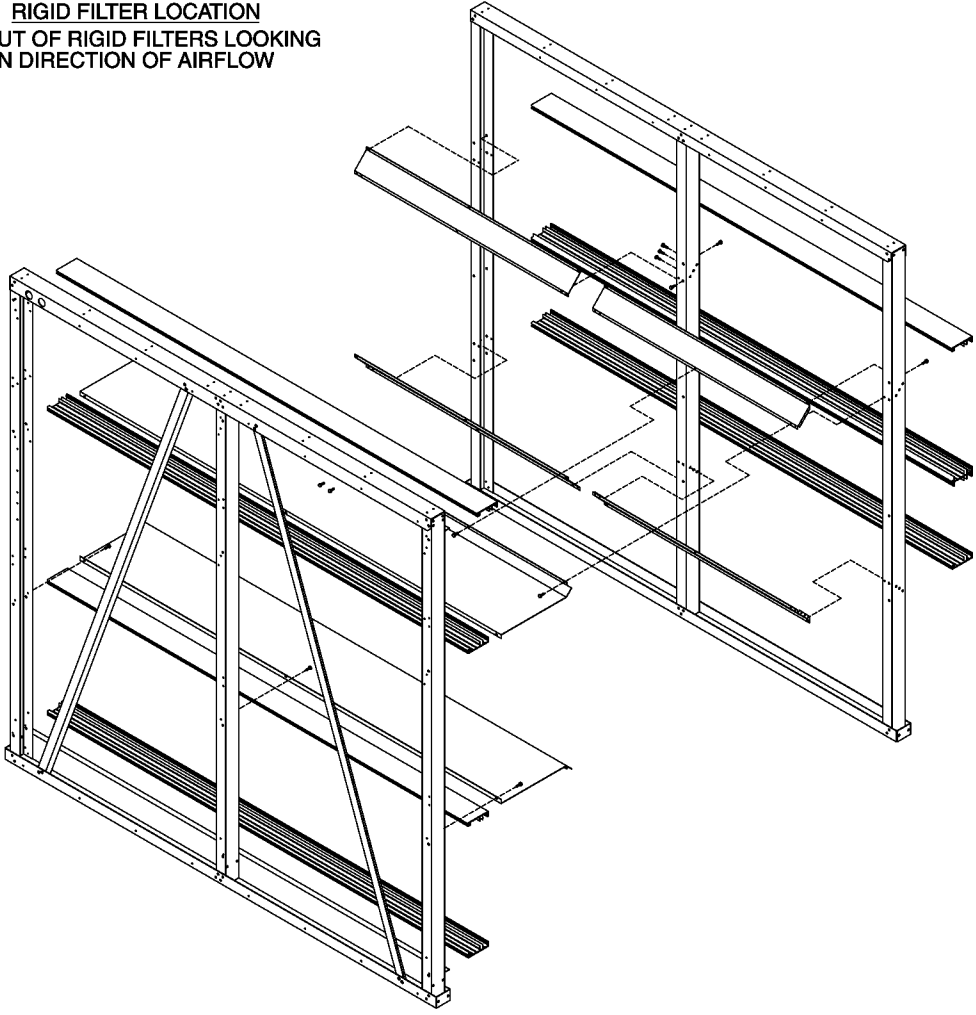
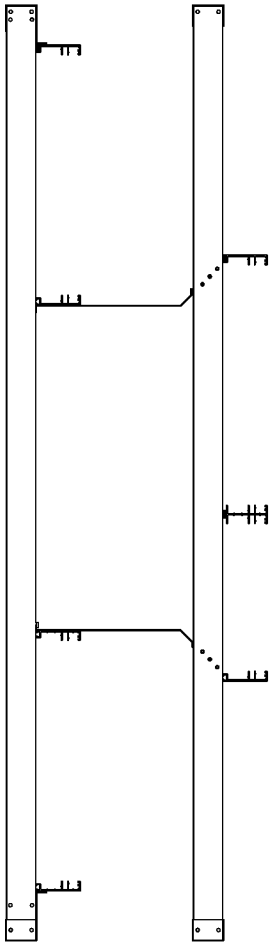
**SIDE VIEW**



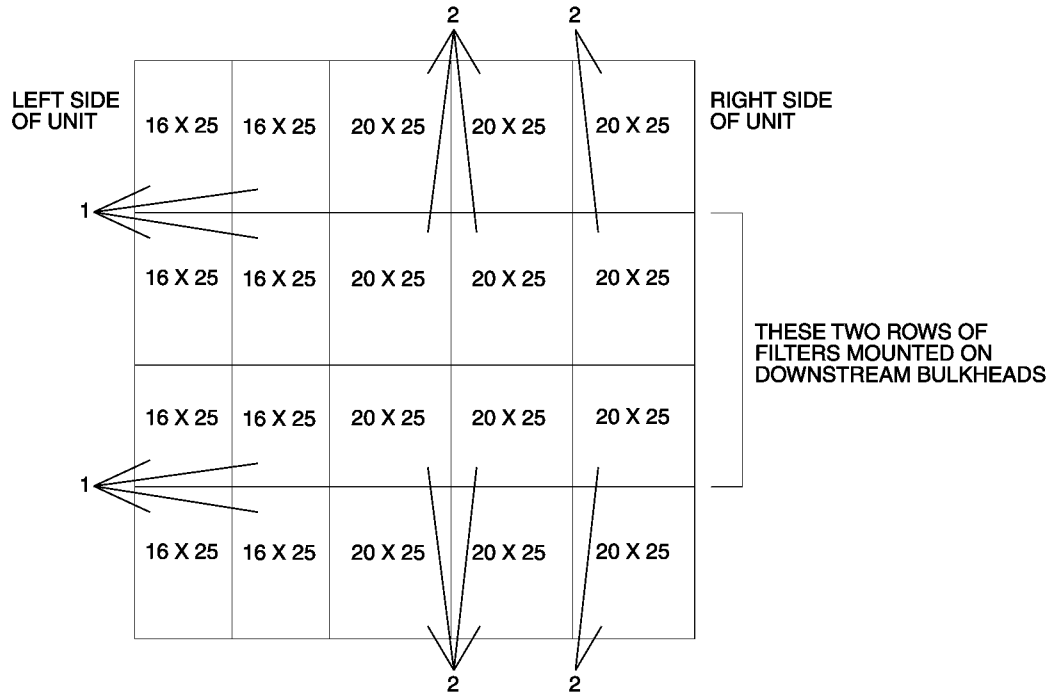
**FIGURE 26 - RIGID FILTERS (50-65 TONS)**



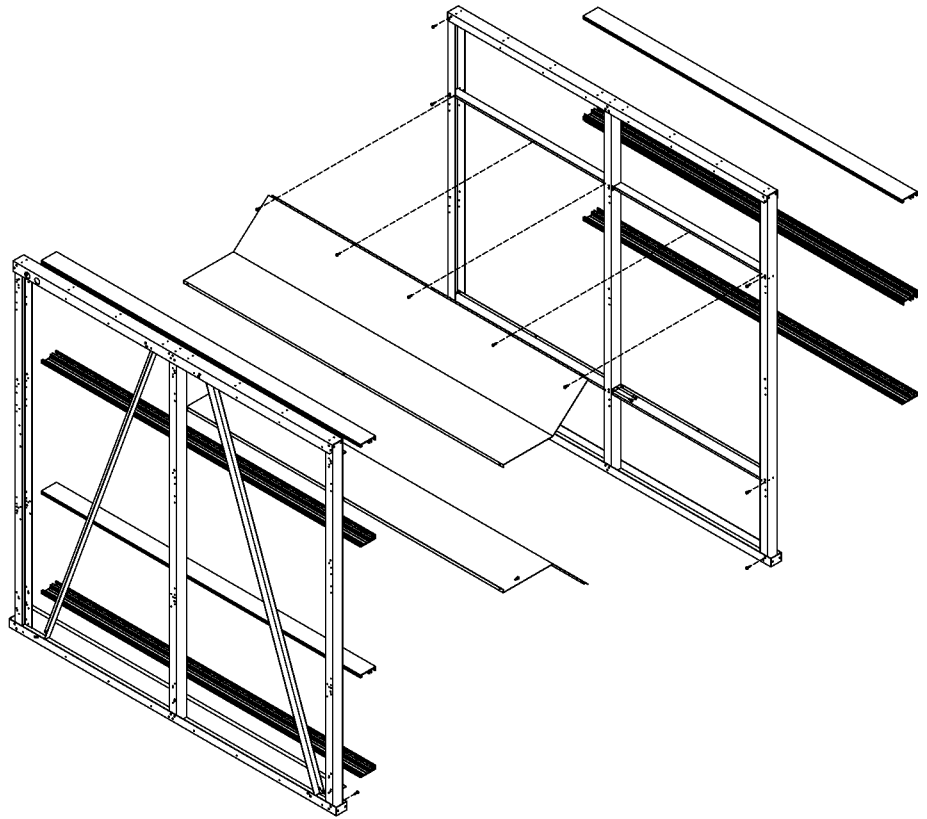
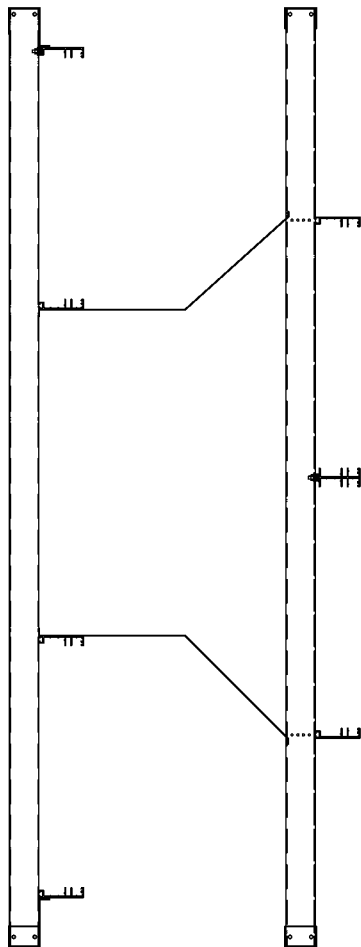
**RIGID FILTER LOCATION**  
LAYOUT OF RIGID FILTERS LOOKING  
IN DIRECTION OF AIRFLOW



**FIGURE 27 - RIGID FILTERS (70-85 TONS)**



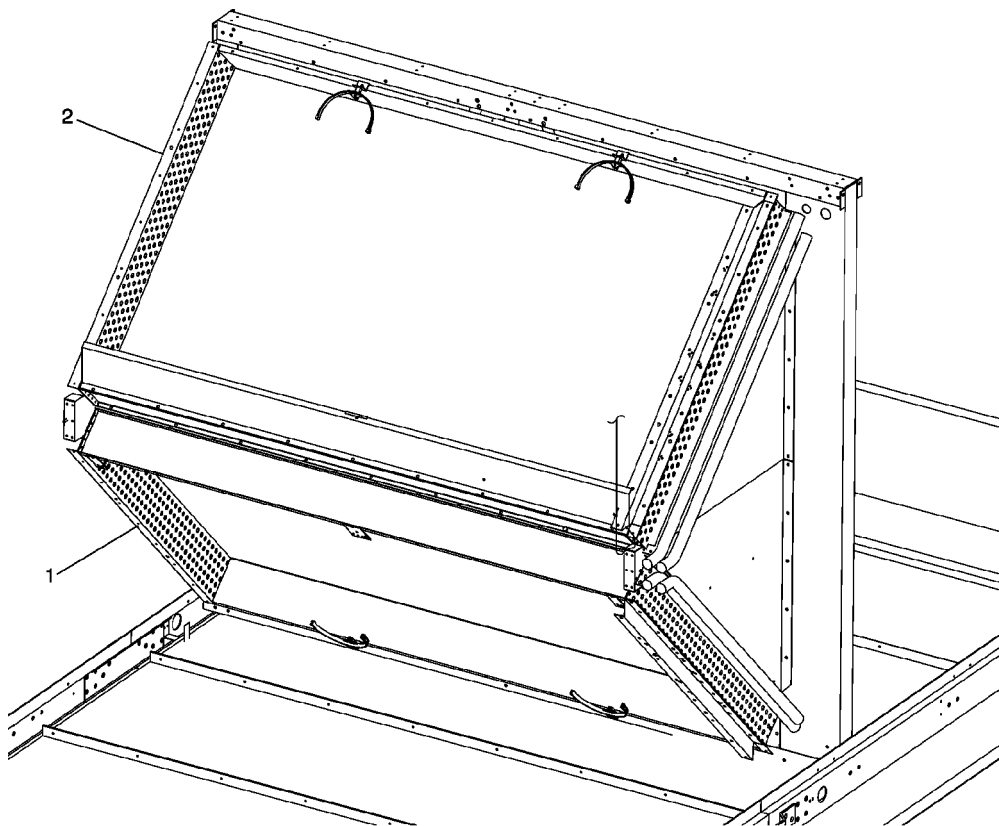
**RIGID FILTER LOCATION**  
LAYOUT OF RIGID FILTERS LOOKING IN DIRECTION OF AIRFLOW



**FIGURE 28 - RIGID FILTERS (90-95 TONS)**

**TABLE 29 - EVAPORATOR COILS (R407C AND R22)**

FIGURE	ITEM	UNIT SIZE	LOCATION	PART NUMBER		QUANTITY
				ALUMINUM FINNS	COPPER FINNS	
29	1	50	Bottom	385-01273-152	385-01273-153	1
	2		Top	385-01273-150	385-01273-151	1
29	1	55	Bottom	385-01273-252	385-01273-253	1
	2		Top	385-01273-250	385-01273-251	1
29	1	60	Bottom	385-01273-256	385-01273-257	1
	2		Top	385-01273-254	385-01273-255	1
29	1	65	Bottom	385-01273-352	385-01273-353	1
	2		Top	385-01273-350	385-01273-351	1
29	1	70	Bottom	385-01273-452	385-01273-453	1
	2		Top	385-01273-450	385-01273-451	1
29	1	75	Bottom	385-01273-552	385-01273-553	1
	2		Top	385-01273-550	385-01273-551	1
29	1	80	Bottom	385-01273-652	385-01273-653	1
	2		Top	385-01273-650	385-01273-651	1
29	1	85	Bottom	385-01273-552	385-01273-553	1
	2		Top	385-01273-550	385-01273-551	1
29	1	90	Bottom	385-01273-652	385-01273-653	1
	2		Top	385-01273-650	385-01273-651	1
29	1	95	Bottom	385-01273-552	385-01273-553	1
	2		Top	385-01273-550	385-01273-551	1



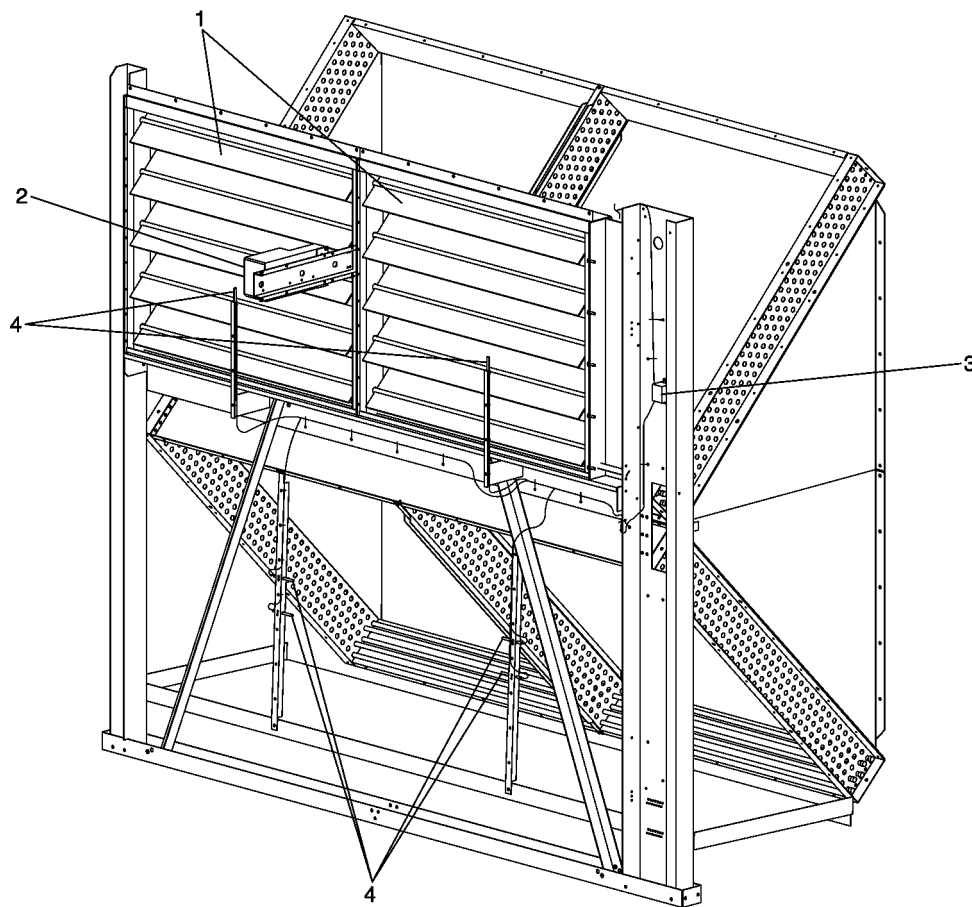
**FIGURE 29 - EVAPORATOR COILS (50-95 TONS)**

**TABLE 30 - EVAPORATOR FACE DAMPERS, ACTUATORS, AND RELAYS**

FIGURE	ITEM	UNIT SIZE	DESCRIPTION	PART NUMBER
30	1	50-65	Control Damper, 37" x 30"	026-36443-001
30	1	70-95	Control Damper, 37" x 37"	026-36443-002
*		50-95	Damper Coupling Kit <sup>1</sup>	026-36391-005
30	2		Actuator	025-35774-006
14			Actuator Mounting Kit	026-36386-000
30	3		Relay	024-33137-000

\*Item not shown.

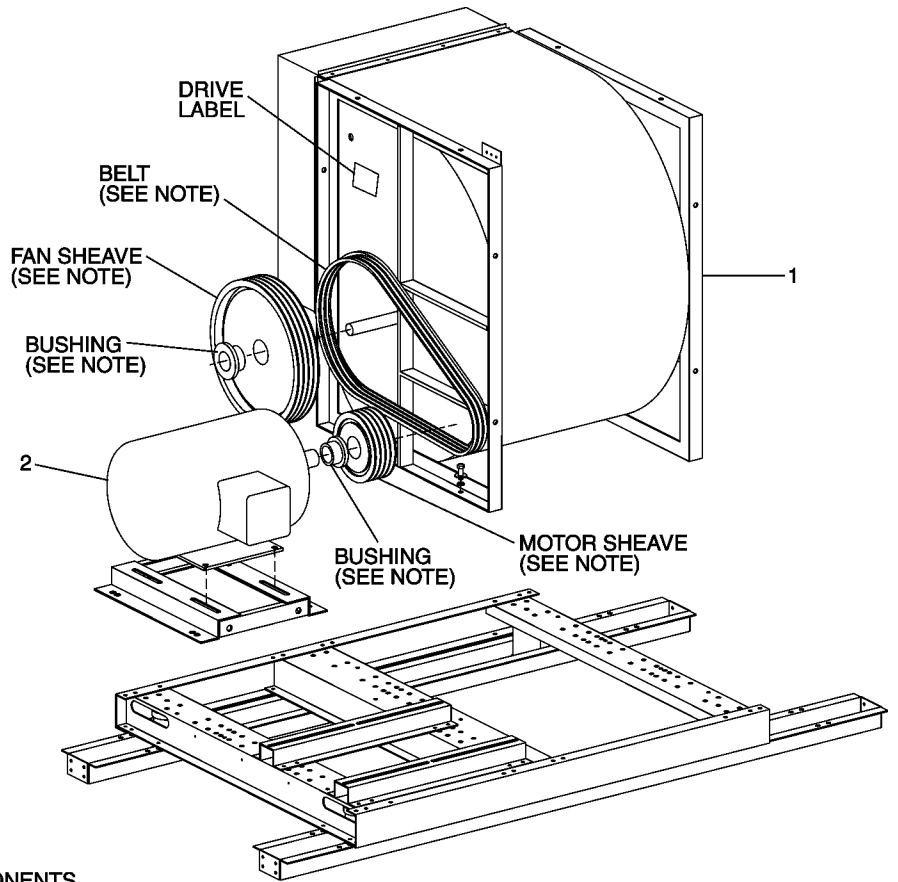
<sup>1</sup>Damper coupling kit is required whenever replacement dampers are ordered.



**FIGURE 30 - EVAPORATOR FACE DAMPERS, ACTUATORS, AND RELAYS (50-95 TONS)**

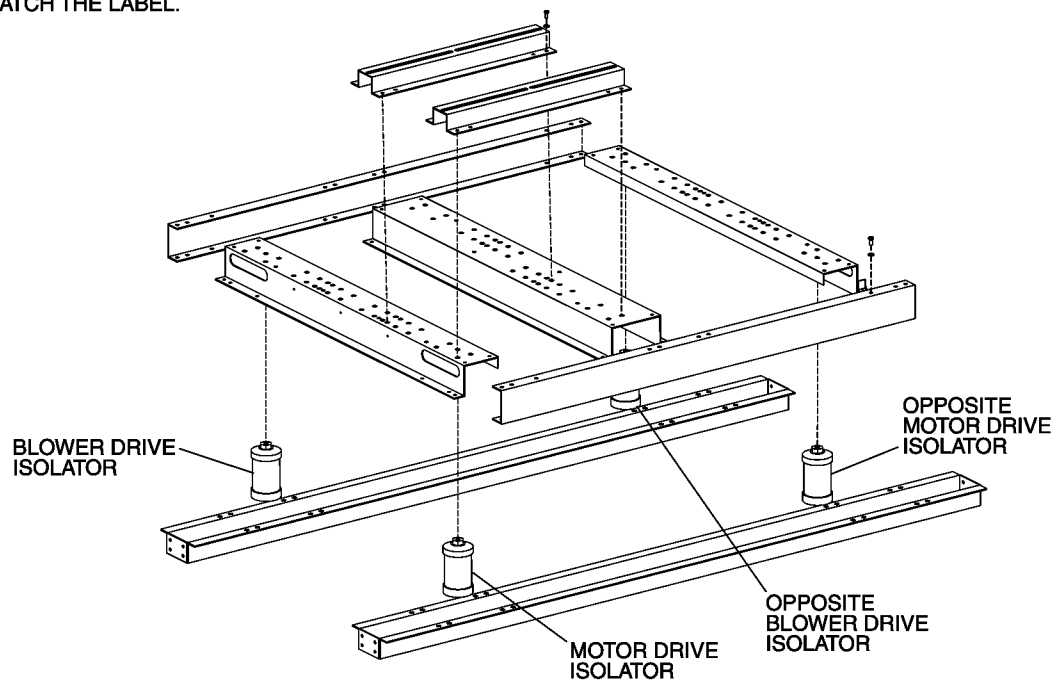
**TABLE 31 - SUPPLY FANS**

<b>FIGURE</b>	<b>ITEM</b>	<b>UNIT SIZE</b>	<b>SIZE</b>	<b>TYPE</b>	<b>CLASS</b>	<b>PART NUMBER</b>
31	1	50-65	25-22	Forward-Curved	2	026-36310-425
31	1		25-25	Airfoil	1	026-36313-125
31	1		25-25	Airfoil	2	026-36313-225
32	1	70-85	28-25	Forward-Curved	2	026-36311-428
32	1	70-95	32-32	Airfoil	1	026-36313-132
32	1		32-32	Airfoil	2	026-36313-232
32	1	90-95	28-28	Forward-Curved	2	026-36311-228



**NOTE:**

PROCURE REPLACEMENT DRIVE COMPONENTS LOCALLY. A DRIVE LABEL, AFFIXED TO THE SUPPLY FAN, LISTS THE DRIVE SPECIFICATIONS. HOWEVER, DUE TO POSSIBLE CHANGES IN THE FIELD, REPLACEMENT PARTS MUST BE VERIFIED AGAINST INSTALLED PARTS SINCE THE INSTALLED PARTS MAY NOT MATCH THE LABEL.



**FIGURE 31 - SUPPLY FANS, MOTORS, ISOLATORS, AND DRIVE COMPONENTS (50-65 TONS)**

NOTE:  
PROCURE REPLACEMENT DRIVE  
COMPONENTS LOCALLY. A DRIVE LABEL,  
AFFIXED TO THE SUPPLY FAN, LISTS THE  
DRIVE SPECIFICATIONS. HOWEVER, DUE  
TO POSSIBLE CHANGES IN THE FIELD,  
REPLACEMENT PARTS MUST BE VERIFIED  
AGAINST INSTALLED PARTS SINCE THE  
INSTALLED PARTS MAY NOT MATCH  
THE LABEL.

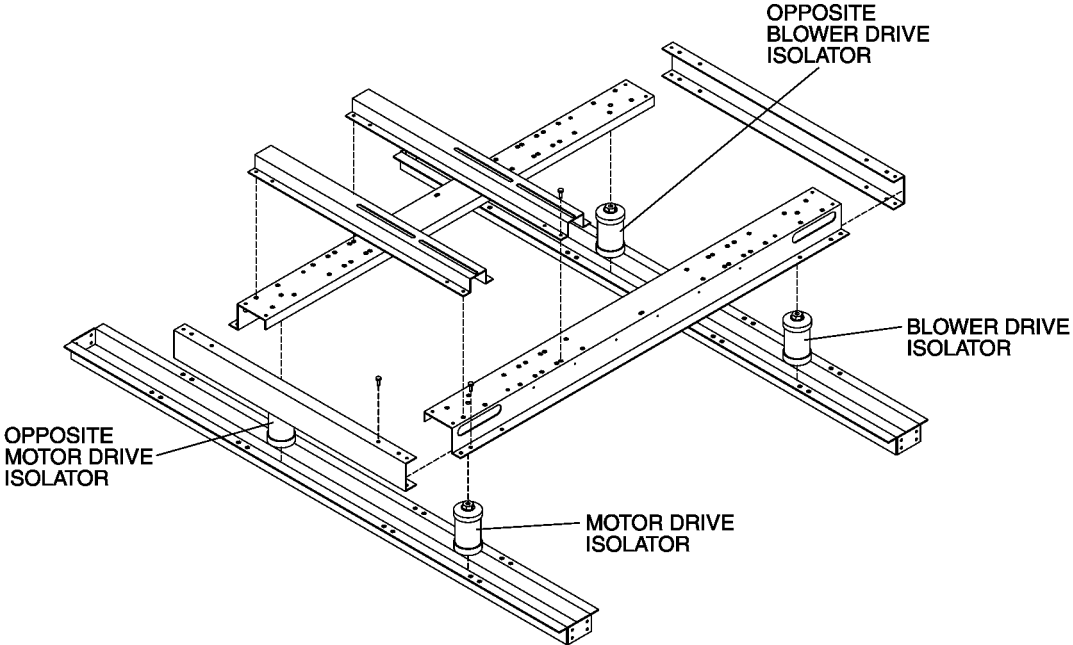
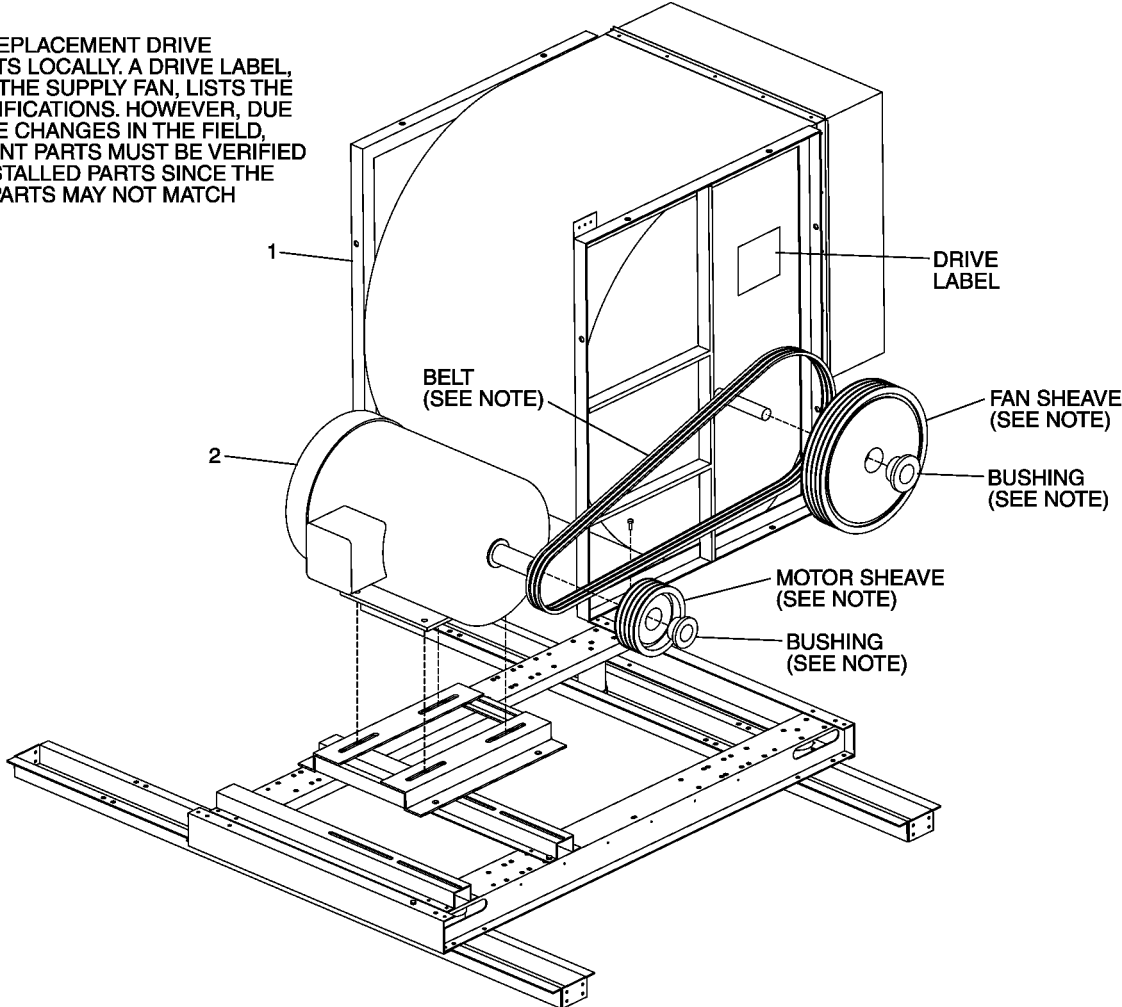


FIGURE 32 - SUPPLY FANS, MOTORS, ISOLATORS, AND DRIVE COMPONENTS (70-95 TONS)

**TABLE 32 - SUPPLY FAN MOTORS, ODP, 3 PHASE, 60 HERTZ**

FIGURE	ITEM	UNIT SIZE	MOTOR HP	VOLTAGE	STANDARD EFFICIENCY PART NUMBER	HIGH EFFICIENCY PART NUMBER	
31	2	50-65	10	200	024-23938-000	024-27060-000	
31	2			230	024-23931-000	024-27062-000	
31	2			380	024-26236-000	NA	
31	2			460	024-23931-000	024-27062-000	
31	2			575	024-27011-000	024-27373-000	
31, 32	2	50-95	15	200	024-23939-000	024-27063-000	
31, 32	2			230	024-23932-000	024-27064-000	
31, 32	2			380	024-26237-000	NA	
31, 32	2			460	024-23932-000	024-27064-000	
31, 32	2			575	024-27012-000	024-27374-000	
31, 32	2		20	200	024-23940-000	024-27065-000	
31, 32	2			230	024-23933-000	024-27066-000	
31, 32	2			380	024-26238-000	NA	
31, 32	2			460	024-23933-000	024-27066-000	
31, 32	2			575	024-27013-000	024-27375-000	
31, 32	2		25	200	024-23941-000	024-27067-000	
31, 32	2			230	024-23934-000	024-27068-000	
31, 32	2			380	024-26239-000	NA	
31, 32	2			460	024-23934-000	024-27068-000	
31, 32	2			575	024-27014-000	024-27376-000	
31, 32	2		30	200	024-26265-000	024-27069-000	
31, 32	2			230	024-23191-000	024-27070-000	
31, 32	2			380	024-26240-000	NA	
31, 32	2			460	024-23191-000	024-27070-000	
31, 32	2			575	024-27015-000	024-27377-000	
31, 32	2		40	200	024-26266-000	024-27071-000	
31, 32	2			230	024-23195-000	024-27072-000	
31, 32	2			380	024-26241-000	NA	
31, 32	2			460	024-23195-000	024-27072-000	
31, 32	2			575	024-27016-000	024-27378-000	
32	2		70-95	50	200	024-14920-000	024-27073-000
32	2				230	024-23196-000	024-27074-000
32	2				380	024-26242-000	NA
32	2				460	024-23196-000	024-27074-000
32	2				575	024-27017-000	024-27392-000
32	2	60		200	024-27396-000	024-27075-000	
32	2			230	024-23197-000	024-27076-000	
32	2			380	024-26243-000	NA	
32	2			460	024-23197-000	024-27076-000	
32	2			575	024-27018-000	024-27393-000	

**TABLE 33 - SUPPLY FAN MOTORS, TEFC, 3 PHASE, 60 HERTZ**

FIGURE	ITEM	UNIT SIZE	MOTOR HP	VOLTAGE	STANDARD EFFICIENCY PART NUMBER	HIGH EFFICIENCY PART NUMBER	
31	2	50-65	10	200	024-23924-000	024-27087-000	
31	2			230	024-23917-000	024-27088-000	
31	2			380	024-26251-000	NA	
31	2			460	024-23917-000	024-27088-000	
31	2			575	024-27043-000	024-27347-000	
31, 32	2	50-95	15	200	024-23925-000	024-27089-000	
31, 32	2			230	024-23918-000	024-27090-000	
31, 32	2			380	024-26252-000	NA	
31, 32	2			460	024-23918-000	024-27090-000	
31, 32	2			575	024-27314-000	024-27349-000	
31, 32	2		20	200	024-27336-000	024-27097-000	
31, 32	2			230	024-23919-000	024-27098-000	
31, 32	2			380	024-26253-000	NA	
31, 32	2			460	024-23919-000	024-27098-000	
31, 32	2			575	024-27029-000	024-27351-000	
31, 32	2		25	200	024-27338-000	024-27099-000	
31, 32	2			230	024-23920-000	024-27300-000	
31, 32	2			380	024-26254-000	NA	
31, 32	2			460	024-23920-000	024-27300-000	
31, 32	2			575	024-27030-000	024-27353-000	
31, 32	2		30	200	024-26271-000	024-30744-000	
31, 32	2			230	024-26282-000	024-27301-000	
31, 32	2			380	024-26255-000	NA	
31, 32	2			460	024-26282-000	024-27301-000	
31, 32	2			575	024-27031-000	024-27355-000	
31, 32	2		40	200	024-27341-000	024-30745-000	
31, 32	2			230	024-26283-000	024-27302-000	
31, 32	2			380	024-26256-000	NA	
31, 32	2			460	024-26283-000	024-27302-000	
31, 32	2			575	024-27032-000	024-27357-000	
32	2		70-95	50	200	024-27096-000	024-27391-000
32	2				230	024-26284-000	024-27303-000
32	2				380	024-26257-000	NA
32	2				460	024-26284-000	024-27303-000
32	2				575	024-27033-000	024-27319-000
32	2	60		200	024-27394-000	024-27395-000	
32	2			230	024-26285-000	024-27304-000	
32	2			380	024-26258-000	NA	
32	2			460	024-26285-000	024-27304-000	
32	2			575	024-27034-000	024-27320-000	

**TABLE 34 - SUPPLY FAN MOTORS, ODP AND TEFC, 3 PHASE, 50 HERTZ**

FIGURE	ITEM	UNIT SIZE	MOTOR HP	VOLTAGE	ODP STANDARD EFFICIENCY PART NUMBER	TEFC STANDARD EFFICIENCY PART NUMBER
31	2	50-65	10	400	024-27325-000	024-27334-000
31, 32	2	50-95	15	400	024-27326-000	024-27335-000
31, 32	2		20	400	024-27327-000	024-27337-000
31, 32	2		25	400	024-27379-000	024-27339-000
31, 32	2		30	400	024-27381-000	024-27340-000
31, 32	2		40	400	024-27383-000	024-27342-000
32	2	70-95	50	400	024-27385-000	024-27389-000
32	2		60	400	024-27387-000	024-27390-000

**TABLE 35 - SUPPLY FAN (FORWARD-CURVED) ONE INCH SPRING ISOLATORS**

FIGURE	UNIT SIZE	MOTOR HP	FAN CLASS	BLOWER DRIVE	OPPOSITE BLOWER DRIVE	MOTOR DRIVE	OPPOSITE MOTOR DRIVE
31	50-65	10	2	029-21363-004	029-21363-004	029-21363-002	029-21363-003
31		15	2	029-21363-005	029-21363-004	029-21363-004	029-21363-004
31		20	2	029-21363-005	029-21363-004	029-21363-004	029-21363-004
31		25	2	029-21363-005	029-21363-004	029-21363-005	029-21363-005
31		30	2	029-21363-006	029-21363-004	029-21363-005	029-21363-005
31		40	2	029-21363-006	029-21363-005	029-21363-006	029-21363-006
32	70-85	10	2	029-21363-005	029-21363-001	029-21363-005	029-21363-003
32		15	2	029-21363-005	029-21363-002	029-21363-006	029-21363-004
32		20	2	029-21363-005	029-21363-002	029-21363-006	029-21363-004
32		25	2	029-21363-005	029-21363-003	029-21363-006	029-21363-005
32		30	2	029-21363-005	029-21363-003	029-21363-006	029-21363-005
32		40	2	029-21363-006	029-21363-004	029-21363-008	029-21363-006
32	90-95	50	2	029-21363-006	029-21363-004	029-21363-008	029-21363-006
32		10	2	029-21363-005	029-21363-001	029-21363-005	029-21363-003
32		15	2	029-21363-005	029-21363-002	029-21363-006	029-21363-004
32		20	2	029-21363-005	029-21363-002	029-21363-006	029-21363-004
32		25	2	029-21363-005	029-21363-002	029-21363-006	029-21363-005
32		30	2	029-21363-005	029-21363-003	029-21363-006	029-21363-005
32	40	2	029-21363-006	029-21363-003	029-21363-008	029-21363-006	
32	50	2	029-21363-006	029-21363-003	029-21363-008	029-21363-006	
32	60	2	029-21363-006	029-21363-005	029-21363-008	029-21363-006	

**TABLE 36 - SUPPLY FAN (FORWARD-CURVED) TWO INCH SPRING ISOLATORS**

FIGURE	UNIT SIZE	MOTOR HP	FAN CLASS	BLOWER DRIVE	OPPOSITE BLOWER DRIVE	MOTOR DRIVE	OPPOSITE MOTOR DRIVE
31	50-65	10	2	029-21330-604	029-21330-604	029-21330-603	029-21330-604
31		15	2	029-21330-604	029-21330-604	029-21330-604	029-21330-604
31		20	2	029-21330-606	029-21330-604	029-21330-604	029-21330-604
31		25	2	029-21330-606	029-21330-604	029-21330-606	029-21330-606
31		30	2	029-21330-606	029-21330-604	029-21330-606	029-21330-606
31		40	2	029-21330-606	029-21330-606	029-21330-606	029-21330-606
32	70-85	10	2	029-21330-606	029-21330-601	029-21330-606	029-21330-603
32		15	2	029-21330-606	029-21330-602	029-21330-606	029-21330-604
32		20	2	029-21330-606	029-21330-602	029-21330-606	029-21330-604
32		25	2	029-21330-606	029-21330-603	029-21330-606	029-21330-606
32		30	2	029-21330-606	029-21330-604	029-21330-606	029-21330-606
32		40	2	029-21330-606	029-21330-604	029-21330-607	029-21330-606
32		50	2	029-21330-606	029-21330-604	029-21330-608	029-21330-606
32	90-95	10	2	029-21330-606	029-21330-601	029-21330-604	029-21330-603
32		15	2	029-21330-606	029-21330-602	029-21330-606	029-21330-603
32		20	2	029-21330-606	029-21330-602	029-21330-606	029-21330-604
32		25	2	029-21330-606	029-21330-602	029-21330-606	029-21330-604
32		30	2	029-21330-606	029-21330-603	029-21330-606	029-21330-606
32		40	2	029-21330-606	029-21330-603	029-21330-606	029-21330-606
32		50	2	029-21330-606	029-21330-603	029-21330-607	029-21330-606
32		60	2	029-21330-606	029-21330-603	029-21330-607	029-21330-606

**TABLE 37 - SUPPLY FAN (AIRFOIL) ONE INCH SPRING ISOLATORS**

FIGURE	UNIT SIZE	MOTOR HP	FAN CLASS	BLOWER DRIVE	OPPOSITE BLOWER DRIVE	MOTOR DRIVE	OPPOSITE MOTOR DRIVE
31	50-65	10	2	029-21363-005	029-21363-004	029-21363-003	029-21363-004
31		15	1	029-21363-005	029-21363-003	029-21363-004	029-21363-004
31			2	029-21363-005	029-21363-004	029-21363-004	029-21363-004
31		20	1	029-21363-005	029-21363-003	029-21363-005	029-21363-004
31			2	029-21363-005	029-21363-004	029-21363-005	029-21363-004
31		25	2	029-21363-006	029-21363-004	029-21363-005	029-21363-005
31		30	2	029-21363-006	029-21363-003	029-21363-006	029-21363-005
31		40	2	029-21363-006	029-21363-002	029-21363-006	029-21363-005
32	70-95	15	1	029-21363-006	029-21363-002	029-21363-005	029-21363-004
32			2	029-21363-006	029-21363-002	029-21363-005	029-21363-004
32		20	1	029-21363-006	029-21363-002	029-21363-005	029-21363-004
32			2	029-21363-006	029-21363-002	029-21363-006	029-21363-004
32		25	1	029-21363-006	029-21363-002	029-21363-006	029-21363-005
32			2	029-21363-006	029-21363-002	029-21363-006	029-21363-005
32		30	1	029-21363-006	029-21363-002	029-21363-006	029-21363-005
32			2	029-21363-006	029-21363-002	029-21363-006	029-21363-005
32		40	2	029-21363-008	029-21363-003	029-21363-008	029-21363-006
32		50	2	029-21363-008	029-21363-003	029-21363-008	029-21363-006
32		60	2	029-21363-008	029-21363-003	029-21363-008	029-21363-006

**TABLE 38 - SUPPLY FAN (AIRFOIL) TWO INCH SPRING ISOLATORS**

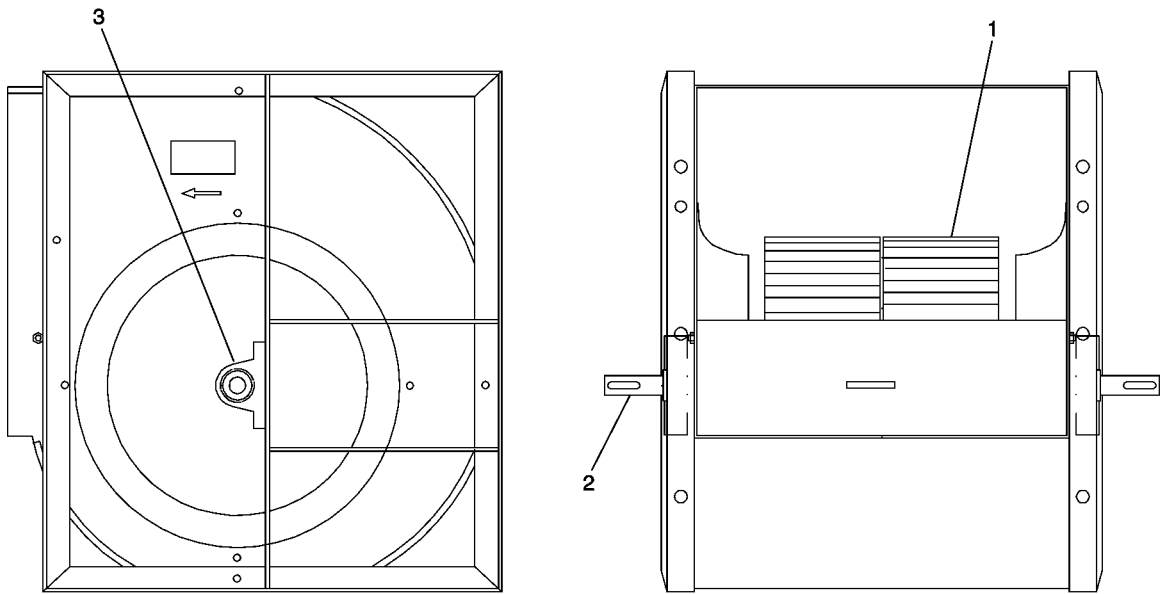
FIGURE	UNIT SIZE	MOTOR HP	FAN CLASS	BLOWER DRIVE	OPPOSITE BLOWER DRIVE	MOTOR DRIVE	OPPOSITE MOTOR DRIVE
31	50-65	10	2	029-21330-606	029-21330-603	029-21330-606	029-21330-604
31		15	1	029-21330-604	029-21330-603	029-21330-603	029-21330-604
31			2	029-21330-604	029-21330-604	029-21330-603	029-21330-604
31		20	1	029-21330-606	029-21330-603	029-21330-604	029-21330-604
31			2	029-21330-606	029-21330-604	029-21330-604	029-21330-604
31		25	2	029-21330-606	029-21330-604	029-21330-606	029-21330-604
31		30	2	029-21330-606	029-21330-604	029-21330-606	029-21330-606
31		40	2	029-21330-606	029-21330-603	029-21330-606	029-21330-606
32	70-95	15	1	029-21330-606	029-21330-602	029-21330-606	029-21330-606
32			2	029-21330-606	029-21330-603	029-21330-606	029-21330-606
32		20	1	029-21330-606	029-21330-603	029-21330-606	029-21330-604
32			2	029-21330-606	029-21330-603	029-21330-606	029-21330-604
32		25	1	029-21330-606	029-21330-603	029-21330-606	029-21330-604
32			2	029-21330-606	029-21330-603	029-21330-606	029-21330-604
32		30	1	029-21330-606	029-21330-603	029-21330-606	029-21330-606
32			2	029-21330-606	029-21330-603	029-21330-606	029-21330-606
32		40	2	029-21330-606	029-21330-603	029-21330-606	029-21330-606
32		50	2	029-21330-607	029-21330-603	029-21330-607	029-21330-606
32		60	2	029-21330-607	029-21330-603	029-21330-607	029-21330-606

**TABLE 39 - ISOLATOR PART NUMBER IDENTIFICATION BY COLOR**

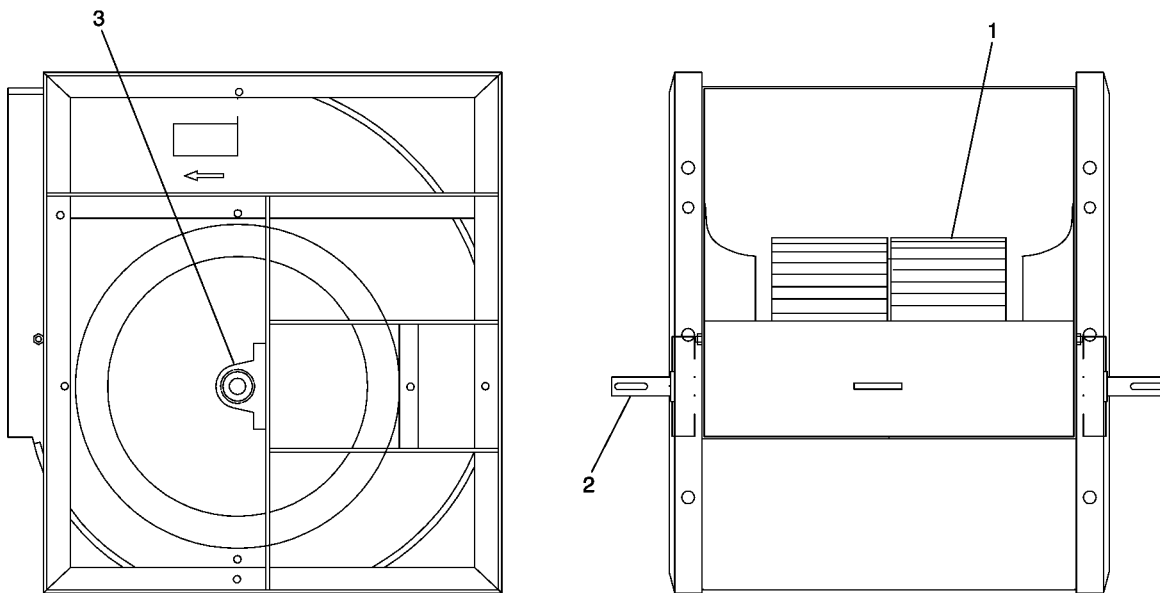
ONE INCH SPRING ISOLATORS		TWO INCH SPRING ISOLATORS	
COLOR	PART NUMBER	COLOR	PART NUMBER
Blue	029-21363-001	Blue	029-21330-601
Blue/Pink	029-21363-002	Yellow	029-21330-602
Blue/Black	029-21363-003	Black	029-21330-603
Blue/Blue	029-21363-004	Purple	029-21330-604
Black	029-21363-005	Red	029-21330-606
Black/Yellow	029-21363-006	Red/Black	029-21330-607
Red/Brown	029-21363-008	Red/Green	029-21330-608

**TABLE 40 - SUPPLY FAN REPLACEMENT PARTS**

FIGURE	ITEM	SUPPLY FAN PART NUMBER	TYPE	PART DESCRIPTION	QUANTITY	PART NUMBER
33	1	026-36310-425	Forward-Curved	Wheel	1	CAJ74600264
33	2			Shaft	1	CAJ74604384
33	3			Bearing	2	CAJ99913322
33	1	026-36311-428	Forward-Curved	Wheel	1	CAJ75200263
33	2			Shaft	1	CAJ75204384
33	3			Bearing	2	CAJ99913322
33	1	026-36311-228	Forward-Curved	Wheel	1	CAJ75400263
33	2			Shaft	1	CAJ75404384
33	3			Bearing	2	CAJ99913297
34	1	026-36313-125	Airfoil	Wheel	1	CAJ848E0261
34	2			Shaft	1	CAJ74804382
34	3			Bearing	2	CAJ99913299
34	1	026-36313-225	Airfoil	Wheel	1	CAJ848E0262
34	2			Shaft	1	CAJ74804383
34	3			Bearing	2	CAJ99BEA007
34	1	026-36313-132	Airfoil	Wheel	1	CAJ866E0260
34	2			Shaft	1	CAJ76604382
34	3			Bearing	2	CAJ99913296
34	1	026-36313-232	Airfoil	Wheel	1	CAJ866E0261
34	2			Shaft	1	CAJ76604383
34	3			Bearing	2	CAJ99BEA005

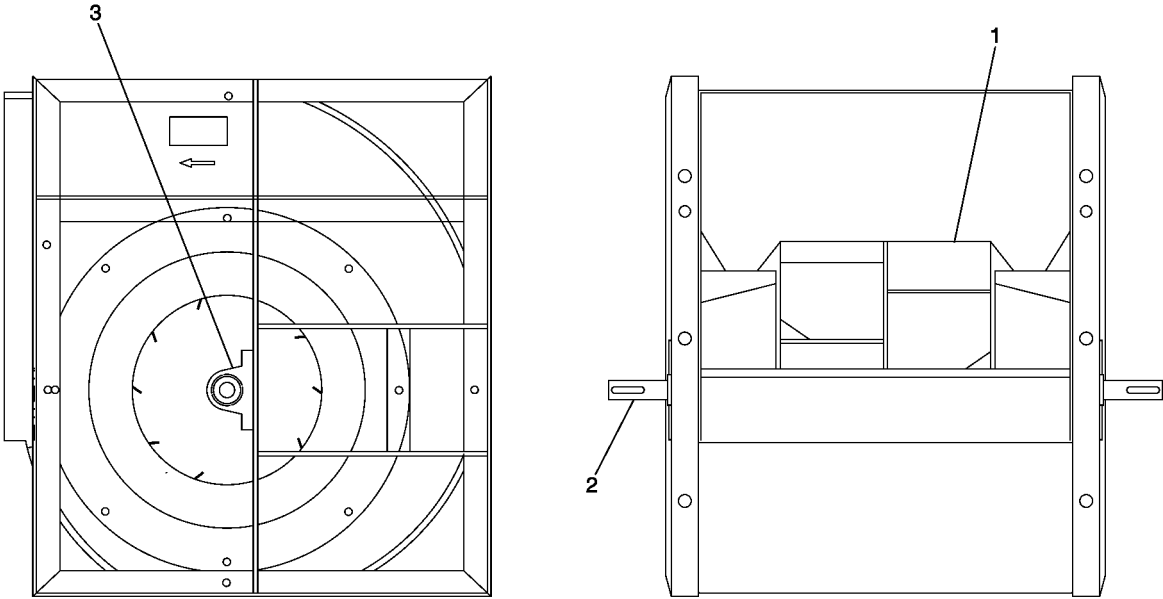


026-36310-425

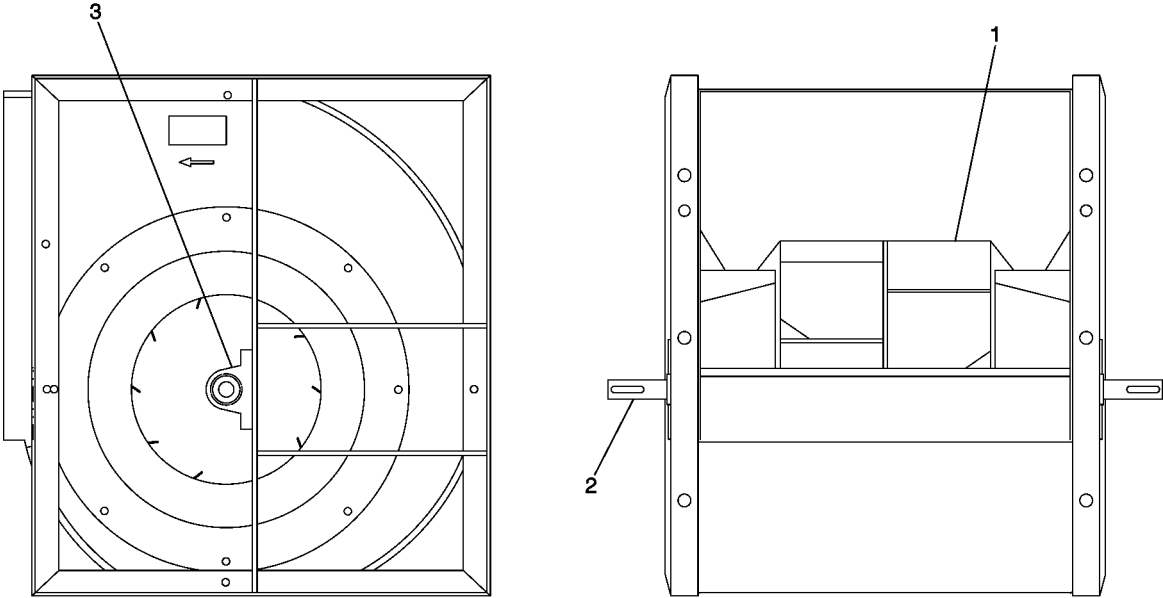


026-36311-428 AND 026-36311-228

**FIGURE 33 - SUPPLY FAN (FORWARD CURVED) REPLACEMENT PARTS**



026-36313-132 AND 026-36313-232



026-36313-125 AND 026-36313-225

**FIGURE 34 - SUPPLY FAN (AIRFOIL) REPLACEMENT PARTS**

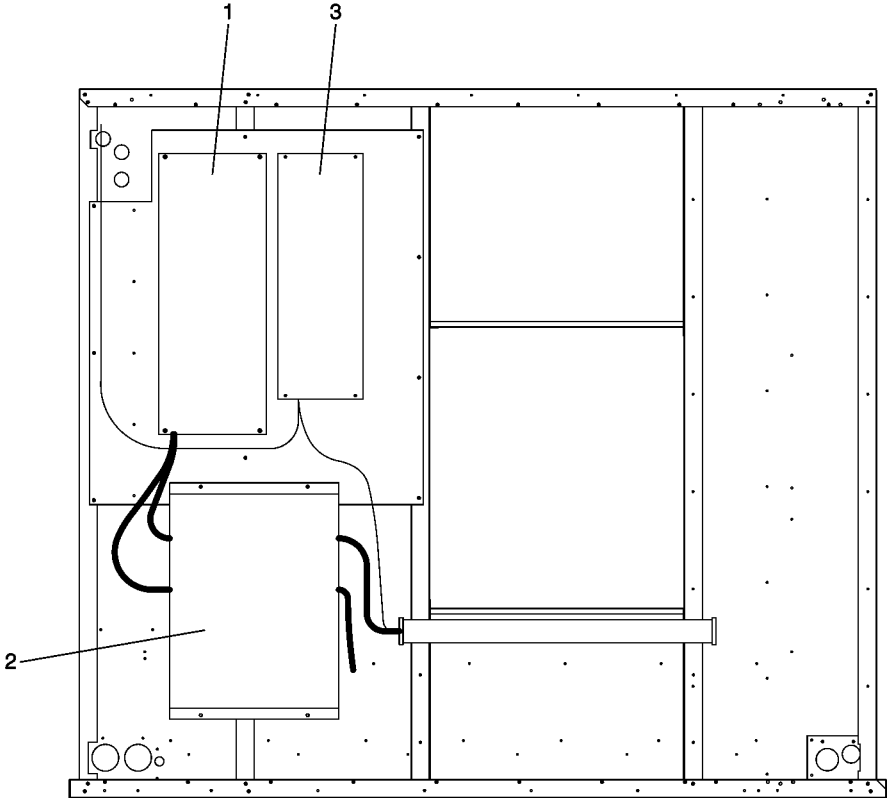
**TABLE 41 - SUPPLY FAN MOTOR VARIABLE FREQUENCY DRIVES**

FIGURE	ITEM	UNIT SIZE	MOTOR HP	PART NUMBER				
				200-230 VOLTS (60 HERTZ)	460 VOLTS (60 HERTZ)	575 VOLTS (60 HERTZ)	400 VOLTS (50 HERTZ)	380 VOLTS (60 HERTZ)
35, 41	1	50-65	10	025-36261-005	025-36263-005	025-36265-002	025-36263-006	025-36263-006
35, 41	1	50-95	15	025-36261-006	025-36263-006	025-36265-003	025-36263-007	025-36263-007
35, 41	1		20	025-36261-007	025-36263-007	025-36265-004	025-36263-008	025-36263-008
35, 41	1		25	025-36261-008	025-36263-008	025-36265-005	025-36263-009	025-36263-009
35, 41	1		30	025-36261-009	025-36263-009	025-36265-006	025-36263-010	025-36263-010
35, 41	1		40	025-36261-010	025-36263-010	025-36265-007	025-36263-011	025-36263-011
35, 41	1		70-95	50	025-36261-011	025-36263-011	025-36265-008	025-36263-012
35, 41	1	60		025-36261-012	025-36263-012	025-36265-009	025-36263-013	025-36263-013

**TABLE 42 - SUPPLY FAN MOTOR VFD BYPASS BOXES, OLD STYLE**

FIGURE	ITEM	UNIT SIZE	MOTOR HP	PART NUMBER			
				200 VOLTS (60 HERTZ)	230 VOLTS (60 HERTZ)	460 VOLTS (60 HERTZ)	575 VOLTS (60 HERTZ)
35	2	50-65	10	325-36146-001	325-36146-008	325-36146-015	325-36146-022
35	2	50-95	15	325-36146-002	325-36146-009	325-36146-016	325-36146-023
35	2		20	325-36146-003	325-36146-010	325-36146-016	325-36146-024
35	2		25	325-36146-004	325-36146-011	325-36146-017	325-36146-024
35	2		30	325-36146-005	325-36146-012	325-36146-018	325-36146-025
35	2		40	325-36146-006	325-36146-013	325-36146-019	325-36146-026
35	2		70-95	50	325-36146-007	325-36146-014	325-36146-020
35	2	60		325-36146-029	325-36146-030	325-36146-021	325-36146-028

See Table 47 for VFD Bypass Box Replacement Parts, Old Style.



**FIGURE 35 - SUPPLY AND EXHAUST FAN MOTOR VFDS AND VFD BYPASS BOX, OLD STYLE (50-95 TONS)**

**TABLE 43 - VFD BYPASS BOX REPLACEMENT PARTS, OLD STYLE**

FIGURE	ITEM	VFD BYPASS BOX PART NUMBER	PART DESCRIPTION	PART NUMBER	QUANTITY
37	1	325-36146-001	Contactora	025-31886-000	3
37	2		Surge Suppressor	031-02101-000	3
37	3		Overload Relay	029-23460-000	1
37	4		Transformer	025-38326-000	1
37	5		Fuse	Contact York Service	2
37	6		Fuse	Contact York Service	1
37	1	325-36146-002	Contactora	025-35691-000	3
37	2		Surge Suppressor	031-02101-000	3
37	3		Overload Relay	029-23461-000	1
37	4		Transformer	025-38326-000	1
37	5		Fuse	Contact York Service	2
37	6		Fuse	Contact York Service	1
37	1	325-36146-003	Contactora	025-35692-000	3
37	2		Surge Suppressor	031-02101-000	3
37	3		Overload Relay	029-23462-000	1
37	4		Transformer	025-38326-000	1
37	5		Fuse	Contact York Service	2
37	6		Fuse	Contact York Service	1
38	1	325-36146-004	Contactora	024-31109-000	3
38	2		Surge Suppressor	031-02203-000	3
38	3		Overload Relay	Contact York Service	1
38	4		Transformer	025-38326-000	1
38	5		Fuse	Contact York Service	2
38	6		Fuse	Contact York Service	1
38	1	325-36146-005	Contactora	024-31110-000	3
38	2		Surge Suppressor	031-02203-000	3
38	3		Overload Relay	024-33133-000	1
38	4		Transformer	025-38326-000	1
38	5		Fuse	Contact York Service	2
38	6		Fuse	Contact York Service	1
39	1	325-36146-006	Contactora	024-26577-000	3
39	2		Surge Suppressor	031-00808-000	3
39	3		Overload Relay	024-33134-000	1
39	4		Transformer	025-38326-000	1
39	5		Fuse	Contact York Service	2
39	6		Fuse	Contact York Service	1
40	1	325-36146-007	Contactora	024-31642-000	3
40	2		Surge Suppressor	031-00808-000	3
40	3		Overload Relay	024-33129-000	1
40	4		Transformer	025-38328-000	1
40	5		Fuse	025-37611-000	2
40	6		Fuse	025-37626-000	1
37	1	325-36146-008	Contactora	025-31886-000	3
37	2		Surge Suppressor	031-02101-000	3
37	3		Overload Relay	029-23460-000	1
37	4		Transformer	Contact York Service	1
37	5		Fuse	025-38300-000	2
37	6		Fuse	Contact York Service	1

**TABLE 43 - VFD BYPASS BOX REPLACEMENT PARTS, OLD STYLE**

FIGURE	ITEM	VFD BYPASS BOX PART NUMBER	PART DESCRIPTION	PART NUMBER	QUANTITY
42	1	325-36146-009	Contactora	024-33130-000	3
42	2		Surge Suppressor	031-02101-000	3
42	3		Overload Relay	029-23466-000	1
42	4		Transformer	Contact York Service	1
42	5		Fuse	025-38300-000	2
42	6		Fuse	Contact York Service	1
42	1	325-36146-010	Contactora	025-35691-000	3
42	2		Surge Suppressor	031-02101-000	3
42	3		Overload Relay	029-23461-000	1
42	4		Transformer	Contact York Service	1
42	5		Fuse	025-38300-000	2
42	6		Fuse	Contact York Service	1
42	1	325-36146-011	Contactora	025-35692-000	3
42	2		Surge Suppressor	031-02101-000	3
42	3		Overload Relay	029-23462-000	1
42	4		Transformer	Contact York Service	1
42	5		Fuse	025-38300-000	2
42	6		Fuse	Contact York Service	1
43	1	325-36146-012	Contactora	024-31109-000	3
43	2		Surge Suppressor	031-02203-000	3
43	3		Overload Relay	Contact York Service	1
43	4		Transformer	Contact York Service	1
43	5		Fuse	025-38300-000	2
43	6		Fuse	Contact York Service	1
43	1	325-36146-013	Contactora	024-31110-000	3
43	2		Surge Suppressor	031-02203-000	3
43	3		Overload Relay	024-33133-000	1
43	4		Transformer	Contact York Service	1
43	5		Fuse	025-38300-000	2
43	6		Fuse	Contact York Service	1
44	1	325-36146-014	Contactora	024-26577-000	3
44	2		Surge Suppressor	031-00808-000	3
44	3		Overload Relay	024-33134-000	1
44	4		Transformer	Contact York Service	1
44	5		Fuse	025-38300-000	2
44	6		Fuse	Contact York Service	1
41	1	325-36146-015	Contactora	024-33135-000	3
41	2		Surge Suppressor	031-02101-000	3
41	3		Overload Relay	029-23458-000	1
41	4		Transformer	Contact York Service	1
41	5		Fuse	Contact York Service	2
41	6		Fuse	Contact York Service	1
41	1	325-36146-016	Contactora	024-33128-000	3
41	2		Surge Suppressor	031-02101-000	3
41	3		Overload Relay	029-23465-000	1
41	4		Transformer	Contact York Service	1
41	5		Fuse	Contact York Service	2
41	6		Fuse	Contact York Service	1

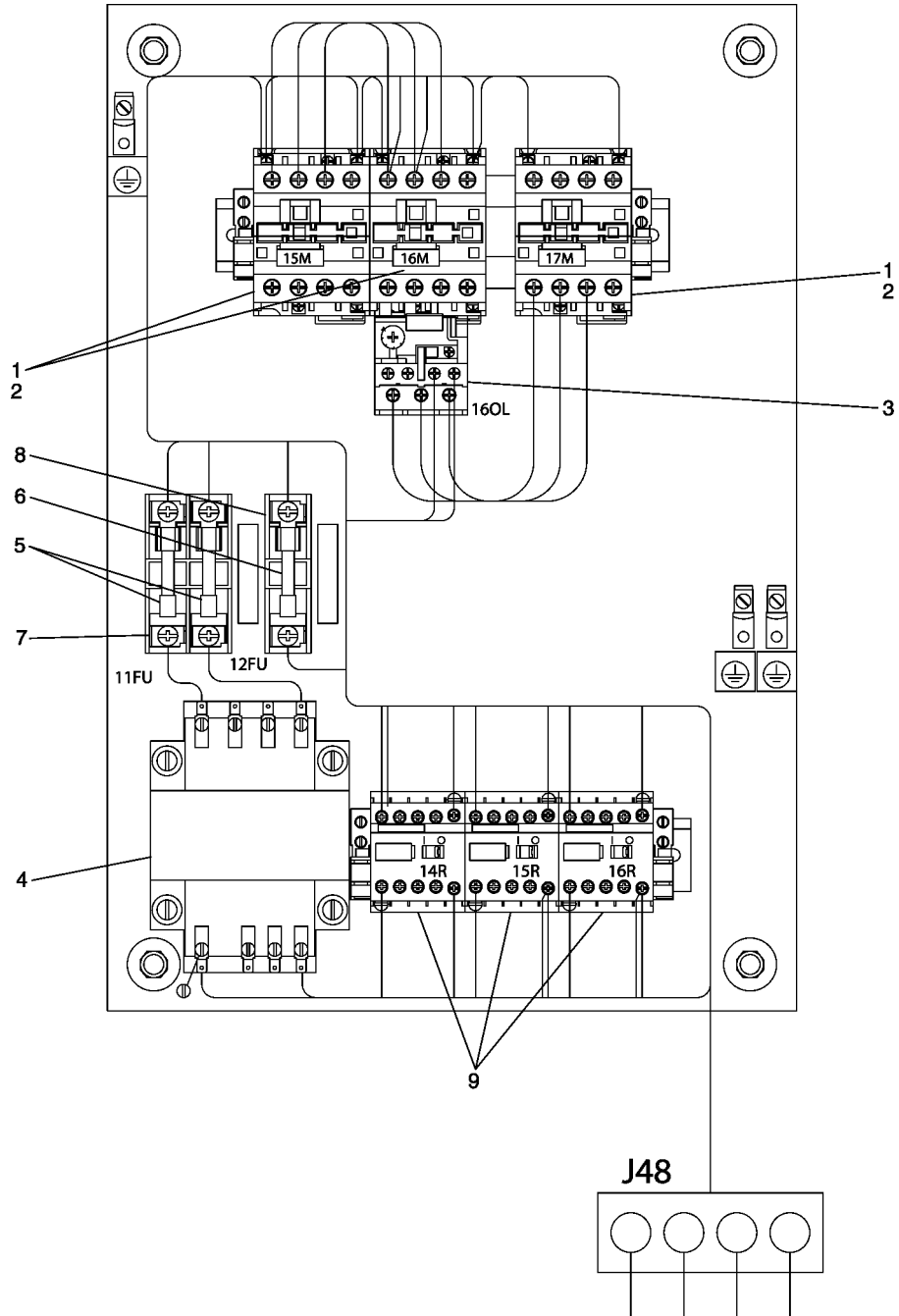
**TABLE 43 - VFD BYPASS BOX REPLACEMENT PARTS, OLD STYLE**

FIGURE	ITEM	VFD BYPASS BOX PART NUMBER	PART DESCRIPTION	PART NUMBER	QUANTITY
42	1	325-36146-017	Contactora	025-31886-000	3
42	2		Surge Suppressor	031-02101-000	3
42	3		Overload Relay	029-23460-000	1
42	4		Transformer	Contact York Service	1
42	5		Fuse	025-37698-000	2
42	6		Fuse	Contact York Service	1
42	1	325-36146-018	Contactora	024-33130-000	3
42	2		Surge Suppressor	031-02101-000	3
42	3		Overload Relay	029-23466-000	1
42	4		Transformer	Contact York Service	1
42	5		Fuse	025-37698-000	2
42	6		Fuse	Contact York Service	1
42	1	325-36146-019	Contactora	025-35691-000	3
42	2		Surge Suppressor	031-02101-000	3
42	3		Overload Relay	029-23461-000	1
42	4		Transformer	Contact York Service	1
42	5		Fuse	025-37698-000	2
42	6		Fuse	Contact York Service	1
42	1	325-36146-020	Contactora	025-35692-000	3
42	2		Surge Suppressor	031-02101-000	3
42	3		Overload Relay	029-23462-000	1
42	4		Transformer	Contact York Service	1
42	5		Fuse	025-37698-000	2
42	6		Fuse	Contact York Service	1
43	1	325-36146-021	Contactora	024-31109-000	3
43	2		Surge Suppressor	031-02203-000	3
43	3		Overload Relay	Contact York Service	1
43	4		Transformer	Contact York Service	1
43	5		Fuse	025-37698-000	2
43	6		Fuse	Contact York Service	1
41	1	325-36146-022	Contactora	024-26954-000	3
41	2		Surge Suppressor	031-02101-000	3
41	3		Overload Relay	029-23474-000	1
41	4		Transformer	Contact York Service	1
41	5		Fuse	025-38307-000	2
41	6		Fuse	Contact York Service	1
41	1	325-36146-023	Contactora	024-33135-000	3
41	2		Surge Suppressor	031-02101-000	3
41	3		Overload Relay	029-23458-000	1
41	4		Transformer	Contact York Service	1
41	5		Fuse	025-38307-000	2
41	6		Fuse	Contact York Service	1
41	1	325-36146-024	Contactora	024-33128-000	3
41	2		Surge Suppressor	031-02101-000	3
41	3		Overload Relay	029-23465-000	1
41	4		Transformer	Contact York Service	1
41	5		Fuse	025-38307-000	2
41	6		Fuse	Contact York Service	1

**TABLE 43 - VFD BYPASS BOX REPLACEMENT PARTS, OLD STYLE**

FIGURE	ITEM	VFD BYPASS BOX PART NUMBER	PART DESCRIPTION	PART NUMBER	QUANTITY
42	1	325-36146-025	Contactora	025-31886-000	3
42	2		Surge Suppressor	031-02101-000	3
42	3		Overload Relay	029-23460-000	1
42	4		Transformer	Contact York Service	1
42	5		Fuse	Contact York Service	2
42	6		Fuse	Contact York Service	1
42	1	325-36146-026	Contactora	024-33130-000	3
42	2		Surge Suppressor	031-02101-000	3
42	3		Overload Relay	029-23466-000	1
42	4		Transformer	Contact York Service	1
42	5		Fuse	Contact York Service	2
42	6		Fuse	Contact York Service	1
42	1	325-36146-027	Contactora	025-35691-000	3
42	2		Surge Suppressor	031-02101-000	3
42	3		Overload Relay	029-23461-000	1
42	4		Transformer	Contact York Service	1
42	5		Fuse	Contact York Service	2
42	6		Fuse	Contact York Service	1
42	1	325-36146-028	Contactora	025-35692-000	3
42	2		Surge Suppressor	031-02101-000	3
42	3		Overload Relay	029-23462-000	1
42	4		Transformer	Contact York Service	1
42	5		Fuse	Contact York Service	2
42	6		Fuse	Contact York Service	1
45	1	325-36146-029	Contactora	024-31638-000	3
45	2		Surge Suppressor	031-00808-000	3
45	3		Overload Relay	Contact York Service	1
45	4		Transformer	025-38328-000	1
45	5		Fuse	025-37611-000	2
45	6		Fuse	025-37626-000	1
45	1	325-36146-030	Contactora	024-31642-000	3
45	2		Surge Suppressor	031-00808-000	3
45	3		Overload Relay	024-33129-000	1
45	4		Transformer	Contact York Service	1
45	5		Fuse	025-35911-000	2
45	6		Fuse	025-38304-000	1
41-45	7	All	Fuseblock	025-34427-000	1
	8		Fuseblock	025-37601-000	1
	9		Control Relay	024-31885-000	3
*	Selector Switch		028-14329-000	1	
*	Contact Block		028-14330-000	3	

\*Item not shown (located on main power/control panel).



**FIGURE 36 - VFD BYPASS BOX REPLACEMENT PARTS, OLD STYLE (17-25 MOTOR FLA)**

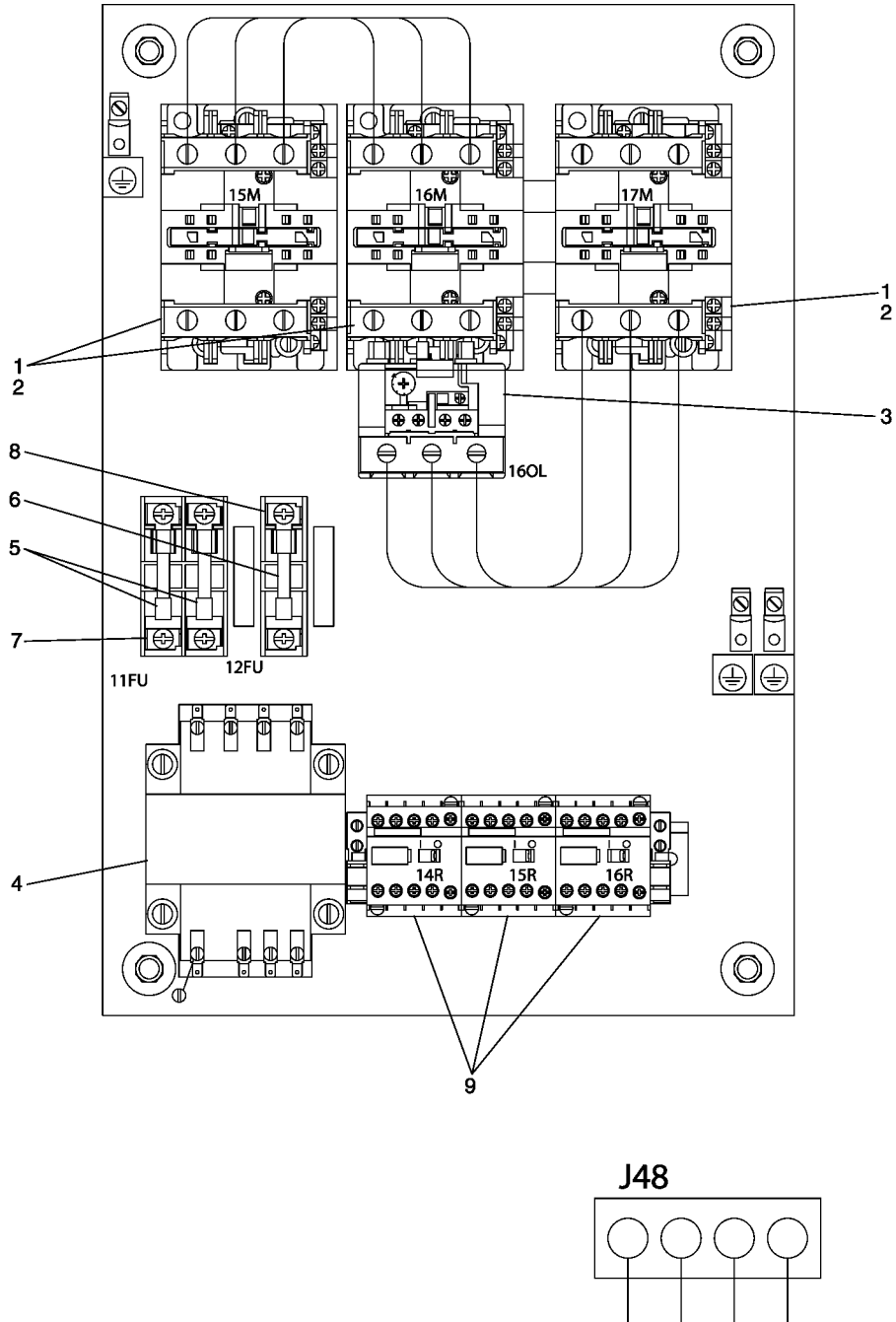
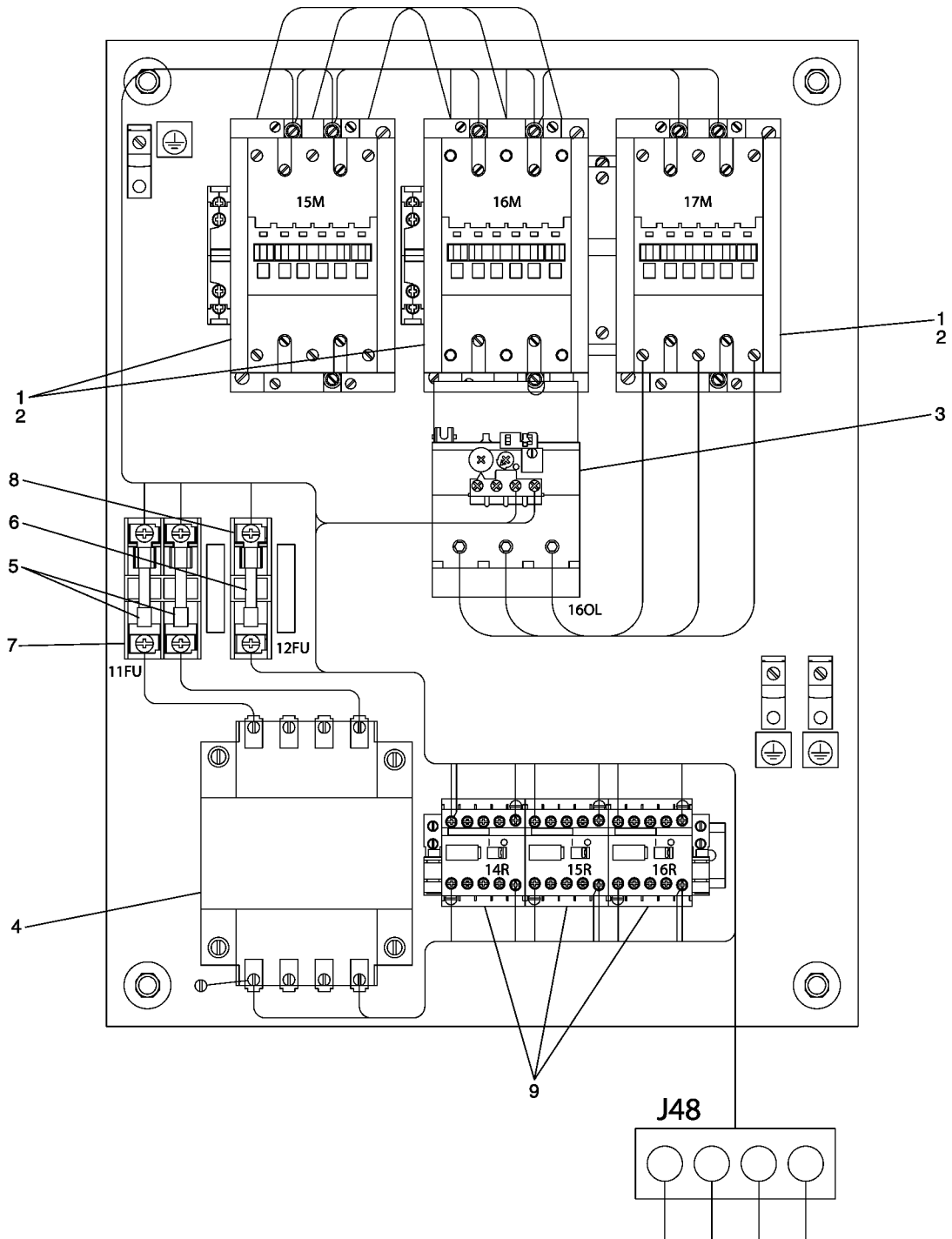


FIGURE 37 - VFD BYPASS BOX REPLACEMENT PARTS, OLD STYLE (32-65 MOTOR FLA)



**FIGURE 38 - VFD BYPASS BOX REPLACEMENT PARTS, OLD STYLE (80-110 MOTOR FLA)**

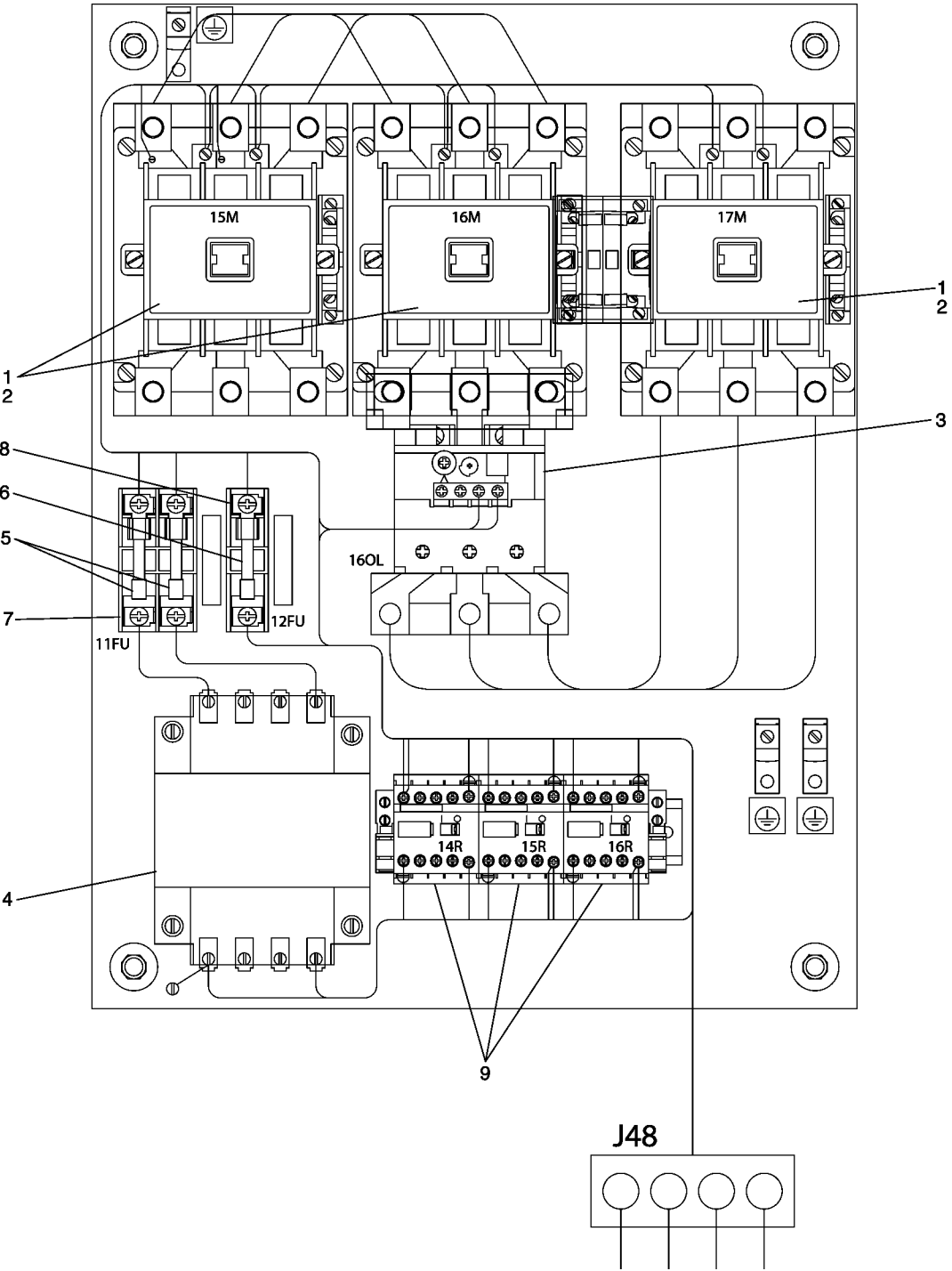
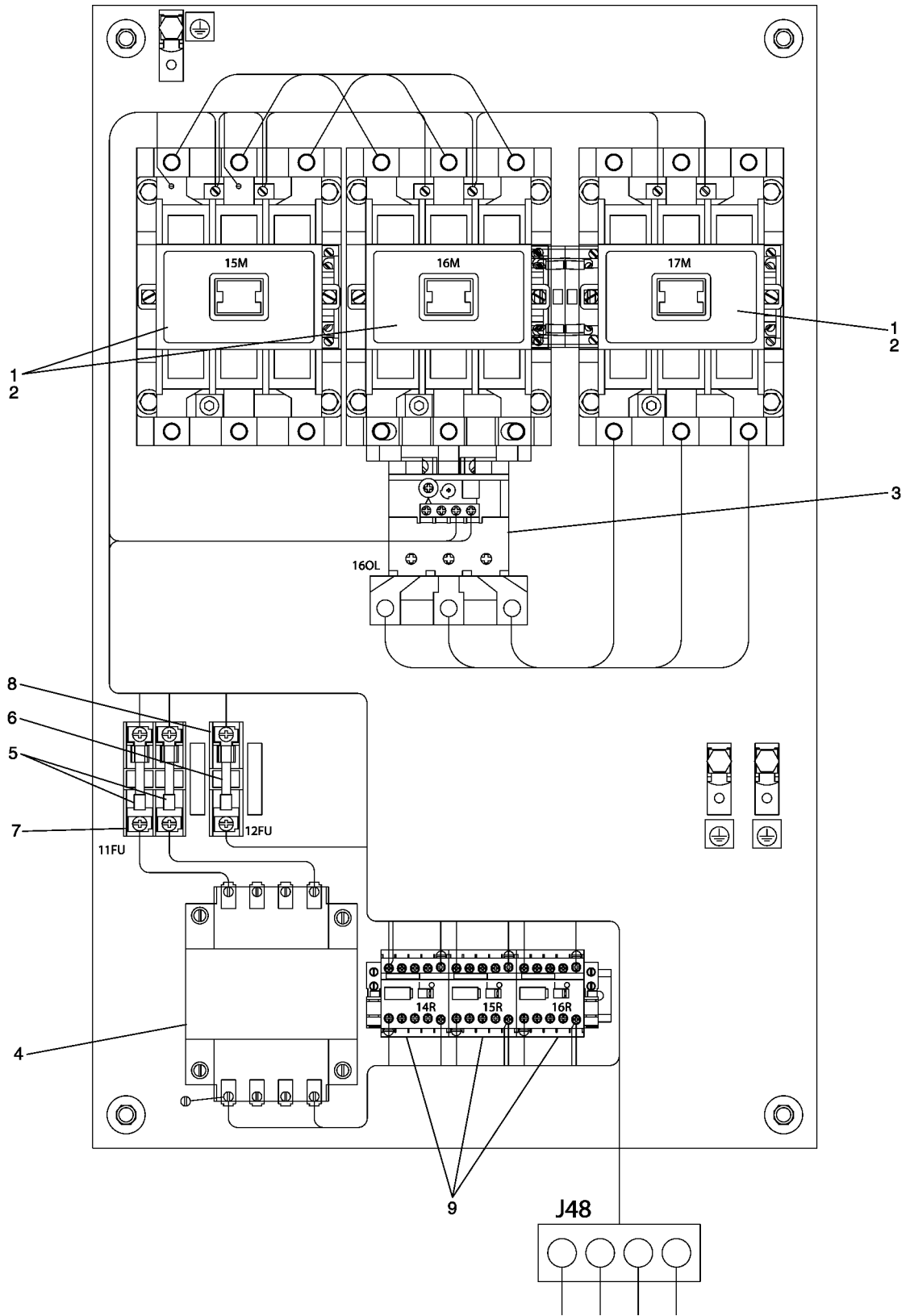


FIGURE 39 - VFD BYPASS BOX REPLACEMENT PARTS, OLD STYLE (110-150 MOTOR FLA)

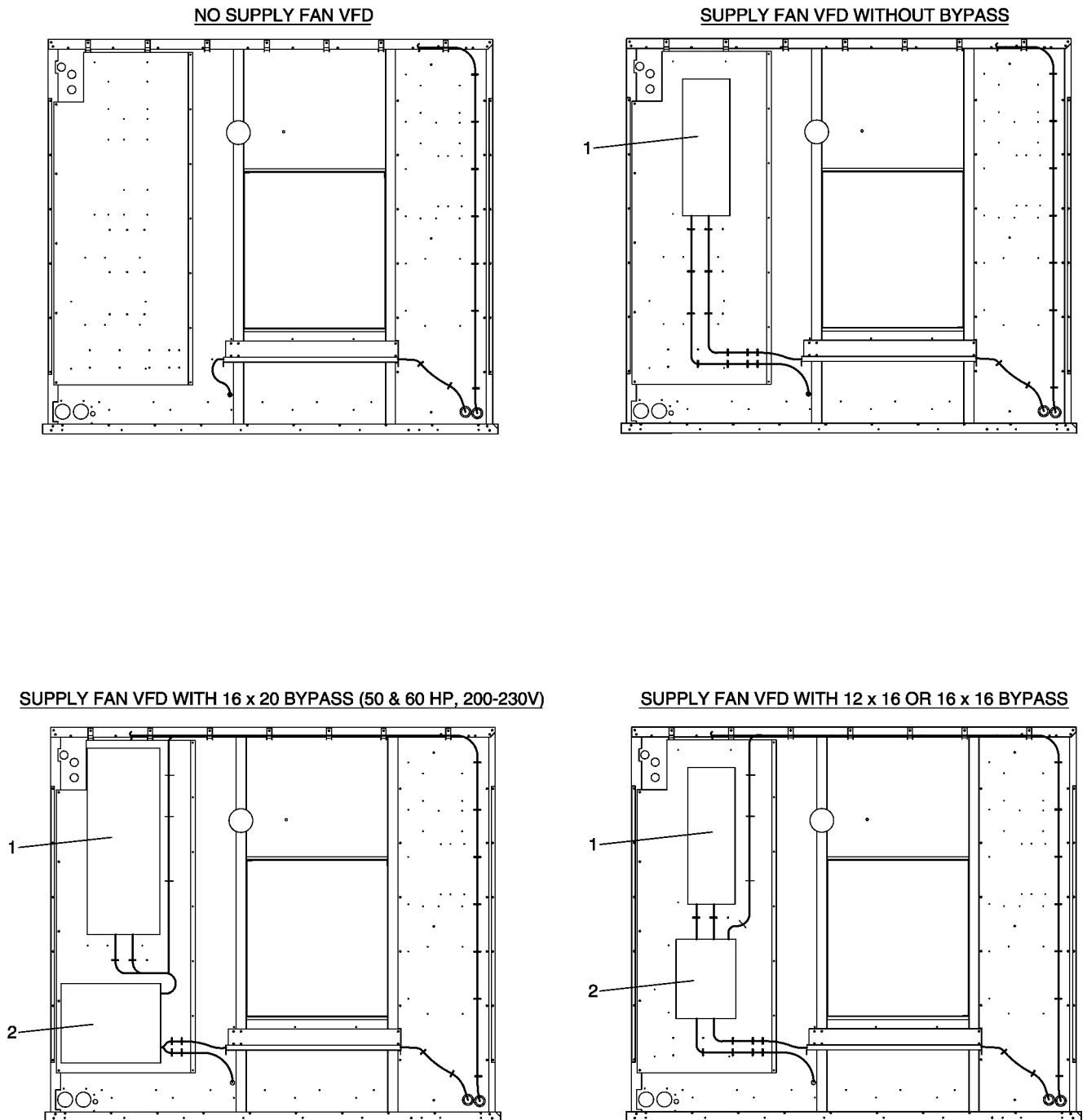


**FIGURE 40 - VFD BYPASS BOX REPLACEMENT PARTS, OLD STYLE (150-200 MOTOR FLA)**

**TABLE 44 - SUPPLY FAN MOTOR VFD BYPASS BOXES, NEW STYLE**

FIGURE	ITEM	UNIT SIZE	MOTOR HP	PART NUMBER				
				200 VOLTS (60 HERTZ)	230 VOLTS (60 HERTZ)	460 VOLTS (60 HERTZ)	575 VOLTS (60 HERTZ)	400 VOLTS (50 HERTZ) 380 VOLTS (60 HERTZ)
41	2	50-65	10	325-36321-006	325-36321-005	325-36321-003	325-36321-002	325-36321-003
41	2	50-95	15	325-36321-007	325-36321-007	325-36321-004	325-36321-003	325-36321-005
41	2		20	325-36321-008	325-36321-008	325-36321-004	325-36321-004	325-36321-006
41	2		25	325-36321-009	325-36321-009	325-36321-005	325-36321-005	325-36321-007
41	2		30	325-36321-010	325-36321-010	325-36321-006	325-36321-006	325-36321-008
41	2		40	325-36321-011	325-36321-010	325-36321-007	325-36321-007	325-36321-009
41	2	70-95	50	325-36321-012	325-36321-011	325-36321-008	325-36321-008	325-36321-009
41	2		60	325-36321-012	325-36321-012	325-36321-009	325-36321-008	325-36321-010

See Table 51 for VFD Bypass Box Replacement Parts, New Style.



**FIGURE 41 - SUPPLY FAN MOTOR VFD AND VFD BYPASS BOX, NEW STYLE (50-95 TONS)**

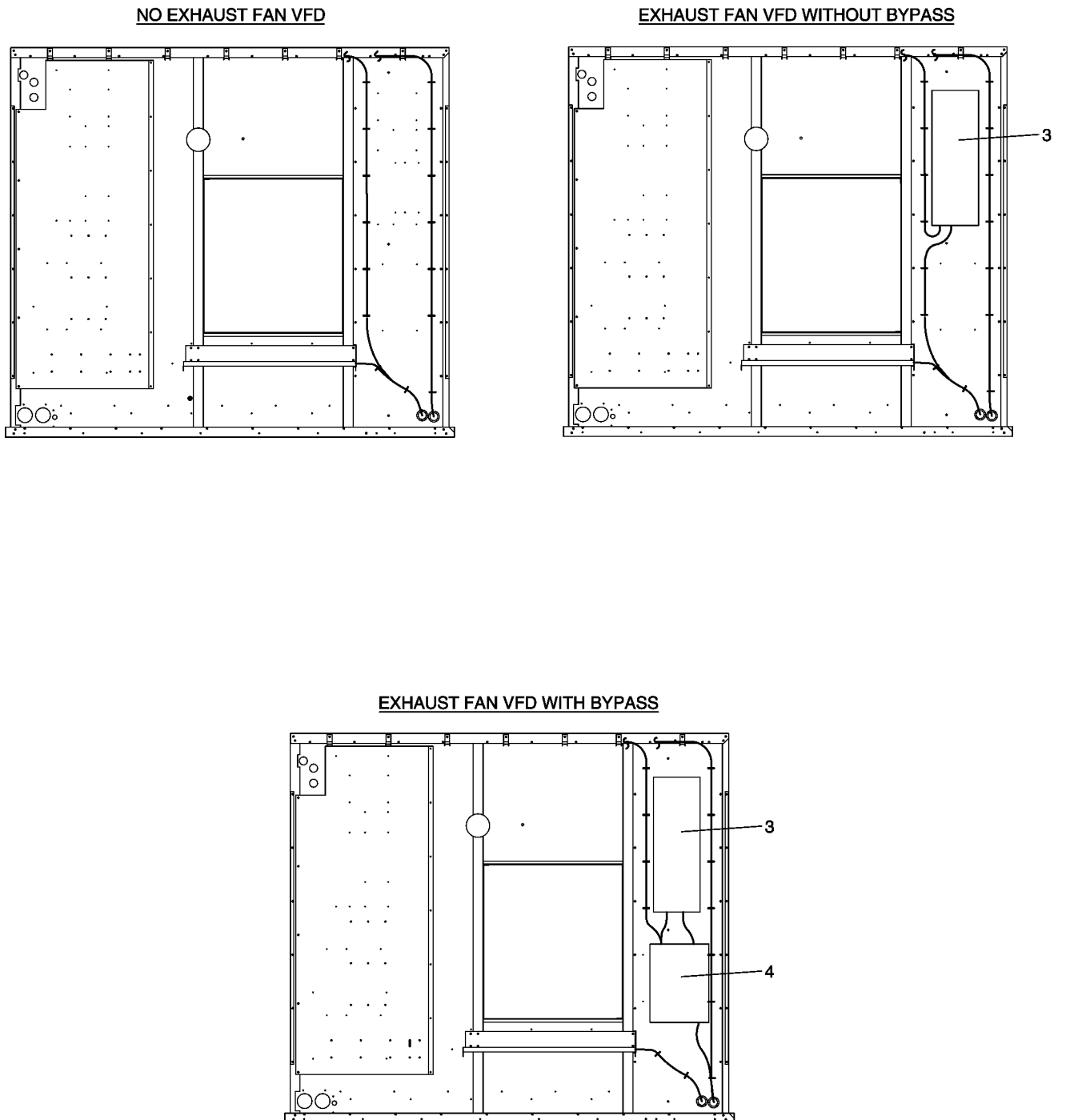
**TABLE 45 - EXHAUST FAN MOTOR VARIABLE FREQUENCY DRIVES**

FIGURE	ITEM	UNIT SIZE	MOTOR HP	PART NUMBER				
				200-230 VOLTS (60 HERTZ)	460 VOLTS (60 HERTZ)	575 VOLTS (60 HERTZ)	400 VOLTS (50 HERTZ)	380 VOLTS (60 HERTZ)
35, 42	3	50-95	5	025-36261-003	025-36263-003	025-36265-000	025-36263-003	025-36263-003
35, 42	3		7.5	025-36261-004	025-36263-004	025-36265-001	025-36263-005	025-36263-005
35, 42	3		10	025-36261-005	025-36263-005	025-36265-002	025-36263-006	025-36263-006
35, 42	3		15	025-36261-006	025-36263-006	025-36265-003	025-36263-007	025-36263-007
35, 42	3		20	025-36261-007	025-36263-007	025-36265-004	025-36263-008	025-36263-008
35, 42	3	70-95	25	025-36261-008	025-36263-008	025-36265-005	025-36263-009	025-36263-009
35, 42	3		30	025-36261-009	025-36263-009	025-36265-006	025-36263-010	025-36263-010

**TABLE 46 - EXHAUST FAN MOTOR VFD BYPASS BOXES**

FIGURE	ITEM	UNIT SIZE	MOTOR HP	PART NUMBER				
				200-230 VOLTS (60 HERTZ)	460 VOLTS (60 HERTZ)	575 VOLTS (60 HERTZ)	400 VOLTS (50 HERTZ)	380 VOLTS (60 HERTZ)
42	4	50-95	5	NA	325-36321-001	325-36321-001	325-36321-002	325-36321-002
42	4		7.5	NA	325-36321-002	325-36321-001	325-36321-003	325-36321-003
42	4		10	NA	325-36321-003	325-36321-002	325-36321-003	325-36321-003
42	4		15	NA	325-36321-004	325-36321-003	325-36321-005	325-36321-005
42	4		20	NA	325-36321-004	325-36321-004	325-36321-006	325-36321-006
42	4	70-95	25	NA	325-36321-005	325-36321-005	325-36321-007	325-36321-007
42	4		30	NA	325-36321-006	325-36321-006	325-36321-008	325-36321-008

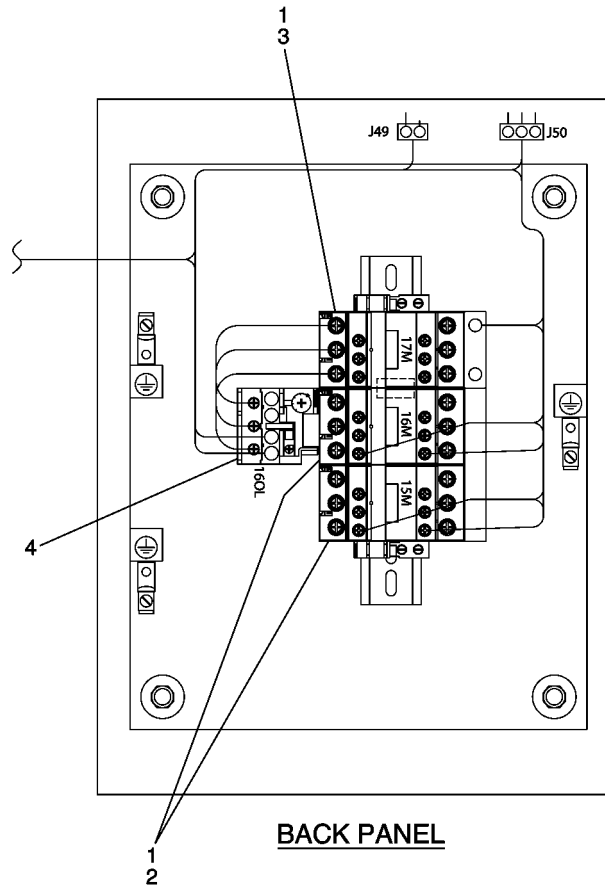
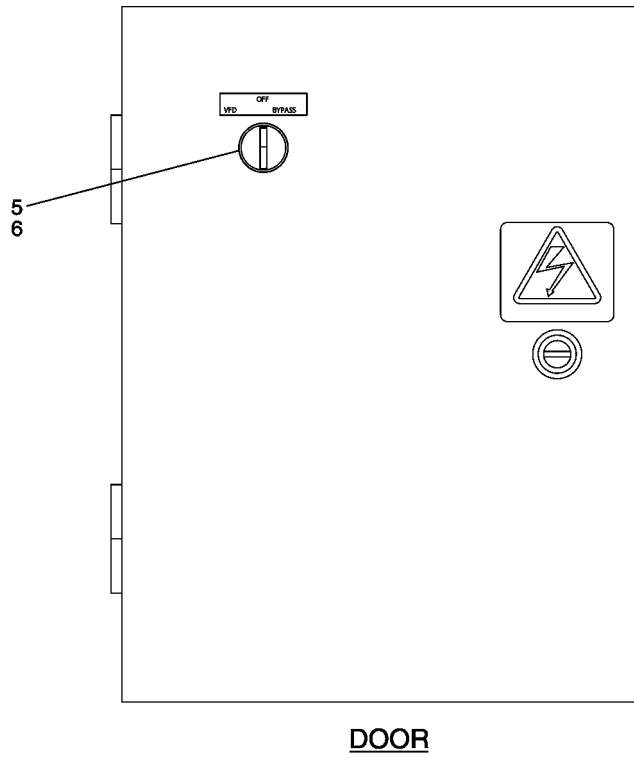
See Table 51 for VFD Bypass Box Replacement Parts, New Style.



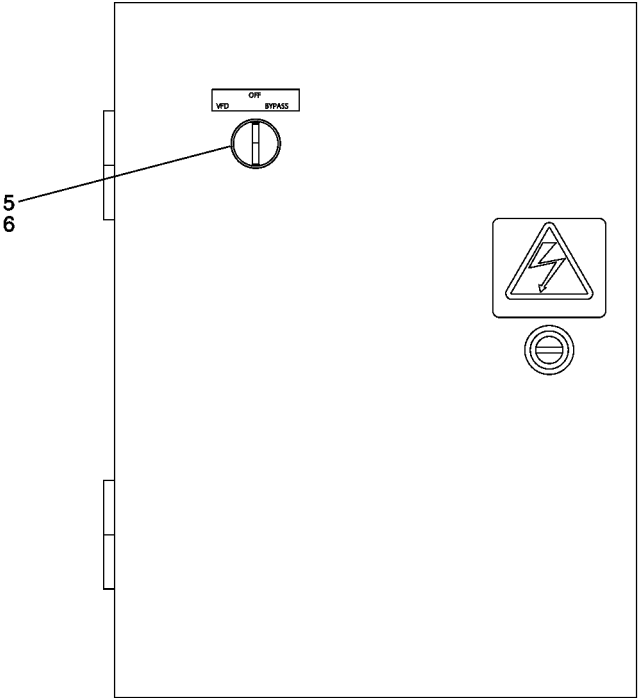
**FIGURE 42 - EXHAUST FAN MOTOR VFD AND VFD BYPASS BOX, NEW STYLE (50-95 TONS)**

**TABLE 47 - VFD BYPASS BOX REPLACEMENT PARTS, NEW STYLE**

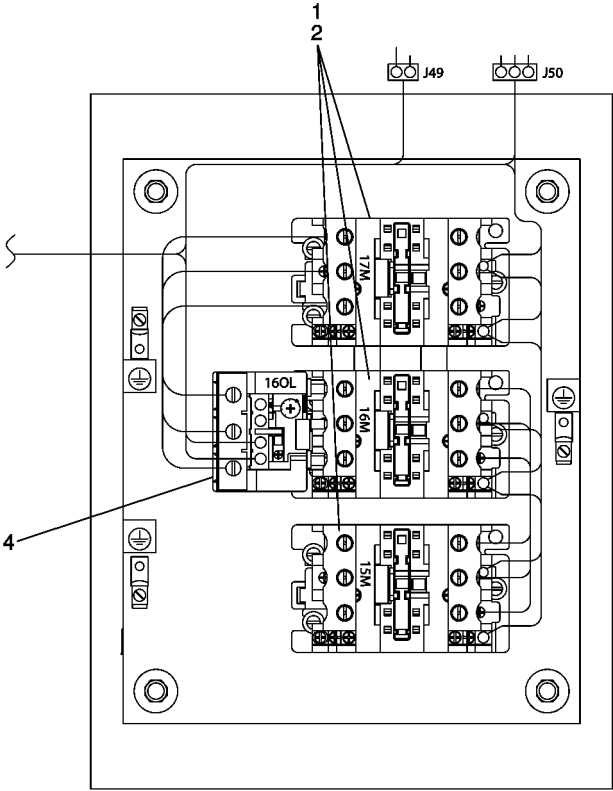
FIGURE	ITEM	VFD BYPASS BOX PART NUMBER	PART DESCRIPTION	PART NUMBER	QUANTITY
43	1	325-36321-001	Contactors	024-34300-000	3
43	2		Surge Suppressor	031-02106-000	2
43	3		Surge Suppressor	031-02104-000	1
43	4		Overload Relay	024-34321-000	1
43	1	325-36321-002	Contactors	024-34304-000	3
43	2		Surge Suppressor	031-02106-000	2
43	3		Surge Suppressor	031-02104-000	1
43	4		Overload Relay	024-34322-000	1
43	1	325-36321-003	Contactors	024-34305-000	3
43	2		Surge Suppressor	031-02106-000	2
43	3		Surge Suppressor	031-02104-000	1
43	4		Overload Relay	024-34323-000	1
43	1	325-36321-004	Contactors	024-34306-000	3
43	2		Surge Suppressor	031-02106-000	2
43	3		Surge Suppressor	031-02104-000	1
43	4		Overload Relay	024-34324-000	1
44	1	325-36321-005	Contactors	024-34307-000	3
44	2		Surge Suppressor	031-02101-000	3
44	4		Overload Relay	024-34325-000	1
44	1	325-36321-006	Contactors	024-34308-000	3
44	2		Surge Suppressor	031-02101-000	3
44	4		Overload Relay	024-34326-000	1
44	1	325-36321-007	Contactors	024-34309-000	3
44	2		Surge Suppressor	031-02101-000	3
44	4		Overload Relay	024-34327-000	1
45	1	325-36321-008	Contactors	024-34310-000	3
45	2		Surge Suppressor	031-02101-000	3
45	4		Overload Relay	024-34328-000	1
46	1	325-36321-009	Contactors	024-31109-000	3
46	2		Surge Suppressor	031-02203-000	3
46	4		Overload Relay	024-34329-000	1
46	1	325-36321-010	Contactors	024-31110-000	3
46	2		Surge Suppressor	031-02203-000	3
46	4		Overload Relay	024-33133-000	1
47	1	325-36321-011	Contactors	024-31891-000	3
47	2		Surge Suppressor	031-02203-000	3
47	4		Overload Relay	024-34295-000	1
47	1	325-36321-012	Contactors	024-31892-000	3
47	2		Surge Suppressor	031-02203-000	3
47	4		Overload Relay	024-34296-000	1
43-47	5	All	Selector Switch	028-14329-000	1
	6		Contact Block	028-14330-000	3



**FIGURE 43 - VFD BYPASS BOX REPLACEMENT PARTS, NEW STYLE (6-25 MOTOR FLA)**

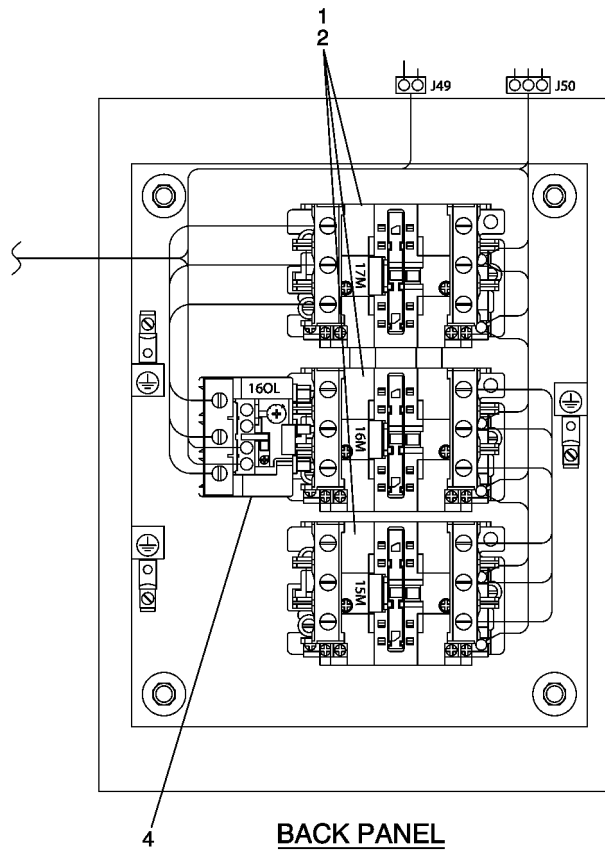
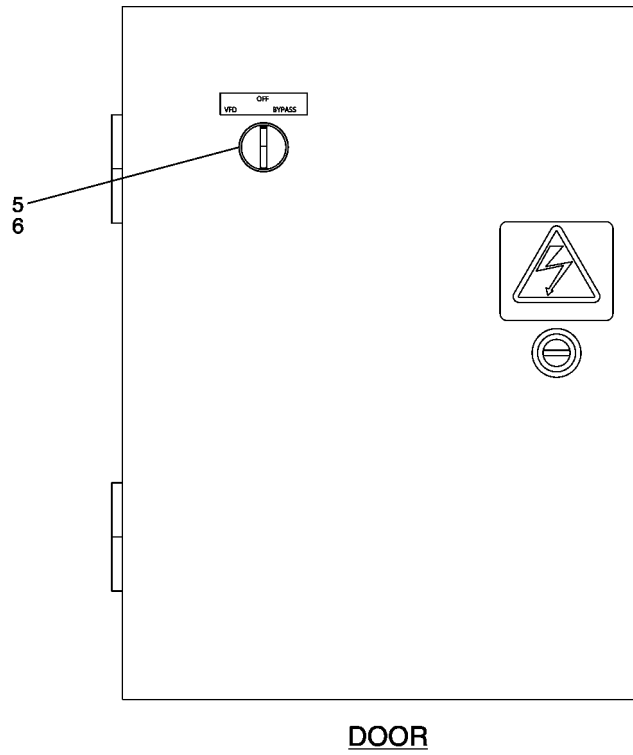


DOOR

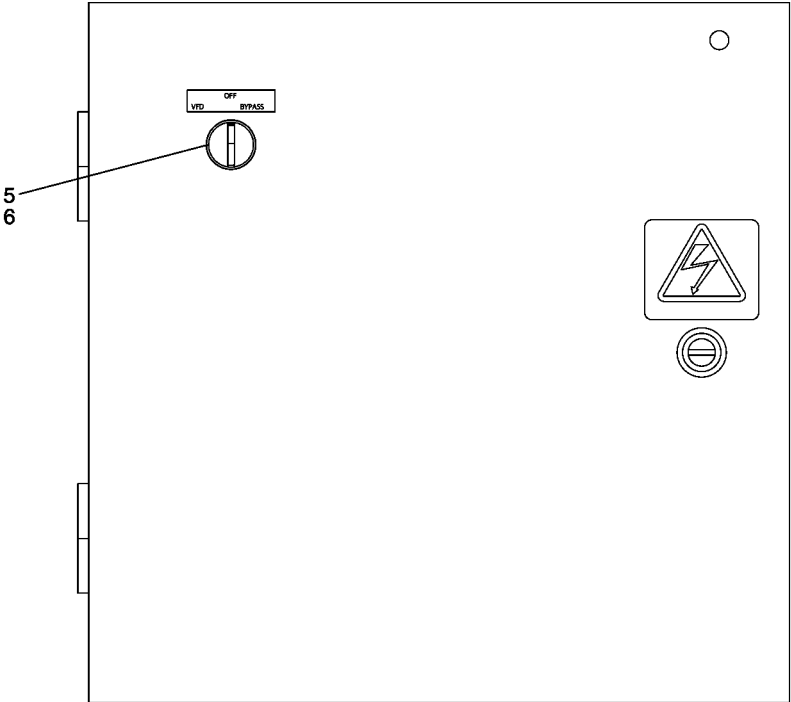


BACK PANEL

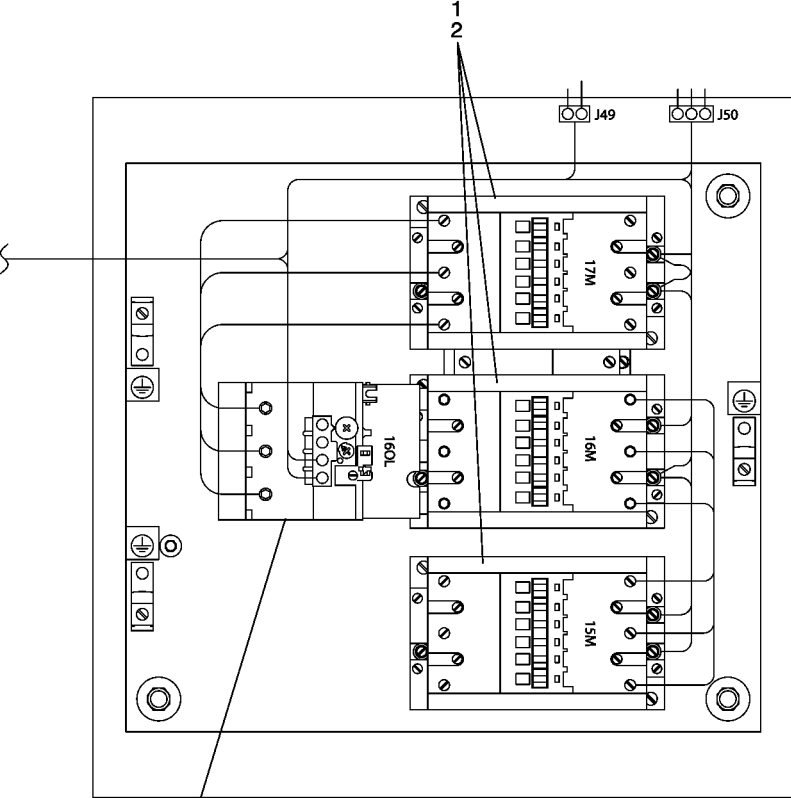
**FIGURE 44 - VFD BYPASS BOX REPLACEMENT PARTS, NEW STYLE (23-50 MOTOR FLA)**



**FIGURE 45 - VFD BYPASS BOX REPLACEMENT PARTS, NEW STYLE (48-65 MOTOR FLA)**

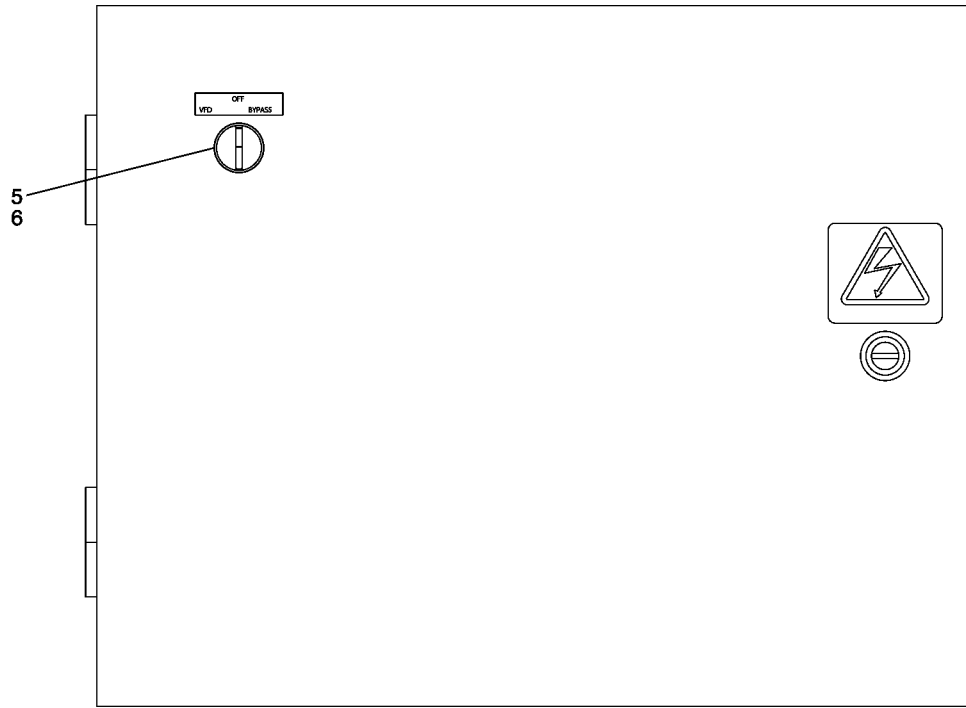


**DOOR**

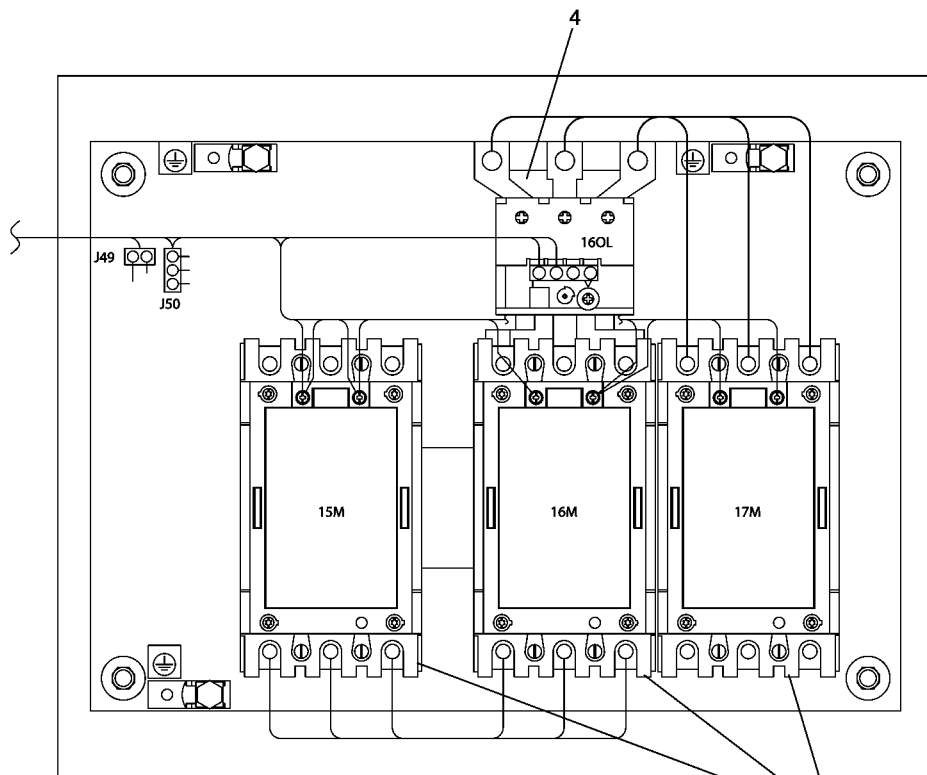


**BACK PANEL**

**FIGURE 46 - VFD BYPASS BOX REPLACEMENT PARTS, NEW STYLE (60-110 MOTOR FLA)**



**DOOR**



**BACK PANEL**

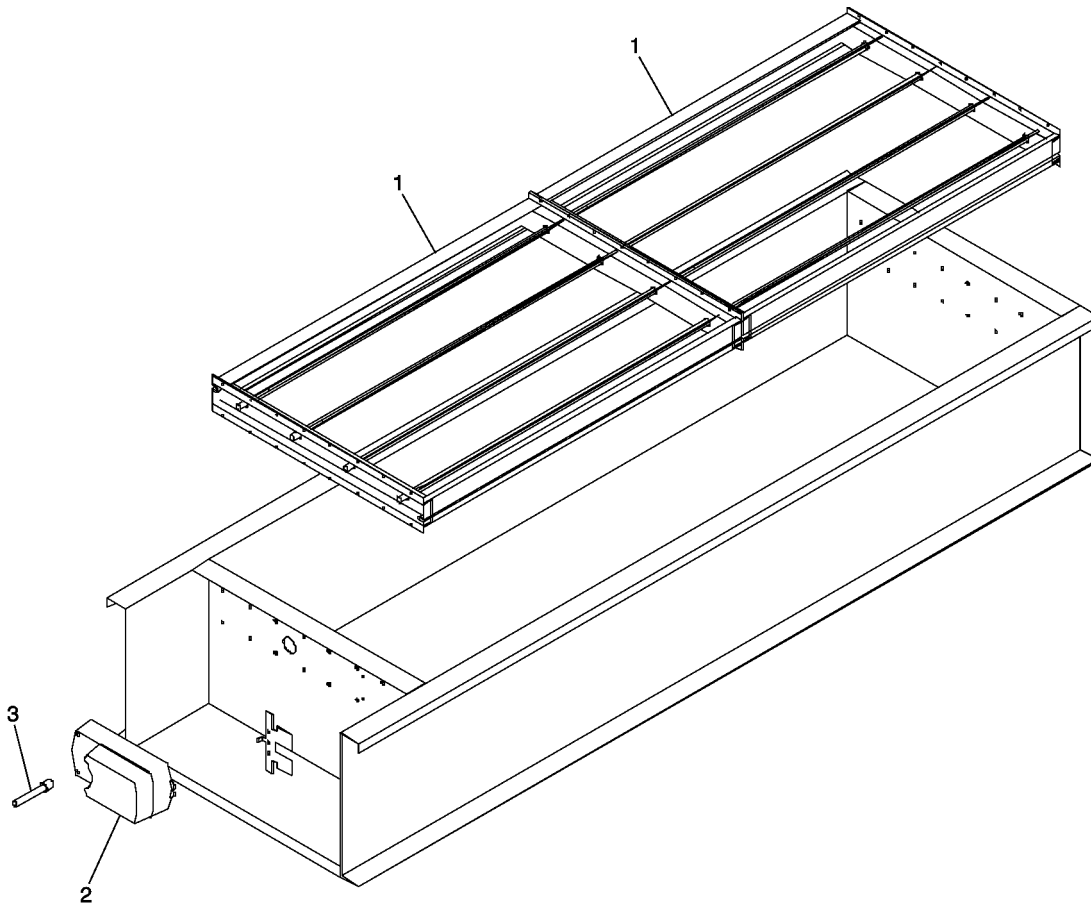
**FIGURE 47 - VFD BYPASS BOX REPLACEMENT PARTS, NEW STYLE (110-200 MOTOR FLA)**

**TABLE 48 - FLEXSYS BYPASS DAMPERS AND ACTUATORS**

FIGURE	ITEM	UNIT SIZE	DESCRIPTION	PART NUMBER
48	1	50-65	Control Damper, 36" x 24"	026-36432-001
48	1	70-85	Control Damper, 36" x 30"	026-36432-002
48	1	90-95	Control Damper, 36" x 36"	026-36432-003
*		50-95	Damper Coupling Kit <sup>1</sup>	026-36391-005
48	2		Actuator, JCI	025-35774-016
48	2		Actuator, Belimo	025-30958-009
48	3		Blade Pin Extension	026-36428-000

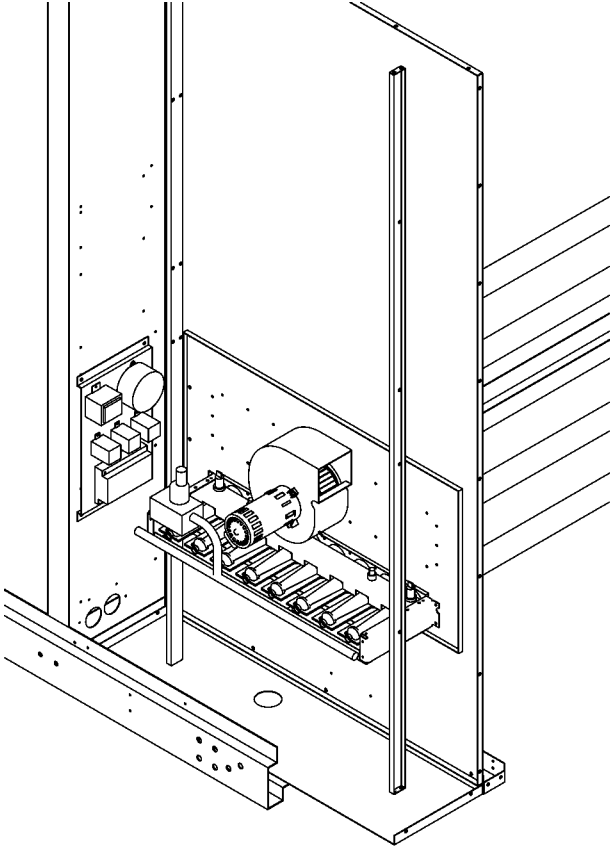
\*Item not shown.

<sup>1</sup>Damper coupling kit is required whenever replacement dampers are ordered.

**FIGURE 48 - FLEXSYS BYPASS DAMPERS AND ACTUATORS (50-95 TONS)**

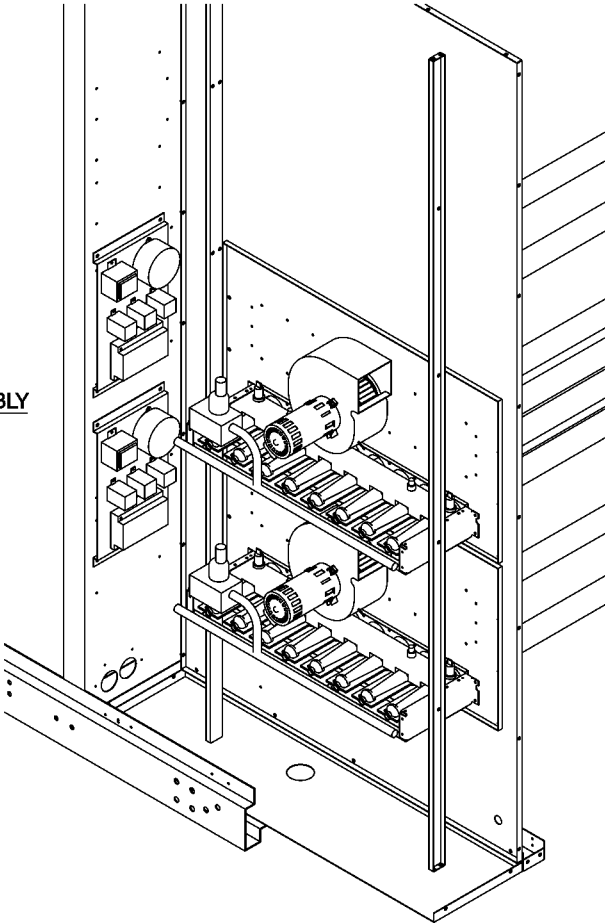
**TABLE 49 - STAGED GAS HEAT PARTS**

<b>FIGURE</b>	<b>ITEM</b>	<b>DESCRIPTION</b>	<b>PART NUMBER</b>
51	1	Heat Exchanger Assembly, Aluminized Steel	026-36442-000
51	1	Heat Exchanger Assembly, Stainless Steel	026-36441-000
51	2	Burner, Natural Gas	026-36440-000
51	2	Burner, Propane	026-40812-000
51	3	Orifice, Natural Gas	023-20077-000
51	3	Orifice, Propane	023-21644-000
51	4	Manifold	029-22038-000
51	5	Propane Gas Valve Conversion Kit	025-35723-000
51	5	Gas Valve, Propane	025-36311-000
51	6	Combustion Blower Motor/Fan	026-36401-000
51	7	Flame Sensor	025-36314-000
51	8	Spark Ignitor	025-36313-000
51	9	Roll-Out Switch	025-36315-000
51	10	High Temperature Limit Switch, 150 Degrees F	025-37507-001
51	11	Air Proving Switch	025-36379-001
51	12	Transformer	025-18452-000
51	13	Relay, 24 VAC, DPDT	024-33137-000
51	14	Ignition Control	025-36386-000
51	15	Ignition Cable	025-37509-000
51	16	High Temperature Limit Switch, 140 Degrees F	025-36312-000

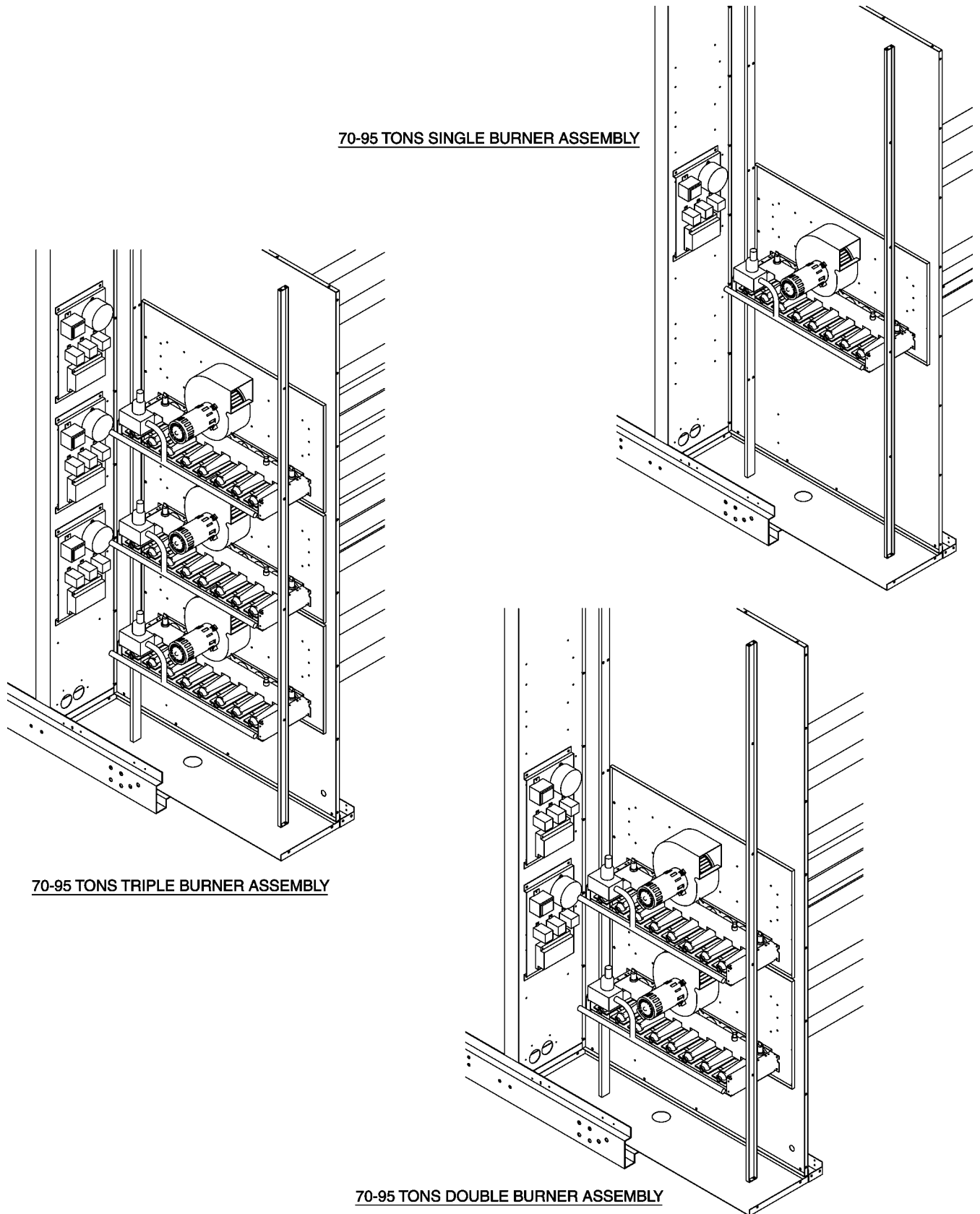


50-65 TONS SINGLE BURNER ASSEMBLY

50-65 TONS DOUBLE BURNER ASSEMBLY



**FIGURE 49 - STAGED GAS HEAT ARRANGEMENTS (50-65 TONS)**



**FIGURE 50 - STAGED GAS HEAT ARRANGEMENTS (70-95 TONS)**

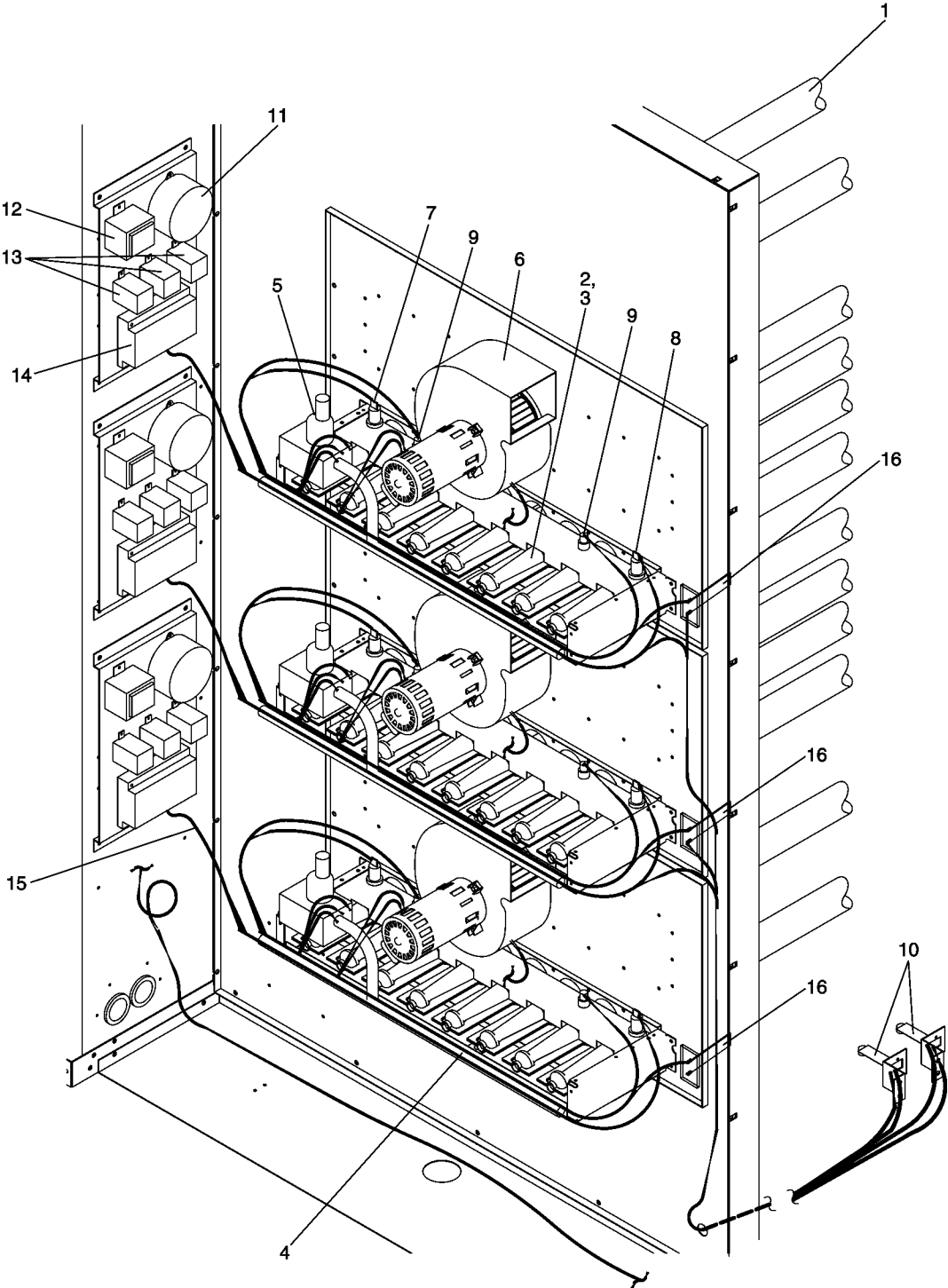


FIGURE 51 - STAGED GAS HEAT PARTS (70-95 TONS)

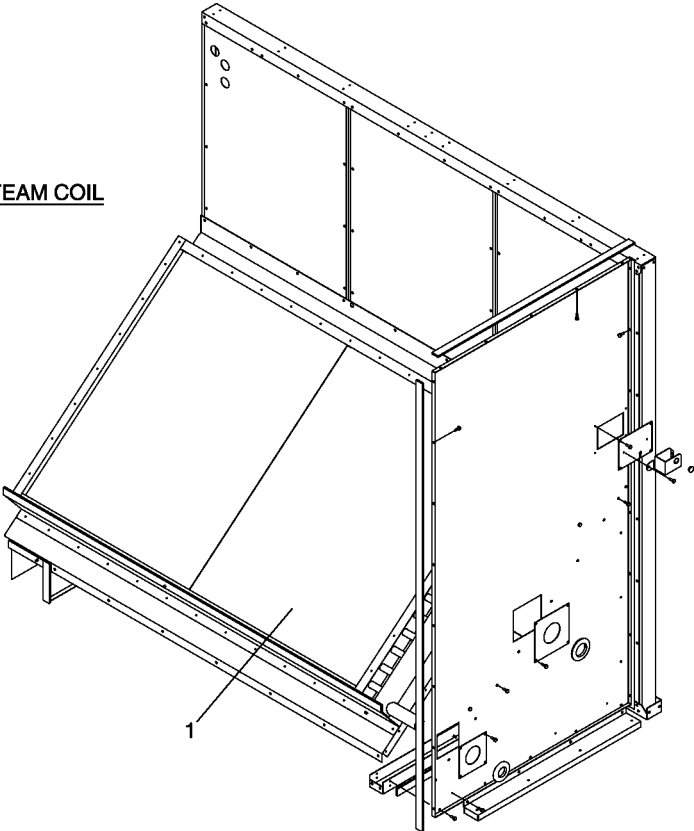
**TABLE 50 - HOT WATER HEAT COILS**

FIGURE	ITEM	UNIT SIZE	TUBES HIGH	ROWS DEEP	FINS PER INCH	PART NUMBER
52	2	50-65	34	2	8	026-36434-100
52	2				10	026-36434-101
52	2				12	026-36434-102
52	2				14	026-36434-103
52	2				11	026-36434-104
52	2	70-85	36	2	8	026-36434-200
52	2				10	026-36434-201
52	2				12	026-36434-202
52	2				14	026-36434-203
52	2	90-95	42	2	8	026-36434-300
52	2				10	026-36434-301
52	2				12	026-36434-302
52	2				14	026-36434-303

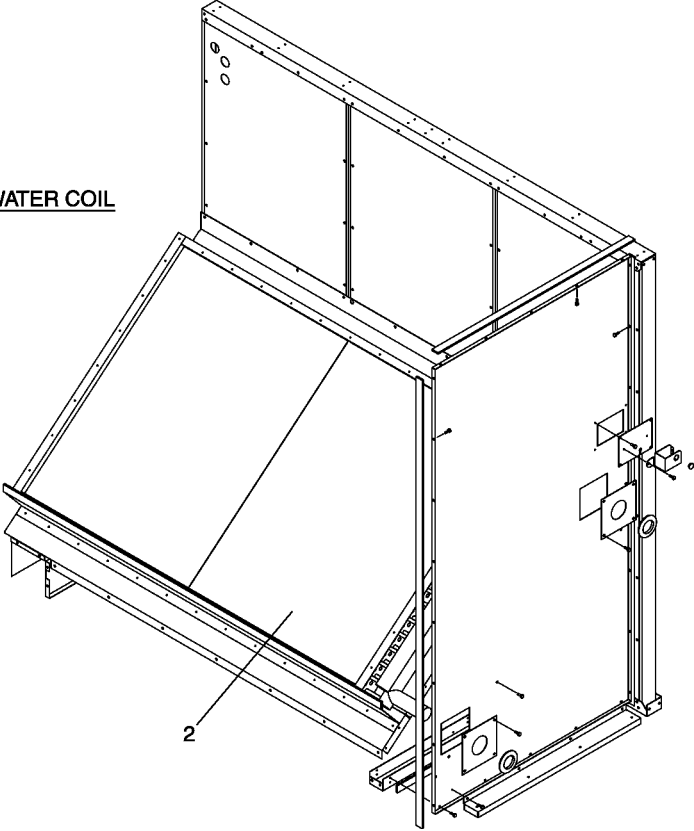
**TABLE 51 - STEAM HEAT COILS**

FIGURE	ITEM	UNIT SIZE	TUBES HIGH	ROWS DEEP	FINS PER INCH	PART NUMBER
52	1	50-65	14	1	6	026-36433-100
52	1				8	026-36433-101
52	1				10	026-36433-102
52	1	70-85	15	1	6	026-36433-200
52	1				8	026-36433-201
52	1				10	026-36433-202
52	1	90-95	17	1	6	026-36433-300
52	1				8	026-36433-301
52	1				10	026-36433-302

STEAM COIL



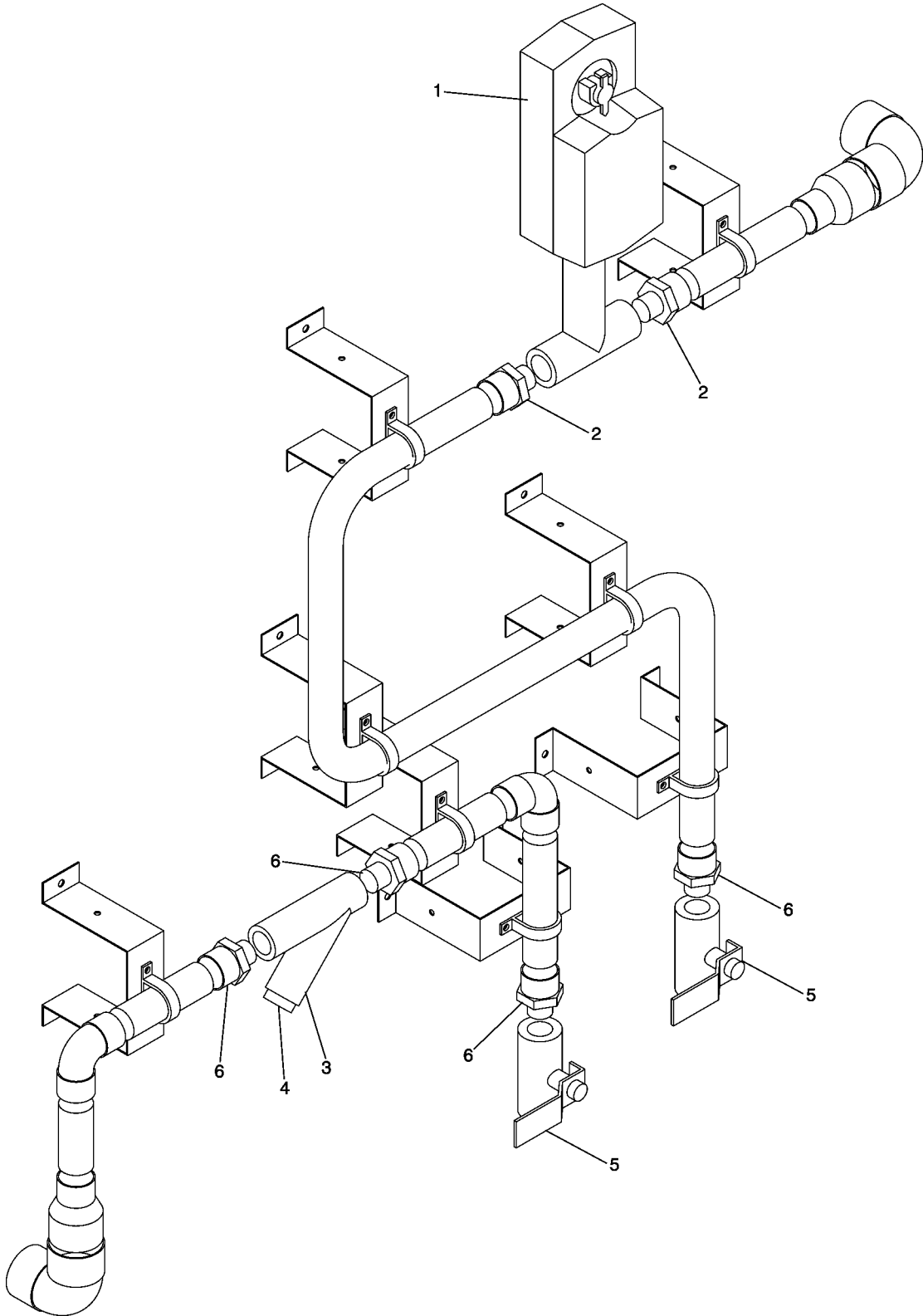
HOT WATER COIL



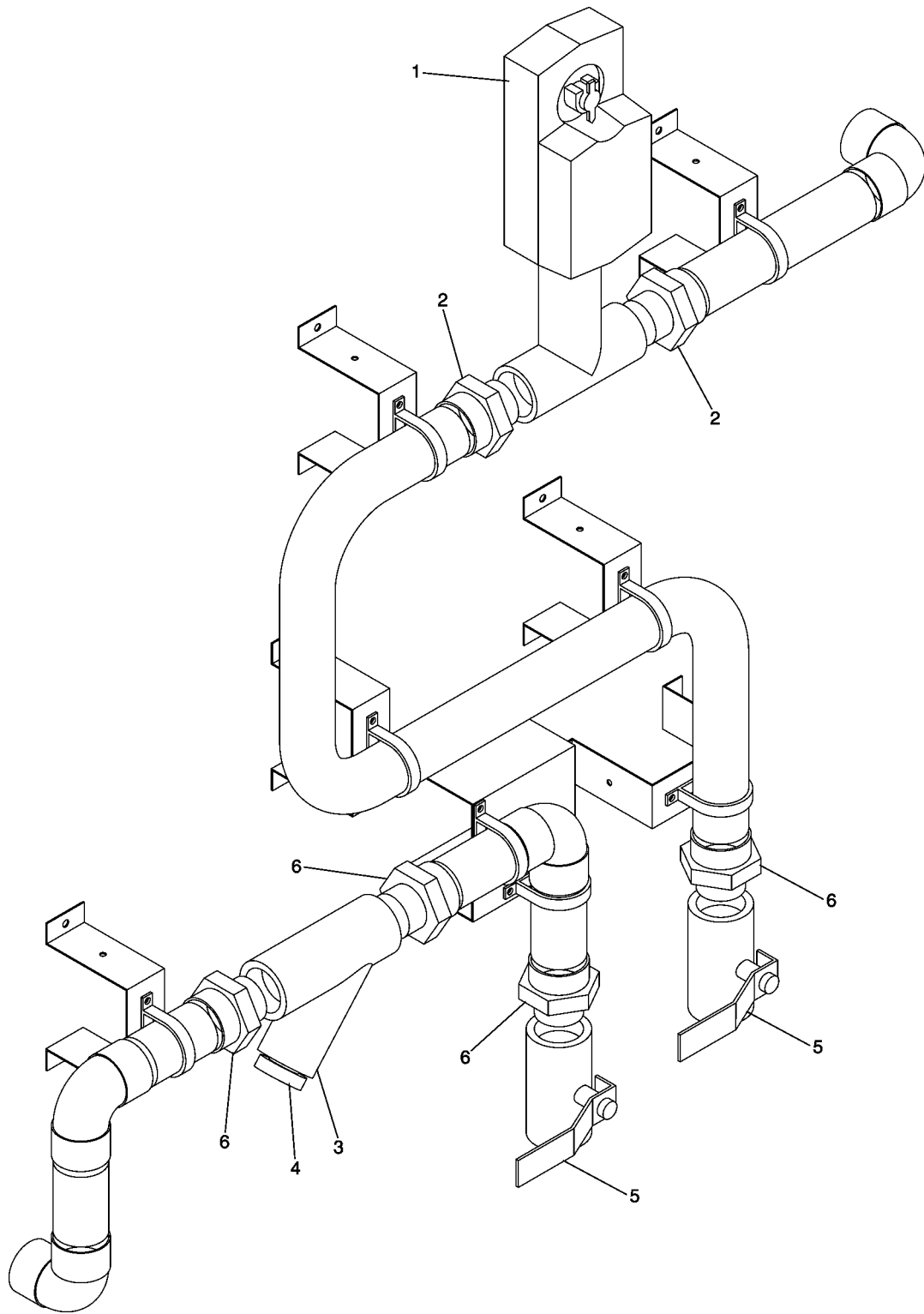
**FIGURE 52 - HOT WATER AND STEAM HEAT COILS (50-95 TONS)**

**TABLE 52 - HOT WATER HEAT PIPING PARTS**

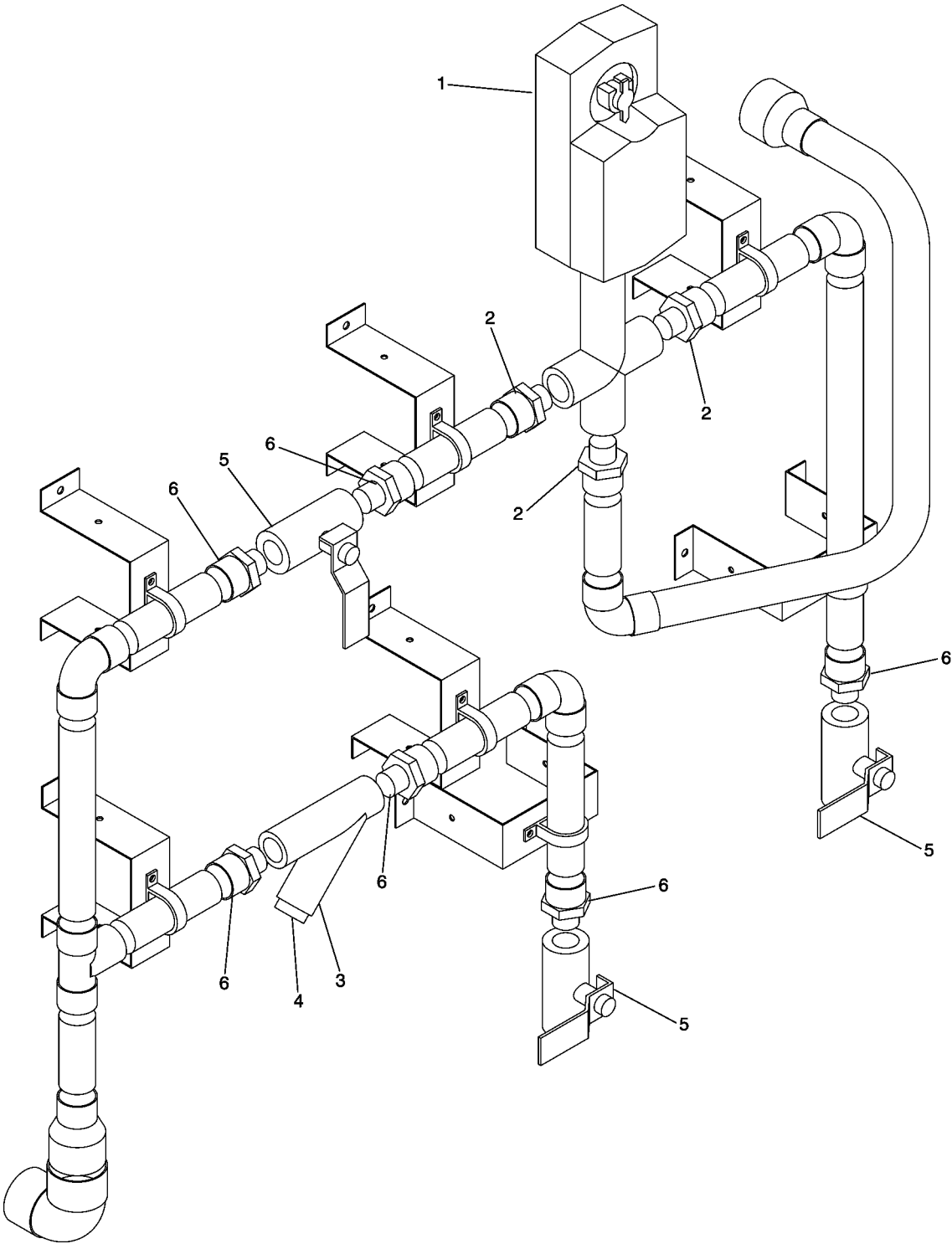
FIGURE	ITEM	VALVE SIZE	DESCRIPTION	PART NUMBER
53	1	0.75	2-Way Valve	025-35809-214
53	1	1.00	2-Way Valve	025-35809-215
53	1	1.25	2-Way Valve	025-35809-216
54	1	1.50	2-Way Valve	025-35809-217
54	1	2.00	2-Way Valve	025-35809-218
55	1	0.75	3-Way Valve	025-35809-354
55	1	1.00	3-Way Valve	025-35809-355
55	1	1.25	3-Way Valve	025-35809-356
56	1	1.50	3-Way Valve	025-35809-357
56	1	2.00	3-Way Valve	025-35809-358
53, 55	2	0.75	Adapters for 2 and 3-Way Valve	023-20068-000
53, 55	2	1.00	Adapters for 2 and 3-Way Valve	023-20067-000
53, 55	2	1.25	Adapters for 2 and 3-Way Valve	023-00131-000
54, 56	2	1.50	Adapters for 2 and 3-Way Valve	023-20066-000
54, 56	2	2.00	Adapters for 2 and 3-Way Valve	023-00145-000
53, 55	3	0.75, 1.00, 1.25	Strainer	022-10505-000
54, 56	3	1.50, 2.00	Strainer	022-10504-000
53, 55	4	0.75, 1.00, 1.25	Pipe Plug for Strainer	023-04053-000
54, 56	4	1.50, 2.00	Pipe Plug for Strainer	023-04019-000
53, 55	5	0.75, 1.00, 1.25	Ball Valve	022-10507-000
54, 56	5	1.50, 2.00	Ball Valve	022-10506-000
53, 55	6	0.75, 1.00, 1.25	Adapters for Ball Valves and Strainer	023-00131-000
54, 56	6	1.50, 2.00	Adapters for Ball Valves and Strainer	023-00145-000



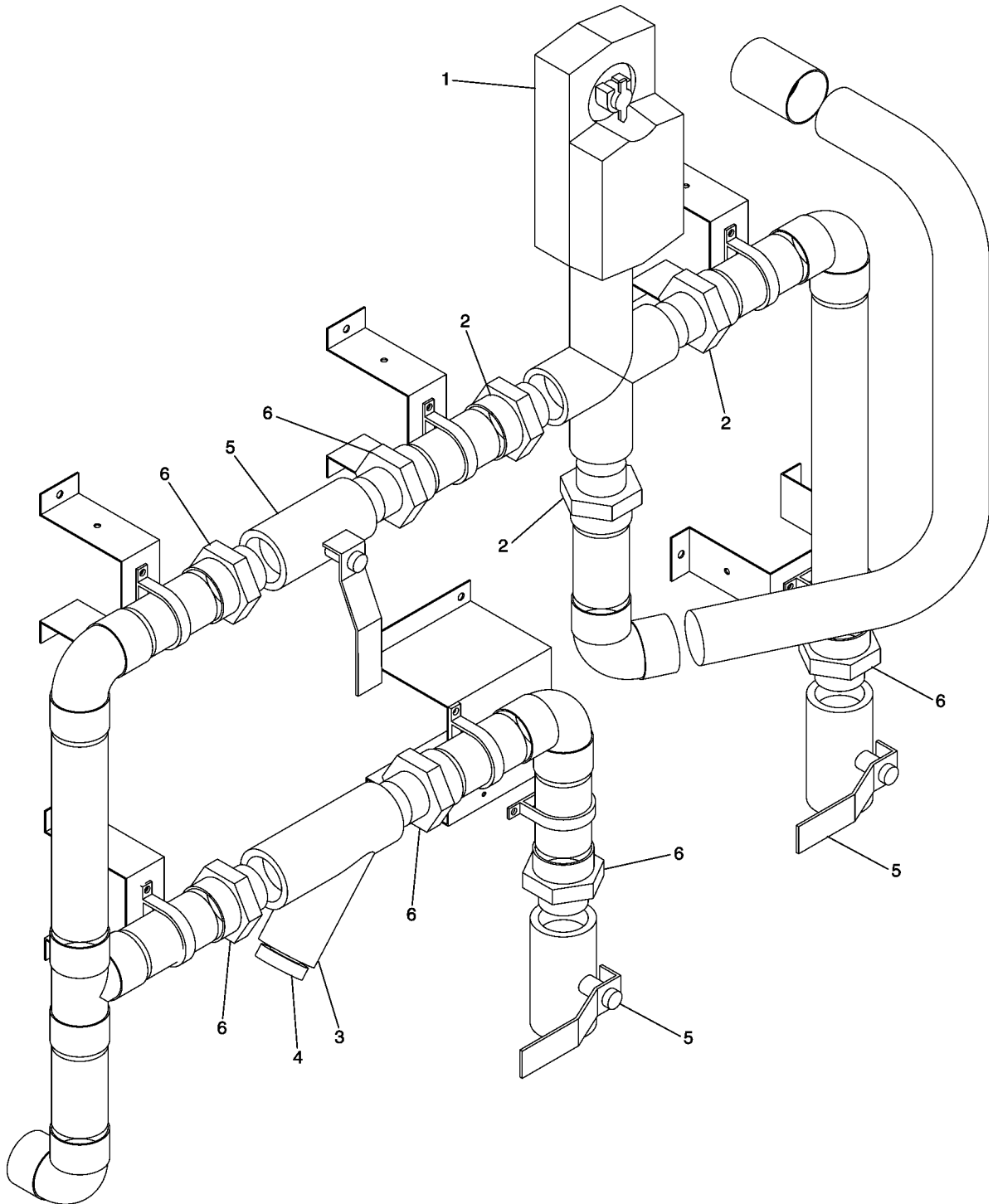
**FIGURE 53 - HOT WATER HEAT 2-WAY PIPING FOR 0.75, 1.00, AND 1.25 VALVES**



**FIGURE 54 - HOT WATER HEAT 2-WAY PIPING FOR 1.50 AND 2.00 VALVES**



**FIGURE 55 - HOT WATER HEAT 3-WAY PIPING FOR 0.75, 1.00, AND 1.25 VALVES**



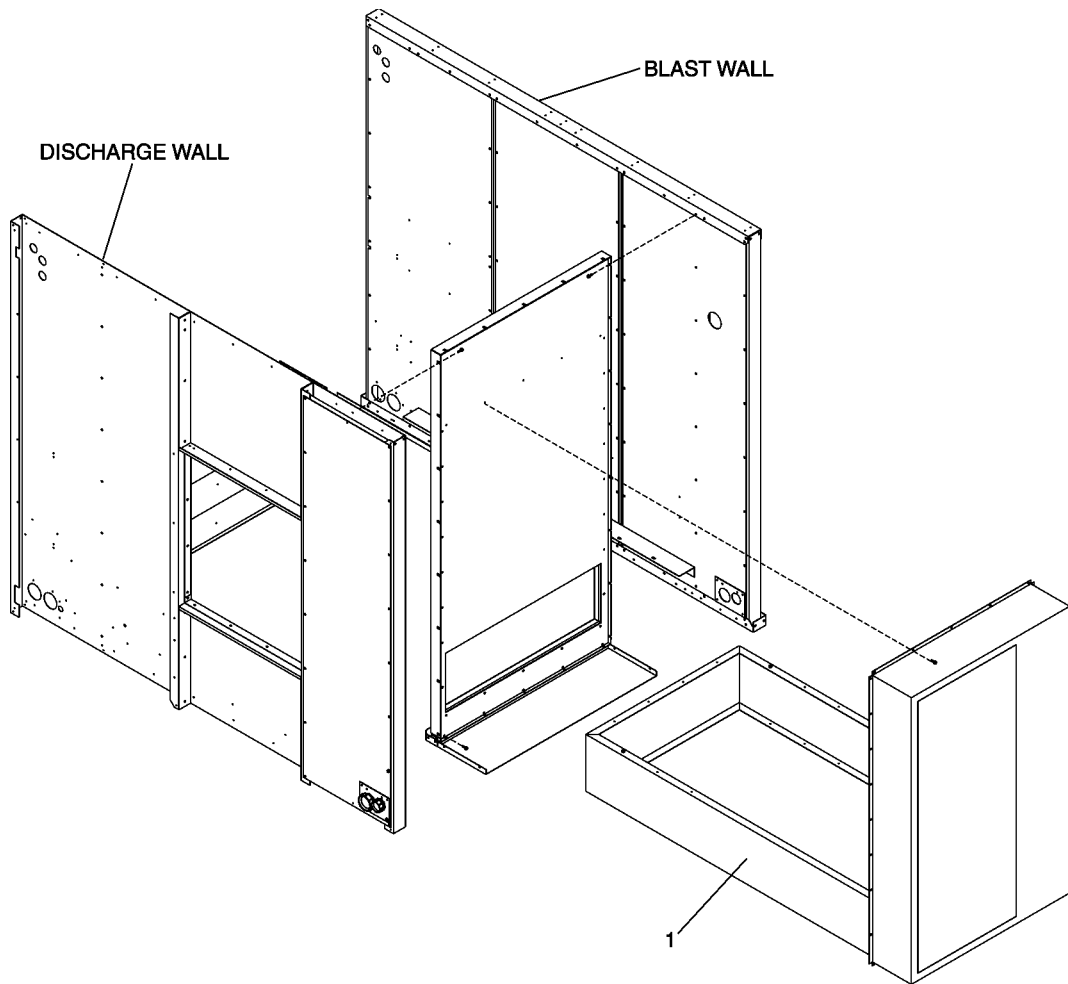
**FIGURE 56 - HOT WATER HEAT 3-WAY PIPING FOR 1.50 AND 2.00 VALVES**

**TABLE 53 - ELECTRIC HEATER COILS**

FIGURE	ITEM	UNIT SIZE	VOLTAGE	KILOWATTS	PART NUMBER
57	1	50-65	200	40	025-35720-101
57	1			80	025-35720-102
57	1			108	025-35720-103
57	1		230	40	025-35720-104
57	1			80	025-35720-105
57	1			108	025-35720-106
57	1		460	40	025-35720-117
57	1			80	025-35720-118
57	1			108	025-35720-119
57	1			150	025-35720-120
57	1		575	40	025-35720-123
57	1			80	025-35720-124
57	1			108	025-35720-125
57	1		400	150	025-35720-126
57	1			40	025-35720-112
57	1			80	025-35720-113
57	1		380	108	025-35720-114
57	1			150	025-35720-115
57	1			40	025-35720-107
57	1		70-85	200	80
57	1	108			025-35720-108
57	1	230		80	025-35720-109
57	1			108	025-35720-110
57	1	460		80	025-36252-102
57	1			108	025-36252-103
57	1			150	025-36252-105
57	1			200	025-36252-106
57	1	575		80	025-36252-118
57	1			108	025-36252-119
57	1			150	025-36252-120
57	1			200	025-36252-121
57	1			80	025-36252-124
57	1	400		108	025-36252-125
57	1			150	025-36252-126
57	1			200	025-36252-127
57	1			80	025-36252-113
57	1	380		108	025-36252-114
57	1			150	025-36252-115
57	1			200	025-36252-116
57	1		80	025-36252-108	
57	1		108	025-36252-109	
57	1	90-95	200	150	025-36252-110
57	1			200	025-36252-111
57	1		460	108	025-36253-103
57	1			108	025-36253-106
57	1			150	025-36253-119
57	1	460	200	025-36253-120	
57	1		250	025-36253-121	
57	1			025-36253-122	

**TABLE 53 - ELECTRIC HEATER COILS**

FIGURE	ITEM	UNIT SIZE	VOLTAGE	KILOWATTS	PART NUMBER
57	1	90-95	575	108	025-36253-125
57	1			150	025-36253-126
57	1			200	025-36253-127
57	1			250	025-36253-128
57	1		400	108	025-36253-114
57	1			150	025-36253-115
57	1			200	025-36253-116
57	1		380	108	025-36253-109
57	1			150	025-36253-110
57	1			200	025-36253-111



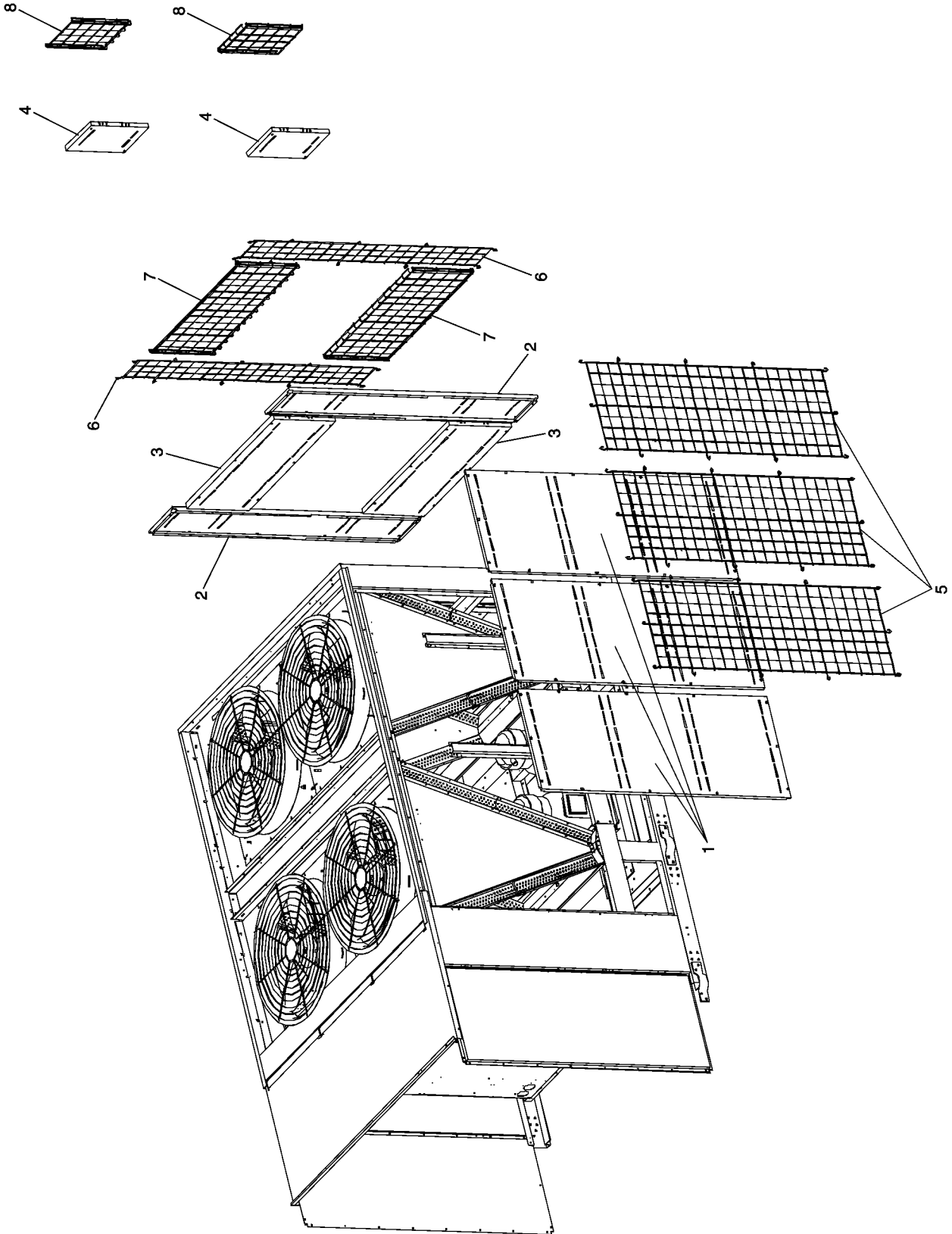
**FIGURE 57 - ELECTRIC HEATER COILS (50-95 TONS)**

**TABLE 54 - CONDENSER COIL LANCED PANELS**

FIGURE	ITEM	UNIT SIZE	DESCRIPTION	PART NUMBER
58	1	50-65	Side Lanced Panel	085-00961-000
58	2		End Lanced Panel	085-00960-000
58	3		End Top/Bottom Lanced Panel	085-00959-000
58	4		End Top/Bottom Lanced Panel, Electric Heat	085-00994-000
59	1	70-95	Side Lanced Panel	085-00965-000
59	2		End Lanced Panel	085-00964-000
59	3		End Top Lanced Panel	085-00966-000
59	4		End Bottom Lanced Panel	085-00959-000
59	5		End Top Lanced Panel, Electric Heat	085-00994-000
59	6		End Bottom Lanced Panel, Electric Heat	085-00994-002

**TABLE 55 - CONDENSER COIL WIRE GUARDS**

FIGURE	ITEM	UNIT SIZE	DESCRIPTION	PART NUMBER
58	5	50-65	Side Wire Guard	026-36430-001
58	6		End Wire Guard	026-36430-002
58	7		End Top/Bottom Wire Guard	026-36431-001
58	8		End Top/Bottom Wire Guard, Electric Heat	026-36431-003
59	7	70-95	Side Wire Guard	026-36430-003
59	8		End Wire Guard	026-36430-004
59	9		End Bottom Wire Guard	026-36431-001
59	10		End Top Wire Guard	026-36431-002
59	11		End Top Wire Guard, Electric Heat	026-36431-004
59	12		End Bottom Wire Guard, Electric Heat	026-36431-003



**FIGURE 58 - CONDENSER COIL LANCED PANELS AND WIRE GUARDS (50-65 TONS)**

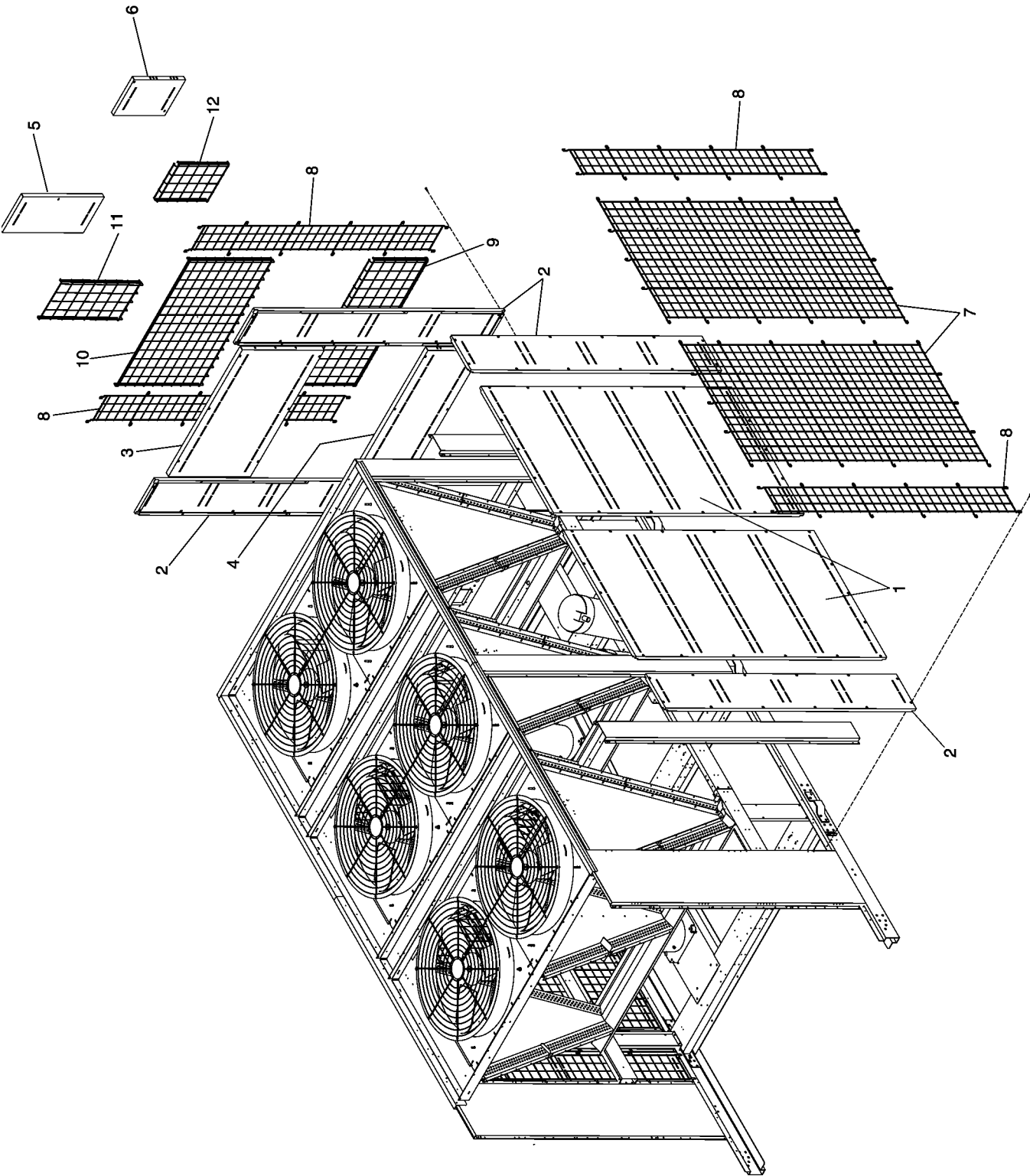


FIGURE 59 - CONDENSER COIL LANCED PANELS AND WIRE GUARDS (70-95 TONS)

**TABLE 56 - CONDENSER FANS AND FAN GUARDS**

FIGURE	ITEM	UNIT SIZE	DESCRIPTION	PART NUMBER
60	1	50-95	Fan Guard	026-35605-000
60	2		Fan	026-37577-000

**TABLE 57 - CONDENSER FAN MOTORS**

FIGURE	ITEM	UNIT SIZE	VOLTAGE	PART NUMBER	QUANTITY
60	3	50-65	200	024-27322-003	4
60	3		230	024-27322-006	4
60	3		380	024-27322-004	4
60	3		400 (50 Hz)	024-27322-005	4
60	3		460	024-27322-005	4
60	3		575	024-27322-002	4
60	3	70-95	200	024-27322-003	6
60	3		230	024-27322-006	6
60	3		380	024-27322-004	6
60	3		400 (50 Hz)	024-27322-005	6
60	3		460	024-27322-005	6
60	3		575	024-27322-002	6

**TABLE 58 - CONDENSER FAN MOTOR VARIABLE FREQUENCY DRIVES**

FIGURE	ITEM	UNIT SIZE	VOLTAGE	HERTZ	PART NUMBER
61, 62	1	50-95	200-230	60	024-27367-001
61, 62	1		460	60	024-27367-002
61, 62	1		575	60	024-27369-000
61, 62	1		400	50	024-27367-002
61, 62	1		380	60	024-27367-002

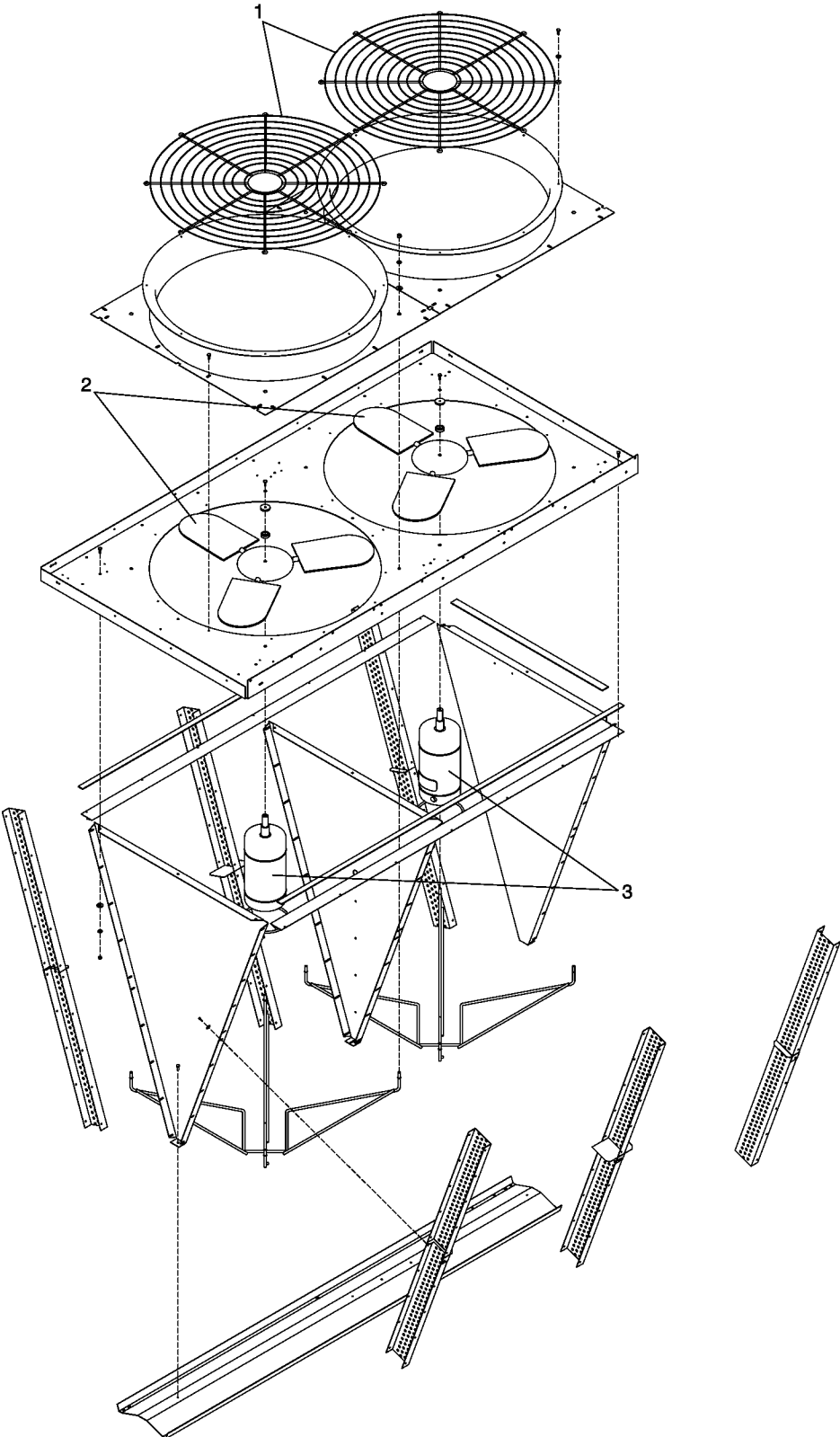
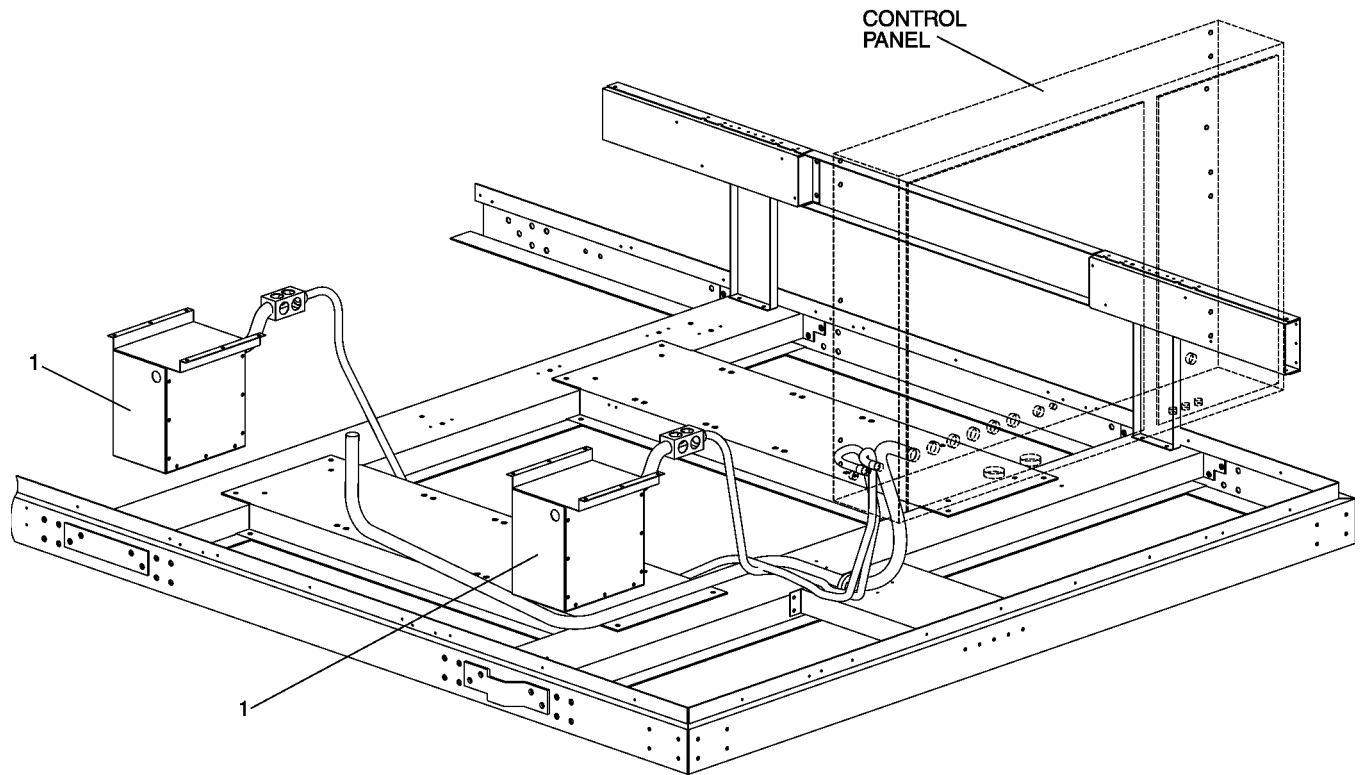
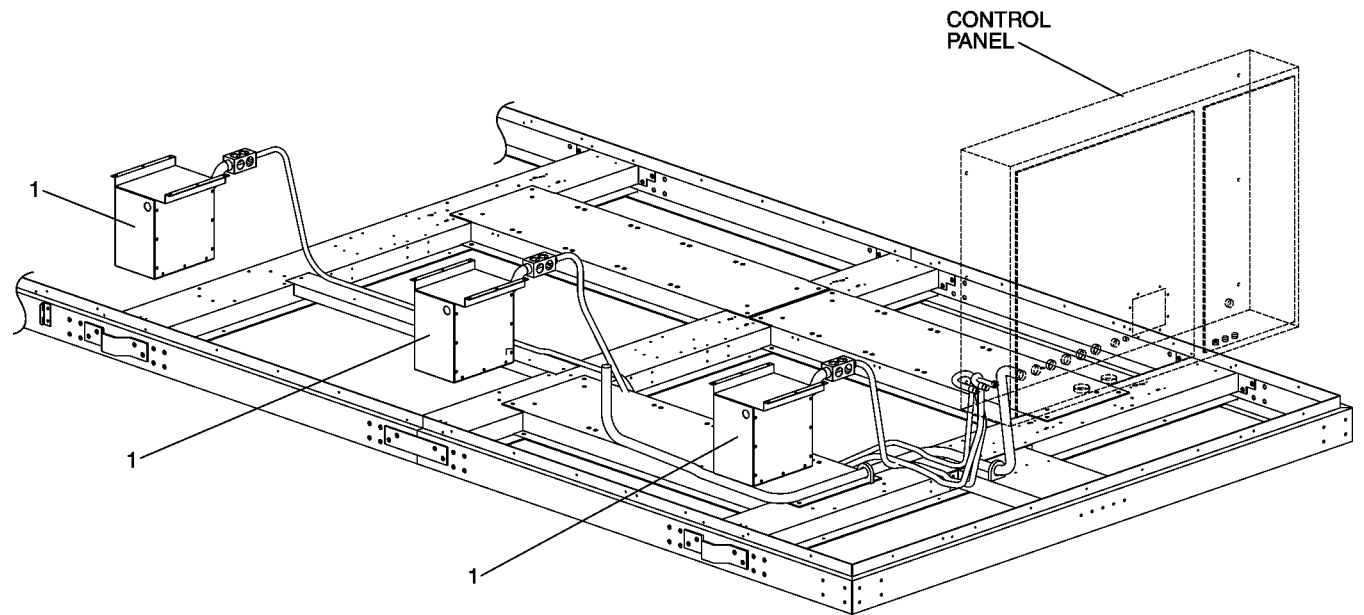


FIGURE 60 - CONDENSER FANS, FAN GUARDS, AND FAN MOTORS (50-95 TONS)



**FIGURE 61 - CONDENSER FAN MOTOR VARIABLE FREQUENCY DRIVES (50-65 TONS)**



**FIGURE 62 - CONDENSER FAN MOTOR VARIABLE FREQUENCY DRIVES (70-95 TONS)**

**TABLE 59 - CONDENSER COILS (R407C)**

FIGURE	ITEM	UNIT SIZE	PART NUMBER				QUANTITY
			ALUMINUM FINS	COPPER FINS	ALUMINUM PRE-COAT BLACK FINS	ALUMINUM POST-COAT TECHNICOAT FINS	
63	1	50-65	385-00542-015	385-00542-115	385-00542-215	385-00542-315	8
64	1	70-75	385-00542-016	385-00542-116	385-00542-216	385-00542-316	12
63	1	80-95	385-00542-015	385-00542-115	385-00542-215	385-00542-315	12

Note: When replacing condenser coils, headers must also be replaced (see Tables 61 and 62).

**TABLE 60 - CONDENSER COILS (R22)**

FIGURE	ITEM	UNIT SIZE	PART NUMBER				QUANTITY
			ALUMINUM FINS	COPPER FINS	ALUMINUM PRE-COAT BLACK FINS	ALUMINUM POST-COAT TECHNICOAT FINS	
65	1	50-65	385-00542-017	385-00542-117	385-00542-217	385-00542-317	8
64	1	70-75	385-00542-018	385-00542-118	385-00542-218	385-00542-318	12
65	1	80-95	385-00542-017	385-00542-117	385-00542-217	385-00542-317	12

Note: When replacing condenser coils, headers must also be replaced (see Tables 63 and 64).

**TABLE 61 - CONDENSER DISCHARGE HEADERS (R407C)**

FIGURE	ITEM	UNIT SIZE	LOCATION	PART NUMBER		QTY
				ALUMINUM, COPPER, AND ALUMINUM PRE-COAT BLACK FINS	ALUMINUM POST-COAT TECHNICOAT FINS	
63	2	50-65	Right Hand	023-20028-000	023-20028-100	2
	3		Left Hand	023-20028-000	023-20028-100	2
64	2	70-75	Right Hand	023-20028-010	023-20028-110	3
	3		Left Hand	023-20028-010	023-20028-110	3
63	2	80-95	Right Hand	023-20028-000	023-20028-100	3
	3		Left Hand	023-20028-000	023-20028-100	3

**TABLE 62 - CONDENSER LIQUID HEADERS (R407C)**

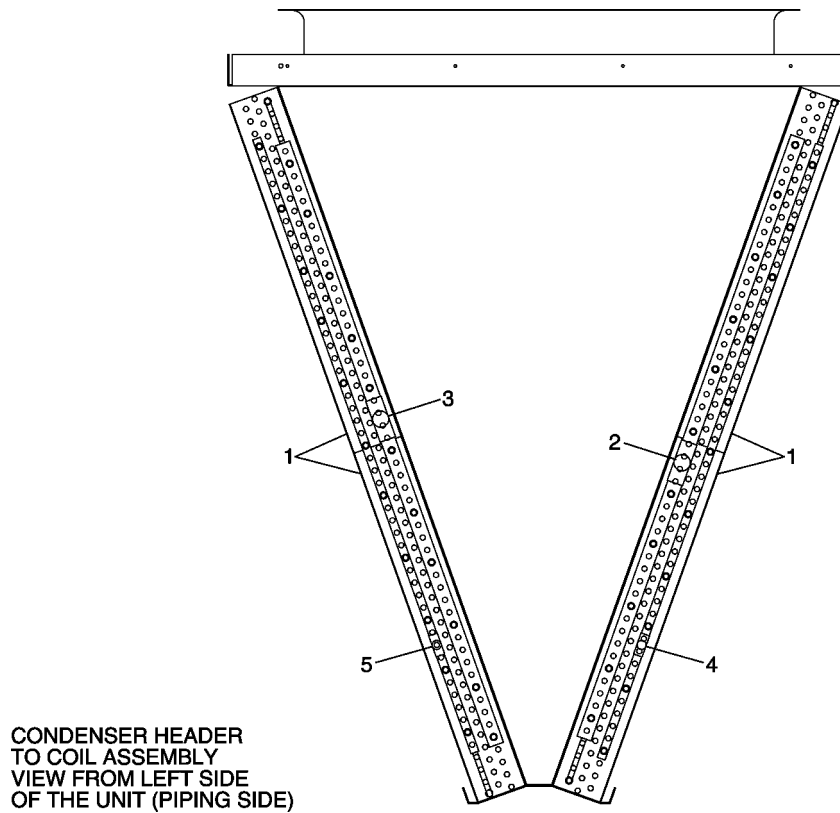
FIGURE	ITEM	UNIT SIZE	LOCATION	PART NUMBER		QTY
				ALUMINUM, COPPER, AND ALUMINUM PRE-COAT BLACK FINS	ALUMINUM POST-COAT TECHNICOAT FINS	
63	4	50-65	Right Hand	023-20027-000	023-20027-100	2
	5		Left Hand	023-20027-001	023-20027-101	2
64	4	70-75	Right Hand	023-20027-010	023-20027-110	3
	5		Left Hand	023-20027-011	023-20027-111	3
63	4	80-95	Right Hand	023-20027-000	023-20027-100	3
	5		Left Hand	023-20027-001	023-20027-101	3

**TABLE 63 - CONDENSER DISCHARGE HEADERS (R22)**

FIGURE	ITEM	UNIT SIZE	LOCATION	PART NUMBER		QTY
				ALUMINUM, COPPER, AND ALUMINUM PRE-COAT BLACK FINS	ALUMINUM POST-COAT TECHNICOAT FINIS	
65	2	50-65	Right Hand	023-20070-000	023-20072-000	2
	3		Left Hand	023-20070-001	023-20072-001	2
64	2	70-75	Right Hand	023-20028-010	023-20028-110	3
	3		Left Hand	023-20028-010	023-20028-110	3
65	2	80-95	Right Hand	023-20070-000	023-20072-000	3
	3		Left Hand	023-20070-001	023-20072-001	3

**TABLE 64 - CONDENSER LIQUID HEADERS (R22)**

FIGURE	ITEM	UNIT SIZE	LOCATION	PART NUMBER		QTY
				ALUMINUM, COPPER, AND ALUMINUM PRE-COAT BLACK FINS	ALUMINUM POST-COAT TECHNICOAT FINIS	
65	4	50-65	Right Hand	023-20069-000	023-20071-000	2
	5		Left Hand	023-20069-001	023-20071-001	2
64	4	70-75	Right Hand	023-20027-010	023-20027-110	3
	5		Left Hand	023-20027-011	023-20027-111	3
65	4	80-95	Right Hand	023-20069-000	023-20071-000	3
	5		Left Hand	023-20069-001	023-20071-001	3



**FIGURE 63 - CONDENSER COILS AND HEADERS FOR R407C (50-65 AND 80-95 TONS)**

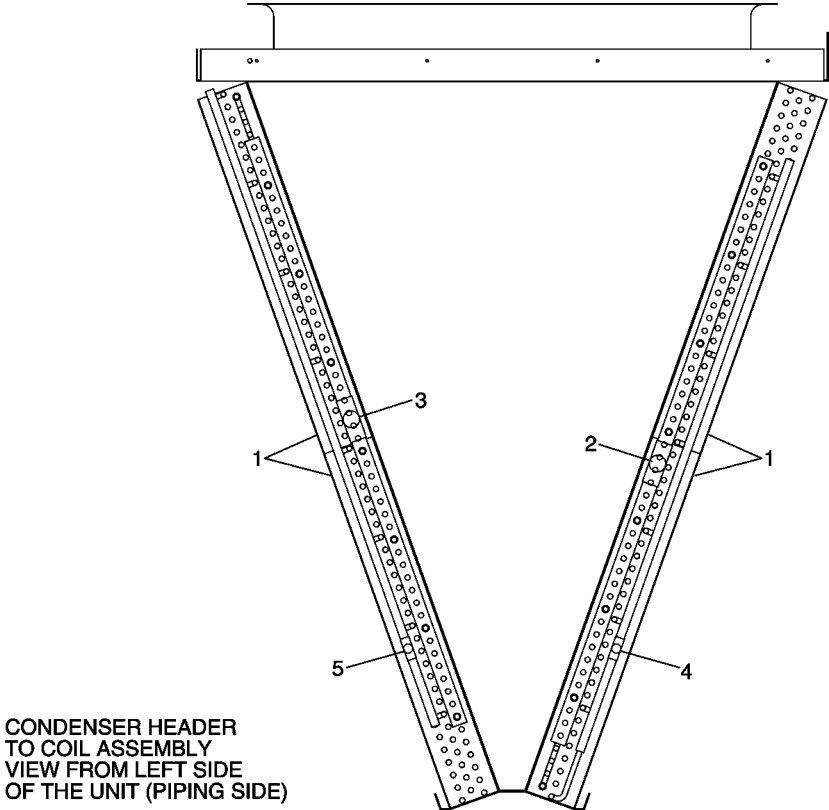


FIGURE 64 - CONDENSER COILS AND HEADERS FOR R407C AND R22 (70-75 TONS)

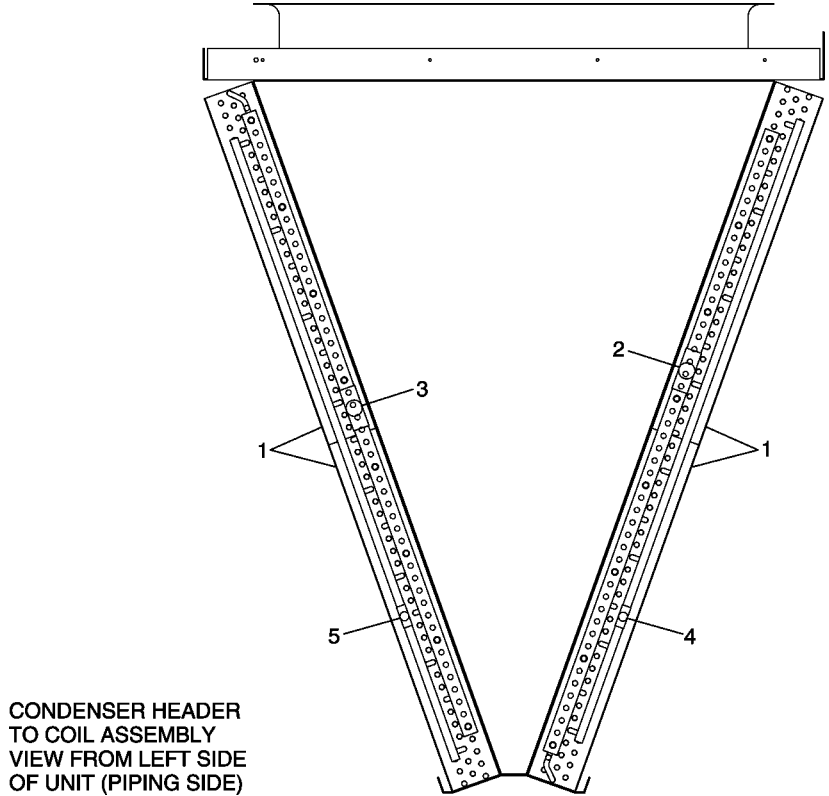


FIGURE 65 - CONDENSER COILS AND HEADERS FOR R22 (50-65 AND 80-95 TONS)

**TABLE 65 - REFRIGERANT PIPING PARTS WITH MANEUROP COMPRESSORS (R407C AND R22)**

FIGURE	ITEM	UNIT SIZE	DESCRIPTION	PART NUMBER	QTY
67	1	50	TXV and Distributor Assembly <sup>1</sup>	026-36383-001	4
67	1	55	TXV and Distributor Assembly <sup>1</sup>	026-36383-002	4
67	1	60	TXV and Distributor Assembly <sup>1</sup>	026-36383-003	4
67	1	65	TXV and Distributor Assembly <sup>1</sup>	026-36383-004	4
70	1	70	TXV and Distributor Assembly <sup>1</sup>	026-36383-006	4
70	2			026-36383-017	2
70	1	75	TXV and Distributor Assembly <sup>1</sup>	026-36383-017	4
70	2			026-36383-018	2
70	1	80	TXV and Distributor Assembly <sup>1</sup>	026-36383-015	4
70	2			026-36383-006	2
70	1	85	TXV and Distributor Assembly <sup>1</sup>	026-36383-017	4
70	2			026-36383-018	2
73	1	90	TXV and Distributor Assembly <sup>1</sup>	026-36383-011	4
73	2			026-36383-012	2
73	1	95	TXV and Distributor Assembly <sup>1</sup>	026-36383-003	4
73	2			026-36383-014	2
67	3	50-55	Solenoid Valve	025-36165-000	2
67	3	60-65	Solenoid Valve	025-36166-000	2
70, 73	3	70-95	Solenoid Valve	025-36166-000	3
66	4	50-65	Sight Glass	026-15305-000	2
70, 73	4	70-95	Sight Glass	026-15305-000	3
68, 71, 74	5	50-95	Hot Gas Bypass Valve	025-36171-000	1
66	6	50-65	Service Valve with Core	022-15213-000	10
69, 70, 72, 73	6	70-95	Service Valve with Core	022-15213-000	15
66	7	50-65	Service Valve without Core	023-06596-000	4
69, 72	7	70-95	Service Valve without Core	023-06596-000	6
66	8	50-65	Charge/Drain/Evacuation Valve	022-09754-000	4
69, 72	8	70-95	Charge/Drain/Evacuation Valve	022-09754-000	6
66	9	50-65	High Pressure Relief Valve	022-10503-000	2
69, 72	9	70-95	High Pressure Relief Valve	022-10503-000	3
66	10	50-65	Discharge Line Shutoff Valve	022-10501-000	2
69, 72	10	70-95	Discharge Line Shutoff Valve	022-10501-000	3
66	11	50-65	Suction Line Shutoff Valve	022-09752-000	2
69	11	70-75	Suction Line Shutoff Valve	022-10501-000	2
69	13	70-75	Suction Line Shutoff Valve	022-09752-000	1
69, 72	13	80-95	Suction Line Shutoff Valve	022-09752-000	3
66, 67	12	50-65	Liquid Line Shutoff Valve	022-10500-000	2 or 4 <sup>2</sup>
70, 73	12	70-95	Liquid Line Shutoff Valve	022-10500-000	3 or 6 <sup>3</sup>

<sup>1</sup>See Table 71 for separate TXV and distributor part numbers.

<sup>2</sup>Quantity is 4 on units with replaceable filter drier cores.

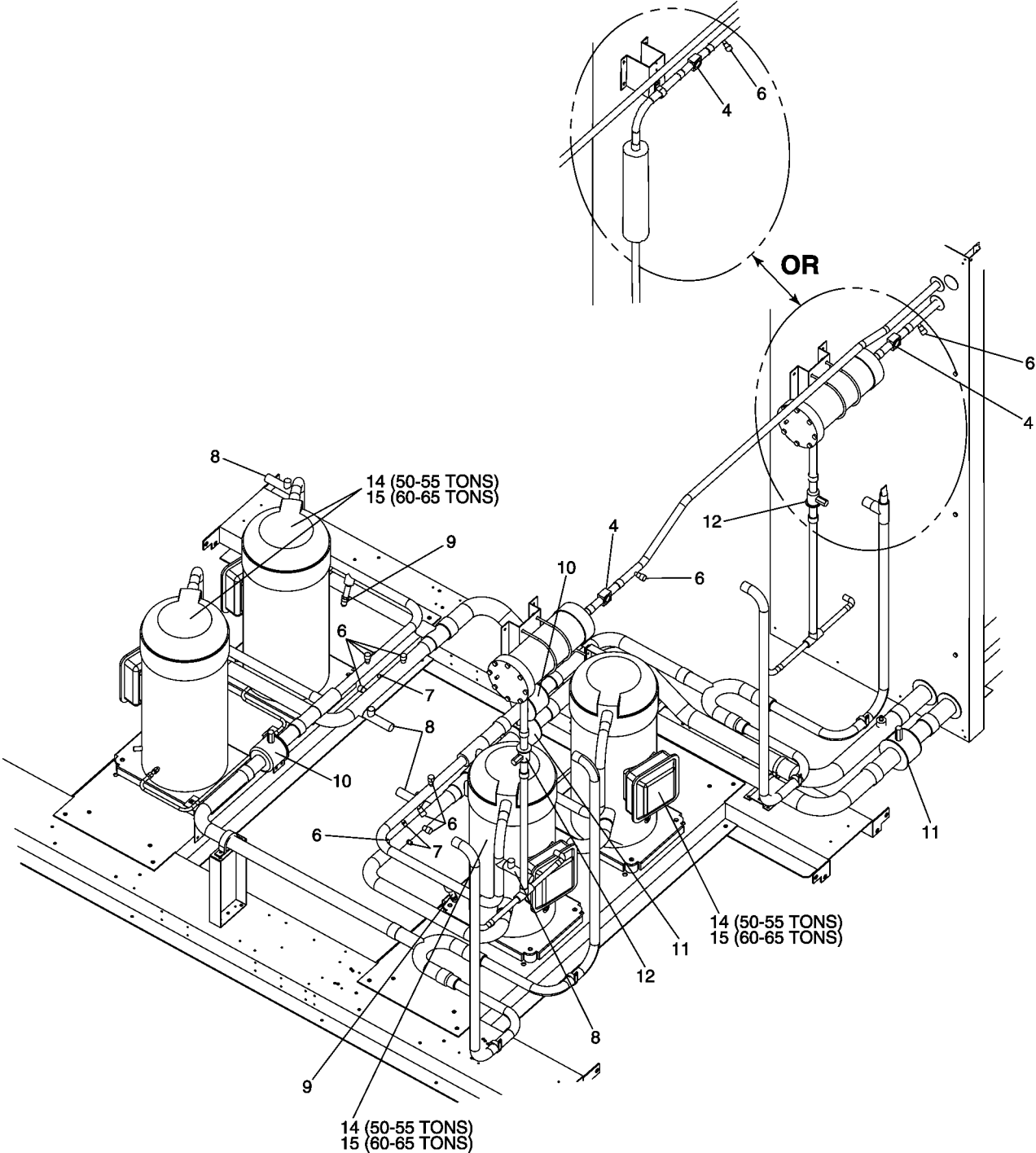
<sup>3</sup>Quantity is 6 on units with replaceable filter drier cores.

**TABLE 66 - COMPRESSORS, SCROLL, MANEUROP (R407C)**

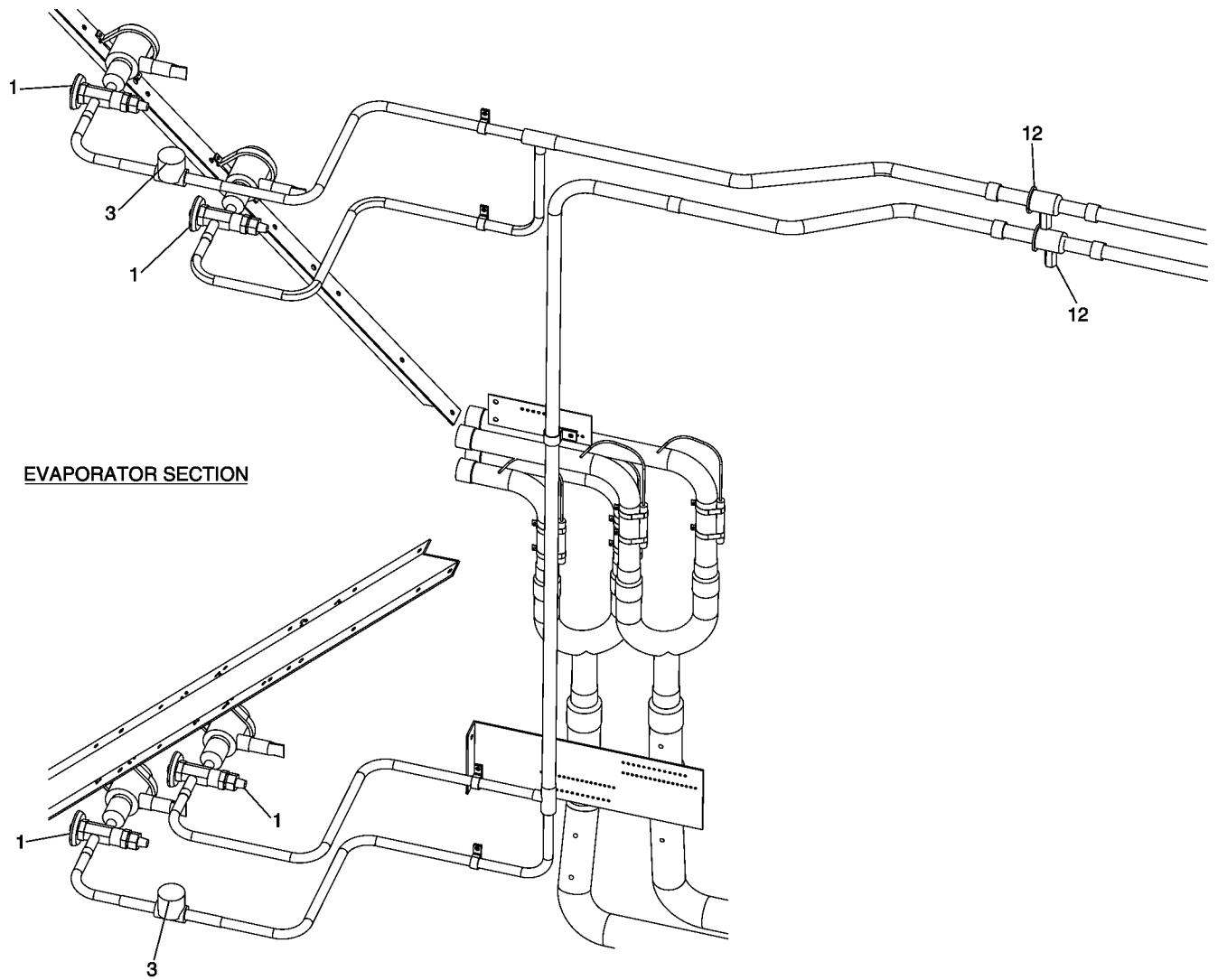
FIGURE	ITEM	UNIT SIZE	VOLTAGE	HERTZ	HORSEPOWER	PART NUMBER	QUANTITY
66	14	50-55	200, 230	60	12	026-37504-001	4
66	14		460	60	12	026-37504-002	4
66	14		575	60	12	026-37504-005	4
66	14		400	50	12	026-37504-002	4
66	14		380	60	12	026-37504-004	4
66	15	60-65	200, 230	60	15	026-37503-001	4
66	15		460	60	15	026-37503-002	4
66	15		575	60	15	026-37503-005	4
66	15		400	50	15	026-37503-002	4
66	15		380	60	15	026-37503-004	4
69	14	70-75	200, 230	60	12	026-37504-001	2
69	15				10	026-37505-001	4
69	14		460	60	12	026-37504-002	2
69	15				10	026-37505-002	4
69	14		575	60	12	026-37504-005	2
69	15				10	026-37505-004	4
69	14		400	50	12	026-37504-002	2
69	15				10	026-37505-002	4
69	14		380	60	12	026-37504-004	2
69	15				10	026-37505-005	4
69	14	80-85	200, 230	60	12	026-37504-001	6
69	14		460	60	12	026-37504-002	6
69	14		575	60	12	026-37504-005	6
69	14		400	50	12	026-37504-002	6
69	14		380	60	12	026-37504-004	6
72	14	90-95	200, 230	60	12	026-37504-001	2
72	15				15	026-37503-001	4
72	14		460	60	12	026-37504-002	2
72	15				15	026-37503-002	4
72	14		575	60	12	026-37504-005	2
72	15				15	026-37503-005	4
72	14		400	50	12	026-37504-002	2
72	15				15	026-37503-002	4
72	14		380	60	12	026-37504-004	2
72	15				15	026-37503-004	4

**TABLE 67 - COMPRESSORS, SCROLL, MANEUROP (R22)**

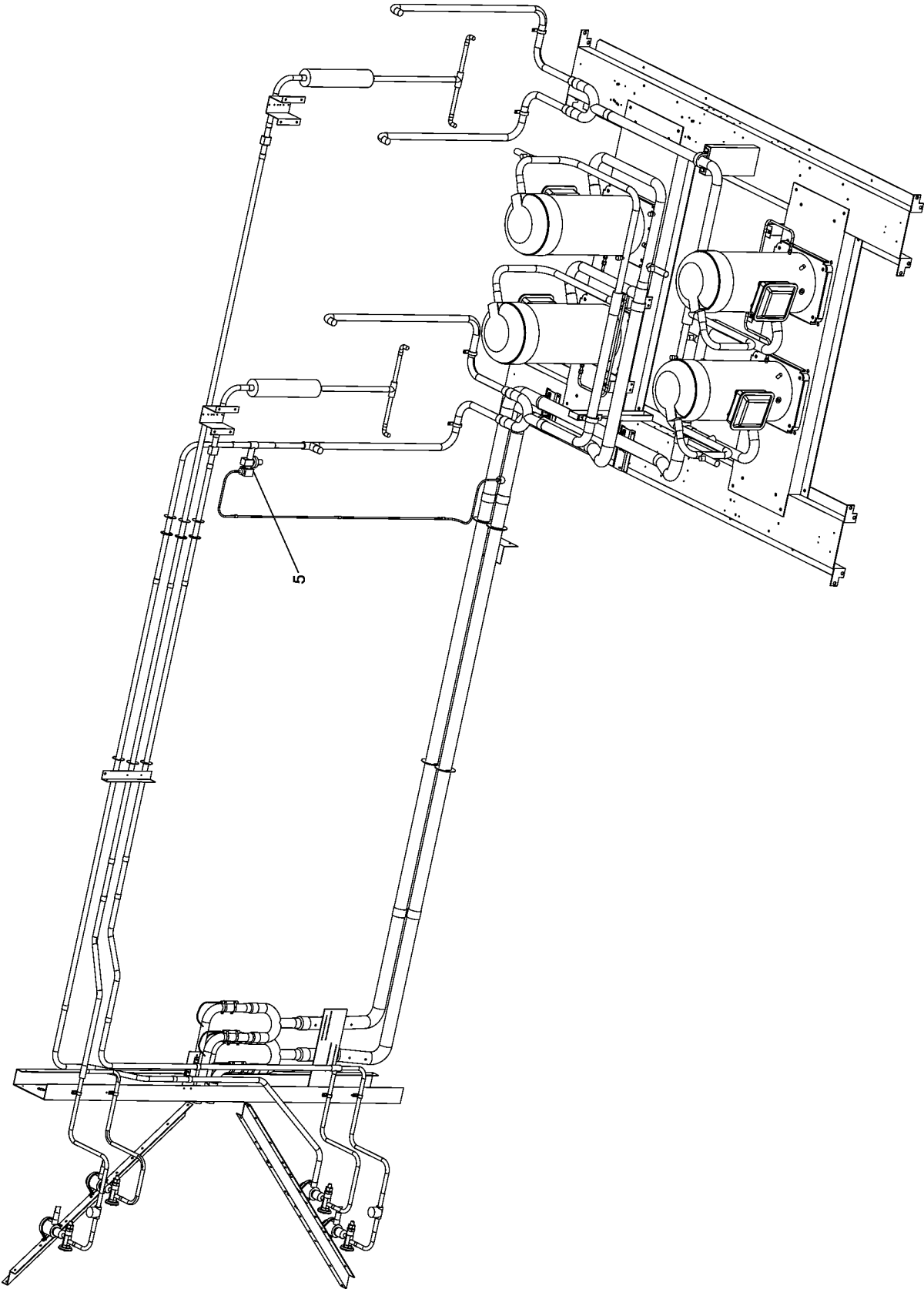
FIGURE	ITEM	UNIT SIZE	VOLTAGE	HERTZ	HORSEPOWER	PART NUMBER	QUANTITY
66	14	50-55	200, 230	60	12	026-36500-001	4
66	14		460	60	12	026-36500-002	4
66	14		575	60	12	026-36500-005	4
66	14		400	50	12	026-36500-002	4
66	14		380	60	12	026-36500-004	4
66	15	60-65	200, 230	60	15	026-36162-001	4
66	15		460	60	15	026-36162-002	4
66	15		575	60	15	026-36162-005	4
66	15		400	50	15	026-36162-002	4
66	15		380	60	15	026-36162-004	4
69	14	70-75	200, 230	60	12	026-36500-001	2
69	15				10	026-36514-001	4
69	14		460	60	12	026-36500-002	2
69	15				10	026-36514-002	4
69	14		575	60	12	026-36500-005	2
69	15				10	026-36514-004	4
69	14		400	50	12	026-36500-002	2
69	15				10	026-36514-002	4
69	14		380	60	12	026-36500-004	2
69	15				10	026-36514-005	4
69	14	80-85	200, 230	60	12	026-36500-001	6
69	14		460	60	12	026-36500-002	6
69	14		575	60	12	026-36500-005	6
69	14		400	50	12	026-36500-002	6
69	14		380	60	12	026-36500-004	6
72	14	90-95	200, 230	60	12	026-36500-001	2
72	15				15	026-36162-001	4
72	14		460	60	12	026-36500-002	2
72	15				15	026-36162-002	4
72	14		575	60	12	026-36500-005	2
72	15				15	026-36162-005	4
72	14		400	50	12	026-36500-002	2
72	15				15	026-36162-002	4
72	14		380	60	12	026-36500-004	2
72	15				15	026-36162-004	4



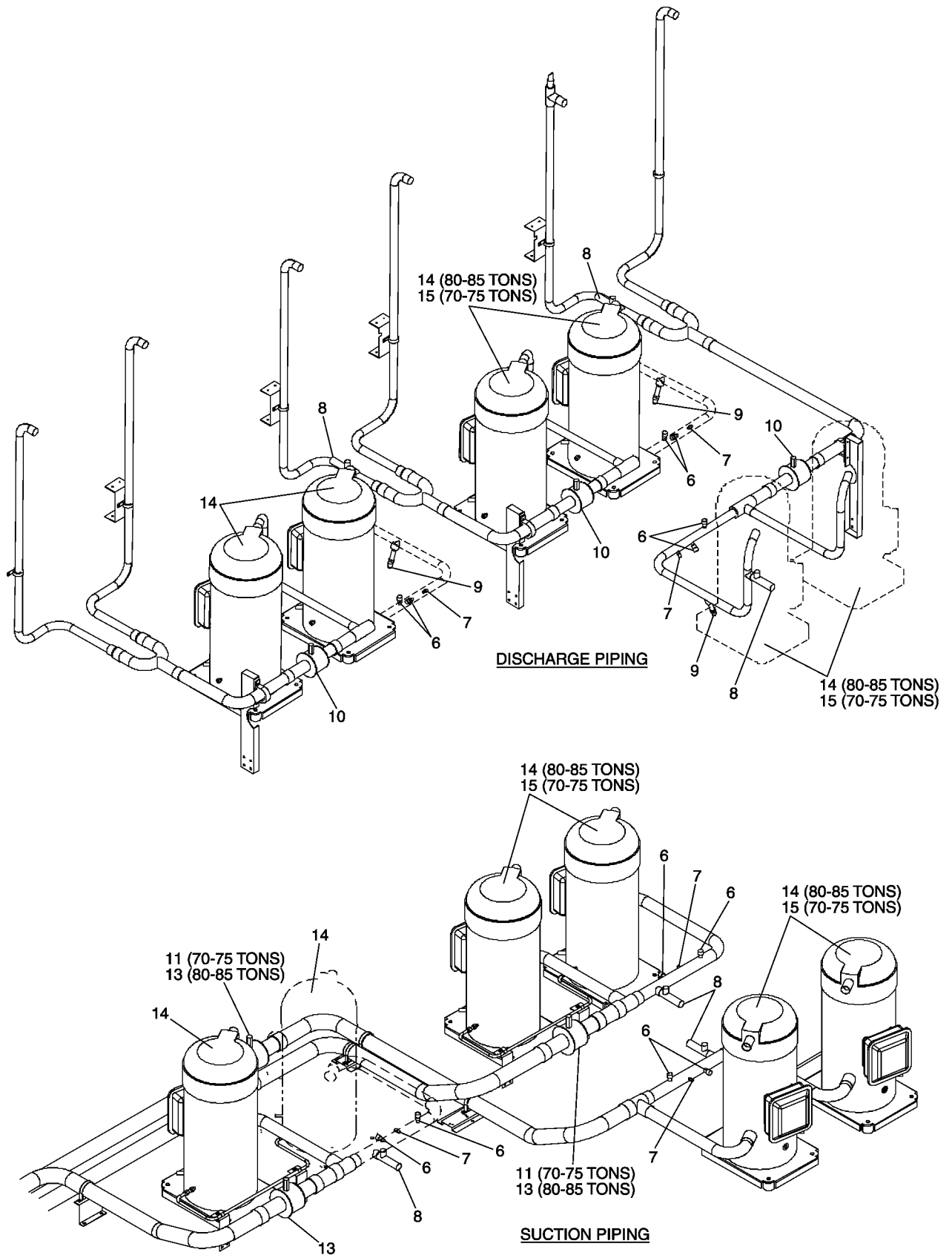
**FIGURE 66 - REFRIGERANT SUCTION, DISCHARGE AND LIQUID PIPING, MANEUROP COMPRESSOR (50-65 TONS)**



**FIGURE 67 - REFRIGERANT LIQUID PIPING, MANEUROP COMPRESSOR (50-65 TONS)**



**FIGURE 68 - REFRIGERANT HOT GAS PIPING, MANEUROP COMPRESSOR (50-65 TONS)**



**FIGURE 69 - REFRIGERANT SUCTION AND DISCHARGE PIPING, MANEUROP COMPRESSOR (70-85 TONS)**

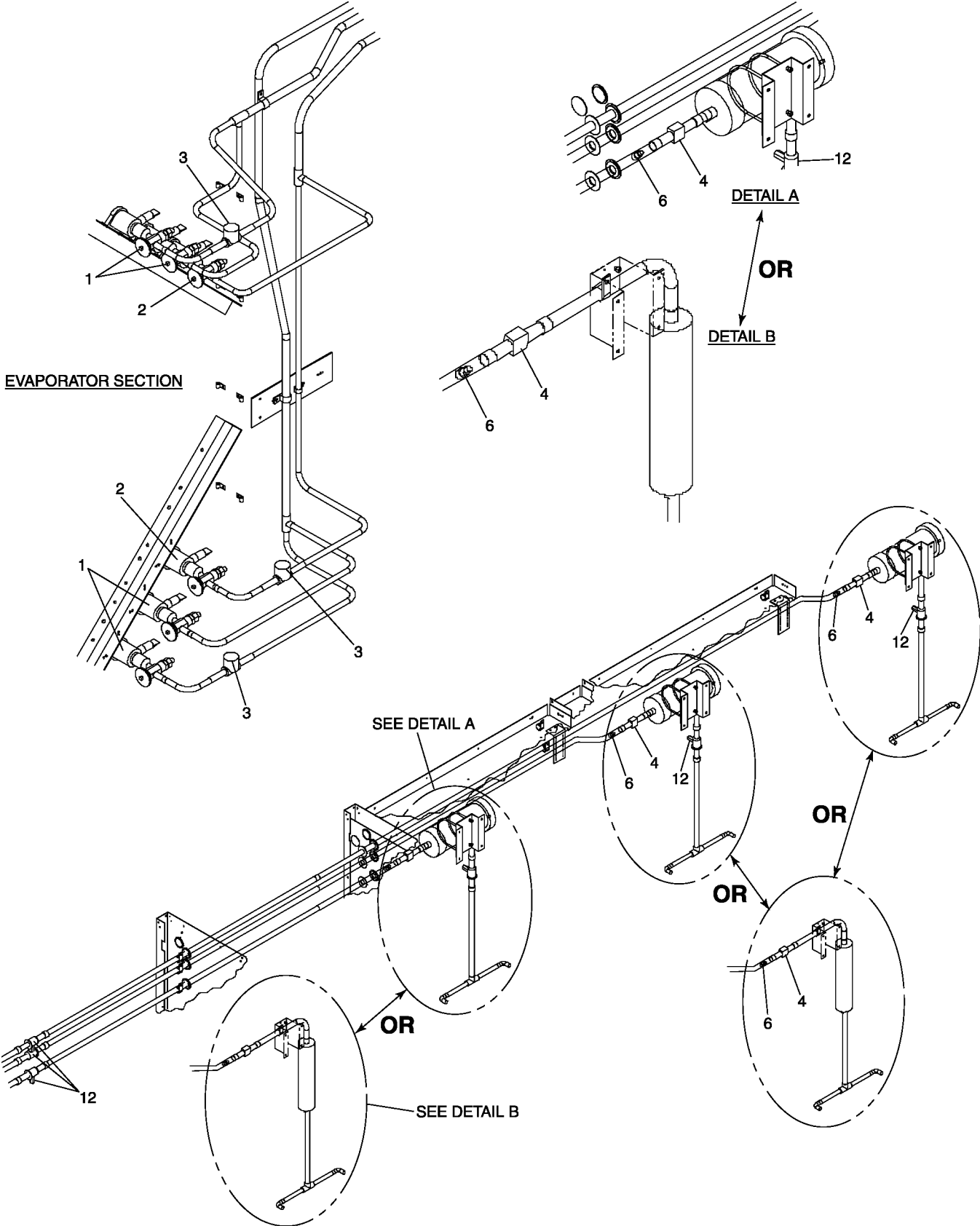
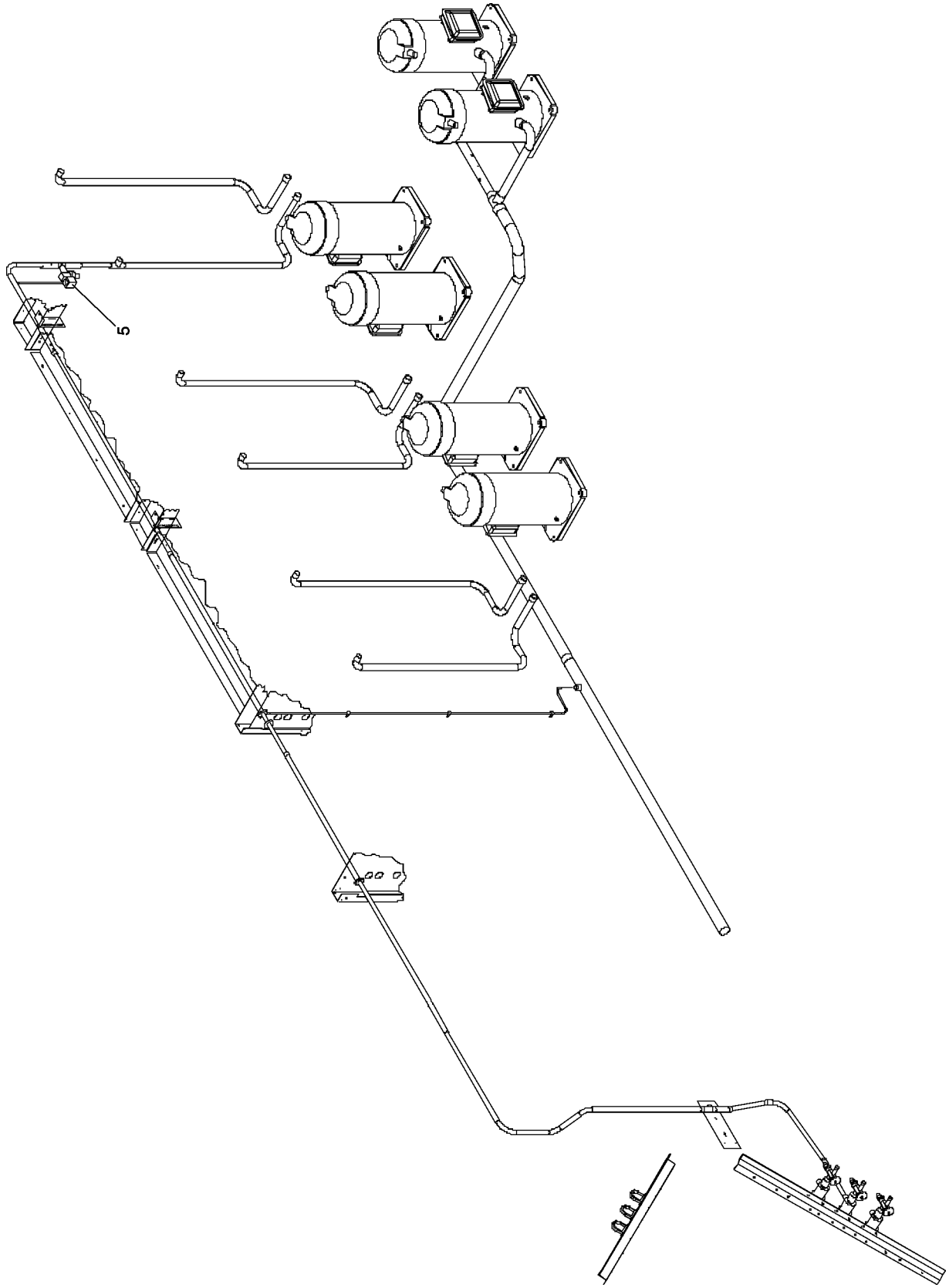
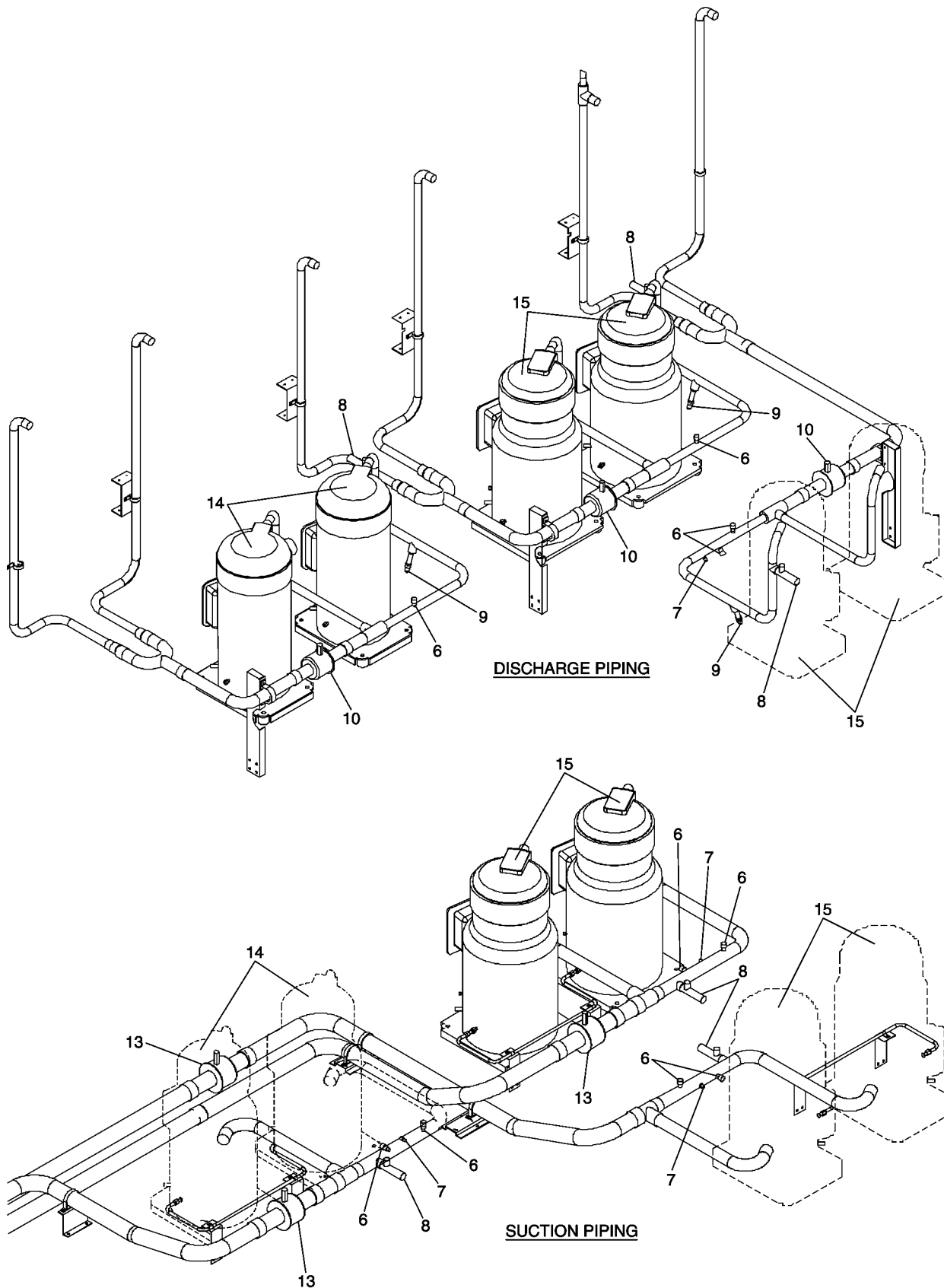


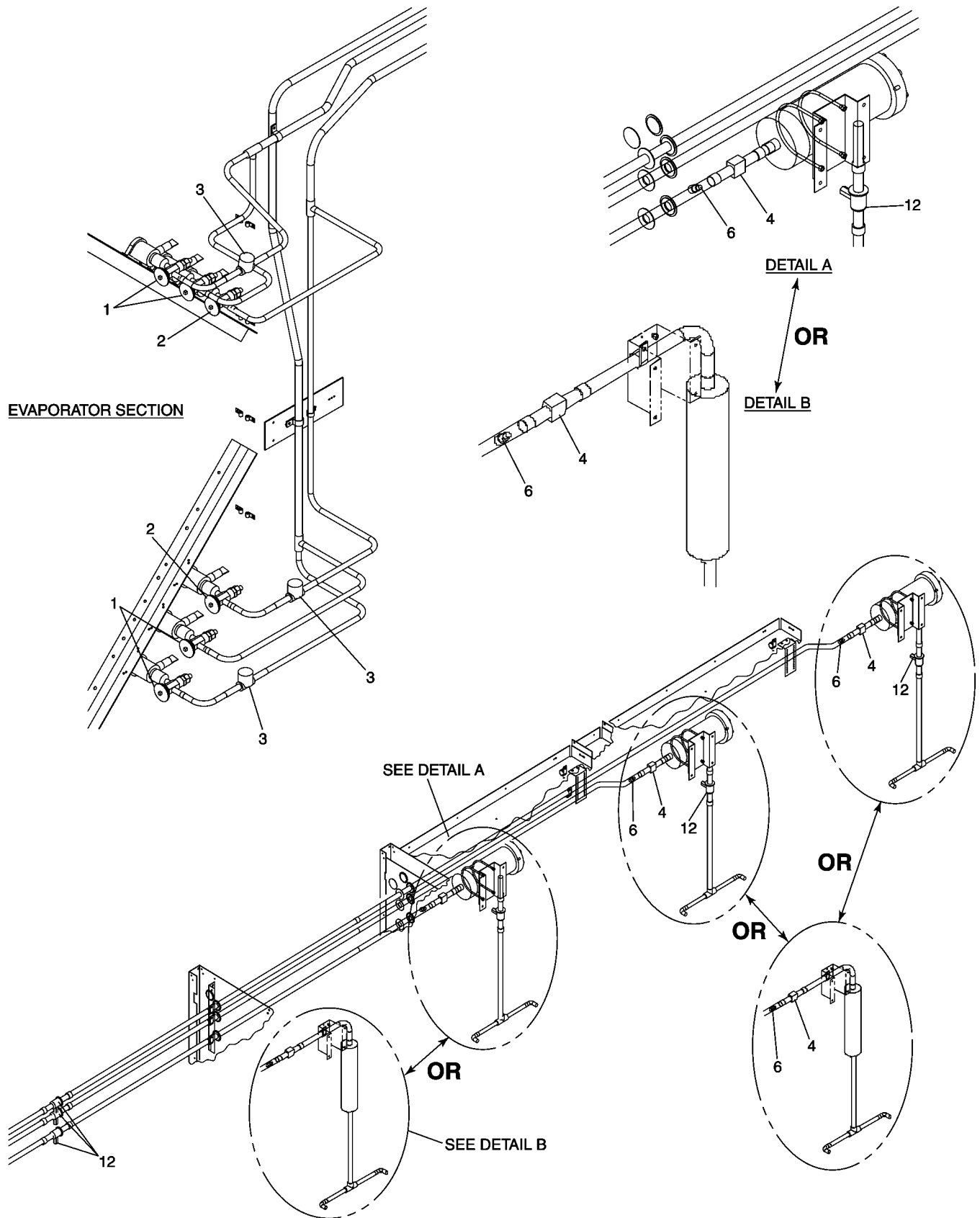
FIGURE 70 - REFRIGERANT LIQUID PIPING, MANEUROP COMPRESSOR (70-85 TONS)



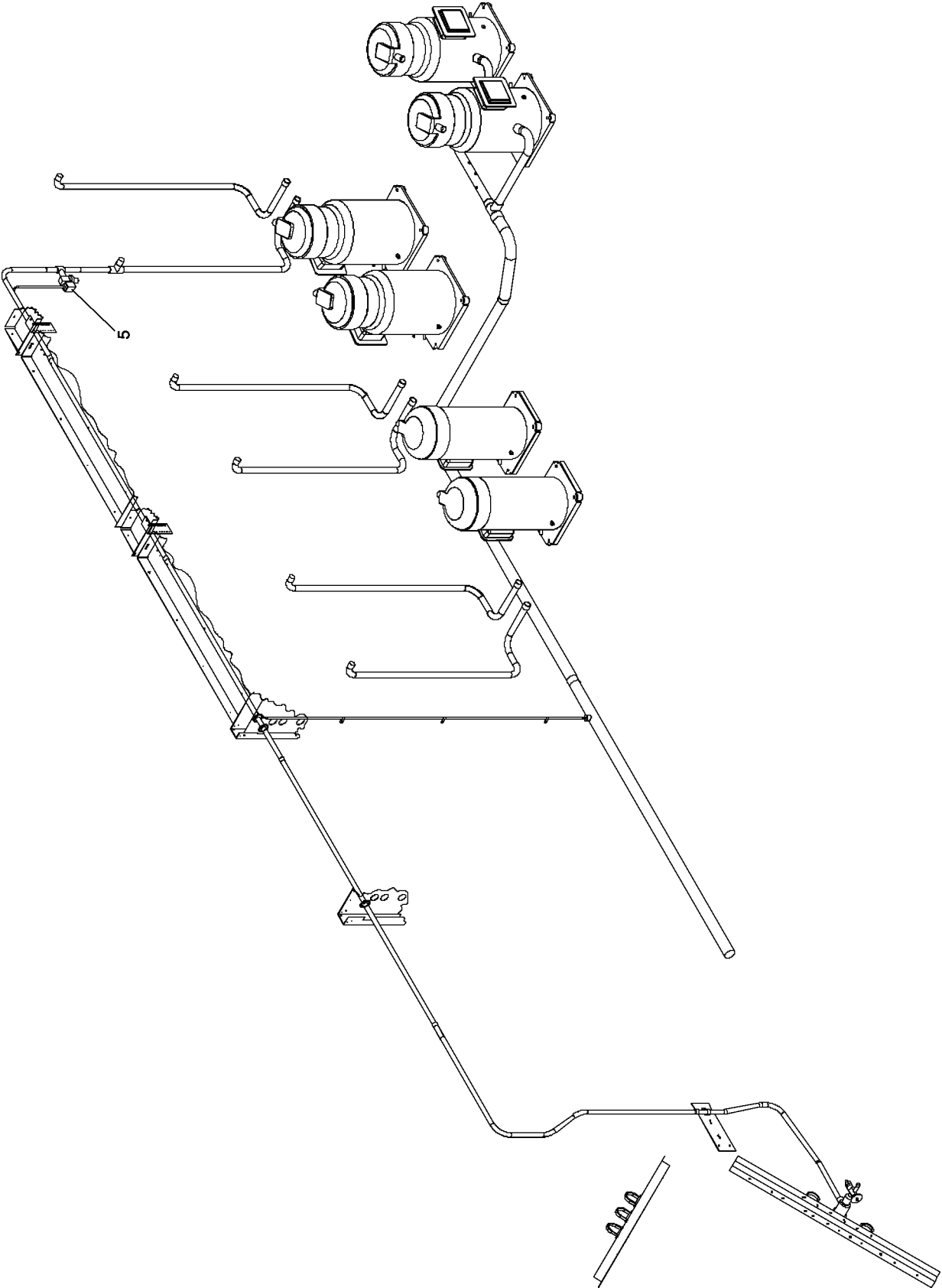
**FIGURE 71 - REFRIGERANT HOT GAS PIPING, MANEUROP COMPRESSOR (70-85 TONS)**



**FIGURE 72 - REFRIGERANT SUCTION AND DISCHARGE PIPING, MANEUROP COMPRESSOR (90-95 TONS)**



**FIGURE 73 - REFRIGERANT LIQUID PIPING, MANEUROP COMPRESSOR (90-95 TONS)**



**FIGURE 74 - REFRIGERANT HOT GAS PIPING, MANEUROP COMPRESSOR (90-95 TONS)**

**TABLE 68 - REFRIGERANT PIPING PARTS WITH COPELAND COMPRESSORS (R407C AND R22)**

FIGURE	ITEM	UNIT SIZE	DESCRIPTION	PART NUMBER	QTY
76	1	50	TXV and Distributor Assembly <sup>1</sup>	026-36383-001	4
76	1	55	TXV and Distributor Assembly <sup>1</sup>	026-36383-002	4
76	1	60	TXV and Distributor Assembly <sup>1</sup>	026-36383-003	4
76	1	65	TXV and Distributor Assembly <sup>1</sup>	026-36383-004	4
79	1	70	TXV and Distributor Assembly <sup>1</sup>	026-36383-006	4
79	2			026-36383-017	2
79	1	75	TXV and Distributor Assembly <sup>1</sup>	026-36383-017	4
79	2			026-36383-018	2
79	1	80	TXV and Distributor Assembly <sup>1</sup>	026-36383-015	4
79	2			026-36383-006	2
79	1	85	TXV and Distributor Assembly <sup>1</sup>	026-36383-017	4
79	2			026-36383-018	2
82	1	90	TXV and Distributor Assembly <sup>1</sup>	026-36383-011	4
82	2			026-36383-012	2
82	1	95	TXV and Distributor Assembly <sup>1</sup>	026-36383-003	4
82	2			026-36383-014	2
76	3	50-55	Solenoid Valve	025-36165-000	2
76	3	60-65	Solenoid Valve	025-36166-000	2
79, 82	3	70-95	Solenoid Valve	025-36166-000	3
76	4	50-65	Sight Glass	026-15305-000	2
79, 82	4	70-95	Sight Glass	026-15305-000	3
77, 80, 83	5	50-95	Hot Gas Bypass Valve	025-36171-000	1
75, 76	6	50-65	Service Valve with Core	022-15213-000	10
78, 79, 81, 82	6	70-95	Service Valve with Core	022-15213-000	15
75	7	50-65	Service Valve without Core	023-06596-000	4
78, 81	7	70-95	Service Valve without Core	023-06596-000	6
75	8	50-65	Charge/Drain/Evacuation Valve	022-09754-000	4
78, 81	8	70-95	Charge/Drain/Evacuation Valve	022-09754-000	6
75	9	50-65	High Pressure Relief Valve	022-10503-000	2
78, 81	9	70-95	High Pressure Relief Valve	022-10503-000	3
75	10	50-65	Discharge Line Shutoff Valve	022-10501-000	2
78, 81	10	70-95	Discharge Line Shutoff Valve	022-10501-000	3
75	11	50-65	Suction Line Shutoff Valve	022-09752-000	2
78	11	70-75	Suction Line Shutoff Valve	022-10501-000	2
78	13	70-75	Suction Line Shutoff Valve	022-09752-000	1
78, 81	13	80-95	Suction Line Shutoff Valve	022-09752-000	3
76	12	50-65	Liquid Line Shutoff Valve	022-10500-000	2 or 4 <sup>2</sup>
79, 82	12	70-95	Liquid Line Shutoff Valve	022-10500-000	3 or 6 <sup>3</sup>

<sup>1</sup>See Table 71 for separate TXV and distributor part numbers.

<sup>2</sup>Quantity is 4 on units with replaceable filter drier cores.

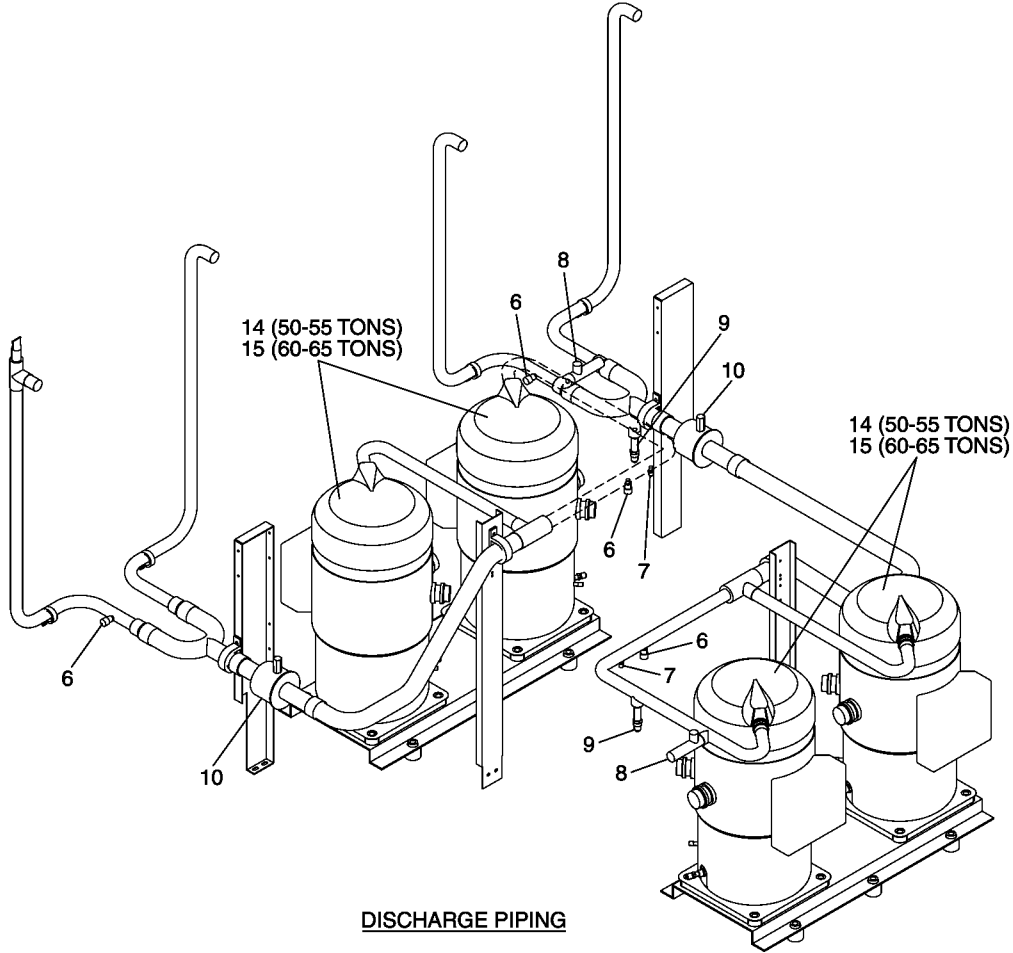
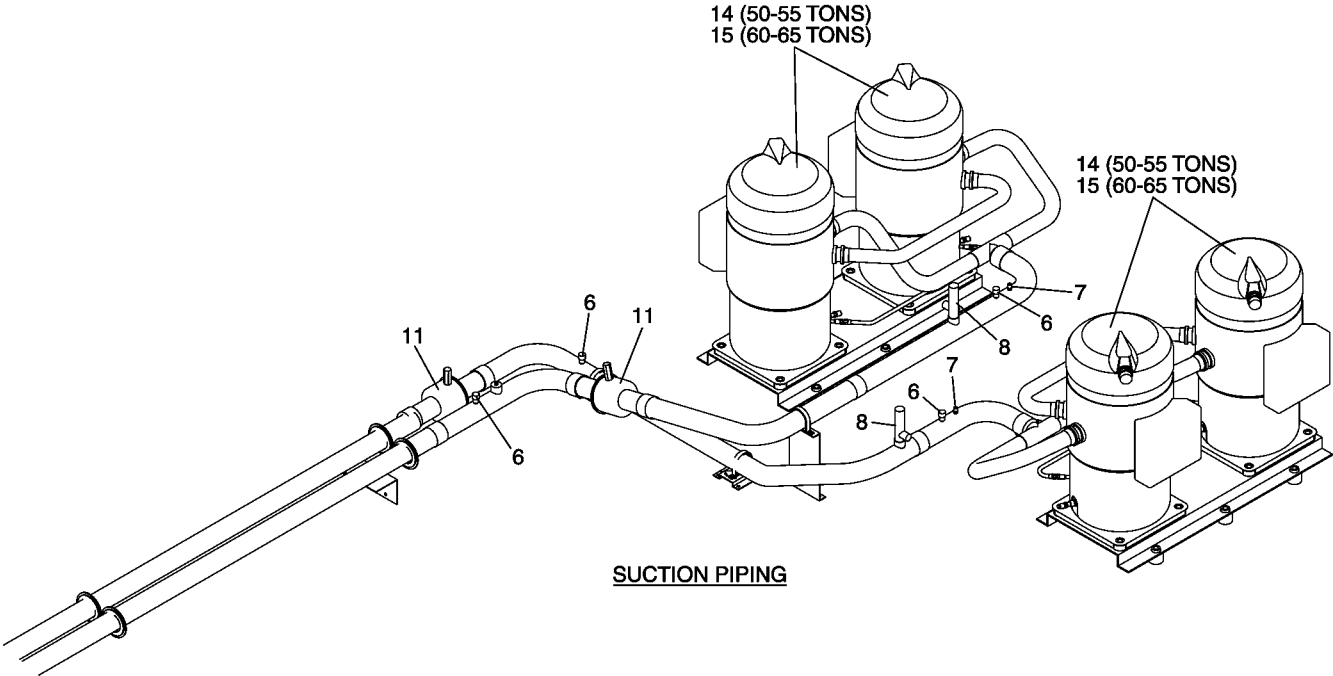
<sup>3</sup>Quantity is 6 on units with replaceable filter drier cores.

**TABLE 69 - COMPRESSORS, SCROLL, COPELAND (R407C)**

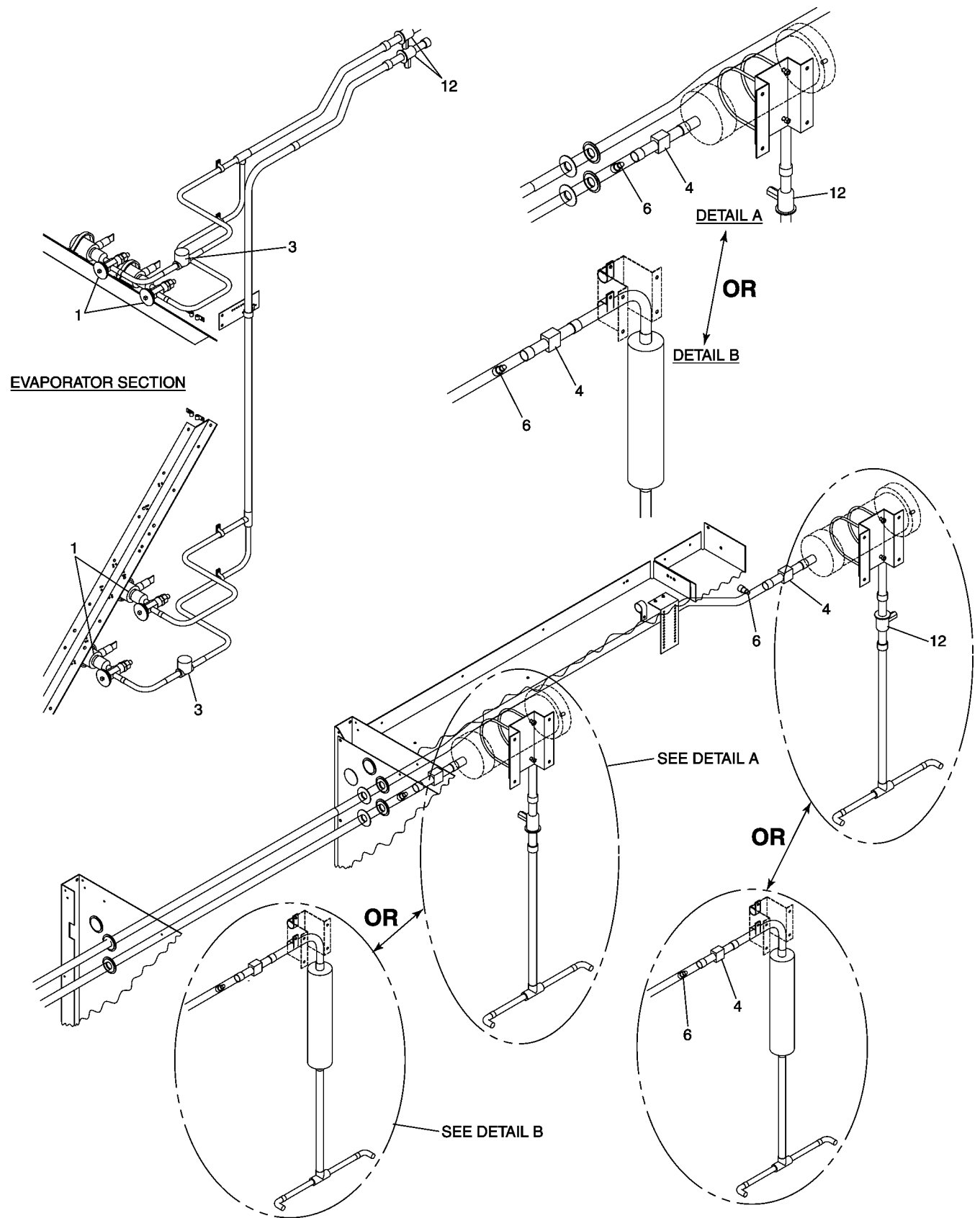
FIGURE	ITEM	UNIT SIZE	VOLTAGE	HERTZ	HORSEPOWER	PART NUMBER	QUANTITY
75	14	50-55	200, 230	60	12	015-02897-301	4
75	14		460	60	12	015-02897-304	4
75	14		575	60	12	015-02897-305	4
75	14		400	50	12	015-02897-304	4
75	14		380	60	12	015-02897-302	4
75	15	60-65	200, 230	60	15	015-02894-301	4
75	15		460	60	15	015-02894-304	4
75	15		575	60	15	015-02894-305	4
75	15		400	50	15	015-02894-304	4
75	15		380	60	15	015-02894-302	4
78	14	70-75	200, 230	60	12	015-02897-301	2
78	15				10	015-02896-301	4
78	14		460	60	12	015-02897-304	2
78	15				10	015-02896-304	4
78	14		575	60	12	015-02897-305	2
78	15				10	015-02896-305	4
78	14		400	50	12	015-02897-304	2
78	15				10	015-02896-304	4
78	14		380	60	12	015-02897-302	2
78	15				10	015-02896-302	4
78	14	80-85	200, 230	60	12	015-02897-301	6
78	14		460	60	12	015-02897-304	6
78	14		575	60	12	015-02897-305	6
78	14		400	50	12	015-02897-304	6
78	14		380	60	12	015-02897-302	6
81	14	90-95	200, 230	60	12	015-02897-301	2
81	15				15	015-02894-301	4
81	14		460	60	12	015-02897-304	2
81	15				15	015-02894-304	4
81	14		575	60	12	015-02897-305	2
81	15				15	015-02894-305	4
81	14		400	50	12	015-02897-304	2
81	15				15	015-02894-304	4
81	14		380	60	12	015-02897-302	2
81	15				15	015-02894-302	4

**TABLE 70 - COMPRESSORS, SCROLL, COPELAND (R22)**

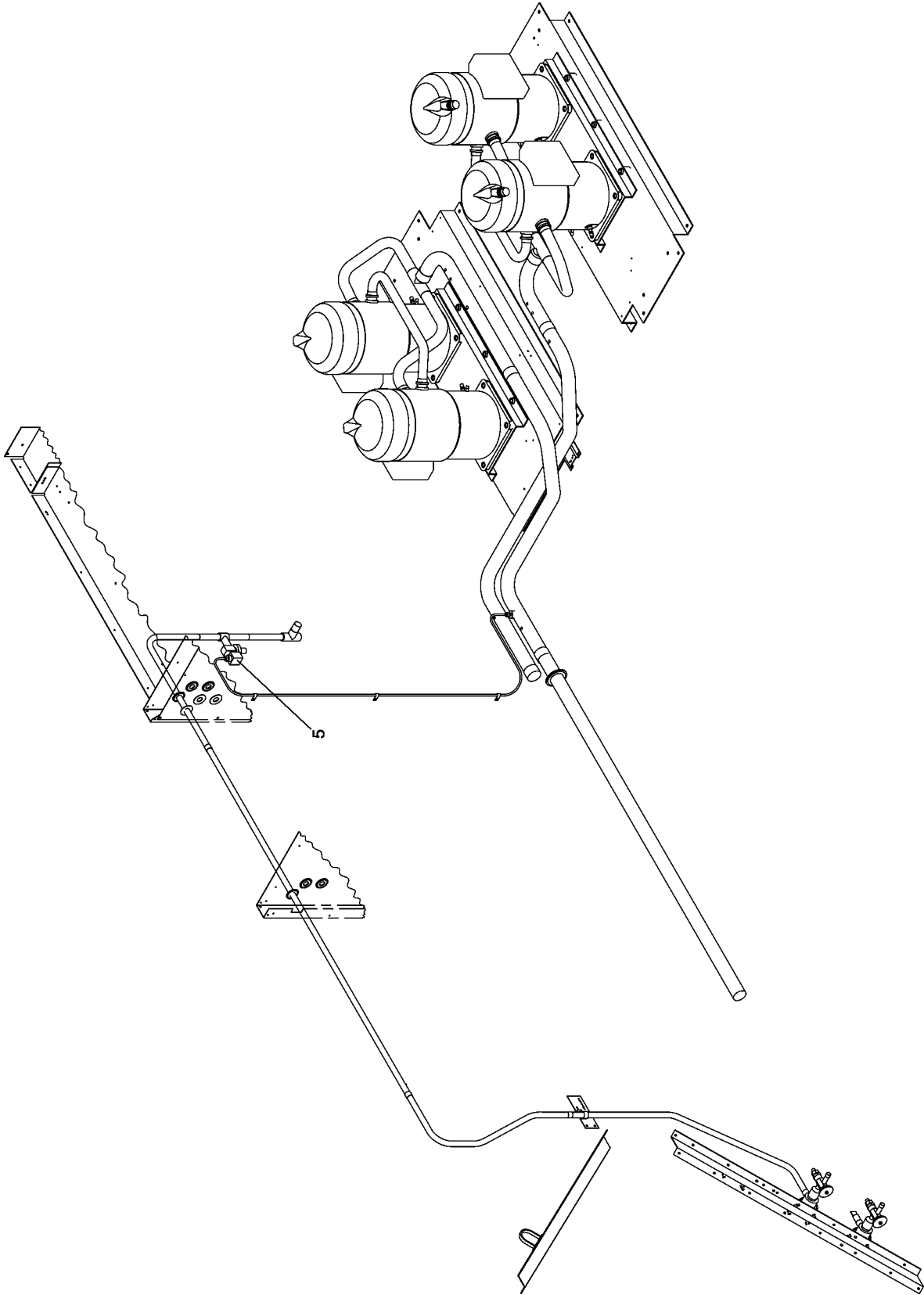
FIGURE	ITEM	UNIT SIZE	VOLTAGE	HERTZ	HORSEPOWER	PART NUMBER	QUANTITY
75	14	50-55	200, 230	60	12	015-02897-101	4
75	14		460	60	12	015-02897-104	4
75	14		575	60	12	015-02897-105	4
75	14		400	50	12	015-02897-104	4
75	14		380	60	12	015-02897-102	4
75	15	60-65	200, 230	60	15	015-02894-101	4
75	15		460	60	15	015-02894-104	4
75	15		575	60	15	015-02894-105	4
75	15		400	50	15	015-02894-104	4
75	15		380	60	15	015-02894-102	4
78	14	70-75	200, 230	60	12	015-02897-101	2
78	15				10	015-02896-101	4
78	14		460	60	12	015-02897-104	2
78	15				10	015-02896-104	4
78	14		575	60	12	015-02897-105	2
78	15				10	015-02896-105	4
78	14		400	50	12	015-02897-104	2
78	15				10	015-02896-104	4
78	14		380	60	12	015-02897-102	2
78	15				10	015-02896-102	4
78	14	80-85	200, 230	60	12	015-02897-101	6
78	14		460	60	12	015-02897-104	6
78	14		575	60	12	015-02897-105	6
78	14		400	50	12	015-02897-104	6
78	14		380	60	12	015-02897-102	6
81	14	90-95	200, 230	60	12	015-02897-101	2
81	15				15	015-02894-101	4
81	14		460	60	12	015-02897-104	2
81	15				15	015-02894-104	4
81	14		575	60	12	015-02897-105	2
81	15				15	015-02894-105	4
81	14		400	50	12	015-02897-104	2
81	15				15	015-02894-104	4
81	14		380	60	12	015-02897-102	2
81	15				15	015-02894-102	4



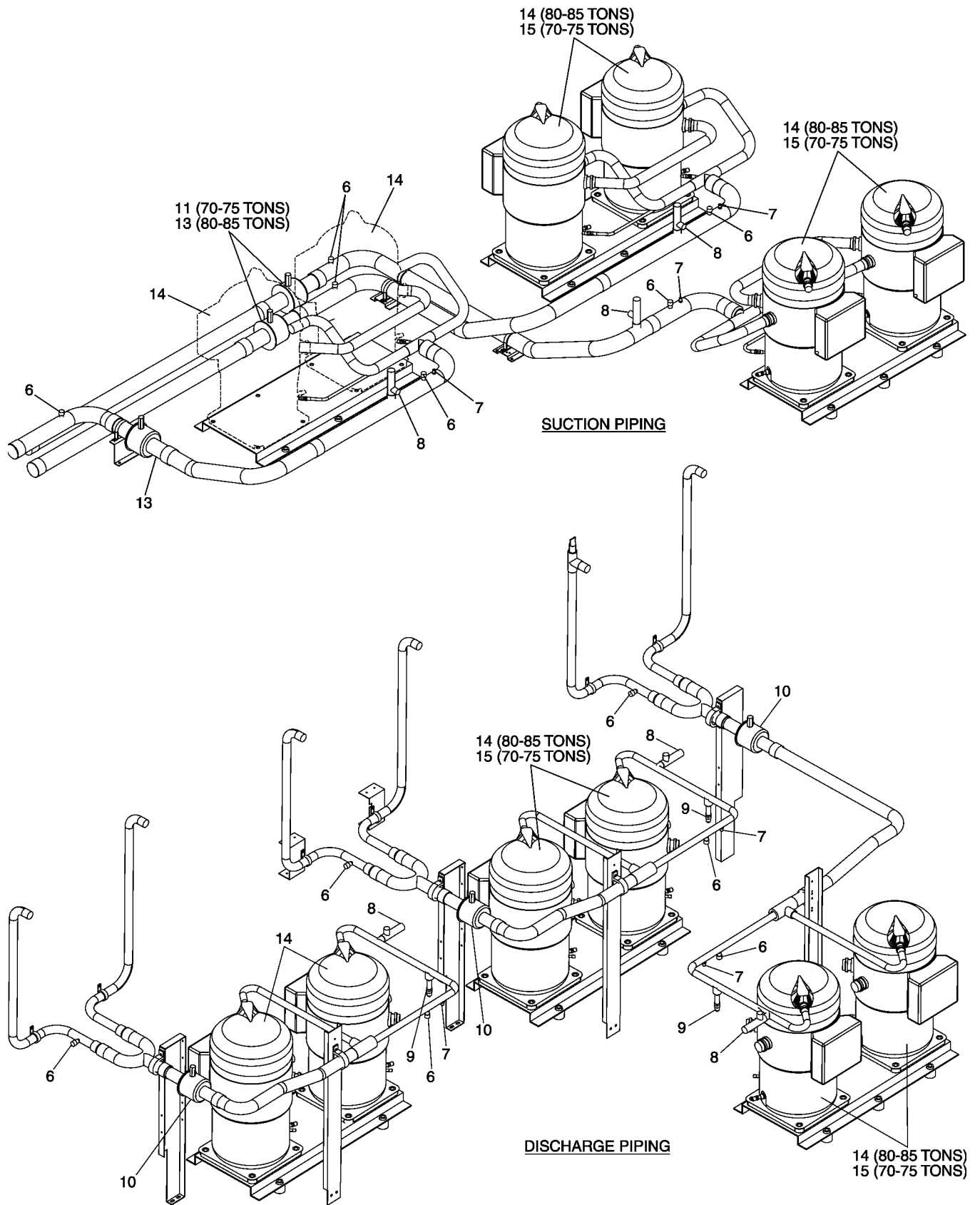
**FIGURE 75 - REFRIGERANT SUCTION AND DISCHARGE PIPING, COPELAND COMPRESSOR (50-65 TONS)**



**FIGURE 76 - REFRIGERANT LIQUID PIPING, COPELAND COMPRESSOR (50-65 TONS)**



**FIGURE 77 - REFRIGERANT HOT GAS PIPING, COPELAND COMPRESSOR (50-65 TONS)**



**FIGURE 78 - REFRIGERANT SUCTION AND DISCHARGE PIPING, COPELAND COMPRESSOR (70-85 TONS)**

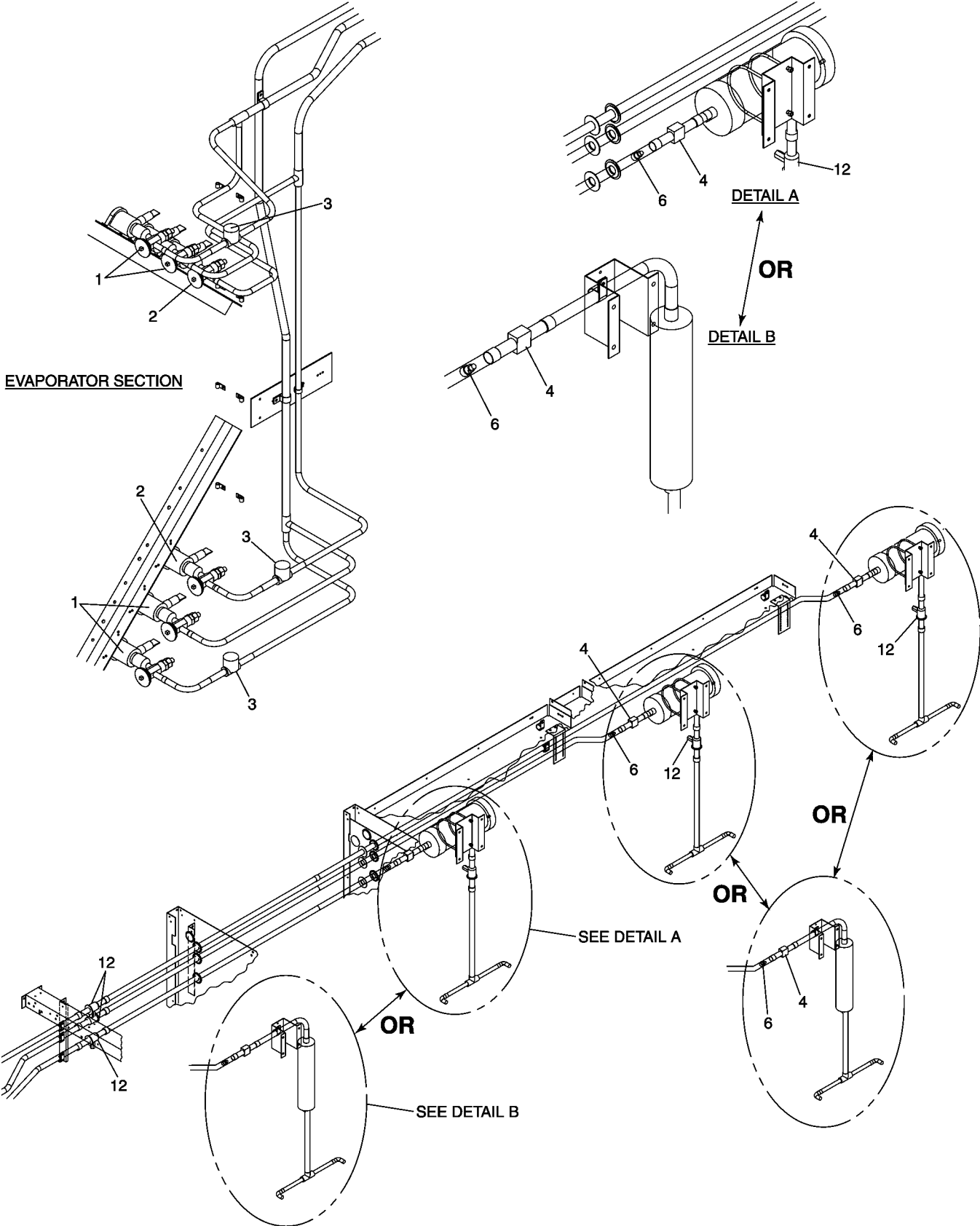
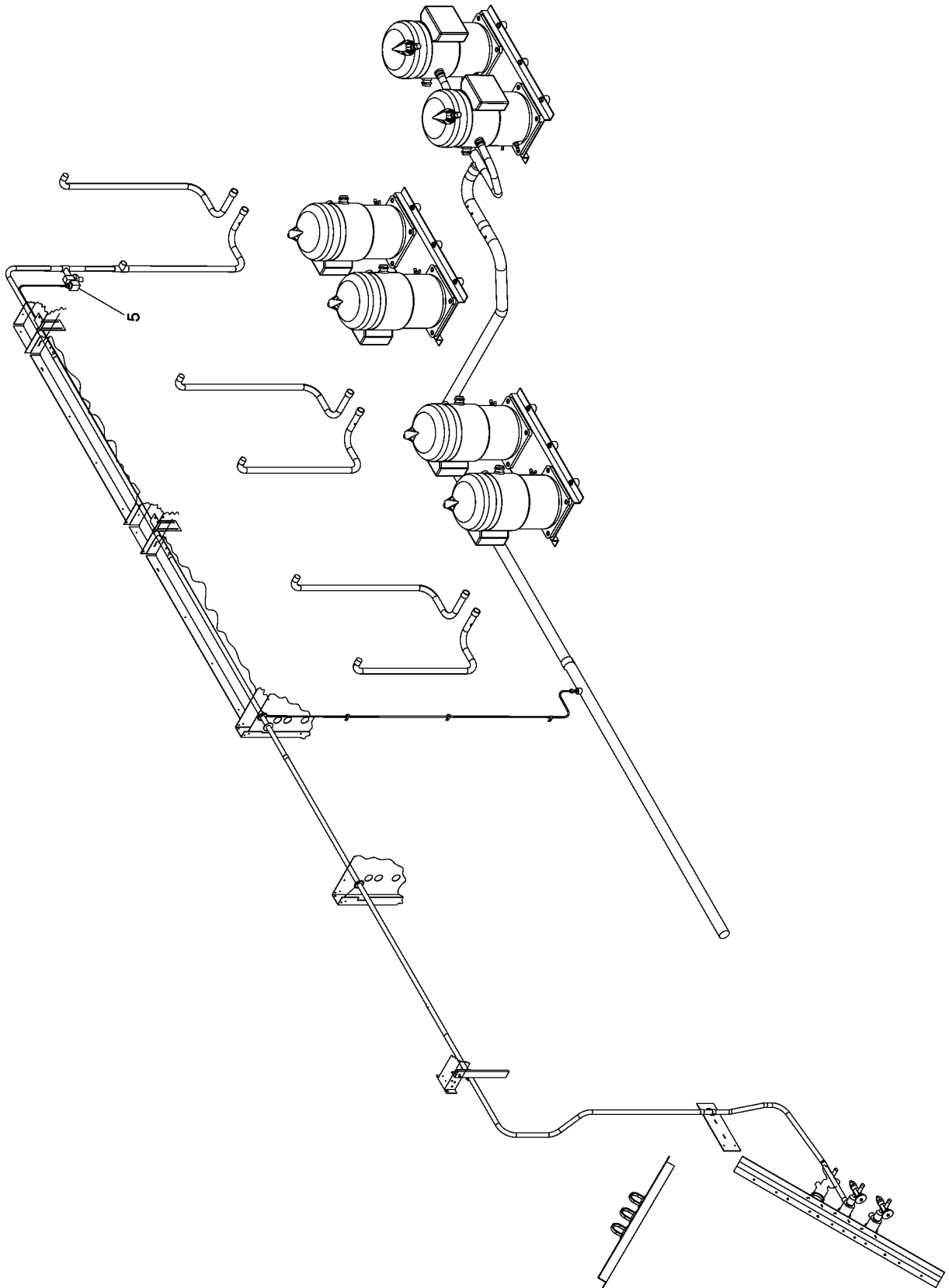
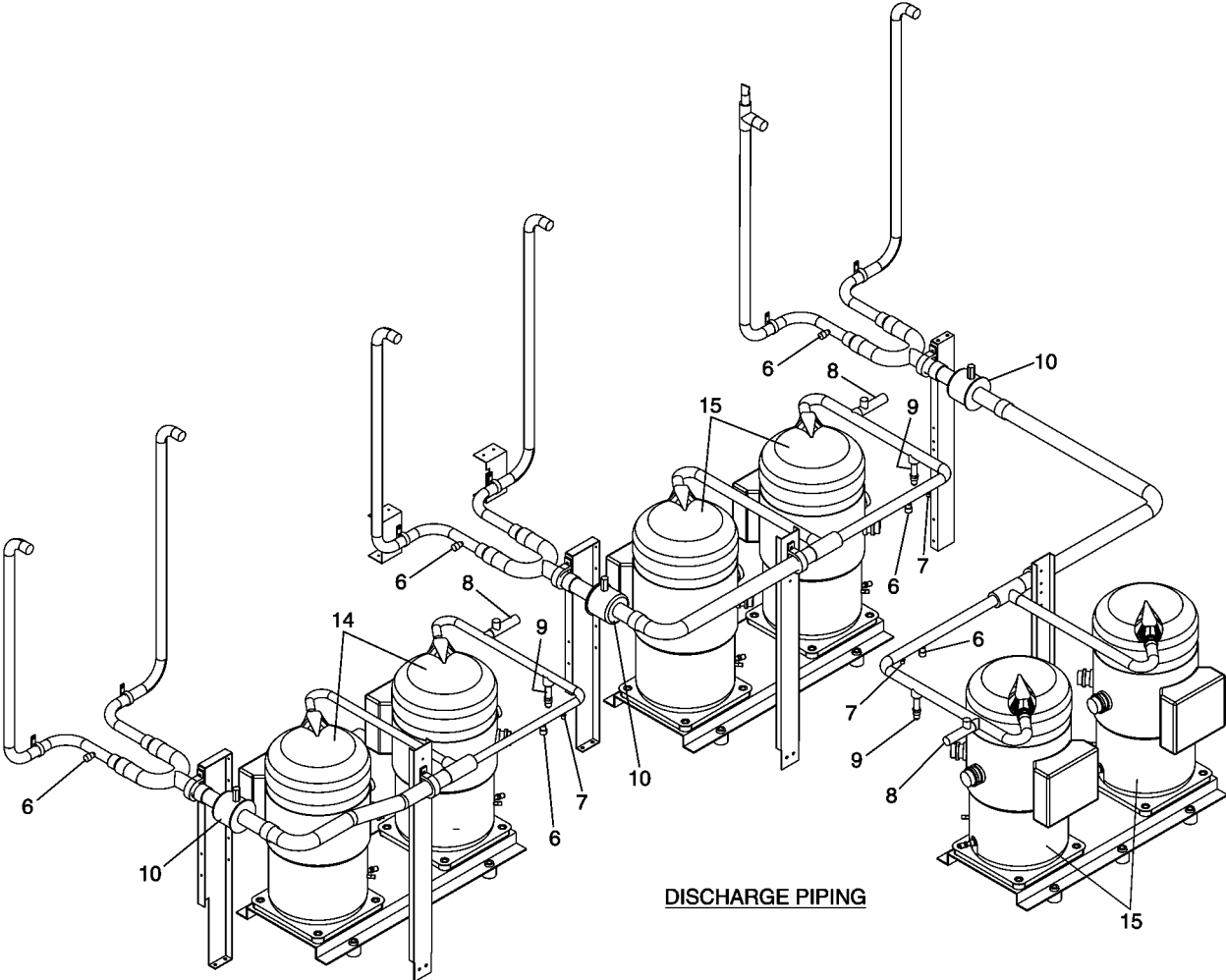
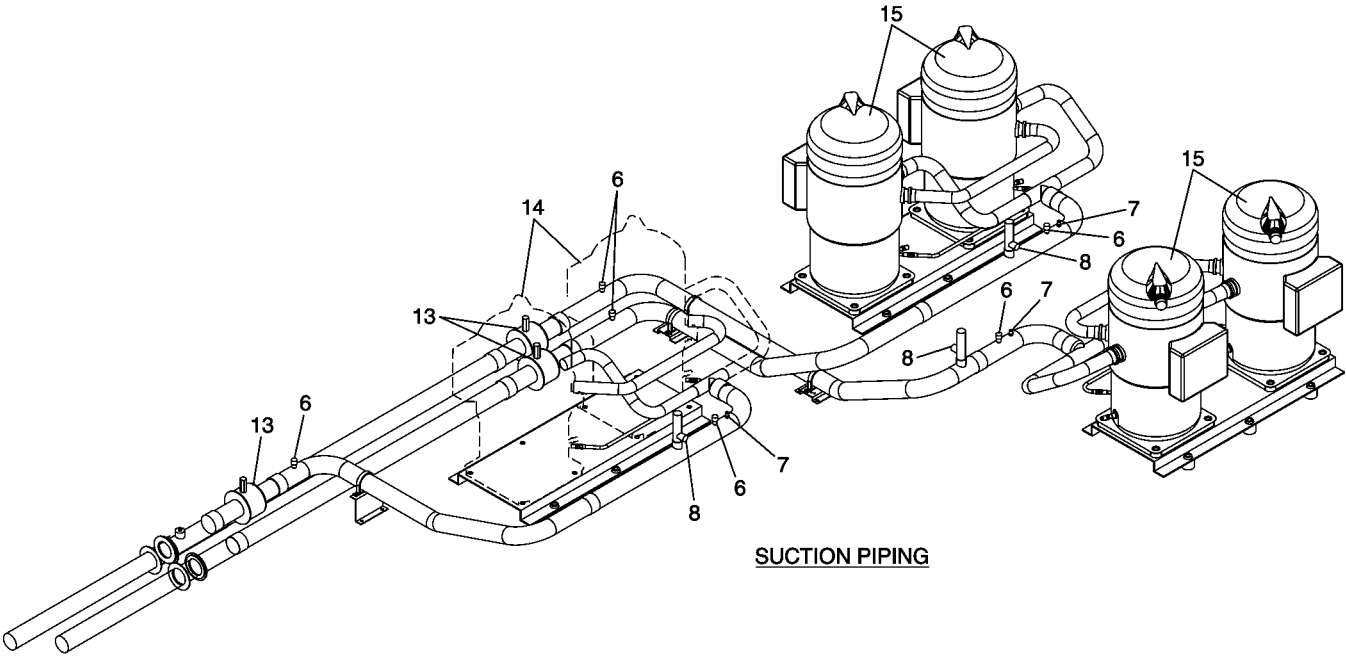


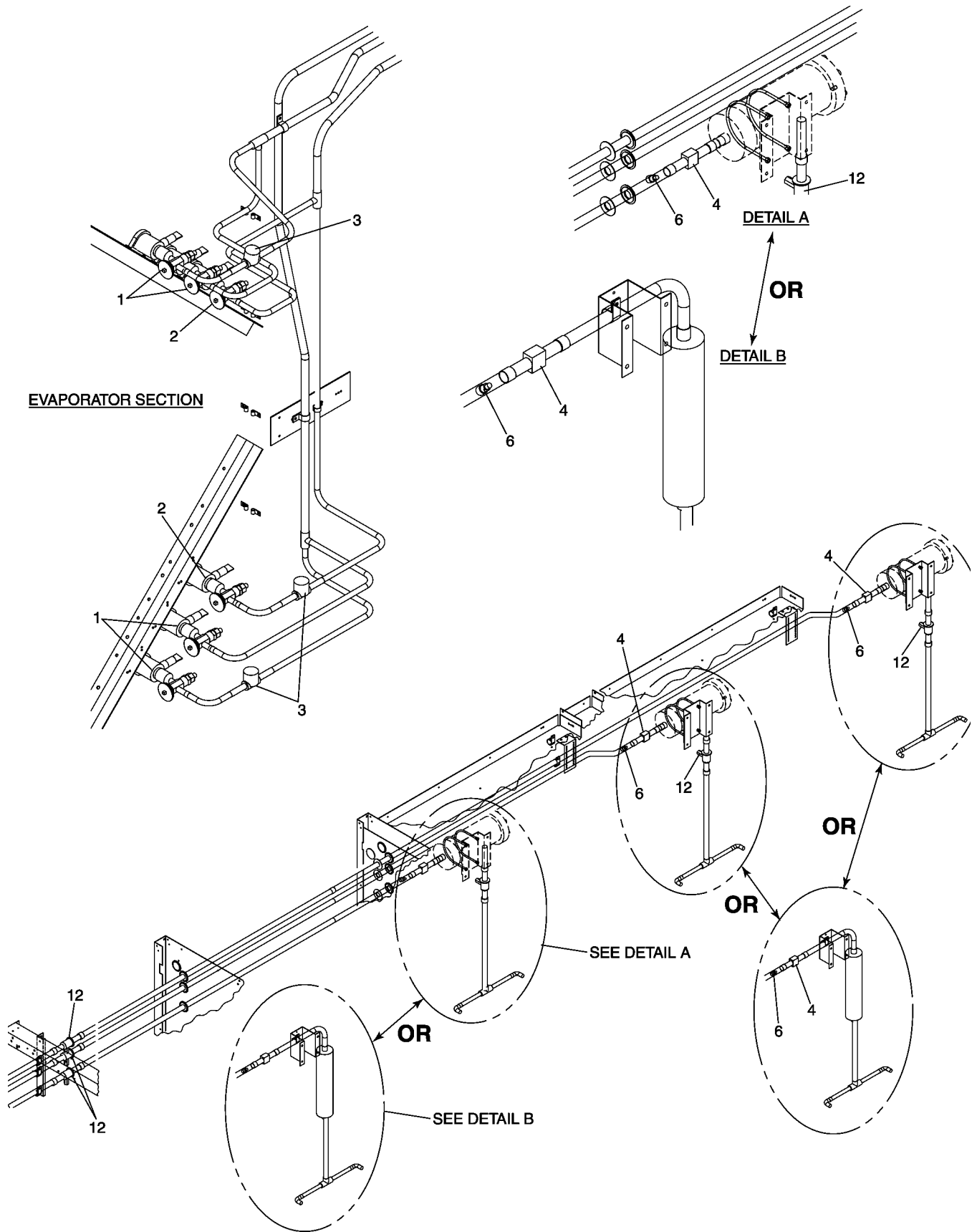
FIGURE 79 - REFRIGERANT LIQUID PIPING, COPELAND COMPRESSOR (70-85 TONS)



**FIGURE 80 - REFRIGERANT HOT GAS PIPING, COPELAND COMPRESSOR (70-85 TONS)**



**FIGURE 81 - REFRIGERANT SUCTION AND DISCHARGE PIPING, COPELAND COMPRESSOR (90-95 TONS)**



**FIGURE 82 - REFRIGERANT LIQUID PIPING, COPELAND COMPRESSOR (90-95 TONS)**

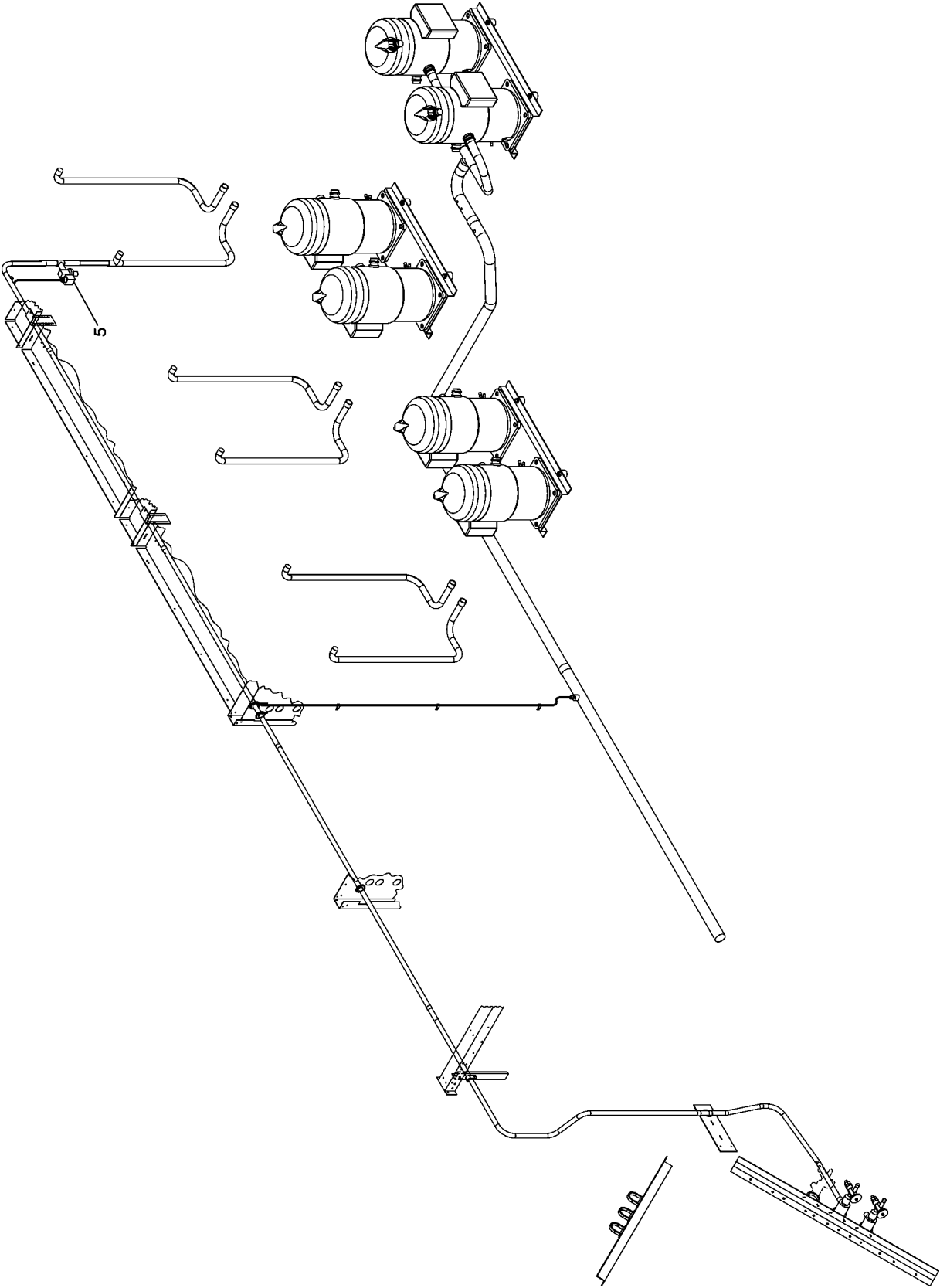


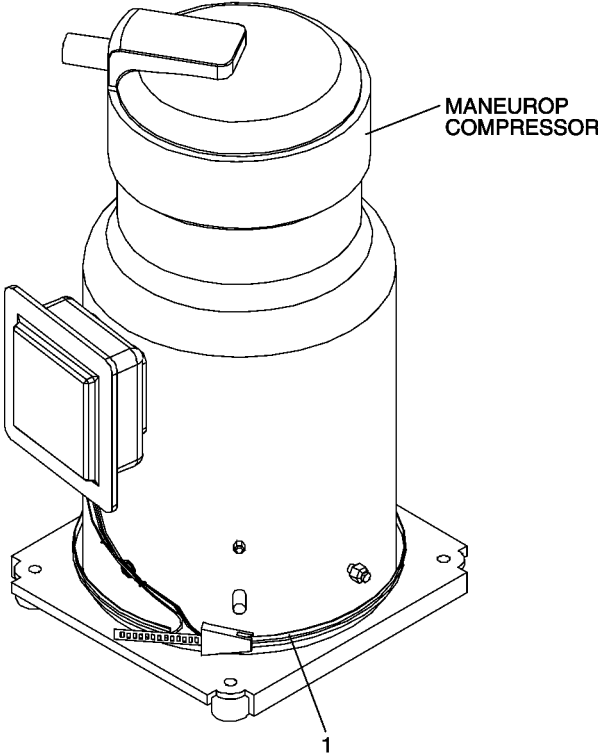
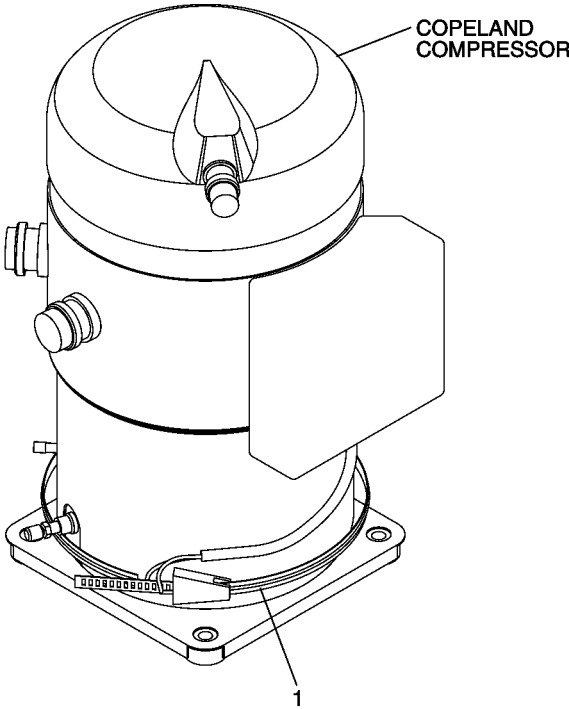
FIGURE 83 - REFRIGERANT HOT GAS PIPING, COPELAND COMPRESSOR (90-95 TONS)

**TABLE 71 - THERMAL EXPANSION VALVES AND DISTRIBUTORS**

THERMAL EXPANSION VALVE AND DISTRIBUTOR ASSEMBLY PART NUMBER	THERMAL EXPANSION VALVE PART NUMBER	DISTRIBUTOR PART NUMBER
026-36383-001	025-36361-000	025-36359-000
026-36383-002	025-36360-000	025-36358-000
026-36383-003	025-36360-000	025-36358-000
026-36383-004	025-36363-000	025-36357-000
026-36383-006	025-36361-000	025-36356-000
026-36383-011	025-36360-000	025-36354-000
026-36383-012	025-36364-000	025-36356-000
026-36383-014	025-36360-000	025-36355-000
026-36383-015	025-36362-000	025-36354-000
026-36383-017	025-36362-000	025-36358-000
026-36383-018	025-36362-000	025-36355-000

**TABLE 72 - COMPRESSOR CRANKCASE HEATERS**

FIGURE	ITEM	COMPRESSOR TYPE	COMPRESSOR HORSEPOWER	VOLTAGE	WATTAGE	PART NUMBER
84	1	Maneurop	10	120	50	025-35139-000
84	1	Maneurop	12	120	50	025-35139-000
84	1	Maneurop	15	120	100	025-36290-000
84	1	Copeland	10	120	70	025-37888-000
84	1	Copeland	12	120	70	025-37888-000
84	1	Copeland	15	120	70	025-37888-000



**FIGURE 84 - COMPRESSOR CRANKCASE HEATERS (50-95 TONS)**

**TABLE 73 - COMPRESSOR SOUND BLANKET KITS, MANEUROP**

UNIT SIZE	PART NUMBER	QUANTITY
50-55	010-05988-007	1
60-65	010-05988-009	1
70-75	010-05988-006	1
	010-05988-003	1
80-85	010-05988-011	1
90-95	010-05988-009	1
	010-05988-003	1

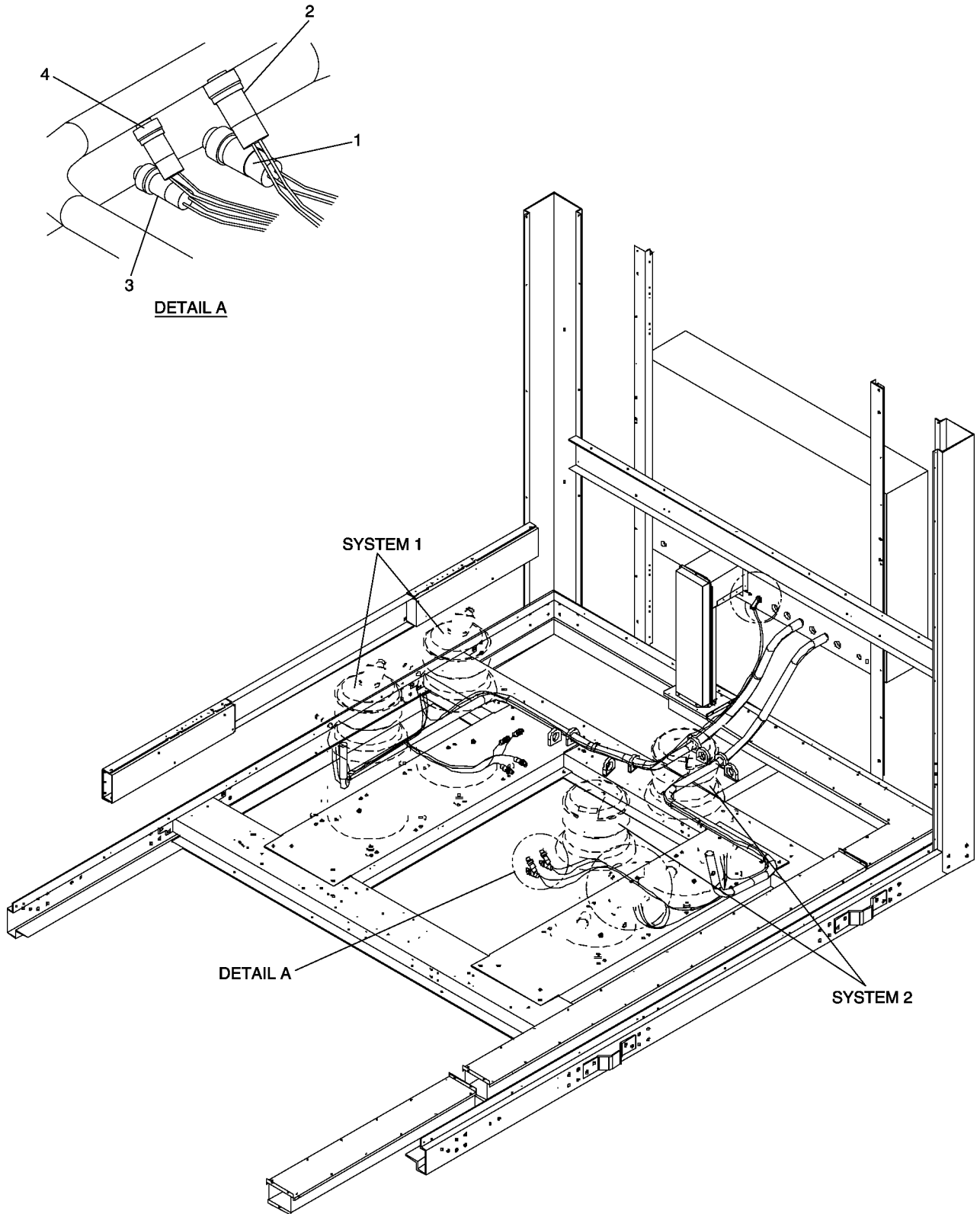
**TABLE 74 - COMPRESSOR SOUND BLANKET KITS, COPELAND**

UNIT SIZE	PART NUMBER	QUANTITY
50-55	010-06507-003	4
60-65	010-06507-002	4
70-75	010-06507-003	6
80-85	010-06507-003	6
90-95	010-06507-002	4
	010-06507-003	2

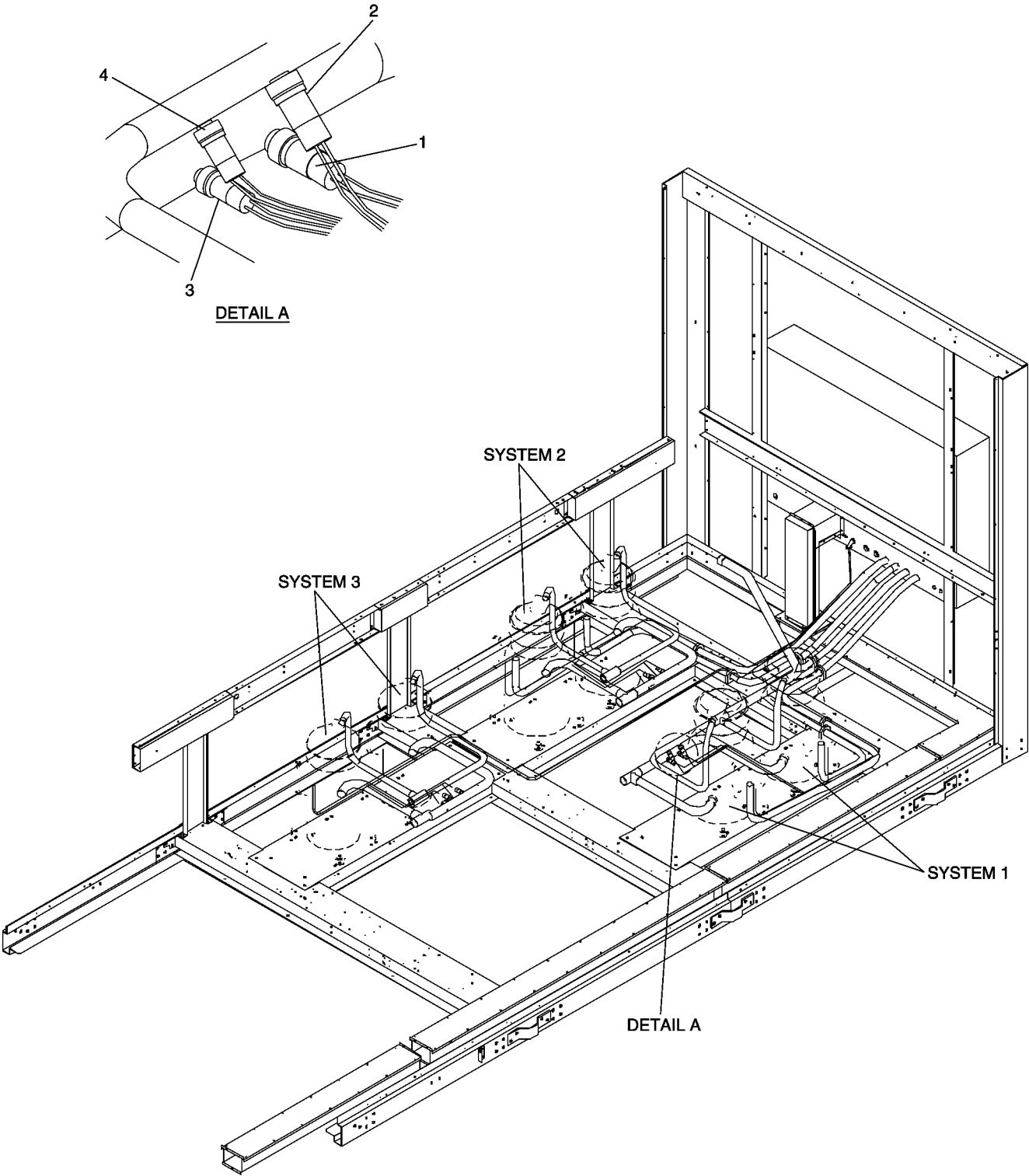
**TABLE 75 - TRANSDUCERS, SWITCHES, AND SENSORS**

FIGURE	ITEM	LOCATION	DESCRIPTION	PART NUMBER
85, 86, 87, 88	1	Condenser Section	Suction Pressure Transducer	325-36420-001
85, 86, 87, 88	2	Condenser Section	Discharge Pressure Transducer	325-36420-002
85, 86, 87, 88	3	Condenser Section	Low Pressure Safety Cut-Out Switch	025-36388-003
85, 86	4	Condenser Section	High Pressure Safety Cut-Out Switch (Maneurop Compressor)	025-36120-001
87, 88	4	Condenser Section	High Pressure Safety Cut-Out Switch (R407C) (Copeland Compressor)	025-36351-000
87, 88	4	Condenser Section	High Pressure Safety Cut-Out Switch (R22) (Copeland Compressor)	025-28985-002
89	1	Heat Section	Hot Water and Steam Heat Freezestat	025-35787-002
90	1	Supply Air Section	Air Proving Switch	025-36115-001
90	2	Supply Air Section	Supply Air Temperature Sensor (Cooling Only)	025-35782-001
90	3	Supply Air Section	Supply Air Temperature Sensor (Cooling with Heat)	025-35797-001
91, 92	1	Evaporator Section	Evaporator Temperature Sensor (R22)	025-36119-001
91, 92	1	Evaporator Section	Evaporator Temperature Sensor (R407C)	025-36119-002
93	1	Evaporator Section	Flexsys Evaporator Temperature Sensor (Old)	025-35781-001
30	4	Evaporator Section	Flexsys Evaporator Temperature Sensor (New)	025-35797-001
94	1	Filter Section	Dirty Filter Switch	025-36116-000
94	2	Filter Section	Negative Pressure Switch	025-36115-002
95	1	Economizer Section	Air Measuring Station Transducer	025-36365-010
95	2	Economizer Section	Building Pressure Transducer	025-36365-007
95	3	Economizer Section	Duct Pressure Transducer	025-36365-004
95	4	Economizer Section	Outside Air Temperature Sensor (Internal)	025-36107-000
95	5	Economizer Section	Outside Air Temperature and Humidity Sensor	025-35779-003
95	6	Economizer Section	Return Air Temperature Sensor	025-36107-000
95	7	Economizer Section	Return Air Temperature and Humidity Sensor	025-35779-003
95	8	Economizer Section	Return Fan Pressure Transducer	025-36365-008
96	1	Economizer Section	Outside Air Temperature Sensor (External)	025-35784-001
*		Inside Building	Carbon Dioxide Sensor	025-35789-002
*		Inside Building	4 Stage Thermostat	025-36259-000
*		Inside Building	Zone Sensor with Scaled Adjustment	025-35777-001
*		Inside Building	Zone Sensor without Adjustment	025-35777-002
*		Inside Building	Zone Sensor with Adjustment	025-35777-003

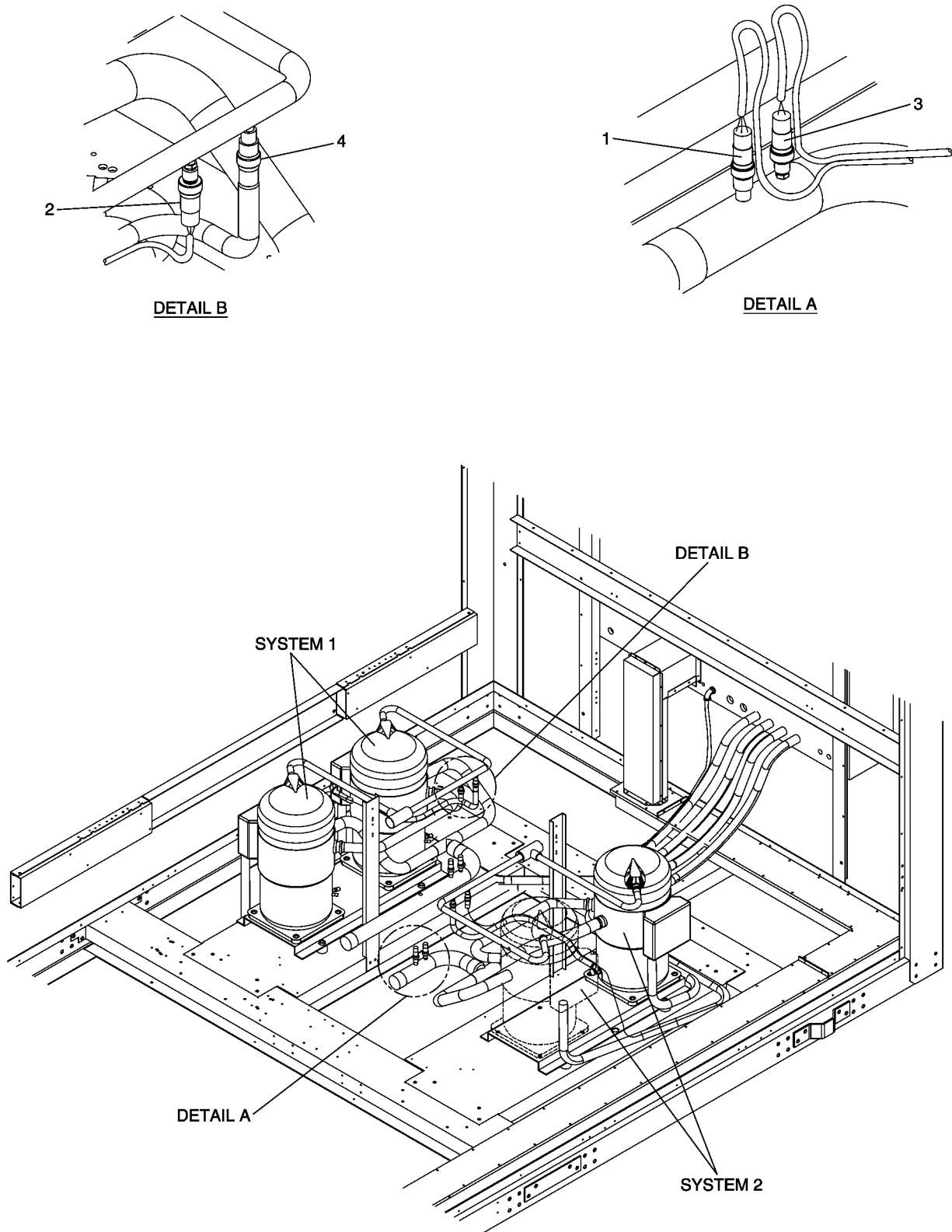
\*Item not shown.



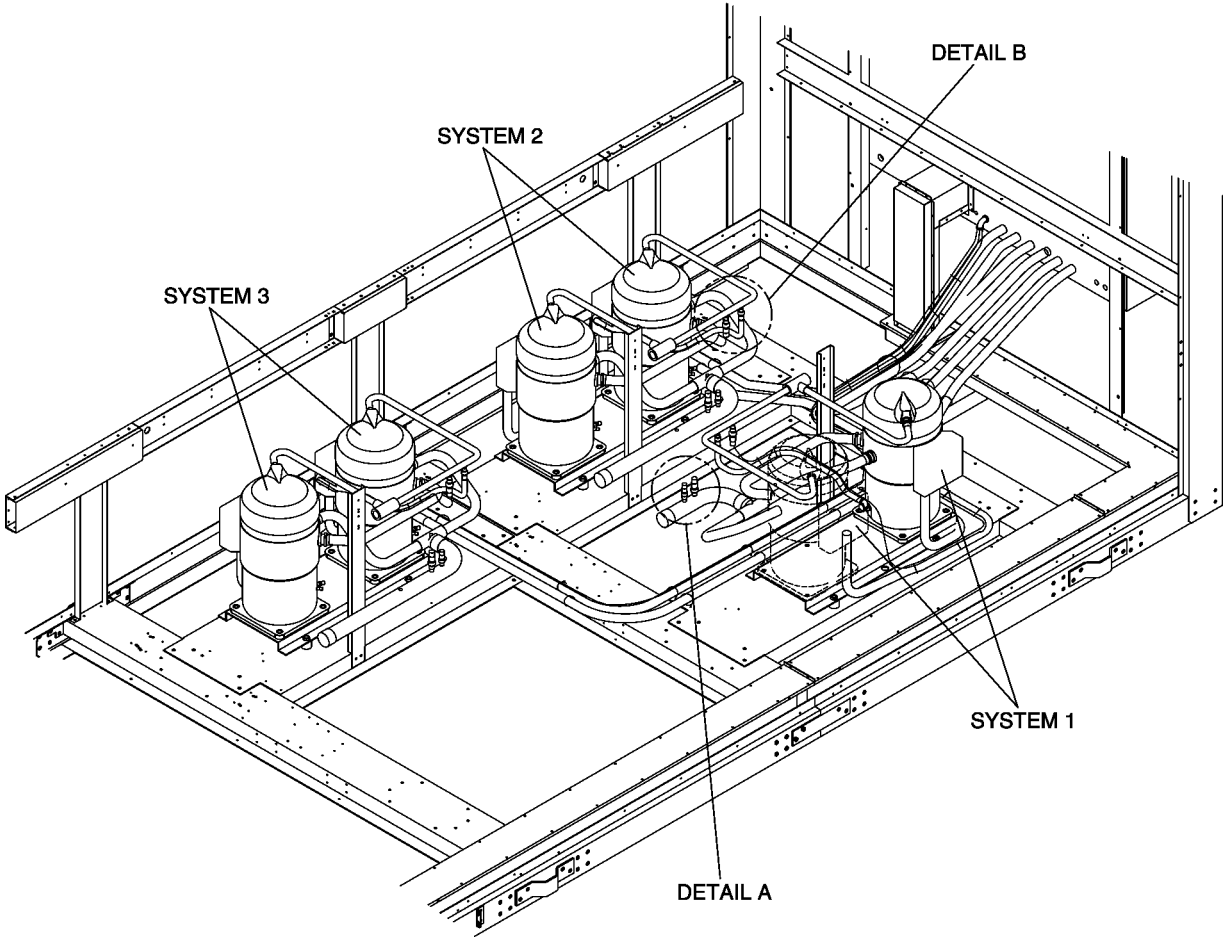
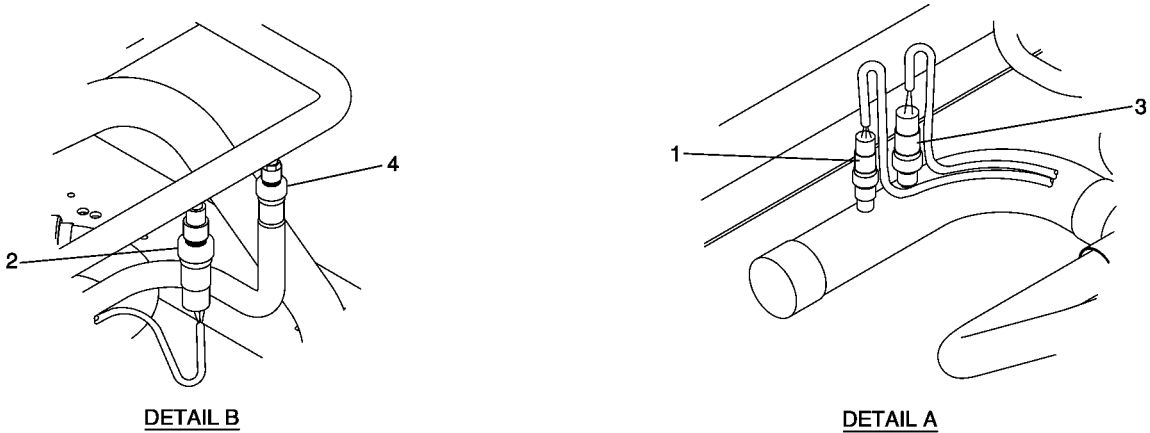
**FIGURE 85 - SUCTION AND DISCHARGE PRESSURE TRANSDUCERS AND SAFETY SWITCHES, MANEUROP COMPRESSOR (50-65 TONS)**



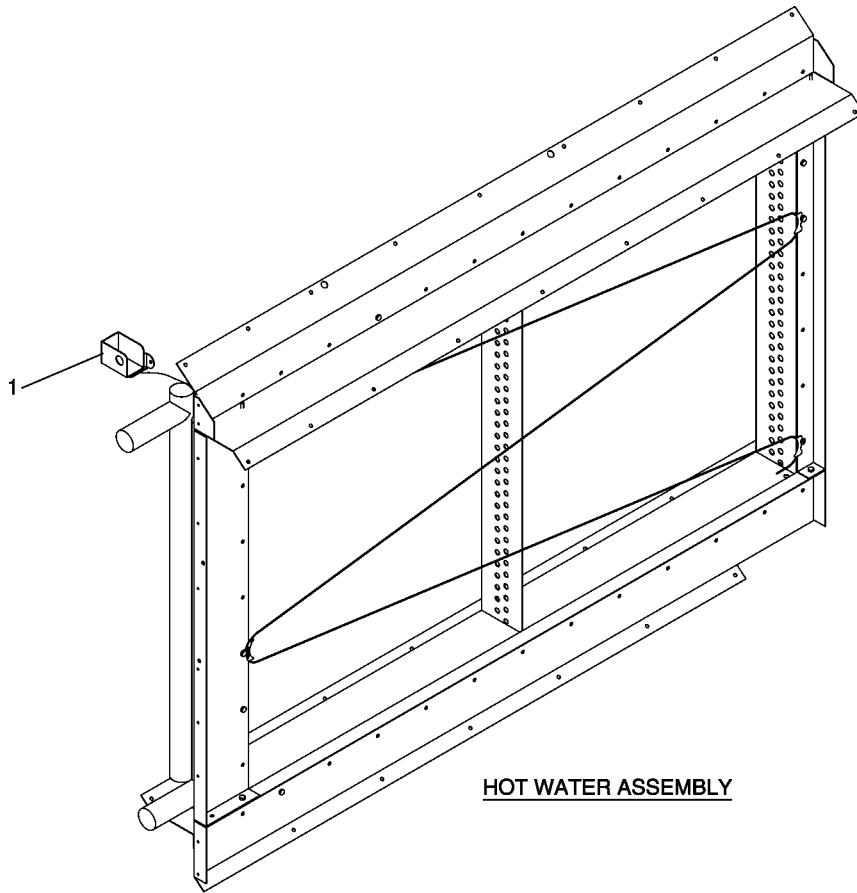
**FIGURE 86 - SUCTION AND DISCHARGE PRESSURE TRANSDUCERS AND SAFETY SWITCHES, MANEUROP COMPRESSOR (70-95 TONS)**



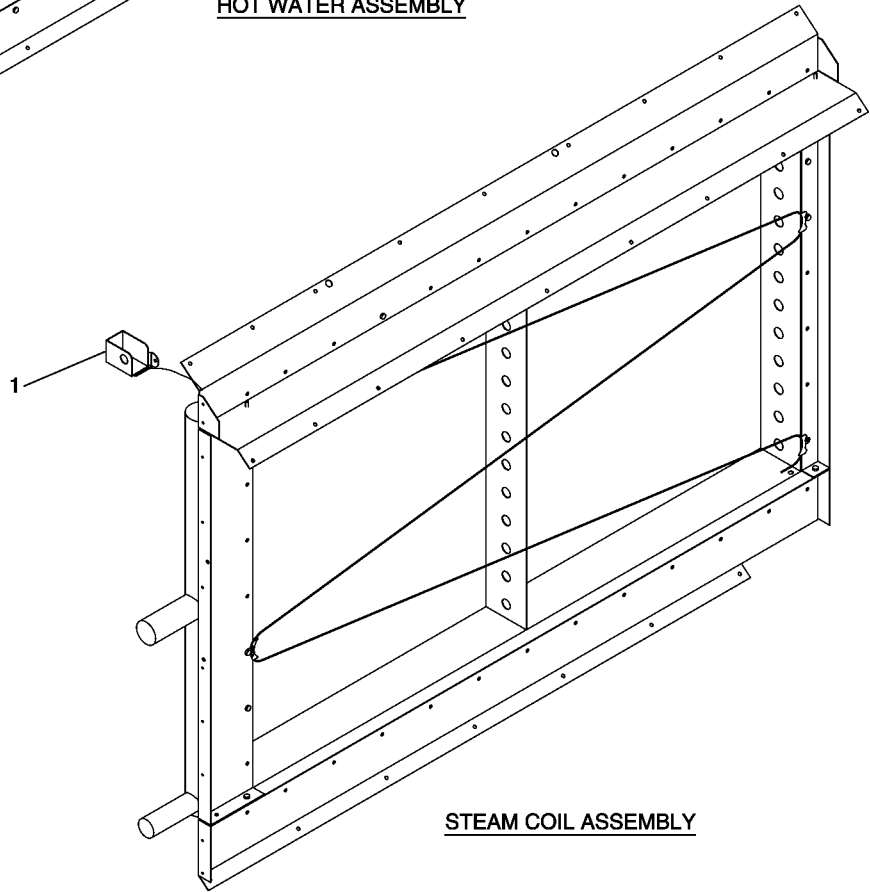
**FIGURE 87 - SUCTION AND DISCHARGE PRESSURE TRANSDUCERS AND SAFETY SWITCHES, COPELAND COMPRESSOR (50-65 TONS)**



**FIGURE 88 - SUCTION AND DISCHARGE PRESSURE TRANSDUCERS AND SAFETY SWITCHES, COPELAND COMPRESSOR (70-95 TONS)**

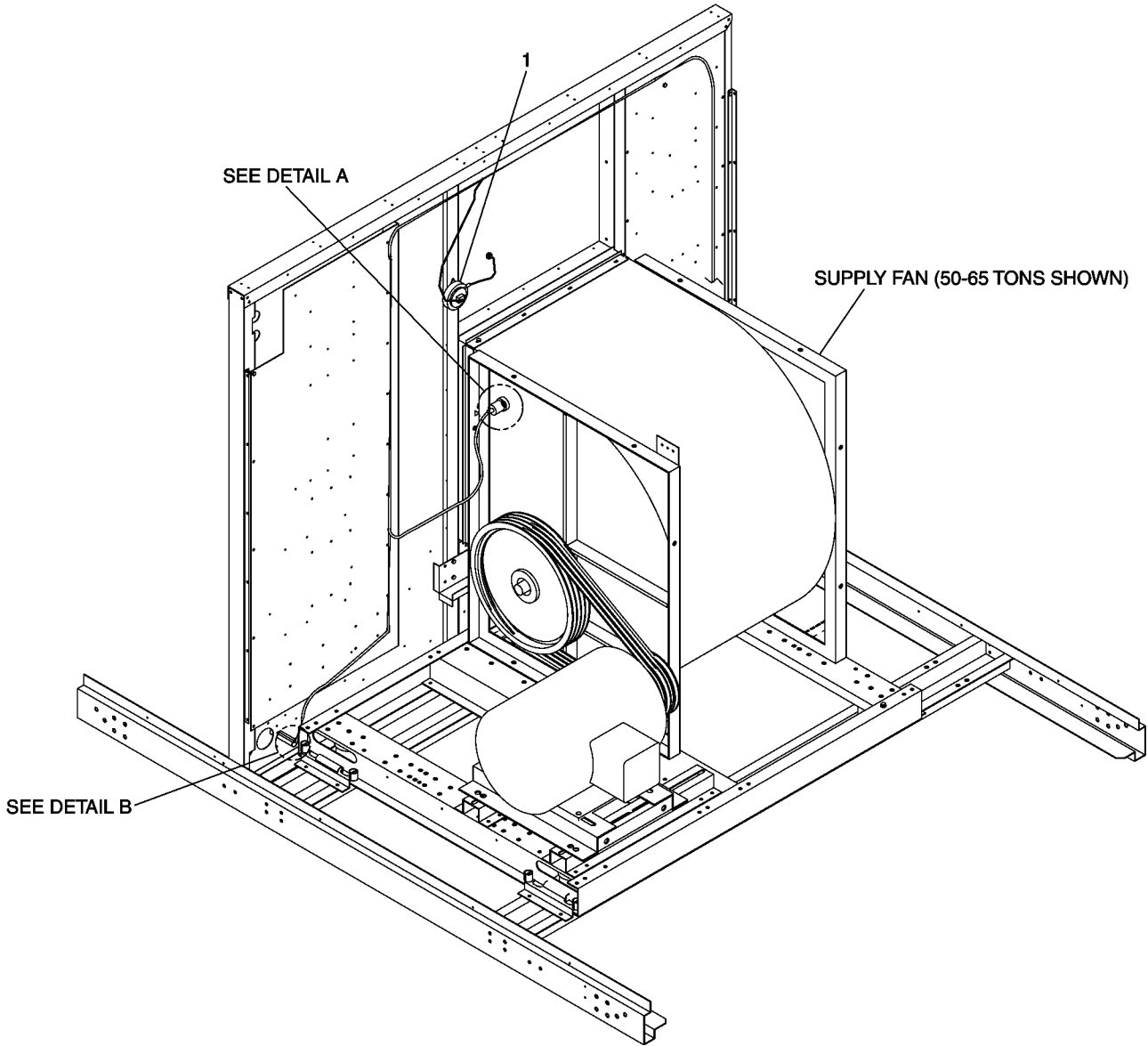
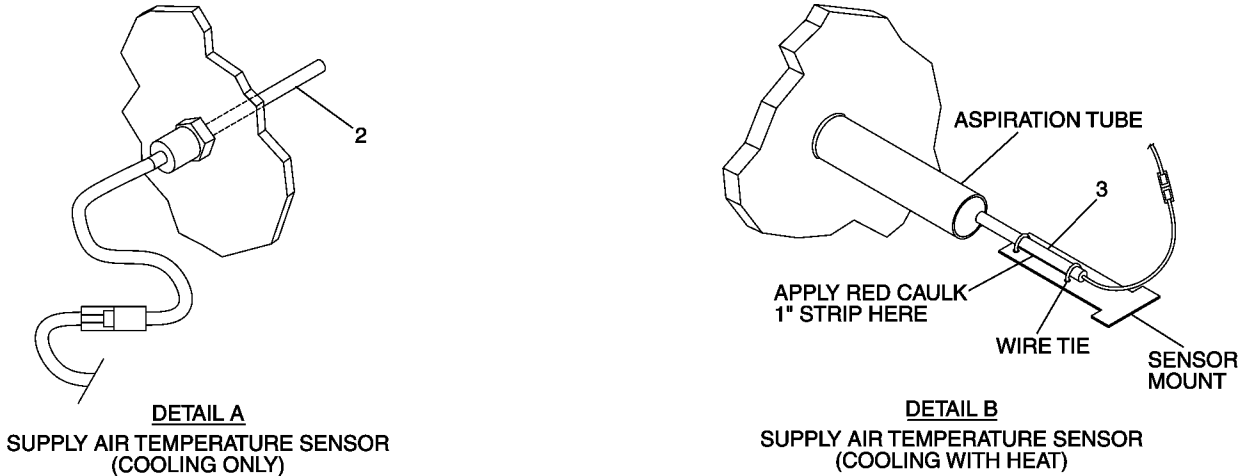


HOT WATER ASSEMBLY

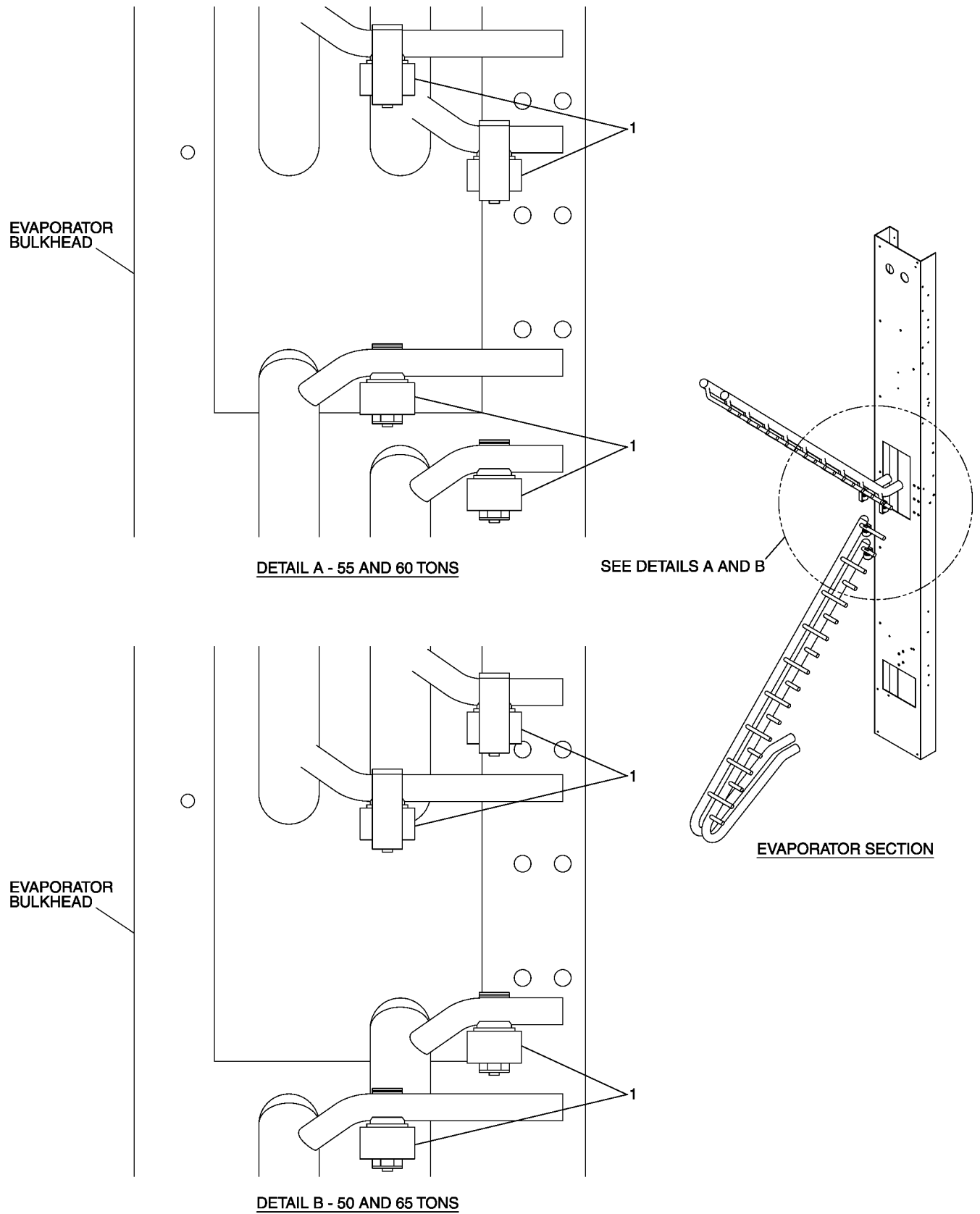


STEAM COIL ASSEMBLY

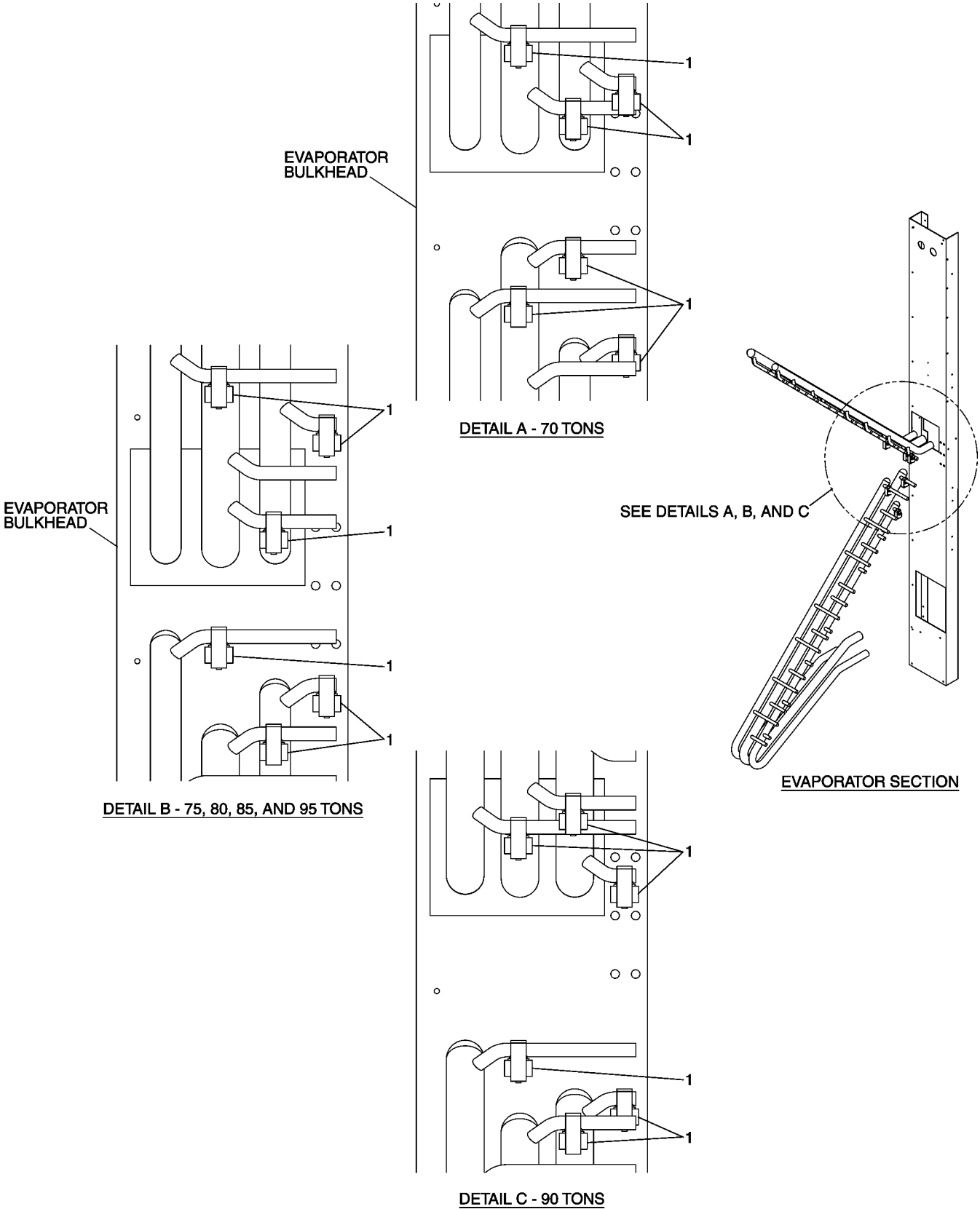
**FIGURE 89 - HOT WATER AND STEAM HEAT FREEZESTAT (50-95 TONS)**



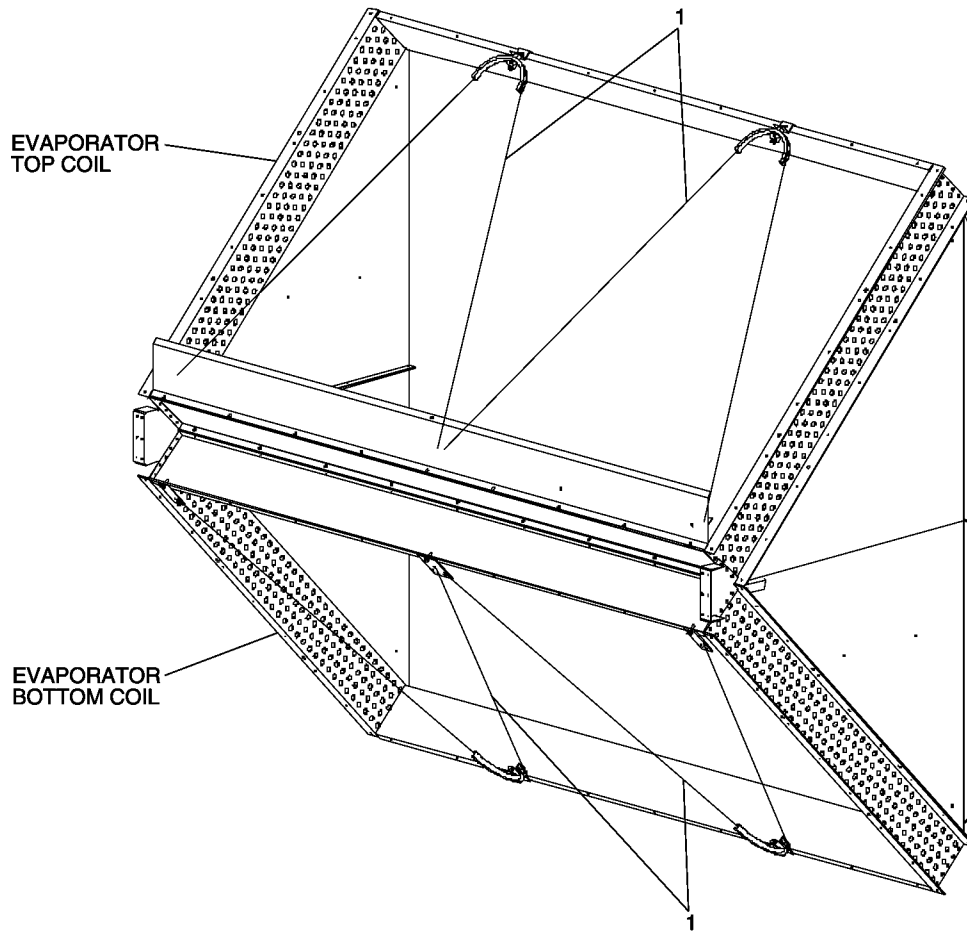
**FIGURE 90 - AIR PROVING SWITCH AND SUPPLY AIR TEMPERATURE SENSOR (50-95 TONS)**



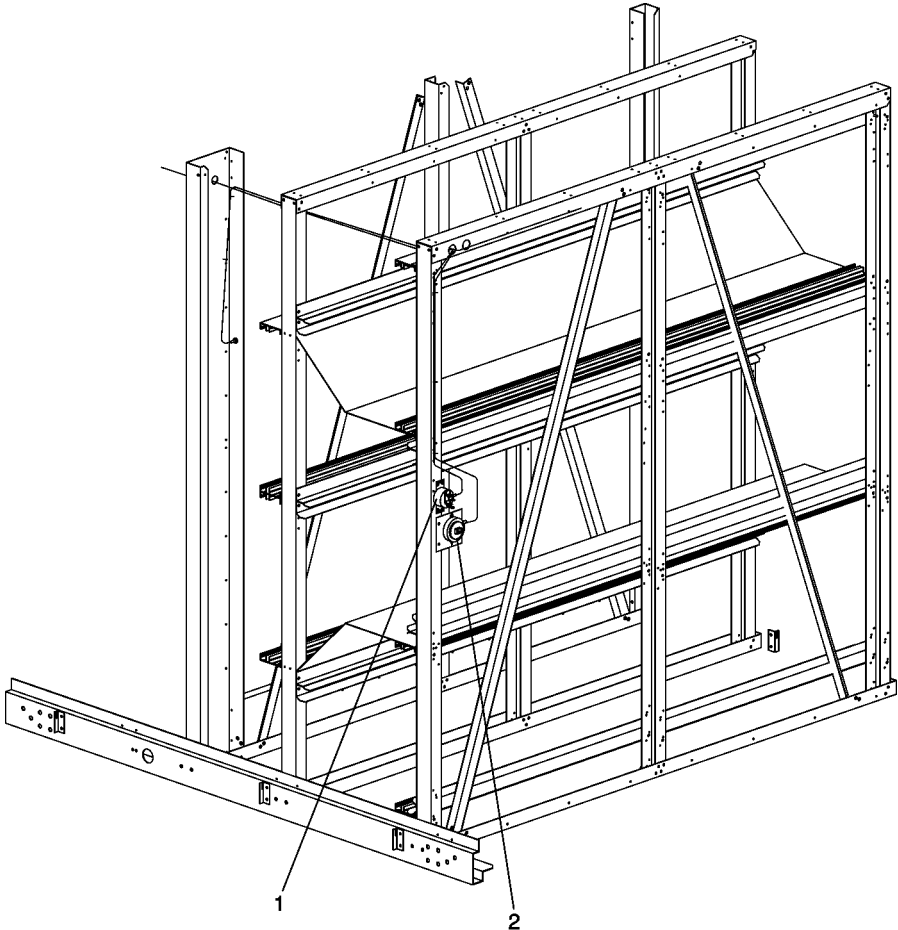
**FIGURE 91 - EVAPORATOR TEMPERATURE SENSOR (50-65 TONS)**



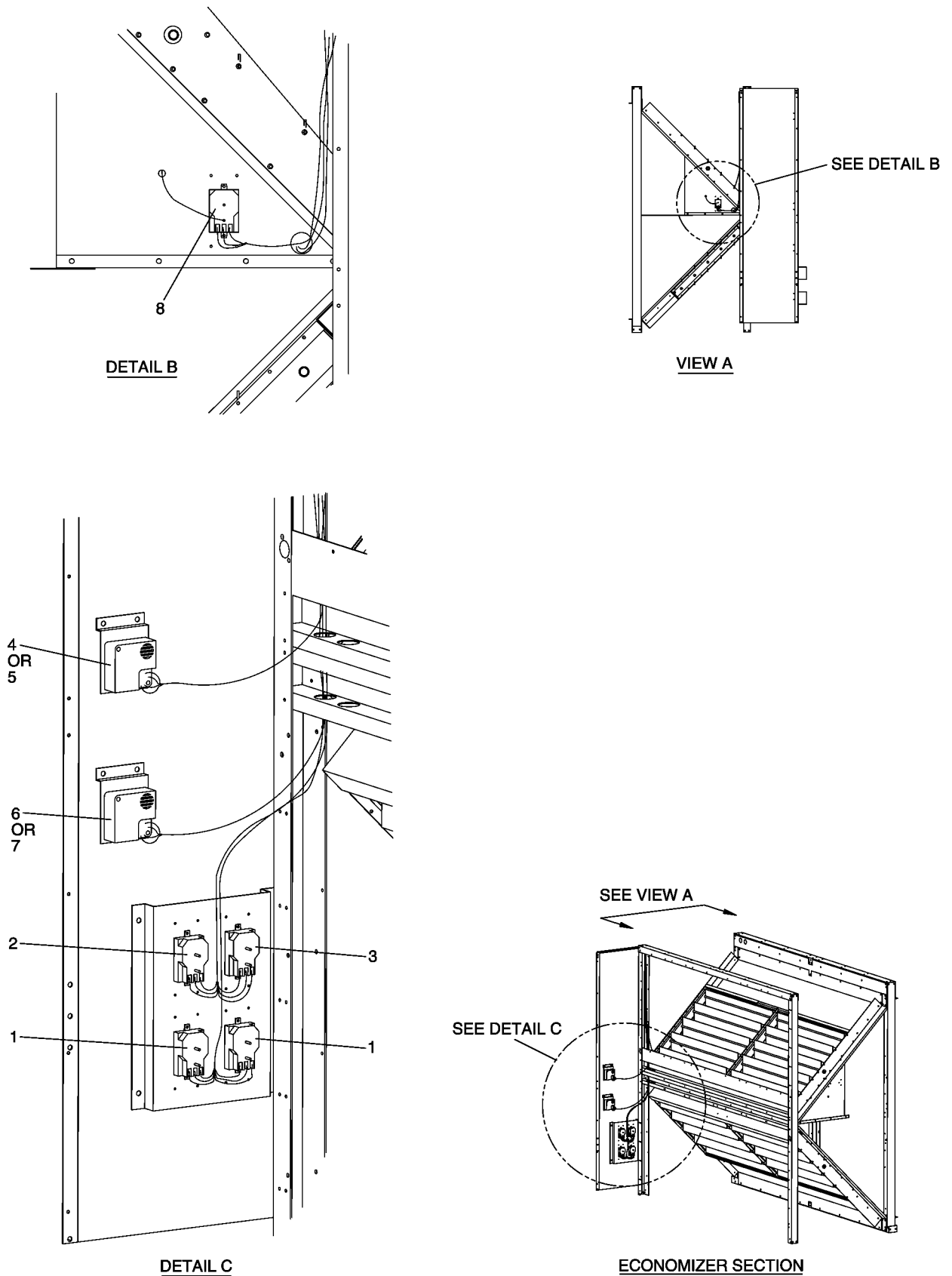
**FIGURE 92 - EVAPORATOR TEMPERATURE SENSOR (70-95 TONS)**



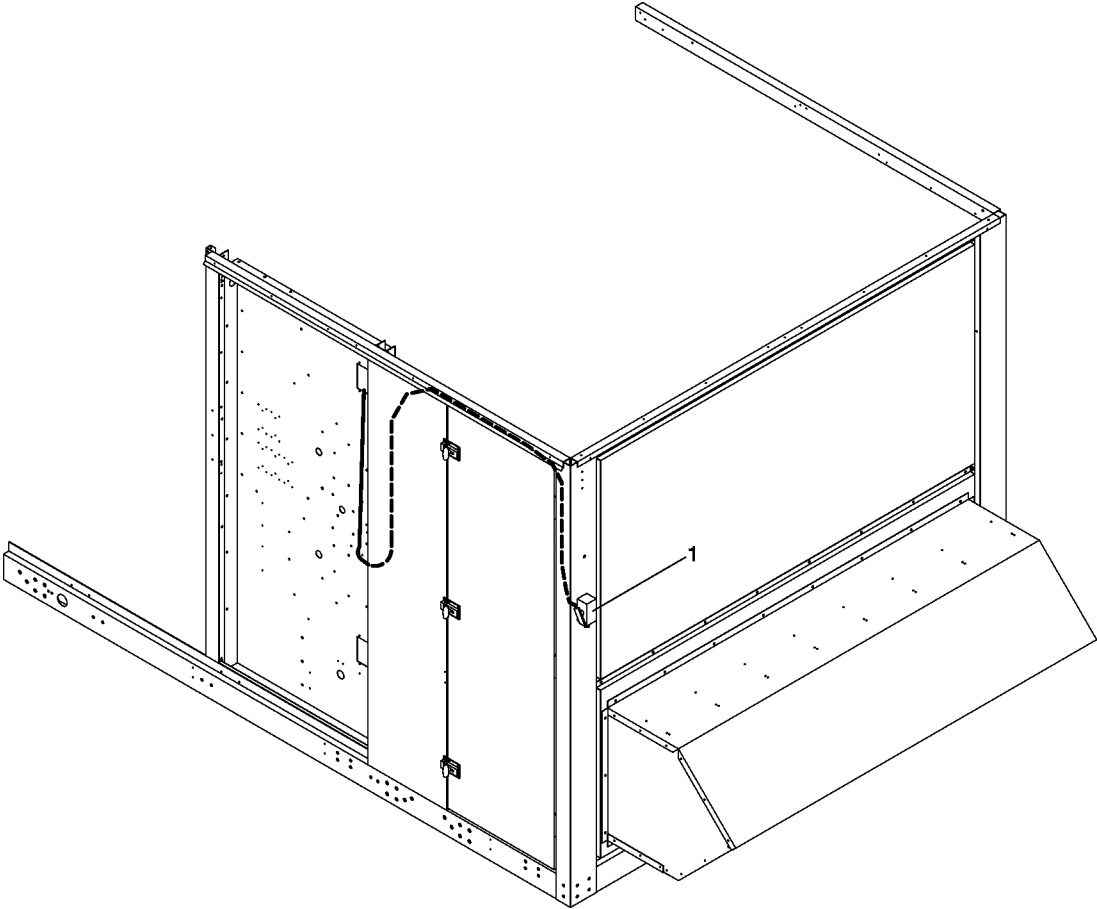
**FIGURE 93 - FLEXSYS EVAPORATOR TEMPERATURE SENSOR (OLD) (50-95 TONS)**



**FIGURE 94 - DIRTY FILTER AND NEGATIVE PRESSURE SWITCHES**



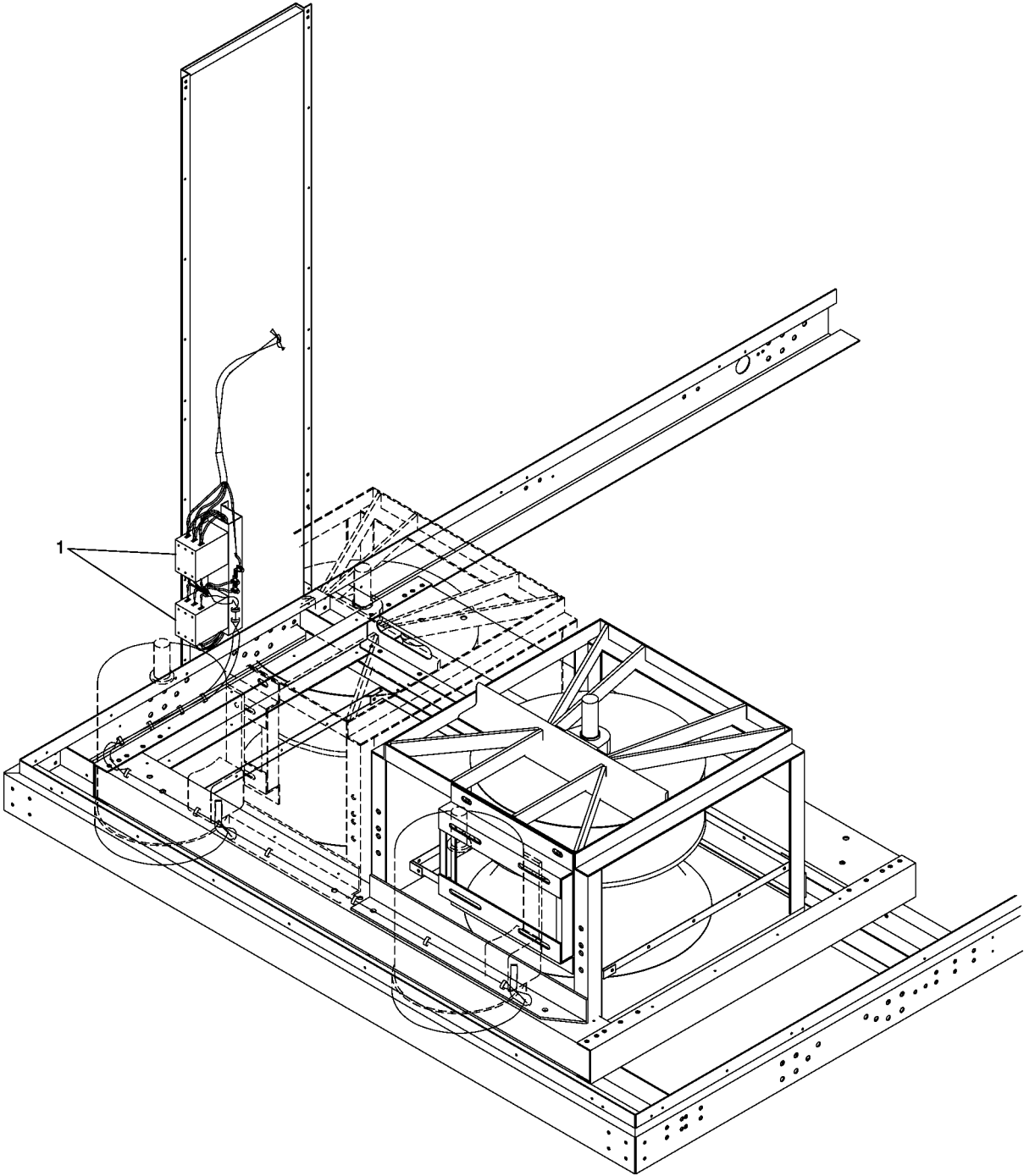
**FIGURE 95 - ECONOMIZER SECTION TRANSDUCERS AND SENSORS**



**FIGURE 96 - OUTSIDE AIR TEMPERATURE SENSOR (EXTERNAL)**

**TABLE 76 - RETURN FAN MOTOR OVERLOAD RELAYS**

FIGURE	ITEM	UNIT SIZE	MOTOR HP	VOLTAGE	HERTZ	ADJUSTMENT RANGE (AMPS)	PART NUMBER	
97	1	50-95	5	200	60	12-18	325-36366-004	
97	1			230	60	12-18	325-36366-004	
97	1			460	60	5.5-8	325-36366-001	
97	1			575	60	5.5-8	325-36366-001	
97	1			400	50	7-10	325-36366-002	
97	1			380	60	7-10	325-36366-002	
97	1		7.5	7.5	200	60	16-24	325-36366-005
97	1				230	60	16-24	325-36366-005
97	1				460	60	9-13	325-36366-003
97	1				575	60	7-10	325-36366-002
97	1				400	50	9-13	325-36366-003
97	1				380	60	12-18	325-36366-004
97	1		10	10	200	60	23-32	325-36366-006
97	1				230	60	23-32	325-36366-006
97	1				460	60	12-18	325-36366-004
97	1				575	60	9-13	325-36366-003
97	1				400	50	12-18	325-36366-004
97	1				380	60	12-18	325-36366-004
97	1		15	15	200	60	37-50	325-36366-008
97	1				230	60	37-50	325-36366-008
97	1				460	60	16-24	325-36366-005
97	1				575	60	12-18	325-36366-004
97	1				400	50	23-32	325-36366-006
97	1				380	60	23-32	325-36366-006
97	1	90-95	20	200	60	37-50	325-36366-008	
97	1			230	60	37-50	325-36366-008	
97	1			460	60	16-24	325-36366-005	
97	1			575	60	12-18	325-36366-004	
97	1			400	50	23-32	325-36366-006	
97	1			380	60	23-32	325-36366-006	



**FIGURE 97 - RETURN FAN MOTOR OVERLOAD RELAYS**





---

P.O. Box 1592, York, Pennsylvania USA 17405-1592  
Copyright © by York International Corporation 2004  
FORM 100.50-RP2 (304)  
New Release

Tele. 800-861-1001  
[www.york.com](http://www.york.com)

Subject to change without notice. Printed in USA  
ALL RIGHTS RESERVED