

ACCESSORY KIT INSTALLATION INSTRUCTION

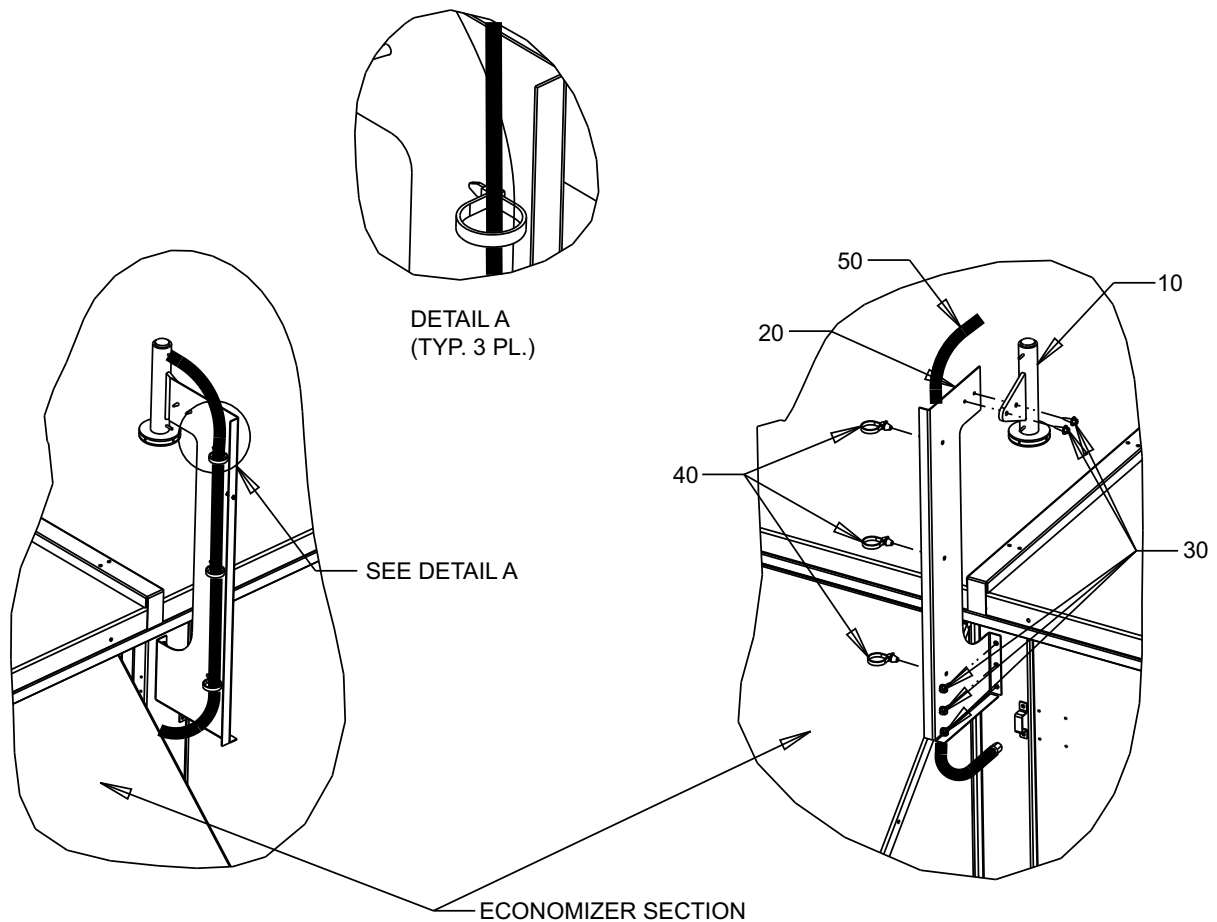
STATIC PRESSURE PROBE MILLENNIUM SERIES 40 UNITS 25 - 40 TON MODELS

KIT CONTENTS

ITEM	DESCRIPTION	QTY.	PART NO.
10	PRESSURE PROBE, OUTDOOR STATIC	1	535184
20	SUPPORT, STATIC PRESSURE PROBE	1	535185
30	SCREW, 1/4 - 14X .750 AB	5	5829
40	STRAP, CABLE 1.75 BDL UV	3	7769
50	TUBING PVC 1/4" OD x 1/8" ID	1 PC	540705

INFORMATION

1. Attach probe (10) to support (20) using supplied screws (3).
2. Attach support (20) to unit using supplied screws (30).
3. Route tubing (50) as shown.
4. Use cable strap (40) to secure tubing to bracket. (See Detail A)



Subject to change without notice. Published in U.S.A.
Copyright © 2010 by Unitary Products Group. All rights reserved.

572371-UAI-A-0310
Supersedes: Nothing

Johnson Controls Unitary Products
5005 York Drive
Norman, OK 73069

