

Simplicity Communication Installation Instructions

TOOLS REQUIRED

Wire Strippers, and a small straight head screw driver.

Materials Required

18 gage 3 conductor foil shielded wire with an extra drain wire, and Wire Nuts for 18 Gage Wire. This drain wire is only used to ground the shielded cable and is not to be used as a connection to the board.

Step One

On each end of the three-conductor cable, strip the outside insulation back approximately two inches. Tear off excess foil shield, leaving the bare drain wire and the three insulated conductors. On each end of the three insulated conductors in the cable, strip the insulation back approximately 1/8 to 1/4 inch. Pick a color pattern to follow and insert each of the three conductors into one each of the three terminals on the Simplicity board communication connector. Tighten each terminal until the wire is secure as in Figure 1. Ground the Drain Wire at one end **only** of the Daisy Chain¹. Do this on the first one in line. Use an existing hole or drill a hole and insert a sheet metal screw in the back plate below the Communication Connector. Wrap the bare drain wire around the screw and tighten the screw as shown in Figure Number 1. This will be the only place the shield is grounded.

Step Two

Daisy Chain¹ the three-conductor wire between the remaining units. Connect the drain wires together with the wire nuts as shown in Figure 2. Follow the stripping and connecting procedure in Step One.

Step Three

Run the cable from the last unit to the location of the Computer or Wireless Device. Follow the connection instructions for each device to wire up the Computer's RS232 to RS485/RS422 Interface and/or the Wireless Device.

Step Four

Make sure all the units are powered and operating properly. Then start at the first unit wired, and push the "Comm Set Up" button referenced in Figure 1. Within 5 seconds the LED will stop flashing at the 1 second rate and flash out the unit's address. The first one will always be number 2. Note the unit's Model Number, Serial Number, Description, and Location on its Address line in the "Commissioning and Start Up Sheet" found in the back of these instructions.

Step Five

Go to each unit and repeat Step Four's "Set Up Instructions". Each unit will increment the address and be one higher than the previous one.

Refer to Figures 4 and 5 for 30 to 50 ton Split System Installation. On the 30 – 50 ton Split System, always push the "Comm Setup" button on the board with the screw terminal labeling Y1 and Y2 first, and then push the button on the board with the labeling Y3 and Y4.

NOTE: Be very careful to observe the polarity of each of the conductors in the Daisy Chained Cable.

1. See Figure Number 3 for Daisy Chain Application.

3 - 25 Ton Packaged and 15 - 25 Ton Split System Communication Wiring

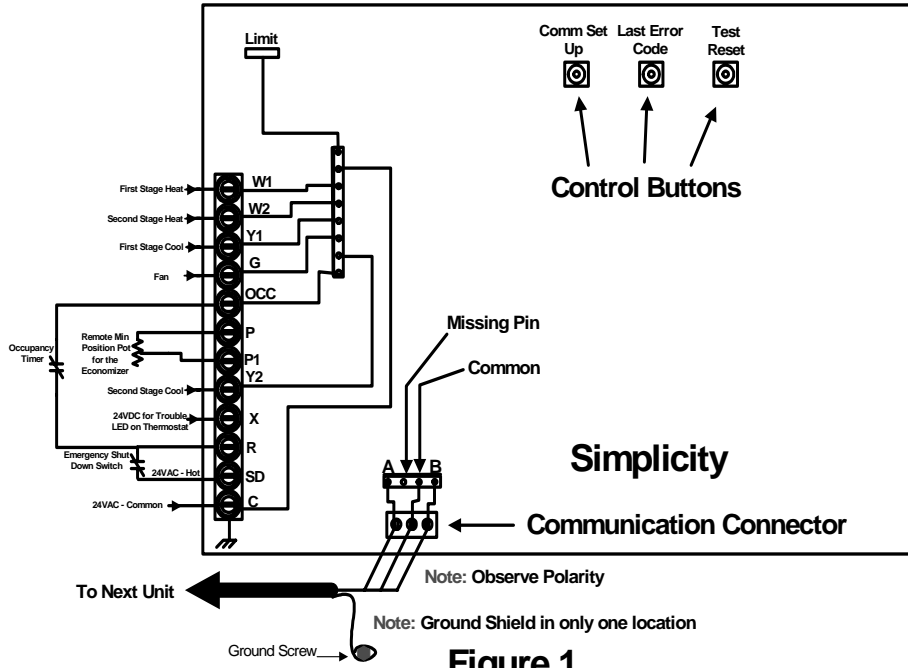


Figure 1

3 - 25 Ton Packaged and 15 - 25 Ton Split System Communication Wiring

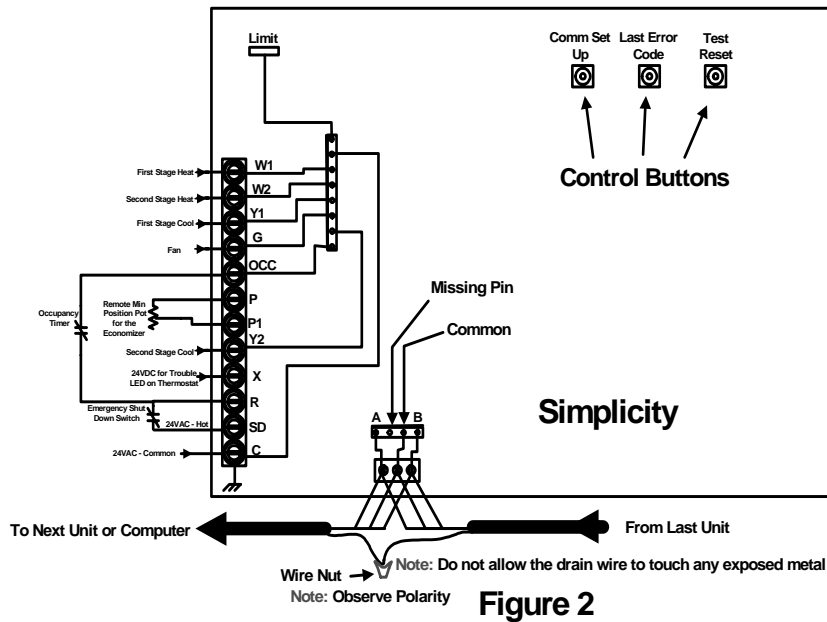
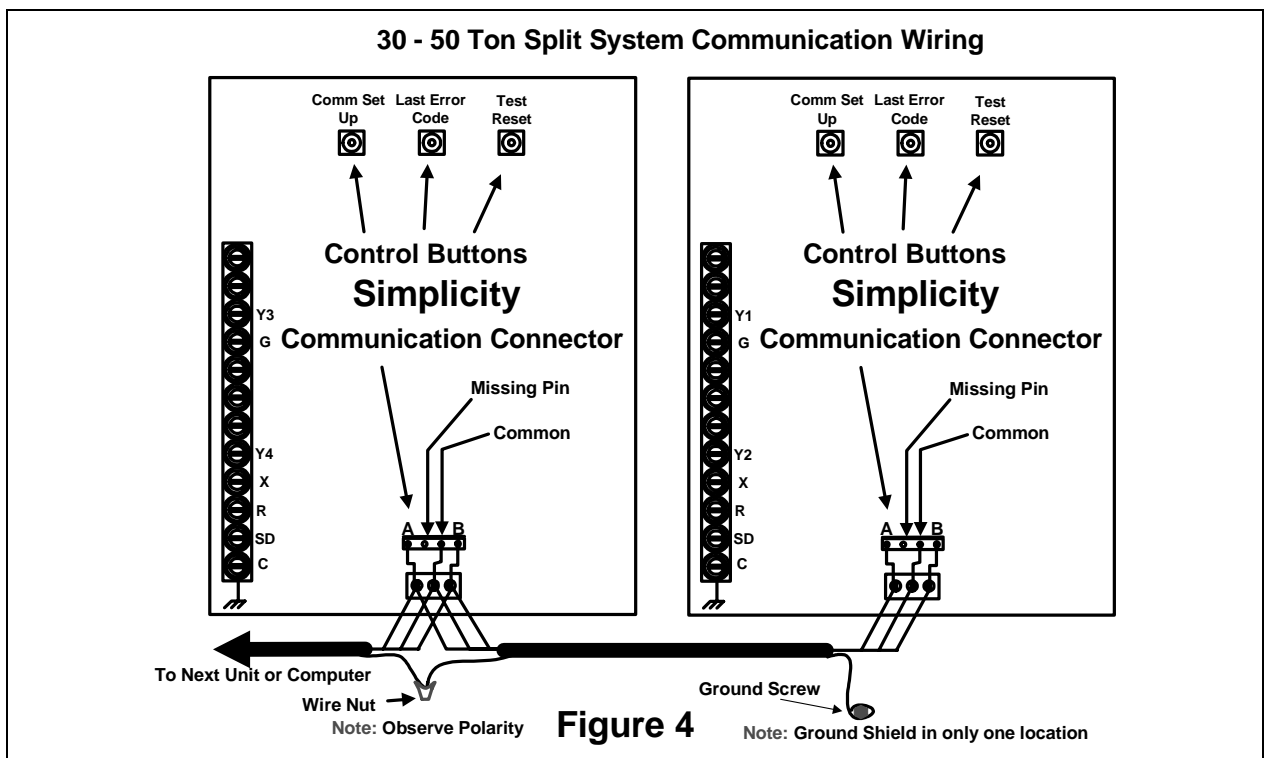
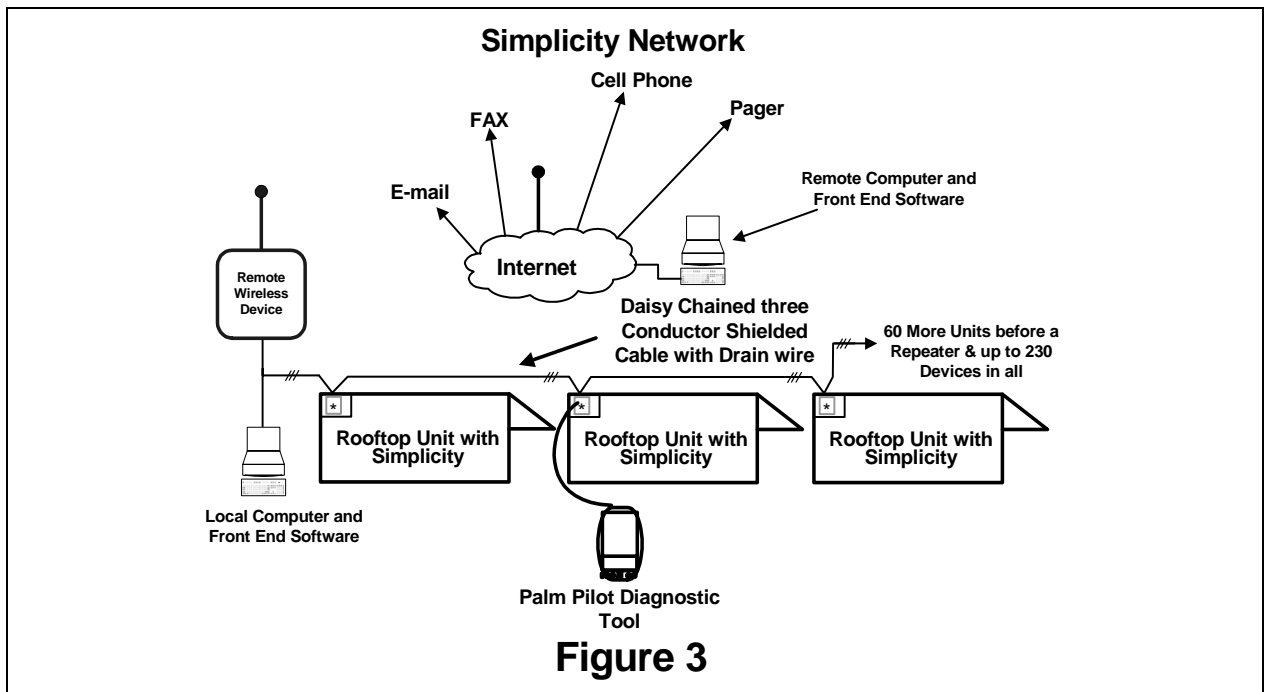
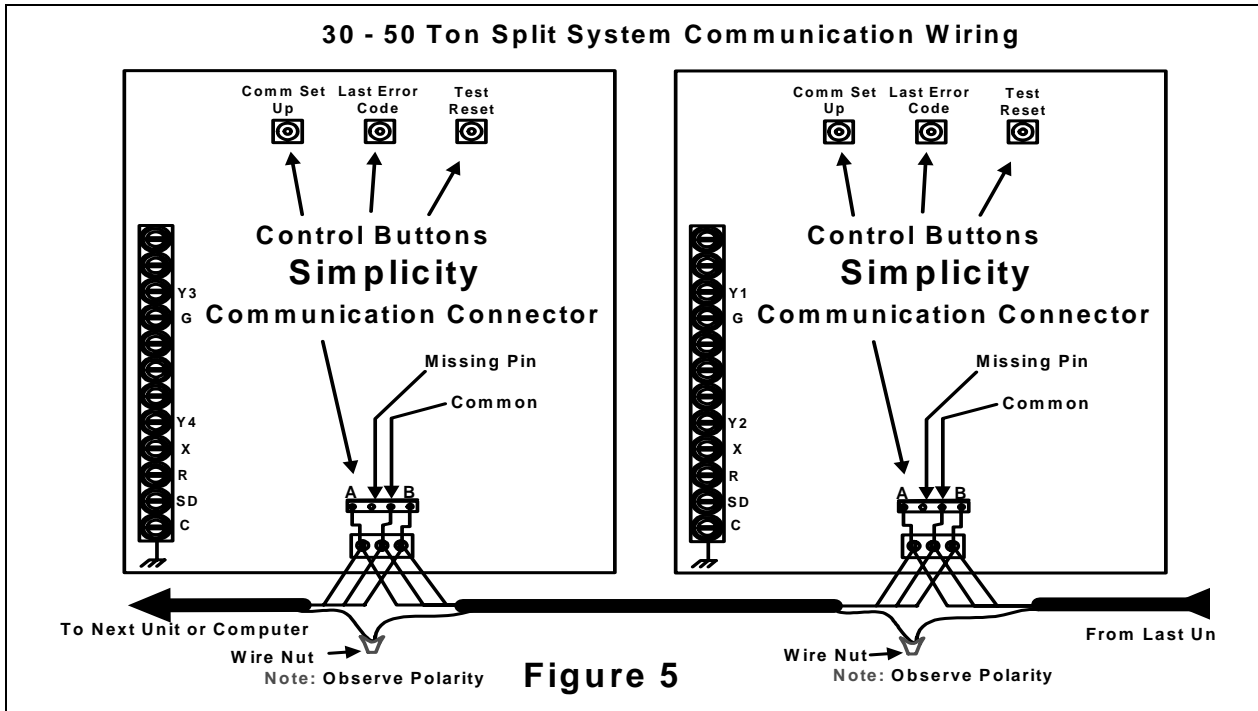


Figure 2





Example: Commissioning and Start-up Sheet				
Address	Description	Location / Name	Model #	Serial #
1	Reserved Address Space	N/A	N/A	N/A
2	6.5 Ton Predator	South Side Café	XXXXXXXXXXXXXXXXXXXX	XXXXXXXXXXXXXXXXXXXX
3	10 Ton Predator	Boss's Office	XXXXXXXXXXXXXXXXXXXX	XXXXXXXXXXXXXXXXXXXX
4	7.5 Ton Predator	Engineering Offices	XXXXXXXXXXXXXXXXXXXX	XXXXXXXXXXXXXXXXXXXX
5	12.5 Ton Predator	Engineering Labs	XXXXXXXXXXXXXXXXXXXX	XXXXXXXXXXXXXXXXXXXX
6	10 Ton Predator	Marketing Offices	XXXXXXXXXXXXXXXXXXXX	XXXXXXXXXXXXXXXXXXXX
7	8.5 Ton Predator	Finance Offices	XXXXXXXXXXXXXXXXXXXX	XXXXXXXXXXXXXXXXXXXX
8				
9				
10				
11				
12				
13				
14				
15				
16				
17				
18				
19				
20				
21				
22				
23				
24				
25				
26				
27				
28				
29				
30				
31				

Commissioning and Start-up Sheet				
Address	Description	Location / Name	Model #	Serial #
1	Reserved Address Space	N/A	N/A	N/A
2				
3				
4				
5				
6				
7				
8				
9				
10				
11				
12				
13				
14				
15				
16				
17				
18				
19				
20				
21				
22				
23				
24				
25				
26				
27				
28				
29				
30				
31				

NOTES

NOTES

Subject to change without notice. Printed in U.S.A.

Copyright © by Unitary Products Group 2002. All rights reserved.

Supersedes: 035-18513-000-A-1101

035-18513-000-B-0102

**Unitary
Products
Group**

**5005
York
Drive**

**Norman
OK
73069**