

**REPLACEMENT PARTS**

Supersedes: Nothing

e 530.70-RP1Y (398)

**P/E DAMPER PARTS (MODULATING)**

FIG	ITEM	UNIT STYLE	DESCRIPTION	Y13 & Y14 30 & 40 TON
15	(1)		ACTUATOR, DAMPER (BELIMO) [ACT2]	025-32744-000
15	2		BLADE, DAMPER (4-REQ'D W/1-BRKT. & SEAL)	373-18715-018
15	3		BLADE, DAMPER (4-REQ'D W/2-BRKT. & SEAL)	373-18715-019
15	4		BUSHING, DAMPER FLANGE (16-REQ'D)	029-18437-000
15	5		PIN, SLIDE (16-REQ'D)	029-18436-000
15	6		SEAL, DAMPER SIDE (4-REQ'D)	026-27629-000
15	7		SEAL, DAMPER GREY (10-REQ'D)	029-22117-000

**P/E LINKAGE PARTS (MODULATING)**

15	8		CRANKARM, ACTUATOR	029-22116-000
15	9		JOINT, BALL (2-REQ'D)	029-08786-000
15	10		BRACKET, DAMPER BLADE W/PIVOT (8-REQ'D)	029-18448-000
15	11		BRACKET, DAMPER BLADE W/PIVOT (4-REQ'D)	029-20068-000
15	12		PIVOT, BRASS (REPLACEMENT OF DBL. PIVOTS)	029-18439-000
15	13		CONN., PIVOT (REPLACEMENT OF DBL. PIVOTS)	029-18438-000

**P/E DAMPER PARTS (NON-MODULATING)**

*	14		DAMPER ASSY, BACKDRAFT 18-1/8" x 22" (2-REQ'D)	026-34753-000
2	-		TIMER, ANTI-SHORT CYCLE [TDR]	SEE ELEC. BOX

**EXHAUST AIR DRIVE ADJUSTMENT**

Use the following table and pitch diameter (PD) to select a new motor pulley/sheave (see page 16 for P/N's).  
(Specified CFM / Measured CFM) x PD of standard motor pulley = PD of new motor pulley

30 AND 40 TON (EXHAUST AIR CFM ADJUSTMENT WITH MOTOR PULLEY REPLACEMENT)											
7.5 HP Motor & 852 RPM Drive				10 HP Motor & 976 RPM Drive				15 HP Motor & 1069 RPM Drive			
% RPM & CFM	Blower RPM	Req'd PD (in.)	Browning 2B5V ---	% RPM & CFM	Blower RPM	Req'd PD (in.)	Browning 2B5V ---	% RPM & CFM	Blower RPM	Req'd PD (in.)	Browning 2B5V ---
For slower blower speeds down to 550 RPM (65% of nominal), replace motor pulley and bushing with a Browning 2MVP35B49 x 1-3/8" P/N 028-13931-000				For slower blower speeds down to 550 RPM (56% of nominal), replace motor pulley and bushing with a Browning 2MVP35B49 x 1-3/8" P/N 028-13931-000				For slower blower speeds down to 630 RPM (59% of nominal), replace motor pulley and bushing with a Browning 2MVP40B54 x 1-5/8" P/N 028-13932-000			
89.1	759	4.9	46	81.0	790	5.1	48	76.8	821	5.3	50
92.7	790	5.1	48	84.1	821	5.3	50	79.7	852	5.5	52
96.4	821	5.3	50	87.3	852	5.5	52	82.6	883	5.7	54
100.0	852	(std) 5.5	52	90.5	883	5.7	54	85.5	914	5.9	56
103.6	883	5.7	54	93.7	914	5.9	56	88.4	945	6.1	58
107.3	914	5.9	56	96.8	945	6.1	58	91.3	976	6.3	60
110.9	945	6.1	58	100.0	976	(std) 6.3	60	94.2	1007	6.5	62
114.5	976	6.3	60	103.2	1007	6.5	62	97.1	1038	6.7	64
118.2	1007	6.5	62	106.4	1038	6.7	64	100.0	1069	(std) 6.9	66
				109.5	1069	6.9	66	102.9	1100	7.1	68
				112.7	1100	7.1	68	108.7	1131	7.3	70
				115.9	1131	7.3	70	117.4	1193	7.7	74

NOTE: Reuse the existing bushing when changing one Browning 2B5V pulley to another.



Heating and Air Conditioning



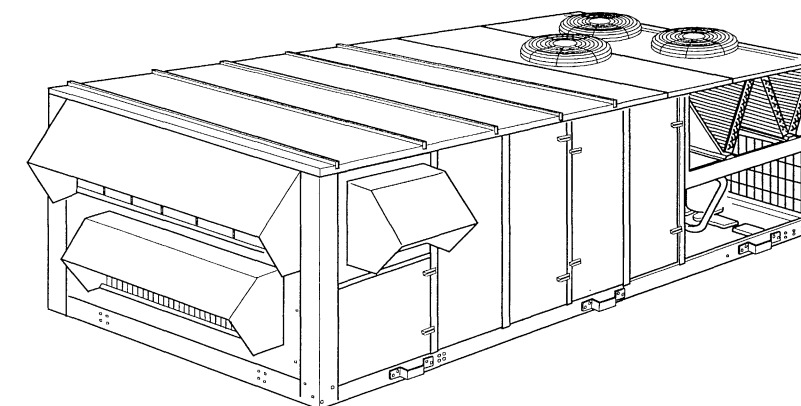
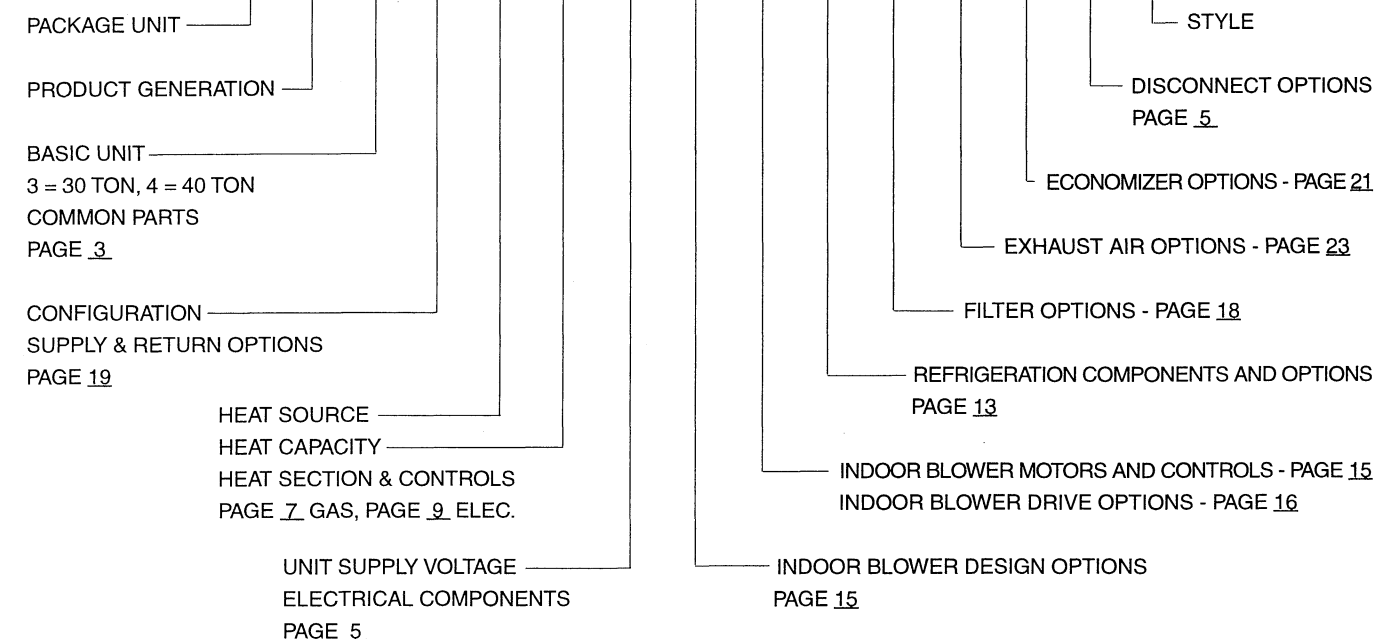
Proud Sponsor of the 1998 U.S. Olympic Team

**SAMPLE MODEL NUMBER**

**Y 1 3 A N 2 4 B 1 A A C A B A**

**BREAK DOWN OF MODEL NUMBER FORMAT IN DIGITS**

**1 2 3 4 5 6 7 8 9 10 11 12 13 14 15**



**TABLE OF CONTENTS**

	PAGE		PAGE
UNIT SECTIONS & COMMON PARTS	3	BLOWER DESIGN OPTIONS	15
ELECTRICAL COMPONENTS	5	BLOWER DRIVE OPTIONS	16
DISCONNECT OPTIONS	5	FILTER OPTIONS	18
GAS HEAT SECTION & CONTROLS	7	SUPPLY AND RETURN OPTIONS	19
ELEC-HEAT SECTION & CONTROLS	9	ECONOMIZER OPTIONS	21
REFRIGERATION COMPONENTS & OPTIONS	13	EXHAUST AIR OPTIONS	23
BLOWER MOTORS AND CONTROLS	15		

**EXHAUST AIR OPTIONS (12TH MODEL NO. DIGIT)**

OPTION	INCLUDES	OPTION	INCLUDES	OPTION	INCLUDES	OPTION	INCLUDES
A	BAROMETRIC RELIEF	B	1, 3	F	1, 7	J	2, 5
		C	1, 4	G	1, 8	K	2, 6
		D	1, 5	H	2, 3	L	2, 7
N	NO EXHAUST	E	1, 6	I	2, 4	M	2, 8

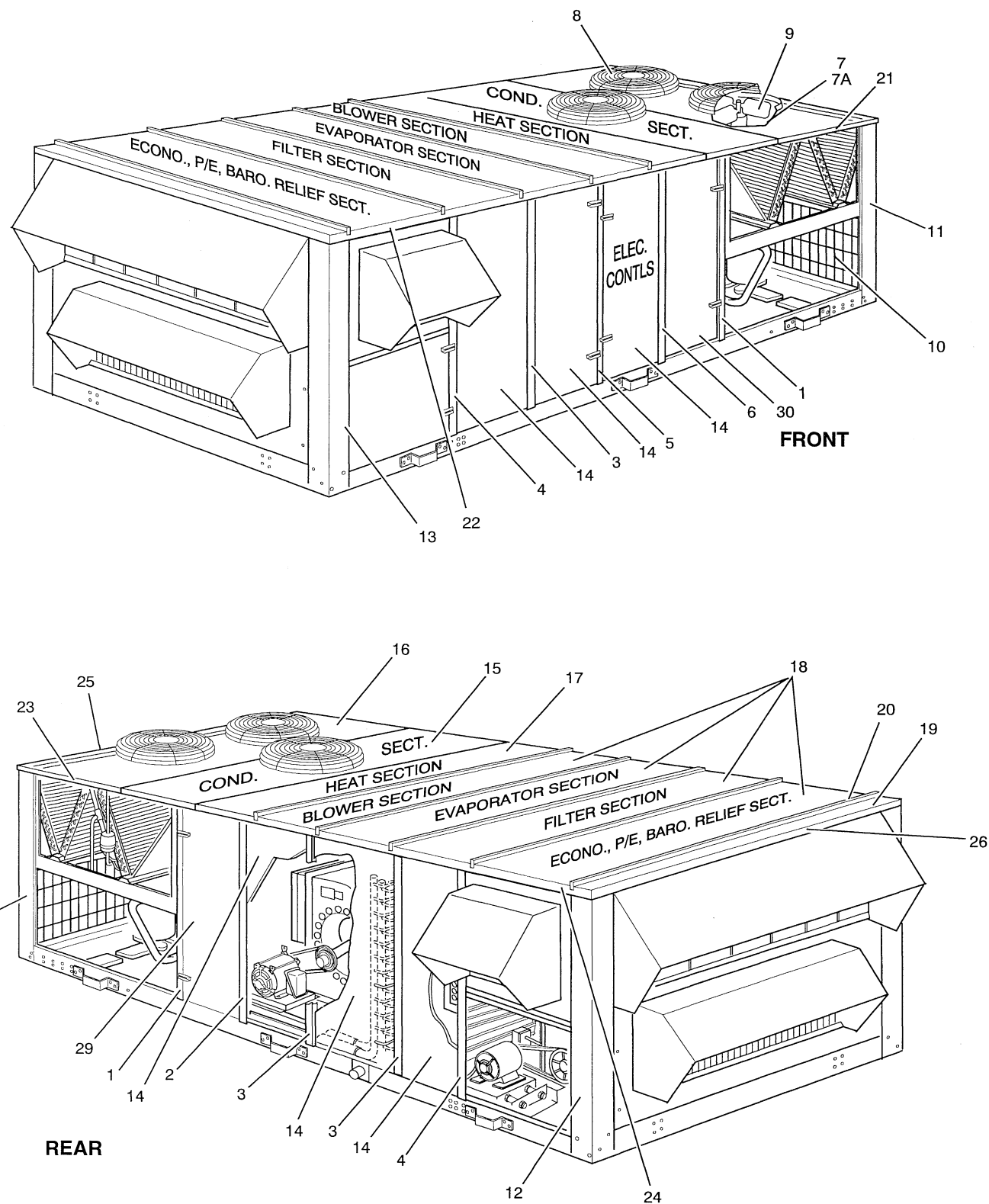
POWER EXHAUST	MOTOR - STD. EFFICIENCY	MOTOR - HIGH EFFICIENCY
1 = MODULATING DAMPERS	3 = 7.5 HP STANDARD	6 = 7.5 HP HI EFFICIENCY
2 = NON-MODULATING DAMPERS	4 = 10 HP STANDARD	7 = 10 HP HI EFFICIENCY
	5 = 15 HP STANDARD	8 = 15 HP HI EFFICIENCY

FIG	ITEM	UNIT STYLE	DESCRIPTION	Y13 & 14 208/230V	Y13 & 14 460V	Y13 & 14 575V
14	(70)		MOTOR, PWR. EXHST. (7.5 HP) STD. EFF.	024-25026-000	024-25026-000	024-25032-000
14	(70)		MOTOR, PWR. EXHST. (7.5 HP) HI - EFF.	024-25078-000	024-25078-000	---
2	(71)		STARTER, MTR. (FURNAS #16BF35AJAHJ) [10M]	024-27527-000	024-27527-000	024-27527-000
2	(71A)		STARTER ELEMENTS (OVERLOAD) (3-REQ'D)	024-19631-000	024-26052-000	024-19415-000
2	(72)		FUSE, DUAL [19,20,21FU]	025-15491-000	025-05741-000	025-05741-000
2	72A		FUSEHOLDER, CRTG.	025-18283-000	025-18284-000	025-18284-000
14	73		PULLEY/SHEAVE 7.5 HP (PWR./EXHST. SHAFT)	028-13274-000	028-13274-000	028-13274-000
14	73A		BUSHING (1-11/16 BORE)	028-13278-000	028-13278-000	028-13278-000
14	74		PULLEY/SHEAVE 7.5 HP (PWR./EXHST. MOTOR)	028-13270-000	028-13270-000	028-13270-000
14	74A		BUSHING (1-3/8 BORE)	028-13275-000	028-13275-000	028-13275-000
14	75		"V" BELT 7.5 HP (B62) (2-REQ'D)	028-08781-000	028-08781-000	028-08781-000
14	(76)		MOTOR, PWR. EXHST. (10 HP) STD. EFF.	024-25025-000	024-25025-000	024-25031-000
14	(76)		MOTOR, PWR. EXHST. (10 HP) HI - EFF.	024-25079-000	024-25079-000	---
2	(77)		STARTER, MTR. (FURNAS #16CF35AJAHK) [10M]	024-27528-000	---	---
2	(77)		STARTER, MTR. (FURNAS #16BF35AJAHJ) [10M]	---	024-27527-000	024-27527-000
2	(77A)		STARTER ELEMENTS (OVERLOAD) (3-REQ'D)	024-20844-000	024-19422-000	024-26052-000
2	(78)		FUSE, DUAL [19,20,21FU]	025-08436-000	025-12804-000	025-05741-000
2	78A		FUSEHOLDER, CRTG.	025-18283-000	025-18284-000	025-18284-000
14	79		PULLEY/SHEAVE 10 HP (PWR./EXHST. SHAFT)	028-13274-000	028-13274-000	028-13274-000
14	79A		BUSHING (1-11/16 BORE)	028-13278-000	028-13278-000	028-13278-000
14	80		PULLEY/SHEAVE 10 HP (PWR./EXHST. MOTOR)	028-13271-000	028-13271-000	028-13271-000
14	80A		BUSHING (1-3/8 BORE)	028-13275-000	028-13275-000	028-13275-000
14	81		"V" BELT 10 HP (B62) (2-REQ'D)	028-08781-000	028-08781-000	028-08781-000
14	(82)		MOTOR, PWR. EXHST. (15 HP) STD. EFF.	024-25024-000	024-25024-000	024-25030-000
14	(82)		MOTOR, PWR. EXHST. (15 HP) HI - EFF.	024-25080-000	024-25080-000	---
2	(83)		STARTER, MTR. (FURNAS #16DF35AJAHL) [10M]	024-27529-000	---	---
2	(83)		STARTER, MTR. (FURNAS #16BF35AJAHJ) [10M]	---	024-27527-000	024-27527-000
2	(83A)		STARTER ELEMENTS (OVERLOAD) (3-REQ'D)	024-25343-000	024-21055-000	024-21045-000
2	(84)		FUSE, DUAL [19,20,21FU]	025-18539-000	025-04650-000	024-12805-000
2	84A		FUSEHOLDER, CRTG.	025-26395-000	025-18284-000	025-18284-000
14	85		PULLEY/SHEAVE 15 HP (PWR./EXHST. SHAFT)	028-13274-000	028-13274-000	028-13274-000
14	85A		BUSHING (1-11/16 BORE)	028-13278-000	028-13278-000	028-13278-000
14	86		PULLEY/SHEAVE 15 HP (PWR./EXHST. MOTOR)	028-12071-000	028-12071-000	028-12071-000
14	86A		BUSHING (1-5/8 BORE)	028-12082-000	028-12082-000	028-12082-000
14	87		"V" BELT 15 HP (B62) (2-REQ'D)	028-08781-000	028-08781-000	028-08781-000

**COMMON P/E PARTS 30 & 40 TON**

FIG	ITEM	UNIT STYLE	DESCRIPTION	Y13 & 14 30 & 40 TON
14	88		BLOWER, DUAL INCL. - (2) WHEELS, SHAFT, (2) BEARINGS, (2) HOUSINGS	026-34671-000
14	89		CONTROL, TEMP. (MORNING WARM-UP) [MWUP]	025-16363-000
14	90		BASE, MOTOR MOUNTING	073-16085-000
*	91		MOTOR ADJ. SCR. (2-REQ'D) ALL-THREAD	5/8-11 x 8 LG.
14	(92)		SWITCH, CONTROL BUILDING PRESSURE (MODULATING) [SSP1]	031-01281-000
14	(92)		SWITCH, CONTROL BUILDING PRESSURE (NON-MOD.) [SSP1]	024-27549-000

\* ITEM NOT SHOWN.



**FIG. 1 – UNIT SECTIONS & COMMON PARTS  
(30 TON SHOWN)**

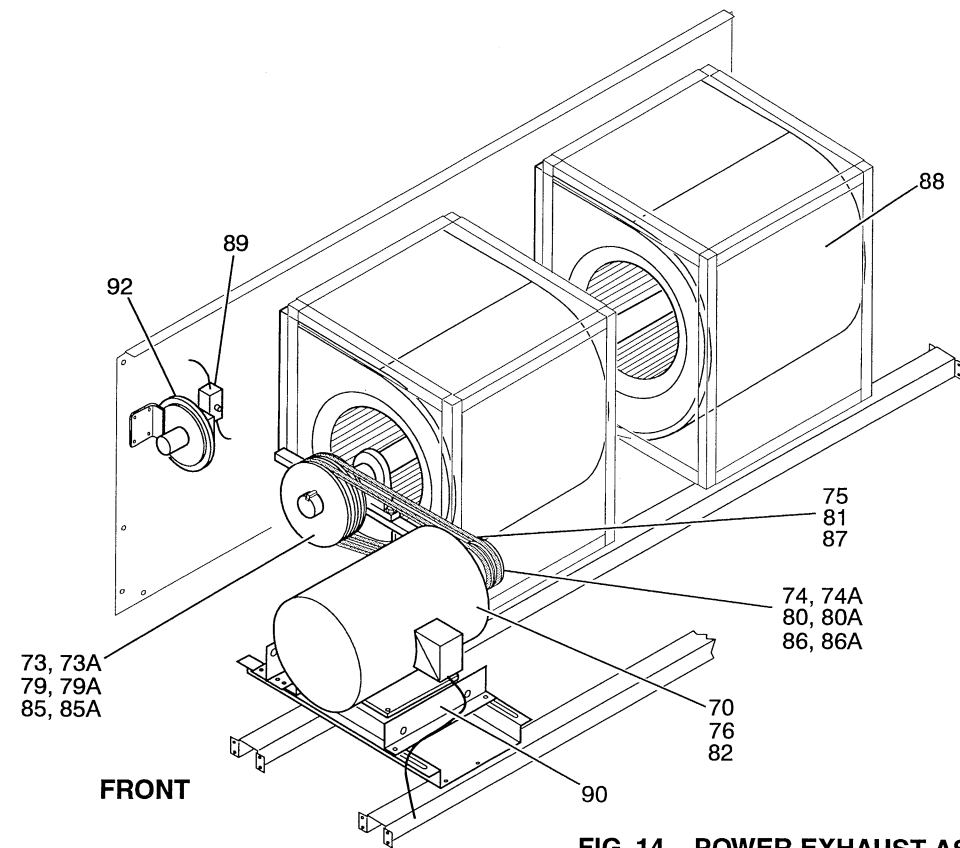


FIG. 14 – POWER EXHAUST ASS'Y

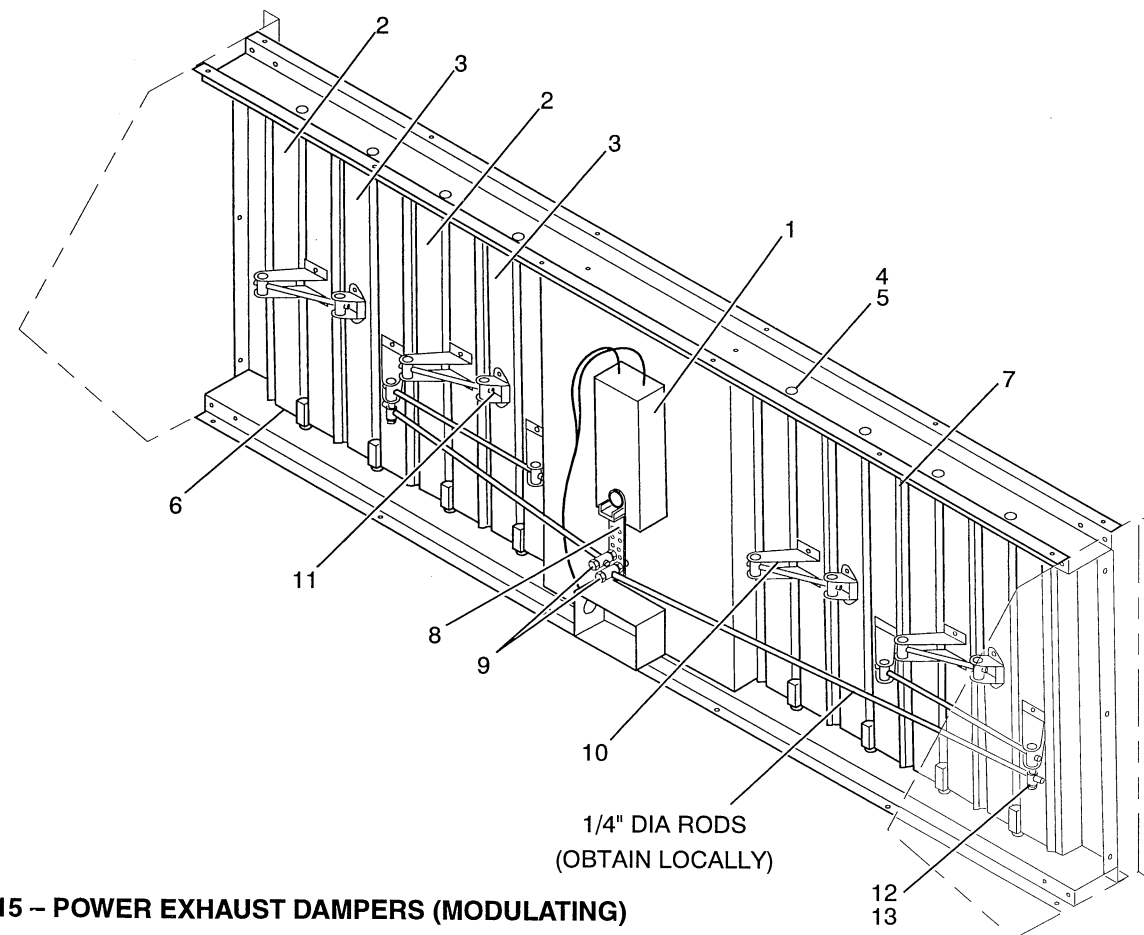


FIG. 15 – POWER EXHAUST DAMPERS (MODULATING)

COMMON PARTS

FIG	ITEM	UNIT STYLE	DESCRIPTION	Y13 & Y14 30 & 40 TON
1	1		CHANNEL, UPRIGHT (FRONT & REAR)	073-15240-000
1	2		CHANNEL, W/INSUL. & LINER (1-REQ'D - REAR)	373-16066-045
1	3		CHANNEL, W/INSUL. & LINER (3-REQ'D)	373-16066-047
1	4		CHANNEL, W/INSUL. & LINER (2-REQ'D - FRONT & REAR)	373-16066-049
1	5		CHANNEL, UPRIGHT (FRONT)	073-17078-000
1	6		CHANNEL, UPRIGHT (FRONT)	073-18639-000
1	7		MOUNT, MOTOR (WIREFORM)	026-34581-000
1	7A		CLAMP RING FOR MOTOR MOUNT	026-25568-000
1	8		GUARD, FAN	026-34562-000
1	9		BLADE, FAN	026-34698-000
1	10		GUARD, COIL (WIREFORM) (10-REQ'D, 3 FR. & REAR, 4 ON END)	026-34582-000
1	11		POST, CORNER (FRONT & REAR COMPRESSOR END)	073-15234-000
1	12		POST, CORNER P/E REAR	373-16066-051
1	13		POST, CORNER P/E FRONT	373-16066-053
1	14		DOOR, W/INSUL. & LINER (3 - FRONT - 3 - REAR)	373-16066-070
1	15		PANEL, ROOF (1 - FAN OPENING) 30 TON ONLY	073-15242-000
1	16		PANEL, ROOF (2 - FAN OPENINGS) 30 TON (1-REQ'D)	073-15243-000
1	16		PANEL, ROOF (2 - FAN OPENINGS) 40 TON (2-REQ'D)	073-15243-000
1	17		PANEL, ROOF (HEAT SECTION)	073-15905-000
1	18		PANEL, ROOF (4-REQ'D)	073-15906-000
1	19		PANEL, ROOF (P/E END)	073-15907-000
1	20		CHANNEL, ROOF JOINT W/GASKET (5-REQ'D)	373-16066-076
1	21		RAIL, TOP (FRONT - COMPRESSOR END)	073-15248-000
1	22		RAIL, TOP (FRONT - P/E END)	073-16138-000
1	23		RAIL, TOP (REAR - COMPRESSOR END)	073-15249-000
1	24		RAIL, TOP (REAR - P/E END)	073-16139-000
1	25		RAIL, TOP (SIDE - COMPRESSOR)	073-15236-000
1	26		RAIL, TOP (SIDE - P/E)	073-16140-000
*	27		GROMMET, PVC RED (1-3/8 ID. USE IN 2-3/8 HOLE)	028-04698-000
*	28		GROMMET, PVC RED (7/8 ID. USE IN 1-5/8 HOLE)	028-04859-000
1	29		PANEL, REAR, W/INSUL. & LINER	373-18607-006
1	30		PANEL, FRONT (ELEC. HEAT) W/INSUL., LINER, & HINGES	373-16198-067

DOOR HARDWARE

1A	40		KNOB, DOOR (PLASTIC W/1/4-20 THD. STUD)	029-22122-000
1A	41		TONGUE, DOOR LATCH SLIDE	029-22121-000
1A	42		BRACKET, LATCH	073-19226-000
1A	43		BRACKET, DOOR LATCH	073-19224-000
1A	44		PLATE, DOOR LATCH	073-19225-000
*	45		HINGE, DOOR 4"	073-18462-000
*	46		GASKET, STRIP 1/2 x 1.0 (ORDER BY FT.)	028-12049-000

\* ITEM NOT SHOWN.

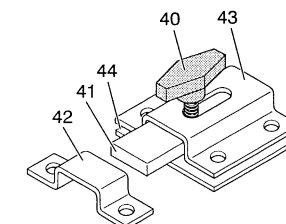


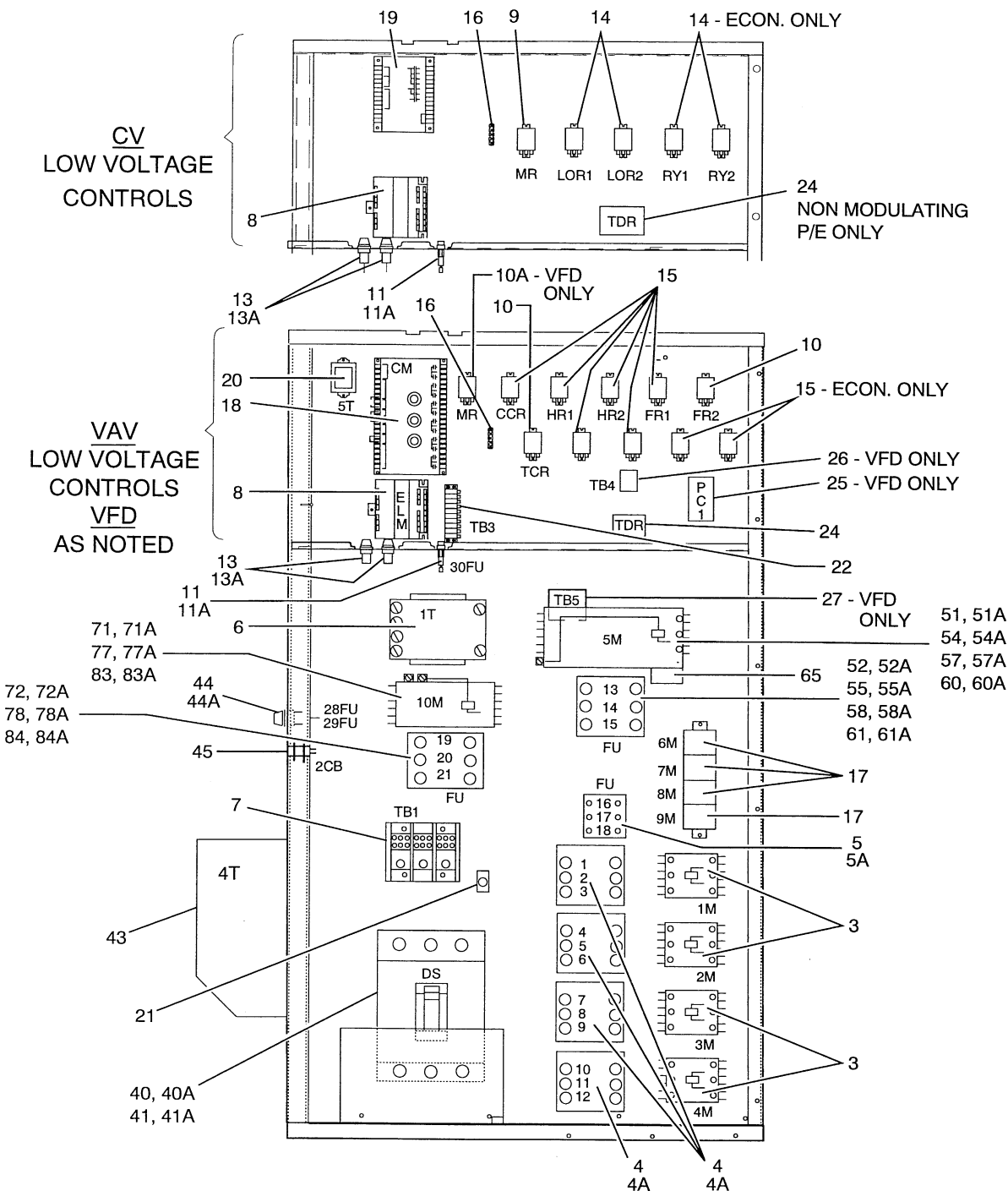
FIG. 1A – DOOR HARDWARE

ABBREVIATIONS:	CV – CONSTANT VOLUME	ECON. – ECONOMIZER
	VAV – VARIABLE AIR VOLUME	AF – AIR FOIL
	VFD – VARIABLE FREQUENCY DRIVE	FC – FORWARD CURVE
	P/E – POWER EXHAUST	IGV – INLET GUIDE VANES

New replacement parts shown in **bold face** type at the first printing of Parts List code dated 3/98. Major components and suggested stocking items are shown with item number in parenthesis "( )". Items with UNIT STYLES not shown are unaffected by style changes.

**ECONOMIZER OPTIONS** (13TH MODEL NO. DIGIT)

A = DUAL INPUT ENTHALPY      C = DRY BULB SENSOR      E = NO ECONOMIZER  
B = SINGLE INPUT ENTHALPY      D = MANUAL OPERATION



**FIG. 2 - ELECTRICAL BOX**

**BOTTOM RETURN AIR WITH ECONOMIZER**

FIG	ITEM	UNIT STYLE	DESCRIPTION	Y13 & Y14 30 & 40 TON
12	1		PANEL, DOOR W/INSUL. & LINER (2-REQ'D)	<b>373-15822-011</b>

**ECONOMIZER CONTROLS**

*	(2)		CT'L, ENTHALPY (SGL. & DUAL) (OUTSIDE AIR SENSOR) [OAS]	031-00863-000
*	(3)		CT'L, ENTHALPY (DUAL ONLY) (RETURN AIR SENSOR) [RAS]	031-00863-000
*	4		SENSOR, DRY BULB	031-01241-000
*	5		SENSOR, MIXED AIR TEMP. [MAT]	<b>025-32667-000</b>
2	-		CONTROLLER, ECONOMIZER	SEE ELEC. BOX

**DAMPER PARTS**

13	(6)		ACTUATOR, DAMPER (BELIMO) [ACT1]	<b>025-30869-000</b>
13	7		BLADE, DAMPER (16-REQ'D) SINGLE PIVOT (1)	<b>373-15822-030</b>
13	8		BLADE, DAMPER (4-REQ'D) DOUBLE PIVOT (2)	<b>373-15822-080</b>
13	9		BUSHING, DAMPER FLANGE (40-REQ'D)	029-18437-000
13	10		PIN, SLIDE (40-REQ'D)	029-18436-000
13	11		SEAL, DAMPER BLADE (25-5/8 LG.) (8-REQ'D)	<b>029-21187-000</b>
13	12		SEAL, DAMPER BLADE (38-1/2 LG.) (24-REQ'D)	029-20438-000

**LINKAGE PARTS**

13	15		ARM, JACK-SHAFT (2-REQ'D)	026-20277-700
*	16		JOINT, BALL (4-REQ'D)	029-08786-000
13	17		BRACKET, DAMPER BLADE W/PIVOT (16-REQ'D)	029-18448-000
13	18		BRACKET, DAMPER BLADE W/2 PIVOTS (4-REQ'D)	029-18449-000
*	19		PIVOT, BRASS (REPLACEMENT OF DOUBLE PIVOT)	029-18439-000
*	20		CONNECTOR, PIVOT (REPLACEMENT OF DOUBLE PIVOTS)	029-18438-000
*	21		CLAMP, LINKAGE (FOR 3/4" DIA. TUBE)	<b>025-30895-000</b>
13	22		BUSHING, SNAP (JACKSHAFT)	<b>025-23096-000</b>

(1) FURNISHED WITH SINGLE PIVOT BRACKET AND EDGE SEAL.      (2) FURNISHED WITH DOUBLE PIVOT BRACKET AND EDGE SEAL.

**ECONOMIZER, MANUAL**

**DAMPER PARTS, MANUAL**

13	25		REGULATOR, MANUAL DAMPER	026-23247-700
13	26		BLADE, DAMPER (4-REQ'D W/1-BRKT. & SEAL)	<b>373-19260-008</b>
13	27		BLADE, DAMPER (2-REQ'D W/2-BRKT.S.) (1-DBL. PIVOT & SEAL)	<b>373-19260-007</b>
13	28		BLADE, DAMPER (2-REQ'D W/2 BRKT.S. & SEAL)	<b>373-19260-057</b>
*	29		BUSHING, DAMPER FLANGE (16-REQ'D)	029-18437-000
*	30		PIN, SLIDE (16-REQ'D)	029-18436-000
13	31		SEAL, DAMPER BLADE (RETURN AIR SIDE) (4-REQ'D)	029-20075-000
13	32		SEAL, DAMPER BLADE (38-1/2 LG.) (10-REQ'D)	029-20438-000

**LINKAGE PARTS, MANUAL**

13	35		ARM CRANK, DAMPER LINK (2-REQ'D)	063-66077-000
13	35A		PIVOT, LINKAGE (2-REQ'D)	029-12656-000
13	36		BRACKET, DAMPER BLADE W/PIVOT (6-REQ'D)	029-18448-000
13	37		BRACKET, DAMPER BLADE W/PIVOT (4-REQ'D)	029-20068-000
13	38		BRACKET, DAMPER BLADE W/2 PIVOTS (2-REQ'D)	029-18449-000
*	39		PIVOT, BRASS (REPLACEMENT OF DOUBLE PIVOT)	029-18439-000
*	40		CONNECTOR, PIVOT (REPLACEMENT OF DOUBLE PIVOTS)	029-18438-000

**FRONT & REAR HINGED ECONOMIZER HOODS (2-REQ'D) AUTOMATIC ECONOMIZER**

12	45		PANEL, HOOD (TOP) 1-PER HOOD	<b>073-16150-000</b>
12	46		PANEL, HOOD (L/H SIDE) LOOKING @ HOOD FRONT	<b>073-16149-000</b>
12	47		PANEL, HOOD (R/H SIDE) LOOKING @ HOOD FRONT	<b>073-16148-000</b>
*	48		PANEL, LOWER FILTER (1-PER HOOD)	<b>073-16152-000</b>
*	49		ANGLE, LOWER FILTER (1-PER HOOD)	<b>073-16153-000</b>
*	50		CHANNEL, UPPER FILTER (1-PER HOOD)	<b>073-16151-000</b>
*	51		HINGE, HOOD 4" (2-PER HOOD)	<b>073-19227-000</b>
*	52		FILTER, ALUMINUM MESH (2-PER HOOD)	<b>026-08210-000</b>

**END ECONOMIZER HOOD (1-REQ'D)**

12	53		PANEL, HOOD (TOP)	<b>073-16145-000</b>
12	54		PANEL, HOOD (L/H SIDE) LOOKING @ HOOD FRONT	<b>073-16146-000</b>
12	55		PANEL, HOOD (R/H SIDE) LOOKING @ HOOD FRONT	<b>073-16147-000</b>
*	56		FILTER, ALUMINUM MESH (5-REQ'D)	026-08210-000

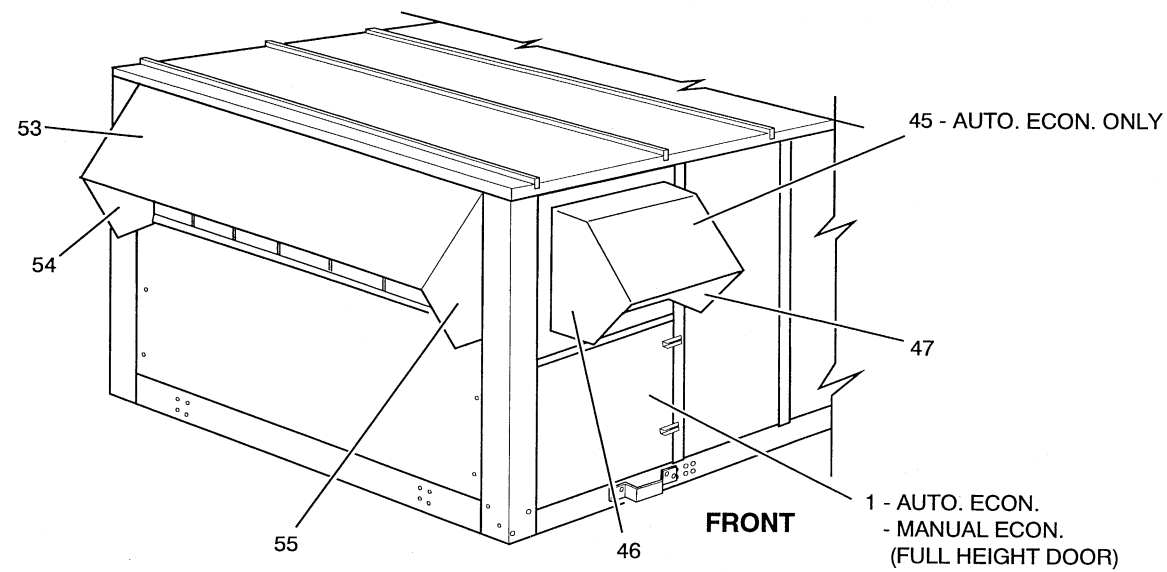


FIG. 12 - BOTTOM RETURN AIR W/ECONOMIZER

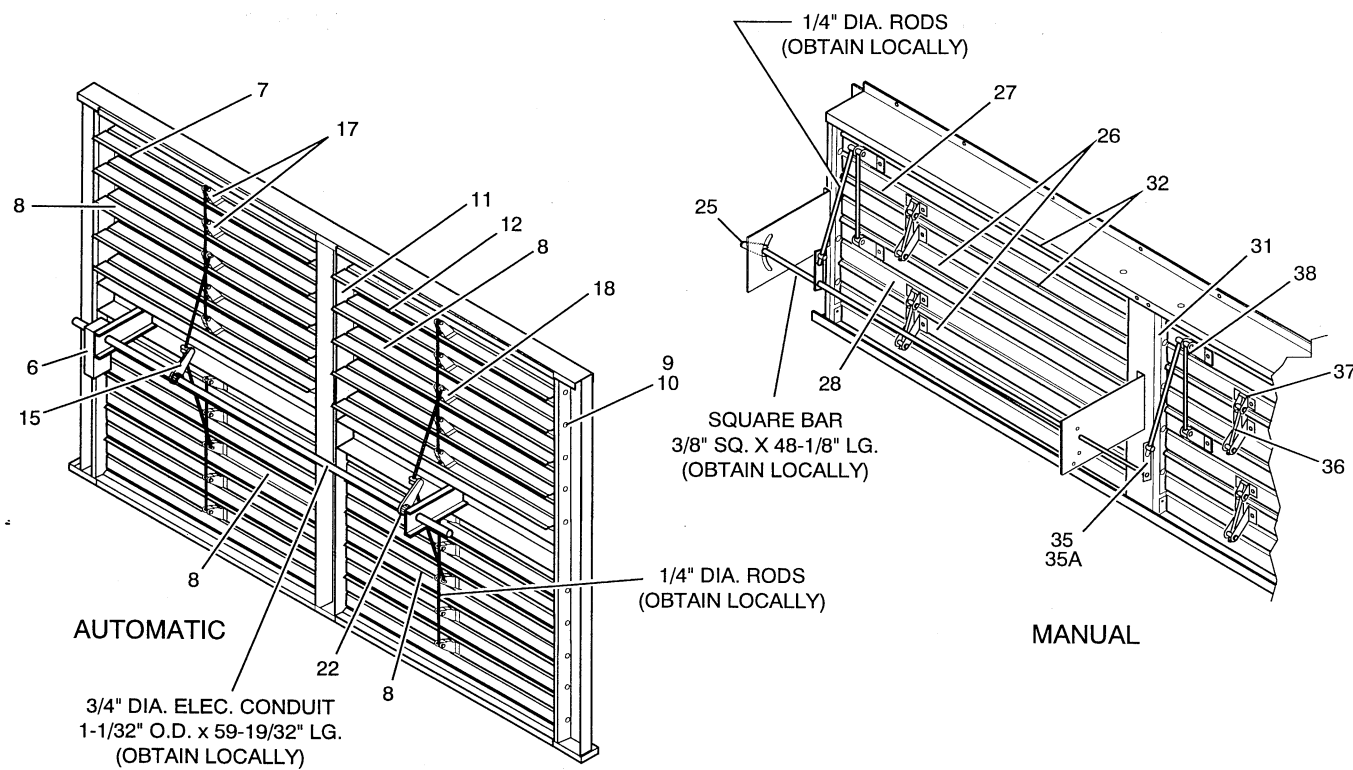


FIG. 13 - ECONOMIZER DAMPERS

**ELECTRICAL COMPONENTS (7TH MODEL NO. DIGIT)**

		VOLTAGE CODES				
		2= 208/230-3-60	4 = 460-3-60	5 = 575-3-60		
FIG	ITEM	UNIT STYLE	DESCRIPTION	Y13 & 14 208/230V	Y13 & 14 460V	Y13 & 14 575V
8	(1)		COMPR., HERMETIC (SCROLL) 30 TON SYS. 1, 2, 3	015-02917-004	015-02918-004	015-02919-004
8	(1)		COMPR., HERMETIC (SCROLL) 40 TON SYS. 1, 2, 3, 4	015-02917-004	015-02918-004	015-02919-004
*	1A		COMPR. PROTECTOR MODULE (1-PER COMPR.)	025-33361-000	025-33361-000	025-33361-000
*	(2)		MOTOR, FAN (3-REQ'D 30T, 4-REQ'D 40T)	024-24121-001	024-24121-001	024-24121-002
2	(3)		CONTACTOR, COMPRESSOR (30 TON) [1,2,3M]	024-25846-000	024-25955-000	024-25955-000
2	(3)		CONTACTOR, COMPRESSOR (40 TON) [1,2,3,4M]	024-25846-000	024-25955-000	024-25955-000
2	(4)		FUSE, DUAL (30 TON) [1 - 9FU], (40 TON) [1 - 12FU]	025-26336-000	025-12805-000	025-12804-000
2	4A		FUSEHOLDER, CRTG. (3-FUSES PER HOLDER)	025-18283-000	025-18284-000	025-18284-000
2	(5)		FUSE, DUAL (30 TON) [16,17,18FU]	025-09976-000	025-06079-000	025-05742-000
2	(5)		FUSE, DUAL (40 TON) [16,17,18FU]	025-26338-000	025-06079-000	025-05742-000
2	5A		FUSEHOLDER, CRTG. (30 & 40 TON)	025-18281-000	025-18284-000	025-18284-000
2	(6)		TRANSFORMER (30 & 40 TON) [1T]	025-32669-000	025-32669-000	025-32669-001
2	7		BLOCK, TERMINAL (30 & 40 TON) [TB1]	025-30110-000	025-20573-000	025-20573-000
2	8		MODULE, ECONOMIZER LOGIC [ELM]	031-01272-000	031-01272-000	031-01272-000
2	(9)		RELAY, CONTROL (BLOWER MOTOR) [MR]	024-24116-000	024-24116-000	024-24116-000
2	(10)		RELAY, CONTROL [TCR & FR2]	024-24116-000	024-24116-000	024-24116-000
2	(10A)		RELAY, CONTROL (VFD ONLY) [MR]	024-24116-000	024-24116-000	- - -
2	(11)		FUSE [30FU]	025-32727-002	025-32727-002	025-32727-002
2	11A		FUSEHOLDER	025-13991-000	025-13991-000	025-13991-000
*	12		LOCK-OUT, COMPR. (LOCATED IN COIL SECT.) [CLO1]	025-32680-000	025-32680-000	025-32680-000
2	(13)		FUSE, DUAL (30 & 40 TON) [22,23FU]	025-32730-001	025-27750-000	025-27750-000
2	13A		FUSEHOLDER, PANEL MOUNTED	025-17407-000	025-17407-000	025-17407-000
2	(14)		RELAY, CONTROL (30,40T W/ECON. 4-REQ'D) [LOR1,2] [RY1,2]	024-27542-000	024-27542-000	024-27542-000
2	(15)		RELAY, CONTROL (30,40T W/ECON. 8-REQ'D) [CCR] [HR1,2] [FR1] [LOR1,2] [RY1,2]	024-27542-000	024-27542-000	024-27542-000
2	16		BLOCK, TERMINAL (10-POLE) [TB2]	025-32615-000	025-32615-000	025-32615-000
2	(17)		CONTACTOR, COND. FAN (30 TON) [6,7,8M]	024-26051-000	024-26051-000	024-26051-000
2	(17)		CONTACTOR, COND. FAN (40 TON) [6,7,8,9M]	024-26051-000	024-26051-000	024-26051-000
2	18		CONTROL, UNIT (VAV) [CM]	025-32663-000	025-32663-000	025-32663-000
2	19		CONTROL, UNIT (CV) [CM]	025-32664-000	025-32664-000	025-32664-000
2	(20)		TRANSFORMER [5T]	025-32699-000	025-32699-000	025-32699-000
2	21		LUG, ELECTRIC	025-19282-000	025-19282-000	025-19282-000
2	22		BLOCK, TERMINAL [TB3]	025-16100-000	025-16100-000	025-16100-000
*	23		RESISTOR (CONNECT CM-Y TO CM-9 ON VAV)	510 Ohms	510 Ohms	510 Ohms
2	24		TIMER, ANTI-SHORT CYCLE (NON-MOD. P/E) [TDR]	031-00829-000	031-00829-000	031-00829-000
2	25		CONTROL, DUCT, PRESS. (VFD ONLY) [PC1]	031-01273-000	031-01273-000	- - -
2	26		BLOCK, TERMINAL (VFD ONLY) [TB4]	025-08979-000	025-08979-000	- - -
2	27		BLOCK, TERMINAL (VFD ONLY) [TB5]	025-30727-000	025-30727-000	- - -

\* ITEM NOT SHOWN.

**DISCONNECT OPTIONS (14TH MODEL NO. DIGIT)**

A = NO DISCONNECT B = STD. DISCONNECT W/CONVENIENCE OUTLET C = STD. DISCONNECT W/O CONVENIENCE OUTLET

FIG	ITEM	UNIT STYLE	DESCRIPTION	Y13 & 14 208/230V	Y13 & 14 460V	Y13 & 14 575V
2	40		SWITCH, DISCONNECT (250A)	025-32677-000	025-32677-000	025-32677-000
2	40A		DISCONNECT HANDLE & OPERATOR (250A)	025-32679-250	025-32679-250	025-32679-250
2	41		SWITCH, DISCONNECT (400A)	025-32678-000	025-32678-000	025-32678-000
2	41A		DISCONNECT HANDLE & OPERATOR (400A)	025-32679-400	025-32679-400	025-32679-400
*	42		OUTLET, CONVENIENCE	025-31987-000	025-31987-000	025-31987-000
*	42A		COVER, SWITCH (PLASTIC)	025-32675-000	025-32675-000	025-32675-000
2	43		TRANSFORMER [4T]	025-32672-240	025-26305-000	025-30383-000
2	44		FUSE (2-REQ'D) [28,29 FU]	025-32733-001	025-32732-001	025-32732-001
2	44A		FUSEHOLDER (2-REQ'D)	025-17407-000	025-17407-000	025-17407-000
2	45		CIRCUIT BREAKER	024-27517-000	024-27517-000	024-27517-000

\* ITEM NOT SHOWN.

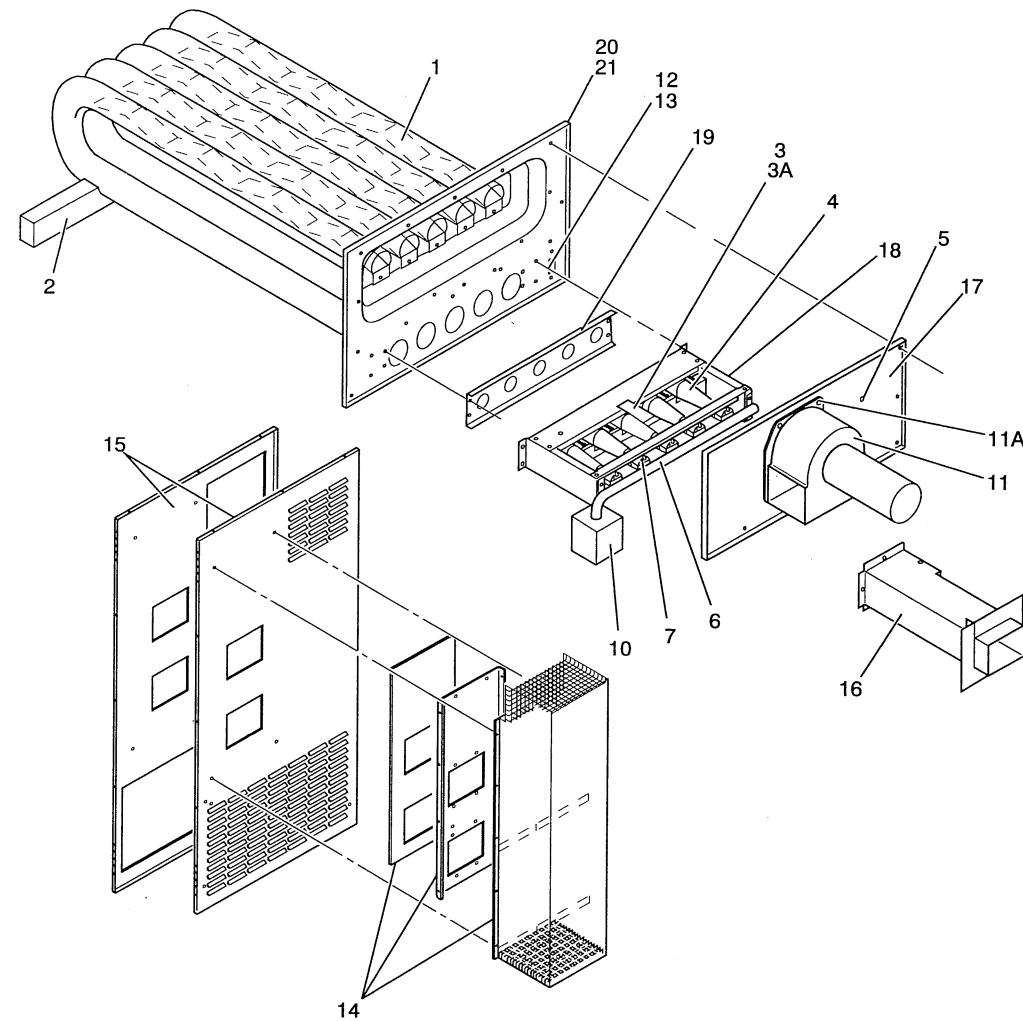


FIG. 3 – HEAT EXCHANGER & FLUE VENT ASSY.

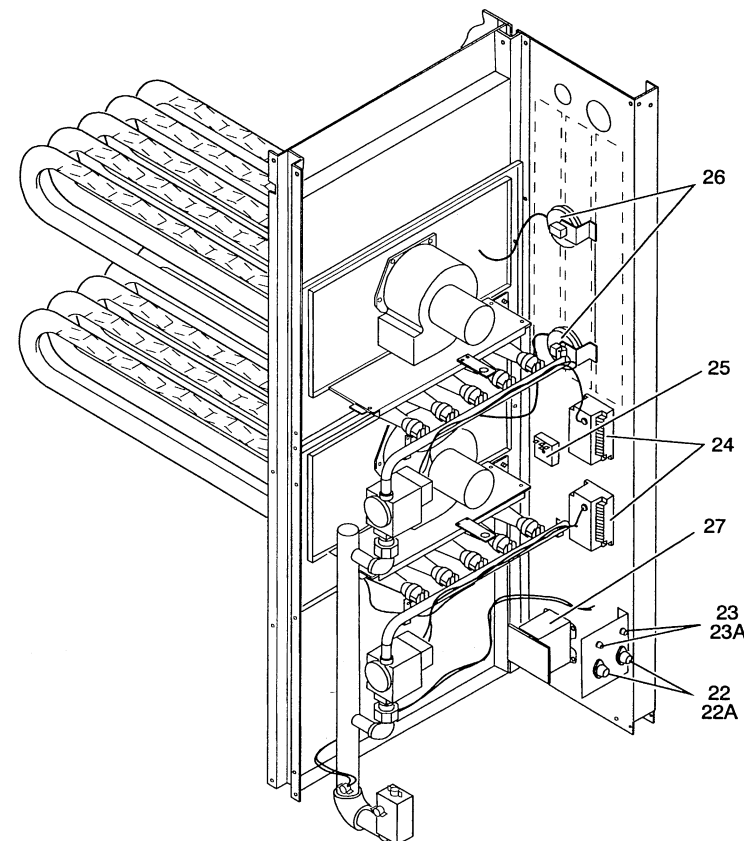


FIG. 4 – GAS HEAT CONTROLS

**SUPPLY AND RETURN OPTIONS (4TH MODEL NO. DIGIT)**

OPTION	INCLUDES	OPTION	INCLUDES	OPTION	INCLUDES
A	1, 2	C	1, 5	E	3, 4
B	1, 4	D	3, 2	F	3, 5

**CONFIGURATION**

1 = BOTTOM RETURN      3 = END RETURN      5 = FRONT SUPPLY  
2 = BOTTOM SUPPLY      4 = REAR SUPPLY

- NOTES: 1. FRONT SUPPLY ON COOLING ONLY UNITS.  
2. ELECTRIC HEAT OPTIONS WITH BOTTOM SUPPLY ONLY.  
3. GAS HEAT OPTIONS WITH BOTTOM OR REAR SUPPLY.

**BOTTOM & END RETURN - W/O ECONOMIZER OR POWER EXHAUST**

FIG	ITEM	UNIT STYLE	DESCRIPTION	Y13 & Y14 30 & 40 TON
11	1		DOOR, FRONT/REAR W/INSUL. & LINER (2-REQ'D)	<b>373-18702-001</b>
11	2		PANEL, UPPER W/INSUL. & LINER	<b>373-18702-003</b>
11	3		PANEL, LOWER W/INSUL. & LINER	<b>373-18704-001</b>

**POWER EXHAUST OR BAROMETRIC RELIEF HOOD**

FIG	ITEM	UNIT STYLE	DESCRIPTION	073-16154-000
11	4		PANEL, HOOD (TOP)	<b>073-16154-000</b>
11	5		PANEL, HOOD (L/H SIDE) LOOKING @ HOOD FRONT	<b>073-16155-000</b>
11	6		PANEL, HOOD (R/H SIDE) LOOKING @ HOOD FRONT	<b>073-16156-000</b>
11	7		PANEL, HOOD (BOTTOM)	<b>073-16157-000</b>
11	8		PANEL, EXHAUST W/INSUL. & LINER	<b>373-18703-001</b>

**BOTTOM RETURN - WITH BAROMETRIC RELIEF**

FIG	ITEM	UNIT STYLE	DESCRIPTION	026-34680-000
11	9		DAMPER ASS'Y, BACKDRAFT 18-1/8" x 48"	<b>026-34680-000</b>

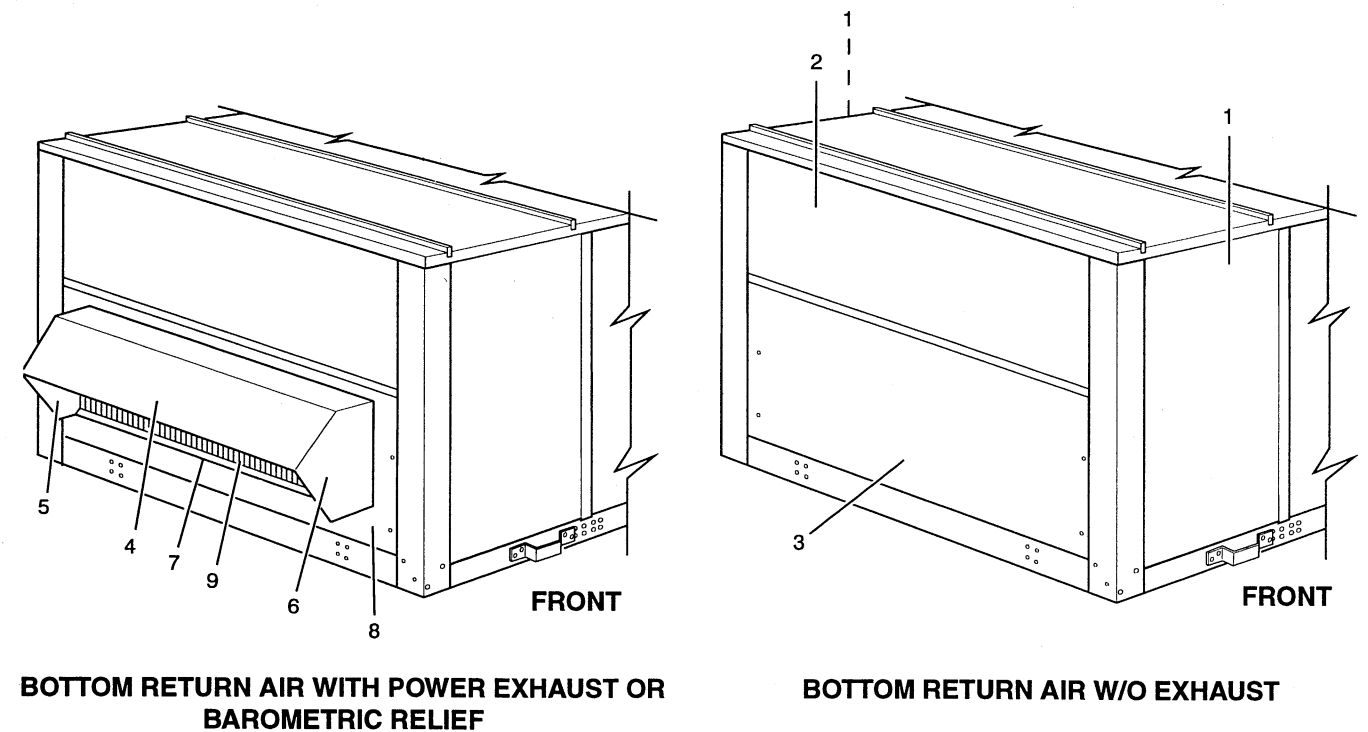


FIG. 11 – SUPPLY & RETURN

**FILTER OPTIONS** (11TH MODEL NO. DIGIT)

A = STANDARD B = 65% EFFICIENCY C = 95% EFFICIENCY D = HIGH EFFICIENCY

NOTE: 10 FILTERS REQ'D PER UNIT.

FIG	ITEM	UNIT STYLE	FILTER OPTIONS	DESCRIPTION	Y13 & 14 30 & 40 TON
*	1A		A	FILTER, 2" STANDARD (4-REQ'D)	2 x 16 x 25
*	1B		A	FILTER, 2" STANDARD (6-REQ'D)	2 x 20 x 25
*	2A		B	FILTER, 6" - 65% (4-REQ'D)	6 x 16 x 25
*	2B		B	FILTER, 6" - 65% (6-REQ'D)	6 x 20 x 25
*	3A		C	FILTER, 6" - 95% (4-REQ'D)	6 x 16 x 25
*	3B		C	FILTER, 6" - 95% (6-REQ'D)	6 x 20 x 25
*	4A		D	FILTER, 2" PLEATED (4-REQ'D)	2 x 16 x 25
*	4B		D	FILTER, 2" PLEATED (6-REQ'D)	2 x 20 x 25

**GAS HEAT SECTION & CONTROLS** (5TH & 6TH MODEL NO. DIGIT)

HEAT SOURCE	HEAT CAPACITY	HEAT SOURCE	HEAT CAPACITY
N = NATURAL GAS	2 = 233 MBH	W = HOT WATER	1 = XXXX
S = NATURAL GAS*	4 = 466 MBH		2 = XXX
	7 = 700 MBH		2 = XXX
			3 = XXX
E = ELECTRIC HEAT	4 = 40 KW	C = COOLING ONLY	0 = NO HEAT**
	8 = 80 KW		
	1 = 108 KW		

\* Includes stainless steel heat exchanger.

\*\* Refer to common parts for panel/door.

FIG	ITEM	UNIT STYLE	DESCRIPTION	Y13 & Y14 208/230V 5 & 10-BURNER	Y13 & Y14 460V 5 & 10-BURNER	Y13 & Y14 575V 5 & 10-BURNER
3	1		BAFFLE, HEAT EXCH.TUBE (1-PER TUBE)	<b>073-16178-000</b>	<b>073-16178-000</b>	<b>073-16178-000</b>
3	2		SUPPORT, HEAT EXCH. TUBE (2-REQ'D - 466 MBH)	<b>073-16053-000</b>	<b>073-16053-000</b>	<b>073-16053-000</b>
3	3		BRACKET, ROLLOUT SWITCH (2-REQ'D-466 MBH)	<b>073-17161-000</b>	<b>073-17161-000</b>	<b>073-17161-000</b>
3	(3A)		SWITCH, ROLLOUT (2-REQ'D-466 MBH) [RS-1,2]	025-27747-003	025-27747-003	025-27747-003
3	4		BURNER, GAS (1 - PER BURNER)	<b>029-22115-000</b>	<b>029-22115-000</b>	<b>029-22115-000</b>
3	5		FITTING, AIR PRESSURE TAP (2-REQ'D - 466 MBH)	<b>023-16881-000</b>	<b>023-16881-000</b>	<b>023-16881-000</b>
3	6		MANIFOLD, GAS (2-REQ'D-466 MBH)	<b>029-21176-000</b>	<b>029-21176-000</b>	<b>029-21176-000</b>
3	7		ORIFICE, BURNER #30 (1-PER BURNER)	029-20423-030	029-20423-030	029-20423-030
*	(8)		IGNITOR (2-REQ'D-466 MBH)	<b>025-32661-002</b>	<b>025-32661-002</b>	<b>025-32661-002</b>
*	(9)		SENSOR, FLAME (2-REQ'D-466 MBH)	<b>025-32661-001</b>	<b>025-32661-001</b>	<b>025-32661-001</b>
3	(10)		VALVE, GAS (2-REQ'D-466 MBH) WHITE RODGERS	<b>025-32695-000</b>	<b>025-32695-000</b>	<b>025-32695-000</b>
3	11		VENTOR BLOWER ASSEMBLY (1) (2-REQ'D - 466 MBH)	<b>024-27516-000</b>	<b>024-27516-000</b>	<b>024-27516-000</b>
3	11A		GASKET, VENTOR (2-REQ'D-466 MBH)	<b>028-13291-000</b>	<b>028-13291-000</b>	<b>028-13291-000</b>
3	(12)		SWITCH, LIMIT (233 MBH - 1-REQ'D) 30TON [LS-1]	025-30861-000	025-30861-000	025-30861-000
3	(12)		SWITCH, LIMIT (233 MBH - 1-REQ'D) 40TON [LS-1]	<b>025-32700-000</b>	<b>025-32700-000</b>	<b>025-32700-000</b>
3	(13)		SWITCH, LIMIT (466 MBH - 2-REQ'D) 30TON [LS-1,2]	<b>025-32706-000</b>	<b>025-32706-000</b>	<b>025-32706-000</b>
3	(13)		SWITCH, LIMIT (466 MBH - 2-REQ'D) 40TON [LS-1,2]	<b>025-32700-000</b>	<b>025-32700-000</b>	<b>025-32700-000</b>
3	14		FLUE VENT ASS'Y (233 & 466 MBH)	<b>373-16198-046</b>	<b>373-16198-046</b>	<b>373-16198-046</b>
3	15		DOOR ASS'Y GAS HEAT (233 & 466 MBH)	<b>373-16198-035</b>	<b>373-16198-035</b>	<b>373-16198-035</b>
3	16		FLUE DUCT ASS'Y (2-REQ'D - 466 MBH)	<b>373-16198-007</b>	<b>373-16198-007</b>	<b>373-16198-007</b>
3	17		RESTRICTOR PLATE ASS'Y (2-REQ'D - 466 MBH)	<b>373-16198-002</b>	<b>373-16198-002</b>	<b>373-16198-002</b>
3	18		BURNER FRAME ASS'Y (2-REQ'D - 466 MBH)	<b>373-16198-003</b>	<b>373-16198-003</b>	<b>373-16198-003</b>
3	19		SHOOT-THRU PLATE W/GSKT. (2-REQ'D - 466 MBH)	<b>373-16198-004</b>	<b>373-16198-004</b>	<b>373-16198-004</b>
3	20		HEAT EXCH. ASS'Y W/BAFFLES (2-REQ'D - 466 MBH)	<b>373-16198-001</b>	<b>373-16198-001</b>	<b>373-16198-001</b>
3	21		S. ST. HEAT EXCH. ASS'Y W/BAFFLES (2-REQ'D - 466 MBH)	<b>373-16198-051</b>	<b>373-16198-051</b>	<b>373-16198-051</b>
4	(22)		FUSE (2-REQ'D) (233 & 466 MBH) [24,25FU]	<b>025-32730-001</b>	<b>025-32730-001</b>	<b>025-32729-001</b>
4	22A		FUSEHOLDER (2-REQ'D) (233 & 466 MBH)	025-17407-000	025-17407-000	025-17407-000
4	(23)		FUSE (2-REQ'D) (233 & 466 MBH) [26,27FU]	---	025-21113-000	025-21113-000
4	23A		FUSEHOLDER (2-REQ'D) (233 & 466 MBH)	---	025-13991-000	025-13991-000
4	(24)		IGNITION, MODULE (233 & 466 MBH) [IC1,2]	<b>031-01283-000</b>	<b>031-01283-000</b>	<b>031-01283-000</b>
4	(25)		RELAY, CONTROL (233 & 466 MBH) [BR-1]	024-24116-000	024-24116-000	024-24116-000
4	(26)		SWITCH, PRESSURE [PS1 OR PS2]	024-25975-000	024-25975-000	024-25975-000
4	(27)		TRANSFORMER (233 & 466 MBH) [2T]	---	025-26309-000	<b>025-30886-000</b>

(1) INCLUDES MOTOR, WHEEL, & HOUSING.  
\* ITEM NOT SHOWN.

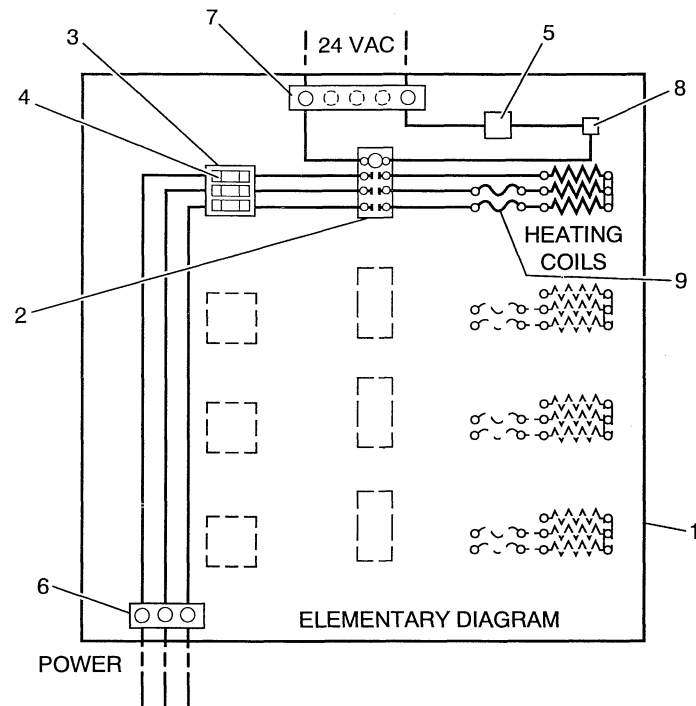
FOR FIELD INSTALLED ACCESSORIES SEE THE FOLLOWING PARTS LISTS:

**ACCESSORIES - NON-ELECTRICAL**

DESCRIPTION	MODEL NO.	NOTE:
NATURAL TO LP CONVERSION KIT	1NP0436	233 MBH - 1 KIT REQ'D
HIGH ALTITUDE KIT FOR NAT. GAS	1HA0417	466 MBH - 2 KITS REQ'D
HIGH ALTITUDE KIT FOR LP GAS	1HA0418	700 MBH - 3 KITS REQ'D
LP TO NATURAL CONVERSION KIT	1PN0437	

New replacement parts shown in **bold face** type at the first printing of Parts List code dated 3/98.  
Major components and suggested stocking items are shown with item number in parenthesis "( )".  
Items with UNIT STYLES not shown are unaffected by style changes.

**ELEC. HEAT SECTION & CONTROLS** (5TH & 6TH MODEL NO. DIGIT)



**FIG. 5 – ELEC. HEAT CONTROLS**

**ELECTRIC HEAT – (30 TON)**

**40 KW HEAT**

FIG	ITEM	UNIT STYLE	DESCRIPTION	240V	480V	575V
5	1		ELECTRIC HEAT UNIT 40 KW W/CONTROLS	025-32647-000	025-32648-040	025-32649-040
5	2		CONTACTORS (2-REQ'D)	024-30908-000	---	---
5	2		CONTACTOR (1-REQ'D)	---	024-30908-000	024-30908-000
5	3		FUSE BLOCK (2-REQ'D)	025-33741-000	---	---
5	3		FUSE BLOCK (1-REQ'D)	---	025-33747-000	025-33747-000
5	4		FUSES, 60A (6-REQ'D)	025-33742-000	---	---
5	4		FUSES, 60A (3-REQ'D)	---	025-33748-000	025-33748-000
5	5		SWITCH, AIR FLOW	025-33743-000	025-33743-000	025-33743-000
5	6		TERMINAL BLOCK, POWER VOLTAGE	025-33744-000	025-33744-000	025-33744-000
5	7		TERMINAL BLOCK, CONTROL VOLTAGE	025-33745-000	025-33745-000	025-33745-000
5	8		CONTROL, PRIMARY LIMIT TEMP. (1-REQ'D) (2)	025-32774-000	---	---
5	8		CONTROL, PRIMARY LIMIT TEMP. (1-REQ'D) (1)	---	025-32773-000	025-32773-000
5	9		CONTROL, BACKUP LIMIT TEMP. (4-REQ'D) (5)	025-32777-000	---	---
5	9		CONTROL, BACKUP LIMIT TEMP. (2-REQ'D) (4)	---	025-32776-000	---
5	9		CONTROL, BACKUP LIMIT TEMP. (2-REQ'D) (3)	---	---	025-32775-000

**80 KW HEAT**

FIG	ITEM	UNIT STYLE	DESCRIPTION	240V	480V	575V
5	1		ELECTRIC HEAT UNIT 80 KW W/CONTROLS	025-32647-080	025-32648-080	025-32649-080
5	2		CONTACTORS (4-REQ'D)	024-30908-000	---	---
5	2		CONTACTORS (2-REQ'D)	---	024-30908-000	024-30908-000
5	3		FUSE BLOCK (4-REQ'D)	025-33741-000	---	---
5	3		FUSE BLOCK (2-REQ'D)	---	025-33747-000	025-33747-000
5	4		FUSES, 60A (12-REQ'D)	025-33742-000	---	---
5	4		FUSES, 60A (6-REQ'D)	---	025-33748-000	025-33748-000
5	5		SWITCH, AIR FLOW	025-33743-000	025-33743-000	025-33743-000
5	6		TERMINAL BLOCK, POWER VOLTAGE	025-33744-000	025-33744-000	025-33744-000
5	7		TERMINAL BLOCK, CONTROL VOLTAGE	025-33746-000	025-33746-000	025-33746-000
5	8		CONTROL, PRIMARY LIMIT TEMP. (1-REQ'D) (1)	025-32773-000	---	---
5	8		CONTROL, PRIMARY LIMIT TEMP. (1-REQ'D) (2)	---	025-32774-000	025-32774-000
5	9		CONTROL, BACKUP LIMIT TEMP. (8-REQ'D) (6)	025-32778-000	---	---
5	9		CONTROL, BACKUP LIMIT TEMP. (4-REQ'D) (7)	---	025-32779-000	---
5	9		CONTROL, BACKUP LIMIT TEMP. (4-REQ'D) (6)	---	---	025-32778-000

30 TON (SUPPLY AIR CFM ADJUSTMENT WITH MOTOR PULLEY REPLACEMENT)															
10 HP Motor & 758 RPM Drive				15 HP Motor & 868 RPM Drive				20 HP Motor & 966 RPM Drive				25 HP Motor & 1,050 RPM Drive			
% RPM & CFM	Blower RPM	Req'd PD (in.)	Browning 2B5V ---	% RPM & CFM	Blower RPM	Req'd PD (in.)	Browning 2B5V ---	% RPM & CFM	Blower RPM	Req'd PD (in.)	Browning 2B5V ---	% RPM & CFM	Blower RPM	Req'd PD (in.)	Browning 2B5V ---
For slower blower speeds down to 490 RPM (65% of nominal), replace motor pulley and bushing with a Browning 2MVP35B49 x 1-3/8" P/N 028-13931-000				For slower blower speeds down to 560 RPM (65% of nominal), replace motor pulley and bushing with a Browning 2MVP40B54 x 1-5/8" P/N 028-13932-000				68.1	658	4.7	46	65.3	686	4.9	48
89.1	675	4.9	46	90.5	785	5.7	54	91.3	882	6.3	62	89.3	938	6.7	66
92.7	703	5.1	48	93.7	813	5.9	56	94.2	910	6.5	64	92.0	966	6.9	68
96.4	730	5.3	50	96.8	840	6.1	58	97.1	938	6.7	66	94.7	994	7.1	70
100.0	758	(std) 5.5	52	100.0	868	(std) 6.3	60	100.0	966	(std) 6.9	68	100.0	1050	(std) 7.5	74
103.6	785	5.7	54	103.2	896	6.5	62	102.9	994	7.1	70	108.0	1134	8.1	80
107.3	813	5.9	56	106.4	923	6.7	64	108.7	1050	7.5	74	116.0	1218	8.7	86
110.9	840	6.1	58	109.5	951	6.9	66	117.4	1134	8.1	80				
114.5	868	6.3	60	112.7	978	7.1	68								
118.2	896	6.5	62	115.9	1006	7.3	70								

NOTE: Reuse the existing bushing when changing one Browning 2B5V pulley to another.

40 TON (SUPPLY AIR CFM ADJUSTMENT WITH MOTOR PULLEY REPLACEMENT)															
10 HP Motor & 667 RPM Drive				15 HP Motor & 768 RPM Drive				20 HP Motor & 830 RPM Drive				25 HP Motor & 881 RPM Drive			
% RPM & CFM	Blower RPM	Req'd PD (in.)	Browning 2B5V ---	% RPM & CFM	Blower RPM	Req'd PD (in.)	Browning 2B5V ---	% RPM & CFM	Blower RPM	Req'd PD (in.)	Browning 2B5V ---	% RPM & CFM	Blower RPM	Req'd PD (in.)	Browning 2B5V ---
For slower blower speeds down to 450 RPM (68% of nominal), replace motor pulley and bushing with a Browning 2MVP35B49 x 1-3/8" P/N 028-13931-000				For slower blower speeds down to 515 RPM (67% of nominal), replace motor pulley and bushing with a Browning 2MVP40B54 x 1-5/8" P/N 028-13932-000				72.3	600	4.7	46	68.1	600	4.7	46
92.5	617	4.9	48	93.4	717	5.7	54	93.8	779	6.1	60	94.2	830	6.5	64
96.2	642	5.1	50	96.7	743	5.9	56	96.9	804	6.3	62	97.1	856	6.7	66
100.0	667	(std) 5.3	52	100.0	768	(std) 6.1	58	100.0	830	(std) 6.5	64	100.0	881	(std) 6.9	68
103.8	692	5.5	54	103.3	793	6.3	60	103.1	856	6.7	66	102.9	907	7.1	70
107.5	717	5.7	56	106.6	818	6.5	62	106.2	881	6.9	68	108.7	958	7.5	74
111.3	743	5.9	58	109.8	844	6.7	64	109.2	907	7.1	70	117.4	1034	8.1	80
115.1	768	6.1	60	113.1	869	6.9	66	115.4	958	7.5	74				
118.9	793	6.3	62	116.4	894	7.1	68								

NOTE: Reuse the existing bushing when changing one Browning 2B5V pulley to another.

**INDOOR BLOWER DRIVE OPTIONS** (ASSOCIATED WITH 9TH MODEL NO. DIGIT)

	FIG	ITEM	UNIT STYLE	DESCRIPTION	Y13 30 TON	Y14 40 TON
10 HP	10	20		PULLEY/SHEAVE 10 HP (BLOWER)	028-12307-000	028-13273-000
	10	20A		BUSHING (2-3/16 BORE)	028-12338-000	- - -
	10	20A		BUSHING (2-7/16 BORE)	- - -	028-12306-000
	10	21		PULLEY/SHEAVE 10 HP (MOTOR)	028-13270-000	028-13269-000
	10	21A		BUSHING (1-3/8 BORE)	028-13275-000	028-13275-000
	10	22		"V" BELT (BX 55) (2-REQ'D)	028-12367-000	- - -
15 HP	10	22		"V" BELT (BX 68) (2-REQ'D)	- - -	028-10382-000
	10	23		PULLEY/SHEAVE 15 HP (BLOWER)	028-12307-000	028-13273-000
	10	23A		BUSHING (2-3/16 BORE)	028-12338-000	- - -
	10	23A		BUSHING (2-7/16 BORE)	- - -	028-12306-000
	10	24		PULLEY/SHEAVE 15 HP (MOTOR)	028-13271-000	028-12070-000
	10	24A		BUSHING (1-5/8 BORE)	028-12082-000	028-12082-000
20 HP	10	25		"V" BELT (BX 55) (2-REQ'D)	028-12367-000	- - -
	10	25		"V" BELT (BX 68) (2-REQ'D)	- - -	028-10382-000
	10	26		PULLEY/SHEAVE 20 HP (BLOWER)	028-12307-000	028-13273-000
	10	26A		BUSHING (2-3/16 BORE)	028-12338-000	- - -
	10	26A		BUSHING (2-7/16 BORE)	- - -	028-12306-000
	10	27		PULLEY/SHEAVE 20 HP (MOTOR)	028-12308-000	028-13272-000
25 HP	10	27A		BUSHING (1-5/8 BORE)	028-12082-000	028-12082-000
	10	28		"V" BELT (5VX 580) (2-REQ'D)	028-13295-000	- - -
	10	28		"V" BELT (5VX 710) (2-REQ'D)	- - -	028-13296-000
	10	29		PULLEY/SHEAVE 25 HP (BLOWER)	028-12307-000	028-13273-000
	10	29A		BUSHING (2-3/16 BORE)	028-12338-000	- - -
	10	29A		BUSHING (2-7/16 BORE)	- - -	028-12306-000
25 HP	10	30		PULLEY/SHEAVE 25 HP (MOTOR)	028-12073-000	028-12308-000
	10	30A		BUSHING (1-7/8 BORE)	028-12083-000	028-12083-000
	10	31		"V" BELT (5VX 580) (2-REQ'D)	028-13295-000	- - -
	10	31		"V" BELT (5VX 710) (2-REQ'D)	- - -	028-13296-000

**SUPPLY AIR DRIVE ADJUSTMENT**

Use the following tables and pitch diameter (PD) to select a new motor pulley/sheave.  
(Specified CFM / Measured CFM) x PD of standard motor pulley = PD of new motor pulley

BROWNING 2B5V --	PART NUMBER	BROWNING 2B5V --	PART NUMBER	BROWNING 2B5V -	PART NUMBER	BROWNING 2B5V -	PART NUMBER
46	028-13927-000	54	028-13929-000	62	028-13294-000	70	028-12072-700
48	028-13928-000	56	028-13930-000	64	028-13272-000	74	028-12073-700
50	028-13269-000	58	028-12070-700	66	028-12071-700	80	028-12074-700
52	028-13270-000	60	028-13271-000	68	028-12308-700	86	028-12335-700

**30 TON (CONT'D)**

**108 KW HEAT**

FIG	ITEM	UNIT STYLE	DESCRIPTION	240V	480V	575V
5	1		ELECTRIC HEAT UNIT 108 KW W/CONTROLS	N/A	025-32648-108	025-32649-108
5	2		CONTACTORS (3-REQ'D)	N/A	024-30908-000	024-30908-000
5	3		FUSE BLOCK (3-REQ'D)	N/A	025-33747-000	025-33747-000
5	4		FUSES, 60A (9-REQ'D)	N/A	025-33748-000	---
5	4		FUSES, 50A (9-REQ'D)	N/A	---	025-33750-000
5	5		SWITCH, AIR FLOW	N/A	025-33743-000	025-33743-000
5	6		TERMINAL BLOCK, POWER VOLTAGE	N/A	025-33744-000	025-33744-000
5	7		TERMINAL BLOCK, CONTROL VOLTAGE	N/A	025-33749-000	025-33749-000
5	8		CONTROL, PRIMARY LIMIT TEMP. (1-REQ'D) (2)	N/A	025-32774-000	025-32774-000
5	9		CONTROL, BACKUP LIMIT TEMP. (6-REQ'D) (7)	N/A	025-32779-000	025-32779-000

**ELECTRIC HEAT - (40 TON)**

**40 KW HEAT**

FIG	ITEM	UNIT STYLE	DESCRIPTION	240V	480V	575V
5	1		ELECTRIC HEAT UNIT 40 KW W/CONTROLS	025-32647-040	025-32648-040	025-32649-040
5	2		CONTACTORS (2-REQ'D)	024-30908-000	---	---
5	2		CONTACTOR (1-REQ'D)	---	024-30908-000	024-30908-000
5	3		FUSE BLOCK (2-REQ'D)	025-33741-000	---	---
5	3		FUSE BLOCK (1-REQ'D)	---	025-33747-000	025-33747-000
5	4		FUSES, 60A (6-REQ'D)	025-33742-000	---	---
5	4		FUSES, 60A (3-REQ'D)	---	025-33748-000	025-33748-000
5	5		SWITCH, AIR FLOW	025-33743-000	025-33743-000	025-33743-000
5	6		TERMINAL BLOCK, POWER VOLTAGE	025-33744-000	025-33744-000	025-33744-000
5	7		TERMINAL BLOCK, CONTROL VOLTAGE	025-33745-000	025-33745-000	025-33745-000
5	8		CONTROL, PRIMARY LIMIT TEMP. (1-REQ'D) (1)	025-32773-000	025-32773-000	025-32773-000
5	9		CONTROL, BACKUP LIMIT TEMP. (4-REQ'D) (6)	025-32778-000	---	---
5	9		CONTROL, BACKUP LIMIT TEMP. (2-REQ'D) (6)	---	025-32778-000	025-32778-000

**80 KW HEAT**

FIG	ITEM	UNIT STYLE	DESCRIPTION	240V	480V	575V
5	1		ELECTRIC HEAT UNIT 80 KW W/CONTROLS	025-32647-080	025-32648-080	025-32649-080
5	2		CONTACTORS (4-REQ'D)	024-30908-000	---	---
5	2		CONTACTORS (2-REQ'D)	---	024-30908-000	024-30908-000
5	3		FUSE BLOCK (4-REQ'D)	025-33741-000	---	---
5	3		FUSE BLOCK (2-REQ'D)	---	025-33747-000	025-33747-000
5	4		FUSES, 60A (12-REQ'D)	025-33742-000	---	---
5	4		FUSES, 60A (6-REQ'D)	---	025-33748-000	025-33748-000
5	5		SWITCH, AIR FLOW	025-33743-000	025-33743-000	025-33743-000
5	6		TERMINAL BLOCK, POWER VOLTAGE	025-33744-000	025-33744-000	025-33744-000
5	7		TERMINAL BLOCK, CONTROL VOLTAGE	025-33746-000	025-33746-000	025-33746-000
5	8		CONTROL, PRIMARY LIMIT TEMP. (1-REQ'D) (1)	025-32773-000	025-32773-000	025-32773-000
5	9		CONTROL, BACKUP LIMIT TEMP. (8-REQ'D) (6)	025-32778-000	---	---
5	9		CONTROL, BACKUP LIMIT TEMP. (4-REQ'D) (6)	---	025-32778-000	025-32778-000

**108 KW HEAT**

FIG	ITEM	UNIT STYLE	DESCRIPTION	240V	480V	575V
5	1		ELECTRIC HEAT UNIT 108 KW W/CONTROLS	N/A	025-32648-108	025-32649-108
5	2		CONTACTORS (3-REQ'D)	N/A	024-30908-000	024-30908-000
5	3		FUSE BLOCK (3-REQ'D)	N/A	025-33747-000	025-33747-000
5	4		FUSES, 60A (9-REQ'D)	N/A	025-33748-000	---
5	4		FUSES, 50A (9-REQ'D)	N/A	---	025-33750-000
5	5		SWITCH, AIR FLOW	N/A	025-33743-000	025-33743-000
5	6		TERMINAL BLOCK, POWER VOLTAGE	N/A	025-33744-000	025-33744-000
5	7		TERMINAL BLOCK, CONTROL VOLTAGE	N/A	025-33749-000	025-33749-000
5	8		CONTROL, PRIMARY LIMIT TEMP. (1-REQ'D) (1)	N/A	025-32773-000	025-32773-000
5	9		CONTROL, BACKUP LIMIT TEMP. (6-REQ'D) (6)	N/A	025-32778-000	---
5	9		CONTROL, BACKUP LIMIT TEMP. (6-REQ'D) (5)	N/A	---	025-32777-000

- (1) 025-32773-000 OPENS @ 125° F, CLOSE @ 85° F, W/AUTO RESET
- (2) 025-32774-000 OPENS @ 135° F, CLOSE @ 95° F, W/AUTO RESET
- (3) 025-32775-000 OPENS @ 160° F
- (4) 025-32776-000 OPENS @ 170° F
- (5) 025-32777-000 OPENS @ 180° F
- (6) 025-32778-000 OPENS @ 190° F
- (7) 025-32779-000 OPENS @ 200° F

**BLOWER MOTORS AND CONTROLS (9TH MODEL NO. DIGIT)**

**INDOOR BLOWER MOTOR**

1 = 10 HP STD.      3 = 20 HP STD.      5 = 10 HP HI EFFICIENCY      7 = 20 HP HI EFFICIENCY  
2 = 15 HP STD.      4 = 25 HP STD.      6 = 15 HP HI EFFICIENCY      8 = 25 HP HI EFFICIENCY

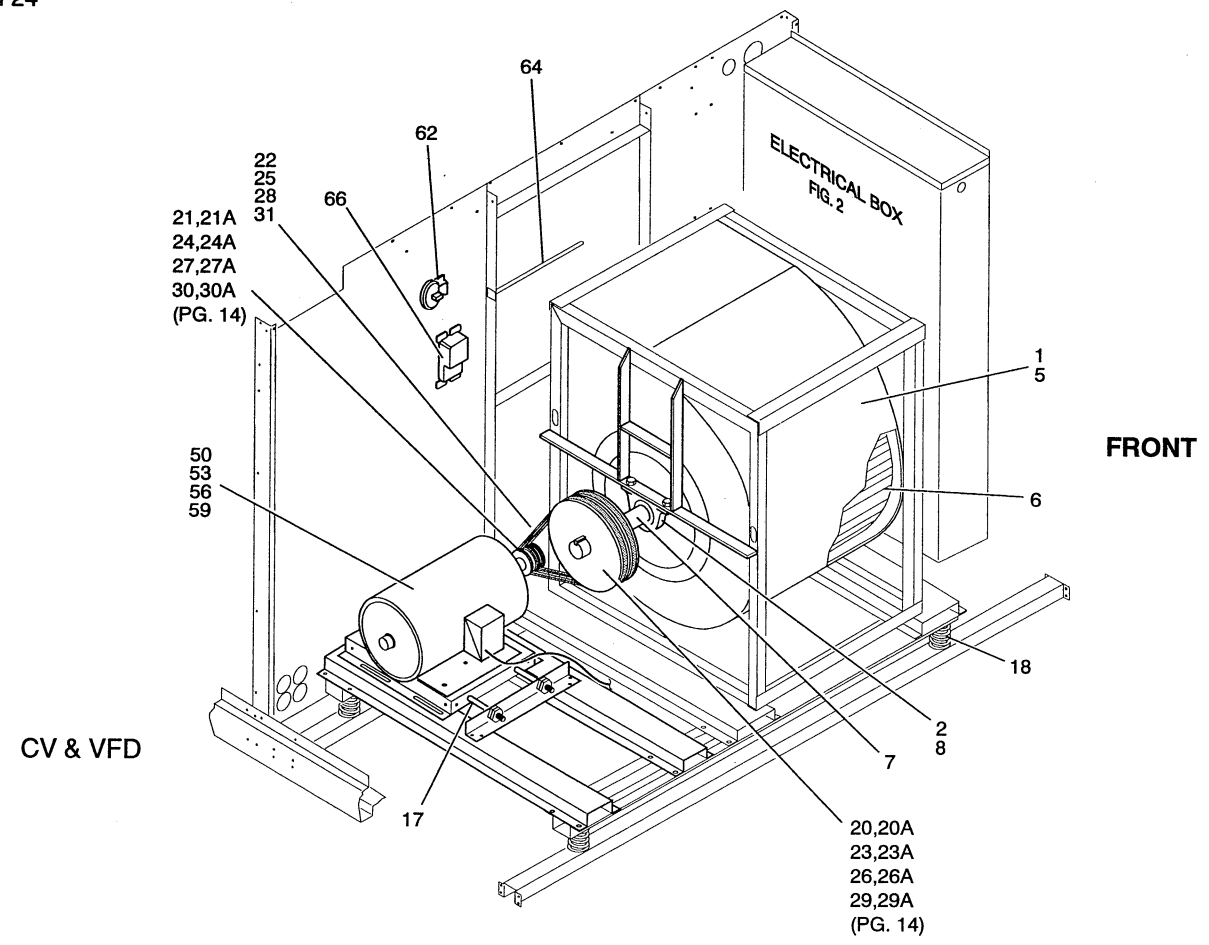
	FIG	ITEM	UNIT STYLE	DESCRIPTION	Y13 & Y14 208/230V	Y13 & Y14 460V	Y13 & Y14 575V
10HP	10	(50)		MOTOR, BLOWER (10 HP) STD. EFF.	024-25025-000	024-25025-000	024-25031-000
	10	(50)		MOTOR, BLOWER (10 HP) HI - EFF. & VFD	024-25079-000	024-25079-000	---
	2	(51)		STARTER, MTR. (FURNAS) [5M]	<b>024-27528-000</b>	<b>024-27527-000</b>	<b>024-27527-000</b>
	2	(51A)		STARTER ELEMENTS (OVERLOAD) (3-REQ'D)	024-20844-000	024-19422-000	<b>024-26052-000</b>
	2	52		FUSE, DUAL [13,14,15FU]	025-08436-000	025-12804-000	025-05741-000
15HP	2	52A		FUSEHOLDER, CRTG.	025-18283-000	025-18284-000	025-18284-000
	10	(53)		MOTOR, BLOWER (15 HP) STD. EFF.	024-25024-000	024-25024-000	024-25030-000
	10	(53)		MOTOR, BLOWER (15 HP) HI - EFF. & VFD	024-25080-000	024-25080-000	---
	2	(54)		STARTER, MTR. (FURNAS) [5M]	024-27529-000	<b>024-27527-000</b>	<b>024-27527-000</b>
	2	(54A)		STARTER ELEMENTS (OVERLOAD) (3-REQ'D)	024-19606-000	<b>024-21055-000</b>	024-21045-000
20HP	2	55		FUSE, DUAL [13,14,15FU]	025-18539-000	025-04650-000	025-12805-000
	2	55A		FUSEHOLDER, CRTG.	025-26395-000	025-18284-000	025-18284-000
	10	(56)		MOTOR, BLOWER (20 HP) STD. EFF.	024-25023-000	024-25023-000	024-25029-000
	10	(56)		MOTOR, BLOWER (20 HP) HI - EFF. & VFD	024-25081-000	024-25081-000	---
	2	(57)		STARTER, MTR. (FURNAS) [5M]	<b>024-26015-000</b>	<b>024-27527-000</b>	<b>024-27527-000</b>
25HP	2	(57A)		STARTER ELEMENTS (OVERLOAD) (3-REQ'D)	024-19629-000	024-19632-000	<b>024-21055-000</b>
	2	58		FUSE, DUAL [13,14,15FU]	025-17176-000	025-20985-000	025-04650-000
	2	58A		FUSEHOLDER, CRTG.	025-26395-000	025-18285-000	025-18284-000
	10	(59)		MOTOR, BLOWER (25 HP) STD. EFF.	024-25022-000	024-25022-000	024-25028-000
	10	(59)		MOTOR, BLOWER (25 HP) HI - EFF. & VFD	024-25082-000	024-25082-000	---
25HP	2	(60)		STARTER, MTR.(FURNAS) [5M]	<b>024-26016-000</b>	<b>024-27528-000</b>	<b>024-27527-000</b>
	2	(60A)		STARTER ELEMENTS (OVERLOAD) (3-REQ'D)	024-25386-000	024-25046-000	024-19632-000
	2	61		FUSE, DUAL [13,14,15FU]	025-16371-000	025-16411-000	025-20985-000
	2	61A		FUSEHOLDER, CRTG.	025-26395-000	025-18285-000	025-18285-000
	10	(62)		SWITCH, AIR PROVING [APS]	<b>024-27557-000</b>	<b>024-27557-000</b>	<b>024-27557-000</b>
	10	63		CONTROL, DUCT PRESS. SW. (VAV ONLY) [SSP2]	<b>031-01282-000</b>	<b>031-01282-000</b>	<b>031-01282-000</b>
	10	64		SENSOR, DISCHARGE AIR [DAS]	025-22617-000	025-22617-000	025-22617-000
	2	65		SWITCH, AUX. (5M) 30-60A - VAV ONLY	024-25919-000	024-25919-000	024-25919-000
	2	65		SWITCH, AUX. (5M) 75-90A - VAV ONLY	024-25182-000	024-25182-000	024-25182-000
	10	66		TRANSDUCER, DUCT PRESS - VFD ONLY	<b>031-01269-000</b>	<b>031-01269-000</b>	---

**HOT WATER HEAT  
INFO. TO BE FORTHCOMING**

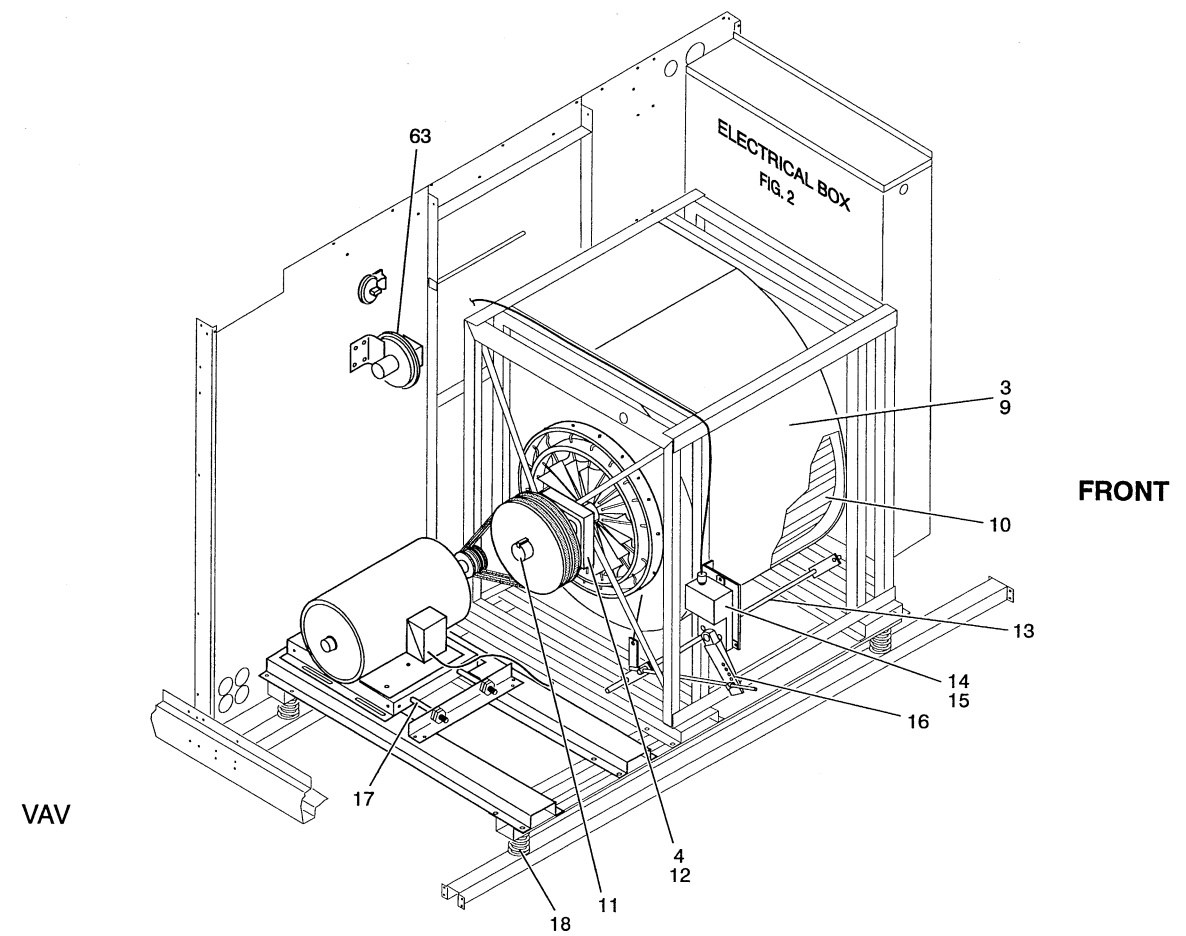
**INDOOR BLOWER DESIGN OPTIONS (8TH MODEL NO. DIGIT)**

OPTION	INCLUDES	OPTION	INCLUDES	OPTION	INCLUDES	AIR VOLUME CONTROL	BLOWER WHEEL TYPE	SPRING MOUNTING
A	1, 4, 6	E	2, 4, 6	I	3, 4, 6	1 = CONSTANT VOLUME	4 = FORWARD CURVE	6 = 1 INCH DEFLECTION
B	1, 5, 6	F	2, 4, 7	J	3, 4, 7	2 = INLET GUIDE VANES	5 = AIR FOIL	7 = 2 INCH DEFLECTION
C	1, 4, 7	G	2, 5, 6	K	3, 5, 6	3 = VARIABLE FREQUENCY DRIVE		
D	1, 5, 7	H	2, 5, 7	L	3, 5, 7			

FIG	ITEM	UNIT STYLE	DESCRIPTION	Y13 30 TON	Y14 40 TON
10	1		BLOWER ASS'Y AF (1)	<b>026-34633-000</b>	<b>026-34635-000</b>
10	2		BEARING, BLOWER - AF (PILLOW BLOCK) (2-REQ'D)	<b>026-36151-000</b>	<b>026-36151-000</b>
10	3		BLOWER ASS'Y AF/IGV (1)	<b>026-34634-000</b>	<b>026-34636-000</b>
10	4		BEARING, BLOWER - AF/IGV (PILLOW BLOCK) (2-REQ'D)	<b>026-36151-000</b>	<b>026-36151-000</b>
10	5		BLOWER ASS'Y FC (1)	<b>026-34629-000</b>	<b>026-34631-000</b>
10	6		WHEEL, BLOWER - FC	<b>026-36143-000</b>	<b>026-36147-000</b>
10	7		SHAFT, BLOWER W/KEYS - FC	<b>001-07463-000</b>	<b>001-07465-000</b>
10	8		BEARING, BLOWER - FC (PILLOW BLOCK) (2-REQ'D)	<b>026-36144-000</b>	<b>026-36148-000</b>
10	9		BLOWER ASS'Y FC/IGV W/JACKSHAFT (1)	<b>026-34630-000</b>	<b>026-34632-000</b>
10	10		WHEEL, BLOWER - FC/IGV	<b>026-36143-000</b>	<b>026-36147-000</b>
10	11		SHAFT, BLOWER W/KEYS - FC/IGV	<b>001-07464-000</b>	<b>001-07466-000</b>
10	12		BEARING, BLOWER - FC/IGV (FLANGE) (2-REQ'D)	<b>026-36145-000</b>	<b>026-36149-000</b>
10	13		JACKSHAFT ASS'Y - FC/IGV	<b>026-36146-000</b>	<b>026-36150-000</b>
10	14		ACTUATOR (BELIMO)	<b>025-32735-000</b>	<b>025-32735-000</b>
10	15		LIMIT, ACTUATOR	<b>025-32736-000</b>	<b>025-32736-000</b>
10	16		CRANKARM, ACTUATOR (ADAPTER KIT)	<b>029-21196-000</b>	<b>029-21196-000</b>
10	17		MOTOR ADJ. SCR. (2-REQ'D) ALL-THREAD	5/8-11 x 8 LG.	5/8-11 x 8 LG.
10	18		SPRING, ISOLATOR (1" DEFLECT) (4-REQ'D)	029-20434-000	029-20434-000
10	18		SPRING, ISOLATOR (2" DEFLECT) (4-REQ'D)	<b>029-21141-000</b>	<b>029-21141-000</b>



**HOT WATER HEAT  
INFO. TO BE FORTHCOMING**



**FIG. 10 – BLOWER ASSEMBLIES**

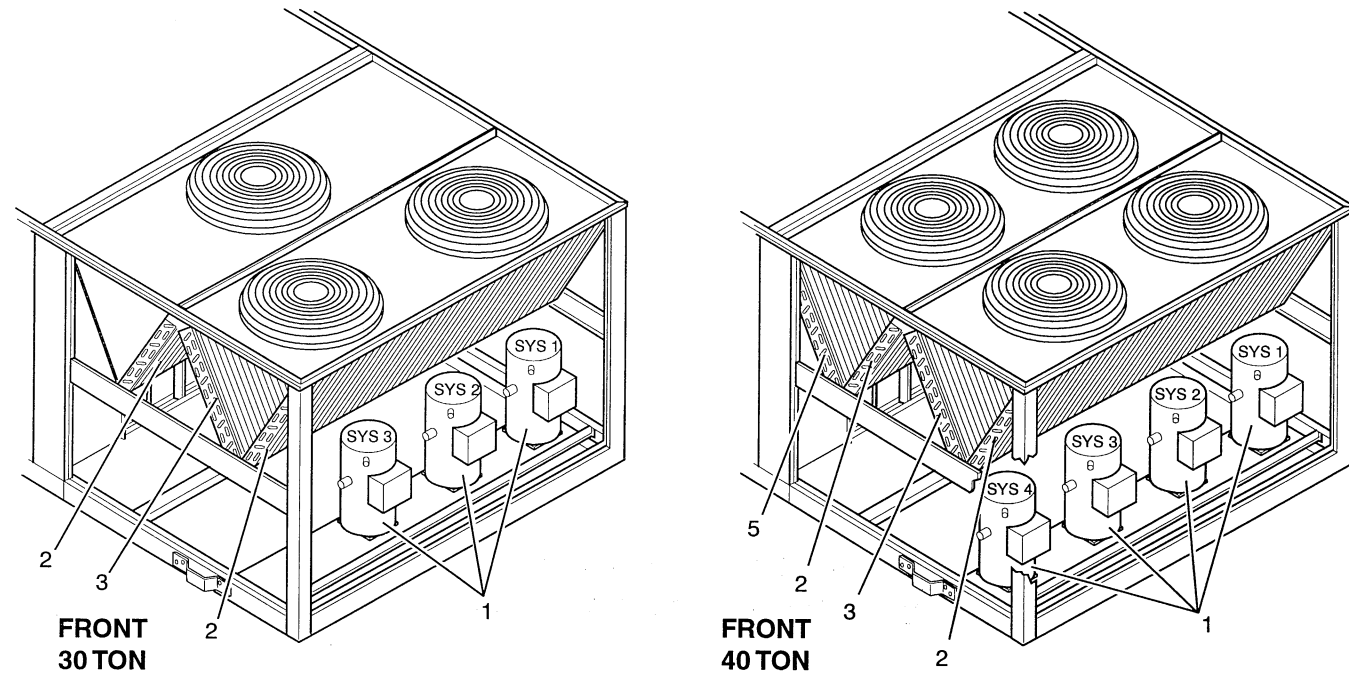


FIG. 8 - CONDENSER COILS

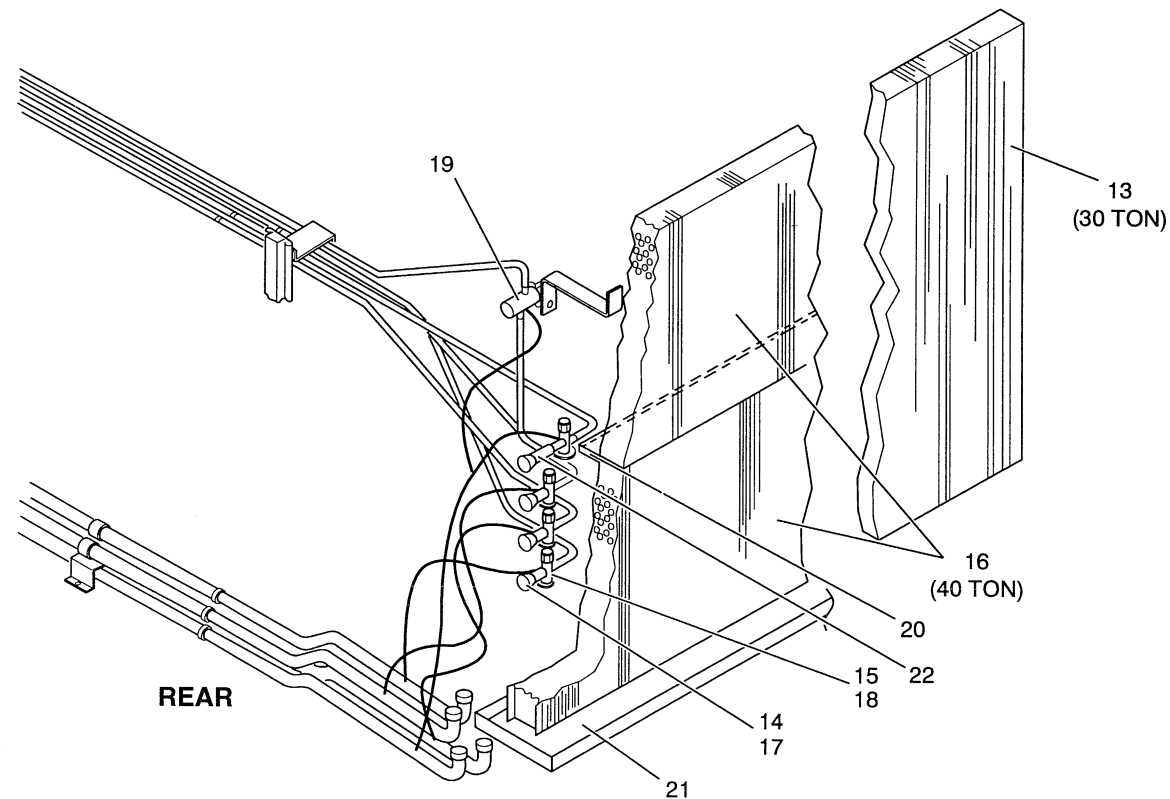


FIG. 9 - EVAPORATOR COIL

REFRIGERATION COMPONENTS & OPTIONS (10TH MODEL NO. DIGIT)

OPTION	INCLUDES	OPTION	INCLUDES	OPTION	INCLUDES	OPTION	INCLUDES
A	1, 3, 5, 7	E	1, 3, 6, 7	I	1, 3, 5, 8	M	1, 3, 6, 8
B	2, 3, 5, 7	F	2, 3, 6, 7	J	2, 3, 5, 8	N	2, 3, 6, 8
C	1, 4, 5, 7	G	1, 4, 6, 7	K	1, 4, 5, 8	O	1, 4, 6, 8
D	2, 4, 5, 7	H	2, 4, 6, 7	L	2, 4, 5, 8	P	2, 4, 6, 8

CONDENSER COIL

1 = STANDARD  
2 = TECHNICOAATED COIL

PIPING

3 = STANDARD  
4 = HOT GAS BYPASS

EVAPORATOR COIL

5 = STANDARD  
6 = HI CAPACITY

HEAD PRESSURE CONTROL

7 = WITH HEAD PRESSURE CONTROL  
(SEE 2LA0470340...)  
8 = W/O HEAD PRESSURE CONTROL

FIG	ITEM	UNIT STYLE	DESCRIPTION	Y13 30 TON	Y14 40 TON
8	1		COMPRESSOR, HERMETIC (SCROLL)	SEE ELEC.	SEE ELEC.
8	2		COIL, COND. (SYS. #1 & #3 W/HDR. & DISTR.)	373-15960-001	373-15960-001
8	2		COIL, COND. COATED (SYS. #1 & #3 W/HDR., DISTR.)	<b>373-15960-801</b>	<b>373-15960-801</b>
*	2A		HEADER, 1-1/8" DIA. (SYS. #1 & #3)	<b>373-15295-050</b>	<b>373-15295-050</b>
*	2B		HEADER, 5/8" DIA. (SYS. #1 & #3)	<b>373-15960-060</b>	<b>373-15960-060</b>
*	2C		DISTRIBUTOR BODY 2-FEED (SYS. #1, #2, #3, #4)	026-25559-000	026-25559-000
8	3		COIL, COND. (SYS. #2 W/HDR. & DISTR.)	<b>373-15295-001</b>	<b>373-15295-001</b>
8	3		COIL, COND. COATED (SYS. #2 W/HDR., DISTR.)	<b>373-15295-801</b>	<b>373-15295-801</b>
*	3A		HEADER, 1-1/8" DIA. (SYS. #2)	<b>373-15295-050</b>	<b>373-15295-050</b>
*	3B		HEADER, 5/8" DIA. (SYS. #2)	<b>373-15295-060</b>	<b>373-15295-060</b>
4			SPACE FOR FUTURE PARTS ADDITIONS		
8	5		COIL, COND. (SYS. #4 W/HDR. & DISTR.)	- - -	<b>373-15295-001</b>
8	5		COIL, COND. COATED (SYS. #4 W/HDR., DISTR.)	- - -	<b>373-15295-801</b>
*	5A		HEADER, 1-1/8" DIA. (SYS. #4)	- - -	<b>373-15295-050</b>
*	5B		HEADER, 5/8" DIA. (SYS. #4)	- - -	<b>373-15295-060</b>
*	(6)		CORE, VALVE	022-02475-000	022-02475-000
*	7		STEM, VALVE 1/4 OD TUBE	022-08017-000	022-08017-000
*	8		INDICATOR, MOISTURE (1-PER SYSTEM)	026-12865-000	026-12865-000
*	9		FILTER, DRIER (1-PER SYSTEM)	026-14777-013	026-14777-013
*	(10)		CONTROL, PRESS. (DISCH. - MANUAL) 1-PER COMPR. [HP1-4]	<b>025-32621-000</b>	<b>025-32621-000</b>
*	(11)		CONTROL, PRESS. (SUCTION) 1-PER COMPRESSOR [LP1-4]	<b>025-32622-000</b>	<b>025-32622-000</b>
*	(12)		CONTROL, PRESSURE (DISCH.) (1-REQ'D) [PS-5]	<b>025-32697-000</b>	<b>025-32697-000</b>
9	13		COIL, EVAP. (30T, 3-ROW) INTERTWINED/STD. (1)	<b>373-17165-003</b>	- - -
9	13		COIL, EVAP. (30T, 4-ROW) INTERTWINED/HI CAPACITY (1)	<b>373-17165-004</b>	- - -
*	13A		ASS'Y, HEADER (SYS. #1) EVAP.	<b>373-15821-050</b>	- - -
*	13B		ASS'Y, HEADER (SYS. #2) EVAP.	<b>373-15821-060</b>	- - -
*	13C		ASS'Y, HEADER (SYS. #3) EVAP.	<b>373-15821-070</b>	- - -
9	14		VALVE, DISTR. (INCL. TUBES) 30 TON (3-ROW) (3)	<b>025-32658-001</b>	- - -
9	14		VALVE, DISTR. (INCL. TUBES) 30 TON (4-ROW) (3)	<b>025-32685-000</b>	- - -
9	15		VALVE, THERMAL EXPANSION - 30 TON (3-ROW)	022-08912-000	- - -
9	15		VALVE, THERMAL EXPANSION - 30 TON (4-ROW)	<b>022-08992-000</b>	- - -
9	16		COIL, EVAP. (40T 4-ROW, 13-FPI) INTERTWINED/STD. (2)	- - -	<b>373-17354-013</b>
9	16		COIL, EVAP. (40T 4-ROW, 16-FPI) INTERTWINED/HI CAPACITY (2)	- - -	<b>373-17354-016</b>
*	16A		ASS'Y, HEADER (SYS. #1) EVAP.	- - -	<b>373-17313-050</b>
*	16B		ASS'Y, HEADER (SYS. #2) EVAP.	- - -	<b>373-17313-060</b>
*	16C		ASS'Y, HEADER (SYS. #3) EVAP.	- - -	<b>373-17313-070</b>
*	16D		ASS'Y, HEADER (SYS. #4) EVAP.	- - -	<b>373-17313-080</b>
9	17		VALVE, DISTR. (INCL. TUBES) 40 TON (3)	- - -	<b>025-32658-002</b>
9	18		VALVE, THERMAL EXPANSION - 40 TON	- - -	022-08912-000
9	19		VALVE, (HOT GAS BY-PASS) 30, 40 TON EVAP. COIL	<b>022-08989-000</b>	<b>022-08989-000</b>
9	20		DRAIN PAN (INTERMEDIATE)	- - -	<b>026-34669-000</b>
9	21		DRAIN PAN (BOTTOM)	<b>026-34667-000</b>	<b>026-34667-000</b>
9	22		TEE ADAPTER - HOT GAS BY-PASS ONLY (3)	<b>022-08985-000</b>	<b>022-08985-000</b>

\* ITEM NOT SHOWN.

(1) INCLUDES HEADERS, DISTRIBUTORS, & TXV'S READILY ADAPTABLE FOR HOT GAS BYPASS.

(2) CONTAINS 2-COILS, MARRIED W/HEADERS. INCLUDES DISTRIBUTORS & TXV'S READILY ADAPTABLE FOR HOT GAS BYPASS.

(3) ON HOT GAS BY-PASS THE NOZZLE IS REMOVED FROM THE DISTRIBUTOR AND PLACED IN THE INLET OF THE TEE ADAPTER.