

	YORK® EQUIPMENT INTEGRATION	
RENEWAL PARTS LIST	NEW RELEASE	Form 450.00-RP2 (407)

YORK®
Equipment Integration
Parts manual

JCI Employees: [Click here](#) to be taken to the JCI Equipment Integration Portal.

IMPORTANT!

READ BEFORE PROCEEDING!

GENERAL SAFETY GUIDELINES

During installation, operation, maintenance or service, individuals may be exposed to certain components or conditions including, but not limited to, refrigerants, oils, materials under pressure, rotating components, and both high and low voltage. Each of these items has the potential, if misused or handled improperly, to cause bodily injury or death. It is the obligation and responsibility of operating/service personnel to identify and recognize these inherent hazards, protect themselves, and proceed safely in completing their tasks. Failure to comply with any of these requirements could result in serious damage to the equipment and the property in which it is situated, as well as severe personal injury or death to themselves and people at the site.

This document is intended for use by owner-authorized operating/service personnel. It is expected that this individual possesses independent training that enables them to perform their assigned tasks properly and

safely. It is essential that, prior to performing any task on this equipment, this individual has read and understood this document and any referenced materials. This individual shall also be familiar with and comply with all applicable governmental standards and regulations pertaining to the task in question.

Every effort has been made to provide representative illustrations of the products shown in this manual. Since items change and many are similar in appearance, illustrations may show a single, representative part. References in the text are then made to reflect the variation due to options and variations.

If no item callout is referenced in the text, the part number represents the complete unit when shown at the top of the list. If shown at the bottom of the list, the part number represents a kit or option available for the product.

WARNING!

HIGH VOLTAGE

Is used in the operation of this equipment.

DEATH OR SERIOUS INJURY

may result if personnel fail to observe safety precautions.

Work on electronic equipment should not be undertaken unless the individual(s) have been trained in the proper maintenance of equipment and is (are) familiar with its potential hazards.

Shut off power supply to the equipment before beginning work and follow lockout procedures. When working inside equipment with power off, take care to discharge every capacitor likely to hold dangerous potential.

Be careful not to contact high voltage connections when installing or operating this equipment.

LOW VOLTAGE

DO NOT be misled by the term "low voltage." Voltages as low as 50 volts may cause death.

PARTS ORDER INFORMATION

While every attempt is made to service the parts shown and listed in this document, JCI makes no claims to the availability and/or timeliness of replacement parts. At JCI's discretion components may be discontinued or replaced with upgraded or improved parts. Due to the continuous improvement process, JCI rejects responsibility for retrofit of field-installed parts which have been improved or redesigned.

To order new or replacement products in North and South America contact:

YORK Parts Distribution Center

9104 Yellow Brick Rd.

P.O. Box 72229

Baltimore, MD 21237-2229

Tel: (800) 932-1701

or

Milwaukee Parts

Tel: 866-376-2793

For refurbished parts or to have a part repaired contact:

JCI Repair Center

9410 Bunsen Parkway, Suite 100A

Louisville, KY 40220

Tel: 502-671-7300

CHANGEABILITY OF THIS DOCUMENT

In complying with JCI's policy for continuous product improvement, the information contained in this document is subject to change without notice. While JCI makes no commitment to update or provide current information automatically to the manual owner, that information, if applicable, can be obtained by contacting the nearest JCI office.

It is the responsibility of operating/service personnel as to the applicability of these documents. If there is any question in the mind of operating/service personnel as to the applicability of these documents, then, prior to working on the equipment, they should verify with the owner whether the equipment has been modified and if current documentation is available.

TABLE OF CONTENTS

Safety Guidelines 2

Parts Order Information 3

Miscellaneous Service and Testing Tools 5

SECTION 1 – EQUIPMENT TRANSLATORS AND INTEGRATION

Figure 1-1. MicroGateway w/ Enclosure and Power Supply 7

Figure 1-2. MicroGateway OptiView Kit..... 11

Figure 1-3. YORK Talk XL and RS232 Translator 13

Figure 1-4. Data Bridge for BACnet 15

Figure 1-5. Gateway for LonWorks..... 17

Figure 1-6. CX-MicroGateway 19

Figure 1-7. LINC Chiller 21

Figure 1-8. eco² Gateway 25

Figure 1-9. Misc Components 26

APPENDIX

LINC Chiller EPROM Cross-Reference 27

Part Number Index 28

Miscellaneous Service and Testing Tools

NAME	DESCRIPTION	OBTAIN FROM
BQT	Verifies BACnet communication	See Note *2
BACnet Configurator	Configures Data Bridge for BACnet	See Note *2
ModScan32	Verifies Modbus communication	Contact: WinTECH (www.win-tech.com)
LonMaker™	Configures Gateway for LONWORKS®	Contact: Echelon Corp. (www.echelon.com/)
MicroGateway Configurator	Configures ISN (original) MicroGateway	See Note *2
IcE	Configures YORK's ISN Programmable Controllers	See Note *2
Facility Manager	Graphical Front-end Software for ISN networks	See Note *1
ISNConneXsys OWS	Graphical Front-end Software for ISNConneXsys (BACnet) networks	Order from YORK® Parts Distribution Center.

NOTES:

*1 - Contact the FSC Center at 1-800-524-1330 for more information.

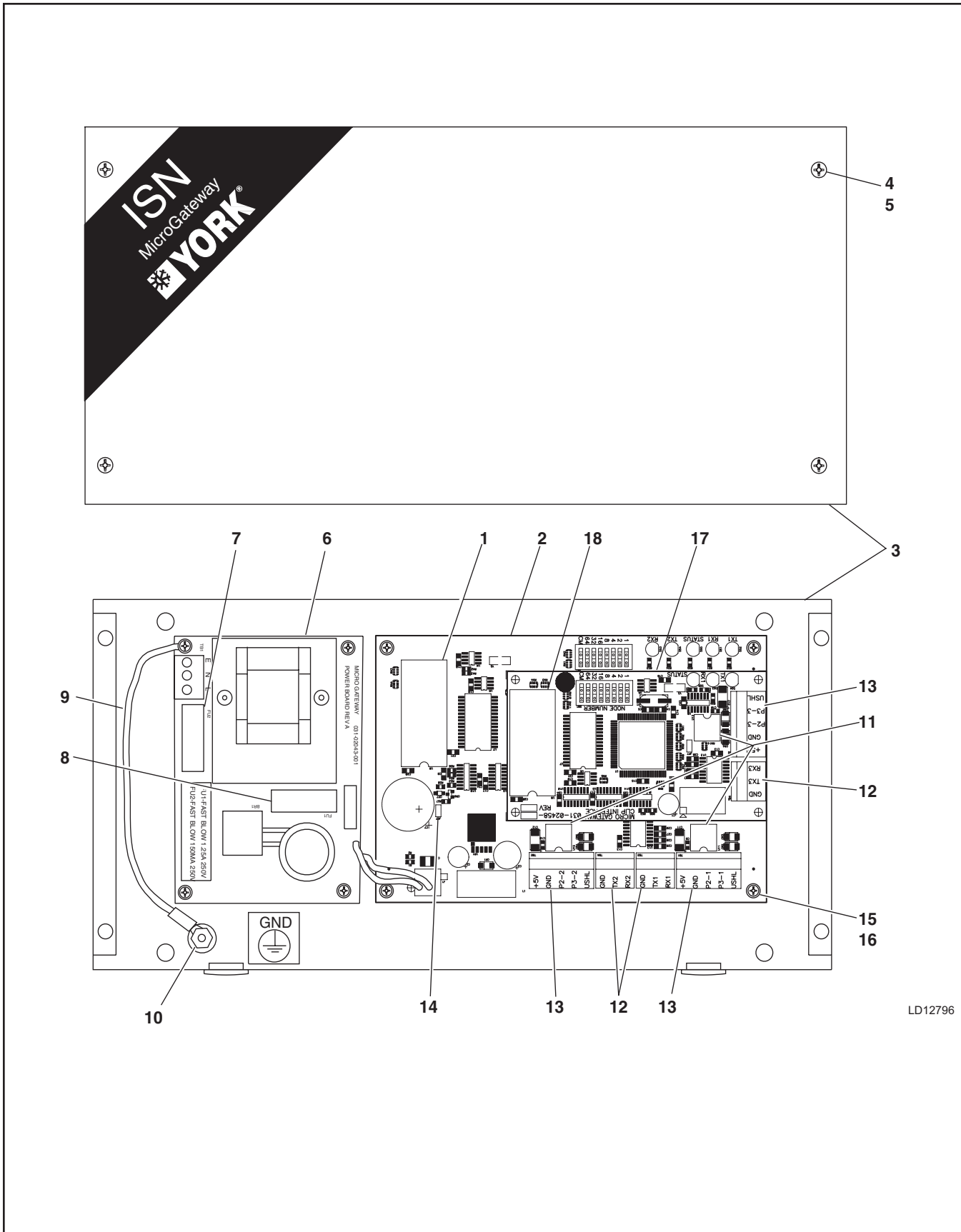
*2 - Go to the JCI YORK® Legacy Controls Site at: <http://intranet.york.com/web0147/>

Figure 1-1. MicroGateway w/ Enclosure and Power Supply

ITEM	QTY.	DESCRIPTION	PART NO.	NOTES
		ISN MicroGateway, 115 VAC (No Quick Start)	371-02592-101	
		ISN MicroGateway, 230 VAC (No Quick Start)	371-02592-201	
		Modbus MicroGateway, 115 VAC	371-02592-102	
		Modbus MicroGateway, 115 VAC w/CLIP	371-02592-112	
		Modbus MicroGateway, 230 VAC	371-02592-202	
		Modbus MicroGateway, 230 VAC w/CLIP	371-02592-212	
		N2 MicroGateway 115 VAC	371-02592-103	
		N2 MicroGateway 115 VAC w/CLIP	371-02592-113	
		N2 MicroGateway 230 VAC	371-02592-203	
		N2 MicroGateway 230 VAC w/CLIP	371-02592-213	
		ASCII MicroGateway, 115 VAC	371-02592-104	
		ASCII MicroGateway, 115 VAC w/CLIP	371-02592-114	
		ASCII MicroGateway, 230 VAC	371-02592-204	
		ASCII MicroGateway, 230 VAC w/CLIP	371-02592-214	
		BACnet MS/TP MicroGateway, 115 VAC	371-02592-105	
		BACnet MS/TP MicroGateway, 115 VAC w/CLIP	371-02592-115	
		BACnet MS/TP MicroGateway, 230 VAC	371-02592-205	
		BACnet MS/TP MicroGateway, 230 VAC w/CLIP	371-02592-215	
		Data Bridge MicroGateway, 115 VAC	371-02592-107	
		Data Bridge MicroGateway, 230 VAC	371-02592-207	
		Includes the following items:		
1	1	EPROM, ISN MicroGateway (No Quick Start)	031-02200-001	A
	1	EPROM, Modbus	031-02200-002	A
	1	EPROM, N2	031-02200-003	A
	1	EPROM, ASCII	031-02200-004	A
	1	EPROM, BACnet MS/TP	031-02200-005	A
	1	EPROM, Data Bridge	031-02200-007	A
2	1	MicroGateway Circuit Board Order EPROMs Separately	031-02039-000	
3	1	Enclosure	NSS	
4	4	Screw, #6-32 x 3/4"	PL	
5	4	Washer, Star Lock	PL	
6	1	Power Board, 115 VAC, Includes Items 5 thru 8	031-02043-001	
	1	Power Board, 230 VAC, Includes Items 5 thru 8	031-02043-002	
7	1	Fuse, 5 x 20 Fast-Blow, 160 mA, 250 VAC	PL	
8	1	Fuse, 5 x 20 Fast-Blow, 1.25 A, 250 VAC	PL	
9	AR	Wire, 16 Gauge	PL	
10	2	Nut, #10	PL	
11	2/3	Driver, RS485 (LTC485CN8)	025-40527-000	
12	2/3	Connector, 3-Pin	PL	
13	2/3	Connector, 5-Pin	PL	

A Verify the correct software revision level.
 AR As Required
 PL Purchase Locally
 NSS Not Sold Separately

Figure 1-1. MicroGateway w/ Enclosure and Power Supply
(Con't)



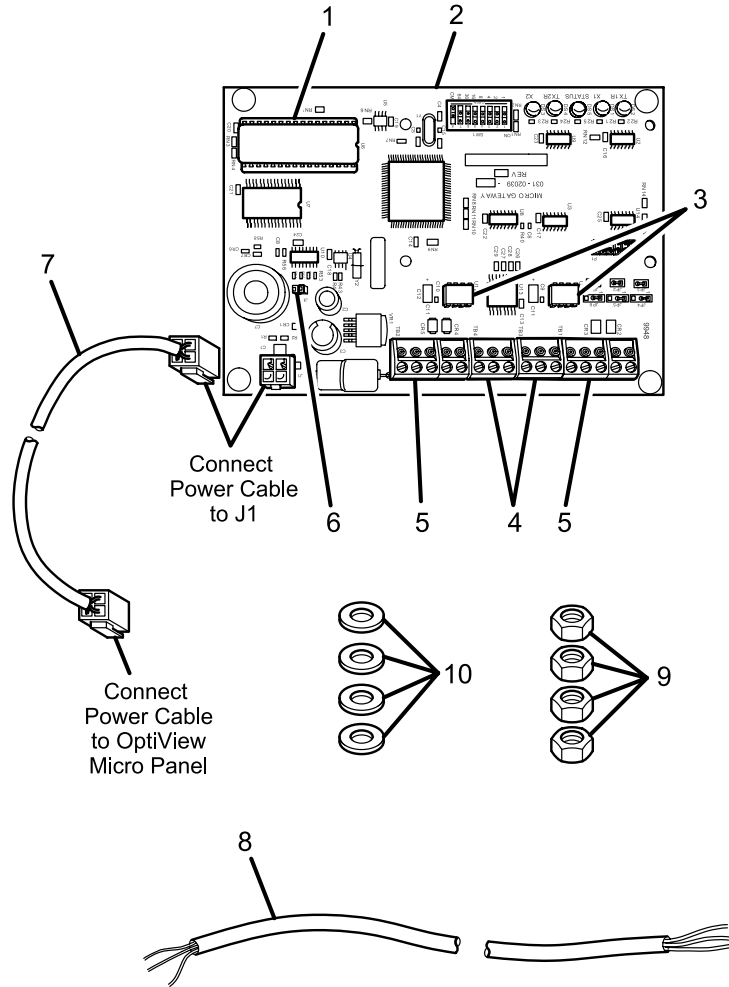
LD12796

Figure 1-1. MicroGateway w/ Enclosure and Power Supply
(Con't)

ITEM	QTY.	DESCRIPTION	PART NO.	NOTES
		ISN MicroGateway, 115 VAC (No Quick Start)	371-02592-101	
		ISN MicroGateway, 230 VAC (No Quick Start)	371-02592-201	
		Modbus MicroGateway, 115 VAC	371-02592-102	
		Modbus MicroGateway, 115 VAC w/CLIP	371-02592-112	
		Modbus MicroGateway, 230 VAC	371-02592-202	
		Modbus MicroGateway, 230 VAC w/CLIP	371-02592-212	
		N2 MicroGateway 115 VAC	371-02592-103	
		N2 MicroGateway 115 VAC w/CLIP	371-02592-113	
		N2 MicroGateway 230 VAC	371-02592-203	
		N2 MicroGateway 230 VAC w/CLIP	371-02592-213	
		ASCII MicroGateway, 115 VAC	371-02592-104	
		ASCII MicroGateway, 115 VAC w/CLIP	371-02592-114	
		ASCII MicroGateway, 230 VAC	371-02592-204	
		ASCII MicroGateway, 230 VAC w/CLIP	371-02592-214	
		BACnet MS/TP MicroGateway, 115 VAC	371-02592-105	
		BACnet MS/TP MicroGateway, 115 VAC w/CLIP	371-02592-115	
		BACnet MS/TP MicroGateway, 230 VAC	371-02592-205	
		BACnet MS/TP MicroGateway, 230 VAC w/CLIP	371-02592-215	
		Data Bridge MicroGateway, 115 VAC	371-02592-107	
		Data Bridge MicroGateway, 230 VAC	371-02592-207	
		Includes the following items:		
14	1	Jumper	PL	
15	4	Screw, #6 x 3/4"	PL	
16	4	Washer, #6 Flat	PL	
17	AR	CLIP Circuit Board Order EPROMs Separately	031-02458-000	
18	AR	EPROM, CLIP	031-02490-001	
<p>A Verify the correct software revision level AR As Required PL Purchase Locally NSS Not Sold Separately</p>				

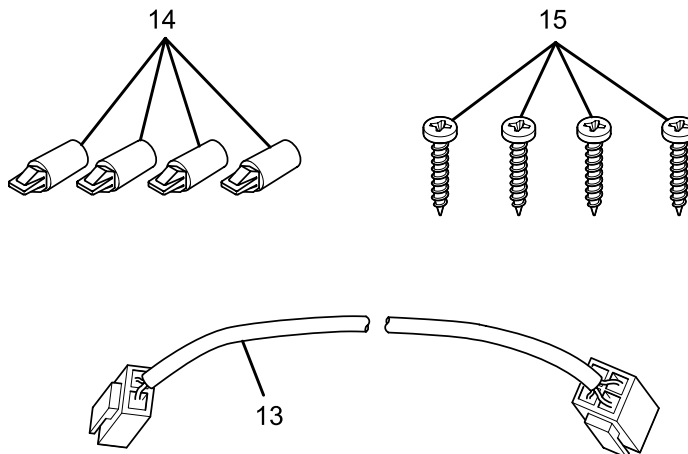
Figure 1-2. MicroGateway OptiView™ Kit

NOTE: For installation inside OptiView™ micro panels.



LD12798

NOTE: Accessories for Latitude Mounting



LD12799

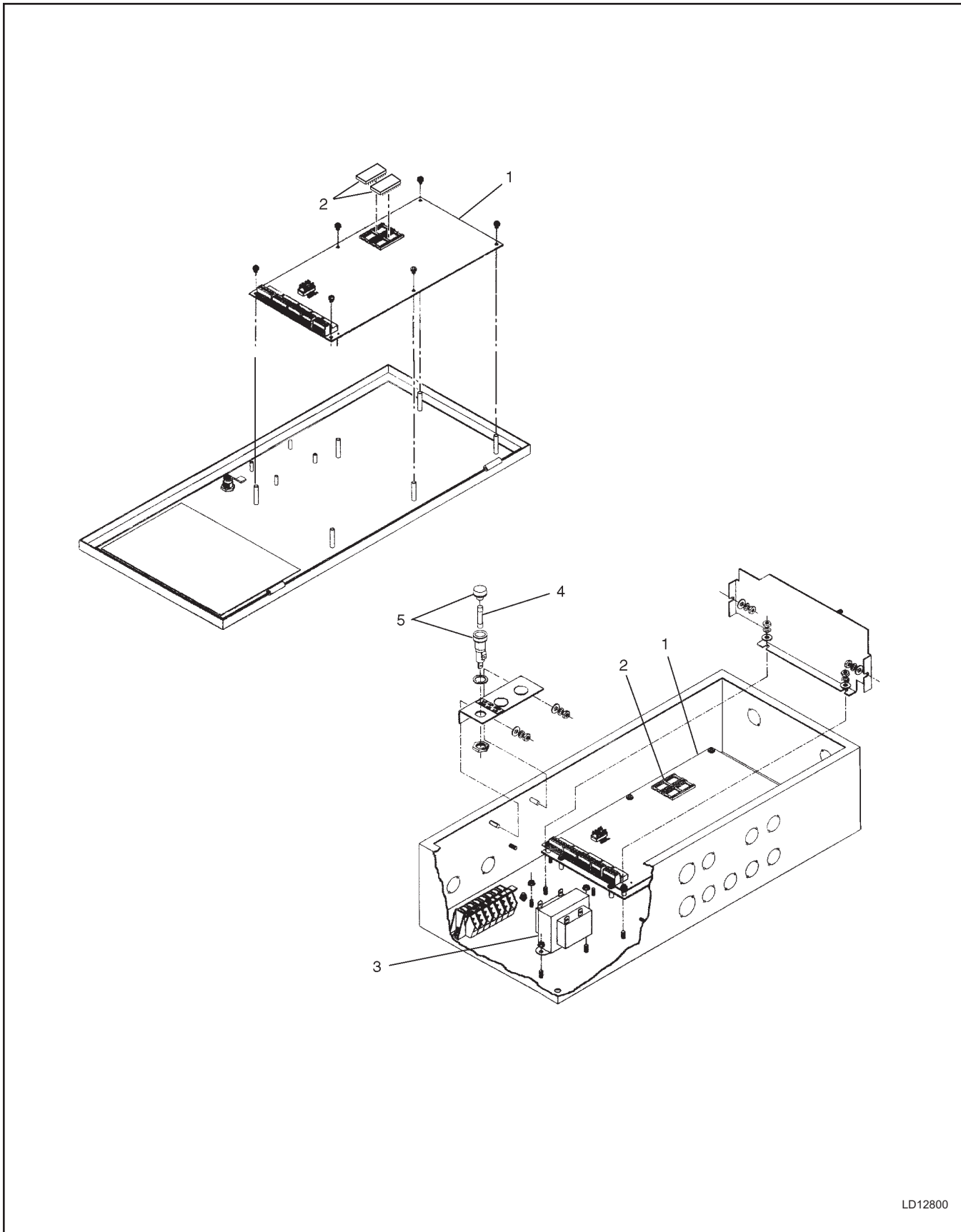
Figure 1-2. MicroGateway OptiView™ Kit
MicroGateway Latitude Kit

Please read notes circled below. The Latitude units require special hardware.

ITEM	QTY.	DESCRIPTION	PART NO.	NOTES
		ISN MicroGateway OptiView™/Latitude Kit (No Quick Start) Modbus MicroGateway OptiView™/Latitude Kit Modbus MicroGateway OptiView™/Latitude Kit w/CLIP N2 MicroGateway OptiView™/Latitude N2 MicroGateway OptiView™/Latitude w/CLIP ASCII MicroGateway OptiView™/Latitude™ Kit ASCII MicroGateway OptiView™/Latitude Kit w/CLIP BACnet MS/TP MicroGateway OptiView™/Latitude Kit BACnet MS/TP MicroGateway OptiView™/Latitude Kit w/CLIP Data Bridge MicroGateway OptiView™/Latitude Kit Includes the following items (1-12)	371-03609-001 371-03609-002 371-03609-012 371-03609-003 371-03609-013 371-03609-004 371-03609-014 371-03609-005 371-03609-015 371-03609-007	
	ALL KITS	All Kits include items 1-12. When installing on a Latitude Unit you must additionally order items 13, 14, & 15.		
1	1	EPROM, ISN MicroGateway (No Quick Start)	031-02200-001	A
	1	EPROM, Modbus	031-02200-002	A
	1	EPROM, N2	031-02200-003	A
	1	EPROM, ASCII	031-02200-004	A
	1	EPROM, BACnet MS/TP	031-02200-005	A
	1	EPROM, Data Bridge	031-02200-007	A
2	1	MicroGateway Circuit Board, Order EPROMs Separately Order EPROMs Separately	031-02039-000	
3	2	Driver, RS485 (LTC485CN8)	025-40527-000	
4	2	Connector, 3-Pin	PL	
5	2	Connector, 5-Pin	PL	
6	1	Jumper	PL	
7	1	Cable, Power	575-30731-452	
8	1	Cable, Communications	575-30731-451	
9	4	Nut, KEPS, #8-32	PL	
10	4	Washer, #8 Nylon	PL	
11	AR	CLIP Circuit Board Order EPROMs Separately	031-02458-000	
12	AR	EPROM, CLIP	031-02490-001z	
13	-	Wire Harness for Latitude Chiller	571-04178-292	LAT
14	4	Expansion Nut (Standoff)	021-14661-000	LAT
15	4	Screw, Tap Thread M4 x 32mm	021-30184-000	LAT

A Verify the correct software revision level
 AR As Required
 PL Purchase Locally
 LAT Required when ordering an OptiView™ Microgateway for a field Installed Latitude Chiller

Figure 1-3. York Talk XL and RS232 Translator



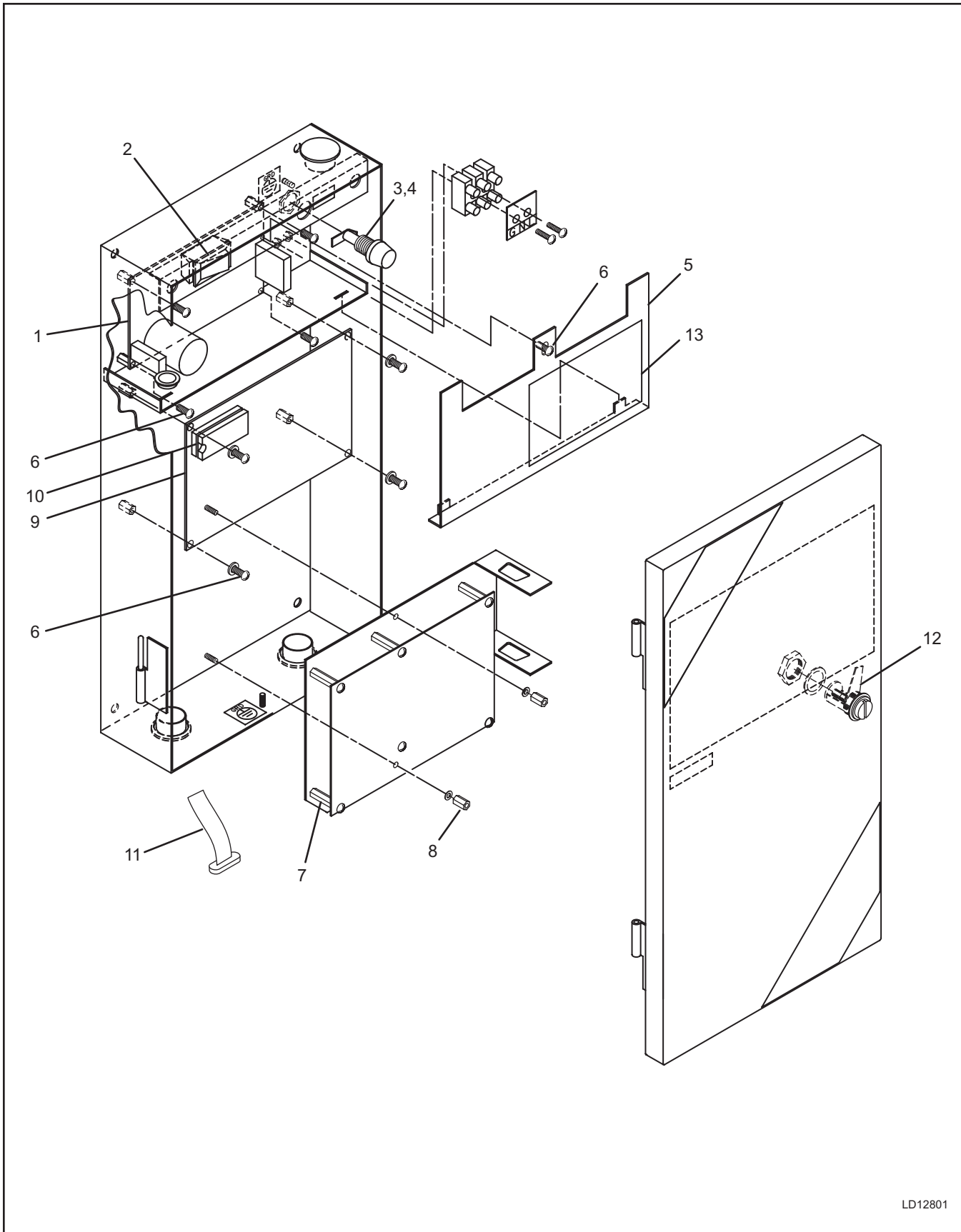
LD12800

Figure 1-3. York Talk XL and RS232 Translator

ITEM	QTY.	DESCRIPTION	PART NO.	NOTES
		York Talk XL, Rev. 76 Software (19.2 kbaud) York Talk XL, Rev. 77 Software (50 kbaud) RS232 Translator, Rev. 76 Software (19.2 kbaud) RS232 Translator, Rev. 77 Software (50 kbaud) Includes the following items	371-02085-000 371-02085-001 371-02083-000 371-02083-001	
1	1/2 1/2	Advanced Processor Card, Rev. 77, 76 (071-01384-xxx) Advanced Processor Card, Rev. 6 (071-01089-xxx)	371-01384-001 371-01089-005	AB AB
2	1 1 2 2 2	EPROM Set, York Talk XL, Rev. 77 EPROM Set, York Talk XL, Rev. 76, Rev. 6 EPROM Set, RS232 Translator, Rev. 77 EPROM Set, RS232 Translator, Rev. 76 EPROM Set, RS232 Translator, Rev. 6	EPR-02085-001 EPR-02085-000 EPR-02083-001 EPR-02083-000 EPR-02083-002	C C C C C
3	1	Transformer	025-19405-000	
4	1	Fuse, 1/2 amp, 250 V Buss	PL	
5	1	Fuse Holder	PL	

A Refer to number on board (shown in parenthesis) for correct identification.
 B The YORK Talk XL uses one (1) APC, the RS232 Translator uses two (2) APCs.
 C EPROMs must be ordered in sets per card.
 PL Purchase Locally

Figure 1-4. Data Bridge for BACnet



LD12801

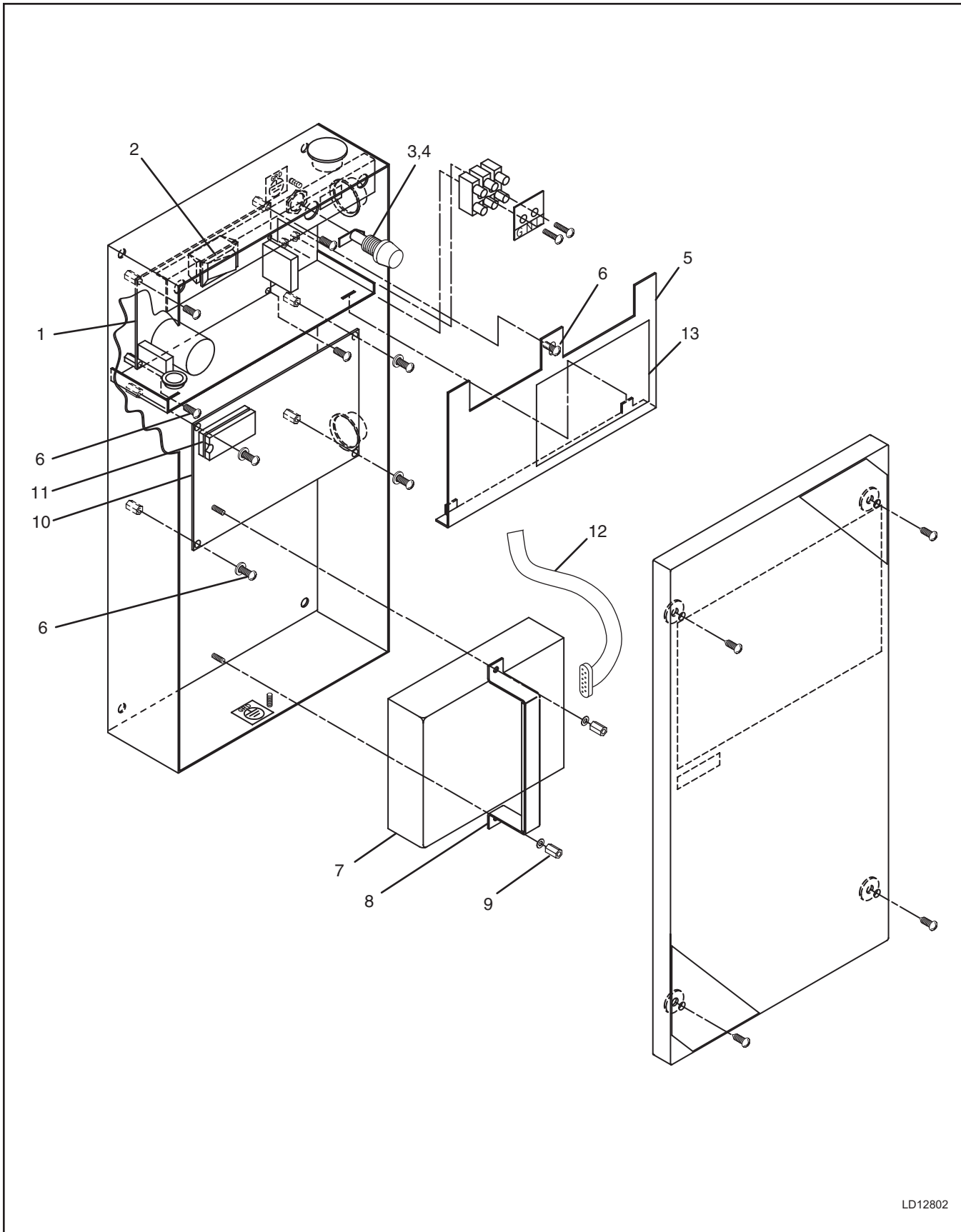
Figure 1-4. Data Bridge for BACnet

ITEM	QTY.	DESCRIPTION	PART NO.	NOTES
		Data Bridge for BACnet Includes the following items	371-03626-101	
1	1	Power Supply	031-02088-000	
2	1	Switch, Lighted Rocker, Red	024-30990-000	
3	1	Fuse Holder	PL	
4	1	Fuse, Time Delay, MDL-1, 1 Amp	PL	
5	1	Cover, Power	071-03626-305	
6	8	Screw, Pan Head, #6-32 x 3/8"	PL	
7	1	Single Board Computer	371-03626-341	
8	2	Fastener, #6-32	PL	
9	1	MicroGateway Circuit Board	031-02039-000	A
10	1	EPROM, Version 51	031-02200-006	A
11	1	Cable Assy., Ribbon, MicroGateway to SBC	571-03626-221	
12	1	Latch Assembly	021-30710-000	
13	1	Decal, Warning, Electrocutation Hazard	035-03908-000	

A *MicroGateway board does not include EPROM*
 PL *Purchase Locally*

NOTE: *For parts information regarding the Data Bridge MicroGateway which resides between the Data Bridge for BACnet and the chiller, refer to the Figures 1 and 2.*

Figure 1-5. Gateway for LONWORKS

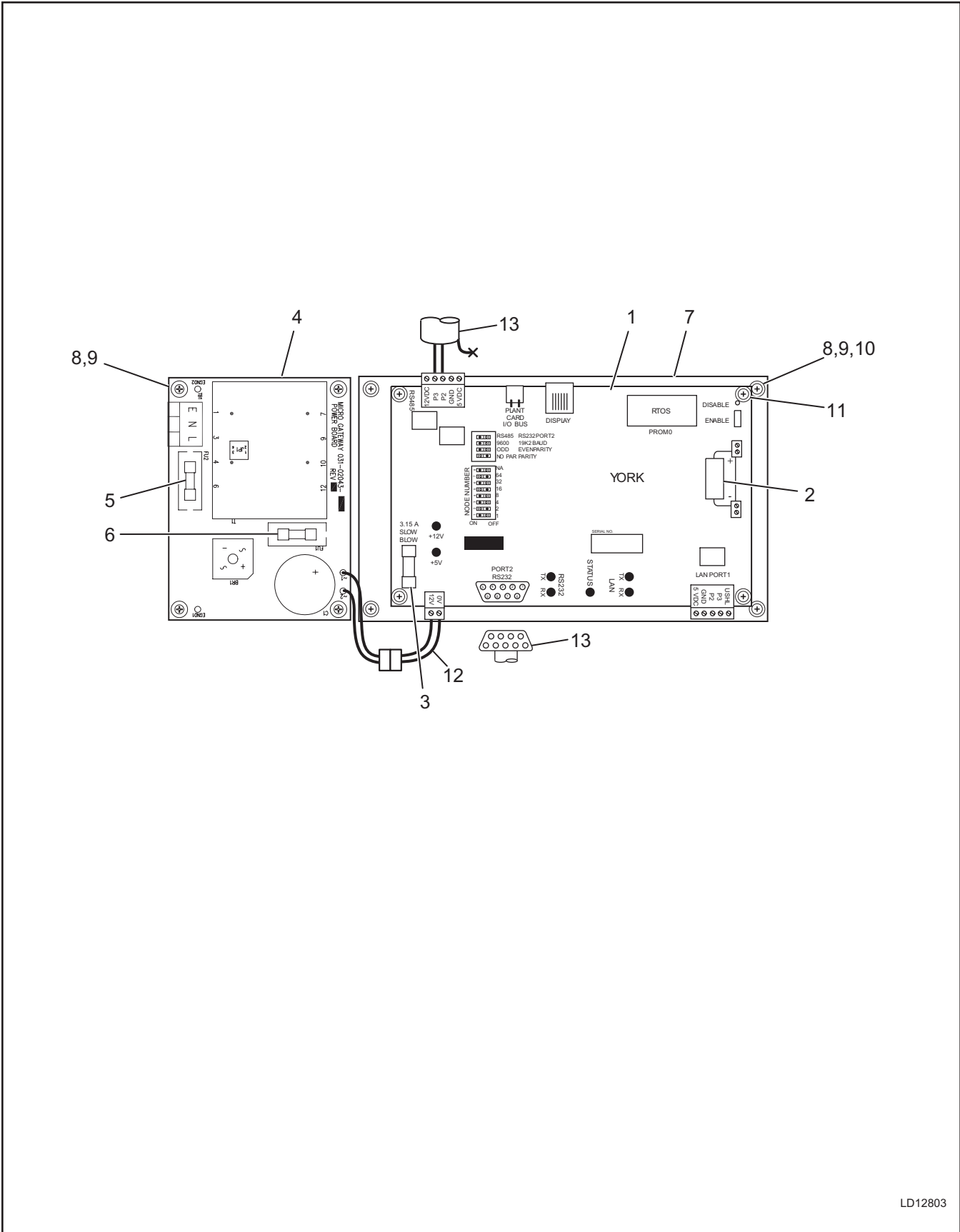


LD12802

Figure 1-5. Gateway for LONWORKS

ITEM	QTY.	DESCRIPTION	PART NO.	NOTES
		Gateway for LONWORKS – OptiView™ Gateway for LONWORKS – Non-OptiView™ Includes the following items	371-03626-201 371-03626-202	
1	1	Power Supply	031-02088-000	
2	1	Switch, Lighted Rocker, Red	024-30990-000	
3	1	Fuse Holder	PL	
4	1	Fuse, Time Delay, MDL-1, 1 Amp	PL	
5	1	Cover, Power	071-03626-305	
6	8	Screw, Pan Head, #6-32 x 3/8"	PL	
7	1	SLTA-10A, OptiView™	031-02090-001	
	1	SLTA-10A, Non-OptiView™	031-02090-002	
8	1	Bracket	071-03626-320	
9	2	Fastener, #6-32	v	
10	1	MicroGateway Circuit Board	031-02039-000	A
11	1	EPROM	031-02200-002	A
12	1	Cable Assy., Ribbon, MicroGateway to SLTA-10	571-03626-222	
13	1	Decal, Warning, Electrocution Hazard	035-03908-000	
<p>A <i>MicroGateway board does NOT include EPROM</i></p> <p>PL <i>Purchase Locally</i></p>				

Figure 1-6. CX-MicroGateway



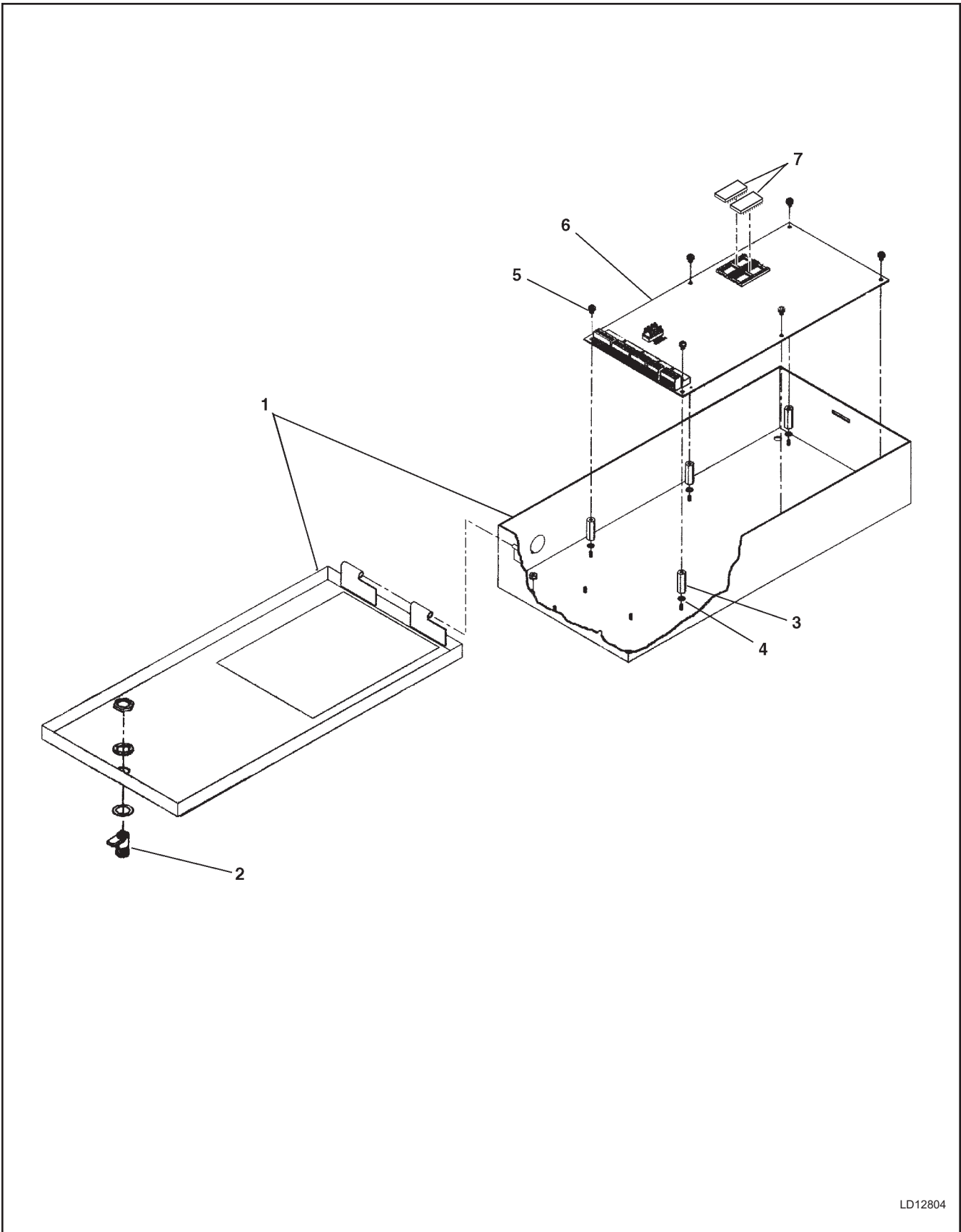
LD12803

Figure 1-6. CX-MicroGateway

ITEM	QTY.	DESCRIPTION	PART NO.	NOTES
		CX-MicroGateway for YCAL w/2050 Board	371-04483-001	A
		CX-MicroGateway for YCAS 1 & 2 Compressor Systems	371-04483-002	A
		CX-MicroGateway for YCAS 3 & 4 Compressor Systems	371-04483-003	A
		CX-MicroGateway for YCUL (DAT)	371-04483-004	A
		CX-MicroGateway for YCRS and YCWS	371-04483-005	A
		CX-MicroGateway for YCAV	371-04483-006	A
		CX-MicroGateway for YD OptiView™ w/ Standard Starter	371-04483-051	B
		CX-MicroGateway for YK OptiView™ w/ Standard and SSS	371-04483-052	B
		CX-MicroGateway for YK OptiView™ w/ VSD	371-04483-053	B
		CX-MicroGateway for YST	371-04483-054	B
		CX-MicroGateway for YT OptiView™ w/ Standard and SSS	371-04483-055	B
		CX-MicroGateway for YT OptiView™ w/ VSD	371-04483-056	B
		CX-MicroGateway for YR and YS OptiView™	371-04483-057	B
		Includes the following items		
1	1	Board, CX-MicroGateway, Includes Items 2 & 3	371-04483-200	C
2	1	Battery, Lithium	025-37640-000	
3	1	Fuse, 3.15 amp	025-37641-000	
4	1	Board, Power Supply, Includes Items 5 & 6	371-02043-001	A only
5	1	Fuse, 5 x 20 Fast-Blow, 160 mA, 250 VAC	PL	A only
6	1	Fuse, 5 x 20 Fast-Blow, 160 mA, 250 VAC	PL	A only
7	1	Plate, Mounting	071-04483-310	
8	8	Standoff	PL	A only
9	8	Screw, Self-tapping, #8 x 1-1/4"	PL	A only
	4	Screw, #8 x 3/8"	PL	B only
10	4	Washer, Internal Lock, #8	PL	B only
11	4	Screw, SEMS, M3 x 6	PL	
12	1	Plug, Power Supply	571-04483-214	A only
	1	Plug, Power Supply	571-04483-212	B only
13	AR	Cable, Communications, Shielded 3-core	PL	A only
	1	Cable, Communications, Shielded 3-core with DB-9	571-04483-211	B only
N.S.	AR	Wire, Ground, 18 gauge, with Ring Terminal	PL	

A Uses York Talk 2 communication between the chiller and CX-MicroGateway
 B Uses York Talk 3 communication between the chiller and CX-MicroGateway
 C CX-MicroGateway replacement boards are not configured. Configurations can be downloaded from <http://www.intranet.york.com/web0147/> and IcE used to load the application.
 PL Purchase Locally
 N.S. Not Shown on the Illustration

Figure 1-7. LINC Chiller

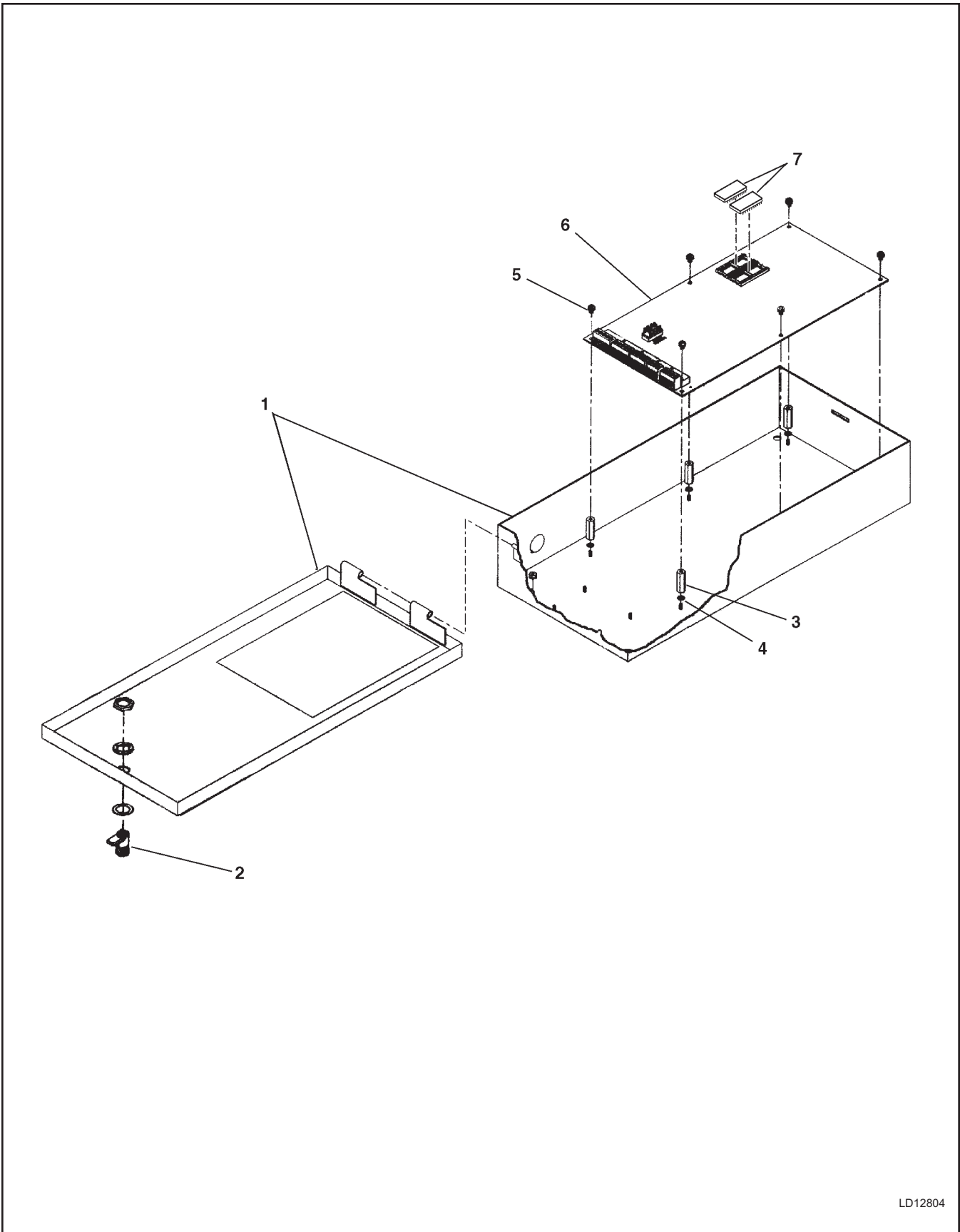


LD12804

Figure 1-7. LINC Chiller

ITEM	QTY.	DESCRIPTION	PART NO.	NOTES
		LINC Chiller Refer to item 7 for top level number shown in parenthesis Includes the following items		
1	1	Enclosure w/Lid	371-01183-361	
2	1	Fastener Assy., Adjustable Pawl	021-17558-000	
3	4	Spacer, #6 x 32"	PL	
4	6	Washer, Internal Lock, #6	PL	
5	6	Screw/Washer Assy., #6-32 x 3/8"	PL	
6	1	Advanced Processor Card Rev. 76, 77 (031-01384-xxx)	031-01384-004	A
	1	Advanced Processor Card Rev. 6 (031-01089-xxx) Order EPROMs Separately	031-01089-005	A
7		EPROM Set Rev. 77 for YT Centrifugal (371-02086-400) EPROM Set Rev. 76 for YT Centrifugal (371-02086-417) EPROM Set Rev. 6 for YT Centrifugal (031-01585-001)	EPR-02086-400 EPR-02086-417 EPR-01585-001	B B B
		EPROM Set Rev. 77 for YK Super Chiller (371-02086-401) EPROM Set Rev. 76 for YK Super Chiller (371-02086-418) EPROM Set Rev. 6 for YK Super Chiller (031-01585-002)	EPR-02086-401 EPR-02086-418 EPR-01585-002	B B B
		EPROM Set Rev. 77 for YS Screw Chiller (371-02086-402) EPROM Set Rev. 76 for YS Screw Chiller (371-02086-419) EPROM Set Rev. 6 for YS Screw Chiller (031-01585-003)	EPR-02086-402 EPR-02086-419 EPR-01585-003	B B B
		EPROM Set Rev. 77 for LS Screw Chiller (371-02086-403) EPROM Set Rev. 76 for LS Screw Chiller (371-02086-420) EPROM Set Rev. 6 for LS Screw Chiller (031-01585-004)	EPR-02086-403 EPR-02086-420 EPR-01585-004	B B B
		EPROM Set Rev. 77 for A1, A3 Air-Cooled (371-02086-404) EPROM Set Rev. 76 for A1, A3 Air-Cooled (371-02086-421) EPROM Set Rev. 6 for A1, A3 Air-Cooled (031-01585-005)	EPR-02086-404 EPR-02086-421 EPR-01585-005	B B B
		EPROM Set Rev. 77 for B1, B3 Recip (371-02086-405) EPROM Set Rev. 76 for B1, B3 Recip (371-02086-422) EPROM Set Rev. 6 for B1, B3 Recip (031-01585-006)	EPR-02086-405 EPR-02086-422 EPR-01585-006	B B B
		EPROM Set Rev. 77 for C1, C3 Recip (371-02086-406) EPROM Set Rev. 76 for C1, C3 Recip (371-02086-423)	EPR-02086-406 EPR-02086-423	B B
		EPROM Set Rev. 77 for YP Paraflow (371-02086-407) EPROM Set Rev. 76 for YP Paraflow (371-02086-424) EPROM Set Rev. 6 for YP Paraflow (031-01332-002)	EPR-02086-407 EPR-02086-424 EPR-01585-008	B B B
A		Refer to number on board (shown in parenthesis) for correct identification. EPROMS are not included with replacement boards.		
B		EPROMs must be ordered in sets. Refer to the Appendix for a cross-reference for EPROMs. Note that, if EPROMs were changed from original order, EPROM part number will not match the number on the enclosure shown in parenthesis.		
PL		Purchase Locally		
NSS		NOT Sold Separately		

Figure 1-7. LINC Chiller (Continued)



LD12804

Figure 1-7. LINC Chiller (Continued)

ITEM	QTY.	DESCRIPTION	PART NO.	NOTES
		LINC Chiller (continued) Refer to item 7 for top level number shown in parenthesis Includes the following items		
7		EPROM Set Rev. 77 for YI Paraflow (371-02086-408) EPROM Set Rev. 76 for YI Paraflow (371-02086-425) EPROM Set Rev. 6 for YI Paraflow (031-01417-001) EPROM Set Rev. 77 for RT Rooftop (371-02086-409) EPROM Set Rev. 76 for RT Rooftop (371-02086-426) EPROM Set Rev. 6 for RT Rooftop (371-01458-000) EPROM Set Rev. 77 for HX Heat Pump (371-02086-410) EPROM Set Rev. 76 for HX Heat Pump (371-02086-427) EPROM Set Rev. 77 for H1, H3 Heat Pump (371-02086-411) EPROM Set Rev. 76 for H1, H3 Heat Pump (371-02086-428) EPROM Set Rev. 77 for H1 Heat Pump (371-02086-412) EPROM Set Rev. 76 for H1 Heat Pump (371-02086-429) EPROM Set Rev. 77 for B1 Basildon Recip (371-02086-413) EPROM Set Rev. 76 for B1 Basildon Recip (371-02086-430) EPROM Set Rev. 77 for A1 Air-Cooled (371-02086-414) EPROM Set Rev. 76 for A1 Air-Cooled (371-02086-431) EPROM Set Rev. 77 for C1 US Recip (371-02086-415) EPROM Set Rev. 76 for C1 US Recip (371-02086-432) EPROM Set Rev. 77 for YG GED Chiller (371-02086-416) EPROM Set Rev. 76 for YG GED Chiller (371-02086-433)	EPR-02086-408 EPR-02086-425 EPR-01585-009 EPR-02086-409 EPR-02086-426 EPR-01585-010 EPR-02086-410 EPR-02086-427 EPR-02086-411 EPR-02086-428 EPR-02086-412 EPR-02086-429 EPR-02086-413 EPR-02086-430 EPR-02086-414 EPR-02086-431 EPR-02086-415 EPR-02086-432 EPR-02086-416 EPR-02086-433	B B B B B B B B B B B B B B B B

B EPROMs must be ordered in sets. Refer to the Appendix for a cross-reference for EPROMs. Note that, if EPROMs were changed from original order, EPROM part number will not match the number on the enclosure shown in parenthesis.

PL Purchase Locally

NSS Not Sold Separately

Figure 1-8. eco² Gateway

ITEM	QTY.	DESCRIPTION	PART NO.	NOTES
		eco ² Gateway Includes the following items	371-04132-000	
1	1	Power Supply Board, Auto-Switching	031-02443-000	
2	1	Switch, Lighted Rocker, Red	024-30990-000	
3	1	Fuse Holder	PL	
4	1	Fuse, Time Delay, MDL-1, 1 Amp	PL	
5	1	Block, Terminal, 3 Pole	025-38103-000	
6	1	Cover, Power	071-03626-305	
7	3	Screw/Washer, SEMS, M3 x 16 mm	021-31135-000	
8	4	Screw/Washer, SEMS, M3 x 6 mm	021-31136-000	
9	1	DIN Rail	071-04128-000	
10	2	Nut, KEPS, M5	021-31138-000	
11	1	Universal LINC232 UCS Assy.	371-03785-002	
12	1	Processor Module, Includes the following 3 items:	371-03636-000	
NS	1	Battery, Lithium	025-37640-000	
NS	1	Fuse, 3.15 mA	025-37641-000	
NS	AR	Cable, I/O, 39 in. (1 m)	371-03657-000	
13	1	Harness, Control	571-04154-212	
14	1	Harness, Power	571-04154-211	
15	1	Latch Assy., Door	021-17558-000	
16	1	Decal, The ISN Advantage	035-18673-000	
17	1	Decal, eco ² Gateway	035-18684-000	
18	1	Decal, Warning, Electrocution Hazard	035-03908-000	

PL Purchase Locally

Figure 1-9. Misc. Components

ITEM	QTY.	DESCRIPTION	PART NO.	NOTES
1		CX-Router	371-04475-000	
2		CX-Repeater	371-04476-000	
3		Keypad and Display Module, Carribbean Blue	371-03640-000	NLA
		Keypad and Display Module, Gray, Includes 371-03658-000	371-04491-000	A
		Keypad and Display Module, Gray, Includes both of Item 4	371-04489-000	B
4		Cable, RJ-11 Connectors, 10 ft. (2.9 m)	371-03658-000	NS
		Cable, RJ-11 and RJ-45 Connectors, 10 ft. (2.9 m)	371-04509-000	NS
5		Termination Module for ISN network	031-01488-000	NS
6		Termination Module for ISNConneXsys network	031-02526-000	NS
7		CX OWS - ConneXsys workstation, basic (Windows XP, 2000)	031-02511-000	NS, RTR

NLA No Longer Available - Replace with 371-04489-000
A Do not use with CX-TC or expansion modules
B Use with ISN and ISNConneXsys products
NS Not Shown
RTR This software is required to set up a CX Router

LINC CHILLER EPROM CROSS-REFERENCE

Description	Top Level No.	Software Rev.	Board No.	EPROM Set	EPROM 0	EPROM 1
YT Centrifugal Linc Chiller	371-02086-400	7.7	031-01384-004	EPR-02086-400	371-02086-400	031-01694-001
YT Centrifugal Linc Chiller	371-02086-417	7.6	031-01384-004	EPR-02086-417	371-02086-417	031-01697-001
YT Centrifugal Linc Chiller	031-01585-001	6	031-01089-005	EPR-01585-001	031-01585-001	
YK Super Linc Chiller	371-02086-401	7.7	031-01384-004	EPR-02086-401	371-02086-401	031-01694-001
YK Super Linc Chiller	371-02086-418	7.6	031-01384-004	EPR-02086-418	371-02086-418	031-01697-001
YK Super Linc Chiller	031-01585-002	6	031-01089-005	EPR-01585-002	031-01585-002	
YS Screw Linc Chiller	371-02086-402	7.7	031-01384-004	EPR-02086-402	371-02086-402	031-01694-001
YS Screw Linc Chiller	371-02086-419	7.6	031-01384-004	EPR-02086-419	371-02086-419	031-01697-001
YS Screw Linc Chiller	031-01585-003	6	031-01089-005	EPR-01585-003	031-01585-003	
LS Screw Linc Chiller	371-02086-403	7.7	031-01384-004	EPR-02086-403	371-02086-403	031-01694-001
LS Screw Linc Chiller	371-02086-420	7.6	031-01384-004	EPR-02086-420	371-02086-420	031-01697-001
LS Screw Linc Chiller	031-01585-004	6	031-01089-005	EPR-01585-004	031-01585-004	
A1,A3 Air Cooled Linc Chiller	371-02086-404	7.7	031-01384-004	EPR-02086-404	371-02086-404	031-01694-001
A1,A3 Air Cooled Linc Chiller	371-02086-421	7.6	031-01384-004	EPR-02086-421	371-02086-421	031-01697-001
A1,A3 Air Cooled Linc Chiller	031-01585-005	6	031-01089-005	EPR-01585-005	031-01585-005	
B1,B3 Recip Linc Chiller	371-02086-405	7.7	031-01384-004	EPR-02086-405	371-02086-405	031-01694-001
B1,B3 Recip Linc Chiller	371-02086-422	7.6	031-01384-004	EPR-02086-422	371-02086-422	031-01697-001
B1,B3 Recip Linc Chiller	031-01585-006	6	031-01089-005	EPR-01585-006	031-01585-006	
C1,C3 Recip Linc Chiller	371-02086-406	7.7	031-01384-004	EPR-02086-406	371-02086-406	031-01694-001
C1,C3 Recip Linc Chiller	371-02086-423	7.6	031-01384-004	EPR-02086-423	371-02086-423	031-01697-001
YP Paraflow Linc Chiller	371-02086-407	7.7	031-01384-004	EPR-02086-407	371-02086-407	031-01694-001
YP Paraflow Linc Chiller	371-02086-424	7.6	031-01384-004	EPR-02086-424	371-02086-424	031-01697-001
YP Paraflow Linc Chiller	031-01332-002	6	031-01089-005	EPR-01585-008	031-01332-002	
YI Isoflow Linc Chiller	371-02086-408	7.7	031-01384-004	EPR-02086-408	371-02086-408	031-01694-001
YI Isoflow Linc Chiller	371-02086-425	7.6	031-01384-004	EPR-02086-425	371-02086-425	031-01697-001
YI Isoflow Linc Chiller	031-01417-001	6	031-01089-005	EPR-01585-009	031-01417-001	
RT Rooftop Linc Chiller	371-02086-409	7.7	031-01384-004	EPR-02086-409	371-02086-409	031-01694-001
RT Rooftop Linc Chiller	371-02086-426	7.6	031-01384-004	EPR-02086-426	371-02086-426	031-01697-001
RT Rooftop Linc Chiller	371-01458-000	6	031-01089-005	EPR-01585-010	371-01458-000	
HX Heat Pump Linc Chiller	371-02086-410	7.7	031-01384-004	EPR-02086-410	371-02086-410	031-01694-001
HX Heat Pump Linc Chiller	371-02086-427	7.6	031-01384-004	EPR-02086-427	371-02086-427	031-01697-001
H1,H3 Heat Pump Linc Chiller	371-02086-411	7.7	031-01384-004	EPR-02086-411	371-02086-411	031-01694-001
H1,H3 Heat Pump Linc Chiller	371-02086-428	7.6	031-01384-004	EPR-02086-428	371-02086-428	031-01697-001
Hi Heat Pump Linc Chiller	371-02086-412	7.7	031-01384-004	EPR-02086-412	371-02086-412	031-01694-001
Hi Heat Pump Linc Chiller	371-02086-429	7.6	031-01384-004	EPR-02086-429	371-02086-429	031-01697-001
B1 Basildon Recip Linc Chiller	371-02086-413	7.7	031-01384-004	EPR-02086-413	371-02086-413	031-01694-001
B1 Basildon Recip Linc Chiller	371-02086-430	7.6	031-01384-004	EPR-02086-430	371-02086-430	031-01697-001
A1 Air Cooled Linc Chiller	371-02086-414	7.7	031-01384-004	EPR-02086-414	371-02086-414	031-01694-001
A1 Air Cooled Linc Chiller	371-02086-431	7.6	031-01384-004	EPR-02086-431	371-02086-431	031-01697-001
C1 US Recip Linc Chiller	371-02086-415	7.7	031-01384-004	EPR-02086-415	371-02086-415	031-01694-001
C1 US Recip Linc Chiller	371-02086-432	7.6	031-01384-004	EPR-02086-432	371-02086-432	031-01697-001
YG GED Linc Chiller	371-02086-416	7.7	031-01384-004	EPR-02086-416	371-02086-416	031-01694-001
YG GED Linc Chiller	371-02086-433	7.6	031-01384-004	EPR-02086-433	371-02086-433	031-01697-001

NOTE: EPROMs cannot be ordered individually. They must be ordered in sets. This cross-reference is intended as a guide to assure that proper replacement EPROMs are ordered.

NOTE: The Top Level No. is the number stamped on the ID plate on the outside of the enclosure. The Board No. is written on the board. Please note that EPROMs are not included with replacement boards.

PART NUMBER INDEX

Part No.	Page
021-17558-000	21,25
021-30710-000	15
021-31135-000	25
021-31136-000	25
021-31138-000	25
024-30990-000	15,17,25
025-19405-000	13
025-37640-000	19,25
025-37641-000	19,25
025-38103-000	25
025-40527-000	7,11
031-01089-005	21
031-01384-004	21
031-01488-000	26
031-02039-000	7,11,15,17
031-02043-001	7
031-02043-002	7
031-02088-000	15,17
031-02090-001	17
031-02090-002	17
031-02200-001	7,11
031-02200-002	7,11,17
031-02200-003	7,11
031-02200-004	7,11
031-02200-005	7,11
031-02200-006	15
031-02200-007	7,11
031-02443-000	25
031-02458-000	9,11
031-02490-001	9,11
031-02511-000	26
031-02526-000	26
035-03908-000	15,17,25
035-18673-000	25
035-18684-000	25
071-03626-305	15,17,25
071-03626-320	17
071-04128-000	25
071-04483-310	19
371-01089-005	13
371-01183-361	21

Part No.	Page
371-01384-001	13
371-02043-001	19
371-02592-101	7,9
371-02592-102	7,9
371-02592-103	7,9
371-02592-104	7,9
371-02592-105	7,9
371-02592-107	7,9
371-02592-112	7,9
371-02592-113	7,9
371-02592-114	7,9
371-02592-115	7,9
371-02592-201	7,9
371-02592-202	7,9
371-02592-203	7,9
371-02592-204	7,9
371-02592-205	7,9
371-02592-207	7,9
371-02592-212	7,9
371-02592-213	7,9
371-02592-214	7,9
371-02592-215	7,9
371-03609-001	11
371-03609-002	11
371-03609-003	11
371-03609-004	11
371-03609-005	11
371-03609-007	11
371-03609-012	11
371-03609-013	11
371-03609-014	11
371-03609-015	11
371-03626-101	15
371-03626-201	17
371-03626-202	17
371-03626-341	15
371-03636-000	25
371-03657-000	25
371-03785-002	25
371-04132-000	25
371-04483-001	19

PART NUMBER INDEX (CON'T)

Part No.	Page
371-04483-002	19
371-04483-003	19
371-04483-004	19
371-04483-005	19
371-04483-006	19
371-04483-051	19
371-04483-052	19
371-04483-053	19
371-04483-054	19
371-04483-055	19
371-04483-056	19
371-04483-057	19
371-04483-200	19
371-04475-000	26
371-04476-000	26
371-03640-000	26
371-04491-000	26
371-04489-000	26
371-03658-000	26
371-04509-000	26
571-03626-221	15
571-03626-222	17
571-04154-211	25
571-04154-212	25
571-04483-211	19
571-04483-212	19
571-04483-214	19
575-30731-451	11
575-30731-452	11
EPR-01585-001	21
EPR-01585-002	21
EPR-01585-003	21
EPR-01585-004	21
EPR-01585-005	21
EPR-01585-006	21
EPR-01585-008	21
EPR-01585-009	23
EPR-01585-010	23
EPR-02083-000	13
EPR-02083-001	13
EPR-02083-002	13

Part No.	Page
EPR-02085-000	13
EPR-02085-001	13
EPR-02086-400	21
EPR-02086-401	21
EPR-02086-402	21
EPR-02086-403	21
EPR-02086-404	21
EPR-02086-405	21
EPR-02086-406	21
EPR-02086-407	21
EPR-02086-408	23
EPR-02086-409	23
EPR-02086-410	23
EPR-02086-411	23
EPR-02086-412	23
EPR-02086-413	23
EPR-02086-414	23
EPR-02086-415	23
EPR-02086-416	23
EPR-02086-417	21
EPR-02086-418	21
EPR-02086-419	21
EPR-02086-420	21
EPR-02086-421	21
EPR-02086-422	21
EPR-02086-423	21
EPR-02086-424	21
EPR-02086-425	23
EPR-02086-426	23
EPR-02086-427	23
EPR-02086-428	23
EPR-02086-429	23
EPR-02086-430	23
EPR-02086-431	23
EPR-02086-432	23
EPR-02086-433	23

NOTES

NOTES



P.O. Box 1592, York, Pennsylvania USA 17405-1592
Tele. 800-861-1001 website: www.york.com
Copyright © by Johnson Controls 2007
Form 450.00-RP2 (407)
Supersedes: Nothing

Unit 1, Red Shute Hill, Hermitage, Newbury, Berks RG18 9QL United Kingdom
Tele: +44 (0)1635 202200 e-mail: controls.sales@uk.york.com
Subject to change without notice. Printed in USA
ALL RIGHTS RESERVED