

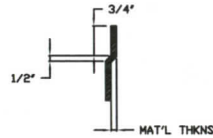
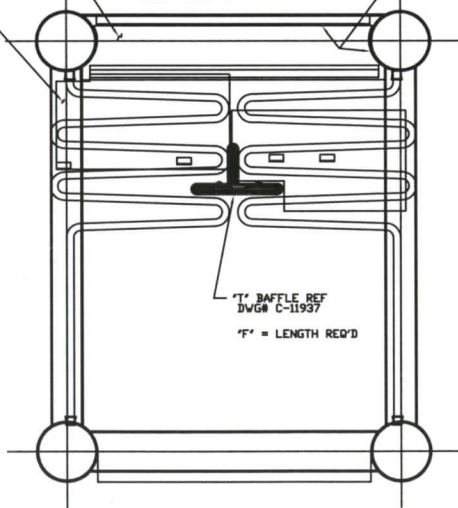
DETAIL 'A'

HAND BEND CORNERS  
OUT FOR 1st BAFFLE  
(BOTH ENDS)

UPPER ANTI-BYPASS BAFFLE  
SEE DETAIL 'A'

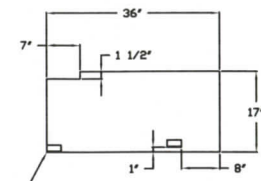
TACK WELD TO SUPPORT  
FRAME AND DOME (TYP)

FIRST BAFFLE - SEE DETAIL 'B'  
(2) REQ'D



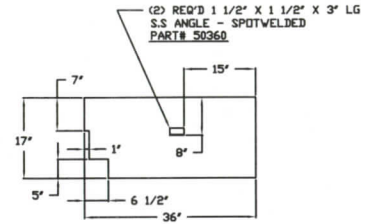
END VIEW

OF 3' X 59 3/4' LG S.S. STRIP  
16GA-304



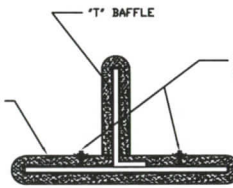
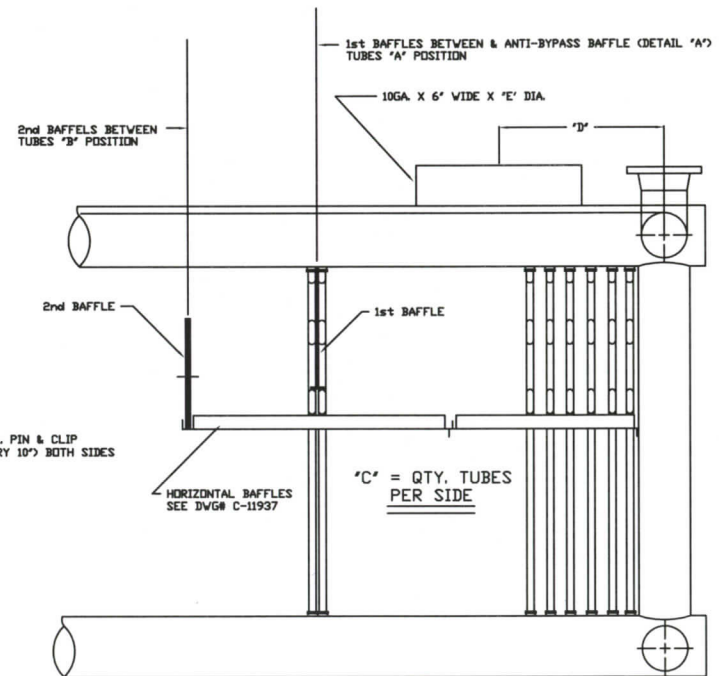
DETAIL 'B' - 1'ST VERT BAFFLE  
MAT'L - STAINLESS STEEL  
16GA-304

(4) REQ'D 1 1/2' X 1 1/2' X 3' LG  
S.S. ANGLE - SPOTWELDED  
PART# 50358



DETAIL 'C' - 2'ND BAFFLE

MAT'L - STAINLESS STEEL  
16GA-304

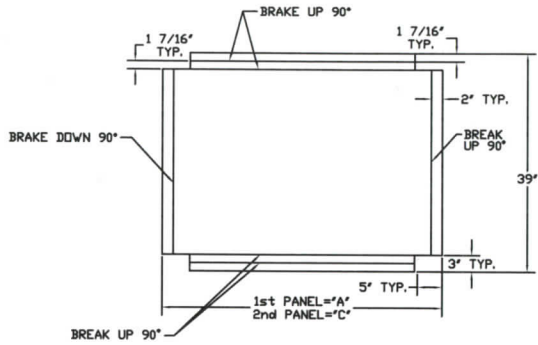


END VIEW

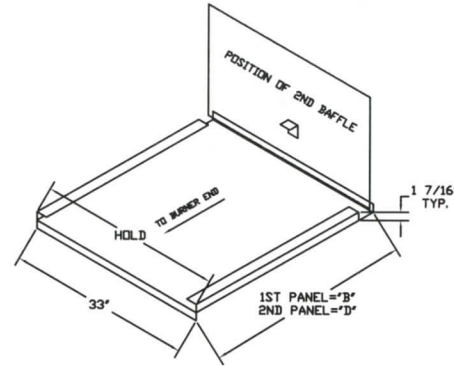
'T' BAFFLE  
AS PLACED ON BOILER

MODEL	'A'	'B'	'C' QTY	'D'	'E'	'F'
RW-850	18 & 19	37 & 38	60	26 5/8"	20"	96"
RW-1050	19 & 20	40 & 41	68	26 5/8"	20"	108 1/2"
RW-1260	21 & 22	47 & 48	82	28 9/16"	22"	131 5/8"
RW-1500	25 & 26	56 & 57	96	28 6/16"	22"	153 1/4"
RW-1700	29 & 30	64 & 65	110	29 9/16"	24"	176"
RW-1900	32 & 33	72 & 73	124	30 9/76"	26"	198"
RW-2100	36 & 37	80 & 81	138	31 9/16"	28"	220 3/4"

REVISION #10		APPROVED BY		BRYAN STEAM	
DESIGNED	DATE	INITIAL	DATE	783 North Chili Avenue Peru, IN 46970	
REVISED BY				RW-SERIES	
				BAFFLE & FLUE LOCATION	
DRW. NO.	INTD	SOLE	SEEN	DRW. NO.	
CG	8/2/01	NONE	FS	C-11938	

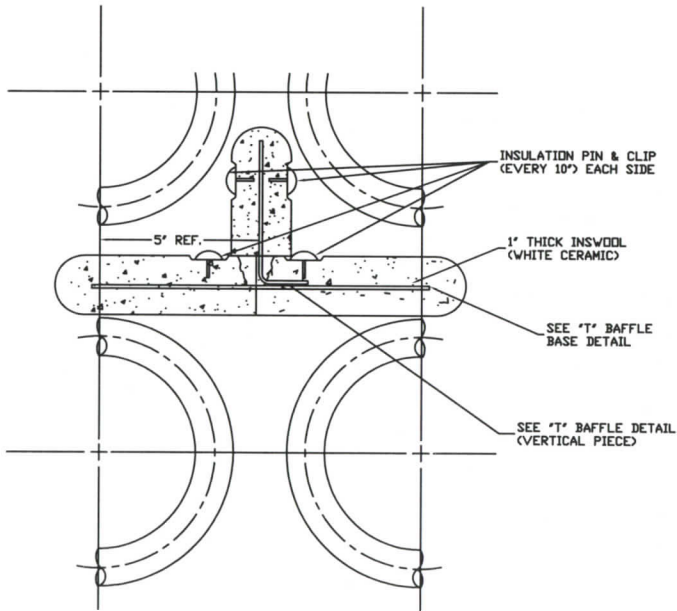


HORIZONTAL VIEW

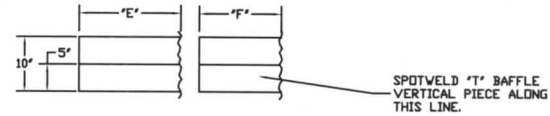


"T" BAFFLE		HORIZONTAL BAFFLE		"RW"-SERIES INSULATION "T"BAFFLE							
SIZE	P/N #	SIZE	P/N #	MODEL	2100	1900	1700	1500	1260	1050	850
35 5/8"	50340	19 5/16"		LENGTH REQ'D	220 3/4'	198'	176'	153 1/4'	131 5/8'	108 1/2'	96'
54 1/4"	50342	35 1/2"	50300	"E"	4-55 3/16'	102"	96"	96"	96"	2-54 1/4'	96"
57 1/4"	50344	40 1/4"	50302	"F"		96"	80"	57 1/4'	35 5/8'		
80"	50346	42 1/2"	50304	"G"	4-55 3/16'	102"	96"	96"	96"	2-54 1/4'	96"
96"	50348	46 3/4"	50306	"H"		96"	80"	57 1/4'	35 5/8'		
102"	50350	51 1/2"	50308								
		64 3/8"									
		64 1/2"	50312								

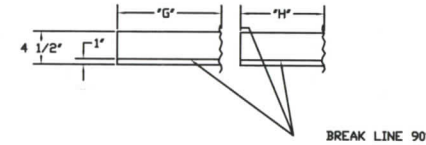
MODEL	"A" DIM.	"B" DIM.	"C" DIM.	"D" DIM.
RW 2100	68 3/8"	64 3/8"	68 3/8"	64 3/8"
1900	55 1/2"	51 1/2"	68 3/8"	64 3/8"
1700	55 1/2"	51 1/2"	55 1/2"	51 1/2"
1500	50 3/4"	46 3/4"	46 1/2"	42 1/2"
1260	44 1/4"	40 1/4"	39 1/2"	35 1/2"
1050	68 1/2"	64 1/2"		
850	23 5/16"	19 5/16"	44 1/4"	40 1/4"



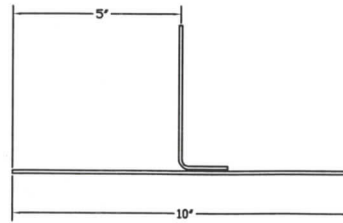
END VIEW  
"T" BAFFLE IN POSITION



"T" BAFFLE BASE DETAIL



"T" BAFFLE VERTICAL DETAIL (VERTICAL PIECE)



END VIEW  
"T" BAFFLE ASSEMBLY

MATERIAL: 16GA STAINLESS

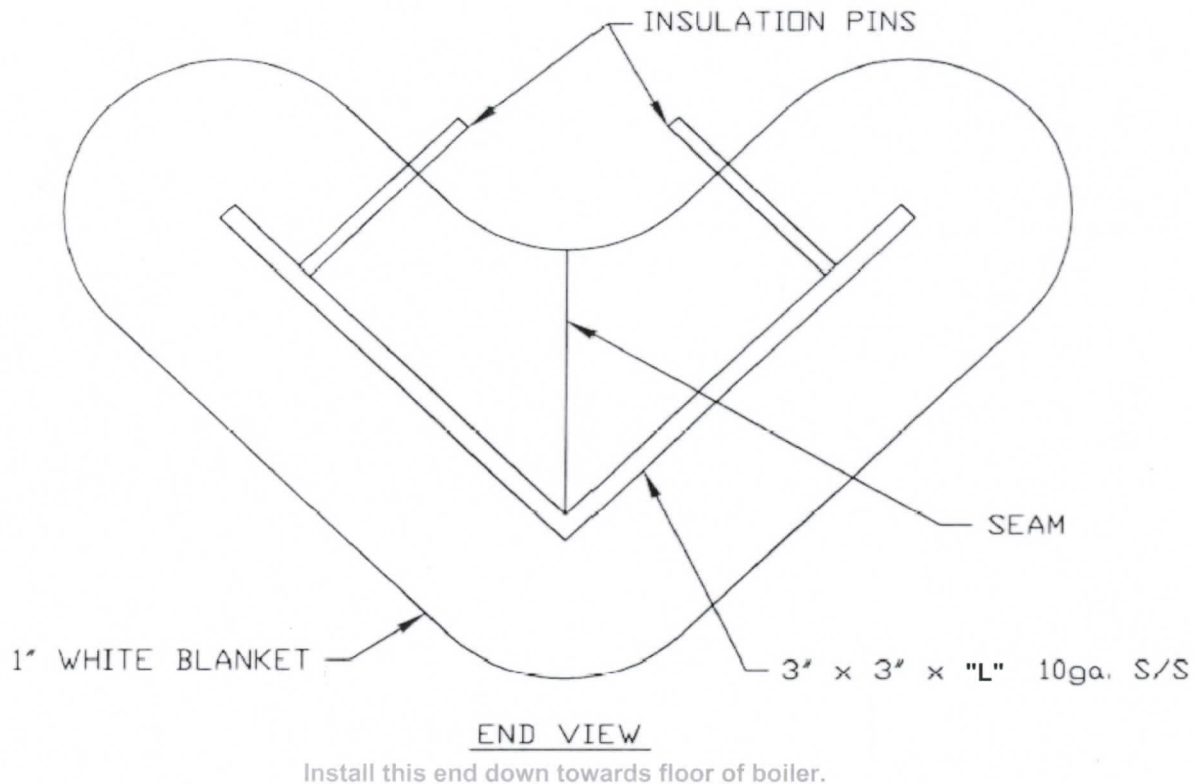
REVISION #14				BRYAN STEAM	
APPROVED BY	DATE	783 North Chili Avenue Peru, IN 46970			
DESIGNED BY	DATE	RW-SERIES BOILERS			
REVISED BY	DATE	HORIZONTAL & "T" BAFFLES			
		(WATER & STEAM)			
DRAWN BY	DATE	SCALE	SHEET	NO.	NO.
JMM	9/18/01	NONE	FS		C11937

## RW Series Field Replacement of Center Baffle

RW Series Model	Center Baffles				
	Standard "T"	Replacement "V"			
	Length	Length "L"	Qty.	Length "L"	Qty.
850	96	32	3		
1050	108.5	36	2	36.5	1
1260	131.625	43.875	3		
1500	153.25	38.3125	4		
1700	176	44	4		
1900	198	49.5	4		
2100	220.75	44	4	44.75	1

# of Tubes to be Removed  
On One Side of Boiler Only

Qty.  
21  
23  
28  
25  
28  
32  
28



### Fabrication Notes:

- 1 Allow ceramic blanket insulation to extend beyond angle by 1/2" at each end.

### Installation Notes:

- 1 Remove the necessary number of tubes as indicated above to facilitate installation of the new baffles. This only needs to be done from one side of the boiler.
- 2 Remove the existing damaged "T" baffle. This may require pulling and cutting out in several pieces. Removal of additional tubes may be required.
- 3 Baffle to be installed with "V" pointing towards the floor.
- 4 Baffles to be slide in one at a time. Last baffle to be installed will require holding in place and then having three or four tubes installed to hold in position.