

BALDOR® • ***RELIANCE***

Product Information Packet

EM581004L-2340

1000HP, 1792RPM, 3PH, 60HZ, 5810, TEFC, F1

Part Detail							
Revision:	H	Status:	PRD/A	Change #:		Proprietary:	No
Type:	AC	Elec. Spec:	A58WG3890	CD Diagram:	416820-004	Mfg Plant:	
Mech. Spec:		Layout:	616151-161	Poles:	04	Created Date:	02-14-2014
Base:		Eff. Date:	05-10-2017	Leads:	6#1 4824-6-P		

Specs			
Catalog Number:	EM581004L-2340		
Enclosure:	TEFC		
Frame:	5810		
Frame Material:	Iron		
Output @ Frequency:	1000.000 HP @ 60 HZ		
Synchronous Speed @ Frequency:	1800 RPM @ 60 HZ		
Voltage @ Frequency:	4000.0 V @ 60 HZ		
	2300.0 V @ 60 HZ		
Agency Approvals:	CCSA US		
Bearing Grease Type:	Polyrex EM (-20F +300F)		
Current @ Voltage:	129.000 A @ 4000.0 V		
	224.000 A @ 2300.0 V		
Design Code:	-		
Duty Rating:	CONT		
Electrically Isolated Bearing:	Electrically Isolated Bearings		
Feedback Device:	NO FEEDBACK		
Heater Indicator:	HEATER W/EXT 120/240 VOLT CONN		
Insulation Class:	F		

Inverter Code:	Not Inverter		
KVA Code:	G		
Motor Lead Quantity/Wire Size:	6 @ 1 AWG		
Motor Lead Termination:	Flying Leads		
Motor Type:	A58280M		
Mounting Arrangement:	F1		
Power Factor:	86		
Product Family:	General Purpose		
Pulley End Bearing Type:	Ball		
Shaft Ground Indicator:	No Shaft Grounding		
Shaft Rotation:	Reversible		
Speed Code:	Single Speed		
Motor Standards:	NEMA		
Starting Method:	Direct on line		
Thermal Device - Bearing:	None		
Thermal Device - Winding:	RTD Only		
Vibration Sensor Indicator:	No Vibration Sensor		

Nameplate NP3131									
ENERGY EFFICIENT			SERIAL NO.						
CATALOG NO.	EM581004L-2340			SPEC NO.	KGPEM581004L-2340				
HP	1000	RPM	1792	FRAME	5810	HZ	60	SERVICE FACTOR	1.15
VOLTS	2300/4000		F.L. AMPS	224/129	PHASE	3	TYPE	ENCL.	TEFC
F.L.EFF.	96.1	F.L.P.F.	86	MOTOR WEIGHT	1		INSUL.CLASS	F	
DESIGN	-	NEMA CODE	G	MAX AMBIENT	40		DUTY	CONT	
	115	C RISE/RES	AT	HP	1150	AMPS	257/148		
D.E. BRG.	120BC03J30X			O.D.E. BRG.	120BC02J30X				
WDG. THERMAL	100 OHM		QTY.	6					
LUBE	POLYREX EM								
VOLTS	120/240	AMPS	4.08/2.0	WATTS	490/490		QTY	2	
CERTIFICATE OF COMP NO.	LR52580								
	NEMA NOM EFF = 95.8%								

Parts List		
Part Number	Description	Quantity
SA276848	SA KGPEM581004L-2340	1.000 EA
RA263406	RA KGPEM581004L-2340	1.000 EA
606800016D	RTD LAC	7.000 EA
069306003B	CABLE TIE 14 T&B L14509C	9.000 EA
482413004Y	#4 SLEEVING (GREEN) PER FT	12.000 FT
424731025AA	HEATER LAC	2.000 EA
419512012SG	LABELS, HEAT SHRINK SET	1.000 EA
034692001AB	HCSPP 1/8" PLATED	2.000 EA
034692001AB	HCSPP 1/8" PLATED	2.000 EA
419512012RC	Lead Markers H1, H2, H3 & ZH4.	1.000 EA
616144042R	INNER CAP BE INSUL ENGLISH	1.000 EA
032018004BK	HHCS 5/16-18X1/2 PLATED	4.000 EA
035051024AA	W-24 LOCKWASHER	1.000 EA
035050024AA	AN 24 LOCKNUT	1.000 EA
616144044R	INNER CAP FE	1.000 EA
034017013AB	LCKW 5/16 STD. PLATED	8.000 EA
616145006X	THERM.BARR.B/ECAP	1.000 EA
T-0346-24	HALF KEY BALANCE 004600044AK	1.000 EA
415915007D	GASKET	1.000 EA
036150030NA	SKHD SSCR;STAT;BT-G508	4.000 EA
034691008AB	1 1/2 PIPE PLUG- BIN STOCK	2.000 EA
034690002AB	"unbulked" PPLG 1/4" PLTD.	4.000 EA
034690004AB	PPLG 1/2" PLATED	4.000 EA
807453031A	BRACKET BE	1.000 EA

Parts List (continued)		
Part Number	Description	Quantity
032018034DK	1/2-13 X 4.25 HHCS	4.000 EA
035000001AB	ALFTG CAT.NO.1627-B PLTD	1.000 EA
035000001AB	ALFTG CAT.NO.1627-B PLTD	1.000 EA
034690004AB	PPLG 1/2" PLATED	2.000 EA
034690004AB	PPLG 1/2" PLATED	2.000 EA
032018008AK	HHCS 1/4-20X1 PLATED	4.000 EA
710607002A	THRM BARER,BRKT	1.000 EA
034530051CB	3/8 X 6.38 P NIPPLE 52CB	1.000 EA
034630002AJ	PP CPLG ODE	1.000 EA
034630003AJ	PP CPLG DE GRS DR	1.000 EA
034017016AB	LCKW 1/2" PLATED	4.000 EA
034630002AJ	PP CPLG ODE	1.000 EA
034630003AJ	PP CPLG DE GRS DR	1.000 EA
412043012C	PLUG - 210	2.000 EA
032130024HB	HSHCS 1-8X3" PLATED	5.000 EA
032130024HB	HSHCS 1-8X3" PLATED	5.000 EA
034530076BB	1/4 X 9.5 PIPE NIPPLES	1.000 EA
035000001F	RELIEF FTG. G/DRN	1.000 EA
035000001F	RELIEF FTG. G/DRN	1.000 EA
034017012AB	LCKW 1/4 STD. PLATED	4.000 EA
415045002W	SLGR V-RING 4.53-4.92	1.000 EA
MP1011A01	4 MIL X 12FT X 100 FT POLYETHYLENE	0.100 RL
034600002AB	BUSH,DE BRKT	1.000 EA
034600002AB	BUSH,DE BRKT	1.000 EA

Product Information Packet: EM581004L-2340 - 1000HP,1792RPM,3PH,60HZ,5810,TEFC,F1

415916013L	T/BLK S/HTR LAC	2.000 EA
803077012B	AIR DEFL B/E BRKT W/VIB PROV	1.000 EA
032018008CK	HHCS 3/8-16X1L PLATED	4.000 EA
034000012AB	WSHR 1/4 STD. PLATED	4.000 EA
415915007E	GASKET	1.000 EA
415915007A	GASKET, LAC	1.000 EA
041009000FD	T-LUG(ALTERNATE -7D)	6.000 EA
041009038K	TERM LUG- WESCO K3/0-PS-L	6.000 EA
001767000CC	N/P	1.000 EA
000692000SC	N/P	5.000 EA
807452033A	BRACKET INS. ENGLISH	1.000 EA
032018034CK	3/8-16 X 4.25 HHCS	4.000 EA
807461018X	FAN COVER LOW NOISE INCH HARDWARE	1.000 EA
034530063CB	PP NIPP ODE GRS DR	1.000 EA
034530087BB	PP NIP ODE GRS FL	1.000 EA
034017014AB	LCKW 3/8 STD. PLATED	4.000 EA
034000016AB	WSHR .531ID 1.062OD .095	3.000 EA
417526017A	BRG SPACER CONV. 6324 TO NU324	1.000 EA
032375004HB	SLRHMS 8-32X1/2 PLATED	2.000 EA
033050001F	IBOLT	2.000 EA
034017028AC	1.25 STD LK WASHER	2.000 EA
482413004Y	#4 SLEEVING (GREEN) PER FT	30.000 FT
482415000A	GREASE (MOBIL POLYREX EM)	1.461 LB
034186032GA	1/2 SQ X 4.0 KEY	1.000 EA
034017014AB	LCKW 3/8 STD. PLATED	3.000 EA
049843019E	PLTE NNN 049843049WCA	1.000 EA

Product Information Packet: EM581004L-2340 - 1000HP,1792RPM,3PH,60HZ,5810,TEFC,F1

065774015A	TBRD 180-280	1.000 EA
075458000AF	CONDUIT BOX	1.000 EA
415917004A	N/P	1.000 EA
482413003Y	#3 SLEEVING (GREEN)	3.000 FT
032018006AK	HHCS 1/4-20X3/4L PLATED	4.000 EA
PK4110A11	SHAFT BLOCKING	1.000 EA
PK5006A10	WOOD BASE SHIPPING BASE G5012	1.000 EA
034530022HB	1-1/2 X 2.75 PPNIP	1.000 EA
049843019G	PLTE 320 049843048WCA	1.000 EA
071421043G	C/BOX WDG RTD	1.000 EA
032375005HB	RHMS 8-32X5/8L PLATED	4.000 EA
032018007CK	HHCS 3/8-16X7/8L PLATED	4.000 EA
034530032HB	PP NIPP WRTD	1.000 EA
403938056A	GASK, LAC	1.000 EA
403938055A	GASK, TBOX MTG, LAC	2.000 EA
032018010DK	HHCS 1/2-13X1-1/4 PLATED	4.000 EA
041009003F	TERMINAL LUG	4.000 EA
032018014CK	HHCS 3/8-16X1-3/4L	3.000 EA
705547083R	FAN, LAC	1.000 EA
403938027E	GASK, LAC	1.000 EA
041009003D	T & B LUG (A116)	18.000 EA
803076026A	SPACER TERM. BOX, ENGLISH	1.000 EA
032018016DK	HHCS 1/2-13X2L PLTD.	4.000 EA
412043012A	PLUG	2.000 EA
004793040A	BUTT SPLICE SPHTR	2.000 EA
419512012SG	LABELS, HEAT SHRINK SET	1.000 EA

Product Information Packet: EM581004L-2340 - 1000HP,1792RPM,3PH,60HZ,5810,TEFC,F1

705500325R	TERMINAL BOX WELDMENT 20X25X14	1.000 EA
418199008B	N/P	1.000 EA
402558004A	BRDRN- added to b/s 5/31	1.000 EA
LB0401A23	TERMINAL MARKING STRIP 120/240 SP HTR	1.000 EA
LB0401A21	TERMINAL MARKING STRIP PHASE C	1.000 EA
LB0401A00	TERM MKG STRIP, make at RKN	1.000 EA
034691004AB	1/2 PIPE PLUG	2.000 EA
406673000F	PPLG	1.000 EA
406673000B	PPLG	1.000 EA
412027034A	SUPPORT(T.B.) - G512	1.000 EA
415917001A	RTD TAG	4.000 EA
415916013C	T/BLK S/HTR LAC	1.000 EA
075459000A	C/BOX CVR W75459	1.000 EA
032130006AB	HSHCS 1/4-20X3/4L PLTD.	2.000 EA
065564000A	GASKET	1.000 EA
071422000A	C/BOX W 071422000	1.000 EA
047993000B	GASKET LAC	1.000 EA
032130007AB	HXSCHCS C/B CVR-449	10.000 EA
034180064LA	KEY DRV END EXT	1.000 EA
NP3131	"BALDOR ONLY" INDUSTRIAL MOTOR, SS,	1.000 EA
406255394A	N/P	1.000 EA
000692000EF	CAUTION LABEL	1.000 EA
482403000BVZ	WILCO NO. 789.201 Per Eng use MG1200G96-	1.000 GA
609911003A	NAMEPLATE SUPPORT	1.000 EA
033775004EA	DRSCR #6-1/4 304 S.S.	8.000 EA
000692000CL	N/P	1.000 EA

000692000FR	WARNING, HIGH VOLTAGE LABEL	1.000 EA
406255121B	N/P	1.000 EA
406991001SL	INSTRUCTION MANUAL	1.000 EA
LB1532	BALDOR LABEL, 12.00 LONG X 2.00 HIGH	2.000 EA
032080006LB	1/4 -20 X 3/4 HWHMS	22.000 EA

BALDOR-RELIANCE	FRAME	HP	TYPE	PHASE	HERTZ	RPM
SALES ORDER						
A58WG3890-R001	5810	1000	P	3	60	1792
VOLTS	AMPS	DUTY	AMB°C	INSUL	S.F.	NEMA DESIGN
2300 / 4000	224 / 129	CONT	40	F	1.15	---
CODE LETTER	ENCL.	ROTOR WK ² (lb-ft ²)	STATOR RES.@25°C OHMS (BETWEEN LINES)	TYPICAL DATA		
G	TEFC	500	0.06426 / 0.19280			

PERFORMANCE - LOW VOLTAGE / HIGH VOLTAGE

LOAD	HP	AMPERES	RPM	%	POWER FACTOR	EFFICIENCY
NO LOAD	0	63.2 / 36.7	1800 / 1800	4.7 / 4.7		0.0
1/4	250	86.0 / 49.8	1798 / 1798	58.3 / 57.9		93.5 / 93.4
2/4	500	125.3 / 72.3	1796 / 1796	78.0 / 77.7		95.8 / 95.8
3/4	750	172.4 / 99.2	1794 / 1794	84.6 / 84.5		96.2 / 96.2
4/4	1000	224.0 / 128.9	1792 / 1792	86.9 / 86.9		96.1 / 96.1
5/4	1250	279.5 / 160.7	1790 / 1790	87.4 / 87.3		95.8 / 95.8
6/4	1500	339.6 / 195.2	1787 / 1787	86.7 / 86.7		95.4 / 95.4

SPEED TORQUE - LOW VOLTAGE / HIGH VOLTAGE

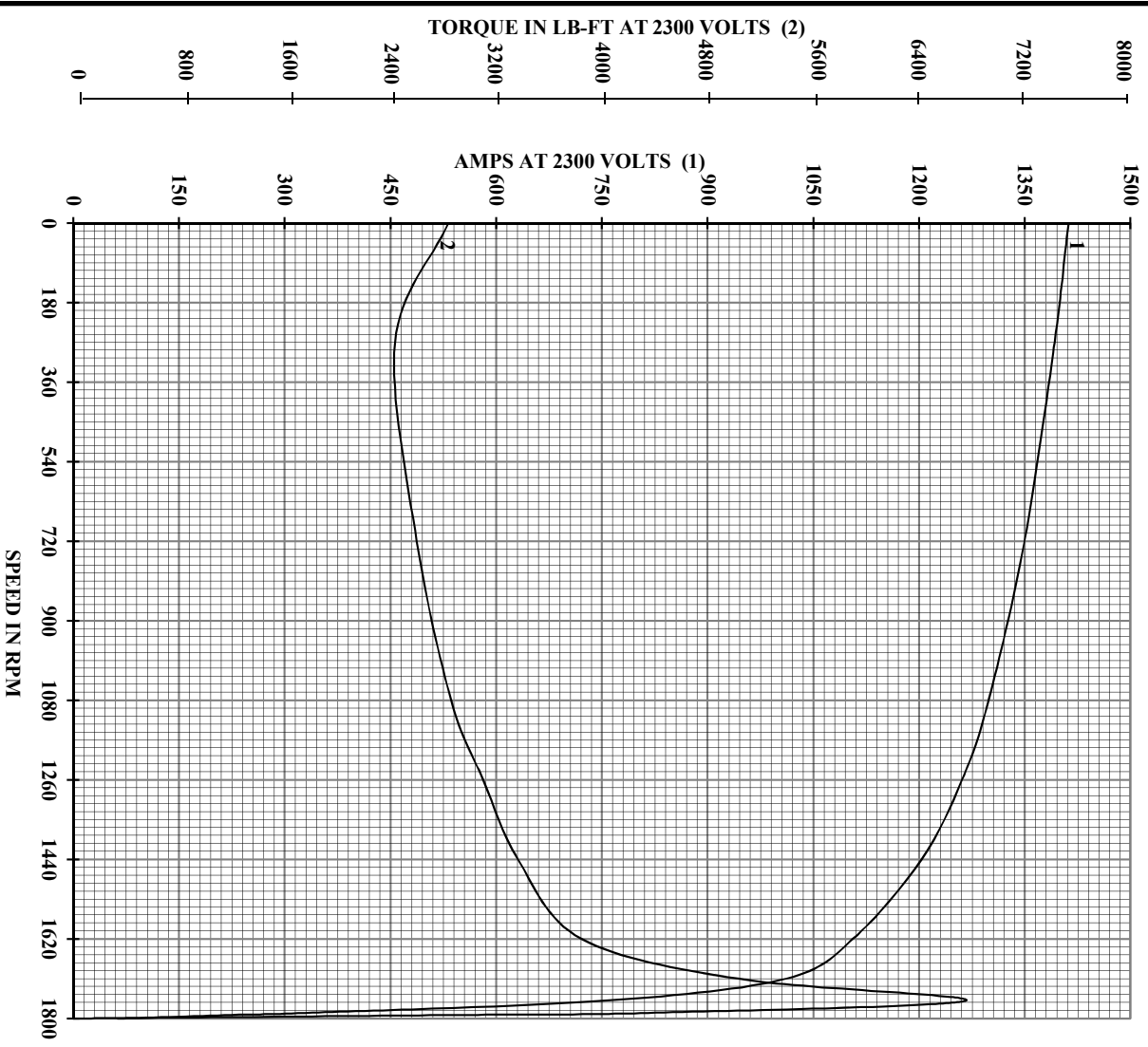
	RPM	TORQUE % FULL LOAD	TORQUE LB-FT	AMPERES
LOCKED ROTOR	0	97 / 98	2839 / 2863	1412.0 / 818.7
PULL UP	270 / 270	83 / 84	2435 / 2456	1392.2 / 807.2
BREAKDOWN	1760 / 1760	233 / 235	6822 / 6889	755.0 / 439.3
FULL LOAD	1792 / 1792	100 / 100	2930 / 2930	224.0 / 128.9

AMPERES SHOWN FOR 2300/4000 VOLT CONNECTION(S). IF OTHER VOLTAGE CONNECTIONS ARE AVAILABLE, THE AMPERES WILL VARY INVERSELY WITH THE VOLTAGE.

 A MEMBER OF THE ABB GROUP	DR. BY CD	A-C MOTOR	VGPMA04E4
	CK. BY B. LeRoy	PERFORMANCE	SH 1 OF 11
	APP. BY J. LaVallee	ISSUE DATE: 2/20/2014	
	DATE 2/20/2014		

REVISION 0

REL.S.O.	A58WG3890-R001	HERTZ	60	AMB°C	40	CODE LETTER	G
FRAME	5810	RPM	1792	INSUL	F	ENCLOSURE	TEFC
HP	1000	VOLTS	2300 / 4000 S.F.		1.15	STATOR RES.@25°C	0.06426 / 0.19280
TYPE	P	AMPS	224 / 129	NEMA DESIGN	---	OHMS (BETWEEN LINES)	
PHASE	3	DUTY	CONT	ROTOR WK ² (lb-ft ²)	500	TYPICAL DATA	



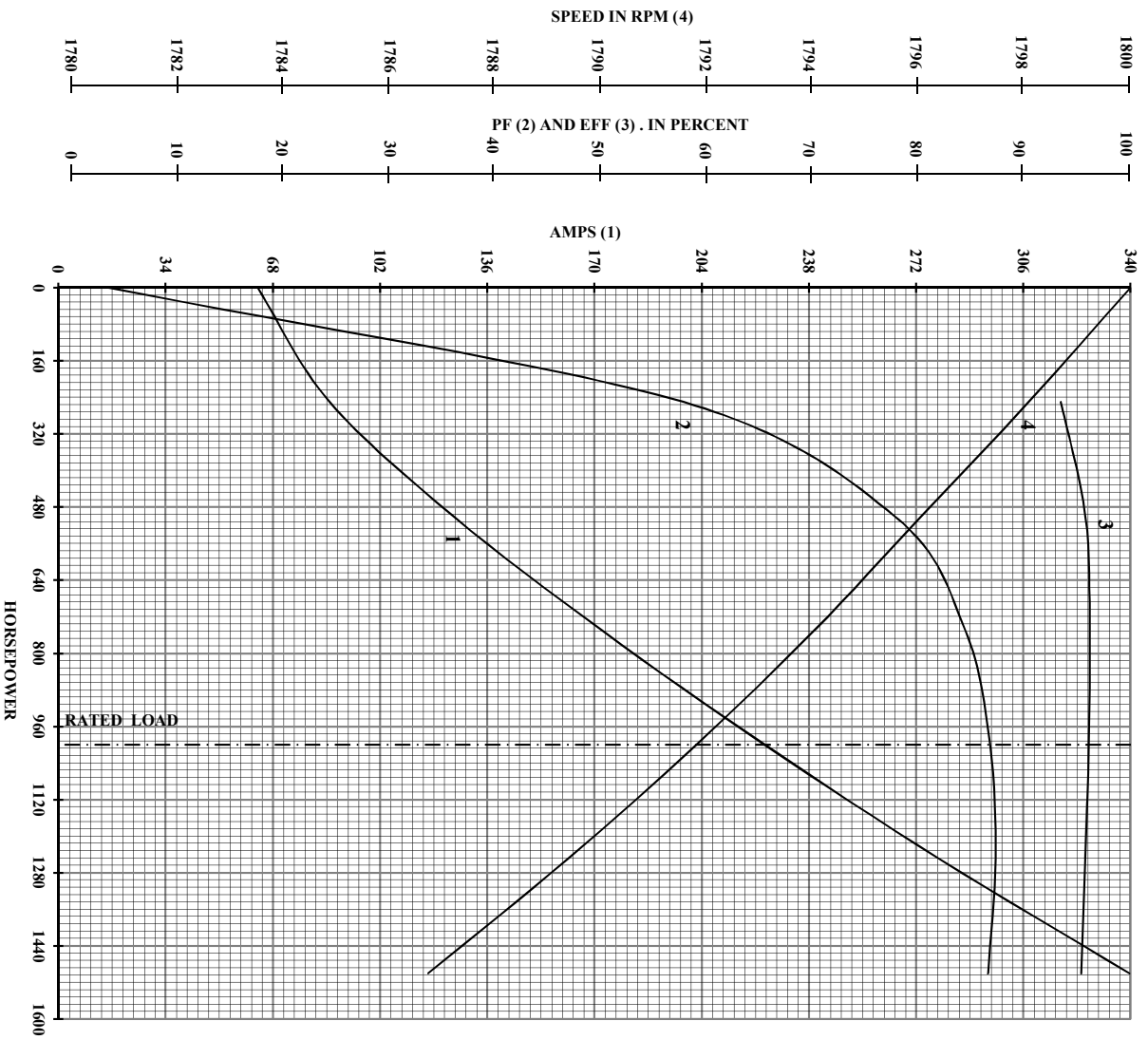
AMPERES SHOWN FOR 2300 VOLT CONNECTION, IF OTHER VOLTAGE CONNECTIONS ARE AVAILABLE, THE AMPERES WILL VARY INVERSELY WITH THE VOLTAGE. REVISION 0

BALDOR
A MEMBER OF THE ABB GROUP

DR. BY CD
CK. BY B. LeRoy
APP. BY J. LaVallee
DATE 2/20/2014

A-C MOTOR PERFORMANCE CURVES
VGPMA04E4
SH 2 OF 11
ISSUE DATE: 2/20/2014

REL S.O.	A58WG3890-R001	HERTZ	60	AMB°C	40	CODE LETTER	G
FRAME	5810	RPM	1792	INSUL	F	ENCLOSURE	TEFC
HP	1000	VOLTS	2300 / 4000 S.F.	NEMA DESIGN	1.15	STATOR RES.@25°C	0.06426 / 0.19280
TYPE	P	AMPS	224 / 129	ROTOR WK ² (lb-ft ²)	---	OHMS (BETWEEN LINES)	
PHASE	3	DUTY	CONT	500	TYPICAL DATA		



AMPERES SHOWN FOR **2300** VOLT CONNECTION. IF OTHER VOLTAGE CONNECTIONS ARE AVAILABLE, THE AMPERES WILL VARY INVERSELY WITH THE VOLTAGE. **REVISION 0**

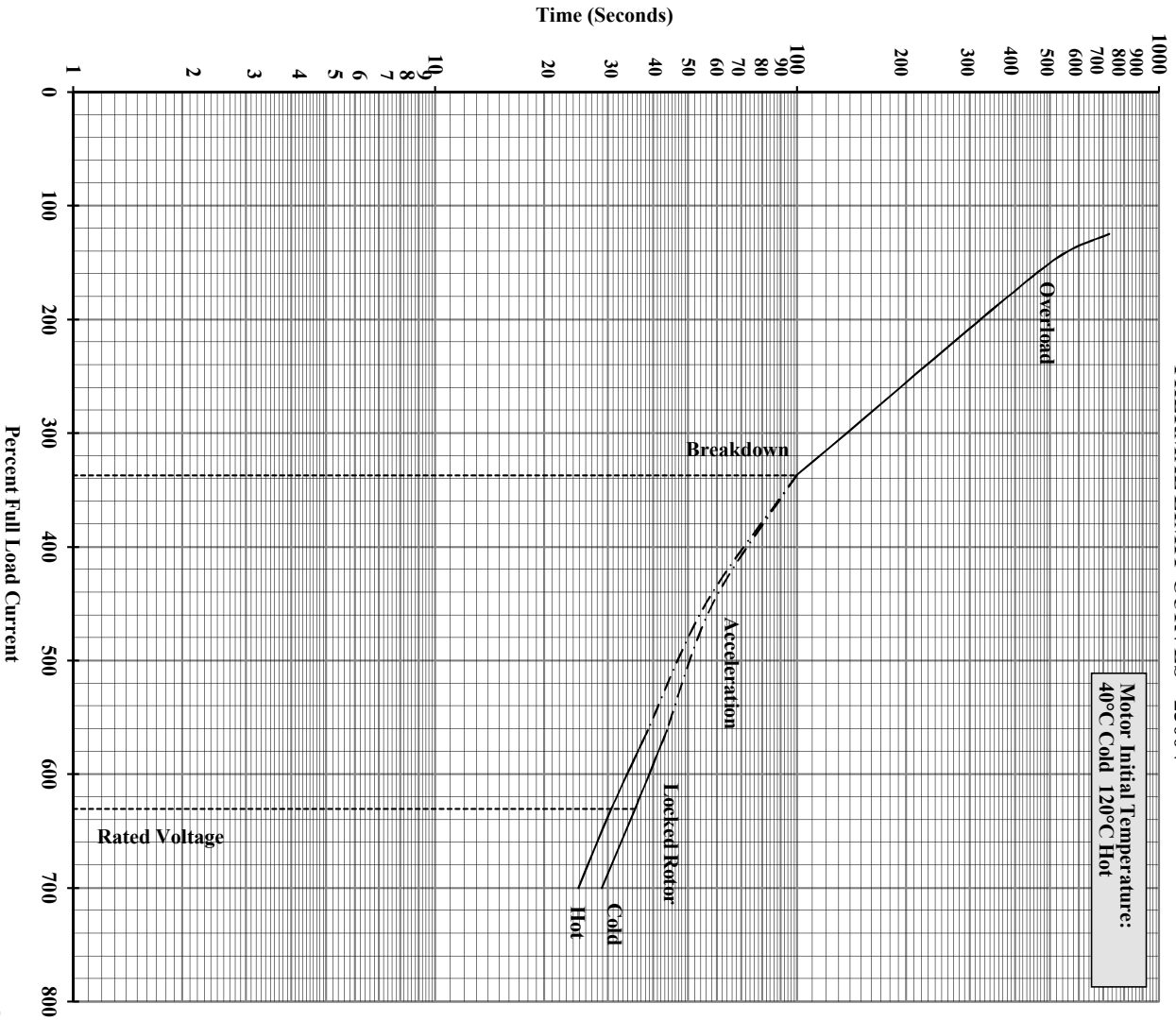
BALDOR
A MEMBER OF THE ABB GROUP

DR. BY CD
CK. BY B. LeRoy
APP. BY J. LaVallee
DATE 2/20/2014

A-C MOTOR PERFORMANCE CURVES
VGPMMA04E4
SH 3 OF 11
ISSUE DATE: 2/20/2014

REL.S.O.	A58WG3890-R001	HERTZ	60	AMB°C	40	CODE LETTER	G
FRAME	5810	RPM	1792	INSUL	F	ENCLOSURE	TEFC
HP	1000	VOLTS	2300 / 4000	S.F.	1.15	STATOR RES.@25°C	0.06426 / 0.19280
TYPE	P	AMPS	224 / 129	NEMA DESIGN	---	OHMS (BETWEEN LINES)	
PHASE	3	DUTY	CONT	ROTOR WK ² (lb-ft ²)	500	TYPICAL DATA	

THERMAL LIMIT CURVES - 2300V



BALDOR
A MEMBER OF THE ABB GROUP

DR. BY CD
CK. BY B. LeRoy
APP. BY J. LaVallee
DATE 2/20/2014

A-C MOTOR
PERFORMANCE

VGPMA04E4
SH 4 OF 11
ISSUE DATE: 2/20/2014

REVISION 0

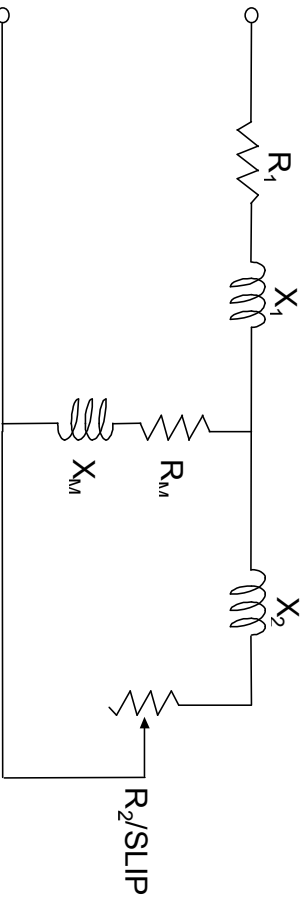
REL S.O.	A58WG3890-R001	HERTZ	60	AMB°C	40	CODE LETTER	G
FRAME	5810	RPM	1792	INSUL	F	ENCLOSURE	TEFC
HP	1000	VOLTS	2300 / 4000 S.F.		1.15	STATOR RES.@25°C	0.06426 / 0.19280
TYPE	P	AMPS	224 / 129	NEMA DESIGN	---	OHMS (BETWEEN LINES)	
PHASE	3	DUTY	CONT	ROTOR WK ² (lb-ft ²)	500	TYPICAL DATA	

2300V CONNECTION

EQUIVALENT CIRCUIT DATA

(Per Unit, Per Phase)

FULL LOAD		LOCKED ROTOR					
R ₁	0.00593	X ₁	0.07982	R ₁	0.00479	X ₁	0.07837
R ₂	0.00387	X ₂	0.12615	R ₂	0.01799	X ₂	0.05229
R _M	0.06105	X _M	2.90758	R _M	0.23208	X _M	2.69807
BASE OHMS	7.09100		BASE VOLTS	1328			
SC Time Constant	0.090 Sec		X" = X _S	0.13066			
OC Time Constant	2.079 Sec		X/R Ratio	18.36			



Parallel Equivalent			
FL R _M ' pu	138.5380	LR R _M ' pu	31.59877
FL X _M ' pu	2.90886	LR X _M ' pu	2.71803

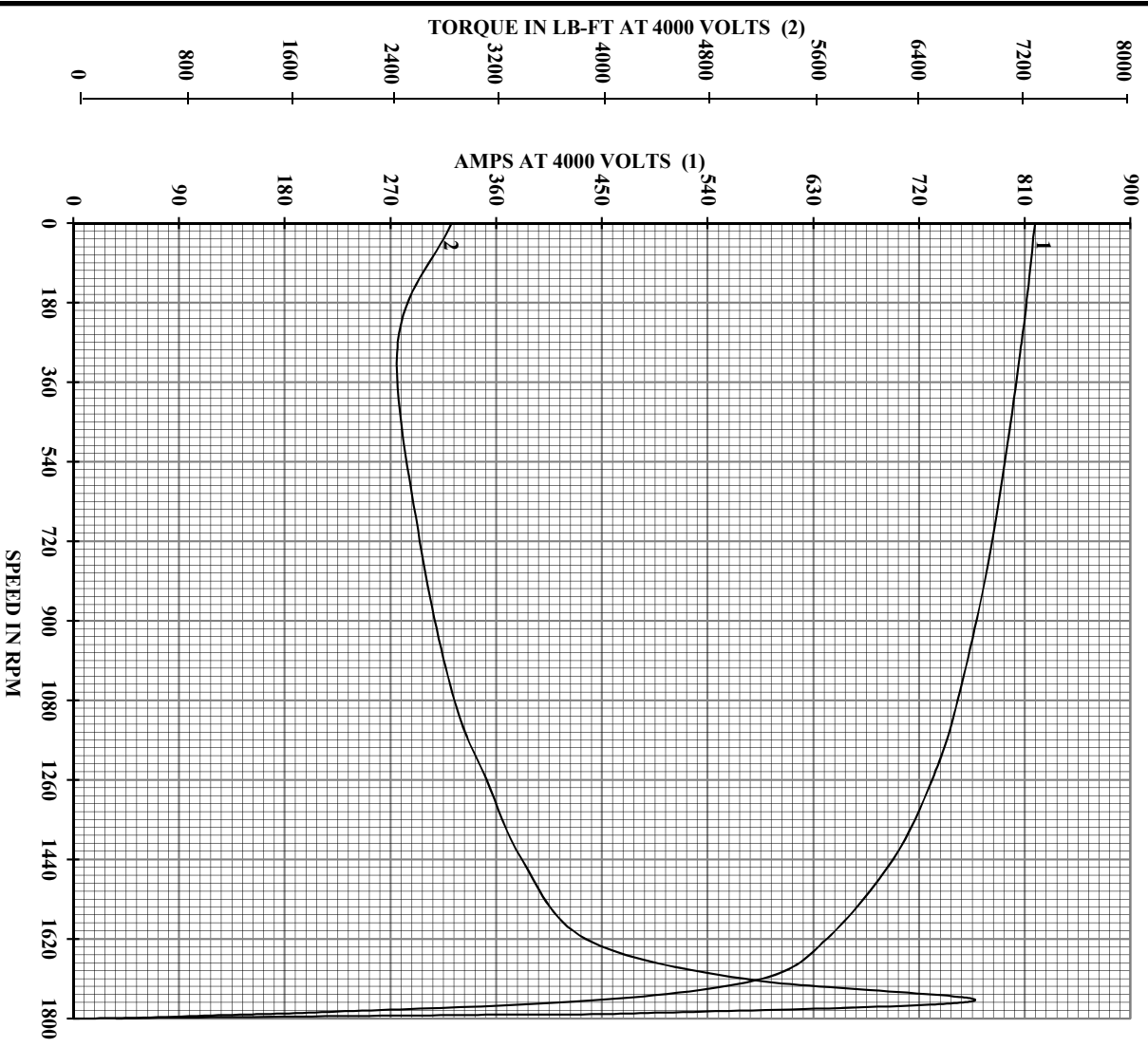
- R₁ = Stator dc resistance
- R₂ = Rotor resistance
- R_M = Core loss resistance
- SC = Short circuit
- OC = Open circuit
- X₁ = Stator leakage reactance
- X₂ = Rotor leakage reactance
- X_M = Magnetizing reactance
- FL = Full load
- LR = Locked rotor

X" = X_S = Subtransient reactance

REVISION 0

<p>A MEMBER OF THE ABB GROUP</p>	DR. BY CD CK. BY B. LeRoy APP. BY J. LaVallee DATE 2/20/2014	A-C MOTOR PERFORMANCE CURVES	VGPMA04E4 SH 5 OF 11 ISSUE DATE: 2/20/2014
----------------------------------	---	------------------------------------	--

REL.S.O.	A58WG3890-R001	HERTZ	60	AMB°C	40	CODE LETTER	G
FRAME	5810	RPM	1792	INSUL	F	ENCLOSURE	TEFC
HP	1000	VOLTS	2300 / 4000 S.F.		1.15	STATOR RES.@25°C	0.06426 / 0.19280
TYPE	P	AMPS	224 / 129	NEMA DESIGN	---	OHMS (BETWEEN LINES)	
PHASE	3	DUTY	CONT	ROTOR WK ² (lb-ft ²)	500	TYPICAL DATA	



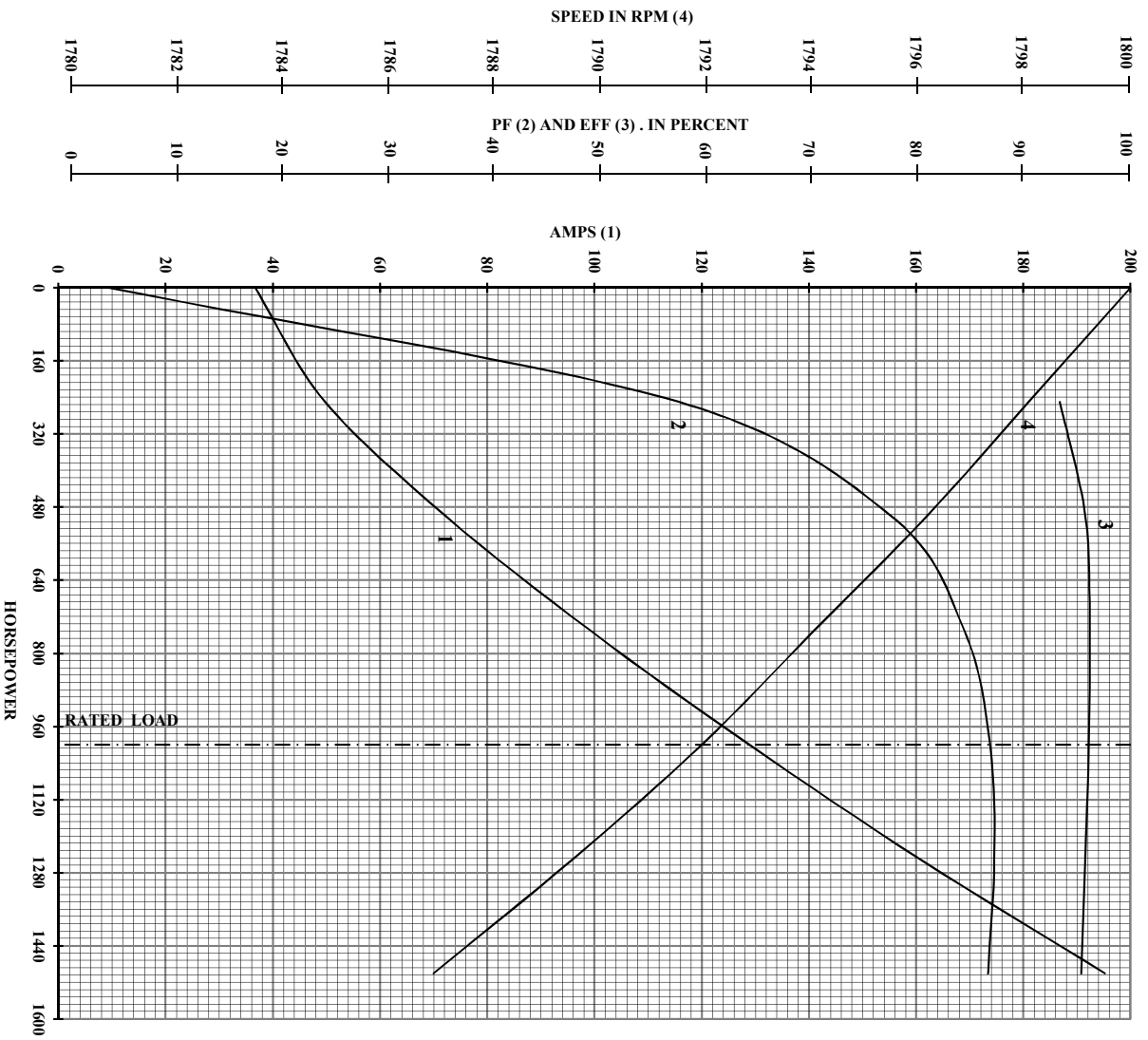
AMPERES SHOWN FOR 4000 VOLT CONNECTION, IF OTHER VOLTAGE CONNECTIONS ARE AVAILABLE, THE AMPERES WILL VARY INVERSELY WITH THE VOLTAGE. REVISION 0

BALDOR
A MEMBER OF THE ABB GROUP

DR. BY CD
CK. BY B. LeRoy
APP. BY J. LaVallee
DATE 2/20/2014

A-C MOTOR PERFORMANCE CURVES
VGPMA04E4
SH 6 OF 11
ISSUE DATE: 2/20/2014

REL.S.O.	A58WG3890-R001	HERTZ	60	AMB°C	40	CODE LETTER	G
FRAME	5810	RPM	1792	INSUL	F	ENCLOSURE	TEFC
HP	1000	VOLTS	2300 / 4000 S.F.	NEMA DESIGN	1.15	STATOR RES.@25°C	0.006426 / 0.19280
TYPE	P	AMPS	224 / 129	ROTOR WK ² (lb-ft ²)	---	OHMS (BETWEEN LINES)	
PHASE	3	DUTY	CONT	500	TYPICAL DATA		



AMPERES SHOWN FOR 4000 VOLT CONNECTION. IF OTHER VOLTAGE CONNECTIONS ARE AVAILABLE, THE AMPERES WILL VARY INVERSELY WITH THE VOLTAGE. REVISION 0

BALDOR
A MEMBER OF THE ABB GROUP

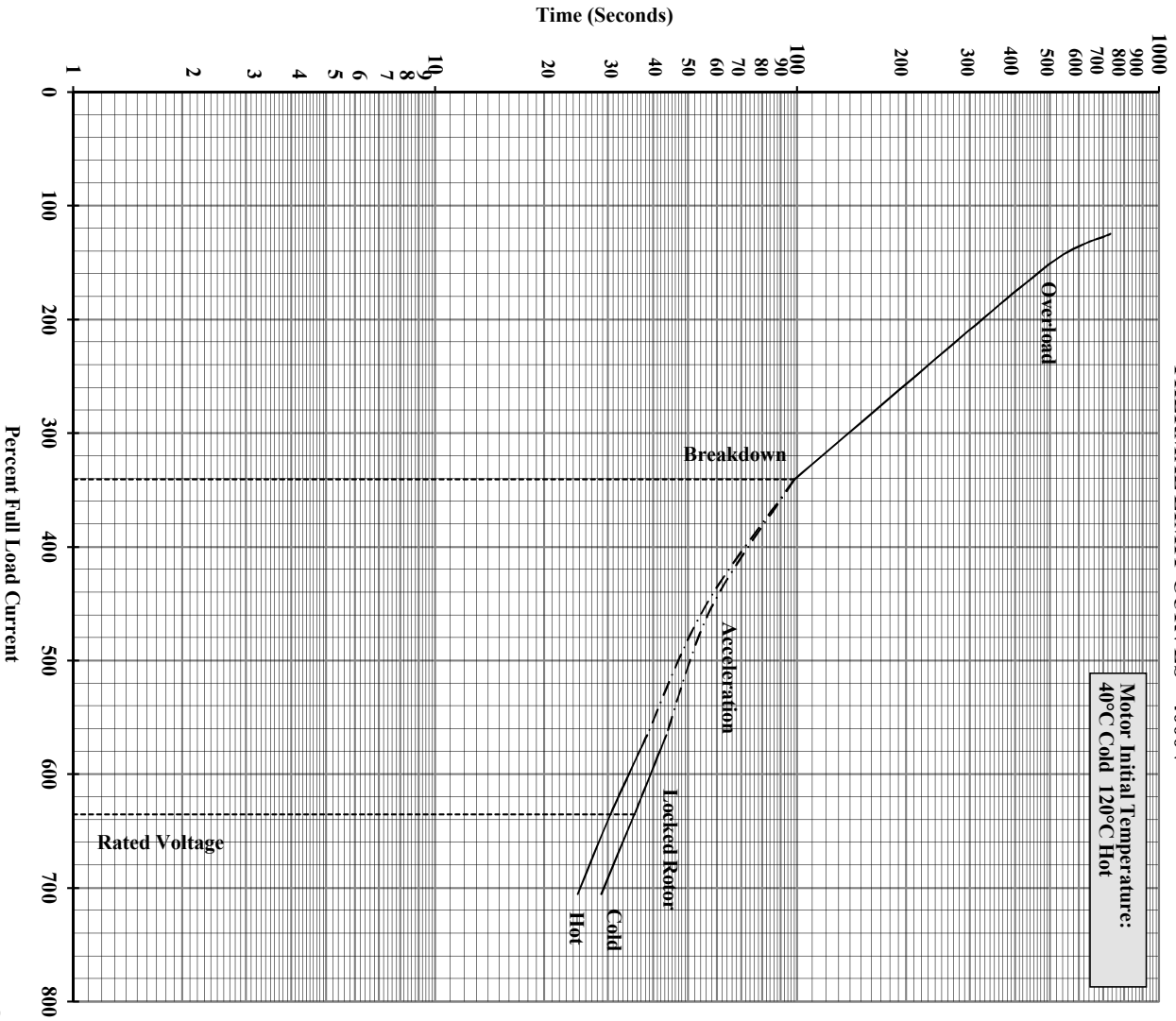
DR. BY CD
CK. BY B. LeRoy
APP. BY J. LaVallee
DATE 2/20/2014

A-C MOTOR
PERFORMANCE
CURVES

VGPMA04E4
SH 7 OF 11
ISSUE DATE: 2/20/2014

REL.S.O.	A58WG3890-R001	HERTZ	60	AMB°C	40	CODE LETTER	G
FRAME	5810	RPM	1792	INSUL	F	ENCLOSURE	TEFC
HP	1000	VOLTS	2300 / 4000	S.F.	1.15	STATOR RES.@25°C	0.06426 / 0.19280
TYPE	P	AMPS	224 / 129	NEMA DESIGN	---	OHMS (BETWEEN LINES)	
PHASE	3	CONT DUTY	ROTOR WK ² (lb-ft ²)	500	TYPICAL DATA		

THERMAL LIMIT CURVES - 4000V



BALDOR
A MEMBER OF THE ABB GROUP

DR. BY CD
CK. BY B. LeRoy
APP. BY J. LaVallee
DATE 2/20/2014

A-C MOTOR
PERFORMANCE

VGPMA04E4
SH 8 OF 11
ISSUE DATE: 2/20/2014

REVISION 0

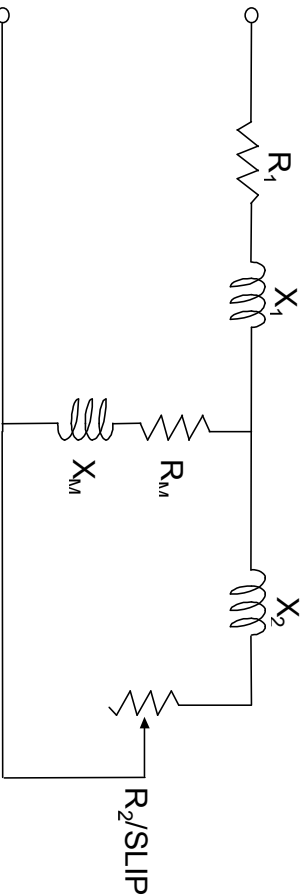
REL S.O.	A58WG3890-R001	HERTZ	60	AMB°C	40	CODE LETTER	G
FRAME	5810	RPM	1792	INSUL	F	ENCLOSURE	TEFC
HP	1000	VOLTS	2300 / 4000 S.F.		1.15	STATOR RES.@25°C	0.06426 / 0.19280
TYPE	P	AMPS	224 / 129	NEMA DESIGN	---	OHMS (BETWEEN LINES)	
PHASE	3	DUTY	CONT	ROTOR WK ² (lb-ft ²)	500	TYPICAL DATA	

4000V CONNECTION

EQUIVALENT CIRCUIT DATA

(Per Unit, Per Phase)

FULL LOAD		LOCKED ROTOR					
R ₁	0.00588	X ₁	0.07917	R ₁	0.00475	X ₁	0.07772
R ₂	0.00384	X ₂	0.12526	R ₂	0.01784	X ₂	0.05185
R _M	0.06040	X _M	2.87819	R _M	0.23016	X _M	2.67382
BASE OHMS	21.44800	BASE VOLTS	2309				
SC Time Constant	0.090 Sec	X" = X _S	0.12957				
OC Time Constant	2.075 Sec	X/R Ratio	18.36				



Parallel Equivalent			
FL R _M ' pu	137.2123	LR R _M ' pu	31.29252
FL X _M ' pu	2.87946	LR X _M ' pu	2.69363

- R₁ = Stator dc resistance
- R₂ = Rotor resistance
- R_M = Core loss resistance
- SC = Short circuit
- OC = Open circuit
- X₁ = Stator leakage reactance
- X₂ = Rotor leakage reactance
- X_M = Magnetizing reactance
- FL = Full load
- LR = Locked rotor

X" = X_S = Subtransient reactance

REVISION 0

<p>BALDOR A MEMBER OF THE ABB GROUP</p>	DR. BY CD	A-C MOTOR	VGPMA04E4
	CK. BY B. LeRoy	PERFORMANCE	SH 9 OF 11
	APP. BY J. LaVallee	CURVES	ISSUE DATE: 2/20/2014
	DATE 2/20/2014		

REL S.O.	A58WG3890-R001	HERTZ	60	AMB °C	40	CODE LETTER	G
FRAME	5810	RPM	1792	INSUL	F	ENCLOSURE	TEFC
HP	1000	VOLTS	2300 / 4000	S.F.	1.15	STATOR RES.@25°C	0.06426 / 0.19280
TYPE	P	AMPS	224 / 129	NEMA DESIGN	---	OHMS (BETWEEN LINES)	
PHASE	3	DUTY	CONT	ROTOR WK ² (lb-ft ²)	500	TYPICAL DATA	

Recommended Winding and Bearing Temperatures

Stator Winding	Class B	Class F
Maximum Running Total Temperature	130 °C	155 °C
Alarm Total Temperature	135 °C	160 °C
Trip Total Temperature	145 °C	170 °C

Sleeve Bearings - Oil Lubricated	Bearing	Oil
Typical Running Total Temperature	93 °C	60 °C
Alarm Total Temperature	96 °C	70 °C
Trip Total Temperature	98 °C	75 °C

Anti-Friction Bearings - Grease Lubricated	Bearing	Grease
Typical Running Total Temperature	90 °C	80 °C
Alarm Total Temperature	110 °C	100 °C
Trip Total Temperature	120 °C	110 °C

Recommended Vibration Settings for Standard Motors

Speed (rpm)	Shaft Vibration (mils)		Bracket Vibration (mils)	
	Alarm	Shutdown	Alarm	Shutdown
3600	2.50	3.00	1.00	1.50
1800	3.00	3.50	2.00	2.50
1200	3.00	3.50	2.00	2.50
900 & Lower	3.00	3.50	2.00	2.50
All Speeds			Bracket Vibration (in/sec pk)	
			Alarm	Shutdown
			0.20*	0.30*

* 0 to 1000 Hz Spectrum

REVISION 0



DR. BY CD
 CK. BY B. LeRoy
 APP. BY J. LaVallee
 DATE 2/20/2014

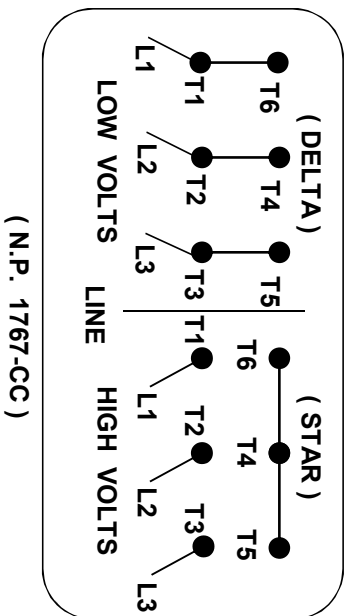
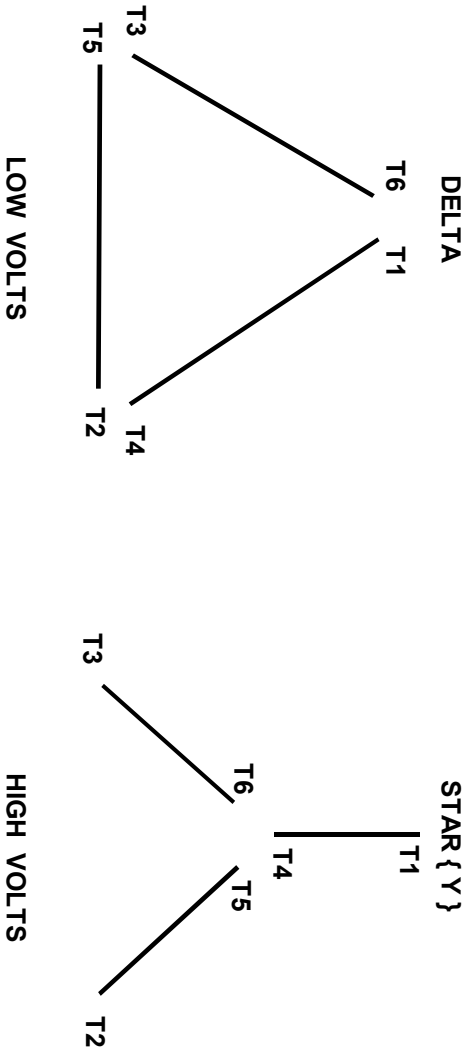
A-C MOTOR
 PERFORMANCE
 CURVES

VGPMMA04E4
 SH 10 OF 11
 ISSUE DATE: 2/20/2014

REL.S.O.	A58WG3890-R001	HERTZ	60	AMB°C	40	CODE LETTER	G
FRAME	5810	RPM	1792	INSUL	F	ENCLOSURE	TEFC
HP	1000	VOLTS	2300 / 4000 S.F.		1.15	STATOR RES.@25°C	0.06426 / 0.19280
TYPE	P	AMPS	224 / 129	NEMA DESIGN	---	OHMS (BETWEEN LINES)	
PHASE	3	DUTY	CONT	ROTOR WK ² (lb-ft ²)	500	TYPICAL DATA	

A-C MOTOR CONNECTION DIAGRAM

**STANDARD 6 LEAD (DELTA / STAR { Y } CONNECTED)
DUAL VOLTAGE (LOW VOLTS / HIGH VOLTS)**



REVISION 0

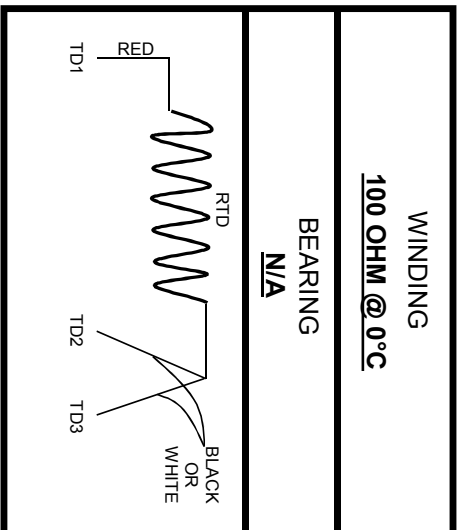
BALDOR
A MEMBER OF THE ABB GROUP

DR. BY CD
CK. BY B. LeRoy
APP. BY J. LaVallee
DATE 2/20/2014

A-C MOTOR PERFORMANCE CURVES

VGPMA04E4
SH 11 OF 11
ISSUE DATE: 2/20/2014

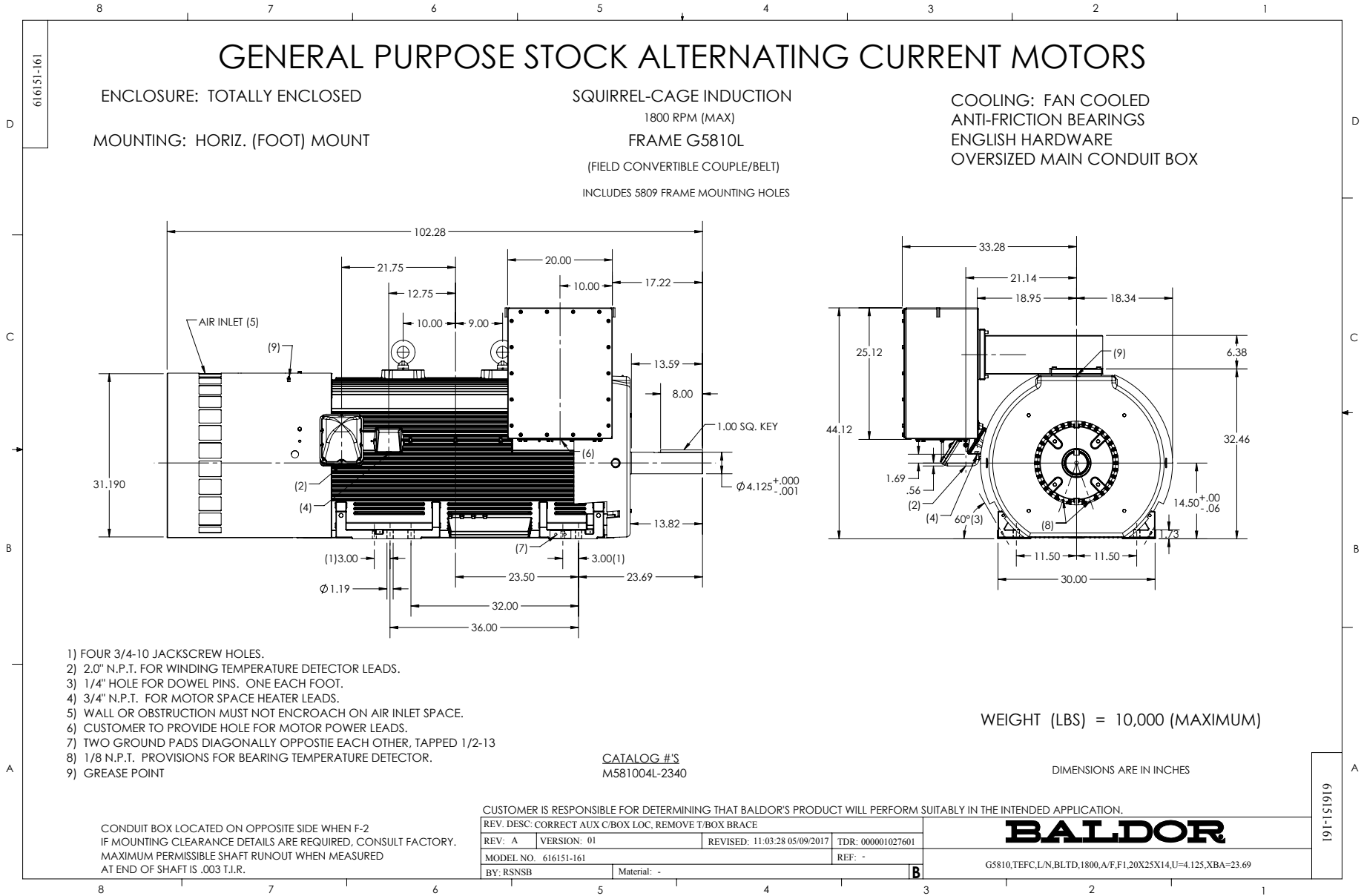
RESISTANCE TEMPERATURE CONNECTION DIAGRAM



DR. BY C. STOCKTON
 CK. BY D. PETROFF
 APP. BY C. STOCKTON
 DATE 11/20/2013

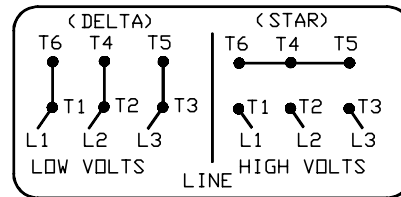
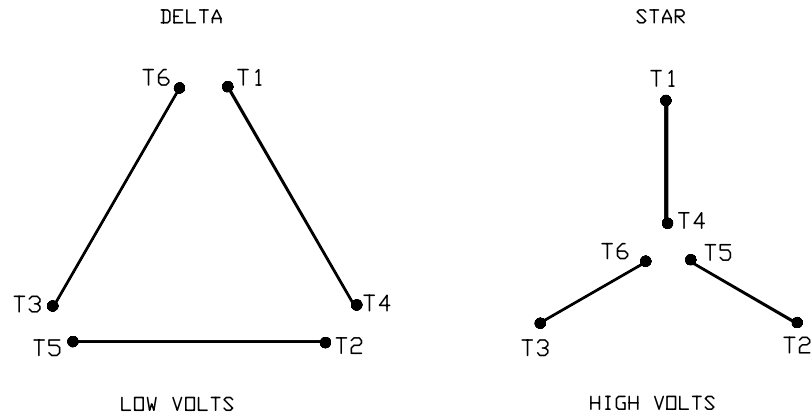
A-C MOTOR
 AUXILIARY
 CONNECTIONS

G58_GP
 SHEET 1 OF 2



416820-004

A-C MOTOR
 CONNECTION DIAGRAM
 STANDARD 6 LEAD (DELTA/STAR CONNECTED)
 DUAL VOLTAGE (LOW VOLTS/HIGH VOLTS)



(N. P. 1767-CC)

416820-004

REV. DESC: FONT CHANGE FOR PDF SEARCHABLE		
REV. LTR: C	VERSION: 03	TDR: 000001009406
FILE: \RSN\00017\950	REVISED: 10:55:03 12/21/2016	BY: MGHMTT
MTL: -	© □	

BALDOR

A-C MOTOR CONNECTION DIAGRAM
 SH 1 of 1