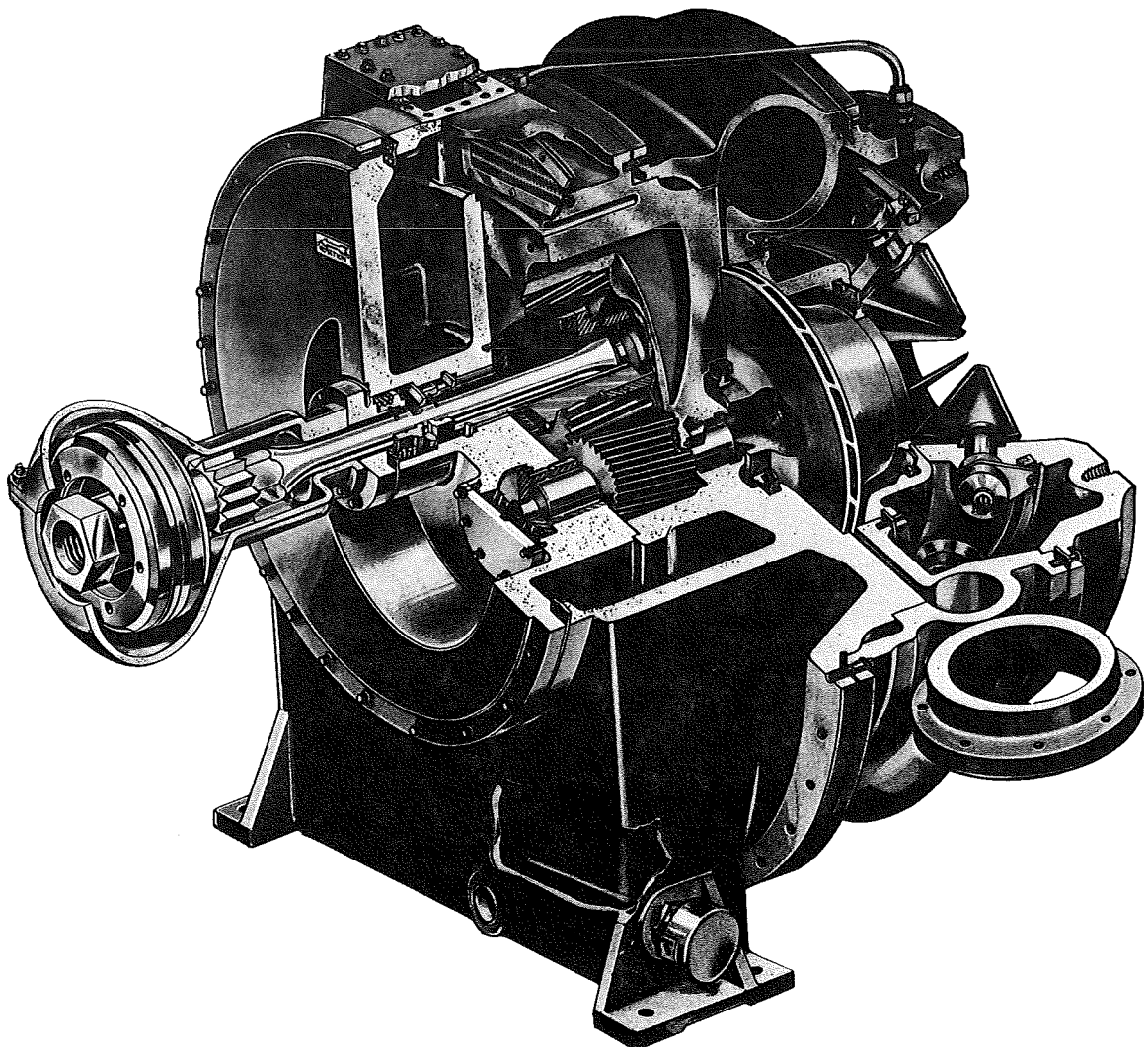


**MODELS OT M1 THRU OT T4 G2 (STYLE B)
650 THRU 1300 TONS
COMPRESSOR PARTS
MODEL LKC 65 AND LKC 73**



COMPRESSORS

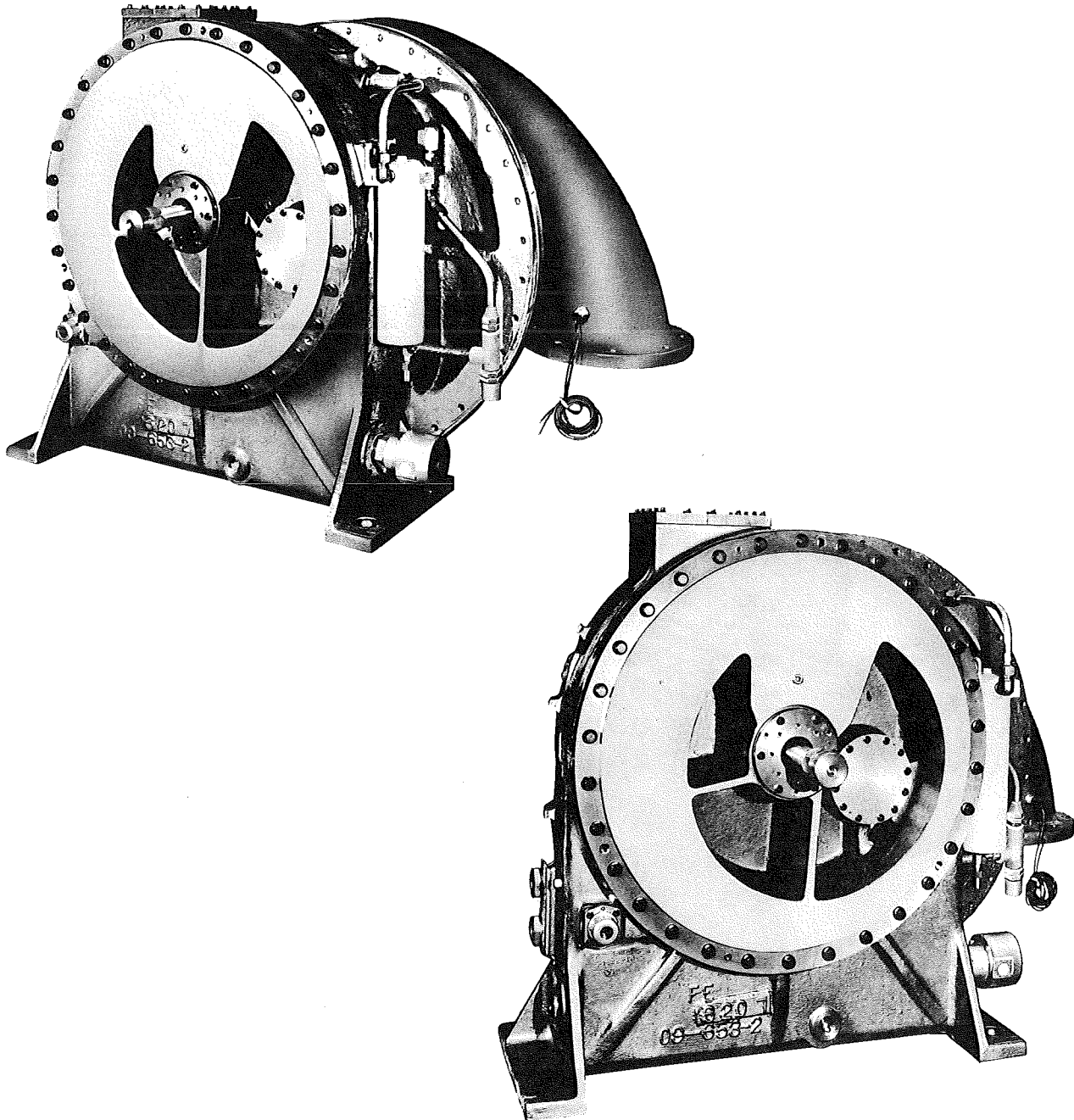


FIG. 1 — OPEN TYPE COMPRESSOR, MODEL LKC

Code	Compressor Part No.	Common Parts	Variable Parts
		See Page No.	
G1	364-46405-002	6 & 7	7
G2	364-46405-003	6 & 7	7

COMPRESSORS LKC65 & LKC73

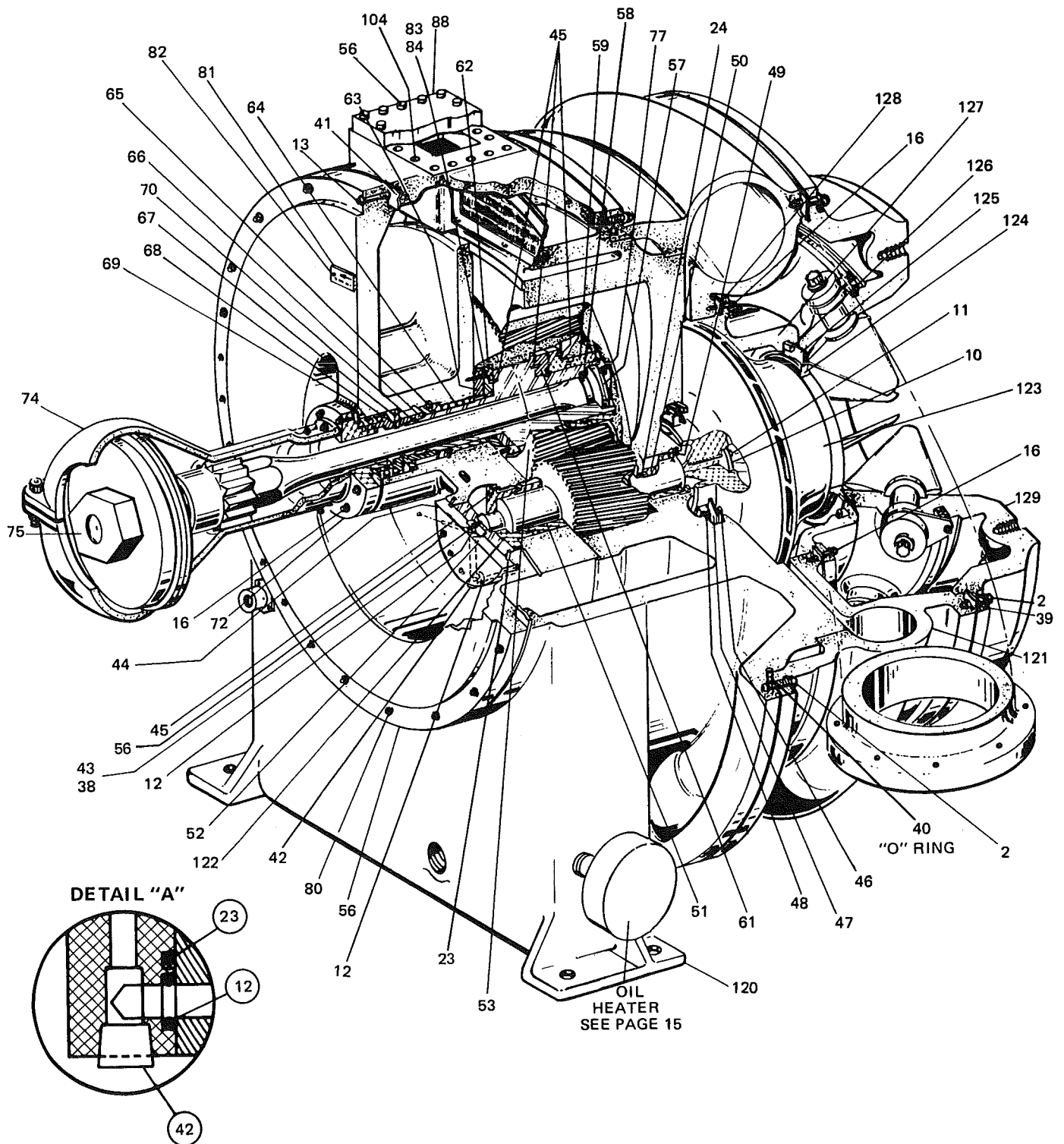


FIG. 2 – MODEL LKC65 & LKC73 COMPRESSORS, PARTS LOCATION

COMPRESSORS LKC65 & LKC73

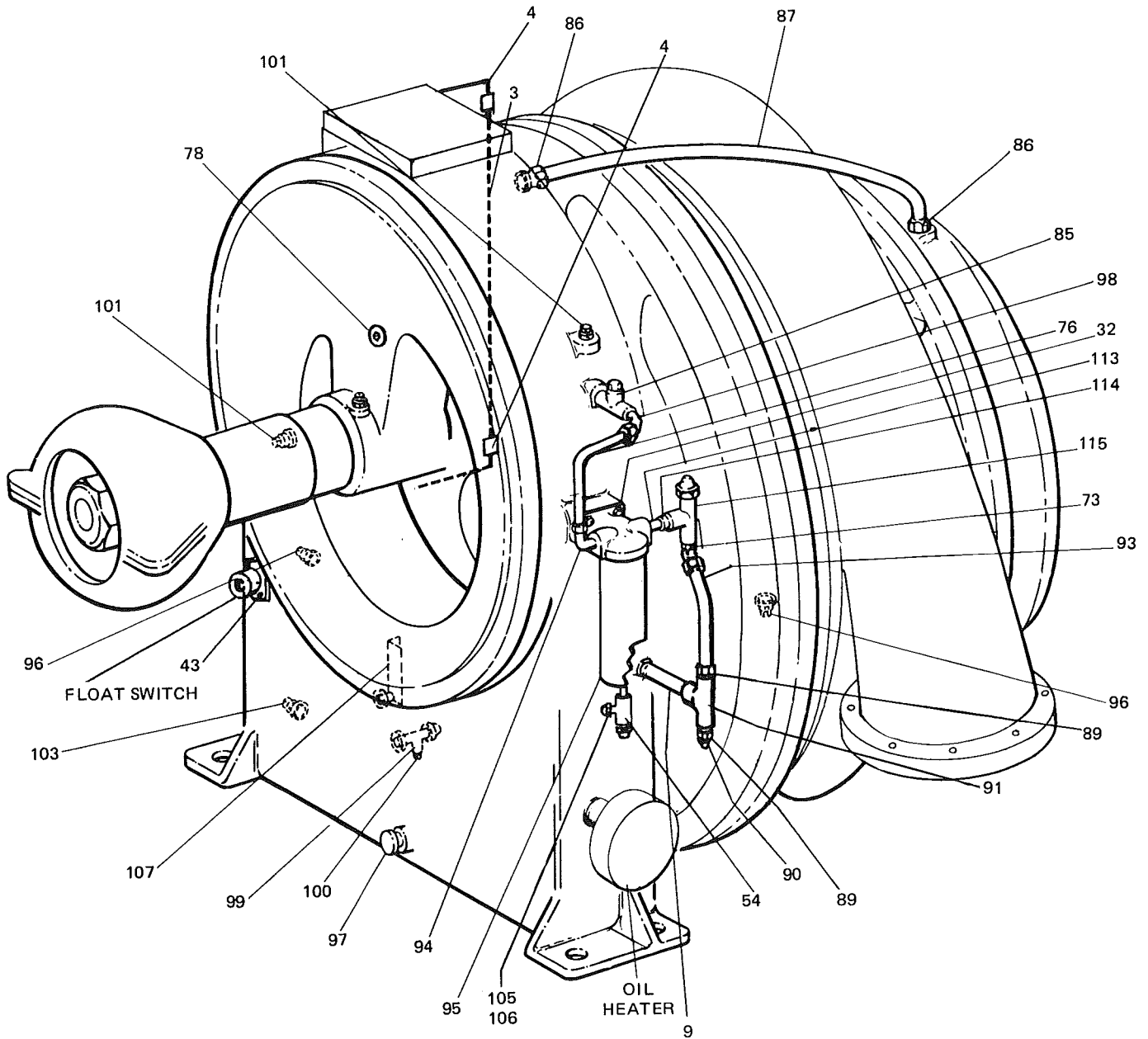
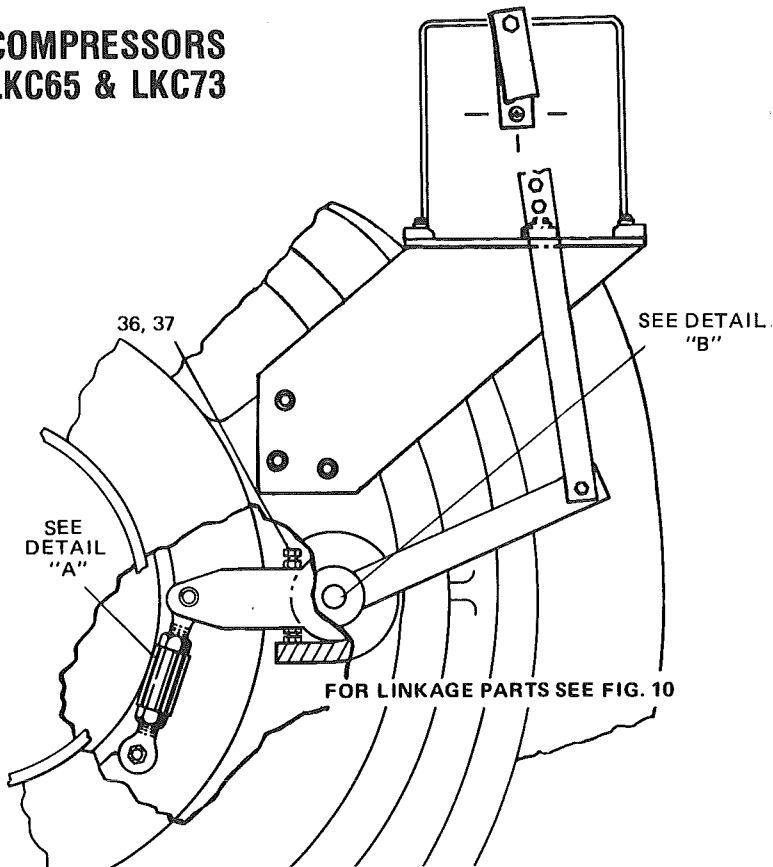
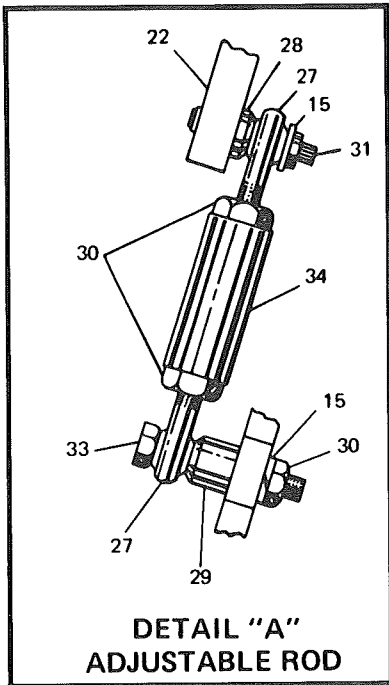
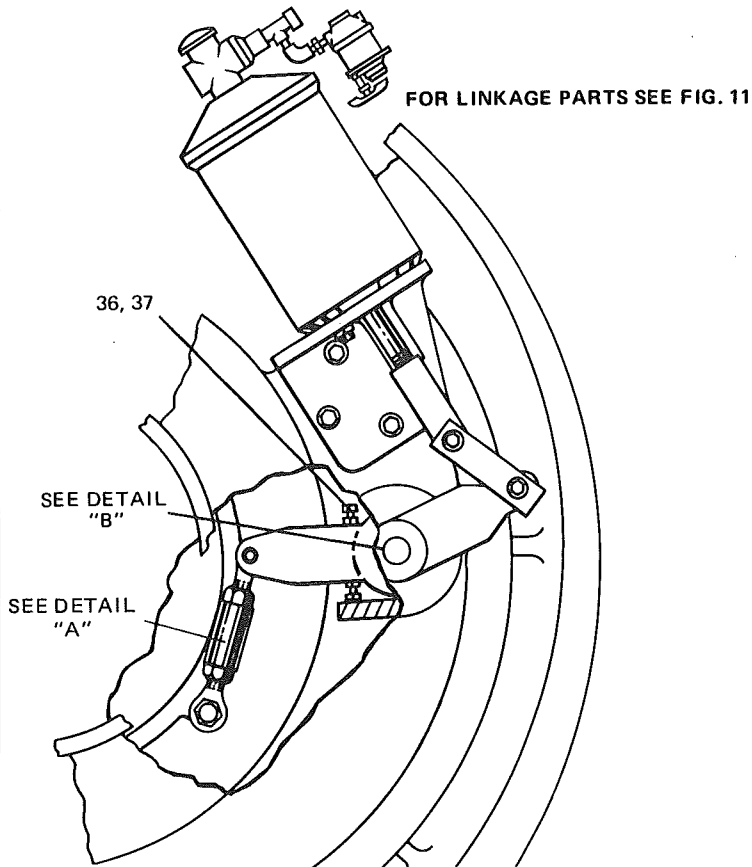
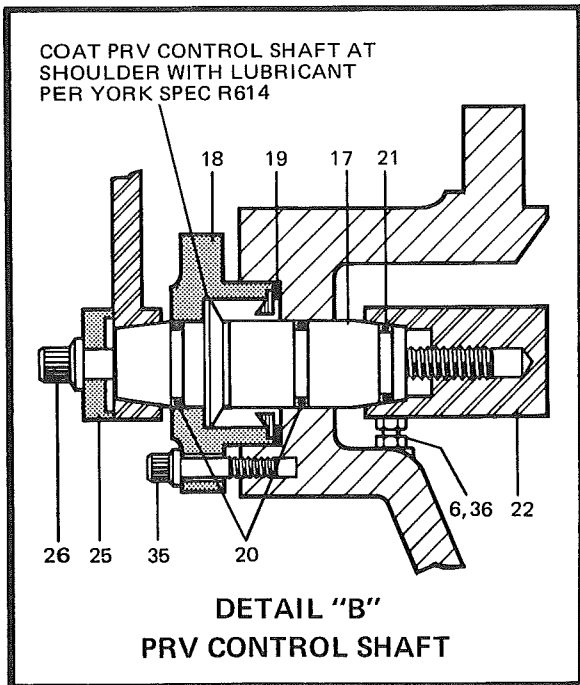


FIG. 3 — MODEL LKC65 & LKC73 COMPRESSORS, EXTERIOR VIEW, PARTS LOCATION

COMPRESSORS LKC65 & LKC73



**FIG. 4— ELECTRIC MOTOR LEVER —
ADJUSTMENT PARTS**



**FIG. 5— PNEUMATIC PRV POSITION LEVER —
ADJUSTMENT PARTS**

COMPRESSOR COMMON PARTS LIST

Item	Description	Quan.	Part No.	Item	Description	Quan.	Part No.
1	Eliminator, Oil	1	364-28144	43	Screw, Cap 12 Pt. Hd. 5/16-18 UNC-3A X 1 Lg.	6	021-12039
2	Screw, Cap 12 Pt. Hd. 5/8-11 UNC x 2	60	021-11971	44	Washer, 11/32 I.D. X 11/16 O.D. X .065 Th.	12	021-05166
3	Tube, 1/4 O.D. X .049 W X 27-1/16 Lg.	1	067-91500	45	Pin, Insert, 1/4 Dia. X 5/8 Lg.	6	029-03989
4	Elbow, 90°, 1/8 MPT X 1/4 Tube	2	023-09677	46	Ring, Retaining	1	029-10336
5	Screw Mach. Rd. Hd. Recd. #10-24 UNC X 1/2 Lg.	3	021-02459	47	Washer, Flat Spring	1	064-31191
6				48	Ring, Seal, Balance Piston	1	064-31189
7				49	Ring, Retaining	1	029-13854
8				*50	Bearing, Main (Pinion)	1	064-31190†
9	Nipple Pipe, 3/4 O.D. x Sch. 80 x 5" Lg.	1	070-08870	*51	Bearing, Thrust & Journal (Pinion)	1	064-21188+
10	Collar, Imp. Clamping	1	064-24116	*52	Cover, Thrust	1	064-46415
11	Screw Cap 12 Pt. Hd. 1/2-20 UNF-3A X 3 Lg.	3	021-11515				See Data
12	Seal "O" ring. 176 I.D. x .070 Sect.	1	028-10156	53	Gear & Pinion	1	Nameplate
13	Screw Cap 12 Pt. Hd. 5/8-11 UNC-3A X 1-7/8 Lg.	30	021-11146	54	Valve, Stop Angle 1/4 FLA X 1/4 NPTE	1	022-05260
14	Compound Sealer	A.R.	013-01671	55	Plug, Sight	2	026-16556
15	Lockwasher, Spg. 3/8	2	021-05291	56	Screw, Cap 12 Pt. Hd. 5/16-18 UNC X 1-1/4 Lg.	28	021-14440
16	Screw Cap 12 Pt. Hd. 3/8-16 UNC-3A X 1-1/4 Lg.	24	021-11141	57	Shaft, Drive	1	064-46428
17	Shaft Control PRV	1	029-13581	*58	"O" Ring, 2-3/8 O.D. X 2-1/8 I.D. X 1/8 Sect.	1	028-04478
18	Cover, Shaft Control	1	064-13909	*59	Bearing, Thrust & Journal (Gear)	1	064-23741
19	Gasket, 2-1/2 O.D. X 2 I.D. X 1/16 Thk.	1	028-00781	60			
20	"O" Ring, 1-3/8 O.D. X 1-1/8 I.D. X 1/8 Sect.	2	028-04353	61	Collar, Thrust, Front (Gear)	1	064-23125
21	"O" Ring, 1-1/4 O.D. X 1" I.D. X 1/8 Sect.	1	028-04522	62	Collar, Thrust, Rear (Gear)	1	064-24126
22	Lever, PRV Device Int.	1	364-23745	*63	Bearing, Thrust (Gear)	1	064-23127
23	Seal "O" ring 5.340 x .070 Sect.	1	028-10157	*64	Bearing, Rear (Gear)	1	064-24105
*24	Pin, Insert 1/8 Dia. X 9/16 Lg.	2	029-03990	65	Ring, Retaining	1	029-08780
25	Washer, Spl. 1-3/4 Dia. X 1/2 Lg.	1	064-08815	66	Collar, Shaft Seal	1	064-16649-011
26	Screw, Cap 12 Pt. Hd. 1/2-20 UNF-3A X 6 Lg.	1	021-11998	67	Carbon, Shaft Seal	1	064-16651-011
27	Bearing, Rod End Spher.	2	029-08343	68	Ring, Shaft Seal	1	064-16650-011
28	Fillpiece, 3/4 Dia. X 1/4 Lg.	1	064-10821	69	Spring, Helical	1	029-09095
29	Fillpiece, 3/4 Dia. X 23/32 Lg.	1	064-09288	70	"O" Ring, 3" O.D. X 2-5/8 I.D. X 3/16 Sect.	2	028-05194
30	Nut, Hex Reg. 3/8-24 UNF-2B	3	021-00474	71			
31	Screw Cap, 12 Pt. Hd. 3/8-24 UNF-3A X 1-1/2 Lg.	1	021-11720	72	Cover, Shaft Seal	1	064-22975
32	Screw Cap Hex Hd. 1/2-13 UNC-2A X 1-1/4 Lg.	2	021-01567	73	Ell, Cinch 45° 3/4 Tube X 3/4 NPTE	1	023-11584
33	Screw, 3/8-24 UNF X 2-1/2 Lg.	1	064-09287	74	Guard, Coupling (Half)	1	064-95022-002
34	Rod, Adjustable	1	064-23117				See Fig. 11
35	Screw Cap 12 Pt. Hd. 3/8-16 UNC-3A X 1-1/2 Lg.	2	021-11175	75	Coupling, 1-7/8	1	064-95022-001
36	Screw, Cap Hex. 1/4-20 UNC X 3/4	2	021-01379				See Fig. 10
37	Nut, Hex 1/4-20 UNC	2	021-00574	76	Tube 5/8 O.D. X .049 Wall X 16 Lg.	1	064-31776
38				77	Screw Cap 12 Pt. Hd. 3/8-24 UNF-3A x 2-1/4 Lg.	12	021-11956
*39	Gasket, PRV Hsg. to Scroll	1	064-24118	78	Plug, Pipe Hex Soc. Csk. 3/8	3	023-04298
40	"O" Ring, 30.969 I.D. X .275	1	028-09489	*79	"O" Ring, 7/8 O.D. X 11/16 I.D. X 3/32 Sect.	1	028-05404
*41	Gasket, Rotor Supp. to Bearing Housing	1	064-24120	80	Pin, Dowel, Str. 1/2 Dia. X 2 Lg.	3	029-10646
*42	Plug, Pipe 1/16-27 NPT	1	023-05366-000	81	Nameplate, Rotation	1	029-00334

A.R. — As required

*Parts Included Field Kit—364-46724

COMPRESSOR COMMON PARTS LIST

Item	Description	Quan.	Part No.	Item	Description	Quan.	Part No.
82	Screw Drive #4 X 1/4 Lg.	6	021-03720	105	Nut Flare 1/4	1	021-05675
83	Screw Cap Hex Soc. #10-24 UNC X 1 Lg.	2	021-10153	106	Bonnet, Flare 1/4	1	023-01024
84	Washer, Plain, 7/32 I.D. X 1/2 O.D. X .049	5	021-05164	107	Thermometer	1	026-16555
85	Valve, Check 1/2 MPT X 1/2 FPT	1	022-01464	108			
86	Connection, 1/2 Tube X 1/2 MPT	2	023-06804	109			
87	Tubing 1/2 O.D. X .049 Wall X 21" Lg.	1	064-31771	110			
88	Cover, Oil Reservoir	1	064-43792	111			
89	Connection, 3/4 Tube X 3/4 NPTE	2	023-10696	112			
90	Cap, 3/4 Tube	1	023-09072	113	Nipple, Pipe 1/2 Sch. 80 X 1-1/8 Lg.	3	067-39601
91	Valve, Pressure Relief 3/4 FPT	1	022-06801	114	Bushing, 3/4 X 1/2	2	023-04010
92	Name Plate Patent	1	029-13270-002	115	Valve, Stop Angle 3/4	1	022-06358
93	Tubing, 3/4 O.D. X .049 Wall X 18 Lg.	1	064-31781				
94	Elbow, 90°, 5/8 Tube X 1/2 MPT	2	023-12041				
*95	Filter, 1/2 FPT	1	026-13831				
96	Plug, Pipe Sq. Hd. 1/2	2	023-03822				
97	Cap, Sealing 2-1/8	1	028-04653				
98	Elbow, 45°, 5/8 Tube X 1/2 MPT	1	023-12042				
99	Valve, Stop, Angle 3/8	1	022-05252				
100	Plug, Pipe, Sq. Hd. 3/8	1	023-01983				
101	Plug, Pipe, Sq. Hd. 1/4	2	023-01972				
102							
103	Plug, Pipe, Hex Skt. Csk. 2"	1	023-02027				
*104	Gasket, Cover Oil Reservoir	1	064-43793				

*Parts Included Field Kit — 464-46724

COMPRESSOR VARIABLE PARTS LIST

Item	Description	Model LKC65 (G1) 364-46405-002		Model LKC73 (G2) 364-46405-003	
		Part No.	Quan.	Part No.	Quan.
		119	Common Parts	See Pg. 6 & 7	1
120	Support, Rotor	064-46409	1	064-46410	1
121	Scroll, Rotor	064-46407	1	064-46408	1
122	Collar, Thrust (Pinion)	064-46416	1	064-46427	1
123	Impeller	064-31194	1	064-31195	1
124	Ring, Impeller Seal	064-23977	1	064-23980	1
125	Washer, Flat Spring	064-23978	1	064-23981	1
126	Ring Int. Retaining	064-23979	1	064-23982	1
127	Plate, Imp. Seal Retaining	064-23726	1	064-23727	1
128	Gasket Retaining Plate	*064-24122	1	*064-24123	1
129	Device, P.R.V.	364-43861	1	364-43862	1

COMPRESSOR

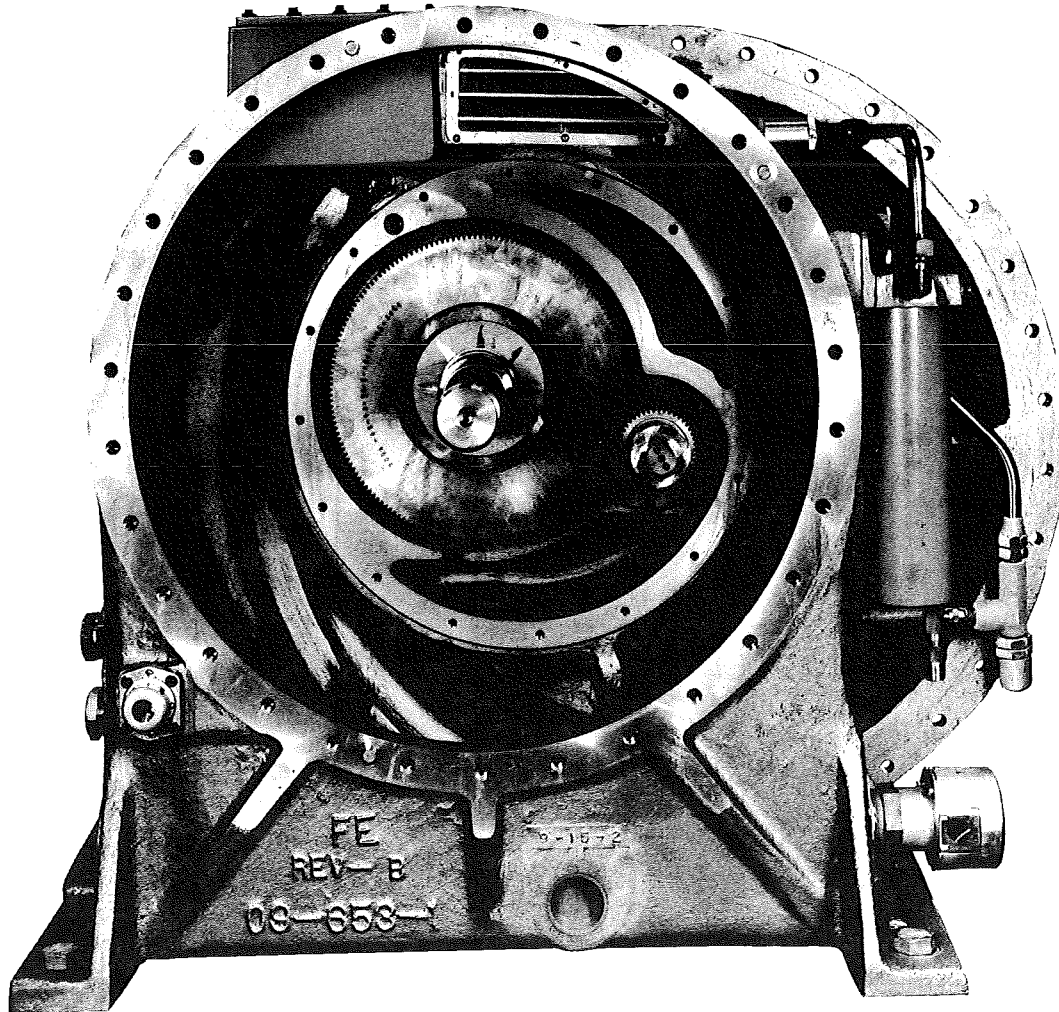


FIG. 6 — COMPRESSOR INTERNAL VIEWS' PARTS LOCATION

COMPRESSOR

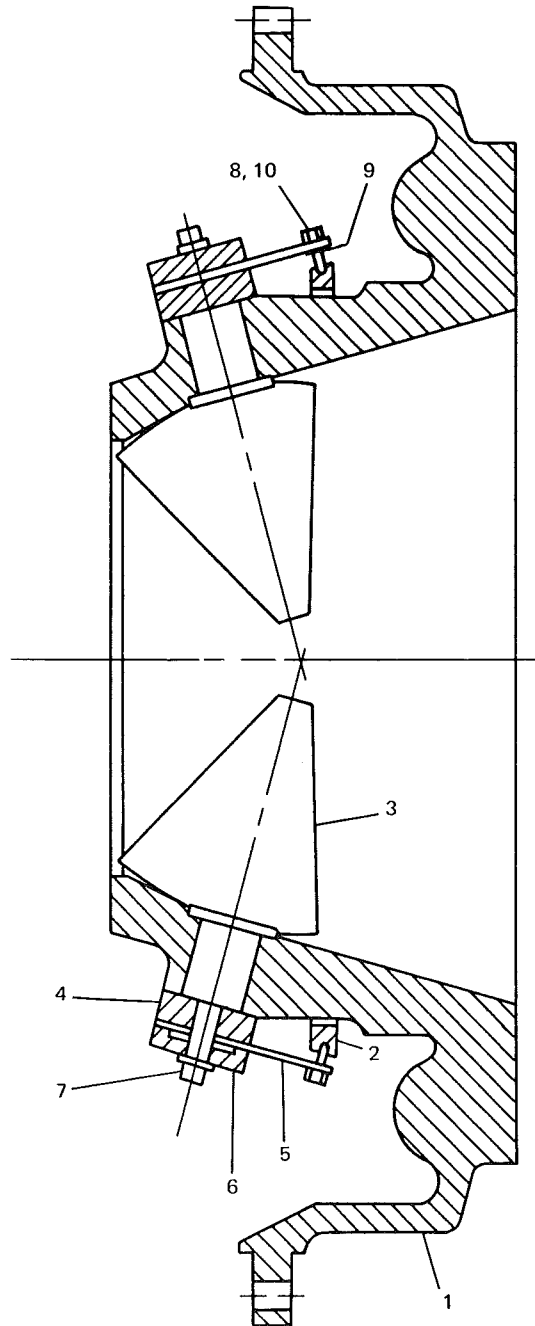
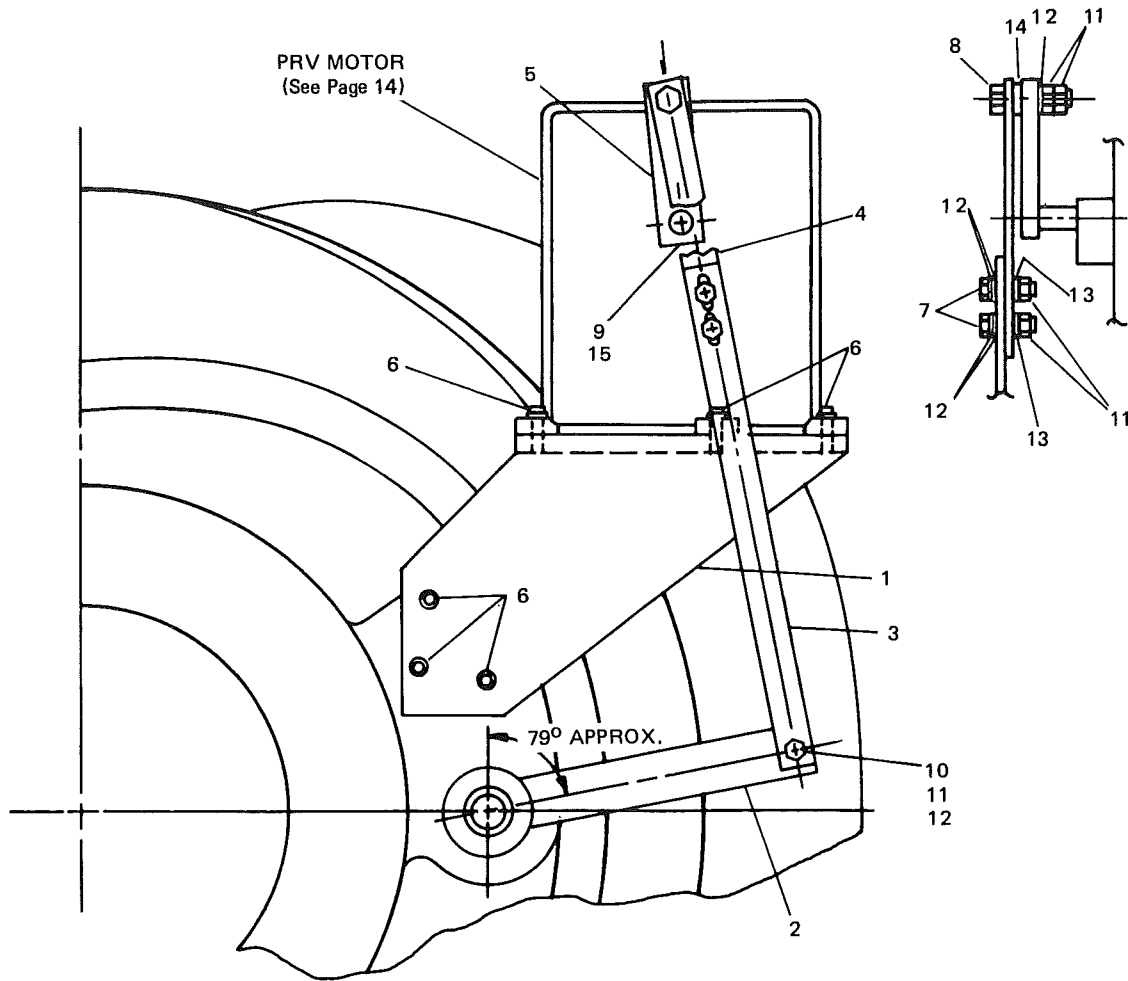


FIG. 7 – PRV ASSEMBLY

Item	Description	Models			
		LKA-65		LKA-73	
		Part No.	Quan.	Part No.	Quan.
1	Hsg.-Pre-Rotation	064-23747	1	064-23748	1
2	Ring-Vane Driving	064-10815	1	064-10815	1
3	Vane-Pre-Rotation	064-18781	9	064-18781	9
4	Washer	064-10819	9	064-10819	9
5	Arm-Vane	064-10818	9	064-10818	9
6	Washer-Special	064-09289	9	064-09289	9
7	Scr, Cap 12 Ft, 5/8-18 X 2-3/4 Lg.	021-11956	9	021-11956	9
8	Screw-Ball	029-07017	9	029-07017	9
9	Washer	021-11973	10	021-11973	10
10	Nut, Hex; 1/4-28 UNF 3B	021-12943	9	021-12943	9



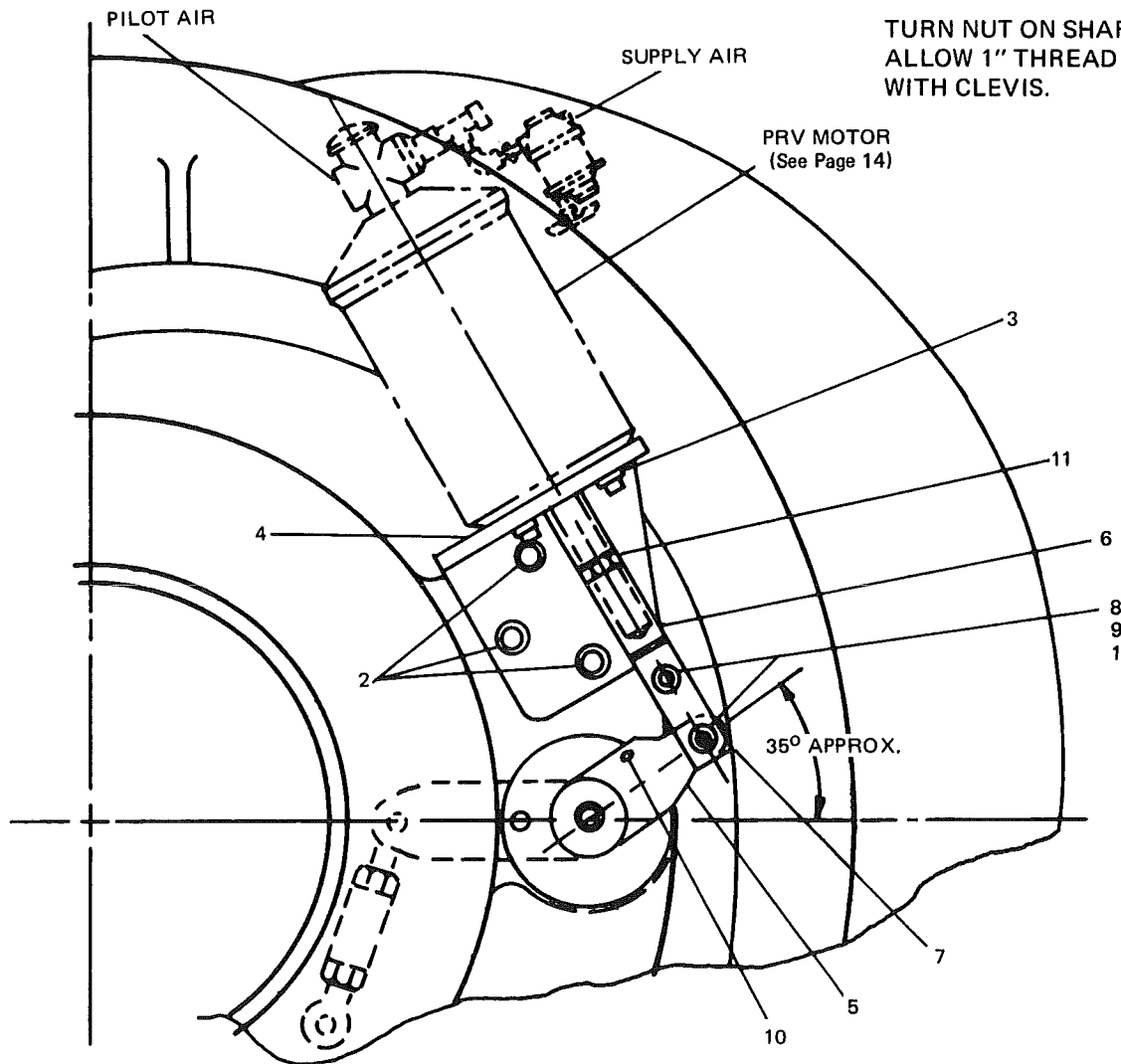
Item	Description	Quan.	Part No.
1	Bracket, Mounting P.R.V. Motor	1	064-39185
2	Lever, P.R.V. External	1	364-28252
3	Link, External P.R.V. Motor	1	064-39186
4	Link, External P.R.V. Motor	1	064-28237
5	Lever, P.R.V. Motor	1	064-39187
6	Screw, Cap 12 Pt. Hd. 3/8-16 X 1-1/8 Lg.	6	021-11148
7	Screw, Cap Hex. Hd. 1/4-20 X 1 Lg.	2	021-11914
8	Bolt, Shoulder 1/4-20 X 1-5/8 Lg.	1	064-28286
9	Screw, Set Hex. Soc. #10-24 X 3/8 Lg.	1	021-03910
10	Bolt, Shoulder 1/4-20 X 1-3/8 Lg.	1	064-28262
11	Nut, Hex 1/4-20 UNC	6	021-00450
12	Washer, Plain 9/32 I.D.	6	021-05165
13	Lockwasher, Spring 1/4	2	021-05267
14	Ring, Fill	1	064-29258
15	Sealer, Grade CV	.010	013-01678

NOTE: VIEW SHOWING LINKAGE IN CLOSED POSITION.
VANES MUST BE FULLY CLOSED WHEN MOTOR IS AT ITS
CCW STOP (FACING CRANK ARM END) POSITION. VANE
MUST TRAVEL TO OPEN OR BEYOND AT THE EXTREME
CW MOTOR POSITION.

FIG. 8— PRV PNEUMATIC EXTERNAL LINKAGE

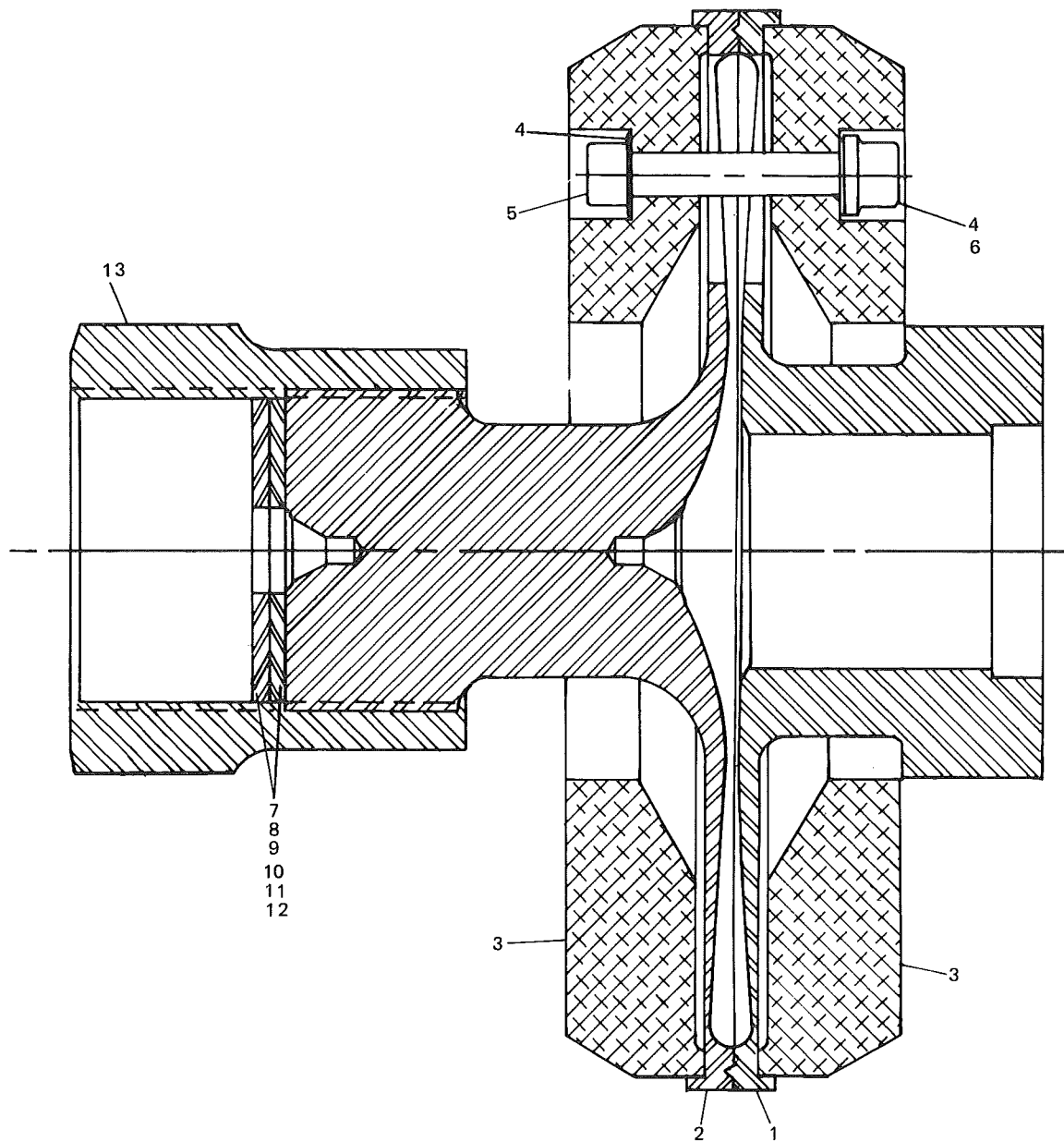
VANES & MOTOR ARE TO BE IN CLOSED POSITION WHEN ASSEMBLING.

TURN NUT ON SHAFT TO ALLOW 1" THREAD ENGAGEMENT WITH CLEVIS.



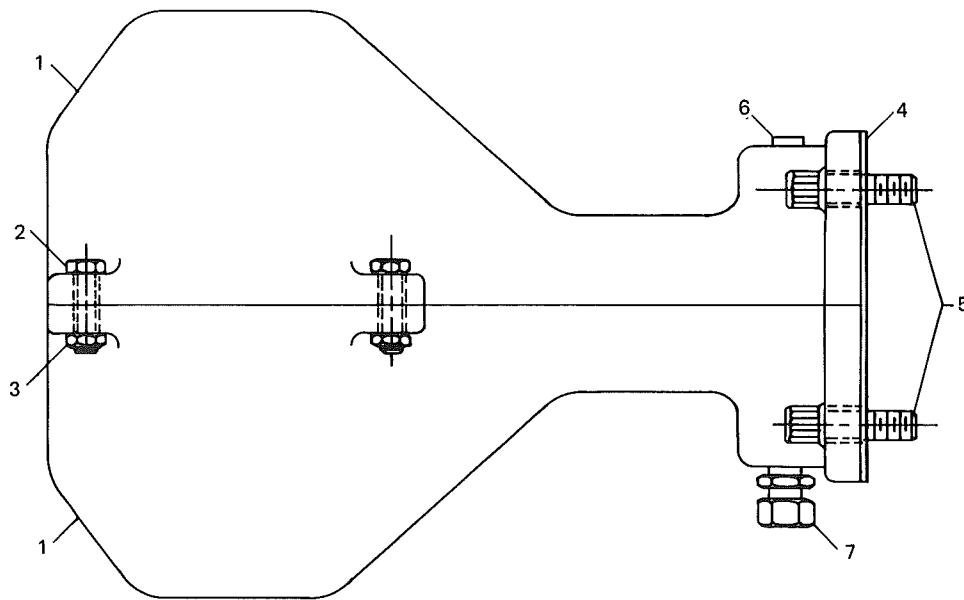
Item	Description	Quan.	Part No.
1	Cot. Pin 3/32 Dia. X 3/4 Lg.	4	021-01083
2	Screw Cap 12 Pt. Hd. 3/8-16 UNC-3A X 1-3/8 Lg.	3	021-11986
3	Screw Cap 12 Pt. Hd. 3/8-16 UNC X 3A X 1-1/4 Lg.	4	021-11141
4	Bracket, Mounting	1	064-27596
5	Lever	1	064-25791
6	Clevis	1	064-07125
7	Link	2	064-25792
8	Pin 3/8 Dia. X 1-1/2 Lg.	2	064-07127
9	Washer, 13/32 I.D. X 13/16 O.D.	4	021-01274
10	Pin Insert 3/32 Dia. X 1-1/8 Lg.	1	029-05900
11	Nut, Hex, Heavy 5/8-18UNF	1	021-07787

FIG. 9—PRV ELECTRONIC EXTERNAL LINKAGE



Item	Description	Quan.	60 Cycle 1-7/8-Coupling Part No.	50 Cycle 2-1/2 X 1-7/8-Coupling Part No.
	Complete Coupling Assembly		364-24655	364-29693
1	Hub, Compressor	1	064-14386	064-13862
2	Hub, Driver	1	064-14389	064-29691
3	Ring, Clamp	2	064-24651	064-24652
4	Washer, Coupling	10	064-13865	064-13834
5	Screw, Soc.	5	021-13191	021-11662
6	Nut	5	021-11675	021-10260
7	Spacer .105 Thk.	1	064-14395-001	064-14395-001
8	Spacer .110 Thk.	1	064-14395-002	064-14395-002
9	Spacer .115 Thk.	1	064-14395-003	064-14395-003
10	Spacer .120 Thk.	1	064-14395-004	064-14395-004
11	Spacer .130 Thk.	1	064-14395-005	064-14395-005
12	Spacer .150 Thk.	1	064-14396-006	064-14395-006
13	Nut 12 Pt.	1	064-14392	064-14392

FIG. 10— YORK-FLEX COUPLING PARTS



Item	Description	Quan.	60 Cycle 1-7/8-Coupling Part No.	50 Cycle 2-1/2 X 1-7/8-Coupling Part No.
1	Complete Coupling Guard Assembly		364-33575	364-33579
2	Guard, Coupling	2	364-23999	064-29692
3	Screw, Cap Hex Hd. 1/4-20 UNC 3 X 3/4 Lg.	4	021-01379	021-01379
4	Nut, Hex 1/4-20 UNC	4	021-00450	021-00450
5	Gasket	1	064-22745	064-22745
6	Screw, Cap 12 Pt. Hd. 3/8-16 X 3/4 Lg.	4	021-12120	021-12120
7	Plug, Pipe 1/8 MPT CTS'K.	1	023-01970	023-01970
	Connector, 1/4 Tube X 1/8 MPT	1	023-07151	023-07151

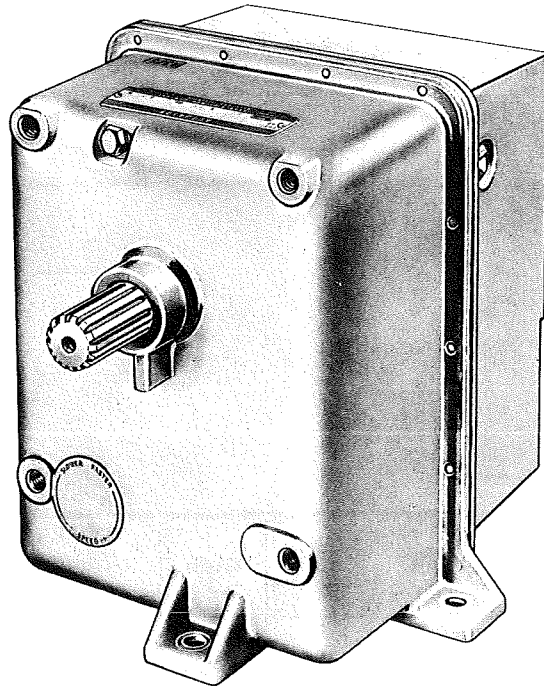
FIG. 11-- YORK-FLEX COUPLING GUARD PARTS

KC GEAR SETS

Gear Set Line No.	Gear Code	Gear Part No.	Pinion Part No.
750	UA	029-17741-001	029-17740-001
751	UB	029-17741-002	029-17740-002
752	UC	029-17741-003	029-17740-003
753	UD	029-17741-004	029-17740-004
754	UE	029-17741-005	029-17740-005
755	UF	029-17741-006	029-17740-006
756	UG	029-17741-007	029-17740-007
757	UH	029-17741-008	029-17740-008
758	UJ	029-17741-009	029-17740-009
759	UK	029-17741-010	029-17740-010
760	UL	029-17741-011	029-17740-011
761	UM	029-17741-012	029-17740-012
762	UN	029-17741-013	029-17740-013
763	UP	029-17741-014	029-17740-014
764	UQ	029-17741-015	029-17740-015
765	UR	029-17741-016	029-17740-016
766	US	029-17741-017	029-17740-017
767	UT	029-17741-018	029-17740-018
768	UU	029-17741-019	029-17740-019
769	UV	029-17741-020	029-17740-020

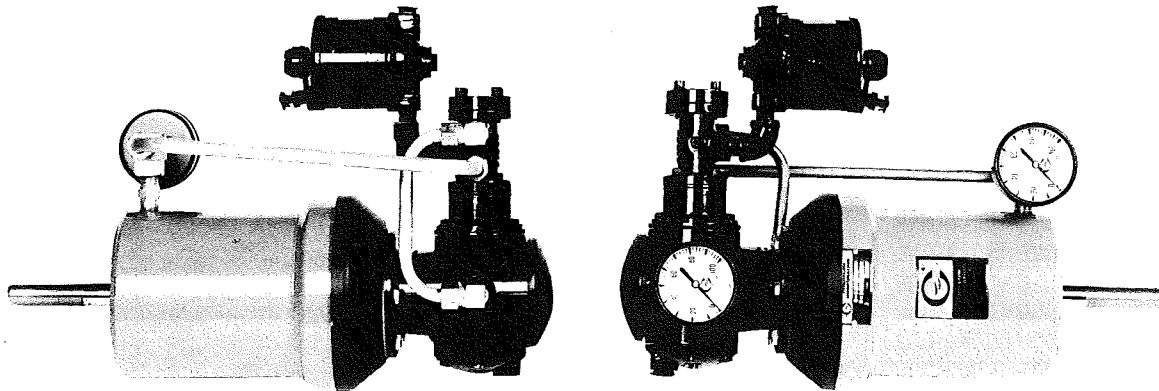
Gear Set Line No.	Gear Code	Gear Part No.	Pinion Part No.
770	UW	029-17741-021	029-17740-021
771	UX	029-17741-022	029-17740-022
772	UY	029-17741-023	029-17740-023
773	UZ	029-17741-024	029-17740-024
774	VA	029-17741-025	029-17740-025
775	VB	029-17741-026	029-17740-026
776	VC	029-17741-027	029-17740-027
777	VD	029-17741-028	029-17740-028
778	VE	029-17741-029	029-17740-029
779	VF	029-17741-030	029-17740-030
780	VG	029-17741-031	029-17740-031
781	VH	029-17741-032	029-17740-032
782	VJ	029-17741-033	029-17740-033
783	VK	029-17741-034	029-17740-034
784	VL	029-17741-035	029-17740-035
785	VM	029-17741-036	029-17740-036
786	VN	029-17741-037	029-17740-037
787	VP	029-17741-038	029-17740-038
788	VQ	029-17741-039	029-17740-039
789	VR	029-17741-040	029-17740-040

PRV-ELECTRIC MOTOR ACTUATORS



Compr. Model	Part No.	Quan.
LKC-65	025-18411	1
LKC-73	025-18411	1

FIG. 12— ELECTRIC MOTOR ACTUATORS



Compr. Model	Part No.	Quan.
LKC-65	024-09425	1
LKC-73	024-09425	1

FIG. 13— PRV – AIR OPERATED (PNEUMATIC) POSITIONERS

COMPRESSORS

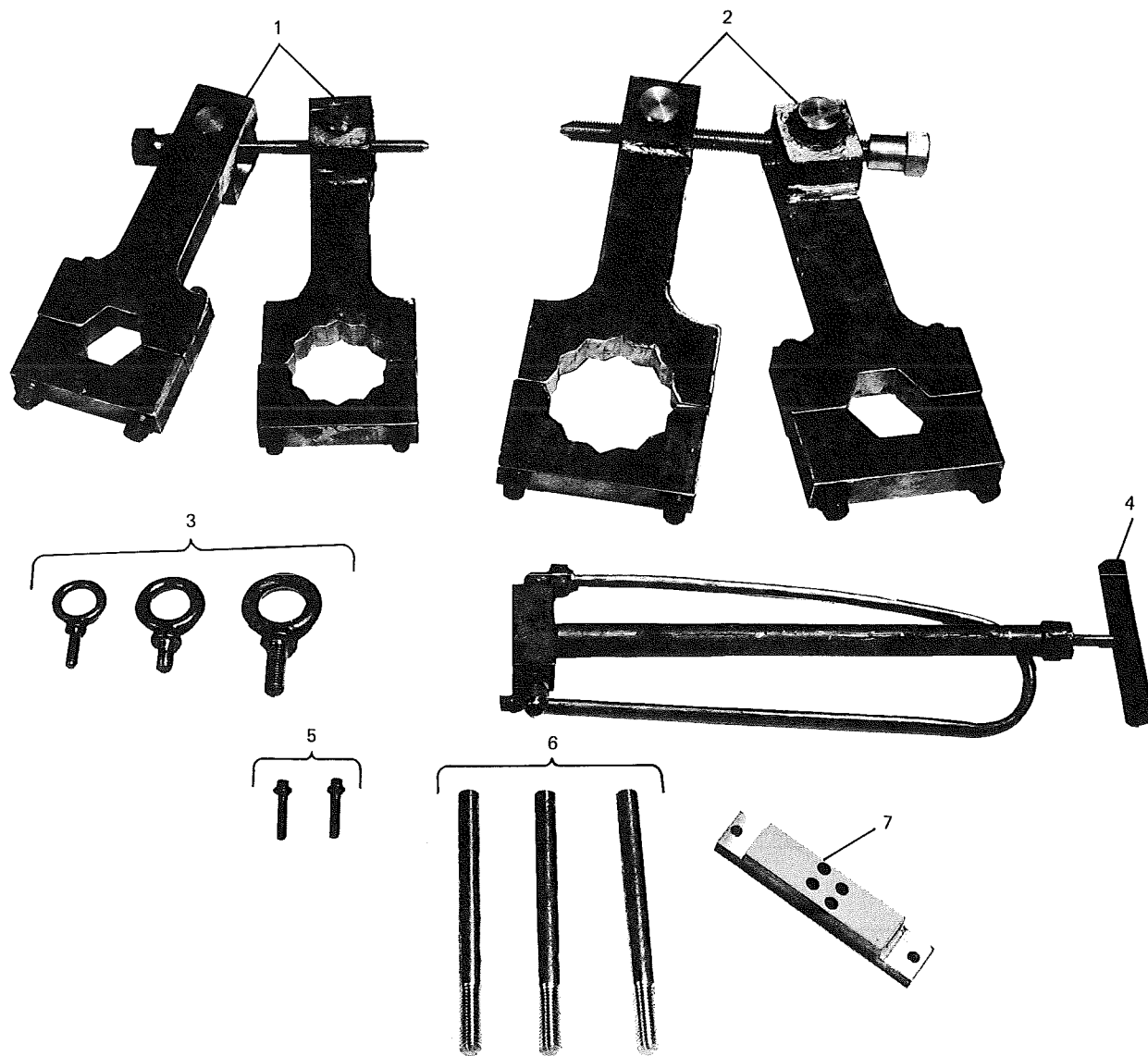
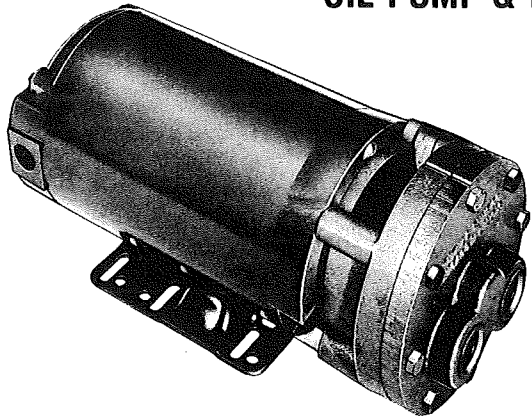


FIG. 14 — COMPRESSOR TOOLS FOR MODELS LKC65 & LKC73

Item	Tool Description	Quan.	Tool Kit for 60 Cycle	Tool Kit for 50 Cycle
	Complete Tool Kit	1	464-27541	464-29700
1	Wrench, Coupling 1-7/8	1	364-14916	364-14916
2	Wrench, Coupling 2-1/2	1	—	364-13875
3	Eyebolts,			
	1/2"	1	021-00306	021-00306
	3/8"	1	021-13498	021-13498
	5/8"	1	021-12366	021-12366
4	Pump, Hand Oil	1	470-10654	470-10654
5	Screw, Cap 12 Pt. Hd. 5/16—18UNC—2A X 1-3/8 Lg.	2	021-12465	021-12465
6	Guide Studs 5/8" X 7-1/2" Lg.	3	064-06798	064-06798
7	Tool, H.S. Shaft Locking 1" thk. X 1-1/4" X 6-1/2"	1	064-27542	064-27542

OIL PUMP & MOTOR ASSEMBLIES



OIL PUMP SEAL KIT — Part No. 026-20340

OIL PUMP HOUSING O-RING — Part No. 028-09577

Voltage	Complete Motor & Pump Assembly			Replacement Motors			Replacement Oil Pumps
	Part No. Standard (Nema 1)	Part No. Nema 4 & 7	Part No. TEFC	Part No. Standard (Nema 1)	Part No. Nema 6 & 7	Part No. TEFC	Part No.
208-3-60	026-20166			024-18565			026-20341
220/440, 230/460, 240/480-3-60	026-20165	026-20940	026-20170	024-18562	024-18564	024-18563	026-20341
550/575/600-3-60	026-20167			024-18566			026-20341
190/380-3-50	026-20168	026-20941	026-20171	024-18567	024-18569	024-18568	026-20341
415-3-50	026-20169	026-20908		024-18570			026-20341

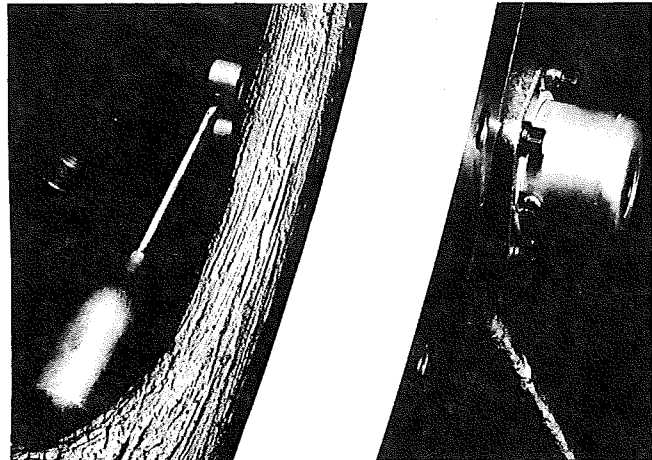
FIG. 15 — OIL PUMP & MOTOR ASSEMBLY

CONTROLS

Description	Part No.	Quan.
High Oil Temperature (Hot)	025-15381-003	1
High Discharge Temperature Control (HDTC)	025-15381-002	1

OIL HEATERS

Watts	Volts	NEMA	Part No.
1500	120	1	025-17700
1500	240	1	025-17787
1500	120	4 & 7	025-17701
2500	120	4 & 7	025-16703
2500	480	4 & 7	025-15977
2500	277	1	025-16212
2500	480	1	025-16298
2500	550	1	025-16950-900
2500	120	1	025-16137



FLOAT SWITCH OIL RETURN

Part No.

025-19856

LUBRICANTS, OILS AND COMPOUNDS

Description	Part No.
Thread Compound, Air High Pressure—1/4 Pt. Can	464-14934
Coating Lubricant-Molykote, Type Z—2 Oz. Can	364-21508
Oil, York Refrigeration-Type B,—5 Gal. Can	011-00309



36USC380