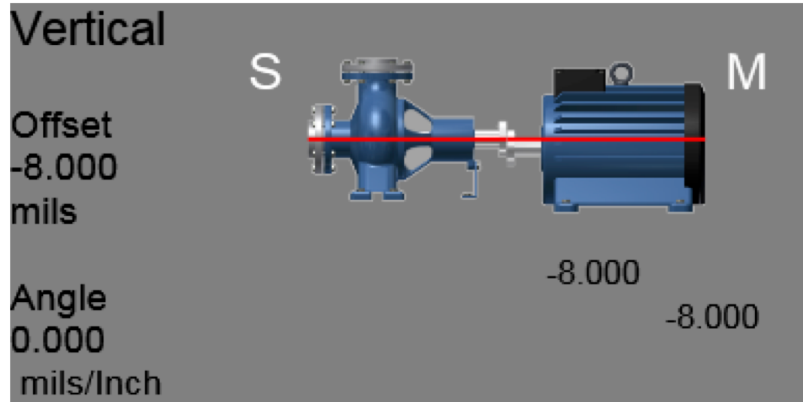


Result Vertical

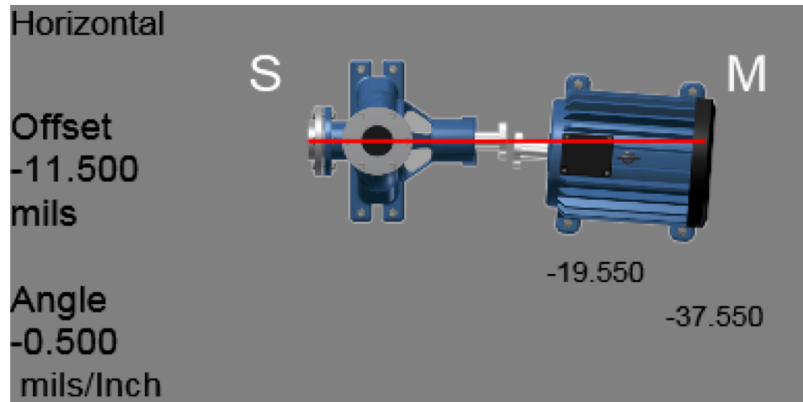
Result		Within tolerance
Offset	-8.000 mils	NO
Angle	0.000 mils/Inch	YES

Feet values	(mils)
MF1	-8.000
MF2	-8.000


Result Horizontal

Result		Within tolerance
Offset	-11.500 mils	NO
Angle	-0.500 mils/Inch	YES

Feet values	(mils)
MF1	-19.550
MF2	-37.550


Notes:

All readings are pre-adjustment.
 12/13/2017 - Motor was moved Hozitonally by jacking bolts & brought into tolerance for Horizontal Offset.
 This will be verified and recorded when the Vertical Offset is adjusted.

 Date: 12/14/17

Sign: _____