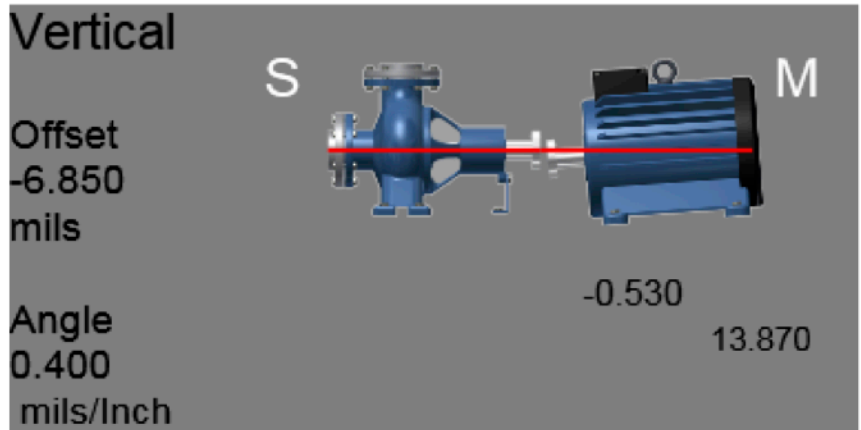


Result Vertical

Result		Within tolerance
Offset	-6.850 mils	NO
Angle	0.400 mils/Inch	YES

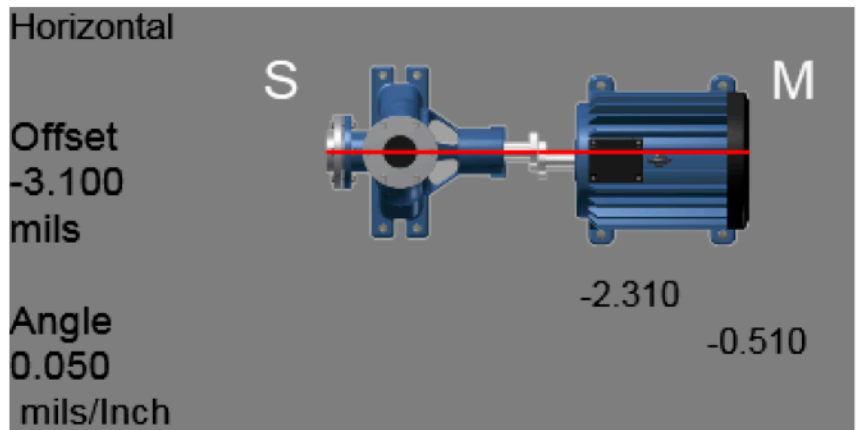
Feet values	(mils)
MF1	-0.530
MF2	13.870



Result Horizontal

Result		Within tolerance
Offset	-3.100 mils	YES
Angle	0.050 mils/Inch	YES

Feet values	(mils)
MF1	-19.550
MF2	-37.550



Notes:

All readings are pre-adjustment.

Date: 3/26/2018

Sign: _____