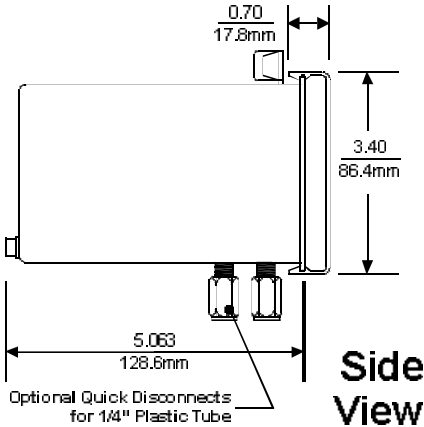
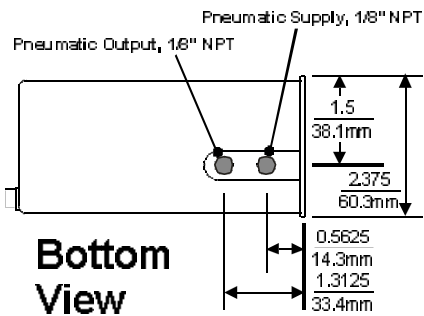


Front View



Side View



Bottom View



FACTORY MUTUAL RESEARCH CORPORATION approved Intrinsically Safe Class I, Division I, Groups A, B, C, D. per entity requirements. 4-20mA in put units only.



CANADIAN STANDARDS ASSOCIATION approved Intrinsically Safe Class I, Groups A, B, C, D Temp Code 3 when connected to CSA certified barriers. 4-20mA in put units only.

IMPORTANT: Before installation, refer to CPT2000 Installation Manual MA44-2300-00. All wiring must be made in accordance with all local and national codes.



Thermo Brandt

A Thermo Electron business

Thermo Brandt Instruments, Inc.

P.O. Box 1190, 3333 Airpark Road
Fuquay, North Carolina 27526 U.S.A.

Tele phone: (919) 552-9011 Fac sim ile: (919) 552-9716

www.thermibrandt.com

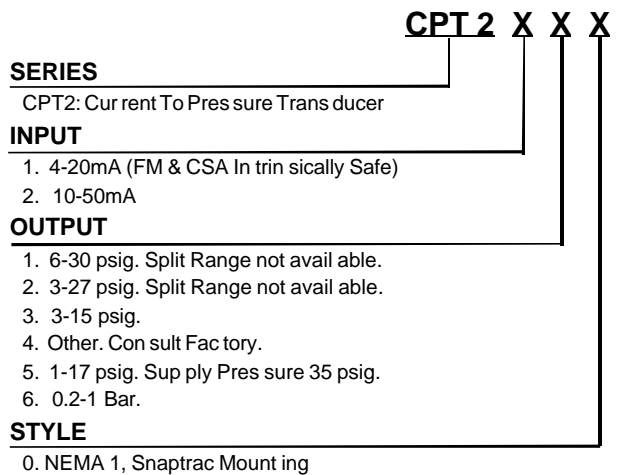
MD44-2000-00, OCTOBER 2001 All Specifications Subject To Change Without Notice.

CPT2000 Series

Current To Pressure Transducer

- Accuracy $\pm 0.25\%$ of Span.
- Utilizes Patented and Field Proven "E-Pi" Transducer Technology.
- Low Air / Power Consumption.
- Immune to Shock, Vibration and Mounting Position.
- Field Selectable Direct, Reverse and/or Split Range.
- Factory Mutual and CSA approved Intrinsically Safe 4-20mA In put.
- Snaptrac Mounting for Wall or Panel Mounting Applications.

Model Number Description



PERFORMANCE SPECIFICATIONS

Input:	4-20 mAdc or 10-50 mAdc.
Output:	3-15 psig (0.2 - 1.0 bar) 3-27 psig, 6-30 psig, 1-17psig.
Accuracy:	$\pm 0.25\%$ of Span (includes linearity, hysteresis, and repeatability per ISA 51.1).
Repeatability:	$\pm 0.05\%$ of Span.
Deadband:	$\pm 0.02\%$ of Span.
Stability:	0.5% of Span / 6 Months.
Air Consumption:	0.04 SCFM avg. at steady state, 0.06 SCFM max.
Output Capacity:	4.5 SCFM (Supply Pressure 35 psig. Exhaust characteristics are balanced within $\pm 10\%$).

FUNCTIONAL SPECIFICATIONS

Vibration Effect:	Less than 0.25% from 1-200 Hz/1g.
Position Effect:	Not Measurable.
Frequency Response:	-3db at 10Hz (ISA S26 4.3.1 Conf. A).
Loop Load:	3.8 Vdc + 5 ohms (195 ohms @ 20mA).
Operating Current:	3.7mA minimum, 200mA maximum continuous @ 120°F. Half-cycle 70 amps 1/120 sec. at 68°F.
Supply Pressure:	Min. 3 psig and Max. 10 psig above maximum calibrated output. Supply Pressure effect is not measurable.
Operating Temperature:	-40°F to +150°F (-40°C to 66°C).
Temperature Effect:	$\pm 0.02\%/^{\circ}\text{F}$ of Span (Range 0 to 150°F). $\pm 0.04\%/^{\circ}\text{F}$ of Span (Range -40 to 150°F).
Operational Modes:	Field Selectable Direct, Reverse and/or Split Range.
Failure Mode:	Mechanically Direct. If in put current drops below 3.7mA dc the output will drop to 1 to 2 psig regardless of direct or reverse mode selection.

PHYSICAL SPECIFICATIONS

Enclosure:	In ternally purged NEMA 1.
Connections:	Sup ply Ports: 1/8" NPTF (1X). Pneumatic Out put Ports: 1/4" NPTF (1X). Electrical: Screw Terminal.
Weight:	2 pounds (1 Kg).