

NOTES TO SHOP :

30. PIPING ASSEMBLIES FABRICATED BY YORK AND SHIPPED LOOSE FOR FIELD ASSEMBLY.

31. FABRICATE AND INSPECT EACH ASSEMBLY. SEE 099-02818C FOR WELDING PROCEDURES.

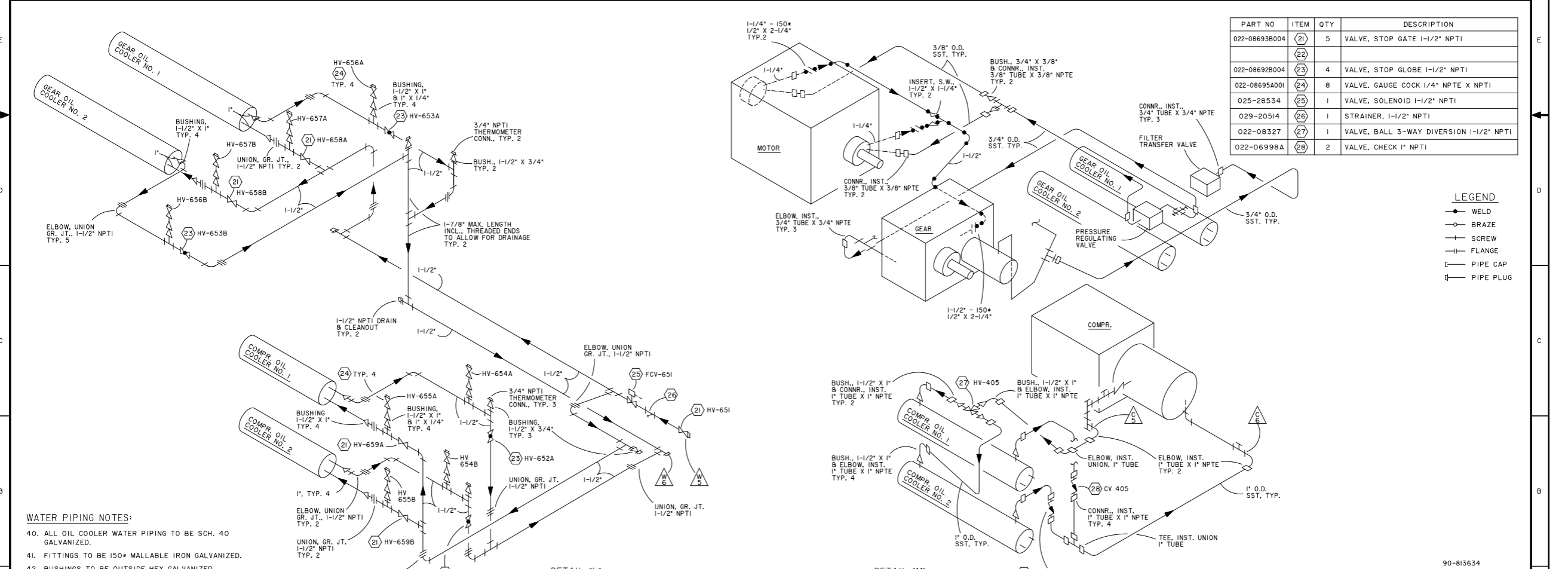
32. BLAST INSIDE OF PIPE SUB-ASSEMBLIES PER M-419, PARA 3.4 AND PRIME OUTSIDE PER YORK DWG. 076-73847A. CLOSE PER YORK DRAWING 376-67696B.

APPLY RUST PREVENTATIVE STRIPS ITEM 36 ALONG INSIDE SURFACE. END TO END LENGTH OF CONN. WRAP A PORTION OVER THE EDGE AT EACH END SO SHIPPING CLOSURE WILL HOLD IT IN PLACE. CLOSURES, STRIPS, GSKT'S. & HARDWARE ARE PROVIDED ON B.M. 376-73781-002.

33. ITEMS SHOWN THUS 2 APPEAR ON B.M. 376-73781-002.

34. FLANGE BOLT HOLES SHALL STRADDLE C/S.

35. TAG EACH PIPE CONN. ASSEMBLY FOR SHIPMENT



PART NO	ITEM	QTY	DESCRIPTION
022-086938004	(21)	5	VALVE, STOP GATE 1-1/2" NPTI
	(22)		
022-086928004	(23)	4	VALVE, STOP GLOBE 1-1/2" NPTI
022-08695A001	(24)	8	VALVE, GAUGE COCK 1/4" NPT X NPTI
025-28534	(25)	1	VALVE, SOLENOID 1-1/2" NPTI
029-20514	(26)	1	STRAINER, 1-1/2" NPTI
022-08327	(27)	1	VALVE, BALL 3-WAY DIVERSION 1-1/2" NPTI
022-06998A	(28)	2	VALVE, CHECK 1" NPTI

REV. LEV.	DATE	REVISION RECORD	CHG. NO.	DR.	CK.	REV. LEV.	DATE	REVISION RECORD	CHG. NO.	DR.	CK.	REV. LEV.	DATE	REVISION RECORD	CHG. NO.	DR.	CK.	REV. LEV.	DATE	REVISION RECORD	CHG. NO.	DR.	CK.
A	12-3-90	ADDED SHEET 3		MEB	WDH																		
B	1-30-91	COMPLETED PIPING DETAILS "L" & "M".	0597	WDH	MEB																		
C	2-20-91	CLARIFIED NOTES, FOR SHOP, AT F-2	0186	MEB	MEB																		
D	4-28-91	SEE SHT. 2 FOR REV.	0205	MEB	MEB																		

90-813634

YORK INTERNATIONAL CORPORATION
YORK, PA. 17405

DIMENSIONS ARE IN INCHES
DO NOT SCALE
TOLERANCES PER ENG. STD. M-282
WELDING PER ENG. STD. M-30
REF. DWG.

UNIT
TURBOMASTER
OM-3000
REFRIGERANT-134a

MATERIAL
TYPE _____ ENG. STD. _____
PART NO. _____
CUT SIZE _____

NAME DATE SIZE CAGE NO. DRAWING NUMBER
DR. M.E. BAUGHMAN 11-30-90 E 66935 076-73781-000
APPR. W.D. HOPKINS 12-3-90
SCALE: N.T.S.

WT. = LBS. ORIG. NO. 076-73781E SHEET 3 OF 3

05-26-98 16:50 7 6 5 4 3 2 CS.90-813634.UNIT.076-73781E.SHT3