



## 7400 Series Spin-On Filter Assemblies

### Description

#### Features

- ▶ Flows to 125 L/min (35 US gpm)
- ▶ Pressures to 17 bard (250 psid)
- ▶ Port size 1"
- ▶ Spin on cannister
- ▶ Ultipor® III filter medium pack
- ▶ Out-to-in filter element flow path



#### Please Note:

The 7400 Series is a Preferred Product Line utilizing Ultipor® III filter medium. Please See Ordering Information for available options

All replacement filter elements, differential pressure indicators and sealkits remain available for this series. See 'Ordering Information' tab above for details of spares.

### Specifications

#### Maximum Acceptable Working Pressure:

250 psi (17 bar)

#### Fatigue Pressure Rating:

250 psi (17 bar)  
(60,000 cycles 0-250 psi)

#### Typical Burst Pressure:

400 psi (28 bar)

#### Temperature Range:

Nitrile seals -20°F to 225°F (-29°C to 107°C)  
Fluorocarbon seals -20°F to 250°F (-29°C to 120°C)  
140°F (60°C) maximum in HWCF or water-glycol fluids

#### Dry Weights:

R length– 4 lbs. (1.8 kg)  
S length– 4.6 lbs. (2.1 kg)

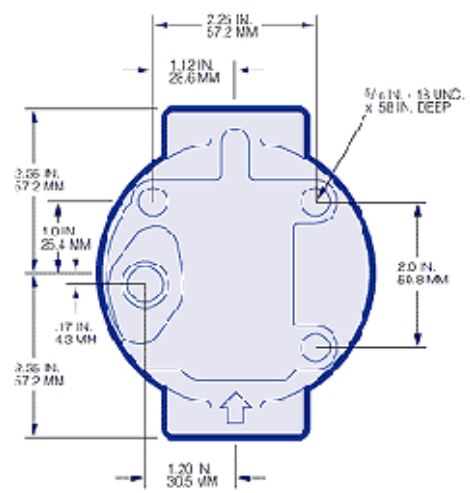
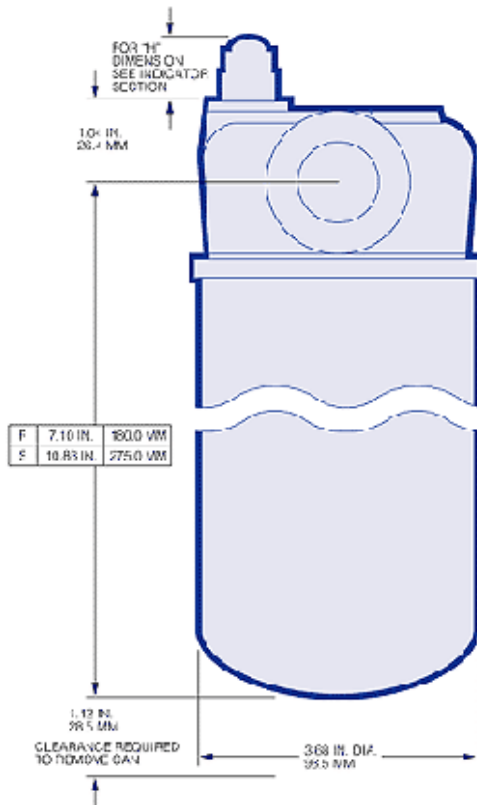
#### Filter Element Collapse Pressure:

7400 series–100 psid (7 bar)

#### Caution:

100 psi (7 bar) maximum for 7400 Series non-bypass valve options (prevents possible filter element collapse)

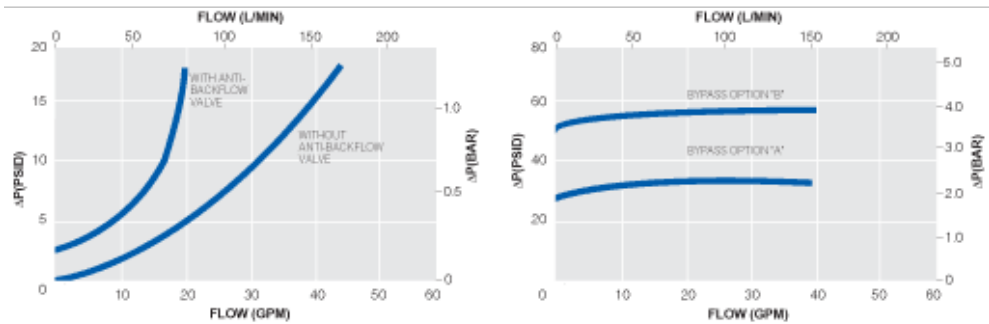
#### Dimensional Drawings



## Performance

**Figure 1. Housing Pressure Drop using fluid with 0.9 S.G.** Housing Pressure drop is directly proportional to specific gravity.

**Figure 2. Bypass Valve Pressure Drop using fluid with 0.9 S.G.** Bypass valve pressure drops are directly proportional to specific gravity.



## Element Pressure Drop Factor

Multiply actual flow rate times factor to determine pressure drop with fluid at 150 SUS (32 cSt), 0.9 S.G. Correct for other viscosities by multiplying new viscosity in SUS/150 x new S.G./0.9.

7400 Series Element $\Delta P$ factor (psid/gpm)					
Length	KZ	KP	KN	KS	KT
4"	0.82	0.36	0.30	0.22	0.15
8"	0.43	0.19	0.15	0.12	

## Ordering Information

Please select only from the following list of standard filter housing options.

### Available 7400 Series Options

---

HH7400A16 A1  
HH7400A16 B1  
HH7400A16 W1  
HH7400C16 A1  
HH7400C16 B1  
HH7400C16 W1

---

The specification of each filter housing part number is outlined in the tables below.

**Assembly P/N:** H ■ 7400 ■ ■ ■ ■ ■ ■ ■  
Table1 Table2 Table3 Table4 Table5 Table6 Table7

**Element P/N:** HC 7400 S ■ ■ ■  
Table4 Table5 Table1

**Seal Kit P/N:** H7400SK ■  
Table 1

**TABLE 1: SEAL OPTIONS**

Code	Seals
H	Nitrile
Z*	Fluorocarbon

\*Non-standard: available for KP media grade in 4" length only.

**TABLE 2: PORT STYLE OPTIONS**

Code	Port Style
A	SAE J514 straight thread
C	BSP ISO 228 Threads

**TABLE 3: PORT SIZE OPTIONS**

Code	Size
16	1"

**TABLE 4: FILTER ELEMENT OPTIONS**

Code	$\beta_x \geq 200$	$\beta_{x(c)}=1000$
KZ	<1	2.5
KP	3	5
KN	6	7
KS	12	12
KT*	25	22

\* 4" length only.

**TABLE 5: LENGTH OPTIONS\***

Assembly Code	Element Code**
R	4
S	8

\* Use code in second column for element part no.

\*\* Nominal length in inches.

**TABLE 6: BYPASS VALVE OPTIONS**

Code	Description
A	25 psid
B	50 psid
W	Non-bypass

\* ABFV- Anti-backflow valve.

**TABLE 7: DIFFERENTIAL PRESSURE DEVICE OPTIONS**

<b>Code</b>	<b>Description</b>
PM	Visual indicator with thermal lockout
DM	Visual indicator with no thermal lockout
LL	Electrical switch (SPDT) with 6" leads
TL	Electrical switch with DIN connector
ML	'TL' type switch with matching wiring cap
SL	Electrical switch with MS receptacle
PL	Same as PM but with plastic body
DL	Same as DM but with plastic body
1	Machined indicator port with shipping plug

---

## Contact Information

---

© 2014, Pall Corporation, Pall, and other names are trademarks of Pall Corporation.  
® indicates a registered trademark in the USA.