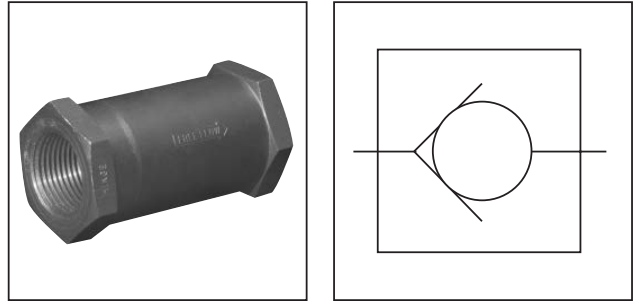


General Description

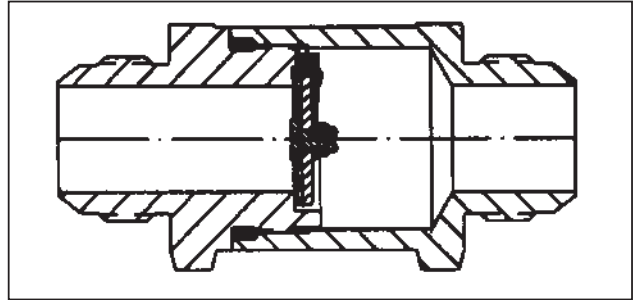
Series 580 and 593 swing check valves permit free flow in one direction, and shut off in the reverse direction with an extremely low internal leakage. Series 580 and 593 check valves will provide low pressure drop.



Features

C

- Zero leakage (less than 1 drop per minute).
- Full flow with low opening pressure.
- Improved hinge controls.
- Mounts in any position.
- MS valves meet the following specifications:
MS28882A or B, MS28884A or B (see chart).



Specifications

Service App.	Hydraulic or Pneumatic	Ports	NPT: Pipe threads FLD: Flared tube connection SAE 37° MS33656 (AND10056) IST: Internal straight threads
Maximum Operating Pressure	Working: Sizes 4 to 16 - 24.2 Bar (350 PSI) Sizes 20 to 32 - 20.7 Bar (300 PSI) Cracking: 8", 0.02 Bar (0.29 PSI) water max.	Material	Body & Cap: Aluminum alloy, anodized Internal Parts: Aluminum alloy, anodized, and Stainless steel Molded Seal: Synthetic rubber O-ring: Synthetic rubber
Operating Temperature	Code 1 -55°C to +71°C (-67°F to +160°F)		
Internal Leakage	Zero		
Sizes	NPT: 1/4", 3/8", 1/2", 3/4", 1", 1 1/4", 1 1/2" IST, FLD: 4", 6", 8", 10", 12", 16"		
Mounting	In-line, mounts in any position		

Valve Size		Weight	CV Factor		
Tube	Pipe		583 Series	588 Series	593 Series
4		2 Oz.	2.5	1.5	1.5
6	1/4	2 Oz.	4.6	3.8	3.8
8	3/8	3 Oz.	7.3	7.1	7.1
10	1/2	3 Oz.	12.0	11.8	11.8
12	3/4	6 Oz.	17.7	17.1	17.1
16	1	8 Oz.	36	35.3	35.3
	1-1/4	14 Oz.	52	58.8	58.8
	1-1/2	1.3 Lbs.	84	82.3	82.3

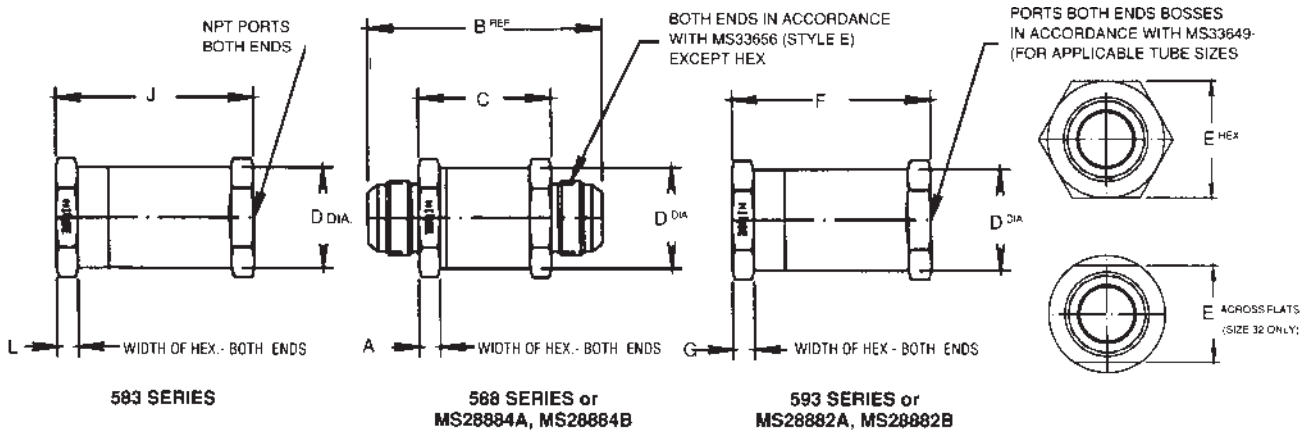
Ordering Information

583		-1/8		D		1		Type Port		MS Number Ref. Only			
Catalog Number		Size and Type Ports		Materials		O-Ring Code		Inlet	Outlet				
583 Inlet NPT Outlet NPT		4 IST or FLD 1/4 NPT		D Aluminum Alloy		1 Nitrile		FLD	FLD	MS28864A - 4D1			
588 Inlet FLD Outlet FLD		6 IST or FLD 3/8 NPT				63 Fluorosilicone Others Available				MS28864A - 6D1		MS28864A - 8D1	
593 Inlet IST Outlet IST		8 IST or FLD 1/2 NPT								MS28864A - 10D1		MS28864A - 12D1	
		10 IST or FLD 3/4 NPT								MS28864A - 16D1			
		12 IST or FLD 1 NPT								MS28864A - 20D1			
		16 IST or FLD 1-1/4 NPT								MS28864A - 24D1			
										MS28864A - 32D1			
		1-1/2 NPT								MS28862A - 4D1			
										MS28862A - 6D1			
										MS28862A - 8D1			
										MS28862A - 10D1			
										MS28862A - 12D1			
										MS28862A - 16D1			
										MS28862A - 20D1			
										MS28862A - 24D1			
										MS28862A - 32D1			



Dimensions

Shown in inches



Valve Size	A	B	C	D	E	F	G	H	J	K	L
Tube	Min.		±.031			±.031	Min.	Max.	±.031	Min.	Min.
Pipe											
4	.125	2.663	1.563	1.032	1.066/1.057	2.031	.250	3/4	1.906	.250	1/4
6		2.675									
8		2.988									
10	.250	3.298	1.782	1.157	1.190/1.181	2.344	.375	1	2.031	—	—
—	—	—	—	1.220	1.253/1.244	—	—	—	2.625	—	5/16
12	.250	3.791	2.063	1.470	1.503/1.494	3.500	.375	1	3.000	.375	1/4
16		4.197	2.375	1.782	1.820/1.796	3.594					
		1-1/4	.312	4.604	2.688	2.470			2.508/2.484		
	1-1/4	.375	5.229	3.063	2.720	2.758/2.734	4.625				