

MANUAL PURGE

In **MANUAL PURGE** operation, although the purge tank solenoid valve and purge pump solenoid valve are automatically controlled, the operator must manually operate the purge pump. Manual purge operation will be enabled whenever:

- an "Auto Purge Failure" warning, "Purge Pump Failure" warning, or 2SOL failure warning occurs in **AUTO TANK** purge mode or
- MANUAL PURGE** mode is selected.

If the purge tank transducer (PT4) or purge pump transducer (PT3) indicates a pressure of <0.0mm HgA continuously for 25 seconds, the following message is displayed:

WARNING – PURGE TRANSDUCER ERROR

To start manual purge:

- Press **PUMP STATUS** keypad key until

PURGE PUMP – OFF – MANUAL PURGE

is displayed. The "Display Hold" feature is automatically engaged.

- Press **MANUAL PUMP** key. The message

PURGE PUMP – ON – MANUAL PURGE

is displayed. The purge pump starts. After 2 minutes, the purge tank solenoid valve (1SOL) and purge pump solenoid valve (2SOL) open.

To stop manual purge:

- Press **PUMP STATUS** key until

PURGE PUMP – ON – MANUAL PURGE

is displayed. The "Display Hold" feature is automatically engaged.

- Press **MANUAL PUMP** key. If the pump has been running less than 2 minutes (purge tank and purge pump solenoid valves not opened yet), the purge pump is turned off and the message

PURGE PUMP – OFF – MANUAL PURGE

is displayed. If the purge pump has been running for greater than 2 minutes, the purge tank solenoid valve (1SOL) and purge pump solenoid valve (2SOL) close. The message

PURGE PUMP VALVE CLOSING

is displayed for 65 seconds and when the 65 seconds elapse, the purge pump is turned off and

PURGE PUMP – OFF – MANUAL PURGE

is displayed. The **MANUAL PURGE** operation is then complete. If the **MANUAL PURGE** operation continued for more than 10 minutes, the 7-day manual purge counter and lifetime total manual purge counter each increment by 1 count.

- Press **DISPLAY HOLD** key. The normal foreground message is displayed.

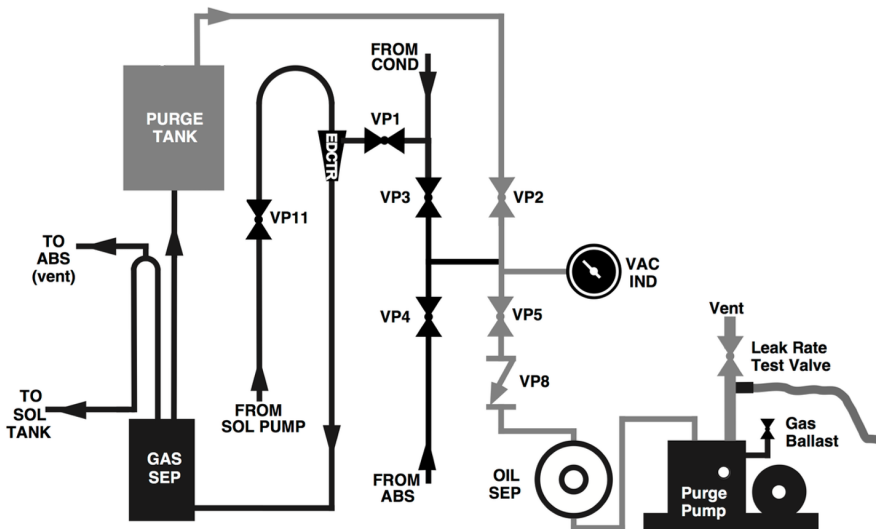


FIG. 23 – MANUALLY PURGING THE PURGE TANK ON G-MODEL UNIT

MANUALLY PURGING THE PURGE TANK ON G-MODEL UNIT

- The Micro-panel should be set to operate in the manual purge mode (Refer to Form 155.17-O2 for details)
- Operate purge pump for 10 minutes to warm up oil with gas ballast open, leak rate valve open and all purge system valves closed. Check that the purge pump is capable of pulling down to at least 3 mm Hg by opening VP5 briefly and reading the purge pump pressure on the vacuum indicator gauge. Close VP5.
- Slowly open valve VP2 to read the purge tank pressure on the vacuum indicator gauge. If the pressure exceeds 30 mm Hg absolute, the purge tank may be purged although it is not necessary unless the tank pressure is equal to or exceeds 60 mm Hg absolute.
- Slowly open valve VP5. Watch the purge tank pressure. When it is lowered to 30 mm Hg absolute, close VP5 and VP2.
- Run purge pump for 10 minutes more to clean up oil.